

INNOMOTICS



Catalog D 84.3 | Edition 12/2024

Innomotics Moves! High Voltage Motors HV M

innomotics.com/high-voltage-motors

The Siemens Businesses **Large Drives Applications** and **Low Voltage Motors** have been transferred to **Innomotics**. The brand change from Siemens to Innomotics is ongoing.

Siemens' or Innomotics' legal information, trademarks or logos contained in product related documents **do not necessarily represent the actual branding** used for the products. Any technical product information remains valid **independently of the brand**.

Orders received as of **August 1, 2024**, will be confirmed exclusively with the product mark "**Innomotics**" regarding the concerned products and services.

Independent of the order date, all ordered products or services with **delivery** dates from **April 1, 2025**, will be delivered with the product mark "Innomotics".

SIEMENS, SIMOTICS, SINAMICS, SIMOGEAR and SIMOTION are registered trademarks of Siemens AG or its affiliated companies whose use by third parties for their own purposes could violate the rights of the respective owner.

INNOMOTICS

INNOMOTICS

Innomotics HV M High Voltage Motors

Catalog D 84.3

12-10-2024 – Version 1.0

Introduction	1
General design	2
Main terminal boxes	3
Auxiliary terminal boxes	4
Bearing design	5
Vibrational behavior	6
Cooling	7
Selection tables	A

Table of contents

1	Introduction	7
1.1	Overview	7
1.2	Configurator	8
1.3	General information about converter operation	10
2	General design	11
2.1	Mounting arrangements	11
2.2	Mechanical degrees of protection	11
2.3	Cooling methods	11
3	Main terminal boxes	12
3.1	General	12
3.2	Cable entry	13
3.3	Standard terminal box 1XA8 711	14
3.4	Standard terminal box 1XD2 313 3AA	15
3.5	Standard terminal box 1XD2 513 3AA	16
3.6	Standard terminal box 1XB9 911	17
3.7	Standard terminal box 1XB9 751	18
3.8	Standard terminal box 1XD1 543	19
3.9	Standard terminal box 1XD1 546-3AA	20
3.10	Standard terminal box 1XD1 566-3AA	21
3.11	Standard terminal box 1XD1 625-3AA	22
3.12	Standard terminal box 1XD1 645-3AA	23
3.13	Standard terminal box 1XF45---3DA	24
3.14	Standard terminal box 1XF46	25
3.15	Standard terminal box 1XD23---6AA	26

3.16	Standard terminal box 1XD25--6AA	27
4	Auxiliary terminal boxes.....	28
4.1	General	28
4.2	Cable entry	30
4.3	Auxiliary terminal box 1XB9 014 – aluminum (option M88).....	31
4.4	Auxiliary terminal box 1XB9 015 – stainless steel (option M51).....	32
4.5	Auxiliary terminal box 1XB9 016 – cast iron (option M50)	33
5	Bearing design	34
5.1	General	34
5.2	Anti-friction bearing.....	36
5.2.1	Common features	36
5.3	Sleeve bearing.....	38
5.3.1	Common features	38
5.3.2	Overview of sleeve bearing availability.....	39
5.3.3	Sleeve bearing special design.....	40
6	Vibrational behavior.....	41
7	Cooling.....	43
7.1	Inner air guidance	43
7.2	External cooling circuit.....	43
7.2.1	Air-air tube bundle heat exchanger (IC611, IP55).....	44
7.2.2	Air-air plate heat exchanger (IC611, IC616, IC666, IP55).....	44
7.2.3	Air-water heat exchanger (IC81W, IP55).....	44
7.2.4	Open circuit cooling (IC01, IP23).....	46
A	Selection tables.....	47

1 Introduction

1.1 Overview

General

The Innomotics HV M series of motors shown in this catalog covers shaft heights up to 710 mm and a power range extending up to 13.6 MW (4-pole, IC81W).

Note

The detailed technical data tables included in Appendix A of this catalog apply to high voltage motors for line operation (DOL) or combination with Innomotics Perfect Harmony converters.

In later catalog editions also the following motor versions and data will be included:

- Shaft heights 800 and 900 mm
 - Low voltage motors
 - Constant torque operation
 - Subcritical operation
 - Detailed mechanical data for vertical motors (IM V1/V10)
-

With the following cooling versions the entire high voltage motor market and all applications in safe area and explosion-protected zones (Zone 1, 2) can be served.

- **Water-cooled:**
IP55, cooling IC81W, IC86W (safe area, Ex ec, Ex p, Ex tc on request)
- **Air-cooled:**
IP55, cooling IC611, IC616, IC666 (safe area, Ex ec, Ex p, Ex tc on request)
- **Open-circuit-cooled:**
IP23, cooling IC01 (safe area, Ex on request)

The Innomotics HV M series has been developed for line (direct-on-line, DOL) and converter (variable-speed drive, VSD) operation. This means that in conjunction with medium voltage Innomotics GH150, GH180, GM150 and SM150 converters and successor products, drive systems are available in a power range up to 31 MW (at 6.6 kV, 50 Hz, 4-pole).

The Innomotics HV M series is also suitable for operation at non-Innomotics converters.

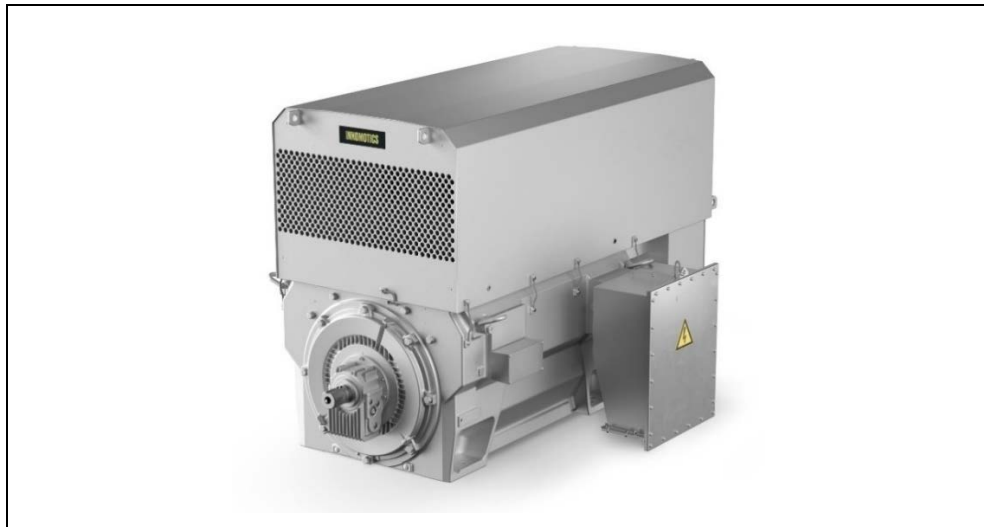


Figure 1-1 Innomotics HV M air-cooled (IC611)

Technical data

Detailed tables including electrical and mechanical data can be found in the Appendix A of this catalog.

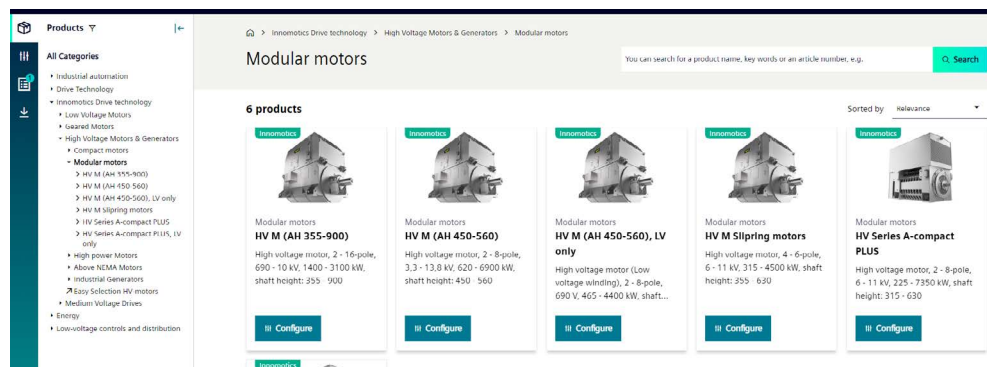
Online updates – Innomotics Portal

You will continue to find current information about the Innomotics HV M motors in the Innomotics Portal:

innomotics.com/hub/en/

1.2 Configurator

Use the **Siemens Product Configurator** tool to get a motor drawing and/or a 3D STEP model (find link below). The quickest way to get a drawing there: Use the direct article number entry on the home page.



Note

Please note, that it is not possible to display all special accessories in standard dimension drawings and tables. Therefore no special terminal boxes, sensors, sleeve bearing monitoring and oil supply equipment etc. are displayed.

If the motor dimensions cannot be found in the Configurator, please contact your Innomotics sales partner for a customized drawing.

You can find the Configurator on the Internet under:

innomotics.com/hub/en/selectionandconfiguration

1.3 General information about converter operation

Speed-adjustable operation of motors in combination with converters can result in increased electric stress of the motor winding. The motor's self-cooling capabilities might be no longer enough to dissipate the heat losses, depending on the load profile and speed range of the converter operation.

Due to the nature of explosion-protected motors and their demand for a defined maximum surface temperature, converter-related thermic effects must be considered.

In the end, some of the motors operating at converters can have the same rating as their direct-on-line counterparts, while others demand for significant derating.

The following factors are influencing the derating factors, amongst others:

- Type of converter
 - Innomotics converters, sinusoidal output voltage
 - Innomotics converters, non-sinusoidal output voltage
 - Non-Innomotics converters
- Load characteristics
 - Square load
 - Constant load
 - Constant power
 - Proportional load
 - others
- Speed range
 - 1:10
 - 1:5
 - 1:3
 - 70 to 100 %
 - 100 to 110 %
 - others
- Utilization of the motor winding
 - 155(F) / 130(B)
 - 155(F) / 155(F)
- Overload cycles
- Voltage level
- Load cycle, reversing torque
- Service factor
- Maximum permissible surface temperature

2 General design

2.1 Mounting arrangements

Types of construction

The motors are supplied as standard in the construction types shown in the following table.

Table 2-1 Construction types of Innomotics HV M motors ¹⁾

Shaft height [mm]	2-pole	4-pole	≥ 6-pole
355 to 400	IM B3 (IM 1001)	IM B3 (IM 1001)	IM B3 (IM 1001)
450 to 560	IM B3 (IM 1001)	IM B3 (IM 1001) IM V1 (IM 3011) ²⁾	IM B3 (IM 1001) IM V1 (IM 3011) ²⁾
630 to 710	IM B3 (IM 1001)	IM B3 (IM 1001)	IM B3 (IM 1001) IM V10 (IM 4011) ²⁾

1) Other versions are available on request.

2) Detailed mechanical data for vertical motors will be provided in a later catalog edition (additional tables in Appendix A).

Construction types are designated according to IEC 60034-7 Code I (Code II).

Canopy for motors, type of construction IM V1

As a standard, safe area motors are not equipped with canopies. Air-cooled motors may require an air inlet silencer (option L20) that functions as a canopy.

2.2 Mechanical degrees of protection

The motors in the anti-friction and sleeve bearing design are available in IP55 degree of protection as standard, marked according to IEC 60034-5.

Higher degrees of protection are available on request.

2.3 Cooling methods

Table 2-2 Innomotics HV cooling methods, marked according to IEC 60034-6

Cooling method	Motor type
IC81W	Air-water cooling with integral fan on motor's shaft inside motor and water cooled heat exchanger
IC86W	Air-water cooling with force ventilation system inside motor and water cooled heat exchanger.
IC611	Air-air cooling with integral fan on motor's shaft inside motor and heat exchanger with open external circuit with fan on motor's shaft.
IC616	Air-air cooling with integral fan on motor's shaft inside motor and heat exchanger with open external circuit with force ventilation.
IC666	Air-air cooling with forced fan system inside motor and heat exchanger with open external circuit with force ventilation.
IC01	Self-ventilated with integral fan cooling. Air is blown through the motor by a fan mounted on the shaft.

3 Main terminal boxes

3.1 General

Terminal box standard placement

Main terminal boxes are mounted on the right side of the motor (looking towards the DE shaft extension) by default (option K09). Alternatively it's possible to switch the main terminal box to the left side (option K10).

The terminal boxes can be subsequently rotated through 90°. In case of collisions with auxiliary terminal boxes, the Innomatics sales partner has to be consulted for a solution.

A neutral point terminal box can be mounted on request. The standard position of the neutral point terminal box is opposite the main terminal box.

For high voltage versions:

When two main terminal boxes are used, they are mounted on the right and left side of the motor as standard. However, it's possible to have two terminal boxes on the same side on request.

For low voltage versions:

Two or more main terminal boxes are used for motors with two or more winding systems. In these cases, they are mounted on the same side of the motor.

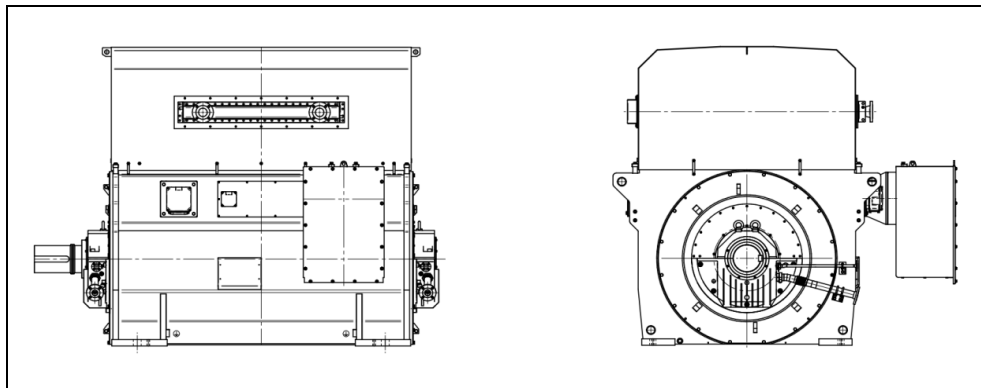


Figure 3-1 Standard terminal box mounting, water-cooled motor IC81W, IM B3

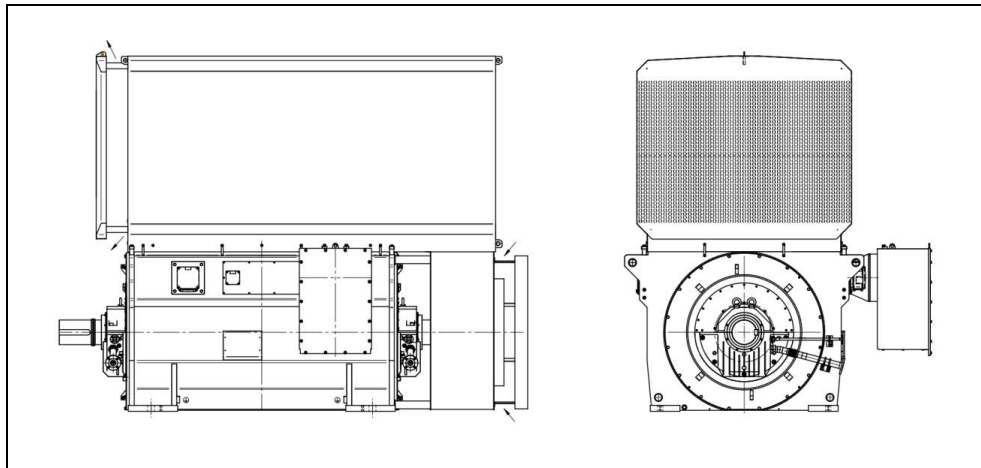


Figure 3-2 Standard terminal box mounting, air-cooled motor IC611, IM B3

Earthing

As standard separate earthing connections (braid) between main terminal box and box adapter are installed.

3.2 Cable entry

On request the main terminal box can be delivered with cable entry plates. If anything special is requested, please provide all necessary data for an offer (manufacturer, type, thread size, cable diameter(s), etc.).

Main cable entry plates for single cables must be of non-magnetic material (brass, stainless steel, aluminum...) to prevent local heating.

As standard, all screws of the main terminal box are made of galvanized steel and coated by the motor's coating system if outside (stainless steel on request).

Note

Information about cables or the thread size for cable glands must be provided prior to an order. If this information is not available, terminal boxes will be delivered with undrilled cable entry plates.

3.3 Standard terminal box 1XA8 711

Features

- 6.6 kV rated voltage up to 400 A
- Three M16 terminals for line connection
- Welded steel design, 42 kg
- Mechanical enclosure IP55, optionally up to IP66
- Short-circuit current 40 kA for 0.2 s
- One cable entry
- Connection using cable lugs (not for motors in explosion-protected versions)
 - For cable cross-sections of 25 to 240 mm² in accordance with DIN 46234
 - For cable cross-sections of 40 to 400 mm² in accordance with DIN 46235
- Connection using clamping lugs for cable cross-sections of 50 to 300 mm² or after rotating the terminal clamp from 120 to 400 mm²
- Internal earthing connection; alternatively with external earthing connection

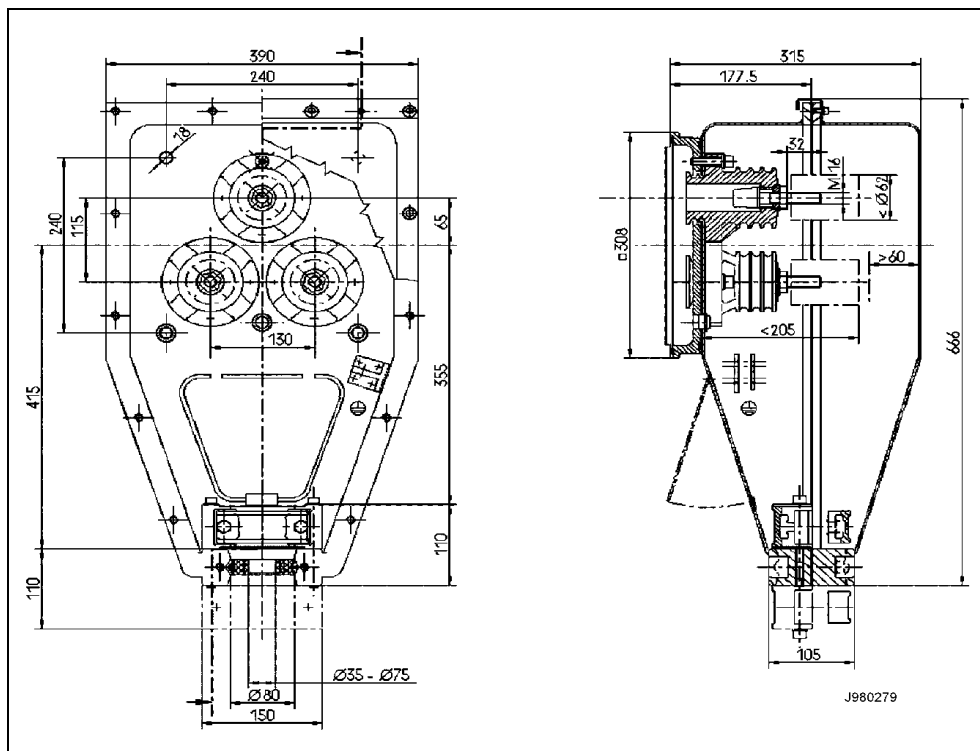


Figure 3-3 Terminal box 1XA8 711

3.4 Standard terminal box 1XD2 313 3AA

Features

- 6.6 kV rated voltage up to 450 A
- Three M16 terminals for line connection
- Welded steel design, 30 kg
- Mechanical enclosure IP55
- Short-circuit current 38.5 kA for 0.2 s
- One cable entry; optionally available for up to three cable entries
- Connection using cable lugs (not for motors in explosion-protected versions)
 - For cable cross-sections of 25 to 240 mm² in accordance with DIN 46234
 - For cable cross-sections of 50 to 300 mm² in accordance with DIN 46235
- External earthing connection
- Ex eb or tb certified versions used for hazardous area motors

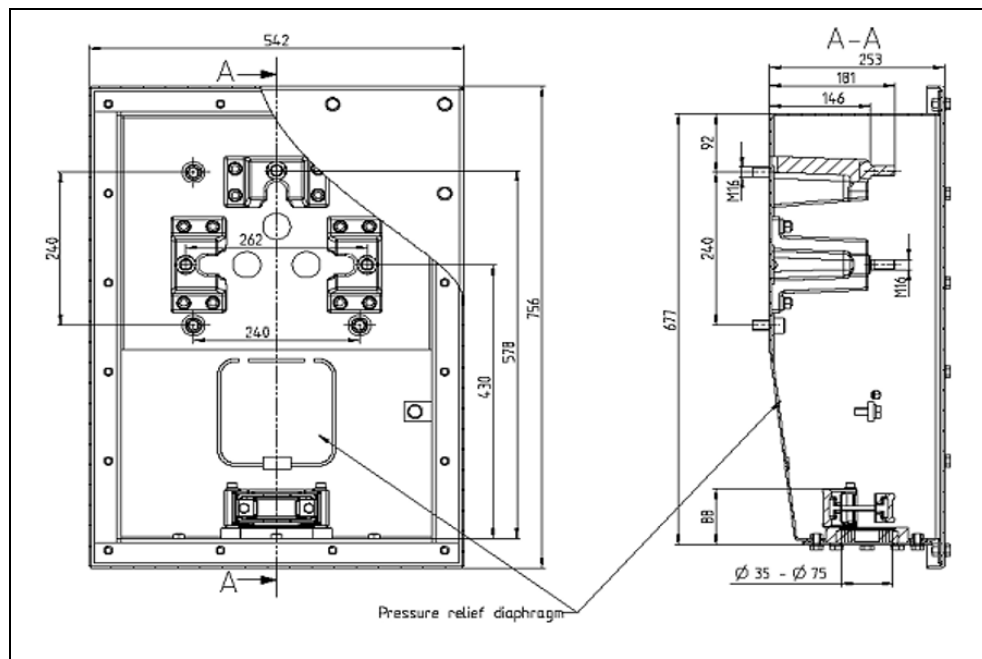


Figure 3-4 Terminal box 1XD2 313 3AA

3.5 Standard terminal box 1XD2 513 3AA

Features

- 11 kV rated voltage up to 450 A
- Three M16 terminals for line connection
- Welded steel design, 50 kg
- Mechanical enclosure IP55
- Short-circuit current 40.5 kA for 0.2 s
- One cable entry; optionally available for up to three cable entries
- Connection using cable lugs (not for motors in explosion-protected versions)
 - For cable cross-sections of 25 to 240 mm² in accordance with DIN 46234
 - For cable cross-sections of 50 to 300 mm² in accordance with DIN 46235
- External earthing connection
- Ex eb or tb certified versions used for hazardous area motors

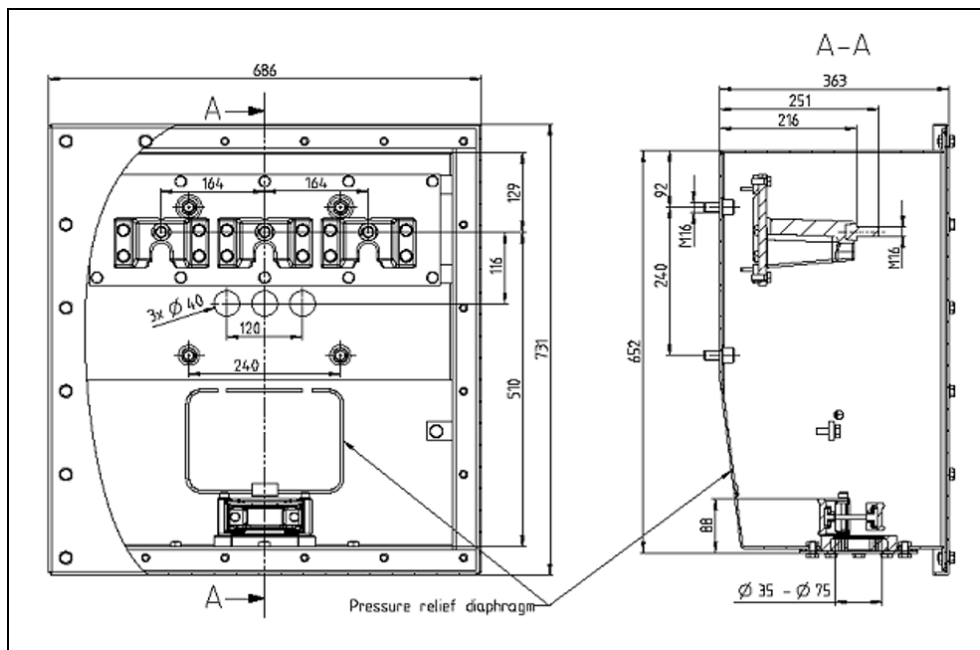


Figure 3-5 Terminal box 1XD2 313 3AA

3.6 Standard terminal box 1XB9 911

Features

- 11 kV rated voltage up to 400 A
- Three M16 terminals for line connection
- Welded steel design, 100 kg
- Mechanical enclosure IP55, optionally up to IP66
- Short-circuit current 45 kA for 0.2s
- One cable entry; optionally available for up to three cable entries
- Connection using cable lugs (not for motors in explosion-protected versions)
 - For cable cross-sections of 25 to 240 mm² in accordance with DIN 46234
 - For cable cross-sections of 40 to 400 mm² in accordance with DIN 46235
- Connection using clamping lugs for cable cross-sections of 50 to 300 mm² or after rotating the terminal clamp, from 120 to 400 mm²
- External earthing connection

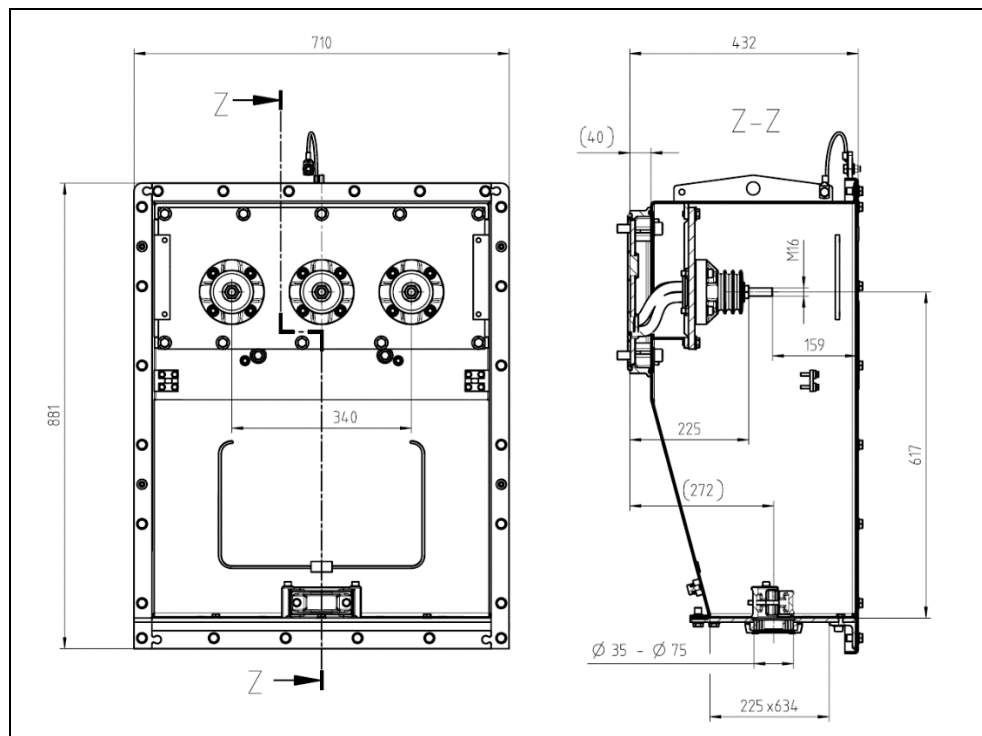


Figure 3-6 Terminal box 1XB9 911

3.7 Standard terminal box 1XB9 751

Features

- Up to 6.6 kV rated voltage, six terminals up to 800 A
- Six M16 terminals for line connection
- Welded steel design, 135 kg
- Mechanical enclosure IP55, optionally up to IP66
- Short-circuit current 44 kA for 0.2s
- Connection using cable lugs (not for motors in explosion-protected versions)
 - For cable cross-sections of 25 to 240 mm² in accordance with DIN 46234
 - For cable cross-sections of 40 to 400 mm² in accordance with DIN 46235
- Connection using clamping lugs for cable cross-sections of 50 to 300 mm² or after rotating the terminal clamp, from 120 to 400 mm²
- External earthing connection

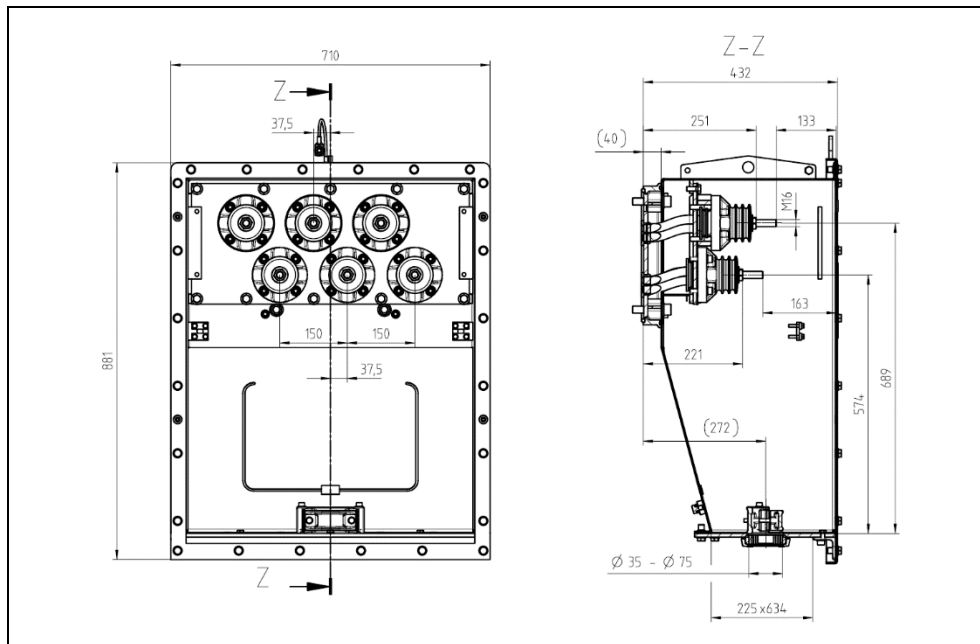


Figure 3-7 Terminal box 1XB9 751

3.8 Standard terminal box 1XD1 543

Features

- Up to 10 kV rated voltage (IEC) or 6.6 kV (NEMA)
- Six terminals up to 1200 A
- Welded steel design
- Mechanical enclosure IP56
- Connection using cable lugs
- For cable cross-sections of 16 to 300 mm² in accordance with DIN 46235 or YA36-2 in accordance with Burndy (US standard)
- External earthing connection

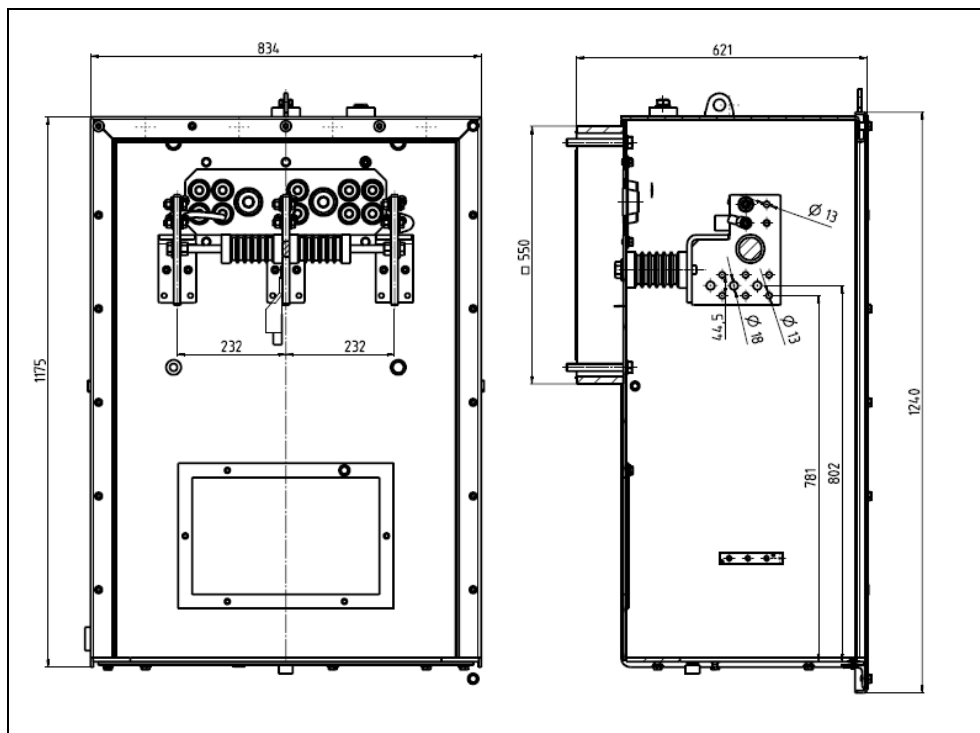


Figure 3-8 Terminal box 1XD1 543

3.9 Standard terminal box 1XD1 546-3AA

Features

- Standard main terminal box up to 11 kV rated voltage, up to 2200 A
- Welded steel design, 155 kg
- Mechanical enclosure IP56
- Ex protection II 3 G Ex ec IIC Gb
- Synthetic stud insulator
- Minimum distance from cable connection to cable entry plate: 600 mm
- Suitable for multicore cable connection
- Connection using cable lugs
 - 6.6 kV: up to 400 mm²
 - 11 kV: up to 300 mm²
- Multicore internal earthing clamp
- External earthing connection

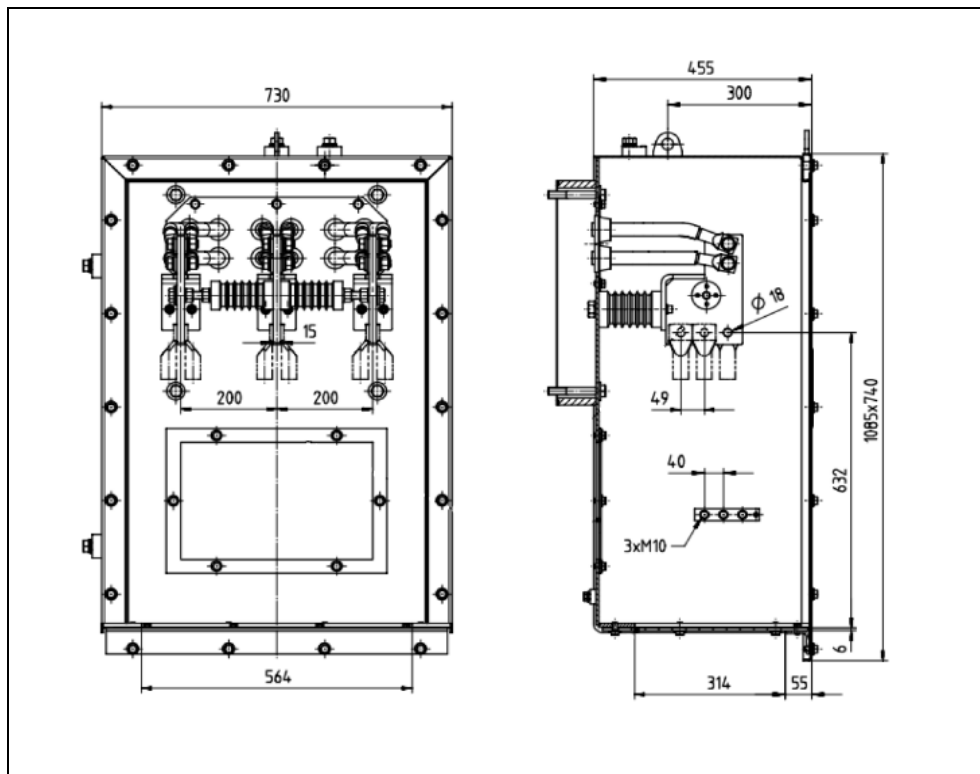


Figure 3-9 Standard terminal box 1XD1 546-3AA

3.10 Standard terminal box 1XD1 566-3AA

Features

- Standard main terminal box up to 11 kV rated voltage, 2200 up to 2750 A (standard conditions)
- Welded steel design, 173 kg
- Mechanical enclosure IP56
- Ex protection II 3 G Ex ec IIC Gb
- Synthetic stud insulator
- Minimum distance from cable connection to cable entry plate: 600 mm
- Suitable for multicore cable connection
- Connection using cable lugs
 - 6.6 kV: up to 400 mm²
 - 11 kV: up to 300 mm²
- Multicore internal earthing clamp
- External earthing connection

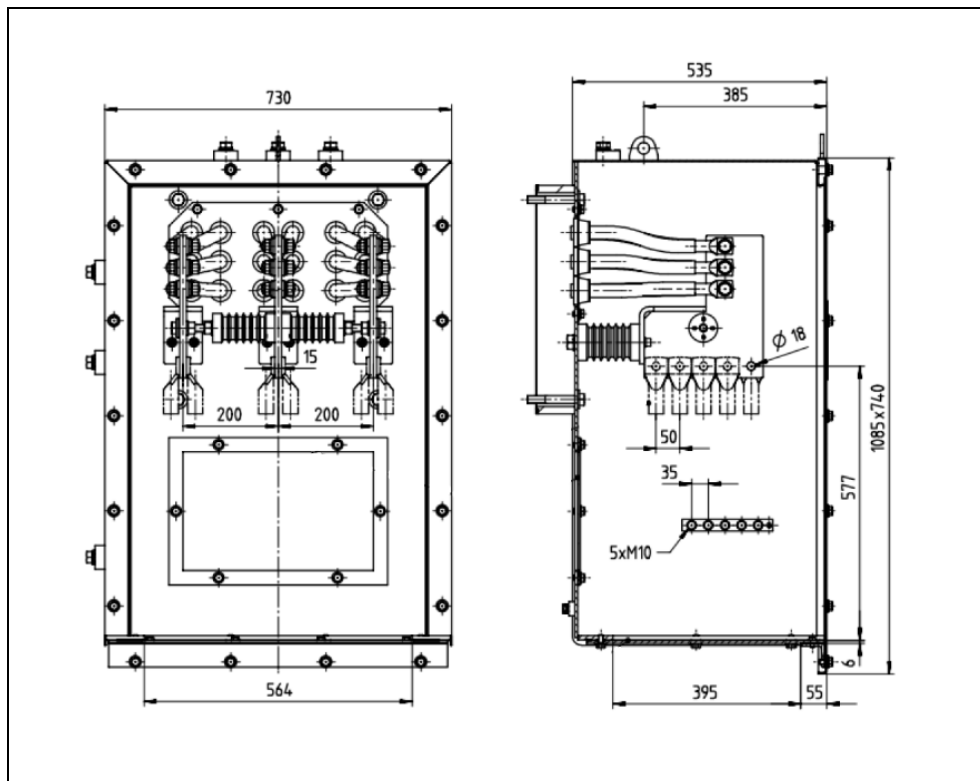


Figure 3-10 Standard terminal box 1XD1 566-3AA

3.11 Standard terminal box 1XD1 625-3AA

Features

- Standard main terminal box up to 11 kV rated voltage, up to 1100 A (standard conditions)
- Welded steel design, 151 kg
- Mechanical enclosure IP55
- Ex protection II 3 G Ex ec IIC T3 Gc by manufacturer's declaration
- Synthetic stud insulator
- Minimum distance from cable connection to cable entry plate: 600 mm
- Suitable for multicore cable connection
- Multicore internal earthing clamp
- External earthing connection

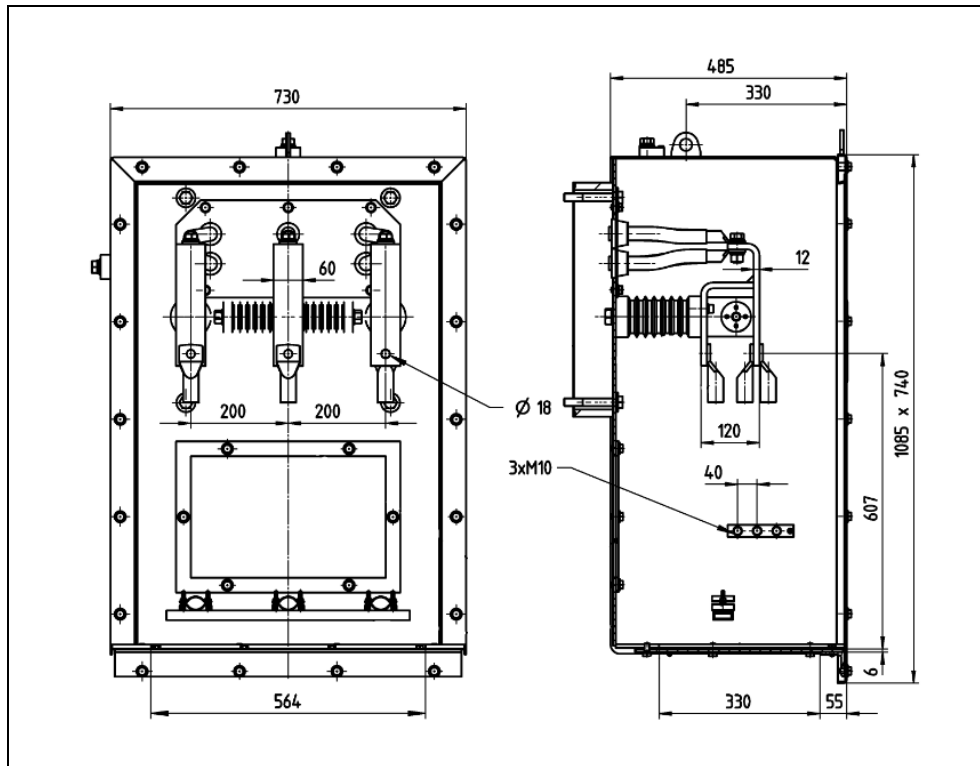


Figure 3-11 Standard terminal box 1XD1 625-3AA

3.12 Standard terminal box 1XD1 645-3AA

Features

- Standard main terminal box up to 13.8 kV rated voltage, 1100 up to 2000 A (standard conditions)
- Welded steel design, 200 kg
- Mechanical enclosure IP56
- Ex protection II 3 G Ex ec IIC T3 Gc by manufacturer's declaration
- Synthetic stud insulator
- Minimum distance from cable connection to cable entry plate: 800 mm
- Suitable for multicore cable connection
- Multicore internal earthing clamp
- External earthing connection

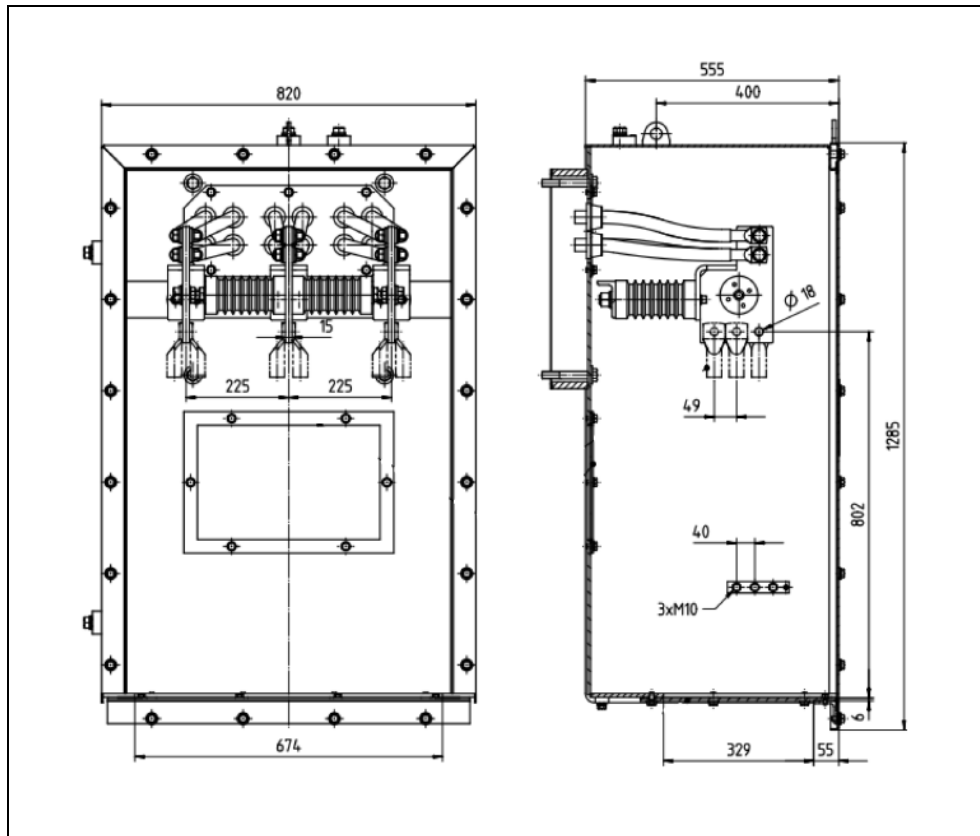


Figure 3-12 Standard terminal box 1XD1 645-3AA

3.13 Standard terminal box 1XF45---3DA

3.13 Standard terminal box 1XF45---3DA

Features

- Standard main terminal box up to 11 kV rated voltage, 1100 up to 1500 A (standard conditions), short circuit test - 15167 Bs-1
- Welded steel design, 200 kg
- Mechanical enclosure IP56
- Ex protection Ex eb IIC
- Distance from cable connection to cable entry plate: 447 mm
- Suitable for multicore cable connection
- Multicore internal earthing clamp
- External earthing connection
- Can be equipped with surge capacitor, surge arresters, CTs

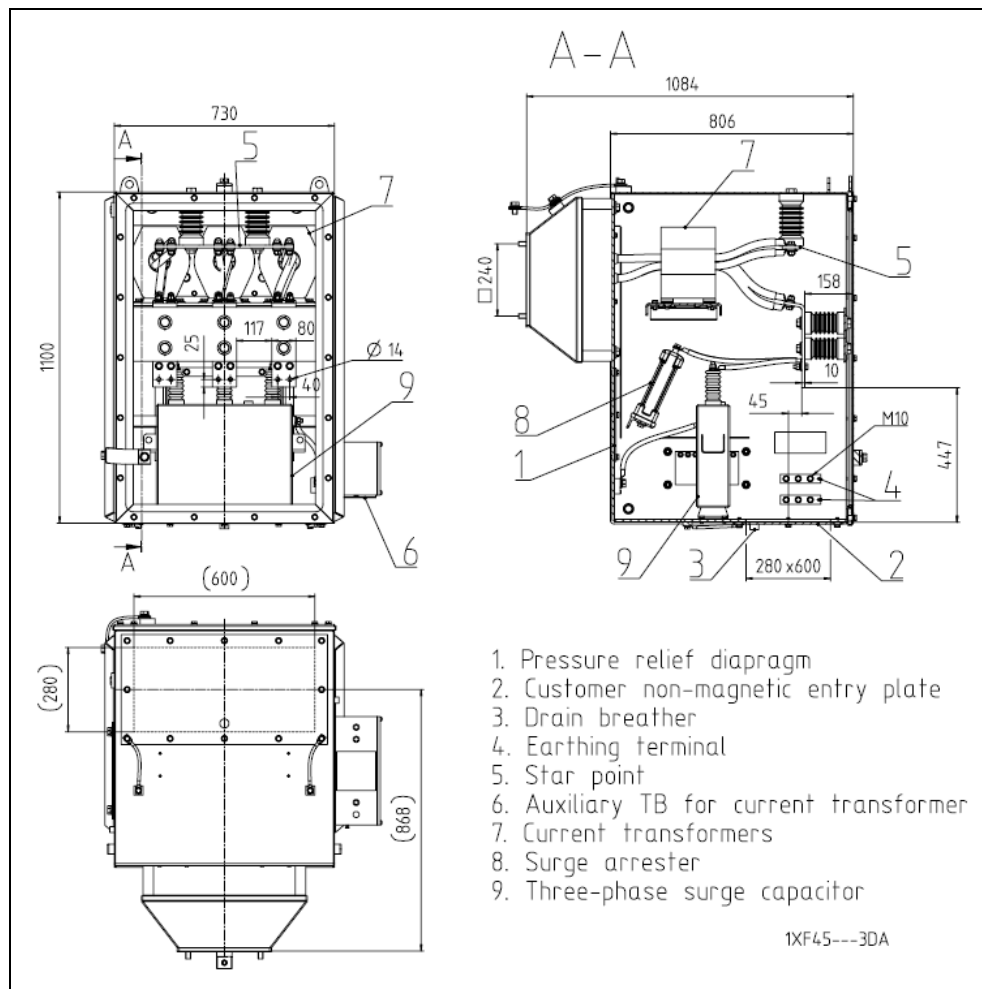


Figure 3-13 Standard terminal box 1XF45---3DA

3.14 Standard terminal box 1XF46

Features

- Standard main terminal box up to 13.8 kV rated voltage, up to 1500 A
- Welded steel design, 300 kg
- Mechanical enclosure IP56
- Ex protection Ex eb IIC
- Minimum distance from cable connection to cable entry plate: 611 mm
- Suitable for multicore cable connection
- Multicore internal earthing clamp
- External earthing connection
- Can be equipped with CTs, surge arresters, surge capacitors, PD couplers, ATB for PD couplers and a heater (not included)

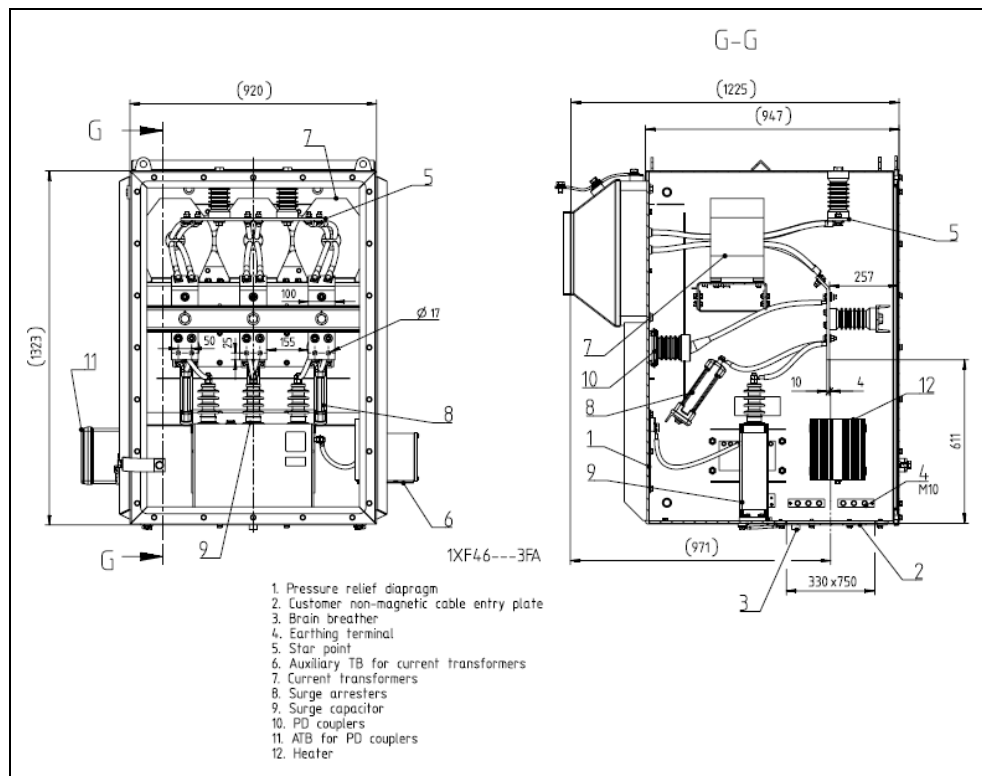


Figure 3-14 Standard terminal box 1XF46

3.15 Standard terminal box 1XD23---6AA

3.15 Standard terminal box 1XD23---6AA

Features

- Standard main terminal box up to 6.6 kV rated voltage, up to 1400 A
- Welded steel design, 122 kg
- Mechanical enclosure IP56
- Minimum distance from cable connection to cable entry plate: 555 mm
- Suitable for multicore cable connection
- Multicore internal earthing clamp
- External earthing connection
- Suitable for 2-winding system

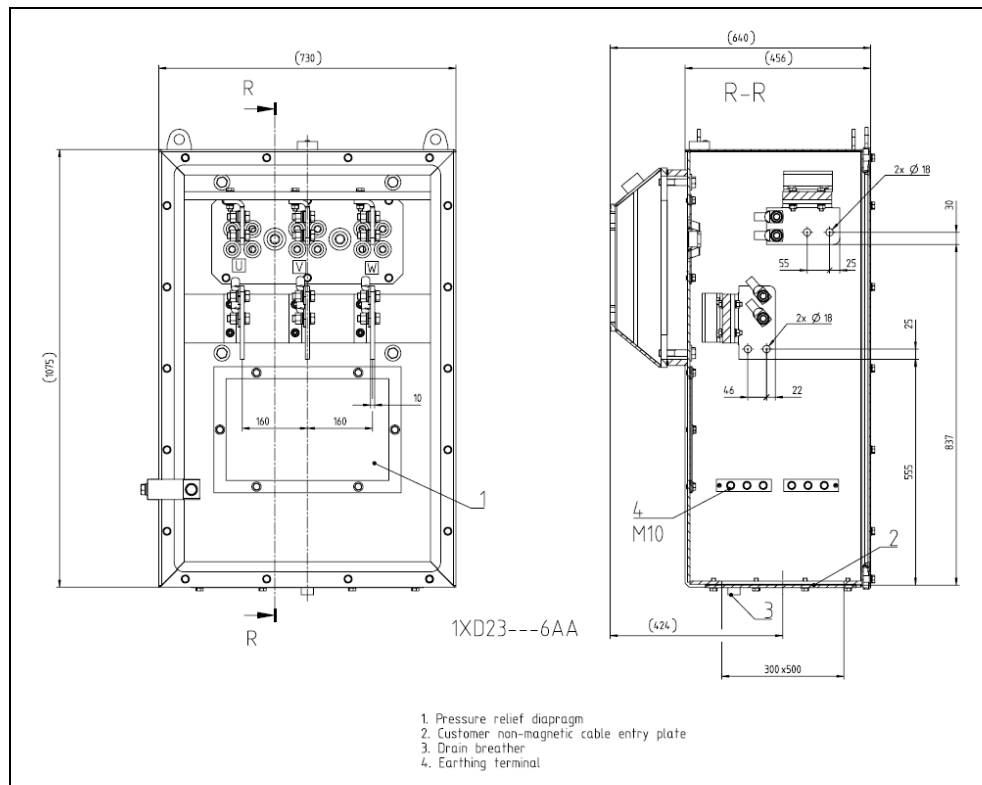


Figure 3-15 Standard terminal box 1XD23---6AA

3.16 Standard terminal box 1XD25---6AA

Features

- Standard main terminal box up to 11 kV rated voltage, up to 1400 A
- Welded steel design, 140 kg
- Mechanical enclosure IP56
- Minimum distance from cable connection to cable entry plate: 544 mm
- Suitable for multicore cable connection
- Multicore internal earthing clamp
- External earthing connection
- Suitable for 2-winding system

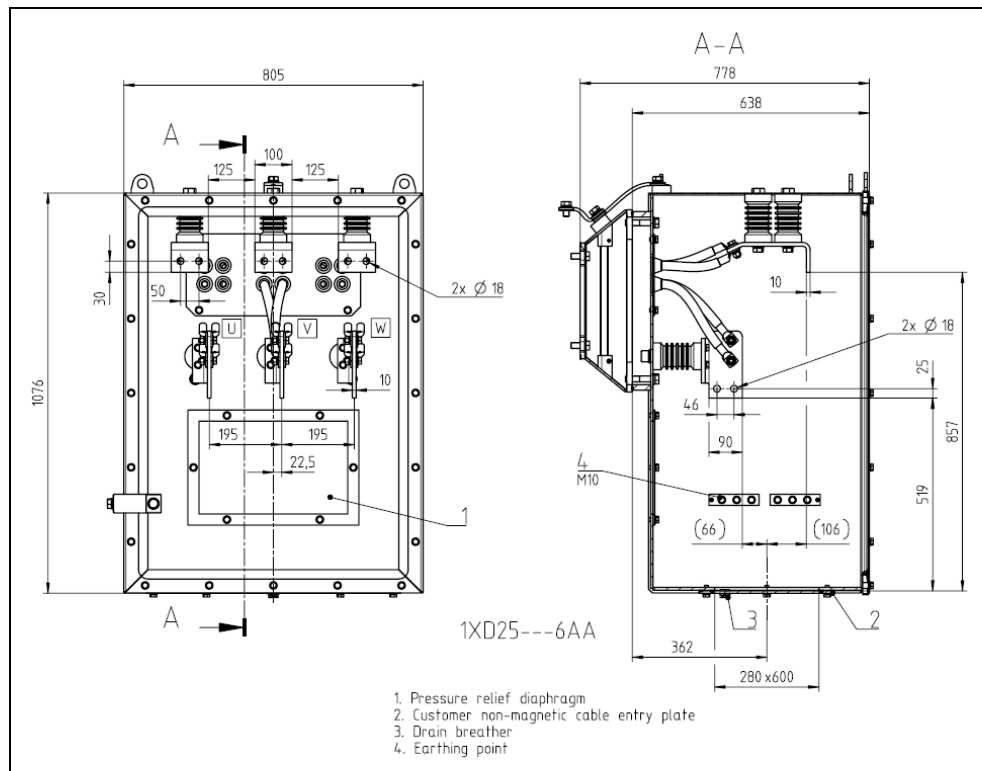


Figure 3-16 Standard terminal box 1XD25---6AA

4 Auxiliary terminal boxes

The purpose of the auxiliary terminal box is to house terminals for connecting monitoring elements, heaters, etc. and to accommodate transmitters.

For the sake of standardization, the scope of supply is restricted to the general types of auxiliary terminal box and terminal versions listed below.

Aluminum (option M88) and stainless steel (option M51) auxiliary terminal boxes are available as standard options in increased safety (II 2 G Ex eb IIC Gb) design.

Note

For other versions, please contact your Innomotics sales partner.

4.1 General

The auxiliary terminal box houses the terminals used to connect the anti-condensation heater and monitoring elements such as Pt100s, PTCs, etc. See the sketch below for standard positions of auxiliary terminal boxes; however other positions are also possible. If necessary, a large number of auxiliary terminal boxes can be mounted on HV M motors.

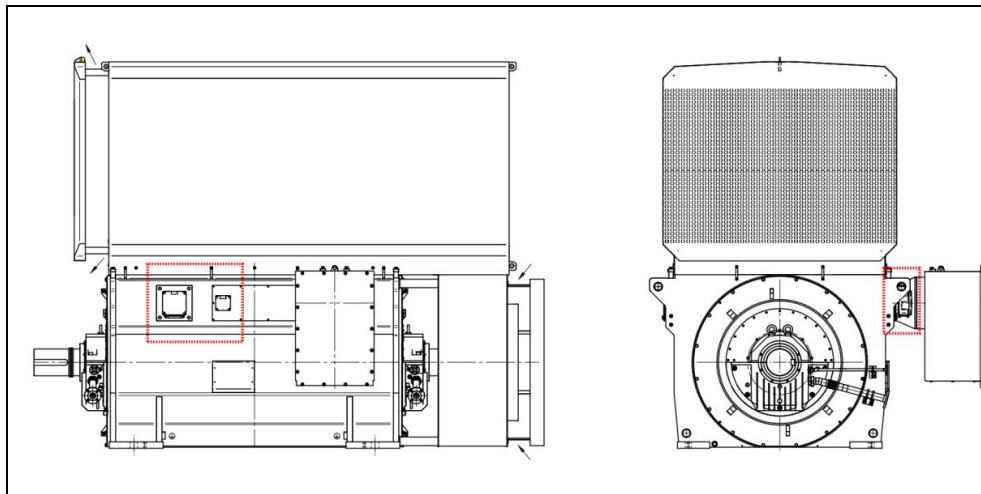


Figure 4-1 HV M IM B3, standard positions of auxiliary terminal boxes

Earthing

The earthing of auxiliary terminal boxes is established by surface of contact between the auxiliary terminal boxes and the motor housing. There is no separate earthing connection apart from that by default; however it might be there on a case to case basis due to practical reasons (i.e. if externally purchased terminal boxes from sensors are placed on the motor).

If generally a separate earthing connection between auxiliary terminal boxes and motor housing is required, please contact your Innomotics sales partner.

Standard and options for HV M motors

As standard available:

Connection of monitoring elements and anti-condensation heating in separate auxiliary terminal boxes (shaft heights 355 and 400 mm excluded).

The following terminal box options are available:

- Mounting transmitters (options T26 and T27)
- For motors with a large number of built-on components, the factory must be consulted about the desired or required number of auxiliary terminal boxes before the order is placed, e.g.:
 - Neutral-point terminal box equipment (current transformers, partial discharge monitoring, etc.)
 - Anti-friction bearing monitoring equipment (shock pulse measurement, housing vibration monitoring, speed monitoring etc.)
 - Sleeve bearing monitoring equipment (vibration detection, keyphasor etc.)

Use of resistance thermometers (Pt100)

Generally, the winding Pt100 sensors are positioned at the winding hot spots.

As standard, all Pt100 are implemented as 2-wire elements and connected external terminal by 4-wire cables.

3-wire or 4-wire elements are available on request. The use of 3- or 4-wire resistor elements (from element) in the winding/bearing and other monitoring circuits shall be avoided.

Owing to the very short cable length for the resistor elements in or on the motors, temperature compensation for a 3-wire circuit or 4-wire circuit with respect to the total cable length as compared to the 2-wire circuit can be neglected for monitoring purposes.

Resistance thermometers are always implemented as Pt100 according to DIN/IEC/EN.

Note

For detailed information about winding resistance thermometers, see option descriptions available in the Innomotics Portal (i.e. option A65):

[Download Center | HV M](#)

Design of terminal boxes and terminals for Ex i circuits

If Ex ib circuits are used, all components must be Ex ib, including Pt100s, terminal boxes and terminals.

Blue terminals are generally used for Ex ib circuits. The corresponding auxiliary terminal box is also externally marked for identification.

Note

Ex ib winding Pt100s in 3- or 4-wire design from element shall be avoided! Especially smaller motors don't have enough space in the stator core slots to fit those large elements.

4.2 Cable entry

As standard, auxiliary terminal boxes are delivered with undrilled entry plates. Drilled cable entry plates are available on request.

Also on request, special thread sizes can be realized, if detailed information is provided prior to the order. If anything special is requested, please provide all necessary data for an offer (manufacturer, type, thread size, cable diameter(s), etc.).

If entry plates are not included in the scope, cable entries are closed by certified threaded closing plugs.

On request, increased safety terminal boxes (II 2G Ex eb IIC Gb) can be delivered with undrilled cable entry plates.

4.3 Auxiliary terminal box 1XB9 014 – aluminum (option M88)

Table 4-1 Standard features of the auxiliary terminal box 1XB9 014

Material	Die cast aluminum
Max. number of terminals	50
Terminal box dimensions	360 x 160 x height 90 mm
Mechanical enclosure	IP66
With undrilled cable entry plate	182 x 70 x thickness 6 mm
Usable area for cable entry holes	Approx. 142 x 54 mm
Cover with quick-release locking screws	¼ rotation – made of stainless steel
Maximum device mounting height	50 mm
Ex certificates	EPS 17 ATEX 1 086

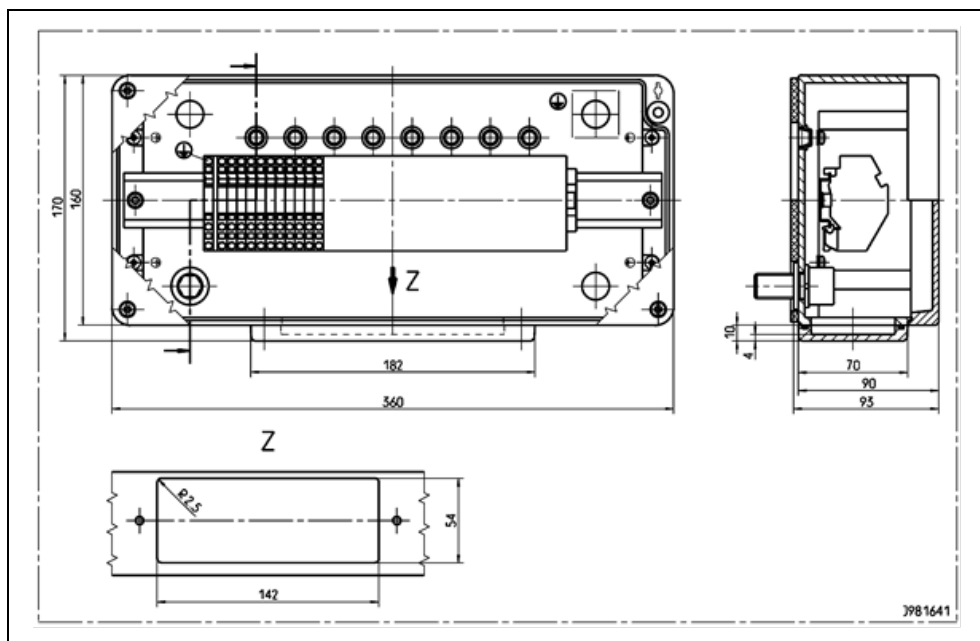


Figure 4-2 Auxiliary terminal box 1XB9 014

4.4 Auxiliary terminal box 1XB9 015 – stainless steel (option M51)

This auxiliary terminal box is suitable for mounting explosion-proof transmitters with a height of approx. 80 to 120 mm.

Table 4-2 Standard features of the auxiliary terminal box 1XB9 015

Material	Stainless steel AISI304 (EN 1.4301)
Max. number of terminals	50
Terminal box dimensions	360 x 177 x height 150 mm
Mechanical enclosure	IP66
With undrilled cable entry plate	126 x 126 x thickness 5 mm
Usable area for cable entry holes	Approx. 112 mm x 112 mm
Maximum device mounting height	120 mm
Ex certificates	EPS 17 ATEX 1 086, IECEx EPS 17.0043U

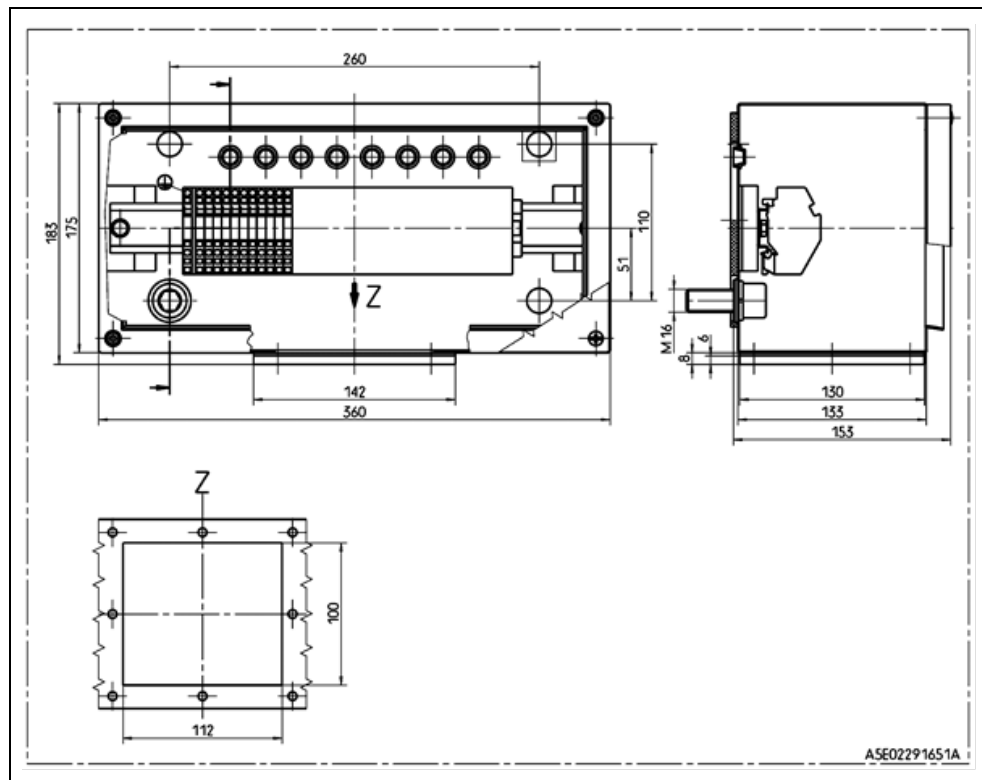


Figure 4-3 Auxiliary terminal box 1XB9 015 – stainless steel design (option M51)

4.5 Auxiliary terminal box 1XB9 016 – cast iron (option M50)

Table 4-3 Standard features of the auxiliary terminal box 1XB9 016

Material	Cast iron
Max. number of terminals	35
Terminal box dimensions	314 x 164 x height 120 mm
Mechanical enclosure	IP65
With undrilled cable entry plate	160 x 85 x thickness 8 mm
Usable area for cable entry holes	Approx. 120 mm x 65 mm
Maximum device mounting height	70 mm
Ex certificates	EPS 17 ATEX 1 086

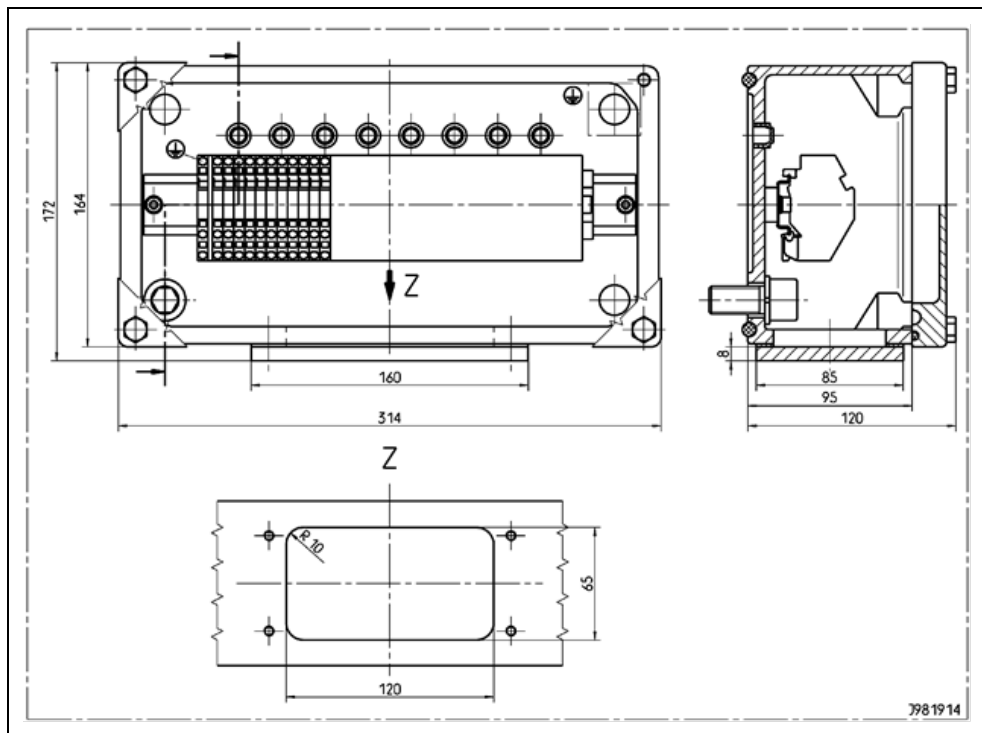


Figure 4-4 Auxiliary terminal box 1XB9 016 – cast iron design (option M50)

5 Bearing design

5.1 General

Most of the HV M motors can be equipped with anti-friction bearings. For exceptions (mandatory sleeve bearings) and for an overview of all motor versions available with sleeve bearings, please refer to Table 5-2.

Note

Bearings are generally outside the enclosure. Therefore, it's highly advised to monitor the bearing temperature by using bearing Pt100s .

Couplings

HV M motors are designed for operation with flexible couplings. The maximum permissible weight of the coupling half can be found in the following table. If this weight is exceeded, the design must be checked by engineering.

Table 5-1 Maximum permissible weights of coupling half

Shaft end diameter [mm]	Max. weight 2-pole [kg]	Max. weight ≥ 4-pole [kg]
50	10	10
55	10	20
60	10	20
65	10	20
70	20	30
75	20	30
80	20	40
85	30	50
90	30	50
95	30	60
100	40	70
105	40	80
110	50	90
115	50	100
120	60	110
125	70	130
130	70	140
135	80	160
140	90	170
145	100	190
150	110	210
155	120	230
160	130	250

Shaft end diameter [mm]	Max. weight 2-pole [kg]	Max. weight ≥ 4-pole [kg]
165	140	270
170	150	300
175	160	320
180	180	350
185	190	380
190	210	410
195	220	440
200	240	470
205	250	500
210	270	540
215	290	580
220	310	620
225	330	660
230	350	700
235	370	740
240	400	790
245	420	830
250	440	880
255	470	930
260	500	990
265	520	1040
270	550	1100
280	610	1220
290	670	1340
300	740	1480

Note

The assumed center of gravity of coupling is expected to be at least one third of the shaft end length measured from the end of shaft.

Note

Coupling half freely supplied by the customer can be fitted by factory.

5.2 Anti-friction bearing

5.2.1 Common features

Motors equipped with anti-friction bearings as standard have deep-groove ball bearings according to DIN 625, with angular-contact ball bearings to DIN 628 and/or cylindrical roller bearings to DIN 5412.

The outer bearing sealing is designed as a maintenance-free seal, resulting in possible mechanical protection IP56 of Innomatics HV M motors.

The anti-friction bearings are lubricated with mineral-oil-based lithium soap grease. The bearings have a re-greasing device with flat grease nipple M10 x 1 to DIN 3404 and space for spent grease. This is large enough to cover the calculated bearing life when the re-greasing intervals and quantities are observed (lubrication data can be found on lubrication plate or in order documentation).

The bearings must be re-lubricated at appropriate intervals to ensure that they achieve their nominal service life. A version with spent grease removal is possible on request.

Note

Anti-friction bearings of Innomatics HV M motors are designed for a bearing lifetime $L_{H10} \geq 40.000$ hours (standard conditions).

Increased bearing lifetime on request.

Increased lateral forces

The standard bearings are designed for the use of flexible couplings.

Bearings for increased lateral forces (e.g. belt drives, fans) will be designed according to actual forces provided by the customer.

Please provide at least the following parameters in the early offer stage:

- Maximum axial force on the motor shaft
- Maximum radial force on the motor shaft
- Distance between load application point and the shaft shoulder
- Required shaft end dimensions

Note

Locating bearings:

For horizontal motors, the locating bearing is at DE side by default.
For vertical motors, the locating bearing is at NDE side by default.

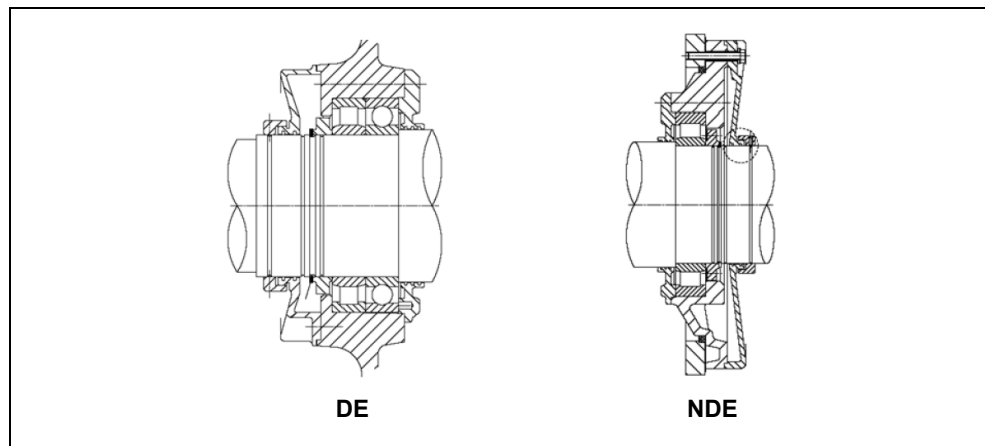


Figure 5-1 Generic anti-friction bearing design in the IM B3 construction type

High thrust design

High thrust bearings are available on request. For particular high up and/or down thrusts please contact your Innomotics sales partner.

5.3 Sleeve bearing

5.3.1 Common features

All Innomatics HV M motors of type IM B3 (IM 1001) can be supplied with sleeve bearings. See the table below for details on availability.

Basically, there are two main groups of sleeve bearings:

- Self-lubricated design
- Forced-lubricated design

The selection of the lubrication system is depending on several factors, like the following:

- Bearing load (radial/axial)
- Rotation speed
- Peripheral speed
- Ambient conditions
- Oil viscosity
- Bearing insulation

An overview of the standard selections of sleeve bearings and lubrication can be found in section 5.3.2.

In case of non-standard conditions or special customer requests the sleeve bearing cooling and lubrication must be checked by the engineering department.

If forced lubrication design is used, the external oil supply system must be provided by the customer on site (not included in our scope of supply!).

Both sleeve bearings have standard axial clearance of ± 3.5 mm, maximum possible axial clearance ± 6.5 mm.

The customer has to use a coupling with integrated axial backlash limitation (± 1.0 mm).

On special request sleeve bearings with integrated axial backlash limitation (used as locating bearing) are possible.

Note

Low temperature operation/oil sump heating:

Motors with sleeve bearings must use special oil or be equipped with oil sump heating for operation below permitted temperature (also refer to section "Minimum starting temperature of sleeve bearing motors" below).

5.3.2 Overview of sleeve bearing availability

Table 5-2 Availability of sleeve bearing design

Mounting type		IM B3				IM V1
Number of poles		2-pole		>=4-pole		all
Frequency		50 Hz	60 Hz	50 Hz	60 Hz	all
Frame size	40x	optional	N/A	N/A	N/A	N/A
	45x		mandatory	optional	optional	
	50x S ¹⁾					
	50x L ^{1) 2)}					
	56x					
	63x					
	71x					
	80x					
90x						

1) S = short frame, L = long frame

2) Not mandatory for aluminium rotor design

Note

Sleeve bearings are not designed for mounting type IM V1 by standard.

Special versions are available on request after feasibility check.

To enable a profound evaluation and a fact-based decision, please provide as much information as possible, especially concerning ambient conditions, vertical thrust loads, etc.

Minimum starting temperature of sleeve bearing motors

Starting of sleeve bearing motors is not permitted if the temperature detected by the Pt100 sensor in the bearing shell is below the minimum temperature. Motors with sleeve bearings must use special oil or be equipped with oil sump heating for starting and operation below permitted temperature.

The minimum starting temperature of the bearing is determined by the factory and mostly depending on the oil viscosity.

See the following table for permitted starting temperatures based on standard conditions with no additional bearing loads, external vibrations, motor inclination, etc.

Table 5-3 Minimum starting temperature with sleeve bearing design

Oil viscosity	Minimum starting temperature [°C]
ISO VG 13 ¹⁾	-25 ²⁾
ISO VG 22	-15
ISO VG 32	-10
ISO VG 46	-5

1) Synthetic oil

2) Please contact your Innomatics sales partner.

Maximum permitted bearing temperature

The temperatures of sleeve bearings have to be detected using Pt100 sensors.

If the bearing temperature rises above a certain level, the motor must shut down, because of a possible bearing damage. See the table below for standard maximum temperature limits for sleeve bearings.

Table 5-10 Standard temperature limits of Innomatics HV M motors with sleeve bearing design

Action	Standard bearing temperature limit
Alarm	95 °C
Shut down	100 °C

5.3.3 Sleeve bearing special design

Note

A wide variety of special options for sleeve bearings is available. Therefore on request even challenging demands can be met.

6 Vibrational behavior

Bearing housing vibrations

Motors comply with vibration grade A according to IEC 60034-14 as standard. Compliance with vibration grade B according to IEC 60034-14 is possible optional.

The specified vibration severity grades apply to types of construction IM B3 and IM V1. Values for other mounting types are available on request.

The vibration severity measurement is carried out in the test field under the following conditions:

- Rated voltage
- In uncoupled state in no-load operation
- Mounting in accordance with the applicable standards

The vibration response of the system may cause variations in the following vibration values at the installation site. Vibration values are influenced by the following factors:

- Drive elements
- Alignment
- Mounting (foundation, especially its rigidity)
- Effects of external vibration

Table 6-1 Vibration severity for rigid foundations permissible according to IEC/EN 60034-14:2018-08

Vibration severity	S _{eff} [μm]	V _{eff} [mm/s]
Grade A	37	2.3 2.8 ¹⁾
Grade B	24	1.5 1.8 ¹⁾

1) Limit when the twice line frequency vibration level is dominant

Grade A is applied for motors without any special vibration requirements, while Grade B is mostly used for motors with special vibration requirements.

Shaft vibrations at sleeve bearing motors

The shaft vibration on machines with sleeve bearings complies with IEC/EN 60034-14 Grade A. Grade B is available as an option.

Table 6-2 Permissible shaft vibration and run-out according to IEC/EN 60034-14:2018-08

Vibration severity	Speed range [rpm]	Maximum relative shaft vibration [μm]	Maximum permis- sible run-out [μm]
Grade A	> 1800	65	16
	≤ 1800	90	23
Grade B	>1800	50	12.5
	≤ 1800	65	16

Lower run-out values (e.g. API) are possible on request.

Note

For converter fed motors, the vibration values above are only valid and measured at minimum and maximum speed of the agreed speed range.

7 Cooling

7.1 Inner air guidance

Z ventilation

For single-sided ventilation (Z ventilation), there is a uni-directional radial fan impeller mounted on the motor shaft at the DE. This fan pushes air through the rotor and the air gap. Both the rotor and stator are constructed with radial air ducts in which the cooling air, driven by the rotor, flows outwards and cools the stator. This intensively cools the stator.

X ventilation

The two-sided ventilation (X ventilation) has two axial fans; one at the DE and the other at the NDE of the motor. These move the cooling airflow to the rotor. The internal air is then drawn in through the ventilation holes inside the rotor, where it flows through the radial air ducts within the rotor towards the stator. This ventilation has an optimized airflow for higher speeds.

Table 7-1 Inner air guidance overview

Frame size [mm]	Number of poles	Inner air guidance
355	≥ 2	Z ventilation
400	≥ 2	Z ventilation
450	2	X ventilation
	≥ 4	Z ventilation
500	2, 4	X ventilation
	≥ 6	Z ventilation
560	2, 4	X ventilation
	≥ 6	Z ventilation
630	2, 4, 6, 8	X ventilation
710	2, 4, 6	X ventilation
	≥ 8	Z ventilation
800	2, 4, 6, 8	X ventilation
	≥ 10	Z ventilation
900	≥ 4	X ventilation

7.2 External cooling circuit

The cooling units for the various cooling methods can be mounted and removed without electrically disconnecting the motor connections.

7.2.1 Air-air tube bundle heat exchanger (IC611, IP55)

The air-air heat exchanger is a welded unit mounted on the motor enclosure.

Smooth, uncoated tubes made of aluminum or aluminum alloy are rolled into the end faces of the enclosure. These are resistant to virtually all atmospheres encountered in industrial applications. Tubes are available in other materials on request.

A unidirectional outer fan is fitted to the NDE of the motor shaft. This drives the cooling air through the tubes.

Cooling air discharges axially at the DE side of the motor. The standard motors with air-air heat exchangers are designed for a cooling air temperature of up to +40 °C (higher ambient temperatures up to 60 °C on request).

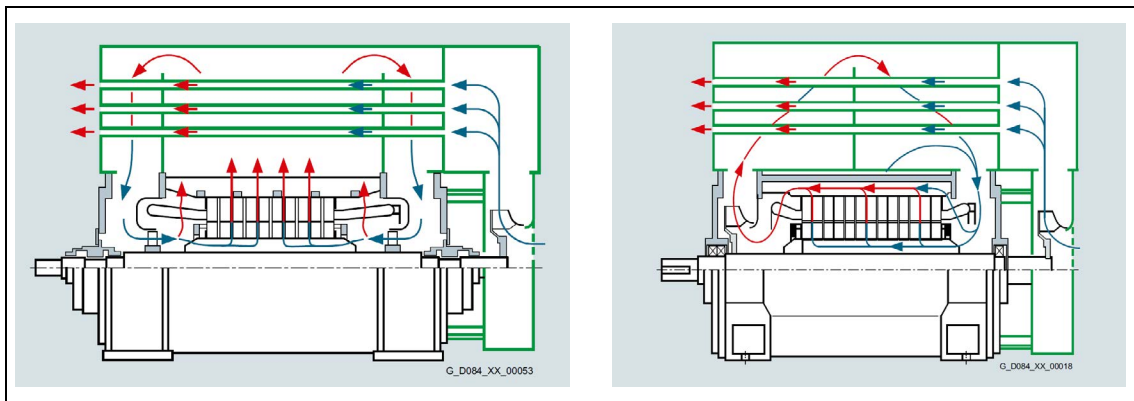


Figure 7-1 HV M: air-air cooling principle IC611 (left, X ventilation; right, Z ventilation)

7.2.2 Air-air plate heat exchanger (IC611, IC616, IC666, IP55)

The plate heat exchanger represents an innovative cooling concept replacing tube coolers enhancing heat transfer significantly increasing air to air cooling efficiency:

- The cooling air enters enclosure at NDE side, passes through plate heat exchanger block whilst changing direction by 90° discharging on both left and right motor side.
- The standard motors with plate heat exchangers are designed for a cooling air temperature of up to +40 °C (higher ambient temperatures up to 60 °C on request).

7.2.3 Air-water heat exchanger (IC81W, IP55)

The air-water heat exchanger has a welded design with an exchangeable system for the cooler. In the standard version this cooler comprises:

- Single copper tubes / stainless steel tube
- Aluminum ribs
- Walls made of zinc-plated steel / stainless steel

This heat exchanger is designed for a standard water intake temperature of +25 °C (higher water temperatures on request).
Operation with a reduced water flow is only possible by reducing the power output.

The standard is a mechanically cleanable cooler and allows a nominal pressure of 6 bar as well as test pressures of up to 9 bar.

For marine versions, a mechanically cleanable double-tube water cooler is possible.
The system can be vented and emptied using drain plugs. Redundant cooling units are available on request.

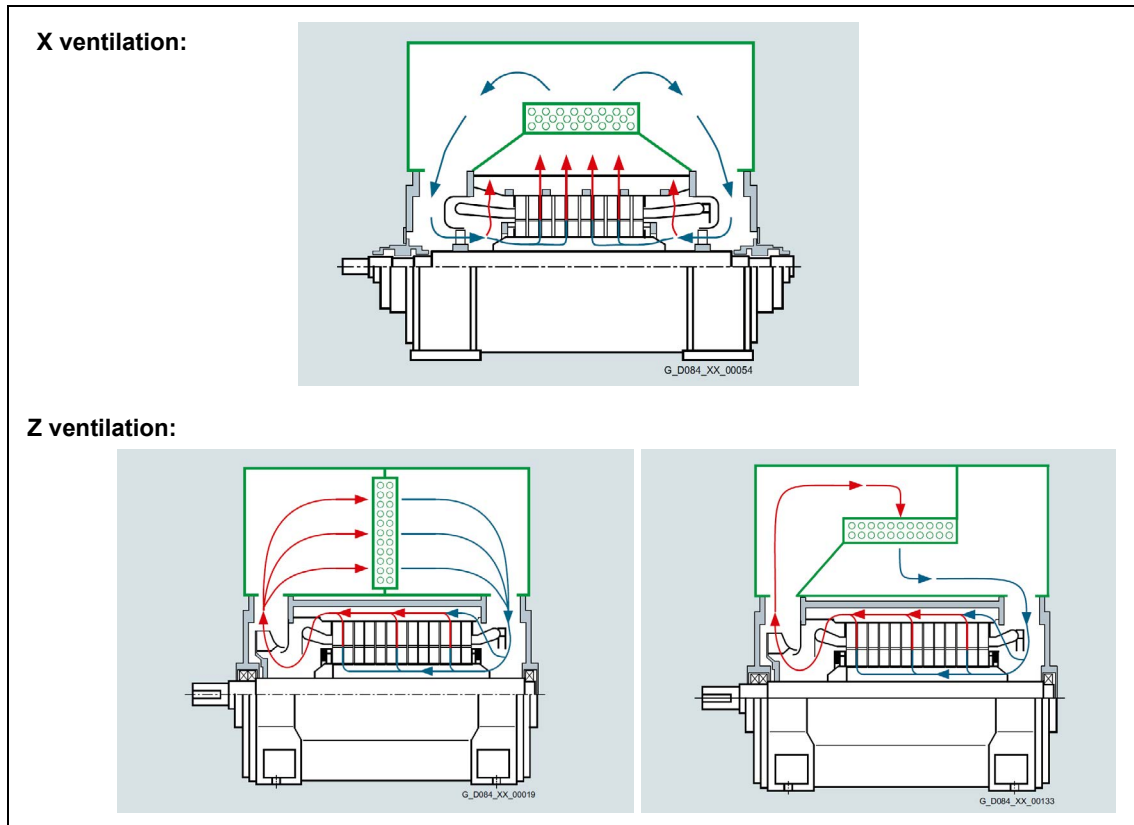


Figure 7-2 HV M: air-water cooling principle IC81W

7.2.4 Open circuit cooling (IC01, IP23)

The cooling air is drawn in by the fan impeller mounted on the shaft, guided through the motor and expelled as warm air. The air is drawn in at the side or below the mounted cooler and is discharged axially at the DE and NDE, or only at the NDE. The open-circuit cooling system is designed for a cooling air temperature of up to +40 °C.

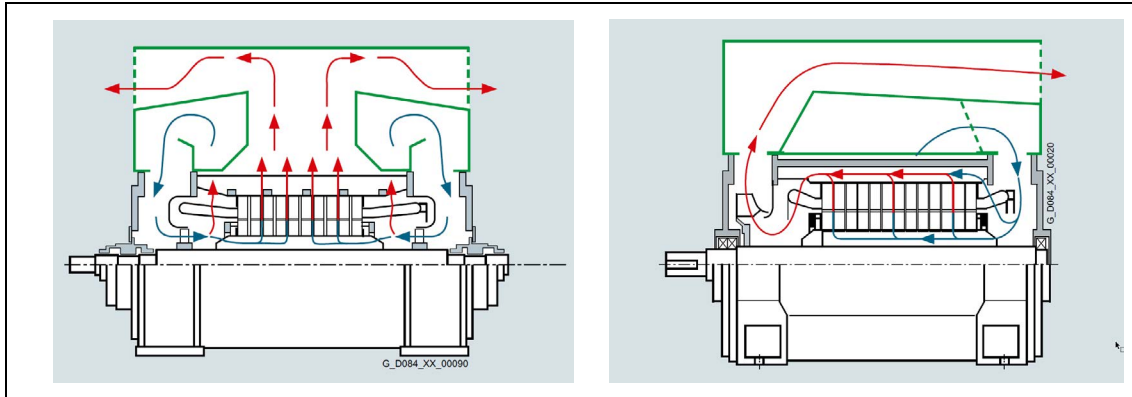


Figure 7-3 Open-circuit cooling IP23 (left, two-sided ventilation, right, one-sided ventilation)

Cooling water quality

The cooling water must circulate in a closed cooling circuit. Fluctuations in the oxygen content of the cooling water shall be avoided.

The cooling system is maintenance-free, if cooling water of the specified quality is used.

A Selection tables

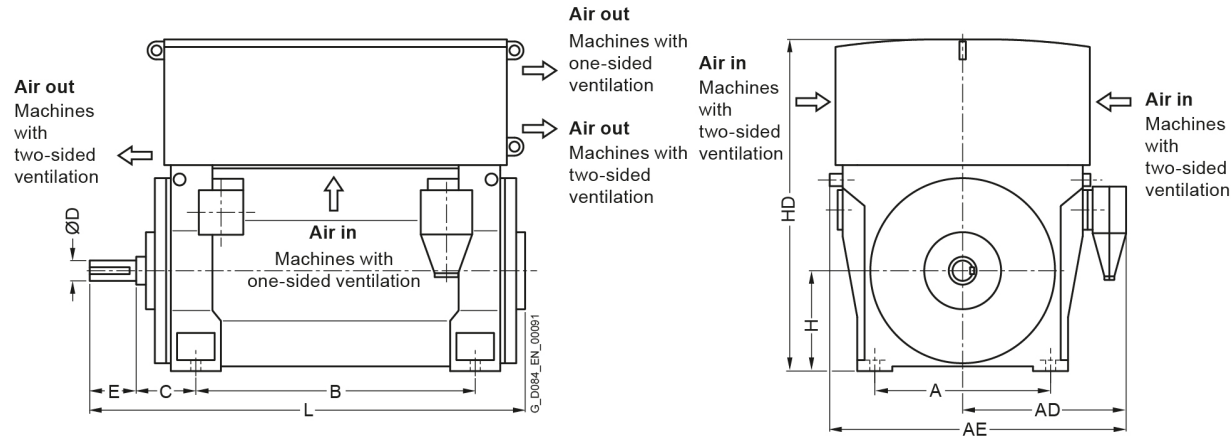
Note

In the following you will find detailed selection tables with electrical and mechanical data. Please use the PDF bookmarks to navigate to the desired section.

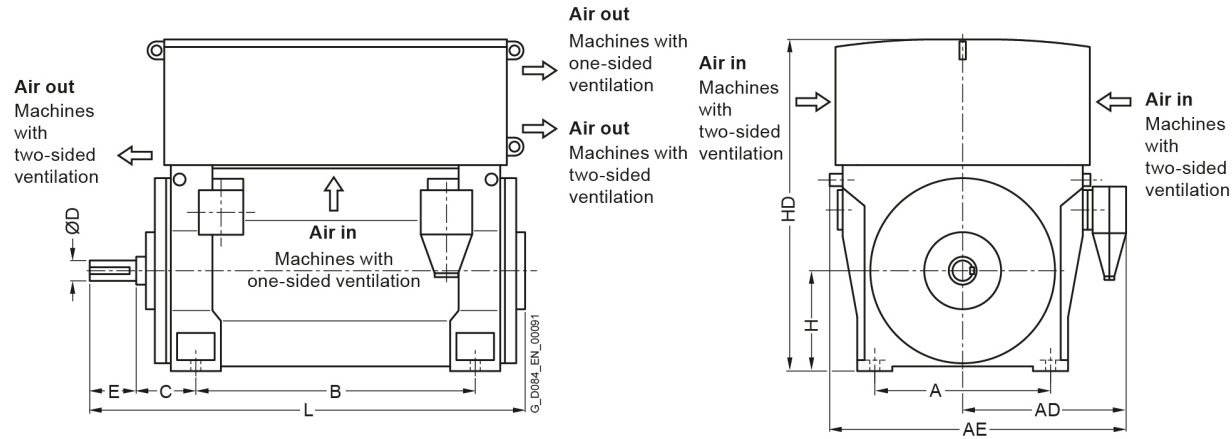
Innomotics HV M - 1RA. IC01 6000 V / 50 Hz B3 (IM 1001)																			
Rated power IEC kW	Article No.	Speed rpm	Rated current I _R A	Efficiency				Power factor				Torque T _R Nm	Breakdown torque T _B / T _R [-]	Locked rotor torque T _{LR} / T _R [-]	Locked rotor current I _{LR} / I _R [-]	Inertia			
				5/4 load	4/4 load	3/4 load	2/4 load	5/4 load	4/4 load	3/4 load	2/4 load					motor	external	Startup max T/TR	
				%	%	%	%	cos φ	cos φ	cos φ	cos φ						kgm ²	kgm ²	[-]
2-pole: n_{sync} = 3000 rpm at 50 Hz																			
1750	1RA7 453-2FA60-0A.0	2971	200	95.2	96.1	96.5	96.5	0.85	0.88	0.88	0.86	5627	1.90	0.45	4.6	10	45	o.r.	
1790	1RA7 453-2FA60-0C.0	2971	200	95.2	96.1	96.6	96.5	0.85	0.89	0.89	0.87	5755	1.90	0.50	4.2	14	115	o.r.	
1910	1RA7 454-2FA60-0A.2	2974	215	95.5	96.3	96.6	96.4	0.86	0.88	0.88	0.85	6135	2.05	0.45	4.8	11	50	o.r.	
1960	1RA7 454-2FA60-0C.0	2974	220	95.5	96.2	96.6	96.5	0.86	0.89	0.89	0.87	6296	2.00	0.50	4.5	15	120	o.r.	
2000	1RA7 457-2FA60-0A.2	2975	220	95.7	96.5	96.7	96.5	0.88	0.90	0.90	0.86	6426	2.25	0.55	5.2	12	60	o.r.	
2040	1RA7 457-2FA60-0C.0	2975	225	95.7	96.4	96.7	96.6	0.89	0.90	0.90	0.88	6553	2.15	0.55	4.8	16	140	o.r.	
2240	1RA7 458-2FA60-0A.2	2975	250	95.9	96.6	96.9	96.7	0.88	0.90	0.90	0.87	7192	2.25	0.55	5.2	13	65	o.r.	
2310	1RA7 458-2FA60-0C.0	2975	255	95.9	96.5	96.9	96.8	0.88	0.90	0.90	0.88	7422	2.15	0.55	4.8	18	140	o.r.	
2600	1RA7 503-2FA60-0A.0	2962	295	95.5	96.3	96.8	97.0	0.87	0.88	0.89	0.86	8384	2.05	0.50	3.9	15	32	o.r.	
2600	1RA7 503-2FA60-0C.0	2970	295	95.8	96.5	97.0	97.1	0.87	0.88	0.89	0.87	8361	2.00	0.55	3.8	20	116	o.r.	
2670	1RA7 504-2FA60-0A.0	2964	300	95.6	96.3	96.8	97.0	0.88	0.89	0.89	0.87	8610	2.15	0.50	4.2	15	40	o.r.	
2780	1RA7 504-2FA60-0C.0	2970	310	95.8	96.5	97.0	97.1	0.87	0.89	0.90	0.87	8942	2.05	0.55	3.9	21	108	o.r.	
3100	1RA7 507-2FA60-0A.0	2966	345	96.0	96.6	97.1	97.2	0.88	0.90	0.90	0.86	9986	2.25	0.60	4.5	18	46	o.r.	
3260	1RA7 507-2FA60-0C.2	2971	365	96.2	96.8	97.2	97.3	0.88	0.89	0.90	0.88	10480	2.10	0.65	4.1	24	108	o.r.	
3350	1RA7 508-2FA60-0A.2	2972	365	96.3	96.9	97.2	97.2	0.90	0.91	0.90	0.85	10767	2.60	0.70	5.4	20	74	o.r.	
3550	1RA7 508-2FA60-0C.2	2976	385	96.5	97.0	97.3	97.3	0.90	0.91	0.91	0.88	11399	2.40	0.70	4.9	27	134	o.r.	
4050	1RA7 562-2FA60-0CC2	2978	445	96.3	96.8	96.9	96.7	0.88	0.90	0.90	0.87	12988	2.05	0.55	4.6	41	245	o.r.	
4500	1RA7 563-2FA60-0CC2	2978	500	96.5	96.8	97.1	96.9	0.88	0.89	0.90	0.87	14432	2.00	0.50	4.5	44	230	o.r.	
5000	1RA7 564-2FA60-0CC2	2979	550	96.6	96.9	97.1	96.9	0.90	0.91	0.90	0.88	16029	2.15	0.50	4.8	47	250	o.r.	
5600	1RA7 567-2FA60-0CC2	2980	610	96.8	97.0	97.3	97.1	0.90	0.91	0.91	0.88	17951	2.10	0.55	4.8	52	255	o.r.	
6400	1RA7 568-2FA60-0CC2	2982	700	97.1	97.3	97.4	97.1	0.90	0.91	0.91	0.88	20512	2.25	0.50	5.1	58	270	o.r.	
4-pole: n_{sync} = 1500 rpm at 50 Hz																			
1620	1RA7 453-4FA60-0C.2	1483	184	95.2	96.1	96.5	96.6	0.86	0.88	0.87	0.82	10433	2.00	0.50	5.0	23	465	o.r.	
1550	1RA7 453-4FA60-0A.0	1479	176	94.8	95.8	96.3	96.5	0.87	0.88	0.87	0.83	10014	2.15	0.65	5.0	17	225	o.r.	
1680	1RA7 454-4FA60-0A.0	1481	196	95.2	96.0	96.3	96.4	0.85	0.86	0.82	0.73	10836	2.30	0.65	5.2	19	275	o.r.	
1800	1RA7 454-4FA60-0C.2	1483	205	95.2	96.2	96.5	96.6	0.85	0.87	0.84	0.78	11603	2.05	0.50	5.0	25	475	o.r.	
1930	1RA7 457-4FA60-0A.2	1482	215	95.4	96.2	96.6	96.7	0.88	0.89	0.88	0.84	12442	2.40	0.75	5.6	22	350	o.r.	
2020	1RA7 457-4FA60-0C.2	1485	225	95.7	96.4	96.8	96.9	0.88	0.89	0.88	0.85	12996	2.25	0.55	5.0	30	635	o.r.	
2080	1RA7 458-4FA60-0A.0	1483	235	95.7	96.3	96.7	96.8	0.89	0.89	0.88	0.83	13401	2.60	0.80	5.8	24	395	o.r.	
2240	1RA7 458-4FA60-0C.2	1485	250	95.8	96.5	96.9	97.0	0.88	0.89	0.89	0.85	14412	2.25	0.55	5.0	33	660	o.r.	
2500	1RA7 503-4FA60-0A.2	1485	285	95.9	96.6	97.0	97.1	0.87	0.88	0.87	0.83	16098	2.15	0.75	4.9	37	545	o.r.	
2550	1RA7 503-4FA60-0C.2	1486	290	96.0	96.6	97.1	97.1	0.87	0.88	0.88	0.84	16405	2.10	0.55	4.4	45	600	o.r.	
2770	1RA7 504-4FA60-0A.2	1486	310	96.1	96.7	97.1	97.1	0.88	0.89	0.87	0.83	17830	2.25	0.80	5.0	40	585	o.r.	
2800	1RA7 504-4FA60-0C.2	1487	315	96.1	96.7	97.2	97.1	0.88	0.89	0.88	0.84	18003	2.15	0.55	4.5	50	665	o.r.	

Innomotics HV M - 1RA. IC01 6000 V / 50 Hz B3 (IM 1001)																		
Rated power IEC	Article No.	Speed	Rated current I_R	Efficiency				Power factor				Torque T_R	Breakdown torque T_B/ T_R	Locked rotor torque T_{LR}/ T_R	Locked rotor current I_{LR}/ I_R	Inertia		
				5/4 load	4/4 load	3/4 load	2/4 load	5/4 load	4/4 load	3/4 load	2/4 load					motor	external	Startup max T/TR
kW		rpm	A	%	%	%	%	cos φ	cos φ	cos φ	cos φ	Nm	[-]	[-]	[-]	kgm ²	kgm ²	[-]
3100	1RA7 507-4FA60-0A.2	1485	350	96.2	96.8	97.2	97.3	0.87	0.88	0.88	0.85	19963	2.20	0.75	4.9	46	655	o.r.
3150	1RA7 507-4FA60-0C.2	1487	350	96.3	96.9	97.3	97.3	0.88	0.89	0.89	0.86	20255	2.15	0.55	4.5	56	700	o.r.
3480	1RA7 508-4FA60-0C.2	1489	390	96.5	97.0	97.3	97.3	0.87	0.88	0.88	0.83	22352	2.20	0.55	4.6	62	805	o.r.
3260	1RA7 508-4FA60-0A.2	1485	365	96.2	96.8	97.3	97.3	0.88	0.89	0.89	0.86	20989	2.35	0.85	5.2	50	705	o.r.
3550	1RA7 562-4FA60-0C.2	1489	401	96.4	96.9	97.3	97.3	0.86	0.88	0.87	0.84	22792	2.05	0.60	4.8	74	615	o.r.
4000	1RA7 563-4FA60-0C.2	1488	451	96.4	96.9	97.4	97.4	0.86	0.88	0.87	0.85	25692	2.00	0.60	4.7	80	580	o.r.
4600	1RA7 564-4FA60-0C.2	1489	519	96.6	97.0	97.5	97.4	0.87	0.88	0.88	0.85	29535	2.05	0.60	4.8	90	685	o.r.
5100	1RA7 566-4FA60-0C.2	1489	567	96.8	97.2	97.6	97.5	0.88	0.89	0.88	0.85	32724	2.15	0.65	5.1	100	735	o.r.
5700	1RA7 567-4FA60-0C.2	1489	633	96.9	97.3	97.7	97.6	0.88	0.89	0.89	0.86	36573	2.15	0.65	5.2	110	760	o.r.
6300	1RA7 568-4FA60-0C.2	1490	699	97.0	97.4	97.7	97.7	0.88	0.89	0.89	0.85	40402	2.25	0.70	5.4	119	760	o.r.
6-pole: n_{sync} = 1000 rpm at 50 Hz																		
1250	1RA7 453-6FA60-0A.0	987	148	94.4	95.4	96.0	96.3	0.84	0.85	0.83	0.77	12103	2.05	0.70	5.0	22	730	o.r.
1260	1RA7 453-6FA60-0C.0	986	148	94.3	95.4	96.0	96.3	0.84	0.86	0.84	0.79	12201	2.00	0.60	4.5	30	970	o.r.
1410	1RA7 454-6FA60-0A.0	988	166	94.7	95.6	96.1	96.3	0.84	0.85	0.82	0.75	13641	2.05	0.70	4.9	24	945	o.r.
1430	1RA7 454-6FA60-0C.0	987	170	94.6	95.6	96.2	96.4	0.84	0.85	0.84	0.78	13847	2.00	0.55	4.4	33	1215	o.r.
1520	1RA7 457-6FA60-0A.0	988	180	94.8	95.7	96.3	96.5	0.84	0.85	0.84	0.77	14706	2.10	0.75	5.1	28	1025	o.r.
1550	1RA7 457-6FA60-0C.0	987	182	94.7	95.7	96.2	96.5	0.84	0.86	0.85	0.80	14997	2.10	0.60	4.5	36	1275	o.r.
1650	1RA7 458-6FA60-0A.0	989	192	95.1	95.9	96.4	96.6	0.85	0.86	0.84	0.77	15950	2.25	0.80	5.3	31	1135	o.r.
1680	1RA7 458-6FA60-0C.0	988	194	95.0	95.9	96.4	96.6	0.85	0.87	0.85	0.79	16244	2.20	0.60	4.8	41	1410	o.r.
1800	1RA7 502-6FA60-0A.2	990	210	95.4	96.2	96.7	96.8	0.84	0.85	0.83	0.76	17387	2.15	0.85	4.5	42	1620	o.r.
1800	1RA7 502-6FA60-0C.2	991	210	95.6	96.3	96.8	96.9	0.84	0.85	0.84	0.78	17365	2.10	0.70	4.2	54	2060	o.r.
2000	1RA7 503-6FA60-0A.2	990	230	95.6	96.4	96.8	96.9	0.84	0.86	0.84	0.77	19320	2.15	0.90	4.6	46	1790	o.r.
2000	1RA7 503-6FA60-0C.2	991	235	95.8	96.5	96.9	97.0	0.84	0.86	0.85	0.79	19276	2.10	0.70	4.3	60	2300	o.r.
2280	1RA7 504-6FA60-0A.2	990	260	95.6	96.4	96.8	97.0	0.85	0.86	0.84	0.77	22029	2.15	0.90	4.6	51	1680	o.r.
2240	1RA7 504-6FA60-0C.2	991	260	95.9	96.6	97.0	97.1	0.85	0.86	0.85	0.79	21602	2.15	0.75	4.4	66	2100	o.r.
2540	1RA7 507-6FA60-0A.2	990	290	95.9	96.5	97.0	97.1	0.85	0.86	0.84	0.77	24531	2.20	0.90	4.8	58	2110	o.r.
2570	1RA7 507-6FA60-0C.2	991	290	96.0	96.7	97.1	97.2	0.85	0.86	0.85	0.80	24785	2.15	0.75	4.3	74	2440	o.r.
2680	1RA7 508-6FA60-0A.2	990	310	96.2	96.7	97.1	97.1	0.85	0.86	0.83	0.75	25858	2.35	0.95	5.1	63	2480	o.r.
2750	1RA7 508-6FA60-0C.2	991	320	96.2	96.9	97.2	97.2	0.85	0.86	0.85	0.78	26495	2.25	0.75	4.6	81	2780	o.r.
3000	1RA7 562-6FA60-0C.2	992	345	96.0	96.6	97.0	96.8	0.85	0.86	0.86	0.82	28909	1.80	0.60	5.2	105	2430	o.r.
3300	1RA7 563-6FA60-0C.2	992	380	96.1	96.8	97.0	97.0	0.85	0.86	0.85	0.82	31792	1.80	0.60	5.2	113	2500	o.r.
3700	1RA7 564-6FA60-0C.2	992	430	96.2	96.8	97.1	97.1	0.85	0.86	0.86	0.82	35646	1.80	0.60	5.2	124	2485	o.r.
4100	1RA7 567-6FA60-0C.2	992	475	96.3	96.9	97.1	97.2	0.85	0.86	0.86	0.82	39488	1.80	0.60	5.2	137	2600	o.r.
4550	1RA7 568-6FA60-0C.2	992	520	96.6	97.0	97.2	97.2	0.86	0.86	0.86	0.81	43806	2.00	0.60	5.5	151	2945	o.r.
8-pole: n_{sync} = 750 rpm at 50 Hz																		
820	1RA7 452-8FA60-0A.0	739	102	93.8	95.0	95.4	95.4	0.79	0.81	0.77	0.68	10592	1.80	0.60	4.0	25	1540	o.r.
880	1RA7 452-8FA60-0C.0	738	108	93.6	94.9	95.4	95.5	0.80	0.82	0.79	0.71	11379	1.90	0.55	4.1	32	1900	o.r.

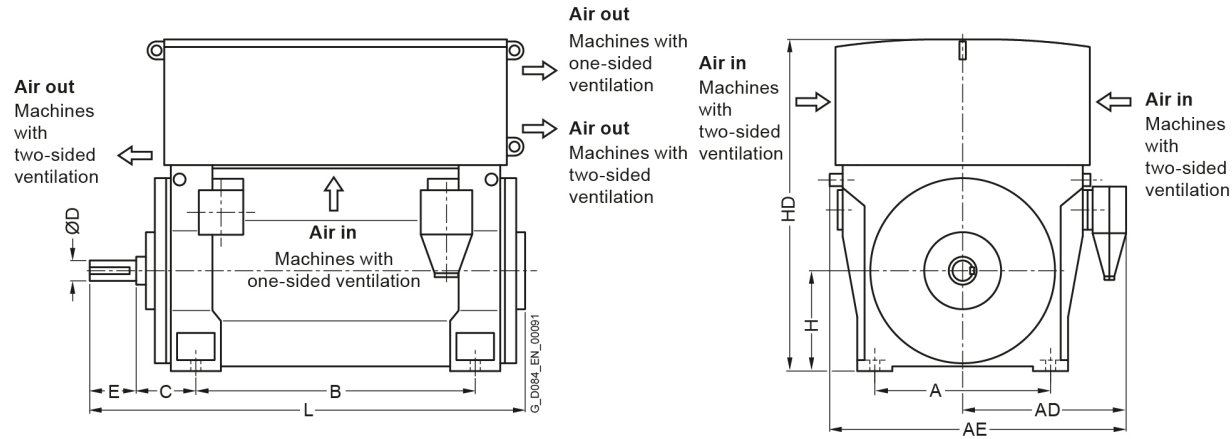
Innomotics HV M - 1RA. IC01 6000 V / 50 Hz B3 (IM 1001)																		
Rated power IEC	Article No.	Speed	Rated current I_R	Efficiency				Power factor				Torque T_R	Breakdown torque T_B/ T_R	Locked rotor torque T_{LR}/ T_R	Locked rotor current I_{LR}/ I_R	Inertia		
				5/4 load	4/4 load	3/4 load	2/4 load	5/4 load	4/4 load	3/4 load	2/4 load					motor	external	Startup max T/TR
kW		rpm	A	%	%	%	%	$\cos \varphi$	$\cos \varphi$	$\cos \varphi$	$\cos \varphi$	Nm	[-]	[-]	[-]	kgm ²	kgm ²	[-]
930	1RA7 453-8FA60-0A.0	739	116	94.0	95.1	95.6	95.6	0.79	0.81	0.77	0.68	12013	1.80	0.60	3.9	28	1960	o.r.
1000	1RA7 453-8FA60-0C.0	738	124	93.9	95.1	95.5	95.7	0.81	0.82	0.79	0.71	12926	1.90	0.55	4.0	36	2310	o.r.
1000	1RA7 454-8FA60-0A.2	739	124	94.1	95.4	95.7	95.8	0.80	0.81	0.78	0.70	12919	1.85	0.60	4.0	31	2450	o.r.
1100	1RA7 454-8FA60-0C.0	738	134	94.0	95.2	95.7	95.9	0.81	0.83	0.80	0.73	14225	1.90	0.55	4.1	40	2750	o.r.
1190	1RA7 457-8FA60-0A.0	739	148	94.4	95.4	95.8	95.8	0.80	0.81	0.77	0.68	15370	1.85	0.60	4.2	35	2610	o.r.
1220	1RA7 457-8FA60-0C.2	740	148	94.5	95.5	95.8	95.8	0.82	0.83	0.79	0.70	15743	2.00	0.60	4.6	45	3470	o.r.
1260	1RA7 458-8FA60-0A.0	739	154	94.5	95.5	95.8	95.9	0.80	0.82	0.78	0.69	16267	1.95	0.65	4.5	39	2760	o.r.
1310	1RA7 458-8FA60-0C.0	740	160	94.6	95.5	95.9	95.9	0.82	0.83	0.80	0.71	16900	2.10	0.60	4.8	50	3580	o.r.
1400	1RA7 502-8FA60-0A.2	742	174	95.1	95.9	96.4	96.6	0.81	0.81	0.79	0.73	18026	1.95	0.75	3.9	46	2280	o.r.
1400	1RA7 502-8FA60-0C.2	741	170	95.0	95.9	96.4	96.7	0.81	0.83	0.80	0.74	18042	1.95	0.50	3.7	59	2990	o.r.
1600	1RA7 503-8FA60-0A.2	741	196	95.1	96.0	96.5	96.8	0.80	0.82	0.81	0.76	20625	1.85	0.70	3.7	51	2130	o.r.
1600	1RA7 503-8FA60-0C.2	740	194	94.9	95.9	96.5	96.8	0.80	0.83	0.81	0.77	20641	1.85	0.45	3.5	65	2830	o.r.
1680	1RA7 504-8FA60-0A.2	743	205	95.5	96.2	96.5	96.6	0.82	0.82	0.79	0.72	21626	2.05	0.80	4.2	56	2840	o.r.
1700	1RA7 504-8FA60-0C.2	742	205	95.4	96.2	96.6	96.7	0.82	0.83	0.80	0.74	21881	2.10	0.55	3.9	72	3580	o.r.
1810	1RA7 507-8FA60-0A.2	743	220	95.6	96.3	96.7	96.7	0.82	0.82	0.79	0.72	23296	2.10	0.80	4.2	63	3670	o.r.
1840	1RA7 507-8FA60-0C.2	742	220	95.6	96.3	96.7	96.9	0.82	0.83	0.82	0.74	23674	2.10	0.60	4.0	80	4640	o.r.
2000	1RA7 508-8FA60-0A.2	743	245	95.8	96.4	96.7	96.7	0.81	0.82	0.80	0.72	25731	2.15	0.85	4.4	69	3790	o.r.
2000	1RA7 508-8FA60-0C.2	743	240	95.8	96.4	96.8	96.9	0.82	0.83	0.81	0.73	25739	2.20	0.60	4.2	88	4780	o.r.
2300	1RA7 563-8FA60-0C.2	743	275	95.6	96.3	96.7	96.6	0.82	0.83	0.81	0.75	29553	2.00	0.55	4.4	124	3025	o.r.
2600	1RA7 564-8FA60-0C.2	743	315	95.8	96.4	96.8	96.7	0.83	0.83	0.82	0.76	33406	2.00	0.60	4.5	137	3315	o.r.
2900	1RA7 567-8FA60-0C.2	744	350	96.0	96.5	96.9	96.8	0.83	0.83	0.81	0.74	37262	2.15	0.60	4.7	150	3950	o.r.
3300	1RA7 568-8FA60-0C.2	744	395	96.2	96.7	97.0	96.9	0.83	0.83	0.81	0.75	42419	2.10	0.60	4.6	165	5680	o.r.



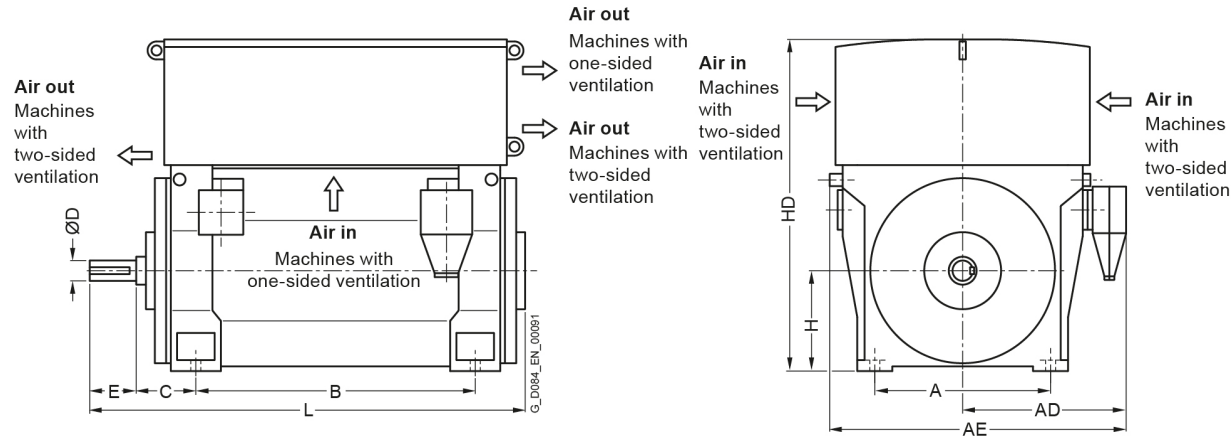
Motor type	Weight	Dimensions										
		A	AD	AE	B	C	D	E	H	HD	L	ML
	kg	mm	mm	mm	mm	mm	mm	mm	mm	mm	mm	mm
Innomotics HV M - 1RA. IC01 6000 V / 50 Hz B3 (IM 1001) - Dimension drawings												
2-pole												
1RA7 453-2FA60-0AA0	4100	850	925	1545	1180	250	95	130	450	1630	1840	200
1RA7 453-2FA60-0AC0	4000	850	925	1545	1180	475	95	130	450	1630	2270	200
1RA7 453-2FA60-0CA0	4200	850	925	1545	1180	250	95	130	450	1630	1840	200
1RA7 453-2FA60-0CC0	4100	850	925	1545	1180	475	95	130	450	1630	2270	200
1RA7 454-2FA60-0AA2	4200	850	925	1545	1180	250	95	130	450	1630	1840	200
1RA7 454-2FA60-0AC2	4100	850	925	1545	1180	475	95	130	450	1630	2270	200
1RA7 454-2FA60-0CA0	4350	850	925	1545	1180	250	95	130	450	1630	1840	200
1RA7 454-2FA60-0CC0	4250	850	925	1545	1180	475	95	130	450	1630	2270	200
1RA7 457-2FA60-0AA2	4550	850	925	1545	1400	250	95	130	450	1630	2050	200
1RA7 457-2FA60-0AC2	4450	850	925	1545	1400	475	95	130	450	1630	2480	200
1RA7 457-2FA60-0CA0	4700	850	925	1545	1400	250	95	130	450	1630	2050	200
1RA7 457-2FA60-0CC0	4600	850	925	1545	1400	475	95	130	450	1630	2480	200
1RA7 458-2FA60-0AA2	4800	850	925	1545	1400	250	95	130	450	1630	2050	200
1RA7 458-2FA60-0AC2	4700	850	925	1545	1400	475	95	130	450	1630	2480	200
1RA7 458-2FA60-0CA0	4950	850	925	1545	1400	250	95	130	450	1630	2050	200
1RA7 458-2FA60-0CC0	4850	850	925	1545	1400	475	95	130	450	1630	2480	200
1RA7 503-2FA60-0AA0	5600	950	1005	1705	1320	250	110	165	500	1890	1960	250
1RA7 503-2FA60-0AC0	5550	950	1005	1705	1320	530	120	165	500	1890	2510	250
1RA7 503-2FA60-0CA0	5750	950	1005	1705	1320	250	110	165	500	1890	1960	250
1RA7 503-2FA60-0CC0	5700	950	1005	1705	1320	530	120	165	500	1890	2510	250
1RA7 504-2FA60-0AA0	5650	950	1005	1705	1320	250	110	165	500	1890	1960	250
1RA7 504-2FA60-0AC0	5600	950	1005	1705	1320	530	120	165	500	1890	2510	250



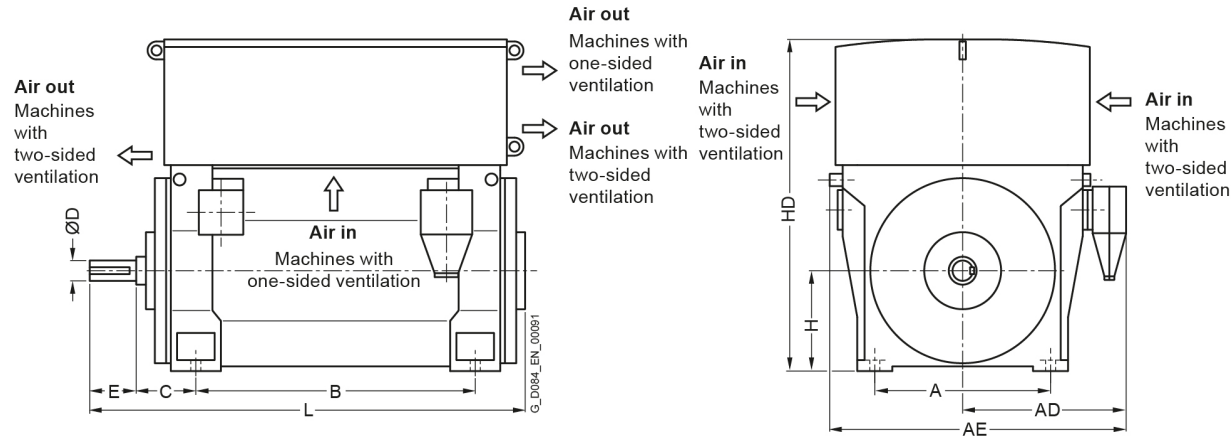
Motor type	Weight	Dimensions										
		A	AD	AE	B	C	D	E	H	HD	L	ML
	kg	mm	mm	mm	mm	mm	mm	mm	mm	mm	mm	mm
Innomotics HV M - 1RA. IC01 6000 V / 50 Hz B3 (IM 1001) - Dimension drawings												
1RA7 504-2FA60-0CA0	5800	950	1005	1705	1320	250	110	165	500	1890	1960	250
1RA7 504-2FA60-0CC0	5750	950	1005	1705	1320	530	120	165	500	1890	2510	250
1RA7 507-2FA60-0AA0	6350	950	1005	1705	1500	250	110	165	500	1890	2170	250
1RA7 507-2FA60-0AC0	6300	950	1005	1705	1500	530	120	165	500	1890	2720	250
1RA7 507-2FA60-0CA2	6500	950	1005	1705	1500	250	110	165	500	1890	2170	250
1RA7 507-2FA60-0CC2	6450	950	1005	1705	1500	530	120	165	500	1890	2720	250
1RA7 508-2FA60-0AA2	6650	950	1005	1705	1500	250	110	165	500	1890	2170	250
1RA7 508-2FA60-0AC2	6600	950	1005	1705	1500	530	120	165	500	1890	2720	250
1RA7 508-2FA60-0CA2	6850	950	1005	1705	1500	250	110	165	500	1890	2170	250
1RA7 508-2FA60-0CC2	6750	950	1005	1705	1500	530	120	165	500	1890	2720	250
1RA7 562-2FA60-0CC2	7350	1060	1290	2060	1400	600	150	200	560	2090	2810	300
1RA7 563-2FA60-0CC2	7650	1060	1290	2060	1400	600	150	200	560	2090	2810	300
1RA7 564-2FA60-0CC2	7900	1060	1290	2060	1400	600	150	200	560	2090	2810	300
1RA7 567-2FA60-0CC2	8750	1060	1290	2060	1600	600	150	200	560	2090	3040	300
1RA7 568-2FA60-0CC2	9350	1060	1290	2060	1600	600	150	200	560	2090	3040	300
4-pole												
1RA7 453-4FA60-0CA2	4200	850	925	1545	1180	250	130	200	450	1520	1920	200
1RA7 453-4FA60-0CC2	4200	850	925	1545	1180	500	130	200	450	1520	2390	200
1RA7 453-4FA60-0AA0	4050	850	925	1545	1180	250	130	200	450	1520	1920	200
1RA7 453-4FA60-0AC0	4100	850	925	1545	1180	500	130	200	450	1520	2390	200
1RA7 454-4FA60-0AA0	4250	850	925	1545	1180	250	130	200	450	1520	1920	200
1RA7 454-4FA60-0AC0	4250	850	925	1545	1180	500	130	200	450	1520	2390	200
1RA7 454-4FA60-0CA2	4400	850	925	1545	1180	250	130	200	450	1520	1920	200



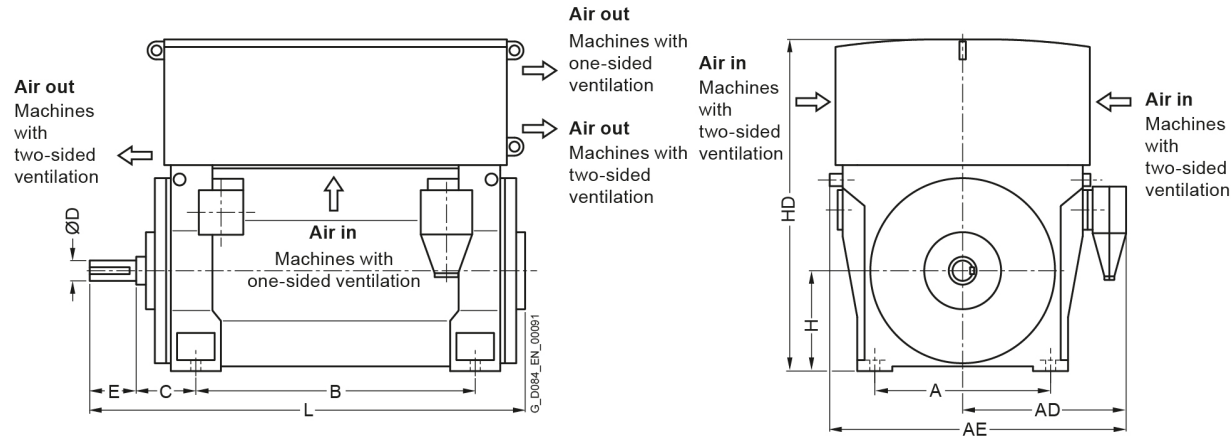
Motor type	Weight	Dimensions												
		A	AD	AE	B	C	D	E	H	HD	L	ML		
	kg	mm	mm	mm	mm	mm	mm	mm	mm	mm	mm	mm	mm	
Innomotics HV M - 1RA. IC01 6000 V / 50 Hz B3 (IM 1001) - Dimension drawings														
1RA7 454-4FA60-0CC2	4400	850	925	1545	1180	500	130	200	450	1520	2390	200		
1RA7 457-4FA60-0AA2	4800	850	925	1545	1400	250	130	200	450	1520	2130	200		
1RA7 457-4FA60-0AC2	4800	850	925	1545	1400	500	130	200	450	1520	2600	200		
1RA7 457-4FA60-0CA2	5000	850	925	1545	1400	250	130	200	450	1520	2130	200		
1RA7 457-4FA60-0CC2	5000	850	925	1545	1400	500	130	200	450	1520	2600	200		
1RA7 458-4FA60-0AA0	5000	850	925	1545	1400	250	130	200	450	1520	2130	200		
1RA7 458-4FA60-0AC0	5050	850	925	1545	1400	500	130	200	450	1520	2600	200		
1RA7 458-4FA60-0CA2	5200	850	925	1545	1400	250	130	200	450	1520	2600	200		
1RA7 458-4FA60-0CC2	5250	850	925	1545	1400	500	130	200	450	1520	2600	200		
1RA7 503-4FA60-0AA2	5850	950	1005	1705	1320	315	160	240	500	1890	2180	250		
1RA7 503-4FA60-0AC2	5950	950	1005	1705	1320	560	170	240	500	1890	2620	250		
1RA7 503-4FA60-0CA2	6000	950	1005	1705	1320	315	160	240	500	1890	2180	250		
1RA7 503-4FA60-0CC2	6100	950	1005	1705	1320	560	170	240	500	1890	2620	250		
1RA7 504-4FA60-0AA2	6150	950	1005	1705	1320	315	160	240	500	1890	2180	250		
1RA7 504-4FA60-0AC2	6200	950	1005	1705	1320	560	170	240	500	1890	2620	250		
1RA7 504-4FA60-0CA2	6300	950	1005	1705	1320	315	160	240	500	1890	2180	250		
1RA7 504-4FA60-0CC2	6350	950	1005	1705	1320	560	170	240	500	1890	2620	250		
1RA7 507-4FA60-0AA2	6850	950	1005	1705	1500	315	160	240	500	1890	2390	250		
1RA7 507-4FA60-0AC2	6900	950	1005	1705	1500	560	170	240	500	1890	2830	250		
1RA7 507-4FA60-0CA2	7000	950	1005	1705	1500	315	160	240	500	1890	2390	250		
1RA7 507-4FA60-0CC2	7050	950	1005	1705	1500	560	170	240	500	1890	2830	250		
1RA7 508-4FA60-0CA2	7350	950	1005	1705	1500	315	160	240	500	1890	2390	250		
1RA7 508-4FA60-0CC2	7400	950	1005	1705	1500	560	170	240	500	1890	2830	250		



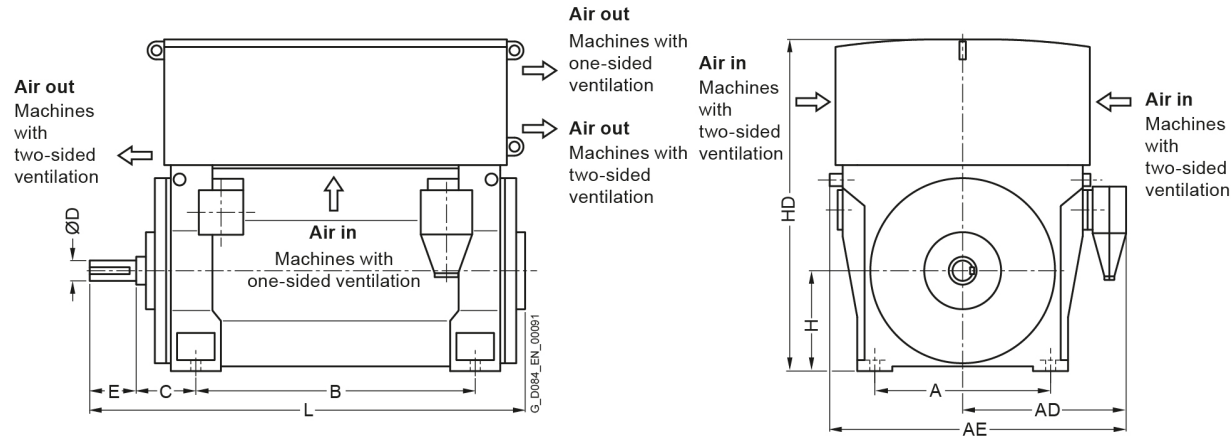
Motor type	Weight	Dimensions										
		A	AD	AE	B	C	D	E	H	HD	L	ML
	kg	mm	mm	mm	mm	mm	mm	mm	mm	mm	mm	mm
Innomotics HV M - 1RA. IC01 6000 V / 50 Hz B3 (IM 1001) - Dimension drawings												
1RA7 508-4FA60-0AA2	7100	950	1005	1705	1500	315	160	240	500	1890	2390	250
1RA7 508-4FA60-0AC2	7150	950	1005	1705	1500	560	170	240	500	1890	2830	250
1RA7 562-4FA60-0CA2	7500	1060	1290	2060	1400	335	190	280	560	2090	2390	300
1RA7 562-4FA60-0CC2	7600	1060	1290	2060	1400	600	190	280	560	2090	2850	300
1RA7 563-4FA60-0CA2	7750	1060	1290	2060	1400	335	190	280	560	2090	2390	300
1RA7 563-4FA60-0CC2	7800	1060	1290	2060	1400	600	190	280	560	2090	2850	300
1RA7 564-4FA60-0CA2	8200	1060	1290	2060	1400	335	190	280	560	2090	2390	300
1RA7 564-4FA60-0CC2	8300	1060	1290	2060	1400	600	190	280	560	2090	2850	300
1RA7 566-4FA60-0CA2	9050	1060	1290	2060	1600	335	190	280	560	2090	2620	300
1RA7 566-4FA60-0CC2	9100	1060	1290	2060	1600	600	190	280	560	2090	3080	300
1RA7 567-4FA60-0CA2	9550	1060	1290	2060	1600	335	190	280	560	2090	2620	300
1RA7 567-4FA60-0CC2	9600	1060	1290	2060	1600	600	190	280	560	2090	3080	300
1RA7 568-4FA60-0CA2	10000	1060	1290	2060	1600	335	190	280	560	2090	2620	300
1RA7 568-4FA60-0CC2	10050	1060	1290	2060	1600	600	190	280	560	2090	3080	300
6-pole												
1RA7 453-6FA60-0AA0	4050	850	925	1545	1180	250	130	200	450	1520	1920	200
1RA7 453-6FA60-0AC0	4100	850	925	1545	1180	500	130	200	450	1520	2390	200
1RA7 453-6FA60-0CA0	4200	850	925	1545	1180	250	130	200	450	1520	1920	200
1RA7 453-6FA60-0CC0	4250	850	925	1545	1180	500	130	200	450	1520	2390	200
1RA7 454-6FA60-0AA0	4250	850	925	1545	1180	250	130	200	450	1520	1920	200
1RA7 454-6FA60-0AC0	4300	850	925	1545	1180	500	130	200	450	1520	2390	200
1RA7 454-6FA60-0CA0	4400	850	925	1545	1180	250	130	200	450	1520	1920	200
1RA7 454-6FA60-0CC0	4450	850	925	1545	1180	500	130	200	450	1520	2390	200



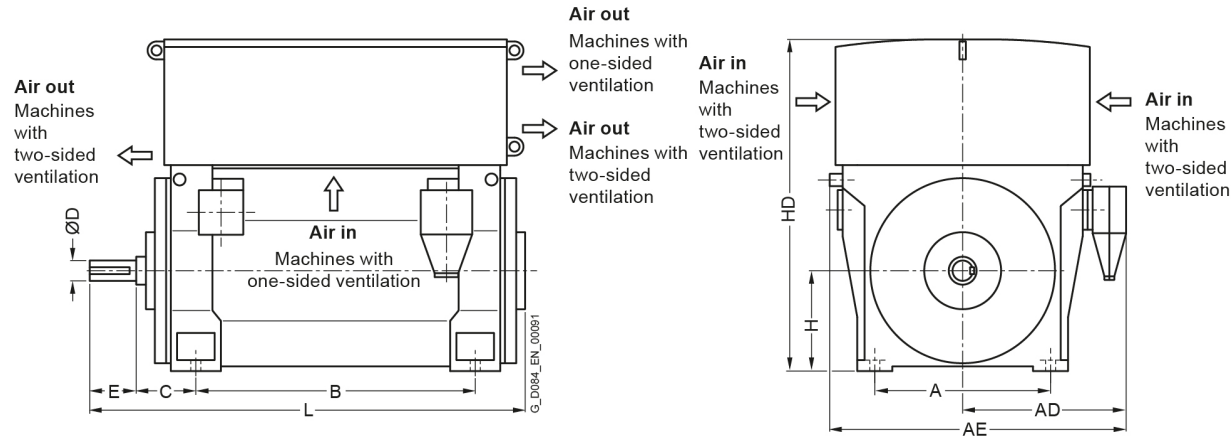
Motor type	Weight	Dimensions												
		A	AD	AE	B	C	D	E	H	HD	L	ML		
	kg	mm	mm	mm	mm	mm	mm	mm	mm	mm	mm	mm	mm	
Innomotics HV M - 1RA. IC01 6000 V / 50 Hz B3 (IM 1001) - Dimension drawings														
1RA7 457-6FA60-0AA0	4700	850	925	1545	1400	250	130	200	450	1520	2130	200		
1RA7 457-6FA60-0AC0	4750	850	925	1545	1400	500	130	200	450	1520	2600	200		
1RA7 457-6FA60-0CA0	4900	850	925	1545	1400	250	130	200	450	1520	2130	200		
1RA7 457-6FA60-0CC0	4900	850	925	1545	1400	500	130	200	450	1520	2600	200		
1RA7 458-6FA60-0AA0	5000	850	925	1545	1400	250	130	200	450	1520	2130	200		
1RA7 458-6FA60-0AC0	5000	850	925	1545	1400	500	130	200	450	1520	2600	200		
1RA7 458-6FA60-0CA0	5200	850	925	1545	1400	250	130	200	450	1520	2130	200		
1RA7 458-6FA60-0CC0	5200	850	925	1545	1400	500	130	200	450	1520	2600	200		
1RA7 502-6FA60-0AA2	5750	950	1005	1705	1320	315	160	240	500	1690	2180	250		
1RA7 502-6FA60-0AC2	5800	950	1005	1705	1320	560	170	240	500	1690	2620	250		
1RA7 502-6FA60-0CA2	5900	950	1005	1705	1320	315	160	240	500	1690	2180	250		
1RA7 502-6FA60-0CC2	5950	950	1005	1705	1320	560	170	240	500	1690	2620	250		
1RA7 503-6FA60-0AA2	5950	950	1005	1705	1320	315	160	240	500	1690	2180	250		
1RA7 503-6FA60-0AC2	6050	950	1005	1705	1320	560	170	240	500	1690	2620	250		
1RA7 503-6FA60-0CA2	6200	950	1005	1705	1320	315	160	240	500	1690	2180	250		
1RA7 503-6FA60-0CC2	6250	950	1005	1705	1320	560	170	240	500	1690	2620	250		
1RA7 504-6FA60-0AA2	6200	950	1005	1705	1320	315	160	240	500	1690	2180	250		
1RA7 504-6FA60-0AC2	6250	950	1005	1705	1320	560	170	240	500	1690	2620	250		
1RA7 504-6FA60-0CA2	6450	950	1005	1705	1320	315	160	240	500	1690	2180	250		
1RA7 504-6FA60-0CC2	6500	950	1005	1705	1320	560	170	240	500	1690	2620	250		
1RA7 507-6FA60-0AA2	6900	950	1005	1705	1500	315	160	240	500	1690	2390	250		
1RA7 507-6FA60-0AC2	6950	950	1005	1705	1500	560	170	240	500	1690	2830	250		
1RA7 507-6FA60-0CA2	7150	950	1005	1705	1500	315	160	240	500	1690	2390	250		



Motor type	Weight	Dimensions										
		A	AD	AE	B	C	D	E	H	HD	L	ML
	kg	mm	mm	mm	mm	mm	mm	mm	mm	mm	mm	mm
Innomotics HV M - 1RA. IC01 6000 V / 50 Hz B3 (IM 1001) - Dimension drawings												
1RA7 507-6FA60-0CC2	7200	950	1005	1705	1500	560	170	240	500	1690	2830	250
1RA7 508-6FA60-0AA2	7200	950	1005	1705	1500	315	160	240	500	1690	2390	250
1RA7 508-6FA60-0AC2	7300	950	1005	1705	1500	560	170	240	500	1690	2830	250
1RA7 508-6FA60-0CA2	7500	950	1005	1705	1500	315	160	240	500	1690	2390	250
1RA7 508-6FA60-0CC2	7550	950	1005	1705	1500	560	170	240	500	1690	2830	250
1RA7 562-6FA60-0CA2	8000	1060	1290	2060	1400	335	190	280	560	1910	2390	300
1RA7 562-6FA60-0CC2	8050	1060	1290	2060	1400	600	190	280	560	1910	2850	300
1RA7 563-6FA60-0CA2	8300	1060	1290	2060	1400	335	190	280	560	1910	2390	300
1RA7 563-6FA60-0CC2	8350	1060	1290	2060	1400	600	190	280	560	1910	2850	300
1RA7 564-6FA60-0CA2	8650	1060	1290	2060	1400	335	190	280	560	1910	2390	300
1RA7 564-6FA60-0CC2	8750	1060	1290	2060	1400	600	190	280	560	1910	2850	300
1RA7 567-6FA60-0CA2	9450	1060	1290	2060	1600	335	190	280	560	1910	2620	300
1RA7 567-6FA60-0CC2	9550	1060	1290	2060	1600	600	190	280	560	1910	3080	300
1RA7 568-6FA60-0CA2	10100	1060	1290	2060	1600	335	190	280	560	1910	2620	300
1RA7 568-6FA60-0CC2	10200	1060	1290	2060	1600	600	190	280	560	1910	3080	300
8-pole												
1RA7 452-8FA60-0AA0	4050	850	925	1545	1180	250	130	200	450	1520	1920	200
1RA7 452-8FA60-0AC0	4050	850	925	1545	1180	500	130	200	450	1520	2390	200
1RA7 452-8FA60-0CA0	4200	850	925	1545	1180	250	130	200	450	1520	1920	200
1RA7 452-8FA60-0CC0	4200	850	925	1545	1180	500	130	200	450	1520	2390	200
1RA7 453-8FA60-0AA0	4250	850	925	1545	1180	250	130	200	450	1520	1920	200
1RA7 453-8FA60-0AC0	4300	850	925	1545	1180	500	130	200	450	1520	2390	200
1RA7 453-8FA60-0CA0	4400	850	925	1545	1180	250	130	200	450	1520	1920	200



Motor type	Weight	Dimensions										
		A	AD	AE	B	C	D	E	H	HD	L	ML
	kg	mm	mm	mm	mm	mm	mm	mm	mm	mm	mm	mm
Innomotics HV M - 1RA. IC01 6000 V / 50 Hz B3 (IM 1001) - Dimension drawings												
1RA7 453-8FA60-0CC0	4450	850	925	1545	1180	500	130	200	450	1520	2390	200
1RA7 454-8FA60-0AA2	4500	850	925	1545	1180	250	130	200	450	1520	1920	200
1RA7 454-8FA60-0AC2	4500	850	925	1545	1180	500	130	200	450	1520	2390	200
1RA7 454-8FA60-0CA0	4650	850	925	1545	1180	250	130	200	450	1520	1920	200
1RA7 454-8FA60-0CC0	4700	850	925	1545	1180	500	130	200	450	1520	2390	200
1RA7 457-8FA60-0AA0	5000	850	925	1545	1400	250	130	200	450	1520	2130	200
1RA7 457-8FA60-0AC0	5000	850	925	1545	1400	500	130	200	450	1520	2600	200
1RA7 457-8FA60-0CA2	5150	850	925	1545	1400	250	130	200	450	1520	2130	200
1RA7 457-8FA60-0CC2	5200	850	925	1545	1400	500	130	200	450	1520	2600	200
1RA7 458-8FA60-0AA0	5250	850	925	1545	1400	250	130	200	450	1520	2130	200
1RA7 458-8FA60-0AC0	5250	850	925	1545	1400	500	130	200	450	1520	2600	200
1RA7 458-8FA60-0CA0	5450	850	925	1545	1400	250	130	200	450	1520	2130	200
1RA7 458-8FA60-0CC0	5450	850	925	1545	1400	500	130	200	450	1520	2600	200
1RA7 502-8FA60-0AA2	5700	950	1005	1705	1320	315	160	240	500	1690	2180	250
1RA7 502-8FA60-0AC2	5750	950	1005	1705	1320	560	170	240	500	1690	2620	250
1RA7 502-8FA60-0CA2	5900	950	1005	1705	1320	315	160	240	500	1690	2180	250
1RA7 502-8FA60-0CC2	5950	950	1005	1705	1320	560	170	240	500	1690	2620	250
1RA7 503-8FA60-0AA2	5950	950	1005	1705	1320	315	160	240	500	1690	2180	250
1RA7 503-8FA60-0AC2	6000	950	1005	1705	1320	560	170	240	500	1690	2620	250
1RA7 503-8FA60-0CA2	6200	950	1005	1705	1320	315	160	240	500	1690	2180	250
1RA7 503-8FA60-0CC2	6250	950	1005	1705	1320	560	170	240	500	1690	2620	250
1RA7 504-8FA60-0AA2	6250	950	1005	1705	1320	315	160	240	500	1690	2180	250
1RA7 504-8FA60-0AC2	6300	950	1005	1705	1320	560	170	240	500	1690	2620	250

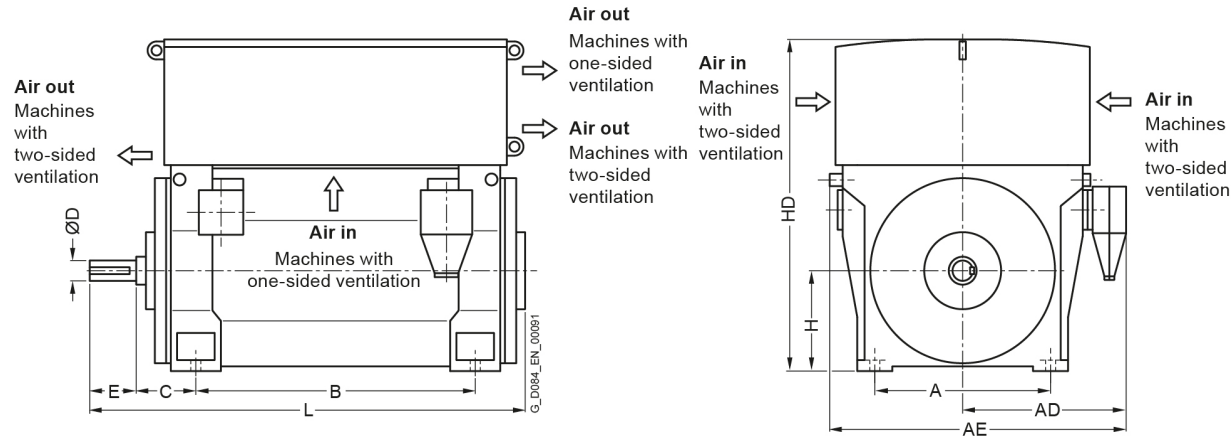


Motor type	Weight	Dimensions												
		A	AD	AE	B	C	D	E	H	HD	L	ML		
	kg	mm	mm	mm	mm	mm	mm	mm	mm	mm	mm	mm	mm	
Innomotics HV M - 1RA. IC01 6000 V / 50 Hz B3 (IM 1001) - Dimension drawings														
1RA7 504-8FA60-0CA2	6500	950	1005	1705	1320	315	160	240	500	1690	2180	250		
1RA7 504-8FA60-0CC2	6550	950	1005	1705	1320	560	170	240	500	1690	2620	250		
1RA7 507-8FA60-0AA2	6900	950	1005	1705	1500	315	160	240	500	1690	2390	250		
1RA7 507-8FA60-0AC2	6950	950	1005	1705	1500	560	170	240	500	1690	2830	250		
1RA7 507-8FA60-0CA2	7150	950	1005	1705	1500	315	160	240	500	1690	2390	250		
1RA7 507-8FA60-0CC2	7200	950	1005	1705	1500	560	170	240	500	1690	2830	250		
1RA7 508-8FA60-0AA2	7250	950	1005	1705	1500	315	160	240	500	1690	2390	250		
1RA7 508-8FA60-0AC2	7300	950	1005	1705	1500	560	170	240	500	1690	2830	250		
1RA7 508-8FA60-0CA2	7500	950	1005	1705	1500	315	160	240	500	1690	2390	250		
1RA7 508-8FA60-0CC2	7550	950	1005	1705	1500	560	170	240	500	1690	2830	250		
1RA7 563-8FA60-0CA2	8000	1060	1075	1845	1400	335	190	280	560	1910	2390	300		
1RA7 563-8FA60-0CC2	8050	1060	1075	1845	1400	600	190	280	560	1910	2850	300		
1RA7 564-8FA60-0CA2	8450	1060	1075	1845	1400	335	190	280	560	1910	2390	300		
1RA7 564-8FA60-0CC2	8500	1060	1075	1845	1400	600	190	280	560	1910	2850	300		
1RA7 567-8FA60-0CA2	9300	1060	1075	1845	1600	335	190	280	560	1910	2620	300		
1RA7 567-8FA60-0CC2	9400	1060	1075	1845	1600	600	190	280	560	1910	3080	300		
1RA7 568-8FA60-0CA2	9850	1060	1075	1845	1600	335	190	280	560	1910	2620	300		
1RA7 568-8FA60-0CC2	9950	1060	1075	1845	1600	600	190	280	560	1910	3080	300		

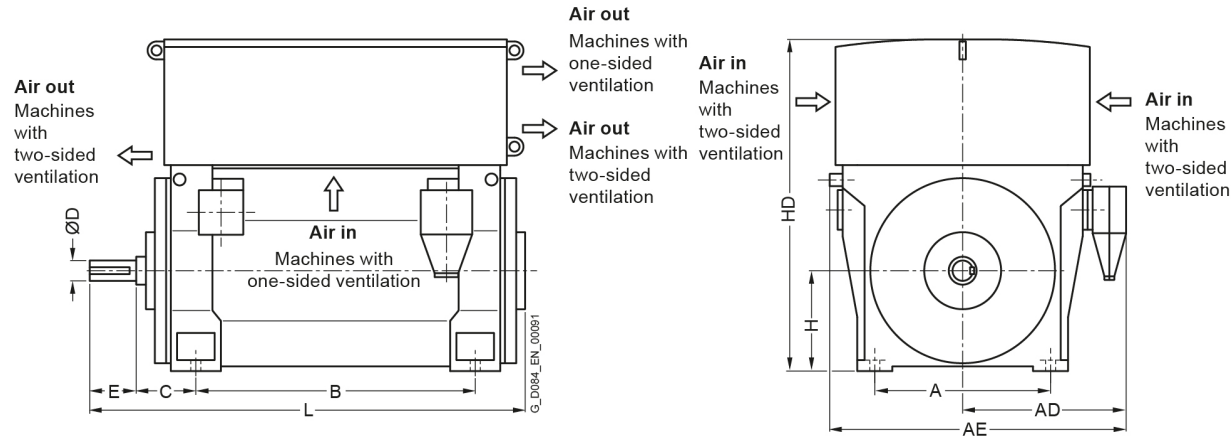
Innomotics HV M - 1RA. IC01 6600 V / 60 Hz B3 (IM 1001)																			
Rated power IEC	Article No.	Speed	Rated current I_R	Efficiency				Power factor				Torque T_R	Breakdown torque T_B/ T_R	Locked rotor torque T_{LR}/ T_R	Locked rotor current I_{LR}/ I_R	Inertia			
				5/4 load	4/4 load	3/4 load	2/4 load	5/4 load	4/4 load	3/4 load	2/4 load					motor	external	Startup max T/TR	
kW		rpm	A	%	%	%	%	cos φ	cos φ	cos φ	cos φ	Nm	[-]	[-]	[-]	kgm ²	kgm ²	[-]	
2-pole: n_{sync} = 3600 rpm at 60 Hz																			
1760	1RA7 452-2FA10-0C.0	3572	182	95.5	96.1	96.2	95.8	0.86	0.88	0.88	0.87	4705	2.00	0.50	4.5	13	80	o.r.	
2000	1RA7 453-2FA10-0A.0	3574	210	95.7	96.3	96.4	95.9	0.85	0.87	0.85	0.81	5344	2.05	0.40	5.0	10	15	o.r.	
2050	1RA7 453-2FA10-0C.0	3572	210	95.6	96.3	96.3	95.9	0.86	0.88	0.88	0.87	5480	2.00	0.50	4.5	14	80	o.r.	
2150	1RA7 454-2FA10-0A.0	3575	220	95.8	96.4	96.5	96.1	0.87	0.88	0.87	0.83	5743	2.20	0.50	5.1	11	20	o.r.	
2200	1RA7 454-2FA10-0C.0	3573	225	95.8	96.4	96.4	96.1	0.88	0.89	0.90	0.88	5880	2.10	0.50	5.0	15	85	o.r.	
2400	1RA7 457-2FA10-0A.0	3575	245	96.0	96.5	96.6	96.1	0.86	0.88	0.87	0.83	6411	2.20	0.50	5.2	12	20	o.r.	
2450	1RA7 457-2FA10-0C.0	3574	250	95.9	96.5	96.6	96.2	0.87	0.89	0.89	0.88	6546	2.10	0.50	5.0	16	90	o.r.	
2550	1RA7 458-2FA10-0A.0	3576	255	96.1	96.7	96.8	96.4	0.88	0.90	0.89	0.86	6809	2.30	0.55	5.5	13	25	o.r.	
2600	1RA7 458-2FA10-0C.0	3574	260	96.1	96.6	96.8	96.4	0.89	0.91	0.91	0.90	6947	2.25	0.60	5.2	17	95	o.r.	
3150	1RA7 503-2FA10-0C.0	3573	325	96.2	96.6	96.8	96.6	0.87	0.88	0.89	0.86	8419	2.15	0.60	4.2	20	62	o.r.	
3400	1RA7 504-2FA10-0C.0	3573	350	96.3	96.7	96.9	96.7	0.87	0.88	0.89	0.84	9087	2.15	0.60	4.2	21	58	o.r.	
3800	1RA7 507-2FA10-0C.0	3574	385	96.5	96.9	97.1	96.9	0.88	0.89	0.90	0.87	10153	2.20	0.65	4.4	24	64	o.r.	
4200	1RA7 508-2FA10-0C.0	3578	420	96.8	97.1	97.2	96.9	0.90	0.90	0.90	0.86	11209	2.55	0.70	5.3	27	74	o.r.	
4910	1RA7 562-2FA10-0CC0	3578	500	96.3	96.7	96.8	96.4	0.85	0.88	0.88	0.86	13104	2.00	0.50	4.6	41	145	o.r.	
5730	1RA7 564-2FA10-0CC0	3581	590	96.5	96.9	96.9	96.4	0.86	0.88	0.88	0.86	15280	2.15	0.50	4.9	47	160	o.r.	
6010	1RA7 567-2FA10-0CC0	3581	600	96.6	97.0	97.0	96.6	0.88	0.90	0.90	0.88	16027	2.30	0.50	5.2	52	180	o.r.	
6960	1RA7 568-2FA10-0CC0	3583	700	96.9	97.2	97.2	96.8	0.88	0.90	0.89	0.87	18550	2.35	0.55	5.4	58	185	o.r.	
4-pole: n_{sync} = 1800 rpm at 60 Hz																			
1850	1RA7 453-4FA10-0A.0	1779	194	95.2	96.0	96.4	96.3	0.86	0.87	0.85	0.80	9930	2.10	0.55	5.0	17	150	o.r.	
1930	1RA7 453-4FA10-0C.0	1782	200	95.4	96.2	96.5	96.4	0.86	0.87	0.85	0.80	10342	2.05	0.45	4.5	23	270	o.r.	
2030	1RA7 454-4FA10-0A.0	1781	210	95.5	96.2	96.5	96.4	0.87	0.88	0.85	0.79	10884	2.25	0.65	5.2	19	185	o.r.	
2110	1RA7 454-4FA10-0C.0	1783	220	95.6	96.3	96.6	96.6	0.87	0.88	0.87	0.82	11301	2.05	0.45	4.5	25	300	o.r.	
2350	1RA7 457-4FA10-0A.0	1782	240	95.9	96.5	96.7	96.6	0.88	0.88	0.86	0.79	12593	2.45	0.75	5.8	22	245	o.r.	
2450	1RA7 457-4FA10-0C.0	1785	250	96.0	96.6	96.9	96.7	0.88	0.89	0.87	0.82	13107	2.20	0.50	5.0	30	385	o.r.	
2550	1RA7 458-4FA10-0A.0	1782	260	96.0	96.6	96.8	96.7	0.88	0.89	0.87	0.81	13665	2.45	0.75	5.8	24	250	o.r.	
2700	1RA7 458-4FA10-0C.0	1786	275	96.2	96.8	97.0	96.8	0.88	0.89	0.87	0.81	14436	2.35	0.55	5.2	32	415	o.r.	
3050	1RA7 503-4FA10-0A.0	1784	315	96.2	96.8	97.1	97.0	0.86	0.87	0.87	0.83	16326	2.15	0.65	4.7	37	370	o.r.	
3000	1RA7 503-4FA10-0C.0	1786	310	96.4	96.9	97.2	97.0	0.87	0.88	0.87	0.84	16040	2.10	0.50	4.4	45	235	o.r.	
3400	1RA7 504-4FA10-0A.0	1784	350	96.4	96.9	97.2	97.1	0.87	0.88	0.87	0.82	18199	2.25	0.70	5.0	40	480	o.r.	
3450	1RA7 504-4FA10-0C.0	1786	350	96.5	97.0	97.3	97.1	0.87	0.89	0.87	0.84	18446	2.20	0.50	4.5	50	550	o.r.	
3750	1RA7 507-4FA10-0A.0	1786	385	96.6	97.0	97.3	97.0	0.87	0.88	0.86	0.80	20050	2.40	0.80	5.4	46	415	o.r.	
3800	1RA7 507-4FA10-0C.0	1788	385	96.7	97.1	97.3	97.1	0.88	0.89	0.87	0.83	20295	2.40	0.55	5.0	56	465	o.r.	
4000	1RA7 508-4FA10-0A.0	1786	405	96.7	97.1	97.3	97.1	0.88	0.89	0.87	0.82	21387	2.60	0.90	5.8	50	405	o.r.	
4100	1RA7 508-4FA10-0C.0	1788	415	96.8	97.2	97.4	97.1	0.88	0.89	0.88	0.83	21897	2.45	0.60	5.1	62	440	o.r.	
4400	1RA7 563-4FA10-0C.0	1789	450	96.8	97.2	97.5	97.3	0.86	0.88	0.88	0.85	23486	2.00	0.55	4.8	80	470	o.r.	
5000	1RA7 564-4FA10-0C.0	1790	505	97.0	97.3	97.6	97.4	0.88	0.89	0.89	0.86	26674	2.15	0.65	5.2	90	520	o.r.	

Innomotics HV M - 1RA. IC01 6600 V / 60 Hz B3 (IM 1001)																		
Rated power IEC	Article No.	Speed	Rated current I_R	Efficiency				Power factor				Torque T_R	Breakdown torque T_B/ T_R	Locked torque T_{LR}/ T_R	Locked rotor current I_{LR}/ I_R	Inertia		
				5/4 load	4/4 load	3/4 load	2/4 load	5/4 load	4/4 load	3/4 load	2/4 load					motor	external	Startup max T/TR
kW		rpm	A	%	%	%	%	cos φ	cos φ	cos φ	cos φ	Nm	[-]	[-]	[-]	kgm ²	kgm ²	[-]
5650	1RA7 566-4FA10-0C.0	1789	564	97.0	97.4	97.7	97.6	0.88	0.90	0.89	0.87	30158	2.10	0.60	5.1	100	565	o.r.
6300	1RA7 567-4FA10-0C.0	1789	628	97.1	97.5	97.8	97.7	0.88	0.90	0.90	0.88	33628	2.10	0.60	5.1	110	610	o.r.
7100	1RA7 568-4FA10-0C.0	1789	707	97.2	97.6	97.9	97.8	0.88	0.90	0.90	0.89	37898	2.00	0.60	4.9	119	640	o.r.
6-pole: n_{sync} = 1200 rpm at 60 Hz																		
1420	1RA7 452-6FA10-0A.0	1187	158	94.9	95.7	96.0	96.0	0.82	0.82	0.78	0.68	11424	2.10	0.70	5.0	20	480	o.r.
1580	1RA7 453-6FA10-0A.0	1187	174	95.1	95.9	96.2	96.3	0.82	0.83	0.79	0.70	12711	2.10	0.70	5.0	22	595	o.r.
1600	1RA7 453-6FA10-0C.0	1187	172	95.0	95.9	96.3	96.4	0.83	0.85	0.83	0.77	12872	2.00	0.55	4.5	30	790	o.r.
1720	1RA7 454-6FA10-0A.0	1188	186	95.2	96.0	96.3	96.4	0.83	0.84	0.80	0.71	13826	2.10	0.70	5.0	24	640	o.r.
1750	1RA7 454-6FA10-0C.0	1187	188	95.1	96.0	96.4	96.5	0.84	0.85	0.83	0.78	14079	2.00	0.55	4.5	33	835	o.r.
1880	1RA7 457-6FA10-0A.0	1188	200	95.3	96.1	96.5	96.5	0.83	0.85	0.82	0.74	15112	2.10	0.70	5.0	28	710	o.r.
1900	1RA7 457-6FA10-0C.0	1187	200	95.3	96.1	96.5	96.6	0.84	0.86	0.84	0.79	15285	2.05	0.55	4.6	36	950	o.r.
2070	1RA7 458-6FA10-0A.0	1189	220	95.6	96.3	96.6	96.6	0.84	0.85	0.81	0.73	16625	2.20	0.80	5.4	31	780	o.r.
2100	1RA7 458-6FA10-0C.0	1189	220	95.6	96.3	96.7	96.7	0.85	0.87	0.85	0.79	16866	2.20	0.65	5.0	41	990	o.r.
2520	1RA7 503-6FA10-0A.0	1189	270	95.9	96.5	96.9	96.8	0.83	0.84	0.81	0.73	20239	2.15	0.80	4.6	46	1200	o.r.
2440	1RA7 503-6FA10-0C.0	1191	260	96.1	96.7	97.0	96.9	0.84	0.85	0.83	0.77	19564	2.15	0.70	4.4	60	1250	o.r.
2820	1RA7 504-6FA10-0A.0	1190	305	96.1	96.7	96.9	96.9	0.83	0.83	0.79	0.70	22629	2.25	0.90	4.7	51	1350	o.r.
2860	1RA7 504-6FA10-0C.0	1191	305	96.3	96.8	97.1	97.0	0.84	0.85	0.82	0.76	22931	2.15	0.70	4.3	66	1400	o.r.
3050	1RA7 507-6FA10-0A.0	1190	330	96.3	96.8	97.1	97.0	0.83	0.84	0.80	0.71	24475	2.30	0.85	4.9	58	1500	o.r.
3140	1RA7 507-6FA10-0C.0	1191	335	96.4	97.0	97.2	97.1	0.84	0.85	0.83	0.77	25176	2.15	0.65	4.4	74	1550	o.r.
3250	1RA7 508-6FA10-0C.0	1192	340	96.5	97.0	97.2	97.2	0.85	0.86	0.84	0.78	26036	2.20	0.75	4.5	81	1650	o.r.
3160	1RA7 508-6FA10-0A.0	1189	330	96.3	96.8	97.2	97.2	0.84	0.86	0.85	0.79	25379	2.15	0.85	4.7	63	1600	o.r.
4000	1RA7 562-6FA10-0C.0	1191	425	96.4	96.9	97.1	96.9	0.84	0.85	0.84	0.79	32072	2.20	0.60	4.8	105	1140	o.r.
3550	1RA7 562-6FA10-0H.0	1192	375	96.4	96.9	97.0	96.8	0.85	0.86	0.85	0.81	28440	2.25	0.60	5.0	105	1180	o.r.
4650	1RA7 567-6FA10-0C.0	1192	480	96.6	97.1	97.3	97.2	0.85	0.87	0.86	0.82	37252	2.25	0.60	5.0	134	1490	o.r.
5100	1RA7 568-6FA10-0C.0	1193	530	96.9	97.3	97.4	97.3	0.86	0.87	0.86	0.82	40823	2.35	0.65	5.2	150	1930	o.r.
8-pole: n_{sync} = 900 rpm at 60 Hz																		
1040	1RA7 452-8FA10-0A.0	889	120	94.3	95.3	95.6	95.3	0.79	0.80	0.75	0.64	11171	1.80	0.55	4.5	25	1150	o.r.
1110	1RA7 452-8FA10-0C.0	889	126	94.2	95.2	95.6	95.4	0.80	0.81	0.78	0.68	11923	1.85	0.50	4.5	32	1510	o.r.
1130	1RA7 453-8FA10-0A.0	889	128	94.5	95.5	95.8	95.6	0.79	0.81	0.77	0.67	12138	1.80	0.55	4.5	28	1180	o.r.
1220	1RA7 453-8FA10-0C.0	889	136	94.4	95.5	95.9	95.8	0.80	0.82	0.79	0.71	13105	1.85	0.50	4.5	36	1600	o.r.
1250	1RA7 454-8FA10-0A.0	890	142	94.5	95.5	95.8	95.6	0.80	0.81	0.77	0.66	13412	1.85	0.55	4.5	31	1200	o.r.
1300	1RA7 454-8FA10-0C.0	890	144	94.6	95.5	95.8	95.6	0.82	0.83	0.79	0.69	13948	2.00	0.55	4.5	40	1650	o.r.
1400	1RA7 457-8FA10-0A.0	890	158	94.8	95.7	96.0	95.7	0.80	0.81	0.77	0.66	15021	1.90	0.60	4.5	35	1740	o.r.
1460	1RA7 457-8FA10-0C.0	890	160	94.9	95.7	96.0	95.8	0.82	0.83	0.79	0.69	15665	2.05	0.55	5.0	45	2200	o.r.
1530	1RA7 458-8FA10-0A.0	890	172	94.9	95.8	96.1	95.8	0.80	0.81	0.77	0.67	16416	1.90	0.60	4.5	39	1950	o.r.
1570	1RA7 458-8FA10-0C.0	891	172	95.1	95.9	96.1	95.9	0.82	0.83	0.79	0.70	16826	2.15	0.55	5.0	50	2250	o.r.
1680	1RA7 502-8FA10-0C.0	891	188	95.5	96.2	96.7	96.7	0.80	0.81	0.80	0.73	18005	2.00	0.45	3.7	59	2620	o.r.

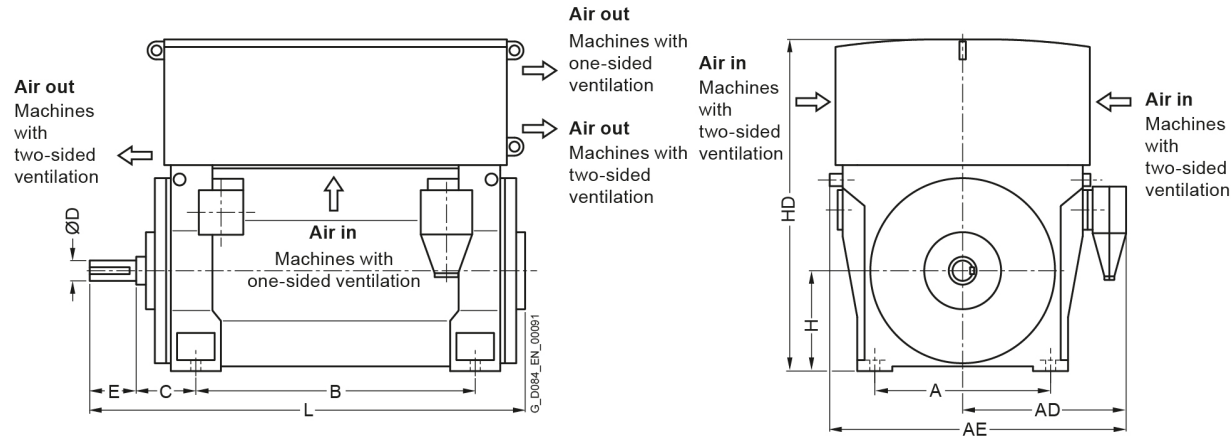
Innomotics HV M - 1RA. IC01 6600 V / 60 Hz B3 (IM 1001)																		
Rated power IEC	Article No.	Speed	Rated current I_R	Efficiency				Power factor				Torque T_R	Breakdown torque T_B/ T_R	Locked rotor torque T_{LR}/ T_R	Locked rotor current I_{LR}/ I_R	Inertia		
				5/4 load	4/4 load	3/4 load	2/4 load	5/4 load	4/4 load	3/4 load	2/4 load					motor	external	Startup max T/TR
kW		rpm	A	%	%	%	%	$\cos \varphi$	$\cos \varphi$	$\cos \varphi$	$\cos \varphi$	Nm	[-]	[-]	[-]	kgm ²	kgm ²	[-]
1800	1RA7 503-8FA10-0A.0	893	205	95.8	96.3	96.6	96.3	0.80	0.80	0.75	0.65	19248	2.15	0.75	4.3	51	2100	o.r.
1830	1RA7 503-8FA10-0C.0	892	205	95.8	96.4	96.7	96.6	0.81	0.82	0.79	0.70	19591	2.15	0.55	4.0	65	2720	o.r.
2000	1RA7 504-8FA10-0A.0	893	225	96.0	96.5	96.7	96.5	0.81	0.81	0.76	0.67	21387	2.15	0.75	4.3	56	2450	o.r.
2040	1RA7 504-8FA10-0C.0	892	225	95.9	96.5	96.8	96.7	0.81	0.83	0.79	0.71	21839	2.15	0.55	4.0	72	3080	o.r.
2200	1RA7 507-8FA10-0A.0	893	245	96.1	96.6	96.8	96.6	0.81	0.81	0.77	0.67	23526	2.15	0.75	4.4	63	2710	o.r.
2280	1RA7 507-8FA10-0C.0	892	250	96.0	96.6	96.9	96.8	0.82	0.83	0.80	0.72	24409	2.15	0.55	4.1	80	3310	o.r.
2480	1RA7 508-8FA10-0A.0	893	280	96.1	96.6	96.8	96.5	0.81	0.80	0.75	0.65	26520	2.25	0.80	4.5	69	2550	o.r.
2550	1RA7 508-8FA10-0C.0	893	280	96.1	96.6	96.9	96.8	0.82	0.83	0.79	0.70	27268	2.25	0.60	4.2	88	3150	o.r.
2800	1RA7 563-8FA10-0C.0	894	310	96.1	96.5	96.9	96.6	0.82	0.82	0.80	0.73	29908	2.10	0.55	4.6	124	2530	o.r.
3150	1RA7 564-8FA10-0C.0	894	350	96.3	96.7	97.0	96.7	0.82	0.82	0.79	0.72	33647	2.20	0.60	4.8	137	3005	o.r.
3550	1RA7 567-8FA10-0C.0	893	390	96.3	96.7	97.1	96.9	0.82	0.82	0.81	0.75	37962	2.05	0.55	4.5	150	3015	o.r.
4000	1RA7 568-8FA10-0C.0	894	440	96.5	96.8	97.2	97.0	0.82	0.82	0.81	0.74	42726	2.05	0.55	4.6	165	3725	o.r.



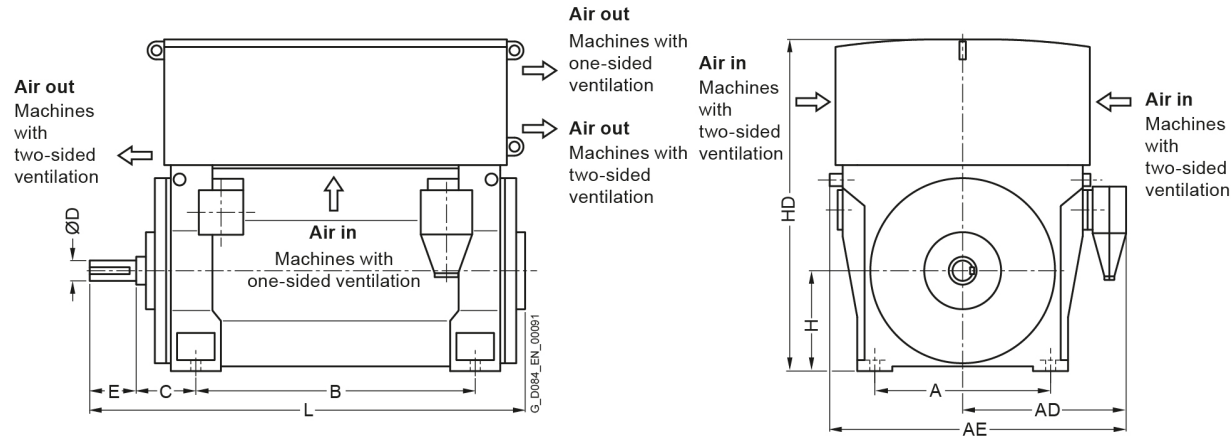
Motor type	Weight	Dimensions										
		A	AD	AE	B	C	D	E	H	HD	L	ML
	kg	mm	mm	mm	mm	mm	mm	mm	mm	mm	mm	mm
Innomotics HV M - 1RA. IC01 6600 V / 60 Hz B3 (IM 1001) - Dimension drawings												
2-pole												
1RA7 452-2FA10-0CA0	4050	850	925	1545	1180	250	95	130	450	1630	1840	200
1RA7 452-2FA10-0CC0	3950	850	925	1545	1180	475	95	130	450	1630	2270	200
1RA7 453-2FA10-0AA0	4100	850	925	1545	1180	250	95	130	450	1630	1840	200
1RA7 453-2FA10-0AC0	4000	850	925	1545	1180	475	95	130	450	1630	2270	200
1RA7 453-2FA10-0CA0	4200	850	925	1545	1180	250	95	130	450	1630	1840	200
1RA7 453-2FA10-0CC0	4100	850	925	1545	1180	475	95	130	450	1630	2270	200
1RA7 454-2FA10-0AA0	4200	850	925	1545	1180	250	95	130	450	1630	1840	200
1RA7 454-2FA10-0AC0	4100	850	925	1545	1180	475	95	130	450	1630	2270	200
1RA7 454-2FA10-0CA0	4300	850	925	1545	1180	250	95	130	450	1630	1840	200
1RA7 454-2FA10-0CC0	4200	850	925	1545	1180	475	95	130	450	1630	2270	200
1RA7 457-2FA10-0AA0	4600	850	925	1545	1400	250	95	130	450	1630	2050	200
1RA7 457-2FA10-0AC0	4500	850	925	1545	1400	475	95	130	450	1630	2480	200
1RA7 457-2FA10-0CA0	4750	850	925	1545	1400	250	95	130	450	1630	2050	200
1RA7 457-2FA10-0CC0	4650	850	925	1545	1400	475	95	130	450	1630	2480	200
1RA7 458-2FA10-0AA0	4750	850	925	1545	1400	250	95	130	450	1630	2050	200
1RA7 458-2FA10-0AC0	4650	850	925	1545	1400	475	95	130	450	1630	2480	200
1RA7 458-2FA10-0CA0	4900	850	925	1545	1400	250	95	130	450	1630	2050	200
1RA7 458-2FA10-0CC0	4800	850	925	1545	1400	475	95	130	450	1630	2480	200
1RA7 503-2FA10-0CA0	5750	950	1005	1705	1320	250	110	165	500	1890	1960	250
1RA7 503-2FA10-0CC0	5700	950	1005	1705	1320	530	120	165	500	1890	2510	250
1RA7 504-2FA10-0CA0	5850	950	1005	1705	1320	250	110	165	500	1890	1960	250
1RA7 504-2FA10-0CC0	5800	950	1005	1705	1320	530	120	165	500	1890	2510	250



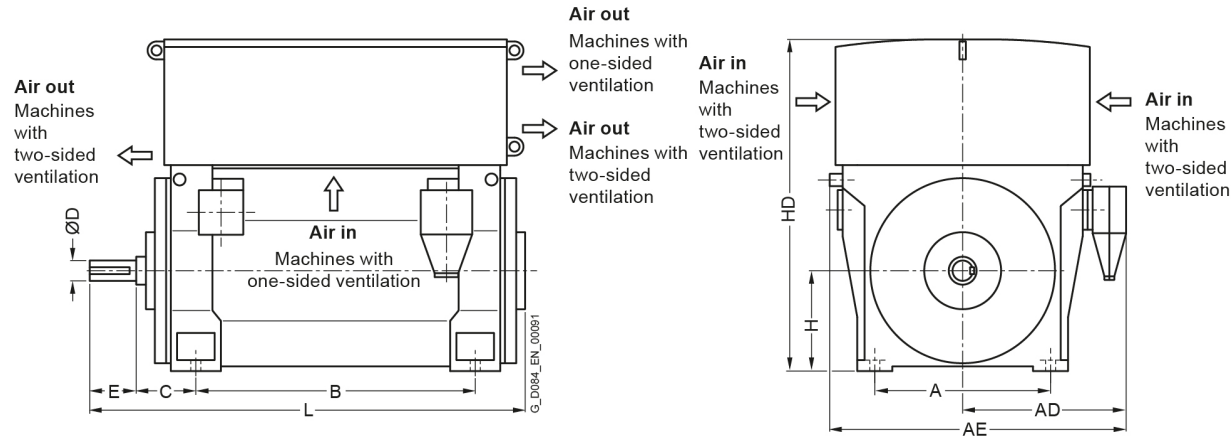
Motor type	Weight	Dimensions										
		A	AD	AE	B	C	D	E	H	HD	L	ML
	kg	mm	mm	mm	mm	mm	mm	mm	mm	mm	mm	mm
Innomotics HV M - 1RA. IC01 6600 V / 60 Hz B3 (IM 1001) - Dimension drawings												
1RA7 507-2FA10-0CA0	6500	950	1005	1705	1500	250	110	165	500	1890	2170	250
1RA7 507-2FA10-0CC0	6450	950	1005	1705	1500	530	120	165	500	1890	2720	250
1RA7 508-2FA10-0CA0	6850	950	1005	1705	1500	250	110	165	500	1890	2170	250
1RA7 508-2FA10-0CC0	6800	950	1005	1705	1500	530	120	165	500	1890	2720	250
1RA7 562-2FA10-0CC0	7400	1060	1290	2060	1400	600	150	200	560	2090	2810	300
1RA7 564-2FA10-0CC0	7900	1060	1290	2060	1400	600	150	200	560	2090	2810	300
1RA7 567-2FA10-0CC0	8700	1060	1290	2060	1600	600	150	200	560	2090	3040	300
1RA7 568-2FA10-0CC0	9300	1060	1290	2060	1600	600	150	200	560	2090	3040	300
4-pole												
1RA7 453-4FA10-0AA0	4050	850	925	1545	1180	250	130	200	450	1520	1920	200
1RA7 453-4FA10-0AC0	4050	850	925	1545	1180	500	130	200	450	1520	2390	200
1RA7 453-4FA10-0CA0	4150	850	925	1545	1180	250	130	200	450	1520	1920	200
1RA7 453-4FA10-0CC0	4200	850	925	1545	1180	500	130	200	450	1520	2390	200
1RA7 454-4FA10-0AA0	4200	850	925	1545	1180	250	130	200	450	1520	1920	200
1RA7 454-4FA10-0AC0	4250	850	925	1545	1180	500	130	200	450	1520	2390	200
1RA7 454-4FA10-0CA0	4350	850	925	1545	1180	250	130	200	450	1520	1920	200
1RA7 454-4FA10-0CC0	4400	850	925	1545	1180	500	130	200	450	1520	2390	200
1RA7 457-4FA10-0AA0	4800	850	925	1545	1400	250	130	200	450	1520	2130	200
1RA7 457-4FA10-0AC0	4850	850	925	1545	1400	500	130	200	450	1520	2600	200
1RA7 457-4FA10-0CA0	4950	850	925	1545	1400	250	130	200	450	1520	2130	200
1RA7 457-4FA10-0CC0	5000	850	925	1545	1400	500	130	200	450	1520	2600	200
1RA7 458-4FA10-0AA0	5050	850	925	1545	1400	250	130	200	450	1520	2130	200
1RA7 458-4FA10-0AC0	5050	850	925	1545	1400	500	130	200	450	1520	2600	200



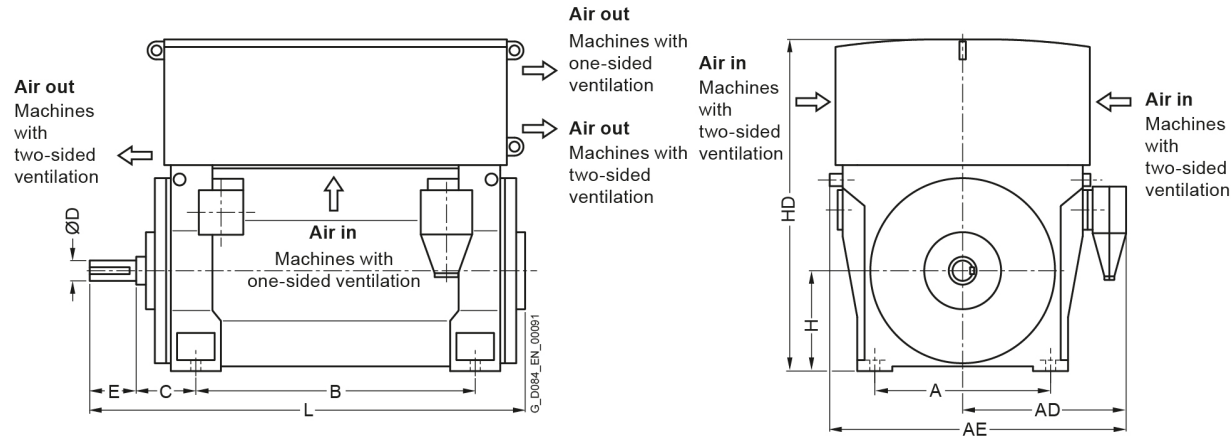
Motor type	Weight	Dimensions												
		A	AD	AE	B	C	D	E	H	HD	L	ML		
	kg	mm	mm	mm	mm	mm	mm	mm	mm	mm	mm	mm	mm	
Innomotics HV M - 1RA. IC01 6600 V / 60 Hz B3 (IM 1001) - Dimension drawings														
1RA7 458-4FA10-0CA0	5200	850	925	1545	1400	250	130	200	450	1520	2130	200		
1RA7 458-4FA10-0CC0	5200	850	925	1545	1400	500	130	200	450	1520	2600	200		
1RA7 503-4FA10-0AA0	5900	950	1005	1705	1320	315	160	240	500	1890	2180	250		
1RA7 503-4FA10-0AC0	5950	950	1005	1705	1320	560	170	240	500	1890	2620	250		
1RA7 503-4FA10-0CA0	6050	950	1005	1705	1320	315	160	240	500	1890	2180	250		
1RA7 503-4FA10-0CC0	6100	950	1005	1705	1320	560	170	240	500	1890	2620	250		
1RA7 504-4FA10-0AA0	6200	950	1005	1705	1320	315	160	240	500	1890	2180	250		
1RA7 504-4FA10-0AC0	6250	950	1005	1705	1320	560	170	240	500	1890	2620	250		
1RA7 504-4FA10-0CA0	6350	950	1005	1705	1320	315	160	240	500	1890	2180	250		
1RA7 504-4FA10-0CC0	6400	950	1005	1705	1320	560	170	240	500	1890	2620	250		
1RA7 507-4FA10-0AA0	6800	950	1005	1705	1500	315	160	240	500	1890	2390	250		
1RA7 507-4FA10-0AC0	6900	950	1005	1705	1500	560	170	240	500	1890	2830	250		
1RA7 507-4FA10-0CA0	7000	950	1005	1705	1500	315	160	240	500	1890	2390	250		
1RA7 507-4FA10-0CC0	7050	950	1005	1705	1500	560	170	240	500	1890	2830	250		
1RA7 508-4FA10-0AA0	7100	950	1005	1705	1500	315	160	240	500	1890	2390	250		
1RA7 508-4FA10-0AC0	7200	950	1005	1705	1500	560	170	240	500	1890	2830	250		
1RA7 508-4FA10-0CA0	7300	950	1005	1705	1500	315	160	240	500	1890	2390	250		
1RA7 508-4FA10-0CC0	7350	950	1005	1705	1500	560	170	240	500	1890	2830	250		
1RA7 563-4FA10-0CA0	7750	1060	1290	2060	1400	335	190	280	560	2090	2390	300		
1RA7 563-4FA10-0CC0	7850	1060	1290	2060	1400	600	190	280	560	2090	2850	300		
1RA7 564-4FA10-0CA0	8200	1060	1290	2060	1400	335	190	280	560	2090	2390	300		
1RA7 564-4FA10-0CC0	8250	1060	1290	2060	1400	600	190	280	560	2090	2850	300		
1RA7 566-4FA10-0CA0	9050	1060	1290	2060	1600	335	190	280	560	2090	2620	300		



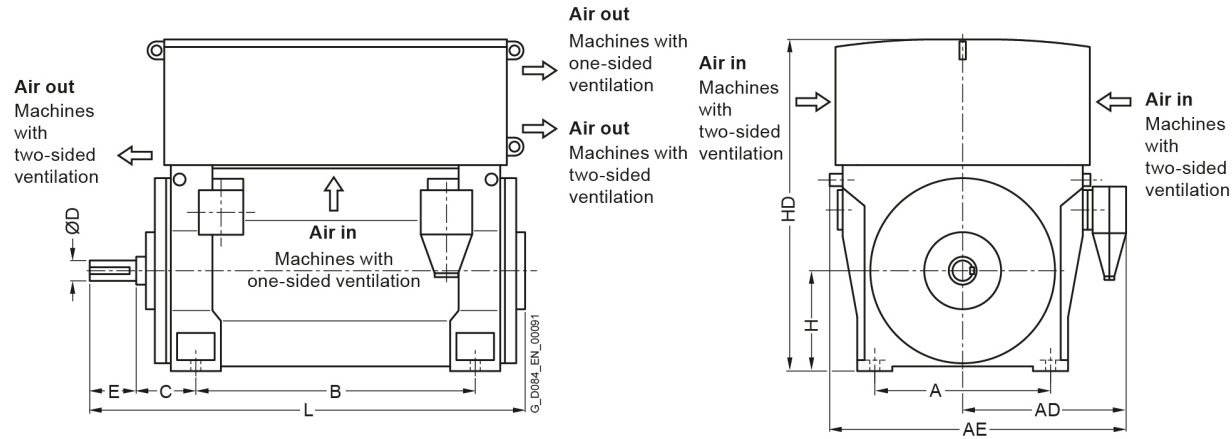
Motor type	Weight	Dimensions										
		A	AD	AE	B	C	D	E	H	HD	L	ML
	kg	mm	mm	mm	mm	mm	mm	mm	mm	mm	mm	mm
Innomotics HV M - 1RA. IC01 6600 V / 60 Hz B3 (IM 1001) - Dimension drawings												
1RA7 566-4FA10-0CC0	9100	1060	1290	2060	1600	600	190	280	560	2090	3080	300
1RA7 567-4FA10-0CA0	9500	1060	1290	2060	1600	335	190	280	560	2090	2620	300
1RA7 567-4FA10-0CC0	9600	1060	1290	2060	1600	600	190	280	560	2090	3080	300
1RA7 568-4FA10-0CA0	10000	1060	1290	2060	1600	335	190	280	560	2090	2620	300
1RA7 568-4FA10-0CC0	10050	1060	1290	2060	1600	600	190	280	560	2090	3080	300
6-pole												
1RA7 452-6FA10-0AA0	3900	850	925	1545	1180	250	130	200	450	1520	1920	200
1RA7 452-6FA10-0AC0	3950	850	925	1545	1180	500	130	200	450	1520	2390	200
1RA7 453-6FA10-0AA0	4050	850	925	1545	1180	250	130	200	450	1520	1920	200
1RA7 453-6FA10-0AC0	4100	850	925	1545	1180	500	130	200	450	1520	2390	200
1RA7 453-6FA10-0CA0	4250	850	925	1545	1180	250	130	200	450	1520	1920	200
1RA7 453-6FA10-0CC0	4250	850	925	1545	1180	500	130	200	450	1520	2390	200
1RA7 454-6FA10-0AA0	4250	850	925	1545	1180	250	130	200	450	1520	1920	200
1RA7 454-6FA10-0AC0	4250	850	925	1545	1180	500	130	200	450	1520	2390	200
1RA7 454-6FA10-0CA0	4400	850	925	1545	1180	250	130	200	450	1520	1920	200
1RA7 454-6FA10-0CC0	4450	850	925	1545	1180	500	130	200	450	1520	2390	200
1RA7 457-6FA10-0AA0	4700	850	925	1545	1400	250	130	200	450	1520	2130	200
1RA7 457-6FA10-0AC0	4750	850	925	1545	1400	500	130	200	450	1520	2600	200
1RA7 457-6FA10-0CA0	4900	850	925	1545	1400	250	130	200	450	1520	2130	200
1RA7 457-6FA10-0CC0	4900	850	925	1545	1400	500	130	200	450	1520	2600	200
1RA7 458-6FA10-0AA0	5000	850	925	1545	1400	250	130	200	450	1520	2130	200
1RA7 458-6FA10-0AC0	5000	850	925	1545	1400	500	130	200	450	1520	2600	200
1RA7 458-6FA10-0CA0	5200	850	925	1545	1400	250	130	200	450	1520	2130	200



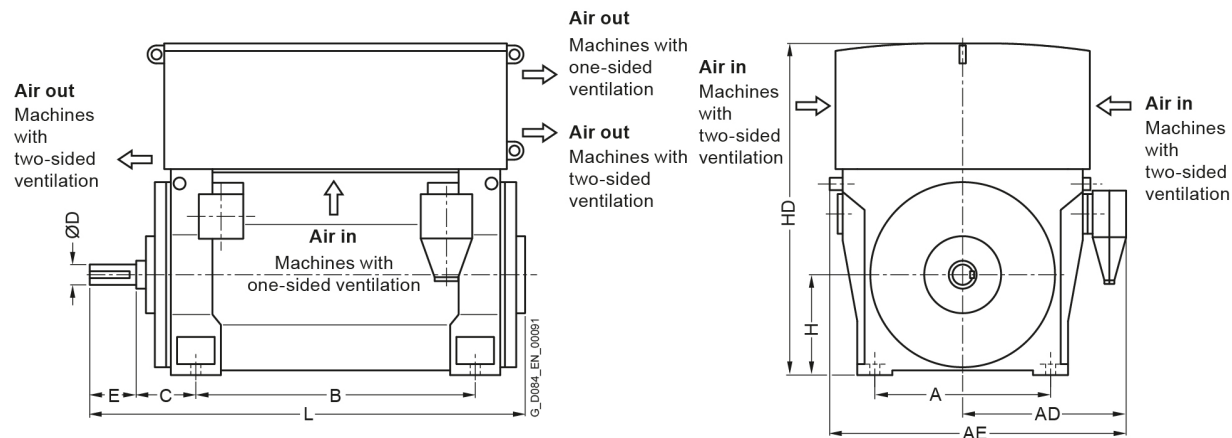
Motor type	Weight	Dimensions												
		A	AD	AE	B	C	D	E	H	HD	L	ML		
	kg	mm	mm	mm	mm	mm	mm	mm	mm	mm	mm	mm	mm	
Innomotics HV M - 1RA. IC01 6600 V / 60 Hz B3 (IM 1001) - Dimension drawings														
1RA7 458-6FA10-0CC0	5200	850	925	1545	1400	500	130	200	450	1520	2600	200		
1RA7 503-6FA10-0AA0	5950	950	1005	1705	1320	315	160	240	500	1690	2180	250		
1RA7 503-6FA10-0AC0	6000	950	1005	1705	1320	560	170	240	500	1690	2620	250		
1RA7 503-6FA10-0CA0	6200	950	1005	1705	1320	315	160	240	500	1690	2180	250		
1RA7 503-6FA10-0CC0	6250	950	1005	1705	1320	560	170	240	500	1690	2620	250		
1RA7 504-6FA10-0AA0	6250	950	1005	1705	1320	315	160	240	500	1690	2180	250		
1RA7 504-6FA10-0AC0	6300	950	1005	1705	1320	560	170	240	500	1690	2620	250		
1RA7 504-6FA10-0CA0	6450	950	1005	1705	1320	315	160	240	500	1690	2180	250		
1RA7 504-6FA10-0CC0	6500	950	1005	1705	1320	560	170	240	500	1690	2620	250		
1RA7 507-6FA10-0AA0	6900	950	1005	1705	1500	315	160	240	500	1690	2390	250		
1RA7 507-6FA10-0AC0	6950	950	1005	1705	1500	560	170	240	500	1690	2830	250		
1RA7 507-6FA10-0CA0	7150	950	1005	1705	1500	315	160	240	500	1690	2390	250		
1RA7 507-6FA10-0CC0	7200	950	1005	1705	1500	560	170	240	500	1690	2830	250		
1RA7 508-6FA10-0CA0	7450	950	1005	1705	1500	315	160	240	500	1690	2390	250		
1RA7 508-6FA10-0CC0	7550	950	1005	1705	1500	560	170	240	500	1690	2830	250		
1RA7 508-6FA10-0AA0	7200	950	1005	1705	1500	315	160	240	500	1690	2390	250		
1RA7 508-6FA10-0AC0	7250	950	1005	1705	1500	560	170	240	500	1690	2830	250		
1RA7 562-6FA10-0CA0	8000	1060	1290	2060	1400	335	190	280	560	1910	2390	300		
1RA7 562-6FA10-0CC0	8050	1060	1290	2060	1400	600	190	280	560	1910	2850	300		
1RA7 562-6FA10-0HA0	7950	1060	1290	2060	1400	335	190	280	560	1910	2390	300		
1RA7 562-6FA10-0HC0	8000	1060	1290	2060	1400	600	190	280	560	1910	2850	300		
1RA7 567-6FA10-0CA0	9450	1060	1290	2060	1600	335	190	280	560	1910	2620	300		
1RA7 567-6FA10-0CC0	9550	1060	1290	2060	1600	600	190	280	560	1910	3080	300		



Motor type	Weight	Dimensions										
		A	AD	AE	B	C	D	E	H	HD	L	ML
	kg	mm	mm	mm	mm	mm	mm	mm	mm	mm	mm	mm
Innomotics HV M - 1RA. IC01 6600 V / 60 Hz B3 (IM 1001) - Dimension drawings												
1RA7 568-6FA10-0CA0	10100	1060	1290	2060	1600	335	190	280	560	1910	2620	300
1RA7 568-6FA10-0CC0	10150	1060	1290	2060	1600	600	190	280	560	1910	3080	300
8-pole												
1RA7 452-8FA10-0AA0	4050	850	925	1545	1180	250	130	200	450	1520	1920	200
1RA7 452-8FA10-0AC0	4100	850	925	1545	1180	500	130	200	450	1520	2390	200
1RA7 452-8FA10-0CA0	4200	850	925	1545	1180	250	130	200	450	1520	1920	200
1RA7 452-8FA10-0CC0	4250	850	925	1545	1180	500	130	200	450	1520	2390	200
1RA7 453-8FA10-0AA0	4250	850	925	1545	1180	250	130	200	450	1520	1920	200
1RA7 453-8FA10-0AC0	4300	850	925	1545	1180	500	130	200	450	1520	2390	200
1RA7 453-8FA10-0CA0	4400	850	925	1545	1180	250	130	200	450	1520	1920	200
1RA7 453-8FA10-0CC0	4450	850	925	1545	1180	500	130	200	450	1520	2390	200
1RA7 454-8FA10-0AA0	4450	850	925	1545	1180	250	130	200	450	1520	1920	200
1RA7 454-8FA10-0AC0	4500	850	925	1545	1180	500	130	200	450	1520	2390	200
1RA7 454-8FA10-0CA0	4600	850	925	1545	1180	250	130	200	450	1520	1920	200
1RA7 454-8FA10-0CC0	4650	850	925	1545	1180	500	130	200	450	1520	2390	200
1RA7 457-8FA10-0AA0	4950	850	925	1545	1400	250	130	200	450	1520	2130	200
1RA7 457-8FA10-0AC0	5000	850	925	1545	1400	500	130	200	450	1520	2600	200
1RA7 457-8FA10-0CA0	5150	850	925	1545	1400	250	130	200	450	1520	2130	200
1RA7 457-8FA10-0CC0	5200	850	925	1545	1400	500	130	200	450	1520	2600	200
1RA7 458-8FA10-0AA0	5250	850	925	1545	1400	250	130	200	450	1520	2130	200
1RA7 458-8FA10-0AC0	5250	850	925	1545	1400	500	130	200	450	1520	2600	200
1RA7 458-8FA10-0CA0	5450	850	925	1545	1400	250	130	200	450	1520	2130	200
1RA7 458-8FA10-0CC0	5450	850	925	1545	1400	500	130	200	450	1520	2600	200



Motor type	Weight	Dimensions											
		A	AD	AE	B	C	D	E	H	HD	L	ML	
	kg	mm	mm	mm	mm	mm	mm	mm	mm	mm	mm	mm	mm
Innomotics HV M - 1RA. IC01 6600 V / 60 Hz B3 (IM 1001) - Dimension drawings													
1RA7 502-8FA10-0CA0	5900	950	1005	1705	1320	315	160	240	500	1690	2180	250	
1RA7 502-8FA10-0CC0	5950	950	1005	1705	1320	560	170	240	500	1690	2620	250	
1RA7 503-8FA10-0AA0	5950	950	1005	1705	1320	315	160	240	500	1690	2180	250	
1RA7 503-8FA10-0AC0	6000	950	1005	1705	1320	560	170	240	500	1690	2620	250	
1RA7 503-8FA10-0CA0	6200	950	1005	1705	1320	315	160	240	500	1690	2180	250	
1RA7 503-8FA10-0CC0	6250	950	1005	1705	1320	560	170	240	500	1690	2620	250	
1RA7 504-8FA10-0AA0	6250	950	1005	1705	1320	315	160	240	500	1690	2180	250	
1RA7 504-8FA10-0AC0	6300	950	1005	1705	1320	560	170	240	500	1690	2620	250	
1RA7 504-8FA10-0CA0	6500	950	1005	1705	1320	315	160	240	500	1690	2180	250	
1RA7 504-8FA10-0CC0	6550	950	1005	1705	1320	560	170	240	500	1690	2620	250	
1RA7 507-8FA10-0AA0	6900	950	1005	1705	1500	315	160	240	500	1690	2390	250	
1RA7 507-8FA10-0AC0	6950	950	1005	1705	1500	560	170	240	500	1690	2830	250	
1RA7 507-8FA10-0CA0	7150	950	1005	1705	1500	315	160	240	500	1690	2390	250	
1RA7 507-8FA10-0CC0	7200	950	1005	1705	1500	560	170	240	500	1690	2830	250	
1RA7 508-8FA10-0AA0	7250	950	1005	1705	1500	315	160	240	500	1690	2390	250	
1RA7 508-8FA10-0AC0	7300	950	1005	1705	1500	560	170	240	500	1690	2830	250	
1RA7 508-8FA10-0CA0	7500	950	1005	1705	1500	315	160	240	500	1690	2390	250	
1RA7 508-8FA10-0CC0	7550	950	1005	1705	1500	560	170	240	500	1690	2830	250	
1RA7 563-8FA10-0CA0	8000	1060	1075	1845	1400	335	190	280	560	1910	2390	300	
1RA7 563-8FA10-0CC0	8100	1060	1075	1845	1400	600	190	280	560	1910	2850	300	
1RA7 564-8FA10-0CA0	8450	1060	1075	1845	1400	335	190	280	560	1910	2390	300	
1RA7 564-8FA10-0CC0	8550	1060	1075	1845	1400	600	190	280	560	1910	2850	300	
1RA7 567-8FA10-0CA0	9350	1060	1075	1845	1600	335	190	280	560	1910	2620	300	

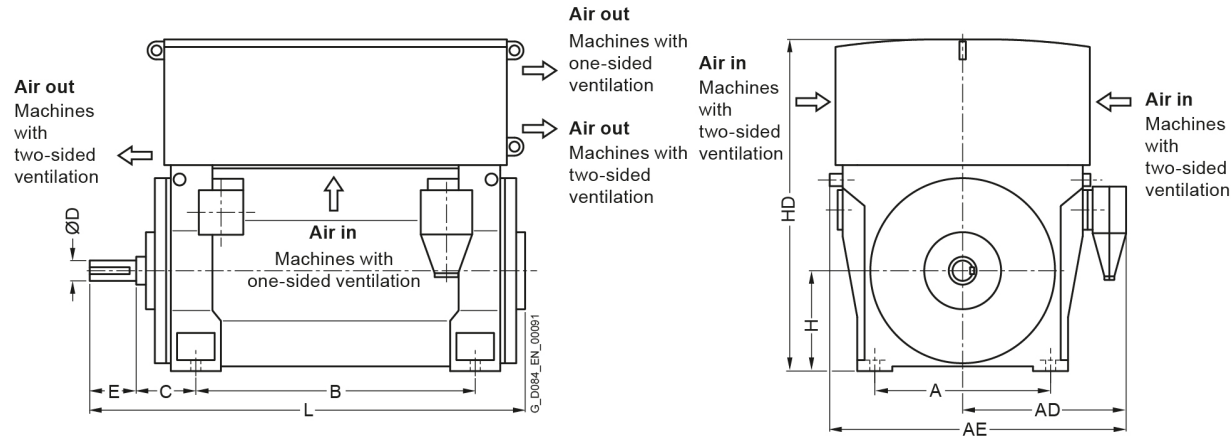


Motor type	Weight	Dimensions										
		A	AD	AE	B	C	D	E	H	HD	L	ML
	kg	mm	mm	mm	mm	mm	mm	mm	mm	mm	mm	mm
Innomotics HV M - 1RA. IC01 6600 V / 60 Hz B3 (IM 1001) - Dimension drawings												
1RA7 567-8FA10-0CC0	9400	1060	1075	1845	1600	600	190	280	560	1910	3080	300
1RA7 568-8FA10-0CA0	9850	1060	1075	1845	1600	335	190	280	560	1910	2620	300
1RA7 568-8FA10-0CC0	9900	1060	1075	1845	1600	600	190	280	560	1910	3080	300

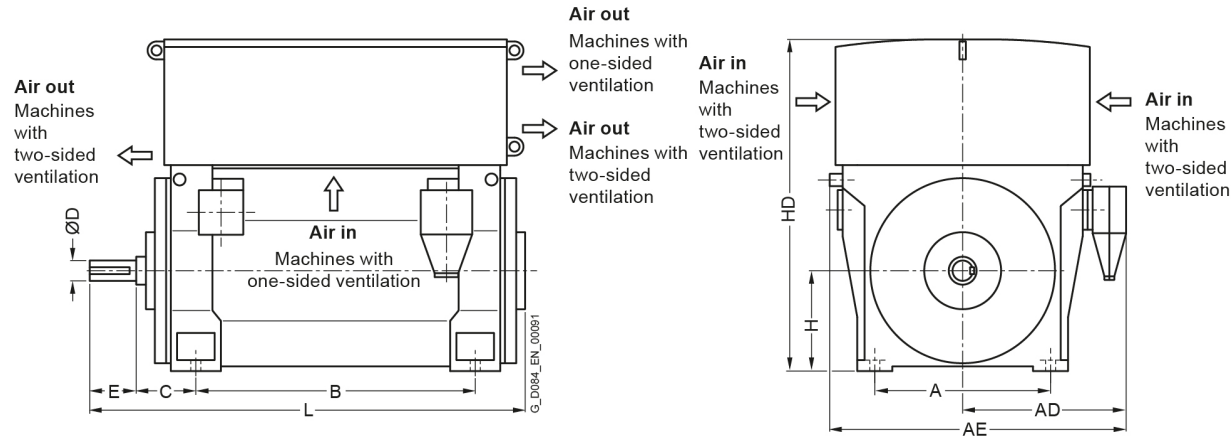
Innomotics HV M - 1RA. IC01 10000 V / 50 Hz B3 (IM 1001)																		
Rated power IEC kW	Article No.	Speed	Rated current	Efficiency				Power factor				Torque	Breakdown torque	Locked rotor torque	Locked rotor current	Inertia		
		rpm	I_R A	5/4 load	4/4 load	3/4 load	2/4 load	5/4 load	4/4 load	3/4 load	2/4 load	T_R Nm	T_B/ T_R [-]	T_{LR}/ T_R [-]	I_{LR}/ I_R [-]	motor	external	Startup max T/TR
2-pole: $n_{sync} = 3000$ rpm at 50 Hz																		
1500	1RA7 453-2FA80-0A.2	2976	102	95.1	96.0	96.3	96.2	0.87	0.89	0.89	0.85	4814	2.20	0.50	5.0	10	60	o.r.
1530	1RA7 453-2FA80-0C.0	2976	102	95.1	95.9	96.4	96.3	0.87	0.90	0.89	0.87	4910	2.10	0.55	4.7	14	80	o.r.
1680	1RA7 454-2FA80-0A.2	2977	114	95.5	96.1	96.4	96.1	0.88	0.89	0.88	0.83	5391	2.25	0.50	5.2	11	60	o.r.
1720	1RA7 454-2FA80-0C.2	2977	114	95.5	96.1	96.4	96.2	0.88	0.90	0.89	0.86	5519	2.15	0.55	5.0	15	100	o.r.
1870	1RA7 457-2FA80-0A.2	2977	126	95.5	96.2	96.6	96.4	0.87	0.89	0.89	0.85	6000	2.25	0.55	5.3	12	70	o.r.
1910	1RA7 457-2FA80-0C.2	2977	128	95.5	96.2	96.6	96.4	0.88	0.90	0.90	0.87	6133	2.15	0.55	5.0	16	120	o.r.
2050	1RA7 458-2FA80-0A.2	2978	136	95.8	96.4	96.7	96.5	0.88	0.90	0.90	0.86	6580	2.35	0.55	5.4	13	75	o.r.
2100	1RA7 458-2FA80-0C.2	2978	140	95.8	96.4	96.8	96.6	0.89	0.90	0.90	0.88	6739	2.30	0.55	5.0	18	135	o.r.
2240	1RA7 503-2FA80-0A.0	2965	150	95.5	96.3	96.8	97.0	0.87	0.89	0.89	0.87	7221	2.10	0.50	4.1	15	58	o.r.
2240	1RA7 503-2FA80-0C.0	2973	150	95.8	96.4	97.0	97.1	0.87	0.89	0.90	0.88	7198	2.05	0.55	4.0	20	154	o.r.
2450	1RA7 504-2FA80-0A.0	2968	166	95.7	96.3	96.8	96.9	0.88	0.89	0.89	0.86	7886	2.30	0.55	4.5	15	62	o.r.
2550	1RA7 504-2FA80-0C.2	2973	172	95.8	96.5	96.9	96.9	0.88	0.89	0.90	0.87	8198	2.15	0.60	4.2	21	138	o.r.
2670	1RA7 507-2FA80-0A.2	2973	178	96.0	96.6	96.9	96.9	0.89	0.90	0.90	0.86	8580	2.50	0.50	5.0	18	82	o.r.
2800	1RA7 507-2FA80-0C.2	2977	186	96.2	96.7	97.0	97.0	0.89	0.90	0.90	0.87	8989	2.35	0.55	4.7	24	158	o.r.
3000	1RA7 508-2FA80-0A.2	2974	198	96.3	96.8	97.1	97.1	0.90	0.90	0.90	0.86	9635	2.60	0.55	5.3	20	94	o.r.
3150	1RA7 508-2FA80-0C.2	2978	205	96.4	96.9	97.2	97.2	0.90	0.91	0.91	0.87	10106	2.40	0.55	4.9	27	168	o.r.
3800	1RA7 562-2FA80-0CC2	2981	250	96.4	96.6	96.8	96.5	0.90	0.90	0.90	0.86	12181	2.30	0.60	5.2	41	210	o.r.
4150	1RA7 563-2FA80-0CC2	2980	275	96.4	96.7	97.0	96.8	0.88	0.90	0.90	0.87	13304	2.05	0.50	4.6	44	245	o.r.
4750	1RA7 564-2FA80-0CC2	2982	310	96.6	96.8	97.0	96.7	0.90	0.91	0.90	0.87	15222	2.30	0.60	5.3	47	250	o.r.
5150	1RA7 567-2FA80-0CC2	2982	335	96.8	97.0	97.2	97.0	0.90	0.91	0.91	0.88	16506	2.30	0.60	5.2	52	285	o.r.
5700	1RA7 568-2FA80-0CC2	2984	370	97.0	97.2	97.3	97.0	0.92	0.92	0.91	0.88	18252	2.50	0.60	5.8	58	315	o.r.
4-pole: $n_{sync} = 1500$ rpm at 50 Hz																		
1420	1RA7 453-4FA80-0A.0	1482	97	94.8	95.7	96.1	96.2	0.87	0.88	0.87	0.81	9155	2.35	0.65	5.3	17	290	o.r.
1470	1RA7 453-4FA80-0C.0	1485	100	95.0	95.9	96.3	96.5	0.87	0.88	0.87	0.83	9460	2.10	0.50	4.8	23	325	o.r.
1560	1RA7 454-4FA80-0A.0	1482	106	95.0	95.8	96.3	96.4	0.88	0.89	0.87	0.83	10058	2.40	0.65	5.4	19	320	o.r.
1600	1RA7 454-4FA80-0C.2	1486	108	95.3	96.2	96.5	96.6	0.87	0.89	0.88	0.84	10292	2.20	0.50	5.0	26	405	o.r.
1900	1RA7 457-4FA80-0C.2	1487	128	95.7	96.4	96.7	96.7	0.88	0.89	0.88	0.83	12205	2.40	0.55	5.2	30	525	o.r.
1820	1RA7 457-4FA80-0A.0	1483	122	95.4	96.2	96.5	96.7	0.89	0.89	0.88	0.83	11724	2.45	0.70	5.8	22	390	o.r.
1970	1RA7 458-4FA80-0A.2	1485	132	95.7	96.3	96.6	96.6	0.89	0.89	0.87	0.81	12678	2.75	0.80	6.0	24	455	o.r.
2060	1RA7 458-4FA80-0C.2	1488	138	95.9	96.5	96.8	96.8	0.89	0.89	0.88	0.83	13230	2.50	0.60	5.3	33	620	o.r.
2220	1RA7 503-4FA80-0A.2	1486	150	95.8	96.5	97.0	97.1	0.88	0.89	0.88	0.85	14275	2.25	0.80	5.0	37	625	o.r.
2240	1RA7 503-4FA80-0C.0	1487	148	95.8	96.5	97.0	97.0	0.88	0.90	0.89	0.86	14402	2.20	0.60	4.6	45	645	o.r.
2500	1RA7 504-4FA80-0C.2	1488	168	96.0	96.6	97.1	97.0	0.88	0.89	0.88	0.85	16064	2.20	0.55	4.6	50	630	o.r.
2450	1RA7 504-4FA80-0A.2	1486	164	95.8	96.6	97.1	97.2	0.87	0.89	0.89	0.86	15757	2.25	0.75	5.0	40	675	o.r.
2870	1RA7 507-4FA80-0C.2	1489	192	96.3	96.8	97.1	97.0	0.88	0.89	0.87	0.82	18423	2.35	0.55	4.8	56	875	o.r.
2610	1RA7 507-4FA80-0A.2	1486	174	95.9	96.6	97.1	97.2	0.89	0.90	0.90	0.87	16784	2.30	0.85	5.2	46	755	o.r.

Innomotics HV M - 1RA. IC01 10000 V / 50 Hz B3 (IM 1001)																		
Rated power IEC	Article No.	Speed	Rated current I_R	Efficiency				Power factor				Torque T_R	Breakdown torque T_B/ T_R	Locked torque T_{LR}/ T_R	Locked rotor current I_{LR}/ I_R	Inertia		
				5/4 load	4/4 load	3/4 load	2/4 load	5/4 load	4/4 load	3/4 load	2/4 load					motor	external	Startup max T/TR
kW		rpm	A	%	%	%	%	cos φ	cos φ	cos φ	cos φ	Nm	[-]	[-]	[-]	kgm ²	kgm ²	[-]
3150	1RA7 508-4FA80-0C.2	1490	210	96.5	97.0	97.3	97.1	0.89	0.90	0.88	0.84	20209	2.60	0.70	5.4	62	905	o.r.
2950	1RA7 508-4FA80-0A.2	1486	196	96.1	96.8	97.2	97.3	0.88	0.90	0.90	0.87	18968	2.35	0.85	5.3	50	815	o.r.
3550	1RA7 563-4FA80-0C.2	1489	238	96.3	96.9	97.3	97.3	0.87	0.89	0.88	0.85	22783	2.05	0.65	5.0	80	725	o.r.
4150	1RA7 564-4FA80-0C.2	1490	278	96.6	97.0	97.4	97.3	0.87	0.89	0.87	0.84	26609	2.20	0.60	5.3	90	835	o.r.
4700	1RA7 566-4FA80-0C.2	1490	314	96.8	97.2	97.5	97.4	0.88	0.89	0.88	0.84	30131	2.25	0.60	5.4	100	885	o.r.
5100	1RA7 567-4FA80-0C.2	1491	340	96.8	97.2	97.6	97.5	0.89	0.89	0.89	0.86	32693	2.30	0.70	5.5	110	935	o.r.
5600	1RA7 568-4FA80-0C.2	1490	369	96.9	97.3	97.7	97.7	0.89	0.90	0.90	0.87	35911	2.20	0.65	5.3	119	940	o.r.
6-pole: n_{sync} = 1000 rpm at 50 Hz																		
1000	1RA7 452-6FA80-0A.0	990	72	94.3	95.2	95.6	95.6	0.83	0.84	0.80	0.70	9655	2.35	0.70	5.2	20	495	o.r.
1020	1RA7 452-6FA80-0C.0	989	73	94.2	95.1	95.6	95.8	0.84	0.85	0.82	0.74	9850	2.30	0.60	4.9	27	645	o.r.
1120	1RA7 453-6FA80-0A.0	990	81	94.4	95.3	95.7	95.8	0.84	0.84	0.80	0.71	10816	2.30	0.70	5.1	22	535	o.r.
1150	1RA7 453-6FA80-0C.0	989	82	94.3	95.2	95.8	95.9	0.84	0.85	0.83	0.75	11108	2.25	0.60	4.8	30	680	o.r.
1250	1RA7 454-6FA80-0A.0	990	89	94.6	95.4	95.9	96.0	0.84	0.85	0.81	0.72	12073	2.35	0.70	5.2	24	595	o.r.
1270	1RA7 454-6FA80-0C.0	989	90	94.5	95.4	95.9	96.1	0.84	0.85	0.83	0.76	12264	2.30	0.60	4.9	33	770	o.r.
1360	1RA7 457-6FA80-0A.0	990	97	94.8	95.6	96.0	96.1	0.85	0.85	0.82	0.73	13128	2.40	0.80	5.3	28	655	o.r.
1400	1RA7 457-6FA80-0C.0	990	98	94.7	95.6	96.1	96.2	0.85	0.86	0.84	0.76	13520	2.30	0.65	5.0	36	840	o.r.
1480	1RA7 458-6FA80-0A.0	991	104	95.1	95.8	96.2	96.2	0.85	0.86	0.82	0.73	14277	2.50	0.80	5.5	31	785	o.r.
1520	1RA7 458-6FA80-0C.0	990	106	95.0	95.8	96.2	96.3	0.86	0.86	0.84	0.77	14669	2.45	0.65	5.1	41	950	o.r.
1670	1RA7 502-6FA80-0C.2	992	112	95.4	96.2	96.6	96.7	0.84	0.86	0.84	0.78	16101	2.15	0.65	4.4	54	1290	o.r.
1600	1RA7 502-6FA80-0A.0	991	112	95.1	96.0	96.5	96.6	0.85	0.86	0.85	0.78	15434	2.15	0.85	4.6	42	800	o.r.
1950	1RA7 503-6FA80-0C.2	992	126	95.7	96.3	96.7	96.7	0.85	0.86	0.83	0.75	18785	2.30	0.80	4.7	60	1240	o.r.
1800	1RA7 503-6FA80-0A.0	991	126	95.3	96.1	96.6	96.7	0.85	0.86	0.85	0.78	17362	2.15	0.90	4.7	46	840	o.r.
2130	1RA7 504-6FA80-0C.2	992	138	95.9	96.5	96.8	96.8	0.85	0.86	0.82	0.74	20512	2.40	0.80	4.8	66	1640	o.r.
1970	1RA7 504-6FA80-0A.2	991	138	95.5	96.2	96.7	96.7	0.86	0.86	0.84	0.76	19002	2.30	1.00	5.0	51	980	o.r.
2300	1RA7 507-6FA80-0C.2	992	156	96.0	96.6	96.9	96.8	0.86	0.86	0.83	0.75	22136	2.45	0.80	5.0	74	1580	o.r.
2220	1RA7 507-6FA80-0A.2	991	138	95.7	96.4	96.9	97.0	0.86	0.86	0.85	0.79	21411	2.25	0.90	4.9	58	1360	o.r.
2370	1RA7 508-6FA80-0A.2	991	156	96.0	96.5	96.9	97.0	0.86	0.86	0.84	0.76	22847	2.45	0.95	5.4	63	1800	o.r.
2500	1RA7 508-6FA80-0C.2	992	174	96.2	96.7	97.0	97.0	0.86	0.86	0.84	0.77	24060	2.45	0.85	5.1	81	1990	o.r.
3000	1RA7 562-6FA80-0C.2	992	210	95.9	96.5	96.7	96.7	0.85	0.86	0.84	0.80	28896	2.00	0.60	5.2	105	1935	o.r.
3250	1RA7 563-6FA80-0C.2	992	225	96.0	96.5	96.8	96.8	0.85	0.86	0.84	0.80	31301	2.00	0.60	5.2	113	1970	o.r.
3550	1RA7 564-6FA80-0C.2	992	245	96.1	96.7	96.9	96.9	0.85	0.86	0.85	0.80	34188	2.00	0.60	5.5	124	1965	o.r.
3900	1RA7 567-6FA80-0C.2	993	270	96.3	96.7	97.0	97.0	0.85	0.86	0.85	0.81	37545	2.00	0.60	5.2	137	2350	o.r.
4200	1RA7 568-6FA80-0C.2	993	290	96.5	96.9	97.1	97.1	0.86	0.86	0.85	0.81	40414	2.00	0.60	5.5	151	3125	o.r.
8-pole: n_{sync} = 750 rpm at 50 Hz																		
670	1RA7 451-8FA80-0A.0	741	51	93.5	94.6	95.0	95.0	0.80	0.80	0.73	0.61	8632	2.05	0.70	5.0	23	580	o.r.
680	1RA7 451-8FA80-0C.0	741	51	93.6	94.6	95.0	95.1	0.82	0.81	0.75	0.63	8758	2.25	0.65	5.1	30	790	o.r.
760	1RA7 452-8FA80-0A.0	741	57	93.7	94.8	95.3	95.4	0.81	0.81	0.76	0.64	9794	2.05	0.70	5.0	25	790	o.r.

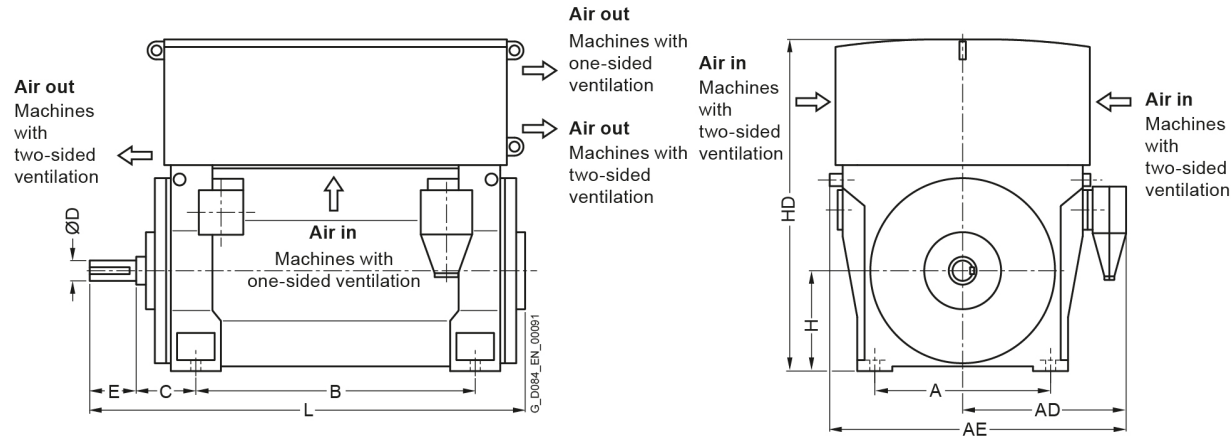
Innomotics HV M - 1RA. IC01 10000 V / 50 Hz B3 (IM 1001)																		
Rated power IEC	Article No.	Speed	Rated current I_R	Efficiency				Power factor				Torque T_R	Breakdown torque T_B/ T_R	Locked torque T_{LR}/ T_R	Locked rotor current I_{LR}/ I_R	Inertia		
				5/4 load	4/4 load	3/4 load	2/4 load	5/4 load	4/4 load	3/4 load	2/4 load					motor	external	Startup max T/TR
kW		rpm	A	%	%	%	%	$\cos \varphi$	$\cos \varphi$	$\cos \varphi$	$\cos \varphi$	Nm	[-]	[-]	[-]	kgm ²	kgm ²	[-]
770	1RA7 452-8FA80-0C.0	741	57	93.8	94.9	95.3	95.5	0.82	0.82	0.77	0.66	9918	2.25	0.65	5.1	32	1060	o.r.
860	1RA7 453-8FA80-0A.0	741	65	94.2	95.1	95.4	95.4	0.80	0.80	0.73	0.60	11076	2.25	0.75	5.0	28	1030	o.r.
890	1RA7 453-8FA80-0C.2	742	67	94.2	95.2	95.5	95.5	0.82	0.81	0.75	0.63	11461	2.40	0.65	5.0	36	1230	o.r.
950	1RA7 454-8FA80-0A.0	741	71	94.2	95.2	95.6	95.7	0.81	0.81	0.75	0.63	12242	2.20	0.75	5.0	31	1170	o.r.
980	1RA7 454-8FA80-0C.2	742	72	94.3	95.3	95.7	95.7	0.83	0.82	0.77	0.66	12623	2.45	0.70	5.1	40	1430	o.r.
1030	1RA7 457-8FA80-0A.0	741	77	94.4	95.4	95.8	95.8	0.82	0.81	0.76	0.65	13272	2.25	0.80	5.2	35	1340	o.r.
1060	1RA7 457-8FA80-0C.0	742	77	94.5	95.4	95.8	95.8	0.83	0.83	0.78	0.67	13650	2.45	0.70	5.2	45	1680	o.r.
1120	1RA7 458-8FA80-0A.2	742	84	94.6	95.6	95.8	95.8	0.82	0.81	0.76	0.64	14424	2.30	0.80	5.3	39	1440	o.r.
1140	1RA7 458-8FA80-0C.2	742	83	94.7	95.6	95.9	95.9	0.83	0.83	0.77	0.66	14669	2.55	0.75	5.5	50	1830	o.r.
1250	1RA7 502-8FA80-0C.2	742	91	95.1	95.9	96.3	96.5	0.81	0.83	0.80	0.73	16083	2.10	0.50	4.0	59	2570	o.r.
1250	1RA7 502-8FA80-0A.2	742	92	94.8	95.8	96.3	96.5	0.81	0.82	0.82	0.75	16088	1.90	0.70	3.9	46	1310	o.r.
1380	1RA7 503-8FA80-0A.2	743	102	95.2	95.9	96.4	96.5	0.82	0.82	0.80	0.73	17743	2.10	0.80	4.2	51	1920	o.r.
1400	1RA7 503-8FA80-0C.2	742	102	95.1	95.9	96.4	96.6	0.82	0.83	0.80	0.74	18017	2.05	0.55	4.0	65	2370	o.r.
1550	1RA7 504-8FA80-0A.2	743	112	95.3	96.1	96.5	96.6	0.82	0.83	0.80	0.73	19942	2.10	0.80	4.3	56	2870	o.r.
1600	1RA7 504-8FA80-0C.2	742	116	95.2	96.0	96.5	96.7	0.81	0.83	0.82	0.74	20596	2.05	0.55	3.9	72	2420	o.r.
1720	1RA7 507-8FA80-0A.2	743	126	95.6	96.2	96.6	96.6	0.82	0.82	0.80	0.72	22119	2.15	0.85	4.4	63	3460	o.r.
1760	1RA7 507-8FA80-0C.2	743	128	95.5	96.2	96.6	96.8	0.82	0.83	0.80	0.74	22637	2.15	0.55	4.1	80	3320	o.r.
1810	1RA7 508-8FA80-0A.2	744	134	95.8	96.3	96.5	96.4	0.82	0.81	0.77	0.67	23242	2.50	0.95	5.0	69	3350	o.r.
1900	1RA7 508-8FA80-0C.2	743	138	95.8	96.3	96.6	96.6	0.82	0.82	0.79	0.70	24416	2.40	0.65	4.6	88	4080	o.r.
2050	1RA7 562-8FA80-0C.2	744	148	95.4	96.1	96.4	96.2	0.82	0.83	0.80	0.73	26331	2.05	0.55	4.5	115	2835	o.r.
2280	1RA7 563-8FA80-0C.2	744	164	95.6	96.2	96.5	96.3	0.82	0.83	0.80	0.73	29302	2.10	0.60	4.5	124	2985	o.r.
2600	1RA7 564-8FA80-0C.2	744	188	95.8	96.4	96.7	96.5	0.82	0.83	0.80	0.74	33424	2.05	0.60	4.5	137	4255	o.r.
2900	1RA7 567-8FA80-0C.2	744	210	96.0	96.5	96.8	96.6	0.82	0.83	0.80	0.73	37275	2.10	0.55	4.6	150	5395	o.r.
3150	1RA7 568-8FA80-0C.2	744	225	96.1	96.6	96.9	96.6	0.83	0.83	0.81	0.74	40482	2.10	0.60	4.6	165	6300	o.r.



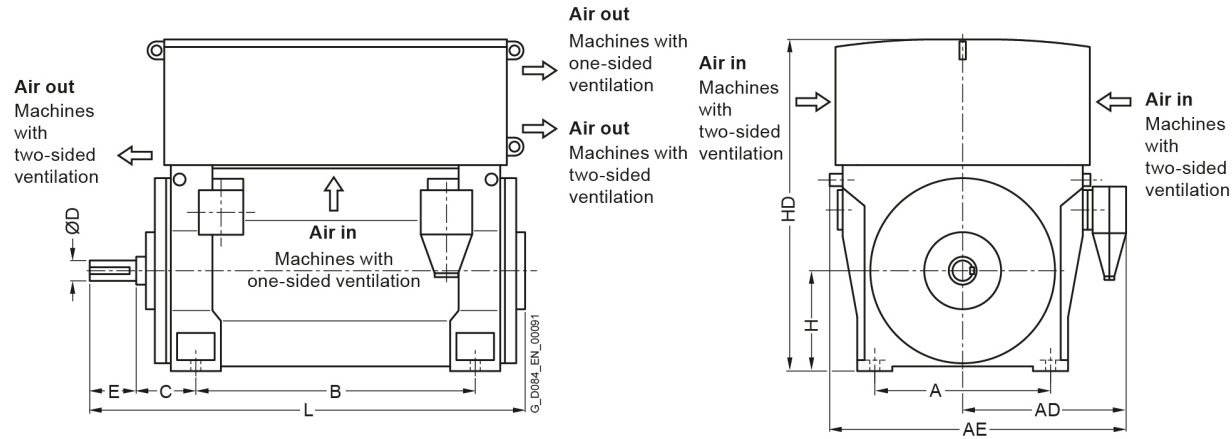
Motor type	Weight	Dimensions											
		A	AD	AE	B	C	D	E	H	HD	L	ML	
	kg	mm	mm	mm	mm	mm	mm	mm	mm	mm	mm	mm	mm
Innomotics HV M - 1RA. IC01 10000 V / 50 Hz B3 (IM 1001) - Dimension drawings													
2-pole													
1RA7 453-2FA80-0AA2	4100	850	1140	1760	1180	250	95	130	450	1630	1840	200	
1RA7 453-2FA80-0AC2	4000	850	1140	1760	1180	475	95	130	450	1630	2270	200	
1RA7 453-2FA80-0CA0	4250	850	1140	1760	1180	250	95	130	450	1630	1840	200	
1RA7 453-2FA80-0CC0	4150	850	1140	1760	1180	475	95	130	450	1630	2270	200	
1RA7 454-2FA80-0AA2	4250	850	1140	1760	1180	250	95	130	450	1630	1840	200	
1RA7 454-2FA80-0AC2	4150	850	1140	1760	1180	475	95	130	450	1630	2270	200	
1RA7 454-2FA80-0CA2	4400	850	1140	1760	1180	250	95	130	450	1630	1840	200	
1RA7 454-2FA80-0CC2	4300	850	1140	1760	1180	475	95	130	450	1630	2270	200	
1RA7 457-2FA80-0AA2	4650	850	1140	1760	1400	250	95	130	450	1630	2050	200	
1RA7 457-2FA80-0AC2	4550	850	1140	1760	1400	475	95	130	450	1630	2480	200	
1RA7 457-2FA80-0CA2	4800	850	1140	1760	1400	250	95	130	450	1630	2050	200	
1RA7 457-2FA80-0CC2	4700	850	1140	1760	1400	475	95	130	450	1630	2480	200	
1RA7 458-2FA80-0AA2	4850	850	1140	1760	1400	250	95	130	450	1630	2050	200	
1RA7 458-2FA80-0AC2	4750	850	1140	1760	1400	475	95	130	450	1630	2480	200	
1RA7 458-2FA80-0CA2	5000	850	1140	1760	1400	250	95	130	450	1630	2050	200	
1RA7 458-2FA80-0CC2	4900	850	1140	1760	1400	475	95	130	450	1630	2480	200	
1RA7 503-2FA80-0AA0	5650	950	1220	1920	1320	250	110	165	500	1890	1960	250	
1RA7 503-2FA80-0AC0	5600	950	1220	1920	1320	530	120	165	500	1890	2510	250	
1RA7 503-2FA80-0CA0	5800	950	1220	1920	1320	250	110	165	500	1890	1960	250	
1RA7 503-2FA80-0CC0	5750	950	1220	1920	1320	530	120	165	500	1890	2510	250	
1RA7 504-2FA80-0AA0	5750	950	1220	1920	1320	250	110	165	500	1890	1960	250	
1RA7 504-2FA80-0AC0	5650	950	1220	1920	1320	530	120	165	500	1890	2510	250	



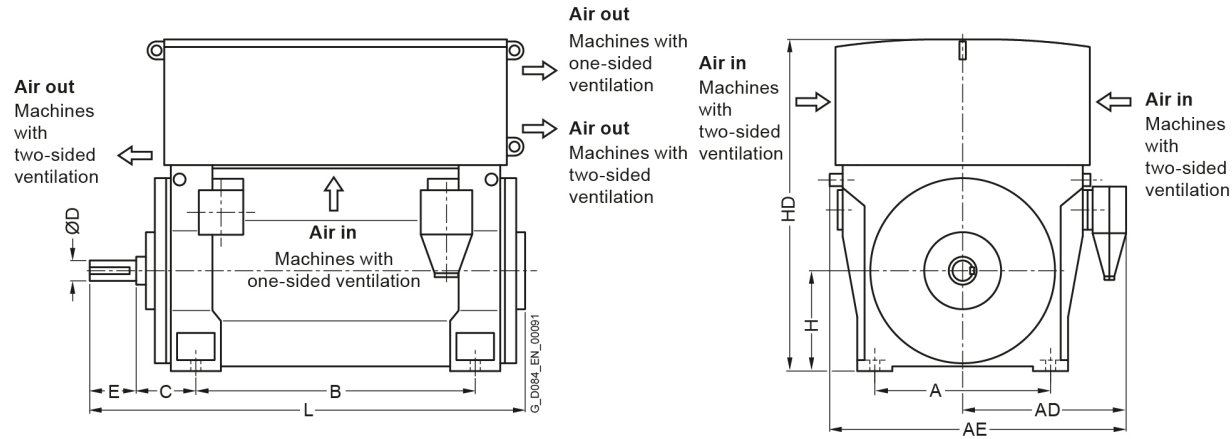
Motor type	Weight	Dimensions										
		A	AD	AE	B	C	D	E	H	HD	L	ML
	kg	mm	mm	mm	mm	mm	mm	mm	mm	mm	mm	mm
Innomotics HV M - 1RA. IC01 10000 V / 50 Hz B3 (IM 1001) - Dimension drawings												
1RA7 504-2FA80-0CA2	5850	950	1220	1920	1320	250	110	165	500	1890	1960	250
1RA7 504-2FA80-0CC2	5800	950	1220	1920	1320	530	120	165	500	1890	2510	250
1RA7 507-2FA80-0AA2	6350	950	1220	1920	1500	250	110	165	500	1890	2170	250
1RA7 507-2FA80-0AC2	6300	950	1220	1920	1500	530	120	165	500	1890	2720	250
1RA7 507-2FA80-0CA2	6500	950	1220	1920	1500	250	110	165	500	1890	2170	250
1RA7 507-2FA80-0CC2	6450	950	1220	1920	1500	530	120	165	500	1890	2720	250
1RA7 508-2FA80-0AA2	6700	950	1220	1920	1500	250	110	165	500	1890	2170	250
1RA7 508-2FA80-0AC2	6650	950	1220	1920	1500	530	120	165	500	1890	2720	250
1RA7 508-2FA80-0CA2	6900	950	1220	1920	1500	250	110	165	500	1890	2170	250
1RA7 508-2FA80-0CC2	6800	950	1220	1920	1500	530	120	165	500	1890	2720	250
1RA7 562-2FA80-0CC2	7300	1060	1290	2060	1400	600	150	200	560	2090	2810	300
1RA7 563-2FA80-0CC2	7550	1060	1290	2060	1400	600	150	200	560	2090	2810	300
1RA7 564-2FA80-0CC2	7800	1060	1290	2060	1400	600	150	200	560	2090	2810	300
1RA7 567-2FA80-0CC2	8700	1060	1290	2060	1600	600	150	200	560	2090	3040	300
1RA7 568-2FA80-0CC2	9200	1060	1290	2060	1600	600	150	200	560	2090	3040	300
4-pole												
1RA7 453-4FA80-0AA0	4100	850	1140	1760	1180	250	130	200	450	1520	1920	200
1RA7 453-4FA80-0AC0	4150	850	1140	1760	1180	500	130	200	450	1520	2390	200
1RA7 453-4FA80-0CA0	4250	850	1140	1760	1180	250	130	200	450	1520	1920	200
1RA7 453-4FA80-0CC0	4300	850	1140	1760	1180	500	130	200	450	1520	2390	200
1RA7 454-4FA80-0AA0	4300	850	1140	1760	1180	250	130	200	450	1520	1920	200
1RA7 454-4FA80-0AC0	4300	850	1140	1760	1180	500	130	200	450	1520	2390	200
1RA7 454-4FA80-0CA2	4450	850	1140	1760	1180	250	130	200	450	1520	1920	200



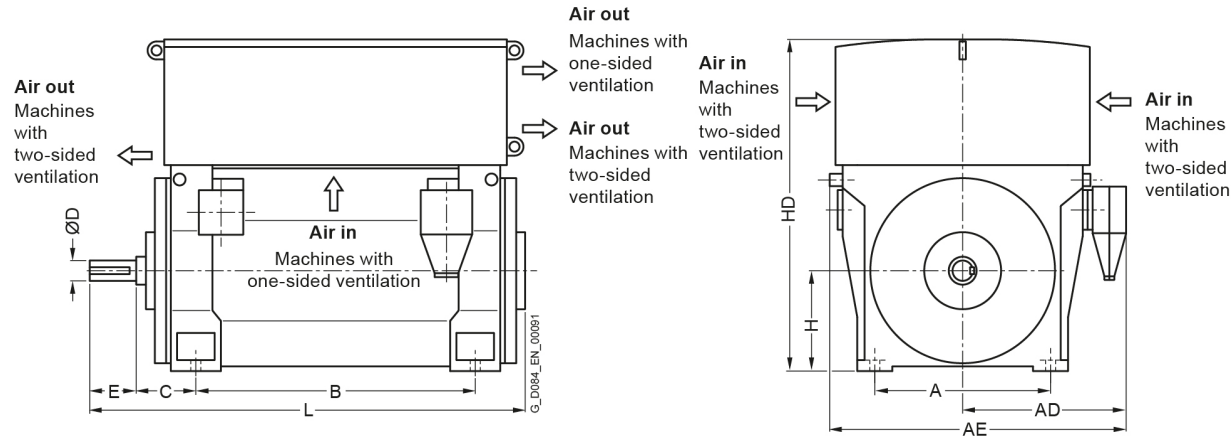
Motor type	Weight	Dimensions												
		A	AD	AE	B	C	D	E	H	HD	L	ML		
	kg	mm	mm	mm	mm	mm	mm	mm	mm	mm	mm	mm	mm	
Innomotics HV M - 1RA. IC01 10000 V / 50 Hz B3 (IM 1001) - Dimension drawings														
1RA7 454-4FA80-0CC2	4450	850	1140	1760	1180	500	130	200	450	1520	2390	200		
1RA7 457-4FA80-0CA2	5050	850	1140	1760	1400	250	130	200	450	1520	2130	200		
1RA7 457-4FA80-0CC2	5050	850	1140	1760	1400	500	130	200	450	1520	2600	200		
1RA7 457-4FA80-0AA0	4850	850	1140	1760	1400	250	130	200	450	1520	2130	200		
1RA7 457-4FA80-0AC0	4900	850	1140	1760	1400	500	130	200	450	1520	2600	200		
1RA7 458-4FA80-0AA2	5100	850	1140	1760	1400	250	130	200	450	1520	2130	200		
1RA7 458-4FA80-0AC2	5100	850	1140	1760	1400	500	130	200	450	1520	2600	200		
1RA7 458-4FA80-0CA2	5250	850	1140	1760	1400	250	130	200	450	1520	2130	200		
1RA7 458-4FA80-0CC2	5300	850	1140	1760	1400	500	130	200	450	1520	2600	200		
1RA7 503-4FA80-0AA2	5900	950	1220	1920	1320	315	160	240	500	1890	2180	250		
1RA7 503-4FA80-0AC2	6000	950	1220	1920	1320	560	170	240	500	1890	2620	250		
1RA7 503-4FA80-0CA0	6050	950	1220	1920	1320	315	160	240	500	1890	2180	250		
1RA7 503-4FA80-0CC0	6150	950	1220	1920	1320	560	170	240	500	1890	2620	250		
1RA7 504-4FA80-0CA2	6350	950	1220	1920	1320	315	160	240	500	1890	2180	250		
1RA7 504-4FA80-0CC2	6400	950	1220	1920	1320	560	170	240	500	1890	2620	250		
1RA7 504-4FA80-0AA2	6200	950	1220	1920	1320	315	160	240	500	1890	2180	250		
1RA7 504-4FA80-0AC2	6250	950	1220	1920	1320	560	170	240	500	1890	2620	250		
1RA7 507-4FA80-0CA2	7000	950	1220	1920	1500	315	160	240	500	1890	2390	250		
1RA7 507-4FA80-0CC2	7050	950	1220	1920	1500	560	170	240	500	1890	2830	250		
1RA7 507-4FA80-0AA2	6800	950	1220	1920	1500	315	160	240	500	1890	2390	250		
1RA7 507-4FA80-0AC2	6850	950	1220	1920	1500	560	170	240	500	1890	2830	250		
1RA7 508-4FA80-0CA2	7350	950	1220	1920	1500	315	160	240	500	1890	2390	250		
1RA7 508-4FA80-0CC2	7400	950	1220	1920	1500	560	170	240	500	1890	2830	250		



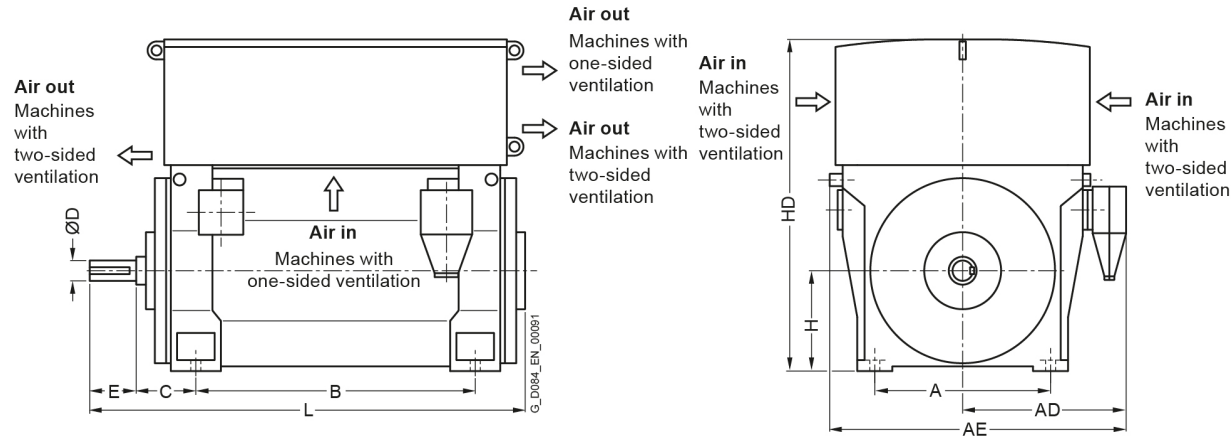
Motor type	Weight	Dimensions										
		A	AD	AE	B	C	D	E	H	HD	L	ML
	kg	mm	mm	mm	mm	mm	mm	mm	mm	mm	mm	mm
Innomotics HV M - 1RA. IC01 10000 V / 50 Hz B3 (IM 1001) - Dimension drawings												
1RA7 508-4FA80-0AA2	7150	950	1220	1920	1500	315	160	240	500	1890	2390	250
1RA7 508-4FA80-0AC2	7200	950	1220	1920	1500	560	170	240	500	1890	2830	250
1RA7 563-4FA80-0CA2	7650	1060	1290	2060	1400	335	190	280	560	2090	2390	300
1RA7 563-4FA80-0CC2	7700	1060	1290	2060	1400	600	190	280	560	2090	2850	300
1RA7 564-4FA80-0CA2	8100	1060	1290	2060	1400	335	190	280	560	2090	2390	300
1RA7 564-4FA80-0CC2	8150	1060	1290	2060	1400	600	190	280	560	2090	2850	300
1RA7 566-4FA80-0CA2	8950	1060	1290	2060	1600	335	190	280	560	2090	2620	300
1RA7 566-4FA80-0CC2	9050	1060	1290	2060	1600	600	190	280	560	2090	3080	300
1RA7 567-4FA80-0CA2	9350	1060	1290	2060	1600	335	190	280	560	2090	2620	300
1RA7 567-4FA80-0CC2	9450	1060	1290	2060	1600	600	190	280	560	2090	3080	300
1RA7 568-4FA80-0CA2	9850	1060	1290	2060	1600	335	190	280	560	2090	2620	300
1RA7 568-4FA80-0CC2	9900	1060	1290	2060	1600	600	190	280	560	2090	3080	300
6-pole												
1RA7 452-6FA80-0AA0	3950	850	1140	1760	1180	250	130	200	450	1520	1920	200
1RA7 452-6FA80-0AC0	4000	850	1140	1760	1180	500	130	200	450	1520	2390	200
1RA7 452-6FA80-0CA0	4100	850	1140	1760	1180	250	130	200	450	1520	1920	200
1RA7 452-6FA80-0CC0	4150	850	1140	1760	1180	500	130	200	450	1520	2390	200
1RA7 453-6FA80-0AA0	4100	850	1140	1760	1180	250	130	200	450	1520	1920	200
1RA7 453-6FA80-0AC0	4150	850	1140	1760	1180	500	130	200	450	1520	2390	200
1RA7 453-6FA80-0CA0	4300	850	1140	1760	1180	250	130	200	450	1520	1920	200
1RA7 453-6FA80-0CC0	4300	850	1140	1760	1180	500	130	200	450	1520	2390	200
1RA7 454-6FA80-0AA0	4300	850	1140	1760	1180	250	130	200	450	1520	1920	200
1RA7 454-6FA80-0AC0	4350	850	1140	1760	1180	500	130	200	450	1520	2390	200



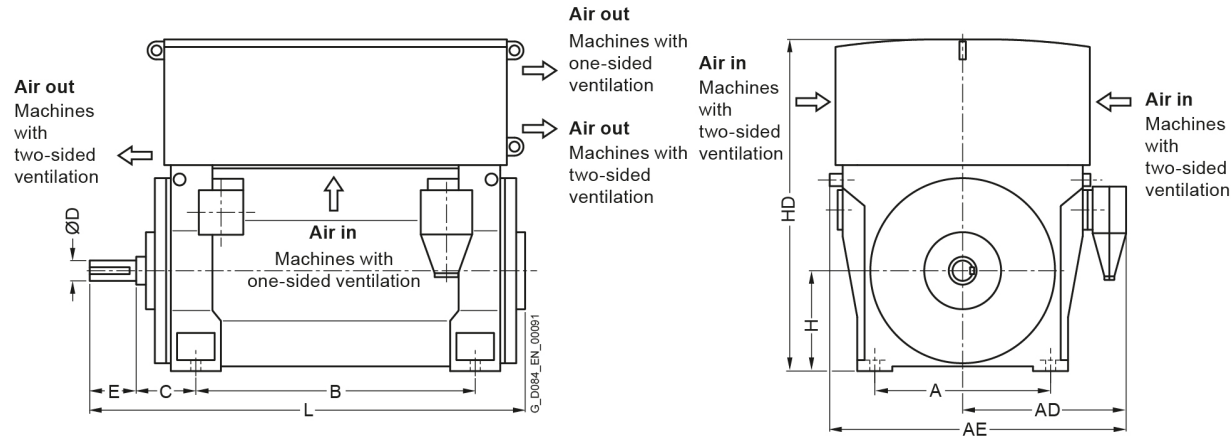
Motor type	Weight	Dimensions										
		A	AD	AE	B	C	D	E	H	HD	L	ML
	kg	mm	mm	mm	mm	mm	mm	mm	mm	mm	mm	mm
Innomotics HV M - 1RA. IC01 10000 V / 50 Hz B3 (IM 1001) - Dimension drawings												
1RA7 454-6FA80-0CA0	4450	850	1140	1760	1180	250	130	200	450	1520	1920	200
1RA7 454-6FA80-0CC0	4500	850	1140	1760	1180	500	130	200	450	1520	2390	200
1RA7 457-6FA80-0AA0	4750	850	1140	1760	1400	250	130	200	450	1520	2130	200
1RA7 457-6FA80-0AC0	4800	850	1140	1760	1400	500	130	200	450	1520	2600	200
1RA7 457-6FA80-0CA0	4950	850	1140	1760	1400	250	130	200	450	1520	2130	200
1RA7 457-6FA80-0CC0	4950	850	1140	1760	1400	500	130	200	450	1520	2600	200
1RA7 458-6FA80-0AA0	5050	850	1140	1760	1400	250	130	200	450	1520	2130	200
1RA7 458-6FA80-0AC0	5050	850	1140	1760	1400	500	130	200	450	1520	2600	200
1RA7 458-6FA80-0CA0	5250	850	1140	1760	1400	250	130	200	450	1520	2130	200
1RA7 458-6FA80-0CC0	5250	850	1140	1760	1400	500	130	200	450	1520	2600	200
1RA7 502-6FA80-0CA2	5950	950	1220	1920	1320	315	160	240	500	1690	2180	250
1RA7 502-6FA80-0CC2	6050	950	1220	1920	1320	560	170	240	500	1690	2620	250
1RA7 502-6FA80-0AA0	5750	950	1220	1920	1320	315	160	240	500	1690	2180	250
1RA7 502-6FA80-0AC0	5800	950	1220	1920	1320	560	170	240	500	1690	2620	250
1RA7 503-6FA80-0CA2	6200	950	1220	1920	1320	315	160	240	500	1690	2180	250
1RA7 503-6FA80-0CC2	6300	950	1220	1920	1320	560	170	240	500	1690	2620	250
1RA7 503-6FA80-0AA0	6000	950	1220	1920	1320	315	160	240	500	1690	2180	250
1RA7 503-6FA80-0AC0	6050	950	1220	1920	1320	560	170	240	500	1690	2620	250
1RA7 504-6FA80-0CA2	6500	950	1220	1920	1320	315	160	240	500	1690	2180	250
1RA7 504-6FA80-0CC2	6550	950	1220	1920	1320	560	170	240	500	1690	2620	250
1RA7 504-6FA80-0AA2	6250	950	1220	1920	1320	315	160	240	500	1690	2180	250
1RA7 504-6FA80-0AC2	6300	950	1220	1920	1320	560	170	240	500	1690	2620	250
1RA7 507-6FA80-0CA2	7150	950	1220	1920	1500	315	160	240	500	1690	2390	250



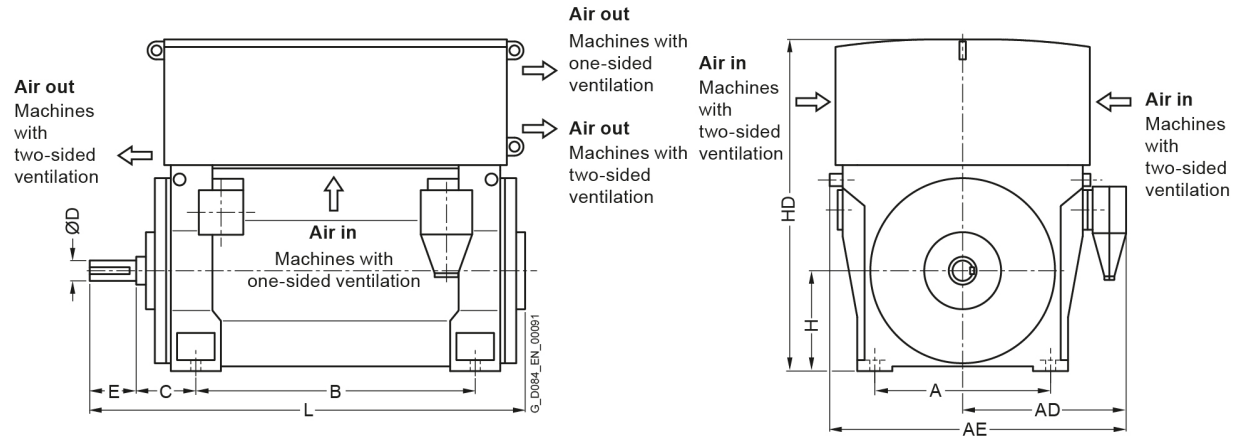
Motor type	Weight	Dimensions												
		A	AD	AE	B	C	D	E	H	HD	L	ML		
	kg	mm	mm	mm	mm	mm	mm	mm	mm	mm	mm	mm	mm	
Innomotics HV M - 1RA. IC01 10000 V / 50 Hz B3 (IM 1001) - Dimension drawings														
1RA7 507-6FA80-0CC2	7200	950	1220	1920	1500	560	170	240	500	1690	2830	250		
1RA7 507-6FA80-0AA2	6900	950	1220	1920	1500	315	160	240	500	1690	2390	250		
1RA7 507-6FA80-0AC2	6950	950	1220	1920	1500	560	170	240	500	1690	2830	250		
1RA7 508-6FA80-0AA2	7250	950	1220	1920	1500	315	160	240	500	1690	2390	250		
1RA7 508-6FA80-0AC2	7300	950	1220	1920	1500	560	170	240	500	1690	2830	250		
1RA7 508-6FA80-0CA2	7500	950	1220	1920	1500	315	160	240	500	1690	2390	250		
1RA7 508-6FA80-0CC2	7600	950	1220	1920	1500	560	170	240	500	1690	2830	250		
1RA7 562-6FA80-0CA2	7900	1060	1290	2060	1400	335	190	280	560	1910	2390	300		
1RA7 562-6FA80-0CC2	7950	1060	1290	2060	1400	600	190	280	560	1910	2850	300		
1RA7 563-6FA80-0CA2	8200	1060	1290	2060	1400	335	190	280	560	1910	2390	300		
1RA7 563-6FA80-0CC2	8250	1060	1290	2060	1400	600	190	280	560	1910	2850	300		
1RA7 564-6FA80-0CA2	8600	1060	1290	2060	1400	335	190	280	560	1910	2390	300		
1RA7 564-6FA80-0CC2	8650	1060	1290	2060	1400	600	190	280	560	1910	2850	300		
1RA7 567-6FA80-0CA2	9400	1060	1290	2060	1600	335	190	280	560	1910	2620	300		
1RA7 567-6FA80-0CC2	9450	1060	1290	2060	1600	600	190	280	560	1910	3080	300		
1RA7 568-6FA80-0CA2	10000	1060	1290	2060	1600	335	190	280	560	1910	2620	300		
1RA7 568-6FA80-0CC2	10050	1060	1290	2060	1600	600	190	280	560	1910	3080	300		
8-pole														
1RA7 451-8FA80-0AA0	3950	850	1140	1760	1180	250	130	200	450	1520	1920	200		
1RA7 451-8FA80-0AC0	3950	850	1140	1760	1180	500	130	200	450	1520	2390	200		
1RA7 451-8FA80-0CA0	4100	850	1140	1760	1180	250	130	200	450	1520	1920	200		
1RA7 451-8FA80-0CC0	4100	850	1140	1760	1180	500	130	200	450	1520	2390	200		
1RA7 452-8FA80-0AA0	4100	850	1140	1760	1180	250	130	200	450	1520	1920	200		



Motor type	Weight	Dimensions												
		A	AD	AE	B	C	D	E	H	HD	L	ML		
	kg	mm	mm	mm	mm	mm	mm	mm	mm	mm	mm	mm	mm	
Innomotics HV M - 1RA. IC01 10000 V / 50 Hz B3 (IM 1001) - Dimension drawings														
1RA7 452-8FA80-0AC0	4150	850	1140	1760	1180	500	130	200	450	1520	2390	200		
1RA7 452-8FA80-0CA0	4250	850	1140	1760	1180	250	130	200	450	1520	1920	200		
1RA7 452-8FA80-0CC0	4300	850	1140	1760	1180	500	130	200	450	1520	2390	200		
1RA7 453-8FA80-0AA0	4300	850	1140	1760	1180	250	130	200	450	1520	1920	200		
1RA7 453-8FA80-0AC0	4350	850	1140	1760	1180	500	130	200	450	1520	2390	200		
1RA7 453-8FA80-0CA2	4450	850	1140	1760	1180	250	130	200	450	1520	1920	200		
1RA7 453-8FA80-0CC2	4500	850	1140	1760	1180	500	130	200	450	1520	2390	200		
1RA7 454-8FA80-0AA0	4550	850	1140	1760	1180	250	130	200	450	1520	1920	200		
1RA7 454-8FA80-0AC0	4550	850	1140	1760	1180	500	130	200	450	1520	2390	200		
1RA7 454-8FA80-0CA2	4700	850	1140	1760	1180	250	130	200	450	1520	1920	200		
1RA7 454-8FA80-0CC2	4750	850	1140	1760	1180	500	130	200	450	1520	2390	200		
1RA7 457-8FA80-0AA0	5050	850	1140	1760	1400	250	130	200	450	1520	2130	200		
1RA7 457-8FA80-0AC0	5050	850	1140	1760	1400	500	130	200	450	1520	2600	200		
1RA7 457-8FA80-0CA0	5200	850	1140	1760	1400	250	130	200	450	1520	2130	200		
1RA7 457-8FA80-0CC0	5250	850	1140	1760	1400	500	130	200	450	1520	2600	200		
1RA7 458-8FA80-0AA2	5300	850	1140	1760	1400	250	130	200	450	1520	2130	200		
1RA7 458-8FA80-0AC2	5300	850	1140	1760	1400	500	130	200	450	1520	2600	200		
1RA7 458-8FA80-0CA2	5500	850	1140	1760	1400	250	130	200	450	1520	2130	200		
1RA7 458-8FA80-0CC2	5500	850	1140	1760	1400	500	130	200	450	1520	2600	200		
1RA7 502-8FA80-0CA2	6000	950	1220	1920	1320	315	160	240	500	1690	2180	250		
1RA7 502-8FA80-0CC2	6050	950	1220	1920	1320	560	170	240	500	1690	2620	250		
1RA7 502-8FA80-0AA2	5750	950	1220	1920	1320	315	160	240	500	1690	2180	250		
1RA7 502-8FA80-0AC2	5800	950	1220	1920	1320	560	170	240	500	1690	2620	250		



Motor type	Weight	Dimensions												
		A	AD	AE	B	C	D	E	H	HD	L	ML		
	kg	mm	mm	mm	mm	mm	mm	mm	mm	mm	mm	mm	mm	
Innomotics HV M - 1RA. IC01 10000 V / 50 Hz B3 (IM 1001) - Dimension drawings														
1RA7 503-8FA80-0AA2	6000	950	1220	1920	1320	315	160	240	500	1690	2180	250		
1RA7 503-8FA80-0AC2	6050	950	1220	1920	1320	560	170	240	500	1690	2620	250		
1RA7 503-8FA80-0CA2	6250	950	1220	1920	1320	315	160	240	500	1690	2180	250		
1RA7 503-8FA80-0CC2	6300	950	1220	1920	1320	560	170	240	500	1690	2620	250		
1RA7 504-8FA80-0AA2	6300	950	1220	1920	1320	315	160	240	500	1690	2180	250		
1RA7 504-8FA80-0AC2	6350	950	1220	1920	1320	560	170	240	500	1690	2620	250		
1RA7 504-8FA80-0CA2	6550	950	1220	1920	1320	315	160	240	500	1690	2180	250		
1RA7 504-8FA80-0CC2	6600	950	1220	1920	1320	560	170	240	500	1690	2620	250		
1RA7 507-8FA80-0AA2	6950	950	1220	1920	1500	315	160	240	500	1690	2390	250		
1RA7 507-8FA80-0AC2	7000	950	1220	1920	1500	560	170	240	500	1690	2830	250		
1RA7 507-8FA80-0CA2	7200	950	1220	1920	1500	315	160	240	500	1690	2390	250		
1RA7 507-8FA80-0CC2	7250	950	1220	1920	1500	560	170	240	500	1690	2830	250		
1RA7 508-8FA80-0AA2	7250	950	1220	1920	1500	315	160	240	500	1690	2390	250		
1RA7 508-8FA80-0AC2	7300	950	1220	1920	1500	560	170	240	500	1690	2830	250		
1RA7 508-8FA80-0CA2	7550	950	1220	1920	1500	315	160	240	500	1690	2390	250		
1RA7 508-8FA80-0CC2	7600	950	1220	1920	1500	560	170	240	500	1690	2830	250		
1RA7 562-8FA80-0CA2	7800	1060	1290	2060	1400	335	190	280	560	1910	2390	300		
1RA7 562-8FA80-0CC2	7850	1060	1290	2060	1400	600	190	280	560	1910	2850	300		
1RA7 563-8FA80-0CA2	8050	1060	1290	2060	1400	335	190	280	560	1910	2390	300		
1RA7 563-8FA80-0CC2	8150	1060	1290	2060	1400	600	190	280	560	1910	2850	300		
1RA7 564-8FA80-0CA2	8550	1060	1290	2060	1400	335	190	280	560	1910	2390	300		
1RA7 564-8FA80-0CC2	8650	1060	1290	2060	1400	600	190	280	560	1910	2850	300		
1RA7 567-8FA80-0CA2	9400	1060	1290	2060	1600	335	190	280	560	1910	2620	300		

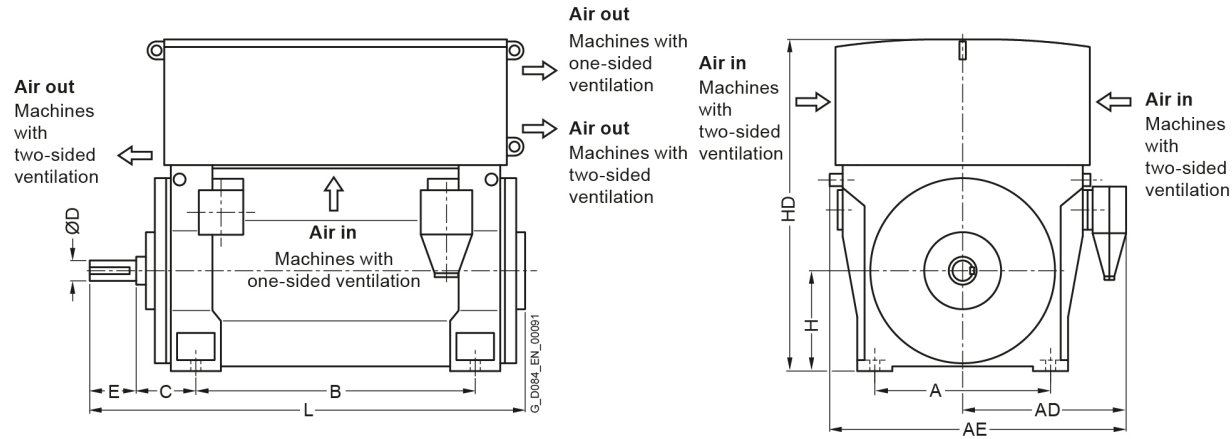


Motor type	Weight	Dimensions										
		A	AD	AE	B	C	D	E	H	HD	L	ML
	kg	mm	mm	mm	mm	mm	mm	mm	mm	mm	mm	mm
Innomotics HV M - 1RA. IC01 10000 V / 50 Hz B3 (IM 1001) - Dimension drawings												
1RA7 567-8FA80-0CC2	9500	1060	1290	2060	1600	600	190	280	560	1910	3080	300
1RA7 568-8FA80-0CA2	9900	1060	1290	2060	1600	335	190	280	560	1910	2620	300
1RA7 568-8FA80-0CC2	10000	1060	1290	2060	1600	600	190	280	560	1910	3080	300

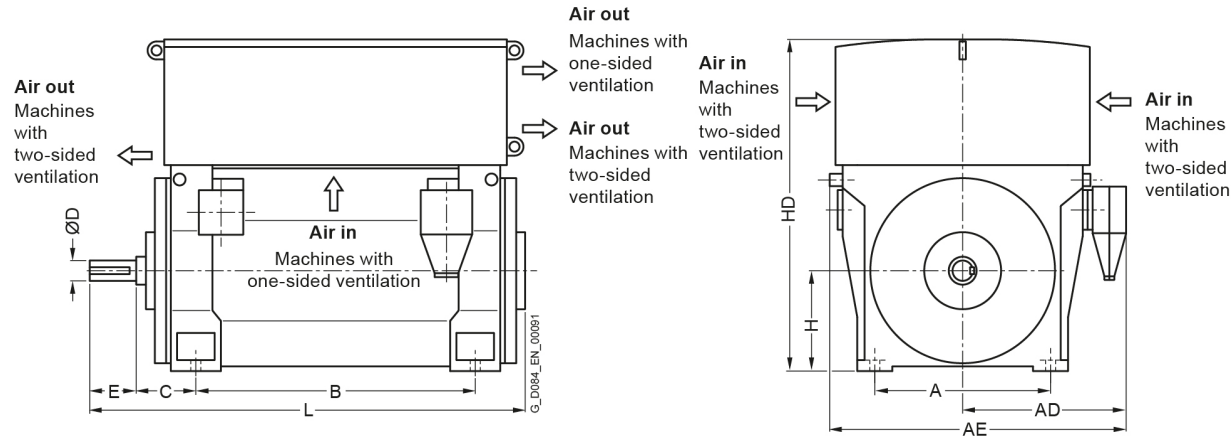
Innomotics HV M - 1RA. IC01 11000 V / 50 Hz B3 (IM 1001)																		
Rated power IEC	Article No.	Speed	Rated current I_R	Efficiency				Power factor				Torque T_R	Breakdown torque T_B/ T_R	Locked torque T_{LR}/ T_R	Locked rotor current I_{LR}/ I_R	Inertia		
				5/4 load	4/4 load	3/4 load	2/4 load	5/4 load	4/4 load	3/4 load	2/4 load					motor	external	Startup max T/TR
kW		rpm	A	%	%	%	%	cos φ	cos φ	cos φ	cos φ	Nm	[-]	[-]	[-]	kgm ²	kgm ²	[-]
2-pole: $n_{sync} = 3000$ rpm at 50 Hz																		
1260	1RA7 452-2FA90-0A.0	2978	79	94.8	95.6	95.9	95.7	0.87	0.88	0.87	0.83	4040	2.20	0.50	5.2	9	45	o.r.
1400	1RA7 453-2FA90-0A.0	2978	87	95.1	95.8	96.1	95.9	0.87	0.88	0.87	0.83	4489	2.20	0.50	5.2	10	55	o.r.
1400	1RA7 453-2FA90-0C.0	2977	85	95.1	95.8	96.1	95.9	0.88	0.90	0.89	0.87	4491	2.20	0.55	5.2	14	75	o.r.
1500	1RA7 454-2FA90-0A.0	2980	93	95.3	95.9	96.1	95.7	0.87	0.88	0.86	0.80	4807	2.50	0.55	6.0	11	55	o.r.
1500	1RA7 454-2FA90-0C.0	2978	91	95.2	96.0	96.2	96.0	0.89	0.90	0.90	0.87	4810	2.30	0.60	5.4	15	75	o.r.
1700	1RA7 457-2FA90-0A.0	2980	106	95.5	96.1	96.2	95.9	0.88	0.88	0.86	0.80	5448	2.50	0.55	6.0	12	75	o.r.
1700	1RA7 457-2FA90-0C.0	2979	104	95.5	96.1	96.2	95.9	0.89	0.90	0.89	0.86	5449	2.50	0.60	5.6	16	100	o.r.
1900	1RA7 458-2FA90-0A.0	2980	116	95.7	96.3	96.5	96.2	0.88	0.89	0.87	0.82	6088	2.55	0.60	6.0	13	80	o.r.
1900	1RA7 458-2FA90-0C.0	2980	114	95.7	96.3	96.5	96.2	0.90	0.91	0.90	0.87	6088	2.50	0.60	5.8	17	110	o.r.
2200	1RA7 503-2FA90-0C.0	2976	134	95.7	96.3	96.7	96.6	0.88	0.89	0.89	0.86	7059	2.25	0.55	4.4	20	134	o.r.
2150	1RA7 503-2FA90-0A.0	2971	134	95.5	96.1	96.6	96.8	0.86	0.88	0.88	0.86	6910	2.00	0.45	5.0	15	28	o.r.
2500	1RA7 504-2FA90-0C.0	2977	152	96.0	96.5	96.7	96.6	0.88	0.89	0.89	0.84	8019	2.45	0.70	4.8	21	126	o.r.
2300	1RA7 504-2FA90-0A.0	2972	142	95.5	96.2	96.7	96.8	0.86	0.88	0.88	0.86	7390	2.00	0.45	5.0	15	28	o.r.
2750	1RA7 507-2FA90-0C.0	2979	166	96.3	96.7	97.0	96.9	0.89	0.90	0.90	0.86	8815	2.50	0.70	5.1	24	140	o.r.
2600	1RA7 507-2FA90-0A.0	2973	158	95.9	96.5	96.9	97.0	0.88	0.89	0.90	0.87	8351	2.30	0.50	5.4	18	36	o.r.
3100	1RA7 508-2FA90-0C.0	2980	184	96.5	96.9	97.1	97.0	0.90	0.91	0.91	0.87	9934	2.60	0.75	5.4	27	148	o.r.
2850	1RA7 508-2FA90-0A.0	2976	174	96.2	96.7	97.0	97.0	0.88	0.89	0.90	0.86	9145	2.50	0.45	5.9	20	44	o.r.
3670	1RA7 562-2FA90-0CC0	2982	225	96.3	96.6	96.8	96.5	0.88	0.89	0.88	0.85	11752	2.25	0.60	5.1	41	235	o.r.
3920	1RA7 563-2FA90-0CC0	2981	235	96.4	96.7	96.9	96.7	0.88	0.90	0.89	0.86	12557	2.25	0.55	5.1	44	240	o.r.
4430	1RA7 564-2FA90-0CC0	2983	270	96.5	96.7	96.9	96.5	0.88	0.89	0.87	0.83	14181	2.50	0.65	5.7	47	220	o.r.
5000	1RA7 567-2FA90-0CC0	2982	300	96.7	97.0	97.2	96.9	0.89	0.90	0.90	0.87	16012	2.35	0.60	5.4	52	270	o.r.
5170	1RA7 568-2FA90-0CC0	2985	305	96.9	97.1	97.2	96.9	0.91	0.91	0.90	0.86	16539	2.70	0.65	6.2	58	260	o.r.
4-pole: $n_{sync} = 1500$ rpm at 50 Hz																		
1380	1RA7 453-4FA90-0C.0	1486	87	95.0	95.8	96.2	96.1	0.87	0.87	0.84	0.77	8868	2.35	0.55	5.2	23	290	o.r.
1350	1RA7 453-4FA90-0A.0	1483	85	94.8	95.6	96.1	96.1	0.87	0.87	0.85	0.78	8693	2.30	0.65	5.5	17	310	o.r.
1430	1RA7 454-4FA90-0A.0	1485	89	95.0	95.8	96.1	96.1	0.88	0.88	0.84	0.76	9196	2.60	0.80	6.0	19	315	o.r.
1480	1RA7 454-4FA90-0C.0	1486	92	95.2	95.9	96.3	96.3	0.88	0.88	0.86	0.79	9511	2.35	0.55	5.3	25	300	o.r.
1650	1RA7 457-4FA90-0A.0	1486	102	95.5	96.1	96.4	96.3	0.88	0.88	0.84	0.76	10603	2.85	0.90	6.5	22	430	o.r.
1750	1RA7 457-4FA90-0C.0	1488	108	95.6	96.3	96.5	96.5	0.88	0.89	0.86	0.80	11231	2.55	0.60	5.8	30	380	o.r.
1830	1RA7 458-4FA90-0A.0	1486	114	95.6	96.2	96.5	96.3	0.88	0.88	0.83	0.74	11760	2.95	0.95	6.5	24	450	o.r.
1900	1RA7 458-4FA90-0C.0	1489	116	95.8	96.4	96.6	96.5	0.88	0.89	0.85	0.78	12185	2.70	0.65	6.0	32	430	o.r.
2100	1RA7 503-4FA90-0A.0	1486	128	95.7	96.4	96.9	97.0	0.88	0.90	0.88	0.85	13495	2.30	0.80	5.2	37	450	o.r.
2150	1RA7 503-4FA90-0C.0	1487	132	95.8	96.5	97.0	97.0	0.88	0.89	0.89	0.86	13807	2.25	0.60	4.7	45	565	o.r.
2450	1RA7 504-4FA90-0A.0	1488	152	96.1	96.6	96.9	96.8	0.88	0.88	0.85	0.77	15723	2.70	0.95	6.0	40	605	o.r.
2450	1RA7 504-4FA90-0C.0	1489	152	96.2	96.7	97.0	96.7	0.86	0.87	0.84	0.77	15712	2.40	0.55	4.9	49	695	o.r.
2600	1RA7 507-4FA90-0A.0	1485	156	95.9	96.6	97.1	97.2	0.89	0.90	0.89	0.87	16719	2.25	0.80	5.2	46	505	o.r.

Innomotics HV M - 1RA. IC01 11000 V / 50 Hz B3 (IM 1001)																		
Rated power IEC	Article No.	Speed	Rated current I_R	Efficiency				Power factor				Torque T_R	Breakdown torque T_B/ T_R	Locked rotor torque T_{LR}/ T_R	Locked rotor current I_{LR}/ I_R	Inertia		
				5/4 load	4/4 load	3/4 load	2/4 load	5/4 load	4/4 load	3/4 load	2/4 load					motor	external	Startup max T/TR
kW		rpm	A	%	%	%	%	cos φ	cos φ	cos φ	cos φ	Nm	[-]	[-]	[-]	kgm ²	kgm ²	[-]
2630	1RA7 507-4FA90-0C.0	1488	158	96.1	96.8	97.2	97.2	0.88	0.90	0.90	0.87	16878	2.30	0.60	4.8	56	770	o.r.
2850	1RA7 508-4FA90-0A.0	1487	172	96.2	96.7	97.2	97.2	0.89	0.90	0.89	0.85	18302	2.50	0.90	5.7	50	615	o.r.
2850	1RA7 508-4FA90-0C.0	1489	172	96.3	96.9	97.2	97.2	0.89	0.90	0.89	0.86	18278	2.40	0.65	5.2	62	740	o.r.
3180	1RA7 562-4FA90-0C.0	1496	196	96.2	96.7	97.2	97.2	0.86	0.88	0.87	0.84	20299	2.00	0.60	4.8	74	815	o.r.
3500	1RA7 563-4FA90-0C.0	1489	216	96.2	96.8	97.2	97.3	0.86	0.88	0.88	0.85	22446	2.00	0.60	4.9	80	840	o.r.
3900	1RA7 564-4FA90-0C.0	1490	237	96.4	96.9	97.4	97.4	0.87	0.89	0.89	0.87	24995	2.10	0.60	5.0	90	935	o.r.
4400	1RA7 566-4FA90-0C.0	1489	268	96.5	97.0	97.5	97.6	0.88	0.89	0.90	0.88	28218	2.05	0.60	4.9	100	1020	o.r.
4800	1RA7 567-4FA90-0C.0	1490	288	96.6	97.1	97.6	97.6	0.88	0.90	0.90	0.88	30763	2.10	0.65	5.1	110	1115	o.r.
5200	1RA7 568-4FA90-0C.0	1491	312	96.8	97.3	97.6	97.7	0.89	0.90	0.90	0.88	33304	2.25	0.70	5.5	119	1185	o.r.
6-pole: n_{sync} = 1000 rpm at 50 Hz																		
930	1RA7 452-6FA90-0A.0	990	62	94.1	95.1	95.5	95.6	0.83	0.83	0.79	0.68	8971	2.35	0.85	5.5	20	325	o.r.
1000	1RA7 452-6FA90-0C.0	990	66	94.1	95.1	95.6	95.6	0.84	0.84	0.81	0.72	9646	2.35	0.70	5.3	27	435	o.r.
1050	1RA7 453-6FA90-0A.0	991	70	94.4	95.2	95.6	95.5	0.83	0.83	0.76	0.64	10118	2.50	0.85	5.5	22	410	o.r.
1100	1RA7 453-6FA90-0C.0	990	71	94.3	95.2	95.7	95.8	0.84	0.85	0.81	0.73	10610	2.35	0.70	5.5	30	510	o.r.
1160	1RA7 454-6FA90-0A.0	991	77	94.6	95.4	95.8	95.7	0.84	0.83	0.77	0.66	11178	2.50	0.85	5.5	24	465	o.r.
1200	1RA7 454-6FA90-0C.0	990	78	94.5	95.4	95.9	96.0	0.85	0.85	0.82	0.74	11575	2.35	0.70	5.4	33	600	o.r.
1290	1RA7 457-6FA90-0A.0	991	84	94.8	95.6	96.0	96.0	0.84	0.84	0.80	0.70	12430	2.50	0.85	5.5	28	535	o.r.
1300	1RA7 457-6FA90-0C.0	990	83	94.8	95.6	96.1	96.2	0.86	0.86	0.83	0.76	12539	2.40	0.70	5.5	36	745	o.r.
1400	1RA7 458-6FA90-0A.0	991	89	95.0	95.8	96.2	96.2	0.85	0.86	0.81	0.72	13490	2.50	0.90	5.7	31	610	o.r.
1420	1RA7 458-6FA90-0C.0	991	89	95.0	95.8	96.2	96.3	0.86	0.87	0.84	0.77	13683	2.45	0.70	5.5	41	805	o.r.
1650	1RA7 502-6FA90-0C.0	992	106	95.4	96.2	96.6	96.6	0.84	0.85	0.83	0.76	15883	2.25	0.70	4.6	54	930	o.r.
1550	1RA7 502-6FA90-0A.0	991	99	95.1	95.9	96.4	96.5	0.85	0.86	0.83	0.75	14936	2.20	0.90	4.7	42	630	o.r.
1850	1RA7 503-6FA90-0C.0	992	118	95.6	96.3	96.7	96.7	0.84	0.86	0.83	0.76	17809	2.30	0.75	4.7	60	1100	o.r.
1700	1RA7 503-6FA90-0A.0	991	108	95.2	96.0	96.5	96.7	0.85	0.86	0.84	0.77	16381	2.25	0.90	4.8	46	730	o.r.
1850	1RA7 504-6FA90-0A.0	991	118	95.5	96.2	96.6	96.7	0.85	0.86	0.83	0.75	17827	2.35	0.95	5.0	51	850	o.r.
2000	1RA7 504-6FA90-0C.0	992	126	95.8	96.4	96.8	96.8	0.85	0.86	0.83	0.76	19253	2.35	0.70	4.8	66	1300	o.r.
2240	1RA7 507-6FA90-0C.0	993	144	96.0	96.6	96.9	96.9	0.84	0.85	0.82	0.74	21541	2.40	0.70	4.8	74	1550	o.r.
2000	1RA7 507-6FA90-0A.0	992	126	95.7	96.4	96.7	96.8	0.86	0.86	0.83	0.74	19253	2.50	1.05	5.3	58	1000	o.r.
2240	1RA7 508-6FA90-0A.0	992	144	95.9	96.5	96.8	96.7	0.85	0.85	0.80	0.69	21563	2.70	1.10	5.7	63	1180	o.r.
2500	1RA7 561-6FA90-0C.0	992	160	95.7	96.3	96.6	96.5	0.84	0.85	0.84	0.78	24066	2.30	0.60	5.1	96	1060	o.r.
2900	1RA7 562-6FA90-0C.0	993	188	96.0	96.6	96.7	96.6	0.84	0.84	0.82	0.75	27888	2.40	0.65	5.3	105	1370	o.r.
3150	1RA7 563-6FA90-0C.0	993	200	96.1	96.6	96.8	96.7	0.84	0.85	0.83	0.75	30292	2.45	0.65	5.3	112	1280	o.r.
3550	1RA7 567-6FA90-0C.0	994	225	96.4	96.8	96.9	96.8	0.85	0.86	0.83	0.76	34105	2.60	0.70	5.7	134	1630	o.r.
3850	1RA7 568-6FA90-0C.0	994	240	96.5	97.0	97.1	96.9	0.86	0.86	0.84	0.78	36987	2.60	0.70	5.8	150	1890	o.r.
8-pole: n_{sync} = 750 rpm at 50 Hz																		
580	1RA7 451-8FA90-0A.0	743	43	93.5	94.4	94.5	94.0	0.78	0.75	0.66	0.49	7454	2.50	0.80	5.5	23	500	o.r.
620	1RA7 451-8FA90-0C.0	743	44	93.5	94.5	94.8	94.4	0.81	0.79	0.71	0.56	7968	2.70	0.75	5.5	30	560	o.r.

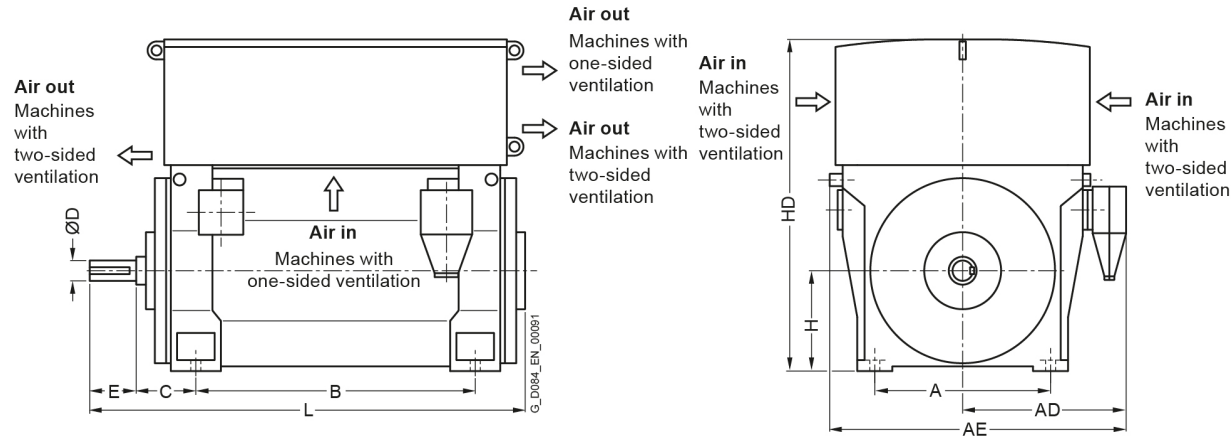
Innomotics HV M - 1RA. IC01 11000 V / 50 Hz B3 (IM 1001)																		
Rated power IEC	Article No.	Speed	Rated current I_R	Efficiency				Power factor				Torque T_R	Breakdown torque T_B/ T_R	Locked rotor torque T_{LR}/ T_R	Locked rotor current I_{LR}/ I_R	Inertia		
				5/4 load	4/4 load	3/4 load	2/4 load	5/4 load	4/4 load	3/4 load	2/4 load					motor	external	Startup max T/TR
kW		rpm	A	%	%	%	%	$\cos \varphi$	$\cos \varphi$	$\cos \varphi$	$\cos \varphi$	Nm	[-]	[-]	[-]	kgm ²	kgm ²	[-]
680	1RA7 452-8FA90-0A.0	743	48	93.5	94.6	94.9	94.7	0.80	0.78	0.71	0.56	8740	2.50	0.80	5.5	25	510	o.r.
700	1RA7 452-8FA90-0C.0	743	48	93.6	94.7	95.1	94.9	0.82	0.80	0.74	0.60	8997	2.60	0.70	5.5	32	630	o.r.
800	1RA7 453-8FA90-0A.0	743	57	94.0	94.9	95.2	94.9	0.79	0.78	0.69	0.53	10282	2.50	0.85	5.5	28	730	o.r.
800	1RA7 453-8FA90-0C.0	743	55	94.2	95.1	95.4	95.1	0.81	0.80	0.72	0.57	10282	2.70	0.75	5.5	36	1000	o.r.
860	1RA7 454-8FA90-0A.0	743	60	94.2	95.1	95.4	95.2	0.81	0.79	0.72	0.57	11053	2.45	0.85	5.5	31	800	o.r.
880	1RA7 454-8FA90-0C.0	743	60	94.3	95.2	95.5	95.4	0.82	0.81	0.75	0.61	11310	2.70	0.75	5.5	40	1000	o.r.
940	1RA7 457-8FA90-0A.0	743	65	94.3	95.2	95.6	95.5	0.82	0.80	0.74	0.61	12081	2.40	0.85	5.5	35	920	o.r.
950	1RA7 457-8FA90-0C.0	743	64	94.4	95.3	95.7	95.5	0.83	0.82	0.76	0.63	12210	2.70	0.75	5.5	45	1200	o.r.
1020	1RA7 458-8FA90-0A.0	743	69	94.4	95.4	95.7	95.6	0.82	0.81	0.75	0.61	13109	2.40	0.85	5.5	39	1050	o.r.
1030	1RA7 458-8FA90-0C.0	743	69	94.6	95.5	95.8	95.6	0.83	0.82	0.76	0.64	13238	2.75	0.80	5.6	50	1350	o.r.
1120	1RA7 502-8FA90-0A.0	744	77	95.1	95.7	96.2	96.2	0.81	0.80	0.78	0.69	14375	2.25	0.80	4.5	46	1370	o.r.
1200	1RA7 502-8FA90-0C.0	743	81	95.0	95.7	96.2	96.2	0.82	0.81	0.78	0.70	15423	2.25	0.60	4.2	59	2010	o.r.
1220	1RA7 503-8FA90-0A.0	743	81	95.1	95.8	96.3	96.4	0.82	0.83	0.79	0.71	15680	2.15	0.75	4.4	51	1440	o.r.
1360	1RA7 503-8FA90-0C.0	743	90	95.0	95.8	96.3	96.4	0.82	0.83	0.80	0.72	17479	2.15	0.55	4.0	65	1910	o.r.
1480	1RA7 504-8FA90-0A.0	743	99	95.2	96.0	96.4	96.5	0.82	0.82	0.79	0.70	19021	2.15	0.80	4.3	56	1760	o.r.
1500	1RA7 504-8FA90-0C.0	743	99	95.2	96.0	96.5	96.6	0.82	0.83	0.80	0.73	19279	2.15	0.55	4.1	72	2190	o.r.
1640	1RA7 507-8FA90-0A.0	743	108	95.4	96.1	96.5	96.6	0.82	0.83	0.79	0.71	21078	2.15	0.80	4.4	63	2030	o.r.
1700	1RA7 507-8FA90-0C.0	743	110	95.3	96.1	96.6	96.7	0.82	0.84	0.81	0.73	21849	2.15	0.60	4.1	80	2360	o.r.
1780	1RA7 508-8FA90-0A.0	744	118	95.6	96.2	96.5	96.5	0.82	0.82	0.77	0.68	22846	2.30	0.90	4.7	69	2270	o.r.
1820	1RA7 508-8FA90-0C.0	743	120	95.6	96.2	96.6	96.6	0.83	0.83	0.80	0.71	23391	2.35	0.65	4.4	88	2710	o.r.
2000	1RA7 563-8FA90-0C.0	744	134	95.5	96.0	96.5	96.3	0.82	0.82	0.80	0.73	25670	2.10	0.60	4.6	124	2685	o.r.
2240	1RA7 564-8FA90-0C.0	744	150	95.6	96.1	96.5	96.3	0.82	0.82	0.80	0.72	28751	2.20	0.60	4.8	137	2725	o.r.
2500	1RA7 567-8FA90-0C.0	744	164	95.8	96.3	96.8	96.6	0.82	0.83	0.81	0.75	32088	2.05	0.60	4.5	150	3865	o.r.
2800	1RA7 568-8FA90-0C.0	744	184	95.9	96.4	96.9	96.7	0.82	0.83	0.81	0.75	35938	2.05	0.55	4.5	165	5105	o.r.



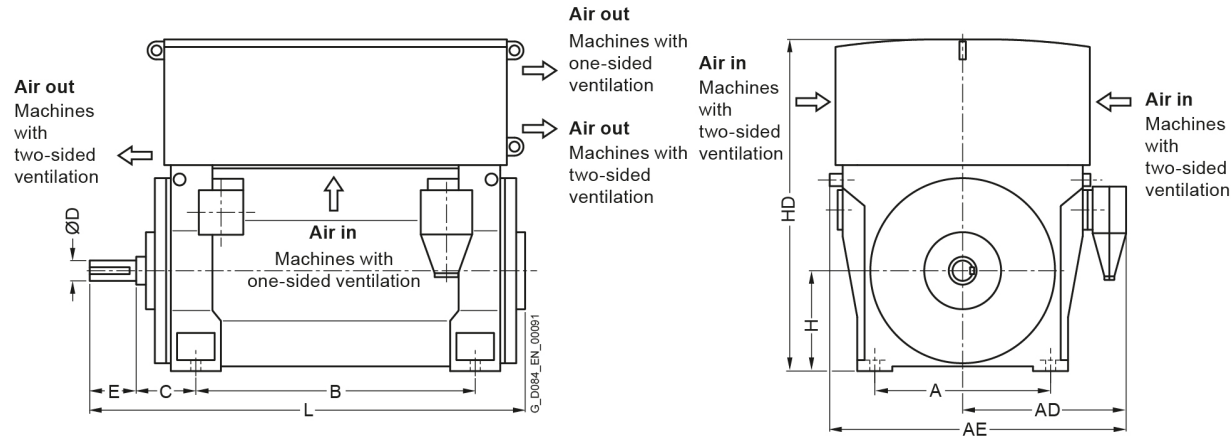
Motor type	Weight	Dimensions										
		A	AD	AE	B	C	D	E	H	HD	L	ML
	kg	mm	mm	mm	mm	mm	mm	mm	mm	mm	mm	mm
Innomotics HV M - 1RA. IC01 11000 V / 50 Hz B3 (IM 1001) - Dimension drawings												
2-pole												
1RA7 452-2FA90-0AA0	3950	850	1140	1760	1180	250	95	130	450	1630	1840	200
1RA7 452-2FA90-0AC0	3850	850	1140	1760	1180	475	95	130	450	1630	2270	200
1RA7 453-2FA90-0AA0	4100	850	1140	1760	1180	250	95	130	450	1630	1840	200
1RA7 453-2FA90-0AC0	4000	850	1140	1760	1180	475	95	130	450	1630	2270	200
1RA7 453-2FA90-0CA0	4200	850	1140	1760	1180	250	95	130	450	1630	1840	200
1RA7 453-2FA90-0CC0	4100	850	1140	1760	1180	475	95	130	450	1630	2270	200
1RA7 454-2FA90-0AA0	4200	850	1140	1760	1180	250	95	130	450	1630	1840	200
1RA7 454-2FA90-0AC0	4100	850	1140	1760	1180	475	95	130	450	1630	2270	200
1RA7 454-2FA90-0CA0	4300	850	1140	1760	1180	250	95	130	450	1630	1840	200
1RA7 454-2FA90-0CC0	4250	850	1140	1760	1180	475	95	130	450	1630	2270	200
1RA7 457-2FA90-0AA0	4600	850	1140	1760	1400	250	95	130	450	1630	2050	200
1RA7 457-2FA90-0AC0	4500	850	1140	1760	1400	475	95	130	450	1630	2480	200
1RA7 457-2FA90-0CA0	4700	850	1140	1760	1400	250	95	130	450	1630	2050	200
1RA7 457-2FA90-0CC0	4650	850	1140	1760	1400	475	95	130	450	1630	2480	200
1RA7 458-2FA90-0AA0	4800	850	1140	1760	1400	250	95	130	450	1630	2050	200
1RA7 458-2FA90-0AC0	4700	850	1140	1760	1400	475	95	130	450	1630	2480	200
1RA7 458-2FA90-0CA0	4950	850	1140	1760	1400	250	95	130	450	1630	2050	200
1RA7 458-2FA90-0CC0	4850	850	1140	1760	1400	475	95	130	450	1630	2480	200
1RA7 503-2FA90-0CA0	5750	950	1220	1920	1320	250	110	165	500	1890	1960	250
1RA7 503-2FA90-0CC0	5650	950	1220	1920	1320	530	120	165	500	1890	2510	250
1RA7 503-2FA90-0AA0	5600	950	1220	1920	1320	250	110	165	500	1890	1960	250
1RA7 503-2FA90-0AC0	5550	950	1220	1920	1320	530	120	165	500	1890	2510	250



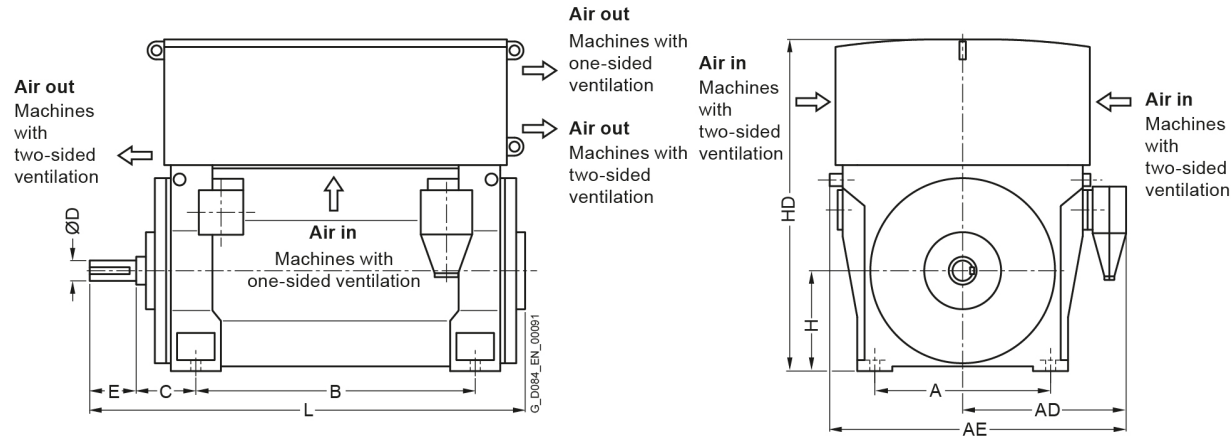
Motor type	Weight	Dimensions										
		A	AD	AE	B	C	D	E	H	HD	L	ML
	kg	mm	mm	mm	mm	mm	mm	mm	mm	mm	mm	mm
Innomotics HV M - 1RA. IC01 11000 V / 50 Hz B3 (IM 1001) - Dimension drawings												
1RA7 504-2FA90-0CA0	5850	950	1220	1920	1320	250	110	165	500	1890	1960	250
1RA7 504-2FA90-0CC0	5800	950	1220	1920	1320	530	120	165	500	1890	2510	250
1RA7 504-2FA90-0AA0	5700	950	1220	1920	1320	250	110	165	500	1890	1960	250
1RA7 504-2FA90-0AC0	5650	950	1220	1920	1320	530	120	165	500	1890	2510	250
1RA7 507-2FA90-0CA0	6500	950	1220	1920	1500	250	110	165	500	1890	2170	250
1RA7 507-2FA90-0CC0	6450	950	1220	1920	1500	530	120	165	500	1890	2720	250
1RA7 507-2FA90-0AA0	6350	950	1220	1920	1500	250	110	165	500	1890	2170	250
1RA7 507-2FA90-0AC0	6250	950	1220	1920	1500	530	120	165	500	1890	2720	250
1RA7 508-2FA90-0CA0	6850	950	1220	1920	1500	250	110	165	500	1890	2170	250
1RA7 508-2FA90-0CC0	6800	950	1220	1920	1500	530	120	165	500	1890	2720	250
1RA7 508-2FA90-0AA0	6650	950	1220	1920	1500	250	110	165	500	1890	2170	250
1RA7 508-2FA90-0AC0	6600	950	1220	1920	1500	530	120	165	500	1890	2720	250
1RA7 562-2FA90-0CC0	7300	1060	1290	2060	1400	600	150	200	560	2090	2810	300
1RA7 563-2FA90-0CC0	7550	1060	1290	2060	1400	600	150	200	560	2090	2810	300
1RA7 564-2FA90-0CC0	7750	1060	1290	2060	1400	600	150	200	560	2090	2810	300
1RA7 567-2FA90-0CC0	8600	1060	1290	2060	1600	600	150	200	560	2090	3040	300
1RA7 568-2FA90-0CC0	9150	1060	1290	2060	1600	600	150	200	560	2090	3040	300
4-pole												
1RA7 453-4FA90-0CA0	4200	850	1140	1760	1180	250	130	200	450	1520	1920	200
1RA7 453-4FA90-0CC0	4250	850	1140	1760	1180	500	130	200	450	1520	2390	200
1RA7 453-4FA90-0AA0	4100	850	1140	1760	1180	250	130	200	450	1520	1920	200
1RA7 453-4FA90-0AC0	4100	850	1140	1760	1180	500	130	200	450	1520	2390	200
1RA7 454-4FA90-0AA0	4250	850	1140	1760	1180	250	130	200	450	1520	1920	200



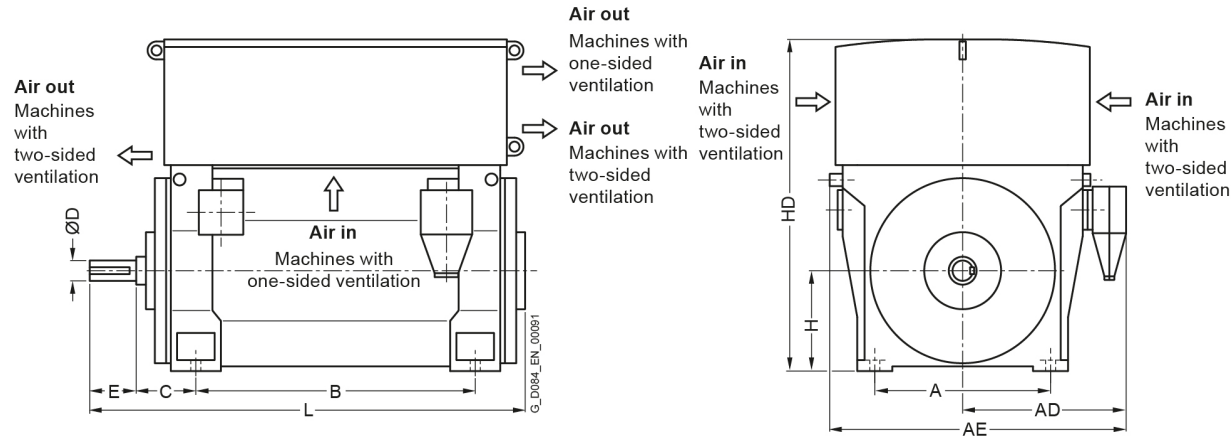
Motor type	Weight	Dimensions												
		A	AD	AE	B	C	D	E	H	HD	L	ML		
	kg	mm	mm	mm	mm	mm	mm	mm	mm	mm	mm	mm	mm	
Innomotics HV M - 1RA. IC01 11000 V / 50 Hz B3 (IM 1001) - Dimension drawings														
1RA7 454-4FA90-0AC0	4250	850	1140	1760	1180	500	130	200	450	1520	2390	200		
1RA7 454-4FA90-0CA0	4400	850	1140	1760	1180	250	130	200	450	1520	1920	200		
1RA7 454-4FA90-0CC0	4400	850	1140	1760	1180	500	130	200	450	1520	2390	200		
1RA7 457-4FA90-0AA0	4800	850	1140	1760	1400	250	130	200	450	1520	2130	200		
1RA7 457-4FA90-0AC0	4850	850	1140	1760	1400	500	130	200	450	1520	2600	200		
1RA7 457-4FA90-0CA0	5000	850	1140	1760	1400	250	130	200	450	1520	2130	200		
1RA7 457-4FA90-0CC0	5000	850	1140	1760	1400	500	130	200	450	1520	2600	200		
1RA7 458-4FA90-0AA0	5000	850	1140	1760	1400	250	130	200	450	1520	2130	200		
1RA7 458-4FA90-0AC0	5050	850	1140	1760	1400	500	130	200	450	1520	2600	200		
1RA7 458-4FA90-0CA0	5200	850	1140	1760	1400	250	130	200	450	1520	2130	200		
1RA7 458-4FA90-0CC0	5200	850	1140	1760	1400	500	130	200	450	1520	2600	200		
1RA7 503-4FA90-0AA0	5900	950	1220	1920	1320	315	160	240	500	1890	2180	250		
1RA7 503-4FA90-0AC0	5950	950	1220	1920	1320	560	170	240	500	1890	2620	250		
1RA7 503-4FA90-0CA0	6050	950	1220	1920	1320	315	160	240	500	1890	2180	250		
1RA7 503-4FA90-0CC0	6100	950	1220	1920	1320	560	170	240	500	1890	2620	250		
1RA7 504-4FA90-0AA0	6150	950	1220	1920	1320	315	160	240	500	1890	2180	250		
1RA7 504-4FA90-0AC0	6250	950	1220	1920	1320	560	170	240	500	1890	2620	250		
1RA7 504-4FA90-0CA0	6300	950	1220	1920	1320	315	160	240	500	1890	2180	250		
1RA7 504-4FA90-0CC0	6400	950	1220	1920	1320	560	170	240	500	1890	2620	250		
1RA7 507-4FA90-0AA0	6800	950	1220	1920	1500	315	160	240	500	1890	2390	250		
1RA7 507-4FA90-0AC0	6900	950	1220	1920	1500	560	170	240	500	1890	2830	250		
1RA7 507-4FA90-0CA0	6950	950	1220	1920	1500	315	160	240	500	1890	2390	250		
1RA7 507-4FA90-0CC0	7050	950	1220	1920	1500	560	170	240	500	1890	2830	250		



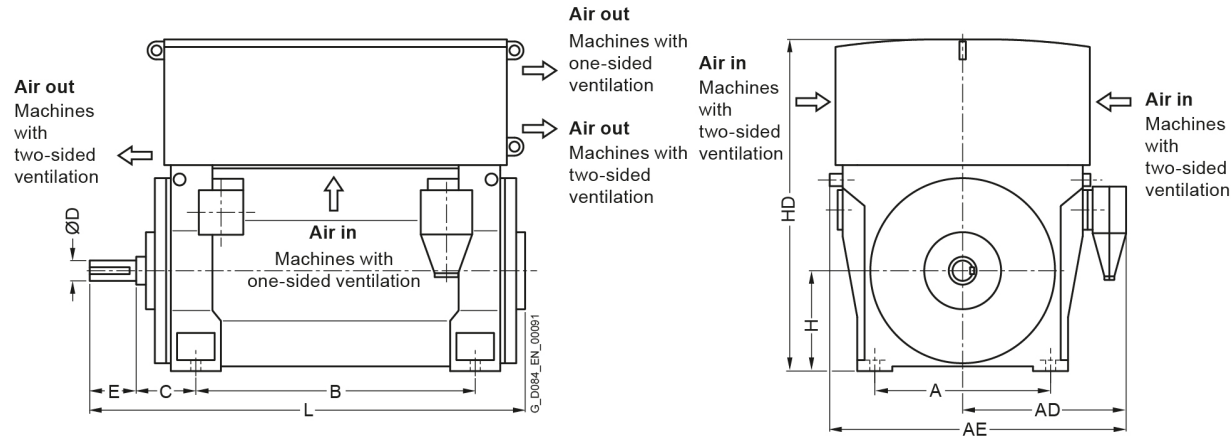
Motor type	Weight	Dimensions										
		A	AD	AE	B	C	D	E	H	HD	L	ML
	kg	mm	mm	mm	mm	mm	mm	mm	mm	mm	mm	mm
Innomotics HV M - 1RA. IC01 11000 V / 50 Hz B3 (IM 1001) - Dimension drawings												
1RA7 508-4FA90-0AA0	7100	950	1220	1920	1500	315	160	240	500	1890	2390	250
1RA7 508-4FA90-0AC0	7200	950	1220	1920	1500	560	170	240	500	1890	2830	250
1RA7 508-4FA90-0CA0	7300	950	1220	1920	1500	315	160	240	500	1890	2390	250
1RA7 508-4FA90-0CC0	7350	950	1220	1920	1500	560	170	240	500	1890	2830	250
1RA7 562-4FA90-0CA0	7400	1060	1290	2060	1400	335	190	280	560	2090	2390	300
1RA7 562-4FA90-0CC0	7450	1060	1290	2060	1400	600	190	280	560	2090	2850	300
1RA7 563-4FA90-0CA0	7600	1060	1290	2060	1400	335	190	280	560	2090	2390	300
1RA7 563-4FA90-0CC0	7650	1060	1290	2060	1400	600	190	280	560	2090	2850	300
1RA7 564-4FA90-0CA0	8050	1060	1290	2060	1400	335	190	280	560	2090	2390	300
1RA7 564-4FA90-0CC0	8100	1060	1290	2060	1400	600	190	280	560	2090	2850	300
1RA7 566-4FA90-0CA0	8900	1060	1290	2060	1600	335	190	280	560	2090	2620	300
1RA7 566-4FA90-0CC0	8950	1060	1290	2060	1600	600	190	280	560	2090	3080	300
1RA7 567-4FA90-0CA0	9300	1060	1290	2060	1600	335	190	280	560	2090	2620	300
1RA7 567-4FA90-0CC0	9400	1060	1290	2060	1600	600	190	280	560	2090	3080	300
1RA7 568-4FA90-0CA0	9750	1060	1290	2060	1600	335	190	280	560	2090	2620	300
1RA7 568-4FA90-0CC0	9800	1060	1290	2060	1600	600	190	280	560	2090	3080	300
6-pole												
1RA7 452-6FA90-0AA0	3950	850	1140	1760	1180	250	130	200	450	1520	1920	200
1RA7 452-6FA90-0AC0	4000	850	1140	1760	1180	500	130	200	450	1520	2390	200
1RA7 452-6FA90-0CA0	4100	850	1140	1760	1180	250	130	200	450	1520	1920	200
1RA7 452-6FA90-0CC0	4150	850	1140	1760	1180	500	130	200	450	1520	2390	200
1RA7 453-6FA90-0AA0	4100	850	1140	1760	1180	250	130	200	450	1520	1920	200
1RA7 453-6FA90-0AC0	4150	850	1140	1760	1180	500	130	200	450	1520	2390	200



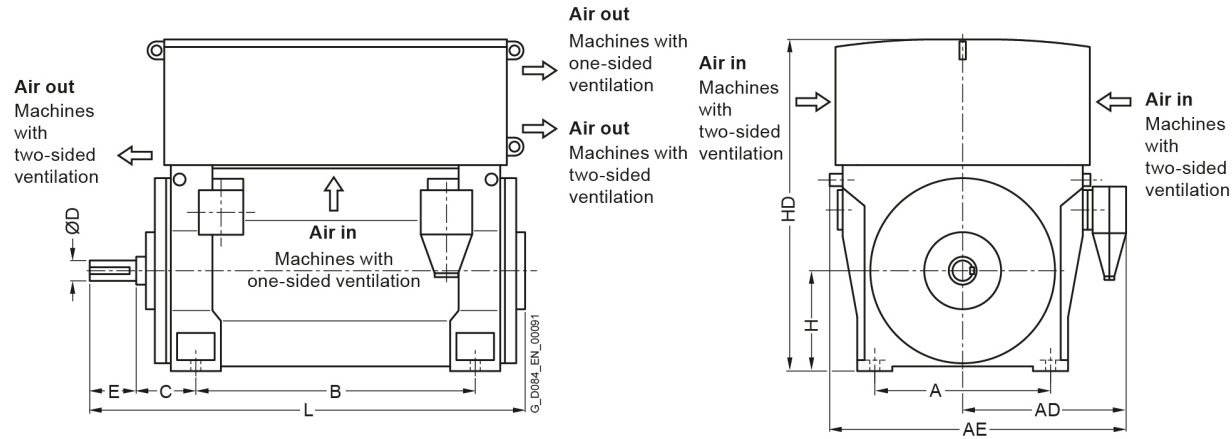
Motor type	Weight	Dimensions												
		A	AD	AE	B	C	D	E	H	HD	L	ML		
	kg	mm	mm	mm	mm	mm	mm	mm	mm	mm	mm	mm	mm	
Innomotics HV M - 1RA. IC01 11000 V / 50 Hz B3 (IM 1001) - Dimension drawings														
1RA7 453-6FA90-0CA0	4250	850	1140	1760	1180	250	130	200	450	1520	1920	200		
1RA7 453-6FA90-0CC0	4300	850	1140	1760	1180	500	130	200	450	1520	2390	200		
1RA7 454-6FA90-0AA0	4250	850	1140	1760	1180	250	130	200	450	1520	1920	200		
1RA7 454-6FA90-0AC0	4300	850	1140	1760	1180	500	130	200	450	1520	2390	200		
1RA7 454-6FA90-0CA0	4450	850	1140	1760	1180	250	130	200	450	1520	1920	200		
1RA7 454-6FA90-0CC0	4450	850	1140	1760	1180	500	130	200	450	1520	2390	200		
1RA7 457-6FA90-0AA0	4700	850	1140	1760	1400	250	130	200	450	1520	2130	200		
1RA7 457-6FA90-0AC0	4750	850	1140	1760	1400	500	130	200	450	1520	2600	200		
1RA7 457-6FA90-0CA0	4900	850	1140	1760	1400	250	130	200	450	1520	2130	200		
1RA7 457-6FA90-0CC0	4950	850	1140	1760	1400	500	130	200	450	1520	2600	200		
1RA7 458-6FA90-0AA0	5000	850	1140	1760	1400	250	130	200	450	1520	2130	200		
1RA7 458-6FA90-0AC0	5050	850	1140	1760	1400	500	130	200	450	1520	2600	200		
1RA7 458-6FA90-0CA0	5200	850	1140	1760	1400	250	130	200	450	1520	2130	200		
1RA7 458-6FA90-0CC0	5250	850	1140	1760	1400	500	130	200	450	1520	2600	200		
1RA7 502-6FA90-0CA0	5950	950	1220	1920	1320	315	160	240	500	1690	2180	250		
1RA7 502-6FA90-0CC0	6000	950	1220	1920	1320	560	170	240	500	1690	2620	250		
1RA7 502-6FA90-0AA0	5700	950	1220	1920	1320	315	160	240	500	1690	2180	250		
1RA7 502-6FA90-0AC0	5750	950	1220	1920	1320	560	170	240	500	1690	2620	250		
1RA7 503-6FA90-0CA0	6200	950	1220	1920	1320	315	160	240	500	1690	2180	250		
1RA7 503-6FA90-0CC0	6250	950	1220	1920	1320	560	170	240	500	1690	2620	250		
1RA7 503-6FA90-0AA0	5950	950	1220	1920	1320	315	160	240	500	1690	2180	250		
1RA7 503-6FA90-0AC0	6000	950	1220	1920	1320	560	170	240	500	1690	2620	250		
1RA7 504-6FA90-0AA0	6200	950	1220	1920	1320	315	160	240	500	1690	2180	250		



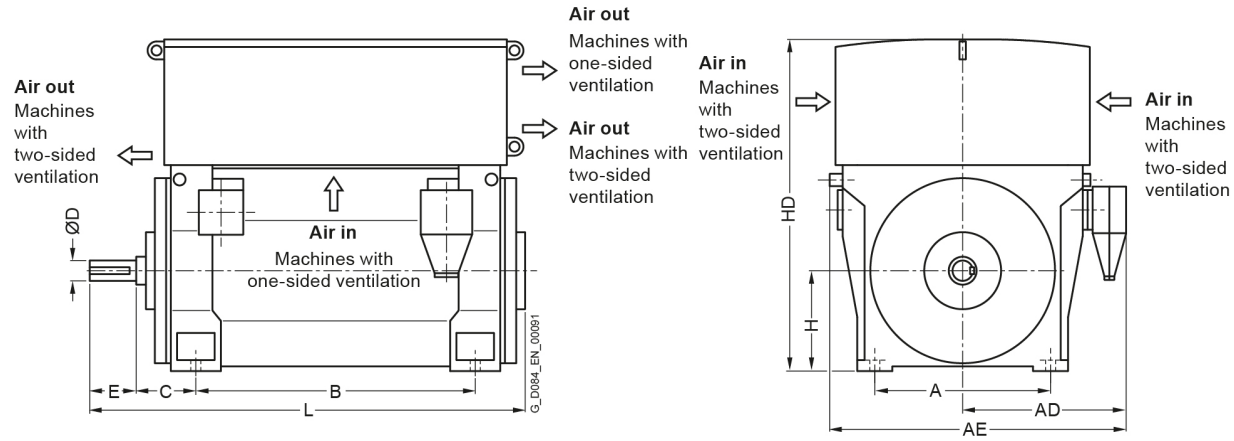
Motor type	Weight	Dimensions												
		A	AD	AE	B	C	D	E	H	HD	L	ML		
	kg	mm	mm	mm	mm	mm	mm	mm	mm	mm	mm	mm	mm	
Innomotics HV M - 1RA. IC01 11000 V / 50 Hz B3 (IM 1001) - Dimension drawings														
1RA7 504-6FA90-0AC0	6250	950	1220	1920	1320	560	170	240	500	1690	2620	250		
1RA7 504-6FA90-0CA0	6450	950	1220	1920	1320	315	160	240	500	1690	2180	250		
1RA7 504-6FA90-0CC0	6550	950	1220	1920	1320	560	170	240	500	1690	2620	250		
1RA7 507-6FA90-0CA0	7150	950	1220	1920	1500	315	160	240	500	1690	2390	250		
1RA7 507-6FA90-0CC0	7200	950	1220	1920	1500	560	170	240	500	1690	2830	250		
1RA7 507-6FA90-0AA0	6850	950	1220	1920	1500	315	160	240	500	1690	2390	250		
1RA7 507-6FA90-0AC0	6900	950	1220	1920	1500	560	170	240	500	1690	2830	250		
1RA7 508-6FA90-0AA0	7200	950	1220	1920	1500	315	160	240	500	1690	2390	250		
1RA7 508-6FA90-0AC0	7250	950	1220	1920	1500	560	170	240	500	1690	2830	250		
1RA7 561-6FA90-0CA0	7500	1060	1290	2060	1400	335	190	280	560	1910	2390	300		
1RA7 561-6FA90-0CC0	7600	1060	1290	2060	1400	600	190	280	560	1910	2850	300		
1RA7 562-6FA90-0CA0	7850	1060	1290	2060	1400	335	190	280	560	1910	2390	300		
1RA7 562-6FA90-0CC0	7950	1060	1290	2060	1400	600	190	280	560	1910	2850	300		
1RA7 563-6FA90-0CA0	8150	1060	1290	2060	1400	335	190	280	560	1910	2390	300		
1RA7 563-6FA90-0CC0	8200	1060	1290	2060	1400	600	190	280	560	1910	2850	300		
1RA7 567-6FA90-0CA0	9300	1060	1290	2060	1600	335	190	280	560	1910	2620	300		
1RA7 567-6FA90-0CC0	9350	1060	1290	2060	1600	600	190	280	560	1910	3080	300		
1RA7 568-6FA90-0CA0	9900	1060	1290	2060	1600	335	190	280	560	1910	2620	300		
1RA7 568-6FA90-0CC0	10000	1060	1290	2060	1600	600	190	280	560	1910	3080	300		
8-pole														
1RA7 451-8FA90-0AA0	3900	850	1140	1760	1180	250	130	200	450	1520	1920	200		
1RA7 451-8FA90-0AC0	3950	850	1140	1760	1180	500	130	200	450	1520	2390	200		
1RA7 451-8FA90-0CA0	4050	850	1140	1760	1180	250	130	200	450	1520	1920	200		



Motor type	Weight	Dimensions												
		A	AD	AE	B	C	D	E	H	HD	L	ML		
	kg	mm	mm	mm	mm	mm	mm	mm	mm	mm	mm	mm	mm	
Innomotics HV M - 1RA. IC01 11000 V / 50 Hz B3 (IM 1001) - Dimension drawings														
1RA7 451-8FA90-0CC0	4100	850	1140	1760	1180	500	130	200	450	1520	2390	200		
1RA7 452-8FA90-0AA0	4050	850	1140	1760	1180	250	130	200	450	1520	1920	200		
1RA7 452-8FA90-0AC0	4100	850	1140	1760	1180	500	130	200	450	1520	2390	200		
1RA7 452-8FA90-0CA0	4200	850	1140	1760	1180	250	130	200	450	1520	1920	200		
1RA7 452-8FA90-0CC0	4250	850	1140	1760	1180	500	130	200	450	1520	2390	200		
1RA7 453-8FA90-0AA0	4300	850	1140	1760	1180	250	130	200	450	1520	1920	200		
1RA7 453-8FA90-0AC0	4300	850	1140	1760	1180	500	130	200	450	1520	2390	200		
1RA7 453-8FA90-0CA0	4450	850	1140	1760	1180	250	130	200	450	1520	1920	200		
1RA7 453-8FA90-0CC0	4450	850	1140	1760	1180	500	130	200	450	1520	2390	200		
1RA7 454-8FA90-0AA0	4500	850	1140	1760	1180	250	130	200	450	1520	1920	200		
1RA7 454-8FA90-0AC0	4550	850	1140	1760	1180	500	130	200	450	1520	2390	200		
1RA7 454-8FA90-0CA0	4650	850	1140	1760	1180	250	130	200	450	1520	1920	200		
1RA7 454-8FA90-0CC0	4700	850	1140	1760	1180	500	130	200	450	1520	2390	200		
1RA7 457-8FA90-0AA0	5000	850	1140	1760	1400	250	130	200	450	1520	2130	200		
1RA7 457-8FA90-0AC0	5000	850	1140	1760	1400	500	130	200	450	1520	2600	200		
1RA7 457-8FA90-0CA0	5150	850	1140	1760	1400	250	130	200	450	1520	2130	200		
1RA7 457-8FA90-0CC0	5200	850	1140	1760	1400	500	130	200	450	1520	2600	200		
1RA7 458-8FA90-0AA0	5250	850	1140	1760	1400	250	130	200	450	1520	2130	200		
1RA7 458-8FA90-0AC0	5250	850	1140	1760	1400	500	130	200	450	1520	2600	200		
1RA7 458-8FA90-0CA0	5450	850	1140	1760	1400	250	130	200	450	1520	2130	200		
1RA7 458-8FA90-0CC0	5450	850	1140	1760	1400	500	130	200	450	1520	2600	200		
1RA7 502-8FA90-0AA0	5750	950	1220	1920	1320	315	160	240	500	1690	2180	250		
1RA7 502-8FA90-0AC0	5800	950	1220	1920	1320	560	170	240	500	1690	2620	250		



Motor type	Weight	Dimensions										
		A	AD	AE	B	C	D	E	H	HD	L	ML
	kg	mm	mm	mm	mm	mm	mm	mm	mm	mm	mm	mm
Innomotics HV M - 1RA. IC01 11000 V / 50 Hz B3 (IM 1001) - Dimension drawings												
1RA7 502-8FA90-0CA0	5950	950	1220	1920	1320	315	160	240	500	1690	2180	250
1RA7 502-8FA90-0CC0	6000	950	1220	1920	1320	560	170	240	500	1690	2620	250
1RA7 503-8FA90-0AA0	5950	950	1220	1920	1320	315	160	240	500	1690	2180	250
1RA7 503-8FA90-0AC0	6000	950	1220	1920	1320	560	170	240	500	1690	2620	250
1RA7 503-8FA90-0CA0	6200	950	1220	1920	1320	315	160	240	500	1690	2180	250
1RA7 503-8FA90-0CC0	6250	950	1220	1920	1320	560	170	240	500	1690	2620	250
1RA7 504-8FA90-0AA0	6250	950	1220	1920	1320	315	160	240	500	1690	2180	250
1RA7 504-8FA90-0AC0	6300	950	1220	1920	1320	560	170	240	500	1690	2620	250
1RA7 504-8FA90-0CA0	6500	950	1220	1920	1320	315	160	240	500	1690	2180	250
1RA7 504-8FA90-0CC0	6550	950	1220	1920	1320	560	170	240	500	1690	2620	250
1RA7 507-8FA90-0AA0	6900	950	1220	1920	1500	315	160	240	500	1690	2390	250
1RA7 507-8FA90-0AC0	6950	950	1220	1920	1500	560	170	240	500	1690	2830	250
1RA7 507-8FA90-0CA0	7150	950	1220	1920	1500	315	160	240	500	1690	2390	250
1RA7 507-8FA90-0CC0	7200	950	1220	1920	1500	560	170	240	500	1690	2830	250
1RA7 508-8FA90-0AA0	7200	950	1220	1920	1500	315	160	240	500	1690	2390	250
1RA7 508-8FA90-0AC0	7250	950	1220	1920	1500	560	170	240	500	1690	2830	250
1RA7 508-8FA90-0CA0	7500	950	1220	1920	1500	315	160	240	500	1690	2390	250
1RA7 508-8FA90-0CC0	7550	950	1220	1920	1500	560	170	240	500	1690	2830	250
1RA7 563-8FA90-0CA0	8000	1060	1290	2060	1400	335	190	280	560	1910	2390	300
1RA7 563-8FA90-0CC0	8100	1060	1290	2060	1400	600	190	280	560	1910	2850	300
1RA7 564-8FA90-0CA0	8450	1060	1290	2060	1400	335	190	280	560	1910	2390	300
1RA7 564-8FA90-0CC0	8500	1060	1290	2060	1400	600	190	280	560	1910	2850	300
1RA7 567-8FA90-0CA0	9350	1060	1290	2060	1600	335	190	280	560	1910	2620	300



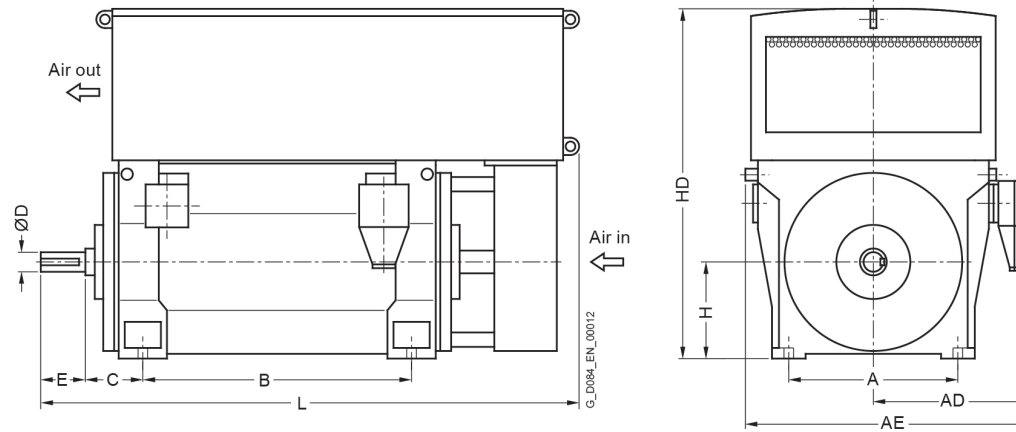
Motor type	Weight	Dimensions										
		A	AD	AE	B	C	D	E	H	HD	L	ML
	kg	mm	mm	mm	mm	mm	mm	mm	mm	mm	mm	mm
Innomotics HV M - 1RA. IC01 11000 V / 50 Hz B3 (IM 1001) - Dimension drawings												
1RA7 567-8FA90-0CC0	9400	1060	1290	2060	1600	600	190	280	560	1910	3080	300
1RA7 568-8FA90-0CA0	9850	1060	1290	2060	1600	335	190	280	560	1910	2620	300
1RA7 568-8FA90-0CC0	9900	1060	1290	2060	1600	600	190	280	560	1910	3080	300

Innomotics HV M - 1RQ. IC611 6000 V / 50 Hz B3 (IM 1001)																			
Rated power IEC	Article No.	Speed	Rated current		Efficiency				Power factor				Torque	Breakdown torque	Locked torque	Locked rotor current	Inertia		
			I_R		5/4 load	4/4 load	3/4 load	2/4 load	5/4 load	4/4 load	3/4 load	2/4 load					T_R	T_B/ T_R	T_{LR}/ T_R
kW		rpm	A		%	%	%	%	cos φ	cos φ	cos φ	cos φ	Nm	[-]	[-]	[-]	kgm ²	kgm ²	[-]
2-pole: n_{sync} = 3000 rpm at 50 Hz																			
1410	1RQ7 453-2JA60-0A.2	2978	158		95.5	95.9	96.1	95.5	0.88	0.89	0.88	0.84	4525	2.40	0.55	5.5	10	55	o.r.
1440	1RQ7 453-2JA60-0C.2	2976	162		95.4	96.0	96.2	95.8	0.87	0.89	0.89	0.86	4625	2.15	0.55	4.7	14	135	o.r.
1600	1RQ7 454-2JA60-0A.2	2978	180		95.6	96.0	96.1	95.5	0.88	0.89	0.88	0.83	5133	2.40	0.55	5.5	11	55	o.r.
1600	1RQ7 454-2JA60-0C.2	2978	178		95.6	96.1	96.1	95.5	0.88	0.90	0.89	0.85	5131	2.45	0.60	5.4	15	135	o.r.
1800	1RQ7 457-2JA60-0A.2	2976	200		95.6	96.1	96.4	96.1	0.88	0.90	0.90	0.87	5778	2.40	0.55	5.5	12	55	o.r.
1800	1RQ7 457-2JA60-0C.2	2978	200		95.7	96.2	96.3	95.9	0.90	0.90	0.90	0.87	5774	2.50	0.65	5.5	16	135	o.r.
2000	1RQ7 458-2JA60-0A.2	2976	220		95.9	96.3	96.5	96.1	0.89	0.90	0.90	0.86	6419	2.50	0.60	5.6	13	60	o.r.
2000	1RQ7 458-2JA60-0C.2	2978	220		95.9	96.4	96.6	96.1	0.89	0.90	0.90	0.87	6416	2.50	0.65	5.5	18	140	o.r.
2120	1RQ7 503-2JA60-0A.2	2970	240		95.7	96.2	96.4	96.2	0.88	0.89	0.88	0.84	6817	2.50	0.65	4.9	15	44	o.r.
2200	1RQ7 503-2JA60-0C.2	2975	245		95.9	96.4	96.6	96.3	0.88	0.89	0.89	0.86	7065	2.35	0.65	4.6	20	120	o.r.
2160	1RQ7 504-2JA60-0A.2	2971	240		95.9	96.3	96.5	96.2	0.89	0.90	0.88	0.84	6941	2.65	0.60	5.2	15	52	o.r.
2260	1RQ7 504-2JA60-0C.2	2975	250		96.0	96.4	96.6	96.4	0.89	0.90	0.90	0.85	7255	2.50	0.65	4.8	21	124	o.r.
2510	1RQ7 507-2JA60-0A.2	2973	280		96.2	96.6	96.8	96.5	0.90	0.90	0.89	0.84	8061	2.75	0.75	5.6	18	58	o.r.
2630	1RQ7 507-2JA60-0C.2	2977	290		96.3	96.7	96.9	96.6	0.90	0.91	0.90	0.86	8437	2.60	0.75	5.1	24	128	o.r.
2700	1RQ7 508-2JA60-0A.2	2975	295		96.4	96.8	96.9	96.7	0.91	0.91	0.90	0.85	8664	2.95	0.85	6.1	20	72	o.r.
2840	1RQ7 508-2JA60-0C.2	2979	305		96.5	96.9	97.0	96.8	0.91	0.92	0.91	0.87	9105	2.75	0.85	5.6	27	144	o.r.
3200	1RQ7 562-2JA60-0CC2	2984	350		96.3	96.4	96.3	95.6	0.91	0.91	0.90	0.86	10247	2.55	0.70	5.8	41	260	o.r.
3550	1RQ7 563-2JA60-0CC2	2984	390		96.5	96.6	96.5	95.8	0.90	0.91	0.90	0.86	11367	2.55	0.65	5.7	44	270	o.r.
4000	1RQ7 564-2JA60-0CC2	2983	440		96.4	96.5	96.3	95.6	0.91	0.91	0.91	0.87	12814	2.45	0.65	5.5	47	275	o.r.
4500	1RQ7 567-2JA60-0CC2	2984	485		96.6	96.7	96.5	95.8	0.92	0.92	0.91	0.87	14407	2.60	0.65	5.9	52	275	o.r.
5000	1RQ7 568-2JA60-0CC2	2986	540		96.9	96.8	96.7	95.9	0.92	0.92	0.90	0.86	15993	2.85	0.65	5.9	58	295	o.r.
5600	1RQ8 633-2JA60-0CJ0	2983	630		96.4	96.7	96.4	95.5	0.87	0.89	0.90	0.88	17927	2.20	0.60	5.2	82	250	o.r.
6100	1RQ8 634-2JA60-0CJ0	2983	670		96.5	96.9	96.6	95.8	0.88	0.90	0.90	0.89	19528	2.20	0.60	5.2	90	250	o.r.
6750	1RQ8 637-2JA60-0CJ0	2984	740		96.8	97.1	96.8	96.0	0.89	0.91	0.91	0.90	21601	2.35	0.65	5.5	99	260	o.r.
7300	1RQ8 638-2JA60-0CJ0	2985	790		96.9	97.2	96.9	96.1	0.90	0.91	0.91	0.89	23353	2.50	0.65	5.9	107	270	o.r.
7950	1RQ8 712-2JA60-0CJ0	2986	890		96.6	96.7	96.5	95.6	0.86	0.89	0.89	0.88	25424	2.00	0.55	4.7	149	190	o.r.
8550	1RQ8 713-2JA60-0CJ0	2987	940		96.7	96.9	96.6	95.7	0.87	0.90	0.90	0.88	27334	2.15	0.60	5.1	160	149	o.r.
8800	1RQ8 714-2JA60-0CJ0	2988	970		96.8	96.9	96.6	95.7	0.88	0.90	0.90	0.88	28124	2.25	0.45	5.2	172	240	o.r.
9100	1RQ8 716-2JA60-0CJ0	2985	990		96.8	97.0	96.8	96.1	0.88	0.91	0.92	0.92	29112	2.05	0.55	4.8	186	210	o.r.
10100	1RQ8 717-2JA60-0CJ0	2986	1100		97.0	97.2	97.0	96.4	0.88	0.91	0.92	0.91	32300	2.05	0.55	4.9	201	220	o.r.
11000	1RQ8 718-2JA60-0CJ0	2988	1180		97.3	97.4	97.1	96.4	0.90	0.92	0.91	0.90	35155	2.25	0.50	5.4	217	250	o.r.
4-pole: n_{sync} = 1500 rpm at 50 Hz																			
1320	1RQ7 453-4JA60-0A.2	1483	150		95.0	95.7	95.8	95.6	0.87	0.88	0.86	0.80	8504	2.50	0.70	5.7	17	275	o.r.
1400	1RQ7 453-4JA60-0C.2	1486	160		95.2	95.8	96.0	95.8	0.87	0.88	0.87	0.82	9008	2.25	0.50	5.0	23	500	o.r.
1430	1RQ7 454-4JA60-0A.0	1484	166		95.1	95.7	95.9	95.6	0.87	0.87	0.83	0.74	9206	2.70	0.85	5.9	19	325	o.r.
1600	1RQ7 454-4JA60-0C.2	1486	182		95.4	96.0	96.2	95.9	0.87	0.88	0.86	0.80	10288	2.35	0.50	5.0	26	535	o.r.

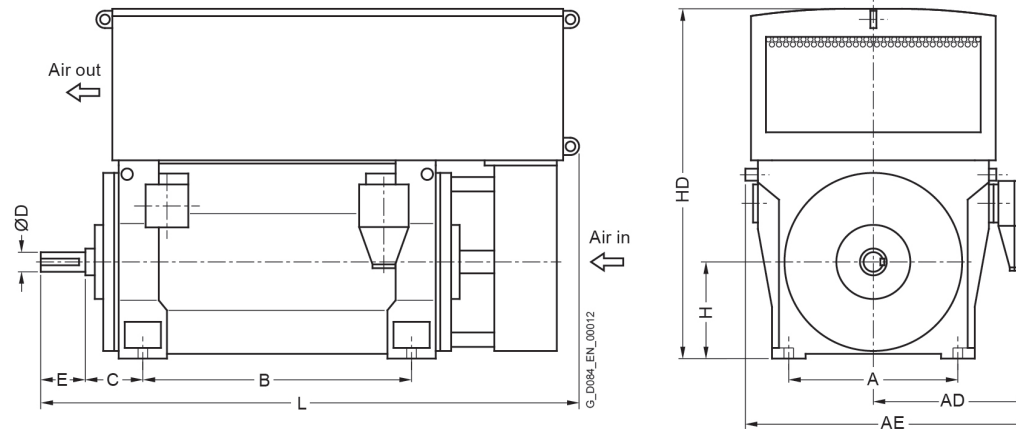
Innomotics HV M - 1RQ. IC611 6000 V / 50 Hz B3 (IM 1001)																		
Rated power IEC	Article No.	Speed	Rated current I_R	Efficiency				Power factor				Torque T_R	Breakdown torque T_B/ T_R	Locked rotor torque T_{LR}/ T_R	Locked rotor current I_{LR}/ I_R	Inertia		
				5/4 load	4/4 load	3/4 load	2/4 load	5/4 load	4/4 load	3/4 load	2/4 load					motor	external	Startup max T/TR
kW		rpm	A	%	%	%	%	cos φ	cos φ	cos φ	cos φ	Nm	[-]	[-]	[-]	kgm ²	kgm ²	[-]
1800	1RQ7 457-4JA60-0C.2	1488	205	95.9	96.3	96.4	96.1	0.88	0.88	0.86	0.79	11554	2.65	0.60	6.0	30	690	o.r.
1660	1RQ7 457-4JA60-0A.2	1484	184	95.5	96.1	96.3	96.1	0.89	0.90	0.88	0.83	10686	2.65	0.80	5.8	22	375	o.r.
2000	1RQ7 458-4JA60-0C.2	1489	225	96.0	96.4	96.5	96.2	0.88	0.88	0.86	0.78	12833	2.75	0.60	6.0	33	730	o.r.
1800	1RQ7 458-4JA60-0A.2	1485	200	95.7	96.2	96.4	96.2	0.89	0.90	0.88	0.83	11581	2.75	0.85	6.0	24	410	o.r.
2170	1RQ7 503-4JA60-0C.2	1488	245	96.0	96.4	96.6	96.2	0.89	0.89	0.87	0.82	13931	2.55	0.65	5.2	45	690	o.r.
2100	1RQ7 503-4JA60-0A.2	1485	235	95.7	96.3	96.6	96.3	0.88	0.90	0.89	0.85	13517	2.30	0.80	5.1	37	560	o.r.
2370	1RQ7 504-4JA60-0C.2	1489	260	96.2	96.6	96.7	96.3	0.89	0.90	0.87	0.82	15207	2.60	0.70	5.5	50	735	o.r.
2240	1RQ7 504-4JA60-0A.2	1485	250	95.8	96.4	96.7	96.4	0.89	0.90	0.89	0.86	14412	2.40	0.90	5.4	40	605	o.r.
2650	1RQ7 507-4JA60-0C.2	1490	295	96.4	96.7	96.9	96.4	0.89	0.90	0.87	0.82	16997	2.60	0.70	5.5	56	825	o.r.
2470	1RQ7 507-4JA60-0A.2	1485	270	96.0	96.5	96.8	96.6	0.89	0.91	0.90	0.87	15890	2.50	0.95	5.6	46	675	o.r.
2880	1RQ7 508-4JA60-0C.2	1491	320	96.5	96.8	96.9	96.5	0.89	0.89	0.87	0.81	18460	2.90	0.75	6.0	62	865	o.r.
2700	1RQ7 508-4JA60-0A.2	1488	300	96.2	96.7	97.0	96.8	0.89	0.90	0.90	0.87	17368	2.45	0.90	5.6	50	795	o.r.
3150	1RQ7 563-4JA60-0C.2	1491	355	96.6	96.9	97.1	96.8	0.88	0.88	0.87	0.83	20188	2.35	0.65	5.6	80	680	o.r.
3600	1RQ7 564-4JA60-0C.2	1490	401	96.6	97.0	97.2	97.0	0.88	0.89	0.89	0.86	23090	2.20	0.60	5.2	90	780	o.r.
4100	1RQ7 566-4JA60-0C.2	1490	451	96.7	97.1	97.3	97.2	0.88	0.90	0.90	0.87	26297	2.20	0.70	5.3	100	780	o.r.
4650	1RQ7 567-4JA60-0C.2	1491	517	97.0	97.2	97.4	97.2	0.88	0.89	0.88	0.84	29796	2.40	0.65	5.7	109	860	o.r.
5000	1RQ7 568-4JA60-0C.2	1492	556	97.1	97.3	97.5	97.1	0.89	0.89	0.87	0.81	32005	2.70	0.80	6.5	119	830	o.r.
5500	1RQ8 633-4JA60-0C.0	1491	610	96.6	97.0	96.9	96.4	0.88	0.89	0.88	0.84	35225	2.40	0.60	5.7	151	660	o.r.
5850	1RQ8 634-4JA60-0C.0	1491	640	96.7	97.0	97.0	96.5	0.88	0.90	0.89	0.85	37467	2.40	0.60	5.8	166	760	o.r.
6550	1RQ8 637-4JA60-0C.0	1492	720	96.9	97.2	97.1	96.6	0.89	0.90	0.88	0.84	41922	2.50	0.60	6.0	181	820	o.r.
7250	1RQ8 638-4JA60-0C.0	1492	810	97.0	97.3	97.2	96.7	0.88	0.89	0.87	0.81	46402	2.55	0.60	6.0	197	910	o.r.
7950	1RQ8 712-4JA60-0C.0	1492	880	97.0	97.3	97.3	96.8	0.88	0.89	0.88	0.84	50883	2.35	0.50	5.5	258	830	o.r.
8450	1RQ8 713-4JA60-0C.0	1492	940	97.2	97.4	97.4	96.9	0.89	0.89	0.88	0.84	54083	2.50	0.50	5.8	282	930	o.r.
9150	1RQ8 714-4JA60-0C.0	1493	1000	97.3	97.5	97.5	97.1	0.89	0.90	0.89	0.85	58524	2.60	0.55	6.0	310	1040	o.r.
10100	1RQ8 717-4JA60-0C.0	1493	1100	97.4	97.6	97.6	97.2	0.89	0.90	0.89	0.85	64600	2.60	0.55	6.0	344	1140	o.r.
10350	1RQ8 718-4JA60-0C.0	1492	1120	97.3	97.6	97.7	97.3	0.90	0.91	0.91	0.89	66243	2.55	0.55	6.0	365	1170	o.r.
6-pole: n_{sync} = 1000 rpm at 50 Hz																		
1080	1RQ7 453-6JA60-0A.2	989	128	94.7	95.5	95.8	95.6	0.85	0.85	0.82	0.74	10435	2.20	0.80	5.1	22	845	o.r.
1100	1RQ7 453-6JA60-0C.0	989	130	94.6	95.4	95.8	95.7	0.85	0.86	0.84	0.77	10628	2.25	0.65	5.0	30	1030	o.r.
1230	1RQ7 454-6JA60-0C.2	989	146	94.9	95.6	95.9	95.8	0.85	0.85	0.83	0.75	11883	2.30	0.65	5.0	33	1300	o.r.
1120	1RQ7 454-6JA60-0A.2	990	132	94.8	95.6	95.9	95.8	0.85	0.86	0.83	0.75	10816	2.40	0.85	5.5	24	875	o.r.
1320	1RQ7 457-6JA60-0A.0	990	156	95.0	95.7	96.0	95.9	0.85	0.85	0.82	0.74	12747	2.40	0.80	5.3	28	1130	o.r.
1350	1RQ7 457-6JA60-0C.0	989	158	95.0	95.7	96.0	96.0	0.85	0.86	0.84	0.77	13034	2.35	0.65	5.1	36	1365	o.r.
1420	1RQ7 458-6JA60-0A.2	991	166	95.3	95.9	96.2	96.0	0.86	0.86	0.82	0.73	13697	2.55	0.90	5.8	31	1250	o.r.
1450	1RQ7 458-6JA60-0C.2	990	168	95.3	96.0	96.2	96.1	0.86	0.87	0.84	0.77	13990	2.50	0.70	5.3	41	1470	o.r.
1880	1RQ7 503-6JA60-0C.2	992	210	95.8	96.3	96.5	96.3	0.84	0.86	0.82	0.74	18109	2.35	0.75	4.7	60	1740	o.r.
1860	1RQ7 503-6JA60-0A.2	990	210	95.4	96.1	96.5	96.5	0.84	0.86	0.84	0.78	17956	2.15	0.85	4.6	46	1560	o.r.

Innomotics HV M - 1RQ. IC611 6000 V / 50 Hz B3 (IM 1001)																		
Rated power IEC	Article No.	Speed	Rated current I_R	Efficiency				Power factor				Torque T_R	Breakdown torque T_B/ T_R	Locked rotor torque T_{LR}/ T_R	Locked rotor current I_{LR}/ I_R	Inertia		
				5/4 load	4/4 load	3/4 load	2/4 load	5/4 load	4/4 load	3/4 load	2/4 load					motor	external	Startup max T/TR
kW		rpm	A	%	%	%	%	cos φ	cos φ	cos φ	cos φ	Nm	[-]	[-]	[-]	kgm ²	kgm ²	[-]
1960	1RQ7 504-6JA60-0A.2	990	230	95.7	96.3	96.6	96.5	0.85	0.86	0.84	0.77	18901	2.35	0.90	5.0	51	1890	o.r.
2000	1RQ7 504-6JA60-0C.2	992	230	95.9	96.4	96.7	96.5	0.85	0.86	0.84	0.77	19263	2.40	0.85	4.9	66	2070	o.r.
2280	1RQ7 507-6JA60-0C.2	992	260	96.1	96.6	96.8	96.7	0.85	0.86	0.84	0.77	21960	2.35	0.75	4.8	74	2440	o.r.
2000	1RQ7 507-6JA60-0A.2	990	230	95.6	96.2	96.7	96.7	0.86	0.86	0.87	0.82	19302	2.15	0.90	4.7	58	1800	o.r.
2310	1RQ7 508-6JA60-0C.2	992	265	96.1	96.7	96.9	96.8	0.86	0.86	0.86	0.80	22248	2.30	0.80	4.7	80	2270	o.r.
2260	1RQ7 508-6JA60-0A.2	990	255	95.9	96.4	96.9	96.8	0.86	0.86	0.86	0.82	21803	2.25	0.90	4.9	63	2240	o.r.
2500	1RQ7 561-6JA60-0C.2	992	290	95.8	96.3	96.6	96.5	0.85	0.86	0.85	0.81	24089	1.90	0.60	5.5	97	2025	o.r.
2700	1RQ7 562-6JA60-0C.2	992	315	96.0	96.4	96.7	96.7	0.85	0.86	0.85	0.82	26010	2.00	0.60	5.5	105	2245	o.r.
2900	1RQ7 563-6JA60-0C.2	992	335	96.0	96.6	96.7	96.5	0.85	0.86	0.85	0.81	27928	2.00	0.60	5.5	113	2540	o.r.
3250	1RQ7 564-6JA60-0C.2	992	375	96.1	96.6	96.8	96.6	0.85	0.86	0.86	0.81	31299	2.00	0.60	5.5	124	2485	o.r.
3450	1RQ7 567-6JA60-0C.2	993	400	96.3	96.7	96.9	96.7	0.86	0.86	0.86	0.81	33189	2.00	0.60	5.5	137	2885	o.r.
3800	1RQ7 568-6JA60-0C.2	993	440	96.6	96.9	97.0	96.8	0.86	0.86	0.85	0.80	36543	2.00	0.60	6.0	151	3430	o.r.
4200	1RQ8 632-6JA60-0C.0	992	485	96.2	96.6	96.7	96.2	0.85	0.86	0.83	0.76	40430	2.25	0.55	5.1	193	2140	o.r.
4400	1RQ8 633-6JA60-0C.0	992	500	96.2	96.7	96.8	96.4	0.85	0.87	0.85	0.80	42356	2.20	0.60	5.1	209	2370	o.r.
4850	1RQ8 634-6JA60-0C.0	993	560	96.5	96.8	96.9	96.3	0.85	0.86	0.82	0.74	46641	2.40	0.60	5.4	227	2640	o.r.
5150	1RQ8 637-6JA60-0C.0	993	590	96.6	96.9	96.9	96.4	0.86	0.87	0.83	0.76	49526	2.50	0.60	5.5	247	2930	o.r.
5400	1RQ8 638-6JA60-0C.0	993	620	96.7	97.0	97.0	96.5	0.86	0.87	0.83	0.75	51930	2.50	0.60	5.5	264	3300	o.r.
6150	1RQ8 712-6JA60-0C.0	993	700	96.8	97.2	97.3	96.9	0.85	0.87	0.85	0.79	59142	2.25	0.55	5.3	331	2520	o.r.
6700	1RQ8 713-6JA60-0C.0	994	760	96.9	97.3	97.4	97.0	0.86	0.87	0.86	0.80	64366	2.30	0.55	5.4	373	2990	o.r.
7350	1RQ8 714-6JA60-0C.0	995	840	97.1	97.4	97.4	96.9	0.85	0.86	0.83	0.74	70540	2.40	0.50	5.5	420	3730	o.r.
8150	1RQ8 717-6JA60-0C.0	995	940	97.2	97.5	97.5	97.0	0.85	0.86	0.83	0.75	78218	2.45	0.50	5.5	474	4310	o.r.
8650	1RQ8 718-6JA60-0C.0	995	960	97.2	97.6	97.7	97.4	0.88	0.89	0.87	0.83	83016	2.45	0.60	5.5	524	4370	o.r.
8-pole: n_{sync} = 750 rpm at 50 Hz																		
740	1RQ7 452-8JA60-0A.0	739	93	93.8	94.9	95.4	95.3	0.79	0.81	0.78	0.70	9562	1.80	0.60	4.2	25	1710	o.r.
840	1RQ7 453-8JA60-0A.0	739	104	94.0	95.1	95.5	95.5	0.80	0.81	0.78	0.70	10852	1.80	0.55	4.1	28	2070	o.r.
910	1RQ7 454-8JA60-0A.2	740	114	94.4	95.3	95.6	95.4	0.81	0.81	0.77	0.68	11739	2.00	0.65	4.5	31	2310	o.r.
1010	1RQ7 457-8JA60-0A.2	741	128	94.8	95.5	95.6	95.3	0.81	0.80	0.75	0.63	13015	2.20	0.70	4.8	35	2700	o.r.
1120	1RQ7 458-8JA60-0A.2	741	140	94.7	95.5	95.7	95.5	0.81	0.81	0.76	0.65	14441	2.10	0.70	4.8	39	2750	o.r.
1250	1RQ7 502-8JA60-0A.2	743	154	95.3	95.9	96.2	96.1	0.81	0.81	0.78	0.70	16082	2.15	0.85	4.3	46	2580	o.r.
1400	1RQ7 503-8JA60-0A.2	742	172	95.3	96.0	96.4	96.4	0.82	0.82	0.79	0.73	18011	2.05	0.80	4.2	51	2660	o.r.
1400	1RQ7 503-8JA60-0C.2	742	170	95.3	96.0	96.4	96.4	0.82	0.83	0.80	0.74	18021	2.10	0.55	4.0	65	3440	o.r.
1500	1RQ7 504-8JA60-0A.2	743	180	95.5	96.1	96.5	96.5	0.81	0.83	0.81	0.74	19295	2.10	0.80	4.3	56	2900	o.r.
1520	1RQ7 504-8JA60-0C.2	742	184	95.4	96.1	96.5	96.6	0.81	0.83	0.82	0.74	19567	2.10	0.55	4.0	72	4010	o.r.
1600	1RQ7 507-8JA60-0A.2	744	194	95.8	96.3	96.5	96.3	0.83	0.82	0.79	0.69	20560	2.35	0.95	4.8	63	3560	o.r.
1600	1RQ7 507-8JA60-0C.2	743	192	95.8	96.3	96.5	96.4	0.83	0.83	0.79	0.71	20564	2.40	0.70	4.6	80	4900	o.r.
1800	1RQ7 508-8JA60-0A.2	743	215	95.8	96.4	96.7	96.7	0.83	0.83	0.81	0.74	23162	2.15	0.85	4.4	69	3520	o.r.
1800	1RQ7 508-8JA60-0C.2	743	215	95.8	96.4	96.7	96.8	0.83	0.84	0.81	0.74	23164	2.25	0.60	4.3	88	5270	o.r.

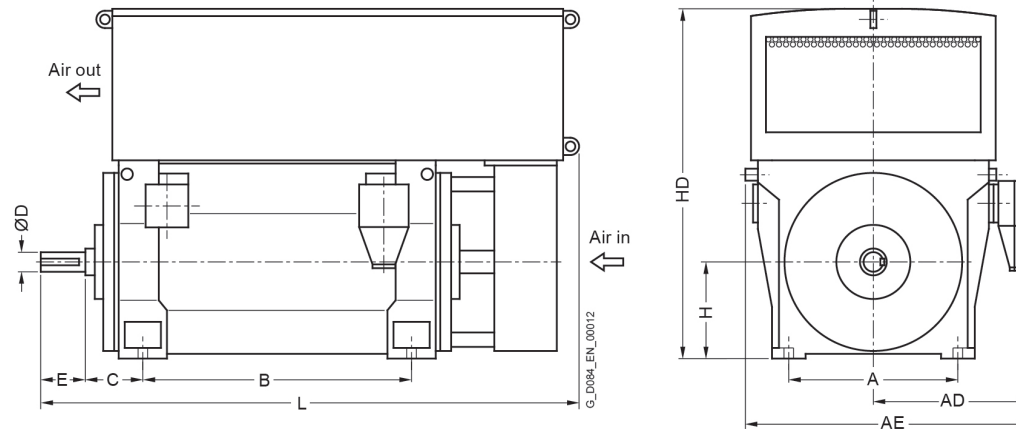
Innomotics HV M - 1RQ. IC611 6000 V / 50 Hz B3 (IM 1001)																		
Rated power IEC	Article No.	Speed	Rated current I_R	Efficiency				Power factor				Torque T_R	Breakdown torque T_B/ T_R	Locked rotor torque T_{LR}/ T_R	Locked rotor current I_{LR}/ I_R	Inertia		
				5/4 load	4/4 load	3/4 load	2/4 load	5/4 load	4/4 load	3/4 load	2/4 load					motor	external	Startup max T/TR
kW		rpm	A	%	%	%	%	$\cos \varphi$	$\cos \varphi$	$\cos \varphi$	$\cos \varphi$	Nm	[-]	[-]	[-]	kgm ²	kgm ²	[-]
2050	1RQ7 563-8JA60-0C.2	744	245	95.8	96.3	96.6	96.4	0.83	0.83	0.80	0.73	26327	2.25	0.65	4.9	124	3105	o.r.
2240	1RQ7 564-8JA60-0C.2	744	270	96.0	96.5	96.7	96.4	0.83	0.83	0.80	0.72	28750	2.35	0.65	5.2	137	3690	o.r.
2500	1RQ7 567-8JA60-0C.2	744	295	96.1	96.6	96.9	96.6	0.83	0.84	0.81	0.74	32106	2.25	0.60	5.0	150	4895	o.r.
2800	1RQ7 568-8JA60-0C.2	745	335	96.4	96.8	96.9	96.6	0.83	0.83	0.79	0.71	35921	2.45	0.70	5.4	165	6355	o.r.
2900	1RQ8 633-8JA60-0C.0	743	340	95.5	96.1	96.2	95.9	0.84	0.85	0.82	0.74	37272	2.05	0.45	4.4	216	3890	o.r.
3550	1RQ8 634-8JA60-0C.0	744	415	95.6	96.2	96.2	95.9	0.85	0.86	0.82	0.74	45565	2.20	0.50	4.8	251	3530	o.r.
3850	1RQ8 637-8JA60-0C.0	744	450	96.1	96.4	96.4	95.9	0.85	0.85	0.80	0.70	49415	2.25	0.50	4.8	291	6660	o.r.
4100	1RQ8 638-8JA60-0C.0	744	480	96.2	96.6	96.5	96.0	0.85	0.85	0.81	0.72	52624	2.25	0.50	4.9	324	7800	o.r.
4300	1RQ8 712-8JA60-0C.0	745	455	96.3	96.7	96.8	96.4	0.87	0.87	0.84	0.77	55117	2.35	0.60	5.0	422	6050	o.r.
4600	1RQ8 713-8JA60-0C.0	745	510	96.4	96.8	96.8	96.3	0.87	0.87	0.83	0.74	58962	2.50	0.55	5.3	472	5800	o.r.
5200	1RQ8 714-8JA60-0C.0	745	570	96.6	96.9	96.9	96.5	0.87	0.87	0.83	0.75	66653	2.45	0.55	5.3	540	6300	o.r.
5800	1RQ8 717-8JA60-0C.0	745	630	96.7	97.1	97.1	96.8	0.87	0.88	0.85	0.78	74344	2.40	0.60	5.2	618	8230	o.r.
6150	1RQ8 718-8JA60-0C.0	745	690	96.8	97.1	97.2	96.9	0.88	0.88	0.85	0.79	78830	2.45	0.65	5.4	682	8470	o.r.



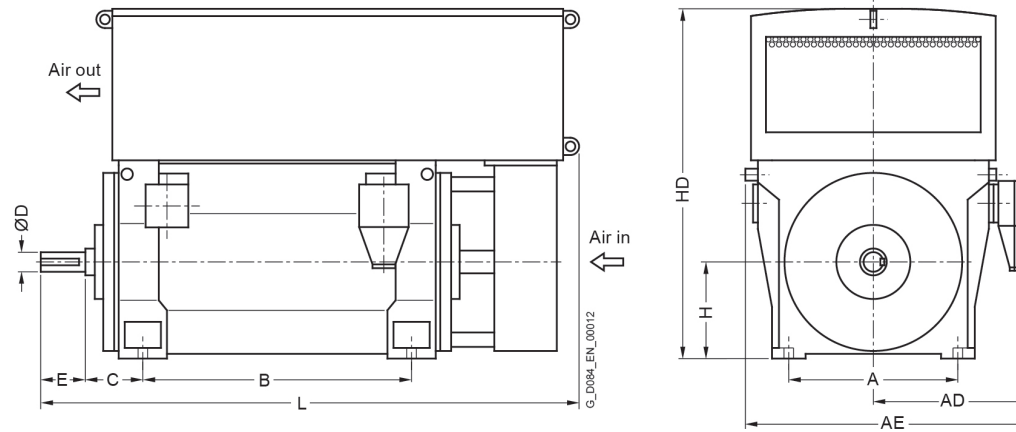
Motor type	Weight	Dimensions										
		A	AD	AE	B	C	D	E	H	HD	L	ML
	kg	mm	mm	mm	mm	mm	mm	mm	mm	mm	mm	mm
Innomotics HV M - 1RQ. IC611 6000 V / 50 Hz B3 (IM 1001) - Dimension drawings												
2-pole												
1RQ7 453-2JA60-0AA2	4650	850	925	1545	1180	250	95	130	450	1900	2650	200
1RQ7 453-2JA60-0AC2	4500	850	925	1545	1180	475	95	130	450	1900	2880	200
1RQ7 453-2JA60-0CA2	4750	850	925	1545	1180	250	95	130	450	1900	2650	200
1RQ7 453-2JA60-0CC2	4650	850	925	1545	1180	475	95	130	450	1900	2880	200
1RQ7 454-2JA60-0AA2	4750	850	925	1545	1180	250	95	130	450	1900	2650	200
1RQ7 454-2JA60-0AC2	4650	850	925	1545	1180	475	95	130	450	1900	2880	200
1RQ7 454-2JA60-0CA2	4900	850	925	1545	1180	250	95	130	450	1900	2650	200
1RQ7 454-2JA60-0CC2	4800	850	925	1545	1180	475	95	130	450	1900	2880	200
1RQ7 457-2JA60-0AA2	5150	850	925	1545	1400	250	95	130	450	1900	2860	200
1RQ7 457-2JA60-0AC2	5050	850	925	1545	1400	475	95	130	450	1900	3090	200
1RQ7 457-2JA60-0CA2	5300	850	925	1545	1400	250	95	130	450	1900	2860	200
1RQ7 457-2JA60-0CC2	5200	850	925	1545	1400	475	95	130	450	1900	3090	200
1RQ7 458-2JA60-0AA2	5400	850	925	1545	1400	250	95	130	450	1900	2860	200
1RQ7 458-2JA60-0AC2	5250	850	925	1545	1400	475	95	130	450	1900	3090	200
1RQ7 458-2JA60-0CA2	5550	850	925	1545	1400	250	95	130	450	1900	2860	200
1RQ7 458-2JA60-0CC2	5450	850	925	1545	1400	475	95	130	450	1900	3090	200
1RQ7 503-2JA60-0AA2	6350	950	1005	1705	1320	250	110	165	500	2210	2920	250
1RQ7 503-2JA60-0AC2	6300	950	1005	1705	1320	530	120	165	500	2210	3200	250
1RQ7 503-2JA60-0CA2	6500	950	1005	1705	1320	250	110	165	500	2210	2920	250
1RQ7 503-2JA60-0CC2	6450	950	1005	1705	1320	530	120	165	500	2210	3200	250
1RQ7 504-2JA60-0AA2	6450	950	1005	1705	1320	250	110	165	500	2210	2920	250
1RQ7 504-2JA60-0AC2	6350	950	1005	1705	1320	530	120	165	500	2210	3200	250



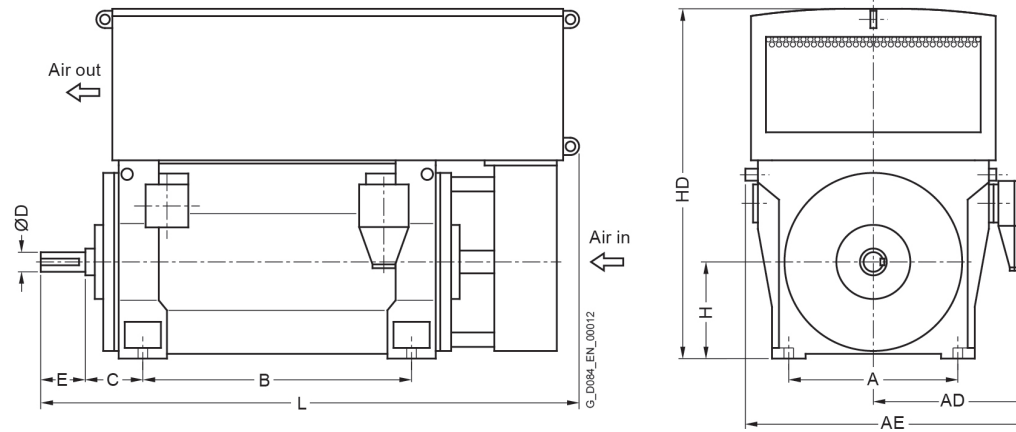
Motor type	Weight	Dimensions												
		A	AD	AE	B	C	D	E	H	HD	L	ML		
	kg	mm	mm	mm	mm	mm	mm	mm	mm	mm	mm	mm	mm	
Innomotics HV M - 1RQ. IC611 6000 V / 50 Hz B3 (IM 1001) - Dimension drawings														
1RQ7 504-2JA60-0CA2	6600	950	1005	1705	1320	250	110	165	500	2210	2920	250		
1RQ7 504-2JA60-0CC2	6500	950	1005	1705	1320	530	120	165	500	2210	3200	250		
1RQ7 507-2JA60-0AA2	7150	950	1005	1705	1500	250	110	165	500	2210	3130	250		
1RQ7 507-2JA60-0AC2	7100	950	1005	1705	1500	530	120	165	500	2210	3410	250		
1RQ7 507-2JA60-0CA2	7300	950	1005	1705	1500	250	110	165	500	2210	3130	250		
1RQ7 507-2JA60-0CC2	7250	950	1005	1705	1500	530	120	165	500	2210	3410	250		
1RQ7 508-2JA60-0AA2	7450	950	1005	1705	1500	250	110	165	500	2210	3130	250		
1RQ7 508-2JA60-0AC2	7400	950	1005	1705	1500	530	120	165	500	2210	3410	250		
1RQ7 508-2JA60-0CA2	7650	950	1005	1705	1500	250	110	165	500	2210	3130	250		
1RQ7 508-2JA60-0CC2	7550	950	1005	1705	1500	530	120	165	500	2210	3410	250		
1RQ7 562-2JA60-0CC2	8300	1060	1290	2060	1400	600	150	200	560	2330	3450	300		
1RQ7 563-2JA60-0CC2	8600	1060	1290	2060	1400	600	150	200	560	2330	3450	300		
1RQ7 564-2JA60-0CC2	8850	1060	1290	2060	1400	600	150	200	560	2330	3450	300		
1RQ7 567-2JA60-0CC2	9750	1060	1290	2060	1600	600	150	200	560	2330	3680	300		
1RQ7 568-2JA60-0CC2	10350	1060	1290	2060	1600	600	150	200	560	2330	3680	300		
1RQ8 633-2JA60-0CJ0	10850	1320	1520	2520	1600	560	160	240	630	2710	3680	350		
1RQ8 634-2JA60-0CJ0	11350	1320	1520	2520	1600	560	160	240	630	2710	3680	350		
1RQ8 637-2JA60-0CJ0	12300	1320	1520	2520	1800	560	160	240	630	2710	3880	350		
1RQ8 638-2JA60-0CJ0	12850	1320	1520	2520	1800	560	160	240	630	2710	3880	350		
1RQ8 712-2JA60-0CJ0	14750	1500	1620	2720	2000	560	180	240	710	3090	4400	400		
1RQ8 713-2JA60-0CJ0	15350	1500	1620	2720	2000	560	180	240	710	3090	4400	400		
1RQ8 714-2JA60-0CJ0	15950	1500	1620	2720	2000	560	180	240	710	3090	4400	400		
1RQ8 716-2JA60-0CJ0	17150	1500	1620	2720	2240	560	180	240	710	3090	4640	400		



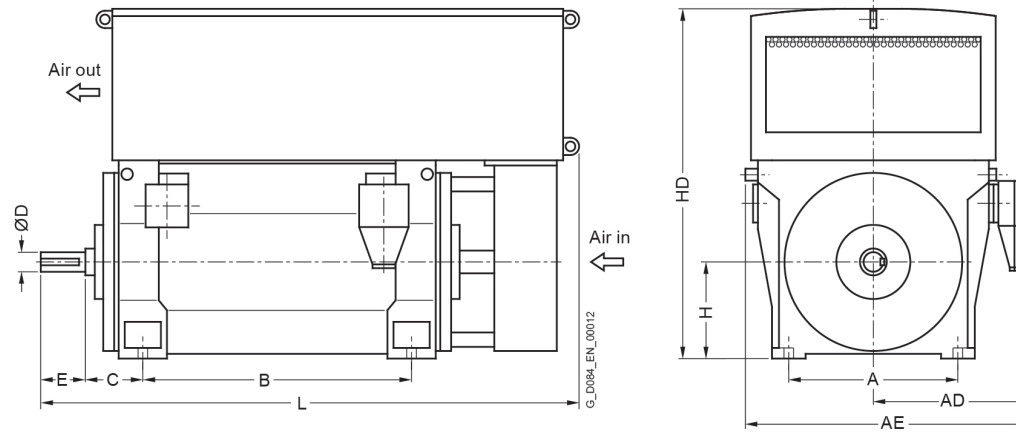
Motor type	Weight	Dimensions										
		A	AD	AE	B	C	D	E	H	HD	L	ML
	kg	mm	mm	mm	mm	mm	mm	mm	mm	mm	mm	mm
Innomotics HV M - 1RQ. IC611 6000 V / 50 Hz B3 (IM 1001) - Dimension drawings												
1RQ8 717-2JA60-0CJ0	18000	1500	1620	2720	2240	560	180	240	710	3090	4640	400
1RQ8 718-2JA60-0CJ0	19050	1500	1620	2720	2240	560	180	240	710	3090	4640	400
4-pole												
1RQ7 453-4JA60-0AA2	4650	850	925	1545	1180	250	130	200	450	1900	2720	200
1RQ7 453-4JA60-0AC2	4650	850	925	1545	1180	500	130	200	450	1900	2970	200
1RQ7 453-4JA60-0CA2	4800	850	925	1545	1180	250	130	200	450	1900	2720	200
1RQ7 453-4JA60-0CC2	4800	850	925	1545	1180	500	130	200	450	1900	2970	200
1RQ7 454-4JA60-0AA0	4800	850	925	1545	1180	250	130	200	450	1900	2720	200
1RQ7 454-4JA60-0AC0	4800	850	925	1545	1180	500	130	200	450	1900	2970	200
1RQ7 454-4JA60-0CA2	5000	850	925	1545	1180	250	130	200	450	1900	2720	200
1RQ7 454-4JA60-0CC2	5000	850	925	1545	1180	500	130	200	450	1900	2970	200
1RQ7 457-4JA60-0CA2	5650	850	925	1545	1400	250	130	200	450	1900	2930	200
1RQ7 457-4JA60-0CC2	5650	850	925	1545	1400	500	130	200	450	1900	3180	200
1RQ7 457-4JA60-0AA2	5400	850	925	1545	1400	250	130	200	450	1900	2930	200
1RQ7 457-4JA60-0AC2	5450	850	925	1545	1400	500	130	200	450	1900	3180	200
1RQ7 458-4JA60-0CA2	5850	850	925	1545	1400	250	130	200	450	1900	2930	200
1RQ7 458-4JA60-0CC2	5850	850	925	1545	1400	500	130	200	450	1900	3180	200
1RQ7 458-4JA60-0AA2	5650	850	925	1545	1400	250	130	200	450	1900	2930	200
1RQ7 458-4JA60-0AC2	5650	850	925	1545	1400	500	130	200	450	1900	3180	200
1RQ7 503-4JA60-0CA2	6800	950	1005	1705	1320	315	160	240	500	2210	3060	250
1RQ7 503-4JA60-0CC2	6850	950	1005	1705	1320	560	170	240	500	2210	3300	250
1RQ7 503-4JA60-0AA2	6650	950	1005	1705	1320	315	160	240	500	2210	3060	250
1RQ7 503-4JA60-0AC2	6700	950	1005	1705	1320	560	170	240	500	2210	3300	250



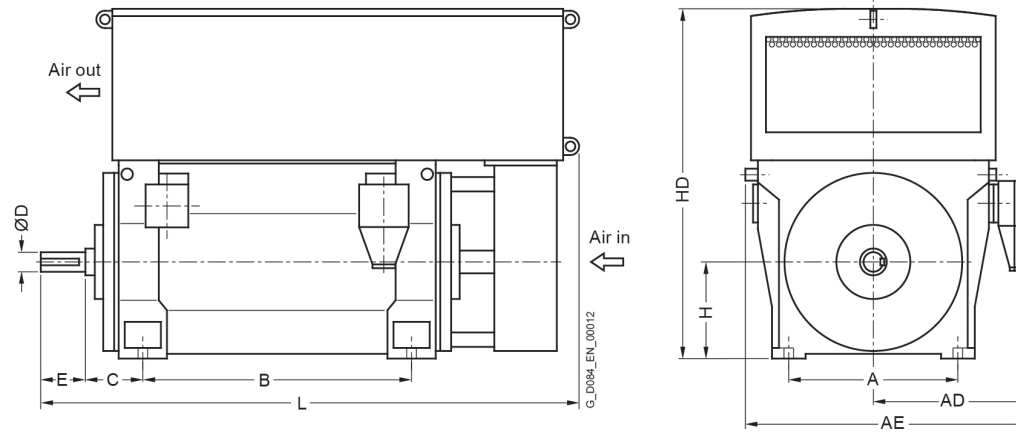
Motor type	Weight	Dimensions												
		A	AD	AE	B	C	D	E	H	HD	L	ML		
	kg	mm	mm	mm	mm	mm	mm	mm	mm	mm	mm	mm	mm	
Innomotics HV M - 1RQ. IC611 6000 V / 50 Hz B3 (IM 1001) - Dimension drawings														
1RQ7 504-4JA60-0CA2	7100	950	1005	1705	1320	315	160	240	500	2210	3060	250		
1RQ7 504-4JA60-0CC2	7150	950	1005	1705	1320	560	170	240	500	2210	3300	250		
1RQ7 504-4JA60-0AA2	6900	950	1005	1705	1320	315	160	240	500	2210	3060	250		
1RQ7 504-4JA60-0AC2	6950	950	1005	1705	1320	560	170	240	500	2210	3300	250		
1RQ7 507-4JA60-0CA2	7800	950	1005	1705	1500	315	160	240	500	2210	3270	250		
1RQ7 507-4JA60-0CC2	7850	950	1005	1705	1500	560	170	240	500	2210	3510	250		
1RQ7 507-4JA60-0AA2	7600	950	1005	1705	1500	315	160	240	500	2210	3270	250		
1RQ7 507-4JA60-0AC2	7650	950	1005	1705	1500	560	170	240	500	2210	3510	250		
1RQ7 508-4JA60-0CA2	8150	950	1005	1705	1500	315	160	240	500	2210	3270	250		
1RQ7 508-4JA60-0CC2	8200	950	1005	1705	1500	560	170	240	500	2210	3510	250		
1RQ7 508-4JA60-0AA2	7950	950	1005	1705	1500	315	160	240	500	2210	3270	250		
1RQ7 508-4JA60-0AC2	8000	950	1005	1705	1500	560	170	240	500	2210	3510	250		
1RQ7 563-4JA60-0CA2	8650	1060	1290	2060	1400	335	190	280	560	2330	3260	300		
1RQ7 563-4JA60-0CC2	8700	1060	1290	2060	1400	600	190	280	560	2330	3530	300		
1RQ7 564-4JA60-0CA2	9150	1060	1290	2060	1400	335	190	280	560	2330	3260	300		
1RQ7 564-4JA60-0CC2	9150	1060	1290	2060	1400	600	190	280	560	2330	3530	300		
1RQ7 566-4JA60-0CA2	10000	1060	1290	2060	1600	335	190	280	560	2330	3490	300		
1RQ7 566-4JA60-0CC2	10050	1060	1290	2060	1600	600	190	280	560	2330	3760	300		
1RQ7 567-4JA60-0CA2	10500	1060	1290	2060	1600	335	190	280	560	2330	3490	300		
1RQ7 567-4JA60-0CC2	10550	1060	1290	2060	1600	600	190	280	560	2330	3760	300		
1RQ7 568-4JA60-0CA2	10950	1060	1290	2060	1600	335	190	280	560	2330	3490	300		
1RQ7 568-4JA60-0CC2	10950	1060	1290	2060	1600	600	190	280	560	2330	3760	300		
1RQ8 633-4JA60-0CG0	11500	1320	1520	2520	1600	375	200	280	630	2710	3530	350		



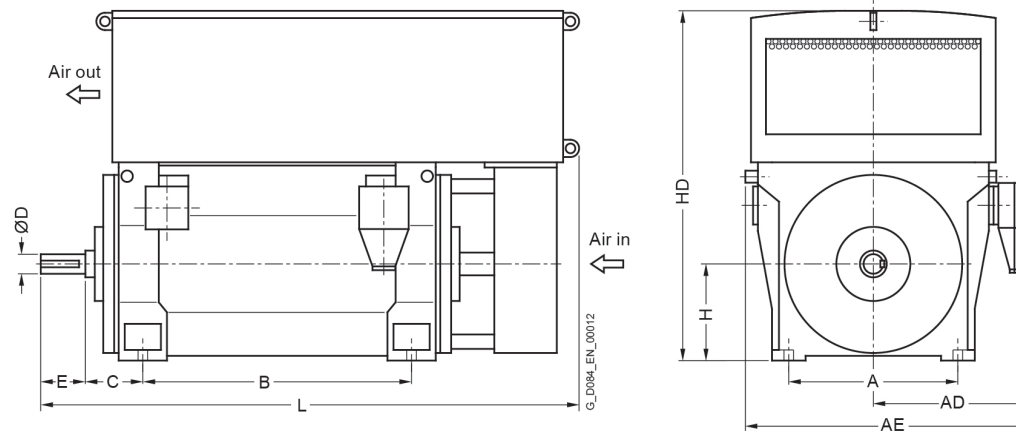
Motor type	Weight	Dimensions										
		A	AD	AE	B	C	D	E	H	HD	L	ML
	kg	mm	mm	mm	mm	mm	mm	mm	mm	mm	mm	mm
Innomotics HV M - 1RQ. IC611 6000 V / 50 Hz B3 (IM 1001) - Dimension drawings												
1RQ8 633-4JA60-0CJ0	11650	1320	1520	2520	1600	630	200	280	630	2710	3790	350
1RQ8 634-4JA60-0CG0	11900	1320	1520	2520	1600	375	200	280	630	2710	3530	350
1RQ8 634-4JA60-0CJ0	12050	1320	1520	2520	1600	630	200	280	630	2710	3790	350
1RQ8 637-4JA60-0CG0	12850	1320	1520	2520	1800	375	200	280	630	2710	3730	350
1RQ8 637-4JA60-0CJ0	12950	1320	1520	2520	1800	630	200	280	630	2710	3990	350
1RQ8 638-4JA60-0CG0	13550	1320	1520	2520	1800	375	200	280	630	2710	3730	350
1RQ8 638-4JA60-0CJ0	13700	1320	1520	2520	1800	630	200	280	630	2710	3990	350
1RQ8 712-4JA60-0CG0	15700	1500	1620	2720	2000	375	220	280	710	3090	3980	400
1RQ8 712-4JA60-0CJ0	15850	1500	1620	2720	2000	630	220	280	710	3090	4230	400
1RQ8 713-4JA60-0CG0	16400	1500	1620	2720	2000	375	220	280	710	3090	3980	400
1RQ8 713-4JA60-0CJ0	16500	1500	1620	2720	2000	630	220	280	710	3090	4230	400
1RQ8 714-4JA60-0CG0	17200	1500	1620	2720	2000	375	220	280	710	3090	3980	400
1RQ8 714-4JA60-0CJ0	17300	1500	1620	2720	2000	630	220	280	710	3090	4230	400
1RQ8 717-4JA60-0CG0	18500	1500	1620	2720	2240	375	220	280	710	3090	4220	400
1RQ8 717-4JA60-0CJ0	18650	1500	1620	2720	2240	630	220	280	710	3090	4470	400
1RQ8 718-4JA60-0CG0	19100	1500	1620	2720	2240	375	220	280	710	3090	4220	400
1RQ8 718-4JA60-0CJ0	19200	1500	1620	2720	2240	630	220	280	710	3090	4470	400
6-pole												
1RQ7 453-6JA60-0AA2	4650	850	925	1545	1180	250	130	200	450	1900	2720	200
1RQ7 453-6JA60-0AC2	4700	850	925	1545	1180	500	130	200	450	1900	2970	200
1RQ7 453-6JA60-0CA0	4800	850	925	1545	1180	250	130	200	450	1900	2720	200
1RQ7 453-6JA60-0CC0	4850	850	925	1545	1180	500	130	200	450	1900	2970	200
1RQ7 454-6JA60-0CA2	5050	850	925	1545	1180	250	130	200	450	1900	2720	200



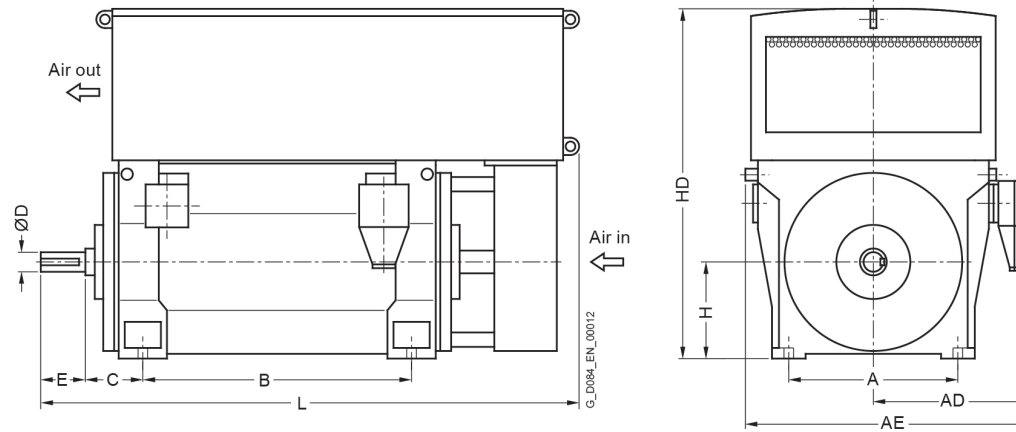
Motor type	Weight	Dimensions										
		A	AD	AE	B	C	D	E	H	HD	L	ML
	kg	mm	mm	mm	mm	mm	mm	mm	mm	mm	mm	mm
Innomotics HV M - 1RQ. IC611 6000 V / 50 Hz B3 (IM 1001) - Dimension drawings												
1RQ7 454-6JA60-0CC2	5050	850	925	1545	1180	500	130	200	450	1900	2970	200
1RQ7 454-6JA60-0AA2	4800	850	925	1545	1180	250	130	200	450	1900	2720	200
1RQ7 454-6JA60-0AC2	4850	850	925	1545	1180	500	130	200	450	1900	2970	200
1RQ7 457-6JA60-0AA0	5350	850	925	1545	1400	250	130	200	450	1900	2930	200
1RQ7 457-6JA60-0AC0	5350	850	925	1545	1400	500	130	200	450	1900	3180	200
1RQ7 457-6JA60-0CA0	5500	850	925	1545	1400	250	130	200	450	1900	2930	200
1RQ7 457-6JA60-0CC0	5550	850	925	1545	1400	500	130	200	450	1900	3180	200
1RQ7 458-6JA60-0AA2	5600	850	925	1545	1400	250	130	200	450	1900	2930	200
1RQ7 458-6JA60-0AC2	5600	850	925	1545	1400	500	130	200	450	1900	3180	200
1RQ7 458-6JA60-0CA2	5800	850	925	1545	1400	250	130	200	450	1900	2930	200
1RQ7 458-6JA60-0CC2	5850	850	925	1545	1400	500	130	200	450	1900	3180	200
1RQ7 503-6JA60-0CA2	7000	950	1005	1705	1320	315	160	240	500	2210	3060	250
1RQ7 503-6JA60-0CC2	7050	950	1005	1705	1320	560	170	240	500	2210	3300	250
1RQ7 503-6JA60-0AA2	6800	950	1005	1705	1320	315	160	240	500	2210	3060	250
1RQ7 503-6JA60-0AC2	6850	950	1005	1705	1320	560	170	240	500	2210	3300	250
1RQ7 504-6JA60-0AA2	7050	950	1005	1705	1320	315	160	240	500	2210	3060	250
1RQ7 504-6JA60-0AC2	7100	950	1005	1705	1320	560	170	240	500	2210	3300	250
1RQ7 504-6JA60-0CA2	7250	950	1005	1705	1320	315	160	240	500	2210	3060	250
1RQ7 504-6JA60-0CC2	7300	950	1005	1705	1320	560	170	240	500	2210	3300	250
1RQ7 507-6JA60-0CA2	8000	950	1005	1705	1500	315	160	240	500	2210	3270	250
1RQ7 507-6JA60-0CC2	8050	950	1005	1705	1500	560	170	240	500	2210	3510	250
1RQ7 507-6JA60-0AA2	7750	950	1005	1705	1500	315	160	240	500	2210	3270	250
1RQ7 507-6JA60-0AC2	7750	950	1005	1705	1500	560	170	240	500	2210	3510	250



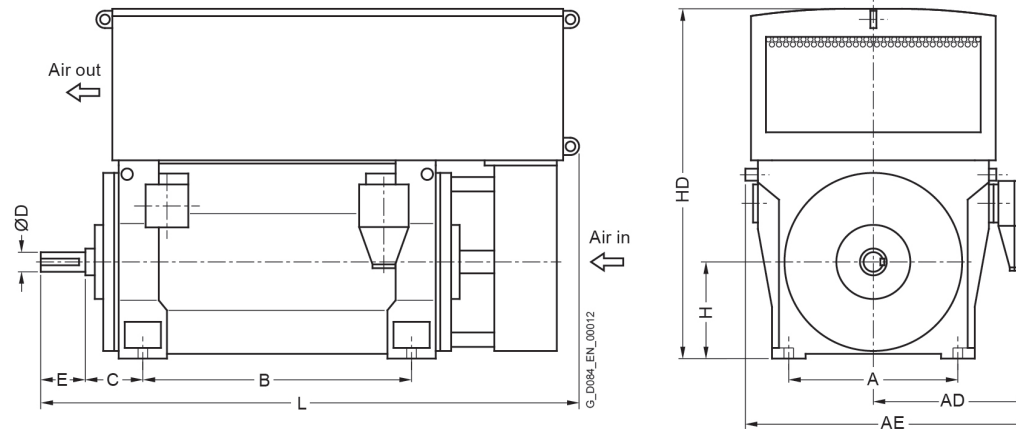
Motor type	Weight	Dimensions												
		A	AD	AE	B	C	D	E	H	HD	L	ML		
	kg	mm	mm	mm	mm	mm	mm	mm	mm	mm	mm	mm	mm	
Innomotics HV M - 1RQ. IC611 6000 V / 50 Hz B3 (IM 1001) - Dimension drawings														
1RQ7 508-6JA60-0CA2	8350	950	1005	1705	1500	315	160	240	500	2210	3270	250		
1RQ7 508-6JA60-0CC2	8400	950	1005	1705	1500	560	170	240	500	2210	3510	250		
1RQ7 508-6JA60-0AA2	8100	950	1005	1705	1500	315	160	240	500	2210	3270	250		
1RQ7 508-6JA60-0AC2	8100	950	1005	1705	1500	560	170	240	500	2210	3510	250		
1RQ7 561-6JA60-0CA2	8600	1060	1290	2060	1400	335	190	280	560	2330	3260	300		
1RQ7 561-6JA60-0CC2	8650	1060	1290	2060	1400	600	190	280	560	2330	3530	300		
1RQ7 562-6JA60-0CA2	8950	1060	1290	2060	1400	335	190	280	560	2330	3260	300		
1RQ7 562-6JA60-0CC2	8950	1060	1290	2060	1400	600	190	280	560	2330	3530	300		
1RQ7 563-6JA60-0CA2	9250	1060	1290	2060	1400	335	190	280	560	2330	3260	300		
1RQ7 563-6JA60-0CC2	9300	1060	1290	2060	1400	600	190	280	560	2330	3530	300		
1RQ7 564-6JA60-0CA2	9600	1060	1290	2060	1400	335	190	280	560	2330	3260	300		
1RQ7 564-6JA60-0CC2	9650	1060	1290	2060	1400	600	190	280	560	2330	3530	300		
1RQ7 567-6JA60-0CA2	10450	1060	1290	2060	1600	335	190	280	560	2330	3490	300		
1RQ7 567-6JA60-0CC2	10500	1060	1290	2060	1600	600	190	280	560	2330	3760	300		
1RQ7 568-6JA60-0CA2	11100	1060	1290	2060	1600	335	190	280	560	2330	3490	300		
1RQ7 568-6JA60-0CC2	11150	1060	1290	2060	1600	600	190	280	560	2330	3760	300		
1RQ8 632-6JA60-0CG0	11550	1320	1520	2520	1600	375	200	280	630	2710	3530	350		
1RQ8 632-6JA60-0CJ0	11650	1320	1520	2520	1600	630	200	280	630	2710	3790	350		
1RQ8 633-6JA60-0CC0	12000	1320	1520	2520	1600	375	200	280	630	2710	3530	350		
1RQ8 633-6JA60-0CJ0	12050	1320	1520	2520	1600	630	200	280	630	2710	3790	350		
1RQ8 634-6JA60-0CG0	12500	1320	1520	2520	1600	375	200	280	630	2710	3530	350		
1RQ8 634-6JA60-0CJ0	12600	1320	1520	2520	1600	630	200	280	630	2710	3790	350		
1RQ8 637-6JA60-0CG0	13350	1320	1520	2520	1800	375	200	280	630	2710	3730	350		



Motor type	Weight	Dimensions										
		A	AD	AE	B	C	D	E	H	HD	L	ML
	kg	mm	mm	mm	mm	mm	mm	mm	mm	mm	mm	mm
Innomotics HV M - 1RQ. IC611 6000 V / 50 Hz B3 (IM 1001) - Dimension drawings												
1RQ8 637-6JA60-0CJ0	13400	1320	1520	2520	1800	630	200	280	630	2710	3990	350
1RQ8 638-6JA60-0CG0	13900	1320	1520	2520	1800	375	200	280	630	2710	3730	350
1RQ8 638-6JA60-0CJ0	13950	1320	1520	2520	1800	630	200	280	630	2710	3990	350
1RQ8 712-6JA60-0CG0	15600	1500	1620	2720	2000	375	220	280	710	3090	3980	400
1RQ8 712-6JA60-0CJ0	15750	1500	1620	2720	2000	630	220	280	710	3090	4230	400
1RQ8 713-6JA60-0CG0	16550	1500	1620	2720	2000	375	220	280	710	3090	3980	400
1RQ8 713-6JA60-0CJ0	16700	1500	1620	2720	2000	630	220	280	710	3090	4230	400
1RQ8 714-6JA60-0CG0	17600	1500	1620	2720	2000	375	220	280	710	3090	3980	400
1RQ8 714-6JA60-0CJ0	17700	1500	1620	2720	2000	630	220	280	710	3090	4230	400
1RQ8 717-6JA60-0CG0	19200	1500	1620	2720	2240	375	220	280	710	3090	4220	400
1RQ8 717-6JA60-0CJ0	19350	1500	1620	2720	2240	630	220	280	710	3090	4470	400
1RQ8 718-6JA60-0CG0	20250	1500	1620	2720	2240	375	220	280	710	3090	4220	400
1RQ8 718-6JA60-0CJ0	20400	1500	1620	2720	2240	630	220	280	710	3090	4470	400
8-pole												
1RQ7 452-8JA60-0AA0	4650	850	925	1545	1180	250	130	200	450	1900	2720	200
1RQ7 452-8JA60-0AC0	4650	850	925	1545	1180	500	130	200	450	1900	2970	200
1RQ7 453-8JA60-0AA0	4850	850	925	1545	1180	250	130	200	450	1900	2720	200
1RQ7 453-8JA60-0AC0	4900	850	925	1545	1180	500	130	200	450	1900	2970	200
1RQ7 454-8JA60-0AA2	5100	850	925	1545	1180	250	130	200	450	1900	2720	200
1RQ7 454-8JA60-0AC2	5100	850	925	1545	1180	500	130	200	450	1900	2970	200
1RQ7 457-8JA60-0AA2	5600	850	925	1545	1400	250	130	200	450	1900	2930	200
1RQ7 457-8JA60-0AC2	5650	850	925	1545	1400	500	130	200	450	1900	3180	200
1RQ7 458-8JA60-0AA2	5850	850	925	1545	1400	250	130	200	450	1900	2930	200



Motor type	Weight	Dimensions										
		A	AD	AE	B	C	D	E	H	HD	L	ML
	kg	mm	mm	mm	mm	mm	mm	mm	mm	mm	mm	mm
Innomotics HV M - 1RQ. IC611 6000 V / 50 Hz B3 (IM 1001) - Dimension drawings												
1RQ7 458-8JA60-0AC2	5900	850	925	1545	1400	500	130	200	450	1900	3180	200
1RQ7 502-8JA60-0AA2	6550	950	1005	1705	1320	315	160	240	500	2210	3060	250
1RQ7 502-8JA60-0AC2	6550	950	1005	1705	1320	560	170	240	500	2210	3300	250
1RQ7 503-8JA60-0AA2	6800	950	1005	1705	1320	315	160	240	500	2210	3060	250
1RQ7 503-8JA60-0AC2	6850	950	1005	1705	1320	560	170	240	500	2210	3300	250
1RQ7 503-8JA60-0CA2	7000	950	1005	1705	1320	315	160	240	500	2210	3060	250
1RQ7 503-8JA60-0CC2	7050	950	1005	1705	1320	560	170	240	500	2210	3300	250
1RQ7 504-8JA60-0AA2	7100	950	1005	1705	1320	315	160	240	500	2210	3060	250
1RQ7 504-8JA60-0AC2	7150	950	1005	1705	1320	560	170	240	500	2210	3300	250
1RQ7 504-8JA60-0CA2	7350	950	1005	1705	1320	315	160	240	500	2210	3060	250
1RQ7 504-8JA60-0CC2	7350	950	1005	1705	1320	560	170	240	500	2210	3300	250
1RQ7 507-8JA60-0AA2	7800	950	1005	1705	1500	315	160	240	500	2210	3270	250
1RQ7 507-8JA60-0AC2	7800	950	1005	1705	1500	560	170	240	500	2210	3510	250
1RQ7 507-8JA60-0CA2	8050	950	1005	1705	1500	315	160	240	500	2210	3270	250
1RQ7 507-8JA60-0CC2	8050	950	1005	1705	1500	560	170	240	500	2210	3510	250
1RQ7 508-8JA60-0AA2	8100	950	1005	1705	1500	315	160	240	500	2210	3270	250
1RQ7 508-8JA60-0AC2	8150	950	1005	1705	1500	560	170	240	500	2210	3510	250
1RQ7 508-8JA60-0CA2	8400	950	1005	1705	1500	315	160	240	500	2210	3270	250
1RQ7 508-8JA60-0CC2	8450	950	1005	1705	1500	560	170	240	500	2210	3510	250
1RQ7 563-8JA60-0CA2	8850	1060	1075	1845	1400	335	190	280	560	2330	3260	300
1RQ7 563-8JA60-0CC2	8900	1060	1075	1845	1400	600	190	280	560	2330	3530	300
1RQ7 564-8JA60-0CA2	9300	1060	1075	1845	1400	335	190	280	560	2330	3260	300
1RQ7 564-8JA60-0CC2	9350	1060	1075	1845	1400	600	190	280	560	2330	3530	300



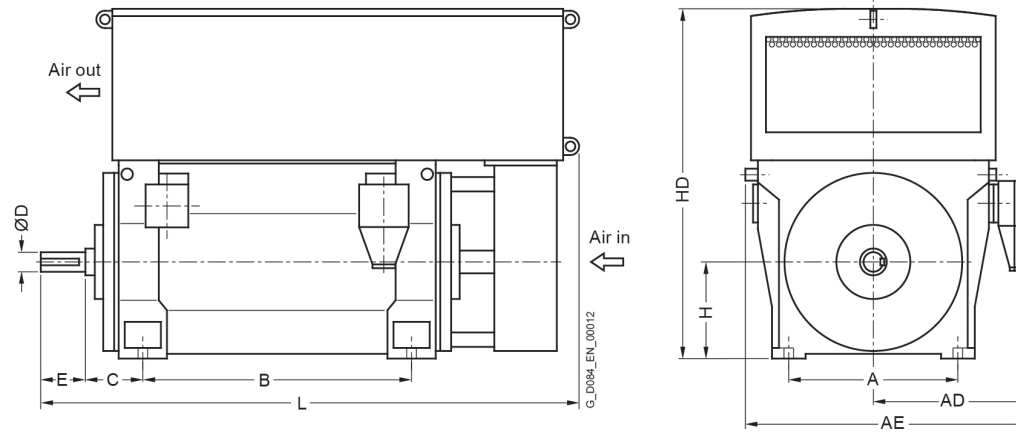
Motor type	Weight	Dimensions										
		A	AD	AE	B	C	D	E	H	HD	L	ML
	kg	mm	mm	mm	mm	mm	mm	mm	mm	mm	mm	mm
Innomotics HV M - 1RQ. IC611 6000 V / 50 Hz B3 (IM 1001) - Dimension drawings												
1RQ7 567-8JA60-0CA2	10200	1060	1075	1845	1600	335	190	280	560	2330	3490	300
1RQ7 567-8JA60-0CC2	10250	1060	1075	1845	1600	600	190	280	560	2330	3760	300
1RQ7 568-8JA60-0CA2	10750	1060	1075	1845	1600	335	190	280	560	2330	3490	300
1RQ7 568-8JA60-0CC2	10800	1060	1075	1845	1600	600	190	280	560	2330	3760	300
1RQ8 633-8JA60-0CG0	10800	1320	1520	2520	1600	375	200	280	630	2570	3530	350
1RQ8 633-8JA60-0CJ0	10850	1320	1520	2520	1600	630	200	280	630	2570	3790	350
1RQ8 634-8JA60-0CG0	11550	1320	1520	2520	1600	375	200	280	630	2570	3530	350
1RQ8 634-8JA60-0CJ0	11600	1320	1520	2520	1600	630	200	280	630	2570	3790	350
1RQ8 637-8JA60-0CG0	12800	1320	1520	2520	1800	375	200	280	630	2570	3730	350
1RQ8 637-8JA60-0CJ0	12850	1320	1520	2520	1800	630	200	280	630	2570	3990	350
1RQ8 638-8JA60-0CG0	13550	1320	1520	2520	1800	375	200	280	630	2570	3730	350
1RQ8 638-8JA60-0CJ0	13600	1320	1520	2520	1800	630	200	280	630	2570	3990	350
1RQ8 712-8JA60-0CG0	15150	1500	1620	2720	2000	375	220	280	710	3090	3980	400
1RQ8 712-8JA60-0CJ0	15350	1500	1620	2720	2000	630	220	280	710	3090	4230	400
1RQ8 713-8JA60-0CG0	15900	1500	1620	2720	2000	375	220	280	710	3090	3980	400
1RQ8 713-8JA60-0CJ0	16050	1500	1620	2720	2000	630	220	280	710	3090	4230	400
1RQ8 714-8JA60-0CG0	17000	1500	1620	2720	2000	375	220	280	710	3090	3980	400
1RQ8 714-8JA60-0CJ0	17200	1500	1620	2720	2000	630	220	280	710	3090	4230	400
1RQ8 717-8JA60-0CG0	18750	1500	1620	2720	2240	375	220	280	710	3090	4220	400
1RQ8 717-8JA60-0CJ0	18950	1500	1620	2720	2240	630	220	280	710	3090	4470	400
1RQ8 718-8JA60-0CG0	19800	1500	1620	2720	2240	375	220	280	710	3090	4220	400
1RQ8 718-8JA60-0CJ0	20000	1500	1620	2720	2240	630	220	280	710	3090	4470	400

Innomotics HV M - 1RQ. IC611 6600 V / 60 Hz B3 (IM 1001)																		
Rated power IEC	Article No.	Speed	Rated current I_R	Efficiency				Power factor				Torque T_R	Breakdown torque T_B/ T_R	Locked rotor torque T_{LR}/ T_R	Locked rotor current I_{LR}/ I_R	Inertia		
				5/4 load	4/4 load	3/4 load	2/4 load	5/4 load	4/4 load	3/4 load	2/4 load					motor	external	Startup max T/TR
kW		rpm	A	%	%	%	%	cos φ	cos φ	cos φ	cos φ	Nm	[-]	[-]	[-]	kgm ²	kgm ²	[-]
2-pole: n_{sync} = 3600 rpm at 60 Hz																		
1600	1RQ7 453-2JA10-0A.0	3578	168	95.5	95.8	95.5	94.3	0.86	0.87	0.84	0.78	4270	2.45	0.50	5.9	10	20	o.r.
1600	1RQ7 453-2JA10-0C.0	3579	164	95.5	95.8	95.4	94.3	0.88	0.89	0.88	0.84	4269	2.50	0.60	5.8	14	95	o.r.
1750	1RQ7 454-2JA10-0A.0	3578	182	95.6	96.0	95.8	94.9	0.87	0.88	0.87	0.83	4671	2.45	0.55	5.9	11	20	o.r.
1740	1RQ7 454-2JA10-0C.0	3579	176	95.6	95.9	95.6	94.5	0.89	0.90	0.89	0.86	4643	2.65	0.65	6.0	15	95	o.r.
1950	1RQ7 457-2JA10-0A.0	3580	200	95.8	96.1	95.8	94.8	0.87	0.88	0.85	0.79	5201	2.65	0.55	6.0	12	25	o.r.
1950	1RQ7 457-2JA10-0C.0	3580	198	95.8	96.1	95.8	94.7	0.89	0.90	0.89	0.86	5201	2.65	0.65	6.0	16	100	o.r.
2100	1RQ7 458-2JA10-0A.0	3580	210	96.0	96.3	96.1	95.2	0.89	0.90	0.88	0.84	5602	2.80	0.65	6.2	13	25	o.r.
2100	1RQ7 458-2JA10-0C.0	3580	210	95.9	96.3	96.1	95.2	0.90	0.91	0.91	0.88	5602	2.80	0.70	6.0	17	105	o.r.
2300	1RQ7 502-2JA10-0C.0	3576	240	95.8	96.0	95.9	95.2	0.87	0.88	0.87	0.82	6142	2.35	0.65	4.6	18	70	o.r.
2500	1RQ7 503-2JA10-0C.0	3579	255	96.1	96.3	96.2	95.4	0.88	0.89	0.88	0.83	6670	2.70	0.70	5.3	20	74	o.r.
2600	1RQ7 504-2JA10-0C.0	3580	265	96.2	96.3	96.2	95.4	0.88	0.89	0.88	0.81	6935	2.80	0.80	5.5	21	76	o.r.
2900	1RQ7 507-2JA10-0C.0	3581	290	96.4	96.6	96.5	95.8	0.90	0.90	0.89	0.85	7733	2.85	0.80	5.8	24	82	o.r.
3100	1RQ7 508-2JA10-0C.0	3582	310	96.6	96.8	96.7	96.1	0.91	0.91	0.91	0.87	8264	2.85	0.65	5.8	27	92	o.r.
3670	1RQ7 562-2JA10-0CC0	3584	375	96.0	96.1	95.7	94.7	0.87	0.89	0.88	0.84	9778	2.45	0.60	5.7	41	175	o.r.
3810	1RQ7 563-2JA10-0CC0	3585	385	96.1	96.2	95.9	94.9	0.89	0.90	0.89	0.86	10149	2.70	0.70	6.1	44	185	o.r.
4580	1RQ7 564-2JA10-0CC0	3584	470	95.9	96.0	95.6	94.5	0.88	0.89	0.88	0.85	12203	2.50	0.60	5.7	47	175	o.r.
4840	1RQ7 567-2JA10-0CC0	3585	490	96.1	96.2	95.8	94.7	0.90	0.90	0.90	0.86	12892	2.80	0.65	6.0	52	185	o.r.
5080	1RQ7 568-2JA10-0CC0	3588	510	96.3	96.3	95.8	94.6	0.90	0.90	0.88	0.84	13520	3.20	0.75	6.8	58	210	o.r.
5650	1RQ8 632-2JA10-0CJ0	3581	580	95.9	96.1	95.5	94.0	0.86	0.89	0.89	0.88	15067	2.00	0.50	4.9	75	150	o.r.
6150	1RQ8 633-2JA10-0CJ0	3581	630	96.1	96.3	95.8	94.4	0.87	0.89	0.90	0.89	16400	2.00	0.50	4.9	82	150	o.r.
6650	1RQ8 634-2JA10-0CJ0	3583	670	96.4	96.5	96.0	94.7	0.88	0.90	0.91	0.90	17723	2.15	0.55	5.2	90	150	o.r.
7400	1RQ8 637-2JA10-0CJ0	3583	740	96.6	96.7	96.2	95.0	0.89	0.91	0.92	0.90	19722	2.30	0.60	5.5	99	150	o.r.
7900	1RQ8 638-2JA10-0CJ0	3586	780	96.8	96.9	96.4	95.1	0.91	0.92	0.92	0.90	21037	2.55	0.65	6.0	107	160	o.r.
8700	1RQ8 712-2JA10-0CJ0	3588	880	96.4	96.3	95.6	94.1	0.88	0.90	0.89	0.87	23155	2.15	0.55	5.2	149	90	o.r.
9150	1RQ8 713-2JA10-0CJ0	3586	920	96.5	96.4	95.9	94.5	0.87	0.90	0.90	0.90	24366	2.00	0.50	4.8	160	80	o.r.
9900	1RQ8 714-2JA10-0CJ0	3588	990	96.7	96.6	96.0	94.7	0.90	0.91	0.91	0.89	26348	2.35	0.60	5.6	173	70	o.r.
10500	1RQ8 716-2JA10-0CJ0	3590	1040	96.8	96.6	95.9	94.4	0.90	0.91	0.89	0.85	27930	2.55	0.60	6.2	184	100	o.r.
11250	1RQ8 717-2JA10-0CJ0	3589	1120	97.0	96.8	96.3	95.0	0.90	0.91	0.91	0.89	29933	2.30	0.50	5.6	199	100	o.r.
4-pole: n_{sync} = 1800 rpm at 60 Hz																		
1600	1RQ7 453-4JA10-0A.0	1783	168	95.2	95.7	95.7	95.1	0.87	0.87	0.84	0.77	8569	2.40	0.65	5.5	17	175	o.r.
1680	1RQ7 453-4JA10-0C.0	1784	176	95.3	95.8	95.9	95.3	0.86	0.87	0.86	0.81	8993	2.20	0.45	5.0	23	285	o.r.
1830	1RQ7 454-4JA10-0C.0	1786	192	95.6	96.0	96.0	95.3	0.86	0.87	0.83	0.75	9785	2.45	0.50	5.3	25	340	o.r.
1710	1RQ7 454-4JA10-0A.0	1783	180	95.4	95.9	95.8	95.2	0.87	0.87	0.84	0.76	9158	2.55	0.70	6.0	19	215	o.r.
2100	1RQ7 457-4JA10-0C.0	1787	215	95.9	96.3	96.3	95.7	0.88	0.89	0.86	0.80	11222	2.60	0.60	5.8	30	425	o.r.
2000	1RQ7 457-4JA10-0A.0	1783	205	95.7	96.2	96.2	95.7	0.88	0.89	0.87	0.81	10711	2.55	0.70	6.0	22	240	o.r.
2250	1RQ7 458-4JA10-0C.0	1788	230	96.1	96.5	96.4	95.8	0.88	0.89	0.85	0.78	12017	2.80	0.65	6.0	32	475	o.r.

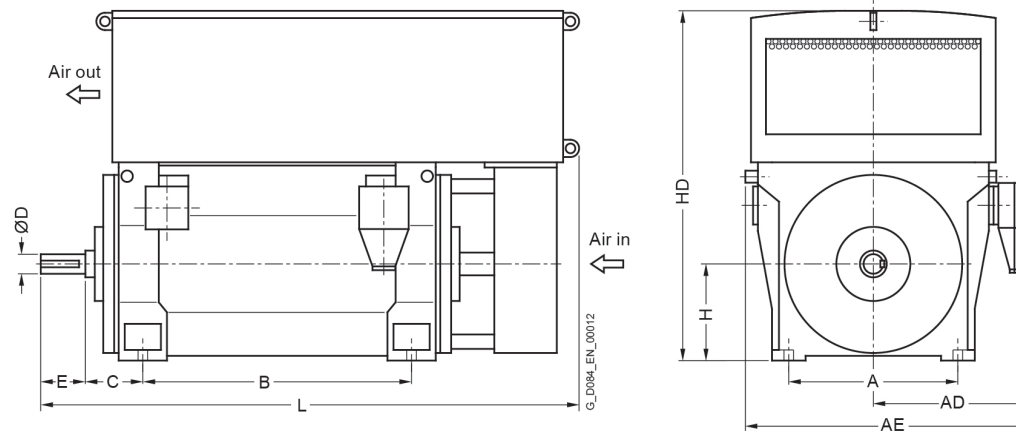
Innomotics HV M - 1RQ. IC611 6600 V / 60 Hz B3 (IM 1001)																		
Rated power IEC	Article No.	Speed	Rated current I_R	Efficiency				Power factor				Torque T_R	Breakdown torque T_B/ T_R	Locked rotor torque T_{LR}/ T_R	Locked rotor current I_{LR}/ I_R	Inertia		
				5/4 load	4/4 load	3/4 load	2/4 load	5/4 load	4/4 load	3/4 load	2/4 load					motor	external	Startup max T/TR
kW		rpm	A	%	%	%	%	cos φ	cos φ	cos φ	cos φ	Nm	[-]	[-]	[-]	kgm ²	kgm ²	[-]
2150	1RQ7 458-4JA10-0A.0	1785	220	95.9	96.3	96.3	95.8	0.88	0.89	0.86	0.80	11502	2.70	0.75	6.0	24	270	o.r.
2600	1RQ7 503-4JA10-0A.0	1786	270	96.1	96.4	96.5	95.8	0.87	0.88	0.86	0.80	13902	2.50	0.75	5.5	37	340	o.r.
2650	1RQ7 503-4JA10-0C.0	1788	270	96.1	96.4	96.5	95.9	0.87	0.89	0.87	0.82	14153	2.45	0.55	5.0	45	355	o.r.
2850	1RQ7 504-4JA10-0A.0	1787	295	96.3	96.5	96.6	95.9	0.88	0.88	0.85	0.79	15230	2.75	0.85	5.9	40	295	o.r.
2900	1RQ7 504-4JA10-0C.0	1789	295	96.4	96.6	96.6	95.9	0.88	0.89	0.86	0.81	15480	2.50	0.55	5.2	50	485	o.r.
3150	1RQ7 507-4JA10-0C.0	1788	315	96.5	96.8	96.8	96.3	0.90	0.90	0.89	0.86	16823	2.55	0.65	5.2	56	405	o.r.
3100	1RQ7 507-4JA10-0A.0	1785	310	96.2	96.7	96.8	96.4	0.88	0.90	0.89	0.87	16584	2.45	0.80	5.3	46	255	o.r.
3350	1RQ7 508-4JA10-0A.0	1786	335	96.4	96.8	96.9	96.5	0.89	0.90	0.89	0.86	17912	2.50	0.80	5.7	50	270	o.r.
3400	1RQ7 508-4JA10-0C.0	1788	340	96.6	96.9	97.0	96.5	0.90	0.90	0.90	0.87	18159	2.45	0.60	5.2	62	545	o.r.
3800	1RQ7 563-4JA10-0C.0	1790	385	96.6	96.9	97.0	96.6	0.88	0.89	0.88	0.85	20272	2.25	0.65	5.4	80	515	o.r.
4100	1RQ7 564-4JA10-0C.0	1789	415	96.7	97.0	97.2	96.9	0.88	0.89	0.90	0.88	21885	2.05	0.55	4.9	90	595	o.r.
4750	1RQ7 566-4JA10-0C.0	1791	475	97.0	97.2	97.3	97.0	0.89	0.90	0.89	0.87	25326	2.30	0.65	5.6	100	625	o.r.
5200	1RQ7 567-4JA10-0C.0	1791	519	97.1	97.3	97.5	97.1	0.89	0.90	0.90	0.87	27725	2.30	0.60	5.5	109	695	o.r.
5700	1RQ7 568-4JA10-0C.0	1791	569	97.2	97.4	97.5	97.2	0.89	0.90	0.89	0.86	30391	2.40	0.65	5.9	119	740	o.r.
6300	1RQ8 633-4JA10-0C.0	1791	640	96.6	96.8	96.5	95.6	0.88	0.89	0.88	0.84	33590	2.45	0.55	5.8	151	380	o.r.
7100	1RQ8 634-4JA10-0C.0	1791	720	96.8	96.9	96.7	95.9	0.88	0.89	0.88	0.84	37856	2.45	0.55	5.8	166	400	o.r.
7500	1RQ8 637-4JA10-0C.0	1792	750	96.9	97.0	96.8	96.1	0.90	0.90	0.90	0.86	39966	2.55	0.65	6.0	182	450	o.r.
8350	1RQ8 638-4JA10-0C.0	1792	830	97.0	97.2	97.0	96.3	0.89	0.90	0.89	0.85	44496	2.55	0.60	6.0	197	500	o.r.
9050	1RQ8 712-4JA10-0C.0	1791	900	97.0	97.2	97.1	96.4	0.89	0.90	0.90	0.87	48253	2.35	0.50	5.7	259	440	o.r.
9600	1RQ8 713-4JA10-0C.0	1792	950	97.1	97.3	97.2	96.5	0.89	0.91	0.90	0.88	51157	2.50	0.55	6.0	284	500	o.r.
10400	1RQ8 714-4JA10-0C.0	1792	1020	97.3	97.4	97.3	96.6	0.90	0.91	0.91	0.88	55420	2.60	0.55	6.0	312	550	o.r.
11550	1RQ8 717-4JA10-0C.0	1792	1140	97.3	97.5	97.4	96.8	0.90	0.91	0.91	0.89	61548	2.60	0.55	6.0	346	580	o.r.
11950	1RQ8 718-4JA10-0C.0	1793	1200	97.4	97.5	97.4	96.7	0.89	0.90	0.89	0.86	63644	2.60	0.50	6.0	361	700	o.r.
6-pole: n_{sync} = 1200 rpm at 60 Hz																		
1220	1RQ7 452-6JA10-0A.0	1189	136	94.9	95.5	95.5	95.0	0.82	0.82	0.75	0.63	9798	2.40	0.80	5.5	20	530	o.r.
1350	1RQ7 453-6JA10-0A.0	1189	148	95.2	95.7	95.8	95.3	0.83	0.83	0.77	0.65	10842	2.40	0.80	5.5	22	610	o.r.
1370	1RQ7 453-6JA10-0C.0	1189	148	95.2	95.7	95.9	95.5	0.84	0.85	0.82	0.74	11003	2.35	0.65	5.3	30	850	o.r.
1420	1RQ7 454-6JA10-0A.0	1189	152	95.2	95.8	96.0	95.7	0.84	0.85	0.82	0.75	11405	2.25	0.80	5.5	24	620	o.r.
1500	1RQ7 454-6JA10-0C.0	1189	162	95.2	95.8	96.0	95.6	0.85	0.85	0.82	0.75	12047	2.35	0.65	5.3	33	880	o.r.
1600	1RQ7 457-6JA10-0A.0	1190	172	95.4	96.0	96.1	95.7	0.84	0.85	0.80	0.70	12839	2.45	0.80	5.5	28	815	o.r.
1620	1RQ7 457-6JA10-0C.0	1190	172	95.4	96.0	96.1	95.8	0.85	0.86	0.83	0.76	13000	2.40	0.65	5.3	36	1030	o.r.
1750	1RQ7 458-6JA10-0A.0	1190	188	95.7	96.2	96.3	96.0	0.85	0.85	0.81	0.73	14043	2.45	0.85	5.7	31	925	o.r.
1760	1RQ7 458-6JA10-0C.0	1191	186	95.7	96.2	96.3	95.9	0.86	0.86	0.83	0.75	14111	2.60	0.75	5.5	41	1120	o.r.
1950	1RQ7 502-6JA10-0A.0	1191	215	95.7	96.1	96.2	95.8	0.83	0.83	0.79	0.70	15635	2.45	0.90	5.1	42	1180	o.r.
2000	1RQ7 502-6JA10-0C.0	1192	210	95.8	96.2	96.4	96.0	0.84	0.86	0.83	0.76	16022	2.30	0.70	4.7	54	1250	o.r.
2170	1RQ7 503-6JA10-0A.0	1191	240	95.8	96.2	96.4	95.9	0.83	0.83	0.79	0.70	17399	2.50	0.95	5.2	46	1300	o.r.
2240	1RQ7 503-6JA10-0C.0	1192	235	95.9	96.3	96.5	96.1	0.84	0.86	0.83	0.76	17945	2.35	0.70	4.7	60	1370	o.r.

Innomotics HV M - 1RQ. IC611 6600 V / 60 Hz B3 (IM 1001)																		
Rated power IEC	Article No.	Speed	Rated current I_R	Efficiency				Power factor				Torque T_R	Breakdown torque T_B/ T_R	Locked rotor torque T_{LR}/ T_R	Locked rotor current I_{LR}/ I_R	Inertia		
				5/4 load	4/4 load	3/4 load	2/4 load	5/4 load	4/4 load	3/4 load	2/4 load					motor	external	Startup max T/TR
kW		rpm	A	%	%	%	%	cos φ	cos φ	cos φ	cos φ	Nm	[-]	[-]	[-]	kgm ²	kgm ²	[-]
2320	1RQ7 504-6JA10-0A.0	1192	255	96.1	96.3	96.4	95.9	0.82	0.82	0.76	0.65	18586	2.75	1.05	5.6	51	1430	o.r.
2420	1RQ7 504-6JA10-0C.0	1193	260	96.2	96.5	96.6	96.1	0.84	0.84	0.81	0.73	19371	2.55	0.80	5.1	66	1500	o.r.
2540	1RQ7 507-6JA10-0A.0	1192	275	96.2	96.5	96.6	96.1	0.83	0.83	0.77	0.67	20348	2.75	1.00	5.8	58	1600	o.r.
2640	1RQ7 507-6JA10-0C.0	1193	285	96.3	96.6	96.7	96.3	0.84	0.84	0.82	0.73	21132	2.50	0.75	5.1	74	1650	o.r.
2750	1RQ7 508-6JA10-0A.0	1191	290	96.2	96.6	96.8	96.5	0.85	0.86	0.84	0.77	22049	2.45	0.95	5.4	63	1780	o.r.
3000	1RQ7 561-6JA10-0C.0	1193	315	96.1	96.5	96.6	96.1	0.85	0.86	0.84	0.78	24013	2.40	0.65	5.4	96	990	o.r.
3550	1RQ7 563-6JA10-0C.0	1193	375	96.4	96.8	96.8	96.4	0.85	0.86	0.84	0.78	28416	2.50	0.65	5.6	112	1230	o.r.
4000	1RQ7 567-6JA10-0C.0	1193	415	96.6	97.0	97.0	96.6	0.86	0.87	0.85	0.81	32018	2.60	0.70	5.8	134	1650	o.r.
4500	1RQ7 568-6JA10-0C.0	1194	465	96.8	97.1	97.2	96.8	0.87	0.87	0.85	0.80	35990	2.65	0.70	5.9	150	1880	o.r.
4900	1RQ8 632-6JA10-0C.0	1193	520	96.4	96.6	96.4	95.5	0.85	0.86	0.81	0.73	39222	2.50	0.55	5.5	193	1280	o.r.
5300	1RQ8 633-6JA10-0C.0	1193	560	96.5	96.7	96.6	95.8	0.85	0.86	0.82	0.74	42424	2.45	0.55	5.5	209	1360	o.r.
5700	1RQ8 634-6JA10-0C.0	1193	590	96.6	96.8	96.7	95.9	0.86	0.87	0.83	0.76	45625	2.45	0.55	5.5	227	1850	o.r.
6200	1RQ8 637-6JA10-0C.0	1193	640	96.7	96.9	96.8	96.1	0.86	0.87	0.84	0.77	49628	2.45	0.55	5.5	247	1650	o.r.
6450	1RQ8 638-6JA10-0C.0	1193	670	96.8	97.0	96.8	96.1	0.86	0.87	0.83	0.76	51629	2.50	0.55	5.5	264	1880	o.r.
7350	1RQ8 712-6JA10-0C.0	1194	760	97.0	97.2	97.1	96.5	0.86	0.87	0.84	0.78	58783	2.40	0.55	5.5	331	1470	o.r.
8100	1RQ8 713-6JA10-0C.0	1194	840	97.1	97.3	97.3	96.8	0.86	0.87	0.86	0.81	64782	2.25	0.50	5.5	374	1670	o.r.
8700	1RQ8 714-6JA10-0C.0	1194	890	97.1	97.4	97.4	96.9	0.87	0.88	0.87	0.82	69580	2.30	0.50	5.5	424	1980	o.r.
9650	1RQ8 717-6JA10-0C.0	1194	980	97.3	97.5	97.5	97.0	0.87	0.88	0.87	0.82	77178	2.40	0.55	5.5	478	2300	o.r.
10000	1RQ8 718-6JA10-0C.0	1195	1040	97.4	97.5	97.5	96.9	0.87	0.87	0.85	0.78	79910	2.50	0.50	5.5	520	2930	o.r.
8-pole: n_{sync} = 900 rpm at 60 Hz																		
960	1RQ7 452-8JA10-0A.0	889	108	94.2	95.2	95.5	95.2	0.79	0.81	0.77	0.68	10312	1.80	0.55	4.5	25	1150	o.r.
990	1RQ7 452-8JA10-0C.0	889	110	94.2	95.2	95.5	95.2	0.81	0.82	0.79	0.70	10634	1.95	0.45	4.5	32	1690	o.r.
1050	1RQ7 453-8JA10-0A.0	890	118	94.5	95.4	95.5	95.1	0.80	0.81	0.76	0.65	11266	1.90	0.60	4.5	28	1310	o.r.
1060	1RQ7 453-8JA10-0C.0	891	118	94.6	95.4	95.6	95.1	0.81	0.82	0.78	0.67	11361	2.10	0.50	5.0	36	1870	o.r.
1100	1RQ7 454-8JA10-0A.0	890	124	94.5	95.4	95.7	95.3	0.80	0.81	0.78	0.68	11803	1.90	0.60	4.5	31	1350	o.r.
1120	1RQ7 454-8JA10-0C.0	891	126	94.7	95.5	95.7	95.3	0.82	0.82	0.79	0.70	12004	2.10	0.50	5.0	40	1860	o.r.
1220	1RQ7 457-8JA10-0A.0	891	140	95.0	95.6	95.6	95.1	0.81	0.80	0.74	0.62	13075	2.20	0.65	5.0	35	1930	o.r.
1240	1RQ7 457-8JA10-0C.0	892	138	95.1	95.7	95.7	95.1	0.82	0.82	0.76	0.65	13275	2.45	0.60	5.5	45	2400	o.r.
1300	1RQ7 458-8JA10-0A.0	892	148	95.1	95.7	95.7	95.2	0.81	0.80	0.75	0.62	13917	2.35	0.70	5.5	39	2200	o.r.
1330	1RQ7 458-8JA10-0C.0	892	148	95.2	95.8	95.8	95.2	0.82	0.82	0.77	0.65	14238	2.54	0.60	5.5	50	2450	o.r.
1400	1RQ7 502-8JA10-0A.0	894	164	95.7	96.0	96.2	95.8	0.80	0.78	0.76	0.65	14954	2.40	0.80	4.6	46	2160	o.r.
1600	1RQ7 503-8JA10-0A.0	893	180	95.7	96.3	96.4	96.1	0.81	0.81	0.78	0.68	17110	2.20	0.75	4.4	51	2290	o.r.
1750	1RQ7 503-8JA10-0C.0	893	194	95.7	96.2	96.4	96.1	0.81	0.82	0.78	0.69	18714	2.25	0.60	4.2	65	2340	o.r.
1900	1RQ7 504-8JA10-0C.0	893	210	95.9	96.3	96.5	96.2	0.82	0.82	0.79	0.70	20318	2.30	0.60	4.3	72	2810	o.r.
1800	1RQ7 504-8JA10-0A.0	893	200	95.9	96.4	96.6	96.3	0.81	0.82	0.79	0.70	19248	2.15	0.75	4.4	56	2420	o.r.
2000	1RQ7 507-8JA10-0A.0	894	225	96.0	96.4	96.5	96.1	0.81	0.81	0.76	0.65	21363	2.40	0.85	4.7	63	2730	o.r.
2100	1RQ7 507-8JA10-0C.0	893	230	96.0	96.4	96.6	96.3	0.82	0.83	0.79	0.70	22456	2.35	0.65	4.4	80	3120	o.r.

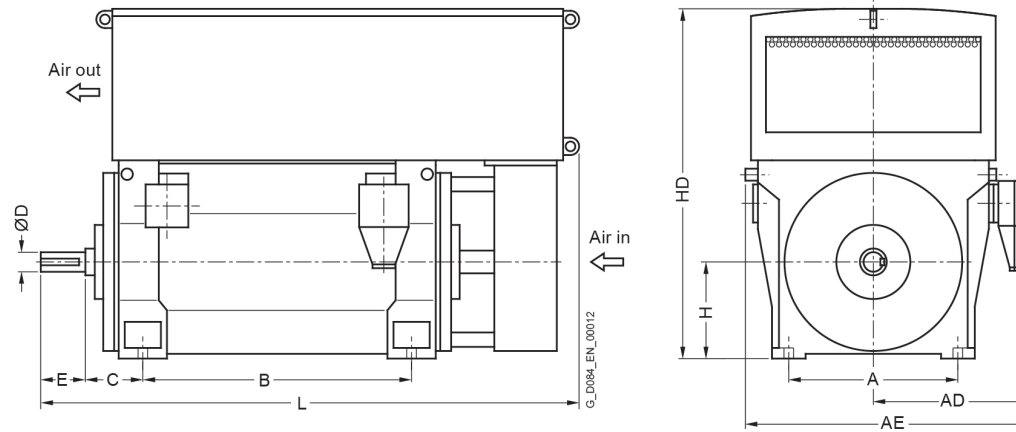
Innomotics HV M - 1RQ. IC611 6600 V / 60 Hz B3 (IM 1001)																		
Rated power IEC	Article No.	Speed	Rated current I_R	Efficiency				Power factor				Torque T_R	Breakdown torque T_B/ T_R	Locked rotor torque T_{LR}/ T_R	Locked rotor current I_{LR}/ I_R	Inertia		
				5/4 load	4/4 load	3/4 load	2/4 load	5/4 load	4/4 load	3/4 load	2/4 load					motor	external	Startup max T/TR
kW		rpm	A	%	%	%	%	$\cos \varphi$	$\cos \varphi$	$\cos \varphi$	$\cos \varphi$	Nm	[-]	[-]	[-]	kgm ²	kgm ²	[-]
2200	1RQ7 508-8JA10-0C.0	894	245	96.2	96.5	96.6	96.2	0.82	0.82	0.77	0.67	23499	2.60	0.70	4.8	88	3500	o.r.
2200	1RQ7 508-8JA10-0A.0	893	245	96.1	96.5	96.7	96.4	0.81	0.82	0.78	0.68	23526	2.30	0.85	4.6	69	2940	o.r.
2500	1RQ7 563-8JA10-0C.0	894	275	96.0	96.4	96.7	96.4	0.82	0.82	0.81	0.74	26704	2.05	0.55	4.6	124	2170	o.r.
2700	1RQ7 564-8JA10-0C.0	894	300	96.2	96.5	96.8	96.4	0.83	0.82	0.80	0.73	28840	2.20	0.60	4.9	137	2485	o.r.
3050	1RQ7 567-8JA10-0C.0	894	335	96.4	96.5	97.0	96.6	0.82	0.83	0.81	0.74	32579	2.15	0.55	4.8	150	3750	o.r.
3300	1RQ7 568-8JA10-0C.0	895	365	96.7	96.6	97.0	96.5	0.83	0.82	0.78	0.70	35210	2.50	0.65	5.5	165	4470	o.r.
4100	1RQ8 634-8JA10-0C.0	892	435	95.8	96.3	96.3	95.8	0.84	0.86	0.84	0.78	43893	1.90	0.40	4.2	251	3100	o.r.
4550	1RQ8 637-8JA10-0C.0	893	480	96.1	96.5	96.5	96.0	0.85	0.86	0.84	0.78	48655	2.05	0.40	4.5	292	3820	o.r.
4800	1RQ8 638-8JA10-0C.0	893	500	96.3	96.7	96.6	96.1	0.86	0.87	0.84	0.78	51329	2.10	0.45	4.7	326	4470	o.r.
5150	1RQ8 712-8JA10-0C.0	895	530	96.6	96.9	96.7	96.1	0.87	0.87	0.83	0.75	54948	2.45	0.55	5.3	422	3770	o.r.
5500	1RQ8 713-8JA10-0C.0	895	570	96.7	96.9	96.8	96.1	0.87	0.87	0.83	0.74	58683	2.55	0.60	5.5	472	4490	o.r.
6300	1RQ8 714-8JA10-0C.0	895	650	96.8	97.1	97.0	96.4	0.87	0.87	0.84	0.77	67219	2.40	0.50	5.2	541	4910	o.r.
6900	1RQ8 717-8JA10-0C.0	895	710	96.9	97.2	97.2	96.8	0.87	0.88	0.86	0.80	73620	2.35	0.50	5.2	620	5650	o.r.
7450	1RQ8 718-8JA10-0C.0	895	750	97.0	97.3	97.3	96.9	0.88	0.89	0.86	0.81	79489	2.35	0.50	5.2	684	6240	o.r.



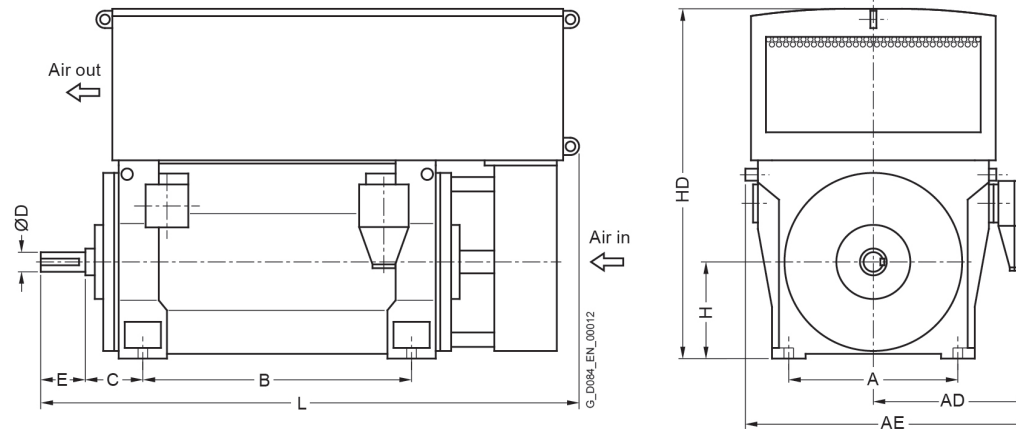
Motor type	Weight	Dimensions										
		A	AD	AE	B	C	D	E	H	HD	L	ML
	kg	mm	mm	mm	mm	mm	mm	mm	mm	mm	mm	mm
Innomotics HV M - 1RQ. IC611 6600 V / 60 Hz B3 (IM 1001) - Dimension drawings												
2-pole												
1RQ7 453-2JA10-0AA0	4650	850	925	1545	1180	250	95	130	450	1900	2650	200
1RQ7 453-2JA10-0AC0	4500	850	925	1545	1180	475	95	130	450	1900	2880	200
1RQ7 453-2JA10-0CA0	4750	850	925	1545	1180	250	95	130	450	1900	2650	200
1RQ7 453-2JA10-0CC0	4650	850	925	1545	1180	475	95	130	450	1900	2880	200
1RQ7 454-2JA10-0AA0	4750	850	925	1545	1180	250	95	130	450	1900	2650	200
1RQ7 454-2JA10-0AC0	4650	850	925	1545	1180	475	95	130	450	1900	2880	200
1RQ7 454-2JA10-0CA0	4850	850	925	1545	1180	250	95	130	450	1900	2650	200
1RQ7 454-2JA10-0CC0	4750	850	925	1545	1180	475	95	130	450	1900	2880	200
1RQ7 457-2JA10-0AA0	5200	850	925	1545	1400	250	95	130	450	1900	2860	200
1RQ7 457-2JA10-0AC0	5050	850	925	1545	1400	475	95	130	450	1900	3090	200
1RQ7 457-2JA10-0CA0	5350	850	925	1545	1400	250	95	130	450	1900	2860	200
1RQ7 457-2JA10-0CC0	5250	850	925	1545	1400	475	95	130	450	1900	3090	200
1RQ7 458-2JA10-0AA0	5350	850	925	1545	1400	250	95	130	450	1900	2860	200
1RQ7 458-2JA10-0AC0	5250	850	925	1545	1400	475	95	130	450	1900	3090	200
1RQ7 458-2JA10-0CA0	5500	850	925	1545	1400	250	95	130	450	1900	2860	200
1RQ7 458-2JA10-0CC0	5400	850	925	1545	1400	475	95	130	450	1900	3090	200
1RQ7 502-2JA10-0CA0	6250	950	1005	1705	1320	250	110	165	500	2210	2920	250
1RQ7 502-2JA10-0CC0	6150	950	1005	1705	1320	530	120	165	500	2210	3200	250
1RQ7 503-2JA10-0CA0	6500	950	1005	1705	1320	250	110	165	500	2210	2920	250
1RQ7 503-2JA10-0CC0	6450	950	1005	1705	1320	530	120	165	500	2210	3200	250
1RQ7 504-2JA10-0CA0	6650	950	1005	1705	1320	250	110	165	500	2210	2920	250
1RQ7 504-2JA10-0CC0	6550	950	1005	1705	1320	530	120	165	500	2210	3200	250



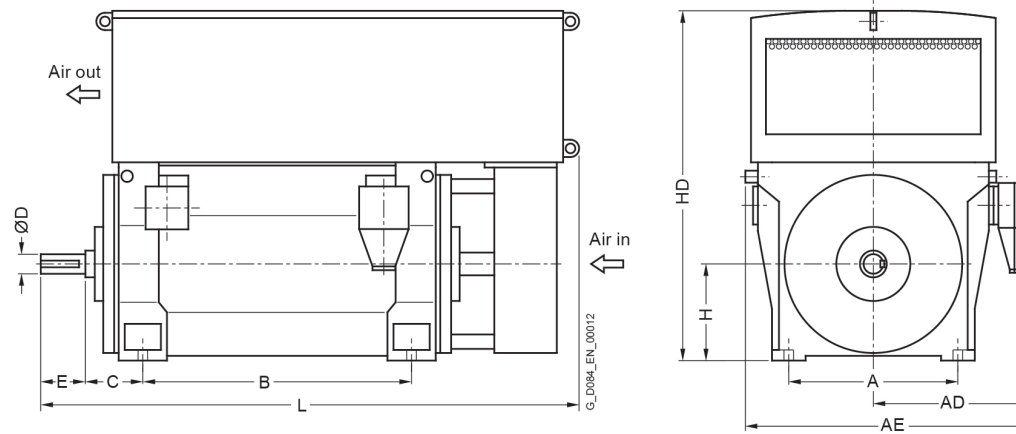
Motor type	Weight	Dimensions										
		A	AD	AE	B	C	D	E	H	HD	L	ML
	kg	mm	mm	mm	mm	mm	mm	mm	mm	mm	mm	mm
Innomotics HV M - 1RQ. IC611 6600 V / 60 Hz B3 (IM 1001) - Dimension drawings												
1RQ7 507-2JA10-0CA0	7300	950	1005	1705	1500	250	110	165	500	2210	3130	250
1RQ7 507-2JA10-0CC0	7200	950	1005	1705	1500	530	120	165	500	2210	3410	250
1RQ7 508-2JA10-0CA0	7600	950	1005	1705	1500	250	110	165	500	2210	3130	250
1RQ7 508-2JA10-0CC0	7550	950	1005	1705	1500	530	120	165	500	2210	3410	250
1RQ7 562-2JA10-0CC0	8350	1060	1290	2060	1400	600	150	200	560	2330	3450	300
1RQ7 563-2JA10-0CC0	8550	1060	1290	2060	1400	600	150	200	560	2330	3450	300
1RQ7 564-2JA10-0CC0	8850	1060	1290	2060	1400	600	150	200	560	2330	3450	300
1RQ7 567-2JA10-0CC0	9700	1060	1290	2060	1600	600	150	200	560	2330	3680	300
1RQ7 568-2JA10-0CC0	10300	1060	1290	2060	1600	600	150	200	560	2330	3680	300
1RQ8 632-2JA10-0CJ0	10350	1320	1520	2520	1600	560	160	240	630	2710	3680	350
1RQ8 633-2JA10-0CJ0	10850	1320	1520	2520	1600	560	160	240	630	2710	3680	350
1RQ8 634-2JA10-0CJ0	11350	1320	1520	2520	1600	560	160	240	630	2710	3680	350
1RQ8 637-2JA10-0CJ0	12250	1320	1520	2520	1800	560	160	240	630	2710	3880	350
1RQ8 638-2JA10-0CJ0	12900	1320	1520	2520	1800	560	160	240	630	2710	3880	350
1RQ8 712-2JA10-0CJ0	14750	1500	1620	2720	2000	560	180	240	710	3090	4400	400
1RQ8 713-2JA10-0CJ0	15350	1500	1620	2720	2000	560	180	240	710	3090	4400	400
1RQ8 714-2JA10-0CJ0	16100	1500	1620	2720	2000	560	180	240	710	3090	4400	400
1RQ8 716-2JA10-0CJ0	17250	1500	1620	2720	2240	560	180	240	710	3090	4640	400
1RQ8 717-2JA10-0CJ0	18050	1500	1620	2720	2240	560	180	240	710	3090	4640	400
4-pole												
1RQ7 453-4JA10-0AA0	4600	850	925	1545	1180	250	130	200	450	1900	2720	200
1RQ7 453-4JA10-0AC0	4650	850	925	1545	1180	500	130	200	450	1900	2970	200
1RQ7 453-4JA10-0CA0	4750	850	925	1545	1180	250	130	200	450	1900	2720	200



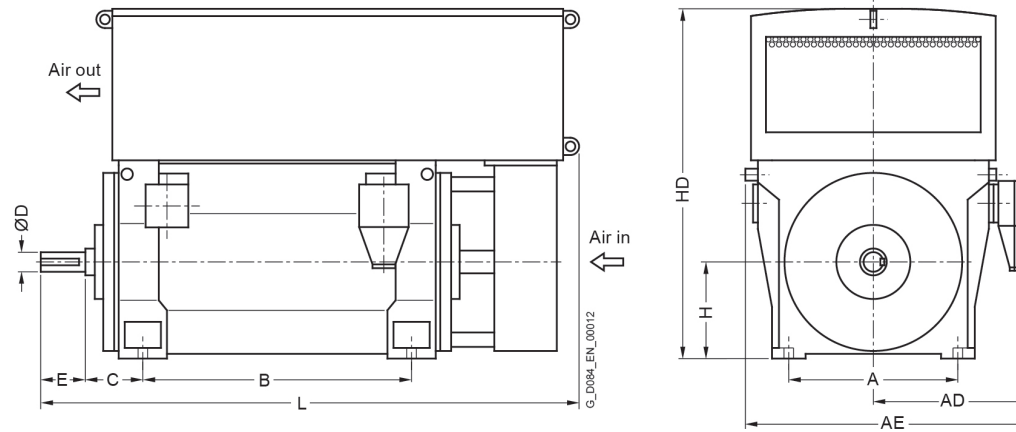
Motor type	Weight	Dimensions												
		A	AD	AE	B	C	D	E	H	HD	L	ML		
	kg	mm	mm	mm	mm	mm	mm	mm	mm	mm	mm	mm	mm	
Innomotics HV M - 1RQ. IC611 6600 V / 60 Hz B3 (IM 1001) - Dimension drawings														
1RQ7 453-4JA10-0CC0	4750	850	925	1545	1180	500	130	200	450	1900	2970	200		
1RQ7 454-4JA10-0CA0	4950	850	925	1545	1180	250	130	200	450	1900	2720	200		
1RQ7 454-4JA10-0CC0	5000	850	925	1545	1180	500	130	200	450	1900	2970	200		
1RQ7 454-4JA10-0AA0	4800	850	925	1545	1180	250	130	200	450	1900	2720	200		
1RQ7 454-4JA10-0AC0	4800	850	925	1545	1180	500	130	200	450	1900	2970	200		
1RQ7 457-4JA10-0CA0	5600	850	925	1545	1400	250	130	200	450	1900	2930	200		
1RQ7 457-4JA10-0CC0	5600	850	925	1545	1400	500	130	200	450	1900	3180	200		
1RQ7 457-4JA10-0AA0	5450	850	925	1545	1400	250	130	200	450	1900	2930	200		
1RQ7 457-4JA10-0AC0	5450	850	925	1545	1400	500	130	200	450	1900	3180	200		
1RQ7 458-4JA10-0CA0	5800	850	925	1545	1400	250	130	200	450	1900	2930	200		
1RQ7 458-4JA10-0CC0	5800	850	925	1545	1400	500	130	200	450	1900	3180	200		
1RQ7 458-4JA10-0AA0	5650	850	925	1545	1400	250	130	200	450	1900	2930	200		
1RQ7 458-4JA10-0AC0	5650	850	925	1545	1400	500	130	200	450	1900	3180	200		
1RQ7 503-4JA10-0AA0	6700	950	1005	1705	1320	315	160	240	500	2210	3060	250		
1RQ7 503-4JA10-0AC0	6750	950	1005	1705	1320	560	170	240	500	2210	3300	250		
1RQ7 503-4JA10-0CA0	6850	950	1005	1705	1320	315	160	240	500	2210	3060	250		
1RQ7 503-4JA10-0CC0	6900	950	1005	1705	1320	560	170	240	500	2210	3300	250		
1RQ7 504-4JA10-0AA0	6950	950	1005	1705	1320	315	160	240	500	2210	3060	250		
1RQ7 504-4JA10-0AC0	7000	950	1005	1705	1320	560	170	240	500	2210	3300	250		
1RQ7 504-4JA10-0CA0	7100	950	1005	1705	1320	315	160	240	500	2210	3060	250		
1RQ7 504-4JA10-0CC0	7200	950	1005	1705	1320	560	170	240	500	2210	3300	250		
1RQ7 507-4JA10-0CA0	7800	950	1005	1705	1500	315	160	240	500	2210	3270	250		
1RQ7 507-4JA10-0CC0	7850	950	1005	1705	1500	560	170	240	500	2210	3510	250		



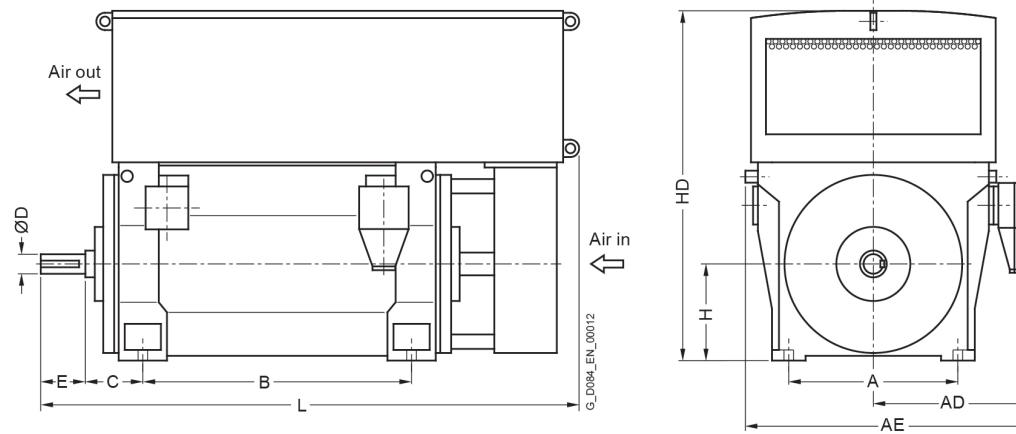
Motor type	Weight	Dimensions										
		A	AD	AE	B	C	D	E	H	HD	L	ML
	kg	mm	mm	mm	mm	mm	mm	mm	mm	mm	mm	mm
Innomotics HV M - 1RQ. IC611 6600 V / 60 Hz B3 (IM 1001) - Dimension drawings												
1RQ7 507-4JA10-0AA0	7650	950	1005	1705	1500	315	160	240	500	2210	3270	250
1RQ7 507-4JA10-0AC0	7700	950	1005	1705	1500	560	170	240	500	2210	3510	250
1RQ7 508-4JA10-0AA0	8000	950	1005	1705	1500	315	160	240	500	2210	3270	250
1RQ7 508-4JA10-0AC0	8050	950	1005	1705	1500	560	170	240	500	2210	3510	250
1RQ7 508-4JA10-0CA0	8150	950	1005	1705	1500	315	160	240	500	2210	3270	250
1RQ7 508-4JA10-0CC0	8200	950	1005	1705	1500	560	170	240	500	2210	3510	250
1RQ7 563-4JA10-0CA0	8600	1060	1290	2060	1400	335	190	280	560	2330	3260	300
1RQ7 563-4JA10-0CC0	8650	1060	1290	2060	1400	600	190	280	560	2330	3530	300
1RQ7 564-4JA10-0CA0	9100	1060	1290	2060	1400	335	190	280	560	2330	3260	300
1RQ7 564-4JA10-0CC0	9150	1060	1290	2060	1400	600	190	280	560	2330	3530	300
1RQ7 566-4JA10-0CA0	10000	1060	1290	2060	1600	335	190	280	560	2330	3490	300
1RQ7 566-4JA10-0CC0	10050	1060	1290	2060	1600	600	190	280	560	2330	3760	300
1RQ7 567-4JA10-0CA0	10500	1060	1290	2060	1600	335	190	280	560	2330	3490	300
1RQ7 567-4JA10-0CC0	10500	1060	1290	2060	1600	600	190	280	560	2330	3760	300
1RQ7 568-4JA10-0CA0	10950	1060	1290	2060	1600	335	190	280	560	2330	3490	300
1RQ7 568-4JA10-0CC0	10950	1060	1290	2060	1600	600	190	280	560	2330	3760	300
1RQ8 633-4JA10-0CG0	11400	1320	1520	2520	1600	375	200	280	630	2710	3530	350
1RQ8 633-4JA10-0CJ0	11500	1320	1520	2520	1600	630	200	280	630	2710	3790	350
1RQ8 634-4JA10-0CG0	12000	1320	1520	2520	1600	375	200	280	630	2710	3530	350
1RQ8 634-4JA10-0CJ0	12100	1320	1520	2520	1600	630	200	280	630	2710	3790	350
1RQ8 637-4JA10-0CG0	12800	1320	1520	2520	1800	375	200	280	630	2710	3730	350
1RQ8 637-4JA10-0CJ0	12950	1320	1520	2520	1800	630	200	280	630	2710	3990	350
1RQ8 638-4JA10-0CG0	13500	1320	1520	2520	1800	375	200	280	630	2710	3730	350



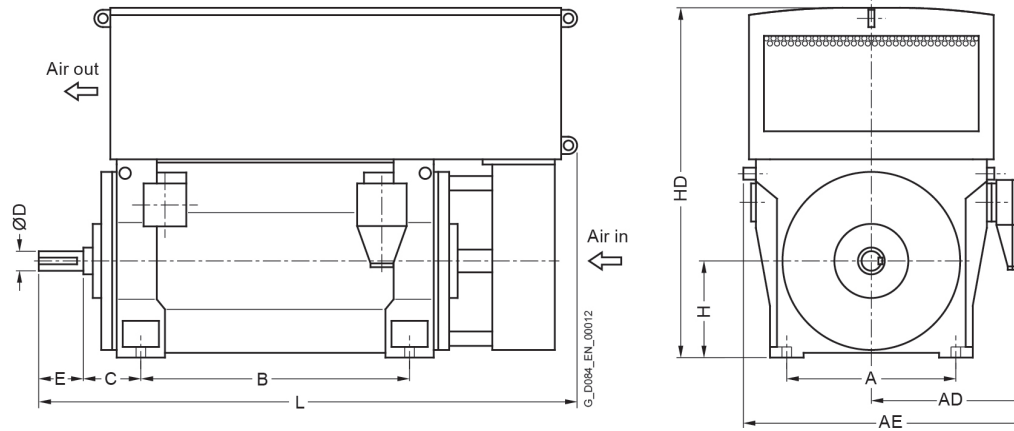
Motor type	Weight	Dimensions										
		A	AD	AE	B	C	D	E	H	HD	L	ML
	kg	mm	mm	mm	mm	mm	mm	mm	mm	mm	mm	mm
Innomotics HV M - 1RQ. IC611 6600 V / 60 Hz B3 (IM 1001) - Dimension drawings												
1RQ8 638-4JA10-0CJ0	13650	1320	1520	2520	1800	630	200	280	630	2710	3990	350
1RQ8 712-4JA10-0CG0	15650	1500	1620	2720	2000	375	220	280	710	3090	3980	400
1RQ8 712-4JA10-0CJ0	15800	1500	1620	2720	2000	630	220	280	710	3090	4230	400
1RQ8 713-4JA10-0CG0	16350	1500	1620	2720	2000	375	220	280	710	3090	3980	400
1RQ8 713-4JA10-0CJ0	16450	1500	1620	2720	2000	630	220	280	710	3090	4230	400
1RQ8 714-4JA10-0CG0	17150	1500	1620	2720	2000	375	220	280	710	3090	3980	400
1RQ8 714-4JA10-0CJ0	17300	1500	1620	2720	2000	630	220	280	710	3090	4230	400
1RQ8 717-4JA10-0CG0	18500	1500	1620	2720	2240	375	220	280	710	3090	4220	400
1RQ8 717-4JA10-0CJ0	18600	1500	1620	2720	2240	630	220	280	710	3090	4470	400
1RQ8 718-4JA10-0CG0	19050	1500	1620	2720	2240	375	220	280	710	3090	4220	400
1RQ8 718-4JA10-0CJ0	19150	1500	1620	2720	2240	630	220	280	710	3090	4470	400
6-pole												
1RQ7 452-6JA10-0AA0	4500	850	925	1545	1180	250	130	200	450	1900	2720	200
1RQ7 452-6JA10-0AC0	4500	850	925	1545	1180	500	130	200	450	1900	2970	200
1RQ7 453-6JA10-0AA0	4700	850	925	1545	1180	250	130	200	450	1900	2720	200
1RQ7 453-6JA10-0AC0	4700	850	925	1545	1180	500	130	200	450	1900	2970	200
1RQ7 453-6JA10-0CA0	4850	850	925	1545	1180	250	130	200	450	1900	2720	200
1RQ7 453-6JA10-0CC0	4850	850	925	1545	1180	500	130	200	450	1900	2970	200
1RQ7 454-6JA10-0AA0	4850	850	925	1545	1180	250	130	200	450	1900	2720	200
1RQ7 454-6JA10-0AC0	4850	850	925	1545	1180	500	130	200	450	1900	2970	200
1RQ7 454-6JA10-0CA0	5000	850	925	1545	1180	250	130	200	450	1900	2720	200
1RQ7 454-6JA10-0CC0	5050	850	925	1545	1180	500	130	200	450	1900	2970	200
1RQ7 457-6JA10-0AA0	5350	850	925	1545	1400	250	130	200	450	1900	2930	200



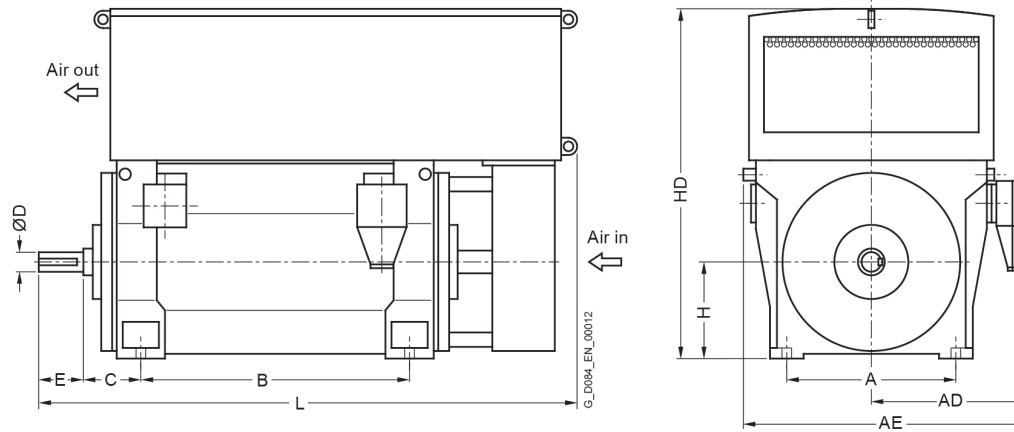
Motor type	Weight	Dimensions										
		A	AD	AE	B	C	D	E	H	HD	L	ML
	kg	mm	mm	mm	mm	mm	mm	mm	mm	mm	mm	mm
Innomotics HV M - 1RQ. IC611 6600 V / 60 Hz B3 (IM 1001) - Dimension drawings												
1RQ7 457-6JA10-0AC0	5350	850	925	1545	1400	500	130	200	450	1900	3180	200
1RQ7 457-6JA10-0CA0	5500	850	925	1545	1400	250	130	200	450	1900	2930	200
1RQ7 457-6JA10-0CC0	5550	850	925	1545	1400	500	130	200	450	1900	3180	200
1RQ7 458-6JA10-0AA0	5600	850	925	1545	1400	250	130	200	450	1900	2930	200
1RQ7 458-6JA10-0AC0	5600	850	925	1545	1400	500	130	200	450	1900	3180	200
1RQ7 458-6JA10-0CA0	5800	850	925	1545	1400	250	130	200	450	1900	2930	200
1RQ7 458-6JA10-0CC0	5850	850	925	1545	1400	500	130	200	450	1900	3180	200
1RQ7 502-6JA10-0AA0	6550	950	1005	1705	1320	315	160	240	500	2210	3060	250
1RQ7 502-6JA10-0AC0	6550	950	1005	1705	1320	560	170	240	500	2210	3300	250
1RQ7 502-6JA10-0CA0	6750	950	1005	1705	1320	315	160	240	500	2210	3060	250
1RQ7 502-6JA10-0CC0	6750	950	1005	1705	1320	560	170	240	500	2210	3300	250
1RQ7 503-6JA10-0AA0	6800	950	1005	1705	1320	315	160	240	500	2210	3060	250
1RQ7 503-6JA10-0AC0	6800	950	1005	1705	1320	560	170	240	500	2210	3300	250
1RQ7 503-6JA10-0CA0	7000	950	1005	1705	1320	315	160	240	500	2210	3060	250
1RQ7 503-6JA10-0CC0	7050	950	1005	1705	1320	560	170	240	500	2210	3300	250
1RQ7 504-6JA10-0AA0	7050	950	1005	1705	1320	315	160	240	500	2210	3060	250
1RQ7 504-6JA10-0AC0	7100	950	1005	1705	1320	560	170	240	500	2210	3300	250
1RQ7 504-6JA10-0CA0	7300	950	1005	1705	1320	315	160	240	500	2210	3060	250
1RQ7 504-6JA10-0CC0	7350	950	1005	1705	1320	560	170	240	500	2210	3300	250
1RQ7 507-6JA10-0AA0	7800	950	1005	1705	1500	315	160	240	500	2210	3270	250
1RQ7 507-6JA10-0AC0	7800	950	1005	1705	1500	560	170	240	500	2210	3510	250
1RQ7 507-6JA10-0CA0	8050	950	1005	1705	1500	315	160	240	500	2210	3270	250
1RQ7 507-6JA10-0CC0	8050	950	1005	1705	1500	560	170	240	500	2210	3510	250



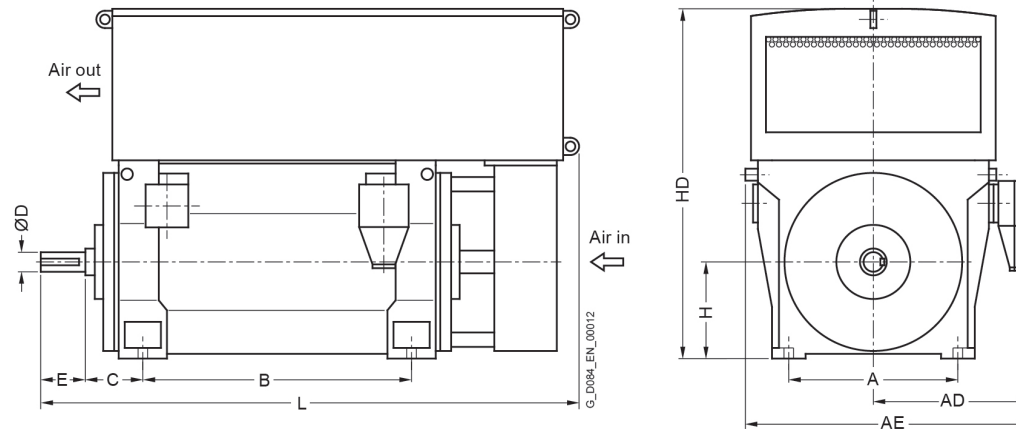
Motor type	Weight	Dimensions										
		A	AD	AE	B	C	D	E	H	HD	L	ML
	kg	mm	mm	mm	mm	mm	mm	mm	mm	mm	mm	mm
Innomotics HV M - 1RQ. IC611 6600 V / 60 Hz B3 (IM 1001) - Dimension drawings												
1RQ7 508-6JA10-0AA0	8100	950	1005	1705	1500	315	160	240	500	2210	3270	250
1RQ7 508-6JA10-0AC0	8100	950	1005	1705	1500	560	170	240	500	2210	3510	250
1RQ7 561-6JA10-0CA0	8550	1060	1290	2060	1400	335	190	280	560	2330	3260	300
1RQ7 561-6JA10-0CC0	8600	1060	1290	2060	1400	600	190	280	560	2330	3530	300
1RQ7 563-6JA10-0CA0	9150	1060	1290	2060	1400	335	190	280	560	2330	3260	300
1RQ7 563-6JA10-0CC0	9200	1060	1290	2060	1400	600	190	280	560	2330	3530	300
1RQ7 567-6JA10-0CA0	10400	1060	1290	2060	1600	335	190	280	560	2330	3490	300
1RQ7 567-6JA10-0CC0	10450	1060	1290	2060	1600	600	190	280	560	2330	3760	300
1RQ7 568-6JA10-0CA0	11050	1060	1290	2060	1600	335	190	280	560	2330	3490	300
1RQ7 568-6JA10-0CC0	11100	1060	1290	2060	1600	600	190	280	560	2330	3760	300
1RQ8 632-6JA10-0CG0	11500	1320	1520	2520	1600	375	200	280	630	2710	3530	350
1RQ8 632-6JA10-0CJ0	11550	1320	1520	2520	1600	630	200	280	630	2710	3790	350
1RQ8 633-6JA10-0CG0	12000	1320	1520	2520	1600	375	200	280	630	2710	3530	350
1RQ8 633-6JA10-0CJ0	12100	1320	1520	2520	1600	630	200	280	630	2710	3790	350
1RQ8 634-6JA10-0CG0	12500	1320	1520	2520	1600	375	200	280	630	2710	3530	350
1RQ8 634-6JA10-0CJ0	12550	1320	1520	2520	1600	630	200	280	630	2710	3790	350
1RQ8 637-6JA10-0CG0	13400	1320	1520	2520	1800	375	200	280	630	2710	3730	350
1RQ8 637-6JA10-0CJ0	13450	1320	1520	2520	1800	630	200	280	630	2710	3990	350
1RQ8 638-6JA10-0CG0	13850	1320	1520	2520	1800	375	200	280	630	2710	3730	350
1RQ8 638-6JA10-0CJ0	13950	1320	1520	2520	1800	630	200	280	630	2710	3990	350
1RQ8 712-6JA10-0CG0	15600	1500	1620	2720	2000	375	220	280	710	3090	3980	400
1RQ8 712-6JA10-0CJ0	15750	1500	1620	2720	2000	630	220	280	710	3090	4230	400
1RQ8 713-6JA10-0CG0	16600	1500	1620	2720	2000	375	220	280	710	3090	3980	400



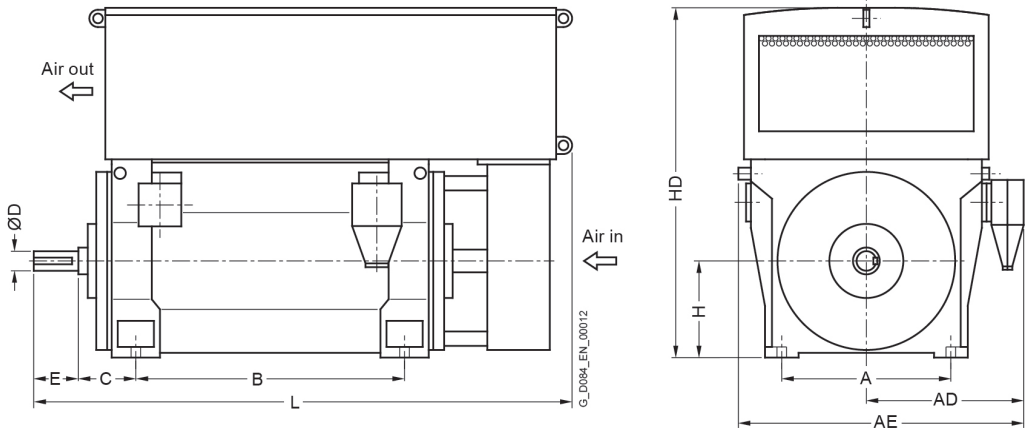
Motor type	Weight	Dimensions										
		A	AD	AE	B	C	D	E	H	HD	L	ML
	kg	mm	mm	mm	mm	mm	mm	mm	mm	mm	mm	mm
Innomotics HV M - 1RQ. IC611 6600 V / 60 Hz B3 (IM 1001) - Dimension drawings												
1RQ8 713-6JA10-0CJ0	16750	1500	1620	2720	2000	630	220	280	710	3090	4230	400
1RQ8 714-6JA10-0CG0	17600	1500	1620	2720	2000	375	220	280	710	3090	3980	400
1RQ8 714-6JA10-0CJ0	17700	1500	1620	2720	2000	630	220	280	710	3090	4230	400
1RQ8 717-6JA10-0CG0	19250	1500	1620	2720	2240	375	220	280	710	3090	4220	400
1RQ8 717-6JA10-0CJ0	19350	1500	1620	2720	2240	630	220	280	710	3090	4470	400
1RQ8 718-6JA10-0CG0	20100	1500	1620	2720	2240	375	220	280	710	3090	4220	400
1RQ8 718-6JA10-0CJ0	20250	1500	1620	2720	2240	630	220	280	710	3090	4470	400
8-pole												
1RQ7 452-8JA10-0AA0	4650	850	925	1545	1180	250	130	200	450	1900	2720	200
1RQ7 452-8JA10-0AC0	4700	850	925	1545	1180	500	130	200	450	1900	2970	200
1RQ7 452-8JA10-0CA0	4800	850	925	1545	1180	250	130	200	450	1900	2720	200
1RQ7 452-8JA10-0CC0	4850	850	925	1545	1180	500	130	200	450	1900	2970	200
1RQ7 453-8JA10-0AA0	4850	850	925	1545	1180	250	130	200	450	1900	2720	200
1RQ7 453-8JA10-0AC0	4900	850	925	1545	1180	500	130	200	450	1900	2970	200
1RQ7 453-8JA10-0CA0	5000	850	925	1545	1180	250	130	200	450	1900	2720	200
1RQ7 453-8JA10-0CC0	5050	850	925	1545	1180	500	130	200	450	1900	2970	200
1RQ7 454-8JA10-0AA0	5050	850	925	1545	1180	250	130	200	450	1900	2720	200
1RQ7 454-8JA10-0AC0	5100	850	925	1545	1180	500	130	200	450	1900	2970	200
1RQ7 454-8JA10-0CA0	5250	850	925	1545	1180	250	130	200	450	1900	2720	200
1RQ7 454-8JA10-0CC0	5250	850	925	1545	1180	500	130	200	450	1900	2970	200
1RQ7 457-8JA10-0AA0	5600	850	925	1545	1400	250	130	200	450	1900	2930	200
1RQ7 457-8JA10-0AC0	5600	850	925	1545	1400	500	130	200	450	1900	3180	200
1RQ7 457-8JA10-0CA0	5800	850	925	1545	1400	250	130	200	450	1900	2930	200



Motor type	Weight	Dimensions										
		A	AD	AE	B	C	D	E	H	HD	L	ML
	kg	mm	mm	mm	mm	mm	mm	mm	mm	mm	mm	mm
Innomotics HV M - 1RQ. IC611 6600 V / 60 Hz B3 (IM 1001) - Dimension drawings												
1RQ7 457-8JA10-0CC0	5800	850	925	1545	1400	500	130	200	450	1900	3180	200
1RQ7 458-8JA10-0AA0	5850	850	925	1545	1400	250	130	200	450	1900	2930	200
1RQ7 458-8JA10-0AC0	5900	850	925	1545	1400	500	130	200	450	1900	3180	200
1RQ7 458-8JA10-0CA0	6050	850	925	1545	1400	250	130	200	450	1900	2930	200
1RQ7 458-8JA10-0CC0	6100	850	925	1545	1400	500	130	200	450	1900	3180	200
1RQ7 502-8JA10-0AA0	6550	950	1005	1705	1320	315	160	240	500	2210	3060	250
1RQ7 502-8JA10-0AC0	6600	950	1005	1705	1320	560	170	240	500	2210	3300	250
1RQ7 503-8JA10-0AA0	6800	950	1005	1705	1320	315	160	240	500	2210	3060	250
1RQ7 503-8JA10-0AC0	6850	950	1005	1705	1320	560	170	240	500	2210	3300	250
1RQ7 503-8JA10-0CA0	7000	950	1005	1705	1320	315	160	240	500	2210	3060	250
1RQ7 503-8JA10-0CC0	7050	950	1005	1705	1320	560	170	240	500	2210	3300	250
1RQ7 504-8JA10-0CA0	7350	950	1005	1705	1320	315	160	240	500	2210	3060	250
1RQ7 504-8JA10-0CC0	7350	950	1005	1705	1320	560	170	240	500	2210	3300	250
1RQ7 504-8JA10-0AA0	7100	950	1005	1705	1320	315	160	240	500	2210	3060	250
1RQ7 504-8JA10-0AC0	7150	950	1005	1705	1320	560	170	240	500	2210	3300	250
1RQ7 507-8JA10-0AA0	7800	950	1005	1705	1500	315	160	240	500	2210	3270	250
1RQ7 507-8JA10-0AC0	7800	950	1005	1705	1500	560	170	240	500	2210	3510	250
1RQ7 507-8JA10-0CA0	8050	950	1005	1705	1500	315	160	240	500	2210	3270	250
1RQ7 507-8JA10-0CC0	8050	950	1005	1705	1500	560	170	240	500	2210	3510	250
1RQ7 508-8JA10-0CA0	8350	950	1005	1705	1500	315	160	240	500	2210	3270	250
1RQ7 508-8JA10-0CC0	8400	950	1005	1705	1500	560	170	240	500	2210	3510	250
1RQ7 508-8JA10-0AA0	8100	950	1005	1705	1500	315	160	240	500	2210	3270	250
1RQ7 508-8JA10-0AC0	8150	950	1005	1705	1500	560	170	240	500	2210	3510	250



Motor type	Weight	Dimensions										
		A	AD	AE	B	C	D	E	H	HD	L	ML
	kg	mm	mm	mm	mm	mm	mm	mm	mm	mm	mm	mm
Innomotics HV M - 1RQ. IC611 6600 V / 60 Hz B3 (IM 1001) - Dimension drawings												
1RQ7 563-8JA10-0CA0	8850	1060	1075	1845	1400	335	190	280	560	2330	3260	300
1RQ7 563-8JA10-0CC0	8900	1060	1075	1845	1400	600	190	280	560	2330	3530	300
1RQ7 564-8JA10-0CA0	9300	1060	1075	1845	1400	335	190	280	560	2330	3260	300
1RQ7 564-8JA10-0CC0	9350	1060	1075	1845	1400	600	190	280	560	2330	3530	300
1RQ7 567-8JA10-0CA0	10250	1060	1075	1845	1600	335	190	280	560	2330	3490	300
1RQ7 567-8JA10-0CC0	10300	1060	1075	1845	1600	600	190	280	560	2330	3760	300
1RQ7 568-8JA10-0CA0	10700	1060	1075	1845	1600	335	190	280	560	2330	3490	300
1RQ7 568-8JA10-0CC0	10750	1060	1075	1845	1600	600	190	280	560	2330	3760	300
1RQ8 634-8JA10-0CG0	11600	1320	1520	2520	1600	375	200	280	630	2570	3530	350
1RQ8 634-8JA10-0CJ0	11650	1320	1520	2520	1600	630	200	280	630	2570	3790	350
1RQ8 637-8JA10-0CG0	12800	1320	1520	2520	1800	375	200	280	630	2570	3730	350
1RQ8 637-8JA10-0CJ0	12850	1320	1520	2520	1800	630	200	280	630	2570	3990	350
1RQ8 638-8JA10-0CG0	13550	1320	1520	2520	1800	375	200	280	630	2570	3730	350
1RQ8 638-8JA10-0CJ0	13600	1320	1520	2520	1800	630	200	280	630	2570	3990	350
1RQ8 712-8JA10-0CG0	15150	1500	1620	2720	2000	375	220	280	710	3090	3980	400
1RQ8 712-8JA10-0CJ0	15350	1500	1620	2720	2000	630	220	280	710	3090	4230	400
1RQ8 713-8JA10-0CG0	16000	1500	1620	2720	2000	375	220	280	710	3090	3980	400
1RQ8 713-8JA10-0CJ0	16150	1500	1620	2720	2000	630	220	280	710	3090	4230	400
1RQ8 714-8JA10-0CG0	17100	1500	1620	2720	2000	375	220	280	710	3090	3980	400
1RQ8 714-8JA10-0CJ0	17300	1500	1620	2720	2000	630	220	280	710	3090	4230	400
1RQ8 717-8JA10-0CG0	18800	1500	1620	2720	2240	375	220	280	710	3090	4220	400
1RQ8 717-8JA10-0CJ0	18950	1500	1620	2720	2240	630	220	280	710	3090	4470	400
1RQ8 718-8JA10-0CG0	19850	1500	1620	2720	2240	375	220	280	710	3090	4220	400



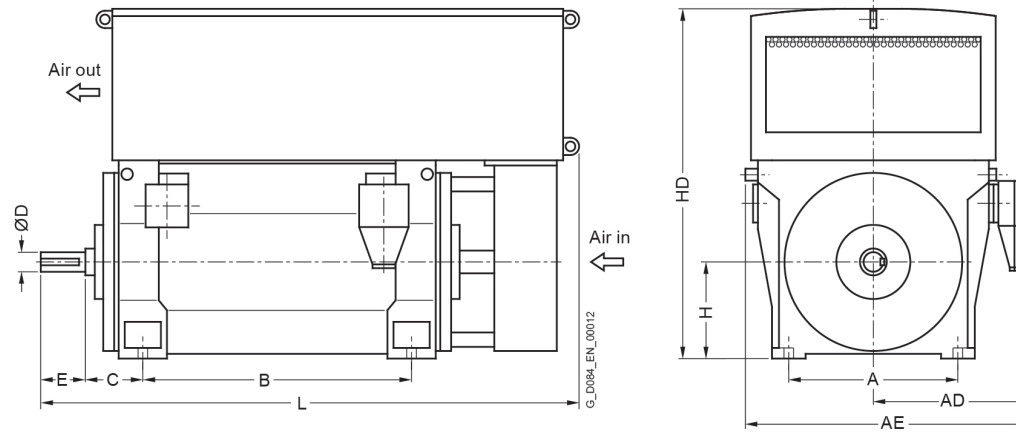
Motor type	Weight	Dimensions											
		A	AD	AE	B	C	D	E	H	HD	L	ML	
	kg	mm	mm	mm	mm	mm	mm	mm	mm	mm	mm	mm	mm
Innomotics HV M - 1RQ. IC611 6600 V / 60 Hz B3 (IM 1001) - Dimension drawings													
1RQ8 718-8JA10-0CJ0	20050	1500	1620	2720	2240	630	220	280	710	3090	4470	400	

Innomotics HV M - 1RQ. IC611 10000 V / 50 Hz B3 (IM 1001)																			
Rated power IEC	Article No.	Speed	Rated current		Efficiency				Power factor				Torque	Breakdown torque	Locked rotor torque	Locked rotor current	Inertia		
			I_R		5/4 load	4/4 load	3/4 load	2/4 load	5/4 load	4/4 load	3/4 load	2/4 load					T_R	T_B/ T_R	T_{LR}/ T_R
kW		rpm	A		%	%	%	%	$\cos \varphi$	$\cos \varphi$	$\cos \varphi$	$\cos \varphi$	Nm	[-]	[-]	[-]	kgm ²	kgm ²	[-]
2-pole: n_{sync} = 3000 rpm at 50 Hz																			
1260	1RQ7 453-2JA80-0A.2	2979	85		95.2	95.7	95.8	95.1	0.88	0.89	0.88	0.82	4040	2.40	0.55	5.8	10	60	o.r.
1280	1RQ7 453-2JA80-0C.2	2981	87		95.3	95.7	95.8	95.2	0.88	0.89	0.89	0.84	4103	2.45	0.60	5.5	14	100	o.r.
1400	1RQ7 454-2JA80-0C.2	2981	94		95.5	95.8	95.8	95.1	0.89	0.90	0.89	0.84	4485	2.60	0.65	6.0	15	100	o.r.
1400	1RQ7 454-2JA80-0A.2	2979	94		95.2	95.8	96.0	95.6	0.88	0.90	0.89	0.86	4493	2.40	0.55	5.8	11	60	o.r.
1600	1RQ7 457-2JA80-0A.2	2980	106		95.6	96.0	96.1	95.5	0.89	0.90	0.89	0.84	5129	2.60	0.60	5.8	12	70	o.r.
1600	1RQ7 457-2JA80-0C.2	2981	106		95.6	96.0	96.1	95.5	0.89	0.90	0.90	0.86	5128	2.60	0.65	6.0	16	120	o.r.
1800	1RQ7 458-2JA80-0A.2	2980	120		95.8	96.2	96.3	95.8	0.89	0.90	0.89	0.85	5770	2.70	0.60	6.0	13	70	o.r.
1800	1RQ7 458-2JA80-0C.2	2981	120		95.8	96.2	96.3	95.8	0.90	0.90	0.90	0.86	5768	2.65	0.65	6.0	18	120	o.r.
1920	1RQ7 503-2JA80-0A.2	2973	130		95.6	96.1	96.3	96.0	0.88	0.89	0.89	0.85	6168	2.60	0.50	5.0	15	60	o.r.
2000	1RQ7 503-2JA80-0C.2	2978	134		95.8	96.2	96.4	96.1	0.89	0.89	0.89	0.86	6419	2.45	0.55	4.7	20	142	o.r.
2000	1RQ7 504-2JA80-0A.2	2975	134		95.8	96.2	96.4	96.0	0.89	0.89	0.88	0.84	6420	2.85	0.70	5.6	15	66	o.r.
2100	1RQ7 504-2JA80-0C.2	2979	140		96.0	96.3	96.5	96.1	0.90	0.90	0.90	0.86	6735	2.65	0.70	5.1	21	142	o.r.
2240	1RQ7 507-2JA80-0A.2	2976	150		96.1	96.4	96.7	96.4	0.90	0.90	0.90	0.86	7189	2.85	0.70	5.8	18	78	o.r.
2360	1RQ7 507-2JA80-0C.2	2979	156		96.2	96.6	96.8	96.5	0.91	0.91	0.91	0.88	7568	2.65	0.70	5.3	24	156	o.r.
2640	1RQ7 508-2JA80-0C.2	2980	172		96.4	96.8	97.0	96.7	0.91	0.92	0.92	0.88	8462	2.75	0.75	5.7	27	164	o.r.
2500	1RQ7 508-2JA80-0A.2	2975	164		96.3	96.7	97.0	96.8	0.91	0.91	0.91	0.88	8026	2.75	0.80	5.7	20	84	o.r.
2950	1RQ7 562-2JA80-0CC2	2986	194		96.3	96.3	96.1	95.2	0.91	0.91	0.89	0.84	9437	2.95	0.80	6.0	41	230	o.r.
3300	1RQ7 563-2JA80-0CC2	2984	215		96.4	96.5	96.4	95.8	0.91	0.91	0.90	0.86	10565	2.55	0.65	5.9	44	260	o.r.
3750	1RQ7 564-2JA80-0CC2	2986	245		96.3	96.3	96.0	95.1	0.92	0.91	0.90	0.85	11996	2.95	0.75	6.0	47	265	o.r.
4250	1RQ7 567-2JA80-0CC2	2985	275		96.6	96.5	96.4	95.7	0.92	0.92	0.91	0.87	13600	2.75	0.70	5.7	52	295	o.r.
4600	1RQ7 568-2JA80-0CC2	2987	300		96.8	96.7	96.5	95.8	0.93	0.92	0.91	0.86	14709	3.10	0.75	6.4	58	320	o.r.
5100	1RQ8 633-2JA80-0CJ0	2981	345		96.1	96.5	96.3	95.5	0.86	0.89	0.90	0.89	16337	2.00	0.55	4.7	82	280	o.r.
5600	1RQ8 634-2JA80-0CJ2	2983	370		96.4	96.7	96.5	95.6	0.88	0.90	0.90	0.90	17927	2.15	0.60	5.1	90	290	o.r.
6200	1RQ8 637-2JA80-0CJ0	2984	405		96.6	96.9	96.6	95.8	0.89	0.91	0.91	0.90	19841	2.35	0.65	5.6	99	300	o.r.
6850	1RQ8 638-2JA80-0CJ0	2985	450		96.8	97.1	96.8	96.1	0.89	0.91	0.91	0.90	21914	2.40	0.60	5.7	107	310	o.r.
7150	1RQ8 712-2JA80-0CJ0	2988	475		96.4	96.5	96.2	95.1	0.87	0.90	0.89	0.88	22851	2.20	0.50	5.2	149	250	o.r.
8050	1RQ8 713-2JA80-0CJ0	2987	530		96.7	96.8	96.5	95.6	0.89	0.91	0.90	0.89	25735	2.20	0.60	5.2	160	220	o.r.
8250	1RQ8 714-2JA80-0CJ0	2988	540		96.8	96.9	96.6	95.7	0.88	0.91	0.91	0.89	26366	2.15	0.55	5.1	172	260	o.r.
9050	1RQ8 716-2JA80-0CJ0	2988	590		96.9	97.1	96.8	96.0	0.88	0.91	0.91	0.89	28923	2.15	0.50	5.1	184	270	o.r.
9700	1RQ8 717-2JA80-0CJ0	2988	630		97.0	97.2	96.9	96.1	0.89	0.91	0.91	0.89	31000	2.20	0.50	5.3	199	280	o.r.
10000	1RQ8 718-2JA80-0CJ2	2989	640		97.2	97.3	97.0	96.2	0.90	0.92	0.91	0.90	31948	2.45	0.60	5.9	217	310	o.r.
4-pole: n_{sync} = 1500 rpm at 50 Hz																			
1220	1RQ7 453-4JA80-0A.2	1485	84		94.9	95.5	95.6	95.3	0.88	0.88	0.86	0.79	7849	2.70	0.80	6.0	17	320	o.r.
1260	1RQ7 453-4JA80-0C.2	1488	86		95.1	95.7	95.9	95.5	0.87	0.88	0.86	0.80	8094	2.50	0.60	5.5	23	350	o.r.
1300	1RQ7 454-4JA80-0A.2	1485	88		95.1	95.7	95.8	95.4	0.89	0.89	0.86	0.79	8359	2.85	0.80	6.2	19	375	o.r.
1400	1RQ7 454-4JA80-0C.2	1488	95		95.2	95.8	96.0	95.7	0.88	0.89	0.87	0.82	8991	2.50	0.60	5.5	26	360	o.r.

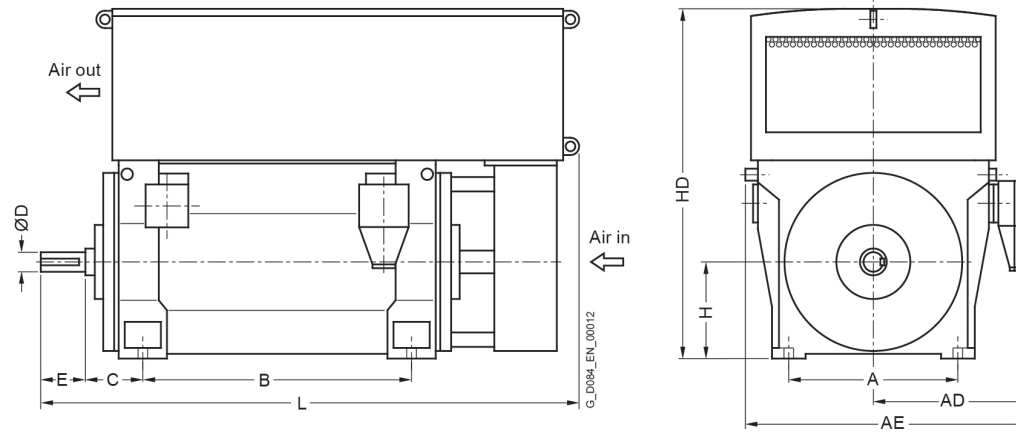
Innomotics HV M - 1RQ. IC611 10000 V / 50 Hz B3 (IM 1001)																		
Rated power IEC	Article No.	Speed	Rated current I_R	Efficiency				Power factor				Torque T_R	Breakdown torque T_B/ T_R	Locked torque T_{LR}/ T_R	Locked rotor current I_{LR}/ I_R	Inertia		
				5/4 load	4/4 load	3/4 load	2/4 load	5/4 load	4/4 load	3/4 load	2/4 load					motor	external	Startup max T/TR
kW		rpm	A	%	%	%	%	$\cos \varphi$	$\cos \varphi$	$\cos \varphi$	$\cos \varphi$	Nm	[-]	[-]	[-]	kgm ²	kgm ²	[-]
1650	1RQ7 457-4JA80-0C.2	1488	112	95.7	96.2	96.4	96.1	0.89	0.89	0.88	0.83	10592	2.55	0.60	5.8	30	580	o.r.
1480	1RQ7 457-4JA80-0A.2	1485	99	95.2	95.9	96.1	96.0	0.89	0.90	0.89	0.85	9526	2.60	0.80	6.2	22	425	o.r.
1800	1RQ7 458-4JA80-0C.2	1489	122	95.9	96.3	96.4	96.1	0.89	0.89	0.87	0.81	11546	2.80	0.65	6.0	33	615	o.r.
1620	1RQ7 458-4JA80-0A.2	1485	108	95.5	96.1	96.3	96.2	0.90	0.90	0.89	0.85	10422	2.70	0.85	6.5	24	460	o.r.
1940	1RQ7 503-4JA80-0A.2	1487	130	95.6	96.1	96.5	96.2	0.88	0.89	0.88	0.85	12475	2.40	0.80	5.3	37	630	o.r.
1960	1RQ7 503-4JA80-0C.2	1488	132	95.7	96.2	96.5	96.2	0.88	0.89	0.89	0.86	12592	2.35	0.60	4.9	45	605	o.r.
2140	1RQ7 504-4JA80-0C.2	1491	146	96.0	96.4	96.5	95.9	0.88	0.88	0.86	0.79	13718	2.65	0.65	5.6	50	670	o.r.
2000	1RQ7 504-4JA80-0A.2	1486	134	95.7	96.2	96.5	96.3	0.88	0.90	0.90	0.87	12860	2.45	0.90	5.5	40	625	o.r.
2330	1RQ7 507-4JA80-0C.2	1490	158	96.1	96.5	96.7	96.2	0.87	0.88	0.87	0.82	14943	2.45	0.55	5.2	55	745	o.r.
2260	1RQ7 507-4JA80-0A.2	1487	152	95.8	96.4	96.7	96.5	0.88	0.89	0.90	0.87	14533	2.40	0.85	5.5	46	765	o.r.
2530	1RQ7 508-4JA80-0C.2	1491	170	96.3	96.7	96.8	96.4	0.89	0.89	0.89	0.84	16215	2.80	0.75	6.0	62	815	o.r.
2520	1RQ7 508-4JA80-0A.2	1488	170	96.1	96.6	96.8	96.5	0.89	0.89	0.89	0.85	16185	2.70	1.00	6.2	50	800	o.r.
2800	1RQ7 563-4JA80-0C.2	1492	188	96.5	96.7	97.0	96.6	0.88	0.89	0.87	0.83	17937	2.45	0.65	6.0	80	825	o.r.
3350	1RQ7 564-4JA80-0C.2	1491	224	96.5	96.9	97.1	96.9	0.88	0.89	0.89	0.86	21478	2.25	0.60	5.4	90	945	o.r.
3600	1RQ7 566-4JA80-0C.2	1492	238	96.7	97.0	97.2	96.9	0.89	0.90	0.89	0.86	23062	2.50	0.75	6.1	100	975	o.r.
4150	1RQ7 567-4JA80-0C.2	1491	274	96.8	97.1	97.4	97.1	0.89	0.90	0.90	0.86	26587	2.50	0.75	6.1	110	995	o.r.
4500	1RQ7 568-4JA80-0C.2	1492	300	97.0	97.2	97.4	97.1	0.90	0.89	0.89	0.84	28809	2.60	0.75	6.4	119	1015	o.r.
5050	1RQ8 633-4JA80-0C.0	1492	340	96.5	96.8	96.7	96.1	0.88	0.89	0.87	0.82	32322	2.50	0.60	5.9	151	780	o.r.
5600	1RQ8 634-4JA80-0C.2	1492	370	96.7	96.9	96.9	96.3	0.89	0.90	0.88	0.84	35842	2.50	0.60	6.0	166	1060	o.r.
6150	1RQ8 637-4JA80-0C.0	1492	410	96.8	97.1	97.0	96.4	0.88	0.89	0.87	0.81	39362	2.60	0.55	6.0	181	950	o.r.
6750	1RQ8 638-4JA80-0C.0	1492	450	97.0	97.2	97.1	96.6	0.88	0.89	0.87	0.81	43202	2.45	0.50	6.0	196	1060	o.r.
7050	1RQ8 712-4JA80-0C.0	1491	465	96.7	97.1	97.2	96.8	0.88	0.90	0.90	0.88	45153	2.25	0.50	5.4	259	960	o.r.
7650	1RQ8 713-4JA80-0C.0	1492	500	96.9	97.3	97.3	96.9	0.89	0.91	0.90	0.88	48963	2.40	0.50	5.7	284	1040	o.r.
8350	1RQ8 714-4JA80-0C.0	1492	540	97.0	97.4	97.4	97.0	0.90	0.91	0.91	0.88	53443	2.50	0.55	6.0	312	1120	o.r.
9250	1RQ8 717-4JA80-0C.0	1492	600	97.2	97.5	97.5	97.1	0.90	0.91	0.91	0.88	59203	2.55	0.55	6.0	345	1260	o.r.
9450	1RQ8 718-4JA80-0C.0	1493	610	97.2	97.5	97.5	97.1	0.90	0.91	0.90	0.87	60443	2.60	0.50	6.0	362	1450	o.r.
6-pole: $n_{sync} = 1000$ rpm at 50 Hz																		
860	1RQ7 452-6JA80-0A.2	990	61	94.3	95.1	95.3	95.1	0.85	0.85	0.81	0.72	8298	2.35	0.80	5.4	20	510	o.r.
880	1RQ7 452-6JA80-0C.2	990	62	94.1	95.0	95.3	95.2	0.85	0.86	0.83	0.75	8492	2.35	0.65	5.0	27	645	o.r.
930	1RQ7 453-6JA80-0A.0	990	66	94.4	95.1	95.4	95.2	0.85	0.85	0.82	0.73	8973	2.40	0.80	5.7	22	525	o.r.
950	1RQ7 453-6JA80-0C.0	990	67	94.3	95.1	95.4	95.3	0.85	0.86	0.83	0.76	9169	2.40	0.65	5.2	30	650	o.r.
1010	1RQ7 454-6JA80-0A.2	990	71	94.5	95.3	95.6	95.4	0.85	0.86	0.83	0.74	9744	2.50	0.85	5.7	24	600	o.r.
1020	1RQ7 454-6JA80-0C.2	990	72	94.5	95.3	95.6	95.5	0.86	0.86	0.84	0.76	9843	2.50	0.70	5.4	33	770	o.r.
1120	1RQ7 457-6JA80-0A.2	990	78	94.8	95.5	95.8	95.7	0.86	0.87	0.84	0.76	10806	2.50	0.85	5.5	28	670	o.r.
1120	1RQ7 457-6JA80-0C.2	990	78	94.8	95.5	95.8	95.7	0.86	0.87	0.85	0.78	10807	2.50	0.70	5.5	36	880	o.r.
1250	1RQ7 458-6JA80-0A.2	990	87	94.9	95.6	96.0	96.0	0.87	0.87	0.85	0.78	12062	2.50	0.85	5.5	31	690	o.r.
1250	1RQ7 458-6JA80-0C.2	990	87	94.9	95.6	96.0	95.9	0.87	0.87	0.85	0.79	12063	2.50	0.70	5.5	41	895	o.r.

Innomotics HV M - 1RQ. IC611 10000 V / 50 Hz B3 (IM 1001)																			
Rated power IEC	Article No.	Speed	Rated current		Efficiency				Power factor				Torque	Breakdown torque	Locked rotor torque	Locked rotor current	Inertia		
			I_R	$I_{5/4}$	5/4 load	4/4 load	3/4 load	2/4 load	5/4 load	4/4 load	3/4 load	2/4 load					T_R	T_B/ T_R	T_{LR}/ T_R
kW		rpm	A	%	%	%	%	cos φ	cos φ	cos φ	cos φ	Nm	[-]	[-]	[-]	kgm ²	kgm ²	[-]	
1550	1RQ7 503-6JA80-0A.2	991	97	95.1	96.0	96.3	96.2	0.85	0.86	0.86	0.81	14955	2.15	0.80	4.6	46	1080	o.r.	
1700	1RQ7 504-6JA80-0A.2	991	110	95.4	96.1	96.4	96.4	0.86	0.86	0.85	0.80	16390	2.30	0.90	5.0	51	1280	o.r.	
1950	1RQ7 507-6JA80-0A.2	991	124	95.7	96.2	96.6	96.5	0.86	0.86	0.85	0.79	18794	2.40	0.95	5.2	58	1560	o.r.	
2050	1RQ7 508-6JA80-0A.2	991	138	95.8	96.3	96.6	96.4	0.87	0.86	0.85	0.78	19753	2.55	1.00	5.6	63	1540	o.r.	
2240	1RQ7 561-6JA80-0C.2	994	156	95.9	96.2	96.4	96.0	0.85	0.86	0.81	0.75	21531	2.10	0.65	6.0	97	2095	o.r.	
2600	1RQ7 562-6JA80-0C.2	993	182	95.7	96.3	96.2	95.8	0.85	0.86	0.83	0.78	25011	2.10	0.60	6.0	105	1890	o.r.	
2650	1RQ7 563-6JA80-0C.2	993	184	95.8	96.4	96.5	96.2	0.85	0.86	0.86	0.82	25514	2.00	0.60	5.5	113	1725	o.r.	
3000	1RQ7 564-6JA80-0C.2	994	210	96.2	96.5	96.5	96.2	0.86	0.86	0.83	0.77	28898	2.00	0.60	6.0	124	2065	o.r.	
3300	1RQ7 567-6JA80-0C.2	993	230	96.3	96.6	96.8	96.5	0.86	0.86	0.85	0.80	31736	2.00	0.60	6.0	137	3135	o.r.	
3550	1RQ7 568-6JA80-0C.2	994	245	96.5	96.8	96.9	96.7	0.86	0.86	0.84	0.78	34108	2.20	0.65	6.0	151	2955	o.r.	
4000	1RQ8 632-6JA80-0C.2	993	280	96.1	96.5	96.6	96.0	0.85	0.86	0.83	0.75	38466	2.35	0.60	5.4	193	2320	o.r.	
4150	1RQ8 633-6JA80-0C.0	993	285	96.3	96.6	96.7	96.1	0.85	0.87	0.83	0.75	39909	2.45	0.60	5.5	209	2630	o.r.	
4500	1RQ8 634-6JA80-0C.2	993	310	96.4	96.7	96.8	96.3	0.86	0.87	0.84	0.77	43275	2.45	0.60	5.5	227	2870	o.r.	
4800	1RQ8 637-6JA80-0C.0	993	330	96.5	96.8	96.9	96.3	0.86	0.87	0.84	0.77	46160	2.50	0.60	5.5	247	3230	o.r.	
5000	1RQ8 638-6JA80-0C.2	994	340	96.6	96.9	96.9	96.3	0.86	0.87	0.83	0.74	48035	2.55	0.60	5.5	264	3730	o.r.	
5700	1RQ8 712-6JA80-0C.0	994	390	96.7	97.1	97.2	96.7	0.86	0.87	0.84	0.77	54760	2.40	0.55	5.5	331	2880	o.r.	
6300	1RQ8 713-6JA80-0C.2	994	430	96.9	97.2	97.3	96.9	0.86	0.87	0.85	0.79	60524	2.45	0.60	5.5	374	3260	o.r.	
6900	1RQ8 714-6JA80-0C.0	994	465	97.0	97.3	97.4	97.0	0.87	0.88	0.86	0.79	66288	2.50	0.55	5.5	423	3810	o.r.	
7450	1RQ8 717-6JA80-0C.0	994	500	97.0	97.4	97.5	97.2	0.87	0.88	0.87	0.82	71572	2.30	0.50	5.5	476	4530	o.r.	
8150	1RQ8 718-6JA80-0C.0	995	550	97.2	97.5	97.5	97.2	0.87	0.88	0.85	0.79	78218	2.45	0.50	5.5	520	5150	o.r.	
8-pole: n_{sync} = 750 rpm at 50 Hz																			
580	1RQ7 451-8JA80-0A.0	741	44	93.4	94.4	94.8	94.6	0.81	0.81	0.75	0.64	7472	2.05	0.70	5.3	23	600	o.r.	
630	1RQ7 452-8JA80-0A.0	741	47	93.4	94.5	94.9	94.8	0.82	0.82	0.77	0.66	8115	2.10	0.70	5.5	25	610	o.r.	
720	1RQ7 453-8JA80-0A.2	742	54	94.1	95.0	95.3	95.1	0.81	0.81	0.75	0.64	9272	2.25	0.75	5.5	28	940	o.r.	
820	1RQ7 454-8JA80-0A.2	743	63	94.6	95.3	95.4	95.2	0.81	0.79	0.72	0.58	10545	2.45	0.85	5.4	31	1300	o.r.	
900	1RQ7 457-8JA80-0A.2	743	68	94.7	95.4	95.6	95.4	0.81	0.80	0.73	0.60	11574	2.50	0.85	5.5	35	1400	o.r.	
1000	1RQ7 458-8JA80-0A.2	743	76	94.8	95.5	95.7	95.4	0.82	0.80	0.74	0.61	12861	2.55	0.85	5.5	39	1430	o.r.	
1120	1RQ7 502-8JA80-0C.2	743	81	94.9	95.7	96.1	96.1	0.82	0.83	0.81	0.73	14406	2.15	0.55	4.1	59	2040	o.r.	
1220	1RQ7 503-8JA80-0A.2	743	89	95.1	95.8	96.2	96.2	0.82	0.83	0.80	0.73	15693	2.10	0.80	4.3	51	2290	o.r.	
1250	1RQ7 503-8JA80-0C.2	742	91	95.0	95.8	96.2	96.3	0.82	0.83	0.82	0.75	16095	2.10	0.55	4.0	65	2130	o.r.	
1280	1RQ7 504-8JA80-0A.2	743	93	95.3	95.9	96.3	96.3	0.83	0.83	0.80	0.73	16457	2.20	0.85	4.5	56	2100	o.r.	
1300	1RQ7 504-8JA80-0C.2	743	93	95.2	95.9	96.3	96.3	0.84	0.84	0.81	0.74	16722	2.25	0.60	4.3	72	2330	o.r.	
1400	1RQ7 507-8JA80-0A.2	744	102	95.4	96.1	96.4	96.4	0.83	0.83	0.80	0.74	17995	2.25	0.85	4.7	63	2370	o.r.	
1480	1RQ7 507-8JA80-0C.2	743	106	95.4	96.0	96.4	96.5	0.83	0.84	0.82	0.75	19039	2.20	0.65	4.3	80	2970	o.r.	
1600	1RQ7 508-8JA80-0A.2	744	116	95.6	96.2	96.5	96.4	0.82	0.83	0.81	0.73	20561	2.30	0.90	4.7	69	2680	o.r.	
1620	1RQ7 508-8JA80-0C.2	743	116	95.7	96.2	96.5	96.5	0.83	0.84	0.81	0.74	20824	2.35	0.65	4.5	88	3340	o.r.	
1880	1RQ7 563-8JA80-0C.2	744	136	95.5	96.1	96.4	96.2	0.83	0.83	0.81	0.75	24144	2.10	0.60	4.6	124	3020	o.r.	

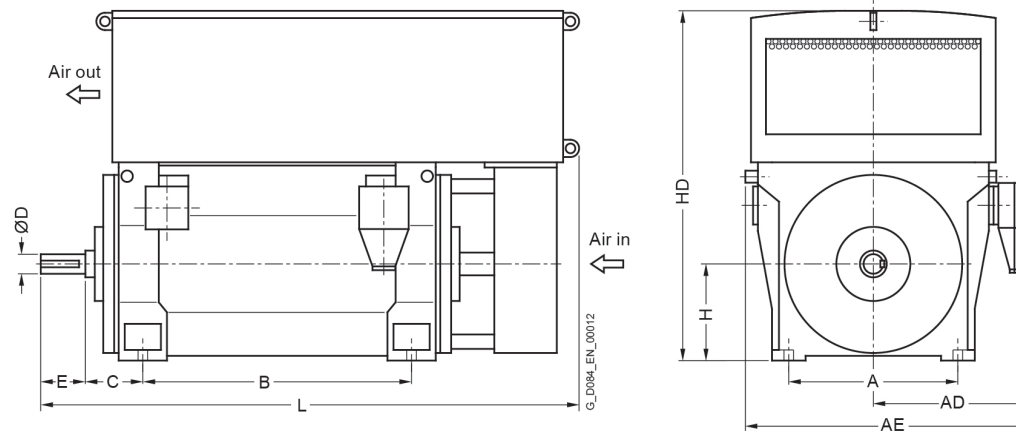
Innomotics HV M - 1RQ. IC611 10000 V / 50 Hz B3 (IM 1001)																		
Rated power IEC	Article No.	Speed	Rated current I_R	Efficiency				Power factor				Torque T_R	Breakdown torque T_B / T_R	Locked rotor torque T_{LR} / T_R	Locked rotor current I_{LR} / I_R	Inertia		
				5/4 load	4/4 load	3/4 load	2/4 load	5/4 load	4/4 load	3/4 load	2/4 load					motor	external	Startup max T/TR
kW		rpm	A	%	%	%	%	$\cos \varphi$	$\cos \varphi$	$\cos \varphi$	$\cos \varphi$	Nm	[-]	[-]	[-]	kgm ²	kgm ²	[-]
2080	1RQ7 564-8JA80-0C.2	744	150	95.8	96.3	96.5	96.2	0.83	0.83	0.81	0.74	26711	2.20	0.65	4.9	137	3650	o.r.
2300	1RQ7 567-8JA80-0C.2	744	164	95.9	96.4	96.7	96.5	0.83	0.84	0.82	0.76	29553	2.10	0.60	4.7	150	4935	o.r.
2550	1RQ7 568-8JA80-0C.2	744	182	96.1	96.6	96.8	96.6	0.83	0.84	0.82	0.75	32757	2.20	0.60	4.8	165	6225	o.r.
2800	1RQ8 633-8JA80-0C.2	744	198	95.4	95.9	95.9	95.4	0.85	0.85	0.81	0.72	35938	2.15	0.45	4.7	216	2980	o.r.
3250	1RQ8 634-8JA80-0C.0	744	230	95.7	96.2	96.2	95.7	0.85	0.85	0.81	0.73	41714	2.20	0.50	4.8	251	4820	o.r.
3600	1RQ8 637-8JA80-0C.0	745	255	96.0	96.4	96.3	95.7	0.85	0.84	0.79	0.68	46144	2.40	0.50	5.1	291	5730	o.r.
3800	1RQ8 638-8JA80-0C.0	745	270	96.2	96.5	96.3	95.7	0.85	0.84	0.78	0.67	48708	2.50	0.55	5.5	324	6970	o.r.
4250	1RQ8 713-8JA80-0C.0	746	275	96.3	96.7	96.7	96.3	0.87	0.87	0.83	0.74	54403	2.40	0.55	5.2	471	4400	o.r.
4800	1RQ8 714-8JA80-0C.0	746	310	96.5	96.8	96.8	96.4	0.86	0.86	0.82	0.74	61443	2.40	0.50	5.1	536	4580	o.r.
5250	1RQ8 717-8JA80-0C.0	746	340	96.6	97.0	97.0	96.7	0.87	0.88	0.84	0.77	67203	2.40	0.55	5.2	616	5990	o.r.
5500	1RQ8 718-8JA80-0C.0	746	370	96.7	97.0	97.1	96.7	0.88	0.88	0.84	0.77	70404	2.50	0.60	5.5	680	6130	o.r.



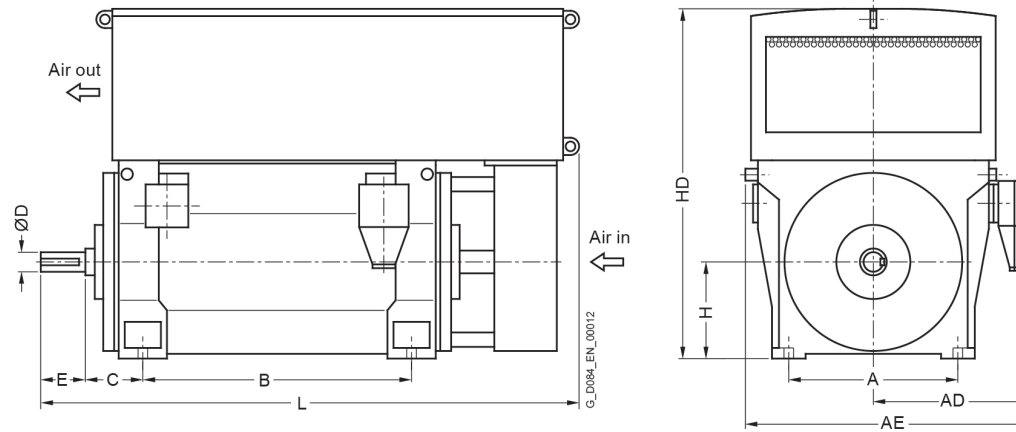
Motor type	Weight	Dimensions										
		A	AD	AE	B	C	D	E	H	HD	L	ML
	kg	mm	mm	mm	mm	mm	mm	mm	mm	mm	mm	mm
Innomotics HV M - 1RQ. IC611 10000 V / 50 Hz B3 (IM 1001) - Dimension drawings												
2-pole												
1RQ7 453-2JA80-0AA2	4650	850	1140	1760	1180	250	95	130	450	1900	2650	200
1RQ7 453-2JA80-0AC2	4550	850	1140	1760	1180	475	95	130	450	1900	2880	200
1RQ7 453-2JA80-0CA2	4800	850	1140	1760	1180	250	95	130	450	1900	2650	200
1RQ7 453-2JA80-0CC2	4700	850	1140	1760	1180	475	95	130	450	1900	2880	200
1RQ7 454-2JA80-0CA2	4900	850	1140	1760	1180	250	95	130	450	1900	2650	200
1RQ7 454-2JA80-0CC2	4850	850	1140	1760	1180	475	95	130	450	1900	2880	200
1RQ7 454-2JA80-0AA2	4800	850	1140	1760	1180	250	95	130	450	1900	2650	200
1RQ7 454-2JA80-0AC2	4650	850	1140	1760	1180	475	95	130	450	1900	2880	200
1RQ7 457-2JA80-0AA2	5250	850	1140	1760	1400	250	95	130	450	1900	2860	200
1RQ7 457-2JA80-0AC2	5100	850	1140	1760	1400	475	95	130	450	1900	3090	200
1RQ7 457-2JA80-0CA2	5400	850	1140	1760	1400	250	95	130	450	1900	2860	200
1RQ7 457-2JA80-0CC2	5300	850	1140	1760	1400	475	95	130	450	1900	3090	200
1RQ7 458-2JA80-0AA2	5450	850	1140	1760	1400	250	95	130	450	1900	2860	200
1RQ7 458-2JA80-0AC2	5300	850	1140	1760	1400	475	95	130	450	1900	3090	200
1RQ7 458-2JA80-0CA2	5600	850	1140	1760	1400	250	95	130	450	1900	2860	200
1RQ7 458-2JA80-0CC2	5500	850	1140	1760	1400	475	95	130	450	1900	3090	200
1RQ7 503-2JA80-0AA2	6400	950	1220	1920	1320	250	110	165	500	2210	2920	250
1RQ7 503-2JA80-0AC2	6350	950	1220	1920	1320	530	120	165	500	2210	3200	250
1RQ7 503-2JA80-0CA2	6550	950	1220	1920	1320	250	110	165	500	2210	2920	250
1RQ7 503-2JA80-0CC2	6500	950	1220	1920	1320	530	120	165	500	2210	3200	250
1RQ7 504-2JA80-0AA2	6500	950	1220	1920	1320	250	110	165	500	2210	2920	250
1RQ7 504-2JA80-0AC2	6400	950	1220	1920	1320	530	120	165	500	2210	3200	250



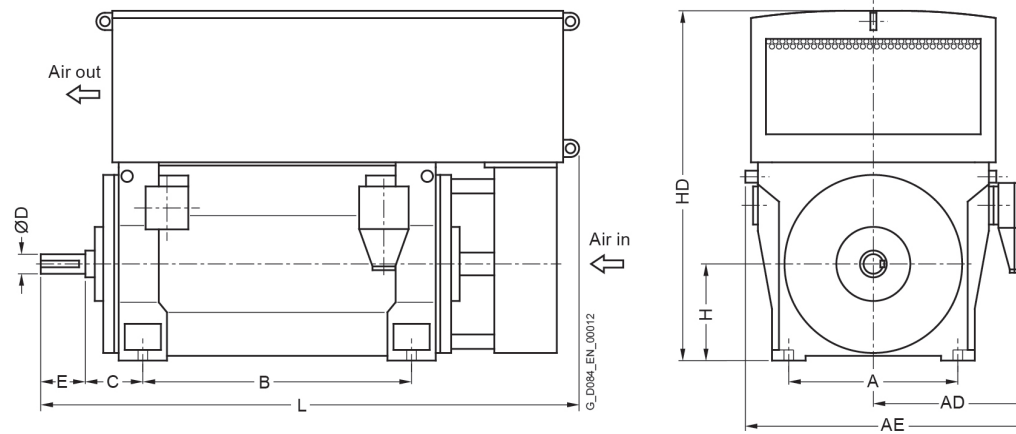
Motor type	Weight	Dimensions												
		A	AD	AE	B	C	D	E	H	HD	L	ML		
	kg	mm	mm	mm	mm	mm	mm	mm	mm	mm	mm	mm	mm	
Innomotics HV M - 1RQ. IC611 10000 V / 50 Hz B3 (IM 1001) - Dimension drawings														
1RQ7 504-2JA80-0CA2	6650	950	1220	1920	1320	250	110	165	500	2210	2920	250		
1RQ7 504-2JA80-0CC2	6550	950	1220	1920	1320	530	120	165	500	2210	3200	250		
1RQ7 507-2JA80-0AA2	7150	950	1220	1920	1500	250	110	165	500	2210	3130	250		
1RQ7 507-2JA80-0AC2	7100	950	1220	1920	1500	530	120	165	500	2210	3410	250		
1RQ7 507-2JA80-0CA2	7300	950	1220	1920	1500	250	110	165	500	2210	3130	250		
1RQ7 507-2JA80-0CC2	7250	950	1220	1920	1500	530	120	165	500	2210	3410	250		
1RQ7 508-2JA80-0CA2	7700	950	1220	1920	1500	250	110	165	500	2210	3130	250		
1RQ7 508-2JA80-0CC2	7600	950	1220	1920	1500	530	120	165	500	2210	3410	250		
1RQ7 508-2JA80-0AA2	7550	950	1220	1920	1500	250	110	165	500	2210	3130	250		
1RQ7 508-2JA80-0AC2	7450	950	1220	1920	1500	530	120	165	500	2210	3410	250		
1RQ7 562-2JA80-0CC2	8200	1060	1290	2060	1400	600	150	200	560	2330	3450	300		
1RQ7 563-2JA80-0CC2	8500	1060	1290	2060	1400	600	150	200	560	2330	3450	300		
1RQ7 564-2JA80-0CC2	8750	1060	1290	2060	1400	600	150	200	560	2330	3450	300		
1RQ7 567-2JA80-0CC2	9700	1060	1290	2060	1600	600	150	200	560	2330	3680	300		
1RQ7 568-2JA80-0CC2	10250	1060	1290	2060	1600	600	150	200	560	2330	3680	300		
1RQ8 633-2JA80-0CJ0	10700	1320	1520	2520	1600	560	160	240	630	2710	3680	350		
1RQ8 634-2JA80-0CJ2	11200	1320	1520	2520	1600	560	160	240	630	2710	3680	350		
1RQ8 637-2JA80-0CJ0	12100	1320	1520	2520	1800	560	160	240	630	2710	3880	350		
1RQ8 638-2JA80-0CJ0	12700	1320	1520	2520	1800	560	160	240	630	2710	3880	350		
1RQ8 712-2JA80-0CJ0	14500	1500	1620	2720	2000	560	180	240	710	3090	4400	400		
1RQ8 713-2JA80-0CJ0	15200	1500	1620	2720	2000	560	180	240	710	3090	4400	400		
1RQ8 714-2JA80-0CJ0	15900	1500	1620	2720	2000	560	180	240	710	3090	4400	400		
1RQ8 716-2JA80-0CJ0	17050	1500	1620	2720	2240	560	180	240	710	3090	4640	400		



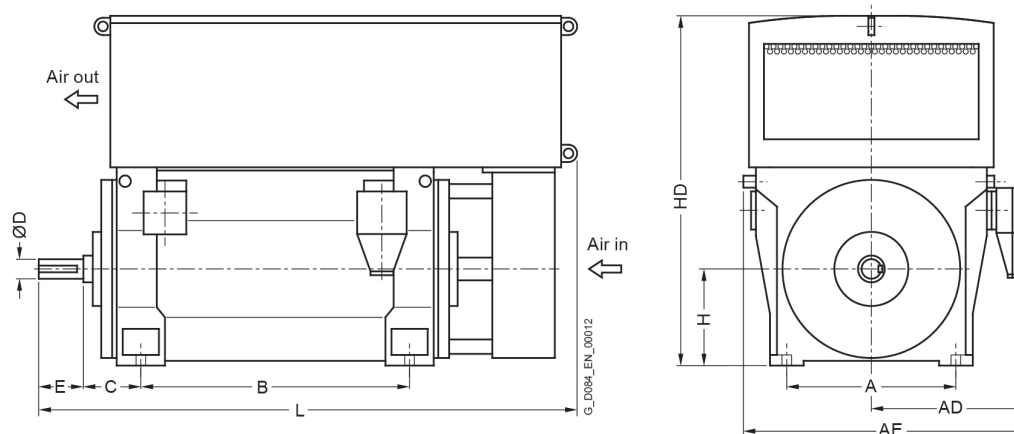
Motor type	Weight	Dimensions										
		A	AD	AE	B	C	D	E	H	HD	L	ML
	kg	mm	mm	mm	mm	mm	mm	mm	mm	mm	mm	mm
Innomotics HV M - 1RQ. IC611 10000 V / 50 Hz B3 (IM 1001) - Dimension drawings												
1RQ8 717-2JA80-0CJ0	17800	1500	1620	2720	2240	560	180	240	710	3090	4640	400
1RQ8 718-2JA80-0CJ2	18750	1500	1620	2720	2240	560	180	240	710	3090	4640	400
4-pole												
1RQ7 453-4JA80-0AA2	4700	850	1140	1760	1180	250	130	200	450	1900	2720	200
1RQ7 453-4JA80-0AC2	4700	850	1140	1760	1180	500	130	200	450	1900	2970	200
1RQ7 453-4JA80-0CA2	4850	850	1140	1760	1180	250	130	200	450	1900	2720	200
1RQ7 453-4JA80-0CC2	4850	850	1140	1760	1180	500	130	200	450	1900	2970	200
1RQ7 454-4JA80-0AA2	4850	850	1140	1760	1180	250	130	200	450	1900	2720	200
1RQ7 454-4JA80-0AC2	4850	850	1140	1760	1180	500	130	200	450	1900	2970	200
1RQ7 454-4JA80-0CA2	5000	850	1140	1760	1180	250	130	200	450	1900	2720	200
1RQ7 454-4JA80-0CC2	5000	850	1140	1760	1180	500	130	200	450	1900	2970	200
1RQ7 457-4JA80-0CA2	5650	850	1140	1760	1400	250	130	200	450	1900	2930	200
1RQ7 457-4JA80-0CC2	5700	850	1140	1760	1400	500	130	200	450	1900	3180	200
1RQ7 457-4JA80-0AA2	5450	850	1140	1760	1400	250	130	200	450	1900	2930	200
1RQ7 457-4JA80-0AC2	5450	850	1140	1760	1400	500	130	200	450	1900	3180	200
1RQ7 458-4JA80-0CA2	5900	850	1140	1760	1400	250	130	200	450	1900	2930	200
1RQ7 458-4JA80-0CC2	5900	850	1140	1760	1400	500	130	200	450	1900	3180	200
1RQ7 458-4JA80-0AA2	5700	850	1140	1760	1400	250	130	200	450	1900	2930	200
1RQ7 458-4JA80-0AC2	5700	850	1140	1760	1400	500	130	200	450	1900	3180	200
1RQ7 503-4JA80-0AA2	6700	950	1220	1920	1320	315	160	240	500	2210	3060	250
1RQ7 503-4JA80-0AC2	6750	950	1220	1920	1320	560	170	240	500	2210	3300	250
1RQ7 503-4JA80-0CA2	6850	950	1220	1920	1320	315	160	240	500	2210	3060	250
1RQ7 503-4JA80-0CC2	6900	950	1220	1920	1320	560	170	240	500	2210	3300	250



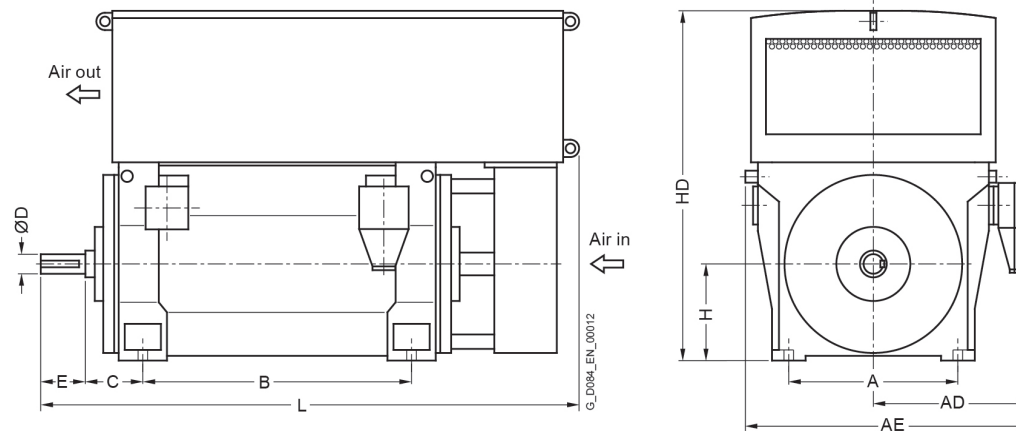
Motor type	Weight	Dimensions												
		A	AD	AE	B	C	D	E	H	HD	L	ML		
	kg	mm	mm	mm	mm	mm	mm	mm	mm	mm	mm	mm	mm	
Innomotics HV M - 1RQ. IC611 10000 V / 50 Hz B3 (IM 1001) - Dimension drawings														
1RQ7 504-4JA80-0CA2	7100	950	1220	1920	1320	315	160	240	500	2210	3060	250		
1RQ7 504-4JA80-0CC2	7150	950	1220	1920	1320	560	170	240	500	2210	3300	250		
1RQ7 504-4JA80-0AA2	6950	950	1220	1920	1320	315	160	240	500	2210	3060	250		
1RQ7 504-4JA80-0AC2	7000	950	1220	1920	1320	560	170	240	500	2210	3300	250		
1RQ7 507-4JA80-0CA2	7800	950	1220	1920	1500	315	160	240	500	2210	3270	250		
1RQ7 507-4JA80-0CC2	7850	950	1220	1920	1500	560	170	240	500	2210	3510	250		
1RQ7 507-4JA80-0AA2	7600	950	1220	1920	1500	315	160	240	500	2210	3270	250		
1RQ7 507-4JA80-0AC2	7650	950	1220	1920	1500	560	170	240	500	2210	3510	250		
1RQ7 508-4JA80-0CA2	8150	950	1220	1920	1500	315	160	240	500	2210	3270	250		
1RQ7 508-4JA80-0CC2	8200	950	1220	1920	1500	560	170	240	500	2210	3510	250		
1RQ7 508-4JA80-0AA2	7950	950	1220	1920	1500	315	160	240	500	2210	3270	250		
1RQ7 508-4JA80-0AC2	8000	950	1220	1920	1500	560	170	240	500	2210	3510	250		
1RQ7 563-4JA80-0CA2	8550	1060	1290	2060	1400	335	190	280	560	2330	3260	300		
1RQ7 563-4JA80-0CC2	8600	1060	1290	2060	1400	600	190	280	560	2330	3530	300		
1RQ7 564-4JA80-0CA2	9000	1060	1290	2060	1400	335	190	280	560	2330	3260	300		
1RQ7 564-4JA80-0CC2	9050	1060	1290	2060	1400	600	190	280	560	2330	3530	300		
1RQ7 566-4JA80-0CA2	9850	1060	1290	2060	1600	335	190	280	560	2330	3490	300		
1RQ7 566-4JA80-0CC2	9900	1060	1290	2060	1600	600	190	280	560	2330	3760	300		
1RQ7 567-4JA80-0CA2	10350	1060	1290	2060	1600	335	190	280	560	2330	3490	300		
1RQ7 567-4JA80-0CC2	10400	1060	1290	2060	1600	600	190	280	560	2330	3760	300		
1RQ7 568-4JA80-0CA2	10750	1060	1290	2060	1600	335	190	280	560	2330	3490	300		
1RQ7 568-4JA80-0CC2	10800	1060	1290	2060	1600	600	190	280	560	2330	3760	300		
1RQ8 633-4JA80-0CG0	11300	1320	1520	2520	1600	375	200	280	630	2710	3530	350		



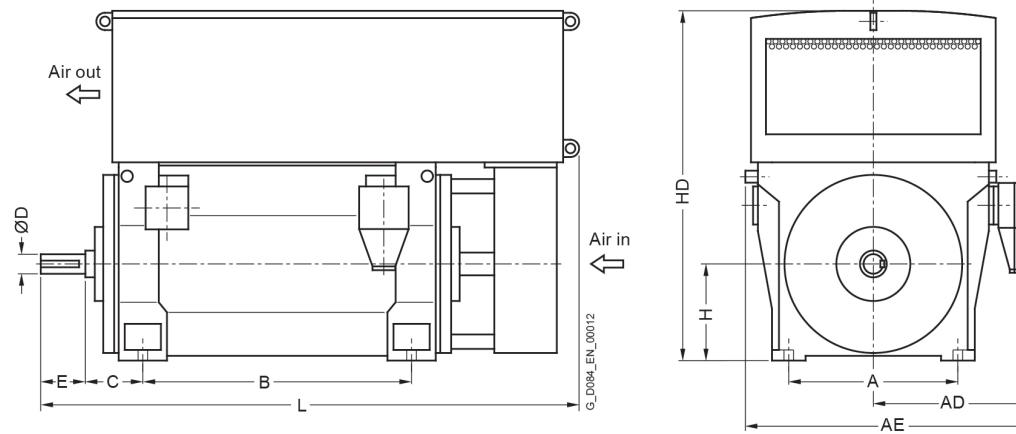
Motor type	Weight	Dimensions										
		A	AD	AE	B	C	D	E	H	HD	L	ML
	kg	mm	mm	mm	mm	mm	mm	mm	mm	mm	mm	mm
Innomotics HV M - 1RQ. IC611 10000 V / 50 Hz B3 (IM 1001) - Dimension drawings												
1RQ8 633-4JA80-0CJ0	11450	1320	1520	2520	1600	630	200	280	630	2710	3790	350
1RQ8 634-4JA80-0CG2	11850	1320	1520	2520	1600	375	200	280	630	2710	3530	350
1RQ8 634-4JA80-0CJ2	12000	1320	1520	2520	1600	630	200	280	630	2710	3790	350
1RQ8 637-4JA80-0CG0	12750	1320	1520	2520	1800	375	200	280	630	2710	3730	350
1RQ8 637-4JA80-0CJ0	12900	1320	1520	2520	1800	630	200	280	630	2710	3990	350
1RQ8 638-4JA80-0CG0	13400	1320	1520	2520	1800	375	200	280	630	2710	3730	350
1RQ8 638-4JA80-0CJ0	13500	1320	1520	2520	1800	630	200	280	630	2710	3990	350
1RQ8 712-4JA80-0CG0	15450	1500	1620	2720	2000	375	220	280	710	3090	3980	400
1RQ8 712-4JA80-0CJ0	15550	1500	1620	2720	2000	630	220	280	710	3090	4230	400
1RQ8 713-4JA80-0CG0	16150	1500	1620	2720	2000	375	220	280	710	3090	3980	400
1RQ8 713-4JA80-0CJ0	16250	1500	1620	2720	2000	630	220	280	710	3090	4230	400
1RQ8 714-4JA80-0CG0	16900	1500	1620	2720	2000	375	220	280	710	3090	3980	400
1RQ8 714-4JA80-0CJ0	17000	1500	1620	2720	2000	630	220	280	710	3090	4230	400
1RQ8 717-4JA80-0CG0	18250	1500	1620	2720	2240	375	220	280	710	3090	4220	400
1RQ8 717-4JA80-0CJ0	18400	1500	1620	2720	2240	630	220	280	710	3090	4470	400
1RQ8 718-4JA80-0CG0	18750	1500	1620	2720	2240	375	220	280	710	3090	4220	400
1RQ8 718-4JA80-0CJ0	18900	1500	1620	2720	2240	630	220	280	710	3090	4470	400
6-pole												
1RQ7 452-6JA80-0AA2	4550	850	1140	1760	1180	250	130	200	450	1900	2720	200
1RQ7 452-6JA80-0AC2	4600	850	1140	1760	1180	500	130	200	450	1900	2970	200
1RQ7 452-6JA80-0CA2	4700	850	1140	1760	1180	250	130	200	450	1900	2720	200
1RQ7 452-6JA80-0CC2	4750	850	1140	1760	1180	500	130	200	450	1900	2970	200
1RQ7 453-6JA80-0AA0	4700	850	1140	1760	1180	250	130	200	450	1900	2720	200



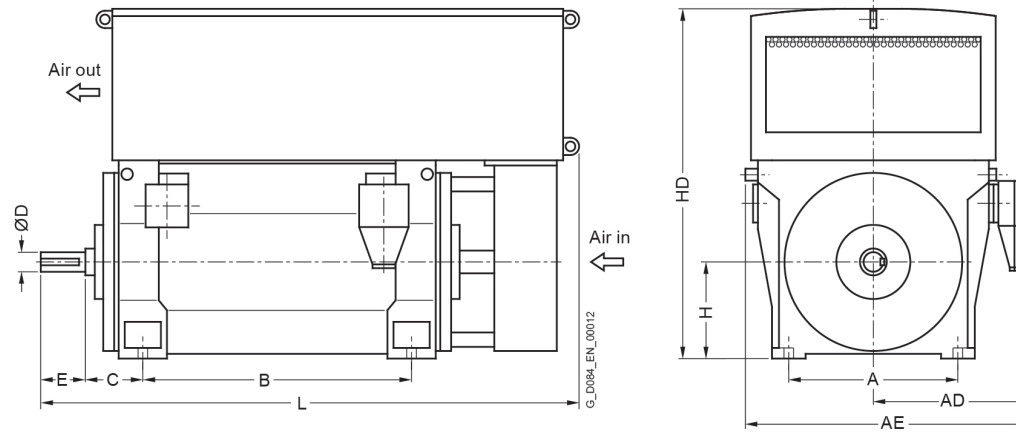
Motor type	Weight	Dimensions												
		A	AD	AE	B	C	D	E	H	HD	L	ML		
	kg	mm	mm	mm	mm	mm	mm	mm	mm	mm	mm	mm	mm	
Innomotics HV M - 1RQ. IC611 10000 V / 50 Hz B3 (IM 1001) - Dimension drawings														
1RQ7 453-6JA80-0AC0	4750	850	1140	1760	1180	500	130	200	450	1900	2970	200		
1RQ7 453-6JA80-0CA0	4850	850	1140	1760	1180	250	130	200	450	1900	2720	200		
1RQ7 453-6JA80-0CC0	4900	850	1140	1760	1180	500	130	200	450	1900	2970	200		
1RQ7 454-6JA80-0AA2	4900	850	1140	1760	1180	250	130	200	450	1900	2720	200		
1RQ7 454-6JA80-0AC2	4900	850	1140	1760	1180	500	130	200	450	1900	2970	200		
1RQ7 454-6JA80-0CA2	5050	850	1140	1760	1180	250	130	200	450	1900	2720	200		
1RQ7 454-6JA80-0CC2	5050	850	1140	1760	1180	500	130	200	450	1900	2970	200		
1RQ7 457-6JA80-0AA2	5350	850	1140	1760	1400	250	130	200	450	1900	2930	200		
1RQ7 457-6JA80-0AC2	5400	850	1140	1760	1400	500	130	200	450	1900	3180	200		
1RQ7 457-6JA80-0CA2	5550	850	1140	1760	1400	250	130	200	450	1900	2930	200		
1RQ7 457-6JA80-0CC2	5550	850	1140	1760	1400	500	130	200	450	1900	3180	200		
1RQ7 458-6JA80-0AA2	5650	850	1140	1760	1400	250	130	200	450	1900	2930	200		
1RQ7 458-6JA80-0AC2	5650	850	1140	1760	1400	500	130	200	450	1900	3180	200		
1RQ7 458-6JA80-0CA2	5850	850	1140	1760	1400	250	130	200	450	1900	2930	200		
1RQ7 458-6JA80-0CC2	5850	850	1140	1760	1400	500	130	200	450	1900	3180	200		
1RQ7 503-6JA80-0AA2	6850	950	1220	1920	1320	315	160	240	500	2210	3060	250		
1RQ7 503-6JA80-0AC2	6900	950	1220	1920	1320	560	170	240	500	2210	3300	250		
1RQ7 504-6JA80-0AA2	7100	950	1220	1920	1320	315	160	240	500	2210	3060	250		
1RQ7 504-6JA80-0AC2	7150	950	1220	1920	1320	560	170	240	500	2210	3300	250		
1RQ7 507-6JA80-0AA2	7800	950	1220	1920	1500	315	160	240	500	2210	3270	250		
1RQ7 507-6JA80-0AC2	7850	950	1220	1920	1500	560	170	240	500	2210	3510	250		
1RQ7 508-6JA80-0AA2	8100	950	1220	1920	1500	315	160	240	500	2210	3270	250		
1RQ7 508-6JA80-0AC2	8100	950	1220	1920	1500	560	170	240	500	2210	3510	250		



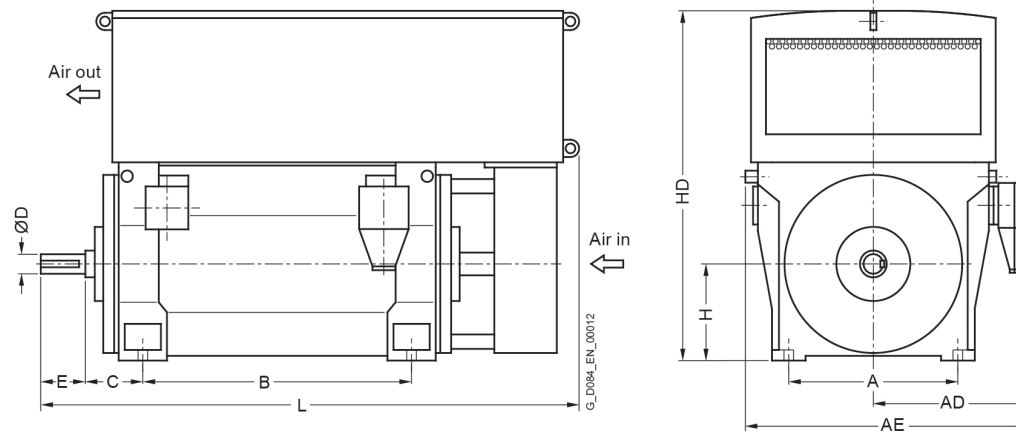
Motor type	Weight	Dimensions											
		A	AD	AE	B	C	D	E	H	HD	L	ML	
	kg	mm	mm	mm	mm	mm	mm	mm	mm	mm	mm	mm	mm
Innomotics HV M - 1RQ. IC611 10000 V / 50 Hz B3 (IM 1001) - Dimension drawings													
1RQ7 561-6JA80-0CA2	8500	1060	1290	2060	1400	335	190	280	560	2330	3260	300	
1RQ7 561-6JA80-0CC2	8550	1060	1290	2060	1400	600	190	280	560	2330	3530	300	
1RQ7 562-6JA80-0CA2	8800	1060	1290	2060	1400	335	190	280	560	2330	3260	300	
1RQ7 562-6JA80-0CC2	8850	1060	1290	2060	1400	600	190	280	560	2330	3530	300	
1RQ7 563-6JA80-0CA2	9100	1060	1290	2060	1400	335	190	280	560	2330	3260	300	
1RQ7 563-6JA80-0CC2	9150	1060	1290	2060	1400	600	190	280	560	2330	3530	300	
1RQ7 564-6JA80-0CA2	9500	1060	1290	2060	1400	335	190	280	560	2330	3260	300	
1RQ7 564-6JA80-0CC2	9500	1060	1290	2060	1400	600	190	280	560	2330	3530	300	
1RQ7 567-6JA80-0CA2	10350	1060	1290	2060	1600	335	190	280	560	2330	3490	300	
1RQ7 567-6JA80-0CC2	10400	1060	1290	2060	1600	600	190	280	560	2330	3760	300	
1RQ7 568-6JA80-0CA2	10950	1060	1290	2060	1600	335	190	280	560	2330	3490	300	
1RQ7 568-6JA80-0CC2	11000	1060	1290	2060	1600	600	190	280	560	2330	3760	300	
1RQ8 632-6JA80-0CG2	11450	1320	1520	2520	1600	375	200	280	630	2710	3530	350	
1RQ8 632-6JA80-0CJ2	11500	1320	1520	2520	1600	630	200	280	630	2710	3790	350	
1RQ8 633-6JA80-0CG0	11850	1320	1520	2520	1600	375	200	280	630	2710	3530	350	
1RQ8 633-6JA80-0CJ0	11900	1320	1520	2520	1600	630	200	280	630	2710	3790	350	
1RQ8 634-6JA80-0CG2	12400	1320	1520	2520	1600	375	200	280	630	2710	3530	350	
1RQ8 634-6JA80-0CJ2	12450	1320	1520	2520	1600	630	200	280	630	2710	3790	350	
1RQ8 637-6JA80-0CG0	13200	1320	1520	2520	1800	375	200	280	630	2710	3730	350	
1RQ8 637-6JA80-0CJ0	13250	1320	1520	2520	1800	630	200	280	630	2710	3990	350	
1RQ8 638-6JA80-0CG2	13750	1320	1520	2520	1800	375	200	280	630	2710	3730	350	
1RQ8 638-6JA80-0CJ2	13800	1320	1520	2520	1800	630	200	280	630	2710	3990	350	
1RQ8 712-6JA80-0CG0	15450	1500	1620	2720	2000	375	220	280	710	3090	3980	400	



Motor type	Weight	Dimensions										
		A	AD	AE	B	C	D	E	H	HD	L	ML
	kg	mm	mm	mm	mm	mm	mm	mm	mm	mm	mm	mm
Innomotics HV M - 1RQ. IC611 10000 V / 50 Hz B3 (IM 1001) - Dimension drawings												
1RQ8 712-6JA80-0CJ0	15600	1500	1620	2720	2000	630	220	280	710	3090	4230	400
1RQ8 713-6JA80-0CG2	16400	1500	1620	2720	2000	375	220	280	710	3090	3980	400
1RQ8 713-6JA80-0CJ2	16550	1500	1620	2720	2000	630	220	280	710	3090	4230	400
1RQ8 714-6JA80-0CG0	17450	1500	1620	2720	2000	375	220	280	710	3090	3980	400
1RQ8 714-6JA80-0CJ0	17550	1500	1620	2720	2000	630	220	280	710	3090	4230	400
1RQ8 717-6JA80-0CG0	19000	1500	1620	2720	2240	375	220	280	710	3090	4220	400
1RQ8 717-6JA80-0CJ0	19100	1500	1620	2720	2240	630	220	280	710	3090	4470	400
1RQ8 718-6JA80-0CG0	20000	1500	1620	2720	2240	375	220	280	710	3090	4220	400
1RQ8 718-6JA80-0CJ0	20150	1500	1620	2720	2240	630	220	280	710	3090	4470	400
8-pole												
1RQ7 451-8JA80-0AA0	4550	850	1140	1760	1180	250	130	200	450	1900	2720	200
1RQ7 451-8JA80-0AC0	4550	850	1140	1760	1180	500	130	200	450	1900	2970	200
1RQ7 452-8JA80-0AA0	4700	850	1140	1760	1180	250	130	200	450	1900	2720	200
1RQ7 452-8JA80-0AC0	4700	850	1140	1760	1180	500	130	200	450	1900	2970	200
1RQ7 453-8JA80-0AA2	4900	850	1140	1760	1180	250	130	200	450	1900	2720	200
1RQ7 453-8JA80-0AC2	4900	850	1140	1760	1180	500	130	200	450	1900	2970	200
1RQ7 454-8JA80-0AA2	5150	850	1140	1760	1180	250	130	200	450	1900	2720	200
1RQ7 454-8JA80-0AC2	5150	850	1140	1760	1180	500	130	200	450	1900	2970	200
1RQ7 457-8JA80-0AA2	5650	850	1140	1760	1400	250	130	200	450	1900	2930	200
1RQ7 457-8JA80-0AC2	5650	850	1140	1760	1400	500	130	200	450	1900	3180	200
1RQ7 458-8JA80-0AA2	5900	850	1140	1760	1400	250	130	200	450	1900	2930	200
1RQ7 458-8JA80-0AC2	5900	850	1140	1760	1400	500	130	200	450	1900	3180	200
1RQ7 502-8JA80-0CA2	6800	950	1220	1920	1320	315	160	240	500	2210	3060	250



Motor type	Weight	Dimensions												
		A	AD	AE	B	C	D	E	H	HD	L	ML		
	kg	mm	mm	mm	mm	mm	mm	mm	mm	mm	mm	mm	mm	
Innomotics HV M - 1RQ. IC611 10000 V / 50 Hz B3 (IM 1001) - Dimension drawings														
1RQ7 502-8JA80-0CC2	6800	950	1220	1920	1320	560	170	240	500	2210	3300	250		
1RQ7 503-8JA80-0AA2	6850	950	1220	1920	1320	315	160	240	500	2210	3060	250		
1RQ7 503-8JA80-0AC2	6850	950	1220	1920	1320	560	170	240	500	2210	3300	250		
1RQ7 503-8JA80-0CA2	7050	950	1220	1920	1320	315	160	240	500	2210	3060	250		
1RQ7 503-8JA80-0CC2	7100	950	1220	1920	1320	560	170	240	500	2210	3300	250		
1RQ7 504-8JA80-0AA2	7100	950	1220	1920	1320	315	160	240	500	2210	3060	250		
1RQ7 504-8JA80-0AC2	7150	950	1220	1920	1320	560	170	240	500	2210	3300	250		
1RQ7 504-8JA80-0CA2	7350	950	1220	1920	1320	315	160	240	500	2210	3060	250		
1RQ7 504-8JA80-0CC2	7400	950	1220	1920	1320	560	170	240	500	2210	3300	250		
1RQ7 507-8JA80-0AA2	7800	950	1220	1920	1500	315	160	240	500	2210	3270	250		
1RQ7 507-8JA80-0AC2	7800	950	1220	1920	1500	560	170	240	500	2210	3510	250		
1RQ7 507-8JA80-0CA2	8050	950	1220	1920	1500	315	160	240	500	2210	3270	250		
1RQ7 507-8JA80-0CC2	8100	950	1220	1920	1500	560	170	240	500	2210	3510	250		
1RQ7 508-8JA80-0AA2	8150	950	1220	1920	1500	315	160	240	500	2210	3270	250		
1RQ7 508-8JA80-0AC2	8150	950	1220	1920	1500	560	170	240	500	2210	3510	250		
1RQ7 508-8JA80-0CA2	8400	950	1220	1920	1500	315	160	240	500	2210	3270	250		
1RQ7 508-8JA80-0CC2	8450	950	1220	1920	1500	560	170	240	500	2210	3510	250		
1RQ7 563-8JA80-0CA2	8900	1060	1290	2060	1400	335	190	280	560	2330	3260	300		
1RQ7 563-8JA80-0CC2	8950	1060	1290	2060	1400	600	190	280	560	2330	3530	300		
1RQ7 564-8JA80-0CA2	9350	1060	1290	2060	1400	335	190	280	560	2330	3260	300		
1RQ7 564-8JA80-0CC2	9400	1060	1290	2060	1400	600	190	280	560	2330	3530	300		
1RQ7 567-8JA80-0CA2	10300	1060	1290	2060	1600	335	190	280	560	2330	3490	300		
1RQ7 567-8JA80-0CC2	10350	1060	1290	2060	1600	600	190	280	560	2330	3760	300		



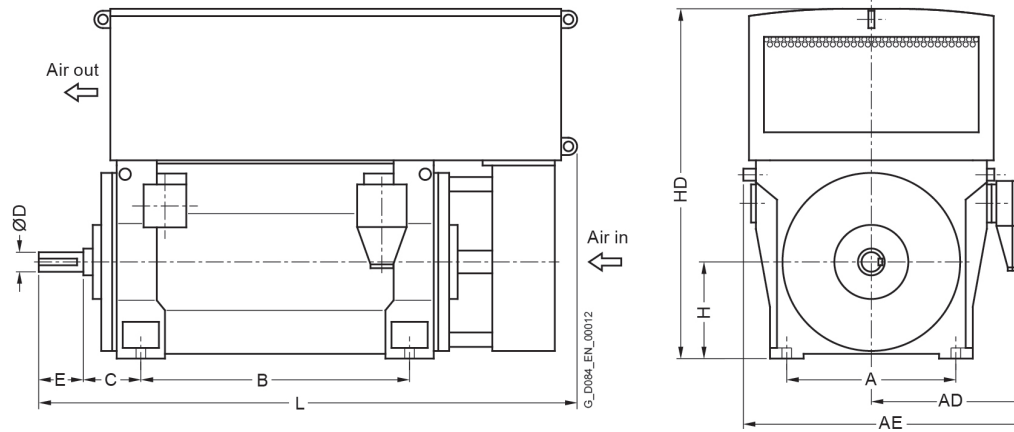
Motor type	Weight	Dimensions										
		A	AD	AE	B	C	D	E	H	HD	L	ML
	kg	mm	mm	mm	mm	mm	mm	mm	mm	mm	mm	mm
Innomotics HV M - 1RQ. IC611 10000 V / 50 Hz B3 (IM 1001) - Dimension drawings												
1RQ7 568-8JA80-0CA2	10800	1060	1290	2060	1600	335	190	280	560	2330	3490	300
1RQ7 568-8JA80-0CC2	10850	1060	1290	2060	1600	600	190	280	560	2330	3760	300
1RQ8 633-8JA80-0CG2	10700	1320	1520	2520	1600	375	200	280	630	2570	3530	350
1RQ8 633-8JA80-0CJ2	10750	1320	1520	2520	1600	630	200	280	630	2570	3790	350
1RQ8 634-8JA80-0CG0	11550	1320	1520	2520	1600	375	200	280	630	2570	3530	350
1RQ8 634-8JA80-0CJ0	11600	1320	1520	2520	1600	630	200	280	630	2570	3790	350
1RQ8 637-8JA80-0CG0	12750	1320	1520	2520	1800	375	200	280	630	2570	3730	350
1RQ8 637-8JA80-0CJ0	12800	1320	1520	2520	1800	630	200	280	630	2570	3990	350
1RQ8 638-8JA80-0CG0	13450	1320	1520	2520	1800	375	200	280	630	2570	3730	350
1RQ8 638-8JA80-0CJ0	13500	1320	1520	2520	1800	630	200	280	630	2570	3990	350
1RQ8 713-8JA80-0CG0	15800	1500	1620	2720	2000	375	220	280	710	3090	3980	400
1RQ8 713-8JA80-0CJ0	15950	1500	1620	2720	2000	630	220	280	710	3090	4230	400
1RQ8 714-8JA80-0CG0	16900	1500	1620	2720	2000	375	220	280	710	3090	3980	400
1RQ8 714-8JA80-0CJ0	17050	1500	1620	2720	2000	630	220	280	710	3090	4230	400
1RQ8 717-8JA80-0CG0	18600	1500	1620	2720	2240	375	220	280	710	3090	4220	400
1RQ8 717-8JA80-0CJ0	18750	1500	1620	2720	2240	630	220	280	710	3090	4470	400
1RQ8 718-8JA80-0CG0	19600	1500	1620	2720	2240	375	220	280	710	3090	4220	400
1RQ8 718-8JA80-0CJ0	19750	1500	1620	2720	2240	630	220	280	710	3090	4470	400

Innomotics HV M - 1RQ. IC611 11000 V / 50 Hz B3 (IM 1001)																					
Rated power IEC	Article No.	Speed	Rated current				Efficiency				Power factor				Torque	Breakdown torque	Locked torque	Locked rotor current	Inertia		
			I_R	5/4 load	4/4 load	3/4 load	2/4 load	5/4 load	4/4 load	3/4 load	2/4 load	5/4 load	4/4 load	3/4 load					2/4 load	T_R	T_B/ T_R
kW		rpm	A	%	%	%	%	cos φ	cos φ	cos φ	cos φ	Nm	[-]	[-]	[-]	kgm ²	kgm ²	[-]			
2-pole: n_{sync} = 3000 rpm at 50 Hz																					
1150	1RQ7 453-2JA90-0A.0	2982	73	95.1	95.5	95.3	94.3	0.86	0.86	0.83	0.74	3683	2.80	0.60	6.5	10	60	o.r.			
1150	1RQ7 453-2JA90-0C.0	2983	71	95.1	95.5	95.3	94.3	0.89	0.89	0.87	0.82	3681	2.85	0.70	6.5	14	70	o.r.			
1250	1RQ7 454-2JA90-0A.0	2982	78	95.2	95.7	95.6	94.9	0.88	0.88	0.86	0.81	4003	2.80	0.60	6.5	11	60	o.r.			
1250	1RQ7 454-2JA90-0C.0	2983	76	95.2	95.6	95.4	94.5	0.90	0.90	0.89	0.84	4002	2.90	0.75	6.5	15	70	o.r.			
1440	1RQ7 457-2JA90-0A.0	2982	90	95.4	95.8	95.7	94.8	0.88	0.88	0.84	0.77	4611	2.85	0.65	6.5	12	70	o.r.			
1450	1RQ7 457-2JA90-0C.0	2983	88	95.4	95.8	95.7	94.9	0.90	0.90	0.89	0.84	4642	2.90	0.75	6.5	16	95	o.r.			
1540	1RQ7 458-2JA90-0A.0	2982	93	95.6	96.1	96.1	95.5	0.90	0.90	0.89	0.85	4932	2.85	0.65	6.5	13	70	o.r.			
1600	1RQ7 458-2JA90-0C.0	2983	96	95.7	96.1	96.0	95.2	0.90	0.91	0.90	0.85	5122	3.00	0.75	6.5	17	105	o.r.			
1750	1RQ7 502-2JA90-0C.0	2979	108	95.5	95.8	95.9	95.4	0.88	0.88	0.87	0.82	5610	2.55	0.60	5.0	18	122	o.r.			
1950	1RQ7 503-2JA90-0C.0	2979	120	95.9	96.2	96.3	95.9	0.89	0.89	0.89	0.85	6251	2.60	0.70	5.1	20	132	o.r.			
1800	1RQ7 503-2JA90-0A.0	2974	110	95.6	96.0	96.2	96.0	0.89	0.89	0.89	0.85	5780	2.65	0.60	5.3	15	34	o.r.			
1900	1RQ7 504-2JA90-0A.0	2975	116	95.7	96.1	96.3	96.0	0.89	0.89	0.89	0.85	6099	2.70	0.70	5.3	15	34	o.r.			
2300	1RQ7 507-2JA90-0C.0	2983	138	96.3	96.5	96.6	96.1	0.90	0.90	0.89	0.84	7363	3.00	0.85	6.1	24	146	o.r.			
2150	1RQ7 507-2JA90-0A.0	2976	130	96.0	96.4	96.5	96.3	0.90	0.90	0.90	0.86	6899	2.90	0.70	5.9	18	40	o.r.			
2450	1RQ7 508-2JA90-0C.0	2985	146	96.5	96.7	96.7	96.3	0.91	0.91	0.90	0.84	7838	3.30	0.95	6.8	27	162	o.r.			
2350	1RQ7 508-2JA90-0A.0	2976	140	96.2	96.6	96.8	96.7	0.91	0.91	0.91	0.88	7541	2.80	0.80	5.8	20	42	o.r.			
2880	1RQ7 562-2JA90-0CC0	2986	176	96.1	96.2	96.0	95.3	0.89	0.89	0.87	0.82	9210	2.90	0.80	6.5	41	240	o.r.			
3070	1RQ7 563-2JA90-0CC0	2986	186	96.3	96.3	96.2	95.5	0.89	0.90	0.88	0.84	9818	2.85	0.75	6.5	44	250	o.r.			
3490	1RQ7 564-2JA90-0CC0	2987	215	96.1	96.2	95.8	94.9	0.89	0.89	0.86	0.79	11157	3.20	0.85	6.5	47	230	o.r.			
4000	1RQ7 567-2JA90-0CC0	2986	240	96.4	96.4	96.3	95.5	0.90	0.91	0.89	0.84	12792	2.95	0.75	6.5	52	280	o.r.			
4250	1RQ7 568-2JA90-0CC0	2988	255	96.6	96.5	96.4	95.6	0.91	0.91	0.89	0.83	13583	3.30	0.80	6.8	58	245	o.r.			
4400	1RQ8 632-2JA90-0CJ0	2982	270	95.9	96.3	95.9	95.0	0.86	0.89	0.89	0.88	14090	2.00	0.55	4.8	75	310	o.r.			
4950	1RQ8 633-2JA90-0CJ0	2982	305	96.1	96.5	96.2	95.4	0.87	0.89	0.90	0.89	15851	2.05	0.55	4.9	82	300	o.r.			
5400	1RQ8 634-2JA90-0CJ0	2983	325	96.3	96.7	96.4	95.5	0.88	0.90	0.91	0.90	17287	2.20	0.60	5.2	90	300	o.r.			
6000	1RQ8 637-2JA90-0CJ0	2984	355	96.5	96.9	96.6	95.8	0.89	0.91	0.91	0.90	19201	2.35	0.65	5.5	99	310	o.r.			
6500	1RQ8 638-2JA90-0CJ0	2986	380	96.7	97.0	96.7	95.9	0.90	0.92	0.92	0.90	20787	2.55	0.65	6.0	107	320	o.r.			
7300	1RQ8 712-2JA90-0CJ0	2988	445	96.6	96.6	96.3	95.2	0.87	0.89	0.89	0.87	23330	2.15	0.60	5.1	149	250	o.r.			
7650	1RQ8 713-2JA90-0CJ0	2989	455	96.7	96.7	96.3	95.3	0.89	0.91	0.90	0.87	24440	2.45	0.70	5.8	160	240	o.r.			
8150	1RQ8 714-2JA90-0CJ0	2990	485	96.8	96.8	96.4	95.4	0.90	0.91	0.90	0.87	26029	2.55	0.60	6.1	172	260	o.r.			
8950	1RQ8 716-2JA90-0CJ0	2990	540	97.0	96.9	96.5	95.5	0.89	0.90	0.89	0.85	28584	2.45	0.55	5.9	183	300	o.r.			
9600	1RQ8 717-2JA90-0CJ0	2989	560	97.1	97.1	96.8	96.0	0.91	0.92	0.92	0.90	30670	2.45	0.60	5.8	200	250	o.r.			
10100	1RQ8 718-2JA90-0CJ0	2989	590	97.2	97.2	97.0	96.2	0.90	0.92	0.91	0.89	32268	2.35	0.50	5.7	216	310	o.r.			
4-pole: n_{sync} = 1500 rpm at 50 Hz																					
1200	1RQ7 453-4JA90-0C.0	1488	76	95.0	95.6	95.6	95.1	0.87	0.87	0.83	0.74	7701	2.70	0.60	5.8	23	315	o.r.			
1180	1RQ7 453-4JA90-0A.0	1485	75	94.8	95.4	95.5	95.1	0.87	0.87	0.83	0.75	7588	2.65	0.75	6.0	17	335	o.r.			
1240	1RQ7 454-4JA90-0A.0	1486	78	95.0	95.6	95.6	95.1	0.88	0.87	0.82	0.73	7968	2.75	0.85	6.5	19	335	o.r.			

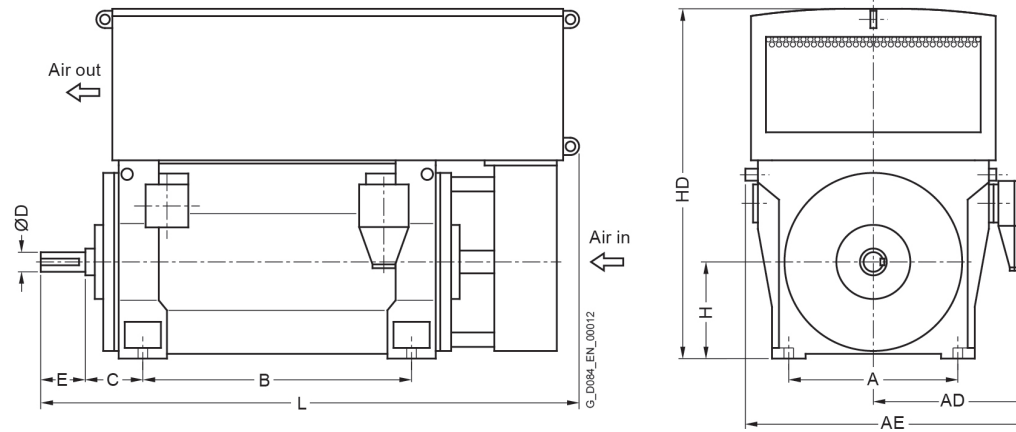
Innomotics HV M - 1RQ. IC611 11000 V / 50 Hz B3 (IM 1001)																		
Rated power IEC	Article No.	Speed	Rated current I_R	Efficiency				Power factor				Torque T_R	Breakdown torque T_B/ T_R	Locked torque T_{LR}/ T_R	Locked rotor current I_{LR}/ I_R	Inertia		
				5/4 load	4/4 load	3/4 load	2/4 load	5/4 load	4/4 load	3/4 load	2/4 load					motor	external	Startup max T/TR
kW		rpm	A	%	%	%	%	$\cos \varphi$	$\cos \varphi$	$\cos \varphi$	$\cos \varphi$	Nm	[-]	[-]	[-]	kgm ²	kgm ²	[-]
1290	1RQ7 454-4JA90-0C.0	1488	80	95.2	95.7	95.8	95.3	0.88	0.88	0.84	0.77	8279	2.70	0.65	6.0	25	320	o.r.
1520	1RQ7 457-4JA90-0C.0	1489	94	95.6	96.1	96.1	95.6	0.89	0.88	0.85	0.77	9748	2.90	0.70	6.5	30	415	o.r.
1400	1RQ7 457-4JA90-0A.0	1486	85	95.2	95.8	96.1	95.8	0.90	0.90	0.88	0.83	8997	2.75	0.85	6.5	22	420	o.r.
1670	1RQ7 458-4JA90-0C.0	1489	102	95.7	96.2	96.3	95.9	0.89	0.89	0.86	0.79	10710	2.90	0.70	6.5	32	480	o.r.
1540	1RQ7 458-4JA90-0A.0	1486	94	95.4	96.0	96.2	96.0	0.90	0.90	0.88	0.83	9896	2.80	0.85	6.5	24	420	o.r.
1870	1RQ7 503-4JA90-0A.0	1486	114	95.6	96.1	96.5	96.2	0.89	0.89	0.89	0.85	12017	2.40	0.80	5.3	37	615	o.r.
1900	1RQ7 503-4JA90-0C.0	1488	116	95.6	96.2	96.5	96.2	0.88	0.89	0.89	0.86	12193	2.40	0.60	5.0	45	570	o.r.
2100	1RQ7 504-4JA90-0C.0	1491	132	96.1	96.4	96.4	95.8	0.88	0.86	0.83	0.75	13450	2.90	0.70	5.9	50	705	o.r.
1950	1RQ7 504-4JA90-0A.0	1487	118	95.6	96.2	96.5	96.3	0.89	0.90	0.90	0.87	12523	2.50	0.90	5.5	40	615	o.r.
2260	1RQ7 507-4JA90-0A.0	1487	136	96.0	96.5	96.7	96.5	0.90	0.90	0.89	0.85	14513	2.65	0.95	6.0	46	610	o.r.
2300	1RQ7 507-4JA90-0C.0	1489	138	96.1	96.6	96.8	96.5	0.90	0.90	0.89	0.86	14750	2.65	0.70	5.5	56	760	o.r.
2500	1RQ7 508-4JA90-0C.0	1490	152	96.3	96.6	96.8	96.4	0.89	0.89	0.88	0.83	16022	2.65	0.65	5.6	61	660	o.r.
2350	1RQ7 508-4JA90-0A.0	1487	142	96.0	96.5	96.8	96.6	0.90	0.90	0.90	0.87	15091	2.65	0.95	6.0	50	750	o.r.
2850	1RQ7 562-4JA90-0C.0	1490	176	96.2	96.6	96.9	96.6	0.87	0.88	0.87	0.83	18265	2.25	0.60	5.4	74	865	o.r.
3000	1RQ7 563-4JA90-0C.0	1491	185	96.3	96.7	96.9	96.6	0.88	0.88	0.87	0.83	19214	2.40	0.65	5.8	80	915	o.r.
3350	1RQ7 564-4JA90-0C.0	1491	204	96.4	96.8	97.1	96.9	0.88	0.89	0.89	0.86	21455	2.30	0.65	5.5	90	1020	o.r.
3600	1RQ7 566-4JA90-0C.0	1492	216	96.6	97.0	97.2	97.0	0.89	0.90	0.89	0.86	23041	2.50	0.75	6.0	100	1125	o.r.
3960	1RQ7 567-4JA90-0C.0	1492	238	96.8	97.1	97.3	97.1	0.90	0.90	0.90	0.86	25345	2.55	0.75	6.3	110	1215	o.r.
4260	1RQ7 568-4JA90-0C.0	1492	256	96.9	97.2	97.4	97.2	0.90	0.90	0.89	0.85	27265	2.65	0.75	6.5	119	1325	o.r.
5000	1RQ8 633-4JA90-0C.0	1492	305	96.5	96.8	96.7	96.1	0.88	0.89	0.88	0.83	32002	2.55	0.55	6.0	151	790	o.r.
5250	1RQ8 634-4JA90-0C.0	1493	320	96.6	96.8	96.7	96.1	0.88	0.89	0.87	0.81	33579	2.60	0.55	6.0	165	970	o.r.
5900	1RQ8 637-4JA90-0C.0	1493	355	96.8	97.0	97.0	96.4	0.89	0.90	0.88	0.83	37737	2.60	0.55	6.0	181	1000	o.r.
6500	1RQ8 638-4JA90-0C.0	1493	400	96.9	97.1	97.0	96.4	0.88	0.88	0.85	0.79	41574	2.60	0.55	6.0	196	1140	o.r.
6900	1RQ8 712-4JA90-0C.0	1492	415	96.7	97.1	97.1	96.7	0.89	0.90	0.90	0.87	44162	2.35	0.50	5.6	259	1000	o.r.
7400	1RQ8 713-4JA90-0C.0	1492	440	96.9	97.2	97.3	96.8	0.89	0.91	0.90	0.88	47362	2.45	0.50	5.9	284	1110	o.r.
8050	1RQ8 714-4JA90-0C.0	1492	475	97.0	97.3	97.4	97.0	0.90	0.91	0.91	0.88	51523	2.55	0.55	6.0	312	1200	o.r.
8700	1RQ8 717-4JA90-0C.0	1493	520	97.1	97.4	97.4	97.0	0.90	0.91	0.91	0.88	55646	2.60	0.55	6.0	344	1410	o.r.
9350	1RQ8 718-4JA90-0C.0	1493	560	97.2	97.5	97.5	97.0	0.89	0.90	0.89	0.84	59803	2.60	0.50	6.0	360	1540	o.r.
6-pole: $n_{sync} = 1000$ rpm at 50 Hz																		
830	1RQ7 452-6JA90-0A.0	990	55	94.1	94.9	95.2	95.0	0.84	0.84	0.80	0.70	8006	2.45	0.80	5.5	20	385	o.r.
860	1RQ7 452-6JA90-0C.0	990	56	93.9	94.9	95.2	95.1	0.85	0.85	0.83	0.75	8295	2.35	0.70	5.4	27	465	o.r.
900	1RQ7 453-6JA90-0A.0	990	58	94.3	95.1	95.4	95.2	0.85	0.85	0.81	0.72	8681	2.45	0.85	5.5	22	395	o.r.
920	1RQ7 453-6JA90-0C.0	991	59	94.3	95.1	95.3	95.2	0.85	0.86	0.82	0.74	8865	2.50	0.80	5.5	30	470	o.r.
980	1RQ7 454-6JA90-0A.0	990	63	94.5	95.3	95.6	95.4	0.85	0.86	0.82	0.74	9453	2.45	0.85	5.5	24	450	o.r.
1000	1RQ7 454-6JA90-0C.0	991	64	94.5	95.2	95.5	95.4	0.86	0.86	0.83	0.76	9636	2.50	0.80	5.5	33	550	o.r.
1080	1RQ7 457-6JA90-0A.0	990	68	94.6	95.4	95.8	95.7	0.86	0.87	0.84	0.77	10417	2.40	0.85	5.5	28	530	o.r.
1100	1RQ7 457-6JA90-0C.0	991	70	94.6	95.4	95.7	95.6	0.87	0.87	0.84	0.78	10600	2.50	0.80	5.5	36	645	o.r.

Innomotics HV M - 1RQ. IC611 11000 V / 50 Hz B3 (IM 1001)																		
Rated power IEC	Article No.	Speed	Rated current I_R	Efficiency				Power factor				Torque T_R	Breakdown torque T_B/ T_R	Locked rotor torque T_{LR}/ T_R	Locked rotor current I_{LR}/ I_R	Inertia		
				5/4 load	4/4 load	3/4 load	2/4 load	5/4 load	4/4 load	3/4 load	2/4 load					motor	external	Startup max T/TR
kW		rpm	A	%	%	%	%	cos φ	cos φ	cos φ	cos φ	Nm	[-]	[-]	[-]	kgm ²	kgm ²	[-]
1200	1RQ7 458-6JA90-0C.0	991	75	94.8	95.6	95.9	95.9	0.87	0.88	0.85	0.79	11563	2.50	0.80	5.5	41	740	o.r.
1180	1RQ7 458-6JA90-0A.0	990	74	94.8	95.6	96.0	96.0	0.87	0.87	0.85	0.79	11382	2.35	0.85	5.5	31	615	o.r.
1400	1RQ7 502-6JA90-0C.0	993	90	95.5	96.0	96.1	95.8	0.85	0.85	0.80	0.71	13463	2.65	0.85	5.4	54	1130	o.r.
1350	1RQ7 502-6JA90-0A.0	991	86	95.0	95.7	96.1	95.9	0.85	0.86	0.84	0.78	13009	2.35	0.90	5.0	42	750	o.r.
1600	1RQ7 503-6JA90-0C.0	993	102	95.6	96.2	96.3	96.0	0.85	0.85	0.81	0.72	15387	2.65	0.90	5.4	60	1250	o.r.
1530	1RQ7 503-6JA90-0A.0	991	96	95.1	95.8	96.2	96.1	0.85	0.87	0.85	0.79	14743	2.25	0.90	4.9	46	860	o.r.
1630	1RQ7 504-6JA90-0A.0	992	104	95.5	96.0	96.3	96.0	0.85	0.85	0.82	0.72	15691	2.65	1.10	5.7	51	980	o.r.
1750	1RQ7 504-6JA90-0C.0	993	112	95.8	96.3	96.4	96.1	0.85	0.85	0.81	0.72	16829	2.70	0.85	5.4	66	1400	o.r.
1920	1RQ7 507-6JA90-0C.0	994	124	96.0	96.5	96.5	96.2	0.84	0.84	0.79	0.69	18445	2.75	0.85	5.4	74	1600	o.r.
1830	1RQ7 507-6JA90-0A.0	992	114	95.6	96.1	96.5	96.3	0.86	0.87	0.85	0.78	17616	2.50	1.00	5.4	58	1150	o.r.
2000	1RQ7 508-6JA90-0A.0	992	126	95.8	96.3	96.7	96.5	0.86	0.87	0.84	0.77	19253	2.60	0.95	5.6	63	1350	o.r.
2050	1RQ7 508-6JA90-0C.0	994	128	96.0	96.6	96.7	96.5	0.87	0.87	0.84	0.78	19694	2.65	0.85	5.5	81	1800	o.r.
2240	1RQ7 561-6JA90-0C.0	993	144	95.7	96.3	96.3	96.0	0.85	0.85	0.83	0.76	21541	2.55	0.70	5.6	96	1090	o.r.
2600	1RQ7 562-6JA90-0C.0	993	166	96.0	96.5	96.5	96.2	0.84	0.85	0.83	0.75	25003	2.50	0.65	5.5	105	1450	o.r.
2800	1RQ7 564-6JA90-0C.0	993	174	96.1	96.6	96.7	96.5	0.86	0.87	0.85	0.81	26927	2.50	0.65	5.6	123	1550	o.r.
3150	1RQ7 567-6JA90-0C.0	994	198	96.3	96.8	96.8	96.5	0.86	0.86	0.84	0.77	30262	2.75	0.70	6.0	134	1790	o.r.
3300	1RQ7 568-6JA90-0C.0	995	210	96.5	96.9	96.8	96.4	0.86	0.86	0.83	0.75	31671	3.05	0.80	6.5	150	2090	o.r.
3750	1RQ8 632-6JA90-0C.0	993	235	96.1	96.5	96.5	95.8	0.85	0.86	0.82	0.73	36062	2.45	0.60	5.5	193	2610	o.r.
4000	1RQ8 633-6JA90-0C.0	994	255	96.2	96.5	96.5	95.9	0.85	0.85	0.81	0.71	38428	2.50	0.60	5.5	208	2890	o.r.
4400	1RQ8 634-6JA90-0C.0	994	280	96.4	96.7	96.7	96.1	0.85	0.86	0.82	0.74	42271	2.50	0.60	5.5	227	3060	o.r.
4750	1RQ8 637-6JA90-0C.0	994	295	96.4	96.7	96.8	96.2	0.86	0.87	0.83	0.75	45633	2.50	0.60	5.5	245	3230	o.r.
4900	1RQ8 638-6JA90-0C.0	994	310	96.5	96.8	96.8	96.2	0.86	0.86	0.82	0.73	47074	2.55	0.60	5.5	263	3890	o.r.
5550	1RQ8 712-6JA90-0C.0	994	345	96.7	97.0	97.1	96.6	0.86	0.87	0.84	0.77	53319	2.50	0.55	5.5	331	2970	o.r.
6050	1RQ8 713-6JA90-0C.0	994	375	96.8	97.2	97.2	96.8	0.86	0.87	0.85	0.79	58122	2.40	0.55	5.5	373	3500	o.r.
6550	1RQ8 714-6JA90-0C.0	995	400	96.9	97.2	97.3	96.9	0.86	0.88	0.86	0.80	62862	2.40	0.55	5.5	422	4160	o.r.
7200	1RQ8 717-6JA90-0C.0	995	440	97.0	97.3	97.4	97.0	0.87	0.88	0.86	0.80	69100	2.45	0.50	5.5	475	4860	o.r.
7750	1RQ8 718-6JA90-0C.0	995	470	97.1	97.4	97.5	97.2	0.88	0.89	0.87	0.82	74379	2.45	0.55	5.5	522	5280	o.r.
8-pole: n_{sync} = 750 rpm at 50 Hz																		
520	1RQ7 451-8JA90-0A.0	743	37	93.2	94.2	94.4	93.8	0.80	0.78	0.70	0.55	6683	2.50	0.80	5.5	23	410	o.r.
540	1RQ7 451-8JA90-0C.0	743	38	93.3	94.2	94.5	94.0	0.82	0.80	0.73	0.59	6940	2.70	0.75	5.5	30	490	o.r.
580	1RQ7 452-8JA90-0A.0	743	40	93.4	94.4	94.7	94.4	0.81	0.80	0.73	0.59	7454	2.50	0.80	5.5	25	470	o.r.
590	1RQ7 452-8JA90-0C.0	743	40	93.5	94.5	94.7	94.4	0.83	0.81	0.75	0.62	7583	2.65	0.75	5.5	32	600	o.r.
660	1RQ7 453-8JA90-0A.0	743	46	94.0	94.9	95.1	94.7	0.81	0.79	0.72	0.57	8483	2.55	0.85	5.5	28	750	o.r.
680	1RQ7 453-8JA90-0C.0	743	46	94.1	94.9	95.1	94.8	0.82	0.81	0.74	0.61	8740	2.75	0.80	5.5	36	890	o.r.
750	1RQ7 454-8JA90-0A.0	744	53	94.3	95.1	95.2	94.7	0.80	0.78	0.68	0.52	9626	2.75	0.95	5.5	31	890	o.r.
760	1RQ7 454-8JA90-0C.0	744	52	94.4	95.2	95.3	94.8	0.81	0.80	0.71	0.56	9755	2.95	0.80	5.8	40	1060	o.r.
830	1RQ7 457-8JA90-0A.0	744	58	94.5	95.2	95.4	95.0	0.81	0.79	0.71	0.57	10653	2.75	0.95	5.5	35	1020	o.r.

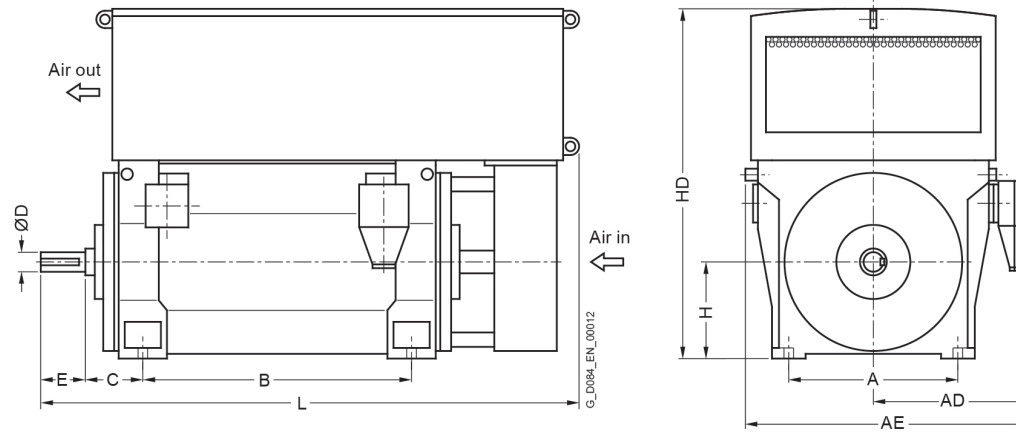
Innomotics HV M - 1RQ. IC611 11000 V / 50 Hz B3 (IM 1001)																		
Rated power IEC	Article No.	Speed	Rated current I_R	Efficiency				Power factor				Torque T_R	Breakdown torque T_B/ T_R	Locked torque T_{LR}/ T_R	Locked rotor current I_{LR}/ I_R	Inertia		
				5/4 load	4/4 load	3/4 load	2/4 load	5/4 load	4/4 load	3/4 load	2/4 load					motor	external	Startup max T/TR
kW		rpm	A	%	%	%	%	$\cos \varphi$	$\cos \varphi$	$\cos \varphi$	$\cos \varphi$	Nm	[-]	[-]	[-]	kgm ²	kgm ²	[-]
840	1RQ7 457-8JA90-0C.0	744	58	94.6	95.3	95.4	95.0	0.82	0.80	0.73	0.59	10781	2.95	0.80	5.8	45	1220	o.r.
880	1RQ7 458-8JA90-0A.0	744	61	94.6	95.4	95.5	95.0	0.81	0.79	0.71	0.56	11295	2.80	0.95	5.7	39	1200	o.r.
900	1RQ7 458-8JA90-0C.0	744	62	94.7	95.4	95.5	95.1	0.82	0.80	0.73	0.59	11552	2.95	0.80	5.8	50	1330	o.r.
1000	1RQ7 501-8JA90-0A.0	744	70	95.0	95.5	95.7	95.4	0.80	0.79	0.74	0.62	12835	2.40	0.85	4.7	42	1570	o.r.
1000	1RQ7 501-8JA90-0C.0	743	67	94.7	95.4	95.8	95.6	0.82	0.82	0.78	0.69	12852	2.30	0.60	4.3	55	1460	o.r.
1100	1RQ7 502-8JA90-0A.0	744	78	95.0	95.5	95.9	95.6	0.81	0.78	0.75	0.64	14119	2.50	0.90	4.7	46	1400	o.r.
1100	1RQ7 502-8JA90-0C.0	743	74	94.8	95.5	96.0	95.9	0.82	0.82	0.79	0.71	14138	2.35	0.65	4.4	59	1660	o.r.
1250	1RQ7 503-8JA90-0A.0	744	85	95.1	95.7	96.1	95.9	0.81	0.81	0.77	0.67	16044	2.30	0.85	4.6	51	1510	o.r.
1370	1RQ7 507-8JA90-0A.0	744	92	95.6	96.1	96.3	96.0	0.82	0.81	0.76	0.66	17584	2.55	1.00	5.2	63	2710	o.r.
1400	1RQ7 507-8JA90-0C.0	743	91	95.2	95.9	96.4	96.3	0.84	0.84	0.81	0.73	17993	2.30	0.65	4.4	80	2240	o.r.
1550	1RQ7 508-8JA90-0A.0	745	106	95.7	96.1	96.3	96.0	0.81	0.80	0.75	0.63	19868	2.65	1.05	5.3	69	2610	o.r.
1600	1RQ7 508-8JA90-0C.0	744	106	95.7	96.2	96.4	96.2	0.83	0.83	0.78	0.68	20536	2.65	0.70	5.0	88	3010	o.r.
1800	1RQ7 563-8JA90-0C.0	745	120	95.6	96.0	96.3	95.9	0.82	0.82	0.79	0.70	23072	2.35	0.65	5.1	124	2810	o.r.
2000	1RQ7 564-8JA90-0C.0	744	134	95.7	96.1	96.5	96.3	0.82	0.82	0.80	0.73	25670	2.20	0.60	4.9	137	3135	o.r.
2240	1RQ7 567-8JA90-0C.0	745	150	95.9	96.1	96.6	96.4	0.83	0.82	0.80	0.72	28712	2.30	0.65	5.0	150	4020	o.r.
2500	1RQ7 568-8JA90-0C.0	744	166	96.1	96.2	96.8	96.4	0.83	0.82	0.80	0.73	32088	2.30	0.65	5.1	165	5205	o.r.
2950	1RQ8 634-8JA90-0C.0	744	188	95.5	96.1	96.1	95.7	0.85	0.86	0.83	0.76	37863	2.15	0.50	4.8	251	3210	o.r.
3350	1RQ8 637-8JA90-0C.0	744	210	95.9	96.3	96.3	95.9	0.86	0.87	0.83	0.75	42998	2.30	0.50	5.0	292	4650	o.r.
3550	1RQ8 638-8JA90-0C.0	744	220	96.0	96.5	96.5	96.1	0.87	0.87	0.83	0.76	45565	2.35	0.55	5.2	326	5480	o.r.
3800	1RQ8 712-8JA90-0C.0	746	240	96.2	96.6	96.5	96.0	0.86	0.86	0.81	0.72	48643	2.55	0.60	5.5	421	3900	o.r.
4150	1RQ8 713-8JA90-0C.0	746	260	96.4	96.7	96.6	96.0	0.86	0.86	0.81	0.71	53123	2.55	0.60	5.5	470	4270	o.r.
4650	1RQ8 714-8JA90-0C.0	746	290	96.5	96.8	96.7	96.3	0.87	0.87	0.82	0.74	59523	2.55	0.55	5.5	539	4260	o.r.
4950	1RQ8 717-8JA90-0C.0	746	305	96.5	96.9	96.9	96.6	0.87	0.88	0.84	0.77	63363	2.45	0.50	5.4	616	4640	o.r.
5300	1RQ8 718-8JA90-0C.0	746	330	96.6	97.0	97.0	96.7	0.87	0.87	0.84	0.77	67844	2.35	0.50	5.1	677	4860	o.r.



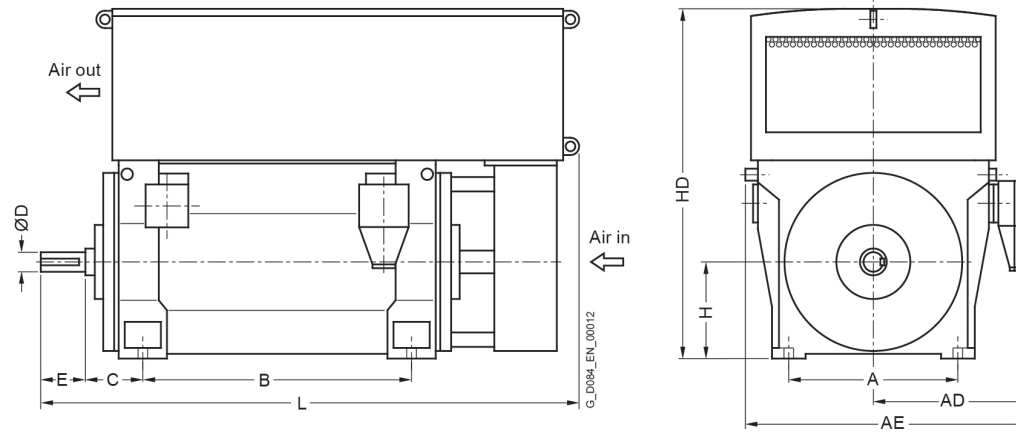
Motor type	Weight	Dimensions											
		A	AD	AE	B	C	D	E	H	HD	L	ML	
	kg	mm	mm	mm	mm	mm	mm	mm	mm	mm	mm	mm	mm
Innomotics HV M - 1RQ. IC611 11000 V / 50 Hz B3 (IM 1001) - Dimension drawings													
2-pole													
1RQ7 453-2JA90-0AA0	4650	850	1140	1760	1180	250	95	130	450	1900	2650	200	
1RQ7 453-2JA90-0AC0	4500	850	1140	1760	1180	475	95	130	450	1900	2880	200	
1RQ7 453-2JA90-0CA0	4750	850	1140	1760	1180	250	95	130	450	1900	2650	200	
1RQ7 453-2JA90-0CC0	4650	850	1140	1760	1180	475	95	130	450	1900	2880	200	
1RQ7 454-2JA90-0AA0	4750	850	1140	1760	1180	250	95	130	450	1900	2650	200	
1RQ7 454-2JA90-0AC0	4650	850	1140	1760	1180	475	95	130	450	1900	2880	200	
1RQ7 454-2JA90-0CA0	4850	850	1140	1760	1180	250	95	130	450	1900	2650	200	
1RQ7 454-2JA90-0CC0	4750	850	1140	1760	1180	475	95	130	450	1900	2880	200	
1RQ7 457-2JA90-0AA0	5200	850	1140	1760	1400	250	95	130	450	1900	2860	200	
1RQ7 457-2JA90-0AC0	5050	850	1140	1760	1400	475	95	130	450	1900	3090	200	
1RQ7 457-2JA90-0CA0	5300	850	1140	1760	1400	250	95	130	450	1900	2860	200	
1RQ7 457-2JA90-0CC0	5200	850	1140	1760	1400	475	95	130	450	1900	3090	200	
1RQ7 458-2JA90-0AA0	5350	850	1140	1760	1400	250	95	130	450	1900	2860	200	
1RQ7 458-2JA90-0AC0	5250	850	1140	1760	1400	475	95	130	450	1900	3090	200	
1RQ7 458-2JA90-0CA0	5500	850	1140	1760	1400	250	95	130	450	1900	2860	200	
1RQ7 458-2JA90-0CC0	5450	850	1140	1760	1400	475	95	130	450	1900	3090	200	
1RQ7 502-2JA90-0CA0	6250	950	1220	1920	1320	250	110	165	500	2210	2920	250	
1RQ7 502-2JA90-0CC0	6150	950	1220	1920	1320	530	120	165	500	2210	3200	250	
1RQ7 503-2JA90-0CA0	6500	950	1220	1920	1320	250	110	165	500	2210	2920	250	
1RQ7 503-2JA90-0CC0	6450	950	1220	1920	1320	530	120	165	500	2210	3200	250	
1RQ7 503-2JA90-0AA0	6350	950	1220	1920	1320	250	110	165	500	2210	2920	250	
1RQ7 503-2JA90-0AC0	6300	950	1220	1920	1320	530	120	165	500	2210	3200	250	



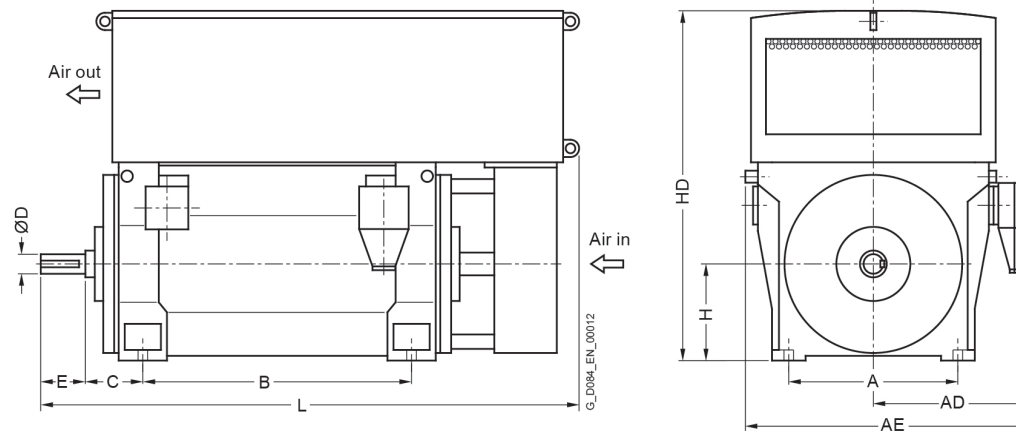
Motor type	Weight	Dimensions											
		A	AD	AE	B	C	D	E	H	HD	L	ML	
	kg	mm	mm	mm	mm	mm	mm	mm	mm	mm	mm	mm	mm
Innomotics HV M - 1RQ. IC611 11000 V / 50 Hz B3 (IM 1001) - Dimension drawings													
1RQ7 504-2JA90-0AA0	6450	950	1220	1920	1320	250	110	165	500	2210	2920	250	
1RQ7 504-2JA90-0AC0	6400	950	1220	1920	1320	530	120	165	500	2210	3200	250	
1RQ7 507-2JA90-0CA0	7300	950	1220	1920	1500	250	110	165	500	2210	3130	250	
1RQ7 507-2JA90-0CC0	7200	950	1220	1920	1500	530	120	165	500	2210	3410	250	
1RQ7 507-2JA90-0AA0	7100	950	1220	1920	1500	250	110	165	500	2210	3130	250	
1RQ7 507-2JA90-0AC0	7050	950	1220	1920	1500	530	120	165	500	2210	3410	250	
1RQ7 508-2JA90-0CA0	7650	950	1220	1920	1500	250	110	165	500	2210	3130	250	
1RQ7 508-2JA90-0CC0	7550	950	1220	1920	1500	530	120	165	500	2210	3410	250	
1RQ7 508-2JA90-0AA0	7450	950	1220	1920	1500	250	110	165	500	2210	3130	250	
1RQ7 508-2JA90-0AC0	7400	950	1220	1920	1500	530	120	165	500	2210	3410	250	
1RQ7 562-2JA90-0CC0	8200	1060	1290	2060	1400	600	150	200	560	2330	3450	300	
1RQ7 563-2JA90-0CC0	8450	1060	1290	2060	1400	600	150	200	560	2330	3450	300	
1RQ7 564-2JA90-0CC0	8700	1060	1290	2060	1400	600	150	200	560	2330	3450	300	
1RQ7 567-2JA90-0CC0	9600	1060	1290	2060	1600	600	150	200	560	2330	3680	300	
1RQ7 568-2JA90-0CC0	10150	1060	1290	2060	1600	600	150	200	560	2330	3680	300	
1RQ8 632-2JA90-0CJ0	10100	1320	1520	2520	1600	560	160	240	630	2710	3680	350	
1RQ8 633-2JA90-0CJ0	10600	1320	1520	2520	1600	560	160	240	630	2710	3680	350	
1RQ8 634-2JA90-0CJ0	11150	1320	1520	2520	1600	560	160	240	630	2710	3680	350	
1RQ8 637-2JA90-0CJ0	12050	1320	1520	2520	1800	560	160	240	630	2710	3880	350	
1RQ8 638-2JA90-0CJ0	12600	1320	1520	2520	1800	560	160	240	630	2710	3880	350	
1RQ8 712-2JA90-0CJ0	14600	1500	1620	2720	2000	560	180	240	710	3090	4400	400	
1RQ8 713-2JA90-0CJ0	15100	1500	1620	2720	2000	560	180	240	710	3090	4400	400	
1RQ8 714-2JA90-0CJ0	15700	1500	1620	2720	2000	560	180	240	710	3090	4400	400	



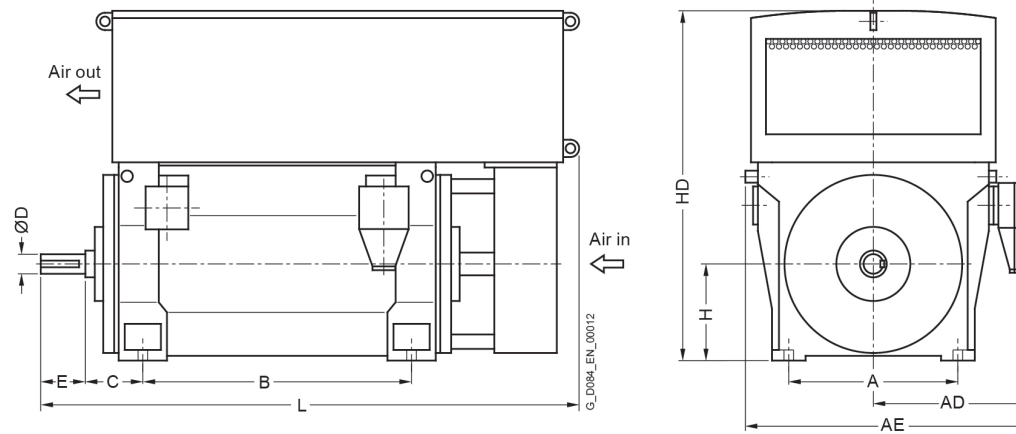
Motor type	Weight	Dimensions											
		A	AD	AE	B	C	D	E	H	HD	L	ML	
	kg	mm	mm	mm	mm	mm	mm	mm	mm	mm	mm	mm	mm
Innomotics HV M - 1RQ. IC611 11000 V / 50 Hz B3 (IM 1001) - Dimension drawings													
1RQ8 716-2JA90-0CJ0	16900	1500	1620	2720	2240	560	180	240	710	3090	4640	400	
1RQ8 717-2JA90-0CJ0	17700	1500	1620	2720	2240	560	180	240	710	3090	4640	400	
1RQ8 718-2JA90-0CJ0	18650	1500	1620	2720	2240	560	180	240	710	3090	4640	400	
4-pole													
1RQ7 453-4JA90-0CA0	4800	850	1140	1760	1180	250	130	200	450	1900	2720	200	
1RQ7 453-4JA90-0CC0	4800	850	1140	1760	1180	500	130	200	450	1900	2970	200	
1RQ7 453-4JA90-0AA0	4650	850	1140	1760	1180	250	130	200	450	1900	2720	200	
1RQ7 453-4JA90-0AC0	4650	850	1140	1760	1180	500	130	200	450	1900	2970	200	
1RQ7 454-4JA90-0AA0	4800	850	1140	1760	1180	250	130	200	450	1900	2720	200	
1RQ7 454-4JA90-0AC0	4800	850	1140	1760	1180	500	130	200	450	1900	2970	200	
1RQ7 454-4JA90-0CA0	4950	850	1140	1760	1180	250	130	200	450	1900	2720	200	
1RQ7 454-4JA90-0CC0	5000	850	1140	1760	1180	500	130	200	450	1900	2970	200	
1RQ7 457-4JA90-0CA0	5600	850	1140	1760	1400	250	130	200	450	1900	2930	200	
1RQ7 457-4JA90-0CC0	5600	850	1140	1760	1400	500	130	200	450	1900	3180	200	
1RQ7 457-4JA90-0AA0	5450	850	1140	1760	1400	250	130	200	450	1900	2930	200	
1RQ7 457-4JA90-0AC0	5450	850	1140	1760	1400	500	130	200	450	1900	3180	200	
1RQ7 458-4JA90-0CA0	5800	850	1140	1760	1400	250	130	200	450	1900	2930	200	
1RQ7 458-4JA90-0CC0	5850	850	1140	1760	1400	500	130	200	450	1900	3180	200	
1RQ7 458-4JA90-0AA0	5600	850	1140	1760	1400	250	130	200	450	1900	2930	200	
1RQ7 458-4JA90-0AC0	5650	850	1140	1760	1400	500	130	200	450	1900	3180	200	
1RQ7 503-4JA90-0AA0	6700	950	1220	1920	1320	315	160	240	500	2210	3060	250	
1RQ7 503-4JA90-0AC0	6750	950	1220	1920	1320	560	170	240	500	2210	3300	250	
1RQ7 503-4JA90-0CA0	6850	950	1220	1920	1320	315	160	240	500	2210	3060	250	



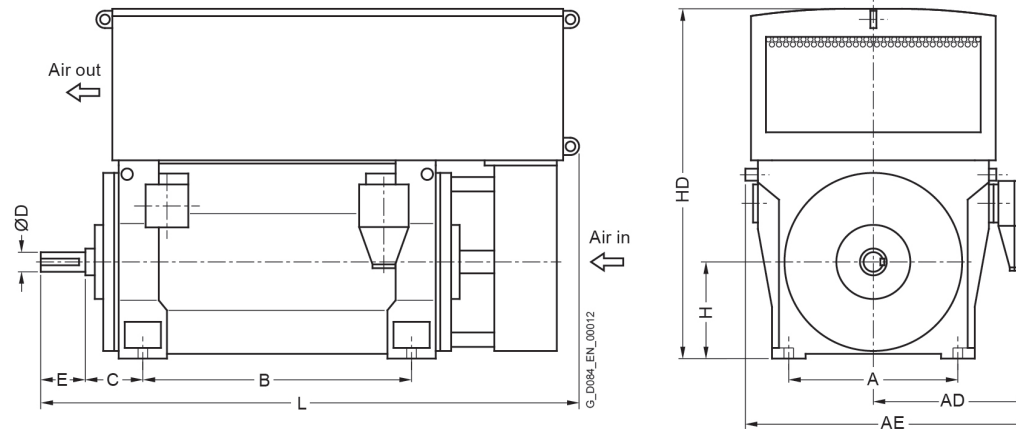
Motor type	Weight	Dimensions												
		A	AD	AE	B	C	D	E	H	HD	L	ML		
	kg	mm	mm	mm	mm	mm	mm	mm	mm	mm	mm	mm	mm	
Innomotics HV M - 1RQ. IC611 11000 V / 50 Hz B3 (IM 1001) - Dimension drawings														
1RQ7 503-4JA90-0CC0	6900	950	1220	1920	1320	560	170	240	500	2210	3300	250		
1RQ7 504-4JA90-0CA0	7100	950	1220	1920	1320	315	160	240	500	2210	3060	250		
1RQ7 504-4JA90-0CC0	7150	950	1220	1920	1320	560	170	240	500	2210	3300	250		
1RQ7 504-4JA90-0AA0	6900	950	1220	1920	1320	315	160	240	500	2210	3060	250		
1RQ7 504-4JA90-0AC0	6950	950	1220	1920	1320	560	170	240	500	2210	3300	250		
1RQ7 507-4JA90-0AA0	7600	950	1220	1920	1500	315	160	240	500	2210	3270	250		
1RQ7 507-4JA90-0AC0	7650	950	1220	1920	1500	560	170	240	500	2210	3510	250		
1RQ7 507-4JA90-0CA0	7800	950	1220	1920	1500	315	160	240	500	2210	3270	250		
1RQ7 507-4JA90-0CC0	7850	950	1220	1920	1500	560	170	240	500	2210	3510	250		
1RQ7 508-4JA90-0CA0	8100	950	1220	1920	1500	315	160	240	500	2210	3270	250		
1RQ7 508-4JA90-0CC0	8150	950	1220	1920	1500	560	170	240	500	2210	3510	250		
1RQ7 508-4JA90-0AA0	7900	950	1220	1920	1500	315	160	240	500	2210	3270	250		
1RQ7 508-4JA90-0AC0	7950	950	1220	1920	1500	560	170	240	500	2210	3510	250		
1RQ7 562-4JA90-0CA0	8250	1060	1290	2060	1400	335	190	280	560	2330	3260	300		
1RQ7 562-4JA90-0CC0	8300	1060	1290	2060	1400	600	190	280	560	2330	3530	300		
1RQ7 563-4JA90-0CA0	8500	1060	1290	2060	1400	335	190	280	560	2330	3260	300		
1RQ7 563-4JA90-0CC0	8550	1060	1290	2060	1400	600	190	280	560	2330	3530	300		
1RQ7 564-4JA90-0CA0	8950	1060	1290	2060	1400	335	190	280	560	2330	3260	300		
1RQ7 564-4JA90-0CC0	9000	1060	1290	2060	1400	600	190	280	560	2330	3530	300		
1RQ7 566-4JA90-0CA0	9800	1060	1290	2060	1600	335	190	280	560	2330	3490	300		
1RQ7 566-4JA90-0CC0	9850	1060	1290	2060	1600	600	190	280	560	2330	3760	300		
1RQ7 567-4JA90-0CA0	10250	1060	1290	2060	1600	335	190	280	560	2330	3490	300		
1RQ7 567-4JA90-0CC0	10300	1060	1290	2060	1600	600	190	280	560	2330	3760	300		



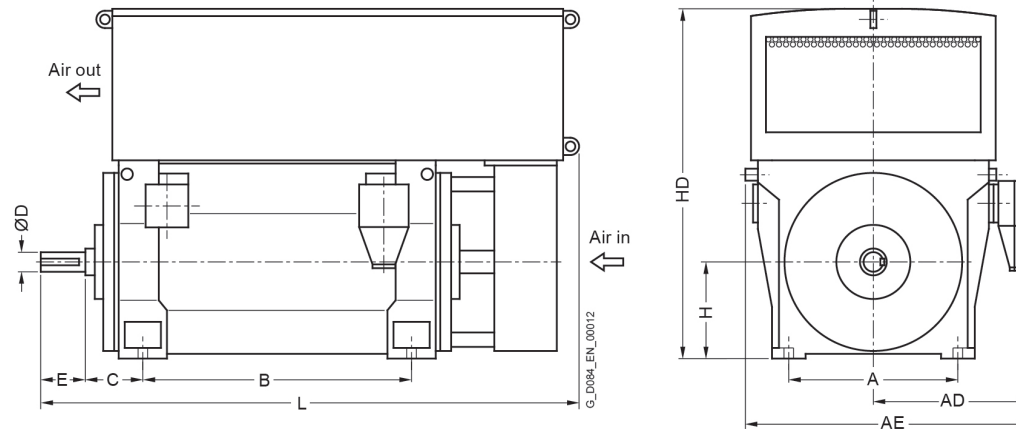
Motor type	Weight	Dimensions												
		A	AD	AE	B	C	D	E	H	HD	L	ML		
	kg	mm	mm	mm	mm	mm	mm	mm	mm	mm	mm	mm	mm	
Innomotics HV M - 1RQ. IC611 11000 V / 50 Hz B3 (IM 1001) - Dimension drawings														
1RQ7 568-4JA90-0CA0	10700	1060	1290	2060	1600	335	190	280	560	2330	3490	300		
1RQ7 568-4JA90-0CC0	10750	1060	1290	2060	1600	600	190	280	560	2330	3760	300		
1RQ8 633-4JA90-0CG0	11300	1320	1520	2520	1600	375	200	280	630	2710	3530	350		
1RQ8 633-4JA90-0CJ0	11450	1320	1520	2520	1600	630	200	280	630	2710	3790	350		
1RQ8 634-4JA90-0CG0	11750	1320	1520	2520	1600	375	200	280	630	2710	3530	350		
1RQ8 634-4JA90-0CJ0	11850	1320	1520	2520	1600	630	200	280	630	2710	3790	350		
1RQ8 637-4JA90-0CG0	12650	1320	1520	2520	1800	375	200	280	630	2710	3730	350		
1RQ8 637-4JA90-0CJ0	12800	1320	1520	2520	1800	630	200	280	630	2710	3990	350		
1RQ8 638-4JA90-0CG0	13300	1320	1520	2520	1800	375	200	280	630	2710	3730	350		
1RQ8 638-4JA90-0CJ0	13400	1320	1520	2520	1800	630	200	280	630	2710	3990	350		
1RQ8 712-4JA90-0CG0	15400	1500	1620	2720	2000	375	220	280	710	3090	3980	400		
1RQ8 712-4JA90-0CJ0	15500	1500	1620	2720	2000	630	220	280	710	3090	4230	400		
1RQ8 713-4JA90-0CG0	16050	1500	1620	2720	2000	375	220	280	710	3090	3980	400		
1RQ8 713-4JA90-0CJ0	16200	1500	1620	2720	2000	630	220	280	710	3090	4230	400		
1RQ8 714-4JA90-0CG0	16850	1500	1620	2720	2000	375	220	280	710	3090	3980	400		
1RQ8 714-4JA90-0CJ0	16950	1500	1620	2720	2000	630	220	280	710	3090	4230	400		
1RQ8 717-4JA90-0CG0	18100	1500	1620	2720	2240	375	220	280	710	3090	4220	400		
1RQ8 717-4JA90-0CJ0	18250	1500	1620	2720	2240	630	220	280	710	3090	4470	400		
1RQ8 718-4JA90-0CG0	18700	1500	1620	2720	2240	375	220	280	710	3090	4220	400		
1RQ8 718-4JA90-0CJ0	18800	1500	1620	2720	2240	630	220	280	710	3090	4470	400		
6-pole														
1RQ7 452-6JA90-0AA0	4550	850	1140	1760	1180	250	130	200	450	1900	2720	200		
1RQ7 452-6JA90-0AC0	4550	850	1140	1760	1180	500	130	200	450	1900	2970	200		



Motor type	Weight	Dimensions												
		A	AD	AE	B	C	D	E	H	HD	L	ML		
	kg	mm	mm	mm	mm	mm	mm	mm	mm	mm	mm	mm	mm	
Innomotics HV M - 1RQ. IC611 11000 V / 50 Hz B3 (IM 1001) - Dimension drawings														
1RQ7 452-6JA90-0CA0	4700	850	1140	1760	1180	250	130	200	450	1900	2720	200		
1RQ7 452-6JA90-0CC0	4700	850	1140	1760	1180	500	130	200	450	1900	2970	200		
1RQ7 453-6JA90-0AA0	4700	850	1140	1760	1180	250	130	200	450	1900	2720	200		
1RQ7 453-6JA90-0AC0	4700	850	1140	1760	1180	500	130	200	450	1900	2970	200		
1RQ7 453-6JA90-0CA0	4850	850	1140	1760	1180	250	130	200	450	1900	2720	200		
1RQ7 453-6JA90-0CC0	4850	850	1140	1760	1180	500	130	200	450	1900	2970	200		
1RQ7 454-6JA90-0AA0	4850	850	1140	1760	1180	250	130	200	450	1900	2720	200		
1RQ7 454-6JA90-0AC0	4850	850	1140	1760	1180	500	130	200	450	1900	2970	200		
1RQ7 454-6JA90-0CA0	5050	850	1140	1760	1180	250	130	200	450	1900	2720	200		
1RQ7 454-6JA90-0CC0	5050	850	1140	1760	1180	500	130	200	450	1900	2970	200		
1RQ7 457-6JA90-0AA0	5350	850	1140	1760	1400	250	130	200	450	1900	2930	200		
1RQ7 457-6JA90-0AC0	5350	850	1140	1760	1400	500	130	200	450	1900	3180	200		
1RQ7 457-6JA90-0CA0	5500	850	1140	1760	1400	250	130	200	450	1900	2930	200		
1RQ7 457-6JA90-0CC0	5550	850	1140	1760	1400	500	130	200	450	1900	3180	200		
1RQ7 458-6JA90-0CA0	5850	850	1140	1760	1400	250	130	200	450	1900	2930	200		
1RQ7 458-6JA90-0CC0	5850	850	1140	1760	1400	500	130	200	450	1900	3180	200		
1RQ7 458-6JA90-0AA0	5650	850	1140	1760	1400	250	130	200	450	1900	2930	200		
1RQ7 458-6JA90-0AC0	5650	850	1140	1760	1400	500	130	200	450	1900	3180	200		
1RQ7 502-6JA90-0CA0	6750	950	1220	1920	1320	315	160	240	500	2210	3060	250		
1RQ7 502-6JA90-0CC0	6750	950	1220	1920	1320	560	170	240	500	2210	3300	250		
1RQ7 502-6JA90-0AA0	6550	950	1220	1920	1320	315	160	240	500	2210	3060	250		
1RQ7 502-6JA90-0AC0	6550	950	1220	1920	1320	560	170	240	500	2210	3300	250		
1RQ7 503-6JA90-0CA0	7050	950	1220	1920	1320	315	160	240	500	2210	3060	250		

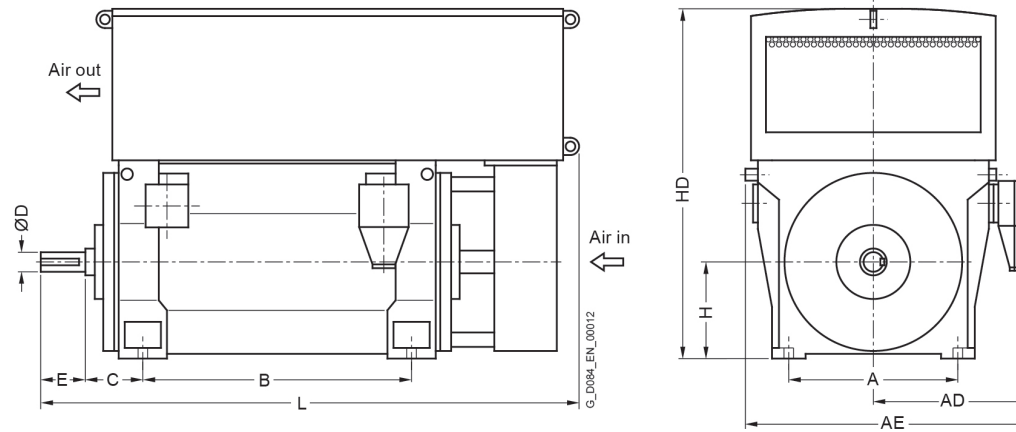


Motor type	Weight	Dimensions												
		A	AD	AE	B	C	D	E	H	HD	L	ML		
	kg	mm	mm	mm	mm	mm	mm	mm	mm	mm	mm	mm	mm	
Innomotics HV M - 1RQ. IC611 11000 V / 50 Hz B3 (IM 1001) - Dimension drawings														
1RQ7 503-6JA90-0CC0	7050	950	1220	1920	1320	560	170	240	500	2210	3300	250		
1RQ7 503-6JA90-0AA0	6800	950	1220	1920	1320	315	160	240	500	2210	3060	250		
1RQ7 503-6JA90-0AC0	6850	950	1220	1920	1320	560	170	240	500	2210	3300	250		
1RQ7 504-6JA90-0AA0	7050	950	1220	1920	1320	315	160	240	500	2210	3060	250		
1RQ7 504-6JA90-0AC0	7100	950	1220	1920	1320	560	170	240	500	2210	3300	250		
1RQ7 504-6JA90-0CA0	7300	950	1220	1920	1320	315	160	240	500	2210	3060	250		
1RQ7 504-6JA90-0CC0	7350	950	1220	1920	1320	560	170	240	500	2210	3300	250		
1RQ7 507-6JA90-0CA0	8050	950	1220	1920	1500	315	160	240	500	2210	3270	250		
1RQ7 507-6JA90-0CC0	8050	950	1220	1920	1500	560	170	240	500	2210	3510	250		
1RQ7 507-6JA90-0AA0	7750	950	1220	1920	1500	315	160	240	500	2210	3270	250		
1RQ7 507-6JA90-0AC0	7800	950	1220	1920	1500	560	170	240	500	2210	3510	250		
1RQ7 508-6JA90-0AA0	8100	950	1220	1920	1500	315	160	240	500	2210	3270	250		
1RQ7 508-6JA90-0AC0	8100	950	1220	1920	1500	560	170	240	500	2210	3510	250		
1RQ7 508-6JA90-0CA0	8350	950	1220	1920	1500	315	160	240	500	2210	3270	250		
1RQ7 508-6JA90-0CC0	8400	950	1220	1920	1500	560	170	240	500	2210	3510	250		
1RQ7 561-6JA90-0CA0	8400	1060	1290	2060	1400	335	190	280	560	2330	3260	300		
1RQ7 561-6JA90-0CC0	8450	1060	1290	2060	1400	600	190	280	560	2330	3530	300		
1RQ7 562-6JA90-0CA0	8800	1060	1290	2060	1400	335	190	280	560	2330	3260	300		
1RQ7 562-6JA90-0CC0	8850	1060	1290	2060	1400	600	190	280	560	2330	3530	300		
1RQ7 564-6JA90-0CA0	9450	1060	1290	2060	1400	335	190	280	560	2330	3260	300		
1RQ7 564-6JA90-0CC0	9450	1060	1290	2060	1400	600	190	280	560	2330	3530	300		
1RQ7 567-6JA90-0CA0	10250	1060	1290	2060	1600	335	190	280	560	2330	3490	300		
1RQ7 567-6JA90-0CC0	10300	1060	1290	2060	1600	600	190	280	560	2330	3760	300		

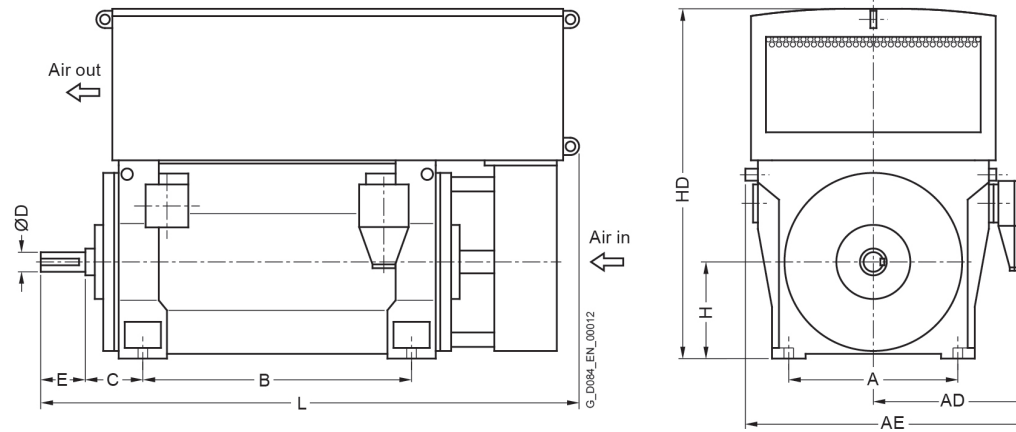


Motor type	Weight	Dimensions											
		A	AD	AE	B	C	D	E	H	HD	L	ML	
	kg	mm	mm	mm	mm	mm	mm	mm	mm	mm	mm	mm	mm
Innomotics HV M - 1RQ. IC611 11000 V / 50 Hz B3 (IM 1001) - Dimension drawings													
1RQ7 568-6JA90-0CA0	10850	1060	1290	2060	1600	335	190	280	560	2330	3490	300	
1RQ7 568-6JA90-0CC0	10900	1060	1290	2060	1600	600	190	280	560	2330	3760	300	
1RQ8 632-6JA90-0CG0	11350	1320	1520	2520	1600	375	200	280	630	2710	3530	350	
1RQ8 632-6JA90-0CJ0	11400	1320	1520	2520	1600	630	200	280	630	2710	3790	350	
1RQ8 633-6JA90-0CG0	11800	1320	1520	2520	1600	375	200	280	630	2710	3530	350	
1RQ8 633-6JA90-0CJ0	11850	1320	1520	2520	1600	630	200	280	630	2710	3790	350	
1RQ8 634-6JA90-0CG0	12300	1320	1520	2520	1600	375	200	280	630	2710	3530	350	
1RQ8 634-6JA90-0CJ0	12400	1320	1520	2520	1600	630	200	280	630	2710	3790	350	
1RQ8 637-6JA90-0CG0	13100	1320	1520	2520	1800	375	200	280	630	2710	3730	350	
1RQ8 637-6JA90-0CJ0	13200	1320	1520	2520	1800	630	200	280	630	2710	3990	350	
1RQ8 638-6JA90-0CG0	13650	1320	1520	2520	1800	375	200	280	630	2710	3730	350	
1RQ8 638-6JA90-0CJ0	13700	1320	1520	2520	1800	630	200	280	630	2710	3990	350	
1RQ8 712-6JA90-0CG0	15400	1500	1620	2720	2000	375	220	280	710	3090	3980	400	
1RQ8 712-6JA90-0CJ0	15500	1500	1620	2720	2000	630	220	280	710	3090	4230	400	
1RQ8 713-6JA90-0CG0	16300	1500	1620	2720	2000	375	220	280	710	3090	3980	400	
1RQ8 713-6JA90-0CJ0	16450	1500	1620	2720	2000	630	220	280	710	3090	4230	400	
1RQ8 714-6JA90-0CG0	17300	1500	1620	2720	2000	375	220	280	710	3090	3980	400	
1RQ8 714-6JA90-0CJ0	17450	1500	1620	2720	2000	630	220	280	710	3090	4230	400	
1RQ8 717-6JA90-0CG0	18850	1500	1620	2720	2240	375	220	280	710	3090	4220	400	
1RQ8 717-6JA90-0CJ0	19000	1500	1620	2720	2240	630	220	280	710	3090	4470	400	
1RQ8 718-6JA90-0CG0	19900	1500	1620	2720	2240	375	220	280	710	3090	4220	400	
1RQ8 718-6JA90-0CJ0	20050	1500	1620	2720	2240	630	220	280	710	3090	4470	400	

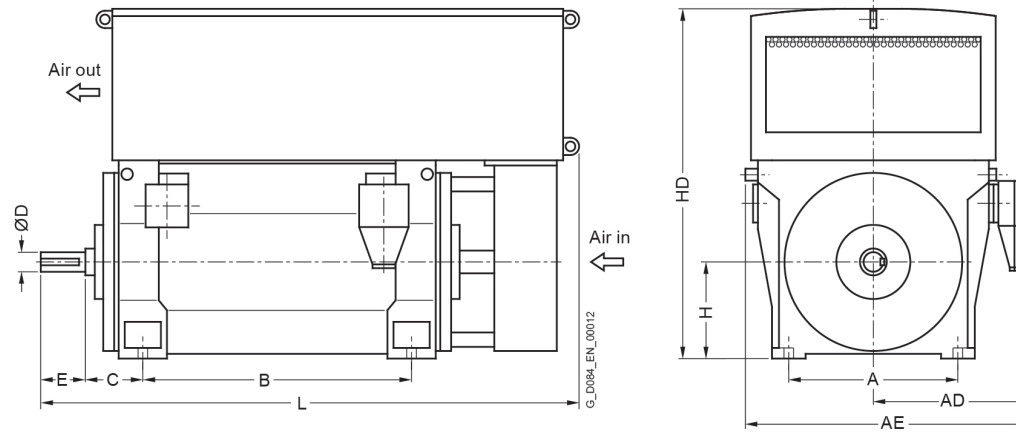
8-pole



Motor type	Weight	Dimensions												
		A	AD	AE	B	C	D	E	H	HD	L	ML		
	kg	mm	mm	mm	mm	mm	mm	mm	mm	mm	mm	mm	mm	
Innomotics HV M - 1RQ. IC611 11000 V / 50 Hz B3 (IM 1001) - Dimension drawings														
1RQ7 451-8JA90-0AA0	4500	850	1140	1760	1180	250	130	200	450	1900	2720	200		
1RQ7 451-8JA90-0AC0	4550	850	1140	1760	1180	500	130	200	450	1900	2970	200		
1RQ7 451-8JA90-0CA0	4650	850	1140	1760	1180	250	130	200	450	1900	2720	200		
1RQ7 451-8JA90-0CC0	4650	850	1140	1760	1180	500	130	200	450	1900	2970	200		
1RQ7 452-8JA90-0AA0	4650	850	1140	1760	1180	250	130	200	450	1900	2720	200		
1RQ7 452-8JA90-0AC0	4650	850	1140	1760	1180	500	130	200	450	1900	2970	200		
1RQ7 452-8JA90-0CA0	4800	850	1140	1760	1180	250	130	200	450	1900	2720	200		
1RQ7 452-8JA90-0CC0	4800	850	1140	1760	1180	500	130	200	450	1900	2970	200		
1RQ7 453-8JA90-0AA0	4850	850	1140	1760	1180	250	130	200	450	1900	2720	200		
1RQ7 453-8JA90-0AC0	4900	850	1140	1760	1180	500	130	200	450	1900	2970	200		
1RQ7 453-8JA90-0CA0	5050	850	1140	1760	1180	250	130	200	450	1900	2720	200		
1RQ7 453-8JA90-0CC0	5050	850	1140	1760	1180	500	130	200	450	1900	2970	200		
1RQ7 454-8JA90-0AA0	5100	850	1140	1760	1180	250	130	200	450	1900	2720	200		
1RQ7 454-8JA90-0AC0	5100	850	1140	1760	1180	500	130	200	450	1900	2970	200		
1RQ7 454-8JA90-0CA0	5250	850	1140	1760	1180	250	130	200	450	1900	2720	200		
1RQ7 454-8JA90-0CC0	5300	850	1140	1760	1180	500	130	200	450	1900	2970	200		
1RQ7 457-8JA90-0AA0	5600	850	1140	1760	1400	250	130	200	450	1900	2930	200		
1RQ7 457-8JA90-0AC0	5650	850	1140	1760	1400	500	130	200	450	1900	3180	200		
1RQ7 457-8JA90-0CA0	5800	850	1140	1760	1400	250	130	200	450	1900	2930	200		
1RQ7 457-8JA90-0CC0	5800	850	1140	1760	1400	500	130	200	450	1900	3180	200		
1RQ7 458-8JA90-0AA0	5850	850	1140	1760	1400	250	130	200	450	1900	2930	200		
1RQ7 458-8JA90-0AC0	5900	850	1140	1760	1400	500	130	200	450	1900	3180	200		
1RQ7 458-8JA90-0CA0	6050	850	1140	1760	1400	250	130	200	450	1900	2930	200		

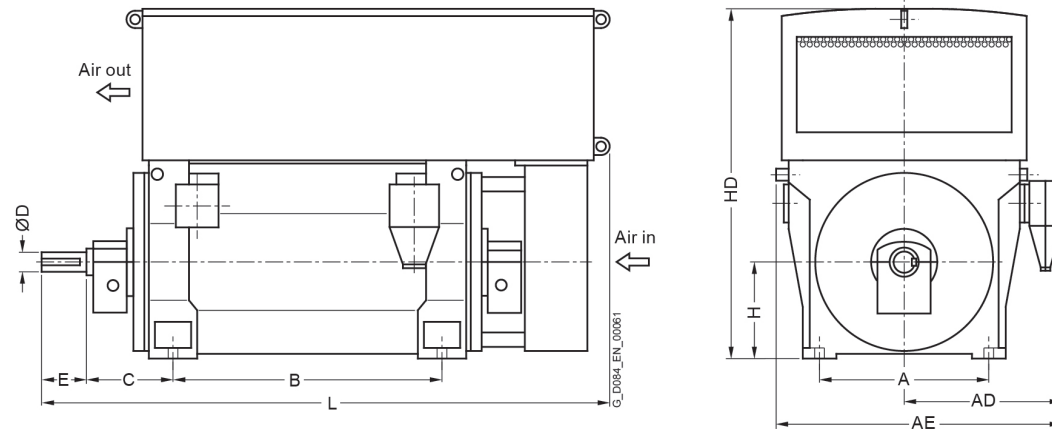


Motor type	Weight	Dimensions												
		A	AD	AE	B	C	D	E	H	HD	L	ML		
	kg	mm	mm	mm	mm	mm	mm	mm	mm	mm	mm	mm	mm	
Innomotics HV M - 1RQ. IC611 11000 V / 50 Hz B3 (IM 1001) - Dimension drawings														
1RQ7 458-8JA90-0CC0	6100	850	1140	1760	1400	500	130	200	450	1900	3180	200		
1RQ7 501-8JA90-0AA0	5800	950	1220	1920	1320	315	160	240	500	2210	3060	250		
1RQ7 501-8JA90-0AC0	5800	950	1220	1920	1320	560	170	240	500	2210	3300	250		
1RQ7 501-8JA90-0CA0	5950	950	1220	1920	1320	315	160	240	500	2210	3060	250		
1RQ7 501-8JA90-0CC0	5950	950	1220	1920	1320	560	170	240	500	2210	3300	250		
1RQ7 502-8JA90-0AA0	6550	950	1220	1920	1320	315	160	240	500	2210	3060	250		
1RQ7 502-8JA90-0AC0	6600	950	1220	1920	1320	560	170	240	500	2210	3300	250		
1RQ7 502-8JA90-0CA0	6750	950	1220	1920	1320	315	160	240	500	2210	3060	250		
1RQ7 502-8JA90-0CC0	6800	950	1220	1920	1320	560	170	240	500	2210	3300	250		
1RQ7 503-8JA90-0AA0	6800	950	1220	1920	1320	315	160	240	500	2210	3060	250		
1RQ7 503-8JA90-0AC0	6850	950	1220	1920	1320	560	170	240	500	2210	3300	250		
1RQ7 507-8JA90-0AA0	7800	950	1220	1920	1500	315	160	240	500	2210	3270	250		
1RQ7 507-8JA90-0AC0	7800	950	1220	1920	1500	560	170	240	500	2210	3510	250		
1RQ7 507-8JA90-0CA0	8000	950	1220	1920	1500	315	160	240	500	2210	3270	250		
1RQ7 507-8JA90-0CC0	8050	950	1220	1920	1500	560	170	240	500	2210	3510	250		
1RQ7 508-8JA90-0AA0	8100	950	1220	1920	1500	315	160	240	500	2210	3270	250		
1RQ7 508-8JA90-0AC0	8100	950	1220	1920	1500	560	170	240	500	2210	3510	250		
1RQ7 508-8JA90-0CA0	8350	950	1220	1920	1500	315	160	240	500	2210	3270	250		
1RQ7 508-8JA90-0CC0	8400	950	1220	1920	1500	560	170	240	500	2210	3510	250		
1RQ7 563-8JA90-0CA0	8850	1060	1290	2060	1400	335	190	280	560	2330	3260	300		
1RQ7 563-8JA90-0CC0	8900	1060	1290	2060	1400	600	190	280	560	2330	3530	300		
1RQ7 564-8JA90-0CA0	9300	1060	1290	2060	1400	335	190	280	560	2330	3260	300		
1RQ7 564-8JA90-0CC0	9350	1060	1290	2060	1400	600	190	280	560	2330	3530	300		



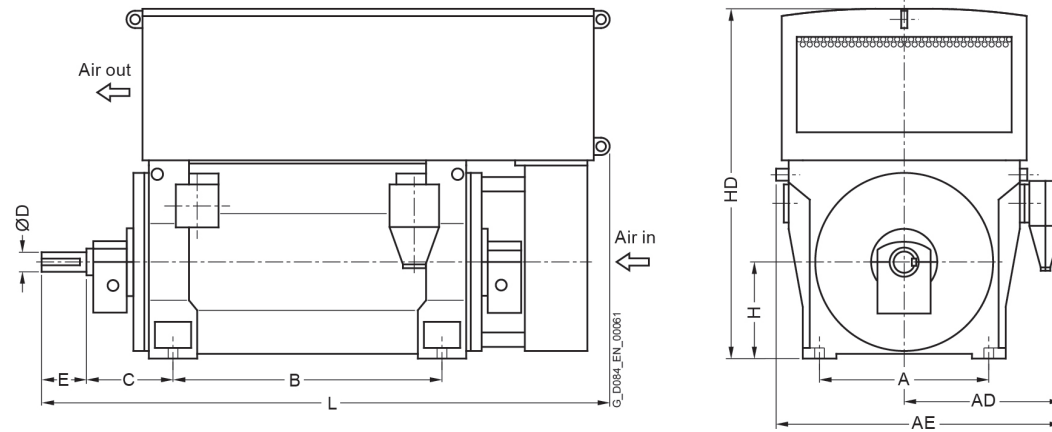
Motor type	Weight	Dimensions											
		A	AD	AE	B	C	D	E	H	HD	L	ML	
	kg	mm	mm	mm	mm	mm	mm	mm	mm	mm	mm	mm	mm
Innomotics HV M - 1RQ. IC611 11000 V / 50 Hz B3 (IM 1001) - Dimension drawings													
1RQ7 567-8JA90-0CA0	10200	1060	1290	2060	1600	335	190	280	560	2330	3490	300	
1RQ7 567-8JA90-0CC0	10250	1060	1290	2060	1600	600	190	280	560	2330	3760	300	
1RQ7 568-8JA90-0CA0	10700	1060	1290	2060	1600	335	190	280	560	2330	3490	300	
1RQ7 568-8JA90-0CC0	10750	1060	1290	2060	1600	600	190	280	560	2330	3760	300	
1RQ8 634-8JA90-0CG0	11400	1320	1520	2520	1600	375	200	280	630	2570	3530	350	
1RQ8 634-8JA90-0CJ0	11500	1320	1520	2520	1600	630	200	280	630	2570	3790	350	
1RQ8 637-8JA90-0CG0	12650	1320	1520	2520	1800	375	200	280	630	2570	3730	350	
1RQ8 637-8JA90-0CJ0	12700	1320	1520	2520	1800	630	200	280	630	2570	3990	350	
1RQ8 638-8JA90-0CG0	13350	1320	1520	2520	1800	375	200	280	630	2570	3730	350	
1RQ8 638-8JA90-0CJ0	13450	1320	1520	2520	1800	630	200	280	630	2570	3990	350	
1RQ8 712-8JA90-0CG0	14950	1500	1620	2720	2000	375	220	280	710	3090	3980	400	
1RQ8 712-8JA90-0CJ0	15150	1500	1620	2720	2000	630	220	280	710	3090	4230	400	
1RQ8 713-8JA90-0CG0	15750	1500	1620	2720	2000	375	220	280	710	3090	3980	400	
1RQ8 713-8JA90-0CJ0	15950	1500	1620	2720	2000	630	220	280	710	3090	4230	400	
1RQ8 714-8JA90-0CG0	16850	1500	1620	2720	2000	375	220	280	710	3090	3980	400	
1RQ8 714-8JA90-0CJ0	17000	1500	1620	2720	2000	630	220	280	710	3090	4230	400	
1RQ8 717-8JA90-0CG0	18500	1500	1620	2720	2240	375	220	280	710	3090	4220	400	
1RQ8 717-8JA90-0CJ0	18650	1500	1620	2720	2240	630	220	280	710	3090	4470	400	
1RQ8 718-8JA90-0CG0	19500	1500	1620	2720	2240	375	220	280	710	3090	4220	400	
1RQ8 718-8JA90-0CJ0	19700	1500	1620	2720	2240	630	220	280	710	3090	4470	400	

Innomotics HV M - 1RQ. IC611 13800 V / 60 Hz B3 (IM 1001)																			
Rated power IEC	Article No.	Speed	Rated current I_R	Efficiency				Power factor				Torque T_R	Breakdown torque T_B/ T_R	Locked rotor torque T_{LR}/ T_R	Locked rotor current I_{LR}/ I_R	Inertia			
				5/4 load	4/4 load	3/4 load	2/4 load	5/4 load	4/4 load	3/4 load	2/4 load					rotor	motor	external	Startup max T/TR
kW		rpm	A	%	%	%	%	$\cos \varphi$	$\cos \varphi$	$\cos \varphi$	$\cos \varphi$	Nm	[-]	[-]	[-]	kgm ²	kgm ²	kgm ²	[-]
2-pole: $n_{sync} = 3600$ rpm at 60 Hz																			
4800	1RQ8 633-2JA20-0CJ0	3587	235	95.7	95.8	94.9	93.1	0.89	0.90	0.90	0.87	12779	2.50	0.65	6.0	82	220		o.r.
5900	1RQ8 637-2JA20-0CJ0	3588	280	96.2	96.2	95.5	93.9	0.90	0.91	0.91	0.88	15703	2.60	0.60	6.0	98	240		o.r.
7400	1RQ8 714-2JA20-0CJ0	3589	355	96.1	95.9	95.2	93.5	0.90	0.91	0.91	0.89	19689	2.40	0.60	6.0	172	170		o.r.
8500	1RQ8 717-2JA20-0CJ0	3589	405	96.3	96.2	95.5	93.9	0.90	0.91	0.91	0.90	22616	2.50	0.55	6.0	200	180		o.r.
4-pole: $n_{sync} = 1800$ rpm at 60 Hz																			
4950	1RQ8 633-4JA20-0C.0	1792	240	96.2	96.3	96.0	94.9	0.89	0.90	0.88	0.84	26378	2.55	0.55	6.0	150	600		o.r.
5700	1RQ8 637-4JA20-0C.0	1792	270	96.4	96.6	96.4	95.4	0.89	0.91	0.90	0.88	30374	2.50	0.60	6.0	182	730		o.r.
7250	1RQ8 713-4JA20-0C.0	1793	345	96.6	96.8	96.6	95.7	0.89	0.91	0.90	0.87	38613	2.60	0.45	6.0	282	680		o.r.
8800	1RQ8 717-4JA20-0C.0	1793	415	96.9	97.0	96.9	96.2	0.90	0.91	0.91	0.88	46868	2.60	0.45	6.0	344	970		o.r.
6-pole: $n_{sync} = 1200$ rpm at 60 Hz																			
4000	1RQ8 633-6JA20-0C.0	1193	198	95.9	96.2	96.1	95.3	0.86	0.88	0.85	0.79	32018	2.40	0.55	5.5	209	1060		o.r.
4850	1RQ8 637-6JA20-0C.0	1193	240	96.3	96.5	96.4	95.6	0.86	0.88	0.85	0.79	38822	2.40	0.55	5.5	246	1560		o.r.
6800	1RQ8 714-6JA20-0C.0	1195	335	96.8	97.0	97.0	96.4	0.87	0.88	0.86	0.81	54339	2.40	0.50	5.5	421	1830		o.r.
7500	1RQ8 717-6JA20-0C.0	1195	365	96.9	97.2	97.1	96.5	0.87	0.88	0.87	0.82	59933	2.40	0.50	5.5	475	2090		o.r.

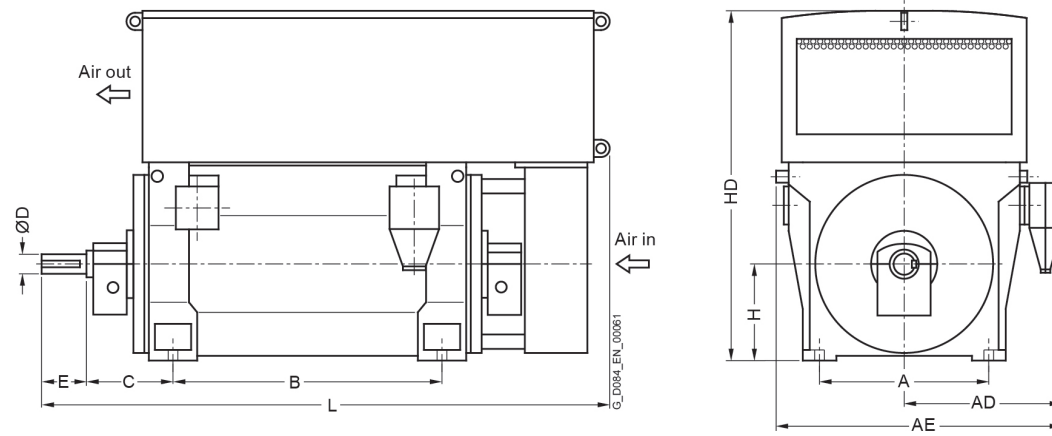


Motor type	Weight	Dimensions											
		A	AD	AE	B	C	D	E	H	HD	L	ML	
	kg	mm	mm	mm	mm	mm	mm	mm	mm	mm	mm	mm	mm
Innomotics HV M - 1RQ. IC611 13800 V / 60 Hz B3 (IM 1001) - Dimension drawings													
2-pole													
1RQ8 633-2JA20-0CJ0	10400	1320	1647	2647	1600	560	160	240	630	2710	3680	350	
1RQ8 637-2JA20-0CJ0	11800	1320	1647	2647	1800	560	160	240	630	2710	3880	350	
1RQ8 714-2JA20-0CJ0	15550	1500	1747	2847	2000	560	180	240	710	3090	4400	400	
1RQ8 717-2JA20-0CJ0	17400	1500	1747	2847	2240	560	180	240	710	3090	4640	400	
4-pole													
1RQ8 633-4JA20-0CG0	11100	1320	1647	2647	1600	375	200	280	630	2710	3530	350	
1RQ8 633-4JA20-0CJ0	11250	1320	1647	2647	1600	630	200	280	630	2710	3790	350	
1RQ8 637-4JA20-0CG0	12500	1320	1647	2647	1800	375	200	280	630	2710	3730	350	
1RQ8 637-4JA20-0CJ0	12650	1320	1647	2647	1800	630	200	280	630	2710	3990	350	
1RQ8 713-4JA20-0CG0	15800	1500	1747	2847	2000	375	220	280	710	3090	3980	400	
1RQ8 713-4JA20-0CJ0	15900	1500	1747	2847	2000	630	220	280	710	3090	4230	400	
1RQ8 717-4JA20-0CG0	17950	1500	1747	2847	2240	375	220	280	710	3090	4220	400	
1RQ8 717-4JA20-0CJ0	18050	1500	1747	2847	2240	630	220	280	710	3090	4470	400	
6-pole													
1RQ8 633-6JA20-0CG0	11600	1320	1647	2647	1600	375	200	280	630	2710	3530	350	
1RQ8 633-6JA20-0CJ0	11700	1320	1647	2647	1600	630	200	280	630	2710	3790	350	
1RQ8 637-6JA20-0CG0	12950	1320	1647	2647	1800	375	200	280	630	2710	3730	350	
1RQ8 637-6JA20-0CJ0	13050	1320	1647	2647	1800	630	200	280	630	2710	3990	350	
1RQ8 714-6JA20-0CG0	17100	1500	1747	2847	2000	375	220	280	710	3090	3980	400	
1RQ8 714-6JA20-0CJ0	17250	1500	1747	2847	2000	630	220	280	710	3090	4230	400	
1RQ8 717-6JA20-0CG0	18650	1500	1747	2847	2240	375	220	280	710	3090	4220	400	
1RQ8 717-6JA20-0CJ0	18800	1500	1747	2847	2240	630	220	280	710	3090	4470	400	

Innomotics HV M - 1RE. IC611 6000 V / 50 Hz B3 (IM 1001)																			
Rated power IEC	Article No.	Speed	Rated current I_R	Efficiency				Power factor				Torque T_R	Breakdown torque T_B/ T_R	Locked rotor torque T_{LR}/ T_R	Locked rotor current I_{LR}/ I_R	Inertia			
				5/4 load	4/4 load	3/4 load	2/4 load	5/4 load	4/4 load	3/4 load	2/4 load					motor	external	Startup max T/TR	
kW		rpm	A	%	%	%	%	$\cos \varphi$	$\cos \varphi$	$\cos \varphi$	$\cos \varphi$	Nm	[-]	[-]	[-]	kgm ²	kgm ²	[-]	
2-pole: $n_{sync} = 3000$ rpm at 50 Hz																			
6200	1RE8 633-2JA60-0CJ0	2983	690	96.4	96.8	96.5	95.7	0.87	0.89	0.93	0.93	19848	2.15	0.55	4.9	82	240	o.r.	
6800	1RE8 634-2JA60-0CJ0	2984	750	96.6	96.9	96.7	95.9	0.88	0.90	0.93	0.93	21761	2.30	0.60	5.2	90	250	o.r.	
7500	1RE8 637-2JA60-0CJ0	2985	820	96.8	97.1	96.9	96.1	0.89	0.91	0.94	0.94	23993	2.45	0.65	5.6	99	260	o.r.	
8300	1RE8 638-2JA60-0CJ0	2985	900	97.0	97.2	97.0	96.3	0.90	0.91	0.94	0.94	26552	2.50	0.70	5.6	108	250	o.r.	
4-pole: $n_{sync} = 1500$ rpm at 50 Hz																			
6900	1RE8 637-4JA60-0C.0	1492	760	97.1	97.4	97.5	97.3	0.89	0.90	0.89	0.85	44162	2.45	0.60	5.7	182	780	o.r.	
6-pole: $n_{sync} = 1000$ rpm at 50 Hz																			
4500	1RE8 632-6JA60-0C.2	993	520	96.4	96.8	97.0	96.6	0.85	0.86	0.83	0.75	43275	2.30	0.65	5.0	193	2110	o.r.	
4650	1RE8 633-6JA60-0C.0	993	530	96.4	96.9	97.0	96.7	0.85	0.87	0.84	0.77	44717	2.30	0.65	5.1	209	2400	o.r.	
5350	1RE8 634-6JA60-0C.0	993	620	96.5	97.0	97.1	96.8	0.85	0.86	0.84	0.77	51449	2.25	0.55	4.9	227	2420	o.r.	
5700	1RE8 637-6JA60-0C.0	993	650	96.6	97.0	97.2	96.9	0.85	0.87	0.84	0.78	54815	2.25	0.60	5.0	247	2740	o.r.	
6200	1RE8 638-6JA60-0C.0	993	710	96.7	97.1	97.3	97.0	0.85	0.87	0.84	0.78	59623	2.25	0.60	5.0	265	2900	o.r.	
8-pole: $n_{sync} = 750$ rpm at 50 Hz																			
3400	1RE8 634-8JA60-0C.0	744	395	95.7	96.2	96.2	95.8	0.85	0.86	0.82	0.73	43639	2.20	0.50	4.7	251	4800	o.r.	
4000	1RE8 637-8JA60-0C.2	744	470	96.1	96.5	96.4	96.0	0.85	0.85	0.81	0.72	51340	2.30	0.55	5.0	292	6470	o.r.	
4400	1RE8 638-8JA60-0C.0	744	510	96.2	96.6	96.6	96.2	0.86	0.86	0.82	0.74	56474	2.30	0.55	5.0	326	7130	o.r.	

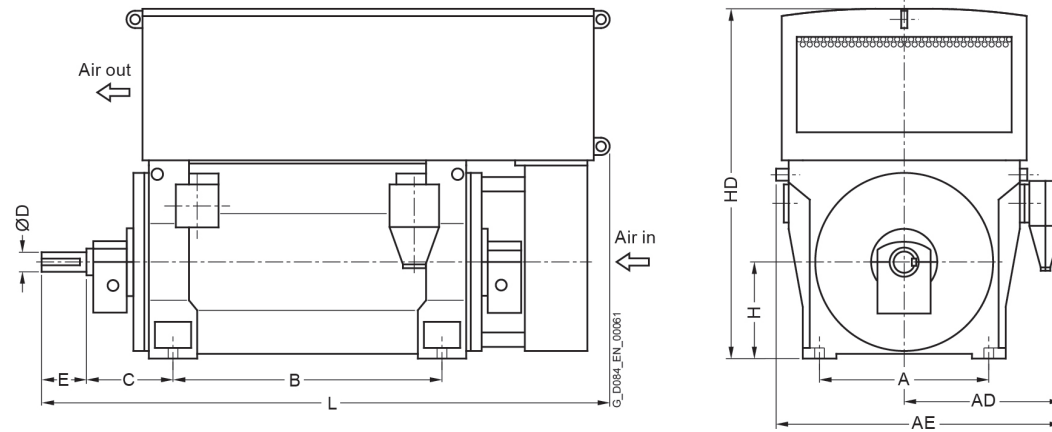


Motor type	Weight	Dimensions										
		A	AD	AE	B	C	D	E	H	HD	L	ML
	kg	mm	mm	mm	mm	mm	mm	mm	mm	mm	mm	mm
Innomotics HV M - 1RE. IC611 6000 V / 50 Hz B3 (IM 1001) - Dimension drawings												
2-pole												
1RE8 633-2JA60-0CJ0	10650	1320	1520	2520	1600	560	160	240	630	2710	3670	350
1RE8 634-2JA60-0CJ0	11150	1320	1520	2520	1600	560	160	240	630	2710	3670	350
1RE8 637-2JA60-0CJ0	12000	1320	1520	2520	1800	560	160	240	630	2710	3870	350
1RE8 638-2JA60-0CJ0	12600	1320	1520	2520	1800	560	160	240	630	2710	3870	350
4-pole												
1RE8 637-4JA60-0CG0	12600	1320	1520	2520	1800	375	200	280	630	2710	3730	350
1RE8 637-4JA60-0CJ0	12750	1320	1520	2520	1800	630	200	280	630	2710	3980	350
6-pole												
1RE8 632-6JA60-0CG2	11400	1320	1520	2520	1600	375	200	280	630	2710	3530	350
1RE8 632-6JA60-0CJ2	11450	1320	1520	2520	1600	630	200	280	630	2710	3780	350
1RE8 633-6JA60-0CG0	11750	1320	1520	2520	1600	375	200	280	630	2710	3530	350
1RE8 633-6JA60-0CJ0	11800	1320	1520	2520	1600	630	200	280	630	2710	3780	350
1RE8 634-6JA60-0CG0	12350	1320	1520	2520	1600	375	200	280	630	2710	3530	350
1RE8 634-6JA60-0CJ0	12450	1320	1520	2520	1600	630	200	280	630	2710	3780	350
1RE8 637-6JA60-0CG0	13100	1320	1520	2520	1800	375	200	280	630	2710	3730	350
1RE8 637-6JA60-0CJ0	13200	1320	1520	2520	1800	630	200	280	630	2710	3980	350
1RE8 638-6JA60-0CG0	13650	1320	1520	2520	1800	375	200	280	630	2710	3730	350
1RE8 638-6JA60-0CJ0	13750	1320	1520	2520	1800	630	200	280	630	2710	3980	350
8-pole												
1RE8 634-8JA60-0CG0	11350	1320	1520	2520	1600	375	200	280	630	2710	3530	350
1RE8 634-8JA60-0CJ0	11400	1320	1520	2520	1600	630	200	280	630	2710	3780	350
1RE8 637-8JA60-0CG2	12550	1320	1520	2520	1800	375	200	280	630	2710	3730	350

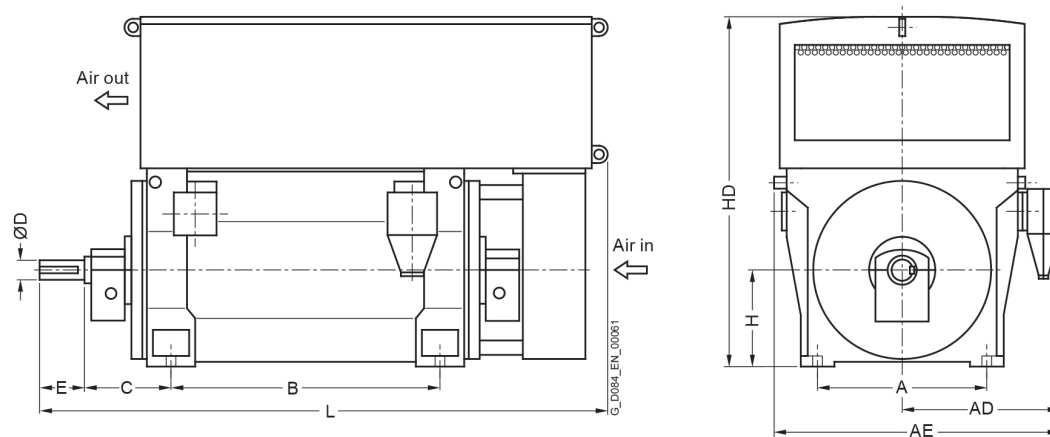


Motor type	Weight	Dimensions										
		A	AD	AE	B	C	D	E	H	HD	L	ML
	kg	mm	mm	mm	mm	mm	mm	mm	mm	mm	mm	mm
Innomotics HV M - 1RE. IC611 6000 V / 50 Hz B3 (IM 1001) - Dimension drawings												
1RE8 637-8JA60-0CJ2	12600	1320	1520	2520	1800	630	200	280	630	2710	3980	350
1RE8 638-8JA60-0CG0	13300	1320	1520	2520	1800	375	200	280	630	2710	3730	350
1RE8 638-8JA60-0CJ0	13350	1320	1520	2520	1800	630	200	280	630	2710	3980	350

Innomotics HV M - 1RE. IC611 10000 V / 50 Hz B3 (IM 1001)																			
Rated power IEC	Article No.	Speed	Rated current I_R	Efficiency				Power factor				Torque T_R	Breakdown torque T_B/ T_R	Locked rotor torque T_{LR}/ T_R	Locked rotor current I_{LR}/ I_R	Inertia			
				5/4 load	4/4 load	3/4 load	2/4 load	5/4 load	4/4 load	3/4 load	2/4 load					motor	external	Startup max T/TR	
kW		rpm	A	%	%	%	%	cos φ	cos φ	cos φ	cos φ	Nm	[-]	[-]	[-]	kgm ²	kgm ²	[-]	
2-pole: $n_{sync} = 3000$ rpm at 50 Hz																			
5800	1RE8 633-2JA80-0CJ0	2984	390	96.4	96.7	96.4	95.6	0.87	0.89	0.93	0.93	18561	2.15	0.60	5.0	82	280	o.r.	
6500	1RE8 634-2JA80-0CJ0	2984	430	96.5	96.8	96.6	95.8	0.87	0.90	0.93	0.93	20801	2.20	0.60	5.0	90	270	o.r.	
6900	1RE8 637-2JA80-0CJ0	2986	450	96.7	97.0	96.7	95.8	0.90	0.91	0.94	0.93	22066	2.60	0.70	6.0	99	290	o.r.	
7550	1RE8 638-2JA80-0CJ0	2986	490	96.9	97.1	96.9	96.1	0.90	0.92	0.94	0.94	24145	2.60	0.70	6.0	108	300	o.r.	
4-pole: $n_{sync} = 1500$ rpm at 50 Hz																			
6600	1RE8 637-4JA80-0C.0	1492	440	97.0	97.4	97.4	97.1	0.88	0.89	0.88	0.83	42242	2.55	0.60	5.9	182	860	o.r.	
7300	1RE8 638-4JA80-0C.0	1492	480	97.2	97.5	97.5	97.2	0.89	0.90	0.88	0.83	46722	2.65	0.70	6.2	198	900	o.r.	
6-pole: $n_{sync} = 1000$ rpm at 50 Hz																			
4500	1RE8 633-6JA80-0C.2	993	310	96.3	96.8	97.0	96.6	0.85	0.87	0.84	0.77	43275	2.25	0.60	5.0	209	2540	o.r.	
4800	1RE8 634-6JA80-0C.0	993	330	96.5	96.9	97.1	96.7	0.86	0.87	0.84	0.78	46160	2.30	0.60	5.1	227	2860	o.r.	
5250	1RE8 637-6JA80-0C.0	993	360	96.5	97.0	97.1	96.8	0.86	0.87	0.85	0.78	50487	2.30	0.60	5.2	247	3130	o.r.	
5700	1RE8 638-6JA80-0C.0	994	390	96.7	97.1	97.2	96.8	0.86	0.87	0.83	0.75	54760	2.55	0.70	5.6	265	3320	o.r.	
8-pole: $n_{sync} = 750$ rpm at 50 Hz																			
3400	1RE8 634-8JA80-0C.0	743	240	95.7	96.2	96.2	95.9	0.85	0.85	0.82	0.74	43698	2.10	0.45	4.6	251	4710	o.r.	
3700	1RE8 637-8JA80-0C.0	745	260	96.1	96.4	96.3	95.8	0.86	0.85	0.80	0.70	47426	2.50	0.55	5.4	292	6290	o.r.	
4000	1RE8 638-8JA80-0C.2	745	280	96.2	96.5	96.4	95.8	0.86	0.85	0.80	0.69	51271	2.60	0.60	5.6	326	7210	o.r.	



Motor type	Weight	Dimensions										
		A	AD	AE	B	C	D	E	H	HD	L	ML
	kg	mm	mm	mm	mm	mm	mm	mm	mm	mm	mm	mm
Innomotics HV M - 1RE. IC611 10000 V / 50 Hz B3 (IM 1001) - Dimension drawings												
2-pole												
1RE8 633-2JA80-0CJ0	10550	1320	1520	2520	1600	560	160	240	630	2710	3670	350
1RE8 634-2JA80-0CJ0	11000	1320	1520	2520	1600	560	160	240	630	2710	3670	350
1RE8 637-2JA80-0CJ0	11800	1320	1520	2520	1800	560	160	240	630	2710	3870	350
1RE8 638-2JA80-0CJ0	12450	1320	1520	2520	1800	560	160	240	630	2710	3870	350
4-pole												
1RE8 637-4JA80-0CG0	12550	1320	1520	2520	1800	375	200	280	630	2710	3730	350
1RE8 637-4JA80-0CJ0	12700	1320	1520	2520	1800	630	200	280	630	2710	3980	350
1RE8 638-4JA80-0CG0	13150	1320	1520	2520	1800	375	200	280	630	2710	3730	350
1RE8 638-4JA80-0CJ0	13250	1320	1520	2520	1800	630	200	280	630	2710	3980	350
6-pole												
1RE8 633-6JA80-0CG2	11700	1320	1520	2520	1600	375	200	280	630	2710	3530	350
1RE8 633-6JA80-0CJ2	11750	1320	1520	2520	1600	630	200	280	630	2710	3780	350
1RE8 634-6JA80-0CG0	12250	1320	1520	2520	1600	375	200	280	630	2710	3530	350
1RE8 634-6JA80-0CJ0	12300	1320	1520	2520	1600	630	200	280	630	2710	3780	350
1RE8 637-6JA80-0CG0	13000	1320	1520	2520	1800	375	200	280	630	2710	3730	350
1RE8 637-6JA80-0CJ0	13050	1320	1520	2520	1800	630	200	280	630	2710	3980	350
1RE8 638-6JA80-0CG0	13500	1320	1520	2520	1800	375	200	280	630	2710	3730	350
1RE8 638-6JA80-0CJ0	13550	1320	1520	2520	1800	630	200	280	630	2710	3980	350
8-pole												
1RE8 634-8JA80-0CG0	11350	1320	1520	2520	1600	375	200	280	630	2710	3530	350
1RE8 634-8JA80-0CJ0	11400	1320	1520	2520	1600	630	200	280	630	2710	3780	350
1RE8 637-8JA80-0CG0	12500	1320	1520	2520	1800	375	200	280	630	2710	3730	350



Motor type	Weight kg	Dimensions										
		A mm	AD mm	AE mm	B mm	C mm	D mm	E mm	H mm	HD mm	L mm	ML mm
Innomotics HV M - 1RE. IC611 10000 V / 50 Hz B3 (IM 1001) - Dimension drawings												
1RE8 637-8JA80-0CJ0	12550	1320	1520	2520	1800	630	200	280	630	2710	3980	350
1RE8 638-8JA80-0CG2	13200	1320	1520	2520	1800	375	200	280	630	2710	3730	350
1RE8 638-8JA80-0CJ2	13250	1320	1520	2520	1800	630	200	280	630	2710	3980	350

Innomotics HV M - 1RQ. IC616 6000 V / 50 Hz B3 (IM 1001)																		
Rated power IEC	Article No.	Speed	Rated current I_R	Efficiency				Power factor				Torque T_R	Breakdown torque T_B/ T_R	Locked rotor torque T_{LR}/ T_R	Locked rotor current I_{LR}/ I_R	Inertia		
				5/4 load	4/4 load	3/4 load	2/4 load	5/4 load	4/4 load	3/4 load	2/4 load					motor	external	Startup max T/TR
kW		rpm	A	%	%	%	%	cos φ	cos φ	cos φ	cos φ	Nm	[-]	[-]	[-]	kgm ²	kgm ²	[-]
2-pole: n_{sync} = 3000 rpm at 50 Hz																		
1410	1RQ7 453-2KA60-0A.2	2978	158	95.5	95.9	96.1	95.5	0.88	0.89	0.88	0.84	4525	2.40	0.55	5.5	10	55	o.r.
1440	1RQ7 453-2KA60-0C.2	2976	162	95.4	96.0	96.2	95.8	0.87	0.89	0.89	0.86	4625	2.15	0.55	4.7	14	135	o.r.
1600	1RQ7 454-2KA60-0A.2	2978	180	95.6	96.0	96.1	95.5	0.88	0.89	0.88	0.83	5133	2.40	0.55	5.5	11	55	o.r.
1600	1RQ7 454-2KA60-0C.2	2978	178	95.6	96.1	96.1	95.5	0.88	0.90	0.89	0.85	5131	2.45	0.60	5.4	15	135	o.r.
1800	1RQ7 457-2KA60-0A.2	2976	200	95.6	96.1	96.4	96.1	0.88	0.90	0.90	0.87	5778	2.40	0.55	5.5	12	55	o.r.
1800	1RQ7 457-2KA60-0C.2	2978	200	95.7	96.2	96.3	95.9	0.90	0.90	0.90	0.87	5774	2.50	0.65	5.5	16	135	o.r.
2000	1RQ7 458-2KA60-0A.2	2976	220	95.9	96.3	96.5	96.1	0.89	0.90	0.90	0.86	6419	2.50	0.60	5.6	13	60	o.r.
2000	1RQ7 458-2KA60-0C.2	2978	220	95.9	96.4	96.6	96.1	0.89	0.90	0.90	0.87	6416	2.50	0.65	5.5	18	140	o.r.
2120	1RQ7 503-2KA60-0A.2	2970	240	95.7	96.2	96.4	96.2	0.88	0.89	0.88	0.84	6817	2.50	0.65	4.9	15	44	o.r.
2200	1RQ7 503-2KA60-0C.2	2975	245	95.9	96.4	96.6	96.3	0.88	0.89	0.89	0.86	7065	2.35	0.65	4.6	20	120	o.r.
2160	1RQ7 504-2KA60-0A.2	2971	240	95.9	96.3	96.5	96.2	0.89	0.90	0.88	0.84	6941	2.65	0.60	5.2	15	52	o.r.
2260	1RQ7 504-2KA60-0C.2	2975	250	96.0	96.4	96.6	96.4	0.89	0.90	0.90	0.85	7255	2.50	0.65	4.8	21	124	o.r.
2510	1RQ7 507-2KA60-0A.2	2973	280	96.2	96.6	96.8	96.5	0.90	0.90	0.89	0.84	8061	2.75	0.75	5.6	18	58	o.r.
2630	1RQ7 507-2KA60-0C.2	2977	290	96.3	96.7	96.9	96.6	0.90	0.91	0.90	0.86	8437	2.60	0.75	5.1	24	128	o.r.
2700	1RQ7 508-2KA60-0A.2	2975	295	96.4	96.8	96.9	96.7	0.91	0.91	0.90	0.85	8664	2.95	0.85	6.1	20	72	o.r.
2840	1RQ7 508-2KA60-0C.2	2979	305	96.5	96.9	97.0	96.8	0.91	0.92	0.91	0.87	9105	2.75	0.85	5.6	27	144	o.r.
3200	1RQ7 562-2KA60-0CC2	2984	350	96.3	96.4	96.3	95.6	0.91	0.91	0.90	0.86	10247	2.55	0.70	5.8	41	260	o.r.
3550	1RQ7 563-2KA60-0CC2	2984	390	96.5	96.6	96.5	95.8	0.90	0.91	0.90	0.86	11367	2.55	0.65	5.7	44	270	o.r.
4000	1RQ7 564-2KA60-0CC2	2983	440	96.4	96.5	96.3	95.6	0.91	0.91	0.91	0.87	12814	2.45	0.65	5.5	47	275	o.r.
4500	1RQ7 567-2KA60-0CC2	2984	485	96.6	96.7	96.5	95.8	0.92	0.92	0.91	0.87	14407	2.60	0.65	5.9	52	275	o.r.
5000	1RQ7 568-2KA60-0CC2	2986	540	96.9	96.8	96.7	95.9	0.92	0.92	0.90	0.86	15993	2.85	0.65	5.9	58	295	o.r.
5600	1RQ8 633-2KA60-0CJ0	2983	630	96.4	96.7	96.4	95.5	0.87	0.89	0.90	0.88	17927	2.20	0.60	5.2	82	250	o.r.
6100	1RQ8 634-2KA60-0CJ0	2983	670	96.5	96.9	96.6	95.8	0.88	0.90	0.90	0.89	19528	2.20	0.60	5.2	90	250	o.r.
6750	1RQ8 637-2KA60-0CJ0	2984	740	96.8	97.1	96.8	96.0	0.89	0.91	0.91	0.90	21601	2.35	0.65	5.5	99	260	o.r.
7300	1RQ8 638-2KA60-0CJ0	2985	790	96.9	97.2	96.9	96.1	0.90	0.91	0.91	0.89	23353	2.50	0.65	5.9	107	270	o.r.
7950	1RQ8 712-2KA60-0CJ0	2986	890	96.6	96.7	96.5	95.6	0.86	0.89	0.89	0.88	25424	2.00	0.55	4.7	149	190	o.r.
8550	1RQ8 713-2KA60-0CJ0	2987	940	96.7	96.9	96.6	95.7	0.87	0.90	0.90	0.88	27334	2.15	0.60	5.1	160	149	o.r.
8800	1RQ8 714-2KA60-0CJ0	2988	970	96.8	96.9	96.6	95.7	0.88	0.90	0.90	0.88	28124	2.25	0.45	5.2	172	240	o.r.
9100	1RQ8 716-2KA60-0CJ0	2985	990	96.8	97.0	96.8	96.1	0.88	0.91	0.92	0.92	29112	2.05	0.55	4.8	186	210	o.r.
10100	1RQ8 717-2KA60-0CJ0	2986	1100	97.0	97.2	97.0	96.4	0.88	0.91	0.92	0.91	32300	2.05	0.55	4.9	201	220	o.r.
11000	1RQ8 718-2KA60-0CJ0	2988	1180	97.3	97.4	97.1	96.4	0.90	0.92	0.91	0.90	35155	2.25	0.50	5.4	217	250	o.r.
4-pole: n_{sync} = 1500 rpm at 50 Hz																		
1320	1RQ7 453-4KA60-0A.2	1483	150	95.0	95.7	95.8	95.6	0.87	0.88	0.86	0.80	8504	2.50	0.70	5.7	17	275	o.r.
1400	1RQ7 453-4KA60-0C.2	1486	160	95.2	95.8	96.0	95.8	0.87	0.88	0.87	0.82	9008	2.25	0.50	5.0	23	500	o.r.
1430	1RQ7 454-4KA60-0A.0	1484	166	95.1	95.7	95.9	95.6	0.87	0.87	0.83	0.74	9206	2.70	0.85	5.9	19	325	o.r.
1600	1RQ7 454-4KA60-0C.2	1486	182	95.4	96.0	96.2	95.9	0.87	0.88	0.86	0.80	10288	2.35	0.50	5.0	26	535	o.r.

Innomotics HV M - 1RQ. IC616 6000 V / 50 Hz B3 (IM 1001)																		
Rated power IEC	Article No.	Speed	Rated current I_R	Efficiency				Power factor				Torque T_R	Breakdown torque T_B/ T_R	Locked rotor torque T_{LR}/ T_R	Locked rotor current I_{LR}/ I_R	Inertia		
				5/4 load	4/4 load	3/4 load	2/4 load	5/4 load	4/4 load	3/4 load	2/4 load					motor	external	Startup max T/TR
kW		rpm	A	%	%	%	%	cos φ	cos φ	cos φ	cos φ	Nm	[-]	[-]	[-]	kgm ²	kgm ²	[-]
1800	1RQ7 457-4KA60-0C.2	1488	205	95.9	96.3	96.4	96.1	0.88	0.88	0.86	0.79	11554	2.65	0.60	6.0	30	690	o.r.
1660	1RQ7 457-4KA60-0A.2	1484	184	95.5	96.1	96.3	96.1	0.89	0.90	0.88	0.83	10686	2.65	0.80	5.8	22	375	o.r.
2000	1RQ7 458-4KA60-0C.2	1489	225	96.0	96.4	96.5	96.2	0.88	0.88	0.86	0.78	12833	2.75	0.60	6.0	33	730	o.r.
1800	1RQ7 458-4KA60-0A.2	1485	200	95.7	96.2	96.4	96.2	0.89	0.90	0.88	0.83	11581	2.75	0.85	6.0	24	410	o.r.
2170	1RQ7 503-4KA60-0C.2	1488	245	96.0	96.4	96.6	96.2	0.89	0.89	0.87	0.82	13931	2.55	0.65	5.2	45	690	o.r.
2100	1RQ7 503-4KA60-0A.2	1485	235	95.7	96.3	96.6	96.3	0.88	0.90	0.89	0.85	13517	2.30	0.80	5.1	37	560	o.r.
2370	1RQ7 504-4KA60-0C.2	1489	260	96.2	96.6	96.7	96.3	0.89	0.90	0.87	0.82	15207	2.60	0.70	5.5	50	735	o.r.
2240	1RQ7 504-4KA60-0A.2	1485	250	95.8	96.4	96.7	96.4	0.89	0.90	0.89	0.86	14412	2.40	0.90	5.4	40	605	o.r.
2650	1RQ7 507-4KA60-0C.2	1490	295	96.4	96.7	96.9	96.4	0.89	0.90	0.87	0.82	16997	2.60	0.70	5.5	56	825	o.r.
2470	1RQ7 507-4KA60-0A.2	1485	270	96.0	96.5	96.8	96.6	0.89	0.91	0.90	0.87	15890	2.50	0.95	5.6	46	675	o.r.
2880	1RQ7 508-4KA60-0C.2	1491	320	96.5	96.8	96.9	96.5	0.89	0.89	0.87	0.81	18460	2.90	0.75	6.0	62	865	o.r.
2700	1RQ7 508-4KA60-0A.2	1488	300	96.2	96.7	97.0	96.8	0.89	0.90	0.90	0.87	17368	2.45	0.90	5.6	50	795	o.r.
3150	1RQ7 563-4KA60-0C.2	1491	355	96.6	96.9	97.1	96.8	0.88	0.88	0.87	0.83	20188	2.35	0.65	5.6	80	680	o.r.
3600	1RQ7 564-4KA60-0C.2	1490	401	96.6	97.0	97.2	97.0	0.88	0.89	0.89	0.86	23090	2.20	0.60	5.2	90	780	o.r.
4100	1RQ7 566-4KA60-0C.2	1490	451	96.7	97.1	97.3	97.2	0.88	0.90	0.90	0.87	26297	2.20	0.70	5.3	100	780	o.r.
4650	1RQ7 567-4KA60-0C.2	1491	517	97.0	97.2	97.4	97.2	0.88	0.89	0.88	0.84	29796	2.40	0.65	5.7	109	860	o.r.
5000	1RQ7 568-4KA60-0C.2	1492	556	97.1	97.3	97.5	97.1	0.89	0.89	0.87	0.81	32005	2.70	0.80	6.5	119	830	o.r.
5500	1RQ8 633-4KA60-0C.0	1491	610	96.6	97.0	96.9	96.4	0.88	0.89	0.88	0.84	35225	2.40	0.60	5.7	151	660	o.r.
5850	1RQ8 634-4KA60-0C.0	1491	640	96.7	97.0	97.0	96.5	0.88	0.90	0.89	0.85	37467	2.40	0.60	5.8	166	760	o.r.
6550	1RQ8 637-4KA60-0C.0	1492	720	96.9	97.2	97.1	96.6	0.89	0.90	0.88	0.84	41922	2.50	0.60	6.0	181	820	o.r.
7250	1RQ8 638-4KA60-0C.0	1492	810	97.0	97.3	97.2	96.7	0.88	0.89	0.87	0.81	46402	2.55	0.60	6.0	197	910	o.r.
7950	1RQ8 712-4KA60-0C.0	1492	880	97.0	97.3	97.3	96.8	0.88	0.89	0.88	0.84	50883	2.35	0.50	5.5	258	830	o.r.
8450	1RQ8 713-4KA60-0C.0	1492	940	97.2	97.4	97.4	96.9	0.89	0.89	0.88	0.84	54083	2.50	0.50	5.8	282	930	o.r.
9150	1RQ8 714-4KA60-0C.0	1493	1000	97.3	97.5	97.5	97.1	0.89	0.90	0.89	0.85	58524	2.60	0.55	6.0	310	1040	o.r.
10100	1RQ8 717-4KA60-0C.0	1493	1100	97.4	97.6	97.6	97.2	0.89	0.90	0.89	0.85	64600	2.60	0.55	6.0	344	1140	o.r.
10350	1RQ8 718-4KA60-0C.0	1492	1120	97.3	97.6	97.7	97.3	0.90	0.91	0.91	0.89	66243	2.55	0.55	6.0	365	1170	o.r.
6-pole: n_{sync} = 1000 rpm at 50 Hz																		
1080	1RQ7 453-6KA60-0A.2	989	128	94.7	95.5	95.8	95.6	0.85	0.85	0.82	0.74	10435	2.20	0.80	5.1	22	845	o.r.
1100	1RQ7 453-6KA60-0C.0	989	130	94.6	95.4	95.8	95.7	0.85	0.86	0.84	0.77	10628	2.25	0.65	5.0	30	1030	o.r.
1230	1RQ7 454-6KA60-0C.2	989	146	94.9	95.6	95.9	95.8	0.85	0.85	0.83	0.75	11883	2.30	0.65	5.0	33	1300	o.r.
1120	1RQ7 454-6KA60-0A.2	990	132	94.8	95.6	95.9	95.8	0.85	0.86	0.83	0.75	10816	2.40	0.85	5.5	24	875	o.r.
1320	1RQ7 457-6KA60-0A.0	990	156	95.0	95.7	96.0	95.9	0.85	0.85	0.82	0.74	12747	2.40	0.80	5.3	28	1130	o.r.
1350	1RQ7 457-6KA60-0C.0	989	158	95.0	95.7	96.0	96.0	0.85	0.86	0.84	0.77	13034	2.35	0.65	5.1	36	1365	o.r.
1420	1RQ7 458-6KA60-0A.2	991	166	95.3	95.9	96.2	96.0	0.86	0.86	0.82	0.73	13697	2.55	0.90	5.8	31	1250	o.r.
1450	1RQ7 458-6KA60-0C.2	990	168	95.3	96.0	96.2	96.1	0.86	0.87	0.84	0.77	13990	2.50	0.70	5.3	41	1470	o.r.
1880	1RQ7 503-6KA60-0C.2	992	210	95.8	96.3	96.5	96.3	0.84	0.86	0.82	0.74	18109	2.35	0.75	4.7	60	1740	o.r.
1860	1RQ7 503-6KA60-0A.2	990	210	95.4	96.1	96.5	96.5	0.84	0.86	0.84	0.78	17956	2.15	0.85	4.6	46	1560	o.r.

Innomotics HV M - 1RQ. IC616 6000 V / 50 Hz B3 (IM 1001)																		
Rated power IEC	Article No.	Speed	Rated current I_R	Efficiency				Power factor				Torque T_R	Breakdown torque T_B/ T_R	Locked rotor torque T_{LR}/ T_R	Locked rotor current I_{LR}/ I_R	Inertia		
				5/4 load	4/4 load	3/4 load	2/4 load	5/4 load	4/4 load	3/4 load	2/4 load					motor	external	Startup max T/TR
kW		rpm	A	%	%	%	%	cos φ	cos φ	cos φ	cos φ	Nm	[-]	[-]	[-]	kgm ²	kgm ²	[-]
1960	1RQ7 504-6KA60-0A.2	990	230	95.7	96.3	96.6	96.5	0.85	0.86	0.84	0.77	18901	2.35	0.90	5.0	51	1890	o.r.
2000	1RQ7 504-6KA60-0C.2	992	230	95.9	96.4	96.7	96.5	0.85	0.86	0.84	0.77	19263	2.40	0.85	4.9	66	2070	o.r.
2280	1RQ7 507-6KA60-0C.2	992	260	96.1	96.6	96.8	96.7	0.85	0.86	0.84	0.77	21960	2.35	0.75	4.8	74	2440	o.r.
2000	1RQ7 507-6KA60-0A.2	990	230	95.6	96.2	96.7	96.7	0.86	0.86	0.87	0.82	19302	2.15	0.90	4.7	58	1800	o.r.
2310	1RQ7 508-6KA60-0C.2	992	265	96.1	96.7	96.9	96.8	0.86	0.86	0.86	0.80	22248	2.30	0.80	4.7	80	2270	o.r.
2260	1RQ7 508-6KA60-0A.2	990	255	95.9	96.4	96.9	96.8	0.86	0.86	0.86	0.82	21803	2.25	0.90	4.9	63	2240	o.r.
2500	1RQ7 561-6KA60-0C.2	992	290	95.8	96.3	96.6	96.5	0.85	0.86	0.85	0.81	24089	1.90	0.60	5.5	97	2025	o.r.
2700	1RQ7 562-6KA60-0C.2	992	315	96.0	96.4	96.7	96.7	0.85	0.86	0.85	0.82	26010	2.00	0.60	5.5	105	2245	o.r.
2900	1RQ7 563-6KA60-0C.2	992	335	96.0	96.6	96.7	96.5	0.85	0.86	0.85	0.81	27928	2.00	0.60	5.5	113	2540	o.r.
3250	1RQ7 564-6KA60-0C.2	992	375	96.1	96.6	96.8	96.6	0.85	0.86	0.86	0.81	31299	2.00	0.60	5.5	124	2485	o.r.
3450	1RQ7 567-6KA60-0C.2	993	400	96.3	96.7	96.9	96.7	0.86	0.86	0.86	0.81	33189	2.00	0.60	5.5	137	2885	o.r.
3800	1RQ7 568-6KA60-0C.2	993	440	96.6	96.9	97.0	96.8	0.86	0.86	0.85	0.80	36543	2.00	0.60	6.0	151	3430	o.r.
4200	1RQ8 632-6KA60-0C.0	992	485	96.2	96.6	96.7	96.2	0.85	0.86	0.83	0.76	40430	2.25	0.55	5.1	193	2140	o.r.
4400	1RQ8 633-6KA60-0C.0	992	500	96.2	96.7	96.8	96.4	0.85	0.87	0.85	0.80	42356	2.20	0.60	5.1	209	2370	o.r.
4850	1RQ8 634-6KA60-0C.0	993	560	96.5	96.8	96.9	96.3	0.85	0.86	0.82	0.74	46641	2.40	0.60	5.4	227	2640	o.r.
5150	1RQ8 637-6KA60-0C.0	993	590	96.6	96.9	96.9	96.4	0.86	0.87	0.83	0.76	49526	2.50	0.60	5.5	247	2930	o.r.
5400	1RQ8 638-6KA60-0C.0	993	620	96.7	97.0	97.0	96.5	0.86	0.87	0.83	0.75	51930	2.50	0.60	5.5	264	3300	o.r.
6150	1RQ8 712-6KA60-0C.0	993	700	96.8	97.2	97.3	96.9	0.85	0.87	0.85	0.79	59142	2.25	0.55	5.3	331	2520	o.r.
6700	1RQ8 713-6KA60-0C.0	994	760	96.9	97.3	97.4	97.0	0.86	0.87	0.86	0.80	64366	2.30	0.55	5.4	373	2990	o.r.
7350	1RQ8 714-6KA60-0C.0	995	840	97.1	97.4	97.4	96.9	0.85	0.86	0.83	0.74	70540	2.40	0.50	5.5	420	3730	o.r.
8150	1RQ8 717-6KA60-0C.0	995	940	97.2	97.5	97.5	97.0	0.85	0.86	0.83	0.75	78218	2.45	0.50	5.5	474	4310	o.r.
8650	1RQ8 718-6KA60-0C.0	995	960	97.2	97.6	97.7	97.4	0.88	0.89	0.87	0.83	83016	2.45	0.60	5.5	524	4370	o.r.
8-pole: $n_{sync} = 750$ rpm at 50 Hz																		
740	1RQ7 452-8KA60-0A.0	739	93	93.8	94.9	95.4	95.3	0.79	0.81	0.78	0.70	9562	1.80	0.60	4.2	25	1710	o.r.
840	1RQ7 453-8KA60-0A.0	739	104	94.0	95.1	95.5	95.5	0.80	0.81	0.78	0.70	10852	1.80	0.55	4.1	28	2070	o.r.
910	1RQ7 454-8KA60-0A.2	740	114	94.4	95.3	95.6	95.4	0.81	0.81	0.77	0.68	11739	2.00	0.65	4.5	31	2310	o.r.
1010	1RQ7 457-8KA60-0A.2	741	128	94.8	95.5	95.6	95.3	0.81	0.80	0.75	0.63	13015	2.20	0.70	4.8	35	2700	o.r.
1120	1RQ7 458-8KA60-0A.2	741	140	94.7	95.5	95.7	95.5	0.81	0.81	0.76	0.65	14441	2.10	0.70	4.8	39	2750	o.r.
1250	1RQ7 502-8KA60-0A.2	743	154	95.3	95.9	96.2	96.1	0.81	0.81	0.78	0.70	16082	2.15	0.85	4.3	46	2580	o.r.
1400	1RQ7 503-8KA60-0A.2	742	172	95.3	96.0	96.4	96.4	0.82	0.82	0.79	0.73	18011	2.05	0.80	4.2	51	2660	o.r.
1400	1RQ7 503-8KA60-0C.2	742	170	95.3	96.0	96.4	96.4	0.82	0.83	0.80	0.74	18021	2.10	0.55	4.0	65	3440	o.r.
1500	1RQ7 504-8KA60-0A.2	743	180	95.5	96.1	96.5	96.5	0.81	0.83	0.81	0.74	19295	2.10	0.80	4.3	56	2900	o.r.
1520	1RQ7 504-8KA60-0C.2	742	184	95.4	96.1	96.5	96.6	0.81	0.83	0.82	0.74	19567	2.10	0.55	4.0	72	4010	o.r.
1600	1RQ7 507-8KA60-0A.2	744	194	95.8	96.3	96.5	96.3	0.83	0.82	0.79	0.69	20560	2.35	0.95	4.8	63	3560	o.r.
1600	1RQ7 507-8KA60-0C.2	743	192	95.8	96.3	96.5	96.4	0.83	0.83	0.79	0.71	20564	2.40	0.70	4.6	80	4900	o.r.
1800	1RQ7 508-8KA60-0A.2	743	215	95.8	96.4	96.7	96.7	0.83	0.83	0.81	0.74	23162	2.15	0.85	4.4	69	3520	o.r.
1800	1RQ7 508-8KA60-0C.2	743	215	95.8	96.4	96.7	96.8	0.83	0.84	0.81	0.74	23164	2.25	0.60	4.3	88	5270	o.r.

Innomotics HV M - 1RQ. IC616 6000 V / 50 Hz B3 (IM 1001)																		
Rated power IEC	Article No.	Speed	Rated current I_R	Efficiency				Power factor				Torque T_R	Breakdown torque T_B/ T_R	Locked rotor torque T_{LR}/ T_R	Locked rotor current I_{LR}/ I_R	Inertia		
				5/4 load	4/4 load	3/4 load	2/4 load	5/4 load	4/4 load	3/4 load	2/4 load					motor	external	Startup max T/TR
kW		rpm	A	%	%	%	%	$\cos \varphi$	$\cos \varphi$	$\cos \varphi$	$\cos \varphi$	Nm	[-]	[-]	[-]	kgm ²	kgm ²	[-]
2050	1RQ7 563-8KA60-0C.2	744	245	95.8	96.3	96.6	96.4	0.83	0.83	0.80	0.73	26327	2.25	0.65	4.9	124	3105	o.r.
2240	1RQ7 564-8KA60-0C.2	744	270	96.0	96.5	96.7	96.4	0.83	0.83	0.80	0.72	28750	2.35	0.65	5.2	137	3690	o.r.
2500	1RQ7 567-8KA60-0C.2	744	295	96.1	96.6	96.9	96.6	0.83	0.84	0.81	0.74	32106	2.25	0.60	5.0	150	4895	o.r.
2800	1RQ7 568-8KA60-0C.2	745	335	96.4	96.8	96.9	96.6	0.83	0.83	0.79	0.71	35921	2.45	0.70	5.4	165	6355	o.r.
2900	1RQ8 633-8KA60-0C.0	743	340	95.5	96.1	96.2	95.9	0.84	0.85	0.82	0.74	37272	2.05	0.45	4.4	216	3890	o.r.
3550	1RQ8 634-8KA60-0C.0	744	415	95.6	96.2	96.2	95.9	0.85	0.86	0.82	0.74	45565	2.20	0.50	4.8	251	3530	o.r.
3850	1RQ8 637-8KA60-0C.0	744	450	96.1	96.4	96.4	95.9	0.85	0.85	0.80	0.70	49415	2.25	0.50	4.8	291	6660	o.r.
4100	1RQ8 638-8KA60-0C.0	744	480	96.2	96.6	96.5	96.0	0.85	0.85	0.81	0.72	52624	2.25	0.50	4.9	324	7800	o.r.
4300	1RQ8 712-8KA60-0C.0	745	455	96.3	96.7	96.8	96.4	0.87	0.87	0.84	0.77	55117	2.35	0.60	5.0	422	6050	o.r.
4600	1RQ8 713-8KA60-0C.0	745	510	96.4	96.8	96.8	96.3	0.87	0.87	0.83	0.74	58962	2.50	0.55	5.3	472	5800	o.r.
5200	1RQ8 714-8KA60-0C.0	745	570	96.6	96.9	96.9	96.5	0.87	0.87	0.83	0.75	66653	2.45	0.55	5.3	540	6300	o.r.
5800	1RQ8 717-8KA60-0C.0	745	630	96.7	97.1	97.1	96.8	0.87	0.88	0.85	0.78	74344	2.40	0.60	5.2	618	8230	o.r.
6150	1RQ8 718-8KA60-0C.0	745	690	96.8	97.1	97.2	96.9	0.88	0.88	0.85	0.79	78830	2.45	0.65	5.4	682	8470	o.r.

Motor type	Weight		Dimensions										
	kg	A	AD	AE	B	C	D	E	H	HD	L	ML	
		mm	mm	mm	mm	mm	mm	mm	mm	mm	mm	mm	mm
Innomotics HV M - 1RQ. IC616 6000 V / 50 Hz B3 (IM 1001) - Dimension drawings													
2-pole													
1RQ7 453-2KA60-0AA2	4650	850	925	1545	1180	250	95	130	450	2350	2640	o.r.	
1RQ7 453-2KA60-0AC2	4550	850	925	1545	1180	475	95	130	450	2350	2870	o.r.	
1RQ7 453-2KA60-0CA2	4800	850	925	1545	1180	250	95	130	450	2350	2640	o.r.	
1RQ7 453-2KA60-0CC2	4700	850	925	1545	1180	475	95	130	450	2350	2870	o.r.	
1RQ7 454-2KA60-0AA2	4750	850	925	1545	1180	250	95	130	450	2350	2640	o.r.	
1RQ7 454-2KA60-0AC2	4650	850	925	1545	1180	475	95	130	450	2350	2870	o.r.	
1RQ7 454-2KA60-0CA2	4900	850	925	1545	1180	250	95	130	450	2350	2640	o.r.	
1RQ7 454-2KA60-0CC2	4800	850	925	1545	1180	475	95	130	450	2350	2870	o.r.	
1RQ7 457-2KA60-0AA2	5200	850	925	1545	1400	250	95	130	450	2350	2850	o.r.	
1RQ7 457-2KA60-0AC2	5050	850	925	1545	1400	475	95	130	450	2350	3080	o.r.	
1RQ7 457-2KA60-0CA2	5300	850	925	1545	1400	250	95	130	450	2350	2850	o.r.	
1RQ7 457-2KA60-0CC2	5200	850	925	1545	1400	475	95	130	450	2350	3080	o.r.	
1RQ7 458-2KA60-0AA2	5400	850	925	1545	1400	250	95	130	450	2350	2850	o.r.	
1RQ7 458-2KA60-0AC2	5300	850	925	1545	1400	475	95	130	450	2350	3080	o.r.	
1RQ7 458-2KA60-0CA2	5550	850	925	1545	1400	250	95	130	450	2350	2850	o.r.	
1RQ7 458-2KA60-0CC2	5450	850	925	1545	1400	475	95	130	450	2350	3080	o.r.	
1RQ7 503-2KA60-0AA2	6400	950	1005	1705	1320	250	110	165	500	2710	2920	o.r.	
1RQ7 503-2KA60-0AC2	6350	950	1005	1705	1320	530	120	165	500	2710	3200	o.r.	
1RQ7 503-2KA60-0CA2	6550	950	1005	1705	1320	250	110	165	500	2710	2920	o.r.	
1RQ7 503-2KA60-0CC2	6500	950	1005	1705	1320	530	120	165	500	2710	3200	o.r.	
1RQ7 504-2KA60-0AA2	6450	950	1005	1705	1320	250	110	165	500	2710	2920	o.r.	
1RQ7 504-2KA60-0AC2	6400	950	1005	1705	1320	530	120	165	500	2710	3200	o.r.	
1RQ7 504-2KA60-0CA2	6600	950	1005	1705	1320	250	110	165	500	2710	2920	o.r.	
1RQ7 504-2KA60-0CC2	6550	950	1005	1705	1320	530	120	165	500	2710	3200	o.r.	
1RQ7 507-2KA60-0AA2	7200	950	1005	1705	1500	250	110	165	500	2710	3130	o.r.	
1RQ7 507-2KA60-0AC2	7150	950	1005	1705	1500	530	120	165	500	2710	3410	o.r.	
1RQ7 507-2KA60-0CA2	7350	950	1005	1705	1500	250	110	165	500	2710	3130	o.r.	
1RQ7 507-2KA60-0CC2	7300	950	1005	1705	1500	530	120	165	500	2710	3410	o.r.	
1RQ7 508-2KA60-0AA2	7500	950	1005	1705	1500	250	110	165	500	2710	3130	o.r.	
1RQ7 508-2KA60-0AC2	7450	950	1005	1705	1500	530	120	165	500	2710	3410	o.r.	
1RQ7 508-2KA60-0CA2	7700	950	1005	1705	1500	250	110	165	500	2710	3130	o.r.	
1RQ7 508-2KA60-0CC2	7600	950	1005	1705	1500	530	120	165	500	2710	3410	o.r.	
1RQ7 562-2KA60-0CC2	8200	1060	1290	2060	1400	600	150	200	560	2830	3440	o.r.	
1RQ7 563-2KA60-0CC2	8500	1060	1290	2060	1400	600	150	200	560	2830	3440	o.r.	
1RQ7 564-2KA60-0CC2	8750	1060	1290	2060	1400	600	150	200	560	2830	3440	o.r.	
1RQ7 567-2KA60-0CC2	9600	1060	1290	2060	1600	600	150	200	560	2830	3670	o.r.	

Motor type	Weight	Dimensions										
	kg	A mm	AD mm	AE mm	B mm	C mm	D mm	E mm	H mm	HD mm	L mm	ML mm
Innomotics HV M - 1RQ. IC616 6000 V / 50 Hz B3 (IM 1001) - Dimension drawings												
1RQ7 568-2KA60-0CC2	10250	1060	1290	2060	1600	600	150	200	560	2830	3670	o.r.
1RQ8 633-2KA60-0CJ0	11000	1320	1520	2520	1600	560	160	240	630	3800	4060	o.r.
1RQ8 634-2KA60-0CJ0	11550	1320	1520	2520	1600	560	160	240	630	3800	4060	o.r.
1RQ8 637-2KA60-0CJ0	12500	1320	1520	2520	1800	560	160	240	630	3800	4260	o.r.
1RQ8 638-2KA60-0CJ0	13050	1320	1520	2520	1800	560	160	240	630	3800	4260	o.r.
1RQ8 712-2KA60-0CJ0	14550	1500	1620	2720	2000	560	180	240	710	3090	4070	o.r.
1RQ8 713-2KA60-0CJ0	15150	1500	1620	2720	2000	560	180	240	710	3090	4070	o.r.
1RQ8 714-2KA60-0CJ0	15750	1500	1620	2720	2000	560	180	240	710	3090	4070	o.r.
1RQ8 716-2KA60-0CJ0	16900	1500	1620	2720	2240	560	180	240	710	3090	4310	o.r.
1RQ8 717-2KA60-0CJ0	17800	1500	1620	2720	2240	560	180	240	710	3090	4310	o.r.
1RQ8 718-2KA60-0CJ0	18800	1500	1620	2720	2240	560	180	240	710	3090	4310	o.r.
4-pole												
1RQ7 453-4KA60-0AA2	4600	850	925	1545	1180	250	130	200	450	2350	2710	o.r.
1RQ7 453-4KA60-0AC2	4650	850	925	1545	1180	500	130	200	450	2350	2960	o.r.
1RQ7 453-4KA60-0CA2	4800	850	925	1545	1180	250	130	200	450	2350	2710	o.r.
1RQ7 453-4KA60-0CC2	4800	850	925	1545	1180	500	130	200	450	2350	2960	o.r.
1RQ7 454-4KA60-0AA0	4750	850	925	1545	1180	250	130	200	450	2350	2710	o.r.
1RQ7 454-4KA60-0AC0	4800	850	925	1545	1180	500	130	200	450	2350	2960	o.r.
1RQ7 454-4KA60-0CA2	4950	850	925	1545	1180	250	130	200	450	2350	2710	o.r.
1RQ7 454-4KA60-0CC2	5000	850	925	1545	1180	500	130	200	450	2350	2960	o.r.
1RQ7 457-4KA60-0CA2	5600	850	925	1545	1400	250	130	200	450	2350	2920	o.r.
1RQ7 457-4KA60-0CC2	5650	850	925	1545	1400	500	130	200	450	2350	3170	o.r.
1RQ7 457-4KA60-0AA2	5400	850	925	1545	1400	250	130	200	450	2350	2920	o.r.
1RQ7 457-4KA60-0AC2	5450	850	925	1545	1400	500	130	200	450	2350	3170	o.r.
1RQ7 458-4KA60-0CA2	5850	850	925	1545	1400	250	130	200	450	2350	2920	o.r.
1RQ7 458-4KA60-0CC2	5850	850	925	1545	1400	500	130	200	450	2350	3170	o.r.
1RQ7 458-4KA60-0AA2	5600	850	925	1545	1400	250	130	200	450	2350	2920	o.r.
1RQ7 458-4KA60-0AC2	5650	850	925	1545	1400	500	130	200	450	2350	3170	o.r.
1RQ7 503-4KA60-0CA2	6800	950	1005	1705	1320	315	160	240	500	2710	3060	o.r.
1RQ7 503-4KA60-0CC2	6850	950	1005	1705	1320	560	170	240	500	2710	3300	o.r.
1RQ7 503-4KA60-0AA2	6650	950	1005	1705	1320	315	160	240	500	2710	3060	o.r.
1RQ7 503-4KA60-0AC2	6750	950	1005	1705	1320	560	170	240	500	2710	3300	o.r.
1RQ7 504-4KA60-0CA2	7050	950	1005	1705	1320	315	160	240	500	2710	3060	o.r.
1RQ7 504-4KA60-0CC2	7150	950	1005	1705	1320	560	170	240	500	2710	3300	o.r.
1RQ7 504-4KA60-0AA2	6900	950	1005	1705	1320	315	160	240	500	2710	3060	o.r.
1RQ7 504-4KA60-0AC2	6950	950	1005	1705	1320	560	170	240	500	2710	3300	o.r.
1RQ7 507-4KA60-0CA2	7800	950	1005	1705	1500	315	160	240	500	2710	3270	o.r.

Motor type	Weight		Dimensions									
	kg	A mm	AD mm	AE mm	B mm	C mm	D mm	E mm	H mm	HD mm	L mm	ML mm
Innomotics HV M - 1RQ. IC616 6000 V / 50 Hz B3 (IM 1001) - Dimension drawings												
1RQ7 507-4KA60-0CC2	7850	950	1005	1705	1500	560	170	240	500	2710	3510	o.r.
1RQ7 507-4KA60-0AA2	7600	950	1005	1705	1500	315	160	240	500	2710	3270	o.r.
1RQ7 507-4KA60-0AC2	7650	950	1005	1705	1500	560	170	240	500	2710	3510	o.r.
1RQ7 508-4KA60-0CA2	8150	950	1005	1705	1500	315	160	240	500	2710	3270	o.r.
1RQ7 508-4KA60-0CC2	8250	950	1005	1705	1500	560	170	240	500	2710	3510	o.r.
1RQ7 508-4KA60-0AA2	7950	950	1005	1705	1500	315	160	240	500	2710	3270	o.r.
1RQ7 508-4KA60-0AC2	8050	950	1005	1705	1500	560	170	240	500	2710	3510	o.r.
1RQ7 563-4KA60-0CA2	8550	1060	1290	2060	1400	335	190	280	560	2830	3250	o.r.
1RQ7 563-4KA60-0CC2	8650	1060	1290	2060	1400	600	190	280	560	2830	3520	o.r.
1RQ7 564-4KA60-0CA2	9050	1060	1290	2060	1400	335	190	280	560	2830	3250	o.r.
1RQ7 564-4KA60-0CC2	9100	1060	1290	2060	1400	600	190	280	560	2830	3520	o.r.
1RQ7 566-4KA60-0CA2	9850	1060	1290	2060	1600	335	190	280	560	2830	3480	o.r.
1RQ7 566-4KA60-0CC2	9900	1060	1290	2060	1600	600	190	280	560	2830	3750	o.r.
1RQ7 567-4KA60-0CA2	10350	1060	1290	2060	1600	335	190	280	560	2830	3480	o.r.
1RQ7 567-4KA60-0CC2	10400	1060	1290	2060	1600	600	190	280	560	2830	3750	o.r.
1RQ7 568-4KA60-0CA2	10800	1060	1290	2060	1600	335	190	280	560	2830	3480	o.r.
1RQ7 568-4KA60-0CC2	10850	1060	1290	2060	1600	600	190	280	560	2830	3750	o.r.
1RQ8 633-4KA60-0CG0	11750	1320	1520	2520	1600	375	200	280	630	3800	3920	o.r.
1RQ8 633-4KA60-0CJ0	11850	1320	1520	2520	1600	630	200	280	630	3800	4170	o.r.
1RQ8 634-4KA60-0CG0	12150	1320	1520	2520	1600	375	200	280	630	3800	3920	o.r.
1RQ8 634-4KA60-0CJ0	12250	1320	1520	2520	1600	630	200	280	630	3800	4170	o.r.
1RQ8 637-4KA60-0CG0	13050	1320	1520	2520	1800	375	200	280	630	3800	4120	o.r.
1RQ8 637-4KA60-0CJ0	13150	1320	1520	2520	1800	630	200	280	630	3800	4370	o.r.
1RQ8 638-4KA60-0CG0	13750	1320	1520	2520	1800	375	200	280	630	3800	4120	o.r.
1RQ8 638-4KA60-0CJ0	13900	1320	1520	2520	1800	630	200	280	630	3800	4370	o.r.
1RQ8 712-4KA60-0CG0	15700	1500	1620	2720	2000	375	220	280	710	3090	3920	o.r.
1RQ8 712-4KA60-0CJ0	15800	1500	1620	2720	2000	630	220	280	710	3090	4180	o.r.
1RQ8 713-4KA60-0CG0	16350	1500	1620	2720	2000	375	220	280	710	3090	3920	o.r.
1RQ8 713-4KA60-0CJ0	16500	1500	1620	2720	2000	630	220	280	710	3090	4180	o.r.
1RQ8 714-4KA60-0CG0	17200	1500	1620	2720	2000	375	220	280	710	3090	3920	o.r.
1RQ8 714-4KA60-0CJ0	17300	1500	1620	2720	2000	630	220	280	710	3090	4180	o.r.
1RQ8 717-4KA60-0CG0	18450	1500	1620	2720	2240	375	220	280	710	3090	4160	o.r.
1RQ8 717-4KA60-0CJ0	18600	1500	1620	2720	2240	630	220	280	710	3090	4420	o.r.
1RQ8 718-4KA60-0CG0	19050	1500	1620	2720	2240	375	220	280	710	3090	4160	o.r.
1RQ8 718-4KA60-0CJ0	19200	1500	1620	2720	2240	630	220	280	710	3090	4420	o.r.
6-pole												
1RQ7 453-6KA60-0AA2	4650	850	925	1545	1180	250	130	200	450	2350	2710	o.r.

Motor type	Weight	Dimensions										
	kg	A mm	AD mm	AE mm	B mm	C mm	D mm	E mm	H mm	HD mm	L mm	ML mm
Innomotics HV M - 1RQ. IC616 6000 V / 50 Hz B3 (IM 1001) - Dimension drawings												
1RQ7 453-6KA60-0AC2	4650	850	925	1545	1180	500	130	200	450	2350	2960	o.r.
1RQ7 453-6KA60-0CA0	4800	850	925	1545	1180	250	130	200	450	2350	2710	o.r.
1RQ7 453-6KA60-0CC0	4800	850	925	1545	1180	500	130	200	450	2350	2960	o.r.
1RQ7 454-6KA60-0CA2	5000	850	925	1545	1180	250	130	200	450	2350	2710	o.r.
1RQ7 454-6KA60-0CC2	5000	850	925	1545	1180	500	130	200	450	2350	2960	o.r.
1RQ7 454-6KA60-0AA2	4800	850	925	1545	1180	250	130	200	450	2350	2710	o.r.
1RQ7 454-6KA60-0AC2	4800	850	925	1545	1180	500	130	200	450	2350	2960	o.r.
1RQ7 457-6KA60-0AA0	5300	850	925	1545	1400	250	130	200	450	2350	2920	o.r.
1RQ7 457-6KA60-0AC0	5350	850	925	1545	1400	500	130	200	450	2350	3170	o.r.
1RQ7 457-6KA60-0CA0	5500	850	925	1545	1400	250	130	200	450	2350	2920	o.r.
1RQ7 457-6KA60-0CC0	5500	850	925	1545	1400	500	130	200	450	2350	3170	o.r.
1RQ7 458-6KA60-0AA2	5550	850	925	1545	1400	250	130	200	450	2350	2920	o.r.
1RQ7 458-6KA60-0AC2	5600	850	925	1545	1400	500	130	200	450	2350	3170	o.r.
1RQ7 458-6KA60-0CA2	5800	850	925	1545	1400	250	130	200	450	2350	2920	o.r.
1RQ7 458-6KA60-0CC2	5800	850	925	1545	1400	500	130	200	450	2350	3170	o.r.
1RQ7 503-6KA60-0CA2	6950	950	1005	1705	1320	315	160	240	500	2620	3060	o.r.
1RQ7 503-6KA60-0CC2	7000	950	1005	1705	1320	560	170	240	500	2620	3300	o.r.
1RQ7 503-6KA60-0AA2	6750	950	1005	1705	1320	315	160	240	500	2620	3060	o.r.
1RQ7 503-6KA60-0AC2	6800	950	1005	1705	1320	560	170	240	500	2620	3300	o.r.
1RQ7 504-6KA60-0AA2	7000	950	1005	1705	1320	315	160	240	500	2620	3060	o.r.
1RQ7 504-6KA60-0AC2	7050	950	1005	1705	1320	560	170	240	500	2620	3300	o.r.
1RQ7 504-6KA60-0CA2	7200	950	1005	1705	1320	315	160	240	500	2620	3060	o.r.
1RQ7 504-6KA60-0CC2	7250	950	1005	1705	1320	560	170	240	500	2620	3300	o.r.
1RQ7 507-6KA60-0CA2	7950	950	1005	1705	1500	315	160	240	500	2620	3270	o.r.
1RQ7 507-6KA60-0CC2	8000	950	1005	1705	1500	560	170	240	500	2620	3510	o.r.
1RQ7 507-6KA60-0AA2	7650	950	1005	1705	1500	315	160	240	500	2620	3270	o.r.
1RQ7 507-6KA60-0AC2	7700	950	1005	1705	1500	560	170	240	500	2620	3510	o.r.
1RQ7 508-6KA60-0CA2	8250	950	1005	1705	1500	315	160	240	500	2620	3270	o.r.
1RQ7 508-6KA60-0CC2	8350	950	1005	1705	1500	560	170	240	500	2620	3510	o.r.
1RQ7 508-6KA60-0AA2	8000	950	1005	1705	1500	315	160	240	500	2620	3270	o.r.
1RQ7 508-6KA60-0AC2	8050	950	1005	1705	1500	560	170	240	500	2620	3510	o.r.
1RQ7 561-6KA60-0CA2	8550	1060	1290	2060	1400	335	190	280	560	2830	3250	o.r.
1RQ7 561-6KA60-0CC2	8650	1060	1290	2060	1400	600	190	280	560	2830	3520	o.r.
1RQ7 562-6KA60-0CA2	8900	1060	1290	2060	1400	335	190	280	560	2830	3250	o.r.
1RQ7 562-6KA60-0CC2	8950	1060	1290	2060	1400	600	190	280	560	2830	3520	o.r.
1RQ7 563-6KA60-0CA2	9200	1060	1290	2060	1400	335	190	280	560	2830	3250	o.r.
1RQ7 563-6KA60-0CC2	9250	1060	1290	2060	1400	600	190	280	560	2830	3520	o.r.

Motor type	Weight	Dimensions										
	kg	A mm	AD mm	AE mm	B mm	C mm	D mm	E mm	H mm	HD mm	L mm	ML mm
Innomotics HV M - 1RQ. IC616 6000 V / 50 Hz B3 (IM 1001) - Dimension drawings												
1RQ7 564-6KA60-OCA2	9550	1060	1290	2060	1400	335	190	280	560	2830	3250	o.r.
1RQ7 564-6KA60-OCC2	9650	1060	1290	2060	1400	600	190	280	560	2830	3520	o.r.
1RQ7 567-6KA60-OCA2	10450	1060	1290	2060	1600	335	190	280	560	2830	3480	o.r.
1RQ7 567-6KA60-OCC2	10500	1060	1290	2060	1600	600	190	280	560	2830	3750	o.r.
1RQ7 568-6KA60-OCA2	11100	1060	1290	2060	1600	335	190	280	560	2830	3480	o.r.
1RQ7 568-6KA60-OCC2	11150	1060	1290	2060	1600	600	190	280	560	2830	3750	o.r.
1RQ8 632-6KA60-OCG0	11600	1320	1520	2520	1600	375	200	280	630	3700	3920	o.r.
1RQ8 632-6KA60-OCJ0	11700	1320	1520	2520	1600	630	200	280	630	3700	4170	o.r.
1RQ8 633-6KA60-OCG0	12050	1320	1520	2520	1600	375	200	280	630	3700	3920	o.r.
1RQ8 633-6KA60-OCJ0	12150	1320	1520	2520	1600	630	200	280	630	3700	4170	o.r.
1RQ8 634-6KA60-OCG0	12550	1320	1520	2520	1600	375	200	280	630	3700	3920	o.r.
1RQ8 634-6KA60-OCJ0	12700	1320	1520	2520	1600	630	200	280	630	3700	4170	o.r.
1RQ8 637-6KA60-OCG0	13400	1320	1520	2520	1800	375	200	280	630	3700	4120	o.r.
1RQ8 637-6KA60-OCJ0	13500	1320	1520	2520	1800	630	200	280	630	3700	4370	o.r.
1RQ8 638-6KA60-OCG0	13950	1320	1520	2520	1800	375	200	280	630	3700	4120	o.r.
1RQ8 638-6KA60-OCJ0	14050	1320	1520	2520	1800	630	200	280	630	3700	4370	o.r.
1RQ8 712-6KA60-OCG0	15550	1500	1620	2720	2000	375	220	280	710	3090	3920	o.r.
1RQ8 712-6KA60-OCJ0	15700	1500	1620	2720	2000	630	220	280	710	3090	4180	o.r.
1RQ8 713-6KA60-OCG0	16500	1500	1620	2720	2000	375	220	280	710	3090	3920	o.r.
1RQ8 713-6KA60-OCJ0	16650	1500	1620	2720	2000	630	220	280	710	3090	4180	o.r.
1RQ8 714-6KA60-OCG0	17500	1500	1620	2720	2000	375	220	280	710	3090	3920	o.r.
1RQ8 714-6KA60-OCJ0	17650	1500	1620	2720	2000	630	220	280	710	3090	4180	o.r.
1RQ8 717-6KA60-OCG0	19150	1500	1620	2720	2240	375	220	280	710	3090	4160	o.r.
1RQ8 717-6KA60-OCJ0	19300	1500	1620	2720	2240	630	220	280	710	3090	4420	o.r.
1RQ8 718-6KA60-OCG0	20150	1500	1620	2720	2240	375	220	280	710	3090	4160	o.r.
1RQ8 718-6KA60-OCJ0	20300	1500	1620	2720	2240	630	220	280	710	3090	4420	o.r.
8-pole												
1RQ7 452-8KA60-OAA0	4600	850	925	1545	1180	250	130	200	450	2350	2710	o.r.
1RQ7 452-8KA60-OAC0	4650	850	925	1545	1180	500	130	200	450	2350	2960	o.r.
1RQ7 453-8KA60-OAA0	4850	850	925	1545	1180	250	130	200	450	2350	2710	o.r.
1RQ7 453-8KA60-OAC0	4850	850	925	1545	1180	500	130	200	450	2350	2960	o.r.
1RQ7 454-8KA60-OAA2	5050	850	925	1545	1180	250	130	200	450	2350	2710	o.r.
1RQ7 454-8KA60-OAC2	5100	850	925	1545	1180	500	130	200	450	2350	2960	o.r.
1RQ7 457-8KA60-OAA2	5600	850	925	1545	1400	250	130	200	450	2350	2920	o.r.
1RQ7 457-8KA60-OAC2	5600	850	925	1545	1400	500	130	200	450	2350	3170	o.r.
1RQ7 458-8KA60-OAA2	5850	850	925	1545	1400	250	130	200	450	2350	2920	o.r.
1RQ7 458-8KA60-OAC2	5850	850	925	1545	1400	500	130	200	450	2350	3170	o.r.

Motor type	Weight		Dimensions										
	kg	A	AD	AE	B	C	D	E	H	HD	L	ML	
		mm	mm	mm	mm	mm	mm	mm	mm	mm	mm	mm	mm
Innomotics HV M - 1RQ. IC616 6000 V / 50 Hz B3 (IM 1001) - Dimension drawings													
1RQ7 502-8KA60-0AA2	6450	950	1005	1705	1320	315	160	240	500	2620	3060	o.r.	
1RQ7 502-8KA60-0AC2	6500	950	1005	1705	1320	560	170	240	500	2620	3300	o.r.	
1RQ7 503-8KA60-0AA2	6700	950	1005	1705	1320	315	160	240	500	2620	3060	o.r.	
1RQ7 503-8KA60-0AC2	6750	950	1005	1705	1320	560	170	240	500	2620	3300	o.r.	
1RQ7 503-8KA60-0CA2	6950	950	1005	1705	1320	315	160	240	500	2620	3060	o.r.	
1RQ7 503-8KA60-0CC2	7000	950	1005	1705	1320	560	170	240	500	2620	3300	o.r.	
1RQ7 504-8KA60-0AA2	7000	950	1005	1705	1320	315	160	240	500	2620	3060	o.r.	
1RQ7 504-8KA60-0AC2	7050	950	1005	1705	1320	560	170	240	500	2620	3300	o.r.	
1RQ7 504-8KA60-0CA2	7250	950	1005	1705	1320	315	160	240	500	2620	3060	o.r.	
1RQ7 504-8KA60-0CC2	7300	950	1005	1705	1320	560	170	240	500	2620	3300	o.r.	
1RQ7 507-8KA60-0AA2	7700	950	1005	1705	1500	315	160	240	500	2620	3270	o.r.	
1RQ7 507-8KA60-0AC2	7750	950	1005	1705	1500	560	170	240	500	2620	3510	o.r.	
1RQ7 507-8KA60-0CA2	7950	950	1005	1705	1500	315	160	240	500	2620	3270	o.r.	
1RQ7 507-8KA60-0CC2	8000	950	1005	1705	1500	560	170	240	500	2620	3510	o.r.	
1RQ7 508-8KA60-0AA2	8050	950	1005	1705	1500	315	160	240	500	2620	3270	o.r.	
1RQ7 508-8KA60-0AC2	8100	950	1005	1705	1500	560	170	240	500	2620	3510	o.r.	
1RQ7 508-8KA60-0CA2	8300	950	1005	1705	1500	315	160	240	500	2620	3270	o.r.	
1RQ7 508-8KA60-0CC2	8400	950	1005	1705	1500	560	170	240	500	2620	3510	o.r.	
1RQ7 563-8KA60-0CA2	8900	1060	1075	1845	1400	335	190	280	560	2830	3250	o.r.	
1RQ7 563-8KA60-0CC2	8950	1060	1075	1845	1400	600	190	280	560	2830	3520	o.r.	
1RQ7 564-8KA60-0CA2	9350	1060	1075	1845	1400	335	190	280	560	2830	3250	o.r.	
1RQ7 564-8KA60-0CC2	9400	1060	1075	1845	1400	600	190	280	560	2830	3520	o.r.	
1RQ7 567-8KA60-0CA2	10300	1060	1075	1845	1600	335	190	280	560	2830	3480	o.r.	
1RQ7 567-8KA60-0CC2	10350	1060	1075	1845	1600	600	190	280	560	2830	3750	o.r.	
1RQ7 568-8KA60-0CA2	10800	1060	1075	1845	1600	335	190	280	560	2830	3480	o.r.	
1RQ7 568-8KA60-0CC2	10900	1060	1075	1845	1600	600	190	280	560	2830	3750	o.r.	
1RQ8 633-8KA60-0CG0	10850	1320	1520	2520	1600	375	200	280	630	3700	3920	o.r.	
1RQ8 633-8KA60-0CJ0	10950	1320	1520	2520	1600	630	200	280	630	3700	4170	o.r.	
1RQ8 634-8KA60-0CG0	11600	1320	1520	2520	1600	375	200	280	630	3700	3920	o.r.	
1RQ8 634-8KA60-0CJ0	11700	1320	1520	2520	1600	630	200	280	630	3700	4170	o.r.	
1RQ8 637-8KA60-0CG0	12850	1320	1520	2520	1800	375	200	280	630	3700	4120	o.r.	
1RQ8 637-8KA60-0CJ0	12950	1320	1520	2520	1800	630	200	280	630	3700	4370	o.r.	
1RQ8 638-8KA60-0CG0	13600	1320	1520	2520	1800	375	200	280	630	3700	4120	o.r.	
1RQ8 638-8KA60-0CJ0	13700	1320	1520	2520	1800	630	200	280	630	3700	4370	o.r.	
1RQ8 712-8KA60-0CG0	15000	1500	1620	2720	2000	375	220	280	710	3090	3920	o.r.	
1RQ8 712-8KA60-0CJ0	15150	1500	1620	2720	2000	630	220	280	710	3090	4180	o.r.	
1RQ8 713-8KA60-0CG0	15700	1500	1620	2720	2000	375	220	280	710	3090	3920	o.r.	

Motor type	Weight	Dimensions										
	kg	A mm	AD mm	AE mm	B mm	C mm	D mm	E mm	H mm	HD mm	L mm	ML mm
Innomotics HV M - 1RQ. IC616 6000 V / 50 Hz B3 (IM 1001) - Dimension drawings												
1RQ8 713-8KA60-0CJ0	15900	1500	1620	2720	2000	630	220	280	710	3090	4180	o.r.
1RQ8 714-8KA60-0CG0	16850	1500	1620	2720	2000	375	220	280	710	3090	3920	o.r.
1RQ8 714-8KA60-0CJ0	17050	1500	1620	2720	2000	630	220	280	710	3090	4180	o.r.
1RQ8 717-8KA60-0CG0	18600	1500	1620	2720	2240	375	220	280	710	3090	4160	o.r.
1RQ8 717-8KA60-0CJ0	18750	1500	1620	2720	2240	630	220	280	710	3090	4420	o.r.
1RQ8 718-8KA60-0CG0	19600	1500	1620	2720	2240	375	220	280	710	3090	4160	o.r.
1RQ8 718-8KA60-0CJ0	19800	1500	1620	2720	2240	630	220	280	710	3090	4420	o.r.

Innomotics HV M - 1RQ. IC616 6600 V / 60 Hz B3 (IM 1001)																		
Rated power IEC	Article No.	Speed	Rated current I_R	Efficiency				Power factor				Torque T_R	Breakdown torque T_B/ T_R	Locked torque T_{LR}/ T_R	Locked rotor current I_{LR}/ I_R	Inertia		
				5/4 load	4/4 load	3/4 load	2/4 load	5/4 load	4/4 load	3/4 load	2/4 load					motor	external	Startup max T/TR
kW		rpm	A	%	%	%	%	cos φ	cos φ	cos φ	cos φ	Nm	[-]	[-]	[-]	kgm ²	kgm ²	[-]
2-pole: $n_{sync} = 3600$ rpm at 60 Hz																		
1600	1RQ7 453-2KA10-0A.0	3578	168	95.5	95.8	95.5	94.3	0.86	0.87	0.84	0.78	4270	2.45	0.50	5.9	10	20	o.r.
1600	1RQ7 453-2KA10-0C.0	3579	164	95.5	95.8	95.4	94.3	0.88	0.89	0.88	0.84	4269	2.50	0.60	5.8	14	95	o.r.
1750	1RQ7 454-2KA10-0A.0	3578	182	95.6	96.0	95.8	94.9	0.87	0.88	0.87	0.83	4671	2.45	0.55	5.9	11	20	o.r.
1740	1RQ7 454-2KA10-0C.0	3579	176	95.6	95.9	95.6	94.5	0.89	0.90	0.89	0.86	4643	2.65	0.65	6.0	15	95	o.r.
1950	1RQ7 457-2KA10-0A.0	3580	200	95.8	96.1	95.8	94.8	0.87	0.88	0.85	0.79	5201	2.65	0.55	6.0	12	25	o.r.
1950	1RQ7 457-2KA10-0C.0	3580	198	95.8	96.1	95.8	94.7	0.89	0.90	0.89	0.86	5201	2.65	0.65	6.0	16	100	o.r.
2100	1RQ7 458-2KA10-0A.0	3580	210	96.0	96.3	96.1	95.2	0.89	0.90	0.88	0.84	5602	2.80	0.65	6.2	13	25	o.r.
2100	1RQ7 458-2KA10-0C.0	3580	210	95.9	96.3	96.1	95.2	0.90	0.91	0.91	0.88	5602	2.80	0.70	6.0	17	105	o.r.
2300	1RQ7 502-2KA10-0C.0	3576	240	95.8	96.0	95.9	95.2	0.87	0.88	0.87	0.82	6142	2.35	0.65	4.6	18	70	o.r.
2500	1RQ7 503-2KA10-0C.0	3579	255	96.1	96.3	96.2	95.4	0.88	0.89	0.88	0.83	6670	2.70	0.70	5.3	20	74	o.r.
2600	1RQ7 504-2KA10-0C.0	3580	265	96.2	96.3	96.2	95.4	0.88	0.89	0.88	0.81	6935	2.80	0.80	5.5	21	76	o.r.
2900	1RQ7 507-2KA10-0C.0	3581	290	96.4	96.6	96.5	95.8	0.90	0.90	0.89	0.85	7733	2.85	0.80	5.8	24	82	o.r.
3100	1RQ7 508-2KA10-0C.0	3582	310	96.6	96.8	96.7	96.1	0.91	0.91	0.91	0.87	8264	2.85	0.65	5.8	27	92	o.r.
3670	1RQ7 562-2KA10-0CC0	3584	375	96.0	96.1	95.7	94.7	0.87	0.89	0.88	0.84	9778	2.45	0.60	5.7	41	175	o.r.
3810	1RQ7 563-2KA10-0CC0	3585	385	96.1	96.2	95.9	94.9	0.89	0.90	0.89	0.86	10149	2.70	0.70	6.1	44	185	o.r.
4580	1RQ7 564-2KA10-0CC0	3584	470	95.9	96.0	95.6	94.5	0.88	0.89	0.88	0.85	12203	2.50	0.60	5.7	47	175	o.r.
4840	1RQ7 567-2KA10-0CC0	3585	490	96.1	96.2	95.8	94.7	0.90	0.90	0.90	0.86	12892	2.80	0.65	6.0	52	185	o.r.
5080	1RQ7 568-2KA10-0CC0	3588	510	96.3	96.3	95.8	94.6	0.90	0.90	0.88	0.84	13520	3.20	0.75	6.8	58	210	o.r.
5650	1RQ8 632-2KA10-0CJ0	3581	580	95.9	96.1	95.5	94.0	0.86	0.89	0.89	0.88	15067	2.00	0.50	4.9	75	150	o.r.
6150	1RQ8 633-2KA10-0CJ0	3581	630	96.1	96.3	95.8	94.4	0.87	0.89	0.90	0.89	16400	2.00	0.50	4.9	82	150	o.r.
6650	1RQ8 634-2KA10-0CJ0	3583	670	96.4	96.5	96.0	94.7	0.88	0.90	0.91	0.90	17723	2.15	0.55	5.2	90	150	o.r.
7400	1RQ8 637-2KA10-0CJ0	3583	740	96.6	96.7	96.2	95.0	0.89	0.91	0.92	0.90	19722	2.30	0.60	5.5	99	150	o.r.
7900	1RQ8 638-2KA10-0CJ0	3586	780	96.8	96.9	96.4	95.1	0.91	0.92	0.92	0.90	21037	2.55	0.65	6.0	107	160	o.r.
8700	1RQ8 712-2KA10-0CJ0	3588	880	96.4	96.3	95.6	94.1	0.88	0.90	0.89	0.87	23155	2.15	0.55	5.2	149	90	o.r.
9150	1RQ8 713-2KA10-0CJ0	3586	920	96.5	96.4	95.9	94.5	0.87	0.90	0.90	0.90	24366	2.00	0.50	4.8	160	80	o.r.
9900	1RQ8 714-2KA10-0CJ0	3588	990	96.7	96.6	96.0	94.7	0.90	0.91	0.91	0.89	26348	2.35	0.60	5.6	173	70	o.r.
10500	1RQ8 716-2KA10-0CJ0	3590	1040	96.8	96.6	95.9	94.4	0.90	0.91	0.89	0.85	27930	2.55	0.60	6.2	184	100	o.r.
11250	1RQ8 717-2KA10-0CJ0	3589	1120	97.0	96.8	96.3	95.0	0.90	0.91	0.91	0.89	29933	2.30	0.50	5.6	199	100	o.r.
4-pole: $n_{sync} = 1800$ rpm at 60 Hz																		
1600	1RQ7 453-4KA10-0A.0	1783	168	95.2	95.7	95.7	95.1	0.87	0.87	0.84	0.77	8569	2.40	0.65	5.5	17	175	o.r.
1680	1RQ7 453-4KA10-0C.0	1784	176	95.3	95.8	95.9	95.3	0.86	0.87	0.86	0.81	8993	2.20	0.45	5.0	23	285	o.r.
1830	1RQ7 454-4KA10-0C.0	1786	192	95.6	96.0	96.0	95.3	0.86	0.87	0.83	0.75	9785	2.45	0.50	5.3	25	340	o.r.
1710	1RQ7 454-4KA10-0A.0	1783	180	95.4	95.9	95.8	95.2	0.87	0.87	0.84	0.76	9158	2.55	0.70	6.0	19	215	o.r.
2100	1RQ7 457-4KA10-0C.0	1787	215	95.9	96.3	96.3	95.7	0.88	0.89	0.86	0.80	11222	2.60	0.60	5.8	30	425	o.r.
2000	1RQ7 457-4KA10-0A.0	1783	205	95.7	96.2	96.2	95.7	0.88	0.89	0.87	0.81	10711	2.55	0.70	6.0	22	240	o.r.
2250	1RQ7 458-4KA10-0C.0	1788	230	96.1	96.5	96.4	95.8	0.88	0.89	0.85	0.78	12017	2.80	0.65	6.0	32	475	o.r.

Innomotics HV M - 1RQ. IC616 6600 V / 60 Hz B3 (IM 1001)																		
Rated power IEC	Article No.	Speed	Rated current I_R	Efficiency				Power factor				Torque T_R	Breakdown torque T_B/ T_R	Locked rotor torque T_{LR}/ T_R	Locked rotor current I_{LR}/ I_R	Inertia		
				5/4 load	4/4 load	3/4 load	2/4 load	5/4 load	4/4 load	3/4 load	2/4 load					motor	external	Startup max T/TR
kW		rpm	A	%	%	%	%	cos φ	cos φ	cos φ	cos φ	Nm	[-]	[-]	[-]	kgm ²	kgm ²	[-]
2150	1RQ7 458-4KA10-0A.0	1785	220	95.9	96.3	96.3	95.8	0.88	0.89	0.86	0.80	11502	2.70	0.75	6.0	24	270	o.r.
2600	1RQ7 503-4KA10-0A.0	1786	270	96.1	96.4	96.5	95.8	0.87	0.88	0.86	0.80	13902	2.50	0.75	5.5	37	340	o.r.
2650	1RQ7 503-4KA10-0C.0	1788	270	96.1	96.4	96.5	95.9	0.87	0.89	0.87	0.82	14153	2.45	0.55	5.0	45	355	o.r.
2850	1RQ7 504-4KA10-0A.0	1787	295	96.3	96.5	96.6	95.9	0.88	0.88	0.85	0.79	15230	2.75	0.85	5.9	40	295	o.r.
2900	1RQ7 504-4KA10-0C.0	1789	295	96.4	96.6	96.6	95.9	0.88	0.89	0.86	0.81	15480	2.50	0.55	5.2	50	485	o.r.
3150	1RQ7 507-4KA10-0C.0	1788	315	96.5	96.8	96.8	96.3	0.90	0.90	0.89	0.86	16823	2.55	0.65	5.2	56	405	o.r.
3100	1RQ7 507-4KA10-0A.0	1785	310	96.2	96.7	96.8	96.4	0.88	0.90	0.89	0.87	16584	2.45	0.80	5.3	46	255	o.r.
3350	1RQ7 508-4KA10-0A.0	1786	335	96.4	96.8	96.9	96.5	0.89	0.90	0.89	0.86	17912	2.50	0.80	5.7	50	270	o.r.
3400	1RQ7 508-4KA10-0C.0	1788	340	96.6	96.9	97.0	96.5	0.90	0.90	0.90	0.87	18159	2.45	0.60	5.2	62	545	o.r.
3800	1RQ7 563-4KA10-0C.0	1790	385	96.6	96.9	97.0	96.6	0.88	0.89	0.88	0.85	20272	2.25	0.65	5.4	80	515	o.r.
4100	1RQ7 564-4KA10-0C.0	1789	415	96.7	97.0	97.2	96.9	0.88	0.89	0.90	0.88	21885	2.05	0.55	4.9	90	595	o.r.
4750	1RQ7 566-4KA10-0C.0	1791	475	97.0	97.2	97.3	97.0	0.89	0.90	0.89	0.87	25326	2.30	0.65	5.6	100	625	o.r.
5200	1RQ7 567-4KA10-0C.0	1791	519	97.1	97.3	97.5	97.1	0.89	0.90	0.90	0.87	27725	2.30	0.60	5.5	109	695	o.r.
5700	1RQ7 568-4KA10-0C.0	1791	569	97.2	97.4	97.5	97.2	0.89	0.90	0.89	0.86	30391	2.40	0.65	5.9	119	740	o.r.
6300	1RQ8 633-4KA10-0C.0	1791	640	96.6	96.8	96.5	95.6	0.88	0.89	0.88	0.84	33590	2.45	0.55	5.8	151	380	o.r.
7100	1RQ8 634-4KA10-0C.0	1791	720	96.8	96.9	96.7	95.9	0.88	0.89	0.88	0.84	37856	2.45	0.55	5.8	166	400	o.r.
7500	1RQ8 637-4KA10-0C.0	1792	750	96.9	97.0	96.8	96.1	0.90	0.90	0.90	0.86	39966	2.55	0.65	6.0	182	450	o.r.
8350	1RQ8 638-4KA10-0C.0	1792	830	97.0	97.2	97.0	96.3	0.89	0.90	0.89	0.85	44496	2.55	0.60	6.0	197	500	o.r.
9050	1RQ8 712-4KA10-0C.0	1791	900	97.0	97.2	97.1	96.4	0.89	0.90	0.90	0.87	48253	2.35	0.50	5.7	259	440	o.r.
9600	1RQ8 713-4KA10-0C.0	1792	950	97.1	97.3	97.2	96.5	0.89	0.91	0.90	0.88	51157	2.50	0.55	6.0	284	500	o.r.
10400	1RQ8 714-4KA10-0C.0	1792	1020	97.3	97.4	97.3	96.6	0.90	0.91	0.91	0.88	55420	2.60	0.55	6.0	312	550	o.r.
11550	1RQ8 717-4KA10-0C.0	1792	1140	97.3	97.5	97.4	96.8	0.90	0.91	0.91	0.89	61548	2.60	0.55	6.0	346	580	o.r.
11950	1RQ8 718-4KA10-0C.0	1793	1200	97.4	97.5	97.4	96.7	0.89	0.90	0.89	0.86	63644	2.60	0.50	6.0	361	700	o.r.
6-pole: n_{sync} = 1200 rpm at 60 Hz																		
1220	1RQ7 452-6KA10-0A.0	1189	136	94.9	95.5	95.5	95.0	0.82	0.82	0.75	0.63	9798	2.40	0.80	5.5	20	530	o.r.
1350	1RQ7 453-6KA10-0A.0	1189	148	95.2	95.7	95.8	95.3	0.83	0.83	0.77	0.65	10842	2.40	0.80	5.5	22	610	o.r.
1370	1RQ7 453-6KA10-0C.0	1189	148	95.2	95.7	95.9	95.5	0.84	0.85	0.82	0.74	11003	2.35	0.65	5.3	30	850	o.r.
1420	1RQ7 454-6KA10-0A.0	1189	152	95.2	95.8	96.0	95.7	0.84	0.85	0.82	0.75	11405	2.25	0.80	5.5	24	620	o.r.
1500	1RQ7 454-6KA10-0C.0	1189	162	95.2	95.8	96.0	95.6	0.85	0.85	0.82	0.75	12047	2.35	0.65	5.3	33	880	o.r.
1600	1RQ7 457-6KA10-0A.0	1190	172	95.4	96.0	96.1	95.7	0.84	0.85	0.80	0.70	12839	2.45	0.80	5.5	28	815	o.r.
1620	1RQ7 457-6KA10-0C.0	1190	172	95.4	96.0	96.1	95.8	0.85	0.86	0.83	0.76	13000	2.40	0.65	5.3	36	1030	o.r.
1750	1RQ7 458-6KA10-0A.0	1190	188	95.7	96.2	96.3	96.0	0.85	0.85	0.81	0.73	14043	2.45	0.85	5.7	31	925	o.r.
1760	1RQ7 458-6KA10-0C.0	1191	186	95.7	96.2	96.3	95.9	0.86	0.86	0.83	0.75	14111	2.60	0.75	5.5	41	1120	o.r.
1950	1RQ7 502-6KA10-0A.0	1191	215	95.7	96.1	96.2	95.8	0.83	0.83	0.79	0.70	15635	2.45	0.90	5.1	42	1180	o.r.
2000	1RQ7 502-6KA10-0C.0	1192	210	95.8	96.2	96.4	96.0	0.84	0.86	0.83	0.76	16022	2.30	0.70	4.7	54	1250	o.r.
2170	1RQ7 503-6KA10-0A.0	1191	240	95.8	96.2	96.4	95.9	0.83	0.83	0.79	0.70	17399	2.50	0.95	5.2	46	1300	o.r.
2240	1RQ7 503-6KA10-0C.0	1192	235	95.9	96.3	96.5	96.1	0.84	0.86	0.83	0.76	17945	2.35	0.70	4.7	60	1370	o.r.

Innomotics HV M - 1RQ. IC616 6600 V / 60 Hz B3 (IM 1001)																		
Rated power IEC	Article No.	Speed	Rated current I_R	Efficiency				Power factor				Torque T_R	Breakdown torque T_B/ T_R	Locked rotor torque T_{LR}/ T_R	Locked rotor current I_{LR}/ I_R	Inertia		
				5/4 load	4/4 load	3/4 load	2/4 load	5/4 load	4/4 load	3/4 load	2/4 load					motor	external	Startup max T/TR
kW		rpm	A	%	%	%	%	cos φ	cos φ	cos φ	cos φ	Nm	[-]	[-]	[-]	kgm ²	kgm ²	[-]
2320	1RQ7 504-6KA10-0A.0	1192	255	96.1	96.3	96.4	95.9	0.82	0.82	0.76	0.65	18586	2.75	1.05	5.6	51	1430	o.r.
2420	1RQ7 504-6KA10-0C.0	1193	260	96.2	96.5	96.6	96.1	0.84	0.84	0.81	0.73	19371	2.55	0.80	5.1	66	1500	o.r.
2540	1RQ7 507-6KA10-0A.0	1192	275	96.2	96.5	96.6	96.1	0.83	0.83	0.77	0.67	20348	2.75	1.00	5.8	58	1600	o.r.
2640	1RQ7 507-6KA10-0C.0	1193	285	96.3	96.6	96.7	96.3	0.84	0.84	0.82	0.73	21132	2.50	0.75	5.1	74	1650	o.r.
2750	1RQ7 508-6KA10-0A.0	1191	290	96.2	96.6	96.8	96.5	0.85	0.86	0.84	0.77	22049	2.45	0.95	5.4	63	1780	o.r.
3000	1RQ7 561-6KA10-0C.0	1193	315	96.1	96.5	96.6	96.1	0.85	0.86	0.84	0.78	24013	2.40	0.65	5.4	96	990	o.r.
3550	1RQ7 563-6KA10-0C.0	1193	375	96.4	96.8	96.8	96.4	0.85	0.86	0.84	0.78	28416	2.50	0.65	5.6	112	1230	o.r.
4000	1RQ7 567-6KA10-0C.0	1193	415	96.6	97.0	97.0	96.6	0.86	0.87	0.85	0.81	32018	2.60	0.70	5.8	134	1650	o.r.
4500	1RQ7 568-6KA10-0C.0	1194	465	96.8	97.1	97.2	96.8	0.87	0.87	0.85	0.80	35990	2.65	0.70	5.9	150	1880	o.r.
4900	1RQ8 632-6KA10-0C.0	1193	520	96.4	96.6	96.4	95.5	0.85	0.86	0.81	0.73	39222	2.50	0.55	5.5	193	1280	o.r.
5300	1RQ8 633-6KA10-0C.0	1193	560	96.5	96.7	96.6	95.8	0.85	0.86	0.82	0.74	42424	2.45	0.55	5.5	209	1360	o.r.
5700	1RQ8 634-6KA10-0C.0	1193	590	96.6	96.8	96.7	95.9	0.86	0.87	0.83	0.76	45625	2.45	0.55	5.5	227	1850	o.r.
6200	1RQ8 637-6KA10-0C.0	1193	640	96.7	96.9	96.8	96.1	0.86	0.87	0.84	0.77	49628	2.45	0.55	5.5	247	1650	o.r.
6450	1RQ8 638-6KA10-0C.0	1193	670	96.8	97.0	96.8	96.1	0.86	0.87	0.83	0.76	51629	2.50	0.55	5.5	264	1880	o.r.
7350	1RQ8 712-6KA10-0C.0	1194	760	97.0	97.2	97.1	96.5	0.86	0.87	0.84	0.78	58783	2.40	0.55	5.5	331	1470	o.r.
8100	1RQ8 713-6KA10-0C.0	1194	840	97.1	97.3	97.3	96.8	0.86	0.87	0.86	0.81	64782	2.25	0.50	5.5	374	1670	o.r.
8700	1RQ8 714-6KA10-0C.0	1194	890	97.1	97.4	97.4	96.9	0.87	0.88	0.87	0.82	69580	2.30	0.50	5.5	424	1980	o.r.
9650	1RQ8 717-6KA10-0C.0	1194	980	97.3	97.5	97.5	97.0	0.87	0.88	0.87	0.82	77178	2.40	0.55	5.5	478	2300	o.r.
10000	1RQ8 718-6KA10-0C.0	1195	1040	97.4	97.5	97.5	96.9	0.87	0.87	0.85	0.78	79910	2.50	0.50	5.5	520	2930	o.r.
8-pole: n_{sync} = 900 rpm at 60 Hz																		
960	1RQ7 452-8KA10-0A.0	889	108	94.2	95.2	95.5	95.2	0.79	0.81	0.77	0.68	10312	1.80	0.55	4.5	25	1150	o.r.
990	1RQ7 452-8KA10-0C.0	889	110	94.2	95.2	95.5	95.2	0.81	0.82	0.79	0.70	10634	1.95	0.45	4.5	32	1690	o.r.
1050	1RQ7 453-8KA10-0A.0	890	118	94.5	95.4	95.5	95.1	0.80	0.81	0.76	0.65	11266	1.90	0.60	4.5	28	1310	o.r.
1060	1RQ7 453-8KA10-0C.0	891	118	94.6	95.4	95.6	95.1	0.81	0.82	0.78	0.67	11361	2.10	0.50	5.0	36	1870	o.r.
1100	1RQ7 454-8KA10-0A.0	890	124	94.5	95.4	95.7	95.3	0.80	0.81	0.78	0.68	11803	1.90	0.60	4.5	31	1350	o.r.
1120	1RQ7 454-8KA10-0C.0	891	126	94.7	95.5	95.7	95.3	0.82	0.82	0.79	0.70	12004	2.10	0.50	5.0	40	1860	o.r.
1220	1RQ7 457-8KA10-0A.0	891	140	95.0	95.6	95.6	95.1	0.81	0.80	0.74	0.62	13075	2.20	0.65	5.0	35	1930	o.r.
1240	1RQ7 457-8KA10-0C.0	892	138	95.1	95.7	95.7	95.1	0.82	0.82	0.76	0.65	13275	2.45	0.60	5.5	45	2400	o.r.
1300	1RQ7 458-8KA10-0A.0	892	148	95.1	95.7	95.7	95.2	0.81	0.80	0.75	0.62	13917	2.35	0.70	5.5	39	2200	o.r.
1330	1RQ7 458-8KA10-0C.0	892	148	95.2	95.8	95.8	95.2	0.82	0.82	0.77	0.65	14238	2.54	0.60	5.5	50	2450	o.r.
1400	1RQ7 502-8KA10-0A.0	894	164	95.7	96.0	96.2	95.8	0.80	0.78	0.76	0.65	14954	2.40	0.80	4.6	46	2160	o.r.
1600	1RQ7 503-8KA10-0A.0	893	180	95.7	96.3	96.4	96.1	0.81	0.81	0.78	0.68	17110	2.20	0.75	4.4	51	2290	o.r.
1750	1RQ7 503-8KA10-0C.0	893	194	95.7	96.2	96.4	96.1	0.81	0.82	0.78	0.69	18714	2.25	0.60	4.2	65	2340	o.r.
1900	1RQ7 504-8KA10-0C.0	893	210	95.9	96.3	96.5	96.2	0.82	0.82	0.79	0.70	20318	2.30	0.60	4.3	72	2810	o.r.
1800	1RQ7 504-8KA10-0A.0	893	200	95.9	96.4	96.6	96.3	0.81	0.82	0.79	0.70	19248	2.15	0.75	4.4	56	2420	o.r.
2000	1RQ7 507-8KA10-0A.0	894	225	96.0	96.4	96.5	96.1	0.81	0.81	0.76	0.65	21363	2.40	0.85	4.7	63	2730	o.r.
2100	1RQ7 507-8KA10-0C.0	893	230	96.0	96.4	96.6	96.3	0.82	0.83	0.79	0.70	22456	2.35	0.65	4.4	80	3120	o.r.

Innomotics HV M - 1RQ. IC616 6600 V / 60 Hz B3 (IM 1001)																		
Rated power IEC	Article No.	Speed	Rated current I_R	Efficiency				Power factor				Torque T_R	Breakdown torque T_B / T_R	Locked rotor torque T_{LR} / T_R	Locked rotor current I_{LR} / I_R	Inertia		
				5/4 load	4/4 load	3/4 load	2/4 load	5/4 load	4/4 load	3/4 load	2/4 load					motor	external	Startup max T/TR
kW		rpm	A	%	%	%	%	$\cos \varphi$	$\cos \varphi$	$\cos \varphi$	$\cos \varphi$	Nm	[-]	[-]	[-]	kgm ²	kgm ²	[-]
2200	1RQ7 508-8KA10-0C.0	894	245	96.2	96.5	96.6	96.2	0.82	0.82	0.77	0.67	23499	2.60	0.70	4.8	88	3500	o.r.
2200	1RQ7 508-8KA10-0A.0	893	245	96.1	96.5	96.7	96.4	0.81	0.82	0.78	0.68	23526	2.30	0.85	4.6	69	2940	o.r.
2500	1RQ7 563-8KA10-0C.0	894	275	96.0	96.4	96.7	96.4	0.82	0.82	0.81	0.74	26704	2.05	0.55	4.6	124	2170	o.r.
2700	1RQ7 564-8KA10-0C.0	894	300	96.2	96.5	96.8	96.4	0.83	0.82	0.80	0.73	28840	2.20	0.60	4.9	137	2485	o.r.
3050	1RQ7 567-8KA10-0C.0	894	335	96.4	96.5	97.0	96.6	0.82	0.83	0.81	0.74	32579	2.15	0.55	4.8	150	3750	o.r.
3300	1RQ7 568-8KA10-0C.0	895	365	96.7	96.6	97.0	96.5	0.83	0.82	0.78	0.70	35210	2.50	0.65	5.5	165	4470	o.r.
4100	1RQ8 634-8KA10-0C.0	892	435	95.8	96.3	96.3	95.8	0.84	0.86	0.84	0.78	43893	1.90	0.40	4.2	251	3100	o.r.
4550	1RQ8 637-8KA10-0C.0	893	480	96.1	96.5	96.5	96.0	0.85	0.86	0.84	0.78	48655	2.05	0.40	4.5	292	3820	o.r.
4800	1RQ8 638-8KA10-0C.0	893	500	96.3	96.7	96.6	96.1	0.86	0.87	0.84	0.78	51329	2.10	0.45	4.7	326	4470	o.r.
5150	1RQ8 712-8KA10-0C.0	895	530	96.6	96.9	96.7	96.1	0.87	0.87	0.83	0.75	54948	2.45	0.55	5.3	422	3770	o.r.
5500	1RQ8 713-8KA10-0C.0	895	570	96.7	96.9	96.8	96.1	0.87	0.87	0.83	0.74	58683	2.55	0.60	5.5	472	4490	o.r.
6300	1RQ8 714-8KA10-0C.0	895	650	96.8	97.1	97.0	96.4	0.87	0.87	0.84	0.77	67219	2.40	0.50	5.2	541	4910	o.r.
6900	1RQ8 717-8KA10-0C.0	895	710	96.9	97.2	97.2	96.8	0.87	0.88	0.86	0.80	73620	2.35	0.50	5.2	620	5650	o.r.
7450	1RQ8 718-8KA10-0C.0	895	750	97.0	97.3	97.3	96.9	0.88	0.89	0.86	0.81	79489	2.35	0.50	5.2	684	6240	o.r.

Motor type	Weight		Dimensions										
	kg	A	AD	AE	B	C	D	E	H	HD	L	ML	
		mm	mm	mm	mm	mm	mm	mm	mm	mm	mm	mm	mm
Innomotics HV M - 1RQ. IC616 6600 V / 60 Hz B3 (IM 1001) - Dimension drawings													
2-pole													
1RQ7 453-2KA10-0AA0	4650	850	925	1545	1180	250	95	130	450	2350	2640	o.r.	
1RQ7 453-2KA10-0ACO	4550	850	925	1545	1180	475	95	130	450	2350	2870	o.r.	
1RQ7 453-2KA10-0CA0	4750	850	925	1545	1180	250	95	130	450	2350	2640	o.r.	
1RQ7 453-2KA10-0CC0	4650	850	925	1545	1180	475	95	130	450	2350	2870	o.r.	
1RQ7 454-2KA10-0AA0	4750	850	925	1545	1180	250	95	130	450	2350	2640	o.r.	
1RQ7 454-2KA10-0ACO	4650	850	925	1545	1180	475	95	130	450	2350	2870	o.r.	
1RQ7 454-2KA10-0CA0	4850	850	925	1545	1180	250	95	130	450	2350	2640	o.r.	
1RQ7 454-2KA10-0CC0	4750	850	925	1545	1180	475	95	130	450	2350	2870	o.r.	
1RQ7 457-2KA10-0AA0	5200	850	925	1545	1400	250	95	130	450	2350	2850	o.r.	
1RQ7 457-2KA10-0ACO	5100	850	925	1545	1400	475	95	130	450	2350	3080	o.r.	
1RQ7 457-2KA10-0CA0	5350	850	925	1545	1400	250	95	130	450	2350	2850	o.r.	
1RQ7 457-2KA10-0CC0	5250	850	925	1545	1400	475	95	130	450	2350	3080	o.r.	
1RQ7 458-2KA10-0AA0	5350	850	925	1545	1400	250	95	130	450	2350	2850	o.r.	
1RQ7 458-2KA10-0ACO	5250	850	925	1545	1400	475	95	130	450	2350	3080	o.r.	
1RQ7 458-2KA10-0CA0	5500	850	925	1545	1400	250	95	130	450	2350	2850	o.r.	
1RQ7 458-2KA10-0CC0	5400	850	925	1545	1400	475	95	130	450	2350	3080	o.r.	
1RQ7 502-2KA10-0CA0	5900	950	1005	1705	1320	250	110	165	500	2710	2920	o.r.	
1RQ7 502-2KA10-0CC0	5850	950	1005	1705	1320	530	120	165	500	2710	3200	o.r.	
1RQ7 503-2KA10-0CA0	6550	950	1005	1705	1320	250	110	165	500	2710	2920	o.r.	
1RQ7 503-2KA10-0CC0	6500	950	1005	1705	1320	530	120	165	500	2710	3200	o.r.	
1RQ7 504-2KA10-0CA0	6650	950	1005	1705	1320	250	110	165	500	2710	2920	o.r.	
1RQ7 504-2KA10-0CC0	6600	950	1005	1705	1320	530	120	165	500	2710	3200	o.r.	
1RQ7 507-2KA10-0CA0	7350	950	1005	1705	1500	250	110	165	500	2710	3130	o.r.	
1RQ7 507-2KA10-0CC0	7250	950	1005	1705	1500	530	120	165	500	2710	3410	o.r.	
1RQ7 508-2KA10-0CA0	7650	950	1005	1705	1500	250	110	165	500	2710	3130	o.r.	
1RQ7 508-2KA10-0CC0	7600	950	1005	1705	1500	530	120	165	500	2710	3410	o.r.	
1RQ7 562-2KA10-0CC0	8250	1060	1290	2060	1400	600	150	200	560	2830	3440	o.r.	
1RQ7 563-2KA10-0CC0	8500	1060	1290	2060	1400	600	150	200	560	2830	3440	o.r.	
1RQ7 564-2KA10-0CC0	8800	1060	1290	2060	1400	600	150	200	560	2830	3440	o.r.	
1RQ7 567-2KA10-0CC0	9550	1060	1290	2060	1600	600	150	200	560	2830	3670	o.r.	
1RQ7 568-2KA10-0CC0	10200	1060	1290	2060	1600	600	150	200	560	2830	3670	o.r.	
1RQ8 632-2KA10-0CJ0	10600	1320	1520	2520	1600	560	160	240	630	3840	4060	o.r.	
1RQ8 633-2KA10-0CJ0	11100	1320	1520	2520	1600	560	160	240	630	3840	4060	o.r.	
1RQ8 634-2KA10-0CJ0	11600	1320	1520	2520	1600	560	160	240	630	3840	4060	o.r.	
1RQ8 637-2KA10-0CJ0	12550	1320	1520	2520	1800	560	160	240	630	3840	4260	o.r.	
1RQ8 638-2KA10-0CJ0	13150	1320	1520	2520	1800	560	160	240	630	3840	4260	o.r.	

Motor type	Weight	Dimensions										
	kg	A mm	AD mm	AE mm	B mm	C mm	D mm	E mm	H mm	HD mm	L mm	ML mm
Innomotics HV M - 1RQ. IC616 6600 V / 60 Hz B3 (IM 1001) - Dimension drawings												
1RQ8 712-2KA10-0CJ0	14550	1500	1620	2720	2000	560	180	240	710	3090	4070	o.r.
1RQ8 713-2KA10-0CJ0	15150	1500	1620	2720	2000	560	180	240	710	3090	4070	o.r.
1RQ8 714-2KA10-0CJ0	15950	1500	1620	2720	2000	560	180	240	710	3090	4070	o.r.
1RQ8 716-2KA10-0CJ0	17050	1500	1620	2720	2240	560	180	240	710	3090	4310	o.r.
1RQ8 717-2KA10-0CJ0	17850	1500	1620	2720	2240	560	180	240	710	3090	4310	o.r.
4-pole												
1RQ7 453-4KA10-0AA0	4600	850	925	1545	1180	250	130	200	450	2350	2710	o.r.
1RQ7 453-4KA10-0AC0	4650	850	925	1545	1180	500	130	200	450	2350	2960	o.r.
1RQ7 453-4KA10-0CA0	4750	850	925	1545	1180	250	130	200	450	2350	2710	o.r.
1RQ7 453-4KA10-0CC0	4750	850	925	1545	1180	500	130	200	450	2350	2960	o.r.
1RQ7 454-4KA10-0CA0	4950	850	925	1545	1180	250	130	200	450	2350	2710	o.r.
1RQ7 454-4KA10-0CC0	5000	850	925	1545	1180	500	130	200	450	2350	2960	o.r.
1RQ7 454-4KA10-0AA0	4750	850	925	1545	1180	250	130	200	450	2350	2710	o.r.
1RQ7 454-4KA10-0AC0	4800	850	925	1545	1180	500	130	200	450	2350	2960	o.r.
1RQ7 457-4KA10-0CA0	5550	850	925	1545	1400	250	130	200	450	2350	2920	o.r.
1RQ7 457-4KA10-0CC0	5600	850	925	1545	1400	500	130	200	450	2350	3170	o.r.
1RQ7 457-4KA10-0AA0	5450	850	925	1545	1400	250	130	200	450	2350	2920	o.r.
1RQ7 457-4KA10-0AC0	5450	850	925	1545	1400	500	130	200	450	2350	3170	o.r.
1RQ7 458-4KA10-0CA0	5800	850	925	1545	1400	250	130	200	450	2350	2920	o.r.
1RQ7 458-4KA10-0CC0	5800	850	925	1545	1400	500	130	200	450	2350	3170	o.r.
1RQ7 458-4KA10-0AA0	5650	850	925	1545	1400	250	130	200	450	2350	2920	o.r.
1RQ7 458-4KA10-0AC0	5650	850	925	1545	1400	500	130	200	450	2350	3170	o.r.
1RQ7 503-4KA10-0AA0	6650	950	1005	1705	1320	315	160	240	500	2710	3060	o.r.
1RQ7 503-4KA10-0AC0	6750	950	1005	1705	1320	560	170	240	500	2710	3300	o.r.
1RQ7 503-4KA10-0CA0	6800	950	1005	1705	1320	315	160	240	500	2710	3060	o.r.
1RQ7 503-4KA10-0CC0	6900	950	1005	1705	1320	560	170	240	500	2710	3300	o.r.
1RQ7 504-4KA10-0AA0	6950	950	1005	1705	1320	315	160	240	500	2710	3060	o.r.
1RQ7 504-4KA10-0AC0	7050	950	1005	1705	1320	560	170	240	500	2710	3300	o.r.
1RQ7 504-4KA10-0CA0	7100	950	1005	1705	1320	315	160	240	500	2710	3060	o.r.
1RQ7 504-4KA10-0CC0	7200	950	1005	1705	1320	560	170	240	500	2710	3300	o.r.
1RQ7 507-4KA10-0CA0	7750	950	1005	1705	1500	315	160	240	500	2710	3270	o.r.
1RQ7 507-4KA10-0CC0	7850	950	1005	1705	1500	560	170	240	500	2710	3510	o.r.
1RQ7 507-4KA10-0AA0	7600	950	1005	1705	1500	315	160	240	500	2710	3270	o.r.
1RQ7 507-4KA10-0AC0	7700	950	1005	1705	1500	560	170	240	500	2710	3510	o.r.
1RQ7 508-4KA10-0AA0	7950	950	1005	1705	1500	315	160	240	500	2710	3270	o.r.
1RQ7 508-4KA10-0AC0	8050	950	1005	1705	1500	560	170	240	500	2710	3510	o.r.
1RQ7 508-4KA10-0CA0	8150	950	1005	1705	1500	315	160	240	500	2710	3270	o.r.

Motor type	Weight	Dimensions										
	kg	A mm	AD mm	AE mm	B mm	C mm	D mm	E mm	H mm	HD mm	L mm	ML mm
Innomotics HV M - 1RQ. IC616 6600 V / 60 Hz B3 (IM 1001) - Dimension drawings												
1RQ7 508-4KA10-0CC0	8250	950	1005	1705	1500	560	170	240	500	2710	3510	o.r.
1RQ7 563-4KA10-0CA0	8550	1060	1290	2060	1400	335	190	280	560	2830	3250	o.r.
1RQ7 563-4KA10-0CC0	8600	1060	1290	2060	1400	600	190	280	560	2830	3520	o.r.
1RQ7 564-4KA10-0CA0	9000	1060	1290	2060	1400	335	190	280	560	2830	3250	o.r.
1RQ7 564-4KA10-0CC0	9100	1060	1290	2060	1400	600	190	280	560	2830	3520	o.r.
1RQ7 566-4KA10-0CA0	9850	1060	1290	2060	1600	335	190	280	560	2830	3480	o.r.
1RQ7 566-4KA10-0CC0	9900	1060	1290	2060	1600	600	190	280	560	2830	3750	o.r.
1RQ7 567-4KA10-0CA0	10350	1060	1290	2060	1600	335	190	280	560	2830	3480	o.r.
1RQ7 567-4KA10-0CC0	10400	1060	1290	2060	1600	600	190	280	560	2830	3750	o.r.
1RQ7 568-4KA10-0CA0	10800	1060	1290	2060	1600	335	190	280	560	2830	3480	o.r.
1RQ7 568-4KA10-0CC0	10850	1060	1290	2060	1600	600	190	280	560	2830	3750	o.r.
1RQ8 633-4KA10-0CG0	11700	1320	1520	2520	1600	375	200	280	630	3840	3920	o.r.
1RQ8 633-4KA10-0CJ0	11800	1320	1520	2520	1600	630	200	280	630	3840	4170	o.r.
1RQ8 634-4KA10-0CG0	12300	1320	1520	2520	1600	375	200	280	630	3840	3920	o.r.
1RQ8 634-4KA10-0CJ0	12400	1320	1520	2520	1600	630	200	280	630	3840	4170	o.r.
1RQ8 637-4KA10-0CG0	13100	1320	1520	2520	1800	375	200	280	630	3840	4120	o.r.
1RQ8 637-4KA10-0CJ0	13200	1320	1520	2520	1800	630	200	280	630	3840	4370	o.r.
1RQ8 638-4KA10-0CG0	13800	1320	1520	2520	1800	375	200	280	630	3840	4120	o.r.
1RQ8 638-4KA10-0CJ0	13900	1320	1520	2520	1800	630	200	280	630	3840	4370	o.r.
1RQ8 712-4KA10-0CG0	15650	1500	1620	2720	2000	375	220	280	710	3090	3920	o.r.
1RQ8 712-4KA10-0CJ0	15750	1500	1620	2720	2000	630	220	280	710	3090	4180	o.r.
1RQ8 713-4KA10-0CG0	16300	1500	1620	2720	2000	375	220	280	710	3090	3920	o.r.
1RQ8 713-4KA10-0CJ0	16450	1500	1620	2720	2000	630	220	280	710	3090	4180	o.r.
1RQ8 714-4KA10-0CG0	17150	1500	1620	2720	2000	375	220	280	710	3090	3920	o.r.
1RQ8 714-4KA10-0CJ0	17250	1500	1620	2720	2000	630	220	280	710	3090	4180	o.r.
1RQ8 717-4KA10-0CG0	18450	1500	1620	2720	2240	375	220	280	710	3090	4160	o.r.
1RQ8 717-4KA10-0CJ0	18600	1500	1620	2720	2240	630	220	280	710	3090	4420	o.r.
1RQ8 718-4KA10-0CG0	19000	1500	1620	2720	2240	375	220	280	710	3090	4160	o.r.
1RQ8 718-4KA10-0CJ0	19150	1500	1620	2720	2240	630	220	280	710	3090	4420	o.r.
6-pole												
1RQ7 452-6KA10-0AA0	4450	850	925	1545	1180	250	130	200	450	2350	2710	o.r.
1RQ7 452-6KA10-0AC0	4500	850	925	1545	1180	500	130	200	450	2350	2960	o.r.
1RQ7 453-6KA10-0AA0	4650	850	925	1545	1180	250	130	200	450	2350	2710	o.r.
1RQ7 453-6KA10-0AC0	4700	850	925	1545	1180	500	130	200	450	2350	2960	o.r.
1RQ7 453-6KA10-0CA0	4800	850	925	1545	1180	250	130	200	450	2350	2710	o.r.
1RQ7 453-6KA10-0CC0	4850	850	925	1545	1180	500	130	200	450	2350	2960	o.r.
1RQ7 454-6KA10-0AA0	4800	850	925	1545	1180	250	130	200	450	2350	2710	o.r.

Motor type	Weight	Dimensions										
	kg	A mm	AD mm	AE mm	B mm	C mm	D mm	E mm	H mm	HD mm	L mm	ML mm
Innomotics HV M - 1RQ. IC616 6600 V / 60 Hz B3 (IM 1001) - Dimension drawings												
1RQ7 454-6KA10-0AC0	4850	850	925	1545	1180	500	130	200	450	2350	2960	o.r.
1RQ7 454-6KA10-0CA0	4950	850	925	1545	1180	250	130	200	450	2350	2710	o.r.
1RQ7 454-6KA10-0CC0	5000	850	925	1545	1180	500	130	200	450	2350	2960	o.r.
1RQ7 457-6KA10-0AA0	5300	850	925	1545	1400	250	130	200	450	2350	2920	o.r.
1RQ7 457-6KA10-0AC0	5350	850	925	1545	1400	500	130	200	450	2350	3170	o.r.
1RQ7 457-6KA10-0CA0	5500	850	925	1545	1400	250	130	200	450	2350	2920	o.r.
1RQ7 457-6KA10-0CC0	5500	850	925	1545	1400	500	130	200	450	2350	3170	o.r.
1RQ7 458-6KA10-0AA0	5550	850	925	1545	1400	250	130	200	450	2350	2920	o.r.
1RQ7 458-6KA10-0AC0	5600	850	925	1545	1400	500	130	200	450	2350	3170	o.r.
1RQ7 458-6KA10-0CA0	5750	850	925	1545	1400	250	130	200	450	2350	2920	o.r.
1RQ7 458-6KA10-0CC0	5800	850	925	1545	1400	500	130	200	450	2350	3170	o.r.
1RQ7 502-6KA10-0AA0	6500	950	1005	1705	1320	315	160	240	500	2620	3060	o.r.
1RQ7 502-6KA10-0AC0	6550	950	1005	1705	1320	560	170	240	500	2620	3300	o.r.
1RQ7 502-6KA10-0CA0	6700	950	1005	1705	1320	315	160	240	500	2620	3060	o.r.
1RQ7 502-6KA10-0CC0	6750	950	1005	1705	1320	560	170	240	500	2620	3300	o.r.
1RQ7 503-6KA10-0AA0	6700	950	1005	1705	1320	315	160	240	500	2620	3060	o.r.
1RQ7 503-6KA10-0AC0	6750	950	1005	1705	1320	560	170	240	500	2620	3300	o.r.
1RQ7 503-6KA10-0CA0	6950	950	1005	1705	1320	315	160	240	500	2620	3060	o.r.
1RQ7 503-6KA10-0CC0	7000	950	1005	1705	1320	560	170	240	500	2620	3300	o.r.
1RQ7 504-6KA10-0AA0	7000	950	1005	1705	1320	315	160	240	500	2620	3060	o.r.
1RQ7 504-6KA10-0AC0	7050	950	1005	1705	1320	560	170	240	500	2620	3300	o.r.
1RQ7 504-6KA10-0CA0	7200	950	1005	1705	1320	315	160	240	500	2620	3060	o.r.
1RQ7 504-6KA10-0CC0	7300	950	1005	1705	1320	560	170	240	500	2620	3300	o.r.
1RQ7 507-6KA10-0AA0	7700	950	1005	1705	1500	315	160	240	500	2620	3270	o.r.
1RQ7 507-6KA10-0AC0	7750	950	1005	1705	1500	560	170	240	500	2620	3510	o.r.
1RQ7 507-6KA10-0CA0	7950	950	1005	1705	1500	315	160	240	500	2620	3270	o.r.
1RQ7 507-6KA10-0CC0	8000	950	1005	1705	1500	560	170	240	500	2620	3510	o.r.
1RQ7 508-6KA10-0AA0	8000	950	1005	1705	1500	315	160	240	500	2620	3270	o.r.
1RQ7 508-6KA10-0AC0	8050	950	1005	1705	1500	560	170	240	500	2620	3510	o.r.
1RQ7 561-6KA10-0CA0	8500	1060	1290	2060	1400	335	190	280	560	2830	3250	o.r.
1RQ7 561-6KA10-0CC0	8600	1060	1290	2060	1400	600	190	280	560	2830	3520	o.r.
1RQ7 563-6KA10-0CA0	9150	1060	1290	2060	1400	335	190	280	560	2830	3250	o.r.
1RQ7 563-6KA10-0CC0	9200	1060	1290	2060	1400	600	190	280	560	2830	3520	o.r.
1RQ7 567-6KA10-0CA0	10400	1060	1290	2060	1600	335	190	280	560	2830	3480	o.r.
1RQ7 567-6KA10-0CC0	10500	1060	1290	2060	1600	600	190	280	560	2830	3750	o.r.
1RQ7 568-6KA10-0CA0	11050	1060	1290	2060	1600	335	190	280	560	2830	3480	o.r.
1RQ7 568-6KA10-0CC0	11150	1060	1290	2060	1600	600	190	280	560	2830	3750	o.r.

Motor type	Weight	Dimensions										
	kg	A mm	AD mm	AE mm	B mm	C mm	D mm	E mm	H mm	HD mm	L mm	ML mm
Innomotics HV M - 1RQ. IC616 6600 V / 60 Hz B3 (IM 1001) - Dimension drawings												
1RQ8 632-6KA10-0CG0	11550	1320	1520	2520	1600	375	200	280	630	3760	3920	o.r.
1RQ8 632-6KA10-0CJ0	11650	1320	1520	2520	1600	630	200	280	630	3760	4170	o.r.
1RQ8 633-6KA10-0CG0	12100	1320	1520	2520	1600	375	200	280	630	3760	3920	o.r.
1RQ8 633-6KA10-0CJ0	12200	1320	1520	2520	1600	630	200	280	630	3760	4170	o.r.
1RQ8 634-6KA10-0CG0	12550	1320	1520	2520	1600	375	200	280	630	3760	3920	o.r.
1RQ8 634-6KA10-0CJ0	12700	1320	1520	2520	1600	630	200	280	630	3760	4170	o.r.
1RQ8 637-6KA10-0CG0	13450	1320	1520	2520	1800	375	200	280	630	3760	4120	o.r.
1RQ8 637-6KA10-0CJ0	13550	1320	1520	2520	1800	630	200	280	630	3760	4370	o.r.
1RQ8 638-6KA10-0CG0	13950	1320	1520	2520	1800	375	200	280	630	3760	4120	o.r.
1RQ8 638-6KA10-0CJ0	14050	1320	1520	2520	1800	630	200	280	630	3760	4370	o.r.
1RQ8 712-6KA10-0CG0	15550	1500	1620	2720	2000	375	220	280	710	3090	3920	o.r.
1RQ8 712-6KA10-0CJ0	15700	1500	1620	2720	2000	630	220	280	710	3090	4180	o.r.
1RQ8 713-6KA10-0CG0	16550	1500	1620	2720	2000	375	220	280	710	3090	3920	o.r.
1RQ8 713-6KA10-0CJ0	16700	1500	1620	2720	2000	630	220	280	710	3090	4180	o.r.
1RQ8 714-6KA10-0CG0	17550	1500	1620	2720	2000	375	220	280	710	3090	3920	o.r.
1RQ8 714-6KA10-0CJ0	17650	1500	1620	2720	2000	630	220	280	710	3090	4180	o.r.
1RQ8 717-6KA10-0CG0	19150	1500	1620	2720	2240	375	220	280	710	3090	4160	o.r.
1RQ8 717-6KA10-0CJ0	19300	1500	1620	2720	2240	630	220	280	710	3090	4420	o.r.
1RQ8 718-6KA10-0CG0	20050	1500	1620	2720	2240	375	220	280	710	3090	4160	o.r.
1RQ8 718-6KA10-0CJ0	20200	1500	1620	2720	2240	630	220	280	710	3090	4420	o.r.
8-pole												
1RQ7 452-8KA10-0AA0	4650	850	925	1545	1180	250	130	200	450	2350	2710	o.r.
1RQ7 452-8KA10-0AC0	4650	850	925	1545	1180	500	130	200	450	2350	2960	o.r.
1RQ7 452-8KA10-0CA0	4800	850	925	1545	1180	250	130	200	450	2350	2710	o.r.
1RQ7 452-8KA10-0CC0	4800	850	925	1545	1180	500	130	200	450	2350	2960	o.r.
1RQ7 453-8KA10-0AA0	4850	850	925	1545	1180	250	130	200	450	2350	2710	o.r.
1RQ7 453-8KA10-0AC0	4850	850	925	1545	1180	500	130	200	450	2350	2960	o.r.
1RQ7 453-8KA10-0CA0	5000	850	925	1545	1180	250	130	200	450	2350	2710	o.r.
1RQ7 453-8KA10-0CC0	5000	850	925	1545	1180	500	130	200	450	2350	2960	o.r.
1RQ7 454-8KA10-0AA0	5050	850	925	1545	1180	250	130	200	450	2350	2710	o.r.
1RQ7 454-8KA10-0AC0	5050	850	925	1545	1180	500	130	200	450	2350	2960	o.r.
1RQ7 454-8KA10-0CA0	5200	850	925	1545	1180	250	130	200	450	2350	2710	o.r.
1RQ7 454-8KA10-0CC0	5250	850	925	1545	1180	500	130	200	450	2350	2960	o.r.
1RQ7 457-8KA10-0AA0	5550	850	925	1545	1400	250	130	200	450	2350	2920	o.r.
1RQ7 457-8KA10-0AC0	5600	850	925	1545	1400	500	130	200	450	2350	3170	o.r.
1RQ7 457-8KA10-0CA0	5750	850	925	1545	1400	250	130	200	450	2350	2920	o.r.
1RQ7 457-8KA10-0CC0	5800	850	925	1545	1400	500	130	200	450	2350	3170	o.r.

Motor type	Weight	Dimensions										
	kg	A mm	AD mm	AE mm	B mm	C mm	D mm	E mm	H mm	HD mm	L mm	ML mm
Innomotics HV M - 1RQ. IC616 6600 V / 60 Hz B3 (IM 1001) - Dimension drawings												
1RQ7 458-8KA10-0AA0	5850	850	925	1545	1400	250	130	200	450	2350	2920	o.r.
1RQ7 458-8KA10-0AC0	5850	850	925	1545	1400	500	130	200	450	2350	3170	o.r.
1RQ7 458-8KA10-0CA0	6050	850	925	1545	1400	250	130	200	450	2350	2920	o.r.
1RQ7 458-8KA10-0CC0	6050	850	925	1545	1400	500	130	200	450	2350	3170	o.r.
1RQ7 502-8KA10-0AA0	6450	950	1005	1705	1320	315	160	240	500	2620	3060	o.r.
1RQ7 502-8KA10-0AC0	6500	950	1005	1705	1320	560	170	240	500	2620	3300	o.r.
1RQ7 503-8KA10-0AA0	6750	950	1005	1705	1320	315	160	240	500	2620	3060	o.r.
1RQ7 503-8KA10-0AC0	6800	950	1005	1705	1320	560	170	240	500	2620	3300	o.r.
1RQ7 503-8KA10-0CA0	6950	950	1005	1705	1320	315	160	240	500	2620	3060	o.r.
1RQ7 503-8KA10-0CC0	7000	950	1005	1705	1320	560	170	240	500	2620	3300	o.r.
1RQ7 504-8KA10-0CA0	7250	950	1005	1705	1320	315	160	240	500	2620	3060	o.r.
1RQ7 504-8KA10-0CC0	7300	950	1005	1705	1320	560	170	240	500	2620	3300	o.r.
1RQ7 504-8KA10-0AA0	7050	950	1005	1705	1320	315	160	240	500	2620	3060	o.r.
1RQ7 504-8KA10-0AC0	7100	950	1005	1705	1320	560	170	240	500	2620	3300	o.r.
1RQ7 507-8KA10-0AA0	7700	950	1005	1705	1500	315	160	240	500	2620	3270	o.r.
1RQ7 507-8KA10-0AC0	7750	950	1005	1705	1500	560	170	240	500	2620	3510	o.r.
1RQ7 507-8KA10-0CA0	7950	950	1005	1705	1500	315	160	240	500	2620	3270	o.r.
1RQ7 507-8KA10-0CC0	8000	950	1005	1705	1500	560	170	240	500	2620	3510	o.r.
1RQ7 508-8KA10-0CA0	8300	950	1005	1705	1500	315	160	240	500	2620	3270	o.r.
1RQ7 508-8KA10-0CC0	8350	950	1005	1705	1500	560	170	240	500	2620	3510	o.r.
1RQ7 508-8KA10-0AA0	8050	950	1005	1705	1500	315	160	240	500	2620	3270	o.r.
1RQ7 508-8KA10-0AC0	8100	950	1005	1705	1500	560	170	240	500	2620	3510	o.r.
1RQ7 563-8KA10-0CA0	8900	1060	1075	1845	1400	335	190	280	560	2830	3250	o.r.
1RQ7 563-8KA10-0CC0	8950	1060	1075	1845	1400	600	190	280	560	2830	3520	o.r.
1RQ7 564-8KA10-0CA0	9300	1060	1075	1845	1400	335	190	280	560	2830	3250	o.r.
1RQ7 564-8KA10-0CC0	9400	1060	1075	1845	1400	600	190	280	560	2830	3520	o.r.
1RQ7 567-8KA10-0CA0	10300	1060	1075	1845	1600	335	190	280	560	2830	3480	o.r.
1RQ7 567-8KA10-0CC0	10400	1060	1075	1845	1600	600	190	280	560	2830	3750	o.r.
1RQ7 568-8KA10-0CA0	10800	1060	1075	1845	1600	335	190	280	560	2830	3480	o.r.
1RQ7 568-8KA10-0CC0	10850	1060	1075	1845	1600	600	190	280	560	2830	3750	o.r.
1RQ8 634-8KA10-0CG0	11700	1320	1520	2520	1600	375	200	280	630	3760	3920	o.r.
1RQ8 634-8KA10-0CJ0	11800	1320	1520	2520	1600	630	200	280	630	3760	4170	o.r.
1RQ8 637-8KA10-0CG0	12900	1320	1520	2520	1800	375	200	280	630	3760	4120	o.r.
1RQ8 637-8KA10-0CJ0	13000	1320	1520	2520	1800	630	200	280	630	3760	4370	o.r.
1RQ8 638-8KA10-0CG0	13600	1320	1520	2520	1800	375	200	280	630	3760	4120	o.r.
1RQ8 638-8KA10-0CJ0	13750	1320	1520	2520	1800	630	200	280	630	3760	4370	o.r.
1RQ8 712-8KA10-0CG0	15000	1500	1620	2720	2000	375	220	280	710	3090	3920	o.r.

Motor type	Weight	Dimensions										
	kg	A mm	AD mm	AE mm	B mm	C mm	D mm	E mm	H mm	HD mm	L mm	ML mm
Innomotics HV M - 1RQ. IC616 6600 V / 60 Hz B3 (IM 1001) - Dimension drawings												
1RQ8 712-8KA10-0CJ0	15150	1500	1620	2720	2000	630	220	280	710	3090	4180	o.r.
1RQ8 713-8KA10-0CG0	15800	1500	1620	2720	2000	375	220	280	710	3090	3920	o.r.
1RQ8 713-8KA10-0CJ0	16000	1500	1620	2720	2000	630	220	280	710	3090	4180	o.r.
1RQ8 714-8KA10-0CG0	16950	1500	1620	2720	2000	375	220	280	710	3090	3920	o.r.
1RQ8 714-8KA10-0CJ0	17150	1500	1620	2720	2000	630	220	280	710	3090	4180	o.r.
1RQ8 717-8KA10-0CG0	18600	1500	1620	2720	2240	375	220	280	710	3090	4160	o.r.
1RQ8 717-8KA10-0CJ0	18800	1500	1620	2720	2240	630	220	280	710	3090	4420	o.r.
1RQ8 718-8KA10-0CG0	19650	1500	1620	2720	2240	375	220	280	710	3090	4160	o.r.
1RQ8 718-8KA10-0CJ0	19850	1500	1620	2720	2240	630	220	280	710	3090	4420	o.r.

Innomotics HV M - 1RQ. IC616 10000 V / 50 Hz B3 (IM 1001)																					
Rated power IEC	Article No.	Speed	Rated current				Efficiency				Power factor				Torque	Breakdown torque	Locked torque	Locked rotor current	Inertia		
			I_R	5/4 load	4/4 load	3/4 load	2/4 load	5/4 load	4/4 load	3/4 load	2/4 load	5/4 load	4/4 load	3/4 load					2/4 load	T_R	T_B/ T_R
kW		rpm	A	%	%	%	%	cos φ	cos φ	cos φ	cos φ	Nm	[-]	[-]	[-]	kgm ²	kgm ²	[-]			
2-pole: n_{sync} = 3000 rpm at 50 Hz																					
1260	1RQ7 453-2KA80-0A.2	2979	85	95.2	95.7	95.8	95.1	0.88	0.89	0.88	0.82	4040	2.40	0.55	5.8	10	60	o.r.			
1280	1RQ7 453-2KA80-0C.2	2981	87	95.3	95.7	95.8	95.2	0.88	0.89	0.89	0.84	4103	2.45	0.60	5.5	14	100	o.r.			
1400	1RQ7 454-2KA80-0C.2	2981	94	95.5	95.8	95.8	95.1	0.89	0.90	0.89	0.84	4485	2.60	0.65	6.0	15	100	o.r.			
1400	1RQ7 454-2KA80-0A.2	2979	94	95.2	95.8	96.0	95.6	0.88	0.90	0.89	0.86	4493	2.40	0.55	5.8	11	60	o.r.			
1600	1RQ7 457-2KA80-0A.2	2980	106	95.6	96.0	96.1	95.5	0.89	0.90	0.89	0.84	5129	2.60	0.60	5.8	12	70	o.r.			
1600	1RQ7 457-2KA80-0C.2	2981	106	95.6	96.0	96.1	95.5	0.89	0.90	0.90	0.86	5128	2.60	0.65	6.0	16	120	o.r.			
1800	1RQ7 458-2KA80-0A.2	2980	120	95.8	96.2	96.3	95.8	0.89	0.90	0.89	0.85	5770	2.70	0.60	6.0	13	70	o.r.			
1800	1RQ7 458-2KA80-0C.2	2981	120	95.8	96.2	96.3	95.8	0.90	0.90	0.90	0.86	5768	2.65	0.65	6.0	18	120	o.r.			
1920	1RQ7 503-2KA80-0A.2	2973	130	95.6	96.1	96.3	96.0	0.88	0.89	0.89	0.85	6168	2.60	0.50	5.0	15	60	o.r.			
2000	1RQ7 503-2KA80-0C.2	2978	134	95.8	96.2	96.4	96.1	0.89	0.89	0.89	0.86	6419	2.45	0.55	4.7	20	142	o.r.			
2000	1RQ7 504-2KA80-0A.2	2975	134	95.8	96.2	96.4	96.0	0.89	0.89	0.88	0.84	6420	2.85	0.70	5.6	15	66	o.r.			
2100	1RQ7 504-2KA80-0C.2	2979	140	96.0	96.3	96.5	96.1	0.90	0.90	0.90	0.86	6735	2.65	0.70	5.1	21	142	o.r.			
2240	1RQ7 507-2KA80-0A.2	2976	150	96.1	96.4	96.7	96.4	0.90	0.90	0.90	0.86	7189	2.85	0.70	5.8	18	78	o.r.			
2360	1RQ7 507-2KA80-0C.2	2979	156	96.2	96.6	96.8	96.5	0.91	0.91	0.91	0.88	7568	2.65	0.70	5.3	24	156	o.r.			
2640	1RQ7 508-2KA80-0C.2	2980	172	96.4	96.8	97.0	96.7	0.91	0.92	0.92	0.88	8462	2.75	0.75	5.7	27	164	o.r.			
2500	1RQ7 508-2KA80-0A.2	2975	164	96.3	96.7	97.0	96.8	0.91	0.91	0.91	0.88	8026	2.75	0.80	5.7	20	84	o.r.			
2950	1RQ7 562-2KA80-0CC2	2986	194	96.3	96.3	96.1	95.2	0.91	0.91	0.89	0.84	9437	2.95	0.80	6.0	41	230	o.r.			
3300	1RQ7 563-2KA80-0CC2	2984	215	96.4	96.5	96.4	95.8	0.91	0.91	0.90	0.86	10565	2.55	0.65	5.9	44	260	o.r.			
3750	1RQ7 564-2KA80-0CC2	2986	245	96.3	96.3	96.0	95.1	0.92	0.91	0.90	0.85	11996	2.95	0.75	6.0	47	265	o.r.			
4250	1RQ7 567-2KA80-0CC2	2985	275	96.6	96.5	96.4	95.7	0.92	0.92	0.91	0.87	13600	2.75	0.70	5.7	52	295	o.r.			
4600	1RQ7 568-2KA80-0CC2	2987	300	96.8	96.7	96.5	95.8	0.93	0.92	0.91	0.86	14709	3.10	0.75	6.4	58	320	o.r.			
5100	1RQ8 633-2KA80-0CJ0	2981	345	96.1	96.5	96.3	95.5	0.86	0.89	0.90	0.89	16337	2.00	0.55	4.7	82	280	o.r.			
5600	1RQ8 634-2KA80-0CJ2	2983	370	96.4	96.7	96.5	95.6	0.88	0.90	0.90	0.90	17927	2.15	0.60	5.1	90	290	o.r.			
6200	1RQ8 637-2KA80-0CJ0	2984	405	96.6	96.9	96.6	95.8	0.89	0.91	0.91	0.90	19841	2.35	0.65	5.6	99	300	o.r.			
6850	1RQ8 638-2KA80-0CJ0	2985	450	96.8	97.1	96.8	96.1	0.89	0.91	0.91	0.90	21914	2.40	0.60	5.7	107	310	o.r.			
7150	1RQ8 712-2KA80-0CJ0	2988	475	96.4	96.5	96.2	95.1	0.87	0.90	0.89	0.88	22851	2.20	0.50	5.2	149	250	o.r.			
8050	1RQ8 713-2KA80-0CJ0	2987	530	96.7	96.8	96.5	95.6	0.89	0.91	0.90	0.89	25735	2.20	0.60	5.2	160	220	o.r.			
8250	1RQ8 714-2KA80-0CJ0	2988	540	96.8	96.9	96.6	95.7	0.88	0.91	0.91	0.89	26366	2.15	0.55	5.1	172	260	o.r.			
9050	1RQ8 716-2KA80-0CJ0	2988	590	96.9	97.1	96.8	96.0	0.88	0.91	0.91	0.89	28923	2.15	0.50	5.1	184	270	o.r.			
9700	1RQ8 717-2KA80-0CJ0	2988	630	97.0	97.2	96.9	96.1	0.89	0.91	0.91	0.89	31000	2.20	0.50	5.3	199	280	o.r.			
10000	1RQ8 718-2KA80-0CJ2	2989	640	97.2	97.3	97.0	96.2	0.90	0.92	0.91	0.90	31948	2.45	0.60	5.9	217	310	o.r.			
4-pole: n_{sync} = 1500 rpm at 50 Hz																					
1220	1RQ7 453-4KA80-0A.2	1485	84	94.9	95.5	95.6	95.3	0.88	0.88	0.86	0.79	7849	2.70	0.80	6.0	17	320	o.r.			
1260	1RQ7 453-4KA80-0C.2	1488	86	95.1	95.7	95.9	95.5	0.87	0.88	0.86	0.80	8094	2.50	0.60	5.5	23	350	o.r.			
1300	1RQ7 454-4KA80-0A.2	1485	88	95.1	95.7	95.8	95.4	0.89	0.89	0.86	0.79	8359	2.85	0.80	6.2	19	375	o.r.			
1400	1RQ7 454-4KA80-0C.2	1488	95	95.2	95.8	96.0	95.7	0.88	0.89	0.87	0.82	8991	2.50	0.60	5.5	26	360	o.r.			

Innomotics HV M - 1RQ. IC616 10000 V / 50 Hz B3 (IM 1001)																		
Rated power IEC	Article No.	Speed	Rated current I_R	Efficiency				Power factor				Torque T_R	Breakdown torque T_B/ T_R	Locked torque T_{LR}/ T_R	Locked rotor current I_{LR}/ I_R	Inertia		
				5/4 load	4/4 load	3/4 load	2/4 load	5/4 load	4/4 load	3/4 load	2/4 load					motor	external	Startup max T/TR
kW		rpm	A	%	%	%	%	cos φ	cos φ	cos φ	cos φ	Nm	[-]	[-]	[-]	kgm ²	kgm ²	[-]
1650	1RQ7 457-4KA80-0C.2	1488	112	95.7	96.2	96.4	96.1	0.89	0.89	0.88	0.83	10592	2.55	0.60	5.8	30	580	o.r.
1480	1RQ7 457-4KA80-0A.2	1485	99	95.2	95.9	96.1	96.0	0.89	0.90	0.89	0.85	9526	2.60	0.80	6.2	22	425	o.r.
1800	1RQ7 458-4KA80-0C.2	1489	122	95.9	96.3	96.4	96.1	0.89	0.89	0.87	0.81	11546	2.80	0.65	6.0	33	615	o.r.
1620	1RQ7 458-4KA80-0A.2	1485	108	95.5	96.1	96.3	96.2	0.90	0.90	0.89	0.85	10422	2.70	0.85	6.5	24	460	o.r.
1940	1RQ7 503-4KA80-0A.2	1487	130	95.6	96.1	96.5	96.2	0.88	0.89	0.88	0.85	12475	2.40	0.80	5.3	37	630	o.r.
1960	1RQ7 503-4KA80-0C.2	1488	132	95.7	96.2	96.5	96.2	0.88	0.89	0.89	0.86	12592	2.35	0.60	4.9	45	605	o.r.
2140	1RQ7 504-4KA80-0C.2	1491	146	96.0	96.4	96.5	95.9	0.88	0.88	0.86	0.79	13718	2.65	0.65	5.6	50	670	o.r.
2000	1RQ7 504-4KA80-0A.2	1486	134	95.7	96.2	96.5	96.3	0.88	0.90	0.90	0.87	12860	2.45	0.90	5.5	40	625	o.r.
2330	1RQ7 507-4KA80-0C.2	1490	158	96.1	96.5	96.7	96.2	0.87	0.88	0.87	0.82	14943	2.45	0.55	5.2	55	745	o.r.
2260	1RQ7 507-4KA80-0A.2	1487	152	95.8	96.4	96.7	96.5	0.88	0.89	0.90	0.87	14533	2.40	0.85	5.5	46	765	o.r.
2530	1RQ7 508-4KA80-0C.2	1491	170	96.3	96.7	96.8	96.4	0.89	0.89	0.89	0.84	16215	2.80	0.75	6.0	62	815	o.r.
2520	1RQ7 508-4KA80-0A.2	1488	170	96.1	96.6	96.8	96.5	0.89	0.89	0.89	0.85	16185	2.70	1.00	6.2	50	800	o.r.
2800	1RQ7 563-4KA80-0C.2	1492	188	96.5	96.7	97.0	96.6	0.88	0.89	0.87	0.83	17937	2.45	0.65	6.0	80	825	o.r.
3350	1RQ7 564-4KA80-0C.2	1491	224	96.5	96.9	97.1	96.9	0.88	0.89	0.89	0.86	21478	2.25	0.60	5.4	90	945	o.r.
3600	1RQ7 566-4KA80-0C.2	1492	238	96.7	97.0	97.2	96.9	0.89	0.90	0.89	0.86	23062	2.50	0.75	6.1	100	975	o.r.
4150	1RQ7 567-4KA80-0C.2	1491	274	96.8	97.1	97.4	97.1	0.89	0.90	0.90	0.86	26587	2.50	0.75	6.1	110	995	o.r.
4500	1RQ7 568-4KA80-0C.2	1492	300	97.0	97.2	97.4	97.1	0.90	0.89	0.89	0.84	28809	2.60	0.75	6.4	119	1015	o.r.
5050	1RQ8 633-4KA80-0C.0	1492	340	96.5	96.8	96.7	96.1	0.88	0.89	0.87	0.82	32322	2.50	0.60	5.9	151	780	o.r.
5600	1RQ8 634-4KA80-0C.2	1492	370	96.7	96.9	96.9	96.3	0.89	0.90	0.88	0.84	35842	2.50	0.60	6.0	166	1060	o.r.
6150	1RQ8 637-4KA80-0C.0	1492	410	96.8	97.1	97.0	96.4	0.88	0.89	0.87	0.81	39362	2.60	0.55	6.0	181	950	o.r.
6750	1RQ8 638-4KA80-0C.0	1492	450	97.0	97.2	97.1	96.6	0.88	0.89	0.87	0.81	43202	2.45	0.50	6.0	196	1060	o.r.
7050	1RQ8 712-4KA80-0C.0	1491	465	96.7	97.1	97.2	96.8	0.88	0.90	0.90	0.88	45153	2.25	0.50	5.4	259	960	o.r.
7650	1RQ8 713-4KA80-0C.0	1492	500	96.9	97.3	97.3	96.9	0.89	0.91	0.90	0.88	48963	2.40	0.50	5.7	284	1040	o.r.
8350	1RQ8 714-4KA80-0C.0	1492	540	97.0	97.4	97.4	97.0	0.90	0.91	0.91	0.88	53443	2.50	0.55	6.0	312	1120	o.r.
9250	1RQ8 717-4KA80-0C.0	1492	600	97.2	97.5	97.5	97.1	0.90	0.91	0.91	0.88	59203	2.55	0.55	6.0	345	1260	o.r.
9450	1RQ8 718-4KA80-0C.0	1493	610	97.2	97.5	97.5	97.1	0.90	0.91	0.90	0.87	60443	2.60	0.50	6.0	362	1450	o.r.
6-pole: n_{sync} = 1000 rpm at 50 Hz																		
860	1RQ7 452-6KA80-0A.2	990	61	94.3	95.1	95.3	95.1	0.85	0.85	0.81	0.72	8298	2.35	0.80	5.4	20	510	o.r.
880	1RQ7 452-6KA80-0C.2	990	62	94.1	95.0	95.3	95.2	0.85	0.86	0.83	0.75	8492	2.35	0.65	5.0	27	645	o.r.
930	1RQ7 453-6KA80-0A.0	990	66	94.4	95.1	95.4	95.2	0.85	0.85	0.82	0.73	8973	2.40	0.80	5.7	22	525	o.r.
950	1RQ7 453-6KA80-0C.0	990	67	94.3	95.1	95.4	95.3	0.85	0.86	0.83	0.76	9169	2.40	0.65	5.2	30	650	o.r.
1010	1RQ7 454-6KA80-0A.2	990	71	94.5	95.3	95.6	95.4	0.85	0.86	0.83	0.74	9744	2.50	0.85	5.7	24	600	o.r.
1020	1RQ7 454-6KA80-0C.2	990	72	94.5	95.3	95.6	95.5	0.86	0.86	0.84	0.76	9843	2.50	0.70	5.4	33	770	o.r.
1120	1RQ7 457-6KA80-0A.2	990	78	94.8	95.5	95.8	95.7	0.86	0.87	0.84	0.76	10806	2.50	0.85	5.5	28	670	o.r.
1120	1RQ7 457-6KA80-0C.2	990	78	94.8	95.5	95.8	95.7	0.86	0.87	0.85	0.78	10807	2.50	0.70	5.5	36	880	o.r.
1250	1RQ7 458-6KA80-0A.2	990	87	94.9	95.6	96.0	96.0	0.87	0.87	0.85	0.78	12062	2.50	0.85	5.5	31	690	o.r.
1250	1RQ7 458-6KA80-0C.2	990	87	94.9	95.6	96.0	95.9	0.87	0.87	0.85	0.79	12063	2.50	0.70	5.5	41	895	o.r.

Innomotics HV M - 1RQ. IC616 10000 V / 50 Hz B3 (IM 1001)																			
Rated power IEC	Article No.	Speed	Rated current		Efficiency				Power factor				Torque	Breakdown torque	Locked rotor torque	Locked rotor current	Inertia		
			I_R		5/4 load	4/4 load	3/4 load	2/4 load	5/4 load	4/4 load	3/4 load	2/4 load					T_R	T_B/ T_R	T_{LR}/ T_R
kW		rpm	A		%	%	%	%	cos φ	cos φ	cos φ	cos φ	Nm	[-]	[-]	[-]	kgm ²	kgm ²	[-]
1550	1RQ7 503-6KA80-0A.2	991	97		95.1	96.0	96.3	96.2	0.85	0.86	0.86	0.81	14955	2.15	0.80	4.6	46	1080	o.r.
1700	1RQ7 504-6KA80-0A.2	991	110		95.4	96.1	96.4	96.4	0.86	0.86	0.85	0.80	16390	2.30	0.90	5.0	51	1280	o.r.
1950	1RQ7 507-6KA80-0A.2	991	124		95.7	96.2	96.6	96.5	0.86	0.86	0.85	0.79	18794	2.40	0.95	5.2	58	1560	o.r.
2050	1RQ7 508-6KA80-0A.2	991	138		95.8	96.3	96.6	96.4	0.87	0.86	0.85	0.78	19753	2.55	1.00	5.6	63	1540	o.r.
2240	1RQ7 561-6KA80-0C.2	994	156		95.9	96.2	96.4	96.0	0.85	0.86	0.81	0.75	21531	2.10	0.65	6.0	97	2095	o.r.
2600	1RQ7 562-6KA80-0C.2	993	182		95.7	96.3	96.2	95.8	0.85	0.86	0.83	0.78	25011	2.10	0.60	6.0	105	1890	o.r.
2650	1RQ7 563-6KA80-0C.2	993	184		95.8	96.4	96.5	96.2	0.85	0.86	0.86	0.82	25514	2.00	0.60	5.5	113	1725	o.r.
3000	1RQ7 564-6KA80-0C.2	994	210		96.2	96.5	96.5	96.2	0.86	0.86	0.83	0.77	28898	2.00	0.60	6.0	124	2065	o.r.
3300	1RQ7 567-6KA80-0C.2	993	230		96.3	96.6	96.8	96.5	0.86	0.86	0.85	0.80	31736	2.00	0.60	6.0	137	3135	o.r.
3550	1RQ7 568-6KA80-0C.2	994	245		96.5	96.8	96.9	96.7	0.86	0.86	0.84	0.78	34108	2.20	0.65	6.0	151	2955	o.r.
4000	1RQ8 632-6KA80-0C.2	993	280		96.1	96.5	96.6	96.0	0.85	0.86	0.83	0.75	38466	2.35	0.60	5.4	193	2320	o.r.
4150	1RQ8 633-6KA80-0C.0	993	285		96.3	96.6	96.7	96.1	0.85	0.87	0.83	0.75	39909	2.45	0.60	5.5	209	2630	o.r.
4500	1RQ8 634-6KA80-0C.2	993	310		96.4	96.7	96.8	96.3	0.86	0.87	0.84	0.77	43275	2.45	0.60	5.5	227	2870	o.r.
4800	1RQ8 637-6KA80-0C.0	993	330		96.5	96.8	96.9	96.3	0.86	0.87	0.84	0.77	46160	2.50	0.60	5.5	247	3230	o.r.
5000	1RQ8 638-6KA80-0C.2	994	340		96.6	96.9	96.9	96.3	0.86	0.87	0.83	0.74	48035	2.55	0.60	5.5	264	3730	o.r.
5700	1RQ8 712-6KA80-0C.0	994	390		96.7	97.1	97.2	96.7	0.86	0.87	0.84	0.77	54760	2.40	0.55	5.5	331	2880	o.r.
6300	1RQ8 713-6KA80-0C.2	994	430		96.9	97.2	97.3	96.9	0.86	0.87	0.85	0.79	60524	2.45	0.60	5.5	374	3260	o.r.
6900	1RQ8 714-6KA80-0C.0	994	465		97.0	97.3	97.4	97.0	0.87	0.88	0.86	0.79	66288	2.50	0.55	5.5	423	3810	o.r.
7450	1RQ8 717-6KA80-0C.0	994	500		97.0	97.4	97.5	97.2	0.87	0.88	0.87	0.82	71572	2.30	0.50	5.5	476	4530	o.r.
8150	1RQ8 718-6KA80-0C.0	995	550		97.2	97.5	97.5	97.2	0.87	0.88	0.85	0.79	78218	2.45	0.50	5.5	520	5150	o.r.
8-pole: n_{sync} = 750 rpm at 50 Hz																			
580	1RQ7 451-8KA80-0A.0	741	44		93.4	94.4	94.8	94.6	0.81	0.81	0.75	0.64	7472	2.05	0.70	5.3	23	600	o.r.
630	1RQ7 452-8KA80-0A.0	741	47		93.4	94.5	94.9	94.8	0.82	0.82	0.77	0.66	8115	2.10	0.70	5.5	25	610	o.r.
720	1RQ7 453-8KA80-0A.2	742	54		94.1	95.0	95.3	95.1	0.81	0.81	0.75	0.64	9272	2.25	0.75	5.5	28	940	o.r.
820	1RQ7 454-8KA80-0A.2	743	63		94.6	95.3	95.4	95.2	0.81	0.79	0.72	0.58	10545	2.45	0.85	5.4	31	1300	o.r.
900	1RQ7 457-8KA80-0A.2	743	68		94.7	95.4	95.6	95.4	0.81	0.80	0.73	0.60	11574	2.50	0.85	5.5	35	1400	o.r.
1000	1RQ7 458-8KA80-0A.2	743	76		94.8	95.5	95.7	95.4	0.82	0.80	0.74	0.61	12861	2.55	0.85	5.5	39	1430	o.r.
1120	1RQ7 502-8KA80-0C.2	743	81		94.9	95.7	96.1	96.1	0.82	0.83	0.81	0.73	14406	2.15	0.55	4.1	59	2040	o.r.
1220	1RQ7 503-8KA80-0A.2	743	89		95.1	95.8	96.2	96.2	0.82	0.83	0.80	0.73	15693	2.10	0.80	4.3	51	2290	o.r.
1250	1RQ7 503-8KA80-0C.2	742	91		95.0	95.8	96.2	96.3	0.82	0.83	0.82	0.75	16095	2.10	0.55	4.0	65	2130	o.r.
1280	1RQ7 504-8KA80-0A.2	743	93		95.3	95.9	96.3	96.3	0.83	0.83	0.80	0.73	16457	2.20	0.85	4.5	56	2100	o.r.
1300	1RQ7 504-8KA80-0C.2	743	93		95.2	95.9	96.3	96.3	0.84	0.84	0.81	0.74	16722	2.25	0.60	4.3	72	2330	o.r.
1400	1RQ7 507-8KA80-0A.2	744	102		95.4	96.1	96.4	96.4	0.83	0.83	0.80	0.74	17995	2.25	0.85	4.7	63	2370	o.r.
1480	1RQ7 507-8KA80-0C.2	743	106		95.4	96.0	96.4	96.5	0.83	0.84	0.82	0.75	19039	2.20	0.65	4.3	80	2970	o.r.
1600	1RQ7 508-8KA80-0A.2	744	116		95.6	96.2	96.5	96.4	0.82	0.83	0.81	0.73	20561	2.30	0.90	4.7	69	2680	o.r.
1620	1RQ7 508-8KA80-0C.2	743	116		95.7	96.2	96.5	96.5	0.83	0.84	0.81	0.74	20824	2.35	0.65	4.5	88	3340	o.r.
1880	1RQ7 563-8KA80-0C.2	744	136		95.5	96.1	96.4	96.2	0.83	0.83	0.81	0.75	24144	2.10	0.60	4.6	124	3020	o.r.

Innomotics HV M - 1RQ. IC616 10000 V / 50 Hz B3 (IM 1001)																		
Rated power IEC	Article No.	Speed	Rated current I_R	Efficiency				Power factor				Torque T_R	Breakdown torque T_B/ T_R	Locked rotor torque T_{LR}/ T_R	Locked rotor current I_{LR}/ I_R	Inertia		
				5/4 load	4/4 load	3/4 load	2/4 load	5/4 load	4/4 load	3/4 load	2/4 load					motor	external	Startup max T/TR
kW		rpm	A	%	%	%	%	$\cos \varphi$	$\cos \varphi$	$\cos \varphi$	$\cos \varphi$	Nm	[-]	[-]	[-]	kgm ²	kgm ²	[-]
2080	1RQ7 564-8KA80-0C.2	744	150	95.8	96.3	96.5	96.2	0.83	0.83	0.81	0.74	26711	2.20	0.65	4.9	137	3650	o.r.
2300	1RQ7 567-8KA80-0C.2	744	164	95.9	96.4	96.7	96.5	0.83	0.84	0.82	0.76	29553	2.10	0.60	4.7	150	4935	o.r.
2550	1RQ7 568-8KA80-0C.2	744	182	96.1	96.6	96.8	96.6	0.83	0.84	0.82	0.75	32757	2.20	0.60	4.8	165	6225	o.r.
2800	1RQ8 633-8KA80-0C.2	744	198	95.4	95.9	95.9	95.4	0.85	0.85	0.81	0.72	35938	2.15	0.45	4.7	216	2980	o.r.
3250	1RQ8 634-8KA80-0C.0	744	230	95.7	96.2	96.2	95.7	0.85	0.85	0.81	0.73	41714	2.20	0.50	4.8	251	4820	o.r.
3600	1RQ8 637-8KA80-0C.0	745	255	96.0	96.4	96.3	95.7	0.85	0.84	0.79	0.68	46144	2.40	0.50	5.1	291	5730	o.r.
3800	1RQ8 638-8KA80-0C.0	745	270	96.2	96.5	96.3	95.7	0.85	0.84	0.78	0.67	48708	2.50	0.55	5.5	324	6970	o.r.
4250	1RQ8 713-8KA80-0C.0	746	275	96.3	96.7	96.7	96.3	0.87	0.87	0.83	0.74	54403	2.40	0.55	5.2	471	4400	o.r.
4800	1RQ8 714-8KA80-0C.0	746	310	96.5	96.8	96.8	96.4	0.86	0.86	0.82	0.74	61443	2.40	0.50	5.1	536	4580	o.r.
5250	1RQ8 717-8KA80-0C.0	746	340	96.6	97.0	97.0	96.7	0.87	0.88	0.84	0.77	67203	2.40	0.55	5.2	616	5990	o.r.
5500	1RQ8 718-8KA80-0C.0	746	370	96.7	97.0	97.1	96.7	0.88	0.88	0.84	0.77	70404	2.50	0.60	5.5	680	6130	o.r.

Motor type	Weight		Dimensions									
	kg	A mm	AD mm	AE mm	B mm	C mm	D mm	E mm	H mm	HD mm	L mm	ML mm
Innomotics HV M - 1RQ. IC616 10000 V / 50 Hz B3 (IM 1001) - Dimension drawings												
2-pole												
1RQ7 453-2KA80-0AA2	4700	850	1140	1760	1180	250	95	130	450	2350	2640	o.r.
1RQ7 453-2KA80-0AC2	4600	850	1140	1760	1180	475	95	130	450	2350	2870	o.r.
1RQ7 453-2KA80-0CA2	4800	850	1140	1760	1180	250	95	130	450	2350	2640	o.r.
1RQ7 453-2KA80-0CC2	4700	850	1140	1760	1180	475	95	130	450	2350	2870	o.r.
1RQ7 454-2KA80-0CA2	4950	850	1140	1760	1180	250	95	130	450	2350	2640	o.r.
1RQ7 454-2KA80-0CC2	4850	850	1140	1760	1180	475	95	130	450	2350	2870	o.r.
1RQ7 454-2KA80-0AA2	4800	850	1140	1760	1180	250	95	130	450	2350	2640	o.r.
1RQ7 454-2KA80-0AC2	4700	850	1140	1760	1180	475	95	130	450	2350	2870	o.r.
1RQ7 457-2KA80-0AA2	5250	850	1140	1760	1400	250	95	130	450	2350	2850	o.r.
1RQ7 457-2KA80-0AC2	5150	850	1140	1760	1400	475	95	130	450	2350	3080	o.r.
1RQ7 457-2KA80-0CA2	5400	850	1140	1760	1400	250	95	130	450	2350	2850	o.r.
1RQ7 457-2KA80-0CC2	5300	850	1140	1760	1400	475	95	130	450	2350	3080	o.r.
1RQ7 458-2KA80-0AA2	5450	850	1140	1760	1400	250	95	130	450	2350	2850	o.r.
1RQ7 458-2KA80-0AC2	5350	850	1140	1760	1400	475	95	130	450	2350	3080	o.r.
1RQ7 458-2KA80-0CA2	5600	850	1140	1760	1400	250	95	130	450	2350	2850	o.r.
1RQ7 458-2KA80-0CC2	5500	850	1140	1760	1400	475	95	130	450	2350	3080	o.r.
1RQ7 503-2KA80-0AA2	6450	950	1220	1920	1320	250	110	165	500	2710	2920	o.r.
1RQ7 503-2KA80-0AC2	6400	950	1220	1920	1320	530	120	165	500	2710	3200	o.r.
1RQ7 503-2KA80-0CA2	6600	950	1220	1920	1320	250	110	165	500	2710	2920	o.r.
1RQ7 503-2KA80-0CC2	6550	950	1220	1920	1320	530	120	165	500	2710	3200	o.r.
1RQ7 504-2KA80-0AA2	6500	950	1220	1920	1320	250	110	165	500	2710	2920	o.r.
1RQ7 504-2KA80-0AC2	6450	950	1220	1920	1320	530	120	165	500	2710	3200	o.r.
1RQ7 504-2KA80-0CA2	6650	950	1220	1920	1320	250	110	165	500	2710	2920	o.r.
1RQ7 504-2KA80-0CC2	6600	950	1220	1920	1320	530	120	165	500	2710	3200	o.r.
1RQ7 507-2KA80-0AA2	7200	950	1220	1920	1500	250	110	165	500	2710	3130	o.r.
1RQ7 507-2KA80-0AC2	7150	950	1220	1920	1500	530	120	165	500	2710	3410	o.r.
1RQ7 507-2KA80-0CA2	7350	950	1220	1920	1500	250	110	165	500	2710	3130	o.r.
1RQ7 507-2KA80-0CC2	7300	950	1220	1920	1500	530	120	165	500	2710	3410	o.r.
1RQ7 508-2KA80-0CA2	7750	950	1220	1920	1500	250	110	165	500	2710	3130	o.r.
1RQ7 508-2KA80-0CC2	7650	950	1220	1920	1500	530	120	165	500	2710	3410	o.r.
1RQ7 508-2KA80-0AA2	7600	950	1220	1920	1500	250	110	165	500	2710	3130	o.r.
1RQ7 508-2KA80-0AC2	7500	950	1220	1920	1500	530	120	165	500	2710	3410	o.r.
1RQ7 562-2KA80-0CC2	8150	1060	1290	2060	1400	600	150	200	560	2830	3440	o.r.
1RQ7 563-2KA80-0CC2	8400	1060	1290	2060	1400	600	150	200	560	2830	3440	o.r.
1RQ7 564-2KA80-0CC2	8650	1060	1290	2060	1400	600	150	200	560	2830	3440	o.r.
1RQ7 567-2KA80-0CC2	9550	1060	1290	2060	1600	600	150	200	560	2830	3670	o.r.

Motor type	Weight	Dimensions										
	kg	A mm	AD mm	AE mm	B mm	C mm	D mm	E mm	H mm	HD mm	L mm	ML mm
Innomotics HV M - 1RQ. IC616 10000 V / 50 Hz B3 (IM 1001) - Dimension drawings												
1RQ7 568-2KA80-OCC2	10100	1060	1290	2060	1600	600	150	200	560	2830	3670	o.r.
1RQ8 633-2KA80-OCJ0	10900	1320	1520	2520	1600	560	160	240	630	3800	4060	o.r.
1RQ8 634-2KA80-OCJ2	11400	1320	1520	2520	1600	560	160	240	630	3800	4060	o.r.
1RQ8 637-2KA80-OCJ0	12300	1320	1520	2520	1800	560	160	240	630	3800	4260	o.r.
1RQ8 638-2KA80-OCJ0	12900	1320	1520	2520	1800	560	160	240	630	3800	4260	o.r.
1RQ8 712-2KA80-OCJ0	14300	1500	1620	2720	2000	560	180	240	710	3090	4070	o.r.
1RQ8 713-2KA80-OCJ0	15000	1500	1620	2720	2000	560	180	240	710	3090	4070	o.r.
1RQ8 714-2KA80-OCJ0	15700	1500	1620	2720	2000	560	180	240	710	3090	4070	o.r.
1RQ8 716-2KA80-OCJ0	16800	1500	1620	2720	2240	560	180	240	710	3090	4310	o.r.
1RQ8 717-2KA80-OCJ0	17600	1500	1620	2720	2240	560	180	240	710	3090	4310	o.r.
1RQ8 718-2KA80-OCJ2	18550	1500	1620	2720	2240	560	180	240	710	3090	4310	o.r.
4-pole												
1RQ7 453-4KA80-OAA2	4650	850	1140	1760	1180	250	130	200	450	2350	2710	o.r.
1RQ7 453-4KA80-OAC2	4700	850	1140	1760	1180	500	130	200	450	2350	2960	o.r.
1RQ7 453-4KA80-OCA2	4800	850	1140	1760	1180	250	130	200	450	2350	2710	o.r.
1RQ7 453-4KA80-OCC2	4850	850	1140	1760	1180	500	130	200	450	2350	2960	o.r.
1RQ7 454-4KA80-OAA2	4850	850	1140	1760	1180	250	130	200	450	2350	2710	o.r.
1RQ7 454-4KA80-OAC2	4850	850	1140	1760	1180	500	130	200	450	2350	2960	o.r.
1RQ7 454-4KA80-OCA2	5000	850	1140	1760	1180	250	130	200	450	2350	2710	o.r.
1RQ7 454-4KA80-OCC2	5000	850	1140	1760	1180	500	130	200	450	2350	2960	o.r.
1RQ7 457-4KA80-OCA2	5650	850	1140	1760	1400	250	130	200	450	2350	2920	o.r.
1RQ7 457-4KA80-OCC2	5700	850	1140	1760	1400	500	130	200	450	2350	3170	o.r.
1RQ7 457-4KA80-OAA2	5450	850	1140	1760	1400	250	130	200	450	2350	2920	o.r.
1RQ7 457-4KA80-OAC2	5450	850	1140	1760	1400	500	130	200	450	2350	3170	o.r.
1RQ7 458-4KA80-OCA2	5850	850	1140	1760	1400	250	130	200	450	2350	2920	o.r.
1RQ7 458-4KA80-OCC2	5900	850	1140	1760	1400	500	130	200	450	2350	3170	o.r.
1RQ7 458-4KA80-OAA2	5650	850	1140	1760	1400	250	130	200	450	2350	2920	o.r.
1RQ7 458-4KA80-OAC2	5700	850	1140	1760	1400	500	130	200	450	2350	3170	o.r.
1RQ7 503-4KA80-OAA2	6700	950	1220	1920	1320	315	160	240	500	2710	3060	o.r.
1RQ7 503-4KA80-OAC2	6800	950	1220	1920	1320	560	170	240	500	2710	3300	o.r.
1RQ7 503-4KA80-OCA2	6850	950	1220	1920	1320	315	160	240	500	2710	3060	o.r.
1RQ7 503-4KA80-OCC2	6950	950	1220	1920	1320	560	170	240	500	2710	3300	o.r.
1RQ7 504-4KA80-OCA2	7100	950	1220	1920	1320	315	160	240	500	2710	3060	o.r.
1RQ7 504-4KA80-OCC2	7150	950	1220	1920	1320	560	170	240	500	2710	3300	o.r.
1RQ7 504-4KA80-OAA2	6950	950	1220	1920	1320	315	160	240	500	2710	3060	o.r.
1RQ7 504-4KA80-OAC2	7000	950	1220	1920	1320	560	170	240	500	2710	3300	o.r.
1RQ7 507-4KA80-OCA2	7750	950	1220	1920	1500	315	160	240	500	2710	3270	o.r.

Motor type	Weight		Dimensions									
	kg	A mm	AD mm	AE mm	B mm	C mm	D mm	E mm	H mm	HD mm	L mm	ML mm
Innomotics HV M - 1RQ. IC616 10000 V / 50 Hz B3 (IM 1001) - Dimension drawings												
1RQ7 507-4KA80-0CC2	7850	950	1220	1920	1500	560	170	240	500	2710	3510	o.r.
1RQ7 507-4KA80-0AA2	7600	950	1220	1920	1500	315	160	240	500	2710	3270	o.r.
1RQ7 507-4KA80-0AC2	7700	950	1220	1920	1500	560	170	240	500	2710	3510	o.r.
1RQ7 508-4KA80-0CA2	8100	950	1220	1920	1500	315	160	240	500	2710	3270	o.r.
1RQ7 508-4KA80-0CC2	8200	950	1220	1920	1500	560	170	240	500	2710	3510	o.r.
1RQ7 508-4KA80-0AA2	7950	950	1220	1920	1500	315	160	240	500	2710	3270	o.r.
1RQ7 508-4KA80-0AC2	8050	950	1220	1920	1500	560	170	240	500	2710	3510	o.r.
1RQ7 563-4KA80-0CA2	8450	1060	1290	2060	1400	335	190	280	560	2830	3250	o.r.
1RQ7 563-4KA80-0CC2	8500	1060	1290	2060	1400	600	190	280	560	2830	3520	o.r.
1RQ7 564-4KA80-0CA2	8900	1060	1290	2060	1400	335	190	280	560	2830	3250	o.r.
1RQ7 564-4KA80-0CC2	9000	1060	1290	2060	1400	600	190	280	560	2830	3520	o.r.
1RQ7 566-4KA80-0CA2	9700	1060	1290	2060	1600	335	190	280	560	2830	3480	o.r.
1RQ7 566-4KA80-0CC2	9750	1060	1290	2060	1600	600	190	280	560	2830	3750	o.r.
1RQ7 567-4KA80-0CA2	10200	1060	1290	2060	1600	335	190	280	560	2830	3480	o.r.
1RQ7 567-4KA80-0CC2	10300	1060	1290	2060	1600	600	190	280	560	2830	3750	o.r.
1RQ7 568-4KA80-0CA2	10650	1060	1290	2060	1600	335	190	280	560	2830	3480	o.r.
1RQ7 568-4KA80-0CC2	10700	1060	1290	2060	1600	600	190	280	560	2830	3750	o.r.
1RQ8 633-4KA80-0CG0	11550	1320	1520	2520	1600	375	200	280	630	3800	3920	o.r.
1RQ8 633-4KA80-0CJ0	11650	1320	1520	2520	1600	630	200	280	630	3800	4170	o.r.
1RQ8 634-4KA80-0CG2	12100	1320	1520	2520	1600	375	200	280	630	3800	3920	o.r.
1RQ8 634-4KA80-0CJ2	12200	1320	1520	2520	1600	630	200	280	630	3800	4170	o.r.
1RQ8 637-4KA80-0CG0	13000	1320	1520	2520	1800	375	200	280	630	3800	4120	o.r.
1RQ8 637-4KA80-0CJ0	13100	1320	1520	2520	1800	630	200	280	630	3800	4370	o.r.
1RQ8 638-4KA80-0CG0	13600	1320	1520	2520	1800	375	200	280	630	3800	4120	o.r.
1RQ8 638-4KA80-0CJ0	13700	1320	1520	2520	1800	630	200	280	630	3800	4370	o.r.
1RQ8 712-4KA80-0CG0	15400	1500	1620	2720	2000	375	220	280	710	3090	3920	o.r.
1RQ8 712-4KA80-0CJ0	15550	1500	1620	2720	2000	630	220	280	710	3090	4180	o.r.
1RQ8 713-4KA80-0CG0	16150	1500	1620	2720	2000	375	220	280	710	3090	3920	o.r.
1RQ8 713-4KA80-0CJ0	16250	1500	1620	2720	2000	630	220	280	710	3090	4180	o.r.
1RQ8 714-4KA80-0CG0	16900	1500	1620	2720	2000	375	220	280	710	3090	3920	o.r.
1RQ8 714-4KA80-0CJ0	17000	1500	1620	2720	2000	630	220	280	710	3090	4180	o.r.
1RQ8 717-4KA80-0CG0	18200	1500	1620	2720	2240	375	220	280	710	3090	4160	o.r.
1RQ8 717-4KA80-0CJ0	18350	1500	1620	2720	2240	630	220	280	710	3090	4420	o.r.
1RQ8 718-4KA80-0CG0	18700	1500	1620	2720	2240	375	220	280	710	3090	4160	o.r.
1RQ8 718-4KA80-0CJ0	18850	1500	1620	2720	2240	630	220	280	710	3090	4420	o.r.
6-pole												
1RQ7 452-6KA80-0AA2	4550	850	1140	1760	1180	250	130	200	450	2350	2710	o.r.

Motor type	Weight	Dimensions										
	kg	A mm	AD mm	AE mm	B mm	C mm	D mm	E mm	H mm	HD mm	L mm	ML mm
Innomotics HV M - 1RQ. IC616 10000 V / 50 Hz B3 (IM 1001) - Dimension drawings												
1RQ7 452-6KA80-0AC2	4550	850	1140	1760	1180	500	130	200	450	2350	2960	o.r.
1RQ7 452-6KA80-0CA2	4700	850	1140	1760	1180	250	130	200	450	2350	2710	o.r.
1RQ7 452-6KA80-0CC2	4700	850	1140	1760	1180	500	130	200	450	2350	2960	o.r.
1RQ7 453-6KA80-0AA0	4700	850	1140	1760	1180	250	130	200	450	2350	2710	o.r.
1RQ7 453-6KA80-0AC0	4700	850	1140	1760	1180	500	130	200	450	2350	2960	o.r.
1RQ7 453-6KA80-0CA0	4850	850	1140	1760	1180	250	130	200	450	2350	2710	o.r.
1RQ7 453-6KA80-0CC0	4850	850	1140	1760	1180	500	130	200	450	2350	2960	o.r.
1RQ7 454-6KA80-0AA2	4850	850	1140	1760	1180	250	130	200	450	2350	2710	o.r.
1RQ7 454-6KA80-0AC2	4900	850	1140	1760	1180	500	130	200	450	2350	2960	o.r.
1RQ7 454-6KA80-0CA2	5000	850	1140	1760	1180	250	130	200	450	2350	2710	o.r.
1RQ7 454-6KA80-0CC2	5050	850	1140	1760	1180	500	130	200	450	2350	2960	o.r.
1RQ7 457-6KA80-0AA2	5350	850	1140	1760	1400	250	130	200	450	2350	2920	o.r.
1RQ7 457-6KA80-0AC2	5350	850	1140	1760	1400	500	130	200	450	2350	3170	o.r.
1RQ7 457-6KA80-0CA2	5500	850	1140	1760	1400	250	130	200	450	2350	2920	o.r.
1RQ7 457-6KA80-0CC2	5550	850	1140	1760	1400	500	130	200	450	2350	3170	o.r.
1RQ7 458-6KA80-0AA2	5600	850	1140	1760	1400	250	130	200	450	2350	2920	o.r.
1RQ7 458-6KA80-0AC2	5650	850	1140	1760	1400	500	130	200	450	2350	3170	o.r.
1RQ7 458-6KA80-0CA2	5800	850	1140	1760	1400	250	130	200	450	2350	2920	o.r.
1RQ7 458-6KA80-0CC2	5850	850	1140	1760	1400	500	130	200	450	2350	3170	o.r.
1RQ7 503-6KA80-0AA2	6750	950	1220	1920	1320	315	160	240	500	2620	3060	o.r.
1RQ7 503-6KA80-0AC2	6800	950	1220	1920	1320	560	170	240	500	2620	3300	o.r.
1RQ7 504-6KA80-0AA2	7000	950	1220	1920	1320	315	160	240	500	2620	3060	o.r.
1RQ7 504-6KA80-0AC2	7050	950	1220	1920	1320	560	170	240	500	2620	3300	o.r.
1RQ7 507-6KA80-0AA2	7750	950	1220	1920	1500	315	160	240	500	2620	3270	o.r.
1RQ7 507-6KA80-0AC2	7800	950	1220	1920	1500	560	170	240	500	2620	3510	o.r.
1RQ7 508-6KA80-0AA2	8000	950	1220	1920	1500	315	160	240	500	2620	3270	o.r.
1RQ7 508-6KA80-0AC2	8050	950	1220	1920	1500	560	170	240	500	2620	3510	o.r.
1RQ7 561-6KA80-0CA2	8450	1060	1290	2060	1400	335	190	280	560	2830	3250	o.r.
1RQ7 561-6KA80-0CC2	8550	1060	1290	2060	1400	600	190	280	560	2830	3520	o.r.
1RQ7 562-6KA80-0CA2	8750	1060	1290	2060	1400	335	190	280	560	2830	3250	o.r.
1RQ7 562-6KA80-0CC2	8850	1060	1290	2060	1400	600	190	280	560	2830	3520	o.r.
1RQ7 563-6KA80-0CA2	9050	1060	1290	2060	1400	335	190	280	560	2830	3250	o.r.
1RQ7 563-6KA80-0CC2	9100	1060	1290	2060	1400	600	190	280	560	2830	3520	o.r.
1RQ7 564-6KA80-0CA2	9450	1060	1290	2060	1400	335	190	280	560	2830	3250	o.r.
1RQ7 564-6KA80-0CC2	9500	1060	1290	2060	1400	600	190	280	560	2830	3520	o.r.
1RQ7 567-6KA80-0CA2	10350	1060	1290	2060	1600	335	190	280	560	2830	3480	o.r.
1RQ7 567-6KA80-0CC2	10450	1060	1290	2060	1600	600	190	280	560	2830	3750	o.r.

Motor type	Weight	Dimensions										
	kg	A mm	AD mm	AE mm	B mm	C mm	D mm	E mm	H mm	HD mm	L mm	ML mm
Innomotics HV M - 1RQ. IC616 10000 V / 50 Hz B3 (IM 1001) - Dimension drawings												
1RQ7 568-6KA80-OCA2	10950	1060	1290	2060	1600	335	190	280	560	2830	3480	o.r.
1RQ7 568-6KA80-OCC2	11000	1060	1290	2060	1600	600	190	280	560	2830	3750	o.r.
1RQ8 632-6KA80-OCG2	11500	1320	1520	2520	1600	375	200	280	630	3700	3920	o.r.
1RQ8 632-6KA80-OCJ2	11600	1320	1520	2520	1600	630	200	280	630	3700	4170	o.r.
1RQ8 633-6KA80-OCG0	11900	1320	1520	2520	1600	375	200	280	630	3700	3920	o.r.
1RQ8 633-6KA80-OCJ0	12000	1320	1520	2520	1600	630	200	280	630	3700	4170	o.r.
1RQ8 634-6KA80-OCG2	12450	1320	1520	2520	1600	375	200	280	630	3700	3920	o.r.
1RQ8 634-6KA80-OCJ2	12550	1320	1520	2520	1600	630	200	280	630	3700	4170	o.r.
1RQ8 637-6KA80-OCG0	13250	1320	1520	2520	1800	375	200	280	630	3700	4120	o.r.
1RQ8 637-6KA80-OCJ0	13350	1320	1520	2520	1800	630	200	280	630	3700	4370	o.r.
1RQ8 638-6KA80-OCG2	13800	1320	1520	2520	1800	375	200	280	630	3700	4120	o.r.
1RQ8 638-6KA80-OCJ2	13900	1320	1520	2520	1800	630	200	280	630	3700	4370	o.r.
1RQ8 712-6KA80-OCG0	15400	1500	1620	2720	2000	375	220	280	710	3090	3920	o.r.
1RQ8 712-6KA80-OCJ0	15550	1500	1620	2720	2000	630	220	280	710	3090	4180	o.r.
1RQ8 713-6KA80-OCG2	16350	1500	1620	2720	2000	375	220	280	710	3090	3920	o.r.
1RQ8 713-6KA80-OCJ2	16500	1500	1620	2720	2000	630	220	280	710	3090	4180	o.r.
1RQ8 714-6KA80-OCG0	17350	1500	1620	2720	2000	375	220	280	710	3090	3920	o.r.
1RQ8 714-6KA80-OCJ0	17500	1500	1620	2720	2000	630	220	280	710	3090	4180	o.r.
1RQ8 717-6KA80-OCG0	18900	1500	1620	2720	2240	375	220	280	710	3090	4160	o.r.
1RQ8 717-6KA80-OCJ0	19050	1500	1620	2720	2240	630	220	280	710	3090	4420	o.r.
1RQ8 718-6KA80-OCG0	19950	1500	1620	2720	2240	375	220	280	710	3090	4160	o.r.
1RQ8 718-6KA80-OCJ0	20100	1500	1620	2720	2240	630	220	280	710	3090	4420	o.r.
8-pole												
1RQ7 451-8KA80-OAA0	4500	850	1140	1760	1180	250	130	200	450	2350	2710	o.r.
1RQ7 451-8KA80-OAC0	4550	850	1140	1760	1180	500	130	200	450	2350	2960	o.r.
1RQ7 452-8KA80-OAA0	4650	850	1140	1760	1180	250	130	200	450	2350	2710	o.r.
1RQ7 452-8KA80-OAC0	4700	850	1140	1760	1180	500	130	200	450	2350	2960	o.r.
1RQ7 453-8KA80-OAA2	4850	850	1140	1760	1180	250	130	200	450	2350	2710	o.r.
1RQ7 453-8KA80-OAC2	4900	850	1140	1760	1180	500	130	200	450	2350	2960	o.r.
1RQ7 454-8KA80-OAA2	5100	850	1140	1760	1180	250	130	200	450	2350	2710	o.r.
1RQ7 454-8KA80-OAC2	5150	850	1140	1760	1180	500	130	200	450	2350	2960	o.r.
1RQ7 457-8KA80-OAA2	5600	850	1140	1760	1400	250	130	200	450	2350	2920	o.r.
1RQ7 457-8KA80-OAC2	5650	850	1140	1760	1400	500	130	200	450	2350	3170	o.r.
1RQ7 458-8KA80-OAA2	5850	850	1140	1760	1400	250	130	200	450	2350	2920	o.r.
1RQ7 458-8KA80-OAC2	5900	850	1140	1760	1400	500	130	200	450	2350	3170	o.r.
1RQ7 502-8KA80-OCA2	6700	950	1220	1920	1320	315	160	240	500	2620	3060	o.r.
1RQ7 502-8KA80-OCC2	6750	950	1220	1920	1320	560	170	240	500	2620	3300	o.r.

Motor type	Weight	Dimensions										
	kg	A mm	AD mm	AE mm	B mm	C mm	D mm	E mm	H mm	HD mm	L mm	ML mm
Innomotics HV M - 1RQ. IC616 10000 V / 50 Hz B3 (IM 1001) - Dimension drawings												
1RQ7 503-8KA80-0AA2	6750	950	1220	1920	1320	315	160	240	500	2620	3060	o.r.
1RQ7 503-8KA80-0AC2	6800	950	1220	1920	1320	560	170	240	500	2620	3300	o.r.
1RQ7 503-8KA80-0CA2	7000	950	1220	1920	1320	315	160	240	500	2620	3060	o.r.
1RQ7 503-8KA80-0CC2	7050	950	1220	1920	1320	560	170	240	500	2620	3300	o.r.
1RQ7 504-8KA80-0AA2	7050	950	1220	1920	1320	315	160	240	500	2620	3060	o.r.
1RQ7 504-8KA80-0AC2	7100	950	1220	1920	1320	560	170	240	500	2620	3300	o.r.
1RQ7 504-8KA80-0CA2	7250	950	1220	1920	1320	315	160	240	500	2620	3060	o.r.
1RQ7 504-8KA80-0CC2	7350	950	1220	1920	1320	560	170	240	500	2620	3300	o.r.
1RQ7 507-8KA80-0AA2	7700	950	1220	1920	1500	315	160	240	500	2620	3270	o.r.
1RQ7 507-8KA80-0AC2	7750	950	1220	1920	1500	560	170	240	500	2620	3510	o.r.
1RQ7 507-8KA80-0CA2	7950	950	1220	1920	1500	315	160	240	500	2620	3270	o.r.
1RQ7 507-8KA80-0CC2	8000	950	1220	1920	1500	560	170	240	500	2620	3510	o.r.
1RQ7 508-8KA80-0AA2	8050	950	1220	1920	1500	315	160	240	500	2620	3270	o.r.
1RQ7 508-8KA80-0AC2	8100	950	1220	1920	1500	560	170	240	500	2620	3510	o.r.
1RQ7 508-8KA80-0CA2	8350	950	1220	1920	1500	315	160	240	500	2620	3270	o.r.
1RQ7 508-8KA80-0CC2	8400	950	1220	1920	1500	560	170	240	500	2620	3510	o.r.
1RQ7 563-8KA80-0CA2	8950	1060	1290	2060	1400	335	190	280	560	2830	3250	o.r.
1RQ7 563-8KA80-0CC2	9000	1060	1290	2060	1400	600	190	280	560	2830	3520	o.r.
1RQ7 564-8KA80-0CA2	9400	1060	1290	2060	1400	335	190	280	560	2830	3250	o.r.
1RQ7 564-8KA80-0CC2	9450	1060	1290	2060	1400	600	190	280	560	2830	3520	o.r.
1RQ7 567-8KA80-0CA2	10350	1060	1290	2060	1600	335	190	280	560	2830	3480	o.r.
1RQ7 567-8KA80-0CC2	10450	1060	1290	2060	1600	600	190	280	560	2830	3750	o.r.
1RQ7 568-8KA80-0CA2	10850	1060	1290	2060	1600	335	190	280	560	2830	3480	o.r.
1RQ7 568-8KA80-0CC2	10900	1060	1290	2060	1600	600	190	280	560	2830	3750	o.r.
1RQ8 633-8KA80-0CG2	10750	1320	1520	2520	1600	375	200	280	630	3700	3920	o.r.
1RQ8 633-8KA80-0CJ2	10850	1320	1520	2520	1600	630	200	280	630	3700	4170	o.r.
1RQ8 634-8KA80-0CG0	11600	1320	1520	2520	1600	375	200	280	630	3700	3920	o.r.
1RQ8 634-8KA80-0CJ0	11700	1320	1520	2520	1600	630	200	280	630	3700	4170	o.r.
1RQ8 637-8KA80-0CG0	12750	1320	1520	2520	1800	375	200	280	630	3700	4120	o.r.
1RQ8 637-8KA80-0CJ0	12850	1320	1520	2520	1800	630	200	280	630	3700	4370	o.r.
1RQ8 638-8KA80-0CG0	13500	1320	1520	2520	1800	375	200	280	630	3700	4120	o.r.
1RQ8 638-8KA80-0CJ0	13600	1320	1520	2520	1800	630	200	280	630	3700	4370	o.r.
1RQ8 713-8KA80-0CG0	15600	1500	1620	2720	2000	375	220	280	710	3090	3920	o.r.
1RQ8 713-8KA80-0CJ0	15800	1500	1620	2720	2000	630	220	280	710	3090	4180	o.r.
1RQ8 714-8KA80-0CG0	16700	1500	1620	2720	2000	375	220	280	710	3090	3920	o.r.
1RQ8 714-8KA80-0CJ0	16900	1500	1620	2720	2000	630	220	280	710	3090	4180	o.r.
1RQ8 717-8KA80-0CG0	18400	1500	1620	2720	2240	375	220	280	710	3090	4160	o.r.

Motor type	Weight	Dimensions										
	kg	A mm	AD mm	AE mm	B mm	C mm	D mm	E mm	H mm	HD mm	L mm	ML mm
Innomotics HV M - 1RQ. IC616 10000 V / 50 Hz B3 (IM 1001) - Dimension drawings												
1RQ8 717-8KA80-0CJ0	18600	1500	1620	2720	2240	630	220	280	710	3090	4420	o.r.
1RQ8 718-8KA80-0CG0	19400	1500	1620	2720	2240	375	220	280	710	3090	4160	o.r.
1RQ8 718-8KA80-0CJ0	19600	1500	1620	2720	2240	630	220	280	710	3090	4420	o.r.

Innomotics HV M - 1RQ. IC616 11000 V / 50 Hz B3 (IM 1001)																					
Rated power IEC	Article No.	Speed	Rated current				Efficiency				Power factor				Torque	Breakdown torque	Locked rotor torque	Locked rotor current	Inertia		
			I_R	5/4 load	4/4 load	3/4 load	2/4 load	5/4 load	4/4 load	3/4 load	2/4 load	5/4 load	4/4 load	3/4 load					2/4 load	T_R	T_B/ T_R
kW		rpm	A	%	%	%	%	cos φ	cos φ	cos φ	cos φ	Nm	[-]	[-]	[-]	[-]	kgm ²	kgm ²	[-]		
2-pole: n_{sync} = 3000 rpm at 50 Hz																					
1150	1RQ7 453-2KA90-0A.0	2982	73	95.1	95.5	95.3	94.3	0.86	0.86	0.83	0.74	3683	2.80	0.60	6.5	10	60	o.r.			
1150	1RQ7 453-2KA90-0C.0	2983	71	95.1	95.5	95.3	94.3	0.89	0.89	0.87	0.82	3681	2.85	0.70	6.5	14	70	o.r.			
1250	1RQ7 454-2KA90-0A.0	2982	78	95.2	95.7	95.6	94.9	0.88	0.88	0.86	0.81	4003	2.80	0.60	6.5	11	60	o.r.			
1250	1RQ7 454-2KA90-0C.0	2983	76	95.2	95.6	95.4	94.5	0.90	0.90	0.89	0.84	4002	2.90	0.75	6.5	15	70	o.r.			
1440	1RQ7 457-2KA90-0A.0	2982	90	95.4	95.8	95.7	94.8	0.88	0.88	0.84	0.77	4611	2.85	0.65	6.5	12	70	o.r.			
1450	1RQ7 457-2KA90-0C.0	2983	88	95.4	95.8	95.7	94.9	0.90	0.90	0.89	0.84	4642	2.90	0.75	6.5	16	95	o.r.			
1540	1RQ7 458-2KA90-0A.0	2982	93	95.6	96.1	96.1	95.5	0.90	0.90	0.89	0.85	4932	2.85	0.65	6.5	13	70	o.r.			
1600	1RQ7 458-2KA90-0C.0	2983	96	95.7	96.1	96.0	95.2	0.90	0.91	0.90	0.85	5122	3.00	0.75	6.5	17	105	o.r.			
1750	1RQ7 502-2KA90-0C.0	2979	108	95.5	95.8	95.9	95.4	0.88	0.88	0.87	0.82	5610	2.55	0.60	5.0	18	122	o.r.			
1950	1RQ7 503-2KA90-0C.0	2979	120	95.9	96.2	96.3	95.9	0.89	0.89	0.89	0.85	6251	2.60	0.70	5.1	20	132	o.r.			
1800	1RQ7 503-2KA90-0A.0	2974	110	95.6	96.0	96.2	96.0	0.89	0.89	0.89	0.85	5780	2.65	0.60	5.3	15	34	o.r.			
1900	1RQ7 504-2KA90-0A.0	2975	116	95.7	96.1	96.3	96.0	0.89	0.89	0.89	0.85	6099	2.70	0.70	5.3	15	34	o.r.			
2300	1RQ7 507-2KA90-0C.0	2983	138	96.3	96.5	96.6	96.1	0.90	0.90	0.89	0.84	7363	3.00	0.85	6.1	24	146	o.r.			
2150	1RQ7 507-2KA90-0A.0	2976	130	96.0	96.4	96.5	96.3	0.90	0.90	0.90	0.86	6899	2.90	0.70	5.9	18	40	o.r.			
2450	1RQ7 508-2KA90-0C.0	2985	146	96.5	96.7	96.7	96.3	0.91	0.91	0.90	0.84	7838	3.30	0.95	6.8	27	162	o.r.			
2350	1RQ7 508-2KA90-0A.0	2976	140	96.2	96.6	96.8	96.7	0.91	0.91	0.91	0.88	7541	2.80	0.80	5.8	20	42	o.r.			
2880	1RQ7 562-2KA90-0CC0	2986	176	96.1	96.2	96.0	95.3	0.89	0.89	0.87	0.82	9210	2.90	0.80	6.5	41	240	o.r.			
3070	1RQ7 563-2KA90-0CC0	2986	186	96.3	96.3	96.2	95.5	0.89	0.90	0.88	0.84	9818	2.85	0.75	6.5	44	250	o.r.			
3490	1RQ7 564-2KA90-0CC0	2987	215	96.1	96.2	95.8	94.9	0.89	0.89	0.86	0.79	11157	3.20	0.85	6.5	47	230	o.r.			
4000	1RQ7 567-2KA90-0CC0	2986	240	96.4	96.4	96.3	95.5	0.90	0.91	0.89	0.84	12792	2.95	0.75	6.5	52	280	o.r.			
4250	1RQ7 568-2KA90-0CC0	2988	255	96.6	96.5	96.4	95.6	0.91	0.91	0.89	0.83	13583	3.30	0.80	6.8	58	245	o.r.			
4400	1RQ8 632-2KA90-0CJ0	2982	270	95.9	96.3	95.9	95.0	0.86	0.89	0.89	0.88	14090	2.00	0.55	4.8	75	310	o.r.			
4950	1RQ8 633-2KA90-0CJ0	2982	305	96.1	96.5	96.2	95.4	0.87	0.89	0.90	0.89	15851	2.05	0.55	4.9	82	300	o.r.			
5400	1RQ8 634-2KA90-0CJ0	2983	325	96.3	96.7	96.4	95.5	0.88	0.90	0.91	0.90	17287	2.20	0.60	5.2	90	300	o.r.			
6000	1RQ8 637-2KA90-0CJ0	2984	355	96.5	96.9	96.6	95.8	0.89	0.91	0.91	0.90	19201	2.35	0.65	5.5	99	310	o.r.			
6500	1RQ8 638-2KA90-0CJ0	2986	380	96.7	97.0	96.7	95.9	0.90	0.92	0.92	0.90	20787	2.55	0.65	6.0	107	320	o.r.			
7300	1RQ8 712-2KA90-0CJ0	2988	445	96.6	96.6	96.3	95.2	0.87	0.89	0.89	0.87	23330	2.15	0.60	5.1	149	250	o.r.			
7650	1RQ8 713-2KA90-0CJ0	2989	455	96.7	96.7	96.3	95.3	0.89	0.91	0.90	0.87	24440	2.45	0.70	5.8	160	240	o.r.			
8150	1RQ8 714-2KA90-0CJ0	2990	485	96.8	96.8	96.4	95.4	0.90	0.91	0.90	0.87	26029	2.55	0.60	6.1	172	260	o.r.			
8950	1RQ8 716-2KA90-0CJ0	2990	540	97.0	96.9	96.5	95.5	0.89	0.90	0.89	0.85	28584	2.45	0.55	5.9	183	300	o.r.			
9600	1RQ8 717-2KA90-0CJ0	2989	560	97.1	97.1	96.8	96.0	0.91	0.92	0.92	0.90	30670	2.45	0.60	5.8	200	250	o.r.			
10100	1RQ8 718-2KA90-0CJ0	2989	590	97.2	97.2	97.0	96.2	0.90	0.92	0.91	0.89	32268	2.35	0.50	5.7	216	310	o.r.			
4-pole: n_{sync} = 1500 rpm at 50 Hz																					
1200	1RQ7 453-4KA90-0C.0	1488	76	95.0	95.6	95.6	95.1	0.87	0.87	0.83	0.74	7701	2.70	0.60	5.8	23	315	o.r.			
1180	1RQ7 453-4KA90-0A.0	1485	75	94.8	95.4	95.5	95.1	0.87	0.87	0.83	0.75	7588	2.65	0.75	6.0	17	335	o.r.			
1240	1RQ7 454-4KA90-0A.0	1486	78	95.0	95.6	95.6	95.1	0.88	0.87	0.82	0.73	7968	2.75	0.85	6.5	19	335	o.r.			

Innomotics HV M - 1RQ. IC616 11000 V / 50 Hz B3 (IM 1001)																		
Rated power IEC	Article No.	Speed	Rated current I_R	Efficiency				Power factor				Torque T_R	Breakdown torque T_B/ T_R	Locked rotor torque T_{LR}/ T_R	Locked rotor current I_{LR}/ I_R	Inertia		
				5/4 load	4/4 load	3/4 load	2/4 load	5/4 load	4/4 load	3/4 load	2/4 load					motor	external	Startup max T/TR
kW		rpm	A	%	%	%	%	cos φ	cos φ	cos φ	cos φ	Nm	[-]	[-]	[-]	kgm ²	kgm ²	[-]
1290	1RQ7 454-4KA90-0C.0	1488	80	95.2	95.7	95.8	95.3	0.88	0.88	0.84	0.77	8279	2.70	0.65	6.0	25	320	o.r.
1520	1RQ7 457-4KA90-0C.0	1489	94	95.6	96.1	96.1	95.6	0.89	0.88	0.85	0.77	9748	2.90	0.70	6.5	30	415	o.r.
1400	1RQ7 457-4KA90-0A.0	1486	85	95.2	95.8	96.1	95.8	0.90	0.90	0.88	0.83	8997	2.75	0.85	6.5	22	420	o.r.
1670	1RQ7 458-4KA90-0C.0	1489	102	95.7	96.2	96.3	95.9	0.89	0.89	0.86	0.79	10710	2.90	0.70	6.5	32	480	o.r.
1540	1RQ7 458-4KA90-0A.0	1486	94	95.4	96.0	96.2	96.0	0.90	0.90	0.88	0.83	9896	2.80	0.85	6.5	24	420	o.r.
1870	1RQ7 503-4KA90-0A.0	1486	114	95.6	96.1	96.5	96.2	0.89	0.89	0.89	0.85	12017	2.40	0.80	5.3	37	615	o.r.
1900	1RQ7 503-4KA90-0C.0	1488	116	95.6	96.2	96.5	96.2	0.88	0.89	0.89	0.86	12193	2.40	0.60	5.0	45	570	o.r.
2100	1RQ7 504-4KA90-0C.0	1491	132	96.1	96.4	96.4	95.8	0.88	0.86	0.83	0.75	13450	2.90	0.70	5.9	50	705	o.r.
1950	1RQ7 504-4KA90-0A.0	1487	118	95.6	96.2	96.5	96.3	0.89	0.90	0.90	0.87	12523	2.50	0.90	5.5	40	615	o.r.
2260	1RQ7 507-4KA90-0A.0	1487	136	96.0	96.5	96.7	96.5	0.90	0.90	0.89	0.85	14513	2.65	0.95	6.0	46	610	o.r.
2300	1RQ7 507-4KA90-0C.0	1489	138	96.1	96.6	96.8	96.5	0.90	0.90	0.89	0.86	14750	2.65	0.70	5.5	56	760	o.r.
2500	1RQ7 508-4KA90-0C.0	1490	152	96.3	96.6	96.8	96.4	0.89	0.89	0.88	0.83	16022	2.65	0.65	5.6	61	660	o.r.
2350	1RQ7 508-4KA90-0A.0	1487	142	96.0	96.5	96.8	96.6	0.90	0.90	0.90	0.87	15091	2.65	0.95	6.0	50	750	o.r.
2850	1RQ7 562-4KA90-0C.0	1490	176	96.2	96.6	96.9	96.6	0.87	0.88	0.87	0.83	18265	2.25	0.60	5.4	74	865	o.r.
3000	1RQ7 563-4KA90-0C.0	1491	185	96.3	96.7	96.9	96.6	0.88	0.88	0.87	0.83	19214	2.40	0.65	5.8	80	915	o.r.
3350	1RQ7 564-4KA90-0C.0	1491	204	96.4	96.8	97.1	96.9	0.88	0.89	0.89	0.86	21455	2.30	0.65	5.5	90	1020	o.r.
3600	1RQ7 566-4KA90-0C.0	1492	216	96.6	97.0	97.2	97.0	0.89	0.90	0.89	0.86	23041	2.50	0.75	6.0	100	1125	o.r.
3960	1RQ7 567-4KA90-0C.0	1492	238	96.8	97.1	97.3	97.1	0.90	0.90	0.90	0.86	25345	2.55	0.75	6.3	110	1215	o.r.
4260	1RQ7 568-4KA90-0C.0	1492	256	96.9	97.2	97.4	97.2	0.90	0.90	0.89	0.85	27265	2.65	0.75	6.5	119	1325	o.r.
5000	1RQ8 633-4KA90-0C.0	1492	305	96.5	96.8	96.7	96.1	0.88	0.89	0.88	0.83	32002	2.55	0.55	6.0	151	790	o.r.
5250	1RQ8 634-4KA90-0C.0	1493	320	96.6	96.8	96.7	96.1	0.88	0.89	0.87	0.81	33579	2.60	0.55	6.0	165	970	o.r.
5900	1RQ8 637-4KA90-0C.0	1493	355	96.8	97.0	97.0	96.4	0.89	0.90	0.88	0.83	37737	2.60	0.55	6.0	181	1000	o.r.
6500	1RQ8 638-4KA90-0C.0	1493	400	96.9	97.1	97.0	96.4	0.88	0.88	0.85	0.79	41574	2.60	0.55	6.0	196	1140	o.r.
6900	1RQ8 712-4KA90-0C.0	1492	415	96.7	97.1	97.1	96.7	0.89	0.90	0.90	0.87	44162	2.35	0.50	5.6	259	1000	o.r.
7400	1RQ8 713-4KA90-0C.0	1492	440	96.9	97.2	97.3	96.8	0.89	0.91	0.90	0.88	47362	2.45	0.50	5.9	284	1110	o.r.
8050	1RQ8 714-4KA90-0C.0	1492	475	97.0	97.3	97.4	97.0	0.90	0.91	0.91	0.88	51523	2.55	0.55	6.0	312	1200	o.r.
8700	1RQ8 717-4KA90-0C.0	1493	520	97.1	97.4	97.4	97.0	0.90	0.91	0.91	0.88	55646	2.60	0.55	6.0	344	1410	o.r.
9350	1RQ8 718-4KA90-0C.0	1493	560	97.2	97.5	97.5	97.0	0.89	0.90	0.89	0.84	59803	2.60	0.50	6.0	360	1540	o.r.
6-pole: $n_{sync} = 1000$ rpm at 50 Hz																		
830	1RQ7 452-6KA90-0A.0	990	55	94.1	94.9	95.2	95.0	0.84	0.84	0.80	0.70	8006	2.45	0.80	5.5	20	385	o.r.
860	1RQ7 452-6KA90-0C.0	990	56	93.9	94.9	95.2	95.1	0.85	0.85	0.83	0.75	8295	2.35	0.70	5.4	27	465	o.r.
900	1RQ7 453-6KA90-0A.0	990	58	94.3	95.1	95.4	95.2	0.85	0.85	0.81	0.72	8681	2.45	0.85	5.5	22	395	o.r.
920	1RQ7 453-6KA90-0C.0	991	59	94.3	95.1	95.3	95.2	0.85	0.86	0.82	0.74	8865	2.50	0.80	5.5	30	470	o.r.
980	1RQ7 454-6KA90-0A.0	990	63	94.5	95.3	95.6	95.4	0.85	0.86	0.82	0.74	9453	2.45	0.85	5.5	24	450	o.r.
1000	1RQ7 454-6KA90-0C.0	991	64	94.5	95.2	95.5	95.4	0.86	0.86	0.83	0.76	9636	2.50	0.80	5.5	33	550	o.r.
1080	1RQ7 457-6KA90-0A.0	990	68	94.6	95.4	95.8	95.7	0.86	0.87	0.84	0.77	10417	2.40	0.85	5.5	28	530	o.r.
1100	1RQ7 457-6KA90-0C.0	991	70	94.6	95.4	95.7	95.6	0.87	0.87	0.84	0.78	10600	2.50	0.80	5.5	36	645	o.r.

Innomotics HV M - 1RQ. IC616 11000 V / 50 Hz B3 (IM 1001)																		
Rated power IEC	Article No.	Speed	Rated current I_R	Efficiency				Power factor				Torque T_R	Breakdown torque T_B/ T_R	Locked rotor torque T_{LR}/ T_R	Locked rotor current I_{LR}/ I_R	Inertia		
				5/4 load	4/4 load	3/4 load	2/4 load	5/4 load	4/4 load	3/4 load	2/4 load					motor	external	Startup max T/TR
kW		rpm	A	%	%	%	%	cos φ	cos φ	cos φ	cos φ	Nm	[-]	[-]	[-]	kgm ²	kgm ²	[-]
1200	1RQ7 458-6KA90-0C.0	991	75	94.8	95.6	95.9	95.9	0.87	0.88	0.85	0.79	11563	2.50	0.80	5.5	41	740	o.r.
1180	1RQ7 458-6KA90-0A.0	990	74	94.8	95.6	96.0	96.0	0.87	0.87	0.85	0.79	11382	2.35	0.85	5.5	31	615	o.r.
1400	1RQ7 502-6KA90-0C.0	993	90	95.5	96.0	96.1	95.8	0.85	0.85	0.80	0.71	13463	2.65	0.85	5.4	54	1130	o.r.
1350	1RQ7 502-6KA90-0A.0	991	86	95.0	95.7	96.1	95.9	0.85	0.86	0.84	0.78	13009	2.35	0.90	5.0	42	750	o.r.
1600	1RQ7 503-6KA90-0C.0	993	102	95.6	96.2	96.3	96.0	0.85	0.85	0.81	0.72	15387	2.65	0.90	5.4	60	1250	o.r.
1530	1RQ7 503-6KA90-0A.0	991	96	95.1	95.8	96.2	96.1	0.85	0.87	0.85	0.79	14743	2.25	0.90	4.9	46	860	o.r.
1630	1RQ7 504-6KA90-0A.0	992	104	95.5	96.0	96.3	96.0	0.85	0.85	0.82	0.72	15691	2.65	1.10	5.7	51	980	o.r.
1750	1RQ7 504-6KA90-0C.0	993	112	95.8	96.3	96.4	96.1	0.85	0.85	0.81	0.72	16829	2.70	0.85	5.4	66	1400	o.r.
1920	1RQ7 507-6KA90-0C.0	994	124	96.0	96.5	96.5	96.2	0.84	0.84	0.79	0.69	18445	2.75	0.85	5.4	74	1600	o.r.
1830	1RQ7 507-6KA90-0A.0	992	114	95.6	96.1	96.5	96.3	0.86	0.87	0.85	0.78	17616	2.50	1.00	5.4	58	1150	o.r.
2000	1RQ7 508-6KA90-0A.0	992	126	95.8	96.3	96.7	96.5	0.86	0.87	0.84	0.77	19253	2.60	0.95	5.6	63	1350	o.r.
2050	1RQ7 508-6KA90-0C.0	994	128	96.0	96.6	96.7	96.5	0.87	0.87	0.84	0.78	19694	2.65	0.85	5.5	81	1800	o.r.
2240	1RQ7 561-6KA90-0C.0	993	144	95.7	96.3	96.3	96.0	0.85	0.85	0.83	0.76	21541	2.55	0.70	5.6	96	1090	o.r.
2600	1RQ7 562-6KA90-0C.0	993	166	96.0	96.5	96.5	96.2	0.84	0.85	0.83	0.75	25003	2.50	0.65	5.5	105	1450	o.r.
2800	1RQ7 564-6KA90-0C.0	993	174	96.1	96.6	96.7	96.5	0.86	0.87	0.85	0.81	26927	2.50	0.65	5.6	123	1550	o.r.
3150	1RQ7 567-6KA90-0C.0	994	198	96.3	96.8	96.8	96.5	0.86	0.86	0.84	0.77	30262	2.75	0.70	6.0	134	1790	o.r.
3300	1RQ7 568-6KA90-0C.0	995	210	96.5	96.9	96.8	96.4	0.86	0.86	0.83	0.75	31671	3.05	0.80	6.5	150	2090	o.r.
3750	1RQ8 632-6KA90-0C.0	993	235	96.1	96.5	96.5	95.8	0.85	0.86	0.82	0.73	36062	2.45	0.60	5.5	193	2610	o.r.
4000	1RQ8 633-6KA90-0C.0	994	255	96.2	96.5	96.5	95.9	0.85	0.85	0.81	0.71	38428	2.50	0.60	5.5	208	2890	o.r.
4400	1RQ8 634-6KA90-0C.0	994	280	96.4	96.7	96.7	96.1	0.85	0.86	0.82	0.74	42271	2.50	0.60	5.5	227	3060	o.r.
4750	1RQ8 637-6KA90-0C.0	994	295	96.4	96.7	96.8	96.2	0.86	0.87	0.83	0.75	45633	2.50	0.60	5.5	245	3230	o.r.
4900	1RQ8 638-6KA90-0C.0	994	310	96.5	96.8	96.8	96.2	0.86	0.86	0.82	0.73	47074	2.55	0.60	5.5	263	3890	o.r.
5550	1RQ8 712-6KA90-0C.0	994	345	96.7	97.0	97.1	96.6	0.86	0.87	0.84	0.77	53319	2.50	0.55	5.5	331	2970	o.r.
6050	1RQ8 713-6KA90-0C.0	994	375	96.8	97.2	97.2	96.8	0.86	0.87	0.85	0.79	58122	2.40	0.55	5.5	373	3500	o.r.
6550	1RQ8 714-6KA90-0C.0	995	400	96.9	97.2	97.3	96.9	0.86	0.88	0.86	0.80	62862	2.40	0.55	5.5	422	4160	o.r.
7200	1RQ8 717-6KA90-0C.0	995	440	97.0	97.3	97.4	97.0	0.87	0.88	0.86	0.80	69100	2.45	0.50	5.5	475	4860	o.r.
7750	1RQ8 718-6KA90-0C.0	995	470	97.1	97.4	97.5	97.2	0.88	0.89	0.87	0.82	74379	2.45	0.55	5.5	522	5280	o.r.
8-pole: n_{sync} = 750 rpm at 50 Hz																		
520	1RQ7 451-8KA90-0A.0	743	37	93.2	94.2	94.4	93.8	0.80	0.78	0.70	0.55	6683	2.50	0.80	5.5	23	410	o.r.
540	1RQ7 451-8KA90-0C.0	743	38	93.3	94.2	94.5	94.0	0.82	0.80	0.73	0.59	6940	2.70	0.75	5.5	30	490	o.r.
580	1RQ7 452-8KA90-0A.0	743	40	93.4	94.4	94.7	94.4	0.81	0.80	0.73	0.59	7454	2.50	0.80	5.5	25	470	o.r.
590	1RQ7 452-8KA90-0C.0	743	40	93.5	94.5	94.7	94.4	0.83	0.81	0.75	0.62	7583	2.65	0.75	5.5	32	600	o.r.
660	1RQ7 453-8KA90-0A.0	743	46	94.0	94.9	95.1	94.7	0.81	0.79	0.72	0.57	8483	2.55	0.85	5.5	28	750	o.r.
680	1RQ7 453-8KA90-0C.0	743	46	94.1	94.9	95.1	94.8	0.82	0.81	0.74	0.61	8740	2.75	0.80	5.5	36	890	o.r.
750	1RQ7 454-8KA90-0A.0	744	53	94.3	95.1	95.2	94.7	0.80	0.78	0.68	0.52	9626	2.75	0.95	5.5	31	890	o.r.
760	1RQ7 454-8KA90-0C.0	744	52	94.4	95.2	95.3	94.8	0.81	0.80	0.71	0.56	9755	2.95	0.80	5.8	40	1060	o.r.
830	1RQ7 457-8KA90-0A.0	744	58	94.5	95.2	95.4	95.0	0.81	0.79	0.71	0.57	10653	2.75	0.95	5.5	35	1020	o.r.

Innomotics HV M - 1RQ. IC616 11000 V / 50 Hz B3 (IM 1001)																		
Rated power IEC	Article No.	Speed	Rated current I_R	Efficiency				Power factor				Torque T_R	Breakdown torque T_B/ T_R	Locked torque T_{LR}/ T_R	Locked rotor current I_{LR}/ I_R	Inertia		
				5/4 load	4/4 load	3/4 load	2/4 load	5/4 load	4/4 load	3/4 load	2/4 load					motor	external	Startup max T/TR
kW		rpm	A	%	%	%	%	$\cos \varphi$	$\cos \varphi$	$\cos \varphi$	$\cos \varphi$	Nm	[-]	[-]	[-]	kgm ²	kgm ²	[-]
840	1RQ7 457-8KA90-0C.0	744	58	94.6	95.3	95.4	95.0	0.82	0.80	0.73	0.59	10781	2.95	0.80	5.8	45	1220	o.r.
880	1RQ7 458-8KA90-0A.0	744	61	94.6	95.4	95.5	95.0	0.81	0.79	0.71	0.56	11295	2.80	0.95	5.7	39	1200	o.r.
900	1RQ7 458-8KA90-0C.0	744	62	94.7	95.4	95.5	95.1	0.82	0.80	0.73	0.59	11552	2.95	0.80	5.8	50	1330	o.r.
1000	1RQ7 501-8KA90-0A.0	744	70	95.0	95.5	95.7	95.4	0.80	0.79	0.74	0.62	12835	2.40	0.85	4.7	42	1570	o.r.
1000	1RQ7 501-8KA90-0C.0	743	67	94.7	95.4	95.8	95.6	0.82	0.82	0.78	0.69	12852	2.30	0.60	4.3	55	1460	o.r.
1100	1RQ7 502-8KA90-0A.0	744	78	95.0	95.5	95.9	95.6	0.81	0.78	0.75	0.64	14119	2.50	0.90	4.7	46	1400	o.r.
1100	1RQ7 502-8KA90-0C.0	743	74	94.8	95.5	96.0	95.9	0.82	0.82	0.79	0.71	14138	2.35	0.65	4.4	59	1660	o.r.
1250	1RQ7 503-8KA90-0A.0	744	85	95.1	95.7	96.1	95.9	0.81	0.81	0.77	0.67	16044	2.30	0.85	4.6	51	1510	o.r.
1370	1RQ7 507-8KA90-0A.0	744	92	95.6	96.1	96.3	96.0	0.82	0.81	0.76	0.66	17584	2.55	1.00	5.2	63	2710	o.r.
1400	1RQ7 507-8KA90-0C.0	743	91	95.2	95.9	96.4	96.3	0.84	0.84	0.81	0.73	17993	2.30	0.65	4.4	80	2240	o.r.
1550	1RQ7 508-8KA90-0A.0	745	106	95.7	96.1	96.3	96.0	0.81	0.80	0.75	0.63	19868	2.65	1.05	5.3	69	2610	o.r.
1600	1RQ7 508-8KA90-0C.0	744	106	95.7	96.2	96.4	96.2	0.83	0.83	0.78	0.68	20536	2.65	0.70	5.0	88	3010	o.r.
1800	1RQ7 563-8KA90-0C.0	745	120	95.6	96.0	96.3	95.9	0.82	0.82	0.79	0.70	23072	2.35	0.65	5.1	124	2810	o.r.
2000	1RQ7 564-8KA90-0C.0	744	134	95.7	96.1	96.5	96.3	0.82	0.82	0.80	0.73	25670	2.20	0.60	4.9	137	3135	o.r.
2240	1RQ7 567-8KA90-0C.0	745	150	95.9	96.1	96.6	96.4	0.83	0.82	0.80	0.72	28712	2.30	0.65	5.0	150	4020	o.r.
2500	1RQ7 568-8KA90-0C.0	744	166	96.1	96.2	96.8	96.4	0.83	0.82	0.80	0.73	32088	2.30	0.65	5.1	165	5205	o.r.
2950	1RQ8 634-8KA90-0C.0	744	188	95.5	96.1	96.1	95.7	0.85	0.86	0.83	0.76	37863	2.15	0.50	4.8	251	3210	o.r.
3350	1RQ8 637-8KA90-0C.0	744	210	95.9	96.3	96.3	95.9	0.86	0.87	0.83	0.75	42998	2.30	0.50	5.0	292	4650	o.r.
3550	1RQ8 638-8KA90-0C.0	744	220	96.0	96.5	96.5	96.1	0.87	0.87	0.83	0.76	45565	2.35	0.55	5.2	326	5480	o.r.
3800	1RQ8 712-8KA90-0C.0	746	240	96.2	96.6	96.5	96.0	0.86	0.86	0.81	0.72	48643	2.55	0.60	5.5	421	3900	o.r.
4150	1RQ8 713-8KA90-0C.0	746	260	96.4	96.7	96.6	96.0	0.86	0.86	0.81	0.71	53123	2.55	0.60	5.5	470	4270	o.r.
4650	1RQ8 714-8KA90-0C.0	746	290	96.5	96.8	96.7	96.3	0.87	0.87	0.82	0.74	59523	2.55	0.55	5.5	539	4260	o.r.
4950	1RQ8 717-8KA90-0C.0	746	305	96.5	96.9	96.9	96.6	0.87	0.88	0.84	0.77	63363	2.45	0.50	5.4	616	4640	o.r.
5300	1RQ8 718-8KA90-0C.0	746	330	96.6	97.0	97.0	96.7	0.87	0.87	0.84	0.77	67844	2.35	0.50	5.1	677	4860	o.r.

Motor type	Weight		Dimensions										
	kg	A	AD	AE	B	C	D	E	H	HD	L	ML	
		mm	mm	mm	mm	mm	mm	mm	mm	mm	mm	mm	mm
Innomotics HV M - 1RQ. IC616 11000 V / 50 Hz B3 (IM 1001) - Dimension drawings													
2-pole													
1RQ7 453-2KA90-0AA0	4650	850	1140	1760	1180	250	95	130	450	2350	2640	o.r.	
1RQ7 453-2KA90-0AC0	4550	850	1140	1760	1180	475	95	130	450	2350	2870	o.r.	
1RQ7 453-2KA90-0CA0	4750	850	1140	1760	1180	250	95	130	450	2350	2640	o.r.	
1RQ7 453-2KA90-0CC0	4650	850	1140	1760	1180	475	95	130	450	2350	2870	o.r.	
1RQ7 454-2KA90-0AA0	4750	850	1140	1760	1180	250	95	130	450	2350	2640	o.r.	
1RQ7 454-2KA90-0AC0	4650	850	1140	1760	1180	475	95	130	450	2350	2870	o.r.	
1RQ7 454-2KA90-0CA0	4850	850	1140	1760	1180	250	95	130	450	2350	2640	o.r.	
1RQ7 454-2KA90-0CC0	4750	850	1140	1760	1180	475	95	130	450	2350	2870	o.r.	
1RQ7 457-2KA90-0AA0	5200	850	1140	1760	1400	250	95	130	450	2350	2850	o.r.	
1RQ7 457-2KA90-0AC0	5100	850	1140	1760	1400	475	95	130	450	2350	3080	o.r.	
1RQ7 457-2KA90-0CA0	5350	850	1140	1760	1400	250	95	130	450	2350	2850	o.r.	
1RQ7 457-2KA90-0CC0	5250	850	1140	1760	1400	475	95	130	450	2350	3080	o.r.	
1RQ7 458-2KA90-0AA0	5400	850	1140	1760	1400	250	95	130	450	2350	2850	o.r.	
1RQ7 458-2KA90-0AC0	5300	850	1140	1760	1400	475	95	130	450	2350	3080	o.r.	
1RQ7 458-2KA90-0CA0	5550	850	1140	1760	1400	250	95	130	450	2350	2850	o.r.	
1RQ7 458-2KA90-0CC0	5450	850	1140	1760	1400	475	95	130	450	2350	3080	o.r.	
1RQ7 502-2KA90-0CA0	5900	950	1220	1920	1320	250	110	165	500	2710	2920	o.r.	
1RQ7 502-2KA90-0CC0	5800	950	1220	1920	1320	530	120	165	500	2710	3200	o.r.	
1RQ7 503-2KA90-0CA0	6550	950	1220	1920	1320	250	110	165	500	2710	2920	o.r.	
1RQ7 503-2KA90-0CC0	6500	950	1220	1920	1320	530	120	165	500	2710	3200	o.r.	
1RQ7 503-2KA90-0AA0	6400	950	1220	1920	1320	250	110	165	500	2710	2920	o.r.	
1RQ7 503-2KA90-0AC0	6350	950	1220	1920	1320	530	120	165	500	2710	3200	o.r.	
1RQ7 504-2KA90-0AA0	6500	950	1220	1920	1320	250	110	165	500	2710	2920	o.r.	
1RQ7 504-2KA90-0AC0	6450	950	1220	1920	1320	530	120	165	500	2710	3200	o.r.	
1RQ7 507-2KA90-0CA0	7350	950	1220	1920	1500	250	110	165	500	2710	3130	o.r.	
1RQ7 507-2KA90-0CC0	7250	950	1220	1920	1500	530	120	165	500	2710	3410	o.r.	
1RQ7 507-2KA90-0AA0	7150	950	1220	1920	1500	250	110	165	500	2710	3130	o.r.	
1RQ7 507-2KA90-0AC0	7100	950	1220	1920	1500	530	120	165	500	2710	3410	o.r.	
1RQ7 508-2KA90-0CA0	7700	950	1220	1920	1500	250	110	165	500	2710	3130	o.r.	
1RQ7 508-2KA90-0CC0	7600	950	1220	1920	1500	530	120	165	500	2710	3410	o.r.	
1RQ7 508-2KA90-0AA0	7500	950	1220	1920	1500	250	110	165	500	2710	3130	o.r.	
1RQ7 508-2KA90-0AC0	7450	950	1220	1920	1500	530	120	165	500	2710	3410	o.r.	
1RQ7 562-2KA90-0CC0	8100	1060	1290	2060	1400	600	150	200	560	2830	3440	o.r.	
1RQ7 563-2KA90-0CC0	8350	1060	1290	2060	1400	600	150	200	560	2830	3440	o.r.	
1RQ7 564-2KA90-0CC0	8600	1060	1290	2060	1400	600	150	200	560	2830	3440	o.r.	
1RQ7 567-2KA90-0CC0	9500	1060	1290	2060	1600	600	150	200	560	2830	3670	o.r.	

Motor type	Weight	Dimensions										
	kg	A mm	AD mm	AE mm	B mm	C mm	D mm	E mm	H mm	HD mm	L mm	ML mm
Innomotics HV M - 1RQ. IC616 11000 V / 50 Hz B3 (IM 1001) - Dimension drawings												
1RQ7 568-2KA90-0CC0	10000	1060	1290	2060	1600	600	150	200	560	2830	3670	o.r.
1RQ8 632-2KA90-0CJ0	10300	1320	1520	2520	1600	560	160	240	630	3800	4060	o.r.
1RQ8 633-2KA90-0CJ0	10800	1320	1520	2520	1600	560	160	240	630	3800	4060	o.r.
1RQ8 634-2KA90-0CJ0	11350	1320	1520	2520	1600	560	160	240	630	3800	4060	o.r.
1RQ8 637-2KA90-0CJ0	12200	1320	1520	2520	1800	560	160	240	630	3800	4260	o.r.
1RQ8 638-2KA90-0CJ0	12800	1320	1520	2520	1800	560	160	240	630	3800	4260	o.r.
1RQ8 712-2KA90-0CJ0	14400	1500	1620	2720	2000	560	180	240	710	3090	4070	o.r.
1RQ8 713-2KA90-0CJ0	14900	1500	1620	2720	2000	560	180	240	710	3090	4070	o.r.
1RQ8 714-2KA90-0CJ0	15550	1500	1620	2720	2000	560	180	240	710	3090	4070	o.r.
1RQ8 716-2KA90-0CJ0	16700	1500	1620	2720	2240	560	180	240	710	3090	4310	o.r.
1RQ8 717-2KA90-0CJ0	17500	1500	1620	2720	2240	560	180	240	710	3090	4310	o.r.
1RQ8 718-2KA90-0CJ0	18450	1500	1620	2720	2240	560	180	240	710	3090	4310	o.r.
4-pole												
1RQ7 453-4KA90-0CA0	4800	850	1140	1760	1180	250	130	200	450	2350	2710	o.r.
1RQ7 453-4KA90-0CC0	4800	850	1140	1760	1180	500	130	200	450	2350	2960	o.r.
1RQ7 453-4KA90-0AA0	4650	850	1140	1760	1180	250	130	200	450	2350	2710	o.r.
1RQ7 453-4KA90-0AC0	4700	850	1140	1760	1180	500	130	200	450	2350	2960	o.r.
1RQ7 454-4KA90-0AA0	4800	850	1140	1760	1180	250	130	200	450	2350	2710	o.r.
1RQ7 454-4KA90-0AC0	4800	850	1140	1760	1180	500	130	200	450	2350	2960	o.r.
1RQ7 454-4KA90-0CA0	4950	850	1140	1760	1180	250	130	200	450	2350	2710	o.r.
1RQ7 454-4KA90-0CC0	5000	850	1140	1760	1180	500	130	200	450	2350	2960	o.r.
1RQ7 457-4KA90-0CA0	5600	850	1140	1760	1400	250	130	200	450	2350	2920	o.r.
1RQ7 457-4KA90-0CC0	5600	850	1140	1760	1400	500	130	200	450	2350	3170	o.r.
1RQ7 457-4KA90-0AA0	5400	850	1140	1760	1400	250	130	200	450	2350	2920	o.r.
1RQ7 457-4KA90-0AC0	5450	850	1140	1760	1400	500	130	200	450	2350	3170	o.r.
1RQ7 458-4KA90-0CA0	5800	850	1140	1760	1400	250	130	200	450	2350	2920	o.r.
1RQ7 458-4KA90-0CC0	5850	850	1140	1760	1400	500	130	200	450	2350	3170	o.r.
1RQ7 458-4KA90-0AA0	5600	850	1140	1760	1400	250	130	200	450	2350	2920	o.r.
1RQ7 458-4KA90-0AC0	5650	850	1140	1760	1400	500	130	200	450	2350	3170	o.r.
1RQ7 503-4KA90-0AA0	6650	950	1220	1920	1320	315	160	240	500	2710	3060	o.r.
1RQ7 503-4KA90-0AC0	6750	950	1220	1920	1320	560	170	240	500	2710	3300	o.r.
1RQ7 503-4KA90-0CA0	6800	950	1220	1920	1320	315	160	240	500	2710	3060	o.r.
1RQ7 503-4KA90-0CC0	6900	950	1220	1920	1320	560	170	240	500	2710	3300	o.r.
1RQ7 504-4KA90-0CA0	7100	950	1220	1920	1320	315	160	240	500	2710	3060	o.r.
1RQ7 504-4KA90-0CC0	7150	950	1220	1920	1320	560	170	240	500	2710	3300	o.r.
1RQ7 504-4KA90-0AA0	6900	950	1220	1920	1320	315	160	240	500	2710	3060	o.r.
1RQ7 504-4KA90-0AC0	7000	950	1220	1920	1320	560	170	240	500	2710	3300	o.r.

Motor type	Weight		Dimensions									
	kg	A mm	AD mm	AE mm	B mm	C mm	D mm	E mm	H mm	HD mm	L mm	ML mm
Innomotics HV M - 1RQ. IC616 11000 V / 50 Hz B3 (IM 1001) - Dimension drawings												
1RQ7 507-4KA90-0AA0	7600	950	1220	1920	1500	315	160	240	500	2710	3270	o.r.
1RQ7 507-4KA90-0AC0	7700	950	1220	1920	1500	560	170	240	500	2710	3510	o.r.
1RQ7 507-4KA90-0CA0	7800	950	1220	1920	1500	315	160	240	500	2710	3270	o.r.
1RQ7 507-4KA90-0CC0	7850	950	1220	1920	1500	560	170	240	500	2710	3510	o.r.
1RQ7 508-4KA90-0CA0	8100	950	1220	1920	1500	315	160	240	500	2710	3270	o.r.
1RQ7 508-4KA90-0CC0	8150	950	1220	1920	1500	560	170	240	500	2710	3510	o.r.
1RQ7 508-4KA90-0AA0	7900	950	1220	1920	1500	315	160	240	500	2710	3270	o.r.
1RQ7 508-4KA90-0AC0	7950	950	1220	1920	1500	560	170	240	500	2710	3510	o.r.
1RQ7 562-4KA90-0CA0	8200	1060	1290	2060	1400	335	190	280	560	2830	3250	o.r.
1RQ7 562-4KA90-0CC0	8250	1060	1290	2060	1400	600	190	280	560	2830	3520	o.r.
1RQ7 563-4KA90-0CA0	8400	1060	1290	2060	1400	335	190	280	560	2830	3250	o.r.
1RQ7 563-4KA90-0CC0	8450	1060	1290	2060	1400	600	190	280	560	2830	3520	o.r.
1RQ7 564-4KA90-0CA0	8850	1060	1290	2060	1400	335	190	280	560	2830	3250	o.r.
1RQ7 564-4KA90-0CC0	8950	1060	1290	2060	1400	600	190	280	560	2830	3520	o.r.
1RQ7 566-4KA90-0CA0	9650	1060	1290	2060	1600	335	190	280	560	2830	3480	o.r.
1RQ7 566-4KA90-0CC0	9700	1060	1290	2060	1600	600	190	280	560	2830	3750	o.r.
1RQ7 567-4KA90-0CA0	10100	1060	1290	2060	1600	335	190	280	560	2830	3480	o.r.
1RQ7 567-4KA90-0CC0	10200	1060	1290	2060	1600	600	190	280	560	2830	3750	o.r.
1RQ7 568-4KA90-0CA0	10550	1060	1290	2060	1600	335	190	280	560	2830	3480	o.r.
1RQ7 568-4KA90-0CC0	10600	1060	1290	2060	1600	600	190	280	560	2830	3750	o.r.
1RQ8 633-4KA90-0CG0	11550	1320	1520	2520	1600	375	200	280	630	3800	3920	o.r.
1RQ8 633-4KA90-0CJ0	11650	1320	1520	2520	1600	630	200	280	630	3800	4170	o.r.
1RQ8 634-4KA90-0CG0	11950	1320	1520	2520	1600	375	200	280	630	3800	3920	o.r.
1RQ8 634-4KA90-0CJ0	12050	1320	1520	2520	1600	630	200	280	630	3800	4170	o.r.
1RQ8 637-4KA90-0CG0	12900	1320	1520	2520	1800	375	200	280	630	3800	4120	o.r.
1RQ8 637-4KA90-0CJ0	13000	1320	1520	2520	1800	630	200	280	630	3800	4370	o.r.
1RQ8 638-4KA90-0CG0	13500	1320	1520	2520	1800	375	200	280	630	3800	4120	o.r.
1RQ8 638-4KA90-0CJ0	13600	1320	1520	2520	1800	630	200	280	630	3800	4370	o.r.
1RQ8 712-4KA90-0CG0	15350	1500	1620	2720	2000	375	220	280	710	3090	3920	o.r.
1RQ8 712-4KA90-0CJ0	15500	1500	1620	2720	2000	630	220	280	710	3090	4180	o.r.
1RQ8 713-4KA90-0CG0	16050	1500	1620	2720	2000	375	220	280	710	3090	3920	o.r.
1RQ8 713-4KA90-0CJ0	16150	1500	1620	2720	2000	630	220	280	710	3090	4180	o.r.
1RQ8 714-4KA90-0CG0	16850	1500	1620	2720	2000	375	220	280	710	3090	3920	o.r.
1RQ8 714-4KA90-0CJ0	16950	1500	1620	2720	2000	630	220	280	710	3090	4180	o.r.
1RQ8 717-4KA90-0CG0	18050	1500	1620	2720	2240	375	220	280	710	3090	4160	o.r.
1RQ8 717-4KA90-0CJ0	18200	1500	1620	2720	2240	630	220	280	710	3090	4420	o.r.
1RQ8 718-4KA90-0CG0	18650	1500	1620	2720	2240	375	220	280	710	3090	4160	o.r.

Motor type	Weight		Dimensions										
	kg	A	AD	AE	B	C	D	E	H	HD	L	ML	
		mm	mm	mm	mm	mm	mm	mm	mm	mm	mm	mm	mm
Innomotics HV M - 1RQ. IC616 11000 V / 50 Hz B3 (IM 1001) - Dimension drawings													
1RQ8 718-4KA90-0CJ0	18800	1500	1620	2720	2240	630	220	280	710	3090	4420	o.r.	
6-pole													
1RQ7 452-6KA90-0AA0	4500	850	1140	1760	1180	250	130	200	450	2350	2710	o.r.	
1RQ7 452-6KA90-0AC0	4550	850	1140	1760	1180	500	130	200	450	2350	2960	o.r.	
1RQ7 452-6KA90-0CA0	4650	850	1140	1760	1180	250	130	200	450	2350	2710	o.r.	
1RQ7 452-6KA90-0CC0	4700	850	1140	1760	1180	500	130	200	450	2350	2960	o.r.	
1RQ7 453-6KA90-0AA0	4650	850	1140	1760	1180	250	130	200	450	2350	2710	o.r.	
1RQ7 453-6KA90-0AC0	4700	850	1140	1760	1180	500	130	200	450	2350	2960	o.r.	
1RQ7 453-6KA90-0CA0	4800	850	1140	1760	1180	250	130	200	450	2350	2710	o.r.	
1RQ7 453-6KA90-0CC0	4850	850	1140	1760	1180	500	130	200	450	2350	2960	o.r.	
1RQ7 454-6KA90-0AA0	4800	850	1140	1760	1180	250	130	200	450	2350	2710	o.r.	
1RQ7 454-6KA90-0AC0	4850	850	1140	1760	1180	500	130	200	450	2350	2960	o.r.	
1RQ7 454-6KA90-0CA0	5000	850	1140	1760	1180	250	130	200	450	2350	2710	o.r.	
1RQ7 454-6KA90-0CC0	5050	850	1140	1760	1180	500	130	200	450	2350	2960	o.r.	
1RQ7 457-6KA90-0AA0	5300	850	1140	1760	1400	250	130	200	450	2350	2920	o.r.	
1RQ7 457-6KA90-0AC0	5350	850	1140	1760	1400	500	130	200	450	2350	3170	o.r.	
1RQ7 457-6KA90-0CA0	5500	850	1140	1760	1400	250	130	200	450	2350	2920	o.r.	
1RQ7 457-6KA90-0CC0	5500	850	1140	1760	1400	500	130	200	450	2350	3170	o.r.	
1RQ7 458-6KA90-0CA0	5800	850	1140	1760	1400	250	130	200	450	2350	2920	o.r.	
1RQ7 458-6KA90-0CC0	5850	850	1140	1760	1400	500	130	200	450	2350	3170	o.r.	
1RQ7 458-6KA90-0AA0	5600	850	1140	1760	1400	250	130	200	450	2350	2920	o.r.	
1RQ7 458-6KA90-0AC0	5650	850	1140	1760	1400	500	130	200	450	2350	3170	o.r.	
1RQ7 502-6KA90-0CA0	6700	950	1220	1920	1320	315	160	240	500	2620	3060	o.r.	
1RQ7 502-6KA90-0CC0	6750	950	1220	1920	1320	560	170	240	500	2620	3300	o.r.	
1RQ7 502-6KA90-0AA0	6500	950	1220	1920	1320	315	160	240	500	2620	3060	o.r.	
1RQ7 502-6KA90-0AC0	6550	950	1220	1920	1320	560	170	240	500	2620	3300	o.r.	
1RQ7 503-6KA90-0CA0	6950	950	1220	1920	1320	315	160	240	500	2620	3060	o.r.	
1RQ7 503-6KA90-0CC0	7000	950	1220	1920	1320	560	170	240	500	2620	3300	o.r.	
1RQ7 503-6KA90-0AA0	6750	950	1220	1920	1320	315	160	240	500	2620	3060	o.r.	
1RQ7 503-6KA90-0AC0	6800	950	1220	1920	1320	560	170	240	500	2620	3300	o.r.	
1RQ7 504-6KA90-0AA0	6950	950	1220	1920	1320	315	160	240	500	2620	3060	o.r.	
1RQ7 504-6KA90-0AC0	7000	950	1220	1920	1320	560	170	240	500	2620	3300	o.r.	
1RQ7 504-6KA90-0CA0	7200	950	1220	1920	1320	315	160	240	500	2620	3060	o.r.	
1RQ7 504-6KA90-0CC0	7300	950	1220	1920	1320	560	170	240	500	2620	3300	o.r.	
1RQ7 507-6KA90-0CA0	7950	950	1220	1920	1500	315	160	240	500	2620	3270	o.r.	
1RQ7 507-6KA90-0CC0	8000	950	1220	1920	1500	560	170	240	500	2620	3510	o.r.	
1RQ7 507-6KA90-0AA0	7650	950	1220	1920	1500	315	160	240	500	2620	3270	o.r.	

Motor type	Weight		Dimensions									
	kg	A mm	AD mm	AE mm	B mm	C mm	D mm	E mm	H mm	HD mm	L mm	ML mm
Innomotics HV M - 1RQ. IC616 11000 V / 50 Hz B3 (IM 1001) - Dimension drawings												
1RQ7 507-6KA90-0AC0	7750	950	1220	1920	1500	560	170	240	500	2620	3510	o.r.
1RQ7 508-6KA90-0AA0	8000	950	1220	1920	1500	315	160	240	500	2620	3270	o.r.
1RQ7 508-6KA90-0AC0	8050	950	1220	1920	1500	560	170	240	500	2620	3510	o.r.
1RQ7 508-6KA90-0CA0	8250	950	1220	1920	1500	315	160	240	500	2620	3270	o.r.
1RQ7 508-6KA90-0CC0	8350	950	1220	1920	1500	560	170	240	500	2620	3510	o.r.
1RQ7 561-6KA90-0CA0	8400	1060	1290	2060	1400	335	190	280	560	2830	3250	o.r.
1RQ7 561-6KA90-0CC0	8450	1060	1290	2060	1400	600	190	280	560	2830	3520	o.r.
1RQ7 562-6KA90-0CA0	8750	1060	1290	2060	1400	335	190	280	560	2830	3250	o.r.
1RQ7 562-6KA90-0CC0	8850	1060	1290	2060	1400	600	190	280	560	2830	3520	o.r.
1RQ7 564-6KA90-0CA0	9400	1060	1290	2060	1400	335	190	280	560	2830	3250	o.r.
1RQ7 564-6KA90-0CC0	9450	1060	1290	2060	1400	600	190	280	560	2830	3520	o.r.
1RQ7 567-6KA90-0CA0	10250	1060	1290	2060	1600	335	190	280	560	2830	3480	o.r.
1RQ7 567-6KA90-0CC0	10350	1060	1290	2060	1600	600	190	280	560	2830	3750	o.r.
1RQ7 568-6KA90-0CA0	10850	1060	1290	2060	1600	335	190	280	560	2830	3480	o.r.
1RQ7 568-6KA90-0CC0	10950	1060	1290	2060	1600	600	190	280	560	2830	3750	o.r.
1RQ8 632-6KA90-0CG0	11400	1320	1520	2520	1600	375	200	280	630	3700	3920	o.r.
1RQ8 632-6KA90-0CJ0	11500	1320	1520	2520	1600	630	200	280	630	3700	4170	o.r.
1RQ8 633-6KA90-0CG0	11800	1320	1520	2520	1600	375	200	280	630	3700	3920	o.r.
1RQ8 633-6KA90-0CJ0	11950	1320	1520	2520	1600	630	200	280	630	3700	4170	o.r.
1RQ8 634-6KA90-0CG0	12350	1320	1520	2520	1600	375	200	280	630	3700	3920	o.r.
1RQ8 634-6KA90-0CJ0	12450	1320	1520	2520	1600	630	200	280	630	3700	4170	o.r.
1RQ8 637-6KA90-0CG0	13150	1320	1520	2520	1800	375	200	280	630	3700	4120	o.r.
1RQ8 637-6KA90-0CJ0	13250	1320	1520	2520	1800	630	200	280	630	3700	4370	o.r.
1RQ8 638-6KA90-0CG0	13700	1320	1520	2520	1800	375	200	280	630	3700	4120	o.r.
1RQ8 638-6KA90-0CJ0	13800	1320	1520	2520	1800	630	200	280	630	3700	4370	o.r.
1RQ8 712-6KA90-0CG0	15350	1500	1620	2720	2000	375	220	280	710	3090	3920	o.r.
1RQ8 712-6KA90-0CJ0	15450	1500	1620	2720	2000	630	220	280	710	3090	4180	o.r.
1RQ8 713-6KA90-0CG0	16250	1500	1620	2720	2000	375	220	280	710	3090	3920	o.r.
1RQ8 713-6KA90-0CJ0	16400	1500	1620	2720	2000	630	220	280	710	3090	4180	o.r.
1RQ8 714-6KA90-0CG0	17250	1500	1620	2720	2000	375	220	280	710	3090	3920	o.r.
1RQ8 714-6KA90-0CJ0	17400	1500	1620	2720	2000	630	220	280	710	3090	4180	o.r.
1RQ8 717-6KA90-0CG0	18800	1500	1620	2720	2240	375	220	280	710	3090	4160	o.r.
1RQ8 717-6KA90-0CJ0	18900	1500	1620	2720	2240	630	220	280	710	3090	4420	o.r.
1RQ8 718-6KA90-0CG0	19800	1500	1620	2720	2240	375	220	280	710	3090	4160	o.r.
1RQ8 718-6KA90-0CJ0	19950	1500	1620	2720	2240	630	220	280	710	3090	4420	o.r.
8-pole												
1RQ7 451-8KA90-0AA0	4500	850	1140	1760	1180	250	130	200	450	2350	2710	o.r.

Motor type	Weight	Dimensions										
	kg	A mm	AD mm	AE mm	B mm	C mm	D mm	E mm	H mm	HD mm	L mm	ML mm
Innomotics HV M - 1RQ. IC616 11000 V / 50 Hz B3 (IM 1001) - Dimension drawings												
1RQ7 451-8KA90-0AC0	4500	850	1140	1760	1180	500	130	200	450	2350	2960	o.r.
1RQ7 451-8KA90-0CA0	4600	850	1140	1760	1180	250	130	200	450	2350	2710	o.r.
1RQ7 451-8KA90-0CC0	4650	850	1140	1760	1180	500	130	200	450	2350	2960	o.r.
1RQ7 452-8KA90-0AA0	4600	850	1140	1760	1180	250	130	200	450	2350	2710	o.r.
1RQ7 452-8KA90-0AC0	4650	850	1140	1760	1180	500	130	200	450	2350	2960	o.r.
1RQ7 452-8KA90-0CA0	4750	850	1140	1760	1180	250	130	200	450	2350	2710	o.r.
1RQ7 452-8KA90-0CC0	4800	850	1140	1760	1180	500	130	200	450	2350	2960	o.r.
1RQ7 453-8KA90-0AA0	4850	850	1140	1760	1180	250	130	200	450	2350	2710	o.r.
1RQ7 453-8KA90-0AC0	4850	850	1140	1760	1180	500	130	200	450	2350	2960	o.r.
1RQ7 453-8KA90-0CA0	5000	850	1140	1760	1180	250	130	200	450	2350	2710	o.r.
1RQ7 453-8KA90-0CC0	5050	850	1140	1760	1180	500	130	200	450	2350	2960	o.r.
1RQ7 454-8KA90-0AA0	5050	850	1140	1760	1180	250	130	200	450	2350	2710	o.r.
1RQ7 454-8KA90-0AC0	5100	850	1140	1760	1180	500	130	200	450	2350	2960	o.r.
1RQ7 454-8KA90-0CA0	5250	850	1140	1760	1180	250	130	200	450	2350	2710	o.r.
1RQ7 454-8KA90-0CC0	5250	850	1140	1760	1180	500	130	200	450	2350	2960	o.r.
1RQ7 457-8KA90-0AA0	5600	850	1140	1760	1400	250	130	200	450	2350	2920	o.r.
1RQ7 457-8KA90-0AC0	5600	850	1140	1760	1400	500	130	200	450	2350	3170	o.r.
1RQ7 457-8KA90-0CA0	5750	850	1140	1760	1400	250	130	200	450	2350	2920	o.r.
1RQ7 457-8KA90-0CC0	5800	850	1140	1760	1400	500	130	200	450	2350	3170	o.r.
1RQ7 458-8KA90-0AA0	5850	850	1140	1760	1400	250	130	200	450	2350	2920	o.r.
1RQ7 458-8KA90-0AC0	5850	850	1140	1760	1400	500	130	200	450	2350	3170	o.r.
1RQ7 458-8KA90-0CA0	6050	850	1140	1760	1400	250	130	200	450	2350	2920	o.r.
1RQ7 458-8KA90-0CC0	6050	850	1140	1760	1400	500	130	200	450	2350	3170	o.r.
1RQ7 501-8KA90-0AA0	5750	950	1220	1920	1320	315	160	240	500	2620	3060	o.r.
1RQ7 501-8KA90-0AC0	5750	950	1220	1920	1320	560	170	240	500	2620	3300	o.r.
1RQ7 501-8KA90-0CA0	5950	950	1220	1920	1320	315	160	240	500	2620	3060	o.r.
1RQ7 501-8KA90-0CC0	5950	950	1220	1920	1320	560	170	240	500	2620	3300	o.r.
1RQ7 502-8KA90-0AA0	6500	950	1220	1920	1320	315	160	240	500	2620	3060	o.r.
1RQ7 502-8KA90-0AC0	6550	950	1220	1920	1320	560	170	240	500	2620	3300	o.r.
1RQ7 502-8KA90-0CA0	6700	950	1220	1920	1320	315	160	240	500	2620	3060	o.r.
1RQ7 502-8KA90-0CC0	6750	950	1220	1920	1320	560	170	240	500	2620	3300	o.r.
1RQ7 503-8KA90-0AA0	6750	950	1220	1920	1320	315	160	240	500	2620	3060	o.r.
1RQ7 503-8KA90-0AC0	6800	950	1220	1920	1320	560	170	240	500	2620	3300	o.r.
1RQ7 507-8KA90-0AA0	7700	950	1220	1920	1500	315	160	240	500	2620	3270	o.r.
1RQ7 507-8KA90-0AC0	7750	950	1220	1920	1500	560	170	240	500	2620	3510	o.r.
1RQ7 507-8KA90-0CA0	7950	950	1220	1920	1500	315	160	240	500	2620	3270	o.r.
1RQ7 507-8KA90-0CC0	8000	950	1220	1920	1500	560	170	240	500	2620	3510	o.r.

Motor type	Weight	Dimensions										
	kg	A mm	AD mm	AE mm	B mm	C mm	D mm	E mm	H mm	HD mm	L mm	ML mm
Innomotics HV M - 1RQ. IC616 11000 V / 50 Hz B3 (IM 1001) - Dimension drawings												
1RQ7 508-8KA90-0AA0	8000	950	1220	1920	1500	315	160	240	500	2620	3270	o.r.
1RQ7 508-8KA90-0AC0	8050	950	1220	1920	1500	560	170	240	500	2620	3510	o.r.
1RQ7 508-8KA90-0CA0	8300	950	1220	1920	1500	315	160	240	500	2620	3270	o.r.
1RQ7 508-8KA90-0CC0	8350	950	1220	1920	1500	560	170	240	500	2620	3510	o.r.
1RQ7 563-8KA90-0CA0	8900	1060	1290	2060	1400	335	190	280	560	2830	3250	o.r.
1RQ7 563-8KA90-0CC0	8950	1060	1290	2060	1400	600	190	280	560	2830	3520	o.r.
1RQ7 564-8KA90-0CA0	9350	1060	1290	2060	1400	335	190	280	560	2830	3250	o.r.
1RQ7 564-8KA90-0CC0	9400	1060	1290	2060	1400	600	190	280	560	2830	3520	o.r.
1RQ7 567-8KA90-0CA0	10300	1060	1290	2060	1600	335	190	280	560	2830	3480	o.r.
1RQ7 567-8KA90-0CC0	10350	1060	1290	2060	1600	600	190	280	560	2830	3750	o.r.
1RQ7 568-8KA90-0CA0	10800	1060	1290	2060	1600	335	190	280	560	2830	3480	o.r.
1RQ7 568-8KA90-0CC0	10850	1060	1290	2060	1600	600	190	280	560	2830	3750	o.r.
1RQ8 634-8KA90-0CG0	11500	1320	1520	2520	1600	375	200	280	630	3700	3920	o.r.
1RQ8 634-8KA90-0CJ0	11600	1320	1520	2520	1600	630	200	280	630	3700	4170	o.r.
1RQ8 637-8KA90-0CG0	12700	1320	1520	2520	1800	375	200	280	630	3700	4120	o.r.
1RQ8 637-8KA90-0CJ0	12800	1320	1520	2520	1800	630	200	280	630	3700	4370	o.r.
1RQ8 638-8KA90-0CG0	13400	1320	1520	2520	1800	375	200	280	630	3700	4120	o.r.
1RQ8 638-8KA90-0CJ0	13500	1320	1520	2520	1800	630	200	280	630	3700	4370	o.r.
1RQ8 712-8KA90-0CG0	14800	1500	1620	2720	2000	375	220	280	710	3090	3920	o.r.
1RQ8 712-8KA90-0CJ0	14950	1500	1620	2720	2000	630	220	280	710	3090	4180	o.r.
1RQ8 713-8KA90-0CG0	15600	1500	1620	2720	2000	375	220	280	710	3090	3920	o.r.
1RQ8 713-8KA90-0CJ0	15800	1500	1620	2720	2000	630	220	280	710	3090	4180	o.r.
1RQ8 714-8KA90-0CG0	16650	1500	1620	2720	2000	375	220	280	710	3090	3920	o.r.
1RQ8 714-8KA90-0CJ0	16850	1500	1620	2720	2000	630	220	280	710	3090	4180	o.r.
1RQ8 717-8KA90-0CG0	18300	1500	1620	2720	2240	375	220	280	710	3090	4160	o.r.
1RQ8 717-8KA90-0CJ0	18500	1500	1620	2720	2240	630	220	280	710	3090	4420	o.r.
1RQ8 718-8KA90-0CG0	19350	1500	1620	2720	2240	375	220	280	710	3090	4160	o.r.
1RQ8 718-8KA90-0CJ0	19500	1500	1620	2720	2240	630	220	280	710	3090	4420	o.r.

Innomotics HV M - 1RQ. IC616 13800 V / 60 Hz B3 (IM 1001)																			
Rated power IEC	Article No.	Speed	Rated current I_R	Efficiency				Power factor				Torque T_R	Breakdown torque T_B/ T_R	Locked rotor torque T_{LR}/ T_R	Locked rotor current I_{LR}/ I_R	Inertia			
				5/4 load	4/4 load	3/4 load	2/4 load	5/4 load	4/4 load	3/4 load	2/4 load					rotor	motor	external	Startup max T/TR
kW		rpm	A	%	%	%	%	$\cos \varphi$	$\cos \varphi$	$\cos \varphi$	$\cos \varphi$	Nm	[-]	[-]	[-]	kgm ²	kgm ²	kgm ²	[-]
2-pole: $n_{sync} = 3600$ rpm at 60 Hz																			
4800	1RQ8 633-2KA20-0CJ0	3587	235	95.7	95.8	94.9	93.1	0.89	0.90	0.90	0.87	12779	2.50	0.65	6.0	82	220		o.r.
5900	1RQ8 637-2KA20-0CJ0	3588	280	96.2	96.2	95.5	93.9	0.90	0.91	0.91	0.88	15703	2.60	0.60	6.0	98	240		o.r.
7400	1RQ8 714-2KA20-0CJ0	3589	355	96.1	95.9	95.2	93.5	0.90	0.91	0.91	0.89	19689	2.40	0.60	6.0	172	170		o.r.
8500	1RQ8 717-2KA20-0CJ0	3589	405	96.3	96.2	95.5	93.9	0.90	0.91	0.91	0.90	22616	2.50	0.55	6.0	200	180		o.r.
4-pole: $n_{sync} = 1800$ rpm at 60 Hz																			
4950	1RQ8 633-4KA20-0C.0	1792	240	96.2	96.3	96.0	94.9	0.89	0.90	0.88	0.84	26378	2.55	0.55	6.0	150	600		o.r.
5700	1RQ8 637-4KA20-0C.0	1792	270	96.4	96.6	96.4	95.4	0.89	0.91	0.90	0.88	30374	2.50	0.60	6.0	182	730		o.r.
7250	1RQ8 713-4KA20-0C.0	1793	345	96.6	96.8	96.6	95.7	0.89	0.91	0.90	0.87	38613	2.60	0.45	6.0	282	680		o.r.
8800	1RQ8 717-4KA20-0C.0	1793	415	96.9	97.0	96.9	96.2	0.90	0.91	0.91	0.88	46868	2.60	0.45	6.0	344	970		o.r.
6-pole: $n_{sync} = 1200$ rpm at 60 Hz																			
4000	1RQ8 633-6KA20-0C.0	1193	198	95.9	96.2	96.1	95.3	0.86	0.88	0.85	0.79	32018	2.40	0.55	5.5	209	1060		o.r.
4850	1RQ8 637-6KA20-0C.0	1193	240	96.3	96.5	96.4	95.6	0.86	0.88	0.85	0.79	38822	2.40	0.55	5.5	246	1560		o.r.
6800	1RQ8 714-6KA20-0C.0	1195	335	96.8	97.0	97.0	96.4	0.87	0.88	0.86	0.81	54339	2.40	0.50	5.5	421	1830		o.r.
7500	1RQ8 717-6KA20-0C.0	1195	365	96.9	97.2	97.1	96.5	0.87	0.88	0.87	0.82	59933	2.40	0.50	5.5	475	2090		o.r.

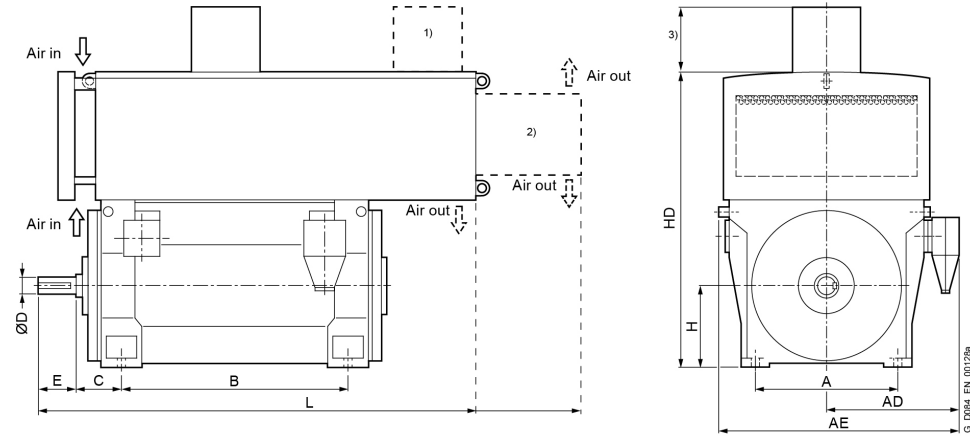
Motor type	Weight	Dimensions										
	kg	A mm	AD mm	AE mm	B mm	C mm	D mm	E mm	H mm	HD mm	L mm	ML mm
Innomotics HV M - 1RQ. IC616 13800 V / 60 Hz B3 (IM 1001) - Dimension drawings												
2-pole												
1RQ8 633-2KA20-0CJ0	10700	1320	1647	2647	1600	560	160	240	630	3840	4060	o.r.
1RQ8 637-2KA20-0CJ0	12100	1320	1647	2647	1800	560	160	240	630	3840	4260	o.r.
1RQ8 714-2KA20-0CJ0	15350	1500	1747	2847	2000	560	180	240	710	3090	4070	o.r.
1RQ8 717-2KA20-0CJ0	17200	1500	1747	2847	2240	560	180	240	710	3090	4310	o.r.
4-pole												
1RQ8 633-4KA20-0CG0	11400	1320	1647	2647	1600	375	200	280	630	3840	3920	o.r.
1RQ8 633-4KA20-0CJ0	11500	1320	1647	2647	1600	630	200	280	630	3840	4170	o.r.
1RQ8 637-4KA20-0CG0	12800	1320	1647	2647	1800	375	200	280	630	3840	4120	o.r.
1RQ8 637-4KA20-0CJ0	12900	1320	1647	2647	1800	630	200	280	630	3840	4370	o.r.
1RQ8 713-4KA20-0CG0	15750	1500	1747	2847	2000	375	220	280	710	3090	3920	o.r.
1RQ8 713-4KA20-0CJ0	15900	1500	1747	2847	2000	630	220	280	710	3090	4180	o.r.
1RQ8 717-4KA20-0CG0	17900	1500	1747	2847	2240	375	220	280	710	3090	4160	o.r.
1RQ8 717-4KA20-0CJ0	18050	1500	1747	2847	2240	630	220	280	710	3090	4420	o.r.
6-pole												
1RQ8 633-6KA20-0CG0	11700	1320	1647	2647	1600	375	200	280	630	3760	3920	o.r.
1RQ8 633-6KA20-0CJ0	11800	1320	1647	2647	1600	630	200	280	630	3760	4170	o.r.
1RQ8 637-6KA20-0CG0	13000	1320	1647	2647	1800	375	200	280	630	3760	4120	o.r.
1RQ8 637-6KA20-0CJ0	13150	1320	1647	2647	1800	630	200	280	630	3760	4370	o.r.
1RQ8 714-6KA20-0CG0	17050	1500	1747	2847	2000	375	220	280	710	3090	3920	o.r.
1RQ8 714-6KA20-0CJ0	17200	1500	1747	2847	2000	630	220	280	710	3090	4180	o.r.
1RQ8 717-6KA20-0CG0	18600	1500	1747	2847	2240	375	220	280	710	3090	4160	o.r.
1RQ8 717-6KA20-0CJ0	18700	1500	1747	2847	2240	630	220	280	710	3090	4420	o.r.

Innomotics HV M - 1RQ. IC666 6000 V / 50 Hz B3 (IM 1001)																		
Rated power IEC	Article No.	Speed	Rated current I_R	Efficiency				Power factor				Torque T_R	Breakdown torque T_B/ T_R	Locked rotor torque T_{LR}/ T_R	Locked rotor current I_{LR}/ I_R	Inertia		
				5/4 load	4/4 load	3/4 load	2/4 load	5/4 load	4/4 load	3/4 load	2/4 load					motor	external	Startup max T/TR
kW		rpm	A	%	%	%	%	cos φ	cos φ	cos φ	cos φ	Nm	[-]	[-]	[-]	kgm ²	kgm ²	[-]
2-pole: $n_{sync} = 3000$ rpm at 50 Hz																		
1410	1RQ7 453-2MA60-0A.2	2978	158	95.5	95.9	96.1	95.5	0.88	0.89	0.88	0.84	4525	2.40	0.55	5.5	10	55	o.r.
1440	1RQ7 453-2MA60-0C.2	2976	162	95.4	96.0	96.2	95.8	0.87	0.89	0.89	0.86	4625	2.15	0.55	4.7	14	135	o.r.
1600	1RQ7 454-2MA60-0A.2	2978	180	95.6	96.0	96.1	95.5	0.88	0.89	0.88	0.83	5133	2.40	0.55	5.5	11	55	o.r.
1600	1RQ7 454-2MA60-0C.2	2978	178	95.6	96.1	96.1	95.5	0.88	0.90	0.89	0.85	5131	2.45	0.60	5.4	15	135	o.r.
1800	1RQ7 457-2MA60-0A.2	2976	200	95.6	96.1	96.4	96.1	0.88	0.90	0.90	0.87	5778	2.40	0.55	5.5	12	55	o.r.
1800	1RQ7 457-2MA60-0C.2	2978	200	95.7	96.2	96.3	95.9	0.90	0.90	0.90	0.87	5774	2.50	0.65	5.5	16	135	o.r.
2000	1RQ7 458-2MA60-0A.2	2976	220	95.9	96.3	96.5	96.1	0.89	0.90	0.90	0.86	6419	2.50	0.60	5.6	13	60	o.r.
2000	1RQ7 458-2MA60-0C.2	2978	220	95.9	96.4	96.6	96.1	0.89	0.90	0.90	0.87	6416	2.50	0.65	5.5	18	140	o.r.
2120	1RQ7 503-2MA60-0A.2	2970	240	95.7	96.2	96.4	96.2	0.88	0.89	0.88	0.84	6817	2.50	0.65	4.9	15	44	o.r.
2200	1RQ7 503-2MA60-0C.2	2975	245	95.9	96.4	96.6	96.3	0.88	0.89	0.89	0.86	7065	2.35	0.65	4.6	20	120	o.r.
2160	1RQ7 504-2MA60-0A.2	2971	240	95.9	96.3	96.5	96.2	0.89	0.90	0.88	0.84	6941	2.65	0.60	5.2	15	52	o.r.
2260	1RQ7 504-2MA60-0C.2	2975	250	96.0	96.4	96.6	96.4	0.89	0.90	0.90	0.85	7255	2.50	0.65	4.8	21	124	o.r.
2510	1RQ7 507-2MA60-0A.2	2973	280	96.2	96.6	96.8	96.5	0.90	0.90	0.89	0.84	8061	2.75	0.75	5.6	18	58	o.r.
2630	1RQ7 507-2MA60-0C.2	2977	290	96.3	96.7	96.9	96.6	0.90	0.91	0.90	0.86	8437	2.60	0.75	5.1	24	128	o.r.
2700	1RQ7 508-2MA60-0A.2	2975	295	96.4	96.8	96.9	96.7	0.91	0.91	0.90	0.85	8664	2.95	0.85	6.1	20	72	o.r.
2840	1RQ7 508-2MA60-0C.2	2979	305	96.5	96.9	97.0	96.8	0.91	0.92	0.91	0.87	9105	2.75	0.85	5.6	27	144	o.r.
3200	1RQ7 562-2MA60-0CC2	2984	350	96.3	96.4	96.3	95.6	0.91	0.91	0.90	0.86	10247	2.55	0.70	5.8	41	260	o.r.
3550	1RQ7 563-2MA60-0CC2	2984	390	96.5	96.6	96.5	95.8	0.90	0.91	0.90	0.86	11367	2.55	0.65	5.7	44	270	o.r.
4000	1RQ7 564-2MA60-0CC2	2983	440	96.4	96.5	96.3	95.6	0.91	0.91	0.91	0.87	12814	2.45	0.65	5.5	47	275	o.r.
4500	1RQ7 567-2MA60-0CC2	2984	485	96.6	96.7	96.5	95.8	0.92	0.92	0.91	0.87	14407	2.60	0.65	5.9	52	275	o.r.
5000	1RQ7 568-2MA60-0CC2	2986	540	96.9	96.8	96.7	95.9	0.92	0.92	0.90	0.86	15993	2.85	0.65	5.9	58	295	o.r.
5600	1RQ8 633-2MA60-0CJ0	2983	630	96.4	96.7	96.4	95.5	0.87	0.89	0.90	0.88	17927	2.20	0.60	5.2	82	250	o.r.
6100	1RQ8 634-2MA60-0CJ0	2983	670	96.5	96.9	96.6	95.8	0.88	0.90	0.90	0.89	19528	2.20	0.60	5.2	90	250	o.r.
6750	1RQ8 637-2MA60-0CJ0	2984	740	96.8	97.1	96.8	96.0	0.89	0.91	0.91	0.90	21601	2.35	0.65	5.5	99	260	o.r.
7300	1RQ8 638-2MA60-0CJ0	2985	790	96.9	97.2	96.9	96.1	0.90	0.91	0.91	0.89	23353	2.50	0.65	5.9	107	270	o.r.
7950	1RQ8 712-2MA60-0CJ0	2986	890	96.6	96.7	96.5	95.6	0.86	0.89	0.89	0.88	25424	2.00	0.55	4.7	149	190	o.r.
8550	1RQ8 713-2MA60-0CJ0	2987	940	96.7	96.9	96.6	95.7	0.87	0.90	0.90	0.88	27334	2.15	0.60	5.1	160	149	o.r.
8800	1RQ8 714-2MA60-0CJ0	2988	970	96.8	96.9	96.6	95.7	0.88	0.90	0.90	0.88	28124	2.25	0.45	5.2	172	240	o.r.
9100	1RQ8 716-2MA60-0CJ0	2985	990	96.8	97.0	96.8	96.1	0.88	0.91	0.92	0.92	29112	2.05	0.55	4.8	186	210	o.r.
10100	1RQ8 717-2MA60-0CJ0	2986	1100	97.0	97.2	97.0	96.4	0.88	0.91	0.92	0.91	32300	2.05	0.55	4.9	201	220	o.r.
11000	1RQ8 718-2MA60-0CJ0	2988	1180	97.3	97.4	97.1	96.4	0.90	0.92	0.91	0.90	35155	2.25	0.50	5.4	217	250	o.r.
4-pole: $n_{sync} = 1500$ rpm at 50 Hz																		
1320	1RQ7 453-4MA60-0A.2	1483	150	95.0	95.7	95.8	95.6	0.87	0.88	0.86	0.80	8504	2.50	0.70	5.7	17	275	o.r.
1400	1RQ7 453-4MA60-0C.2	1486	160	95.2	95.8	96.0	95.8	0.87	0.88	0.87	0.82	9008	2.25	0.50	5.0	23	500	o.r.
1430	1RQ7 454-4MA60-0A.0	1484	166	95.1	95.7	95.9	95.6	0.87	0.87	0.83	0.74	9206	2.70	0.85	5.9	19	325	o.r.
1600	1RQ7 454-4MA60-0C.2	1486	182	95.4	96.0	96.2	95.9	0.87	0.88	0.86	0.80	10288	2.35	0.50	5.0	26	535	o.r.

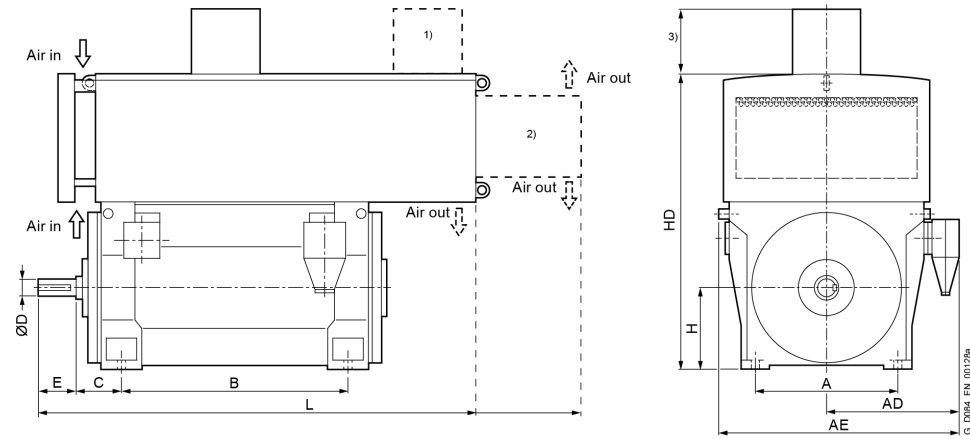
Innomotics HV M - 1RQ. IC666 6000 V / 50 Hz B3 (IM 1001)																		
Rated power IEC	Article No.	Speed	Rated current I_R	Efficiency				Power factor				Torque T_R	Breakdown torque T_B/ T_R	Locked rotor torque T_{LR}/ T_R	Locked rotor current I_{LR}/ I_R	Inertia		
				5/4 load	4/4 load	3/4 load	2/4 load	5/4 load	4/4 load	3/4 load	2/4 load					motor	external	Startup max T/TR
kW		rpm	A	%	%	%	%	cos φ	cos φ	cos φ	cos φ	Nm	[-]	[-]	[-]	kgm ²	kgm ²	[-]
1800	1RQ7 457-4MA60-0C.2	1488	205	95.9	96.3	96.4	96.1	0.88	0.88	0.86	0.79	11554	2.65	0.60	6.0	30	690	o.r.
1660	1RQ7 457-4MA60-0A.2	1484	184	95.5	96.1	96.3	96.1	0.89	0.90	0.88	0.83	10686	2.65	0.80	5.8	22	375	o.r.
2000	1RQ7 458-4MA60-0C.2	1489	225	96.0	96.4	96.5	96.2	0.88	0.88	0.86	0.78	12833	2.75	0.60	6.0	33	730	o.r.
1800	1RQ7 458-4MA60-0A.2	1485	200	95.7	96.2	96.4	96.2	0.89	0.90	0.88	0.83	11581	2.75	0.85	6.0	24	410	o.r.
2170	1RQ7 503-4MA60-0C.2	1488	245	96.0	96.4	96.6	96.2	0.89	0.89	0.87	0.82	13931	2.55	0.65	5.2	45	690	o.r.
2100	1RQ7 503-4MA60-0A.2	1485	235	95.7	96.3	96.6	96.3	0.88	0.90	0.89	0.85	13517	2.30	0.80	5.1	37	560	o.r.
2370	1RQ7 504-4MA60-0C.2	1489	260	96.2	96.6	96.7	96.3	0.89	0.90	0.87	0.82	15207	2.60	0.70	5.5	50	735	o.r.
2240	1RQ7 504-4MA60-0A.2	1485	250	95.8	96.4	96.7	96.4	0.89	0.90	0.89	0.86	14412	2.40	0.90	5.4	40	605	o.r.
2650	1RQ7 507-4MA60-0C.2	1490	295	96.4	96.7	96.9	96.4	0.89	0.90	0.87	0.82	16997	2.60	0.70	5.5	56	825	o.r.
2470	1RQ7 507-4MA60-0A.2	1485	270	96.0	96.5	96.8	96.6	0.89	0.91	0.90	0.87	15890	2.50	0.95	5.6	46	675	o.r.
2880	1RQ7 508-4MA60-0C.2	1491	320	96.5	96.8	96.9	96.5	0.89	0.89	0.87	0.81	18460	2.90	0.75	6.0	62	865	o.r.
2700	1RQ7 508-4MA60-0A.2	1488	300	96.2	96.7	97.0	96.8	0.89	0.90	0.90	0.87	17368	2.45	0.90	5.6	50	795	o.r.
3150	1RQ7 563-4MA60-0C.2	1491	355	96.6	96.9	97.1	96.8	0.88	0.88	0.87	0.83	20188	2.35	0.65	5.6	80	680	o.r.
3600	1RQ7 564-4MA60-0C.2	1490	401	96.6	97.0	97.2	97.0	0.88	0.89	0.89	0.86	23090	2.20	0.60	5.2	90	780	o.r.
4100	1RQ7 566-4MA60-0C.2	1490	451	96.7	97.1	97.3	97.2	0.88	0.90	0.90	0.87	26297	2.20	0.70	5.3	100	780	o.r.
4650	1RQ7 567-4MA60-0C.2	1491	517	97.0	97.2	97.4	97.2	0.88	0.89	0.88	0.84	29796	2.40	0.65	5.7	109	860	o.r.
5000	1RQ7 568-4MA60-0C.2	1492	556	97.1	97.3	97.5	97.1	0.89	0.89	0.87	0.81	32005	2.70	0.80	6.5	119	830	o.r.
5500	1RQ8 633-4MA60-0C.0	1491	610	96.6	97.0	96.9	96.4	0.88	0.89	0.88	0.84	35225	2.40	0.60	5.7	151	660	o.r.
5850	1RQ8 634-4MA60-0C.0	1491	640	96.7	97.0	97.0	96.5	0.88	0.90	0.89	0.85	37467	2.40	0.60	5.8	166	760	o.r.
6550	1RQ8 637-4MA60-0C.0	1492	720	96.9	97.2	97.1	96.6	0.89	0.90	0.88	0.84	41922	2.50	0.60	6.0	181	820	o.r.
7250	1RQ8 638-4MA60-0C.0	1492	810	97.0	97.3	97.2	96.7	0.88	0.89	0.87	0.81	46402	2.55	0.60	6.0	197	910	o.r.
7950	1RQ8 712-4MA60-0C.0	1492	880	97.0	97.3	97.3	96.8	0.88	0.89	0.88	0.84	50883	2.35	0.50	5.5	258	830	o.r.
8450	1RQ8 713-4MA60-0C.0	1492	940	97.2	97.4	97.4	96.9	0.89	0.89	0.88	0.84	54083	2.50	0.50	5.8	282	930	o.r.
9150	1RQ8 714-4MA60-0C.0	1493	1000	97.3	97.5	97.5	97.1	0.89	0.90	0.89	0.85	58524	2.60	0.55	6.0	310	1040	o.r.
10100	1RQ8 717-4MA60-0C.0	1493	1100	97.4	97.6	97.6	97.2	0.89	0.90	0.89	0.85	64600	2.60	0.55	6.0	344	1140	o.r.
10350	1RQ8 718-4MA60-0C.0	1492	1120	97.3	97.6	97.7	97.3	0.90	0.91	0.91	0.89	66243	2.55	0.55	6.0	365	1170	o.r.
6-pole: n_{sync} = 1000 rpm at 50 Hz																		
1080	1RQ7 453-6MA60-0A.2	989	128	94.7	95.5	95.8	95.6	0.85	0.85	0.82	0.74	10435	2.20	0.80	5.1	22	845	o.r.
1100	1RQ7 453-6MA60-0C.0	989	130	94.6	95.4	95.8	95.7	0.85	0.86	0.84	0.77	10628	2.25	0.65	5.0	30	1030	o.r.
1230	1RQ7 454-6MA60-0C.2	989	146	94.9	95.6	95.9	95.8	0.85	0.85	0.83	0.75	11883	2.30	0.65	5.0	33	1300	o.r.
1120	1RQ7 454-6MA60-0A.2	990	132	94.8	95.6	95.9	95.8	0.85	0.86	0.83	0.75	10816	2.40	0.85	5.5	24	875	o.r.
1320	1RQ7 457-6MA60-0A.0	990	156	95.0	95.7	96.0	95.9	0.85	0.85	0.82	0.74	12747	2.40	0.80	5.3	28	1130	o.r.
1350	1RQ7 457-6MA60-0C.0	989	158	95.0	95.7	96.0	96.0	0.85	0.86	0.84	0.77	13034	2.35	0.65	5.1	36	1365	o.r.
1420	1RQ7 458-6MA60-0A.2	991	166	95.3	95.9	96.2	96.0	0.86	0.86	0.82	0.73	13697	2.55	0.90	5.8	31	1250	o.r.
1450	1RQ7 458-6MA60-0C.2	990	168	95.3	96.0	96.2	96.1	0.86	0.87	0.84	0.77	13990	2.50	0.70	5.3	41	1470	o.r.
1880	1RQ7 503-6MA60-0C.2	992	210	95.8	96.3	96.5	96.3	0.84	0.86	0.82	0.74	18109	2.35	0.75	4.7	60	1740	o.r.
1860	1RQ7 503-6MA60-0A.2	990	210	95.4	96.1	96.5	96.5	0.84	0.86	0.84	0.78	17956	2.15	0.85	4.6	46	1560	o.r.

Innomotics HV M - 1RQ. IC666 6000 V / 50 Hz B3 (IM 1001)																		
Rated power IEC	Article No.	Speed	Rated current I_R	Efficiency				Power factor				Torque T_R	Breakdown torque T_B/ T_R	Locked rotor torque T_{LR}/ T_R	Locked rotor current I_{LR}/ I_R	Inertia		
				5/4 load	4/4 load	3/4 load	2/4 load	5/4 load	4/4 load	3/4 load	2/4 load					motor	external	Startup max T/TR
kW		rpm	A	%	%	%	%	$\cos \varphi$	$\cos \varphi$	$\cos \varphi$	$\cos \varphi$	Nm	[-]	[-]	[-]	kgm ²	kgm ²	[-]
1960	1RQ7 504-6MA60-0A.2	990	230	95.7	96.3	96.6	96.5	0.85	0.86	0.84	0.77	18901	2.35	0.90	5.0	51	1890	o.r.
2000	1RQ7 504-6MA60-0C.2	992	230	95.9	96.4	96.7	96.5	0.85	0.86	0.84	0.77	19263	2.40	0.85	4.9	66	2070	o.r.
2280	1RQ7 507-6MA60-0C.2	992	260	96.1	96.6	96.8	96.7	0.85	0.86	0.84	0.77	21960	2.35	0.75	4.8	74	2440	o.r.
2000	1RQ7 507-6MA60-0A.2	990	230	95.6	96.2	96.7	96.7	0.86	0.86	0.87	0.82	19302	2.15	0.90	4.7	58	1800	o.r.
2310	1RQ7 508-6MA60-0C.2	992	265	96.1	96.7	96.9	96.8	0.86	0.86	0.86	0.80	22248	2.30	0.80	4.7	80	2270	o.r.
2260	1RQ7 508-6MA60-0A.2	990	255	95.9	96.4	96.9	96.8	0.86	0.86	0.86	0.82	21803	2.25	0.90	4.9	63	2240	o.r.
2500	1RQ7 561-6MA60-0C.2	992	290	95.8	96.3	96.6	96.5	0.85	0.86	0.85	0.81	24089	1.90	0.60	5.5	97	2025	o.r.
2700	1RQ7 562-6MA60-0C.2	992	315	96.0	96.4	96.7	96.7	0.85	0.86	0.85	0.82	26010	2.00	0.60	5.5	105	2245	o.r.
2900	1RQ7 563-6MA60-0C.2	992	335	96.0	96.6	96.7	96.5	0.85	0.86	0.85	0.81	27928	2.00	0.60	5.5	113	2540	o.r.
3250	1RQ7 564-6MA60-0C.2	992	375	96.1	96.6	96.8	96.6	0.85	0.86	0.86	0.81	31299	2.00	0.60	5.5	124	2485	o.r.
3450	1RQ7 567-6MA60-0C.2	993	400	96.3	96.7	96.9	96.7	0.86	0.86	0.86	0.81	33189	2.00	0.60	5.5	137	2885	o.r.
3800	1RQ7 568-6MA60-0C.2	993	440	96.6	96.9	97.0	96.8	0.86	0.86	0.85	0.80	36543	2.00	0.60	6.0	151	3430	o.r.
4200	1RQ8 632-6MA60-0C.0	992	485	96.2	96.6	96.7	96.2	0.85	0.86	0.83	0.76	40430	2.25	0.55	5.1	193	2140	o.r.
4400	1RQ8 633-6MA60-0C.0	992	500	96.2	96.7	96.8	96.4	0.85	0.87	0.85	0.80	42356	2.20	0.60	5.1	209	2370	o.r.
4850	1RQ8 634-6MA60-0C.0	993	560	96.5	96.8	96.9	96.3	0.85	0.86	0.82	0.74	46641	2.40	0.60	5.4	227	2640	o.r.
5150	1RQ8 637-6MA60-0C.0	993	590	96.6	96.9	96.9	96.4	0.86	0.87	0.83	0.76	49526	2.50	0.60	5.5	247	2930	o.r.
5400	1RQ8 638-6MA60-0C.0	993	620	96.7	97.0	97.0	96.5	0.86	0.87	0.83	0.75	51930	2.50	0.60	5.5	264	3300	o.r.
6150	1RQ8 712-6MA60-0C.0	993	700	96.8	97.2	97.3	96.9	0.85	0.87	0.85	0.79	59142	2.25	0.55	5.3	331	2520	o.r.
6700	1RQ8 713-6MA60-0C.0	994	760	96.9	97.3	97.4	97.0	0.86	0.87	0.86	0.80	64366	2.30	0.55	5.4	373	2990	o.r.
7350	1RQ8 714-6MA60-0C.0	995	840	97.1	97.4	97.4	96.9	0.85	0.86	0.83	0.74	70540	2.40	0.50	5.5	420	3730	o.r.
8150	1RQ8 717-6MA60-0C.0	995	940	97.2	97.5	97.5	97.0	0.85	0.86	0.83	0.75	78218	2.45	0.50	5.5	474	4310	o.r.
8650	1RQ8 718-6MA60-0C.0	995	960	97.2	97.6	97.7	97.4	0.88	0.89	0.87	0.83	83016	2.45	0.60	5.5	524	4370	o.r.
8-pole: $n_{sync} = 750$ rpm at 50 Hz																		
740	1RQ7 452-8MA60-0A.0	739	93	93.8	94.9	95.4	95.3	0.79	0.81	0.78	0.70	9562	1.80	0.60	4.2	25	1710	o.r.
840	1RQ7 453-8MA60-0A.0	739	104	94.0	95.1	95.5	95.5	0.80	0.81	0.78	0.70	10852	1.80	0.55	4.1	28	2070	o.r.
910	1RQ7 454-8MA60-0A.2	740	114	94.4	95.3	95.6	95.4	0.81	0.81	0.77	0.68	11739	2.00	0.65	4.5	31	2310	o.r.
1010	1RQ7 457-8MA60-0A.2	741	128	94.8	95.5	95.6	95.3	0.81	0.80	0.75	0.63	13015	2.20	0.70	4.8	35	2700	o.r.
1120	1RQ7 458-8MA60-0A.2	741	140	94.7	95.5	95.7	95.5	0.81	0.81	0.76	0.65	14441	2.10	0.70	4.8	39	2750	o.r.
1250	1RQ7 502-8MA60-0A.2	743	154	95.3	95.9	96.2	96.1	0.81	0.81	0.78	0.70	16082	2.15	0.85	4.3	46	2580	o.r.
1400	1RQ7 503-8MA60-0A.2	742	172	95.3	96.0	96.4	96.4	0.82	0.82	0.79	0.73	18011	2.05	0.80	4.2	51	2660	o.r.
1400	1RQ7 503-8MA60-0C.2	742	170	95.3	96.0	96.4	96.4	0.82	0.83	0.80	0.74	18021	2.10	0.55	4.0	65	3440	o.r.
1500	1RQ7 504-8MA60-0A.2	743	180	95.5	96.1	96.5	96.5	0.81	0.83	0.81	0.74	19295	2.10	0.80	4.3	56	2900	o.r.
1520	1RQ7 504-8MA60-0C.2	742	184	95.4	96.1	96.5	96.6	0.81	0.83	0.82	0.74	19567	2.10	0.55	4.0	72	4010	o.r.
1600	1RQ7 507-8MA60-0A.2	744	194	95.8	96.3	96.5	96.3	0.83	0.82	0.79	0.69	20560	2.35	0.95	4.8	63	3560	o.r.
1600	1RQ7 507-8MA60-0C.2	743	192	95.8	96.3	96.5	96.4	0.83	0.83	0.79	0.71	20564	2.40	0.70	4.6	80	4900	o.r.
1800	1RQ7 508-8MA60-0A.2	743	215	95.8	96.4	96.7	96.7	0.83	0.83	0.81	0.74	23162	2.15	0.85	4.4	69	3520	o.r.
1800	1RQ7 508-8MA60-0C.2	743	215	95.8	96.4	96.7	96.8	0.83	0.84	0.81	0.74	23164	2.25	0.60	4.3	88	5270	o.r.

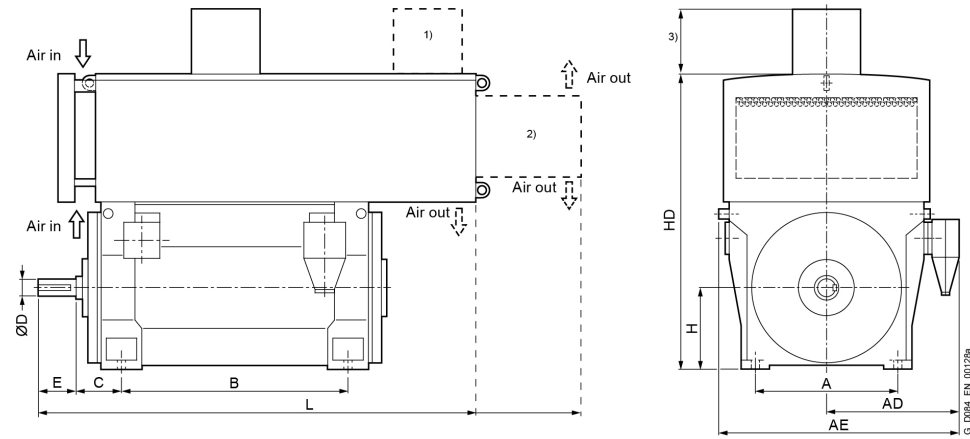
Innomotics HV M - 1RQ. IC666 6000 V / 50 Hz B3 (IM 1001)																		
Rated power IEC	Article No.	Speed	Rated current I_R	Efficiency				Power factor				Torque T_R	Breakdown torque T_B/ T_R	Locked torque T_{LR}/ T_R	rotor Locked current I_{LR}/ I_R	Inertia		Startup max T/TR
				5/4 load	4/4 load	3/4 load	2/4 load	5/4 load	4/4 load	3/4 load	2/4 load					motor	external	
kW		rpm	A	%	%	%	%	$\cos \varphi$	$\cos \varphi$	$\cos \varphi$	$\cos \varphi$	Nm	[-]	[-]	[-]	kgm ²	kgm ²	[-]
2050	1RQ7 563-8MA60-OC.2	744	245	95.8	96.3	96.6	96.4	0.83	0.83	0.80	0.73	26327	2.25	0.65	4.9	124	3105	o.r.
2240	1RQ7 564-8MA60-OC.2	744	270	96.0	96.5	96.7	96.4	0.83	0.83	0.80	0.72	28750	2.35	0.65	5.2	137	3690	o.r.
2500	1RQ7 567-8MA60-OC.2	744	295	96.1	96.6	96.9	96.6	0.83	0.84	0.81	0.74	32106	2.25	0.60	5.0	150	4895	o.r.
2800	1RQ7 568-8MA60-OC.2	745	335	96.4	96.8	96.9	96.6	0.83	0.83	0.79	0.71	35921	2.45	0.70	5.4	165	6355	o.r.
2900	1RQ8 633-8MA60-OC.0	743	340	95.5	96.1	96.2	95.9	0.84	0.85	0.82	0.74	37272	2.05	0.45	4.4	216	3890	o.r.
3550	1RQ8 634-8MA60-OC.0	744	415	95.6	96.2	96.2	95.9	0.85	0.86	0.82	0.74	45565	2.20	0.50	4.8	251	3530	o.r.
3850	1RQ8 637-8MA60-OC.0	744	450	96.1	96.4	96.4	95.9	0.85	0.85	0.80	0.70	49415	2.25	0.50	4.8	291	6660	o.r.
4100	1RQ8 638-8MA60-OC.0	744	480	96.2	96.6	96.5	96.0	0.85	0.85	0.81	0.72	52624	2.25	0.50	4.9	324	7800	o.r.
4300	1RQ8 712-8MA60-OC.0	745	455	96.3	96.7	96.8	96.4	0.87	0.87	0.84	0.77	55117	2.35	0.60	5.0	422	6050	o.r.
4600	1RQ8 713-8MA60-OC.0	745	510	96.4	96.8	96.8	96.3	0.87	0.87	0.83	0.74	58962	2.50	0.55	5.3	472	5800	o.r.
5200	1RQ8 714-8MA60-OC.0	745	570	96.6	96.9	96.9	96.5	0.87	0.87	0.83	0.75	66653	2.45	0.55	5.3	540	6300	o.r.
5800	1RQ8 717-8MA60-OC.0	745	630	96.7	97.1	97.1	96.8	0.87	0.88	0.85	0.78	74344	2.40	0.60	5.2	618	8230	o.r.
6150	1RQ8 718-8MA60-OC.0	745	690	96.8	97.1	97.2	96.9	0.88	0.88	0.85	0.79	78830	2.45	0.65	5.4	682	8470	o.r.



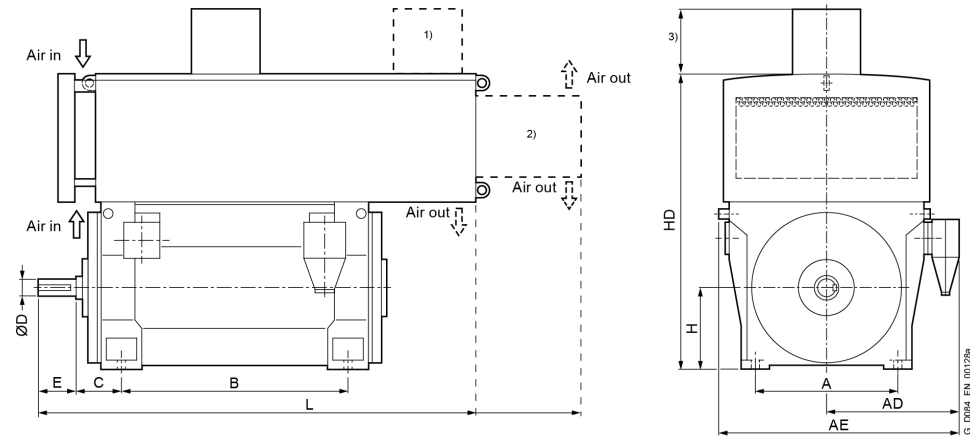
Motor type	Weight	Dimensions										
		A	AD	AE	B	C	D	E	H	HD	L	ML
	kg	mm	mm	mm	mm	mm	mm	mm	mm	mm	mm	mm
Innomotics HV M - 1RQ. IC666 6000 V / 50 Hz B3 (IM 1001) - Dimension drawings												
2-pole												
1RQ7 453-2MA60-0AA2	5100	850	925	1545	1180	250	95	130	450	3160	2640	o.r.
1RQ7 453-2MA60-0AC2	5000	850	925	1545	1180	475	95	130	450	3160	2870	o.r.
1RQ7 453-2MA60-0CA2	5200	850	925	1545	1180	250	95	130	450	3160	2640	o.r.
1RQ7 453-2MA60-0CC2	5150	850	925	1545	1180	475	95	130	450	3160	2870	o.r.
1RQ7 454-2MA60-0AA2	5200	850	925	1545	1180	250	95	130	450	3160	2640	o.r.
1RQ7 454-2MA60-0AC2	5100	850	925	1545	1180	475	95	130	450	3160	2870	o.r.
1RQ7 454-2MA60-0CA2	5350	850	925	1545	1180	250	95	130	450	3160	2640	o.r.
1RQ7 454-2MA60-0CC2	5250	850	925	1545	1180	475	95	130	450	3160	2870	o.r.
1RQ7 457-2MA60-0AA2	5500	850	925	1545	1400	250	95	130	450	3160	2850	o.r.
1RQ7 457-2MA60-0AC2	5400	850	925	1545	1400	475	95	130	450	3160	3080	o.r.
1RQ7 457-2MA60-0CA2	5650	850	925	1545	1400	250	95	130	450	3160	2850	o.r.
1RQ7 457-2MA60-0CC2	5550	850	925	1545	1400	475	95	130	450	3160	3080	o.r.
1RQ7 458-2MA60-0AA2	5750	850	925	1545	1400	250	95	130	450	3160	2850	o.r.
1RQ7 458-2MA60-0AC2	5650	850	925	1545	1400	475	95	130	450	3160	3080	o.r.
1RQ7 458-2MA60-0CA2	5900	850	925	1545	1400	250	95	130	450	3160	2850	o.r.
1RQ7 458-2MA60-0CC2	5800	850	925	1545	1400	475	95	130	450	3160	3080	o.r.
1RQ7 503-2MA60-0AA2	6900	950	1005	1705	1320	250	110	165	500	3370	2920	o.r.
1RQ7 503-2MA60-0AC2	6850	950	1005	1705	1320	530	120	165	500	3370	3200	o.r.
1RQ7 503-2MA60-0CA2	7050	950	1005	1705	1320	250	110	165	500	3370	2920	o.r.
1RQ7 503-2MA60-0CC2	7000	950	1005	1705	1320	530	120	165	500	3370	3200	o.r.
1RQ7 504-2MA60-0AA2	6950	950	1005	1705	1320	250	110	165	500	3370	2920	o.r.
1RQ7 504-2MA60-0AC2	6900	950	1005	1705	1320	530	120	165	500	3370	3200	o.r.



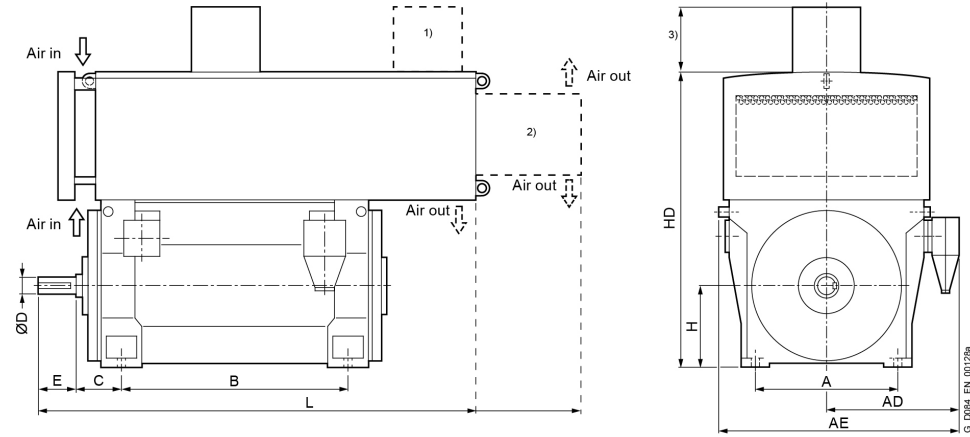
Motor type	Weight	Dimensions										
		A	AD	AE	B	C	D	E	H	HD	L	ML
	kg	mm	mm	mm	mm	mm	mm	mm	mm	mm	mm	mm
Innomotics HV M - 1RQ. IC666 6000 V / 50 Hz B3 (IM 1001) - Dimension drawings												
1RQ7 504-2MA60-OCA2	7100	950	1005	1705	1320	250	110	165	500	3370	2920	o.r.
1RQ7 504-2MA60-OCC2	7050	950	1005	1705	1320	530	120	165	500	3370	3200	o.r.
1RQ7 507-2MA60-OAA2	7700	950	1005	1705	1500	250	110	165	500	3370	3130	o.r.
1RQ7 507-2MA60-OAC2	7650	950	1005	1705	1500	530	120	165	500	3370	3410	o.r.
1RQ7 507-2MA60-OCA2	7850	950	1005	1705	1500	250	110	165	500	3370	3130	o.r.
1RQ7 507-2MA60-OCC2	7800	950	1005	1705	1500	530	120	165	500	3370	3410	o.r.
1RQ7 508-2MA60-OAA2	8000	950	1005	1705	1500	250	110	165	500	3370	3130	o.r.
1RQ7 508-2MA60-OAC2	7950	950	1005	1705	1500	530	120	165	500	3370	3410	o.r.
1RQ7 508-2MA60-OCA2	8200	950	1005	1705	1500	250	110	165	500	3370	3130	o.r.
1RQ7 508-2MA60-OCC2	8100	950	1005	1705	1500	530	120	165	500	3370	3410	o.r.
1RQ7 562-2MA60-OCC2	8700	1060	1290	2060	1400	600	150	200	560	3650	3440	o.r.
1RQ7 563-2MA60-OCC2	9000	1060	1290	2060	1400	600	150	200	560	3650	3440	o.r.
1RQ7 564-2MA60-OCC2	9250	1060	1290	2060	1400	600	150	200	560	3650	3440	o.r.
1RQ7 567-2MA60-OCC2	10150	1060	1290	2060	1600	600	150	200	560	3650	3670	o.r.
1RQ7 568-2MA60-OCC2	10750	1060	1290	2060	1600	600	150	200	560	3650	3670	o.r.
1RQ8 633-2MA60-OCJ0	11350	1320	1520	2520	1600	560	160	240	630	3210	4060	o.r.
1RQ8 634-2MA60-OCJ0	11900	1320	1520	2520	1600	560	160	240	630	3210	4060	o.r.
1RQ8 637-2MA60-OCJ0	12800	1320	1520	2520	1800	560	160	240	630	3210	4260	o.r.
1RQ8 638-2MA60-OCJ0	13400	1320	1520	2520	1800	560	160	240	630	3210	4260	o.r.
1RQ8 712-2MA60-OCJ0	14750	1500	1620	2720	2000	560	180	240	710	4240	4070	o.r.
1RQ8 713-2MA60-OCJ0	15350	1500	1620	2720	2000	560	180	240	710	4240	4070	o.r.
1RQ8 714-2MA60-OCJ0	15950	1500	1620	2720	2000	560	180	240	710	4240	4070	o.r.
1RQ8 716-2MA60-OCJ0	17150	1500	1620	2720	2240	560	180	240	710	4240	4310	o.r.



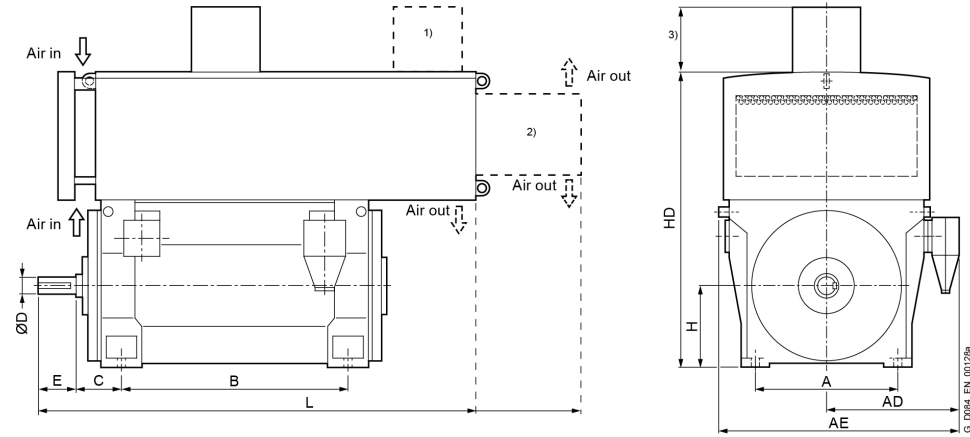
Motor type	Weight	Dimensions											
		A	AD	AE	B	C	D	E	H	HD	L	ML	
	kg	mm	mm	mm	mm	mm	mm	mm	mm	mm	mm	mm	
Innomotics HV M - 1RQ. IC666 6000 V / 50 Hz B3 (IM 1001) - Dimension drawings													
1RQ8 717-2MA60-0CJ0	18050	1500	1620	2720	2240	560	180	240	710	4240	4310	o.r.	
1RQ8 718-2MA60-0CJ0	19050	1500	1620	2720	2240	560	180	240	710	4240	4310	o.r.	
4-pole													
1RQ7 453-4MA60-0AA2	5050	850	925	1545	1180	250	130	200	450	3160	2710	o.r.	
1RQ7 453-4MA60-0AC2	5100	850	925	1545	1180	500	130	200	450	3160	2960	o.r.	
1RQ7 453-4MA60-0CA2	5200	850	925	1545	1180	250	130	200	450	3160	2710	o.r.	
1RQ7 453-4MA60-0CC2	5250	850	925	1545	1180	500	130	200	450	3160	2960	o.r.	
1RQ7 454-4MA60-0AA0	5200	850	925	1545	1180	250	130	200	450	3160	2710	o.r.	
1RQ7 454-4MA60-0AC0	5250	850	925	1545	1180	500	130	200	450	3160	2960	o.r.	
1RQ7 454-4MA60-0CA2	5400	850	925	1545	1180	250	130	200	450	3160	2710	o.r.	
1RQ7 454-4MA60-0CC2	5450	850	925	1545	1180	500	130	200	450	3160	2960	o.r.	
1RQ7 457-4MA60-0CA2	6050	850	925	1545	1400	250	130	200	450	3160	2920	o.r.	
1RQ7 457-4MA60-0CC2	6050	850	925	1545	1400	500	130	200	450	3160	3170	o.r.	
1RQ7 457-4MA60-0AA2	5800	850	925	1545	1400	250	130	200	450	3160	2920	o.r.	
1RQ7 457-4MA60-0AC2	5850	850	925	1545	1400	500	130	200	450	3160	3170	o.r.	
1RQ7 458-4MA60-0CA2	6250	850	925	1545	1400	250	130	200	450	3160	2920	o.r.	
1RQ7 458-4MA60-0CC2	6300	850	925	1545	1400	500	130	200	450	3160	3170	o.r.	
1RQ7 458-4MA60-0AA2	6050	850	925	1545	1400	250	130	200	450	3160	2920	o.r.	
1RQ7 458-4MA60-0AC2	6050	850	925	1545	1400	500	130	200	450	3160	3170	o.r.	
1RQ7 503-4MA60-0CA2	7300	950	1005	1705	1320	315	160	240	500	3370	3060	o.r.	
1RQ7 503-4MA60-0CC2	7350	950	1005	1705	1320	560	170	240	500	3370	3300	o.r.	
1RQ7 503-4MA60-0AA2	7150	950	1005	1705	1320	315	160	240	500	3370	3060	o.r.	
1RQ7 503-4MA60-0AC2	7200	950	1005	1705	1320	560	170	240	500	3370	3300	o.r.	



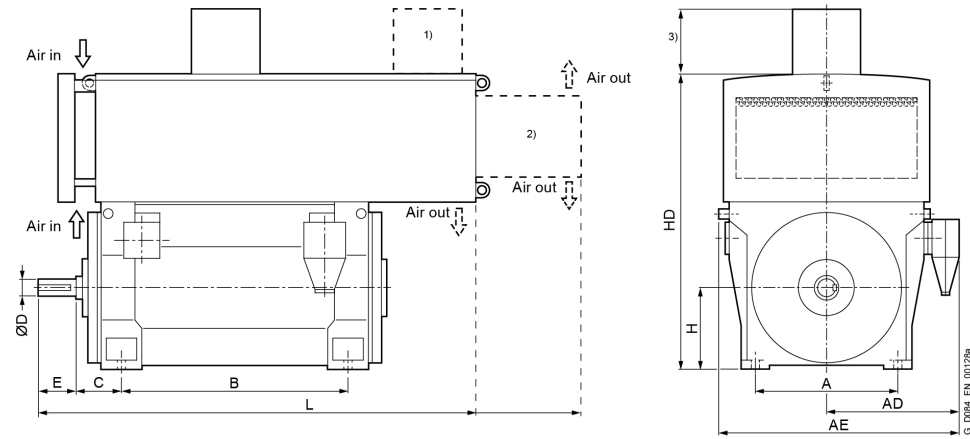
Motor type	Weight	Dimensions										
		A	AD	AE	B	C	D	E	H	HD	L	ML
	kg	mm	mm	mm	mm	mm	mm	mm	mm	mm	mm	mm
Innomotics HV M - 1RQ. IC666 6000 V / 50 Hz B3 (IM 1001) - Dimension drawings												
1RQ7 504-4MA60-OCA2	7550	950	1005	1705	1320	315	160	240	500	3370	3060	o.r.
1RQ7 504-4MA60-OCC2	7650	950	1005	1705	1320	560	170	240	500	3370	3300	o.r.
1RQ7 504-4MA60-OAA2	7400	950	1005	1705	1320	315	160	240	500	3370	3060	o.r.
1RQ7 504-4MA60-OAC2	7450	950	1005	1705	1320	560	170	240	500	3370	3300	o.r.
1RQ7 507-4MA60-OCA2	8300	950	1005	1705	1500	315	160	240	500	3370	3270	o.r.
1RQ7 507-4MA60-OCC2	8350	950	1005	1705	1500	560	170	240	500	3370	3510	o.r.
1RQ7 507-4MA60-OAA2	8100	950	1005	1705	1500	315	160	240	500	3370	3270	o.r.
1RQ7 507-4MA60-OAC2	8150	950	1005	1705	1500	560	170	240	500	3370	3510	o.r.
1RQ7 508-4MA60-OCA2	8650	950	1005	1705	1500	315	160	240	500	3370	3270	o.r.
1RQ7 508-4MA60-OCC2	8750	950	1005	1705	1500	560	170	240	500	3370	3510	o.r.
1RQ7 508-4MA60-OAA2	8450	950	1005	1705	1500	315	160	240	500	3370	3270	o.r.
1RQ7 508-4MA60-OAC2	8550	950	1005	1705	1500	560	170	240	500	3370	3510	o.r.
1RQ7 563-4MA60-OCA2	9050	1060	1290	2060	1400	335	190	280	560	3650	3250	o.r.
1RQ7 563-4MA60-OCC2	9100	1060	1290	2060	1400	600	190	280	560	3650	3520	o.r.
1RQ7 564-4MA60-OCA2	9500	1060	1290	2060	1400	335	190	280	560	3650	3250	o.r.
1RQ7 564-4MA60-OCC2	9600	1060	1290	2060	1400	600	190	280	560	3650	3520	o.r.
1RQ7 566-4MA60-OCA2	10400	1060	1290	2060	1600	335	190	280	560	3650	3480	o.r.
1RQ7 566-4MA60-OCC2	10450	1060	1290	2060	1600	600	190	280	560	3650	3750	o.r.
1RQ7 567-4MA60-OCA2	10900	1060	1290	2060	1600	335	190	280	560	3650	3480	o.r.
1RQ7 567-4MA60-OCC2	10950	1060	1290	2060	1600	600	190	280	560	3650	3750	o.r.
1RQ7 568-4MA60-OCA2	11300	1060	1290	2060	1600	335	190	280	560	3650	3480	o.r.
1RQ7 568-4MA60-OCC2	11400	1060	1290	2060	1600	600	190	280	560	3650	3750	o.r.
1RQ8 633-4MA60-OCG0	12050	1320	1520	2520	1600	375	200	280	630	3210	3920	o.r.



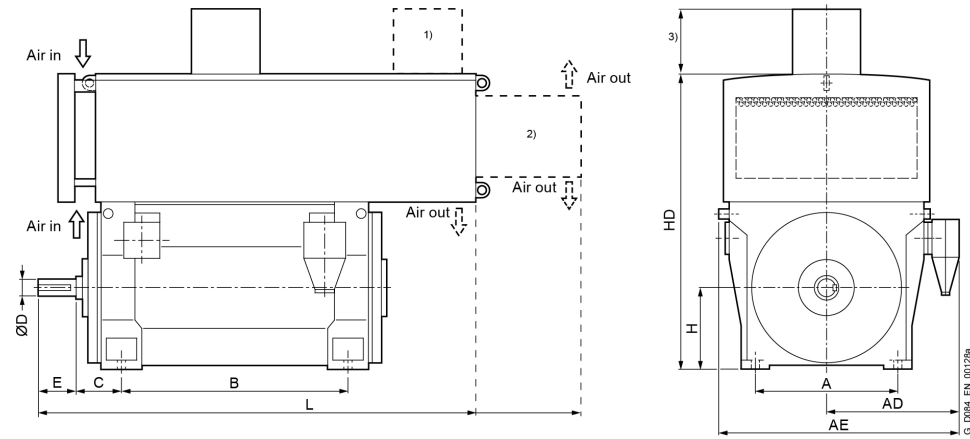
Motor type	Weight kg	Dimensions										
		A mm	AD mm	AE mm	B mm	C mm	D mm	E mm	H mm	HD mm	L mm	ML mm
Innomotics HV M - 1RQ. IC666 6000 V / 50 Hz B3 (IM 1001) - Dimension drawings												
1RQ8 633-4MA60-0CJ0	12150	1320	1520	2520	1600	630	200	280	630	3210	4170	o.r.
1RQ8 634-4MA60-0CG0	12450	1320	1520	2520	1600	375	200	280	630	3210	3920	o.r.
1RQ8 634-4MA60-0CJ0	12550	1320	1520	2520	1600	630	200	280	630	3210	4170	o.r.
1RQ8 637-4MA60-0CG0	13400	1320	1520	2520	1800	375	200	280	630	3210	4120	o.r.
1RQ8 637-4MA60-0CJ0	13500	1320	1520	2520	1800	630	200	280	630	3210	4370	o.r.
1RQ8 638-4MA60-0CG0	14100	1320	1520	2520	1800	375	200	280	630	3210	4120	o.r.
1RQ8 638-4MA60-0CJ0	14200	1320	1520	2520	1800	630	200	280	630	3210	4370	o.r.
1RQ8 712-4MA60-0CG0	15850	1500	1620	2720	2000	375	220	280	710	4240	3920	o.r.
1RQ8 712-4MA60-0CJ0	16000	1500	1620	2720	2000	630	220	280	710	4240	4180	o.r.
1RQ8 713-4MA60-0CG0	16550	1500	1620	2720	2000	375	220	280	710	4240	3920	o.r.
1RQ8 713-4MA60-0CJ0	16650	1500	1620	2720	2000	630	220	280	710	4240	4180	o.r.
1RQ8 714-4MA60-0CG0	17350	1500	1620	2720	2000	375	220	280	710	4240	3920	o.r.
1RQ8 714-4MA60-0CJ0	17500	1500	1620	2720	2000	630	220	280	710	4240	4180	o.r.
1RQ8 717-4MA60-0CG0	18700	1500	1620	2720	2240	375	220	280	710	4240	4160	o.r.
1RQ8 717-4MA60-0CJ0	18800	1500	1620	2720	2240	630	220	280	710	4240	4420	o.r.
1RQ8 718-4MA60-0CG0	19250	1500	1620	2720	2240	375	220	280	710	4240	4160	o.r.
1RQ8 718-4MA60-0CJ0	19400	1500	1620	2720	2240	630	220	280	710	4240	4420	o.r.
6-pole												
1RQ7 453-6MA60-0AA2	5050	850	925	1545	1180	250	130	200	450	3160	2710	o.r.
1RQ7 453-6MA60-0AC2	5100	850	925	1545	1180	500	130	200	450	3160	2960	o.r.
1RQ7 453-6MA60-0CA0	5200	850	925	1545	1180	250	130	200	450	3160	2710	o.r.
1RQ7 453-6MA60-0CC0	5250	850	925	1545	1180	500	130	200	450	3160	2960	o.r.
1RQ7 454-6MA60-0CA2	5400	850	925	1545	1180	250	130	200	450	3160	2710	o.r.



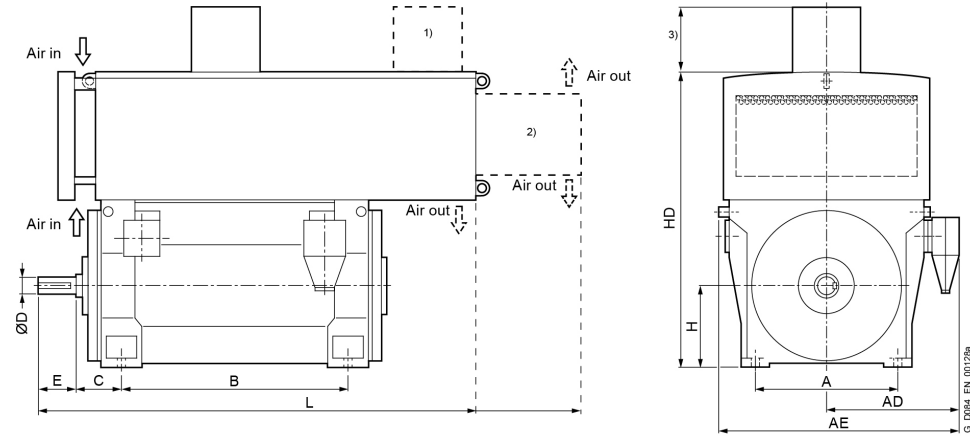
Motor type	Weight kg	Dimensions										
		A mm	AD mm	AE mm	B mm	C mm	D mm	E mm	H mm	HD mm	L mm	ML mm
Innomotics HV M - 1RQ. IC666 6000 V / 50 Hz B3 (IM 1001) - Dimension drawings												
1RQ7 454-6MA60-0CC2	5450	850	925	1545	1180	500	130	200	450	3160	2960	o.r.
1RQ7 454-6MA60-0AA2	5200	850	925	1545	1180	250	130	200	450	3160	2710	o.r.
1RQ7 454-6MA60-0AC2	5250	850	925	1545	1180	500	130	200	450	3160	2960	o.r.
1RQ7 457-6MA60-0AA0	5700	850	925	1545	1400	250	130	200	450	3160	2920	o.r.
1RQ7 457-6MA60-0AC0	5750	850	925	1545	1400	500	130	200	450	3160	3170	o.r.
1RQ7 457-6MA60-0CA0	5900	850	925	1545	1400	250	130	200	450	3160	2920	o.r.
1RQ7 457-6MA60-0CC0	5900	850	925	1545	1400	500	130	200	450	3160	3170	o.r.
1RQ7 458-6MA60-0AA2	6000	850	925	1545	1400	250	130	200	450	3160	2920	o.r.
1RQ7 458-6MA60-0AC2	6000	850	925	1545	1400	500	130	200	450	3160	3170	o.r.
1RQ7 458-6MA60-0CA2	6200	850	925	1545	1400	250	130	200	450	3160	2920	o.r.
1RQ7 458-6MA60-0CC2	6200	850	925	1545	1400	500	130	200	450	3160	3170	o.r.
1RQ7 503-6MA60-0CA2	7350	950	1005	1705	1320	315	160	240	500	3370	3060	o.r.
1RQ7 503-6MA60-0CC2	7450	950	1005	1705	1320	560	170	240	500	3370	3300	o.r.
1RQ7 503-6MA60-0AA2	7200	950	1005	1705	1320	315	160	240	500	3370	3060	o.r.
1RQ7 503-6MA60-0AC2	7250	950	1005	1705	1320	560	170	240	500	3370	3300	o.r.
1RQ7 504-6MA60-0AA2	7400	950	1005	1705	1320	315	160	240	500	3370	3060	o.r.
1RQ7 504-6MA60-0AC2	7500	950	1005	1705	1320	560	170	240	500	3370	3300	o.r.
1RQ7 504-6MA60-0CA2	7650	950	1005	1705	1320	315	160	240	500	3370	3060	o.r.
1RQ7 504-6MA60-0CC2	7700	950	1005	1705	1320	560	170	240	500	3370	3300	o.r.
1RQ7 507-6MA60-0CA2	8400	950	1005	1705	1500	315	160	240	500	3370	3270	o.r.
1RQ7 507-6MA60-0CC2	8450	950	1005	1705	1500	560	170	240	500	3370	3510	o.r.
1RQ7 507-6MA60-0AA2	8100	950	1005	1705	1500	315	160	240	500	3370	3270	o.r.
1RQ7 507-6MA60-0AC2	8150	950	1005	1705	1500	560	170	240	500	3370	3510	o.r.



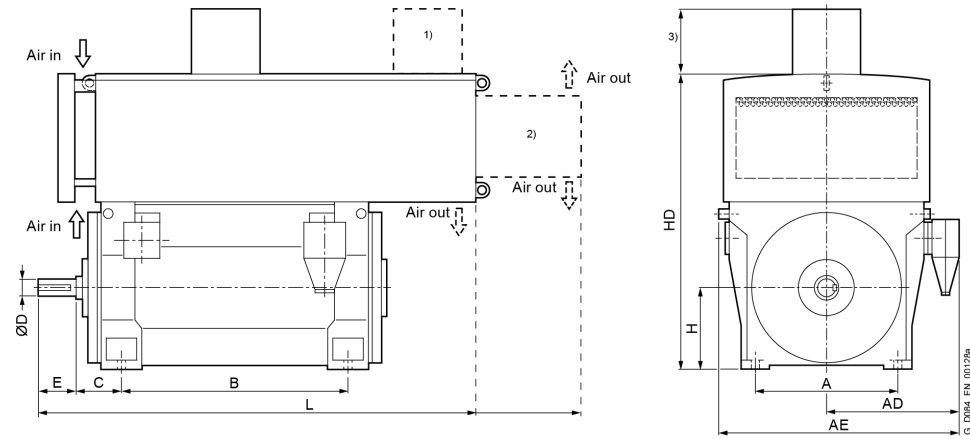
Motor type	Weight	Dimensions										
		A	AD	AE	B	C	D	E	H	HD	L	ML
	kg	mm	mm	mm	mm	mm	mm	mm	mm	mm	mm	mm
Innomotics HV M - 1RQ. IC666 6000 V / 50 Hz B3 (IM 1001) - Dimension drawings												
1RQ7 508-6MA60-OCA2	8750	950	1005	1705	1500	315	160	240	500	3370	3270	o.r.
1RQ7 508-6MA60-OCC2	8800	950	1005	1705	1500	560	170	240	500	3370	3510	o.r.
1RQ7 508-6MA60-OAA2	8450	950	1005	1705	1500	315	160	240	500	3370	3270	o.r.
1RQ7 508-6MA60-OAC2	8500	950	1005	1705	1500	560	170	240	500	3370	3510	o.r.
1RQ7 561-6MA60-OCA2	9100	1060	1290	2060	1400	335	190	280	560	3650	3250	o.r.
1RQ7 561-6MA60-OCC2	9150	1060	1290	2060	1400	600	190	280	560	3650	3520	o.r.
1RQ7 562-6MA60-OCA2	9450	1060	1290	2060	1400	335	190	280	560	3650	3250	o.r.
1RQ7 562-6MA60-OCC2	9500	1060	1290	2060	1400	600	190	280	560	3650	3520	o.r.
1RQ7 563-6MA60-OCA2	9750	1060	1290	2060	1400	335	190	280	560	3650	3250	o.r.
1RQ7 563-6MA60-OCC2	9800	1060	1290	2060	1400	600	190	280	560	3650	3520	o.r.
1RQ7 564-6MA60-OCA2	10100	1060	1290	2060	1400	335	190	280	560	3650	3250	o.r.
1RQ7 564-6MA60-OCC2	10150	1060	1290	2060	1400	600	190	280	560	3650	3520	o.r.
1RQ7 567-6MA60-OCA2	10950	1060	1290	2060	1600	335	190	280	560	3650	3480	o.r.
1RQ7 567-6MA60-OCC2	11000	1060	1290	2060	1600	600	190	280	560	3650	3750	o.r.
1RQ7 568-6MA60-OCA2	11550	1060	1290	2060	1600	335	190	280	560	3650	3480	o.r.
1RQ7 568-6MA60-OCC2	11650	1060	1290	2060	1600	600	190	280	560	3650	3750	o.r.
1RQ8 632-6MA60-OCG0	11950	1320	1520	2520	1600	375	200	280	630	3210	3920	o.r.
1RQ8 632-6MA60-OCJ0	12050	1320	1520	2520	1600	630	200	280	630	3210	4170	o.r.
1RQ8 633-6MA60-OCG0	12350	1320	1520	2520	1600	375	200	280	630	3210	3920	o.r.
1RQ8 633-6MA60-OCJ0	12450	1320	1520	2520	1600	630	200	280	630	3210	4170	o.r.
1RQ8 634-6MA60-OCG0	12900	1320	1520	2520	1600	375	200	280	630	3210	3920	o.r.
1RQ8 634-6MA60-OCJ0	13000	1320	1520	2520	1600	630	200	280	630	3210	4170	o.r.
1RQ8 637-6MA60-OCG0	13700	1320	1520	2520	1800	375	200	280	630	3210	4120	o.r.



Motor type	Weight	Dimensions										
		A	AD	AE	B	C	D	E	H	HD	L	ML
	kg	mm	mm	mm	mm	mm	mm	mm	mm	mm	mm	mm
Innomotics HV M - 1RQ. IC666 6000 V / 50 Hz B3 (IM 1001) - Dimension drawings												
1RQ8 637-6MA60-0CJ0	13850	1320	1520	2520	1800	630	200	280	630	3210	4370	o.r.
1RQ8 638-6MA60-0CG0	14250	1320	1520	2520	1800	375	200	280	630	3210	4120	o.r.
1RQ8 638-6MA60-0CJ0	14400	1320	1520	2520	1800	630	200	280	630	3210	4370	o.r.
1RQ8 712-6MA60-0CG0	15750	1500	1620	2720	2000	375	220	280	710	4240	3920	o.r.
1RQ8 712-6MA60-0CJ0	15850	1500	1620	2720	2000	630	220	280	710	4240	4180	o.r.
1RQ8 713-6MA60-0CG0	16650	1500	1620	2720	2000	375	220	280	710	4240	3920	o.r.
1RQ8 713-6MA60-0CJ0	16800	1500	1620	2720	2000	630	220	280	710	4240	4180	o.r.
1RQ8 714-6MA60-0CG0	17700	1500	1620	2720	2000	375	220	280	710	4240	3920	o.r.
1RQ8 714-6MA60-0CJ0	17850	1500	1620	2720	2000	630	220	280	710	4240	4180	o.r.
1RQ8 717-6MA60-0CG0	19350	1500	1620	2720	2240	375	220	280	710	4240	4160	o.r.
1RQ8 717-6MA60-0CJ0	19500	1500	1620	2720	2240	630	220	280	710	4240	4420	o.r.
1RQ8 718-6MA60-0CG0	20400	1500	1620	2720	2240	375	220	280	710	4240	4160	o.r.
1RQ8 718-6MA60-0CJ0	20550	1500	1620	2720	2240	630	220	280	710	4240	4420	o.r.
8-pole												
1RQ7 452-8MA60-0AA0	5050	850	925	1545	1180	250	130	200	450	3160	2710	o.r.
1RQ7 452-8MA60-0AC0	5100	850	925	1545	1180	500	130	200	450	3160	2960	o.r.
1RQ7 453-8MA60-0AA0	5250	850	925	1545	1180	250	130	200	450	3160	2710	o.r.
1RQ7 453-8MA60-0AC0	5300	850	925	1545	1180	500	130	200	450	3160	2960	o.r.
1RQ7 454-8MA60-0AA2	5500	850	925	1545	1180	250	130	200	450	3160	2710	o.r.
1RQ7 454-8MA60-0AC2	5500	850	925	1545	1180	500	130	200	450	3160	2960	o.r.
1RQ7 457-8MA60-0AA2	6000	850	925	1545	1400	250	130	200	450	3160	2920	o.r.
1RQ7 457-8MA60-0AC2	6050	850	925	1545	1400	500	130	200	450	3160	3170	o.r.
1RQ7 458-8MA60-0AA2	6250	850	925	1545	1400	250	130	200	450	3160	2920	o.r.



Motor type	Weight	Dimensions										
		A	AD	AE	B	C	D	E	H	HD	L	ML
	kg	mm	mm	mm	mm	mm	mm	mm	mm	mm	mm	mm
Innomotics HV M - 1RQ. IC666 6000 V / 50 Hz B3 (IM 1001) - Dimension drawings												
1RQ7 458-8MA60-0AC2	6250	850	925	1545	1400	500	130	200	450	3160	3170	o.r.
1RQ7 502-8MA60-0AA2	6900	950	1005	1705	1320	315	160	240	500	3370	3060	o.r.
1RQ7 502-8MA60-0AC2	6950	950	1005	1705	1320	560	170	240	500	3370	3300	o.r.
1RQ7 503-8MA60-0AA2	7150	950	1005	1705	1320	315	160	240	500	3370	3060	o.r.
1RQ7 503-8MA60-0AC2	7200	950	1005	1705	1320	560	170	240	500	3370	3300	o.r.
1RQ7 503-8MA60-0CA2	7400	950	1005	1705	1320	315	160	240	500	3370	3060	o.r.
1RQ7 503-8MA60-0CC2	7450	950	1005	1705	1320	560	170	240	500	3370	3300	o.r.
1RQ7 504-8MA60-0AA2	7450	950	1005	1705	1320	315	160	240	500	3370	3060	o.r.
1RQ7 504-8MA60-0AC2	7500	950	1005	1705	1320	560	170	240	500	3370	3300	o.r.
1RQ7 504-8MA60-0CA2	7700	950	1005	1705	1320	315	160	240	500	3370	3060	o.r.
1RQ7 504-8MA60-0CC2	7750	950	1005	1705	1320	560	170	240	500	3370	3300	o.r.
1RQ7 507-8MA60-0AA2	8150	950	1005	1705	1500	315	160	240	500	3370	3270	o.r.
1RQ7 507-8MA60-0AC2	8200	950	1005	1705	1500	560	170	240	500	3370	3510	o.r.
1RQ7 507-8MA60-0CA2	8400	950	1005	1705	1500	315	160	240	500	3370	3270	o.r.
1RQ7 507-8MA60-0CC2	8450	950	1005	1705	1500	560	170	240	500	3370	3510	o.r.
1RQ7 508-8MA60-0AA2	8500	950	1005	1705	1500	315	160	240	500	3370	3270	o.r.
1RQ7 508-8MA60-0AC2	8550	950	1005	1705	1500	560	170	240	500	3370	3510	o.r.
1RQ7 508-8MA60-0CA2	8750	950	1005	1705	1500	315	160	240	500	3370	3270	o.r.
1RQ7 508-8MA60-0CC2	8850	950	1005	1705	1500	560	170	240	500	3370	3510	o.r.
1RQ7 563-8MA60-0CA2	9400	1060	1075	1845	1400	335	190	280	560	3650	3250	o.r.
1RQ7 563-8MA60-0CC2	9500	1060	1075	1845	1400	600	190	280	560	3650	3520	o.r.
1RQ7 564-8MA60-0CA2	9850	1060	1075	1845	1400	335	190	280	560	3650	3250	o.r.
1RQ7 564-8MA60-0CC2	9950	1060	1075	1845	1400	600	190	280	560	3650	3520	o.r.



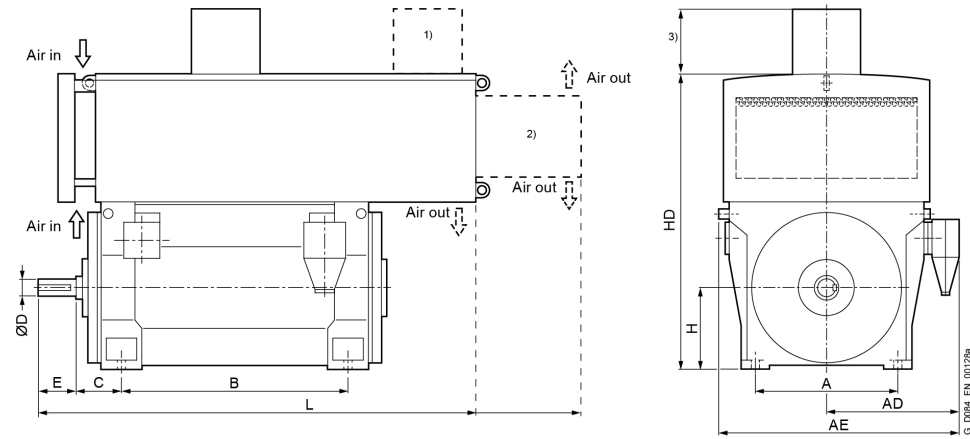
Motor type	Weight	Dimensions										
		A	AD	AE	B	C	D	E	H	HD	L	ML
	kg	mm	mm	mm	mm	mm	mm	mm	mm	mm	mm	mm
Innomotics HV M - 1RQ. IC666 6000 V / 50 Hz B3 (IM 1001) - Dimension drawings												
1RQ7 567-8MA60-OCA2	10750	1060	1075	1845	1600	335	190	280	560	3650	3480	o.r.
1RQ7 567-8MA60-OCC2	10850	1060	1075	1845	1600	600	190	280	560	3650	3750	o.r.
1RQ7 568-8MA60-OCA2	11300	1060	1075	1845	1600	335	190	280	560	3650	3480	o.r.
1RQ7 568-8MA60-OCC2	11350	1060	1075	1845	1600	600	190	280	560	3650	3750	o.r.
1RQ8 633-8MA60-OCG0	11100	1320	1520	2520	1600	375	200	280	630	3210	3920	o.r.
1RQ8 633-8MA60-OCJ0	11200	1320	1520	2520	1600	630	200	280	630	3210	4170	o.r.
1RQ8 634-8MA60-OCG0	11900	1320	1520	2520	1600	375	200	280	630	3210	3920	o.r.
1RQ8 634-8MA60-OCJ0	12000	1320	1520	2520	1600	630	200	280	630	3210	4170	o.r.
1RQ8 637-8MA60-OCG0	13150	1320	1520	2520	1800	375	200	280	630	3210	4120	o.r.
1RQ8 637-8MA60-OCJ0	13250	1320	1520	2520	1800	630	200	280	630	3210	4370	o.r.
1RQ8 638-8MA60-OCG0	13900	1320	1520	2520	1800	375	200	280	630	3210	4120	o.r.
1RQ8 638-8MA60-OCJ0	14000	1320	1520	2520	1800	630	200	280	630	3210	4370	o.r.
1RQ8 712-8MA60-OCG0	15100	1500	1620	2720	2000	375	220	280	710	4150	3920	o.r.
1RQ8 712-8MA60-OCJ0	15300	1500	1620	2720	2000	630	220	280	710	4150	4180	o.r.
1RQ8 713-8MA60-OCG0	15800	1500	1620	2720	2000	375	220	280	710	4150	3920	o.r.
1RQ8 713-8MA60-OCJ0	16000	1500	1620	2720	2000	630	220	280	710	4150	4180	o.r.
1RQ8 714-8MA60-OCG0	16950	1500	1620	2720	2000	375	220	280	710	4150	3920	o.r.
1RQ8 714-8MA60-OCJ0	17150	1500	1620	2720	2000	630	220	280	710	4150	4180	o.r.
1RQ8 717-8MA60-OCG0	18750	1500	1620	2720	2240	375	220	280	710	4150	4160	o.r.
1RQ8 717-8MA60-OCJ0	18950	1500	1620	2720	2240	630	220	280	710	4150	4420	o.r.
1RQ8 718-8MA60-OCG0	19750	1500	1620	2720	2240	375	220	280	710	4150	4160	o.r.
1RQ8 718-8MA60-OCJ0	19950	1500	1620	2720	2240	630	220	280	710	4150	4420	o.r.

Innomotics HV M - 1RQ. IC666 6600 V / 60 Hz B3 (IM 1001)																		
Rated power IEC kW	Article No.	Speed	Rated current	Efficiency				Power factor				Torque	Breakdown torque	Locked rotor torque	Locked rotor current	Inertia		
		rpm	I_R A	5/4 load	4/4 load	3/4 load	2/4 load	5/4 load	4/4 load	3/4 load	2/4 load	T_R Nm	T_B/ T_R [-]	T_{LR}/ T_R [-]	I_{LR}/ I_R [-]	motor	external	Startup max T/TR
2-pole: n_{sync} = 3600 rpm at 60 Hz																		
1600	1RQ7 453-2MA10-0A.0	3578	168	95.5	95.8	95.5	94.3	0.86	0.87	0.84	0.78	4270	2.45	0.50	5.9	10	20	o.r.
1600	1RQ7 453-2MA10-0C.0	3579	164	95.5	95.8	95.4	94.3	0.88	0.89	0.88	0.84	4269	2.50	0.60	5.8	14	95	o.r.
1750	1RQ7 454-2MA10-0A.0	3578	182	95.6	96.0	95.8	94.9	0.87	0.88	0.87	0.83	4671	2.45	0.55	5.9	11	20	o.r.
1740	1RQ7 454-2MA10-0C.0	3579	176	95.6	95.9	95.6	94.5	0.89	0.90	0.89	0.86	4643	2.65	0.65	6.0	15	95	o.r.
1950	1RQ7 457-2MA10-0A.0	3580	200	95.8	96.1	95.8	94.8	0.87	0.88	0.85	0.79	5201	2.65	0.55	6.0	12	25	o.r.
1950	1RQ7 457-2MA10-0C.0	3580	198	95.8	96.1	95.8	94.7	0.89	0.90	0.89	0.86	5201	2.65	0.65	6.0	16	100	o.r.
2100	1RQ7 458-2MA10-0A.0	3580	210	96.0	96.3	96.1	95.2	0.89	0.90	0.88	0.84	5602	2.80	0.65	6.2	13	25	o.r.
2100	1RQ7 458-2MA10-0C.0	3580	210	95.9	96.3	96.1	95.2	0.90	0.91	0.91	0.88	5602	2.80	0.70	6.0	17	105	o.r.
2300	1RQ7 502-2MA10-0C.0	3576	240	95.8	96.0	95.9	95.2	0.87	0.88	0.87	0.82	6142	2.35	0.65	4.6	18	70	o.r.
2500	1RQ7 503-2MA10-0C.0	3579	255	96.1	96.3	96.2	95.4	0.88	0.89	0.88	0.83	6670	2.70	0.70	5.3	20	74	o.r.
2600	1RQ7 504-2MA10-0C.0	3580	265	96.2	96.3	96.2	95.4	0.88	0.89	0.88	0.81	6935	2.80	0.80	5.5	21	76	o.r.
2900	1RQ7 507-2MA10-0C.0	3581	290	96.4	96.6	96.5	95.8	0.90	0.90	0.89	0.85	7733	2.85	0.80	5.8	24	82	o.r.
3100	1RQ7 508-2MA10-0C.0	3582	310	96.6	96.8	96.7	96.1	0.91	0.91	0.91	0.87	8264	2.85	0.65	5.8	27	92	o.r.
3670	1RQ7 562-2MA10-0CC0	3584	375	96.0	96.1	95.7	94.7	0.87	0.89	0.88	0.84	9778	2.45	0.60	5.7	41	175	o.r.
3810	1RQ7 563-2MA10-0CC0	3585	385	96.1	96.2	95.9	94.9	0.89	0.90	0.89	0.86	10149	2.70	0.70	6.1	44	185	o.r.
4580	1RQ7 564-2MA10-0CC0	3584	470	95.9	96.0	95.6	94.5	0.88	0.89	0.88	0.85	12203	2.50	0.60	5.7	47	175	o.r.
4840	1RQ7 567-2MA10-0CC0	3585	490	96.1	96.2	95.8	94.7	0.90	0.90	0.90	0.86	12892	2.80	0.65	6.0	52	185	o.r.
5080	1RQ7 568-2MA10-0CC0	3588	510	96.3	96.3	95.8	94.6	0.90	0.90	0.88	0.84	13520	3.20	0.75	6.8	58	210	o.r.
5650	1RQ8 632-2MA10-0CJ0	3581	580	95.9	96.1	95.5	94.0	0.86	0.89	0.89	0.88	15067	2.00	0.50	4.9	75	150	o.r.
6150	1RQ8 633-2MA10-0CJ0	3581	630	96.1	96.3	95.8	94.4	0.87	0.89	0.90	0.89	16400	2.00	0.50	4.9	82	150	o.r.
6650	1RQ8 634-2MA10-0CJ0	3583	670	96.4	96.5	96.0	94.7	0.88	0.90	0.91	0.90	17723	2.15	0.55	5.2	90	150	o.r.
7400	1RQ8 637-2MA10-0CJ0	3583	740	96.6	96.7	96.2	95.0	0.89	0.91	0.92	0.90	19722	2.30	0.60	5.5	99	150	o.r.
7900	1RQ8 638-2MA10-0CJ0	3586	780	96.8	96.9	96.4	95.1	0.91	0.92	0.92	0.90	21037	2.55	0.65	6.0	107	160	o.r.
8700	1RQ8 712-2MA10-0CJ0	3588	880	96.4	96.3	95.6	94.1	0.88	0.90	0.89	0.87	23155	2.15	0.55	5.2	149	90	o.r.
9150	1RQ8 713-2MA10-0CJ0	3586	920	96.5	96.4	95.9	94.5	0.87	0.90	0.90	0.90	24366	2.00	0.50	4.8	160	80	o.r.
9900	1RQ8 714-2MA10-0CJ0	3588	990	96.7	96.6	96.0	94.7	0.90	0.91	0.91	0.89	26348	2.35	0.60	5.6	173	70	o.r.
10500	1RQ8 716-2MA10-0CJ0	3590	1040	96.8	96.6	95.9	94.4	0.90	0.91	0.89	0.85	27930	2.55	0.60	6.2	184	100	o.r.
11250	1RQ8 717-2MA10-0CJ0	3589	1120	97.0	96.8	96.3	95.0	0.90	0.91	0.91	0.89	29933	2.30	0.50	5.6	199	100	o.r.
4-pole: n_{sync} = 1800 rpm at 60 Hz																		
1600	1RQ7 453-4MA10-0A.0	1783	168	95.2	95.7	95.7	95.1	0.87	0.87	0.84	0.77	8569	2.40	0.65	5.5	17	175	o.r.
1680	1RQ7 453-4MA10-0C.0	1784	176	95.3	95.8	95.9	95.3	0.86	0.87	0.86	0.81	8993	2.20	0.45	5.0	23	285	o.r.
1830	1RQ7 454-4MA10-0C.0	1786	192	95.6	96.0	96.0	95.3	0.86	0.87	0.83	0.75	9785	2.45	0.50	5.3	25	340	o.r.
1710	1RQ7 454-4MA10-0A.0	1783	180	95.4	95.9	95.8	95.2	0.87	0.87	0.84	0.76	9158	2.55	0.70	6.0	19	215	o.r.
2100	1RQ7 457-4MA10-0C.0	1787	215	95.9	96.3	96.3	95.7	0.88	0.89	0.86	0.80	11222	2.60	0.60	5.8	30	425	o.r.
2000	1RQ7 457-4MA10-0A.0	1783	205	95.7	96.2	96.2	95.7	0.88	0.89	0.87	0.81	10711	2.55	0.70	6.0	22	240	o.r.
2250	1RQ7 458-4MA10-0C.0	1788	230	96.1	96.5	96.4	95.8	0.88	0.89	0.85	0.78	12017	2.80	0.65	6.0	32	475	o.r.

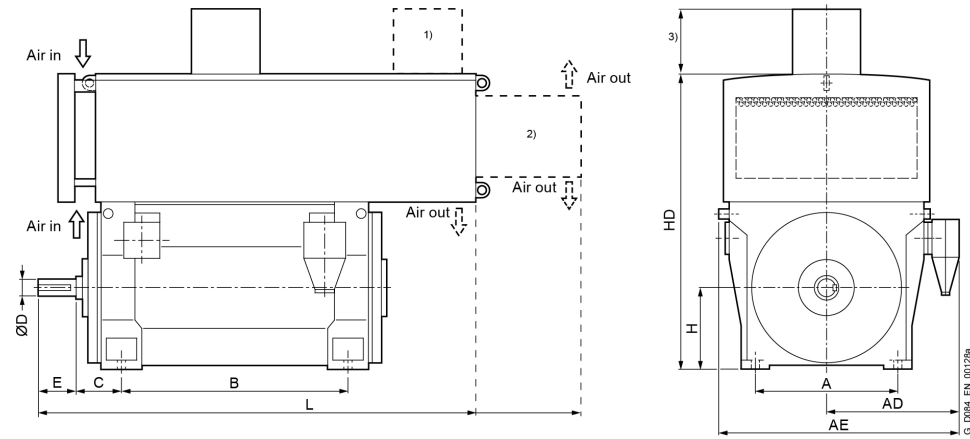
Innomotics HV M - 1RQ. IC666 6600 V / 60 Hz B3 (IM 1001)																		
Rated power IEC	Article No.	Speed	Rated current I _R	Efficiency				Power factor				Torque T _R	Breakdown torque T _B / T _R	Locked rotor torque T _{LR} / T _R	Locked rotor current I _{LR} / I _R	Inertia		
				5/4 load	4/4 load	3/4 load	2/4 load	5/4 load	4/4 load	3/4 load	2/4 load					motor	external	Startup max T/TR
kW		rpm	A	%	%	%	%	cos φ	cos φ	cos φ	cos φ	Nm	[-]	[-]	[-]	kgm ²	kgm ²	[-]
2150	1RQ7 458-4MA10-0A.0	1785	220	95.9	96.3	96.3	95.8	0.88	0.89	0.86	0.80	11502	2.70	0.75	6.0	24	270	o.r.
2600	1RQ7 503-4MA10-0A.0	1786	270	96.1	96.4	96.5	95.8	0.87	0.88	0.86	0.80	13902	2.50	0.75	5.5	37	340	o.r.
2650	1RQ7 503-4MA10-0C.0	1788	270	96.1	96.4	96.5	95.9	0.87	0.89	0.87	0.82	14153	2.45	0.55	5.0	45	355	o.r.
2850	1RQ7 504-4MA10-0A.0	1787	295	96.3	96.5	96.6	95.9	0.88	0.88	0.85	0.79	15230	2.75	0.85	5.9	40	295	o.r.
2900	1RQ7 504-4MA10-0C.0	1789	295	96.4	96.6	96.6	95.9	0.88	0.89	0.86	0.81	15480	2.50	0.55	5.2	50	485	o.r.
3150	1RQ7 507-4MA10-0C.0	1788	315	96.5	96.8	96.8	96.3	0.90	0.90	0.89	0.86	16823	2.55	0.65	5.2	56	405	o.r.
3100	1RQ7 507-4MA10-0A.0	1785	310	96.2	96.7	96.8	96.4	0.88	0.90	0.89	0.87	16584	2.45	0.80	5.3	46	255	o.r.
3350	1RQ7 508-4MA10-0A.0	1786	335	96.4	96.8	96.9	96.5	0.89	0.90	0.89	0.86	17912	2.50	0.80	5.7	50	270	o.r.
3400	1RQ7 508-4MA10-0C.0	1788	340	96.6	96.9	97.0	96.5	0.90	0.90	0.90	0.87	18159	2.45	0.60	5.2	62	545	o.r.
3800	1RQ7 563-4MA10-0C.0	1790	385	96.6	96.9	97.0	96.6	0.88	0.89	0.88	0.85	20272	2.25	0.65	5.4	80	515	o.r.
4100	1RQ7 564-4MA10-0C.0	1789	415	96.7	97.0	97.2	96.9	0.88	0.89	0.90	0.88	21885	2.05	0.55	4.9	90	595	o.r.
4750	1RQ7 566-4MA10-0C.0	1791	475	97.0	97.2	97.3	97.0	0.89	0.90	0.89	0.87	25326	2.30	0.65	5.6	100	625	o.r.
5200	1RQ7 567-4MA10-0C.0	1791	519	97.1	97.3	97.5	97.1	0.89	0.90	0.90	0.87	27725	2.30	0.60	5.5	109	695	o.r.
5700	1RQ7 568-4MA10-0C.0	1791	569	97.2	97.4	97.5	97.2	0.89	0.90	0.89	0.86	30391	2.40	0.65	5.9	119	740	o.r.
6300	1RQ8 633-4MA10-0C.0	1791	640	96.6	96.8	96.5	95.6	0.88	0.89	0.88	0.84	33590	2.45	0.55	5.8	151	380	o.r.
7100	1RQ8 634-4MA10-0C.0	1791	720	96.8	96.9	96.7	95.9	0.88	0.89	0.88	0.84	37856	2.45	0.55	5.8	166	400	o.r.
7500	1RQ8 637-4MA10-0C.0	1792	750	96.9	97.0	96.8	96.1	0.90	0.90	0.90	0.86	39966	2.55	0.65	6.0	182	450	o.r.
8350	1RQ8 638-4MA10-0C.0	1792	830	97.0	97.2	97.0	96.3	0.89	0.90	0.89	0.85	44496	2.55	0.60	6.0	197	500	o.r.
9050	1RQ8 712-4MA10-0C.0	1791	900	97.0	97.2	97.1	96.4	0.89	0.90	0.90	0.87	48253	2.35	0.50	5.7	259	440	o.r.
9600	1RQ8 713-4MA10-0C.0	1792	950	97.1	97.3	97.2	96.5	0.89	0.91	0.90	0.88	51157	2.50	0.55	6.0	284	500	o.r.
10400	1RQ8 714-4MA10-0C.0	1792	1020	97.3	97.4	97.3	96.6	0.90	0.91	0.91	0.88	55420	2.60	0.55	6.0	312	550	o.r.
11550	1RQ8 717-4MA10-0C.0	1792	1140	97.3	97.5	97.4	96.8	0.90	0.91	0.91	0.89	61548	2.60	0.55	6.0	346	580	o.r.
11950	1RQ8 718-4MA10-0C.0	1793	1200	97.4	97.5	97.4	96.7	0.89	0.90	0.89	0.86	63644	2.60	0.50	6.0	361	700	o.r.
6-pole: n_{sync} = 1200 rpm at 60 Hz																		
1220	1RQ7 452-6MA10-0A.0	1189	136	94.9	95.5	95.5	95.0	0.82	0.82	0.75	0.63	9798	2.40	0.80	5.5	20	530	o.r.
1350	1RQ7 453-6MA10-0A.0	1189	148	95.2	95.7	95.8	95.3	0.83	0.83	0.77	0.65	10842	2.40	0.80	5.5	22	610	o.r.
1370	1RQ7 453-6MA10-0C.0	1189	148	95.2	95.7	95.9	95.5	0.84	0.85	0.82	0.74	11003	2.35	0.65	5.3	30	850	o.r.
1420	1RQ7 454-6MA10-0A.0	1189	152	95.2	95.8	96.0	95.7	0.84	0.85	0.82	0.75	11405	2.25	0.80	5.5	24	620	o.r.
1500	1RQ7 454-6MA10-0C.0	1189	162	95.2	95.8	96.0	95.6	0.85	0.85	0.82	0.75	12047	2.35	0.65	5.3	33	880	o.r.
1600	1RQ7 457-6MA10-0A.0	1190	172	95.4	96.0	96.1	95.7	0.84	0.85	0.80	0.70	12839	2.45	0.80	5.5	28	815	o.r.
1620	1RQ7 457-6MA10-0C.0	1190	172	95.4	96.0	96.1	95.8	0.85	0.86	0.83	0.76	13000	2.40	0.65	5.3	36	1030	o.r.
1750	1RQ7 458-6MA10-0A.0	1190	188	95.7	96.2	96.3	96.0	0.85	0.85	0.81	0.73	14043	2.45	0.85	5.7	31	925	o.r.
1760	1RQ7 458-6MA10-0C.0	1191	186	95.7	96.2	96.3	95.9	0.86	0.86	0.83	0.75	14111	2.60	0.75	5.5	41	1120	o.r.
1950	1RQ7 502-6MA10-0A.0	1191	215	95.7	96.1	96.2	95.8	0.83	0.83	0.79	0.70	15635	2.45	0.90	5.1	42	1180	o.r.
2000	1RQ7 502-6MA10-0C.0	1192	210	95.8	96.2	96.4	96.0	0.84	0.86	0.83	0.76	16022	2.30	0.70	4.7	54	1250	o.r.
2170	1RQ7 503-6MA10-0A.0	1191	240	95.8	96.2	96.4	95.9	0.83	0.83	0.79	0.70	17399	2.50	0.95	5.2	46	1300	o.r.
2240	1RQ7 503-6MA10-0C.0	1192	235	95.9	96.3	96.5	96.1	0.84	0.86	0.83	0.76	17945	2.35	0.70	4.7	60	1370	o.r.

Innomotics HV M - 1RQ. IC666 6600 V / 60 Hz B3 (IM 1001)																		
Rated power IEC	Article No.	Speed	Rated current I_R	Efficiency				Power factor				Torque T_R	Breakdown torque T_B/ T_R	Locked torque T_{LR}/ T_R	rotor Locked current I_{LR}/ I_R	Inertia		
				5/4 load	4/4 load	3/4 load	2/4 load	5/4 load	4/4 load	3/4 load	2/4 load					motor	external	Startup max T/TR
kW		rpm	A	%	%	%	%	$\cos \varphi$	$\cos \varphi$	$\cos \varphi$	$\cos \varphi$	Nm	[-]	[-]	[-]	kgm ²	kgm ²	[-]
2320	1RQ7 504-6MA10-0A.0	1192	255	96.1	96.3	96.4	95.9	0.82	0.82	0.76	0.65	18586	2.75	1.05	5.6	51	1430	o.r.
2420	1RQ7 504-6MA10-0C.0	1193	260	96.2	96.5	96.6	96.1	0.84	0.84	0.81	0.73	19371	2.55	0.80	5.1	66	1500	o.r.
2540	1RQ7 507-6MA10-0A.0	1192	275	96.2	96.5	96.6	96.1	0.83	0.83	0.77	0.67	20348	2.75	1.00	5.8	58	1600	o.r.
2640	1RQ7 507-6MA10-0C.0	1193	285	96.3	96.6	96.7	96.3	0.84	0.84	0.82	0.73	21132	2.50	0.75	5.1	74	1650	o.r.
2750	1RQ7 508-6MA10-0A.0	1191	290	96.2	96.6	96.8	96.5	0.85	0.86	0.84	0.77	22049	2.45	0.95	5.4	63	1780	o.r.
3000	1RQ7 561-6MA10-0C.0	1193	315	96.1	96.5	96.6	96.1	0.85	0.86	0.84	0.78	24013	2.40	0.65	5.4	96	990	o.r.
3550	1RQ7 563-6MA10-0C.0	1193	375	96.4	96.8	96.8	96.4	0.85	0.86	0.84	0.78	28416	2.50	0.65	5.6	112	1230	o.r.
4000	1RQ7 567-6MA10-0C.0	1193	415	96.6	97.0	97.0	96.6	0.86	0.87	0.85	0.81	32018	2.60	0.70	5.8	134	1650	o.r.
4500	1RQ7 568-6MA10-0C.0	1194	465	96.8	97.1	97.2	96.8	0.87	0.87	0.85	0.80	35990	2.65	0.70	5.9	150	1880	o.r.
4900	1RQ8 632-6MA10-0C.0	1193	520	96.4	96.6	96.4	95.5	0.85	0.86	0.81	0.73	39222	2.50	0.55	5.5	193	1280	o.r.
5300	1RQ8 633-6MA10-0C.0	1193	560	96.5	96.7	96.6	95.8	0.85	0.86	0.82	0.74	42424	2.45	0.55	5.5	209	1360	o.r.
5700	1RQ8 634-6MA10-0C.0	1193	590	96.6	96.8	96.7	95.9	0.86	0.87	0.83	0.76	45625	2.45	0.55	5.5	227	1850	o.r.
6200	1RQ8 637-6MA10-0C.0	1193	640	96.7	96.9	96.8	96.1	0.86	0.87	0.84	0.77	49628	2.45	0.55	5.5	247	1650	o.r.
6450	1RQ8 638-6MA10-0C.0	1193	670	96.8	97.0	96.8	96.1	0.86	0.87	0.83	0.76	51629	2.50	0.55	5.5	264	1880	o.r.
7350	1RQ8 712-6MA10-0C.0	1194	760	97.0	97.2	97.1	96.5	0.86	0.87	0.84	0.78	58783	2.40	0.55	5.5	331	1470	o.r.
8100	1RQ8 713-6MA10-0C.0	1194	840	97.1	97.3	97.3	96.8	0.86	0.87	0.86	0.81	64782	2.25	0.50	5.5	374	1670	o.r.
8700	1RQ8 714-6MA10-0C.0	1194	890	97.1	97.4	97.4	96.9	0.87	0.88	0.87	0.82	69580	2.30	0.50	5.5	424	1980	o.r.
9650	1RQ8 717-6MA10-0C.0	1194	980	97.3	97.5	97.5	97.0	0.87	0.88	0.87	0.82	77178	2.40	0.55	5.5	478	2300	o.r.
10000	1RQ8 718-6MA10-0C.0	1195	1040	97.4	97.5	97.5	96.9	0.87	0.87	0.85	0.78	79910	2.50	0.50	5.5	520	2930	o.r.
8-pole: n_{sync} = 900 rpm at 60 Hz																		
960	1RQ7 452-8MA10-0A.0	889	108	94.2	95.2	95.5	95.2	0.79	0.81	0.77	0.68	10312	1.80	0.55	4.5	25	1150	o.r.
990	1RQ7 452-8MA10-0C.0	889	110	94.2	95.2	95.5	95.2	0.81	0.82	0.79	0.70	10634	1.95	0.45	4.5	32	1690	o.r.
1050	1RQ7 453-8MA10-0A.0	890	118	94.5	95.4	95.5	95.1	0.80	0.81	0.76	0.65	11266	1.90	0.60	4.5	28	1310	o.r.
1060	1RQ7 453-8MA10-0C.0	891	118	94.6	95.4	95.6	95.1	0.81	0.82	0.78	0.67	11361	2.10	0.50	5.0	36	1870	o.r.
1100	1RQ7 454-8MA10-0A.0	890	124	94.5	95.4	95.7	95.3	0.80	0.81	0.78	0.68	11803	1.90	0.60	4.5	31	1350	o.r.
1120	1RQ7 454-8MA10-0C.0	891	126	94.7	95.5	95.7	95.3	0.82	0.82	0.79	0.70	12004	2.10	0.50	5.0	40	1860	o.r.
1220	1RQ7 457-8MA10-0A.0	891	140	95.0	95.6	95.6	95.1	0.81	0.80	0.74	0.62	13075	2.20	0.65	5.0	35	1930	o.r.
1240	1RQ7 457-8MA10-0C.0	892	138	95.1	95.7	95.7	95.1	0.82	0.82	0.76	0.65	13275	2.45	0.60	5.5	45	2400	o.r.
1300	1RQ7 458-8MA10-0A.0	892	148	95.1	95.7	95.7	95.2	0.81	0.80	0.75	0.62	13917	2.35	0.70	5.5	39	2200	o.r.
1330	1RQ7 458-8MA10-0C.0	892	148	95.2	95.8	95.8	95.2	0.82	0.82	0.77	0.65	14238	2.54	0.60	5.5	50	2450	o.r.
1400	1RQ7 502-8MA10-0A.0	894	164	95.7	96.0	96.2	95.8	0.80	0.78	0.76	0.65	14954	2.40	0.80	4.6	46	2160	o.r.
1600	1RQ7 503-8MA10-0A.0	893	180	95.7	96.3	96.4	96.1	0.81	0.81	0.78	0.68	17110	2.20	0.75	4.4	51	2290	o.r.
1750	1RQ7 503-8MA10-0C.0	893	194	95.7	96.2	96.4	96.1	0.81	0.82	0.78	0.69	18714	2.25	0.60	4.2	65	2340	o.r.
1900	1RQ7 504-8MA10-0C.0	893	210	95.9	96.3	96.5	96.2	0.82	0.82	0.79	0.70	20318	2.30	0.60	4.3	72	2810	o.r.
1800	1RQ7 504-8MA10-0A.0	893	200	95.9	96.4	96.6	96.3	0.81	0.82	0.79	0.70	19248	2.15	0.75	4.4	56	2420	o.r.
2000	1RQ7 507-8MA10-0A.0	894	225	96.0	96.4	96.5	96.1	0.81	0.81	0.76	0.65	21363	2.40	0.85	4.7	63	2730	o.r.
2100	1RQ7 507-8MA10-0C.0	893	230	96.0	96.4	96.6	96.3	0.82	0.83	0.79	0.70	22456	2.35	0.65	4.4	80	3120	o.r.

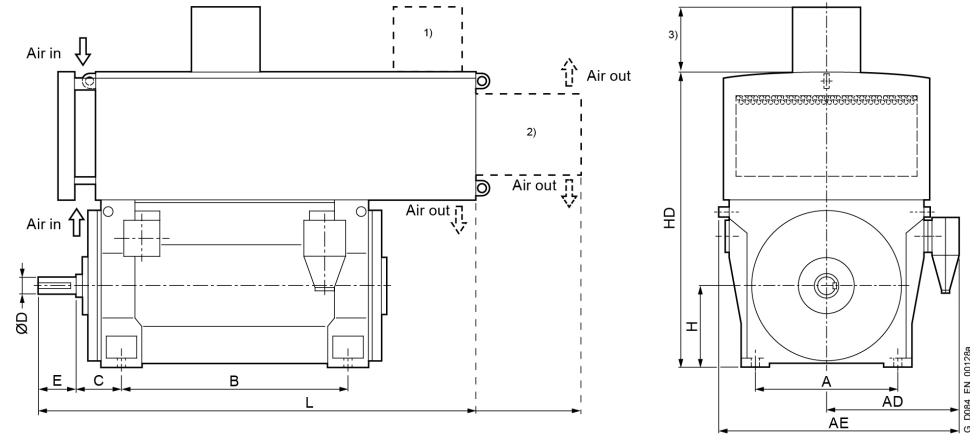
Innomotics HV M - 1RQ. IC666 6600 V / 60 Hz B3 (IM 1001)																		
Rated power IEC	Article No.	Speed	Rated current I_R	Efficiency				Power factor				Torque T_R	Breakdown torque T_B/ T_R	Locked rotor torque T_{LR}/ T_R	Locked rotor current I_{LR}/ I_R	Inertia		
				5/4 load	4/4 load	3/4 load	2/4 load	5/4 load	4/4 load	3/4 load	2/4 load					motor	external	Startup max T/TR
kW		rpm	A	%	%	%	%	$\cos \varphi$	$\cos \varphi$	$\cos \varphi$	$\cos \varphi$	Nm	[-]	[-]	[-]	kgm ²	kgm ²	[-]
2200	1RQ7 508-8MA10-0C.0	894	245	96.2	96.5	96.6	96.2	0.82	0.82	0.77	0.67	23499	2.60	0.70	4.8	88	3500	o.r.
2200	1RQ7 508-8MA10-0A.0	893	245	96.1	96.5	96.7	96.4	0.81	0.82	0.78	0.68	23526	2.30	0.85	4.6	69	2940	o.r.
2500	1RQ7 563-8MA10-0C.0	894	275	96.0	96.4	96.7	96.4	0.82	0.82	0.81	0.74	26704	2.05	0.55	4.6	124	2170	o.r.
2700	1RQ7 564-8MA10-0C.0	894	300	96.2	96.5	96.8	96.4	0.83	0.82	0.80	0.73	28840	2.20	0.60	4.9	137	2485	o.r.
3050	1RQ7 567-8MA10-0C.0	894	335	96.4	96.5	97.0	96.6	0.82	0.83	0.81	0.74	32579	2.15	0.55	4.8	150	3750	o.r.
3300	1RQ7 568-8MA10-0C.0	895	365	96.7	96.6	97.0	96.5	0.83	0.82	0.78	0.70	35210	2.50	0.65	5.5	165	4470	o.r.
4100	1RQ8 634-8MA10-0C.0	892	435	95.8	96.3	96.3	95.8	0.84	0.86	0.84	0.78	43893	1.90	0.40	4.2	251	3100	o.r.
4550	1RQ8 637-8MA10-0C.0	893	480	96.1	96.5	96.5	96.0	0.85	0.86	0.84	0.78	48655	2.05	0.40	4.5	292	3820	o.r.
4800	1RQ8 638-8MA10-0C.0	893	500	96.3	96.7	96.6	96.1	0.86	0.87	0.84	0.78	51329	2.10	0.45	4.7	326	4470	o.r.
5150	1RQ8 712-8MA10-0C.0	895	530	96.6	96.9	96.7	96.1	0.87	0.87	0.83	0.75	54948	2.45	0.55	5.3	422	3770	o.r.
5500	1RQ8 713-8MA10-0C.0	895	570	96.7	96.9	96.8	96.1	0.87	0.87	0.83	0.74	58683	2.55	0.60	5.5	472	4490	o.r.
6300	1RQ8 714-8MA10-0C.0	895	650	96.8	97.1	97.0	96.4	0.87	0.87	0.84	0.77	67219	2.40	0.50	5.2	541	4910	o.r.
6900	1RQ8 717-8MA10-0C.0	895	710	96.9	97.2	97.2	96.8	0.87	0.88	0.86	0.80	73620	2.35	0.50	5.2	620	5650	o.r.
7450	1RQ8 718-8MA10-0C.0	895	750	97.0	97.3	97.3	96.9	0.88	0.89	0.86	0.81	79489	2.35	0.50	5.2	684	6240	o.r.



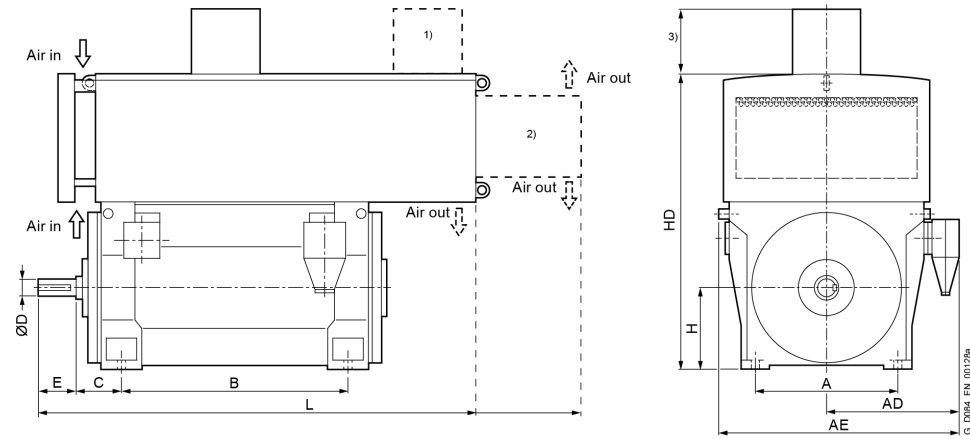
Motor type	Weight	Dimensions										
		A	AD	AE	B	C	D	E	H	HD	L	ML
	kg	mm	mm	mm	mm	mm	mm	mm	mm	mm	mm	mm
Innomotics HV M - 1RQ. IC666 6600 V / 60 Hz B3 (IM 1001) - Dimension drawings												
2-pole												
1RQ7 453-2MA10-0AA0	5100	850	925	1545	1180	250	95	130	450	3160	2640	o.r.
1RQ7 453-2MA10-0AC0	5000	850	925	1545	1180	475	95	130	450	3160	2870	o.r.
1RQ7 453-2MA10-0CA0	5200	850	925	1545	1180	250	95	130	450	3160	2640	o.r.
1RQ7 453-2MA10-0CC0	5100	850	925	1545	1180	475	95	130	450	3160	2870	o.r.
1RQ7 454-2MA10-0AA0	5200	850	925	1545	1180	250	95	130	450	3160	2640	o.r.
1RQ7 454-2MA10-0AC0	5100	850	925	1545	1180	475	95	130	450	3160	2870	o.r.
1RQ7 454-2MA10-0CA0	5300	850	925	1545	1180	250	95	130	450	3160	2640	o.r.
1RQ7 454-2MA10-0CC0	5200	850	925	1545	1180	475	95	130	450	3160	2870	o.r.
1RQ7 457-2MA10-0AA0	5550	850	925	1545	1400	250	95	130	450	3160	2850	o.r.
1RQ7 457-2MA10-0AC0	5450	850	925	1545	1400	475	95	130	450	3160	3080	o.r.
1RQ7 457-2MA10-0CA0	5650	850	925	1545	1400	250	95	130	450	3160	2850	o.r.
1RQ7 457-2MA10-0CC0	5600	850	925	1545	1400	475	95	130	450	3160	3080	o.r.
1RQ7 458-2MA10-0AA0	5700	850	925	1545	1400	250	95	130	450	3160	2850	o.r.
1RQ7 458-2MA10-0AC0	5600	850	925	1545	1400	475	95	130	450	3160	3080	o.r.
1RQ7 458-2MA10-0CA0	5850	850	925	1545	1400	250	95	130	450	3160	2850	o.r.
1RQ7 458-2MA10-0CC0	5750	850	925	1545	1400	475	95	130	450	3160	3080	o.r.
1RQ7 502-2MA10-0CA0	6400	950	1005	1705	1320	250	110	165	500	3370	2920	o.r.
1RQ7 502-2MA10-0CC0	6300	950	1005	1705	1320	530	120	165	500	3370	3200	o.r.
1RQ7 503-2MA10-0CA0	7050	950	1005	1705	1320	250	110	165	500	3370	2920	o.r.
1RQ7 503-2MA10-0CC0	7000	950	1005	1705	1320	530	120	165	500	3370	3200	o.r.
1RQ7 504-2MA10-0CA0	7150	950	1005	1705	1320	250	110	165	500	3370	2920	o.r.
1RQ7 504-2MA10-0CC0	7100	950	1005	1705	1320	530	120	165	500	3370	3200	o.r.



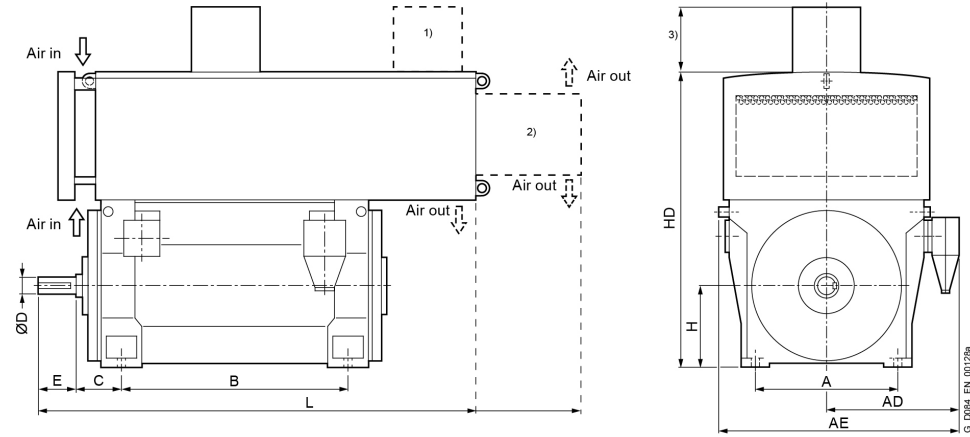
Motor type	Weight	Dimensions												
		A	AD	AE	B	C	D	E	H	HD	L	ML		
	kg	mm	mm	mm	mm	mm	mm	mm	mm	mm	mm	mm	mm	
Innomotics HV M - 1RQ. IC666 6600 V / 60 Hz B3 (IM 1001) - Dimension drawings														
1RQ7 507-2MA10-OCA0	7850	950	1005	1705	1500	250	110	165	500	3370	3130	o.r.		
1RQ7 507-2MA10-OCC0	7750	950	1005	1705	1500	530	120	165	500	3370	3410	o.r.		
1RQ7 508-2MA10-OCA0	8150	950	1005	1705	1500	250	110	165	500	3370	3130	o.r.		
1RQ7 508-2MA10-OCC0	8100	950	1005	1705	1500	530	120	165	500	3370	3410	o.r.		
1RQ7 562-2MA10-OCC0	8750	1060	1290	2060	1400	600	150	200	560	3650	3440	o.r.		
1RQ7 563-2MA10-OCC0	8950	1060	1290	2060	1400	600	150	200	560	3650	3440	o.r.		
1RQ7 564-2MA10-OCC0	9250	1060	1290	2060	1400	600	150	200	560	3650	3440	o.r.		
1RQ7 567-2MA10-OCC0	10100	1060	1290	2060	1600	600	150	200	560	3650	3670	o.r.		
1RQ7 568-2MA10-OCC0	10700	1060	1290	2060	1600	600	150	200	560	3650	3670	o.r.		
1RQ8 632-2MA10-0CJ0	10950	1320	1520	2520	1600	560	160	240	630	4400	4060	o.r.		
1RQ8 633-2MA10-0CJ0	11450	1320	1520	2520	1600	560	160	240	630	4400	4060	o.r.		
1RQ8 634-2MA10-0CJ0	11950	1320	1520	2520	1600	560	160	240	630	4400	4060	o.r.		
1RQ8 637-2MA10-0CJ0	12900	1320	1520	2520	1800	560	160	240	630	4400	4260	o.r.		
1RQ8 638-2MA10-0CJ0	13550	1320	1520	2520	1800	560	160	240	630	4400	4260	o.r.		
1RQ8 712-2MA10-0CJ0	14850	1500	1620	2720	2000	560	180	240	710	4290	4070	o.r.		
1RQ8 713-2MA10-0CJ0	15450	1500	1620	2720	2000	560	180	240	710	4290	4070	o.r.		
1RQ8 714-2MA10-0CJ0	16200	1500	1620	2720	2000	560	180	240	710	4290	4070	o.r.		
1RQ8 716-2MA10-0CJ0	17350	1500	1620	2720	2240	560	180	240	710	4290	4310	o.r.		
1RQ8 717-2MA10-0CJ0	18150	1500	1620	2720	2240	560	180	240	710	4290	4310	o.r.		
4-pole														
1RQ7 453-4MA10-0AA0	5050	850	925	1545	1180	250	130	200	450	3160	2710	o.r.		
1RQ7 453-4MA10-0AC0	5050	850	925	1545	1180	500	130	200	450	3160	2960	o.r.		
1RQ7 453-4MA10-0CA0	5200	850	925	1545	1180	250	130	200	450	3160	2710	o.r.		



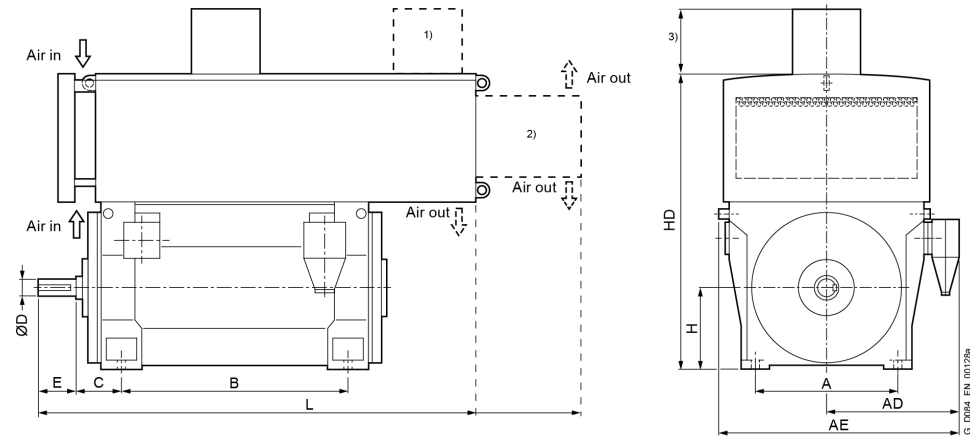
Motor type	Weight kg	Dimensions										
		A mm	AD mm	AE mm	B mm	C mm	D mm	E mm	H mm	HD mm	L mm	ML mm
Innomotics HV M - 1RQ. IC666 6600 V / 60 Hz B3 (IM 1001) - Dimension drawings												
1RQ7 453-4MA10-0CC0	5200	850	925	1545	1180	500	130	200	450	3160	2960	o.r.
1RQ7 454-4MA10-0CA0	5400	850	925	1545	1180	250	130	200	450	3160	2710	o.r.
1RQ7 454-4MA10-0CC0	5450	850	925	1545	1180	500	130	200	450	3160	2960	o.r.
1RQ7 454-4MA10-0AA0	5200	850	925	1545	1180	250	130	200	450	3160	2710	o.r.
1RQ7 454-4MA10-0AC0	5250	850	925	1545	1180	500	130	200	450	3160	2960	o.r.
1RQ7 457-4MA10-0CA0	6000	850	925	1545	1400	250	130	200	450	3160	2920	o.r.
1RQ7 457-4MA10-0CC0	6000	850	925	1545	1400	500	130	200	450	3160	3170	o.r.
1RQ7 457-4MA10-0AA0	5850	850	925	1545	1400	250	130	200	450	3160	2920	o.r.
1RQ7 457-4MA10-0AC0	5850	850	925	1545	1400	500	130	200	450	3160	3170	o.r.
1RQ7 458-4MA10-0CA0	6200	850	925	1545	1400	250	130	200	450	3160	2920	o.r.
1RQ7 458-4MA10-0CC0	6250	850	925	1545	1400	500	130	200	450	3160	3170	o.r.
1RQ7 458-4MA10-0AA0	6050	850	925	1545	1400	250	130	200	450	3160	2920	o.r.
1RQ7 458-4MA10-0AC0	6100	850	925	1545	1400	500	130	200	450	3160	3170	o.r.
1RQ7 503-4MA10-0AA0	7150	950	1005	1705	1320	315	160	240	500	3370	3060	o.r.
1RQ7 503-4MA10-0AC0	7250	950	1005	1705	1320	560	170	240	500	3370	3300	o.r.
1RQ7 503-4MA10-0CA0	7300	950	1005	1705	1320	315	160	240	500	3370	3060	o.r.
1RQ7 503-4MA10-0CC0	7400	950	1005	1705	1320	560	170	240	500	3370	3300	o.r.
1RQ7 504-4MA10-0AA0	7450	950	1005	1705	1320	315	160	240	500	3370	3060	o.r.
1RQ7 504-4MA10-0AC0	7550	950	1005	1705	1320	560	170	240	500	3370	3300	o.r.
1RQ7 504-4MA10-0CA0	7600	950	1005	1705	1320	315	160	240	500	3370	3060	o.r.
1RQ7 504-4MA10-0CC0	7700	950	1005	1705	1320	560	170	240	500	3370	3300	o.r.
1RQ7 507-4MA10-0CA0	8300	950	1005	1705	1500	315	160	240	500	3370	3270	o.r.
1RQ7 507-4MA10-0CC0	8350	950	1005	1705	1500	560	170	240	500	3370	3510	o.r.



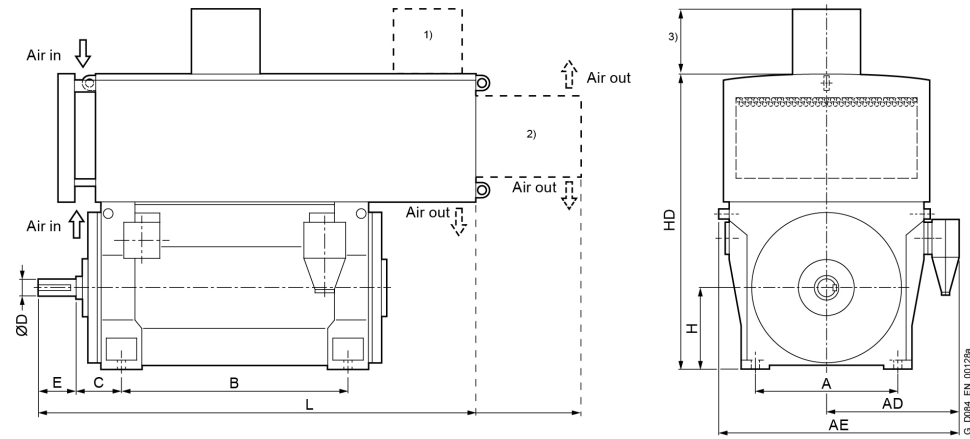
Motor type	Weight	Dimensions										
		A	AD	AE	B	C	D	E	H	HD	L	ML
	kg	mm	mm	mm	mm	mm	mm	mm	mm	mm	mm	mm
Innomotics HV M - 1RQ. IC666 6600 V / 60 Hz B3 (IM 1001) - Dimension drawings												
1RQ7 507-4MA10-0AA0	8100	950	1005	1705	1500	315	160	240	500	3370	3270	o.r.
1RQ7 507-4MA10-0AC0	8200	950	1005	1705	1500	560	170	240	500	3370	3510	o.r.
1RQ7 508-4MA10-0AA0	8500	950	1005	1705	1500	315	160	240	500	3370	3270	o.r.
1RQ7 508-4MA10-0AC0	8550	950	1005	1705	1500	560	170	240	500	3370	3510	o.r.
1RQ7 508-4MA10-0CA0	8650	950	1005	1705	1500	315	160	240	500	3370	3270	o.r.
1RQ7 508-4MA10-0CC0	8750	950	1005	1705	1500	560	170	240	500	3370	3510	o.r.
1RQ7 563-4MA10-0CA0	9000	1060	1290	2060	1400	335	190	280	560	3650	3250	o.r.
1RQ7 563-4MA10-0CC0	9100	1060	1290	2060	1400	600	190	280	560	3650	3520	o.r.
1RQ7 564-4MA10-0CA0	9500	1060	1290	2060	1400	335	190	280	560	3650	3250	o.r.
1RQ7 564-4MA10-0CC0	9550	1060	1290	2060	1400	600	190	280	560	3650	3520	o.r.
1RQ7 566-4MA10-0CA0	10400	1060	1290	2060	1600	335	190	280	560	3650	3480	o.r.
1RQ7 566-4MA10-0CC0	10450	1060	1290	2060	1600	600	190	280	560	3650	3750	o.r.
1RQ7 567-4MA10-0CA0	10850	1060	1290	2060	1600	335	190	280	560	3650	3480	o.r.
1RQ7 567-4MA10-0CC0	10950	1060	1290	2060	1600	600	190	280	560	3650	3750	o.r.
1RQ7 568-4MA10-0CA0	11300	1060	1290	2060	1600	335	190	280	560	3650	3480	o.r.
1RQ7 568-4MA10-0CC0	11400	1060	1290	2060	1600	600	190	280	560	3650	3750	o.r.
1RQ8 633-4MA10-0CG0	12050	1320	1520	2520	1600	375	200	280	630	4400	3920	o.r.
1RQ8 633-4MA10-0CJ0	12150	1320	1520	2520	1600	630	200	280	630	4400	4170	o.r.
1RQ8 634-4MA10-0CG0	12650	1320	1520	2520	1600	375	200	280	630	4400	3920	o.r.
1RQ8 634-4MA10-0CJ0	12750	1320	1520	2520	1600	630	200	280	630	4400	4170	o.r.
1RQ8 637-4MA10-0CG0	13450	1320	1520	2520	1800	375	200	280	630	4400	4120	o.r.
1RQ8 637-4MA10-0CJ0	13550	1320	1520	2520	1800	630	200	280	630	4400	4370	o.r.
1RQ8 638-4MA10-0CG0	14150	1320	1520	2520	1800	375	200	280	630	4400	4120	o.r.



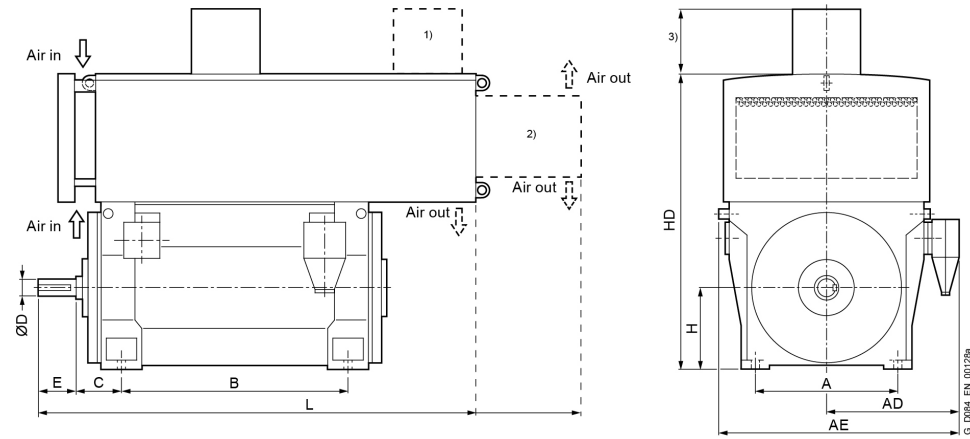
Motor type	Weight	Dimensions										
		A	AD	AE	B	C	D	E	H	HD	L	ML
	kg	mm	mm	mm	mm	mm	mm	mm	mm	mm	mm	mm
Innomotics HV M - 1RQ. IC666 6600 V / 60 Hz B3 (IM 1001) - Dimension drawings												
1RQ8 638-4MA10-0CJ0	14300	1320	1520	2520	1800	630	200	280	630	4400	4370	o.r.
1RQ8 712-4MA10-0CG0	15900	1500	1620	2720	2000	375	220	280	710	4290	3920	o.r.
1RQ8 712-4MA10-0CJ0	16050	1500	1620	2720	2000	630	220	280	710	4290	4180	o.r.
1RQ8 713-4MA10-0CG0	16600	1500	1620	2720	2000	375	220	280	710	4290	3920	o.r.
1RQ8 713-4MA10-0CJ0	16700	1500	1620	2720	2000	630	220	280	710	4290	4180	o.r.
1RQ8 714-4MA10-0CG0	17400	1500	1620	2720	2000	375	220	280	710	4290	3920	o.r.
1RQ8 714-4MA10-0CJ0	17550	1500	1620	2720	2000	630	220	280	710	4290	4180	o.r.
1RQ8 717-4MA10-0CG0	18750	1500	1620	2720	2240	375	220	280	710	4290	4160	o.r.
1RQ8 717-4MA10-0CJ0	18900	1500	1620	2720	2240	630	220	280	710	4290	4420	o.r.
1RQ8 718-4MA10-0CG0	19300	1500	1620	2720	2240	375	220	280	710	4290	4160	o.r.
1RQ8 718-4MA10-0CJ0	19450	1500	1620	2720	2240	630	220	280	710	4290	4420	o.r.
6-pole												
1RQ7 452-6MA10-0AA0	4900	850	925	1545	1180	250	130	200	450	3160	2710	o.r.
1RQ7 452-6MA10-0AC0	4950	850	925	1545	1180	500	130	200	450	3160	2960	o.r.
1RQ7 453-6MA10-0AA0	5050	850	925	1545	1180	250	130	200	450	3160	2710	o.r.
1RQ7 453-6MA10-0AC0	5100	850	925	1545	1180	500	130	200	450	3160	2960	o.r.
1RQ7 453-6MA10-0CA0	5250	850	925	1545	1180	250	130	200	450	3160	2710	o.r.
1RQ7 453-6MA10-0CC0	5250	850	925	1545	1180	500	130	200	450	3160	2960	o.r.
1RQ7 454-6MA10-0AA0	5250	850	925	1545	1180	250	130	200	450	3160	2710	o.r.
1RQ7 454-6MA10-0AC0	5250	850	925	1545	1180	500	130	200	450	3160	2960	o.r.
1RQ7 454-6MA10-0CA0	5400	850	925	1545	1180	250	130	200	450	3160	2710	o.r.
1RQ7 454-6MA10-0CC0	5450	850	925	1545	1180	500	130	200	450	3160	2960	o.r.
1RQ7 457-6MA10-0AA0	5700	850	925	1545	1400	250	130	200	450	3160	2920	o.r.



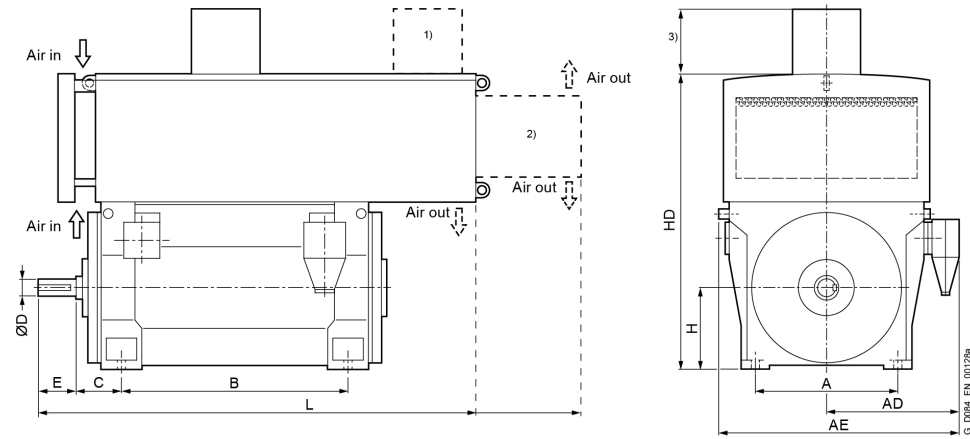
Motor type	Weight kg	Dimensions										
		A mm	AD mm	AE mm	B mm	C mm	D mm	E mm	H mm	HD mm	L mm	ML mm
Innomotics HV M - 1RQ. IC666 6600 V / 60 Hz B3 (IM 1001) - Dimension drawings												
1RQ7 457-6MA10-0AC0	5750	850	925	1545	1400	500	130	200	450	3160	3170	o.r.
1RQ7 457-6MA10-0CA0	5900	850	925	1545	1400	250	130	200	450	3160	2920	o.r.
1RQ7 457-6MA10-0CC0	5900	850	925	1545	1400	500	130	200	450	3160	3170	o.r.
1RQ7 458-6MA10-0AA0	6000	850	925	1545	1400	250	130	200	450	3160	2920	o.r.
1RQ7 458-6MA10-0AC0	6000	850	925	1545	1400	500	130	200	450	3160	3170	o.r.
1RQ7 458-6MA10-0CA0	6200	850	925	1545	1400	250	130	200	450	3160	2920	o.r.
1RQ7 458-6MA10-0CC0	6200	850	925	1545	1400	500	130	200	450	3160	3170	o.r.
1RQ7 502-6MA10-0AA0	6900	950	1005	1705	1320	315	160	240	500	3370	3060	o.r.
1RQ7 502-6MA10-0AC0	6950	950	1005	1705	1320	560	170	240	500	3370	3300	o.r.
1RQ7 502-6MA10-0CA0	7100	950	1005	1705	1320	315	160	240	500	3370	3060	o.r.
1RQ7 502-6MA10-0CC0	7200	950	1005	1705	1320	560	170	240	500	3370	3300	o.r.
1RQ7 503-6MA10-0AA0	7150	950	1005	1705	1320	315	160	240	500	3370	3060	o.r.
1RQ7 503-6MA10-0AC0	7200	950	1005	1705	1320	560	170	240	500	3370	3300	o.r.
1RQ7 503-6MA10-0CA0	7350	950	1005	1705	1320	315	160	240	500	3370	3060	o.r.
1RQ7 503-6MA10-0CC0	7450	950	1005	1705	1320	560	170	240	500	3370	3300	o.r.
1RQ7 504-6MA10-0AA0	7450	950	1005	1705	1320	315	160	240	500	3370	3060	o.r.
1RQ7 504-6MA10-0AC0	7500	950	1005	1705	1320	560	170	240	500	3370	3300	o.r.
1RQ7 504-6MA10-0CA0	7650	950	1005	1705	1320	315	160	240	500	3370	3060	o.r.
1RQ7 504-6MA10-0CC0	7700	950	1005	1705	1320	560	170	240	500	3370	3300	o.r.
1RQ7 507-6MA10-0AA0	8150	950	1005	1705	1500	315	160	240	500	3370	3270	o.r.
1RQ7 507-6MA10-0AC0	8200	950	1005	1705	1500	560	170	240	500	3370	3510	o.r.
1RQ7 507-6MA10-0CA0	8400	950	1005	1705	1500	315	160	240	500	3370	3270	o.r.
1RQ7 507-6MA10-0CC0	8450	950	1005	1705	1500	560	170	240	500	3370	3510	o.r.



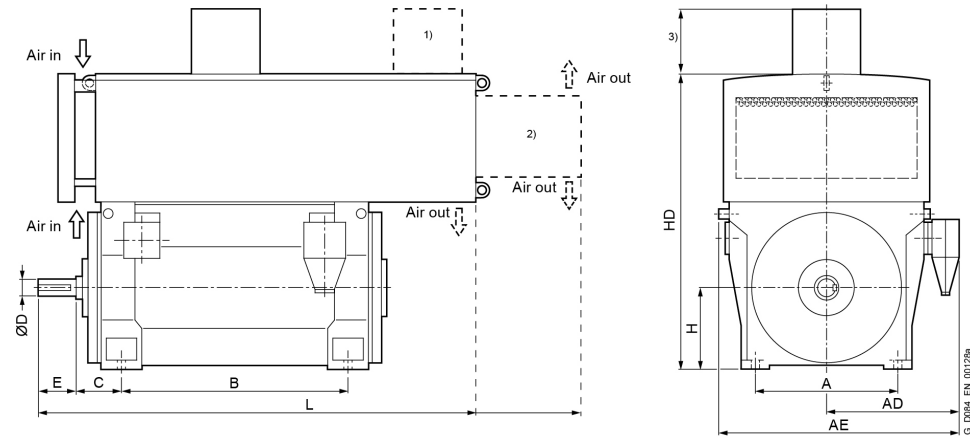
Motor type	Weight	Dimensions										
		A	AD	AE	B	C	D	E	H	HD	L	ML
	kg	mm	mm	mm	mm	mm	mm	mm	mm	mm	mm	mm
Innomotics HV M - 1RQ. IC666 6600 V / 60 Hz B3 (IM 1001) - Dimension drawings												
1RQ7 508-6MA10-0AA0	8450	950	1005	1705	1500	315	160	240	500	3370	3270	o.r.
1RQ7 508-6MA10-0AC0	8500	950	1005	1705	1500	560	170	240	500	3370	3510	o.r.
1RQ7 561-6MA10-0CA0	9050	1060	1290	2060	1400	335	190	280	560	3650	3250	o.r.
1RQ7 561-6MA10-0CC0	9100	1060	1290	2060	1400	600	190	280	560	3650	3520	o.r.
1RQ7 563-6MA10-0CA0	9650	1060	1290	2060	1400	335	190	280	560	3650	3250	o.r.
1RQ7 563-6MA10-0CC0	9750	1060	1290	2060	1400	600	190	280	560	3650	3520	o.r.
1RQ7 567-6MA10-0CA0	10900	1060	1290	2060	1600	335	190	280	560	3650	3480	o.r.
1RQ7 567-6MA10-0CC0	10950	1060	1290	2060	1600	600	190	280	560	3650	3750	o.r.
1RQ7 568-6MA10-0CA0	11550	1060	1290	2060	1600	335	190	280	560	3650	3480	o.r.
1RQ7 568-6MA10-0CC0	11600	1060	1290	2060	1600	600	190	280	560	3650	3750	o.r.
1RQ8 632-6MA10-0CG0	11900	1320	1520	2520	1600	375	200	280	630	4320	3920	o.r.
1RQ8 632-6MA10-0CJ0	12000	1320	1520	2520	1600	630	200	280	630	4320	4170	o.r.
1RQ8 633-6MA10-0CG0	12400	1320	1520	2520	1600	375	200	280	630	4320	3920	o.r.
1RQ8 633-6MA10-0CJ0	12550	1320	1520	2520	1600	630	200	280	630	4320	4170	o.r.
1RQ8 634-6MA10-0CG0	12900	1320	1520	2520	1600	375	200	280	630	4320	3920	o.r.
1RQ8 634-6MA10-0CJ0	13000	1320	1520	2520	1600	630	200	280	630	4320	4170	o.r.
1RQ8 637-6MA10-0CG0	13800	1320	1520	2520	1800	375	200	280	630	4320	4120	o.r.
1RQ8 637-6MA10-0CJ0	13900	1320	1520	2520	1800	630	200	280	630	4320	4370	o.r.
1RQ8 638-6MA10-0CG0	14300	1320	1520	2520	1800	375	200	280	630	4320	4120	o.r.
1RQ8 638-6MA10-0CJ0	14400	1320	1520	2520	1800	630	200	280	630	4320	4370	o.r.
1RQ8 712-6MA10-0CG0	15800	1500	1620	2720	2000	375	220	280	710	4290	3920	o.r.
1RQ8 712-6MA10-0CJ0	15950	1500	1620	2720	2000	630	220	280	710	4290	4180	o.r.
1RQ8 713-6MA10-0CG0	16800	1500	1620	2720	2000	375	220	280	710	4290	3920	o.r.



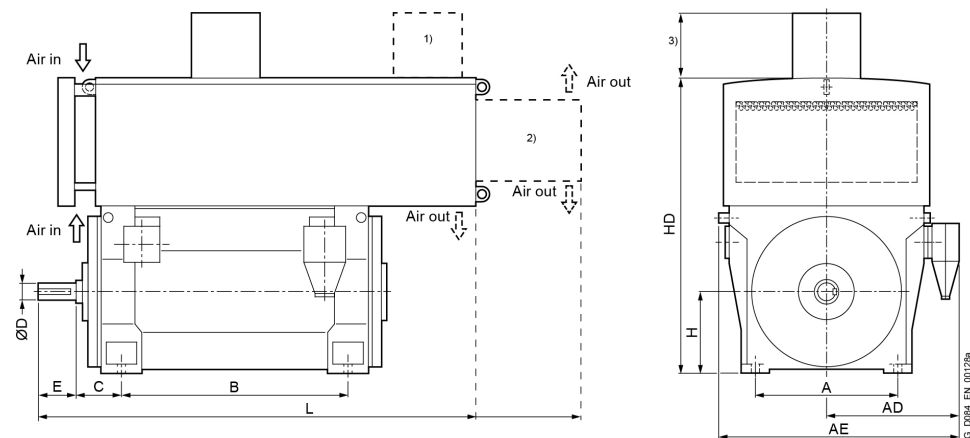
Motor type	Weight	Dimensions										
		A	AD	AE	B	C	D	E	H	HD	L	ML
	kg	mm	mm	mm	mm	mm	mm	mm	mm	mm	mm	mm
Innomotics HV M - 1RQ. IC666 6600 V / 60 Hz B3 (IM 1001) - Dimension drawings												
1RQ8 713-6MA10-0CJ0	16950	1500	1620	2720	2000	630	220	280	710	4290	4180	o.r.
1RQ8 714-6MA10-0CG0	17800	1500	1620	2720	2000	375	220	280	710	4290	3920	o.r.
1RQ8 714-6MA10-0CJ0	17950	1500	1620	2720	2000	630	220	280	710	4290	4180	o.r.
1RQ8 717-6MA10-0CG0	19450	1500	1620	2720	2240	375	220	280	710	4290	4160	o.r.
1RQ8 717-6MA10-0CJ0	19600	1500	1620	2720	2240	630	220	280	710	4290	4420	o.r.
1RQ8 718-6MA10-0CG0	20350	1500	1620	2720	2240	375	220	280	710	4290	4160	o.r.
1RQ8 718-6MA10-0CJ0	20500	1500	1620	2720	2240	630	220	280	710	4290	4420	o.r.
8-pole												
1RQ7 452-8MA10-0AA0	5050	850	925	1545	1180	250	130	200	450	3160	2710	o.r.
1RQ7 452-8MA10-0AC0	5100	850	925	1545	1180	500	130	200	450	3160	2960	o.r.
1RQ7 452-8MA10-0CA0	5200	850	925	1545	1180	250	130	200	450	3160	2710	o.r.
1RQ7 452-8MA10-0CC0	5250	850	925	1545	1180	500	130	200	450	3160	2960	o.r.
1RQ7 453-8MA10-0AA0	5250	850	925	1545	1180	250	130	200	450	3160	2710	o.r.
1RQ7 453-8MA10-0AC0	5300	850	925	1545	1180	500	130	200	450	3160	2960	o.r.
1RQ7 453-8MA10-0CA0	5400	850	925	1545	1180	250	130	200	450	3160	2710	o.r.
1RQ7 453-8MA10-0CC0	5450	850	925	1545	1180	500	130	200	450	3160	2960	o.r.
1RQ7 454-8MA10-0AA0	5450	850	925	1545	1180	250	130	200	450	3160	2710	o.r.
1RQ7 454-8MA10-0AC0	5500	850	925	1545	1180	500	130	200	450	3160	2960	o.r.
1RQ7 454-8MA10-0CA0	5650	850	925	1545	1180	250	130	200	450	3160	2710	o.r.
1RQ7 454-8MA10-0CC0	5650	850	925	1545	1180	500	130	200	450	3160	2960	o.r.
1RQ7 457-8MA10-0AA0	6000	850	925	1545	1400	250	130	200	450	3160	2920	o.r.
1RQ7 457-8MA10-0AC0	6000	850	925	1545	1400	500	130	200	450	3160	3170	o.r.
1RQ7 457-8MA10-0CA0	6150	850	925	1545	1400	250	130	200	450	3160	2920	o.r.



Motor type	Weight kg	Dimensions										
		A mm	AD mm	AE mm	B mm	C mm	D mm	E mm	H mm	HD mm	L mm	ML mm
Innomotics HV M - 1RQ. IC666 6600 V / 60 Hz B3 (IM 1001) - Dimension drawings												
1RQ7 457-8MA10-0CC0	6200	850	925	1545	1400	500	130	200	450	3160	3170	o.r.
1RQ7 458-8MA10-0AA0	6250	850	925	1545	1400	250	130	200	450	3160	2920	o.r.
1RQ7 458-8MA10-0AC0	6300	850	925	1545	1400	500	130	200	450	3160	3170	o.r.
1RQ7 458-8MA10-0CA0	6450	850	925	1545	1400	250	130	200	450	3160	2920	o.r.
1RQ7 458-8MA10-0CC0	6500	850	925	1545	1400	500	130	200	450	3160	3170	o.r.
1RQ7 502-8MA10-0AA0	6900	950	1005	1705	1320	315	160	240	500	3370	3060	o.r.
1RQ7 502-8MA10-0AC0	6950	950	1005	1705	1320	560	170	240	500	3370	3300	o.r.
1RQ7 503-8MA10-0AA0	7200	950	1005	1705	1320	315	160	240	500	3370	3060	o.r.
1RQ7 503-8MA10-0AC0	7250	950	1005	1705	1320	560	170	240	500	3370	3300	o.r.
1RQ7 503-8MA10-0CA0	7400	950	1005	1705	1320	315	160	240	500	3370	3060	o.r.
1RQ7 503-8MA10-0CC0	7450	950	1005	1705	1320	560	170	240	500	3370	3300	o.r.
1RQ7 504-8MA10-0CA0	7700	950	1005	1705	1320	315	160	240	500	3370	3060	o.r.
1RQ7 504-8MA10-0CC0	7750	950	1005	1705	1320	560	170	240	500	3370	3300	o.r.
1RQ7 504-8MA10-0AA0	7500	950	1005	1705	1320	315	160	240	500	3370	3060	o.r.
1RQ7 504-8MA10-0AC0	7550	950	1005	1705	1320	560	170	240	500	3370	3300	o.r.
1RQ7 507-8MA10-0AA0	8150	950	1005	1705	1500	315	160	240	500	3370	3270	o.r.
1RQ7 507-8MA10-0AC0	8200	950	1005	1705	1500	560	170	240	500	3370	3510	o.r.
1RQ7 507-8MA10-0CA0	8400	950	1005	1705	1500	315	160	240	500	3370	3270	o.r.
1RQ7 507-8MA10-0CC0	8450	950	1005	1705	1500	560	170	240	500	3370	3510	o.r.
1RQ7 508-8MA10-0CA0	8750	950	1005	1705	1500	315	160	240	500	3370	3270	o.r.
1RQ7 508-8MA10-0CC0	8800	950	1005	1705	1500	560	170	240	500	3370	3510	o.r.
1RQ7 508-8MA10-0AA0	8500	950	1005	1705	1500	315	160	240	500	3370	3270	o.r.
1RQ7 508-8MA10-0AC0	8550	950	1005	1705	1500	560	170	240	500	3370	3510	o.r.



Motor type	Weight	Dimensions										
		A	AD	AE	B	C	D	E	H	HD	L	ML
	kg	mm	mm	mm	mm	mm	mm	mm	mm	mm	mm	mm
Innomotics HV M - 1RQ. IC666 6600 V / 60 Hz B3 (IM 1001) - Dimension drawings												
1RQ7 563-8MA10-OCA0	9400	1060	1075	1845	1400	335	190	280	560	3650	3250	o.r.
1RQ7 563-8MA10-OCC0	9500	1060	1075	1845	1400	600	190	280	560	3650	3520	o.r.
1RQ7 564-8MA10-OCA0	9850	1060	1075	1845	1400	335	190	280	560	3650	3250	o.r.
1RQ7 564-8MA10-OCC0	9950	1060	1075	1845	1400	600	190	280	560	3650	3520	o.r.
1RQ7 567-8MA10-OCA0	10800	1060	1075	1845	1600	335	190	280	560	3650	3480	o.r.
1RQ7 567-8MA10-OCC0	10850	1060	1075	1845	1600	600	190	280	560	3650	3750	o.r.
1RQ7 568-8MA10-OCA0	11250	1060	1075	1845	1600	335	190	280	560	3650	3480	o.r.
1RQ7 568-8MA10-OCC0	11350	1060	1075	1845	1600	600	190	280	560	3650	3750	o.r.
1RQ8 634-8MA10-OCG0	11950	1320	1520	2520	1600	375	200	280	630	4320	3920	o.r.
1RQ8 634-8MA10-OCJ0	12050	1320	1520	2520	1600	630	200	280	630	4320	4170	o.r.
1RQ8 637-8MA10-OCG0	13200	1320	1520	2520	1800	375	200	280	630	4320	4120	o.r.
1RQ8 637-8MA10-OCJ0	13300	1320	1520	2520	1800	630	200	280	630	4320	4370	o.r.
1RQ8 638-8MA10-OCG0	13900	1320	1520	2520	1800	375	200	280	630	4320	4120	o.r.
1RQ8 638-8MA10-OCJ0	14000	1320	1520	2520	1800	630	200	280	630	4320	4370	o.r.
1RQ8 712-8MA10-OCG0	15100	1500	1620	2720	2000	375	220	280	710	4210	3920	o.r.
1RQ8 712-8MA10-OCJ0	15300	1500	1620	2720	2000	630	220	280	710	4210	4180	o.r.
1RQ8 713-8MA10-OCG0	15900	1500	1620	2720	2000	375	220	280	710	4210	3920	o.r.
1RQ8 713-8MA10-OCJ0	16100	1500	1620	2720	2000	630	220	280	710	4210	4180	o.r.
1RQ8 714-8MA10-OCG0	17050	1500	1620	2720	2000	375	220	280	710	4210	3920	o.r.
1RQ8 714-8MA10-OCJ0	17250	1500	1620	2720	2000	630	220	280	710	4210	4180	o.r.
1RQ8 717-8MA10-OCG0	18750	1500	1620	2720	2240	375	220	280	710	4210	4160	o.r.
1RQ8 717-8MA10-OCJ0	18950	1500	1620	2720	2240	630	220	280	710	4210	4420	o.r.
1RQ8 718-8MA10-OCG0	19850	1500	1620	2720	2240	375	220	280	710	4210	4160	o.r.



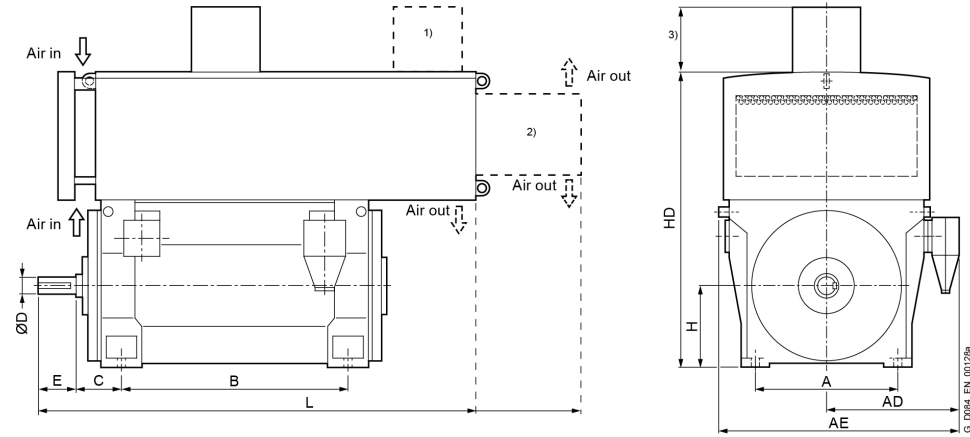
Motor type	Weight	Dimensions											
		A	AD	AE	B	C	D	E	H	HD	L	ML	
	kg	mm	mm	mm	mm	mm	mm	mm	mm	mm	mm	mm	mm
Innomotics HV M - 1RQ. IC666 6600 V / 60 Hz B3 (IM 1001) - Dimension drawings													
1RQ8 718-8MA10-0CJ0	20050	1500	1620	2720	2240	630	220	280	710	4210	4420	o.r.	

Innomotics HV M - 1RQ. IC666 10000 V / 50 Hz B3 (IM 1001)																					
Rated power IEC	Article No.	Speed	Rated current				Efficiency				Power factor				Torque	Breakdown torque	Locked rotor torque	Locked rotor current	Inertia		
			I_R	5/4 load	4/4 load	3/4 load	2/4 load	5/4 load	4/4 load	3/4 load	2/4 load	5/4 load	4/4 load	3/4 load					2/4 load	T_R	T_B/ T_R
kW		rpm	A	%	%	%	%	cos φ	cos φ	cos φ	cos φ	Nm	[-]	[-]	[-]	kgm ²	kgm ²	[-]			
2-pole: n_{sync} = 3000 rpm at 50 Hz																					
1260	1RQ7 453-2MA80-0A.2	2979	85	95.2	95.7	95.8	95.1	0.88	0.89	0.88	0.82	4040	2.40	0.55	5.8	10	60	o.r.			
1280	1RQ7 453-2MA80-0C.2	2981	87	95.3	95.7	95.8	95.2	0.88	0.89	0.89	0.84	4103	2.45	0.60	5.5	14	100	o.r.			
1400	1RQ7 454-2MA80-0C.2	2981	94	95.5	95.8	95.8	95.1	0.89	0.90	0.89	0.84	4485	2.60	0.65	6.0	15	100	o.r.			
1400	1RQ7 454-2MA80-0A.2	2979	94	95.2	95.8	96.0	95.6	0.88	0.90	0.89	0.86	4493	2.40	0.55	5.8	11	60	o.r.			
1600	1RQ7 457-2MA80-0A.2	2980	106	95.6	96.0	96.1	95.5	0.89	0.90	0.89	0.84	5129	2.60	0.60	5.8	12	70	o.r.			
1600	1RQ7 457-2MA80-0C.2	2981	106	95.6	96.0	96.1	95.5	0.89	0.90	0.90	0.86	5128	2.60	0.65	6.0	16	120	o.r.			
1800	1RQ7 458-2MA80-0A.2	2980	120	95.8	96.2	96.3	95.8	0.89	0.90	0.89	0.85	5770	2.70	0.60	6.0	13	70	o.r.			
1800	1RQ7 458-2MA80-0C.2	2981	120	95.8	96.2	96.3	95.8	0.90	0.90	0.90	0.86	5768	2.65	0.65	6.0	18	120	o.r.			
1920	1RQ7 503-2MA80-0A.2	2973	130	95.6	96.1	96.3	96.0	0.88	0.89	0.89	0.85	6168	2.60	0.50	5.0	15	60	o.r.			
2000	1RQ7 503-2MA80-0C.2	2978	134	95.8	96.2	96.4	96.1	0.89	0.89	0.89	0.86	6419	2.45	0.55	4.7	20	142	o.r.			
2000	1RQ7 504-2MA80-0A.2	2975	134	95.8	96.2	96.4	96.0	0.89	0.89	0.88	0.84	6420	2.85	0.70	5.6	15	66	o.r.			
2100	1RQ7 504-2MA80-0C.2	2979	140	96.0	96.3	96.5	96.1	0.90	0.90	0.90	0.86	6735	2.65	0.70	5.1	21	142	o.r.			
2240	1RQ7 507-2MA80-0A.2	2976	150	96.1	96.4	96.7	96.4	0.90	0.90	0.90	0.86	7189	2.85	0.70	5.8	18	78	o.r.			
2360	1RQ7 507-2MA80-0C.2	2979	156	96.2	96.6	96.8	96.5	0.91	0.91	0.91	0.88	7568	2.65	0.70	5.3	24	156	o.r.			
2640	1RQ7 508-2MA80-0C.2	2980	172	96.4	96.8	97.0	96.7	0.91	0.92	0.92	0.88	8462	2.75	0.75	5.7	27	164	o.r.			
2500	1RQ7 508-2MA80-0A.2	2975	164	96.3	96.7	97.0	96.8	0.91	0.91	0.91	0.88	8026	2.75	0.80	5.7	20	84	o.r.			
2950	1RQ7 562-2MA80-0CC2	2986	194	96.3	96.3	96.1	95.2	0.91	0.91	0.89	0.84	9437	2.95	0.80	6.0	41	230	o.r.			
3300	1RQ7 563-2MA80-0CC2	2984	215	96.4	96.5	96.4	95.8	0.91	0.91	0.90	0.86	10565	2.55	0.65	5.9	44	260	o.r.			
3750	1RQ7 564-2MA80-0CC2	2986	245	96.3	96.3	96.0	95.1	0.92	0.91	0.90	0.85	11996	2.95	0.75	6.0	47	265	o.r.			
4250	1RQ7 567-2MA80-0CC2	2985	275	96.6	96.5	96.4	95.7	0.92	0.92	0.91	0.87	13600	2.75	0.70	5.7	52	295	o.r.			
4600	1RQ7 568-2MA80-0CC2	2987	300	96.8	96.7	96.5	95.8	0.93	0.92	0.91	0.86	14709	3.10	0.75	6.4	58	320	o.r.			
5100	1RQ8 633-2MA80-0CJ0	2981	345	96.1	96.5	96.3	95.5	0.86	0.89	0.90	0.89	16337	2.00	0.55	4.7	82	280	o.r.			
5600	1RQ8 634-2MA80-0CJ2	2983	370	96.4	96.7	96.5	95.6	0.88	0.90	0.90	0.90	17927	2.15	0.60	5.1	90	290	o.r.			
6200	1RQ8 637-2MA80-0CJ0	2984	405	96.6	96.9	96.6	95.8	0.89	0.91	0.91	0.90	19841	2.35	0.65	5.6	99	300	o.r.			
6850	1RQ8 638-2MA80-0CJ0	2985	450	96.8	97.1	96.8	96.1	0.89	0.91	0.91	0.90	21914	2.40	0.60	5.7	107	310	o.r.			
7150	1RQ8 712-2MA80-0CJ0	2988	475	96.4	96.5	96.2	95.1	0.87	0.90	0.89	0.88	22851	2.20	0.50	5.2	149	250	o.r.			
8050	1RQ8 713-2MA80-0CJ0	2987	530	96.7	96.8	96.5	95.6	0.89	0.91	0.90	0.89	25735	2.20	0.60	5.2	160	220	o.r.			
8250	1RQ8 714-2MA80-0CJ0	2988	540	96.8	96.9	96.6	95.7	0.88	0.91	0.91	0.89	26366	2.15	0.55	5.1	172	260	o.r.			
9050	1RQ8 716-2MA80-0CJ0	2988	590	96.9	97.1	96.8	96.0	0.88	0.91	0.91	0.89	28923	2.15	0.50	5.1	184	270	o.r.			
9700	1RQ8 717-2MA80-0CJ0	2988	630	97.0	97.2	96.9	96.1	0.89	0.91	0.91	0.89	31000	2.20	0.50	5.3	199	280	o.r.			
10000	1RQ8 718-2MA80-0CJ2	2989	640	97.2	97.3	97.0	96.2	0.90	0.92	0.91	0.90	31948	2.45	0.60	5.9	217	310	o.r.			
4-pole: n_{sync} = 1500 rpm at 50 Hz																					
1220	1RQ7 453-4MA80-0A.2	1485	84	94.9	95.5	95.6	95.3	0.88	0.88	0.86	0.79	7849	2.70	0.80	6.0	17	320	o.r.			
1260	1RQ7 453-4MA80-0C.2	1488	86	95.1	95.7	95.9	95.5	0.87	0.88	0.86	0.80	8094	2.50	0.60	5.5	23	350	o.r.			
1300	1RQ7 454-4MA80-0A.2	1485	88	95.1	95.7	95.8	95.4	0.89	0.89	0.86	0.79	8359	2.85	0.80	6.2	19	375	o.r.			
1400	1RQ7 454-4MA80-0C.2	1488	95	95.2	95.8	96.0	95.7	0.88	0.89	0.87	0.82	8991	2.50	0.60	5.5	26	360	o.r.			

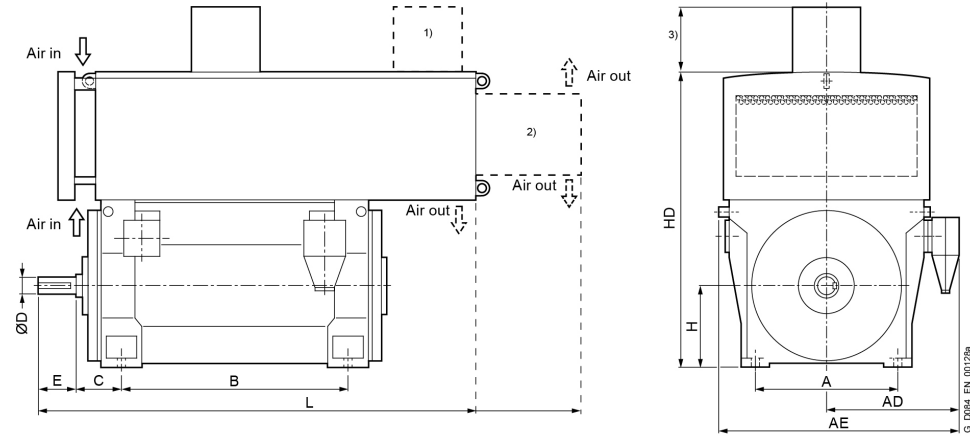
Innomotics HV M - 1RQ. IC666 10000 V / 50 Hz B3 (IM 1001)																		
Rated power IEC	Article No.	Speed	Rated current <i>I_R</i>	Efficiency				Power factor				Torque <i>T_R</i>	Breakdown torque <i>T_B/ T_R</i>	Locked torque <i>T_{LR}/ T_R</i>	Locked rotor current <i>I_{LR}/ I_R</i>	Inertia		
				5/4 load	4/4 load	3/4 load	2/4 load	5/4 load	4/4 load	3/4 load	2/4 load					<i>cos φ</i>	<i>cos φ</i>	<i>cos φ</i>
kW		rpm	A	%	%	%	%	<i>cos φ</i>	<i>cos φ</i>	<i>cos φ</i>	<i>cos φ</i>	Nm	[-]	[-]	[-]	kgm ²	kgm ²	[-]
1650	1RQ7 457-4MA80-0C.2	1488	112	95.7	96.2	96.4	96.1	0.89	0.89	0.88	0.83	10592	2.55	0.60	5.8	30	580	o.r.
1480	1RQ7 457-4MA80-0A.2	1485	99	95.2	95.9	96.1	96.0	0.89	0.90	0.89	0.85	9526	2.60	0.80	6.2	22	425	o.r.
1800	1RQ7 458-4MA80-0C.2	1489	122	95.9	96.3	96.4	96.1	0.89	0.89	0.87	0.81	11546	2.80	0.65	6.0	33	615	o.r.
1620	1RQ7 458-4MA80-0A.2	1485	108	95.5	96.1	96.3	96.2	0.90	0.90	0.89	0.85	10422	2.70	0.85	6.5	24	460	o.r.
1940	1RQ7 503-4MA80-0A.2	1487	130	95.6	96.1	96.5	96.2	0.88	0.89	0.88	0.85	12475	2.40	0.80	5.3	37	630	o.r.
1960	1RQ7 503-4MA80-0C.2	1488	132	95.7	96.2	96.5	96.2	0.88	0.89	0.89	0.86	12592	2.35	0.60	4.9	45	605	o.r.
2140	1RQ7 504-4MA80-0C.2	1491	146	96.0	96.4	96.5	95.9	0.88	0.88	0.86	0.79	13718	2.65	0.65	5.6	50	670	o.r.
2000	1RQ7 504-4MA80-0A.2	1486	134	95.7	96.2	96.5	96.3	0.88	0.90	0.90	0.87	12860	2.45	0.90	5.5	40	625	o.r.
2330	1RQ7 507-4MA80-0C.2	1490	158	96.1	96.5	96.7	96.2	0.87	0.88	0.87	0.82	14943	2.45	0.55	5.2	55	745	o.r.
2260	1RQ7 507-4MA80-0A.2	1487	152	95.8	96.4	96.7	96.5	0.88	0.89	0.90	0.87	14533	2.40	0.85	5.5	46	765	o.r.
2530	1RQ7 508-4MA80-0C.2	1491	170	96.3	96.7	96.8	96.4	0.89	0.89	0.89	0.84	16215	2.80	0.75	6.0	62	815	o.r.
2520	1RQ7 508-4MA80-0A.2	1488	170	96.1	96.6	96.8	96.5	0.89	0.89	0.89	0.85	16185	2.70	1.00	6.2	50	800	o.r.
2800	1RQ7 563-4MA80-0C.2	1492	188	96.5	96.7	97.0	96.6	0.88	0.89	0.87	0.83	17937	2.45	0.65	6.0	80	825	o.r.
3350	1RQ7 564-4MA80-0C.2	1491	224	96.5	96.9	97.1	96.9	0.88	0.89	0.89	0.86	21478	2.25	0.60	5.4	90	945	o.r.
3600	1RQ7 566-4MA80-0C.2	1492	238	96.7	97.0	97.2	96.9	0.89	0.90	0.89	0.86	23062	2.50	0.75	6.1	100	975	o.r.
4150	1RQ7 567-4MA80-0C.2	1491	274	96.8	97.1	97.4	97.1	0.89	0.90	0.90	0.86	26587	2.50	0.75	6.1	110	995	o.r.
4500	1RQ7 568-4MA80-0C.2	1492	300	97.0	97.2	97.4	97.1	0.90	0.89	0.89	0.84	28809	2.60	0.75	6.4	119	1015	o.r.
5050	1RQ8 633-4MA80-0C.0	1492	340	96.5	96.8	96.7	96.1	0.88	0.89	0.87	0.82	32322	2.50	0.60	5.9	151	780	o.r.
5600	1RQ8 634-4MA80-0C.2	1492	370	96.7	96.9	96.9	96.3	0.89	0.90	0.88	0.84	35842	2.50	0.60	6.0	166	1060	o.r.
6150	1RQ8 637-4MA80-0C.0	1492	410	96.8	97.1	97.0	96.4	0.88	0.89	0.87	0.81	39362	2.60	0.55	6.0	181	950	o.r.
6750	1RQ8 638-4MA80-0C.0	1492	450	97.0	97.2	97.1	96.6	0.88	0.89	0.87	0.81	43202	2.45	0.50	6.0	196	1060	o.r.
7050	1RQ8 712-4MA80-0C.0	1491	465	96.7	97.1	97.2	96.8	0.88	0.90	0.90	0.88	45153	2.25	0.50	5.4	259	960	o.r.
7650	1RQ8 713-4MA80-0C.0	1492	500	96.9	97.3	97.3	96.9	0.89	0.91	0.90	0.88	48963	2.40	0.50	5.7	284	1040	o.r.
8350	1RQ8 714-4MA80-0C.0	1492	540	97.0	97.4	97.4	97.0	0.90	0.91	0.91	0.88	53443	2.50	0.55	6.0	312	1120	o.r.
9250	1RQ8 717-4MA80-0C.0	1492	600	97.2	97.5	97.5	97.1	0.90	0.91	0.91	0.88	59203	2.55	0.55	6.0	345	1260	o.r.
9450	1RQ8 718-4MA80-0C.0	1493	610	97.2	97.5	97.5	97.1	0.90	0.91	0.90	0.87	60443	2.60	0.50	6.0	362	1450	o.r.
6-pole: n_{sync} = 1000 rpm at 50 Hz																		
860	1RQ7 452-6MA80-0A.2	990	61	94.3	95.1	95.3	95.1	0.85	0.85	0.81	0.72	8298	2.35	0.80	5.4	20	510	o.r.
880	1RQ7 452-6MA80-0C.2	990	62	94.1	95.0	95.3	95.2	0.85	0.86	0.83	0.75	8492	2.35	0.65	5.0	27	645	o.r.
930	1RQ7 453-6MA80-0A.0	990	66	94.4	95.1	95.4	95.2	0.85	0.85	0.82	0.73	8973	2.40	0.80	5.7	22	525	o.r.
950	1RQ7 453-6MA80-0C.0	990	67	94.3	95.1	95.4	95.3	0.85	0.86	0.83	0.76	9169	2.40	0.65	5.2	30	650	o.r.
1010	1RQ7 454-6MA80-0A.2	990	71	94.5	95.3	95.6	95.4	0.85	0.86	0.83	0.74	9744	2.50	0.85	5.7	24	600	o.r.
1020	1RQ7 454-6MA80-0C.2	990	72	94.5	95.3	95.6	95.5	0.86	0.86	0.84	0.76	9843	2.50	0.70	5.4	33	770	o.r.
1120	1RQ7 457-6MA80-0A.2	990	78	94.8	95.5	95.8	95.7	0.86	0.87	0.84	0.76	10806	2.50	0.85	5.5	28	670	o.r.
1120	1RQ7 457-6MA80-0C.2	990	78	94.8	95.5	95.8	95.7	0.86	0.87	0.85	0.78	10807	2.50	0.70	5.5	36	880	o.r.
1250	1RQ7 458-6MA80-0A.2	990	87	94.9	95.6	96.0	96.0	0.87	0.87	0.85	0.78	12062	2.50	0.85	5.5	31	690	o.r.
1250	1RQ7 458-6MA80-0C.2	990	87	94.9	95.6	96.0	95.9	0.87	0.87	0.85	0.79	12063	2.50	0.70	5.5	41	895	o.r.

Innomotics HV M - 1RQ. IC666 10000 V / 50 Hz B3 (IM 1001)																			
Rated power IEC	Article No.	Speed	Rated current		Efficiency				Power factor				Torque	Breakdown torque	Locked rotor torque	Locked rotor current	Inertia		Startup max T/TR
			I _R	%	5/4 load	4/4 load	3/4 load	2/4 load	5/4 load	4/4 load	3/4 load	2/4 load	T _R	T _B / T _R	T _{LR} / T _R	I _{LR} / I _R	motor	external	
kW		rpm	A	%	%	%	%	cos φ	cos φ	cos φ	cos φ	Nm	[-]	[-]	[-]	kgm ²	kgm ²	[-]	
1550	1RQ7 503-6MA80-0A.2	991	97	95.1	96.0	96.3	96.2	0.85	0.86	0.86	0.81	14955	2.15	0.80	4.6	46	1080	o.r.	
1700	1RQ7 504-6MA80-0A.2	991	110	95.4	96.1	96.4	96.4	0.86	0.86	0.85	0.80	16390	2.30	0.90	5.0	51	1280	o.r.	
1950	1RQ7 507-6MA80-0A.2	991	124	95.7	96.2	96.6	96.5	0.86	0.86	0.85	0.79	18794	2.40	0.95	5.2	58	1560	o.r.	
2050	1RQ7 508-6MA80-0A.2	991	138	95.8	96.3	96.6	96.4	0.87	0.86	0.85	0.78	19753	2.55	1.00	5.6	63	1540	o.r.	
2240	1RQ7 561-6MA80-0C.2	994	156	95.9	96.2	96.4	96.0	0.85	0.86	0.81	0.75	21531	2.10	0.65	6.0	97	2095	o.r.	
2600	1RQ7 562-6MA80-0C.2	993	182	95.7	96.3	96.2	95.8	0.85	0.86	0.83	0.78	25011	2.10	0.60	6.0	105	1890	o.r.	
2650	1RQ7 563-6MA80-0C.2	993	184	95.8	96.4	96.5	96.2	0.85	0.86	0.86	0.82	25514	2.00	0.60	5.5	113	1725	o.r.	
3000	1RQ7 564-6MA80-0C.2	994	210	96.2	96.5	96.5	96.2	0.86	0.86	0.83	0.77	28898	2.00	0.60	6.0	124	2065	o.r.	
3300	1RQ7 567-6MA80-0C.2	993	230	96.3	96.6	96.8	96.5	0.86	0.86	0.85	0.80	31736	2.00	0.60	6.0	137	3135	o.r.	
3550	1RQ7 568-6MA80-0C.2	994	245	96.5	96.8	96.9	96.7	0.86	0.86	0.84	0.78	34108	2.20	0.65	6.0	151	2955	o.r.	
4000	1RQ8 632-6MA80-0C.2	993	280	96.1	96.5	96.6	96.0	0.85	0.86	0.83	0.75	38466	2.35	0.60	5.4	193	2320	o.r.	
4150	1RQ8 633-6MA80-0C.0	993	285	96.3	96.6	96.7	96.1	0.85	0.87	0.83	0.75	39909	2.45	0.60	5.5	209	2630	o.r.	
4500	1RQ8 634-6MA80-0C.2	993	310	96.4	96.7	96.8	96.3	0.86	0.87	0.84	0.77	43275	2.45	0.60	5.5	227	2870	o.r.	
4800	1RQ8 637-6MA80-0C.0	993	330	96.5	96.8	96.9	96.3	0.86	0.87	0.84	0.77	46160	2.50	0.60	5.5	247	3230	o.r.	
5000	1RQ8 638-6MA80-0C.2	994	340	96.6	96.9	96.9	96.3	0.86	0.87	0.83	0.74	48035	2.55	0.60	5.5	264	3730	o.r.	
5700	1RQ8 712-6MA80-0C.0	994	390	96.7	97.1	97.2	96.7	0.86	0.87	0.84	0.77	54760	2.40	0.55	5.5	331	2880	o.r.	
6300	1RQ8 713-6MA80-0C.2	994	430	96.9	97.2	97.3	96.9	0.86	0.87	0.85	0.79	60524	2.45	0.60	5.5	374	3260	o.r.	
6900	1RQ8 714-6MA80-0C.0	994	465	97.0	97.3	97.4	97.0	0.87	0.88	0.86	0.79	66288	2.50	0.55	5.5	423	3810	o.r.	
7450	1RQ8 717-6MA80-0C.0	994	500	97.0	97.4	97.5	97.2	0.87	0.88	0.87	0.82	71572	2.30	0.50	5.5	476	4530	o.r.	
8150	1RQ8 718-6MA80-0C.0	995	550	97.2	97.5	97.5	97.2	0.87	0.88	0.85	0.79	78218	2.45	0.50	5.5	520	5150	o.r.	
8-pole: n_{sync} = 750 rpm at 50 Hz																			
580	1RQ7 451-8MA80-0A.0	741	44	93.4	94.4	94.8	94.6	0.81	0.81	0.75	0.64	7472	2.05	0.70	5.3	23	600	o.r.	
630	1RQ7 452-8MA80-0A.0	741	47	93.4	94.5	94.9	94.8	0.82	0.82	0.77	0.66	8115	2.10	0.70	5.5	25	610	o.r.	
720	1RQ7 453-8MA80-0A.2	742	54	94.1	95.0	95.3	95.1	0.81	0.81	0.75	0.64	9272	2.25	0.75	5.5	28	940	o.r.	
820	1RQ7 454-8MA80-0A.2	743	63	94.6	95.3	95.4	95.2	0.81	0.79	0.72	0.58	10545	2.45	0.85	5.4	31	1300	o.r.	
900	1RQ7 457-8MA80-0A.2	743	68	94.7	95.4	95.6	95.4	0.81	0.80	0.73	0.60	11574	2.50	0.85	5.5	35	1400	o.r.	
1000	1RQ7 458-8MA80-0A.2	743	76	94.8	95.5	95.7	95.4	0.82	0.80	0.74	0.61	12861	2.55	0.85	5.5	39	1430	o.r.	
1120	1RQ7 502-8MA80-0C.2	743	81	94.9	95.7	96.1	96.1	0.82	0.83	0.81	0.73	14406	2.15	0.55	4.1	59	2040	o.r.	
1220	1RQ7 503-8MA80-0A.2	743	89	95.1	95.8	96.2	96.2	0.82	0.83	0.80	0.73	15693	2.10	0.80	4.3	51	2290	o.r.	
1250	1RQ7 503-8MA80-0C.2	742	91	95.0	95.8	96.2	96.3	0.82	0.83	0.82	0.75	16095	2.10	0.55	4.0	65	2130	o.r.	
1280	1RQ7 504-8MA80-0A.2	743	93	95.3	95.9	96.3	96.3	0.83	0.83	0.80	0.73	16457	2.20	0.85	4.5	56	2100	o.r.	
1300	1RQ7 504-8MA80-0C.2	743	93	95.2	95.9	96.3	96.3	0.84	0.84	0.81	0.74	16722	2.25	0.60	4.3	72	2330	o.r.	
1400	1RQ7 507-8MA80-0A.2	744	102	95.4	96.1	96.4	96.4	0.83	0.83	0.80	0.74	17995	2.25	0.85	4.7	63	2370	o.r.	
1480	1RQ7 507-8MA80-0C.2	743	106	95.4	96.0	96.4	96.5	0.83	0.84	0.82	0.75	19039	2.20	0.65	4.3	80	2970	o.r.	
1600	1RQ7 508-8MA80-0A.2	744	116	95.6	96.2	96.5	96.4	0.82	0.83	0.81	0.73	20561	2.30	0.90	4.7	69	2680	o.r.	
1620	1RQ7 508-8MA80-0C.2	743	116	95.7	96.2	96.5	96.5	0.83	0.84	0.81	0.74	20824	2.35	0.65	4.5	88	3340	o.r.	
1880	1RQ7 563-8MA80-0C.2	744	136	95.5	96.1	96.4	96.2	0.83	0.83	0.81	0.75	24144	2.10	0.60	4.6	124	3020	o.r.	

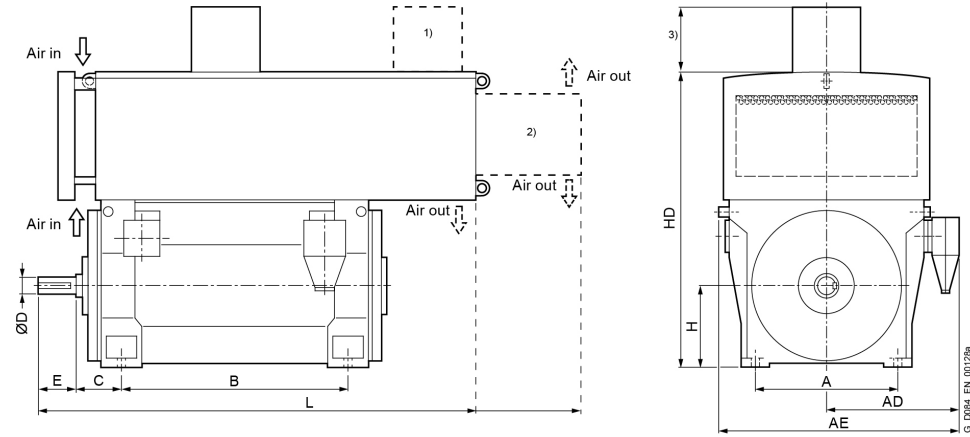
Innomotics HV M - 1RQ. IC666 10000 V / 50 Hz B3 (IM 1001)																		
Rated power IEC	Article No.	Speed	Rated current I_R	Efficiency				Power factor				Torque T_R	Breakdown torque T_B/ T_R	Locked rotor torque T_{LR}/ T_R	Locked rotor current I_{LR}/ I_R	Inertia		
				5/4 load	4/4 load	3/4 load	2/4 load	5/4 load	4/4 load	3/4 load	2/4 load					motor	external	Startup max T/TR
kW		rpm	A	%	%	%	%	$\cos \varphi$	$\cos \varphi$	$\cos \varphi$	$\cos \varphi$	Nm	[-]	[-]	[-]	kgm ²	kgm ²	[-]
2080	1RQ7 564-8MA80-OC.2	744	150	95.8	96.3	96.5	96.2	0.83	0.83	0.81	0.74	26711	2.20	0.65	4.9	137	3650	o.r.
2300	1RQ7 567-8MA80-OC.2	744	164	95.9	96.4	96.7	96.5	0.83	0.84	0.82	0.76	29553	2.10	0.60	4.7	150	4935	o.r.
2550	1RQ7 568-8MA80-OC.2	744	182	96.1	96.6	96.8	96.6	0.83	0.84	0.82	0.75	32757	2.20	0.60	4.8	165	6225	o.r.
2800	1RQ8 633-8MA80-OC.2	744	198	95.4	95.9	95.9	95.4	0.85	0.85	0.81	0.72	35938	2.15	0.45	4.7	216	2980	o.r.
3250	1RQ8 634-8MA80-OC.0	744	230	95.7	96.2	96.2	95.7	0.85	0.85	0.81	0.73	41714	2.20	0.50	4.8	251	4820	o.r.
3600	1RQ8 637-8MA80-OC.0	745	255	96.0	96.4	96.3	95.7	0.85	0.84	0.79	0.68	46144	2.40	0.50	5.1	291	5730	o.r.
3800	1RQ8 638-8MA80-OC.0	745	270	96.2	96.5	96.3	95.7	0.85	0.84	0.78	0.67	48708	2.50	0.55	5.5	324	6970	o.r.
4250	1RQ8 713-8MA80-OC.0	746	275	96.3	96.7	96.7	96.3	0.87	0.87	0.83	0.74	54403	2.40	0.55	5.2	471	4400	o.r.
4800	1RQ8 714-8MA80-OC.0	746	310	96.5	96.8	96.8	96.4	0.86	0.86	0.82	0.74	61443	2.40	0.50	5.1	536	4580	o.r.
5250	1RQ8 717-8MA80-OC.0	746	340	96.6	97.0	97.0	96.7	0.87	0.88	0.84	0.77	67203	2.40	0.55	5.2	616	5990	o.r.
5500	1RQ8 718-8MA80-OC.0	746	370	96.7	97.0	97.1	96.7	0.88	0.88	0.84	0.77	70404	2.50	0.60	5.5	680	6130	o.r.



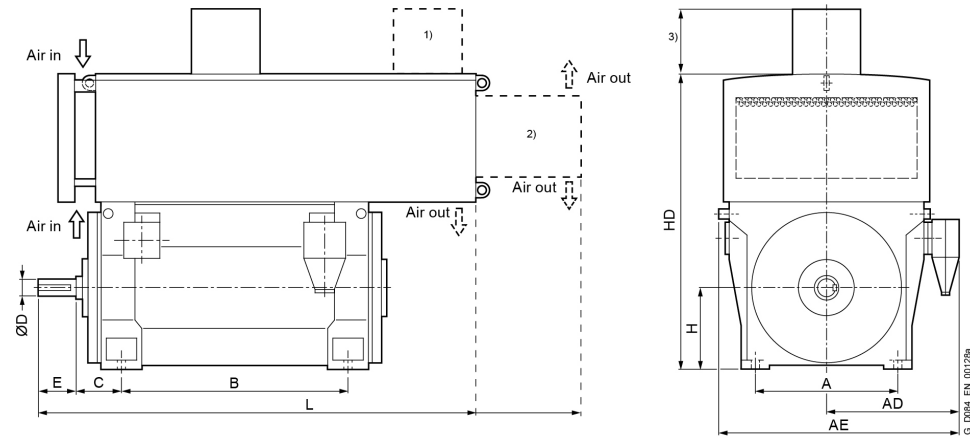
Motor type	Weight	Dimensions											
		A	AD	AE	B	C	D	E	H	HD	L	ML	
	kg	mm	mm	mm	mm	mm	mm	mm	mm	mm	mm	mm	mm
Innomotics HV M - 1RQ. IC666 10000 V / 50 Hz B3 (IM 1001) - Dimension drawings													
2-pole													
1RQ7 453-2MA80-0AA2	5150	850	1140	1760	1180	250	95	130	450	3160	2640	o.r.	
1RQ7 453-2MA80-0AC2	5050	850	1140	1760	1180	475	95	130	450	3160	2870	o.r.	
1RQ7 453-2MA80-0CA2	5250	850	1140	1760	1180	250	95	130	450	3160	2640	o.r.	
1RQ7 453-2MA80-0CC2	5150	850	1140	1760	1180	475	95	130	450	3160	2870	o.r.	
1RQ7 454-2MA80-0CA2	5400	850	1140	1760	1180	250	95	130	450	3160	2640	o.r.	
1RQ7 454-2MA80-0CC2	5300	850	1140	1760	1180	475	95	130	450	3160	2870	o.r.	
1RQ7 454-2MA80-0AA2	5250	850	1140	1760	1180	250	95	130	450	3160	2640	o.r.	
1RQ7 454-2MA80-0AC2	5150	850	1140	1760	1180	475	95	130	450	3160	2870	o.r.	
1RQ7 457-2MA80-0AA2	5600	850	1140	1760	1400	250	95	130	450	3160	2850	o.r.	
1RQ7 457-2MA80-0AC2	5450	850	1140	1760	1400	475	95	130	450	3160	3080	o.r.	
1RQ7 457-2MA80-0CA2	5750	850	1140	1760	1400	250	95	130	450	3160	2850	o.r.	
1RQ7 457-2MA80-0CC2	5650	850	1140	1760	1400	475	95	130	450	3160	3080	o.r.	
1RQ7 458-2MA80-0AA2	5800	850	1140	1760	1400	250	95	130	450	3160	2850	o.r.	
1RQ7 458-2MA80-0AC2	5700	850	1140	1760	1400	475	95	130	450	3160	3080	o.r.	
1RQ7 458-2MA80-0CA2	5950	850	1140	1760	1400	250	95	130	450	3160	2850	o.r.	
1RQ7 458-2MA80-0CC2	5850	850	1140	1760	1400	475	95	130	450	3160	3080	o.r.	
1RQ7 503-2MA80-0AA2	6950	950	1220	1920	1320	250	110	165	500	3370	2920	o.r.	
1RQ7 503-2MA80-0AC2	6900	950	1220	1920	1320	530	120	165	500	3370	3200	o.r.	
1RQ7 503-2MA80-0CA2	7100	950	1220	1920	1320	250	110	165	500	3370	2920	o.r.	
1RQ7 503-2MA80-0CC2	7000	950	1220	1920	1320	530	120	165	500	3370	3200	o.r.	
1RQ7 504-2MA80-0AA2	7000	950	1220	1920	1320	250	110	165	500	3370	2920	o.r.	
1RQ7 504-2MA80-0AC2	6950	950	1220	1920	1320	530	120	165	500	3370	3200	o.r.	



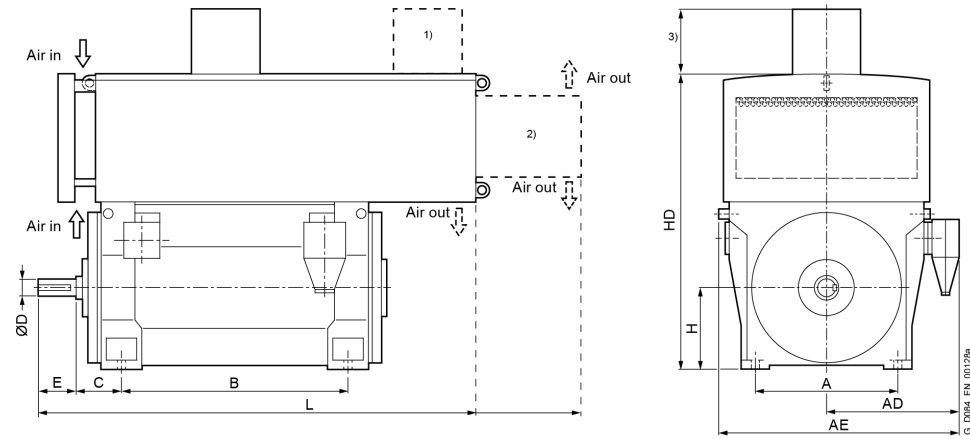
Motor type	Weight	Dimensions												
		A	AD	AE	B	C	D	E	H	HD	L	ML		
	kg	mm	mm	mm	mm	mm	mm	mm	mm	mm	mm	mm	mm	
Innomotics HV M - 1RQ. IC666 10000 V / 50 Hz B3 (IM 1001) - Dimension drawings														
1RQ7 504-2MA80-OCA2	7150	950	1220	1920	1320	250	110	165	500	3370	2920	o.r.		
1RQ7 504-2MA80-OCC2	7100	950	1220	1920	1320	530	120	165	500	3370	3200	o.r.		
1RQ7 507-2MA80-OAA2	7700	950	1220	1920	1500	250	110	165	500	3370	3130	o.r.		
1RQ7 507-2MA80-OAC2	7650	950	1220	1920	1500	530	120	165	500	3370	3410	o.r.		
1RQ7 507-2MA80-OCA2	7850	950	1220	1920	1500	250	110	165	500	3370	3130	o.r.		
1RQ7 507-2MA80-OCC2	7800	950	1220	1920	1500	530	120	165	500	3370	3410	o.r.		
1RQ7 508-2MA80-OCA2	8250	950	1220	1920	1500	250	110	165	500	3370	3130	o.r.		
1RQ7 508-2MA80-OCC2	8150	950	1220	1920	1500	530	120	165	500	3370	3410	o.r.		
1RQ7 508-2MA80-OAA2	8100	950	1220	1920	1500	250	110	165	500	3370	3130	o.r.		
1RQ7 508-2MA80-OAC2	8000	950	1220	1920	1500	530	120	165	500	3370	3410	o.r.		
1RQ7 562-2MA80-OCC2	8600	1060	1290	2060	1400	600	150	200	560	3650	3440	o.r.		
1RQ7 563-2MA80-OCC2	8900	1060	1290	2060	1400	600	150	200	560	3650	3440	o.r.		
1RQ7 564-2MA80-OCC2	9150	1060	1290	2060	1400	600	150	200	560	3650	3440	o.r.		
1RQ7 567-2MA80-OCC2	10100	1060	1290	2060	1600	600	150	200	560	3650	3670	o.r.		
1RQ7 568-2MA80-OCC2	10600	1060	1290	2060	1600	600	150	200	560	3650	3670	o.r.		
1RQ8 633-2MA80-OCJ0	11200	1320	1520	2520	1600	560	160	240	630	3210	4060	o.r.		
1RQ8 634-2MA80-OCJ2	11700	1320	1520	2520	1600	560	160	240	630	3210	4060	o.r.		
1RQ8 637-2MA80-OCJ0	12600	1320	1520	2520	1800	560	160	240	630	3210	4260	o.r.		
1RQ8 638-2MA80-OCJ0	13250	1320	1520	2520	1800	560	160	240	630	3210	4260	o.r.		
1RQ8 712-2MA80-OCJ0	14500	1500	1620	2720	2000	560	180	240	710	4240	4070	o.r.		
1RQ8 713-2MA80-OCJ0	15200	1500	1620	2720	2000	560	180	240	710	4240	4070	o.r.		
1RQ8 714-2MA80-OCJ0	15850	1500	1620	2720	2000	560	180	240	710	4240	4070	o.r.		
1RQ8 716-2MA80-OCJ0	17050	1500	1620	2720	2240	560	180	240	710	4240	4310	o.r.		



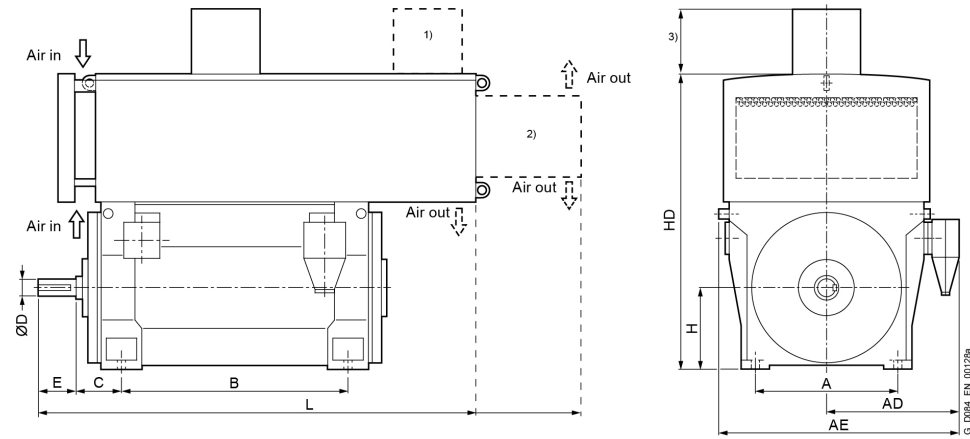
Motor type	Weight	Dimensions													
		A	AD	AE	B	C	D	E	H	HD	L	ML			
	kg	mm	mm	mm	mm	mm	mm	mm	mm	mm	mm	mm	mm	mm	
Innomotics HV M - 1RQ. IC666 10000 V / 50 Hz B3 (IM 1001) - Dimension drawings															
1RQ8 717-2MA80-0CJ0	17800	1500	1620	2720	2240	560	180	240	710	4240	4310	o.r.			
1RQ8 718-2MA80-0CJ2	18750	1500	1620	2720	2240	560	180	240	710	4240	4310	o.r.			
4-pole															
1RQ7 453-4MA80-0AA2	5100	850	1140	1760	1180	250	130	200	450	3160	2710	o.r.			
1RQ7 453-4MA80-0AC2	5150	850	1140	1760	1180	500	130	200	450	3160	2960	o.r.			
1RQ7 453-4MA80-0CA2	5250	850	1140	1760	1180	250	130	200	450	3160	2710	o.r.			
1RQ7 453-4MA80-0CC2	5300	850	1140	1760	1180	500	130	200	450	3160	2960	o.r.			
1RQ7 454-4MA80-0AA2	5250	850	1140	1760	1180	250	130	200	450	3160	2710	o.r.			
1RQ7 454-4MA80-0AC2	5300	850	1140	1760	1180	500	130	200	450	3160	2960	o.r.			
1RQ7 454-4MA80-0CA2	5450	850	1140	1760	1180	250	130	200	450	3160	2710	o.r.			
1RQ7 454-4MA80-0CC2	5450	850	1140	1760	1180	500	130	200	450	3160	2960	o.r.			
1RQ7 457-4MA80-0CA2	6050	850	1140	1760	1400	250	130	200	450	3160	2920	o.r.			
1RQ7 457-4MA80-0CC2	6100	850	1140	1760	1400	500	130	200	450	3160	3170	o.r.			
1RQ7 457-4MA80-0AA2	5850	850	1140	1760	1400	250	130	200	450	3160	2920	o.r.			
1RQ7 457-4MA80-0AC2	5900	850	1140	1760	1400	500	130	200	450	3160	3170	o.r.			
1RQ7 458-4MA80-0CA2	6300	850	1140	1760	1400	250	130	200	450	3160	2920	o.r.			
1RQ7 458-4MA80-0CC2	6300	850	1140	1760	1400	500	130	200	450	3160	3170	o.r.			
1RQ7 458-4MA80-0AA2	6100	850	1140	1760	1400	250	130	200	450	3160	2920	o.r.			
1RQ7 458-4MA80-0AC2	6100	850	1140	1760	1400	500	130	200	450	3160	3170	o.r.			
1RQ7 503-4MA80-0AA2	7200	950	1220	1920	1320	315	160	240	500	3370	3060	o.r.			
1RQ7 503-4MA80-0AC2	7300	950	1220	1920	1320	560	170	240	500	3370	3300	o.r.			
1RQ7 503-4MA80-0CA2	7350	950	1220	1920	1320	315	160	240	500	3370	3060	o.r.			
1RQ7 503-4MA80-0CC2	7400	950	1220	1920	1320	560	170	240	500	3370	3300	o.r.			



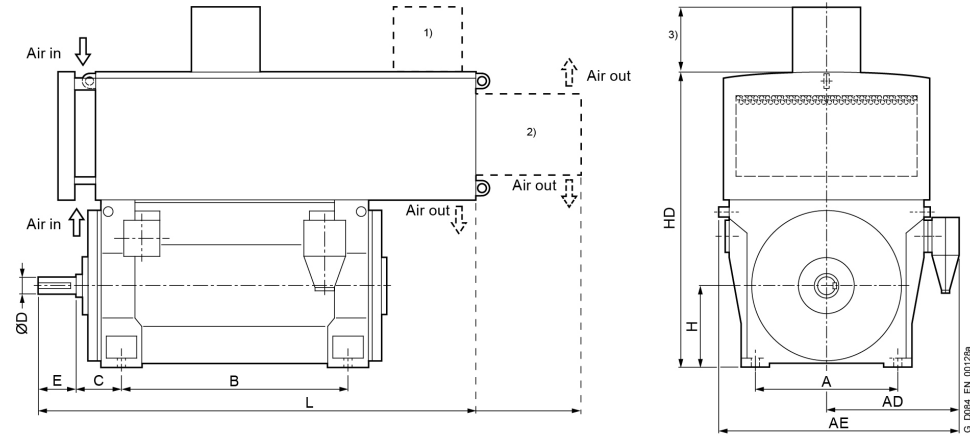
Motor type	Weight	Dimensions										
		A	AD	AE	B	C	D	E	H	HD	L	ML
	kg	mm	mm	mm	mm	mm	mm	mm	mm	mm	mm	mm
Innomotics HV M - 1RQ. IC666 10000 V / 50 Hz B3 (IM 1001) - Dimension drawings												
1RQ7 504-4MA80-OCA2	7600	950	1220	1920	1320	315	160	240	500	3370	3060	o.r.
1RQ7 504-4MA80-OCC2	7650	950	1220	1920	1320	560	170	240	500	3370	3300	o.r.
1RQ7 504-4MA80-OAA2	7450	950	1220	1920	1320	315	160	240	500	3370	3060	o.r.
1RQ7 504-4MA80-OAC2	7500	950	1220	1920	1320	560	170	240	500	3370	3300	o.r.
1RQ7 507-4MA80-OCA2	8250	950	1220	1920	1500	315	160	240	500	3370	3270	o.r.
1RQ7 507-4MA80-OCC2	8350	950	1220	1920	1500	560	170	240	500	3370	3510	o.r.
1RQ7 507-4MA80-OAA2	8100	950	1220	1920	1500	315	160	240	500	3370	3270	o.r.
1RQ7 507-4MA80-OAC2	8200	950	1220	1920	1500	560	170	240	500	3370	3510	o.r.
1RQ7 508-4MA80-OCA2	8650	950	1220	1920	1500	315	160	240	500	3370	3270	o.r.
1RQ7 508-4MA80-OCC2	8700	950	1220	1920	1500	560	170	240	500	3370	3510	o.r.
1RQ7 508-4MA80-OAA2	8450	950	1220	1920	1500	315	160	240	500	3370	3270	o.r.
1RQ7 508-4MA80-OAC2	8550	950	1220	1920	1500	560	170	240	500	3370	3510	o.r.
1RQ7 563-4MA80-OCA2	8950	1060	1290	2060	1400	335	190	280	560	3650	3250	o.r.
1RQ7 563-4MA80-OCC2	9000	1060	1290	2060	1400	600	190	280	560	3650	3520	o.r.
1RQ7 564-4MA80-OCA2	9400	1060	1290	2060	1400	335	190	280	560	3650	3250	o.r.
1RQ7 564-4MA80-OCC2	9450	1060	1290	2060	1400	600	190	280	560	3650	3520	o.r.
1RQ7 566-4MA80-OCA2	10250	1060	1290	2060	1600	335	190	280	560	3650	3480	o.r.
1RQ7 566-4MA80-OCC2	10300	1060	1290	2060	1600	600	190	280	560	3650	3750	o.r.
1RQ7 567-4MA80-OCA2	10750	1060	1290	2060	1600	335	190	280	560	3650	3480	o.r.
1RQ7 567-4MA80-OCC2	10800	1060	1290	2060	1600	600	190	280	560	3650	3750	o.r.
1RQ7 568-4MA80-OCA2	11150	1060	1290	2060	1600	335	190	280	560	3650	3480	o.r.
1RQ7 568-4MA80-OCC2	11200	1060	1290	2060	1600	600	190	280	560	3650	3750	o.r.
1RQ8 633-4MA80-OCG0	11850	1320	1520	2520	1600	375	200	280	630	3210	3920	o.r.



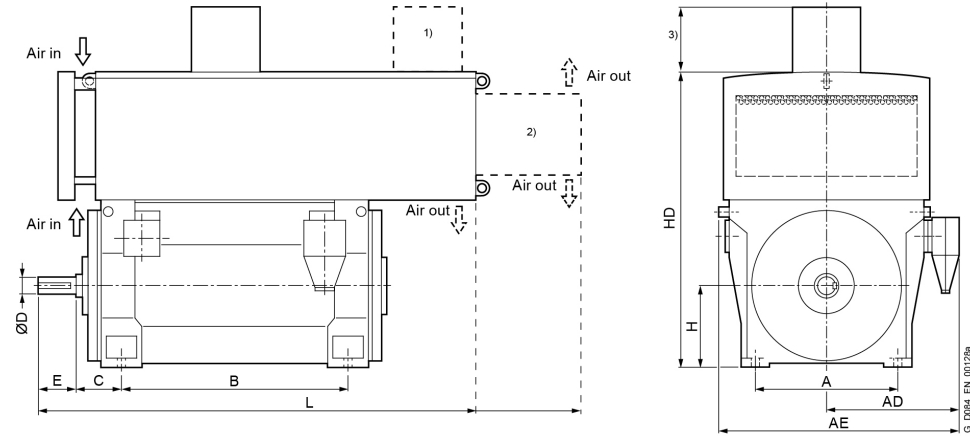
Motor type	Weight	Dimensions										
		A	AD	AE	B	C	D	E	H	HD	L	ML
	kg	mm	mm	mm	mm	mm	mm	mm	mm	mm	mm	mm
Innomotics HV M - 1RQ. IC666 10000 V / 50 Hz B3 (IM 1001) - Dimension drawings												
1RQ8 633-4MA80-0CJ0	11950	1320	1520	2520	1600	630	200	280	630	3210	4170	o.r.
1RQ8 634-4MA80-0CG2	12400	1320	1520	2520	1600	375	200	280	630	3210	3920	o.r.
1RQ8 634-4MA80-0CJ2	12500	1320	1520	2520	1600	630	200	280	630	3210	4170	o.r.
1RQ8 637-4MA80-0CG0	13350	1320	1520	2520	1800	375	200	280	630	3210	4120	o.r.
1RQ8 637-4MA80-0CJ0	13450	1320	1520	2520	1800	630	200	280	630	3210	4370	o.r.
1RQ8 638-4MA80-0CG0	13950	1320	1520	2520	1800	375	200	280	630	3210	4120	o.r.
1RQ8 638-4MA80-0CJ0	14050	1320	1520	2520	1800	630	200	280	630	3210	4370	o.r.
1RQ8 712-4MA80-0CG0	15600	1500	1620	2720	2000	375	220	280	710	4240	3920	o.r.
1RQ8 712-4MA80-0CJ0	15700	1500	1620	2720	2000	630	220	280	710	4240	4180	o.r.
1RQ8 713-4MA80-0CG0	16300	1500	1620	2720	2000	375	220	280	710	4240	3920	o.r.
1RQ8 713-4MA80-0CJ0	16450	1500	1620	2720	2000	630	220	280	710	4240	4180	o.r.
1RQ8 714-4MA80-0CG0	17050	1500	1620	2720	2000	375	220	280	710	4240	3920	o.r.
1RQ8 714-4MA80-0CJ0	17200	1500	1620	2720	2000	630	220	280	710	4240	4180	o.r.
1RQ8 717-4MA80-0CG0	18450	1500	1620	2720	2240	375	220	280	710	4240	4160	o.r.
1RQ8 717-4MA80-0CJ0	18600	1500	1620	2720	2240	630	220	280	710	4240	4420	o.r.
1RQ8 718-4MA80-0CG0	18950	1500	1620	2720	2240	375	220	280	710	4240	4160	o.r.
1RQ8 718-4MA80-0CJ0	19050	1500	1620	2720	2240	630	220	280	710	4240	4420	o.r.
6-pole												
1RQ7 452-6MA80-0AA2	4950	850	1140	1760	1180	250	130	200	450	3160	2710	o.r.
1RQ7 452-6MA80-0AC2	5000	850	1140	1760	1180	500	130	200	450	3160	2960	o.r.
1RQ7 452-6MA80-0CA2	5100	850	1140	1760	1180	250	130	200	450	3160	2710	o.r.
1RQ7 452-6MA80-0CC2	5150	850	1140	1760	1180	500	130	200	450	3160	2960	o.r.
1RQ7 453-6MA80-0AA0	5100	850	1140	1760	1180	250	130	200	450	3160	2710	o.r.



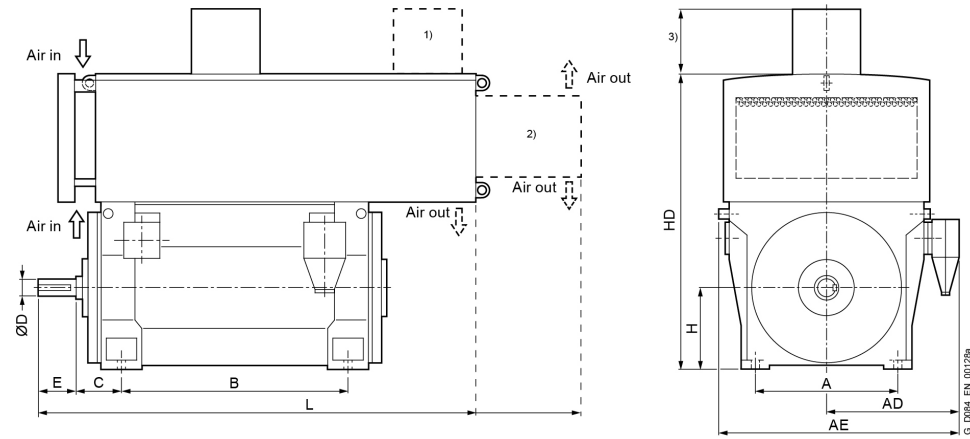
Motor type	Weight	Dimensions											
		A	AD	AE	B	C	D	E	H	HD	L	ML	
	kg	mm	mm	mm	mm	mm	mm	mm	mm	mm	mm	mm	mm
Innomotics HV M - 1RQ. IC666 10000 V / 50 Hz B3 (IM 1001) - Dimension drawings													
1RQ7 453-6MA80-0AC0	5150	850	1140	1760	1180	500	130	200	450	3160	2960	o.r.	
1RQ7 453-6MA80-0CA0	5250	850	1140	1760	1180	250	130	200	450	3160	2710	o.r.	
1RQ7 453-6MA80-0CC0	5300	850	1140	1760	1180	500	130	200	450	3160	2960	o.r.	
1RQ7 454-6MA80-0AA2	5300	850	1140	1760	1180	250	130	200	450	3160	2710	o.r.	
1RQ7 454-6MA80-0AC2	5300	850	1140	1760	1180	500	130	200	450	3160	2960	o.r.	
1RQ7 454-6MA80-0CA2	5450	850	1140	1760	1180	250	130	200	450	3160	2710	o.r.	
1RQ7 454-6MA80-0CC2	5500	850	1140	1760	1180	500	130	200	450	3160	2960	o.r.	
1RQ7 457-6MA80-0AA2	5750	850	1140	1760	1400	250	130	200	450	3160	2920	o.r.	
1RQ7 457-6MA80-0AC2	5800	850	1140	1760	1400	500	130	200	450	3160	3170	o.r.	
1RQ7 457-6MA80-0CA2	5950	850	1140	1760	1400	250	130	200	450	3160	2920	o.r.	
1RQ7 457-6MA80-0CC2	5950	850	1140	1760	1400	500	130	200	450	3160	3170	o.r.	
1RQ7 458-6MA80-0AA2	6000	850	1140	1760	1400	250	130	200	450	3160	2920	o.r.	
1RQ7 458-6MA80-0AC2	6050	850	1140	1760	1400	500	130	200	450	3160	3170	o.r.	
1RQ7 458-6MA80-0CA2	6250	850	1140	1760	1400	250	130	200	450	3160	2920	o.r.	
1RQ7 458-6MA80-0CC2	6250	850	1140	1760	1400	500	130	200	450	3160	3170	o.r.	
1RQ7 503-6MA80-0AA2	7200	950	1220	1920	1320	315	160	240	500	3370	3060	o.r.	
1RQ7 503-6MA80-0AC2	7250	950	1220	1920	1320	560	170	240	500	3370	3300	o.r.	
1RQ7 504-6MA80-0AA2	7450	950	1220	1920	1320	315	160	240	500	3370	3060	o.r.	
1RQ7 504-6MA80-0AC2	7500	950	1220	1920	1320	560	170	240	500	3370	3300	o.r.	
1RQ7 507-6MA80-0AA2	8200	950	1220	1920	1500	315	160	240	500	3370	3270	o.r.	
1RQ7 507-6MA80-0AC2	8250	950	1220	1920	1500	560	170	240	500	3370	3510	o.r.	
1RQ7 508-6MA80-0AA2	8450	950	1220	1920	1500	315	160	240	500	3370	3270	o.r.	
1RQ7 508-6MA80-0AC2	8500	950	1220	1920	1500	560	170	240	500	3370	3510	o.r.	



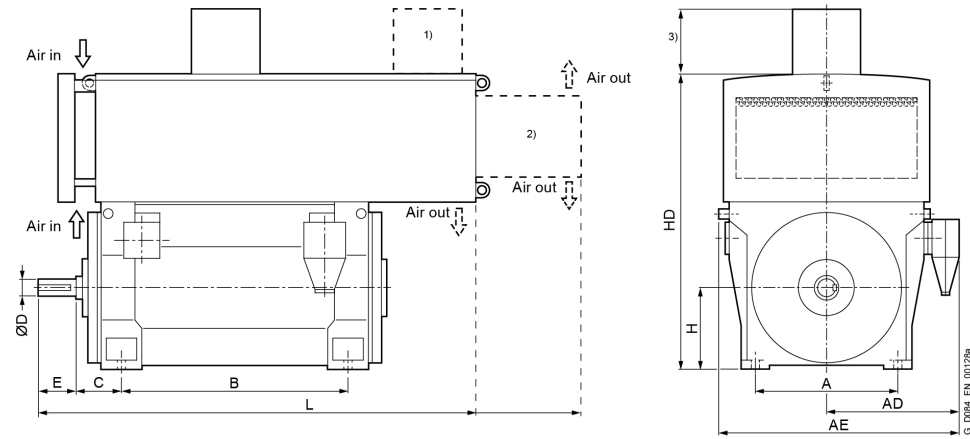
Motor type	Weight	Dimensions										
		A	AD	AE	B	C	D	E	H	HD	L	ML
	kg	mm	mm	mm	mm	mm	mm	mm	mm	mm	mm	mm
Innomotics HV M - 1RQ. IC666 10000 V / 50 Hz B3 (IM 1001) - Dimension drawings												
1RQ7 561-6MA80-OCA2	9000	1060	1290	2060	1400	335	190	280	560	3650	3250	o.r.
1RQ7 561-6MA80-OCC2	9050	1060	1290	2060	1400	600	190	280	560	3650	3520	o.r.
1RQ7 562-6MA80-OCA2	9300	1060	1290	2060	1400	335	190	280	560	3650	3250	o.r.
1RQ7 562-6MA80-OCC2	9350	1060	1290	2060	1400	600	190	280	560	3650	3520	o.r.
1RQ7 563-6MA80-OCA2	9600	1060	1290	2060	1400	335	190	280	560	3650	3250	o.r.
1RQ7 563-6MA80-OCC2	9650	1060	1290	2060	1400	600	190	280	560	3650	3520	o.r.
1RQ7 564-6MA80-OCA2	10000	1060	1290	2060	1400	335	190	280	560	3650	3250	o.r.
1RQ7 564-6MA80-OCC2	10050	1060	1290	2060	1400	600	190	280	560	3650	3520	o.r.
1RQ7 567-6MA80-OCA2	10850	1060	1290	2060	1600	335	190	280	560	3650	3480	o.r.
1RQ7 567-6MA80-OCC2	10900	1060	1290	2060	1600	600	190	280	560	3650	3750	o.r.
1RQ7 568-6MA80-OCA2	11450	1060	1290	2060	1600	335	190	280	560	3650	3480	o.r.
1RQ7 568-6MA80-OCC2	11500	1060	1290	2060	1600	600	190	280	560	3650	3750	o.r.
1RQ8 632-6MA80-OCG2	11800	1320	1520	2520	1600	375	200	280	630	3210	3920	o.r.
1RQ8 632-6MA80-OCJ2	11900	1320	1520	2520	1600	630	200	280	630	3210	4170	o.r.
1RQ8 633-6MA80-OCG0	12250	1320	1520	2520	1600	375	200	280	630	3210	3920	o.r.
1RQ8 633-6MA80-OCJ0	12350	1320	1520	2520	1600	630	200	280	630	3210	4170	o.r.
1RQ8 634-6MA80-OCG2	12750	1320	1520	2520	1600	375	200	280	630	3210	3920	o.r.
1RQ8 634-6MA80-OCJ2	12850	1320	1520	2520	1600	630	200	280	630	3210	4170	o.r.
1RQ8 637-6MA80-OCG0	13600	1320	1520	2520	1800	375	200	280	630	3210	4120	o.r.
1RQ8 637-6MA80-OCJ0	13700	1320	1520	2520	1800	630	200	280	630	3210	4370	o.r.
1RQ8 638-6MA80-OCG2	14100	1320	1520	2520	1800	375	200	280	630	3210	4120	o.r.
1RQ8 638-6MA80-OCJ2	14250	1320	1520	2520	1800	630	200	280	630	3210	4370	o.r.
1RQ8 712-6MA80-OCG0	15600	1500	1620	2720	2000	375	220	280	710	4240	3920	o.r.



Motor type	Weight	Dimensions											
		A	AD	AE	B	C	D	E	H	HD	L	ML	
	kg	mm	mm	mm	mm	mm	mm	mm	mm	mm	mm	mm	mm
Innomotics HV M - 1RQ. IC666 10000 V / 50 Hz B3 (IM 1001) - Dimension drawings													
1RQ8 712-6MA80-0CJ0	15700	1500	1620	2720	2000	630	220	280	710	4240	4180	o.r.	
1RQ8 713-6MA80-0CG2	16550	1500	1620	2720	2000	375	220	280	710	4240	3920	o.r.	
1RQ8 713-6MA80-0CJ2	16650	1500	1620	2720	2000	630	220	280	710	4240	4180	o.r.	
1RQ8 714-6MA80-0CG0	17550	1500	1620	2720	2000	375	220	280	710	4240	3920	o.r.	
1RQ8 714-6MA80-0CJ0	17700	1500	1620	2720	2000	630	220	280	710	4240	4180	o.r.	
1RQ8 717-6MA80-0CG0	19100	1500	1620	2720	2240	375	220	280	710	4240	4160	o.r.	
1RQ8 717-6MA80-0CJ0	19250	1500	1620	2720	2240	630	220	280	710	4240	4420	o.r.	
1RQ8 718-6MA80-0CG0	20150	1500	1620	2720	2240	375	220	280	710	4240	4160	o.r.	
1RQ8 718-6MA80-0CJ0	20300	1500	1620	2720	2240	630	220	280	710	4240	4420	o.r.	
8-pole													
1RQ7 451-8MA80-0AA0	4950	850	1140	1760	1180	250	130	200	450	3160	2710	o.r.	
1RQ7 451-8MA80-0AC0	5000	850	1140	1760	1180	500	130	200	450	3160	2960	o.r.	
1RQ7 452-8MA80-0AA0	5100	850	1140	1760	1180	250	130	200	450	3160	2710	o.r.	
1RQ7 452-8MA80-0AC0	5100	850	1140	1760	1180	500	130	200	450	3160	2960	o.r.	
1RQ7 453-8MA80-0AA2	5300	850	1140	1760	1180	250	130	200	450	3160	2710	o.r.	
1RQ7 453-8MA80-0AC2	5350	850	1140	1760	1180	500	130	200	450	3160	2960	o.r.	
1RQ7 454-8MA80-0AA2	5550	850	1140	1760	1180	250	130	200	450	3160	2710	o.r.	
1RQ7 454-8MA80-0AC2	5550	850	1140	1760	1180	500	130	200	450	3160	2960	o.r.	
1RQ7 457-8MA80-0AA2	6050	850	1140	1760	1400	250	130	200	450	3160	2920	o.r.	
1RQ7 457-8MA80-0AC2	6050	850	1140	1760	1400	500	130	200	450	3160	3170	o.r.	
1RQ7 458-8MA80-0AA2	6300	850	1140	1760	1400	250	130	200	450	3160	2920	o.r.	
1RQ7 458-8MA80-0AC2	6300	850	1140	1760	1400	500	130	200	450	3160	3170	o.r.	
1RQ7 502-8MA80-0CA2	7150	950	1220	1920	1320	315	160	240	500	3370	3060	o.r.	



Motor type	Weight	Dimensions										
		A	AD	AE	B	C	D	E	H	HD	L	ML
	kg	mm	mm	mm	mm	mm	mm	mm	mm	mm	mm	mm
Innomotics HV M - 1RQ. IC666 10000 V / 50 Hz B3 (IM 1001) - Dimension drawings												
1RQ7 502-8MA80-0CC2	7200	950	1220	1920	1320	560	170	240	500	3370	3300	o.r.
1RQ7 503-8MA80-0AA2	7200	950	1220	1920	1320	315	160	240	500	3370	3060	o.r.
1RQ7 503-8MA80-0AC2	7250	950	1220	1920	1320	560	170	240	500	3370	3300	o.r.
1RQ7 503-8MA80-0CA2	7450	950	1220	1920	1320	315	160	240	500	3370	3060	o.r.
1RQ7 503-8MA80-0CC2	7500	950	1220	1920	1320	560	170	240	500	3370	3300	o.r.
1RQ7 504-8MA80-0AA2	7500	950	1220	1920	1320	315	160	240	500	3370	3060	o.r.
1RQ7 504-8MA80-0AC2	7550	950	1220	1920	1320	560	170	240	500	3370	3300	o.r.
1RQ7 504-8MA80-0CA2	7700	950	1220	1920	1320	315	160	240	500	3370	3060	o.r.
1RQ7 504-8MA80-0CC2	7750	950	1220	1920	1320	560	170	240	500	3370	3300	o.r.
1RQ7 507-8MA80-0AA2	8150	950	1220	1920	1500	315	160	240	500	3370	3270	o.r.
1RQ7 507-8MA80-0AC2	8250	950	1220	1920	1500	560	170	240	500	3370	3510	o.r.
1RQ7 507-8MA80-0CA2	8400	950	1220	1920	1500	315	160	240	500	3370	3270	o.r.
1RQ7 507-8MA80-0CC2	8500	950	1220	1920	1500	560	170	240	500	3370	3510	o.r.
1RQ7 508-8MA80-0AA2	8500	950	1220	1920	1500	315	160	240	500	3370	3270	o.r.
1RQ7 508-8MA80-0AC2	8550	950	1220	1920	1500	560	170	240	500	3370	3510	o.r.
1RQ7 508-8MA80-0CA2	8800	950	1220	1920	1500	315	160	240	500	3370	3270	o.r.
1RQ7 508-8MA80-0CC2	8850	950	1220	1920	1500	560	170	240	500	3370	3510	o.r.
1RQ7 563-8MA80-0CA2	9500	1060	1290	2060	1400	335	190	280	560	3650	3250	o.r.
1RQ7 563-8MA80-0CC2	9550	1060	1290	2060	1400	600	190	280	560	3650	3520	o.r.
1RQ7 564-8MA80-0CA2	9900	1060	1290	2060	1400	335	190	280	560	3650	3250	o.r.
1RQ7 564-8MA80-0CC2	10000	1060	1290	2060	1400	600	190	280	560	3650	3520	o.r.
1RQ7 567-8MA80-0CA2	10850	1060	1290	2060	1600	335	190	280	560	3650	3480	o.r.
1RQ7 567-8MA80-0CC2	10900	1060	1290	2060	1600	600	190	280	560	3650	3750	o.r.



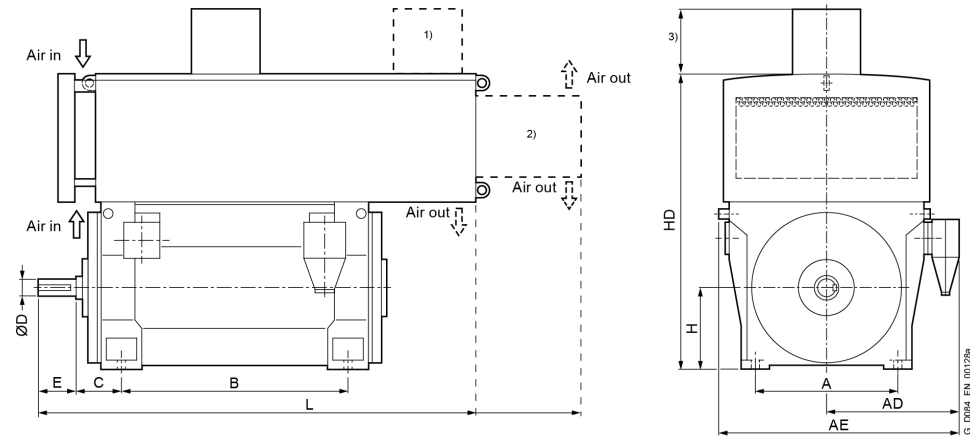
Motor type	Weight	Dimensions										
		A	AD	AE	B	C	D	E	H	HD	L	ML
	kg	mm	mm	mm	mm	mm	mm	mm	mm	mm	mm	mm
Innomotics HV M - 1RQ. IC666 10000 V / 50 Hz B3 (IM 1001) - Dimension drawings												
1RQ7 568-8MA80-OCA2	11350	1060	1290	2060	1600	335	190	280	560	3650	3480	o.r.
1RQ7 568-8MA80-OCC2	11400	1060	1290	2060	1600	600	190	280	560	3650	3750	o.r.
1RQ8 633-8MA80-OCG2	11050	1320	1520	2520	1600	375	200	280	630	3210	3920	o.r.
1RQ8 633-8MA80-OCJ2	11150	1320	1520	2520	1600	630	200	280	630	3210	4170	o.r.
1RQ8 634-8MA80-OCG0	11850	1320	1520	2520	1600	375	200	280	630	3210	3920	o.r.
1RQ8 634-8MA80-OCJ0	12000	1320	1520	2520	1600	630	200	280	630	3210	4170	o.r.
1RQ8 637-8MA80-OCG0	13050	1320	1520	2520	1800	375	200	280	630	3210	4120	o.r.
1RQ8 637-8MA80-OCJ0	13150	1320	1520	2520	1800	630	200	280	630	3210	4370	o.r.
1RQ8 638-8MA80-OCG0	13750	1320	1520	2520	1800	375	200	280	630	3210	4120	o.r.
1RQ8 638-8MA80-OCJ0	13900	1320	1520	2520	1800	630	200	280	630	3210	4370	o.r.
1RQ8 713-8MA80-OCG0	15700	1500	1620	2720	2000	375	220	280	710	4150	3920	o.r.
1RQ8 713-8MA80-OCJ0	15900	1500	1620	2720	2000	630	220	280	710	4150	4180	o.r.
1RQ8 714-8MA80-OCG0	16800	1500	1620	2720	2000	375	220	280	710	4150	3920	o.r.
1RQ8 714-8MA80-OCJ0	17000	1500	1620	2720	2000	630	220	280	710	4150	4180	o.r.
1RQ8 717-8MA80-OCG0	18550	1500	1620	2720	2240	375	220	280	710	4150	4160	o.r.
1RQ8 717-8MA80-OCJ0	18750	1500	1620	2720	2240	630	220	280	710	4150	4420	o.r.
1RQ8 718-8MA80-OCG0	19550	1500	1620	2720	2240	375	220	280	710	4150	4160	o.r.
1RQ8 718-8MA80-OCJ0	19750	1500	1620	2720	2240	630	220	280	710	4150	4420	o.r.

Innomotics HV M - 1RQ. IC666 11000 V / 50 Hz B3 (IM 1001)																		
Rated power IEC kW	Article No.	Speed rpm	Rated current I _R A	Efficiency				Power factor				Torque T _R Nm	Breakdown torque T _B / T _R [-]	Locked torque T _{LR} / T _R [-]	Locked rotor current I _{LR} / I _R [-]	Inertia		
				5/4 load	4/4 load	3/4 load	2/4 load	5/4 load	4/4 load	3/4 load	2/4 load					motor	external	Startup max T/TR [-]
2-pole: n_{sync} = 3000 rpm at 50 Hz																		
1150	1RQ7 453-2MA90-0A.0	2982	73	95.1	95.5	95.3	94.3	0.86	0.86	0.83	0.74	3683	2.80	0.60	6.5	10	60	o.r.
1150	1RQ7 453-2MA90-0C.0	2983	71	95.1	95.5	95.3	94.3	0.89	0.89	0.87	0.82	3681	2.85	0.70	6.5	14	70	o.r.
1250	1RQ7 454-2MA90-0A.0	2982	78	95.2	95.7	95.6	94.9	0.88	0.88	0.86	0.81	4003	2.80	0.60	6.5	11	60	o.r.
1250	1RQ7 454-2MA90-0C.0	2983	76	95.2	95.6	95.4	94.5	0.90	0.90	0.89	0.84	4002	2.90	0.75	6.5	15	70	o.r.
1440	1RQ7 457-2MA90-0A.0	2982	90	95.4	95.8	95.7	94.8	0.88	0.88	0.84	0.77	4611	2.85	0.65	6.5	12	70	o.r.
1450	1RQ7 457-2MA90-0C.0	2983	88	95.4	95.8	95.7	94.9	0.90	0.90	0.89	0.84	4642	2.90	0.75	6.5	16	95	o.r.
1540	1RQ7 458-2MA90-0A.0	2982	93	95.6	96.1	96.1	95.5	0.90	0.90	0.89	0.85	4932	2.85	0.65	6.5	13	70	o.r.
1600	1RQ7 458-2MA90-0C.0	2983	96	95.7	96.1	96.0	95.2	0.90	0.91	0.90	0.85	5122	3.00	0.75	6.5	17	105	o.r.
1750	1RQ7 502-2MA90-0C.0	2979	108	95.5	95.8	95.9	95.4	0.88	0.88	0.87	0.82	5610	2.55	0.60	5.0	18	122	o.r.
1950	1RQ7 503-2MA90-0C.0	2979	120	95.9	96.2	96.3	95.9	0.89	0.89	0.89	0.85	6251	2.60	0.70	5.1	20	132	o.r.
1800	1RQ7 503-2MA90-0A.0	2974	110	95.6	96.0	96.2	96.0	0.89	0.89	0.89	0.85	5780	2.65	0.60	5.3	15	34	o.r.
1900	1RQ7 504-2MA90-0A.0	2975	116	95.7	96.1	96.3	96.0	0.89	0.89	0.89	0.85	6099	2.70	0.70	5.3	15	34	o.r.
2300	1RQ7 507-2MA90-0C.0	2983	138	96.3	96.5	96.6	96.1	0.90	0.90	0.89	0.84	7363	3.00	0.85	6.1	24	146	o.r.
2150	1RQ7 507-2MA90-0A.0	2976	130	96.0	96.4	96.5	96.3	0.90	0.90	0.90	0.86	6899	2.90	0.70	5.9	18	40	o.r.
2450	1RQ7 508-2MA90-0C.0	2985	146	96.5	96.7	96.7	96.3	0.91	0.91	0.90	0.84	7838	3.30	0.95	6.8	27	162	o.r.
2350	1RQ7 508-2MA90-0A.0	2976	140	96.2	96.6	96.8	96.7	0.91	0.91	0.91	0.88	7541	2.80	0.80	5.8	20	42	o.r.
2880	1RQ7 562-2MA90-0CC0	2986	176	96.1	96.2	96.0	95.3	0.89	0.89	0.87	0.82	9210	2.90	0.80	6.5	41	240	o.r.
3070	1RQ7 563-2MA90-0CC0	2986	186	96.3	96.3	96.2	95.5	0.89	0.90	0.88	0.84	9818	2.85	0.75	6.5	44	250	o.r.
3490	1RQ7 564-2MA90-0CC0	2987	215	96.1	96.2	95.8	94.9	0.89	0.89	0.86	0.79	11157	3.20	0.85	6.5	47	230	o.r.
4000	1RQ7 567-2MA90-0CC0	2986	240	96.4	96.4	96.3	95.5	0.90	0.91	0.89	0.84	12792	2.95	0.75	6.5	52	280	o.r.
4250	1RQ7 568-2MA90-0CC0	2988	255	96.6	96.5	96.4	95.6	0.91	0.91	0.89	0.83	13583	3.30	0.80	6.8	58	245	o.r.
4400	1RQ8 632-2MA90-0CJ0	2982	270	95.9	96.3	95.9	95.0	0.86	0.89	0.89	0.88	14090	2.00	0.55	4.8	75	310	o.r.
4950	1RQ8 633-2MA90-0CJ0	2982	305	96.1	96.5	96.2	95.4	0.87	0.89	0.90	0.89	15851	2.05	0.55	4.9	82	300	o.r.
5400	1RQ8 634-2MA90-0CJ0	2983	325	96.3	96.7	96.4	95.5	0.88	0.90	0.91	0.90	17287	2.20	0.60	5.2	90	300	o.r.
6000	1RQ8 637-2MA90-0CJ0	2984	355	96.5	96.9	96.6	95.8	0.89	0.91	0.91	0.90	19201	2.35	0.65	5.5	99	310	o.r.
6500	1RQ8 638-2MA90-0CJ0	2986	380	96.7	97.0	96.7	95.9	0.90	0.92	0.92	0.90	20787	2.55	0.65	6.0	107	320	o.r.
7300	1RQ8 712-2MA90-0CJ0	2988	445	96.6	96.6	96.3	95.2	0.87	0.89	0.89	0.87	23330	2.15	0.60	5.1	149	250	o.r.
7650	1RQ8 713-2MA90-0CJ0	2989	455	96.7	96.7	96.3	95.3	0.89	0.91	0.90	0.87	24440	2.45	0.70	5.8	160	240	o.r.
8150	1RQ8 714-2MA90-0CJ0	2990	485	96.8	96.8	96.4	95.4	0.90	0.91	0.90	0.87	26029	2.55	0.60	6.1	172	260	o.r.
8950	1RQ8 716-2MA90-0CJ0	2990	540	97.0	96.9	96.5	95.5	0.89	0.90	0.89	0.85	28584	2.45	0.55	5.9	183	300	o.r.
9600	1RQ8 717-2MA90-0CJ0	2989	560	97.1	97.1	96.8	96.0	0.91	0.92	0.92	0.90	30670	2.45	0.60	5.8	200	250	o.r.
10100	1RQ8 718-2MA90-0CJ0	2989	590	97.2	97.2	97.0	96.2	0.90	0.92	0.91	0.89	32268	2.35	0.50	5.7	216	310	o.r.
4-pole: n_{sync} = 1500 rpm at 50 Hz																		
1200	1RQ7 453-4MA90-0C.0	1488	76	95.0	95.6	95.6	95.1	0.87	0.87	0.83	0.74	7701	2.70	0.60	5.8	23	315	o.r.
1180	1RQ7 453-4MA90-0A.0	1485	75	94.8	95.4	95.5	95.1	0.87	0.87	0.83	0.75	7588	2.65	0.75	6.0	17	335	o.r.
1240	1RQ7 454-4MA90-0A.0	1486	78	95.0	95.6	95.6	95.1	0.88	0.87	0.82	0.73	7968	2.75	0.85	6.5	19	335	o.r.

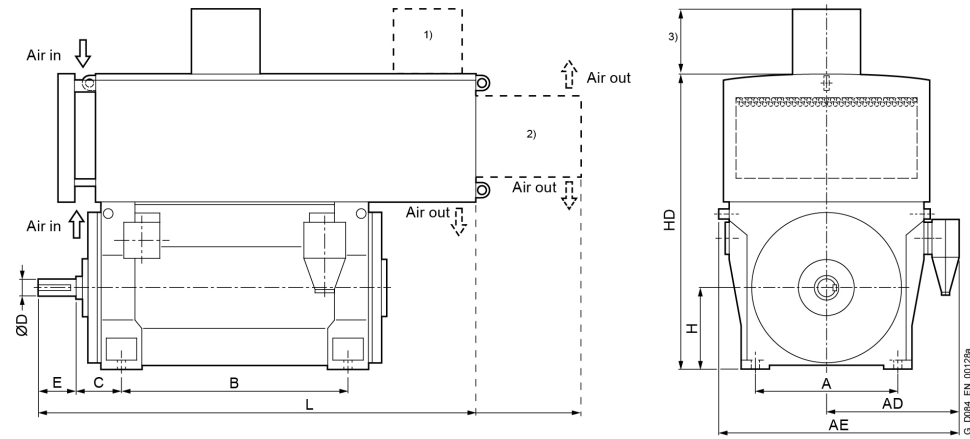
Innomotics HV M - 1RQ. IC666 11000 V / 50 Hz B3 (IM 1001)																		
Rated power IEC	Article No.	Speed	Rated current I_R	Efficiency				Power factor				Torque T_R	Breakdown torque T_B/ T_R	Locked rotor torque T_{LR}/ T_R	Locked rotor current I_{LR}/ I_R	Inertia		
				5/4 load	4/4 load	3/4 load	2/4 load	5/4 load	4/4 load	3/4 load	2/4 load					motor	external	Startup max T/TR
kW		rpm	A	%	%	%	%	cos φ	cos φ	cos φ	cos φ	Nm	[-]	[-]	[-]	kgm ²	kgm ²	[-]
1290	1RQ7 454-4MA90-0C.0	1488	80	95.2	95.7	95.8	95.3	0.88	0.88	0.84	0.77	8279	2.70	0.65	6.0	25	320	o.r.
1520	1RQ7 457-4MA90-0C.0	1489	94	95.6	96.1	96.1	95.6	0.89	0.88	0.85	0.77	9748	2.90	0.70	6.5	30	415	o.r.
1400	1RQ7 457-4MA90-0A.0	1486	85	95.2	95.8	96.1	95.8	0.90	0.90	0.88	0.83	8997	2.75	0.85	6.5	22	420	o.r.
1670	1RQ7 458-4MA90-0C.0	1489	102	95.7	96.2	96.3	95.9	0.89	0.89	0.86	0.79	10710	2.90	0.70	6.5	32	480	o.r.
1540	1RQ7 458-4MA90-0A.0	1486	94	95.4	96.0	96.2	96.0	0.90	0.90	0.88	0.83	9896	2.80	0.85	6.5	24	420	o.r.
1870	1RQ7 503-4MA90-0A.0	1486	114	95.6	96.1	96.5	96.2	0.89	0.89	0.89	0.85	12017	2.40	0.80	5.3	37	615	o.r.
1900	1RQ7 503-4MA90-0C.0	1488	116	95.6	96.2	96.5	96.2	0.88	0.89	0.89	0.86	12193	2.40	0.60	5.0	45	570	o.r.
2100	1RQ7 504-4MA90-0C.0	1491	132	96.1	96.4	96.4	95.8	0.88	0.86	0.83	0.75	13450	2.90	0.70	5.9	50	705	o.r.
1950	1RQ7 504-4MA90-0A.0	1487	118	95.6	96.2	96.5	96.3	0.89	0.90	0.90	0.87	12523	2.50	0.90	5.5	40	615	o.r.
2260	1RQ7 507-4MA90-0A.0	1487	136	96.0	96.5	96.7	96.5	0.90	0.90	0.89	0.85	14513	2.65	0.95	6.0	46	610	o.r.
2300	1RQ7 507-4MA90-0C.0	1489	138	96.1	96.6	96.8	96.5	0.90	0.90	0.89	0.86	14750	2.65	0.70	5.5	56	760	o.r.
2500	1RQ7 508-4MA90-0C.0	1490	152	96.3	96.6	96.8	96.4	0.89	0.89	0.88	0.83	16022	2.65	0.65	5.6	61	660	o.r.
2350	1RQ7 508-4MA90-0A.0	1487	142	96.0	96.5	96.8	96.6	0.90	0.90	0.90	0.87	15091	2.65	0.95	6.0	50	750	o.r.
2850	1RQ7 562-4MA90-0C.0	1490	176	96.2	96.6	96.9	96.6	0.87	0.88	0.87	0.83	18265	2.25	0.60	5.4	74	865	o.r.
3000	1RQ7 563-4MA90-0C.0	1491	185	96.3	96.7	96.9	96.6	0.88	0.88	0.87	0.83	19214	2.40	0.65	5.8	80	915	o.r.
3350	1RQ7 564-4MA90-0C.0	1491	204	96.4	96.8	97.1	96.9	0.88	0.89	0.89	0.86	21455	2.30	0.65	5.5	90	1020	o.r.
3600	1RQ7 566-4MA90-0C.0	1492	216	96.6	97.0	97.2	97.0	0.89	0.90	0.89	0.86	23041	2.50	0.75	6.0	100	1125	o.r.
3960	1RQ7 567-4MA90-0C.0	1492	238	96.8	97.1	97.3	97.1	0.90	0.90	0.90	0.86	25345	2.55	0.75	6.3	110	1215	o.r.
4260	1RQ7 568-4MA90-0C.0	1492	256	96.9	97.2	97.4	97.2	0.90	0.90	0.89	0.85	27265	2.65	0.75	6.5	119	1325	o.r.
5000	1RQ8 633-4MA90-0C.0	1492	305	96.5	96.8	96.7	96.1	0.88	0.89	0.88	0.83	32002	2.55	0.55	6.0	151	790	o.r.
5250	1RQ8 634-4MA90-0C.0	1493	320	96.6	96.8	96.7	96.1	0.88	0.89	0.87	0.81	33579	2.60	0.55	6.0	165	970	o.r.
5900	1RQ8 637-4MA90-0C.0	1493	355	96.8	97.0	97.0	96.4	0.89	0.90	0.88	0.83	37737	2.60	0.55	6.0	181	1000	o.r.
6500	1RQ8 638-4MA90-0C.0	1493	400	96.9	97.1	97.0	96.4	0.88	0.88	0.85	0.79	41574	2.60	0.55	6.0	196	1140	o.r.
6900	1RQ8 712-4MA90-0C.0	1492	415	96.7	97.1	97.1	96.7	0.89	0.90	0.90	0.87	44162	2.35	0.50	5.6	259	1000	o.r.
7400	1RQ8 713-4MA90-0C.0	1492	440	96.9	97.2	97.3	96.8	0.89	0.91	0.90	0.88	47362	2.45	0.50	5.9	284	1110	o.r.
8050	1RQ8 714-4MA90-0C.0	1492	475	97.0	97.3	97.4	97.0	0.90	0.91	0.91	0.88	51523	2.55	0.55	6.0	312	1200	o.r.
8700	1RQ8 717-4MA90-0C.0	1493	520	97.1	97.4	97.4	97.0	0.90	0.91	0.91	0.88	55646	2.60	0.55	6.0	344	1410	o.r.
9350	1RQ8 718-4MA90-0C.0	1493	560	97.2	97.5	97.5	97.0	0.89	0.90	0.89	0.84	59803	2.60	0.50	6.0	360	1540	o.r.
6-pole: n_{sync} = 1000 rpm at 50 Hz																		
830	1RQ7 452-6MA90-0A.0	990	55	94.1	94.9	95.2	95.0	0.84	0.84	0.80	0.70	8006	2.45	0.80	5.5	20	385	o.r.
860	1RQ7 452-6MA90-0C.0	990	56	93.9	94.9	95.2	95.1	0.85	0.85	0.83	0.75	8295	2.35	0.70	5.4	27	465	o.r.
900	1RQ7 453-6MA90-0A.0	990	58	94.3	95.1	95.4	95.2	0.85	0.85	0.81	0.72	8681	2.45	0.85	5.5	22	395	o.r.
920	1RQ7 453-6MA90-0C.0	991	59	94.3	95.1	95.3	95.2	0.85	0.86	0.82	0.74	8865	2.50	0.80	5.5	30	470	o.r.
980	1RQ7 454-6MA90-0A.0	990	63	94.5	95.3	95.6	95.4	0.85	0.86	0.82	0.74	9453	2.45	0.85	5.5	24	450	o.r.
1000	1RQ7 454-6MA90-0C.0	991	64	94.5	95.2	95.5	95.4	0.86	0.86	0.83	0.76	9636	2.50	0.80	5.5	33	550	o.r.
1080	1RQ7 457-6MA90-0A.0	990	68	94.6	95.4	95.8	95.7	0.86	0.87	0.84	0.77	10417	2.40	0.85	5.5	28	530	o.r.
1100	1RQ7 457-6MA90-0C.0	991	70	94.6	95.4	95.7	95.6	0.87	0.87	0.84	0.78	10600	2.50	0.80	5.5	36	645	o.r.

Innomotics HV M - 1RQ. IC666 11000 V / 50 Hz B3 (IM 1001)																			
Rated power IEC	Article No.	Speed	Rated current		Efficiency				Power factor				Torque	Breakdown torque	Locked rotor torque	Locked rotor current	Inertia		
			I_R	I_{LR}	5/4 load	4/4 load	3/4 load	2/4 load	5/4 load	4/4 load	3/4 load	2/4 load					T_R	T_B/ T_R	T_{LR}/ T_R
kW		rpm	A	%	%	%	%	cos φ	cos φ	cos φ	cos φ	Nm	[-]	[-]	[-]	kgm ²	kgm ²	[-]	
1200	1RQ7 458-6MA90-0C.0	991	75	94.8	95.6	95.9	95.9	0.87	0.88	0.85	0.79	11563	2.50	0.80	5.5	41	740	o.r.	
1180	1RQ7 458-6MA90-0A.0	990	74	94.8	95.6	96.0	96.0	0.87	0.87	0.85	0.79	11382	2.35	0.85	5.5	31	615	o.r.	
1400	1RQ7 502-6MA90-0C.0	993	90	95.5	96.0	96.1	95.8	0.85	0.85	0.80	0.71	13463	2.65	0.85	5.4	54	1130	o.r.	
1350	1RQ7 502-6MA90-0A.0	991	86	95.0	95.7	96.1	95.9	0.85	0.86	0.84	0.78	13009	2.35	0.90	5.0	42	750	o.r.	
1600	1RQ7 503-6MA90-0C.0	993	102	95.6	96.2	96.3	96.0	0.85	0.85	0.81	0.72	15387	2.65	0.90	5.4	60	1250	o.r.	
1530	1RQ7 503-6MA90-0A.0	991	96	95.1	95.8	96.2	96.1	0.85	0.87	0.85	0.79	14743	2.25	0.90	4.9	46	860	o.r.	
1630	1RQ7 504-6MA90-0A.0	992	104	95.5	96.0	96.3	96.0	0.85	0.85	0.82	0.72	15691	2.65	1.10	5.7	51	980	o.r.	
1750	1RQ7 504-6MA90-0C.0	993	112	95.8	96.3	96.4	96.1	0.85	0.85	0.81	0.72	16829	2.70	0.85	5.4	66	1400	o.r.	
1920	1RQ7 507-6MA90-0C.0	994	124	96.0	96.5	96.5	96.2	0.84	0.84	0.79	0.69	18445	2.75	0.85	5.4	74	1600	o.r.	
1830	1RQ7 507-6MA90-0A.0	992	114	95.6	96.1	96.5	96.3	0.86	0.87	0.85	0.78	17616	2.50	1.00	5.4	58	1150	o.r.	
2000	1RQ7 508-6MA90-0A.0	992	126	95.8	96.3	96.7	96.5	0.86	0.87	0.84	0.77	19253	2.60	0.95	5.6	63	1350	o.r.	
2050	1RQ7 508-6MA90-0C.0	994	128	96.0	96.6	96.7	96.5	0.87	0.87	0.84	0.78	19694	2.65	0.85	5.5	81	1800	o.r.	
2240	1RQ7 561-6MA90-0C.0	993	144	95.7	96.3	96.3	96.0	0.85	0.85	0.83	0.76	21541	2.55	0.70	5.6	96	1090	o.r.	
2600	1RQ7 562-6MA90-0C.0	993	166	96.0	96.5	96.5	96.2	0.84	0.85	0.83	0.75	25003	2.50	0.65	5.5	105	1450	o.r.	
2800	1RQ7 564-6MA90-0C.0	993	174	96.1	96.6	96.7	96.5	0.86	0.87	0.85	0.81	26927	2.50	0.65	5.6	123	1550	o.r.	
3150	1RQ7 567-6MA90-0C.0	994	198	96.3	96.8	96.8	96.5	0.86	0.86	0.84	0.77	30262	2.75	0.70	6.0	134	1790	o.r.	
3300	1RQ7 568-6MA90-0C.0	995	210	96.5	96.9	96.8	96.4	0.86	0.86	0.83	0.75	31671	3.05	0.80	6.5	150	2090	o.r.	
3750	1RQ8 632-6MA90-0C.0	993	235	96.1	96.5	96.5	95.8	0.85	0.86	0.82	0.73	36062	2.45	0.60	5.5	193	2610	o.r.	
4000	1RQ8 633-6MA90-0C.0	994	255	96.2	96.5	96.5	95.9	0.85	0.85	0.81	0.71	38428	2.50	0.60	5.5	208	2890	o.r.	
4400	1RQ8 634-6MA90-0C.0	994	280	96.4	96.7	96.7	96.1	0.85	0.86	0.82	0.74	42271	2.50	0.60	5.5	227	3060	o.r.	
4750	1RQ8 637-6MA90-0C.0	994	295	96.4	96.7	96.8	96.2	0.86	0.87	0.83	0.75	45633	2.50	0.60	5.5	245	3230	o.r.	
4900	1RQ8 638-6MA90-0C.0	994	310	96.5	96.8	96.8	96.2	0.86	0.86	0.82	0.73	47074	2.55	0.60	5.5	263	3890	o.r.	
5550	1RQ8 712-6MA90-0C.0	994	345	96.7	97.0	97.1	96.6	0.86	0.87	0.84	0.77	53319	2.50	0.55	5.5	331	2970	o.r.	
6050	1RQ8 713-6MA90-0C.0	994	375	96.8	97.2	97.2	96.8	0.86	0.87	0.85	0.79	58122	2.40	0.55	5.5	373	3500	o.r.	
6550	1RQ8 714-6MA90-0C.0	995	400	96.9	97.2	97.3	96.9	0.86	0.88	0.86	0.80	62862	2.40	0.55	5.5	422	4160	o.r.	
7200	1RQ8 717-6MA90-0C.0	995	440	97.0	97.3	97.4	97.0	0.87	0.88	0.86	0.80	69100	2.45	0.50	5.5	475	4860	o.r.	
7750	1RQ8 718-6MA90-0C.0	995	470	97.1	97.4	97.5	97.2	0.88	0.89	0.87	0.82	74379	2.45	0.55	5.5	522	5280	o.r.	
8-pole: n_{sync} = 750 rpm at 50 Hz																			
520	1RQ7 451-8MA90-0A.0	743	37	93.2	94.2	94.4	93.8	0.80	0.78	0.70	0.55	6683	2.50	0.80	5.5	23	410	o.r.	
540	1RQ7 451-8MA90-0C.0	743	38	93.3	94.2	94.5	94.0	0.82	0.80	0.73	0.59	6940	2.70	0.75	5.5	30	490	o.r.	
580	1RQ7 452-8MA90-0A.0	743	40	93.4	94.4	94.7	94.4	0.81	0.80	0.73	0.59	7454	2.50	0.80	5.5	25	470	o.r.	
590	1RQ7 452-8MA90-0C.0	743	40	93.5	94.5	94.7	94.4	0.83	0.81	0.75	0.62	7583	2.65	0.75	5.5	32	600	o.r.	
660	1RQ7 453-8MA90-0A.0	743	46	94.0	94.9	95.1	94.7	0.81	0.79	0.72	0.57	8483	2.55	0.85	5.5	28	750	o.r.	
680	1RQ7 453-8MA90-0C.0	743	46	94.1	94.9	95.1	94.8	0.82	0.81	0.74	0.61	8740	2.75	0.80	5.5	36	890	o.r.	
750	1RQ7 454-8MA90-0A.0	744	53	94.3	95.1	95.2	94.7	0.80	0.78	0.68	0.52	9626	2.75	0.95	5.5	31	890	o.r.	
760	1RQ7 454-8MA90-0C.0	744	52	94.4	95.2	95.3	94.8	0.81	0.80	0.71	0.56	9755	2.95	0.80	5.8	40	1060	o.r.	
830	1RQ7 457-8MA90-0A.0	744	58	94.5	95.2	95.4	95.0	0.81	0.79	0.71	0.57	10653	2.75	0.95	5.5	35	1020	o.r.	

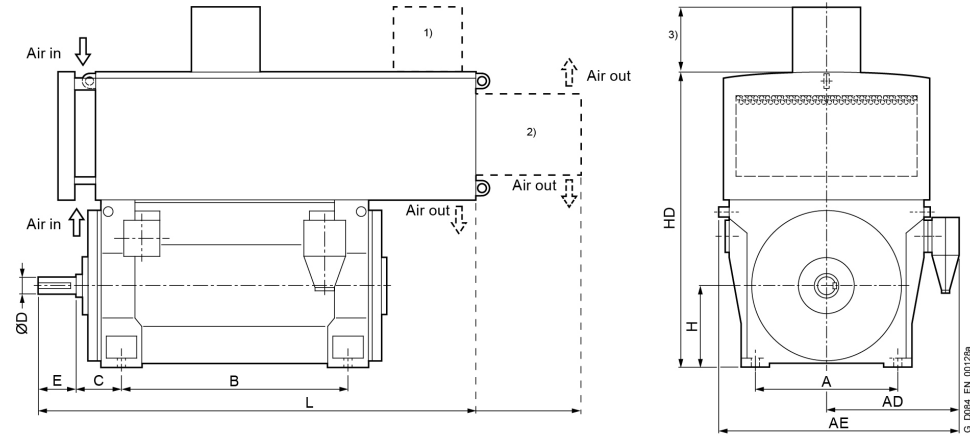
Innomotics HV M - 1RQ. IC666 11000 V / 50 Hz B3 (IM 1001)																		
Rated power IEC	Article No.	Speed	Rated current I_R	Efficiency				Power factor				Torque T_R	Breakdown torque T_B/ T_R	Locked torque T_{LR}/ T_R	Locked rotor current I_{LR}/ I_R	Inertia		
				5/4 load	4/4 load	3/4 load	2/4 load	5/4 load	4/4 load	3/4 load	2/4 load					motor	external	Startup max T/TR
kW		rpm	A	%	%	%	%	$\cos \varphi$	$\cos \varphi$	$\cos \varphi$	$\cos \varphi$	Nm	[-]	[-]	[-]	kgm ²	kgm ²	[-]
840	1RQ7 457-8MA90-0C.0	744	58	94.6	95.3	95.4	95.0	0.82	0.80	0.73	0.59	10781	2.95	0.80	5.8	45	1220	o.r.
880	1RQ7 458-8MA90-0A.0	744	61	94.6	95.4	95.5	95.0	0.81	0.79	0.71	0.56	11295	2.80	0.95	5.7	39	1200	o.r.
900	1RQ7 458-8MA90-0C.0	744	62	94.7	95.4	95.5	95.1	0.82	0.80	0.73	0.59	11552	2.95	0.80	5.8	50	1330	o.r.
1000	1RQ7 501-8MA90-0A.0	744	70	95.0	95.5	95.7	95.4	0.80	0.79	0.74	0.62	12835	2.40	0.85	4.7	42	1570	o.r.
1000	1RQ7 501-8MA90-0C.0	743	67	94.7	95.4	95.8	95.6	0.82	0.82	0.78	0.69	12852	2.30	0.60	4.3	55	1460	o.r.
1100	1RQ7 502-8MA90-0A.0	744	78	95.0	95.5	95.9	95.6	0.81	0.78	0.75	0.64	14119	2.50	0.90	4.7	46	1400	o.r.
1100	1RQ7 502-8MA90-0C.0	743	74	94.8	95.5	96.0	95.9	0.82	0.82	0.79	0.71	14138	2.35	0.65	4.4	59	1660	o.r.
1250	1RQ7 503-8MA90-0A.0	744	85	95.1	95.7	96.1	95.9	0.81	0.81	0.77	0.67	16044	2.30	0.85	4.6	51	1510	o.r.
1370	1RQ7 507-8MA90-0A.0	744	92	95.6	96.1	96.3	96.0	0.82	0.81	0.76	0.66	17584	2.55	1.00	5.2	63	2710	o.r.
1400	1RQ7 507-8MA90-0C.0	743	91	95.2	95.9	96.4	96.3	0.84	0.84	0.81	0.73	17993	2.30	0.65	4.4	80	2240	o.r.
1550	1RQ7 508-8MA90-0A.0	745	106	95.7	96.1	96.3	96.0	0.81	0.80	0.75	0.63	19868	2.65	1.05	5.3	69	2610	o.r.
1600	1RQ7 508-8MA90-0C.0	744	106	95.7	96.2	96.4	96.2	0.83	0.83	0.78	0.68	20536	2.65	0.70	5.0	88	3010	o.r.
1800	1RQ7 563-8MA90-0C.0	745	120	95.6	96.0	96.3	95.9	0.82	0.82	0.79	0.70	23072	2.35	0.65	5.1	124	2810	o.r.
2000	1RQ7 564-8MA90-0C.0	744	134	95.7	96.1	96.5	96.3	0.82	0.82	0.80	0.73	25670	2.20	0.60	4.9	137	3135	o.r.
2240	1RQ7 567-8MA90-0C.0	745	150	95.9	96.1	96.6	96.4	0.83	0.82	0.80	0.72	28712	2.30	0.65	5.0	150	4020	o.r.
2500	1RQ7 568-8MA90-0C.0	744	166	96.1	96.2	96.8	96.4	0.83	0.82	0.80	0.73	32088	2.30	0.65	5.1	165	5205	o.r.
2950	1RQ8 634-8MA90-0C.0	744	188	95.5	96.1	96.1	95.7	0.85	0.86	0.83	0.76	37863	2.15	0.50	4.8	251	3210	o.r.
3350	1RQ8 637-8MA90-0C.0	744	210	95.9	96.3	96.3	95.9	0.86	0.87	0.83	0.75	42998	2.30	0.50	5.0	292	4650	o.r.
3550	1RQ8 638-8MA90-0C.0	744	220	96.0	96.5	96.5	96.1	0.87	0.87	0.83	0.76	45565	2.35	0.55	5.2	326	5480	o.r.
3800	1RQ8 712-8MA90-0C.0	746	240	96.2	96.6	96.5	96.0	0.86	0.86	0.81	0.72	48643	2.55	0.60	5.5	421	3900	o.r.
4150	1RQ8 713-8MA90-0C.0	746	260	96.4	96.7	96.6	96.0	0.86	0.86	0.81	0.71	53123	2.55	0.60	5.5	470	4270	o.r.
4650	1RQ8 714-8MA90-0C.0	746	290	96.5	96.8	96.7	96.3	0.87	0.87	0.82	0.74	59523	2.55	0.55	5.5	539	4260	o.r.
4950	1RQ8 717-8MA90-0C.0	746	305	96.5	96.9	96.9	96.6	0.87	0.88	0.84	0.77	63363	2.45	0.50	5.4	616	4640	o.r.
5300	1RQ8 718-8MA90-0C.0	746	330	96.6	97.0	97.0	96.7	0.87	0.87	0.84	0.77	67844	2.35	0.50	5.1	677	4860	o.r.



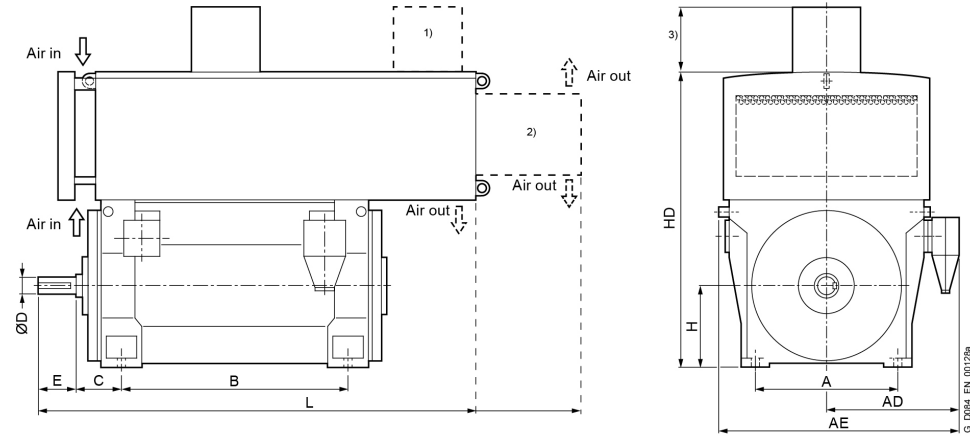
Motor type	Weight kg	Dimensions										
		A mm	AD mm	AE mm	B mm	C mm	D mm	E mm	H mm	HD mm	L mm	ML mm
Innomotics HV M - 1RQ. IC666 11000 V / 50 Hz B3 (IM 1001) - Dimension drawings												
2-pole												
1RQ7 453-2MA90-0AA0	5100	850	1140	1760	1180	250	95	130	450	3160	2640	o.r.
1RQ7 453-2MA90-0AC0	5000	850	1140	1760	1180	475	95	130	450	3160	2870	o.r.
1RQ7 453-2MA90-0CA0	5200	850	1140	1760	1180	250	95	130	450	3160	2640	o.r.
1RQ7 453-2MA90-0CC0	5100	850	1140	1760	1180	475	95	130	450	3160	2870	o.r.
1RQ7 454-2MA90-0AA0	5200	850	1140	1760	1180	250	95	130	450	3160	2640	o.r.
1RQ7 454-2MA90-0AC0	5100	850	1140	1760	1180	475	95	130	450	3160	2870	o.r.
1RQ7 454-2MA90-0CA0	5300	850	1140	1760	1180	250	95	130	450	3160	2640	o.r.
1RQ7 454-2MA90-0CC0	5200	850	1140	1760	1180	475	95	130	450	3160	2870	o.r.
1RQ7 457-2MA90-0AA0	5550	850	1140	1760	1400	250	95	130	450	3160	2850	o.r.
1RQ7 457-2MA90-0AC0	5450	850	1140	1760	1400	475	95	130	450	3160	3080	o.r.
1RQ7 457-2MA90-0CA0	5650	850	1140	1760	1400	250	95	130	450	3160	2850	o.r.
1RQ7 457-2MA90-0CC0	5600	850	1140	1760	1400	475	95	130	450	3160	3080	o.r.
1RQ7 458-2MA90-0AA0	5700	850	1140	1760	1400	250	95	130	450	3160	2850	o.r.
1RQ7 458-2MA90-0AC0	5600	850	1140	1760	1400	475	95	130	450	3160	3080	o.r.
1RQ7 458-2MA90-0CA0	5850	850	1140	1760	1400	250	95	130	450	3160	2850	o.r.
1RQ7 458-2MA90-0CC0	5800	850	1140	1760	1400	475	95	130	450	3160	3080	o.r.
1RQ7 502-2MA90-0CA0	6400	950	1220	1920	1320	250	110	165	500	3370	2920	o.r.
1RQ7 502-2MA90-0CC0	6300	950	1220	1920	1320	530	120	165	500	3370	3200	o.r.
1RQ7 503-2MA90-0CA0	7050	950	1220	1920	1320	250	110	165	500	3370	2920	o.r.
1RQ7 503-2MA90-0CC0	7000	950	1220	1920	1320	530	120	165	500	3370	3200	o.r.
1RQ7 503-2MA90-0AA0	6900	950	1220	1920	1320	250	110	165	500	3370	2920	o.r.
1RQ7 503-2MA90-0AC0	6850	950	1220	1920	1320	530	120	165	500	3370	3200	o.r.



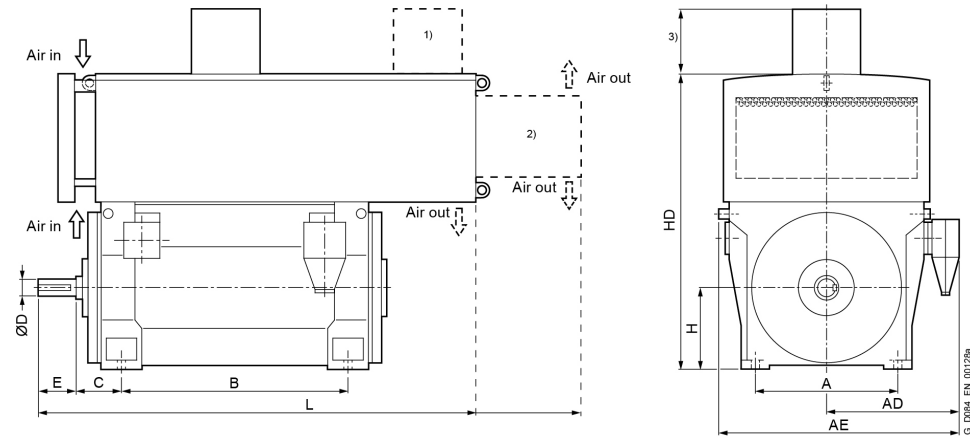
Motor type	Weight	Dimensions												
		A	AD	AE	B	C	D	E	H	HD	L	ML		
	kg	mm	mm	mm	mm	mm	mm	mm	mm	mm	mm	mm	mm	
Innomotics HV M - 1RQ. IC666 11000 V / 50 Hz B3 (IM 1001) - Dimension drawings														
1RQ7 504-2MA90-0AA0	7000	950	1220	1920	1320	250	110	165	500	3370	2920	o.r.		
1RQ7 504-2MA90-0AC0	6950	950	1220	1920	1320	530	120	165	500	3370	3200	o.r.		
1RQ7 507-2MA90-0CA0	7850	950	1220	1920	1500	250	110	165	500	3370	3130	o.r.		
1RQ7 507-2MA90-0CC0	7800	950	1220	1920	1500	530	120	165	500	3370	3410	o.r.		
1RQ7 507-2MA90-0AA0	7650	950	1220	1920	1500	250	110	165	500	3370	3130	o.r.		
1RQ7 507-2MA90-0AC0	7600	950	1220	1920	1500	530	120	165	500	3370	3410	o.r.		
1RQ7 508-2MA90-0CA0	8200	950	1220	1920	1500	250	110	165	500	3370	3130	o.r.		
1RQ7 508-2MA90-0CC0	8150	950	1220	1920	1500	530	120	165	500	3370	3410	o.r.		
1RQ7 508-2MA90-0AA0	8000	950	1220	1920	1500	250	110	165	500	3370	3130	o.r.		
1RQ7 508-2MA90-0AC0	7950	950	1220	1920	1500	530	120	165	500	3370	3410	o.r.		
1RQ7 562-2MA90-0CC0	8600	1060	1290	2060	1400	600	150	200	560	3650	3440	o.r.		
1RQ7 563-2MA90-0CC0	8850	1060	1290	2060	1400	600	150	200	560	3650	3440	o.r.		
1RQ7 564-2MA90-0CC0	9100	1060	1290	2060	1400	600	150	200	560	3650	3440	o.r.		
1RQ7 567-2MA90-0CC0	10000	1060	1290	2060	1600	600	150	200	560	3650	3670	o.r.		
1RQ7 568-2MA90-0CC0	10550	1060	1290	2060	1600	600	150	200	560	3650	3670	o.r.		
1RQ8 632-2MA90-0CJ0	10600	1320	1520	2520	1600	560	160	240	630	3210	4060	o.r.		
1RQ8 633-2MA90-0CJ0	11150	1320	1520	2520	1600	560	160	240	630	3210	4060	o.r.		
1RQ8 634-2MA90-0CJ0	11650	1320	1520	2520	1600	560	160	240	630	3210	4060	o.r.		
1RQ8 637-2MA90-0CJ0	12550	1320	1520	2520	1800	560	160	240	630	3210	4260	o.r.		
1RQ8 638-2MA90-0CJ0	13150	1320	1520	2520	1800	560	160	240	630	3210	4260	o.r.		
1RQ8 712-2MA90-0CJ0	14600	1500	1620	2720	2000	560	180	240	710	4240	4070	o.r.		
1RQ8 713-2MA90-0CJ0	15050	1500	1620	2720	2000	560	180	240	710	4240	4070	o.r.		
1RQ8 714-2MA90-0CJ0	15700	1500	1620	2720	2000	560	180	240	710	4240	4070	o.r.		



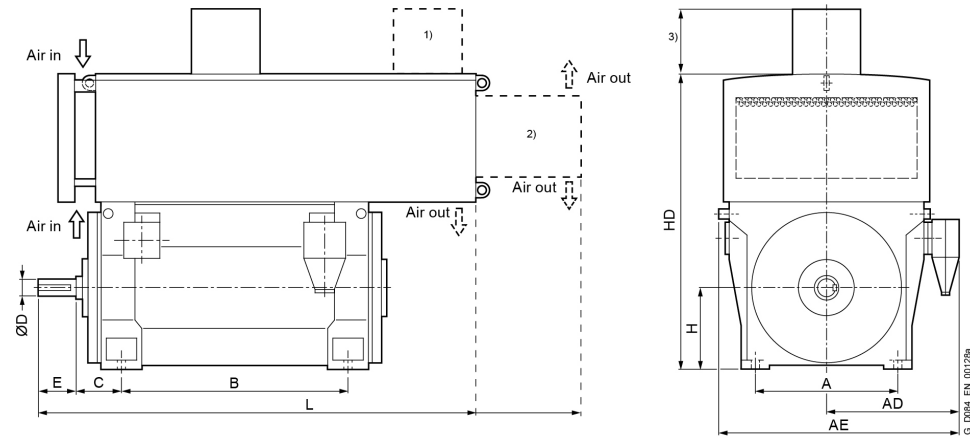
Motor type	Weight	Dimensions											
		A	AD	AE	B	C	D	E	H	HD	L	ML	
	kg	mm	mm	mm	mm	mm	mm	mm	mm	mm	mm	mm	mm
Innomotics HV M - 1RQ. IC666 11000 V / 50 Hz B3 (IM 1001) - Dimension drawings													
1RQ8 716-2MA90-0CJ0	16900	1500	1620	2720	2240	560	180	240	710	4240	4310	o.r.	
1RQ8 717-2MA90-0CJ0	17700	1500	1620	2720	2240	560	180	240	710	4240	4310	o.r.	
1RQ8 718-2MA90-0CJ0	18700	1500	1620	2720	2240	560	180	240	710	4240	4310	o.r.	
4-pole													
1RQ7 453-4MA90-0CA0	5200	850	1140	1760	1180	250	130	200	450	3160	2710	o.r.	
1RQ7 453-4MA90-0CC0	5250	850	1140	1760	1180	500	130	200	450	3160	2960	o.r.	
1RQ7 453-4MA90-0AA0	5100	850	1140	1760	1180	250	130	200	450	3160	2710	o.r.	
1RQ7 453-4MA90-0AC0	5100	850	1140	1760	1180	500	130	200	450	3160	2960	o.r.	
1RQ7 454-4MA90-0AA0	5250	850	1140	1760	1180	250	130	200	450	3160	2710	o.r.	
1RQ7 454-4MA90-0AC0	5250	850	1140	1760	1180	500	130	200	450	3160	2960	o.r.	
1RQ7 454-4MA90-0CA0	5400	850	1140	1760	1180	250	130	200	450	3160	2710	o.r.	
1RQ7 454-4MA90-0CC0	5400	850	1140	1760	1180	500	130	200	450	3160	2960	o.r.	
1RQ7 457-4MA90-0CA0	6000	850	1140	1760	1400	250	130	200	450	3160	2920	o.r.	
1RQ7 457-4MA90-0CC0	6000	850	1140	1760	1400	500	130	200	450	3160	3170	o.r.	
1RQ7 457-4MA90-0AA0	5800	850	1140	1760	1400	250	130	200	450	3160	2920	o.r.	
1RQ7 457-4MA90-0AC0	5850	850	1140	1760	1400	500	130	200	450	3160	3170	o.r.	
1RQ7 458-4MA90-0CA0	6200	850	1140	1760	1400	250	130	200	450	3160	2920	o.r.	
1RQ7 458-4MA90-0CC0	6250	850	1140	1760	1400	500	130	200	450	3160	3170	o.r.	
1RQ7 458-4MA90-0AA0	6000	850	1140	1760	1400	250	130	200	450	3160	2920	o.r.	
1RQ7 458-4MA90-0AC0	6050	850	1140	1760	1400	500	130	200	450	3160	3170	o.r.	
1RQ7 503-4MA90-0AA0	7150	950	1220	1920	1320	315	160	240	500	3370	3060	o.r.	
1RQ7 503-4MA90-0AC0	7250	950	1220	1920	1320	560	170	240	500	3370	3300	o.r.	
1RQ7 503-4MA90-0CA0	7300	950	1220	1920	1320	315	160	240	500	3370	3060	o.r.	



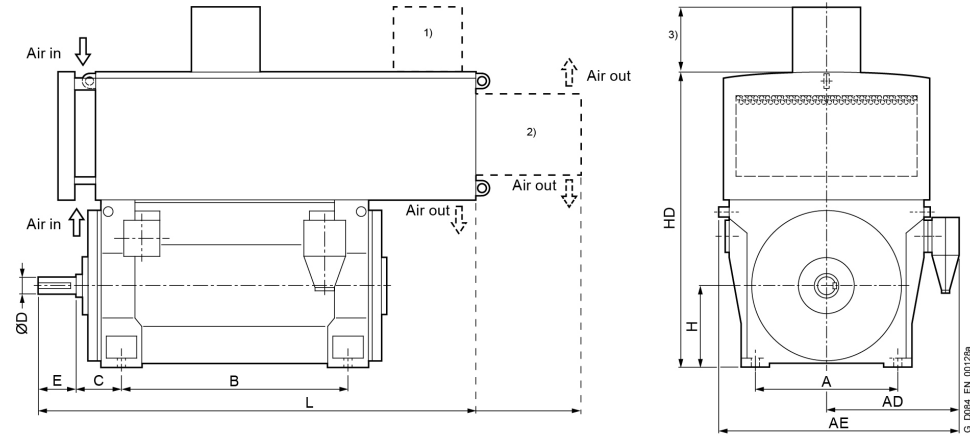
Motor type	Weight kg	Dimensions												
		A mm	AD mm	AE mm	B mm	C mm	D mm	E mm	H mm	HD mm	L mm	ML mm		
Innomotics HV M - 1RQ. IC666 11000 V / 50 Hz B3 (IM 1001) - Dimension drawings														
1RQ7 503-4MA90-0CC0	7400	950	1220	1920	1320	560	170	240	500	3370	3300	o.r.		
1RQ7 504-4MA90-0CA0	7600	950	1220	1920	1320	315	160	240	500	3370	3060	o.r.		
1RQ7 504-4MA90-0CC0	7650	950	1220	1920	1320	560	170	240	500	3370	3300	o.r.		
1RQ7 504-4MA90-0AA0	7400	950	1220	1920	1320	315	160	240	500	3370	3060	o.r.		
1RQ7 504-4MA90-0AC0	7500	950	1220	1920	1320	560	170	240	500	3370	3300	o.r.		
1RQ7 507-4MA90-0AA0	8100	950	1220	1920	1500	315	160	240	500	3370	3270	o.r.		
1RQ7 507-4MA90-0AC0	8200	950	1220	1920	1500	560	170	240	500	3370	3510	o.r.		
1RQ7 507-4MA90-0CA0	8300	950	1220	1920	1500	315	160	240	500	3370	3270	o.r.		
1RQ7 507-4MA90-0CC0	8350	950	1220	1920	1500	560	170	240	500	3370	3510	o.r.		
1RQ7 508-4MA90-0CA0	8600	950	1220	1920	1500	315	160	240	500	3370	3270	o.r.		
1RQ7 508-4MA90-0CC0	8650	950	1220	1920	1500	560	170	240	500	3370	3510	o.r.		
1RQ7 508-4MA90-0AA0	8400	950	1220	1920	1500	315	160	240	500	3370	3270	o.r.		
1RQ7 508-4MA90-0AC0	8500	950	1220	1920	1500	560	170	240	500	3370	3510	o.r.		
1RQ7 562-4MA90-0CA0	8650	1060	1290	2060	1400	335	190	280	560	3650	3250	o.r.		
1RQ7 562-4MA90-0CC0	8750	1060	1290	2060	1400	600	190	280	560	3650	3520	o.r.		
1RQ7 563-4MA90-0CA0	8900	1060	1290	2060	1400	335	190	280	560	3650	3250	o.r.		
1RQ7 563-4MA90-0CC0	8950	1060	1290	2060	1400	600	190	280	560	3650	3520	o.r.		
1RQ7 564-4MA90-0CA0	9350	1060	1290	2060	1400	335	190	280	560	3650	3250	o.r.		
1RQ7 564-4MA90-0CC0	9400	1060	1290	2060	1400	600	190	280	560	3650	3520	o.r.		
1RQ7 566-4MA90-0CA0	10200	1060	1290	2060	1600	335	190	280	560	3650	3480	o.r.		
1RQ7 566-4MA90-0CC0	10250	1060	1290	2060	1600	600	190	280	560	3650	3750	o.r.		
1RQ7 567-4MA90-0CA0	10650	1060	1290	2060	1600	335	190	280	560	3650	3480	o.r.		
1RQ7 567-4MA90-0CC0	10700	1060	1290	2060	1600	600	190	280	560	3650	3750	o.r.		



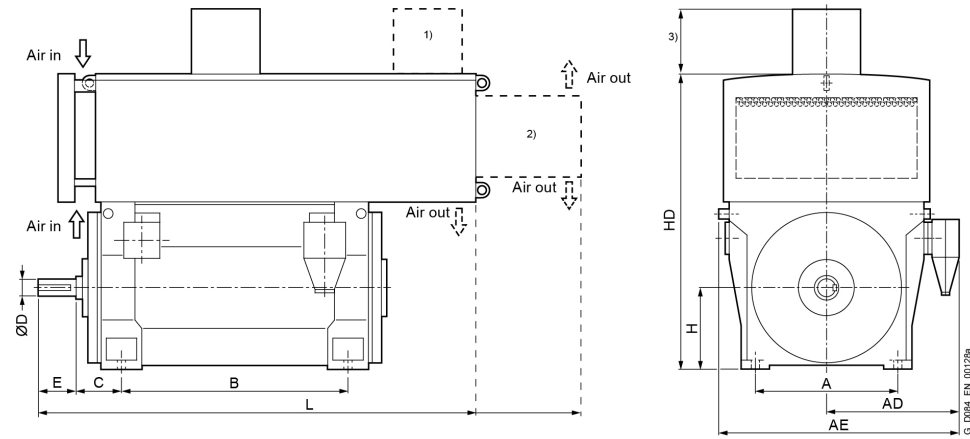
Motor type	Weight	Dimensions										
		A	AD	AE	B	C	D	E	H	HD	L	ML
	kg	mm	mm	mm	mm	mm	mm	mm	mm	mm	mm	mm
Innomotics HV M - 1RQ. IC666 11000 V / 50 Hz B3 (IM 1001) - Dimension drawings												
1RQ7 568-4MA90-OCA0	11100	1060	1290	2060	1600	335	190	280	560	3650	3480	o.r.
1RQ7 568-4MA90-OCC0	11150	1060	1290	2060	1600	600	190	280	560	3650	3750	o.r.
1RQ8 633-4MA90-OCG0	11850	1320	1520	2520	1600	375	200	280	630	3210	3920	o.r.
1RQ8 633-4MA90-OCJ0	11950	1320	1520	2520	1600	630	200	280	630	3210	4170	o.r.
1RQ8 634-4MA90-OCG0	12300	1320	1520	2520	1600	375	200	280	630	3210	3920	o.r.
1RQ8 634-4MA90-OCJ0	12400	1320	1520	2520	1600	630	200	280	630	3210	4170	o.r.
1RQ8 637-4MA90-OCG0	13250	1320	1520	2520	1800	375	200	280	630	3210	4120	o.r.
1RQ8 637-4MA90-OCJ0	13350	1320	1520	2520	1800	630	200	280	630	3210	4370	o.r.
1RQ8 638-4MA90-OCG0	13850	1320	1520	2520	1800	375	200	280	630	3210	4120	o.r.
1RQ8 638-4MA90-OCJ0	13950	1320	1520	2520	1800	630	200	280	630	3210	4370	o.r.
1RQ8 712-4MA90-OCG0	15550	1500	1620	2720	2000	375	220	280	710	4240	3920	o.r.
1RQ8 712-4MA90-OCJ0	15700	1500	1620	2720	2000	630	220	280	710	4240	4180	o.r.
1RQ8 713-4MA90-OCG0	16200	1500	1620	2720	2000	375	220	280	710	4240	3920	o.r.
1RQ8 713-4MA90-OCJ0	16350	1500	1620	2720	2000	630	220	280	710	4240	4180	o.r.
1RQ8 714-4MA90-OCG0	17000	1500	1620	2720	2000	375	220	280	710	4240	3920	o.r.
1RQ8 714-4MA90-OCJ0	17150	1500	1620	2720	2000	630	220	280	710	4240	4180	o.r.
1RQ8 717-4MA90-OCG0	18300	1500	1620	2720	2240	375	220	280	710	4240	4160	o.r.
1RQ8 717-4MA90-OCJ0	18400	1500	1620	2720	2240	630	220	280	710	4240	4420	o.r.
1RQ8 718-4MA90-OCG0	18850	1500	1620	2720	2240	375	220	280	710	4240	4160	o.r.
1RQ8 718-4MA90-OCJ0	19000	1500	1620	2720	2240	630	220	280	710	4240	4420	o.r.
6-pole												
1RQ7 452-6MA90-0AA0	4950	850	1140	1760	1180	250	130	200	450	3160	2710	o.r.
1RQ7 452-6MA90-0AC0	5000	850	1140	1760	1180	500	130	200	450	3160	2960	o.r.



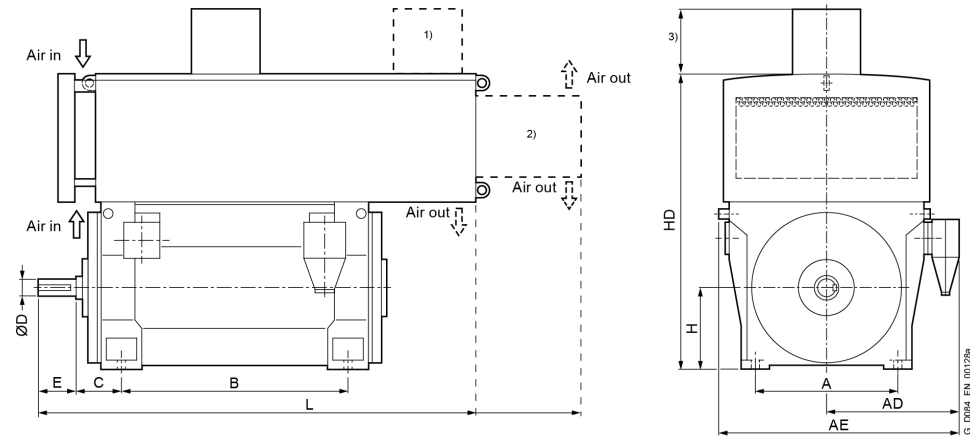
Motor type	Weight	Dimensions												
		A	AD	AE	B	C	D	E	H	HD	L	ML		
	kg	mm	mm	mm	mm	mm	mm	mm	mm	mm	mm	mm	mm	
Innomotics HV M - 1RQ. IC666 11000 V / 50 Hz B3 (IM 1001) - Dimension drawings														
1RQ7 452-6MA90-OCA0	5100	850	1140	1760	1180	250	130	200	450	3160	2710	o.r.		
1RQ7 452-6MA90-OCC0	5150	850	1140	1760	1180	500	130	200	450	3160	2960	o.r.		
1RQ7 453-6MA90-OAA0	5100	850	1140	1760	1180	250	130	200	450	3160	2710	o.r.		
1RQ7 453-6MA90-OAC0	5100	850	1140	1760	1180	500	130	200	450	3160	2960	o.r.		
1RQ7 453-6MA90-OCA0	5250	850	1140	1760	1180	250	130	200	450	3160	2710	o.r.		
1RQ7 453-6MA90-OCC0	5300	850	1140	1760	1180	500	130	200	450	3160	2960	o.r.		
1RQ7 454-6MA90-OAA0	5250	850	1140	1760	1180	250	130	200	450	3160	2710	o.r.		
1RQ7 454-6MA90-OAC0	5300	850	1140	1760	1180	500	130	200	450	3160	2960	o.r.		
1RQ7 454-6MA90-OCA0	5450	850	1140	1760	1180	250	130	200	450	3160	2710	o.r.		
1RQ7 454-6MA90-OCC0	5450	850	1140	1760	1180	500	130	200	450	3160	2960	o.r.		
1RQ7 457-6MA90-OAA0	5700	850	1140	1760	1400	250	130	200	450	3160	2920	o.r.		
1RQ7 457-6MA90-OAC0	5750	850	1140	1760	1400	500	130	200	450	3160	3170	o.r.		
1RQ7 457-6MA90-OCA0	5900	850	1140	1760	1400	250	130	200	450	3160	2920	o.r.		
1RQ7 457-6MA90-OCC0	5950	850	1140	1760	1400	500	130	200	450	3160	3170	o.r.		
1RQ7 458-6MA90-OCA0	6200	850	1140	1760	1400	250	130	200	450	3160	2920	o.r.		
1RQ7 458-6MA90-OCC0	6250	850	1140	1760	1400	500	130	200	450	3160	3170	o.r.		
1RQ7 458-6MA90-OAA0	6000	850	1140	1760	1400	250	130	200	450	3160	2920	o.r.		
1RQ7 458-6MA90-OAC0	6050	850	1140	1760	1400	500	130	200	450	3160	3170	o.r.		
1RQ7 502-6MA90-OCA0	7150	950	1220	1920	1320	315	160	240	500	3370	3060	o.r.		
1RQ7 502-6MA90-OCC0	7200	950	1220	1920	1320	560	170	240	500	3370	3300	o.r.		
1RQ7 502-6MA90-OAA0	6950	950	1220	1920	1320	315	160	240	500	3370	3060	o.r.		
1RQ7 502-6MA90-OAC0	7000	950	1220	1920	1320	560	170	240	500	3370	3300	o.r.		
1RQ7 503-6MA90-OCA0	7400	950	1220	1920	1320	315	160	240	500	3370	3060	o.r.		



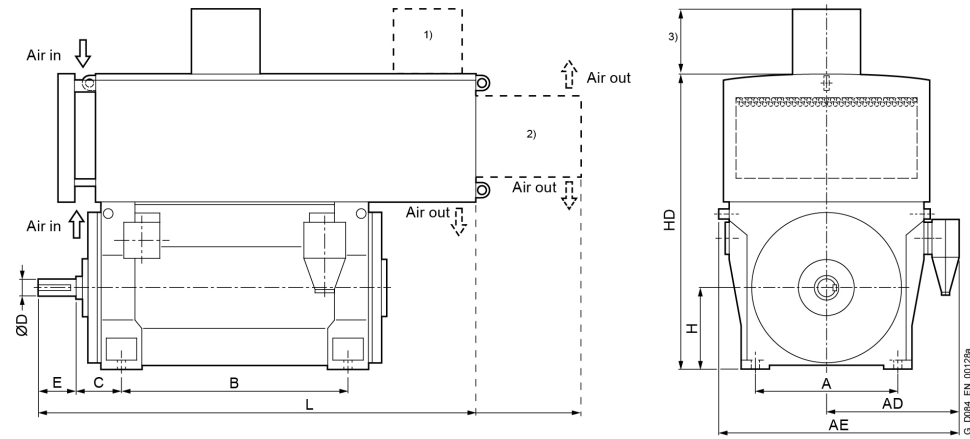
Motor type	Weight	Dimensions										
		A	AD	AE	B	C	D	E	H	HD	L	ML
	kg	mm	mm	mm	mm	mm	mm	mm	mm	mm	mm	mm
Innomotics HV M - 1RQ. IC666 11000 V / 50 Hz B3 (IM 1001) - Dimension drawings												
1RQ7 503-6MA90-0CC0	7450	950	1220	1920	1320	560	170	240	500	3370	3300	o.r.
1RQ7 503-6MA90-0AA0	7200	950	1220	1920	1320	315	160	240	500	3370	3060	o.r.
1RQ7 503-6MA90-0AC0	7250	950	1220	1920	1320	560	170	240	500	3370	3300	o.r.
1RQ7 504-6MA90-0AA0	7400	950	1220	1920	1320	315	160	240	500	3370	3060	o.r.
1RQ7 504-6MA90-0AC0	7450	950	1220	1920	1320	560	170	240	500	3370	3300	o.r.
1RQ7 504-6MA90-0CA0	7650	950	1220	1920	1320	315	160	240	500	3370	3060	o.r.
1RQ7 504-6MA90-0CC0	7750	950	1220	1920	1320	560	170	240	500	3370	3300	o.r.
1RQ7 507-6MA90-0CA0	8400	950	1220	1920	1500	315	160	240	500	3370	3270	o.r.
1RQ7 507-6MA90-0CC0	8450	950	1220	1920	1500	560	170	240	500	3370	3510	o.r.
1RQ7 507-6MA90-0AA0	8150	950	1220	1920	1500	315	160	240	500	3370	3270	o.r.
1RQ7 507-6MA90-0AC0	8200	950	1220	1920	1500	560	170	240	500	3370	3510	o.r.
1RQ7 508-6MA90-0AA0	8450	950	1220	1920	1500	315	160	240	500	3370	3270	o.r.
1RQ7 508-6MA90-0AC0	8500	950	1220	1920	1500	560	170	240	500	3370	3510	o.r.
1RQ7 508-6MA90-0CA0	8750	950	1220	1920	1500	315	160	240	500	3370	3270	o.r.
1RQ7 508-6MA90-0CC0	8800	950	1220	1920	1500	560	170	240	500	3370	3510	o.r.
1RQ7 561-6MA90-0CA0	8900	1060	1290	2060	1400	335	190	280	560	3650	3250	o.r.
1RQ7 561-6MA90-0CC0	9000	1060	1290	2060	1400	600	190	280	560	3650	3520	o.r.
1RQ7 562-6MA90-0CA0	9300	1060	1290	2060	1400	335	190	280	560	3650	3250	o.r.
1RQ7 562-6MA90-0CC0	9350	1060	1290	2060	1400	600	190	280	560	3650	3520	o.r.
1RQ7 564-6MA90-0CA0	9950	1060	1290	2060	1400	335	190	280	560	3650	3250	o.r.
1RQ7 564-6MA90-0CC0	10000	1060	1290	2060	1400	600	190	280	560	3650	3520	o.r.
1RQ7 567-6MA90-0CA0	10750	1060	1290	2060	1600	335	190	280	560	3650	3480	o.r.
1RQ7 567-6MA90-0CC0	10800	1060	1290	2060	1600	600	190	280	560	3650	3750	o.r.



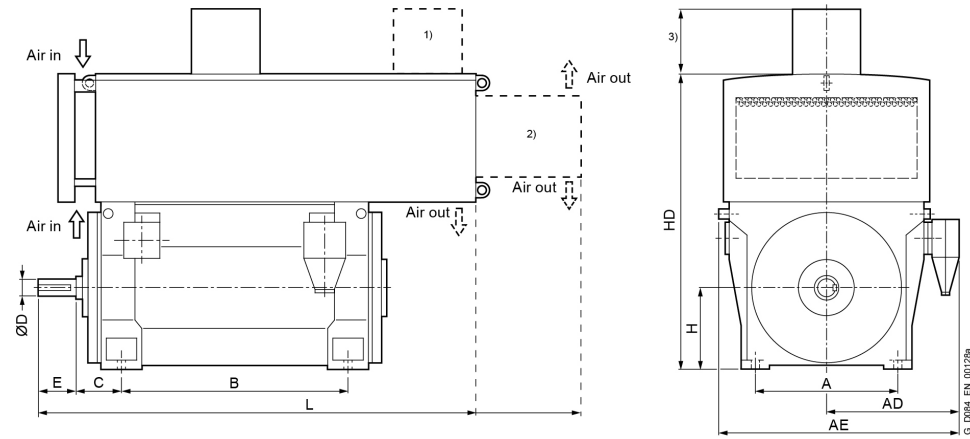
Motor type	Weight	Dimensions										
		A	AD	AE	B	C	D	E	H	HD	L	ML
	kg	mm	mm	mm	mm	mm	mm	mm	mm	mm	mm	mm
Innomotics HV M - 1RQ. IC666 11000 V / 50 Hz B3 (IM 1001) - Dimension drawings												
1RQ7 568-6MA90-OCA0	11350	1060	1290	2060	1600	335	190	280	560	3650	3480	o.r.
1RQ7 568-6MA90-OCC0	11400	1060	1290	2060	1600	600	190	280	560	3650	3750	o.r.
1RQ8 632-6MA90-OCG0	11750	1320	1520	2520	1600	375	200	280	630	3210	3920	o.r.
1RQ8 632-6MA90-OCJ0	11850	1320	1520	2520	1600	630	200	280	630	3210	4170	o.r.
1RQ8 633-6MA90-OCG0	12150	1320	1520	2520	1600	375	200	280	630	3210	3920	o.r.
1RQ8 633-6MA90-OCJ0	12250	1320	1520	2520	1600	630	200	280	630	3210	4170	o.r.
1RQ8 634-6MA90-OCG0	12700	1320	1520	2520	1600	375	200	280	630	3210	3920	o.r.
1RQ8 634-6MA90-OCJ0	12800	1320	1520	2520	1600	630	200	280	630	3210	4170	o.r.
1RQ8 637-6MA90-OCG0	13500	1320	1520	2520	1800	375	200	280	630	3210	4120	o.r.
1RQ8 637-6MA90-OCJ0	13600	1320	1520	2520	1800	630	200	280	630	3210	4370	o.r.
1RQ8 638-6MA90-OCG0	14000	1320	1520	2520	1800	375	200	280	630	3210	4120	o.r.
1RQ8 638-6MA90-OCJ0	14150	1320	1520	2520	1800	630	200	280	630	3210	4370	o.r.
1RQ8 712-6MA90-OCG0	15500	1500	1620	2720	2000	375	220	280	710	4240	3920	o.r.
1RQ8 712-6MA90-OCJ0	15650	1500	1620	2720	2000	630	220	280	710	4240	4180	o.r.
1RQ8 713-6MA90-OCG0	16450	1500	1620	2720	2000	375	220	280	710	4240	3920	o.r.
1RQ8 713-6MA90-OCJ0	16550	1500	1620	2720	2000	630	220	280	710	4240	4180	o.r.
1RQ8 714-6MA90-OCG0	17400	1500	1620	2720	2000	375	220	280	710	4240	3920	o.r.
1RQ8 714-6MA90-OCJ0	17550	1500	1620	2720	2000	630	220	280	710	4240	4180	o.r.
1RQ8 717-6MA90-OCG0	19000	1500	1620	2720	2240	375	220	280	710	4240	4160	o.r.
1RQ8 717-6MA90-OCJ0	19150	1500	1620	2720	2240	630	220	280	710	4240	4420	o.r.
1RQ8 718-6MA90-OCG0	20050	1500	1620	2720	2240	375	220	280	710	4240	4160	o.r.
1RQ8 718-6MA90-OCJ0	20200	1500	1620	2720	2240	630	220	280	710	4240	4420	o.r.
8-pole												



Motor type	Weight kg	Dimensions										
		A mm	AD mm	AE mm	B mm	C mm	D mm	E mm	H mm	HD mm	L mm	ML mm
Innomotics HV M - 1RQ. IC666 11000 V / 50 Hz B3 (IM 1001) - Dimension drawings												
1RQ7 451-8MA90-0AA0	4900	850	1140	1760	1180	250	130	200	450	3160	2710	o.r.
1RQ7 451-8MA90-0AC0	4950	850	1140	1760	1180	500	130	200	450	3160	2960	o.r.
1RQ7 451-8MA90-0CA0	5050	850	1140	1760	1180	250	130	200	450	3160	2710	o.r.
1RQ7 451-8MA90-0CC0	5100	850	1140	1760	1180	500	130	200	450	3160	2960	o.r.
1RQ7 452-8MA90-0AA0	5050	850	1140	1760	1180	250	130	200	450	3160	2710	o.r.
1RQ7 452-8MA90-0AC0	5100	850	1140	1760	1180	500	130	200	450	3160	2960	o.r.
1RQ7 452-8MA90-0CA0	5200	850	1140	1760	1180	250	130	200	450	3160	2710	o.r.
1RQ7 452-8MA90-0CC0	5250	850	1140	1760	1180	500	130	200	450	3160	2960	o.r.
1RQ7 453-8MA90-0AA0	5250	850	1140	1760	1180	250	130	200	450	3160	2710	o.r.
1RQ7 453-8MA90-0AC0	5300	850	1140	1760	1180	500	130	200	450	3160	2960	o.r.
1RQ7 453-8MA90-0CA0	5450	850	1140	1760	1180	250	130	200	450	3160	2710	o.r.
1RQ7 453-8MA90-0CC0	5450	850	1140	1760	1180	500	130	200	450	3160	2960	o.r.
1RQ7 454-8MA90-0AA0	5500	850	1140	1760	1180	250	130	200	450	3160	2710	o.r.
1RQ7 454-8MA90-0AC0	5550	850	1140	1760	1180	500	130	200	450	3160	2960	o.r.
1RQ7 454-8MA90-0CA0	5650	850	1140	1760	1180	250	130	200	450	3160	2710	o.r.
1RQ7 454-8MA90-0CC0	5700	850	1140	1760	1180	500	130	200	450	3160	2960	o.r.
1RQ7 457-8MA90-0AA0	6000	850	1140	1760	1400	250	130	200	450	3160	2920	o.r.
1RQ7 457-8MA90-0AC0	6000	850	1140	1760	1400	500	130	200	450	3160	3170	o.r.
1RQ7 457-8MA90-0CA0	6150	850	1140	1760	1400	250	130	200	450	3160	2920	o.r.
1RQ7 457-8MA90-0CC0	6200	850	1140	1760	1400	500	130	200	450	3160	3170	o.r.
1RQ7 458-8MA90-0AA0	6250	850	1140	1760	1400	250	130	200	450	3160	2920	o.r.
1RQ7 458-8MA90-0AC0	6300	850	1140	1760	1400	500	130	200	450	3160	3170	o.r.
1RQ7 458-8MA90-0CA0	6450	850	1140	1760	1400	250	130	200	450	3160	2920	o.r.

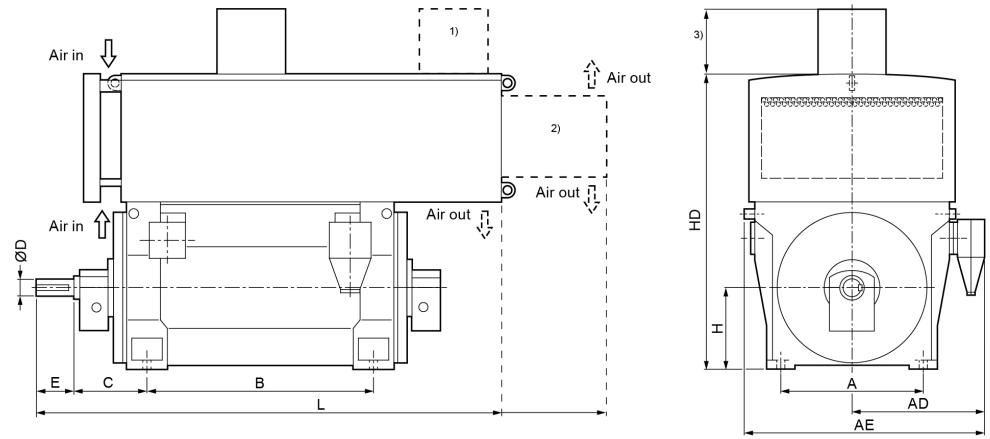


Motor type	Weight	Dimensions											
		A	AD	AE	B	C	D	E	H	HD	L	ML	
	kg	mm	mm	mm	mm	mm	mm	mm	mm	mm	mm	mm	mm
Innomotics HV M - 1RQ. IC666 11000 V / 50 Hz B3 (IM 1001) - Dimension drawings													
1RQ7 458-8MA90-0CC0	6450	850	1140	1760	1400	500	130	200	450	3160	3170	o.r.	
1RQ7 501-8MA90-0AA0	6200	950	1220	1920	1320	315	160	240	500	3370	3060	o.r.	
1RQ7 501-8MA90-0AC0	6200	950	1220	1920	1320	560	170	240	500	3370	3300	o.r.	
1RQ7 501-8MA90-0CA0	6350	950	1220	1920	1320	315	160	240	500	3370	3060	o.r.	
1RQ7 501-8MA90-0CC0	6400	950	1220	1920	1320	560	170	240	500	3370	3300	o.r.	
1RQ7 502-8MA90-0AA0	6950	950	1220	1920	1320	315	160	240	500	3370	3060	o.r.	
1RQ7 502-8MA90-0AC0	7000	950	1220	1920	1320	560	170	240	500	3370	3300	o.r.	
1RQ7 502-8MA90-0CA0	7150	950	1220	1920	1320	315	160	240	500	3370	3060	o.r.	
1RQ7 502-8MA90-0CC0	7200	950	1220	1920	1320	560	170	240	500	3370	3300	o.r.	
1RQ7 503-8MA90-0AA0	7200	950	1220	1920	1320	315	160	240	500	3370	3060	o.r.	
1RQ7 503-8MA90-0AC0	7250	950	1220	1920	1320	560	170	240	500	3370	3300	o.r.	
1RQ7 507-8MA90-0AA0	8150	950	1220	1920	1500	315	160	240	500	3370	3270	o.r.	
1RQ7 507-8MA90-0AC0	8200	950	1220	1920	1500	560	170	240	500	3370	3510	o.r.	
1RQ7 507-8MA90-0CA0	8400	950	1220	1920	1500	315	160	240	500	3370	3270	o.r.	
1RQ7 507-8MA90-0CC0	8450	950	1220	1920	1500	560	170	240	500	3370	3510	o.r.	
1RQ7 508-8MA90-0AA0	8450	950	1220	1920	1500	315	160	240	500	3370	3270	o.r.	
1RQ7 508-8MA90-0AC0	8500	950	1220	1920	1500	560	170	240	500	3370	3510	o.r.	
1RQ7 508-8MA90-0CA0	8750	950	1220	1920	1500	315	160	240	500	3370	3270	o.r.	
1RQ7 508-8MA90-0CC0	8800	950	1220	1920	1500	560	170	240	500	3370	3510	o.r.	
1RQ7 563-8MA90-0CA0	9450	1060	1290	2060	1400	335	190	280	560	3650	3250	o.r.	
1RQ7 563-8MA90-0CC0	9500	1060	1290	2060	1400	600	190	280	560	3650	3520	o.r.	
1RQ7 564-8MA90-0CA0	9900	1060	1290	2060	1400	335	190	280	560	3650	3250	o.r.	
1RQ7 564-8MA90-0CC0	9950	1060	1290	2060	1400	600	190	280	560	3650	3520	o.r.	



Motor type	Weight	Dimensions										
		A	AD	AE	B	C	D	E	H	HD	L	ML
	kg	mm	mm	mm	mm	mm	mm	mm	mm	mm	mm	mm
Innomotics HV M - 1RQ. IC666 11000 V / 50 Hz B3 (IM 1001) - Dimension drawings												
1RQ7 567-8MA90-OCA0	10750	1060	1290	2060	1600	335	190	280	560	3650	3480	o.r.
1RQ7 567-8MA90-OCC0	10850	1060	1290	2060	1600	600	190	280	560	3650	3750	o.r.
1RQ7 568-8MA90-OCA0	11250	1060	1290	2060	1600	335	190	280	560	3650	3480	o.r.
1RQ7 568-8MA90-OCC0	11350	1060	1290	2060	1600	600	190	280	560	3650	3750	o.r.
1RQ8 634-8MA90-OCG0	11750	1320	1520	2520	1600	375	200	280	630	3210	3920	o.r.
1RQ8 634-8MA90-OCJ0	11850	1320	1520	2520	1600	630	200	280	630	3210	4170	o.r.
1RQ8 637-8MA90-OCG0	13000	1320	1520	2520	1800	375	200	280	630	3210	4120	o.r.
1RQ8 637-8MA90-OCJ0	13100	1320	1520	2520	1800	630	200	280	630	3210	4370	o.r.
1RQ8 638-8MA90-OCG0	13700	1320	1520	2520	1800	375	200	280	630	3210	4120	o.r.
1RQ8 638-8MA90-OCJ0	13800	1320	1520	2520	1800	630	200	280	630	3210	4370	o.r.
1RQ8 712-8MA90-OCG0	14900	1500	1620	2720	2000	375	220	280	710	4150	3920	o.r.
1RQ8 712-8MA90-OCJ0	15100	1500	1620	2720	2000	630	220	280	710	4150	4180	o.r.
1RQ8 713-8MA90-OCG0	15700	1500	1620	2720	2000	375	220	280	710	4150	3920	o.r.
1RQ8 713-8MA90-OCJ0	15900	1500	1620	2720	2000	630	220	280	710	4150	4180	o.r.
1RQ8 714-8MA90-OCG0	16750	1500	1620	2720	2000	375	220	280	710	4150	3920	o.r.
1RQ8 714-8MA90-OCJ0	16950	1500	1620	2720	2000	630	220	280	710	4150	4180	o.r.
1RQ8 717-8MA90-OCG0	18450	1500	1620	2720	2240	375	220	280	710	4150	4160	o.r.
1RQ8 717-8MA90-OCJ0	18650	1500	1620	2720	2240	630	220	280	710	4150	4420	o.r.
1RQ8 718-8MA90-OCG0	19500	1500	1620	2720	2240	375	220	280	710	4150	4160	o.r.
1RQ8 718-8MA90-OCJ0	19700	1500	1620	2720	2240	630	220	280	710	4150	4420	o.r.

Innomotics HV M - 1RQ. IC666 13800 V / 60 Hz B3 (IM 1001)																		
Rated power IEC	Article No.	Speed	Rated current I_R	Efficiency				Power factor				Torque T_R	Breakdown torque T_B/ T_R	Locked rotor torque T_{LR}/ T_R	Locked rotor current I_{LR}/ I_R	Inertia		
				5/4 load	4/4 load	3/4 load	2/4 load	5/4 load	4/4 load	3/4 load	2/4 load					motor	external	Startup max T/TR
kW		rpm	A	%	%	%	%	$\cos \varphi$	$\cos \varphi$	$\cos \varphi$	$\cos \varphi$	Nm	[-]	[-]	[-]	kgm ²	kgm ²	[-]
2-pole: $n_{sync} = 3600$ rpm at 60 Hz																		
4800	1RQ8 633-2MA20-0CJ0	3587	235	95.7	95.8	94.9	93.1	0.89	0.90	0.90	0.87	12779	2.50	0.65	6.0	82	220	o.r.
5900	1RQ8 637-2MA20-0CJ0	3588	280	96.2	96.2	95.5	93.9	0.90	0.91	0.91	0.88	15703	2.60	0.60	6.0	98	240	o.r.
7400	1RQ8 714-2MA20-0CJ0	3589	355	96.1	95.9	95.2	93.5	0.90	0.91	0.91	0.89	19689	2.40	0.60	6.0	172	170	o.r.
8500	1RQ8 717-2MA20-0CJ0	3589	405	96.3	96.2	95.5	93.9	0.90	0.91	0.91	0.90	22616	2.50	0.55	6.0	200	180	o.r.
4-pole: $n_{sync} = 1800$ rpm at 60 Hz																		
4950	1RQ8 633-4MA20-0C.0	1792	240	96.2	96.3	96.0	94.9	0.89	0.90	0.88	0.84	26378	2.55	0.55	6.0	150	600	o.r.
5700	1RQ8 637-4MA20-0C.0	1792	270	96.4	96.6	96.4	95.4	0.89	0.91	0.90	0.88	30374	2.50	0.60	6.0	182	730	o.r.
7250	1RQ8 713-4MA20-0C.0	1793	345	96.6	96.8	96.6	95.7	0.89	0.91	0.90	0.87	38613	2.60	0.45	6.0	282	680	o.r.
8800	1RQ8 717-4MA20-0C.0	1793	415	96.9	97.0	96.9	96.2	0.90	0.91	0.91	0.88	46868	2.60	0.45	6.0	344	970	o.r.
6-pole: $n_{sync} = 1200$ rpm at 60 Hz																		
4000	1RQ8 633-6MA20-0C.0	1193	198	95.9	96.2	96.1	95.3	0.86	0.88	0.85	0.79	32018	2.40	0.55	5.5	209	1060	o.r.
4850	1RQ8 637-6MA20-0C.0	1193	240	96.3	96.5	96.4	95.6	0.86	0.88	0.85	0.79	38822	2.40	0.55	5.5	246	1560	o.r.
6800	1RQ8 714-6MA20-0C.0	1195	335	96.8	97.0	97.0	96.4	0.87	0.88	0.86	0.81	54339	2.40	0.50	5.5	421	1830	o.r.
7500	1RQ8 717-6MA20-0C.0	1195	365	96.9	97.2	97.1	96.5	0.87	0.88	0.87	0.82	59933	2.40	0.50	5.5	475	2090	o.r.



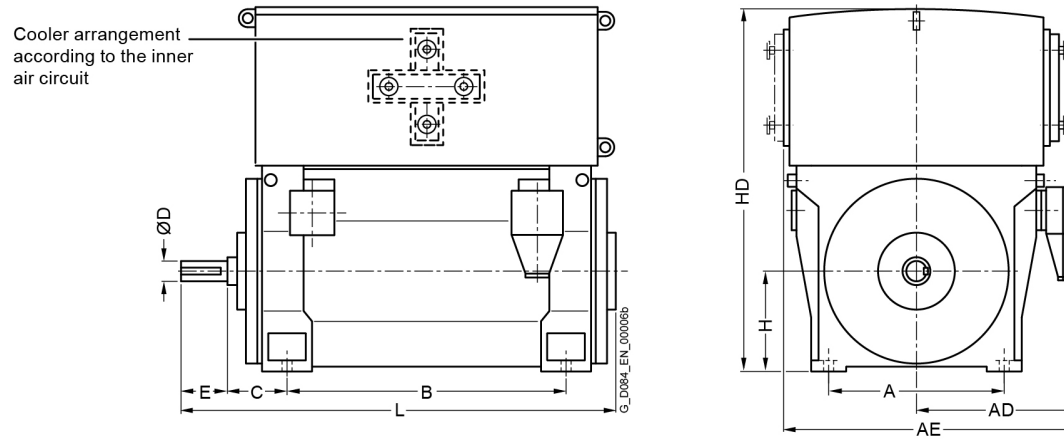
Motor type	Weight	Dimensions												
		A	AD	AE	B	C	D	E	H	HD	L	ML		
	kg	mm	mm	mm	mm	mm	mm	mm	mm	mm	mm	mm	mm	
Innomotics HV M - 1RQ. IC666 13800 V / 60 Hz B3 (IM 1001) - Dimension drawings														
2-pole														
1RQ8 633-2MA20-0CJ0	11050	1320	1647	2647	1600	560	160	240	630	4400	4060	o.r.		
1RQ8 637-2MA20-0CJ0	12450	1320	1647	2647	1800	560	160	240	630	4400	4260	o.r.		
1RQ8 714-2MA20-0CJ0	15600	1500	1747	2847	2000	560	180	240	710	4290	4070	o.r.		
1RQ8 717-2MA20-0CJ0	17500	1500	1747	2847	2240	560	180	240	710	4290	4310	o.r.		
4-pole														
1RQ8 633-4MA20-0CG0	11750	1320	1647	2647	1600	375	200	280	630	4400	3920	o.r.		
1RQ8 633-4MA20-0CJ0	11850	1320	1647	2647	1600	630	200	280	630	4400	4170	o.r.		
1RQ8 637-4MA20-0CG0	13150	1320	1647	2647	1800	375	200	280	630	4400	4120	o.r.		
1RQ8 637-4MA20-0CJ0	13250	1320	1647	2647	1800	630	200	280	630	4400	4370	o.r.		
1RQ8 713-4MA20-0CG0	16000	1500	1747	2847	2000	375	220	280	710	4290	3920	o.r.		
1RQ8 713-4MA20-0CJ0	16150	1500	1747	2847	2000	630	220	280	710	4290	4180	o.r.		
1RQ8 717-4MA20-0CG0	18200	1500	1747	2847	2240	375	220	280	710	4290	4160	o.r.		
1RQ8 717-4MA20-0CJ0	18350	1500	1747	2847	2240	630	220	280	710	4290	4420	o.r.		
6-pole														
1RQ8 633-6MA20-0CG0	12000	1320	1647	2647	1600	375	200	280	630	4320	3920	o.r.		
1RQ8 633-6MA20-0CJ0	12150	1320	1647	2647	1600	630	200	280	630	4320	4170	o.r.		
1RQ8 637-6MA20-0CG0	13400	1320	1647	2647	1800	375	200	280	630	4320	4120	o.r.		
1RQ8 637-6MA20-0CJ0	13500	1320	1647	2647	1800	630	200	280	630	4320	4370	o.r.		
1RQ8 714-6MA20-0CG0	17300	1500	1747	2847	2000	375	220	280	710	4290	3920	o.r.		
1RQ8 714-6MA20-0CJ0	17450	1500	1747	2847	2000	630	220	280	710	4290	4180	o.r.		
1RQ8 717-6MA20-0CG0	18900	1500	1747	2847	2240	375	220	280	710	4290	4160	o.r.		
1RQ8 717-6MA20-0CJ0	19050	1500	1747	2847	2240	630	220	280	710	4290	4420	o.r.		

Innomotics HV M - 1RN. IC81W 6000 V / 50 Hz B3 (IM 1001)																					
Rated power IEC	Article No.	Speed	Rated current				Efficiency				Power factor				Torque	Breakdown torque	Locked rotor torque	Locked rotor current	Inertia		
			I_R	5/4 load	4/4 load	3/4 load	2/4 load	5/4 load	4/4 load	3/4 load	2/4 load	5/4 load	4/4 load	3/4 load					2/4 load	T_R	T_B/ T_R
kW		rpm	A	%	%	%	%	cos φ	cos φ	cos φ	cos φ	Nm	[-]	[-]	[-]	[-]	kgm ²	kgm ²	[-]		
2-pole: n_{sync} = 3000 rpm at 50 Hz																					
1750	1RN7 453-2NA60-0A.0	2971	200	95.2	96.1	96.5	96.5	0.85	0.88	0.88	0.86	5627	1.90	0.45	4.6	10	45	o.r.			
1790	1RN7 453-2NA60-0C.0	2971	200	95.2	96.1	96.6	96.5	0.85	0.89	0.89	0.87	5755	1.90	0.50	4.2	14	115	o.r.			
1910	1RN7 454-2NA60-0A.2	2974	215	95.5	96.3	96.6	96.4	0.86	0.88	0.88	0.85	6135	2.05	0.45	4.8	11	50	o.r.			
1960	1RN7 454-2NA60-0C.0	2974	220	95.5	96.2	96.6	96.5	0.86	0.89	0.89	0.87	6296	2.00	0.50	4.5	15	120	o.r.			
2000	1RN7 457-2NA60-0A.2	2975	220	95.7	96.5	96.7	96.5	0.88	0.90	0.90	0.86	6426	2.25	0.55	5.2	12	60	o.r.			
2040	1RN7 457-2NA60-0C.0	2975	225	95.7	96.4	96.7	96.6	0.89	0.90	0.90	0.88	6553	2.15	0.55	4.8	16	140	o.r.			
2240	1RN7 458-2NA60-0A.2	2975	250	95.9	96.6	96.9	96.7	0.88	0.90	0.90	0.87	7192	2.25	0.55	5.2	13	65	o.r.			
2310	1RN7 458-2NA60-0C.0	2975	255	95.9	96.5	96.9	96.8	0.88	0.90	0.90	0.88	7422	2.15	0.55	4.8	18	140	o.r.			
2600	1RN7 503-2NA60-0A.0	2962	295	95.5	96.3	96.8	97.0	0.87	0.88	0.89	0.86	8384	2.05	0.50	3.9	15	32	o.r.			
2600	1RN7 503-2NA60-0C.0	2970	295	95.8	96.5	97.0	97.1	0.87	0.88	0.89	0.87	8361	2.00	0.55	3.8	20	116	o.r.			
2670	1RN7 504-2NA60-0A.0	2964	300	95.6	96.3	96.8	97.0	0.88	0.89	0.89	0.87	8610	2.15	0.50	4.2	15	40	o.r.			
2780	1RN7 504-2NA60-0C.0	2970	310	95.8	96.5	97.0	97.1	0.87	0.89	0.90	0.87	8942	2.05	0.55	3.9	21	108	o.r.			
3100	1RN7 507-2NA60-0A.0	2966	345	96.0	96.6	97.1	97.2	0.88	0.90	0.90	0.86	9986	2.25	0.60	4.5	18	46	o.r.			
3260	1RN7 507-2NA60-0C.2	2971	365	96.2	96.8	97.2	97.3	0.88	0.89	0.90	0.88	10480	2.10	0.65	4.1	24	108	o.r.			
3350	1RN7 508-2NA60-0A.2	2972	365	96.3	96.9	97.2	97.2	0.90	0.91	0.90	0.85	10767	2.60	0.70	5.4	20	74	o.r.			
3550	1RN7 508-2NA60-0C.2	2976	385	96.5	97.0	97.3	97.3	0.90	0.91	0.91	0.88	11399	2.40	0.70	4.9	27	134	o.r.			
4050	1RN7 562-2NA60-0CC2	2978	445	96.3	96.8	96.9	96.7	0.88	0.90	0.90	0.87	12988	2.05	0.55	4.6	41	245	o.r.			
4500	1RN7 563-2NA60-0CC2	2978	500	96.5	96.8	97.1	96.9	0.88	0.89	0.90	0.87	14432	2.00	0.50	4.5	44	230	o.r.			
5000	1RN7 564-2NA60-0CC2	2979	550	96.6	96.9	97.1	96.9	0.90	0.91	0.90	0.88	16029	2.15	0.50	4.8	47	250	o.r.			
5600	1RN7 567-2NA60-0CC2	2980	610	96.8	97.0	97.3	97.1	0.90	0.91	0.91	0.88	17951	2.10	0.55	4.8	52	255	o.r.			
6400	1RN7 568-2NA60-0CC2	2982	700	97.1	97.3	97.4	97.1	0.90	0.91	0.91	0.88	20512	2.25	0.50	5.1	58	270	o.r.			
7200	1RN8 633-2NA60-0CJ0	2978	800	96.5	97.1	97.1	96.8	0.85	0.89	0.89	0.89	23088	1.90	0.50	4.3	82	200	o.r.			
7900	1RN8 634-2NA60-0CJ0	2980	880	96.7	97.2	97.2	96.9	0.86	0.89	0.90	0.89	25315	2.00	0.50	4.6	90	210	o.r.			
8750	1RN8 637-2NA60-0CJ0	2981	960	97.0	97.4	97.4	97.1	0.88	0.90	0.91	0.90	28030	2.10	0.55	5.0	99	220	o.r.			
9700	1RN8 638-2NA60-0CJ0	2981	1060	97.0	97.5	97.5	97.2	0.88	0.90	0.91	0.90	31073	2.15	0.60	5.0	108	210	o.r.			
10150	1RN8 712-2NA60-0CJ0	2982	1140	96.6	97.1	97.1	96.7	0.83	0.88	0.89	0.89	32503	1.70	0.45	4.0	149	150	o.r.			
11150	1RN8 713-2NA60-0CJ0	2981	1280	96.6	97.1	97.2	96.9	0.82	0.87	0.88	0.89	35718	1.65	0.45	3.8	160	130	o.r.			
11600	1RN8 714-2NA60-0CJ0	2983	1300	96.8	97.2	97.3	96.9	0.85	0.89	0.90	0.90	37134	1.80	0.40	4.2	173	160	o.r.			
13000	1RN8 716-2NA60-0CJ0	2984	1420	97.1	97.4	97.4	97.0	0.87	0.90	0.91	0.90	41602	1.90	0.50	4.5	186	140	o.r.			
14650	1RN8 717-2NA60-0CJ0	2984	1600	97.3	97.6	97.5	97.2	0.87	0.90	0.91	0.90	46882	1.90	0.50	4.5	201	120	o.r.			
15000	1RN8 718-2NA60-0CJ0	2983	1620	97.2	97.6	97.7	97.4	0.87	0.91	0.92	0.92	48019	1.90	0.50	4.4	220	120	o.r.			
4-pole: n_{sync} = 1500 rpm at 50 Hz																					
1620	1RN7 453-4NA60-0C.2	1483	184	95.2	96.1	96.5	96.6	0.86	0.88	0.87	0.82	10433	2.00	0.50	5.0	23	465	o.r.			
1550	1RN7 453-4NA60-0A.0	1479	176	94.8	95.8	96.3	96.5	0.87	0.88	0.87	0.83	10014	2.15	0.65	5.0	17	225	o.r.			
1680	1RN7 454-4NA60-0A.0	1481	196	95.2	96.0	96.3	96.4	0.85	0.86	0.82	0.73	10836	2.30	0.65	5.2	19	275	o.r.			
1800	1RN7 454-4NA60-0C.2	1483	205	95.2	96.2	96.5	96.6	0.85	0.87	0.84	0.78	11603	2.05	0.50	5.0	25	475	o.r.			

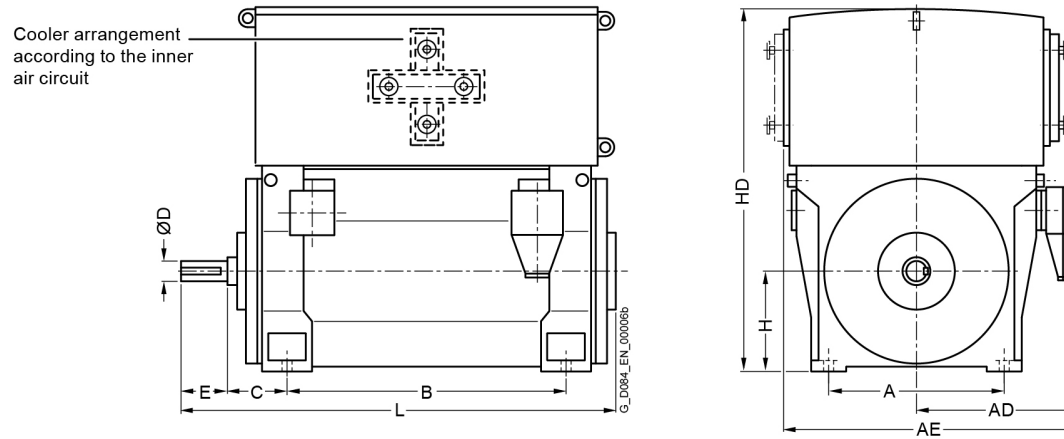
Innomotics HV M - 1RN. IC81W 6000 V / 50 Hz B3 (IM 1001)																		
Rated power IEC	Article No.	Speed	Rated current I_R	Efficiency				Power factor				Torque T_R	Breakdown torque T_B/ T_R	Locked rotor torque T_{LR}/ T_R	Locked rotor current I_{LR}/ I_R	Inertia		
				5/4 load	4/4 load	3/4 load	2/4 load	5/4 load	4/4 load	3/4 load	2/4 load					motor	external	Startup max T/TR
kW		rpm	A	%	%	%	%	cos φ	cos φ	cos φ	cos φ	Nm	[-]	[-]	[-]	kgm ²	kgm ²	[-]
1930	1RN7 457-4NA60-0A.2	1482	215	95.4	96.2	96.6	96.7	0.88	0.89	0.88	0.84	12442	2.40	0.75	5.6	22	350	o.r.
2020	1RN7 457-4NA60-0C.2	1485	225	95.7	96.4	96.8	96.9	0.88	0.89	0.88	0.85	12996	2.25	0.55	5.0	30	635	o.r.
2080	1RN7 458-4NA60-0A.0	1483	235	95.7	96.3	96.7	96.8	0.89	0.89	0.88	0.83	13401	2.60	0.80	5.8	24	395	o.r.
2240	1RN7 458-4NA60-0C.2	1485	250	95.8	96.5	96.9	97.0	0.88	0.89	0.89	0.85	14412	2.25	0.55	5.0	33	660	o.r.
2500	1RN7 503-4NA60-0A.2	1485	285	95.9	96.6	97.0	97.1	0.87	0.88	0.87	0.83	16098	2.15	0.75	4.9	37	545	o.r.
2550	1RN7 503-4NA60-0C.2	1486	290	96.0	96.6	97.1	97.1	0.87	0.88	0.88	0.84	16405	2.10	0.55	4.4	45	600	o.r.
2770	1RN7 504-4NA60-0A.2	1486	310	96.1	96.7	97.1	97.1	0.88	0.89	0.87	0.83	17830	2.25	0.80	5.0	40	585	o.r.
2800	1RN7 504-4NA60-0C.2	1487	315	96.1	96.7	97.2	97.1	0.88	0.89	0.88	0.84	18003	2.15	0.55	4.5	50	665	o.r.
3100	1RN7 507-4NA60-0A.2	1485	350	96.2	96.8	97.2	97.3	0.87	0.88	0.88	0.85	19963	2.20	0.75	4.9	46	655	o.r.
3150	1RN7 507-4NA60-0C.2	1487	350	96.3	96.9	97.3	97.3	0.88	0.89	0.89	0.86	20255	2.15	0.55	4.5	56	700	o.r.
3480	1RN7 508-4NA60-0C.2	1489	390	96.5	97.0	97.3	97.3	0.87	0.88	0.88	0.83	22352	2.20	0.55	4.6	62	805	o.r.
3260	1RN7 508-4NA60-0A.2	1485	365	96.2	96.8	97.3	97.3	0.88	0.89	0.89	0.86	20989	2.35	0.85	5.2	50	705	o.r.
3550	1RN7 562-4NA60-0C.2	1489	401	96.4	96.9	97.3	97.3	0.86	0.88	0.87	0.84	22792	2.05	0.60	4.8	74	615	o.r.
4000	1RN7 563-4NA60-0C.2	1488	451	96.4	96.9	97.4	97.4	0.86	0.88	0.87	0.85	25692	2.00	0.60	4.7	80	580	o.r.
4600	1RN7 564-4NA60-0C.2	1489	519	96.6	97.0	97.5	97.4	0.87	0.88	0.88	0.85	29535	2.05	0.60	4.8	90	685	o.r.
5100	1RN7 566-4NA60-0C.2	1489	567	96.8	97.2	97.6	97.5	0.88	0.89	0.88	0.85	32724	2.15	0.65	5.1	100	735	o.r.
5700	1RN7 567-4NA60-0C.2	1489	633	96.9	97.3	97.7	97.6	0.88	0.89	0.89	0.86	36573	2.15	0.65	5.2	110	760	o.r.
6300	1RN7 568-4NA60-0C.2	1490	699	97.0	97.4	97.7	97.7	0.88	0.89	0.89	0.85	40402	2.25	0.70	5.4	119	760	o.r.
6650	1RN8 633-4NA60-0C.0	1489	750	96.7	97.3	97.6	97.5	0.86	0.88	0.89	0.86	42648	2.00	0.50	4.7	151	540	o.r.
7150	1RN8 634-4NA60-0C.0	1489	790	96.7	97.3	97.6	97.6	0.86	0.89	0.89	0.87	45855	2.00	0.50	4.8	166	640	o.r.
8100	1RN8 637-4NA60-0C.0	1489	900	96.9	97.4	97.7	97.6	0.87	0.89	0.89	0.86	51947	2.10	0.50	5.0	182	650	o.r.
9300	1RN8 638-4NA60-0C.0	1490	1040	97.1	97.6	97.8	97.7	0.87	0.89	0.88	0.85	59603	2.10	0.50	5.0	198	670	o.r.
9600	1RN8 712-4NA60-0C.0	1490	1060	97.1	97.6	97.8	97.7	0.87	0.89	0.89	0.86	61526	2.15	0.45	4.9	259	650	o.r.
10450	1RN8 713-4NA60-0C.0	1490	1140	97.2	97.6	97.8	97.7	0.88	0.90	0.89	0.87	66973	2.20	0.50	5.2	284	720	o.r.
11500	1RN8 714-4NA60-0C.0	1490	1260	97.3	97.7	97.9	97.8	0.88	0.90	0.90	0.87	73703	2.25	0.50	5.3	312	800	o.r.
12750	1RN8 717-4NA60-0C.0	1491	1400	97.3	97.7	97.9	97.8	0.89	0.90	0.90	0.88	81659	2.30	0.55	5.5	346	850	o.r.
13600	1RN8 718-4NA60-0C.0	1492	1480	97.4	97.8	97.9	97.8	0.89	0.90	0.89	0.85	87045	2.50	0.55	5.8	365	930	o.r.
6-pole: $n_{sync} = 1000$ rpm at 50 Hz																		
1250	1RN7 453-6NA60-0A.0	987	148	94.4	95.4	96.0	96.3	0.84	0.85	0.83	0.77	12103	2.05	0.70	5.0	22	730	o.r.
1260	1RN7 453-6NA60-0C.0	986	148	94.3	95.4	96.0	96.3	0.84	0.86	0.84	0.79	12201	2.00	0.60	4.5	30	970	o.r.
1410	1RN7 454-6NA60-0A.0	988	166	94.7	95.6	96.1	96.3	0.84	0.85	0.82	0.75	13641	2.05	0.70	4.9	24	945	o.r.
1430	1RN7 454-6NA60-0C.0	987	170	94.6	95.6	96.2	96.4	0.84	0.85	0.84	0.78	13847	2.00	0.55	4.4	33	1215	o.r.
1520	1RN7 457-6NA60-0A.0	988	180	94.8	95.7	96.3	96.5	0.84	0.85	0.84	0.77	14706	2.10	0.75	5.1	28	1025	o.r.
1550	1RN7 457-6NA60-0C.0	987	182	94.7	95.7	96.2	96.5	0.84	0.86	0.85	0.80	14997	2.10	0.60	4.5	36	1275	o.r.
1650	1RN7 458-6NA60-0A.0	989	192	95.1	95.9	96.4	96.6	0.85	0.86	0.84	0.77	15950	2.25	0.80	5.3	31	1135	o.r.
1680	1RN7 458-6NA60-0C.0	988	194	95.0	95.9	96.4	96.6	0.85	0.87	0.85	0.79	16244	2.20	0.60	4.8	41	1410	o.r.
1800	1RN7 502-6NA60-0A.2	990	210	95.4	96.2	96.7	96.8	0.84	0.85	0.83	0.76	17387	2.15	0.85	4.5	42	1620	o.r.

Innomotics HV M - 1RN. IC81W 6000 V / 50 Hz B3 (IM 1001)																		
Rated power IEC	Article No.	Speed	Rated current I_R	Efficiency				Power factor				Torque T_R	Breakdown torque T_B/ T_R	Locked torque T_{LR}/ T_R	Locked rotor current I_{LR}/ I_R	Inertia		
				5/4 load	4/4 load	3/4 load	2/4 load	5/4 load	4/4 load	3/4 load	2/4 load					motor	external	Startup max T/TR
kW		rpm	A	%	%	%	%	cos φ	cos φ	cos φ	cos φ	Nm	[-]	[-]	[-]	kgm ²	kgm ²	[-]
1800	1RN7 502-6NA60-0C.2	991	210	95.6	96.3	96.8	96.9	0.84	0.85	0.84	0.78	17365	2.10	0.70	4.2	54	2060	o.r.
2000	1RN7 503-6NA60-0A.2	990	230	95.6	96.4	96.8	96.9	0.84	0.86	0.84	0.77	19320	2.15	0.90	4.6	46	1790	o.r.
2000	1RN7 503-6NA60-0C.2	991	235	95.8	96.5	96.9	97.0	0.84	0.86	0.85	0.79	19276	2.10	0.70	4.3	60	2300	o.r.
2280	1RN7 504-6NA60-0A.2	990	260	95.6	96.4	96.8	97.0	0.85	0.86	0.84	0.77	22029	2.15	0.90	4.6	51	1680	o.r.
2240	1RN7 504-6NA60-0C.2	991	260	95.9	96.6	97.0	97.1	0.85	0.86	0.85	0.79	21602	2.15	0.75	4.4	66	2100	o.r.
2540	1RN7 507-6NA60-0A.2	990	290	95.9	96.5	97.0	97.1	0.85	0.86	0.84	0.77	24531	2.20	0.90	4.8	58	2110	o.r.
2570	1RN7 507-6NA60-0C.2	991	290	96.0	96.7	97.1	97.2	0.85	0.86	0.85	0.80	24785	2.15	0.75	4.3	74	2440	o.r.
2680	1RN7 508-6NA60-0A.2	990	310	96.2	96.7	97.1	97.1	0.85	0.86	0.83	0.75	25858	2.35	0.95	5.1	63	2480	o.r.
2750	1RN7 508-6NA60-0C.2	991	320	96.2	96.9	97.2	97.2	0.85	0.86	0.85	0.78	26495	2.25	0.75	4.6	81	2780	o.r.
3000	1RN7 562-6NA60-0C.2	992	345	96.0	96.6	97.0	96.8	0.85	0.86	0.86	0.82	28909	1.80	0.60	5.2	105	2430	o.r.
3300	1RN7 563-6NA60-0C.2	992	380	96.1	96.8	97.0	97.0	0.85	0.86	0.85	0.82	31792	1.80	0.60	5.2	113	2500	o.r.
3700	1RN7 564-6NA60-0C.2	992	430	96.2	96.8	97.1	97.1	0.85	0.86	0.86	0.82	35646	1.80	0.60	5.2	124	2485	o.r.
4100	1RN7 567-6NA60-0C.2	992	475	96.3	96.9	97.1	97.2	0.85	0.86	0.86	0.82	39488	1.80	0.60	5.2	137	2600	o.r.
4550	1RN7 568-6NA60-0C.2	992	520	96.6	97.0	97.2	97.2	0.86	0.86	0.86	0.81	43806	2.00	0.60	5.5	151	2945	o.r.
5000	1RN8 632-6NA60-0C.0	991	580	96.3	96.9	97.2	97.1	0.84	0.86	0.83	0.77	48180	2.10	0.55	4.7	193	1880	o.r.
5200	1RN8 633-6NA60-0C.0	991	590	96.4	97.0	97.3	97.2	0.84	0.87	0.84	0.79	50107	2.10	0.55	4.7	209	2160	o.r.
6000	1RN8 634-6NA60-0C.0	991	690	96.5	97.1	97.4	97.3	0.84	0.86	0.84	0.79	57816	2.00	0.52	4.7	227	2080	o.r.
6400	1RN8 637-6NA60-0C.0	991	730	96.5	97.1	97.4	97.3	0.84	0.87	0.85	0.80	61671	2.00	0.52	4.7	247	2400	o.r.
6900	1RN8 638-6NA60-0C.0	991	790	96.6	97.2	97.5	97.4	0.85	0.87	0.85	0.80	66489	2.05	0.52	4.7	265	2580	o.r.
7350	1RN8 712-6NA60-0C.0	993	840	96.9	97.4	97.6	97.5	0.85	0.86	0.84	0.79	70682	2.15	0.55	5.0	331	2240	o.r.
8150	1RN8 713-6NA60-0C.0	993	920	97.0	97.5	97.7	97.7	0.85	0.87	0.86	0.82	78375	2.10	0.55	5.0	374	2520	o.r.
9400	1RN8 714-6NA60-0C.0	993	1060	97.1	97.5	97.8	97.7	0.85	0.87	0.85	0.80	90396	2.15	0.50	5.0	424	2810	o.r.
10550	1RN8 717-6NA60-0C.0	994	1200	97.3	97.7	97.9	97.7	0.86	0.87	0.85	0.80	101353	2.30	0.60	5.4	478	3250	o.r.
11300	1RN8 718-6NA60-0C.0	994	1280	97.4	97.7	97.9	97.7	0.86	0.87	0.85	0.77	108558	2.50	0.60	5.5	524	3760	o.r.
8-pole: $n_{sync} = 750$ rpm at 50 Hz																		
820	1RN7 452-8NA60-0A.0	739	102	93.8	95.0	95.4	95.4	0.79	0.81	0.77	0.68	10592	1.80	0.60	4.0	25	1540	o.r.
880	1RN7 452-8NA60-0C.0	738	108	93.6	94.9	95.4	95.5	0.80	0.82	0.79	0.71	11379	1.90	0.55	4.1	32	1900	o.r.
930	1RN7 453-8NA60-0A.0	739	116	94.0	95.1	95.6	95.6	0.79	0.81	0.77	0.68	12013	1.80	0.60	3.9	28	1960	o.r.
1000	1RN7 453-8NA60-0C.0	738	124	93.9	95.1	95.5	95.7	0.81	0.82	0.79	0.71	12926	1.90	0.55	4.0	36	2310	o.r.
1000	1RN7 454-8NA60-0A.2	739	124	94.1	95.4	95.7	95.8	0.80	0.81	0.78	0.70	12919	1.85	0.60	4.0	31	2450	o.r.
1100	1RN7 454-8NA60-0C.0	738	134	94.0	95.2	95.7	95.9	0.81	0.83	0.80	0.73	14225	1.90	0.55	4.1	40	2750	o.r.
1190	1RN7 457-8NA60-0A.0	739	148	94.4	95.4	95.8	95.8	0.80	0.81	0.77	0.68	15370	1.85	0.60	4.2	35	2610	o.r.
1220	1RN7 457-8NA60-0C.2	740	148	94.5	95.5	95.8	95.8	0.82	0.83	0.79	0.70	15743	2.00	0.60	4.6	45	3470	o.r.
1260	1RN7 458-8NA60-0A.0	739	154	94.5	95.5	95.8	95.9	0.80	0.82	0.78	0.69	16267	1.95	0.65	4.5	39	2760	o.r.
1310	1RN7 458-8NA60-0C.0	740	160	94.6	95.5	95.9	95.9	0.82	0.83	0.80	0.71	16900	2.10	0.60	4.8	50	3580	o.r.
1400	1RN7 502-8NA60-0A.2	742	174	95.1	95.9	96.4	96.6	0.81	0.81	0.79	0.73	18026	1.95	0.75	3.9	46	2280	o.r.
1400	1RN7 502-8NA60-0C.2	741	170	95.0	95.9	96.4	96.7	0.81	0.83	0.80	0.74	18042	1.95	0.50	3.7	59	2990	o.r.

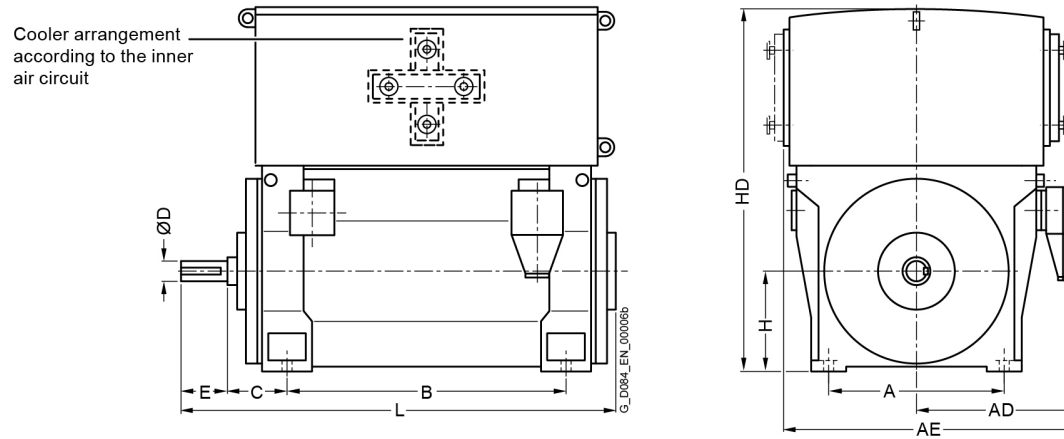
Innomotics HV M - 1RN. IC81W 6000 V / 50 Hz B3 (IM 1001)																		
Rated power IEC	Article No.	Speed	Rated current I_R	Efficiency				Power factor				Torque T_R	Breakdown torque T_B/ T_R	Locked rotor torque T_{LR}/ T_R	Locked rotor current I_{LR}/ I_R	Inertia		
				5/4 load	4/4 load	3/4 load	2/4 load	5/4 load	4/4 load	3/4 load	2/4 load					motor	external	Startup max T/TR
kW		rpm	A	%	%	%	%	$\cos \varphi$	$\cos \varphi$	$\cos \varphi$	$\cos \varphi$	Nm	[-]	[-]	[-]	kgm ²	kgm ²	[-]
1600	1RN7 503-8NA60-0A.2	741	196	95.1	96.0	96.5	96.8	0.80	0.82	0.81	0.76	20625	1.85	0.70	3.7	51	2130	o.r.
1600	1RN7 503-8NA60-0C.2	740	194	94.9	95.9	96.5	96.8	0.80	0.83	0.81	0.77	20641	1.85	0.45	3.5	65	2830	o.r.
1680	1RN7 504-8NA60-0A.2	743	205	95.5	96.2	96.5	96.6	0.82	0.82	0.79	0.72	21626	2.05	0.80	4.2	56	2840	o.r.
1700	1RN7 504-8NA60-0C.2	742	205	95.4	96.2	96.6	96.7	0.82	0.83	0.80	0.74	21881	2.10	0.55	3.9	72	3580	o.r.
1810	1RN7 507-8NA60-0A.2	743	220	95.6	96.3	96.7	96.7	0.82	0.82	0.79	0.72	23296	2.10	0.80	4.2	63	3670	o.r.
1840	1RN7 507-8NA60-0C.2	742	220	95.6	96.3	96.7	96.9	0.82	0.83	0.82	0.74	23674	2.10	0.60	4.0	80	4640	o.r.
2000	1RN7 508-8NA60-0A.2	743	245	95.8	96.4	96.7	96.7	0.81	0.82	0.80	0.72	25731	2.15	0.85	4.4	69	3790	o.r.
2000	1RN7 508-8NA60-0C.2	743	240	95.8	96.4	96.8	96.9	0.82	0.83	0.81	0.73	25739	2.20	0.60	4.2	88	4780	o.r.
2300	1RN7 563-8NA60-0C.2	743	275	95.6	96.3	96.7	96.6	0.82	0.83	0.81	0.75	29553	2.00	0.55	4.4	124	3025	o.r.
2600	1RN7 564-8NA60-0C.2	743	315	95.8	96.4	96.8	96.7	0.83	0.83	0.82	0.76	33406	2.00	0.60	4.5	137	3315	o.r.
2900	1RN7 567-8NA60-0C.2	744	350	96.0	96.5	96.9	96.8	0.83	0.83	0.81	0.74	37262	2.15	0.60	4.7	150	3950	o.r.
3300	1RN7 568-8NA60-0C.2	744	395	96.2	96.7	97.0	96.9	0.83	0.83	0.81	0.75	42419	2.10	0.60	4.6	165	5680	o.r.
3350	1RN8 633-8NA60-0C.0	742	395	95.2	96.0	96.4	96.3	0.83	0.85	0.83	0.77	43113	1.80	0.40	3.8	216	3390	o.r.
3900	1RN8 634-8NA60-0C.0	742	455	95.6	96.3	96.5	96.4	0.84	0.86	0.83	0.76	50192	1.90	0.45	4.1	251	3760	o.r.
4550	1RN8 637-8NA60-0C.0	743	530	96.0	96.5	96.7	96.5	0.85	0.86	0.82	0.75	58478	2.05	0.50	4.4	292	5960	o.r.
4800	1RN8 638-8NA60-0C.0	743	560	96.2	96.7	96.8	96.6	0.85	0.86	0.83	0.76	61691	2.10	0.50	4.5	326	6970	o.r.
5400	1RN8 712-8NA60-0C.0	744	580	96.4	96.8	97.0	96.8	0.85	0.86	0.82	0.75	69309	2.15	0.45	4.6	422	5600	o.r.
5900	1RN8 713-8NA60-0C.0	745	650	96.4	96.9	97.0	96.8	0.86	0.86	0.83	0.75	75625	2.25	0.50	4.8	474	6410	o.r.
6900	1RN8 714-8NA60-0C.0	745	720	96.6	97.0	97.1	96.9	0.86	0.87	0.83	0.76	88443	2.25	0.50	4.8	542	7220	o.r.
7800	1RN8 717-8NA60-0C.0	745	820	96.8	97.1	97.2	96.9	0.86	0.87	0.82	0.74	99979	2.35	0.50	5.0	619	8530	o.r.
8300	1RN8 718-8NA60-0C.0	745	910	96.9	97.2	97.2	97.0	0.87	0.87	0.83	0.75	106388	2.45	0.60	5.2	682	9540	o.r.



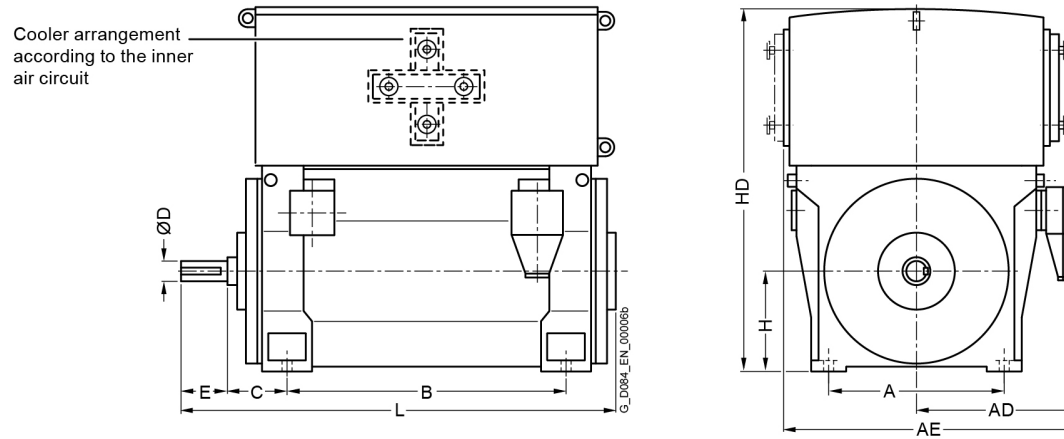
Motor type	Weight kg	Dimensions										
		A mm	AD mm	AE mm	B mm	C mm	D mm	E mm	H mm	HD mm	L mm	ML mm
Innomotics HV M - 1RN. IC81W 6000 V / 50 Hz B3 (IM 1001) - Dimension drawings												
2-pole												
1RN7 453-2NA60-0AA0	4200	850	925	1545	1180	250	95	130	450	1650	1840	o.r.
1RN7 453-2NA60-0AC0	4100	850	925	1545	1180	475	95	130	450	1650	2270	o.r.
1RN7 453-2NA60-0CA0	4350	850	925	1545	1180	250	95	130	450	1650	1840	o.r.
1RN7 453-2NA60-0CC0	4250	850	925	1545	1180	475	95	130	450	1650	2270	o.r.
1RN7 454-2NA60-0AA2	4350	850	925	1545	1180	250	95	130	450	1650	1840	o.r.
1RN7 454-2NA60-0AC2	4250	850	925	1545	1180	475	95	130	450	1650	2270	o.r.
1RN7 454-2NA60-0CA0	4500	850	925	1545	1180	250	95	130	450	1650	1840	o.r.
1RN7 454-2NA60-0CC0	4400	850	925	1545	1180	475	95	130	450	1650	2270	o.r.
1RN7 457-2NA60-0AA2	4700	850	925	1545	1400	250	95	130	450	1650	2050	o.r.
1RN7 457-2NA60-0AC2	4600	850	925	1545	1400	475	95	130	450	1650	2480	o.r.
1RN7 457-2NA60-0CA0	4850	850	925	1545	1400	250	95	130	450	1650	2050	o.r.
1RN7 457-2NA60-0CC0	4750	850	925	1545	1400	475	95	130	450	1650	2480	o.r.
1RN7 458-2NA60-0AA2	4900	850	925	1545	1400	250	95	130	450	1650	2050	o.r.
1RN7 458-2NA60-0AC2	4800	850	925	1545	1400	475	95	130	450	1650	2480	o.r.
1RN7 458-2NA60-0CA0	5050	850	925	1545	1400	250	95	130	450	1650	2050	o.r.
1RN7 458-2NA60-0CC0	5000	850	925	1545	1400	475	95	130	450	1650	2480	o.r.
1RN7 503-2NA60-0AA0	5700	950	1005	1705	1320	250	110	165	500	1790	1960	o.r.
1RN7 503-2NA60-0AC0	5650	950	1005	1705	1320	530	120	165	500	1790	2510	o.r.
1RN7 503-2NA60-0CA0	5850	950	1005	1705	1320	250	110	165	500	1790	1960	o.r.
1RN7 503-2NA60-0CC0	5800	950	1005	1705	1320	530	120	165	500	1790	2510	o.r.
1RN7 504-2NA60-0AA0	5750	950	1005	1705	1320	250	110	165	500	1790	1960	o.r.
1RN7 504-2NA60-0AC0	5700	950	1005	1705	1320	530	120	165	500	1790	2510	o.r.



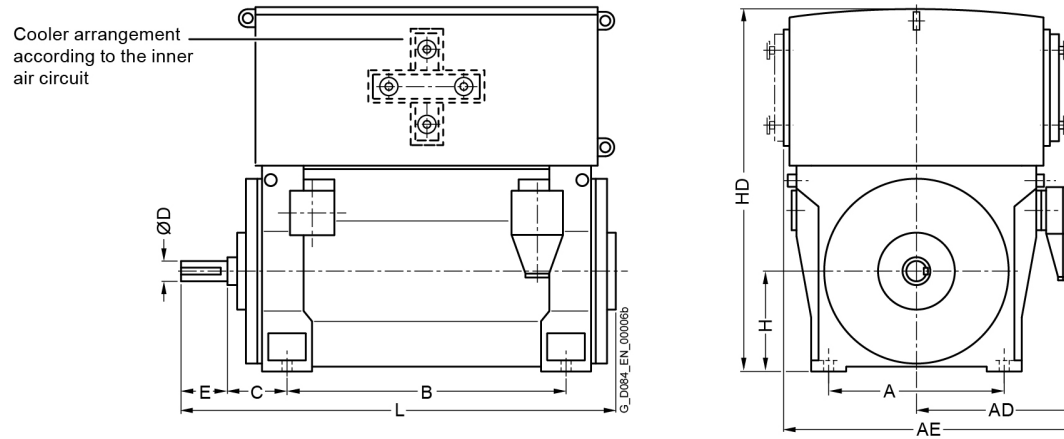
Motor type	Weight kg	Dimensions										
		A mm	AD mm	AE mm	B mm	C mm	D mm	E mm	H mm	HD mm	L mm	ML mm
Innomotics HV M - 1RN. IC81W 6000 V / 50 Hz B3 (IM 1001) - Dimension drawings												
1RN7 504-2NA60-0CA0	5900	950	1005	1705	1320	250	110	165	500	1790	1960	o.r.
1RN7 504-2NA60-0CC0	5850	950	1005	1705	1320	530	120	165	500	1790	2510	o.r.
1RN7 507-2NA60-0AA0	6450	950	1005	1705	1500	250	110	165	500	1790	2170	o.r.
1RN7 507-2NA60-0AC0	6400	950	1005	1705	1500	530	120	165	500	1790	2720	o.r.
1RN7 507-2NA60-0CA2	6600	950	1005	1705	1500	250	110	165	500	1790	2170	o.r.
1RN7 507-2NA60-0CC2	6550	950	1005	1705	1500	530	120	165	500	1790	2720	o.r.
1RN7 508-2NA60-0AA2	6750	950	1005	1705	1500	250	110	165	500	1790	2170	o.r.
1RN7 508-2NA60-0AC2	6700	950	1005	1705	1500	530	120	165	500	1790	2720	o.r.
1RN7 508-2NA60-0CA2	6900	950	1005	1705	1500	250	110	165	500	1790	2170	o.r.
1RN7 508-2NA60-0CC2	6850	950	1005	1705	1500	530	120	165	500	1790	2720	o.r.
1RN7 562-2NA60-0CC2	7700	1060	1290	2060	1400	600	150	200	560	1970	2810	o.r.
1RN7 563-2NA60-0CC2	8000	1060	1290	2060	1400	600	150	200	560	1970	2810	o.r.
1RN7 564-2NA60-0CC2	8200	1060	1290	2060	1400	600	150	200	560	1970	2810	o.r.
1RN7 567-2NA60-0CC2	9050	1060	1290	2060	1600	600	150	200	560	1970	3040	o.r.
1RN7 568-2NA60-0CC2	9650	1060	1290	2060	1600	600	150	200	560	1970	3040	o.r.
1RN8 633-2NA60-0CJ0	9850	1320	1520	2520	1600	560	160	240	630	2250	2890	o.r.
1RN8 634-2NA60-0CJ0	10350	1320	1520	2520	1600	560	160	240	630	2250	2890	o.r.
1RN8 637-2NA60-0CJ0	11250	1320	1520	2520	1800	560	160	240	630	2250	3090	o.r.
1RN8 638-2NA60-0CJ0	11800	1320	1520	2520	1800	560	160	240	630	2250	3090	o.r.
1RN8 712-2NA60-0CJ0	13150	1500	1620	2720	2000	560	180	240	710	2550	3280	o.r.
1RN8 713-2NA60-0CJ0	13800	1500	1620	2720	2000	560	180	240	710	2550	3280	o.r.
1RN8 714-2NA60-0CJ0	14400	1500	1620	2720	2000	560	180	240	710	2550	3280	o.r.
1RN8 716-2NA60-0CJ0	15450	1500	1620	2720	2240	560	180	240	710	2460	3520	o.r.



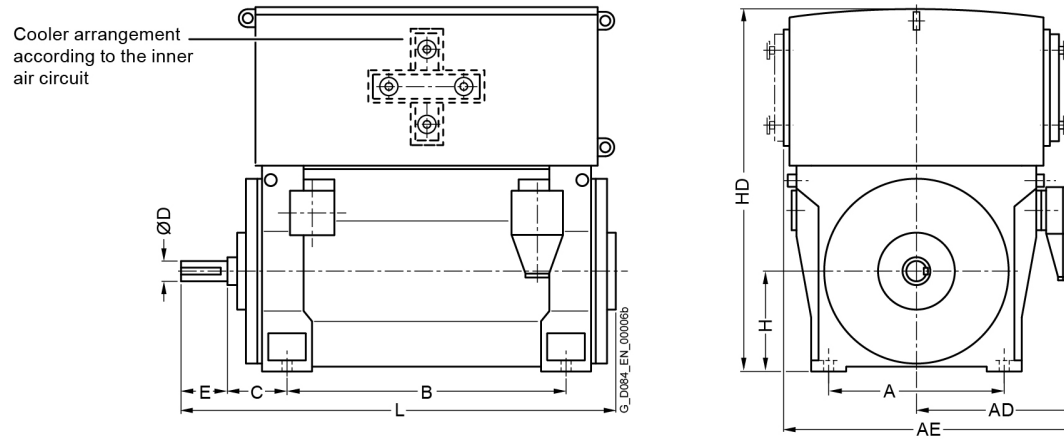
Motor type	Weight kg	Dimensions										
		A mm	AD mm	AE mm	B mm	C mm	D mm	E mm	H mm	HD mm	L mm	ML mm
Innomotics HV M - 1RN. IC81W 6000 V / 50 Hz B3 (IM 1001) - Dimension drawings												
1RN8 717-2NA60-0CJ0	16350	1500	1620	2720	2240	560	180	240	710	2460	3520	o.r.
1RN8 718-2NA60-0CJ0	17350	1500	1620	2720	2240	560	180	240	710	2460	3520	o.r.
4-pole												
1RN7 453-4NA60-0CA2	4400	850	925	1545	1180	250	130	200	450	1740	1920	o.r.
1RN7 453-4NA60-0CC2	4450	850	925	1545	1180	500	130	200	450	1740	2390	o.r.
1RN7 453-4NA60-0AA0	4250	850	925	1545	1180	250	130	200	450	1740	1920	o.r.
1RN7 453-4NA60-0AC0	4300	850	925	1545	1180	500	130	200	450	1740	2390	o.r.
1RN7 454-4NA60-0AA0	4450	850	925	1545	1180	250	130	200	450	1740	1920	o.r.
1RN7 454-4NA60-0AC0	4450	850	925	1545	1180	500	130	200	450	1740	2390	o.r.
1RN7 454-4NA60-0CA2	4600	850	925	1545	1180	250	130	200	450	1740	1920	o.r.
1RN7 454-4NA60-0CC2	4600	850	925	1545	1180	500	130	200	450	1740	2390	o.r.
1RN7 457-4NA60-0AA2	5000	850	925	1545	1400	250	130	200	450	1740	2130	o.r.
1RN7 457-4NA60-0AC2	5050	850	925	1545	1400	500	130	200	450	1740	2600	o.r.
1RN7 457-4NA60-0CA2	5200	850	925	1545	1400	250	130	200	450	1740	2130	o.r.
1RN7 457-4NA60-0CC2	5200	850	925	1545	1400	500	130	200	450	1740	2600	o.r.
1RN7 458-4NA60-0AA0	5200	850	925	1545	1400	250	130	200	450	1740	2130	o.r.
1RN7 458-4NA60-0AC0	5250	850	925	1545	1400	500	130	200	450	1740	2600	o.r.
1RN7 458-4NA60-0CA2	5400	850	925	1545	1400	250	130	200	450	1740	2130	o.r.
1RN7 458-4NA60-0CC2	5450	850	925	1545	1400	500	130	200	450	1740	2600	o.r.
1RN7 503-4NA60-0AA2	5950	950	1005	1705	1320	315	160	240	500	1790	2180	o.r.
1RN7 503-4NA60-0AC2	6050	950	1005	1705	1320	560	170	240	500	1790	2620	o.r.
1RN7 503-4NA60-0CA2	6100	950	1005	1705	1320	315	160	240	500	1790	2180	o.r.
1RN7 503-4NA60-0CC2	6200	950	1005	1705	1320	560	170	240	500	1790	2620	o.r.



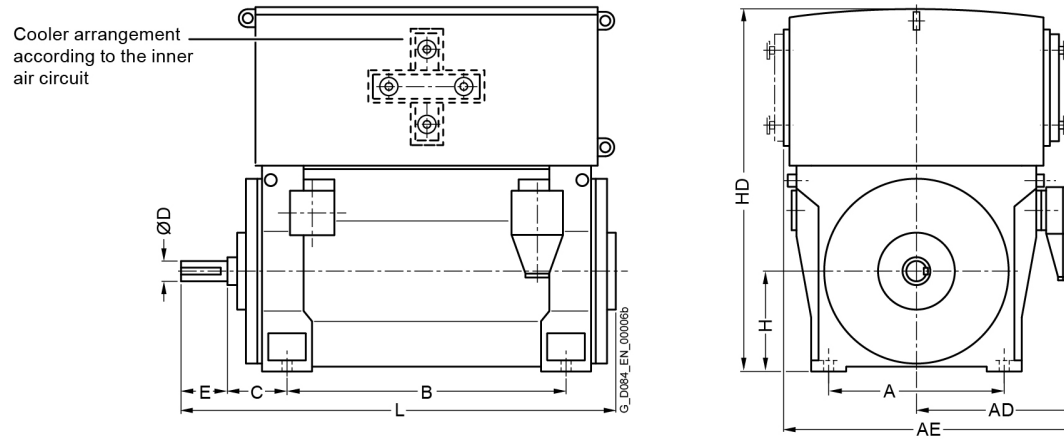
Motor type	Weight kg	Dimensions										
		A mm	AD mm	AE mm	B mm	C mm	D mm	E mm	H mm	HD mm	L mm	ML mm
Innomotics HV M - 1RN. IC81W 6000 V / 50 Hz B3 (IM 1001) - Dimension drawings												
1RN7 504-4NA60-0AA2	6250	950	1005	1705	1320	315	160	240	500	1790	2180	o.r.
1RN7 504-4NA60-0AC2	6300	950	1005	1705	1320	560	170	240	500	1790	2620	o.r.
1RN7 504-4NA60-0CA2	6400	950	1005	1705	1320	315	160	240	500	1790	2180	o.r.
1RN7 504-4NA60-0CC2	6450	950	1005	1705	1320	560	170	240	500	1790	2620	o.r.
1RN7 507-4NA60-0AA2	6900	950	1005	1705	1500	315	160	240	500	1790	2390	o.r.
1RN7 507-4NA60-0AC2	7000	950	1005	1705	1500	560	170	240	500	1790	2830	o.r.
1RN7 507-4NA60-0CA2	7100	950	1005	1705	1500	315	160	240	500	1790	2390	o.r.
1RN7 507-4NA60-0CC2	7150	950	1005	1705	1500	560	170	240	500	1790	2830	o.r.
1RN7 508-4NA60-0CA2	7450	950	1005	1705	1500	315	160	240	500	1790	2390	o.r.
1RN7 508-4NA60-0CC2	7500	950	1005	1705	1500	560	170	240	500	1790	2830	o.r.
1RN7 508-4NA60-0AA2	7200	950	1005	1705	1500	315	160	240	500	1790	2390	o.r.
1RN7 508-4NA60-0AC2	7250	950	1005	1705	1500	560	170	240	500	1790	2830	o.r.
1RN7 562-4NA60-0CA2	7800	1060	1290	2060	1400	335	190	280	560	1970	2390	o.r.
1RN7 562-4NA60-0CC2	7850	1060	1290	2060	1400	600	190	280	560	1970	2850	o.r.
1RN7 563-4NA60-0CA2	8050	1060	1290	2060	1400	335	190	280	560	1970	2390	o.r.
1RN7 563-4NA60-0CC2	8100	1060	1290	2060	1400	600	190	280	560	1970	2850	o.r.
1RN7 564-4NA60-0CA2	8500	1060	1290	2060	1400	335	190	280	560	1970	2390	o.r.
1RN7 564-4NA60-0CC2	8600	1060	1290	2060	1400	600	190	280	560	1970	2850	o.r.
1RN7 566-4NA60-0CA2	9300	1060	1290	2060	1600	335	190	280	560	1970	2620	o.r.
1RN7 566-4NA60-0CC2	9400	1060	1290	2060	1600	600	190	280	560	1970	3080	o.r.
1RN7 567-4NA60-0CA2	9800	1060	1290	2060	1600	335	190	280	560	1970	2620	o.r.
1RN7 567-4NA60-0CC2	9900	1060	1290	2060	1600	600	190	280	560	1970	3080	o.r.
1RN7 568-4NA60-0CA2	10250	1060	1290	2060	1600	335	190	280	560	1970	2620	o.r.



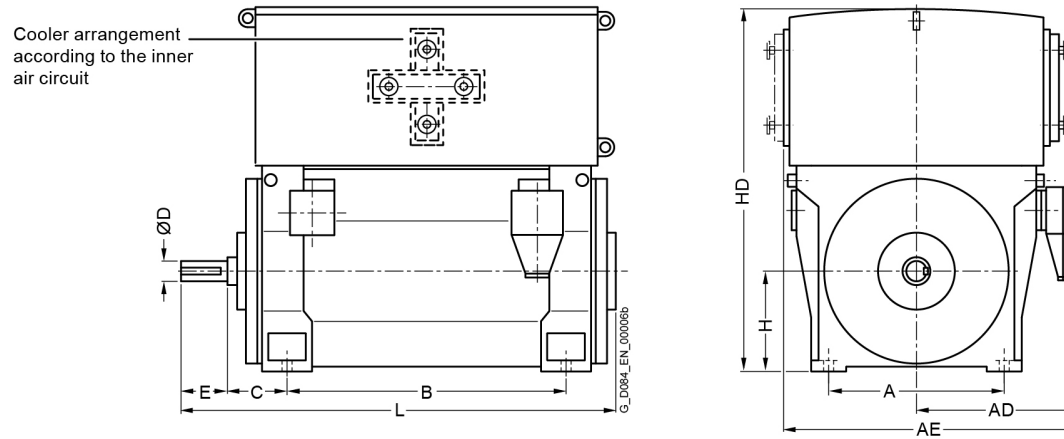
Motor type	Weight kg	Dimensions										
		A mm	AD mm	AE mm	B mm	C mm	D mm	E mm	H mm	HD mm	L mm	ML mm
Innomotics HV M - 1RN. IC81W 6000 V / 50 Hz B3 (IM 1001) - Dimension drawings												
1RN7 568-4NA60-0CC2	10300	1060	1290	2060	1600	600	190	280	560	1970	3080	o.r.
1RN8 633-4NA60-0CG0	10600	1320	1520	2520	1600	375	200	280	630	2250	2610	o.r.
1RN8 633-4NA60-0CJ0	10700	1320	1520	2520	1600	630	200	280	630	2250	3090	o.r.
1RN8 634-4NA60-0CG0	11000	1320	1520	2520	1600	375	200	280	630	2250	2610	o.r.
1RN8 634-4NA60-0CJ0	11100	1320	1520	2520	1600	630	200	280	630	2250	3090	o.r.
1RN8 637-4NA60-0CG0	11850	1320	1520	2520	1800	375	200	280	630	2250	2810	o.r.
1RN8 637-4NA60-0CJ0	11950	1320	1520	2520	1800	630	200	280	630	2250	3290	o.r.
1RN8 638-4NA60-0CG0	12550	1320	1520	2520	1800	375	200	280	630	2250	2810	o.r.
1RN8 638-4NA60-0CJ0	12650	1320	1520	2520	1800	630	200	280	630	2250	3290	o.r.
1RN8 712-4NA60-0CG0	14300	1500	1620	2720	2000	375	220	280	710	2550	3010	o.r.
1RN8 712-4NA60-0CJ0	14450	1500	1620	2720	2000	630	220	280	710	2550	3480	o.r.
1RN8 713-4NA60-0CG0	15000	1500	1620	2720	2000	375	220	280	710	2550	3010	o.r.
1RN8 713-4NA60-0CJ0	15100	1500	1620	2720	2000	630	220	280	710	2550	3480	o.r.
1RN8 714-4NA60-0CG0	15800	1500	1620	2720	2000	375	220	280	710	2550	3010	o.r.
1RN8 714-4NA60-0CJ0	15950	1500	1620	2720	2000	630	220	280	710	2550	3480	o.r.
1RN8 717-4NA60-0CG0	17000	1500	1620	2720	2240	375	220	280	710	2460	3250	o.r.
1RN8 717-4NA60-0CJ0	17150	1500	1620	2720	2240	630	220	280	710	2460	3720	o.r.
1RN8 718-4NA60-0CG0	17550	1500	1620	2720	2240	375	220	280	710	2460	3250	o.r.
1RN8 718-4NA60-0CJ0	17700	1500	1620	2720	2240	630	220	280	710	2460	3720	o.r.
6-pole												
1RN7 453-6NA60-0AA0	4250	850	925	1545	1180	250	130	200	450	1740	1920	o.r.
1RN7 453-6NA60-0ACO	4300	850	925	1545	1180	500	130	200	450	1740	2390	o.r.
1RN7 453-6NA60-0CA0	4450	850	925	1545	1180	250	130	200	450	1740	1920	o.r.



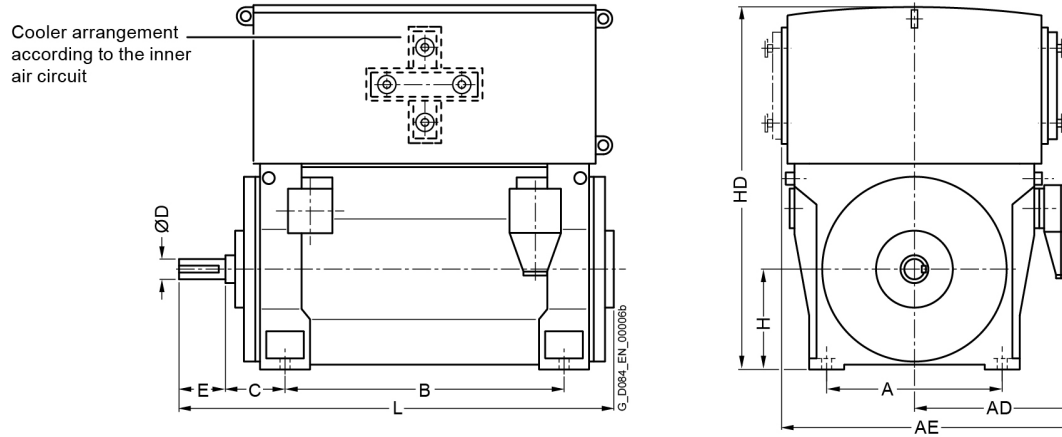
Motor type	Weight kg	Dimensions										
		A mm	AD mm	AE mm	B mm	C mm	D mm	E mm	H mm	HD mm	L mm	ML mm
Innomotics HV M - 1RN. IC81W 6000 V / 50 Hz B3 (IM 1001) - Dimension drawings												
1RN7 453-6NA60-0CC0	4450	850	925	1545	1180	500	130	200	450	1740	2390	o.r.
1RN7 454-6NA60-0AA0	4450	850	925	1545	1180	250	130	200	450	1740	1920	o.r.
1RN7 454-6NA60-0AC0	4500	850	925	1545	1180	500	130	200	450	1740	2390	o.r.
1RN7 454-6NA60-0CA0	4650	850	925	1545	1180	250	130	200	450	1740	1920	o.r.
1RN7 454-6NA60-0CC0	4650	850	925	1545	1180	500	130	200	450	1740	2390	o.r.
1RN7 457-6NA60-0AA0	4900	850	925	1545	1400	250	130	200	450	1740	2130	o.r.
1RN7 457-6NA60-0AC0	4950	850	925	1545	1400	500	130	200	450	1740	2600	o.r.
1RN7 457-6NA60-0CA0	5100	850	925	1545	1400	250	130	200	450	1740	2130	o.r.
1RN7 457-6NA60-0CC0	5150	850	925	1545	1400	500	130	200	450	1740	2600	o.r.
1RN7 458-6NA60-0AA0	5200	850	925	1545	1400	250	130	200	450	1740	2130	o.r.
1RN7 458-6NA60-0AC0	5250	850	925	1545	1400	500	130	200	450	1740	2600	o.r.
1RN7 458-6NA60-0CA0	5400	850	925	1545	1400	250	130	200	450	1740	2130	o.r.
1RN7 458-6NA60-0CC0	5450	850	925	1545	1400	500	130	200	450	1740	2600	o.r.
1RN7 502-6NA60-0AA2	5950	950	1005	1705	1320	315	160	240	500	1910	2180	o.r.
1RN7 502-6NA60-0AC2	6000	950	1005	1705	1320	560	170	240	500	1910	2620	o.r.
1RN7 502-6NA60-0CA2	6150	950	1005	1705	1320	315	160	240	500	1910	2180	o.r.
1RN7 502-6NA60-0CC2	6200	950	1005	1705	1320	560	170	240	500	1910	2620	o.r.
1RN7 503-6NA60-0AA2	6200	950	1005	1705	1320	315	160	240	500	1910	2180	o.r.
1RN7 503-6NA60-0AC2	6250	950	1005	1705	1320	560	170	240	500	1910	2620	o.r.
1RN7 503-6NA60-0CA2	6400	950	1005	1705	1320	315	160	240	500	1910	2180	o.r.
1RN7 503-6NA60-0CC2	6450	950	1005	1705	1320	560	170	240	500	1910	2620	o.r.
1RN7 504-6NA60-0AA2	6400	950	1005	1705	1320	315	160	240	500	1910	2180	o.r.
1RN7 504-6NA60-0AC2	6500	950	1005	1705	1320	560	170	240	500	1910	2620	o.r.



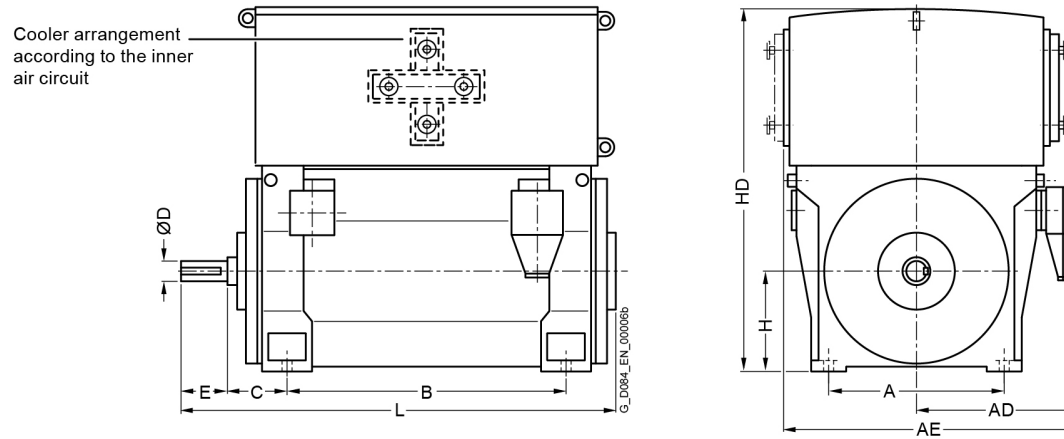
Motor type	Weight kg	Dimensions										
		A mm	AD mm	AE mm	B mm	C mm	D mm	E mm	H mm	HD mm	L mm	ML mm
Innomotics HV M - 1RN. IC81W 6000 V / 50 Hz B3 (IM 1001) - Dimension drawings												
1RN7 504-6NA60-0CA2	6650	950	1005	1705	1320	315	160	240	500	1910	2180	o.r.
1RN7 504-6NA60-0CC2	6700	950	1005	1705	1320	560	170	240	500	1910	2620	o.r.
1RN7 507-6NA60-0AA2	7100	950	1005	1705	1500	315	160	240	500	1910	2390	o.r.
1RN7 507-6NA60-0AC2	7150	950	1005	1705	1500	560	170	240	500	1910	2830	o.r.
1RN7 507-6NA60-0CA2	7350	950	1005	1705	1500	315	160	240	500	1910	2390	o.r.
1RN7 507-6NA60-0CC2	7400	950	1005	1705	1500	560	170	240	500	1910	2830	o.r.
1RN7 508-6NA60-0AA2	7450	950	1005	1705	1500	315	160	240	500	1910	2390	o.r.
1RN7 508-6NA60-0AC2	7500	950	1005	1705	1500	560	170	240	500	1910	2830	o.r.
1RN7 508-6NA60-0CA2	7700	950	1005	1705	1500	315	160	240	500	1910	2390	o.r.
1RN7 508-6NA60-0CC2	7750	950	1005	1705	1500	560	170	240	500	1910	2830	o.r.
1RN7 562-6NA60-0CA2	8400	1060	1290	2060	1400	335	190	280	560	2110	2390	o.r.
1RN7 562-6NA60-0CC2	8450	1060	1290	2060	1400	600	190	280	560	2110	2850	o.r.
1RN7 563-6NA60-0CA2	8700	1060	1290	2060	1400	335	190	280	560	2110	2390	o.r.
1RN7 563-6NA60-0CC2	8750	1060	1290	2060	1400	600	190	280	560	2110	2850	o.r.
1RN7 564-6NA60-0CA2	9050	1060	1290	2060	1400	335	190	280	560	2110	2390	o.r.
1RN7 564-6NA60-0CC2	9150	1060	1290	2060	1400	600	190	280	560	2110	2850	o.r.
1RN7 567-6NA60-0CA2	9850	1060	1290	2060	1600	335	190	280	560	2110	2620	o.r.
1RN7 567-6NA60-0CC2	9950	1060	1290	2060	1600	600	190	280	560	2110	3080	o.r.
1RN7 568-6NA60-0CA2	10500	1060	1290	2060	1600	335	190	280	560	2110	2620	o.r.
1RN7 568-6NA60-0CC2	10600	1060	1290	2060	1600	600	190	280	560	2110	3080	o.r.
1RN8 632-6NA60-0CG0	10500	1320	1520	2520	1600	375	200	280	630	2250	2610	o.r.
1RN8 632-6NA60-0CJ0	10600	1320	1520	2520	1600	630	200	280	630	2250	3090	o.r.
1RN8 633-6NA60-0CG0	10850	1320	1520	2520	1600	375	200	280	630	2250	2610	o.r.



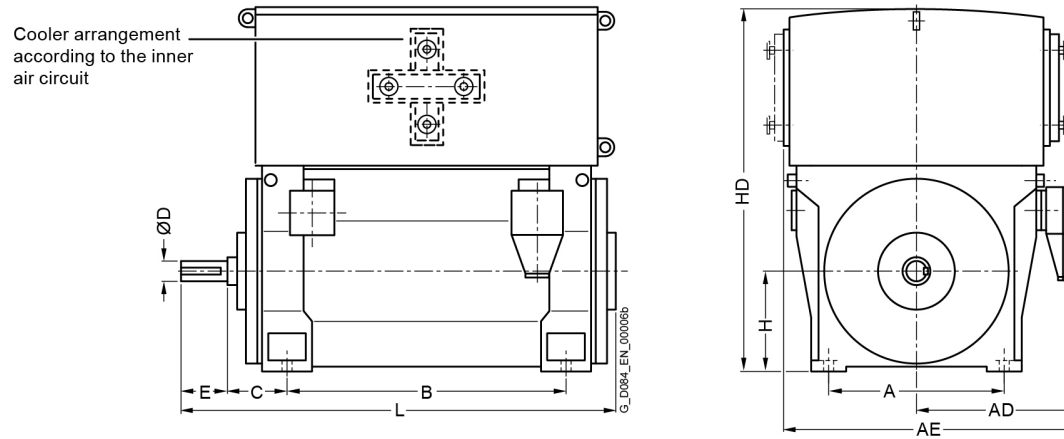
Motor type	Weight	Dimensions										
		A	AD	AE	B	C	D	E	H	HD	L	ML
	kg	mm	mm	mm	mm	mm	mm	mm	mm	mm	mm	mm
Innomotics HV M - 1RN. IC81W 6000 V / 50 Hz B3 (IM 1001) - Dimension drawings												
1RN8 633-6NA60-0CJ0	10950	1320	1520	2520	1600	630	200	280	630	2250	3090	o.r.
1RN8 634-6NA60-0CG0	11500	1320	1520	2520	1600	375	200	280	630	2250	2610	o.r.
1RN8 634-6NA60-0CJ0	11600	1320	1520	2520	1600	630	200	280	630	2250	3090	o.r.
1RN8 637-6NA60-0CG0	12250	1320	1520	2520	1800	375	200	280	630	2250	2810	o.r.
1RN8 637-6NA60-0CJ0	12350	1320	1520	2520	1800	630	200	280	630	2250	3290	o.r.
1RN8 638-6NA60-0CG0	12800	1320	1520	2520	1800	375	200	280	630	2250	2810	o.r.
1RN8 638-6NA60-0CJ0	12900	1320	1520	2520	1800	630	200	280	630	2250	3290	o.r.
1RN8 712-6NA60-0CG0	14150	1500	1620	2720	2000	375	220	280	710	2550	3010	o.r.
1RN8 712-6NA60-0CJ0	14300	1500	1620	2720	2000	630	220	280	710	2550	3480	o.r.
1RN8 713-6NA60-0CG0	15100	1500	1620	2720	2000	375	220	280	710	2550	3010	o.r.
1RN8 713-6NA60-0CJ0	15250	1500	1620	2720	2000	630	220	280	710	2550	3480	o.r.
1RN8 714-6NA60-0CG0	16200	1500	1620	2720	2000	375	220	280	710	2550	3010	o.r.
1RN8 714-6NA60-0CJ0	16300	1500	1620	2720	2000	630	220	280	710	2550	3480	o.r.
1RN8 717-6NA60-0CG0	17650	1500	1620	2720	2240	375	220	280	710	2460	3250	o.r.
1RN8 717-6NA60-0CJ0	17800	1500	1620	2720	2240	630	220	280	710	2460	3720	o.r.
1RN8 718-6NA60-0CG0	18600	1500	1620	2720	2240	375	220	280	710	2460	3250	o.r.
1RN8 718-6NA60-0CJ0	18750	1500	1620	2720	2240	630	220	280	710	2460	3720	o.r.
8-pole												
1RN7 452-8NA60-0AA0	4250	850	925	1545	1180	250	130	200	450	1740	1920	o.r.
1RN7 452-8NA60-0AC0	4300	850	925	1545	1180	500	130	200	450	1740	2390	o.r.
1RN7 452-8NA60-0CA0	4400	850	925	1545	1180	250	130	200	450	1740	1920	o.r.
1RN7 452-8NA60-0CC0	4450	850	925	1545	1180	500	130	200	450	1740	2390	o.r.
1RN7 453-8NA60-0AA0	4450	850	925	1545	1180	250	130	200	450	1740	1920	o.r.



Motor type	Weight kg	Dimensions												
		A mm	AD mm	AE mm	B mm	C mm	D mm	E mm	H mm	HD mm	L mm	ML mm		
Innomotics HV M - 1RN. IC81W 6000 V / 50 Hz B3 (IM 1001) - Dimension drawings														
1RN7 453-8NA60-0AC0	4500	850	925	1545	1180	500	130	200	450	1740	2390	o.r.		
1RN7 453-8NA60-0CA0	4600	850	925	1545	1180	250	130	200	450	1740	1920	o.r.		
1RN7 453-8NA60-0CC0	4650	850	925	1545	1180	500	130	200	450	1740	2390	o.r.		
1RN7 454-8NA60-0AA2	4700	850	925	1545	1180	250	130	200	450	1740	1920	o.r.		
1RN7 454-8NA60-0AC2	4750	850	925	1545	1180	500	130	200	450	1740	2390	o.r.		
1RN7 454-8NA60-0CA0	4850	850	925	1545	1180	250	130	200	450	1740	1920	o.r.		
1RN7 454-8NA60-0CC0	4900	850	925	1545	1180	500	130	200	450	1740	2390	o.r.		
1RN7 457-8NA60-0AA0	5200	850	925	1545	1400	250	130	200	450	1740	2130	o.r.		
1RN7 457-8NA60-0AC0	5250	850	925	1545	1400	500	130	200	450	1740	2600	o.r.		
1RN7 457-8NA60-0CA2	5400	850	925	1545	1400	250	130	200	450	1740	2130	o.r.		
1RN7 457-8NA60-0CC2	5400	850	925	1545	1400	500	130	200	450	1740	2600	o.r.		
1RN7 458-8NA60-0AA0	5450	850	925	1545	1400	250	130	200	450	1740	2130	o.r.		
1RN7 458-8NA60-0AC0	5500	850	925	1545	1400	500	130	200	450	1740	2600	o.r.		
1RN7 458-8NA60-0CA0	5650	850	925	1545	1400	250	130	200	450	1740	2130	o.r.		
1RN7 458-8NA60-0CC0	5700	850	925	1545	1400	500	130	200	450	1740	2600	o.r.		
1RN7 502-8NA60-0AA2	5900	950	1005	1705	1320	315	160	240	500	1910	2180	o.r.		
1RN7 502-8NA60-0AC2	5950	950	1005	1705	1320	560	170	240	500	1910	2620	o.r.		
1RN7 502-8NA60-0CA2	6100	950	1005	1705	1320	315	160	240	500	1910	2180	o.r.		
1RN7 502-8NA60-0CC2	6200	950	1005	1705	1320	560	170	240	500	1910	2620	o.r.		
1RN7 503-8NA60-0AA2	6150	950	1005	1705	1320	315	160	240	500	1910	2180	o.r.		
1RN7 503-8NA60-0AC2	6200	950	1005	1705	1320	560	170	240	500	1910	2620	o.r.		
1RN7 503-8NA60-0CA2	6400	950	1005	1705	1320	315	160	240	500	1910	2180	o.r.		
1RN7 503-8NA60-0CC2	6450	950	1005	1705	1320	560	170	240	500	1910	2620	o.r.		



Motor type	Weight kg	Dimensions												
		A mm	AD mm	AE mm	B mm	C mm	D mm	E mm	H mm	HD mm	L mm	ML mm		
Innomotics HV M - 1RN. IC81W 6000 V / 50 Hz B3 (IM 1001) - Dimension drawings														
1RN7 504-8NA60-0AA2	6450	950	1005	1705	1320	315	160	240	500	1910	2180	o.r.		
1RN7 504-8NA60-0AC2	6500	950	1005	1705	1320	560	170	240	500	1910	2620	o.r.		
1RN7 504-8NA60-0CA2	6700	950	1005	1705	1320	315	160	240	500	1910	2180	o.r.		
1RN7 504-8NA60-0CC2	6750	950	1005	1705	1320	560	170	240	500	1910	2620	o.r.		
1RN7 507-8NA60-0AA2	7100	950	1005	1705	1500	315	160	240	500	1910	2390	o.r.		
1RN7 507-8NA60-0AC2	7150	950	1005	1705	1500	560	170	240	500	1910	2830	o.r.		
1RN7 507-8NA60-0CA2	7350	950	1005	1705	1500	315	160	240	500	1910	2390	o.r.		
1RN7 507-8NA60-0CC2	7450	950	1005	1705	1500	560	170	240	500	1910	2830	o.r.		
1RN7 508-8NA60-0AA2	7450	950	1005	1705	1500	315	160	240	500	1910	2390	o.r.		
1RN7 508-8NA60-0AC2	7500	950	1005	1705	1500	560	170	240	500	1910	2830	o.r.		
1RN7 508-8NA60-0CA2	7700	950	1005	1705	1500	315	160	240	500	1910	2390	o.r.		
1RN7 508-8NA60-0CC2	7800	950	1005	1705	1500	560	170	240	500	1910	2830	o.r.		
1RN7 563-8NA60-0CA2	8400	1060	1075	1845	1400	335	190	280	560	2110	2390	o.r.		
1RN7 563-8NA60-0CC2	8450	1060	1075	1845	1400	600	190	280	560	2110	2850	o.r.		
1RN7 564-8NA60-0CA2	8850	1060	1075	1845	1400	335	190	280	560	2110	2390	o.r.		
1RN7 564-8NA60-0CC2	8900	1060	1075	1845	1400	600	190	280	560	2110	2850	o.r.		
1RN7 567-8NA60-0CA2	9700	1060	1075	1845	1600	335	190	280	560	2110	2620	o.r.		
1RN7 567-8NA60-0CC2	9800	1060	1075	1845	1600	600	190	280	560	2110	3080	o.r.		
1RN7 568-8NA60-0CA2	10250	1060	1075	1845	1600	335	190	280	560	2110	2620	o.r.		
1RN7 568-8NA60-0CC2	10350	1060	1075	1845	1600	600	190	280	560	2110	3080	o.r.		
1RN8 633-8NA60-0CG0	9750	1320	1520	2520	1600	375	200	280	630	2380	2610	o.r.		
1RN8 633-8NA60-0CJ0	9850	1320	1520	2520	1600	630	200	280	630	2380	3090	o.r.		
1RN8 634-8NA60-0CG0	10500	1320	1520	2520	1600	375	200	280	630	2380	2610	o.r.		



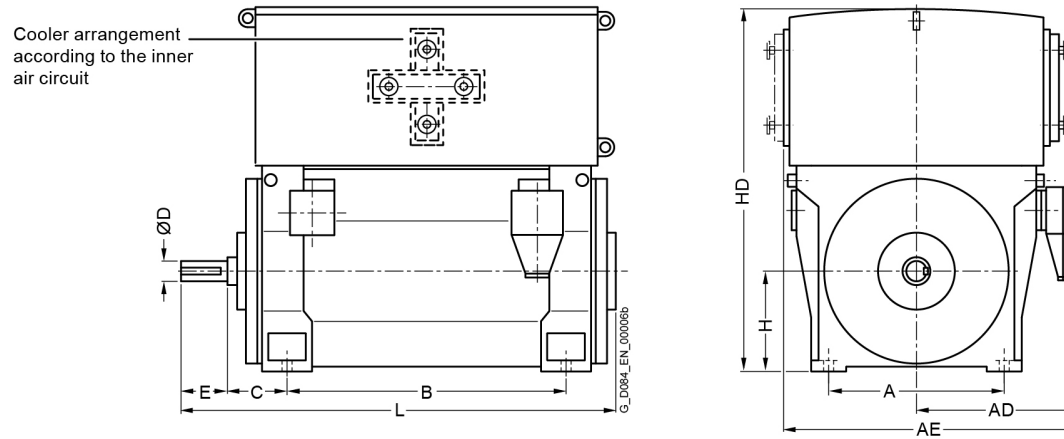
Motor type	Weight kg	Dimensions										
		A mm	AD mm	AE mm	B mm	C mm	D mm	E mm	H mm	HD mm	L mm	ML mm
Innomotics HV M - 1RN. IC81W 6000 V / 50 Hz B3 (IM 1001) - Dimension drawings												
1RN8 634-8NA60-0CJ0	10650	1320	1520	2520	1600	630	200	280	630	2380	3090	o.r.
1RN8 637-8NA60-0CG0	11750	1320	1520	2520	1800	375	200	280	630	2380	2810	o.r.
1RN8 637-8NA60-0CJ0	11850	1320	1520	2520	1800	630	200	280	630	2380	3290	o.r.
1RN8 638-8NA60-0CG0	12450	1320	1520	2520	1800	375	200	280	630	2380	2810	o.r.
1RN8 638-8NA60-0CJ0	12550	1320	1520	2520	1800	630	200	280	630	2380	3290	o.r.
1RN8 712-8NA60-0CG0	13750	1500	1620	2720	2000	375	220	280	710	2550	3010	o.r.
1RN8 712-8NA60-0CJ0	13950	1500	1620	2720	2000	630	220	280	710	2550	3480	o.r.
1RN8 713-8NA60-0CG0	14500	1500	1620	2720	2000	375	220	280	710	2550	3010	o.r.
1RN8 713-8NA60-0CJ0	14700	1500	1620	2720	2000	630	220	280	710	2550	3480	o.r.
1RN8 714-8NA60-0CG0	15700	1500	1620	2720	2000	375	220	280	710	2550	3010	o.r.
1RN8 714-8NA60-0CJ0	15900	1500	1620	2720	2000	630	220	280	710	2550	3480	o.r.
1RN8 717-8NA60-0CG0	17250	1500	1620	2720	2240	375	220	280	710	2460	3250	o.r.
1RN8 717-8NA60-0CJ0	17450	1500	1620	2720	2240	630	220	280	710	2460	3720	o.r.
1RN8 718-8NA60-0CG0	18300	1500	1620	2720	2240	375	220	280	710	2460	3250	o.r.
1RN8 718-8NA60-0CJ0	18500	1500	1620	2720	2240	630	220	280	710	2460	3720	o.r.

Innomotics HV M - 1RN. IC81W 6600 V / 60 Hz B3 (IM 1001)																					
Rated power IEC	Article No.	Speed	Rated current				Efficiency				Power factor				Torque	Breakdown torque	Locked rotor torque	Locked rotor current	Inertia		
			I_R	5/4 load	4/4 load	3/4 load	2/4 load	5/4 load	4/4 load	3/4 load	2/4 load	5/4 load	4/4 load	3/4 load					2/4 load	T_R	T_B/ T_R
kW		rpm	A	%	%	%	%	cos φ	cos φ	cos φ	cos φ	Nm	[-]	[-]	[-]	[-]	kgm ²	kgm ²	[-]		
2-pole: n_{sync} = 3600 rpm at 60 Hz																					
1760	1RN7 452-2NA10-0C.0	3572	182	95.5	96.1	96.2	95.8	0.86	0.88	0.88	0.87	4705	2.00	0.50	4.5	13	80	o.r.			
2000	1RN7 453-2NA10-0A.0	3574	210	95.7	96.3	96.4	95.9	0.85	0.87	0.85	0.81	5344	2.05	0.40	5.0	10	15	o.r.			
2050	1RN7 453-2NA10-0C.0	3572	210	95.6	96.3	96.3	95.9	0.86	0.88	0.88	0.87	5480	2.00	0.50	4.5	14	80	o.r.			
2150	1RN7 454-2NA10-0A.0	3575	220	95.8	96.4	96.5	96.1	0.87	0.88	0.87	0.83	5743	2.20	0.50	5.1	11	20	o.r.			
2200	1RN7 454-2NA10-0C.0	3573	225	95.8	96.4	96.4	96.1	0.88	0.89	0.90	0.88	5880	2.10	0.50	5.0	15	85	o.r.			
2400	1RN7 457-2NA10-0A.0	3575	245	96.0	96.5	96.6	96.1	0.86	0.88	0.87	0.83	6411	2.20	0.50	5.2	12	20	o.r.			
2450	1RN7 457-2NA10-0C.0	3574	250	95.9	96.5	96.6	96.2	0.87	0.89	0.89	0.88	6546	2.10	0.50	5.0	16	90	o.r.			
2550	1RN7 458-2NA10-0A.0	3576	255	96.1	96.7	96.8	96.4	0.88	0.90	0.89	0.86	6809	2.30	0.55	5.5	13	25	o.r.			
2600	1RN7 458-2NA10-0C.0	3574	260	96.1	96.6	96.8	96.4	0.89	0.91	0.91	0.90	6947	2.25	0.60	5.2	17	95	o.r.			
3150	1RN7 503-2NA10-0C.0	3573	325	96.2	96.6	96.8	96.6	0.87	0.88	0.89	0.86	8419	2.15	0.60	4.2	20	62	o.r.			
3400	1RN7 504-2NA10-0C.0	3573	350	96.3	96.7	96.9	96.7	0.87	0.88	0.89	0.84	9087	2.15	0.60	4.2	21	58	o.r.			
3800	1RN7 507-2NA10-0C.0	3574	385	96.5	96.9	97.1	96.9	0.88	0.89	0.90	0.87	10153	2.20	0.65	4.4	24	64	o.r.			
4200	1RN7 508-2NA10-0C.0	3578	420	96.8	97.1	97.2	96.9	0.90	0.90	0.90	0.86	11209	2.55	0.70	5.3	27	74	o.r.			
4910	1RN7 562-2NA10-0CC0	3578	500	96.3	96.7	96.8	96.4	0.85	0.88	0.88	0.86	13104	2.00	0.50	4.6	41	145	o.r.			
5730	1RN7 564-2NA10-0CC0	3581	590	96.5	96.9	96.9	96.4	0.86	0.88	0.88	0.86	15280	2.15	0.50	4.9	47	160	o.r.			
6010	1RN7 567-2NA10-0CC0	3581	600	96.6	97.0	97.0	96.6	0.88	0.90	0.90	0.88	16027	2.30	0.50	5.2	52	180	o.r.			
6960	1RN7 568-2NA10-0CC0	3583	700	96.9	97.2	97.2	96.8	0.88	0.90	0.89	0.87	18550	2.35	0.55	5.4	58	185	o.r.			
7500	1RN8 632-2NA10-0CJ0	3579	780	96.5	97.0	96.8	96.1	0.84	0.87	0.88	0.88	20011	1.85	0.45	4.4	75	120	o.r.			
8350	1RN8 633-2NA10-0CJ0	3580	850	96.7	97.1	96.9	96.3	0.85	0.88	0.89	0.89	22273	1.90	0.50	4.6	82	120	o.r.			
9200	1RN8 634-2NA10-0CJ0	3580	930	97.0	97.3	97.1	96.4	0.87	0.89	0.90	0.89	24540	2.10	0.50	5.0	90	120	o.r.			
10400	1RN8 637-2NA10-0CJ0	3581	1040	97.0	97.4	97.2	96.6	0.87	0.90	0.90	0.90	27733	2.10	0.55	5.0	99	100	o.r.			
11550	1RN8 638-2NA10-0CJ0	3582	1160	97.2	97.5	97.3	96.8	0.88	0.90	0.91	0.90	30791	2.15	0.55	5.2	108	100	o.r.			
12400	1RN8 713-2NA10-0CJ0	3584	1260	96.8	97.0	96.8	96.1	0.85	0.89	0.89	0.89	33039	1.80	0.40	4.1	160	50	o.r.			
13700	1RN8 714-2NA10-0CJ0	3585	1360	97.1	97.2	97.0	96.3	0.88	0.90	0.90	0.90	36492	1.95	0.50	4.7	173	40	o.r.			
15300	1RN8 716-2NA10-0CJ0	3585	1520	97.2	97.3	97.1	96.4	0.88	0.90	0.90	0.90	40754	2.00	0.55	4.8	186	30	o.r.			
16000	1RN8 717-2NA10-0CJ0	3586	1580	97.3	97.4	97.1	96.4	0.89	0.91	0.91	0.90	42607	2.15	0.40	5.0	202	30	o.r.			
4-pole: n_{sync} = 1800 rpm at 60 Hz																					
1850	1RN7 453-4NA10-0A.0	1779	194	95.2	96.0	96.4	96.3	0.86	0.87	0.85	0.80	9930	2.10	0.55	5.0	17	150	o.r.			
1930	1RN7 453-4NA10-0C.0	1782	200	95.4	96.2	96.5	96.4	0.86	0.87	0.85	0.80	10342	2.05	0.45	4.5	23	270	o.r.			
2030	1RN7 454-4NA10-0A.0	1781	210	95.5	96.2	96.5	96.4	0.87	0.88	0.85	0.79	10884	2.25	0.65	5.2	19	185	o.r.			
2110	1RN7 454-4NA10-0C.0	1783	220	95.6	96.3	96.6	96.6	0.87	0.88	0.87	0.82	11301	2.05	0.45	4.5	25	300	o.r.			
2350	1RN7 457-4NA10-0A.0	1782	240	95.9	96.5	96.7	96.6	0.88	0.88	0.86	0.79	12593	2.45	0.75	5.8	22	245	o.r.			
2450	1RN7 457-4NA10-0C.0	1785	250	96.0	96.6	96.9	96.7	0.88	0.89	0.87	0.82	13107	2.20	0.50	5.0	30	385	o.r.			
2550	1RN7 458-4NA10-0A.0	1782	260	96.0	96.6	96.8	96.7	0.88	0.89	0.87	0.81	13665	2.45	0.75	5.8	24	250	o.r.			
2700	1RN7 458-4NA10-0C.0	1786	275	96.2	96.8	97.0	96.8	0.88	0.89	0.87	0.81	14436	2.35	0.55	5.2	32	415	o.r.			
3050	1RN7 503-4NA10-0A.0	1784	315	96.2	96.8	97.1	97.0	0.86	0.87	0.87	0.83	16326	2.15	0.65	4.7	37	370	o.r.			

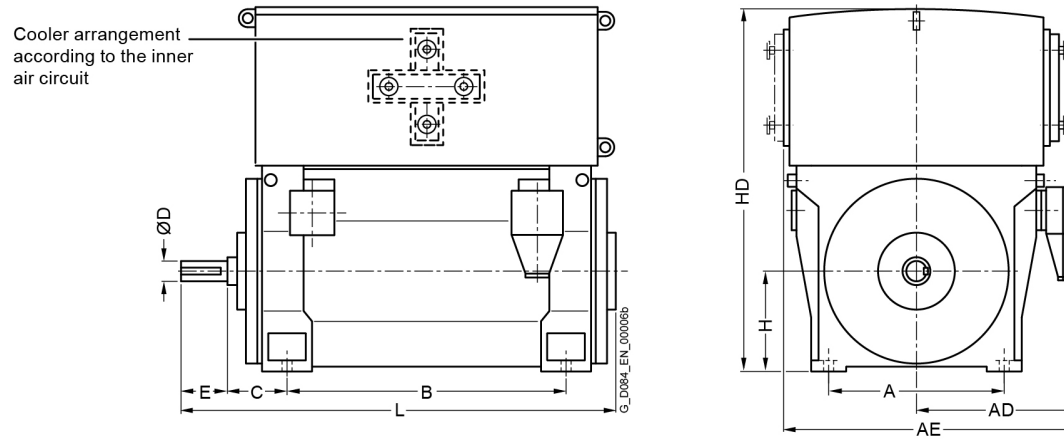
Innomotics HV M - 1RN. IC81W 6600 V / 60 Hz B3 (IM 1001)																		
Rated power IEC	Article No.	Speed	Rated current I_R	Efficiency				Power factor				Torque T_R	Breakdown torque T_B/ T_R	Locked rotor torque T_{LR}/ T_R	Locked rotor current I_{LR}/ I_R	Inertia		
				5/4 load	4/4 load	3/4 load	2/4 load	5/4 load	4/4 load	3/4 load	2/4 load					motor	external	Startup max T/TR
kW		rpm	A	%	%	%	%	cos φ	cos φ	cos φ	cos φ	Nm	[-]	[-]	[-]	kgm ²	kgm ²	[-]
3000	1RN7 503-4NA10-0C.0	1786	310	96.4	96.9	97.2	97.0	0.87	0.88	0.87	0.84	16040	2.10	0.50	4.4	45	235	o.r.
3400	1RN7 504-4NA10-0A.0	1784	350	96.4	96.9	97.2	97.1	0.87	0.88	0.87	0.82	18199	2.25	0.70	5.0	40	480	o.r.
3450	1RN7 504-4NA10-0C.0	1786	350	96.5	97.0	97.3	97.1	0.87	0.89	0.87	0.84	18446	2.20	0.50	4.5	50	550	o.r.
3750	1RN7 507-4NA10-0A.0	1786	385	96.6	97.0	97.3	97.0	0.87	0.88	0.86	0.80	20050	2.40	0.80	5.4	46	415	o.r.
3800	1RN7 507-4NA10-0C.0	1788	385	96.7	97.1	97.3	97.1	0.88	0.89	0.87	0.83	20295	2.40	0.55	5.0	56	465	o.r.
4000	1RN7 508-4NA10-0A.0	1786	405	96.7	97.1	97.3	97.1	0.88	0.89	0.87	0.82	21387	2.60	0.90	5.8	50	405	o.r.
4100	1RN7 508-4NA10-0C.0	1788	415	96.8	97.2	97.4	97.1	0.88	0.89	0.88	0.83	21897	2.45	0.60	5.1	62	440	o.r.
4400	1RN7 563-4NA10-0C.0	1789	450	96.8	97.2	97.5	97.3	0.86	0.88	0.88	0.85	23486	2.00	0.55	4.8	80	470	o.r.
5000	1RN7 564-4NA10-0C.0	1790	505	97.0	97.3	97.6	97.4	0.88	0.89	0.89	0.86	26674	2.15	0.65	5.2	90	520	o.r.
5650	1RN7 566-4NA10-0C.0	1789	564	97.0	97.4	97.7	97.6	0.88	0.90	0.89	0.87	30158	2.10	0.60	5.1	100	565	o.r.
6300	1RN7 567-4NA10-0C.0	1789	628	97.1	97.5	97.8	97.7	0.88	0.90	0.90	0.88	33628	2.10	0.60	5.1	110	610	o.r.
7100	1RN7 568-4NA10-0C.0	1789	707	97.2	97.6	97.9	97.8	0.88	0.90	0.90	0.89	37898	2.00	0.60	4.9	119	640	o.r.
7800	1RN8 633-4NA10-0C.0	1789	790	97.0	97.4	97.5	97.3	0.87	0.89	0.88	0.85	41635	2.05	0.50	5.0	151	310	o.r.
8950	1RN8 634-4NA10-0C.0	1789	900	97.1	97.5	97.7	97.5	0.87	0.89	0.88	0.86	47773	2.05	0.50	5.0	166	310	o.r.
10100	1RN8 637-4NA10-0C.0	1790	1020	97.3	97.6	97.7	97.5	0.87	0.89	0.88	0.85	53882	2.10	0.50	5.0	182	330	o.r.
10750	1RN8 638-4NA10-0C.0	1790	1060	97.2	97.7	97.8	97.7	0.87	0.90	0.90	0.88	57349	2.10	0.50	5.0	198	370	o.r.
11100	1RN8 712-4NA10-0C.0	1791	1120	97.4	97.6	97.7	97.4	0.88	0.89	0.88	0.85	59183	2.30	0.50	5.3	259	380	o.r.
12150	1RN8 713-4NA10-0C.0	1791	1220	97.5	97.7	97.8	97.5	0.88	0.89	0.89	0.85	64782	2.40	0.50	5.7	284	410	o.r.
13500	1RN8 714-4NA10-0C.0	1791	1340	97.5	97.8	97.8	97.6	0.88	0.90	0.89	0.86	71980	2.40	0.50	5.7	312	420	o.r.
15000	1RN8 717-4NA10-0C.0	1791	1500	97.5	97.8	97.9	97.6	0.89	0.90	0.90	0.86	79977	2.40	0.50	5.8	346	460	o.r.
15400	1RN8 718-4NA10-0C.0	1791	1520	97.6	97.8	97.9	97.7	0.90	0.91	0.91	0.88	82110	2.45	0.55	5.9	365	500	o.r.
6-pole: n_{sync} = 1200 rpm at 60 Hz																		
1420	1RN7 452-6NA10-0A.0	1187	158	94.9	95.7	96.0	96.0	0.82	0.82	0.78	0.68	11424	2.10	0.70	5.0	20	480	o.r.
1580	1RN7 453-6NA10-0A.0	1187	174	95.1	95.9	96.2	96.3	0.82	0.83	0.79	0.70	12711	2.10	0.70	5.0	22	595	o.r.
1600	1RN7 453-6NA10-0C.0	1187	172	95.0	95.9	96.3	96.4	0.83	0.85	0.83	0.77	12872	2.00	0.55	4.5	30	790	o.r.
1720	1RN7 454-6NA10-0A.0	1188	186	95.2	96.0	96.3	96.4	0.83	0.84	0.80	0.71	13826	2.10	0.70	5.0	24	640	o.r.
1750	1RN7 454-6NA10-0C.0	1187	188	95.1	96.0	96.4	96.5	0.84	0.85	0.83	0.78	14079	2.00	0.55	4.5	33	835	o.r.
1880	1RN7 457-6NA10-0A.0	1188	200	95.3	96.1	96.5	96.5	0.83	0.85	0.82	0.74	15112	2.10	0.70	5.0	28	710	o.r.
1900	1RN7 457-6NA10-0C.0	1187	200	95.3	96.1	96.5	96.6	0.84	0.86	0.84	0.79	15285	2.05	0.55	4.6	36	950	o.r.
2070	1RN7 458-6NA10-0A.0	1189	220	95.6	96.3	96.6	96.6	0.84	0.85	0.81	0.73	16625	2.20	0.80	5.4	31	780	o.r.
2100	1RN7 458-6NA10-0C.0	1189	220	95.6	96.3	96.7	96.7	0.85	0.87	0.85	0.79	16866	2.20	0.65	5.0	41	990	o.r.
2520	1RN7 503-6NA10-0A.0	1189	270	95.9	96.5	96.9	96.8	0.83	0.84	0.81	0.73	20239	2.15	0.80	4.6	46	1200	o.r.
2440	1RN7 503-6NA10-0C.0	1191	260	96.1	96.7	97.0	96.9	0.84	0.85	0.83	0.77	19564	2.15	0.70	4.4	60	1250	o.r.
2820	1RN7 504-6NA10-0A.0	1190	305	96.1	96.7	96.9	96.9	0.83	0.83	0.79	0.70	22629	2.25	0.90	4.7	51	1350	o.r.
2860	1RN7 504-6NA10-0C.0	1191	305	96.3	96.8	97.1	97.0	0.84	0.85	0.82	0.76	22931	2.15	0.70	4.3	66	1400	o.r.
3050	1RN7 507-6NA10-0A.0	1190	330	96.3	96.8	97.1	97.0	0.83	0.84	0.80	0.71	24475	2.30	0.85	4.9	58	1500	o.r.
3140	1RN7 507-6NA10-0C.0	1191	335	96.4	97.0	97.2	97.1	0.84	0.85	0.83	0.77	25176	2.15	0.65	4.4	74	1550	o.r.

Innomotics HV M - 1RN. IC81W 6600 V / 60 Hz B3 (IM 1001)																			
Rated power IEC	Article No.	Speed	Rated current I_R	Efficiency				Power factor				Torque T_R	Breakdown torque T_B/ T_R	Locked rotor torque T_{LR}/ T_R	Locked rotor current I_{LR}/ I_R	Inertia			
				5/4 load	4/4 load	3/4 load	2/4 load	5/4 load	4/4 load	3/4 load	2/4 load					motor	external	Startup max T/TR	
kW		rpm	A	%	%	%	%	cos φ	cos φ	cos φ	cos φ	Nm	[-]	[-]	[-]	kgm ²	kgm ²	kgm ²	[-]
3250	1RN7 508-6NA10-0C.0	1192	340	96.5	97.0	97.2	97.2	0.85	0.86	0.84	0.78	26036	2.20	0.75	4.5	81	1650	o.r.	
3160	1RN7 508-6NA10-0A.0	1189	330	96.3	96.8	97.2	97.2	0.84	0.86	0.85	0.79	25379	2.15	0.85	4.7	63	1600	o.r.	
4000	1RN7 562-6NA10-0C.0	1191	425	96.4	96.9	97.1	96.9	0.84	0.85	0.84	0.79	32072	2.20	0.60	4.8	105	1140	o.r.	
3550	1RN7 562-6NA10-0H.0	1192	375	96.4	96.9	97.0	96.8	0.85	0.86	0.85	0.81	28440	2.25	0.60	5.0	105	1180	o.r.	
4650	1RN7 567-6NA10-0C.0	1192	480	96.6	97.1	97.3	97.2	0.85	0.87	0.86	0.82	37252	2.25	0.60	5.0	134	1490	o.r.	
5100	1RN7 568-6NA10-0C.0	1193	530	96.9	97.3	97.4	97.3	0.86	0.87	0.86	0.82	40823	2.35	0.65	5.2	150	1930	o.r.	
5900	1RN8 632-6NA10-0C.0	1191	620	96.7	97.1	97.3	97.0	0.84	0.86	0.83	0.77	47305	2.10	0.50	4.8	193	1120	o.r.	
6650	1RN8 633-6NA10-0C.0	1191	700	96.8	97.2	97.4	97.1	0.84	0.86	0.83	0.77	53319	2.10	0.53	4.8	209	1110	o.r.	
7150	1RN8 634-6NA10-0C.0	1191	740	96.8	97.3	97.4	97.2	0.85	0.87	0.84	0.78	57328	2.10	0.54	4.8	227	1250	o.r.	
7800	1RN8 637-6NA10-0C.0	1191	810	96.9	97.3	97.5	97.3	0.85	0.87	0.85	0.79	62539	2.10	0.55	4.8	247	1350	o.r.	
8350	1RN8 638-6NA10-0C.0	1191	860	97.0	97.4	97.5	97.3	0.85	0.87	0.85	0.79	66949	2.15	0.56	4.9	265	1490	o.r.	
8900	1RN8 712-6NA10-0C.0	1193	930	97.2	97.6	97.7	97.5	0.85	0.86	0.85	0.79	71240	2.15	0.50	5.1	331	1270	o.r.	
9750	1RN8 713-6NA10-0C.0	1194	1000	97.3	97.6	97.7	97.5	0.85	0.87	0.84	0.78	77978	2.30	0.55	5.4	374	1550	o.r.	
10800	1RN8 714-6NA10-0C.0	1194	1100	97.3	97.7	97.8	97.5	0.86	0.88	0.85	0.80	86376	2.30	0.55	5.4	424	1780	o.r.	
12000	1RN8 717-6NA10-0C.0	1194	1220	97.4	97.7	97.9	97.6	0.87	0.88	0.86	0.80	95973	2.35	0.60	5.5	478	2080	o.r.	
13000	1RN8 718-6NA10-0C.0	1194	1320	97.5	97.8	97.9	97.6	0.87	0.88	0.86	0.80	103971	2.45	0.60	5.5	524	2300	o.r.	
8-pole: n _{sync} = 900 rpm at 60 Hz																			
1040	1RN7 452-8NA10-0A.0	889	120	94.3	95.3	95.6	95.3	0.79	0.80	0.75	0.64	11171	1.80	0.55	4.5	25	1150	o.r.	
1110	1RN7 452-8NA10-0C.0	889	126	94.2	95.2	95.6	95.4	0.80	0.81	0.78	0.68	11923	1.85	0.50	4.5	32	1510	o.r.	
1130	1RN7 453-8NA10-0A.0	889	128	94.5	95.5	95.8	95.6	0.79	0.81	0.77	0.67	12138	1.80	0.55	4.5	28	1180	o.r.	
1220	1RN7 453-8NA10-0C.0	889	136	94.4	95.5	95.9	95.8	0.80	0.82	0.79	0.71	13105	1.85	0.50	4.5	36	1600	o.r.	
1250	1RN7 454-8NA10-0A.0	890	142	94.5	95.5	95.8	95.6	0.80	0.81	0.77	0.66	13412	1.85	0.55	4.5	31	1200	o.r.	
1300	1RN7 454-8NA10-0C.0	890	144	94.6	95.5	95.8	95.6	0.82	0.83	0.79	0.69	13948	2.00	0.55	4.5	40	1650	o.r.	
1400	1RN7 457-8NA10-0A.0	890	158	94.8	95.7	96.0	95.7	0.80	0.81	0.77	0.66	15021	1.90	0.60	4.5	35	1740	o.r.	
1460	1RN7 457-8NA10-0C.0	890	160	94.9	95.7	96.0	95.8	0.82	0.83	0.79	0.69	15665	2.05	0.55	5.0	45	2200	o.r.	
1530	1RN7 458-8NA10-0A.0	890	172	94.9	95.8	96.1	95.8	0.80	0.81	0.77	0.67	16416	1.90	0.60	4.5	39	1950	o.r.	
1570	1RN7 458-8NA10-0C.0	891	172	95.1	95.9	96.1	95.9	0.82	0.83	0.79	0.70	16826	2.15	0.55	5.0	50	2250	o.r.	
1680	1RN7 502-8NA10-0C.0	891	188	95.5	96.2	96.7	96.7	0.80	0.81	0.80	0.73	18005	2.00	0.45	3.7	59	2620	o.r.	
1800	1RN7 503-8NA10-0A.0	893	205	95.8	96.3	96.6	96.3	0.80	0.80	0.75	0.65	19248	2.15	0.75	4.3	51	2100	o.r.	
1830	1RN7 503-8NA10-0C.0	892	205	95.8	96.4	96.7	96.6	0.81	0.82	0.79	0.70	19591	2.15	0.55	4.0	65	2720	o.r.	
2000	1RN7 504-8NA10-0A.0	893	225	96.0	96.5	96.7	96.5	0.81	0.81	0.76	0.67	21387	2.15	0.75	4.3	56	2450	o.r.	
2040	1RN7 504-8NA10-0C.0	892	225	95.9	96.5	96.8	96.7	0.81	0.83	0.79	0.71	21839	2.15	0.55	4.0	72	3080	o.r.	
2200	1RN7 507-8NA10-0A.0	893	245	96.1	96.6	96.8	96.6	0.81	0.81	0.77	0.67	23526	2.15	0.75	4.4	63	2710	o.r.	
2280	1RN7 507-8NA10-0C.0	892	250	96.0	96.6	96.9	96.8	0.82	0.83	0.80	0.72	24409	2.15	0.55	4.1	80	3310	o.r.	
2480	1RN7 508-8NA10-0A.0	893	280	96.1	96.6	96.8	96.5	0.81	0.80	0.75	0.65	26520	2.25	0.80	4.5	69	2550	o.r.	
2550	1RN7 508-8NA10-0C.0	893	280	96.1	96.6	96.9	96.8	0.82	0.83	0.79	0.70	27268	2.25	0.60	4.2	88	3150	o.r.	
2800	1RN7 563-8NA10-0C.0	894	310	96.1	96.5	96.9	96.6	0.82	0.82	0.80	0.73	29908	2.10	0.55	4.6	124	2530	o.r.	

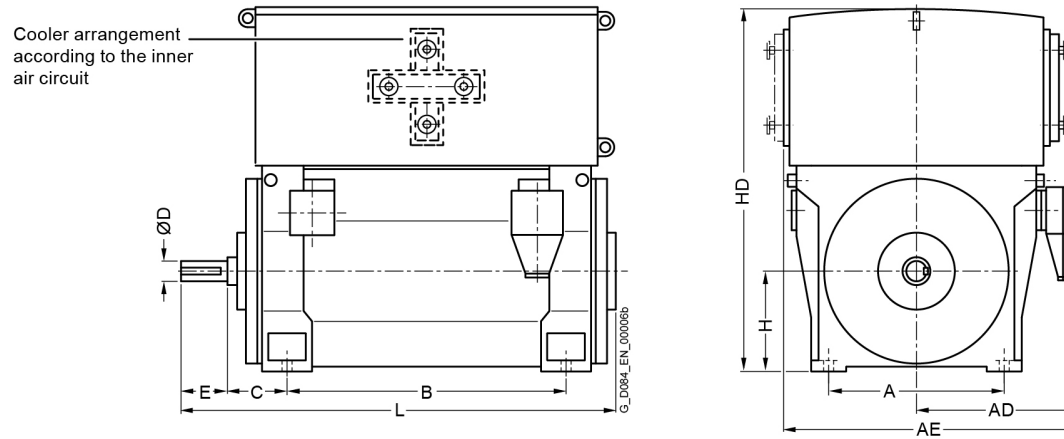
Innomotics HV M - 1RN. IC81W 6600 V / 60 Hz B3 (IM 1001)																		
Rated power IEC	Article No.	Speed	Rated current I_R	Efficiency				Power factor				Torque T_R	Breakdown torque T_B / T_R	Locked rotor torque T_{LR} / T_R	Locked rotor current I_{LR} / I_R	Inertia		
				5/4 load	4/4 load	3/4 load	2/4 load	5/4 load	4/4 load	3/4 load	2/4 load					motor	external	Startup max T/TR
kW		rpm	A	%	%	%	%	$\cos \varphi$	$\cos \varphi$	$\cos \varphi$	$\cos \varphi$	Nm	[-]	[-]	[-]	kgm ²	kgm ²	[-]
3150	1RN7 564-8NA10-0C.0	894	350	96.3	96.7	97.0	96.7	0.82	0.82	0.79	0.72	33647	2.20	0.60	4.8	137	3005	o.r.
3550	1RN7 567-8NA10-0C.0	893	390	96.3	96.7	97.1	96.9	0.82	0.82	0.81	0.75	37962	2.05	0.55	4.5	150	3015	o.r.
4000	1RN7 568-8NA10-0C.0	894	440	96.5	96.8	97.2	97.0	0.82	0.82	0.81	0.74	42726	2.05	0.55	4.6	165	3725	o.r.
4050	1RN8 633-8NA10-0C.0	892	430	95.8	96.4	96.5	96.2	0.84	0.85	0.82	0.75	43357	1.90	0.40	4.1	216	2690	o.r.
4850	1RN8 634-8NA10-0C.0	892	520	96.0	96.6	96.7	96.4	0.84	0.85	0.82	0.76	51922	1.90	0.40	4.1	251	2950	o.r.
5400	1RN8 637-8NA10-0C.0	893	570	96.4	96.8	96.8	96.4	0.85	0.86	0.82	0.75	57745	2.05	0.40	4.5	292	3640	o.r.
5700	1RN8 638-8NA10-0C.0	894	600	96.5	96.9	96.9	96.5	0.85	0.86	0.82	0.75	60885	2.15	0.50	5.0	326	4290	o.r.
6100	1RN8 712-8NA10-0C.0	895	640	96.6	97.0	96.9	96.6	0.86	0.86	0.82	0.74	65085	2.30	0.55	5.0	422	3590	o.r.
6900	1RN8 713-8NA10-0C.0	895	720	96.8	97.1	97.0	96.6	0.86	0.86	0.82	0.74	73620	2.40	0.55	5.1	474	4020	o.r.
7900	1RN8 714-8NA10-0C.0	895	820	96.9	97.2	97.1	96.7	0.87	0.87	0.82	0.74	84290	2.50	0.60	5.3	542	4540	o.r.
9250	1RN8 717-8NA10-0C.0	895	960	97.1	97.3	97.3	96.8	0.87	0.87	0.82	0.74	98694	2.45	0.55	5.3	620	4970	o.r.
10000	1RN8 718-8NA10-0C.0	895	1040	97.2	97.4	97.3	96.9	0.87	0.87	0.83	0.74	106696	2.55	0.55	5.5	684	5590	o.r.



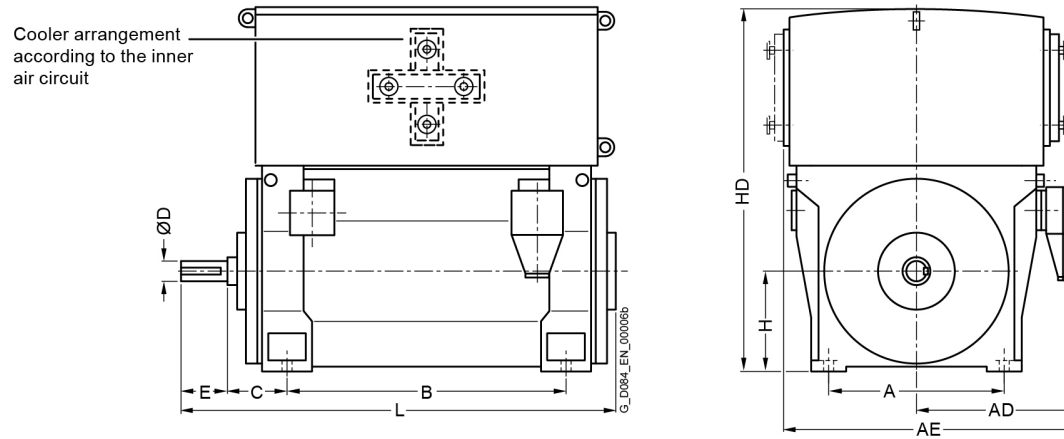
Motor type	Weight	Dimensions											
		A	AD	AE	B	C	D	E	H	HD	L	ML	
	kg	mm	mm	mm	mm	mm	mm	mm	mm	mm	mm	mm	mm
Innomotics HV M - 1RN. IC81W 6600 V / 60 Hz B3 (IM 1001) - Dimension drawings													
2-pole													
1RN7 452-2NA10-0CA0	4200	850	925	1545	1180	250	95	130	450	1650	1840	o.r.	
1RN7 452-2NA10-0CC0	4100	850	925	1545	1180	475	95	130	450	1650	2270	o.r.	
1RN7 453-2NA10-0AA0	4250	850	925	1545	1180	250	95	130	450	1650	1840	o.r.	
1RN7 453-2NA10-0AC0	4150	850	925	1545	1180	475	95	130	450	1650	2270	o.r.	
1RN7 453-2NA10-0CA0	4350	850	925	1545	1180	250	95	130	450	1650	1840	o.r.	
1RN7 453-2NA10-0CC0	4250	850	925	1545	1180	475	95	130	450	1650	2270	o.r.	
1RN7 454-2NA10-0AA0	4300	850	925	1545	1180	250	95	130	450	1650	1840	o.r.	
1RN7 454-2NA10-0AC0	4200	850	925	1545	1180	475	95	130	450	1650	2270	o.r.	
1RN7 454-2NA10-0CA0	4450	850	925	1545	1180	250	95	130	450	1650	1840	o.r.	
1RN7 454-2NA10-0CC0	4350	850	925	1545	1180	475	95	130	450	1650	2270	o.r.	
1RN7 457-2NA10-0AA0	4700	850	925	1545	1400	250	95	130	450	1650	2050	o.r.	
1RN7 457-2NA10-0AC0	4600	850	925	1545	1400	475	95	130	450	1650	2480	o.r.	
1RN7 457-2NA10-0CA0	4850	850	925	1545	1400	250	95	130	450	1650	2050	o.r.	
1RN7 457-2NA10-0CC0	4750	850	925	1545	1400	475	95	130	450	1650	2480	o.r.	
1RN7 458-2NA10-0AA0	4900	850	925	1545	1400	250	95	130	450	1650	2050	o.r.	
1RN7 458-2NA10-0AC0	4800	850	925	1545	1400	475	95	130	450	1650	2480	o.r.	
1RN7 458-2NA10-0CA0	5050	850	925	1545	1400	250	95	130	450	1650	2050	o.r.	
1RN7 458-2NA10-0CC0	4950	850	925	1545	1400	475	95	130	450	1650	2480	o.r.	
1RN7 503-2NA10-0CA0	5850	950	1005	1705	1320	250	110	165	500	1790	1960	o.r.	
1RN7 503-2NA10-0CC0	5800	950	1005	1705	1320	530	120	165	500	1790	2510	o.r.	
1RN7 504-2NA10-0CA0	5950	950	1005	1705	1320	250	110	165	500	1790	1960	o.r.	
1RN7 504-2NA10-0CC0	5900	950	1005	1705	1320	530	120	165	500	1790	2510	o.r.	



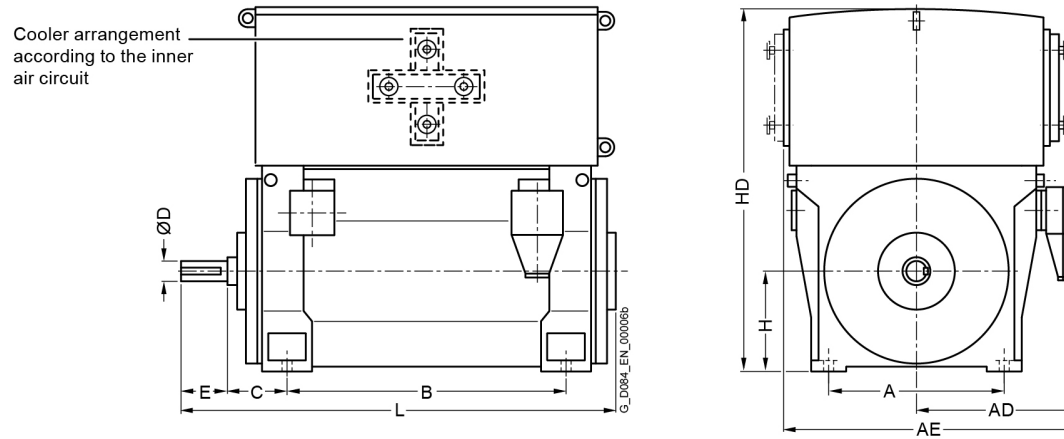
Motor type	Weight kg	Dimensions										
		A mm	AD mm	AE mm	B mm	C mm	D mm	E mm	H mm	HD mm	L mm	ML mm
Innomotics HV M - 1RN. IC81W 6600 V / 60 Hz B3 (IM 1001) - Dimension drawings												
1RN7 507-2NA10-OCA0	6600	950	1005	1705	1500	250	110	165	500	1790	2170	o.r.
1RN7 507-2NA10-OCC0	6500	950	1005	1705	1500	530	120	165	500	1790	2720	o.r.
1RN7 508-2NA10-OCA0	6950	950	1005	1705	1500	250	110	165	500	1790	2170	o.r.
1RN7 508-2NA10-OCC0	6900	950	1005	1705	1500	530	120	165	500	1790	2720	o.r.
1RN7 562-2NA10-OCC0	7700	1060	1290	2060	1400	600	150	200	560	1970	2810	o.r.
1RN7 564-2NA10-OCC0	8200	1060	1290	2060	1400	600	150	200	560	1970	2810	o.r.
1RN7 567-2NA10-OCC0	8950	1060	1290	2060	1600	600	150	200	560	1970	3040	o.r.
1RN7 568-2NA10-OCC0	9600	1060	1290	2060	1600	600	150	200	560	1970	3040	o.r.
1RN8 632-2NA10-0CJ0	9350	1320	1520	2520	1600	560	160	240	630	2250	2890	o.r.
1RN8 633-2NA10-0CJ0	9850	1320	1520	2520	1600	560	160	240	630	2250	2890	o.r.
1RN8 634-2NA10-0CJ0	10400	1320	1520	2520	1600	560	160	240	630	2250	2890	o.r.
1RN8 637-2NA10-0CJ0	11200	1320	1520	2520	1800	560	160	240	630	2250	3090	o.r.
1RN8 638-2NA10-0CJ0	11900	1320	1520	2520	1800	560	160	240	630	2250	3090	o.r.
1RN8 713-2NA10-0CJ0	13700	1500	1620	2720	2000	560	180	240	710	2550	3280	o.r.
1RN8 714-2NA10-0CJ0	14500	1500	1620	2720	2000	560	180	240	710	2550	3280	o.r.
1RN8 716-2NA10-0CJ0	15550	1500	1620	2720	2240	560	180	240	710	2460	3520	o.r.
1RN8 717-2NA10-0CJ0	16300	1500	1620	2720	2240	560	180	240	710	2460	3520	o.r.
4-pole												
1RN7 453-4NA10-0AA0	4250	850	925	1545	1180	250	130	200	450	1740	1920	o.r.
1RN7 453-4NA10-0AC0	4250	850	925	1545	1180	500	130	200	450	1740	2390	o.r.
1RN7 453-4NA10-0CA0	4400	850	925	1545	1180	250	130	200	450	1740	1920	o.r.
1RN7 453-4NA10-0CC0	4400	850	925	1545	1180	500	130	200	450	1740	2390	o.r.
1RN7 454-4NA10-0AA0	4400	850	925	1545	1180	250	130	200	450	1740	1920	o.r.



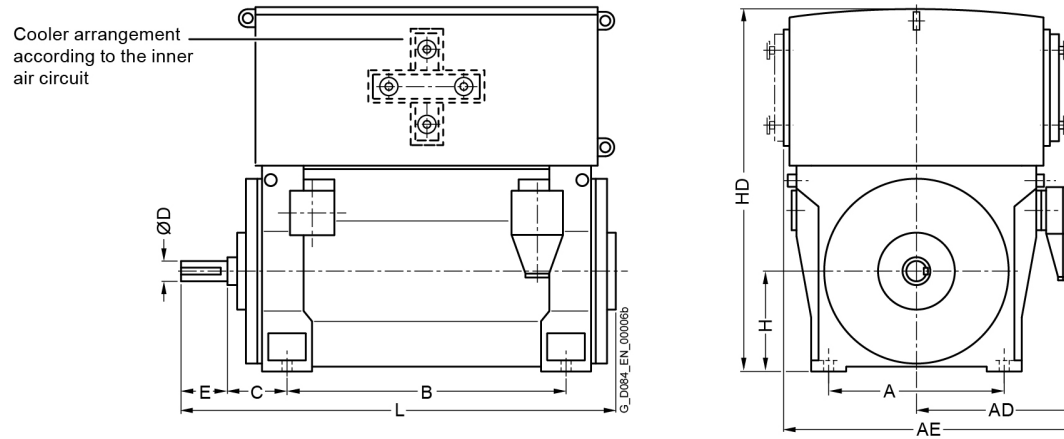
Motor type	Weight kg	Dimensions										
		A mm	AD mm	AE mm	B mm	C mm	D mm	E mm	H mm	HD mm	L mm	ML mm
Innomotics HV M - 1RN. IC81W 6600 V / 60 Hz B3 (IM 1001) - Dimension drawings												
1RN7 454-4NA10-0AC0	4450	850	925	1545	1180	500	130	200	450	1740	2390	o.r.
1RN7 454-4NA10-0CA0	4550	850	925	1545	1180	250	130	200	450	1740	1920	o.r.
1RN7 454-4NA10-0CC0	4600	850	925	1545	1180	500	130	200	450	1740	2390	o.r.
1RN7 457-4NA10-0AA0	5000	850	925	1545	1400	250	130	200	450	1740	2130	o.r.
1RN7 457-4NA10-0AC0	5050	850	925	1545	1400	500	130	200	450	1740	2600	o.r.
1RN7 457-4NA10-0CA0	5200	850	925	1545	1400	250	130	200	450	1740	2130	o.r.
1RN7 457-4NA10-0CC0	5200	850	925	1545	1400	500	130	200	450	1740	2600	o.r.
1RN7 458-4NA10-0AA0	5250	850	925	1545	1400	250	130	200	450	1740	2130	o.r.
1RN7 458-4NA10-0AC0	5250	850	925	1545	1400	500	130	200	450	1740	2600	o.r.
1RN7 458-4NA10-0CA0	5400	850	925	1545	1400	250	130	200	450	1740	2130	o.r.
1RN7 458-4NA10-0CC0	5450	850	925	1545	1400	500	130	200	450	1740	2600	o.r.
1RN7 503-4NA10-0AA0	6000	950	1005	1705	1320	315	160	240	500	1790	2180	o.r.
1RN7 503-4NA10-0AC0	6050	950	1005	1705	1320	560	170	240	500	1790	2620	o.r.
1RN7 503-4NA10-0CA0	6150	950	1005	1705	1320	315	160	240	500	1790	2180	o.r.
1RN7 503-4NA10-0CC0	6200	950	1005	1705	1320	560	170	240	500	1790	2620	o.r.
1RN7 504-4NA10-0AA0	6300	950	1005	1705	1320	315	160	240	500	1790	2180	o.r.
1RN7 504-4NA10-0AC0	6350	950	1005	1705	1320	560	170	240	500	1790	2620	o.r.
1RN7 504-4NA10-0CA0	6450	950	1005	1705	1320	315	160	240	500	1790	2180	o.r.
1RN7 504-4NA10-0CC0	6500	950	1005	1705	1320	560	170	240	500	1790	2620	o.r.
1RN7 507-4NA10-0AA0	6900	950	1005	1705	1500	315	160	240	500	1790	2390	o.r.
1RN7 507-4NA10-0AC0	7000	950	1005	1705	1500	560	170	240	500	1790	2830	o.r.
1RN7 507-4NA10-0CA0	7100	950	1005	1705	1500	315	160	240	500	1790	2390	o.r.
1RN7 507-4NA10-0CC0	7150	950	1005	1705	1500	560	170	240	500	1790	2830	o.r.



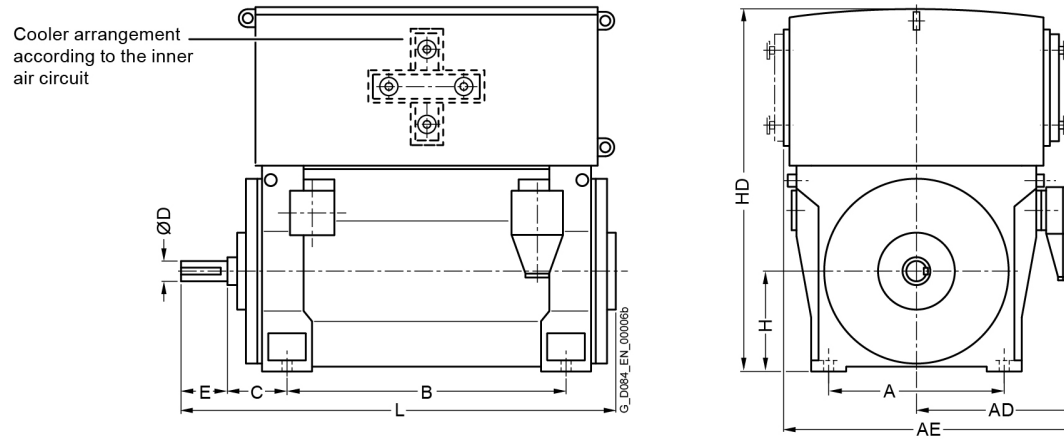
Motor type	Weight kg	Dimensions										
		A mm	AD mm	AE mm	B mm	C mm	D mm	E mm	H mm	HD mm	L mm	ML mm
Innomotics HV M - 1RN. IC81W 6600 V / 60 Hz B3 (IM 1001) - Dimension drawings												
1RN7 508-4NA10-0AA0	7200	950	1005	1705	1500	315	160	240	500	1790	2390	o.r.
1RN7 508-4NA10-0AC0	7300	950	1005	1705	1500	560	170	240	500	1790	2830	o.r.
1RN7 508-4NA10-0CA0	7400	950	1005	1705	1500	315	160	240	500	1790	2390	o.r.
1RN7 508-4NA10-0CC0	7450	950	1005	1705	1500	560	170	240	500	1790	2830	o.r.
1RN7 563-4NA10-0CA0	8050	1060	1290	2060	1400	335	190	280	560	1970	2390	o.r.
1RN7 563-4NA10-0CC0	8150	1060	1290	2060	1400	600	190	280	560	1970	2850	o.r.
1RN7 564-4NA10-0CA0	8450	1060	1290	2060	1400	335	190	280	560	1970	2390	o.r.
1RN7 564-4NA10-0CC0	8550	1060	1290	2060	1400	600	190	280	560	1970	2850	o.r.
1RN7 566-4NA10-0CA0	9300	1060	1290	2060	1600	335	190	280	560	1970	2620	o.r.
1RN7 566-4NA10-0CC0	9350	1060	1290	2060	1600	600	190	280	560	1970	3080	o.r.
1RN7 567-4NA10-0CA0	9800	1060	1290	2060	1600	335	190	280	560	1970	2620	o.r.
1RN7 567-4NA10-0CC0	9850	1060	1290	2060	1600	600	190	280	560	1970	3080	o.r.
1RN7 568-4NA10-0CA0	10250	1060	1290	2060	1600	335	190	280	560	1970	2620	o.r.
1RN7 568-4NA10-0CC0	10300	1060	1290	2060	1600	600	190	280	560	1970	3080	o.r.
1RN8 633-4NA10-0CG0	10450	1320	1520	2520	1600	375	200	280	630	2250	2610	o.r.
1RN8 633-4NA10-0CJ0	10550	1320	1520	2520	1600	630	200	280	630	2250	3090	o.r.
1RN8 634-4NA10-0CG0	11050	1320	1520	2520	1600	375	200	280	630	2250	2610	o.r.
1RN8 634-4NA10-0CJ0	11150	1320	1520	2520	1600	630	200	280	630	2250	3090	o.r.
1RN8 637-4NA10-0CG0	12000	1320	1520	2520	1800	375	200	280	630	2250	2810	o.r.
1RN8 637-4NA10-0CJ0	12100	1320	1520	2520	1800	630	200	280	630	2250	3290	o.r.
1RN8 638-4NA10-0CG0	12500	1320	1520	2520	1800	375	200	280	630	2250	2810	o.r.
1RN8 638-4NA10-0CJ0	12600	1320	1520	2520	1800	630	200	280	630	2250	3290	o.r.
1RN8 712-4NA10-0CG0	14250	1500	1620	2720	2000	375	220	280	710	2550	3010	o.r.



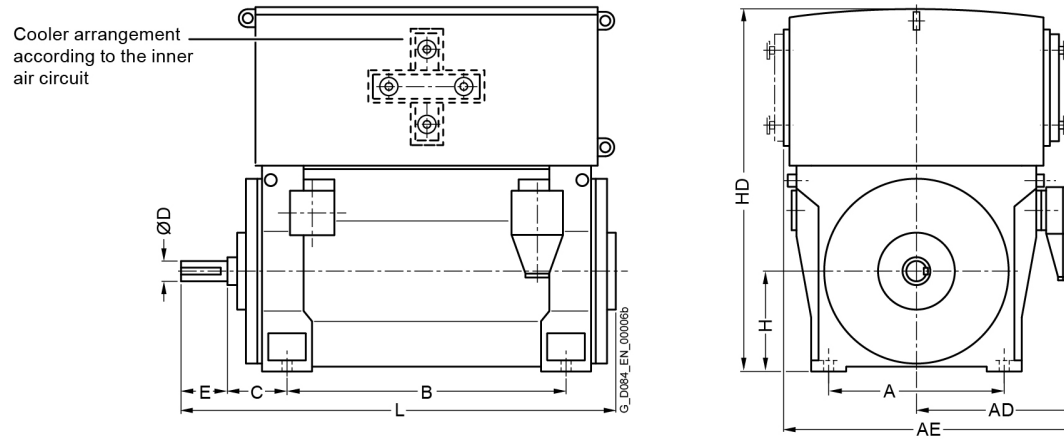
Motor type	Weight kg	Dimensions										
		A mm	AD mm	AE mm	B mm	C mm	D mm	E mm	H mm	HD mm	L mm	ML mm
Innomotics HV M - 1RN. IC81W 6600 V / 60 Hz B3 (IM 1001) - Dimension drawings												
1RN8 712-4NA10-0CJ0	14400	1500	1620	2720	2000	630	220	280	710	2550	3480	o.r.
1RN8 713-4NA10-0CG0	15000	1500	1620	2720	2000	375	220	280	710	2550	3010	o.r.
1RN8 713-4NA10-0CJ0	15100	1500	1620	2720	2000	630	220	280	710	2550	3480	o.r.
1RN8 714-4NA10-0CG0	15750	1500	1620	2720	2000	375	220	280	710	2550	3010	o.r.
1RN8 714-4NA10-0CJ0	15900	1500	1620	2720	2000	630	220	280	710	2550	3480	o.r.
1RN8 717-4NA10-0CG0	17000	1500	1620	2720	2240	375	220	280	710	2460	3250	o.r.
1RN8 717-4NA10-0CJ0	17150	1500	1620	2720	2240	630	220	280	710	2460	3720	o.r.
1RN8 718-4NA10-0CG0	17500	1500	1620	2720	2240	375	220	280	710	2460	3250	o.r.
1RN8 718-4NA10-0CJ0	17650	1500	1620	2720	2240	630	220	280	710	2460	3720	o.r.
6-pole												
1RN7 452-6NA10-0AA0	4100	850	925	1545	1180	250	130	200	450	1740	1920	o.r.
1RN7 452-6NA10-0AC0	4150	850	925	1545	1180	500	130	200	450	1740	2390	o.r.
1RN7 453-6NA10-0AA0	4300	850	925	1545	1180	250	130	200	450	1740	1920	o.r.
1RN7 453-6NA10-0AC0	4300	850	925	1545	1180	500	130	200	450	1740	2390	o.r.
1RN7 453-6NA10-0CA0	4450	850	925	1545	1180	250	130	200	450	1740	1920	o.r.
1RN7 453-6NA10-0CC0	4500	850	925	1545	1180	500	130	200	450	1740	2390	o.r.
1RN7 454-6NA10-0AA0	4450	850	925	1545	1180	250	130	200	450	1740	1920	o.r.
1RN7 454-6NA10-0AC0	4500	850	925	1545	1180	500	130	200	450	1740	2390	o.r.
1RN7 454-6NA10-0CA0	4600	850	925	1545	1180	250	130	200	450	1740	1920	o.r.
1RN7 454-6NA10-0CC0	4650	850	925	1545	1180	500	130	200	450	1740	2390	o.r.
1RN7 457-6NA10-0AA0	4900	850	925	1545	1400	250	130	200	450	1740	2130	o.r.
1RN7 457-6NA10-0AC0	4950	850	925	1545	1400	500	130	200	450	1740	2600	o.r.
1RN7 457-6NA10-0CA0	5100	850	925	1545	1400	250	130	200	450	1740	2130	o.r.



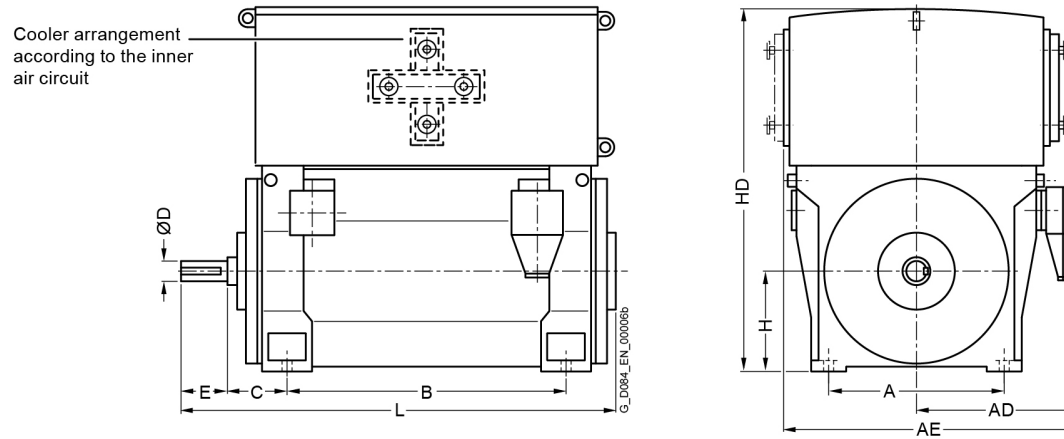
Motor type	Weight	Dimensions										
		A	AD	AE	B	C	D	E	H	HD	L	ML
	kg	mm	mm	mm	mm	mm	mm	mm	mm	mm	mm	mm
Innomotics HV M - 1RN. IC81W 6600 V / 60 Hz B3 (IM 1001) - Dimension drawings												
1RN7 457-6NA10-0CC0	5150	850	925	1545	1400	500	130	200	450	1740	2600	o.r.
1RN7 458-6NA10-0AA0	5200	850	925	1545	1400	250	130	200	450	1740	2130	o.r.
1RN7 458-6NA10-0AC0	5250	850	925	1545	1400	500	130	200	450	1740	2600	o.r.
1RN7 458-6NA10-0CA0	5400	850	925	1545	1400	250	130	200	450	1740	2130	o.r.
1RN7 458-6NA10-0CC0	5450	850	925	1545	1400	500	130	200	450	1740	2600	o.r.
1RN7 503-6NA10-0AA0	6150	950	1005	1705	1320	315	160	240	500	1910	2180	o.r.
1RN7 503-6NA10-0AC0	6250	950	1005	1705	1320	560	170	240	500	1910	2620	o.r.
1RN7 503-6NA10-0CA0	6400	950	1005	1705	1320	315	160	240	500	1910	2180	o.r.
1RN7 503-6NA10-0CC0	6450	950	1005	1705	1320	560	170	240	500	1910	2620	o.r.
1RN7 504-6NA10-0AA0	6450	950	1005	1705	1320	315	160	240	500	1910	2180	o.r.
1RN7 504-6NA10-0AC0	6500	950	1005	1705	1320	560	170	240	500	1910	2620	o.r.
1RN7 504-6NA10-0CA0	6700	950	1005	1705	1320	315	160	240	500	1910	2180	o.r.
1RN7 504-6NA10-0CC0	6750	950	1005	1705	1320	560	170	240	500	1910	2620	o.r.
1RN7 507-6NA10-0AA0	7100	950	1005	1705	1500	315	160	240	500	1910	2390	o.r.
1RN7 507-6NA10-0AC0	7150	950	1005	1705	1500	560	170	240	500	1910	2830	o.r.
1RN7 507-6NA10-0CA0	7350	950	1005	1705	1500	315	160	240	500	1910	2390	o.r.
1RN7 507-6NA10-0CC0	7400	950	1005	1705	1500	560	170	240	500	1910	2830	o.r.
1RN7 508-6NA10-0CA0	7700	950	1005	1705	1500	315	160	240	500	1910	2390	o.r.
1RN7 508-6NA10-0CC0	7750	950	1005	1705	1500	560	170	240	500	1910	2830	o.r.
1RN7 508-6NA10-0AA0	7400	950	1005	1705	1500	315	160	240	500	1910	2390	o.r.
1RN7 508-6NA10-0AC0	7500	950	1005	1705	1500	560	170	240	500	1910	2830	o.r.
1RN7 562-6NA10-0CA0	8400	1060	1290	2060	1400	335	190	280	560	2110	2390	o.r.
1RN7 562-6NA10-0CC0	8450	1060	1290	2060	1400	600	190	280	560	2110	2850	o.r.



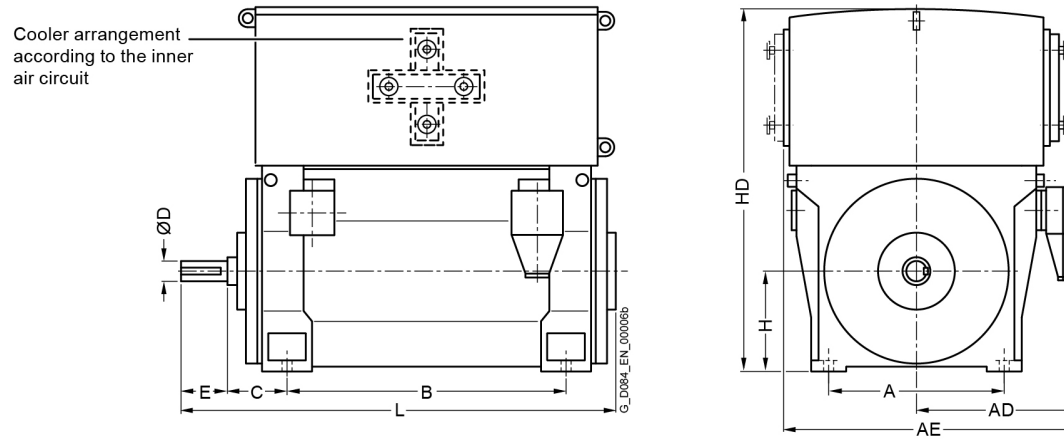
Motor type	Weight kg	Dimensions												
		A mm	AD mm	AE mm	B mm	C mm	D mm	E mm	H mm	HD mm	L mm	ML mm		
Innomotics HV M - 1RN. IC81W 6600 V / 60 Hz B3 (IM 1001) - Dimension drawings														
1RN7 562-6NA10-0HA0	8350	1060	1290	2060	1400	335	190	280	560	2110	2390	o.r.		
1RN7 562-6NA10-0HC0	8400	1060	1290	2060	1400	600	190	280	560	2110	2850	o.r.		
1RN7 567-6NA10-0CA0	9850	1060	1290	2060	1600	335	190	280	560	2110	2620	o.r.		
1RN7 567-6NA10-0CC0	9900	1060	1290	2060	1600	600	190	280	560	2110	3080	o.r.		
1RN7 568-6NA10-0CA0	10500	1060	1290	2060	1600	335	190	280	560	2110	2620	o.r.		
1RN7 568-6NA10-0CC0	10550	1060	1290	2060	1600	600	190	280	560	2110	3080	o.r.		
1RN8 632-6NA10-0CG0	10450	1320	1520	2520	1600	375	200	280	630	2250	2610	o.r.		
1RN8 632-6NA10-0CJ0	10550	1320	1520	2520	1600	630	200	280	630	2250	3090	o.r.		
1RN8 633-6NA10-0CG0	10950	1320	1520	2520	1600	375	200	280	630	2250	2610	o.r.		
1RN8 633-6NA10-0CJ0	11050	1320	1520	2520	1600	630	200	280	630	2250	3090	o.r.		
1RN8 634-6NA10-0CG0	11450	1320	1520	2520	1600	375	200	280	630	2250	2610	o.r.		
1RN8 634-6NA10-0CJ0	11550	1320	1520	2520	1600	630	200	280	630	2250	3090	o.r.		
1RN8 637-6NA10-0CG0	12250	1320	1520	2520	1800	375	200	280	630	2250	2810	o.r.		
1RN8 637-6NA10-0CJ0	12350	1320	1520	2520	1800	630	200	280	630	2250	3290	o.r.		
1RN8 638-6NA10-0CG0	12750	1320	1520	2520	1800	375	200	280	630	2250	2810	o.r.		
1RN8 638-6NA10-0CJ0	12850	1320	1520	2520	1800	630	200	280	630	2250	3290	o.r.		
1RN8 712-6NA10-0CG0	14200	1500	1620	2720	2000	375	220	280	710	2550	3010	o.r.		
1RN8 712-6NA10-0CJ0	14300	1500	1620	2720	2000	630	220	280	710	2550	3480	o.r.		
1RN8 713-6NA10-0CG0	15100	1500	1620	2720	2000	375	220	280	710	2550	3010	o.r.		
1RN8 713-6NA10-0CJ0	15250	1500	1620	2720	2000	630	220	280	710	2550	3480	o.r.		
1RN8 714-6NA10-0CG0	16100	1500	1620	2720	2000	375	220	280	710	2550	3010	o.r.		
1RN8 714-6NA10-0CJ0	16250	1500	1620	2720	2000	630	220	280	710	2550	3480	o.r.		
1RN8 717-6NA10-0CG0	17600	1500	1620	2720	2240	375	220	280	710	2460	3250	o.r.		



Motor type	Weight	Dimensions										
		A	AD	AE	B	C	D	E	H	HD	L	ML
	kg	mm	mm	mm	mm	mm	mm	mm	mm	mm	mm	mm
Innomotics HV M - 1RN. IC81W 6600 V / 60 Hz B3 (IM 1001) - Dimension drawings												
1RN7 717-6NA10-0CJ0	17750	1500	1620	2720	2240	630	220	280	710	2460	3720	o.r.
1RN8 718-6NA10-0CG0	18550	1500	1620	2720	2240	375	220	280	710	2460	3250	o.r.
1RN8 718-6NA10-0CJ0	18700	1500	1620	2720	2240	630	220	280	710	2460	3720	o.r.
8-pole												
1RN7 452-8NA10-0AA0	4300	850	925	1545	1180	250	130	200	450	1740	1920	o.r.
1RN7 452-8NA10-0AC0	4300	850	925	1545	1180	500	130	200	450	1740	2390	o.r.
1RN7 452-8NA10-0CA0	4450	850	925	1545	1180	250	130	200	450	1740	1920	o.r.
1RN7 452-8NA10-0CC0	4450	850	925	1545	1180	500	130	200	450	1740	2390	o.r.
1RN7 453-8NA10-0AA0	4450	850	925	1545	1180	250	130	200	450	1740	1920	o.r.
1RN7 453-8NA10-0AC0	4500	850	925	1545	1180	500	130	200	450	1740	2390	o.r.
1RN7 453-8NA10-0CA0	4650	850	925	1545	1180	250	130	200	450	1740	1920	o.r.
1RN7 453-8NA10-0CC0	4650	850	925	1545	1180	500	130	200	450	1740	2390	o.r.
1RN7 454-8NA10-0AA0	4650	850	925	1545	1180	250	130	200	450	1740	1920	o.r.
1RN7 454-8NA10-0AC0	4700	850	925	1545	1180	500	130	200	450	1740	2390	o.r.
1RN7 454-8NA10-0CA0	4850	850	925	1545	1180	250	130	200	450	1740	1920	o.r.
1RN7 454-8NA10-0CC0	4850	850	925	1545	1180	500	130	200	450	1740	2390	o.r.
1RN7 457-8NA10-0AA0	5200	850	925	1545	1400	250	130	200	450	1740	2130	o.r.
1RN7 457-8NA10-0AC0	5200	850	925	1545	1400	500	130	200	450	1740	2600	o.r.
1RN7 457-8NA10-0CA0	5350	850	925	1545	1400	250	130	200	450	1740	2130	o.r.
1RN7 457-8NA10-0CC0	5400	850	925	1545	1400	500	130	200	450	1740	2600	o.r.
1RN7 458-8NA10-0AA0	5450	850	925	1545	1400	250	130	200	450	1740	2130	o.r.
1RN7 458-8NA10-0AC0	5500	850	925	1545	1400	500	130	200	450	1740	2600	o.r.
1RN7 458-8NA10-0CA0	5650	850	925	1545	1400	250	130	200	450	1740	2130	o.r.



Motor type	Weight kg	Dimensions										
		A mm	AD mm	AE mm	B mm	C mm	D mm	E mm	H mm	HD mm	L mm	ML mm
Innomotics HV M - 1RN. IC81W 6600 V / 60 Hz B3 (IM 1001) - Dimension drawings												
1RN7 458-8NA10-OCC0	5700	850	925	1545	1400	500	130	200	450	1740	2600	o.r.
1RN7 502-8NA10-OCA0	6050	950	1005	1705	1320	315	160	240	500	1910	2180	o.r.
1RN7 502-8NA10-OCC0	6100	950	1005	1705	1320	560	170	240	500	1910	2620	o.r.
1RN7 503-8NA10-OAA0	6200	950	1005	1705	1320	315	160	240	500	1910	2180	o.r.
1RN7 503-8NA10-OAC0	6250	950	1005	1705	1320	560	170	240	500	1910	2620	o.r.
1RN7 503-8NA10-OCA0	6400	950	1005	1705	1320	315	160	240	500	1910	2180	o.r.
1RN7 503-8NA10-OCC0	6450	950	1005	1705	1320	560	170	240	500	1910	2620	o.r.
1RN7 504-8NA10-OAA0	6500	950	1005	1705	1320	315	160	240	500	1910	2180	o.r.
1RN7 504-8NA10-OAC0	6550	950	1005	1705	1320	560	170	240	500	1910	2620	o.r.
1RN7 504-8NA10-OCA0	6700	950	1005	1705	1320	315	160	240	500	1910	2180	o.r.
1RN7 504-8NA10-OCC0	6750	950	1005	1705	1320	560	170	240	500	1910	2620	o.r.
1RN7 507-8NA10-OAA0	7100	950	1005	1705	1500	315	160	240	500	1910	2390	o.r.
1RN7 507-8NA10-OAC0	7200	950	1005	1705	1500	560	170	240	500	1910	2830	o.r.
1RN7 507-8NA10-OCA0	7400	950	1005	1705	1500	315	160	240	500	1910	2390	o.r.
1RN7 507-8NA10-OCC0	7450	950	1005	1705	1500	560	170	240	500	1910	2830	o.r.
1RN7 508-8NA10-OAA0	7450	950	1005	1705	1500	315	160	240	500	1910	2390	o.r.
1RN7 508-8NA10-OAC0	7500	950	1005	1705	1500	560	170	240	500	1910	2830	o.r.
1RN7 508-8NA10-OCA0	7700	950	1005	1705	1500	315	160	240	500	1910	2390	o.r.
1RN7 508-8NA10-OCC0	7750	950	1005	1705	1500	560	170	240	500	1910	2830	o.r.
1RN7 563-8NA10-OCA0	8400	1060	1075	1845	1400	335	190	280	560	2110	2390	o.r.
1RN7 563-8NA10-OCC0	8450	1060	1075	1845	1400	600	190	280	560	2110	2850	o.r.
1RN7 564-8NA10-OCA0	8850	1060	1075	1845	1400	335	190	280	560	2110	2390	o.r.
1RN7 564-8NA10-OCC0	8950	1060	1075	1845	1400	600	190	280	560	2110	2850	o.r.



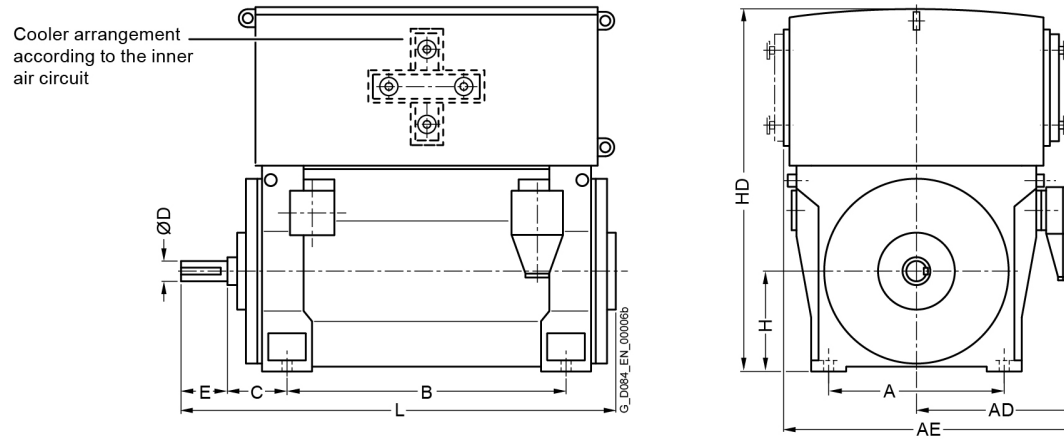
Motor type	Weight kg	Dimensions										
		A mm	AD mm	AE mm	B mm	C mm	D mm	E mm	H mm	HD mm	L mm	ML mm
Innomotics HV M - 1RN. IC81W 6600 V / 60 Hz B3 (IM 1001) - Dimension drawings												
1RN7 567-8NA10-0CA0	9750	1060	1075	1845	1600	335	190	280	560	2110	2620	o.r.
1RN7 567-8NA10-0CC0	9800	1060	1075	1845	1600	600	190	280	560	2110	3080	o.r.
1RN7 568-8NA10-0CA0	10250	1060	1075	1845	1600	335	190	280	560	2110	2620	o.r.
1RN7 568-8NA10-0CC0	10300	1060	1075	1845	1600	600	190	280	560	2110	3080	o.r.
1RN8 633-8NA10-0CG0	9800	1320	1520	2520	1600	375	200	280	630	2380	2610	o.r.
1RN8 633-8NA10-0CJ0	9900	1320	1520	2520	1600	630	200	280	630	2380	3090	o.r.
1RN8 634-8NA10-0CG0	10550	1320	1520	2520	1600	375	200	280	630	2380	2610	o.r.
1RN8 634-8NA10-0CJ0	10650	1320	1520	2520	1600	630	200	280	630	2380	3090	o.r.
1RN8 637-8NA10-0CG0	11750	1320	1520	2520	1800	375	200	280	630	2380	2810	o.r.
1RN8 637-8NA10-0CJ0	11850	1320	1520	2520	1800	630	200	280	630	2380	3290	o.r.
1RN8 638-8NA10-0CG0	12450	1320	1520	2520	1800	375	200	280	630	2380	2810	o.r.
1RN8 638-8NA10-0CJ0	12550	1320	1520	2520	1800	630	200	280	630	2380	3290	o.r.
1RN8 712-8NA10-0CG0	13650	1500	1620	2720	2000	375	220	280	710	2550	3010	o.r.
1RN8 712-8NA10-0CJ0	13800	1500	1620	2720	2000	630	220	280	710	2550	3480	o.r.
1RN8 713-8NA10-0CG0	14500	1500	1620	2720	2000	375	220	280	710	2550	3010	o.r.
1RN8 713-8NA10-0CJ0	14650	1500	1620	2720	2000	630	220	280	710	2550	3480	o.r.
1RN8 714-8NA10-0CG0	15650	1500	1620	2720	2000	375	220	280	710	2550	3010	o.r.
1RN8 714-8NA10-0CJ0	15850	1500	1620	2720	2000	630	220	280	710	2550	3480	o.r.
1RN8 717-8NA10-0CG0	17300	1500	1620	2720	2240	375	220	280	710	2460	3250	o.r.
1RN8 717-8NA10-0CJ0	17500	1500	1620	2720	2240	630	220	280	710	2460	3720	o.r.
1RN8 718-8NA10-0CG0	18350	1500	1620	2720	2240	375	220	280	710	2460	3250	o.r.
1RN8 718-8NA10-0CJ0	18550	1500	1620	2720	2240	630	220	280	710	2460	3720	o.r.

Innomotics HV M - 1RN. IC81W 10000 V / 50 Hz B3 (IM 1001)																			
Rated power IEC	Article No.	Speed	Rated current		Efficiency				Power factor				Torque	Breakdown torque	Locked rotor torque	Locked rotor current	Inertia		
			I_R		5/4 load	4/4 load	3/4 load	2/4 load	5/4 load	4/4 load	3/4 load	2/4 load					T_R	T_B/ T_R	T_{LR}/ T_R
kW		rpm	A		%	%	%	%	cos φ	cos φ	cos φ	cos φ	Nm	[-]	[-]	[-]	kgm ²	kgm ²	[-]
2-pole: n_{sync} = 3000 rpm at 50 Hz																			
1500	1RN7 453-2NA80-0A.2	2976	102		95.1	96.0	96.3	96.2	0.87	0.89	0.89	0.85	4814	2.20	0.50	5.0	10	60	o.r.
1530	1RN7 453-2NA80-0C.0	2976	102		95.1	95.9	96.4	96.3	0.87	0.90	0.89	0.87	4910	2.10	0.55	4.7	14	80	o.r.
1680	1RN7 454-2NA80-0A.2	2977	114		95.5	96.1	96.4	96.1	0.88	0.89	0.88	0.83	5391	2.25	0.50	5.2	11	60	o.r.
1720	1RN7 454-2NA80-0C.2	2977	114		95.5	96.1	96.4	96.2	0.88	0.90	0.89	0.86	5519	2.15	0.55	5.0	15	100	o.r.
1870	1RN7 457-2NA80-0A.2	2977	126		95.5	96.2	96.6	96.4	0.87	0.89	0.89	0.85	6000	2.25	0.55	5.3	12	70	o.r.
1910	1RN7 457-2NA80-0C.2	2977	128		95.5	96.2	96.6	96.4	0.88	0.90	0.90	0.87	6133	2.15	0.55	5.0	16	120	o.r.
2050	1RN7 458-2NA80-0A.2	2978	136		95.8	96.4	96.7	96.5	0.88	0.90	0.90	0.86	6580	2.35	0.55	5.4	13	75	o.r.
2100	1RN7 458-2NA80-0C.2	2978	140		95.8	96.4	96.8	96.6	0.89	0.90	0.90	0.88	6739	2.30	0.55	5.0	18	135	o.r.
2240	1RN7 503-2NA80-0A.0	2965	150		95.5	96.3	96.8	97.0	0.87	0.89	0.89	0.87	7221	2.10	0.50	4.1	15	58	o.r.
2240	1RN7 503-2NA80-0C.0	2973	150		95.8	96.4	97.0	97.1	0.87	0.89	0.90	0.88	7198	2.05	0.55	4.0	20	154	o.r.
2450	1RN7 504-2NA80-0A.0	2968	166		95.7	96.3	96.8	96.9	0.88	0.89	0.89	0.86	7886	2.30	0.55	4.5	15	62	o.r.
2550	1RN7 504-2NA80-0C.2	2973	172		95.8	96.5	96.9	96.9	0.88	0.89	0.90	0.87	8198	2.15	0.60	4.2	21	138	o.r.
2670	1RN7 507-2NA80-0A.2	2973	178		96.0	96.6	96.9	96.9	0.89	0.90	0.90	0.86	8580	2.50	0.50	5.0	18	82	o.r.
2800	1RN7 507-2NA80-0C.2	2977	186		96.2	96.7	97.0	97.0	0.89	0.90	0.90	0.87	8989	2.35	0.55	4.7	24	158	o.r.
3000	1RN7 508-2NA80-0A.2	2974	198		96.3	96.8	97.1	97.1	0.90	0.90	0.90	0.86	9635	2.60	0.55	5.3	20	94	o.r.
3150	1RN7 508-2NA80-0C.2	2978	205		96.4	96.9	97.2	97.2	0.90	0.91	0.91	0.87	10106	2.40	0.55	4.9	27	168	o.r.
3800	1RN7 562-2NA80-0CC2	2981	250		96.4	96.6	96.8	96.5	0.90	0.90	0.90	0.86	12181	2.30	0.60	5.2	41	210	o.r.
4150	1RN7 563-2NA80-0CC2	2980	275		96.4	96.7	97.0	96.8	0.88	0.90	0.90	0.87	13304	2.05	0.50	4.6	44	245	o.r.
4750	1RN7 564-2NA80-0CC2	2982	310		96.6	96.8	97.0	96.7	0.90	0.91	0.90	0.87	15222	2.30	0.60	5.3	47	250	o.r.
5150	1RN7 567-2NA80-0CC2	2982	335		96.8	97.0	97.2	97.0	0.90	0.91	0.91	0.88	16506	2.30	0.60	5.2	52	285	o.r.
5700	1RN7 568-2NA80-0CC2	2984	370		97.0	97.2	97.3	97.0	0.92	0.92	0.91	0.88	18252	2.50	0.60	5.8	58	315	o.r.
6000	1RN8 632-2NA80-0CJ0	2980	405		96.4	96.9	96.9	96.4	0.85	0.88	0.88	0.87	19227	1.90	0.50	4.5	75	250	o.r.
6750	1RN8 633-2NA80-0CJ0	2980	455		96.5	97.1	97.1	96.7	0.85	0.88	0.89	0.88	21630	1.90	0.50	4.5	82	240	o.r.
7550	1RN8 634-2NA80-0CJ0	2980	510		96.6	97.1	97.2	96.8	0.85	0.88	0.89	0.89	24194	1.90	0.50	4.5	90	230	o.r.
8050	1RN8 637-2NA80-0CJ0	2983	530		96.9	97.3	97.2	96.9	0.89	0.90	0.91	0.90	25770	2.25	0.55	5.3	99	260	o.r.
8850	1RN8 638-2NA80-0CJ0	2983	580		97.0	97.4	97.4	97.1	0.89	0.91	0.91	0.91	28331	2.25	0.55	5.3	108	260	o.r.
9050	1RN8 712-2NA80-0CJ0	2983	610		96.5	96.9	96.9	96.5	0.83	0.88	0.89	0.89	28971	1.75	0.40	4.0	149	210	o.r.
10250	1RN8 713-2NA80-0CJ0	2984	680		96.8	97.2	97.1	96.7	0.86	0.90	0.90	0.89	32802	1.90	0.50	4.4	160	190	o.r.
11500	1RN8 714-2NA80-0CJ0	2984	760		97.0	97.3	97.3	96.8	0.86	0.90	0.90	0.89	36802	1.90	0.50	4.4	173	170	o.r.
12000	1RN8 716-2NA80-0CJ0	2986	780		97.1	97.3	97.3	96.8	0.88	0.91	0.91	0.90	38376	2.10	0.45	4.8	186	200	o.r.
13600	1RN8 717-2NA80-0CJ0	2986	880		97.2	97.5	97.4	97.0	0.89	0.91	0.91	0.90	43493	2.15	0.60	5.1	202	160	o.r.
14800	1RN8 718-2NA80-0CJ0	2987	950		97.4	97.6	97.6	97.1	0.90	0.92	0.92	0.90	47315	2.35	0.65	5.6	219	160	o.r.
4-pole: n_{sync} = 1500 rpm at 50 Hz																			
1420	1RN7 453-4NA80-0A.0	1482	97		94.8	95.7	96.1	96.2	0.87	0.88	0.87	0.81	9155	2.35	0.65	5.3	17	290	o.r.
1470	1RN7 453-4NA80-0C.0	1485	100		95.0	95.9	96.3	96.5	0.87	0.88	0.87	0.83	9460	2.10	0.50	4.8	23	325	o.r.
1560	1RN7 454-4NA80-0A.0	1482	106		95.0	95.8	96.3	96.4	0.88	0.89	0.87	0.83	10058	2.40	0.65	5.4	19	320	o.r.

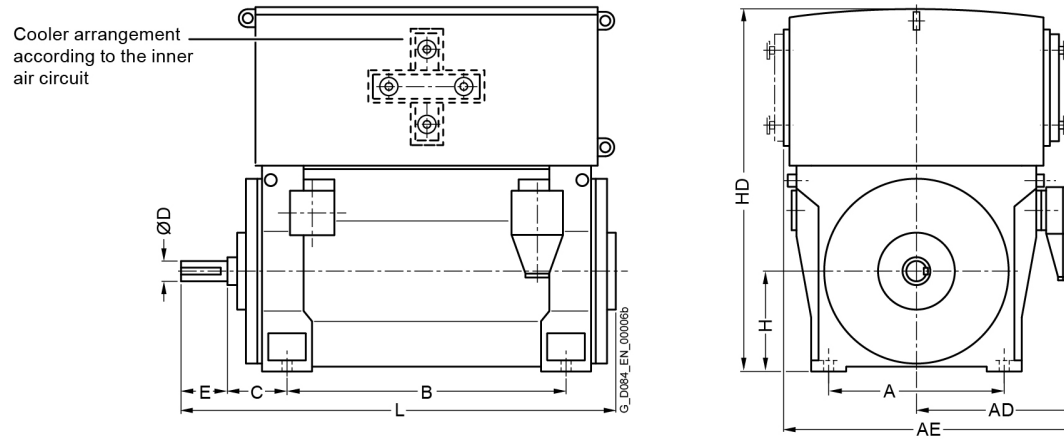
Innomotics HV M - 1RN. IC81W 10000 V / 50 Hz B3 (IM 1001)																		
Rated power IEC	Article No.	Speed	Rated current I_R	Efficiency				Power factor				Torque T_R	Breakdown torque T_B/ T_R	Locked rotor torque T_{LR}/ T_R	Locked rotor current I_{LR}/ I_R	Inertia		
				5/4 load	4/4 load	3/4 load	2/4 load	5/4 load	4/4 load	3/4 load	2/4 load					motor	external	Startup max T/TR
kW		rpm	A	%	%	%	%	cos φ	cos φ	cos φ	cos φ	Nm	[-]	[-]	[-]	kgm ²	kgm ²	[-]
1600	1RN7 454-4NA80-0C.2	1486	108	95.3	96.2	96.5	96.6	0.87	0.89	0.88	0.84	10292	2.20	0.50	5.0	26	405	o.r.
1900	1RN7 457-4NA80-0C.2	1487	128	95.7	96.4	96.7	96.7	0.88	0.89	0.88	0.83	12205	2.40	0.55	5.2	30	525	o.r.
1820	1RN7 457-4NA80-0A.0	1483	122	95.4	96.2	96.5	96.7	0.89	0.89	0.88	0.83	11724	2.45	0.70	5.8	22	390	o.r.
1970	1RN7 458-4NA80-0A.2	1485	132	95.7	96.3	96.6	96.6	0.89	0.89	0.87	0.81	12678	2.75	0.80	6.0	24	455	o.r.
2060	1RN7 458-4NA80-0C.2	1488	138	95.9	96.5	96.8	96.8	0.89	0.89	0.88	0.83	13230	2.50	0.60	5.3	33	620	o.r.
2220	1RN7 503-4NA80-0A.2	1486	150	95.8	96.5	97.0	97.1	0.88	0.89	0.88	0.85	14275	2.25	0.80	5.0	37	625	o.r.
2240	1RN7 503-4NA80-0C.0	1487	148	95.8	96.5	97.0	97.0	0.88	0.90	0.89	0.86	14402	2.20	0.60	4.6	45	645	o.r.
2500	1RN7 504-4NA80-0C.2	1488	168	96.0	96.6	97.1	97.0	0.88	0.89	0.88	0.85	16064	2.20	0.55	4.6	50	630	o.r.
2450	1RN7 504-4NA80-0A.2	1486	164	95.8	96.6	97.1	97.2	0.87	0.89	0.89	0.86	15757	2.25	0.75	5.0	40	675	o.r.
2870	1RN7 507-4NA80-0C.2	1489	192	96.3	96.8	97.1	97.0	0.88	0.89	0.87	0.82	18423	2.35	0.55	4.8	56	875	o.r.
2610	1RN7 507-4NA80-0A.2	1486	174	95.9	96.6	97.1	97.2	0.89	0.90	0.90	0.87	16784	2.30	0.85	5.2	46	755	o.r.
3150	1RN7 508-4NA80-0C.2	1490	210	96.5	97.0	97.3	97.1	0.89	0.90	0.88	0.84	20209	2.60	0.70	5.4	62	905	o.r.
2950	1RN7 508-4NA80-0A.2	1486	196	96.1	96.8	97.2	97.3	0.88	0.90	0.90	0.87	18968	2.35	0.85	5.3	50	815	o.r.
3550	1RN7 563-4NA80-0C.2	1489	238	96.3	96.9	97.3	97.3	0.87	0.89	0.88	0.85	22783	2.05	0.65	5.0	80	725	o.r.
4150	1RN7 564-4NA80-0C.2	1490	278	96.6	97.0	97.4	97.3	0.87	0.89	0.87	0.84	26609	2.20	0.60	5.3	90	835	o.r.
4700	1RN7 566-4NA80-0C.2	1490	314	96.8	97.2	97.5	97.4	0.88	0.89	0.88	0.84	30131	2.25	0.60	5.4	100	885	o.r.
5100	1RN7 567-4NA80-0C.2	1491	340	96.8	97.2	97.6	97.5	0.89	0.89	0.89	0.86	32693	2.30	0.70	5.5	110	935	o.r.
5600	1RN7 568-4NA80-0C.2	1490	369	96.9	97.3	97.7	97.7	0.89	0.90	0.90	0.87	35911	2.20	0.65	5.3	119	940	o.r.
6000	1RN8 633-4NA80-0C.0	1490	400	96.7	97.2	97.4	97.3	0.87	0.89	0.88	0.84	38454	2.10	0.50	5.0	151	710	o.r.
6800	1RN8 634-4NA80-0C.0	1490	455	96.8	97.3	97.6	97.5	0.87	0.89	0.89	0.86	43581	2.10	0.50	5.0	166	740	o.r.
7700	1RN8 637-4NA80-0C.0	1490	510	97.0	97.4	97.6	97.5	0.87	0.89	0.88	0.85	49349	2.15	0.50	5.2	182	770	o.r.
8550	1RN8 638-4NA80-0C.0	1490	570	97.1	97.5	97.7	97.6	0.88	0.89	0.89	0.85	54796	2.25	0.55	5.5	198	810	o.r.
8900	1RN8 712-4NA80-0C.0	1491	590	97.0	97.5	97.7	97.5	0.87	0.89	0.89	0.86	57001	2.20	0.45	5.2	259	800	o.r.
9850	1RN8 713-4NA80-0C.0	1491	660	97.1	97.5	97.7	97.6	0.87	0.89	0.89	0.86	63086	2.20	0.45	5.2	284	840	o.r.
10500	1RN8 714-4NA80-0C.0	1492	690	97.2	97.6	97.8	97.7	0.89	0.90	0.90	0.87	67203	2.45	0.55	2.9	312	970	o.r.
11600	1RN8 717-4NA80-0C.0	1492	750	97.3	97.7	97.9	97.7	0.90	0.91	0.90	0.87	74244	2.55	0.60	6.0	346	1070	o.r.
12500	1RN8 718-4NA80-0C.2	1492	810	97.4	97.7	97.9	97.7	0.90	0.91	0.90	0.86	80004	2.60	0.60	6.0	365	1080	o.r.
6-pole: n_{sync} = 1000 rpm at 50 Hz																		
1000	1RN7 452-6NA80-0A.0	990	72	94.3	95.2	95.6	95.6	0.83	0.84	0.80	0.70	9655	2.35	0.70	5.2	20	495	o.r.
1020	1RN7 452-6NA80-0C.0	989	73	94.2	95.1	95.6	95.8	0.84	0.85	0.82	0.74	9850	2.30	0.60	4.9	27	645	o.r.
1120	1RN7 453-6NA80-0A.0	990	81	94.4	95.3	95.7	95.8	0.84	0.84	0.80	0.71	10816	2.30	0.70	5.1	22	535	o.r.
1150	1RN7 453-6NA80-0C.0	989	82	94.3	95.2	95.8	95.9	0.84	0.85	0.83	0.75	11108	2.25	0.60	4.8	30	680	o.r.
1250	1RN7 454-6NA80-0A.0	990	89	94.6	95.4	95.9	96.0	0.84	0.85	0.81	0.72	12073	2.35	0.70	5.2	24	595	o.r.
1270	1RN7 454-6NA80-0C.0	989	90	94.5	95.4	95.9	96.1	0.84	0.85	0.83	0.76	12264	2.30	0.60	4.9	33	770	o.r.
1360	1RN7 457-6NA80-0A.0	990	97	94.8	95.6	96.0	96.1	0.85	0.85	0.82	0.73	13128	2.40	0.80	5.3	28	655	o.r.
1400	1RN7 457-6NA80-0C.0	990	98	94.7	95.6	96.1	96.2	0.85	0.86	0.84	0.76	13520	2.30	0.65	5.0	36	840	o.r.
1480	1RN7 458-6NA80-0A.0	991	104	95.1	95.8	96.2	96.2	0.85	0.86	0.82	0.73	14277	2.50	0.80	5.5	31	785	o.r.

Innomotics HV M - 1RN. IC81W 10000 V / 50 Hz B3 (IM 1001)																			
Rated power IEC	Article No.	Speed	Rated current		Efficiency				Power factor				Torque	Breakdown torque	Locked rotor torque	Locked rotor current	Inertia		
			I_R	I_{LR}	5/4 load	4/4 load	3/4 load	2/4 load	5/4 load	4/4 load	3/4 load	2/4 load					T_R	T_B/ T_R	T_{LR}/ T_R
kW		rpm	A		%	%	%	%	cos φ	cos φ	cos φ	cos φ	Nm	[-]	[-]	[-]	kgm ²	kgm ²	[-]
1520	1RN7 458-6NA80-0C.0	990	106		95.0	95.8	96.2	96.3	0.86	0.86	0.84	0.77	14669	2.45	0.65	5.1	41	950	o.r.
1670	1RN7 502-6NA80-0C.2	992	112		95.4	96.2	96.6	96.7	0.84	0.86	0.84	0.78	16101	2.15	0.65	4.4	54	1290	o.r.
1600	1RN7 502-6NA80-0A.0	991	112		95.1	96.0	96.5	96.6	0.85	0.86	0.85	0.78	15434	2.15	0.85	4.6	42	800	o.r.
1950	1RN7 503-6NA80-0C.2	992	126		95.7	96.3	96.7	96.7	0.85	0.86	0.83	0.75	18785	2.30	0.80	4.7	60	1240	o.r.
1800	1RN7 503-6NA80-0A.0	991	126		95.3	96.1	96.6	96.7	0.85	0.86	0.85	0.78	17362	2.15	0.90	4.7	46	840	o.r.
2130	1RN7 504-6NA80-0C.2	992	138		95.9	96.5	96.8	96.8	0.85	0.86	0.82	0.74	20512	2.40	0.80	4.8	66	1640	o.r.
1970	1RN7 504-6NA80-0A.2	991	138		95.5	96.2	96.7	96.7	0.86	0.86	0.84	0.76	19002	2.30	1.00	5.0	51	980	o.r.
2300	1RN7 507-6NA80-0C.2	992	156		96.0	96.6	96.9	96.8	0.86	0.86	0.83	0.75	22136	2.45	0.80	5.0	74	1580	o.r.
2220	1RN7 507-6NA80-0A.2	991	138		95.7	96.4	96.9	97.0	0.86	0.86	0.85	0.79	21411	2.25	0.90	4.9	58	1360	o.r.
2370	1RN7 508-6NA80-0A.2	991	156		96.0	96.5	96.9	97.0	0.86	0.86	0.84	0.76	22847	2.45	0.95	5.4	63	1800	o.r.
2500	1RN7 508-6NA80-0C.2	992	174		96.2	96.7	97.0	97.0	0.86	0.86	0.84	0.77	24060	2.45	0.85	5.1	81	1990	o.r.
3000	1RN7 562-6NA80-0C.2	992	210		95.9	96.5	96.7	96.7	0.85	0.86	0.84	0.80	28896	2.00	0.60	5.2	105	1935	o.r.
3250	1RN7 563-6NA80-0C.2	992	225		96.0	96.5	96.8	96.8	0.85	0.86	0.84	0.80	31301	2.00	0.60	5.2	113	1970	o.r.
3550	1RN7 564-6NA80-0C.2	992	245		96.1	96.7	96.9	96.9	0.85	0.86	0.85	0.80	34188	2.00	0.60	5.5	124	1965	o.r.
3900	1RN7 567-6NA80-0C.2	993	270		96.3	96.7	97.0	97.0	0.85	0.86	0.85	0.81	37545	2.00	0.60	5.2	137	2350	o.r.
4200	1RN7 568-6NA80-0C.2	993	290		96.5	96.9	97.1	97.1	0.86	0.86	0.85	0.81	40414	2.00	0.60	5.5	151	3125	o.r.
4700	1RN8 632-6NA80-0C.0	991	325		96.3	96.9	97.1	97.0	0.84	0.86	0.83	0.76	45289	2.15	0.55	4.9	193	2130	o.r.
5000	1RN8 633-6NA80-0C.2	991	345		96.3	96.9	97.2	97.2	0.84	0.86	0.84	0.79	48180	2.05	0.50	4.7	209	2320	o.r.
5400	1RN8 634-6NA80-0C.0	992	370		96.4	97.0	97.3	97.2	0.84	0.87	0.85	0.80	51982	2.05	0.50	4.7	227	2580	o.r.
5850	1RN8 637-6NA80-0C.0	992	400		96.5	97.1	97.4	97.3	0.85	0.87	0.85	0.80	56314	2.10	0.50	4.7	247	2860	o.r.
6400	1RN8 638-6NA80-0C.0	992	435		96.7	97.2	97.4	97.2	0.86	0.87	0.84	0.78	61608	2.25	0.60	5.1	265	3100	o.r.
6800	1RN8 712-6NA80-0C.0	993	465		96.8	97.3	97.6	97.5	0.85	0.87	0.85	0.80	65393	2.15	0.50	5.1	331	2590	o.r.
7550	1RN8 713-6NA80-0C.0	994	510		97.0	97.5	97.7	97.5	0.86	0.87	0.85	0.79	72532	2.30	0.60	5.4	374	2990	o.r.
8750	1RN8 714-6NA80-0C.0	994	600		97.1	97.5	97.7	97.6	0.85	0.87	0.85	0.79	84061	2.25	0.50	5.4	423	3310	o.r.
9500	1RN8 717-6NA80-0C.0	994	640		97.2	97.6	97.8	97.7	0.87	0.88	0.87	0.81	91266	2.30	0.60	5.5	478	3770	o.r.
10500	1RN8 718-6NA80-0C.0	994	720		97.3	97.7	97.8	97.6	0.86	0.86	0.83	0.76	100873	2.35	0.50	5.5	520	4500	o.r.
8-pole: n _{sync} = 750 rpm at 50 Hz																			
670	1RN7 451-8NA80-0A.0	741	51		93.5	94.6	95.0	95.0	0.80	0.80	0.73	0.61	8632	2.05	0.70	5.0	23	580	o.r.
680	1RN7 451-8NA80-0C.0	741	51		93.6	94.6	95.0	95.1	0.82	0.81	0.75	0.63	8758	2.25	0.65	5.1	30	790	o.r.
760	1RN7 452-8NA80-0A.0	741	57		93.7	94.8	95.3	95.4	0.81	0.81	0.76	0.64	9794	2.05	0.70	5.0	25	790	o.r.
770	1RN7 452-8NA80-0C.0	741	57		93.8	94.9	95.3	95.5	0.82	0.82	0.77	0.66	9918	2.25	0.65	5.1	32	1060	o.r.
860	1RN7 453-8NA80-0A.0	741	65		94.2	95.1	95.4	95.4	0.80	0.80	0.73	0.60	11076	2.25	0.75	5.0	28	1030	o.r.
890	1RN7 453-8NA80-0C.2	742	67		94.2	95.2	95.5	95.5	0.82	0.81	0.75	0.63	11461	2.40	0.65	5.0	36	1230	o.r.
950	1RN7 454-8NA80-0A.0	741	71		94.2	95.2	95.6	95.7	0.81	0.81	0.75	0.63	12242	2.20	0.75	5.0	31	1170	o.r.
980	1RN7 454-8NA80-0C.2	742	72		94.3	95.3	95.7	95.7	0.83	0.82	0.77	0.66	12623	2.45	0.70	5.1	40	1430	o.r.
1030	1RN7 457-8NA80-0A.0	741	77		94.4	95.4	95.8	95.8	0.82	0.81	0.76	0.65	13272	2.25	0.80	5.2	35	1340	o.r.
1060	1RN7 457-8NA80-0C.0	742	77		94.5	95.4	95.8	95.8	0.83	0.83	0.78	0.67	13650	2.45	0.70	5.2	45	1680	o.r.

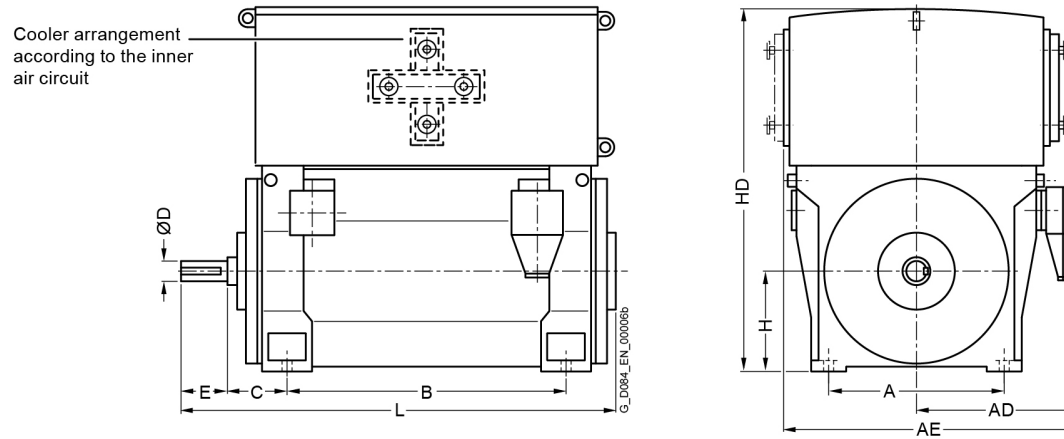
Innomotics HV M - 1RN. IC81W 10000 V / 50 Hz B3 (IM 1001)																			
Rated power IEC	Article No.	Speed	Rated current I_R	Efficiency				Power factor				Torque T_R	Breakdown torque T_B/ T_R	Locked rotor torque T_{LR}/ T_R	Locked rotor current I_{LR}/ I_R	Inertia			
				5/4 load	4/4 load	3/4 load	2/4 load	5/4 load	4/4 load	3/4 load	2/4 load					motor	external	Startup max T/TR	
kW		rpm	A	%	%	%	%	$\cos \varphi$	$\cos \varphi$	$\cos \varphi$	$\cos \varphi$	Nm	[-]	[-]	[-]	kgm ²	kgm ²	[-]	
1120	1RN7 458-8NA80-0A.2	742	84	94.6	95.6	95.8	95.8	0.82	0.81	0.76	0.64	14424	2.30	0.80	5.3	39	1440	o.r.	
1140	1RN7 458-8NA80-0C.2	742	83	94.7	95.6	95.9	95.9	0.83	0.83	0.77	0.66	14669	2.55	0.75	5.5	50	1830	o.r.	
1250	1RN7 502-8NA80-0C.2	742	91	95.1	95.9	96.3	96.5	0.81	0.83	0.80	0.73	16083	2.10	0.50	4.0	59	2570	o.r.	
1250	1RN7 502-8NA80-0A.2	742	92	94.8	95.8	96.3	96.5	0.81	0.82	0.82	0.75	16088	1.90	0.70	3.9	46	1310	o.r.	
1380	1RN7 503-8NA80-0A.2	743	102	95.2	95.9	96.4	96.5	0.82	0.82	0.80	0.73	17743	2.10	0.80	4.2	51	1920	o.r.	
1400	1RN7 503-8NA80-0C.2	742	102	95.1	95.9	96.4	96.6	0.82	0.83	0.80	0.74	18017	2.05	0.55	4.0	65	2370	o.r.	
1550	1RN7 504-8NA80-0A.2	743	112	95.3	96.1	96.5	96.6	0.82	0.83	0.80	0.73	19942	2.10	0.80	4.3	56	2870	o.r.	
1600	1RN7 504-8NA80-0C.2	742	116	95.2	96.0	96.5	96.7	0.81	0.83	0.82	0.74	20596	2.05	0.55	3.9	72	2420	o.r.	
1720	1RN7 507-8NA80-0A.2	743	126	95.6	96.2	96.6	96.6	0.82	0.82	0.80	0.72	22119	2.15	0.85	4.4	63	3460	o.r.	
1760	1RN7 507-8NA80-0C.2	743	128	95.5	96.2	96.6	96.8	0.82	0.83	0.80	0.74	22637	2.15	0.55	4.1	80	3320	o.r.	
1810	1RN7 508-8NA80-0A.2	744	134	95.8	96.3	96.5	96.4	0.82	0.81	0.77	0.67	23242	2.50	0.95	5.0	69	3350	o.r.	
1900	1RN7 508-8NA80-0C.2	743	138	95.8	96.3	96.6	96.6	0.82	0.82	0.79	0.70	24416	2.40	0.65	4.6	88	4080	o.r.	
2050	1RN7 562-8NA80-0C.2	744	148	95.4	96.1	96.4	96.2	0.82	0.83	0.80	0.73	26331	2.05	0.55	4.5	115	2835	o.r.	
2280	1RN7 563-8NA80-0C.2	744	164	95.6	96.2	96.5	96.3	0.82	0.83	0.80	0.73	29302	2.10	0.60	4.5	124	2985	o.r.	
2600	1RN7 564-8NA80-0C.2	744	188	95.8	96.4	96.7	96.5	0.82	0.83	0.80	0.74	33424	2.05	0.60	4.5	137	4255	o.r.	
2900	1RN7 567-8NA80-0C.2	744	210	96.0	96.5	96.8	96.6	0.82	0.83	0.80	0.73	37275	2.10	0.55	4.6	150	5395	o.r.	
3150	1RN7 568-8NA80-0C.2	744	225	96.1	96.6	96.9	96.6	0.83	0.83	0.81	0.74	40482	2.10	0.60	4.6	165	6300	o.r.	
3750	1RN8 634-8NA80-0C.0	743	265	95.6	96.3	96.5	96.4	0.84	0.85	0.82	0.76	48196	1.90	0.40	4.2	251	4130	o.r.	
4200	1RN8 637-8NA80-0C.0	744	290	96.0	96.5	96.6	96.3	0.85	0.86	0.81	0.73	53907	2.20	0.50	4.8	292	5610	o.r.	
4450	1RN8 638-8NA80-0C.0	744	310	96.2	96.7	96.7	96.4	0.86	0.86	0.81	0.72	57116	2.30	0.55	5.1	326	7020	o.r.	
4750	1RN8 712-8NA80-0C.0	745	310	96.3	96.7	96.8	96.5	0.86	0.86	0.81	0.72	60885	2.40	0.50	5.1	422	4890	o.r.	
5250	1RN8 713-8NA80-0C.0	745	345	96.4	96.8	96.9	96.6	0.87	0.87	0.83	0.74	67294	2.45	0.60	5.3	474	4570	o.r.	
6000	1RN8 714-8NA80-0C.0	746	390	96.6	97.0	97.0	96.6	0.86	0.86	0.81	0.72	76804	2.40	0.55	5.1	539	5540	o.r.	
6800	1RN8 717-8NA80-0C.0	746	440	96.7	97.0	97.0	96.6	0.85	0.85	0.80	0.70	87045	2.40	0.50	5.1	614	6160	o.r.	
7400	1RN8 718-8NA80-0C.0	746	495	96.8	97.1	97.0	96.6	0.86	0.85	0.80	0.69	94725	2.50	0.50	5.3	677	7320	o.r.	



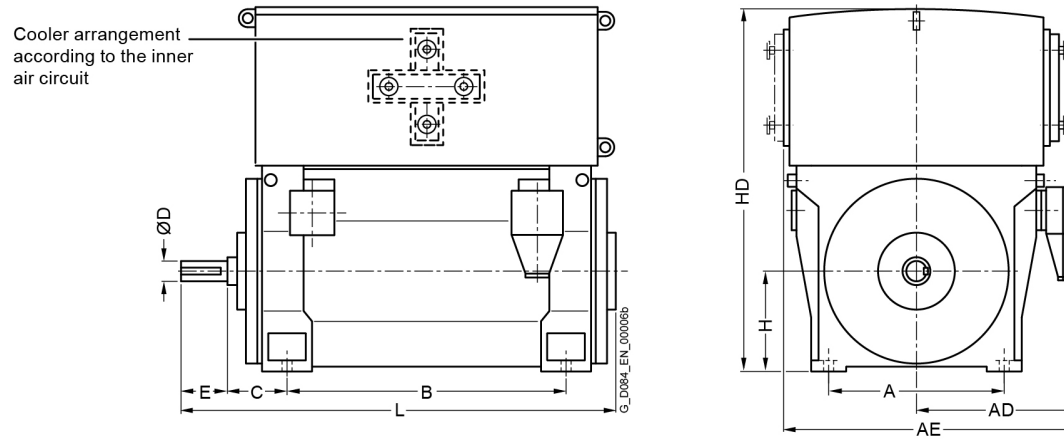
Motor type	Weight	Dimensions										
		A	AD	AE	B	C	D	E	H	HD	L	ML
	kg	mm	mm	mm	mm	mm	mm	mm	mm	mm	mm	mm
Innomotics HV M - 1RN. IC81W 10000 V / 50 Hz B3 (IM 1001) - Dimension drawings												
2-pole												
1RN7 453-2NA80-0AA2	4250	850	1140	1760	1180	250	95	130	450	1650	1840	o.r.
1RN7 453-2NA80-0AC2	4150	850	1140	1760	1180	475	95	130	450	1650	2270	o.r.
1RN7 453-2NA80-0CA0	4400	850	1140	1760	1180	250	95	130	450	1650	1840	o.r.
1RN7 453-2NA80-0CC0	4300	850	1140	1760	1180	475	95	130	450	1650	2270	o.r.
1RN7 454-2NA80-0AA2	4400	850	1140	1760	1180	250	95	130	450	1650	1840	o.r.
1RN7 454-2NA80-0AC2	4300	850	1140	1760	1180	475	95	130	450	1650	2270	o.r.
1RN7 454-2NA80-0CA2	4500	850	1140	1760	1180	250	95	130	450	1650	1840	o.r.
1RN7 454-2NA80-0CC2	4450	850	1140	1760	1180	475	95	130	450	1650	2270	o.r.
1RN7 457-2NA80-0AA2	4750	850	1140	1760	1400	250	95	130	450	1650	2050	o.r.
1RN7 457-2NA80-0AC2	4650	850	1140	1760	1400	475	95	130	450	1650	2480	o.r.
1RN7 457-2NA80-0CA2	4900	850	1140	1760	1400	250	95	130	450	1650	2050	o.r.
1RN7 457-2NA80-0CC2	4800	850	1140	1760	1400	475	95	130	450	1650	2480	o.r.
1RN7 458-2NA80-0AA2	4950	850	1140	1760	1400	250	95	130	450	1650	2050	o.r.
1RN7 458-2NA80-0AC2	4850	850	1140	1760	1400	475	95	130	450	1650	2480	o.r.
1RN7 458-2NA80-0CA2	5100	850	1140	1760	1400	250	95	130	450	1650	2050	o.r.
1RN7 458-2NA80-0CC2	5050	850	1140	1760	1400	475	95	130	450	1650	2480	o.r.
1RN7 503-2NA80-0AA0	5750	950	1220	1920	1320	250	110	165	500	1790	1960	o.r.
1RN7 503-2NA80-0AC0	5700	950	1220	1920	1320	530	120	165	500	1790	2510	o.r.
1RN7 503-2NA80-0CA0	5900	950	1220	1920	1320	250	110	165	500	1790	1960	o.r.
1RN7 503-2NA80-0CC0	5850	950	1220	1920	1320	530	120	165	500	1790	2510	o.r.
1RN7 504-2NA80-0AA0	5800	950	1220	1920	1320	250	110	165	500	1790	1960	o.r.
1RN7 504-2NA80-0AC0	5750	950	1220	1920	1320	530	120	165	500	1790	2510	o.r.



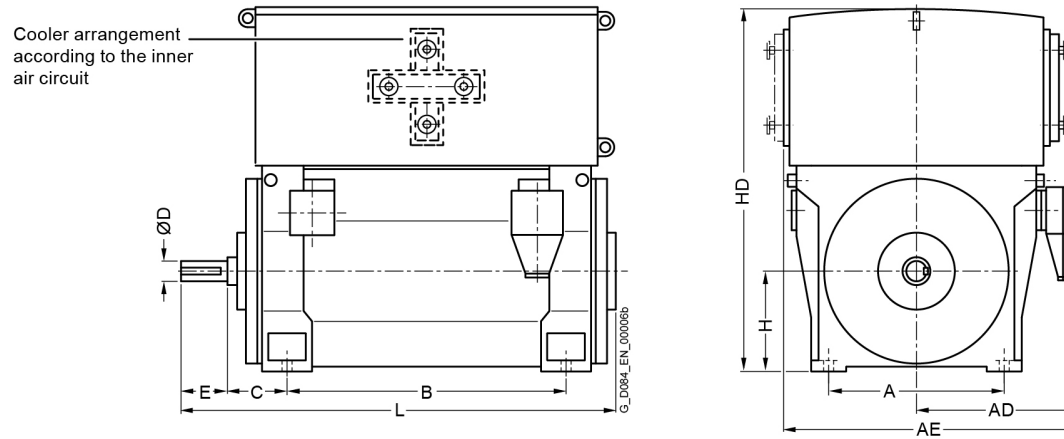
Motor type	Weight kg	Dimensions										
		A mm	AD mm	AE mm	B mm	C mm	D mm	E mm	H mm	HD mm	L mm	ML mm
Innomotics HV M - 1RN. IC81W 10000 V / 50 Hz B3 (IM 1001) - Dimension drawings												
1RN7 504-2NA80-OCA2	5950	950	1220	1920	1320	250	110	165	500	1790	1960	o.r.
1RN7 504-2NA80-OCC2	5900	950	1220	1920	1320	530	120	165	500	1790	2510	o.r.
1RN7 507-2NA80-OAA2	6450	950	1220	1920	1500	250	110	165	500	1790	2170	o.r.
1RN7 507-2NA80-OAC2	6400	950	1220	1920	1500	530	120	165	500	1790	2720	o.r.
1RN7 507-2NA80-OCA2	6600	950	1220	1920	1500	250	110	165	500	1790	2170	o.r.
1RN7 507-2NA80-OCC2	6550	950	1220	1920	1500	530	120	165	500	1790	2720	o.r.
1RN7 508-2NA80-OAA2	6800	950	1220	1920	1500	250	110	165	500	1790	2170	o.r.
1RN7 508-2NA80-OAC2	6750	950	1220	1920	1500	530	120	165	500	1790	2720	o.r.
1RN7 508-2NA80-OCA2	7000	950	1220	1920	1500	250	110	165	500	1790	2170	o.r.
1RN7 508-2NA80-OCC2	6900	950	1220	1920	1500	530	120	165	500	1790	2720	o.r.
1RN7 562-2NA80-OCC2	7600	1060	1290	2060	1400	600	150	200	560	1970	2810	o.r.
1RN7 563-2NA80-OCC2	7900	1060	1290	2060	1400	600	150	200	560	1970	2810	o.r.
1RN7 564-2NA80-OCC2	8150	1060	1290	2060	1400	600	150	200	560	1970	2810	o.r.
1RN7 567-2NA80-OCC2	8950	1060	1290	2060	1600	600	150	200	560	1970	3040	o.r.
1RN7 568-2NA80-OCC2	9500	1060	1290	2060	1600	600	150	200	560	1970	3040	o.r.
1RN8 632-2NA80-OCJ0	9250	1320	1520	2520	1600	560	160	240	630	2250	2890	o.r.
1RN8 633-2NA80-OCJ0	9750	1320	1520	2520	1600	560	160	240	630	2250	2890	o.r.
1RN8 634-2NA80-OCJ0	10200	1320	1520	2520	1600	560	160	240	630	2250	2890	o.r.
1RN8 637-2NA80-OCJ0	11000	1320	1520	2520	1800	560	160	240	630	2250	3090	o.r.
1RN8 638-2NA80-OCJ0	11650	1320	1520	2520	1800	560	160	240	630	2250	3090	o.r.
1RN8 712-2NA80-OCJ0	12950	1500	1620	2720	2000	560	180	240	710	2550	3280	o.r.
1RN8 713-2NA80-OCJ0	13600	1500	1620	2720	2000	560	180	240	710	2550	3280	o.r.
1RN8 714-2NA80-OCJ0	14350	1500	1620	2720	2000	560	180	240	710	2550	3280	o.r.



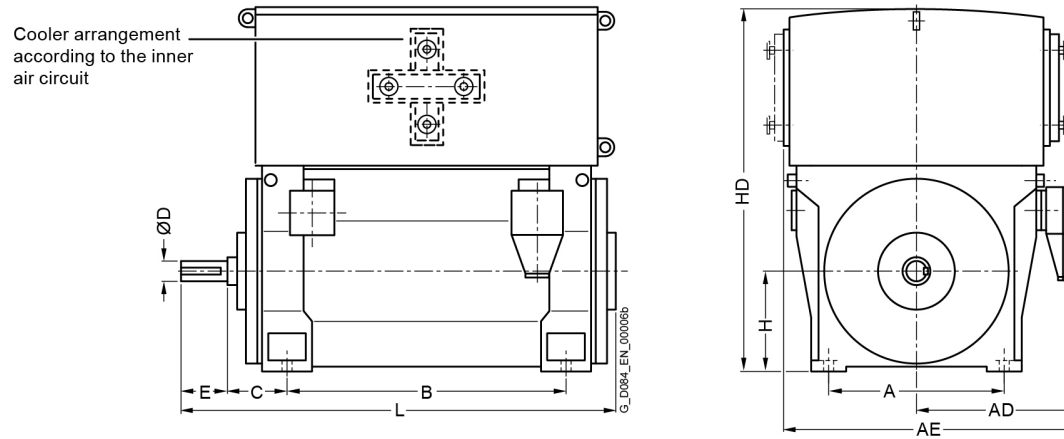
Motor type	Weight	Dimensions											
		A	AD	AE	B	C	D	E	H	HD	L	ML	
	kg	mm	mm	mm	mm	mm	mm	mm	mm	mm	mm	mm	mm
Innomotics HV M - 1RN. IC81W 10000 V / 50 Hz B3 (IM 1001) - Dimension drawings													
1RN8 716-2NA80-0CJ0	15250	1500	1620	2720	2240	560	180	240	710	2460	3520	o.r.	
1RN8 717-2NA80-0CJ0	16100	1500	1620	2720	2240	560	180	240	710	2460	3520	o.r.	
1RN8 718-2NA80-0CJ0	16850	1500	1620	2720	2240	560	180	240	710	2460	3520	o.r.	
4-pole													
1RN7 453-4NA80-0AA0	4300	850	1140	1760	1180	250	130	200	450	1740	1920	o.r.	
1RN7 453-4NA80-0AC0	4350	850	1140	1760	1180	500	130	200	450	1740	2390	o.r.	
1RN7 453-4NA80-0CA0	4450	850	1140	1760	1180	250	130	200	450	1740	1920	o.r.	
1RN7 453-4NA80-0CC0	4500	850	1140	1760	1180	500	130	200	450	1740	2390	o.r.	
1RN7 454-4NA80-0AA0	4500	850	1140	1760	1180	250	130	200	450	1740	1920	o.r.	
1RN7 454-4NA80-0AC0	4500	850	1140	1760	1180	500	130	200	450	1740	2390	o.r.	
1RN7 454-4NA80-0CA2	4650	850	1140	1760	1180	250	130	200	450	1740	1920	o.r.	
1RN7 454-4NA80-0CC2	4700	850	1140	1760	1180	500	130	200	450	1740	2390	o.r.	
1RN7 457-4NA80-0CA2	5250	850	1140	1760	1400	250	130	200	450	1740	2130	o.r.	
1RN7 457-4NA80-0CC2	5300	850	1140	1760	1400	500	130	200	450	1740	2600	o.r.	
1RN7 457-4NA80-0AA0	5100	850	1140	1760	1400	250	130	200	450	1740	2130	o.r.	
1RN7 457-4NA80-0AC0	5100	850	1140	1760	1400	500	130	200	450	1740	2600	o.r.	
1RN7 458-4NA80-0AA2	5300	850	1140	1760	1400	250	130	200	450	1740	2130	o.r.	
1RN7 458-4NA80-0AC2	5300	850	1140	1760	1400	500	130	200	450	1740	2600	o.r.	
1RN7 458-4NA80-0CA2	5500	850	1140	1760	1400	250	130	200	450	1740	2130	o.r.	
1RN7 458-4NA80-0CC2	5500	850	1140	1760	1400	500	130	200	450	1740	2600	o.r.	
1RN7 503-4NA80-0AA2	6000	950	1220	1920	1320	315	160	240	500	1790	2180	o.r.	
1RN7 503-4NA80-0AC2	6100	950	1220	1920	1320	560	170	240	500	1790	2620	o.r.	
1RN7 503-4NA80-0CA0	6150	950	1220	1920	1320	315	160	240	500	1790	2180	o.r.	



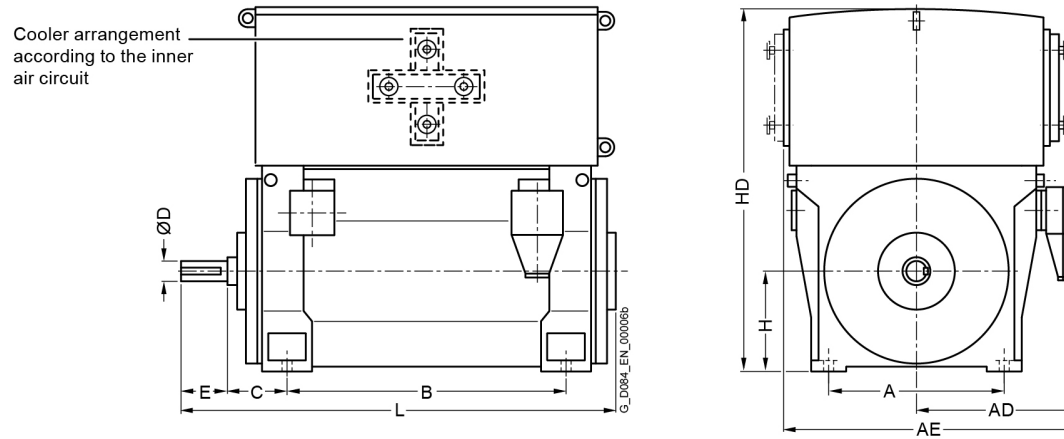
Motor type	Weight	Dimensions												
		A	AD	AE	B	C	D	E	H	HD	L	ML		
	kg	mm	mm	mm	mm	mm	mm	mm	mm	mm	mm	mm	mm	
Innomotics HV M - 1RN. IC81W 10000 V / 50 Hz B3 (IM 1001) - Dimension drawings														
1RN7 503-4NA80-0CC0	6250	950	1220	1920	1320	560	170	240	500	1790	2620	o.r.		
1RN7 504-4NA80-0CA2	6450	950	1220	1920	1320	315	160	240	500	1790	2180	o.r.		
1RN7 504-4NA80-0CC2	6500	950	1220	1920	1320	560	170	240	500	1790	2620	o.r.		
1RN7 504-4NA80-0AA2	6300	950	1220	1920	1320	315	160	240	500	1790	2180	o.r.		
1RN7 504-4NA80-0AC2	6350	950	1220	1920	1320	560	170	240	500	1790	2620	o.r.		
1RN7 507-4NA80-0CA2	7100	950	1220	1920	1500	315	160	240	500	1790	2390	o.r.		
1RN7 507-4NA80-0CC2	7150	950	1220	1920	1500	560	170	240	500	1790	2830	o.r.		
1RN7 507-4NA80-0AA2	6900	950	1220	1920	1500	315	160	240	500	1790	2390	o.r.		
1RN7 507-4NA80-0AC2	6950	950	1220	1920	1500	560	170	240	500	1790	2830	o.r.		
1RN7 508-4NA80-0CA2	7450	950	1220	1920	1500	315	160	240	500	1790	2390	o.r.		
1RN7 508-4NA80-0CC2	7500	950	1220	1920	1500	560	170	240	500	1790	2830	o.r.		
1RN7 508-4NA80-0AA2	7250	950	1220	1920	1500	315	160	240	500	1790	2390	o.r.		
1RN7 508-4NA80-0AC2	7300	950	1220	1920	1500	560	170	240	500	1790	2830	o.r.		
1RN7 563-4NA80-0CA2	7900	1060	1290	2060	1400	335	190	280	560	1970	2390	o.r.		
1RN7 563-4NA80-0CC2	8000	1060	1290	2060	1400	600	190	280	560	1970	2850	o.r.		
1RN7 564-4NA80-0CA2	8400	1060	1290	2060	1400	335	190	280	560	1970	2390	o.r.		
1RN7 564-4NA80-0CC2	8450	1060	1290	2060	1400	600	190	280	560	1970	2850	o.r.		
1RN7 566-4NA80-0CA2	9250	1060	1290	2060	1600	335	190	280	560	1970	2620	o.r.		
1RN7 566-4NA80-0CC2	9300	1060	1290	2060	1600	600	190	280	560	1970	3080	o.r.		
1RN7 567-4NA80-0CA2	9650	1060	1290	2060	1600	335	190	280	560	1970	2620	o.r.		
1RN7 567-4NA80-0CC2	9700	1060	1290	2060	1600	600	190	280	560	1970	3080	o.r.		
1RN7 568-4NA80-0CA2	10100	1060	1290	2060	1600	335	190	280	560	1970	2620	o.r.		
1RN7 568-4NA80-0CC2	10150	1060	1290	2060	1600	600	190	280	560	1970	3080	o.r.		



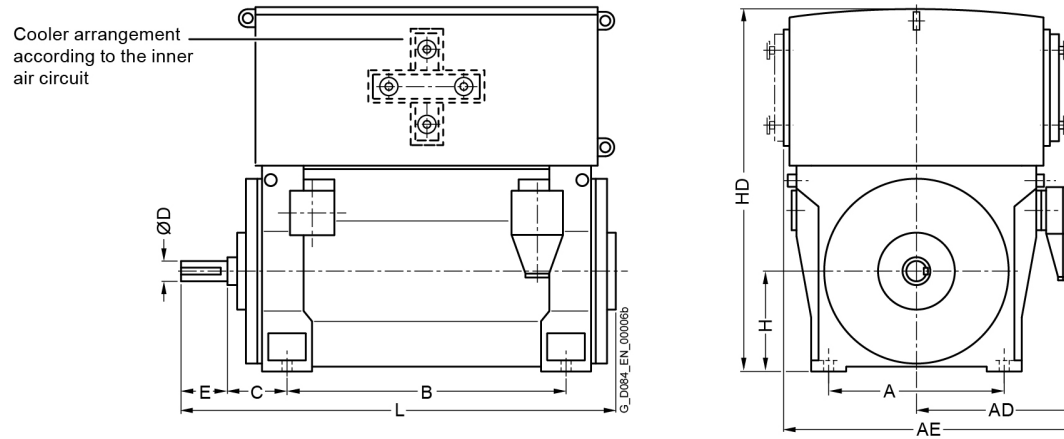
Motor type	Weight	Dimensions											
		A	AD	AE	B	C	D	E	H	HD	L	ML	
	kg	mm	mm	mm	mm	mm	mm	mm	mm	mm	mm	mm	mm
Innomotics HV M - 1RN. IC81W 10000 V / 50 Hz B3 (IM 1001) - Dimension drawings													
1RN8 633-4NA80-0CG0	10350	1320	1520	2520	1600	375	200	280	630	2250	2610	o.r.	
1RN8 633-4NA80-0CJ0	10450	1320	1520	2520	1600	630	200	280	630	2250	3090	o.r.	
1RN8 634-4NA80-0CG0	10950	1320	1520	2520	1600	375	200	280	630	2250	2610	o.r.	
1RN8 634-4NA80-0CJ0	11050	1320	1520	2520	1600	630	200	280	630	2250	3090	o.r.	
1RN8 637-4NA80-0CG0	11800	1320	1520	2520	1800	375	200	280	630	2250	2810	o.r.	
1RN8 637-4NA80-0CJ0	11900	1320	1520	2520	1800	630	200	280	630	2250	3290	o.r.	
1RN8 638-4NA80-0CG0	12400	1320	1520	2520	1800	375	200	280	630	2250	2810	o.r.	
1RN8 638-4NA80-0CJ0	12500	1320	1520	2520	1800	630	200	280	630	2250	3290	o.r.	
1RN8 712-4NA80-0CG0	14050	1500	1620	2720	2000	375	220	280	710	2550	3010	o.r.	
1RN8 712-4NA80-0CJ0	14200	1500	1620	2720	2000	630	220	280	710	2550	3480	o.r.	
1RN8 713-4NA80-0CG0	14750	1500	1620	2720	2000	375	220	280	710	2550	3010	o.r.	
1RN8 713-4NA80-0CJ0	14900	1500	1620	2720	2000	630	220	280	710	2550	3480	o.r.	
1RN8 714-4NA80-0CG0	15500	1500	1620	2720	2000	375	220	280	710	2550	3010	o.r.	
1RN8 714-4NA80-0CJ0	15600	1500	1620	2720	2000	630	220	280	710	2550	3480	o.r.	
1RN8 717-4NA80-0CG0	16700	1500	1620	2720	2240	375	220	280	710	2460	3250	o.r.	
1RN8 717-4NA80-0CJ0	16850	1500	1620	2720	2240	630	220	280	710	2460	3720	o.r.	
1RN8 718-4NA80-0CG2	17300	1500	1620	2720	2240	375	220	280	710	2460	3250	o.r.	
1RN8 718-4NA80-0CJ2	17450	1500	1620	2720	2240	630	220	280	710	2460	3720	o.r.	
6-pole													
1RN7 452-6NA80-0AA0	4200	850	1140	1760	1180	250	130	200	450	1740	1920	o.r.	
1RN7 452-6NA80-0ACO	4200	850	1140	1760	1180	500	130	200	450	1740	2390	o.r.	
1RN7 452-6NA80-0CA0	4350	850	1140	1760	1180	250	130	200	450	1740	1920	o.r.	
1RN7 452-6NA80-0CC0	4350	850	1140	1760	1180	500	130	200	450	1740	2390	o.r.	



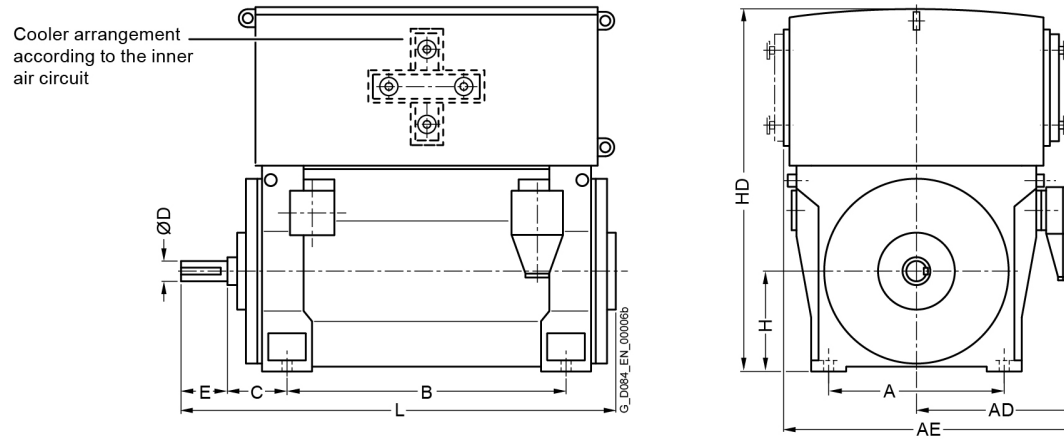
Motor type	Weight	Dimensions										
		A	AD	AE	B	C	D	E	H	HD	L	ML
	kg	mm	mm	mm	mm	mm	mm	mm	mm	mm	mm	mm
Innomotics HV M - 1RN. IC81W 10000 V / 50 Hz B3 (IM 1001) - Dimension drawings												
1RN7 453-6NA80-0AA0	4350	850	1140	1760	1180	250	130	200	450	1740	1920	o.r.
1RN7 453-6NA80-0AC0	4350	850	1140	1760	1180	500	130	200	450	1740	2390	o.r.
1RN7 453-6NA80-0CA0	4500	850	1140	1760	1180	250	130	200	450	1740	1920	o.r.
1RN7 453-6NA80-0CC0	4550	850	1140	1760	1180	500	130	200	450	1740	2390	o.r.
1RN7 454-6NA80-0AA0	4500	850	1140	1760	1180	250	130	200	450	1740	1920	o.r.
1RN7 454-6NA80-0AC0	4550	850	1140	1760	1180	500	130	200	450	1740	2390	o.r.
1RN7 454-6NA80-0CA0	4700	850	1140	1760	1180	250	130	200	450	1740	1920	o.r.
1RN7 454-6NA80-0CC0	4700	850	1140	1760	1180	500	130	200	450	1740	2390	o.r.
1RN7 457-6NA80-0AA0	4950	850	1140	1760	1400	250	130	200	450	1740	2130	o.r.
1RN7 457-6NA80-0AC0	5000	850	1140	1760	1400	500	130	200	450	1740	2600	o.r.
1RN7 457-6NA80-0CA0	5150	850	1140	1760	1400	250	130	200	450	1740	2130	o.r.
1RN7 457-6NA80-0CC0	5200	850	1140	1760	1400	500	130	200	450	1740	2600	o.r.
1RN7 458-6NA80-0AA0	5250	850	1140	1760	1400	250	130	200	450	1740	2130	o.r.
1RN7 458-6NA80-0AC0	5300	850	1140	1760	1400	500	130	200	450	1740	2600	o.r.
1RN7 458-6NA80-0CA0	5450	850	1140	1760	1400	250	130	200	450	1740	2130	o.r.
1RN7 458-6NA80-0CC0	5500	850	1140	1760	1400	500	130	200	450	1740	2600	o.r.
1RN7 502-6NA80-0CA2	6200	950	1220	1920	1320	315	160	240	500	1910	2180	o.r.
1RN7 502-6NA80-0CC2	6250	950	1220	1920	1320	560	170	240	500	1910	2620	o.r.
1RN7 502-6NA80-0AA0	5950	950	1220	1920	1320	315	160	240	500	1910	2180	o.r.
1RN7 502-6NA80-0AC0	6000	950	1220	1920	1320	560	170	240	500	1910	2620	o.r.
1RN7 503-6NA80-0CA2	6450	950	1220	1920	1320	315	160	240	500	1910	2180	o.r.
1RN7 503-6NA80-0CC2	6500	950	1220	1920	1320	560	170	240	500	1910	2620	o.r.
1RN7 503-6NA80-0AA0	6200	950	1220	1920	1320	315	160	240	500	1910	2180	o.r.



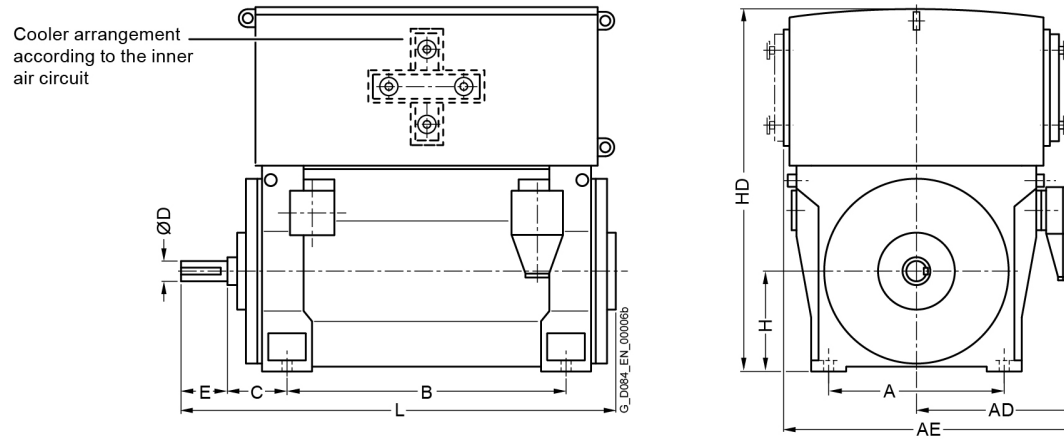
Motor type	Weight	Dimensions											
		A	AD	AE	B	C	D	E	H	HD	L	ML	
	kg	mm	mm	mm	mm	mm	mm	mm	mm	mm	mm	mm	mm
Innomotics HV M - 1RN. IC81W 10000 V / 50 Hz B3 (IM 1001) - Dimension drawings													
1RN7 503-6NA80-0AC0	6250	950	1220	1920	1320	560	170	240	500	1910	2620	o.r.	
1RN7 504-6NA80-0CA2	6700	950	1220	1920	1320	315	160	240	500	1910	2180	o.r.	
1RN7 504-6NA80-0CC2	6800	950	1220	1920	1320	560	170	240	500	1910	2620	o.r.	
1RN7 504-6NA80-0AA2	6450	950	1220	1920	1320	315	160	240	500	1910	2180	o.r.	
1RN7 504-6NA80-0AC2	6500	950	1220	1920	1320	560	170	240	500	1910	2620	o.r.	
1RN7 507-6NA80-0CA2	7350	950	1220	1920	1500	315	160	240	500	1910	2390	o.r.	
1RN7 507-6NA80-0CC2	7400	950	1220	1920	1500	560	170	240	500	1910	2830	o.r.	
1RN7 507-6NA80-0AA2	7150	950	1220	1920	1500	315	160	240	500	1910	2390	o.r.	
1RN7 507-6NA80-0AC2	7200	950	1220	1920	1500	560	170	240	500	1910	2830	o.r.	
1RN7 508-6NA80-0AA2	7450	950	1220	1920	1500	315	160	240	500	1910	2390	o.r.	
1RN7 508-6NA80-0AC2	7500	950	1220	1920	1500	560	170	240	500	1910	2830	o.r.	
1RN7 508-6NA80-0CA2	7750	950	1220	1920	1500	315	160	240	500	1910	2390	o.r.	
1RN7 508-6NA80-0CC2	7800	950	1220	1920	1500	560	170	240	500	1910	2830	o.r.	
1RN7 562-6NA80-0CA2	8250	1060	1290	2060	1400	335	190	280	560	2110	2390	o.r.	
1RN7 562-6NA80-0CC2	8350	1060	1290	2060	1400	600	190	280	560	2110	2850	o.r.	
1RN7 563-6NA80-0CA2	8550	1060	1290	2060	1400	335	190	280	560	2110	2390	o.r.	
1RN7 563-6NA80-0CC2	8650	1060	1290	2060	1400	600	190	280	560	2110	2850	o.r.	
1RN7 564-6NA80-0CA2	8950	1060	1290	2060	1400	335	190	280	560	2110	2390	o.r.	
1RN7 564-6NA80-0CC2	9050	1060	1290	2060	1400	600	190	280	560	2110	2850	o.r.	
1RN7 567-6NA80-0CA2	9800	1060	1290	2060	1600	335	190	280	560	2110	2620	o.r.	
1RN7 567-6NA80-0CC2	9850	1060	1290	2060	1600	600	190	280	560	2110	3080	o.r.	
1RN7 568-6NA80-0CA2	10400	1060	1290	2060	1600	335	190	280	560	2110	2620	o.r.	
1RN7 568-6NA80-0CC2	10450	1060	1290	2060	1600	600	190	280	560	2110	3080	o.r.	



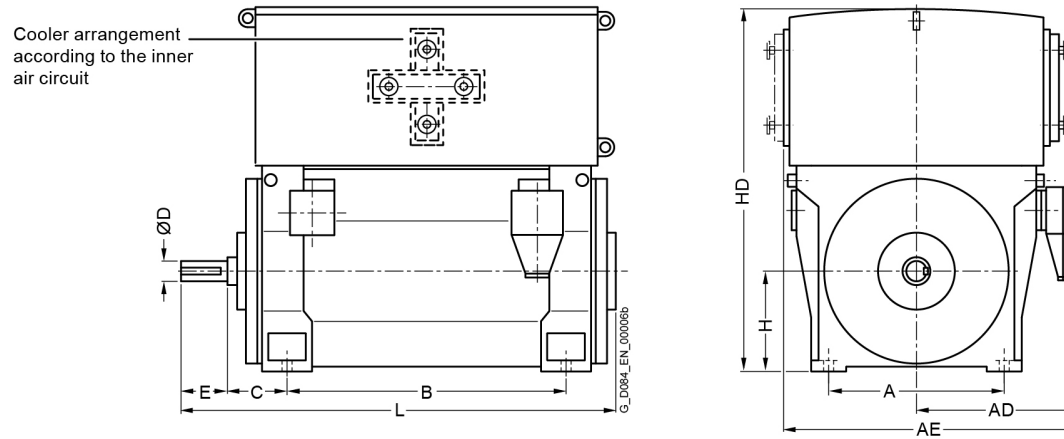
Motor type	Weight	Dimensions												
		A	AD	AE	B	C	D	E	H	HD	L	ML		
	kg	mm	mm	mm	mm	mm	mm	mm	mm	mm	mm	mm	mm	
Innomotics HV M - 1RN. IC81W 10000 V / 50 Hz B3 (IM 1001) - Dimension drawings														
1RN8 632-6NA80-0CG0	10350	1320	1520	2520	1600	375	200	280	630	2250	2610	o.r.		
1RN8 632-6NA80-0CJ0	10500	1320	1520	2520	1600	630	200	280	630	2250	3090	o.r.		
1RN8 633-6NA80-0CG2	10800	1320	1520	2520	1600	375	200	280	630	2250	2610	o.r.		
1RN8 633-6NA80-0CJ2	10950	1320	1520	2520	1600	630	200	280	630	2250	3090	o.r.		
1RN8 634-6NA80-0CG0	11350	1320	1520	2520	1600	375	200	280	630	2250	2610	o.r.		
1RN8 634-6NA80-0CJ0	11450	1320	1520	2520	1600	630	200	280	630	2250	3090	o.r.		
1RN8 637-6NA80-0CG0	12100	1320	1520	2520	1800	375	200	280	630	2250	2810	o.r.		
1RN8 637-6NA80-0CJ0	12200	1320	1520	2520	1800	630	200	280	630	2250	3290	o.r.		
1RN8 638-6NA80-0CG0	12600	1320	1520	2520	1800	375	200	280	630	2250	2810	o.r.		
1RN8 638-6NA80-0CJ0	12750	1320	1520	2520	1800	630	200	280	630	2250	3290	o.r.		
1RN8 712-6NA80-0CG0	14000	1500	1620	2720	2000	375	220	280	710	2550	3010	o.r.		
1RN8 712-6NA80-0CJ0	14150	1500	1620	2720	2000	630	220	280	710	2550	3480	o.r.		
1RN8 713-6NA80-0CG0	14950	1500	1620	2720	2000	375	220	280	710	2550	3010	o.r.		
1RN8 713-6NA80-0CJ0	15100	1500	1620	2720	2000	630	220	280	710	2550	3480	o.r.		
1RN8 714-6NA80-0CG0	16000	1500	1620	2720	2000	375	220	280	710	2550	3010	o.r.		
1RN8 714-6NA80-0CJ0	16150	1500	1620	2720	2000	630	220	280	710	2550	3480	o.r.		
1RN8 717-6NA80-0CG0	17400	1500	1620	2720	2240	375	220	280	710	2460	3250	o.r.		
1RN8 717-6NA80-0CJ0	17550	1500	1620	2720	2240	630	220	280	710	2460	3720	o.r.		
1RN8 718-6NA80-0CG0	18450	1500	1620	2720	2240	375	220	280	710	2460	3250	o.r.		
1RN8 718-6NA80-0CJ0	18600	1500	1620	2720	2240	630	220	280	710	2460	3720	o.r.		
8-pole														
1RN7 451-8NA80-0AA0	4150	850	1140	1760	1180	250	130	200	450	1740	1920	o.r.		
1RN7 451-8NA80-0AC0	4200	850	1140	1760	1180	500	130	200	450	1740	2390	o.r.		



Motor type	Weight	Dimensions												
		A	AD	AE	B	C	D	E	H	HD	L	ML		
	kg	mm	mm	mm	mm	mm	mm	mm	mm	mm	mm	mm	mm	
Innomotics HV M - 1RN. IC81W 10000 V / 50 Hz B3 (IM 1001) - Dimension drawings														
1RN7 451-8NA80-0CA0	4300	850	1140	1760	1180	250	130	200	450	1740	1920	o.r.		
1RN7 451-8NA80-0CC0	4300	850	1140	1760	1180	500	130	200	450	1740	2390	o.r.		
1RN7 452-8NA80-0AA0	4300	850	1140	1760	1180	250	130	200	450	1740	1920	o.r.		
1RN7 452-8NA80-0AC0	4350	850	1140	1760	1180	500	130	200	450	1740	2390	o.r.		
1RN7 452-8NA80-0CA0	4450	850	1140	1760	1180	250	130	200	450	1740	1920	o.r.		
1RN7 452-8NA80-0CC0	4500	850	1140	1760	1180	500	130	200	450	1740	2390	o.r.		
1RN7 453-8NA80-0AA0	4500	850	1140	1760	1180	250	130	200	450	1740	1920	o.r.		
1RN7 453-8NA80-0AC0	4550	850	1140	1760	1180	500	130	200	450	1740	2390	o.r.		
1RN7 453-8NA80-0CA2	4650	850	1140	1760	1180	250	130	200	450	1740	1920	o.r.		
1RN7 453-8NA80-0CC2	4700	850	1140	1760	1180	500	130	200	450	1740	2390	o.r.		
1RN7 454-8NA80-0AA0	4750	850	1140	1760	1180	250	130	200	450	1740	1920	o.r.		
1RN7 454-8NA80-0AC0	4800	850	1140	1760	1180	500	130	200	450	1740	2390	o.r.		
1RN7 454-8NA80-0CA2	4900	850	1140	1760	1180	250	130	200	450	1740	1920	o.r.		
1RN7 454-8NA80-0CC2	4950	850	1140	1760	1180	500	130	200	450	1740	2390	o.r.		
1RN7 457-8NA80-0AA0	5250	850	1140	1760	1400	250	130	200	450	1740	2130	o.r.		
1RN7 457-8NA80-0AC0	5300	850	1140	1760	1400	500	130	200	450	1740	2600	o.r.		
1RN7 457-8NA80-0CA0	5450	850	1140	1760	1400	250	130	200	450	1740	2130	o.r.		
1RN7 457-8NA80-0CC0	5450	850	1140	1760	1400	500	130	200	450	1740	2600	o.r.		
1RN7 458-8NA80-0AA2	5500	850	1140	1760	1400	250	130	200	450	1740	2130	o.r.		
1RN7 458-8NA80-0AC2	5550	850	1140	1760	1400	500	130	200	450	1740	2600	o.r.		
1RN7 458-8NA80-0CA2	5700	850	1140	1760	1400	250	130	200	450	1740	2130	o.r.		
1RN7 458-8NA80-0CC2	5700	850	1140	1760	1400	500	130	200	450	1740	2600	o.r.		
1RN7 502-8NA80-0CA2	6200	950	1220	1920	1320	315	160	240	500	1910	2180	o.r.		



Motor type	Weight kg	Dimensions												
		A mm	AD mm	AE mm	B mm	C mm	D mm	E mm	H mm	HD mm	L mm	ML mm		
Innomotics HV M - 1RN. IC81W 10000 V / 50 Hz B3 (IM 1001) - Dimension drawings														
1RN7 502-8NA80-0CC2	6250	950	1220	1920	1320	560	170	240	500	1910	2620	o.r.		
1RN7 502-8NA80-0AA2	5950	950	1220	1920	1320	315	160	240	500	1910	2180	o.r.		
1RN7 502-8NA80-0AC2	6000	950	1220	1920	1320	560	170	240	500	1910	2620	o.r.		
1RN7 503-8NA80-0AA2	6250	950	1220	1920	1320	315	160	240	500	1910	2180	o.r.		
1RN7 503-8NA80-0AC2	6300	950	1220	1920	1320	560	170	240	500	1910	2620	o.r.		
1RN7 503-8NA80-0CA2	6450	950	1220	1920	1320	315	160	240	500	1910	2180	o.r.		
1RN7 503-8NA80-0CC2	6500	950	1220	1920	1320	560	170	240	500	1910	2620	o.r.		
1RN7 504-8NA80-0AA2	6500	950	1220	1920	1320	315	160	240	500	1910	2180	o.r.		
1RN7 504-8NA80-0AC2	6550	950	1220	1920	1320	560	170	240	500	1910	2620	o.r.		
1RN7 504-8NA80-0CA2	6750	950	1220	1920	1320	315	160	240	500	1910	2180	o.r.		
1RN7 504-8NA80-0CC2	6800	950	1220	1920	1320	560	170	240	500	1910	2620	o.r.		
1RN7 507-8NA80-0AA2	7150	950	1220	1920	1500	315	160	240	500	1910	2390	o.r.		
1RN7 507-8NA80-0AC2	7250	950	1220	1920	1500	560	170	240	500	1910	2830	o.r.		
1RN7 507-8NA80-0CA2	7400	950	1220	1920	1500	315	160	240	500	1910	2390	o.r.		
1RN7 507-8NA80-0CC2	7500	950	1220	1920	1500	560	170	240	500	1910	2830	o.r.		
1RN7 508-8NA80-0AA2	7500	950	1220	1920	1500	315	160	240	500	1910	2390	o.r.		
1RN7 508-8NA80-0AC2	7550	950	1220	1920	1500	560	170	240	500	1910	2830	o.r.		
1RN7 508-8NA80-0CA2	7750	950	1220	1920	1500	315	160	240	500	1910	2390	o.r.		
1RN7 508-8NA80-0CC2	7800	950	1220	1920	1500	560	170	240	500	1910	2830	o.r.		
1RN7 562-8NA80-0CA2	8150	1060	1290	2060	1400	335	190	280	560	2110	2390	o.r.		
1RN7 562-8NA80-0CC2	8250	1060	1290	2060	1400	600	190	280	560	2110	2850	o.r.		
1RN7 563-8NA80-0CA2	8450	1060	1290	2060	1400	335	190	280	560	2110	2390	o.r.		
1RN7 563-8NA80-0CC2	8550	1060	1290	2060	1400	600	190	280	560	2110	2850	o.r.		



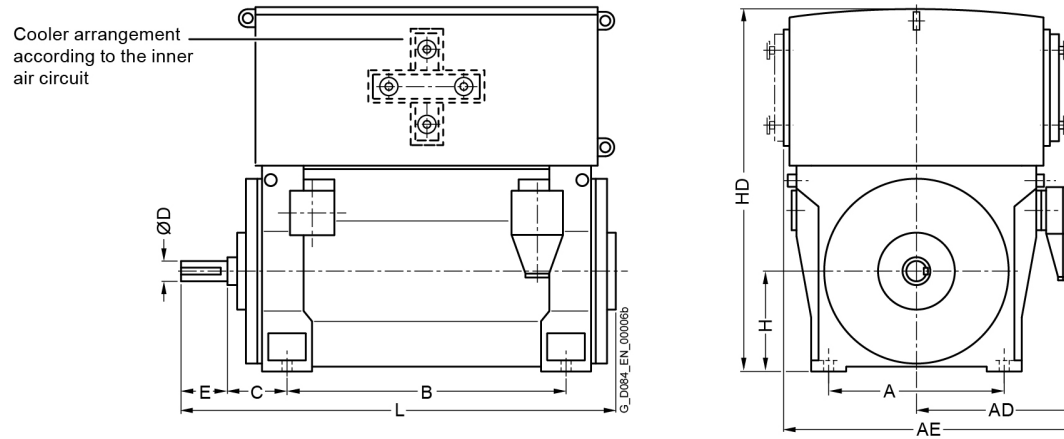
Motor type	Weight	Dimensions											
		A	AD	AE	B	C	D	E	H	HD	L	ML	
	kg	mm	mm	mm	mm	mm	mm	mm	mm	mm	mm	mm	mm
Innomotics HV M - 1RN. IC81W 10000 V / 50 Hz B3 (IM 1001) - Dimension drawings													
1RN7 564-8NA80-OCA2	8950	1060	1290	2060	1400	335	190	280	560	2110	2390	o.r.	
1RN7 564-8NA80-OCC2	9050	1060	1290	2060	1400	600	190	280	560	2110	2850	o.r.	
1RN7 567-8NA80-OCA2	9800	1060	1290	2060	1600	335	190	280	560	2110	2620	o.r.	
1RN7 567-8NA80-OCC2	9900	1060	1290	2060	1600	600	190	280	560	2110	3080	o.r.	
1RN7 568-8NA80-OCA2	10300	1060	1290	2060	1600	335	190	280	560	2110	2620	o.r.	
1RN7 568-8NA80-OCC2	10400	1060	1290	2060	1600	600	190	280	560	2110	3080	o.r.	
1RN8 634-8NA80-OCG0	10500	1320	1520	2520	1600	375	200	280	630	2380	2610	o.r.	
1RN8 634-8NA80-OCJ0	10600	1320	1520	2520	1600	630	200	280	630	2380	3090	o.r.	
1RN8 637-8NA80-OCG0	11650	1320	1520	2520	1800	375	200	280	630	2380	2810	o.r.	
1RN8 637-8NA80-OCJ0	11750	1320	1520	2520	1800	630	200	280	630	2380	3290	o.r.	
1RN8 638-8NA80-OCG0	12350	1320	1520	2520	1800	375	200	280	630	2380	2810	o.r.	
1RN8 638-8NA80-OCJ0	12450	1320	1520	2520	1800	630	200	280	630	2380	3290	o.r.	
1RN8 712-8NA80-OCG0	13600	1500	1620	2720	2000	375	220	280	710	2550	3010	o.r.	
1RN8 712-8NA80-OCJ0	13750	1500	1620	2720	2000	630	220	280	710	2550	3480	o.r.	
1RN8 713-8NA80-OCG0	14350	1500	1620	2720	2000	375	220	280	710	2550	3010	o.r.	
1RN8 713-8NA80-OCJ0	14550	1500	1620	2720	2000	630	220	280	710	2550	3480	o.r.	
1RN8 714-8NA80-OCG0	15500	1500	1620	2720	2000	375	220	280	710	2550	3010	o.r.	
1RN8 714-8NA80-OCJ0	15700	1500	1620	2720	2000	630	220	280	710	2550	3480	o.r.	
1RN8 717-8NA80-OCG0	17050	1500	1620	2720	2240	375	220	280	710	2460	3250	o.r.	
1RN8 717-8NA80-OCJ0	17250	1500	1620	2720	2240	630	220	280	710	2460	3720	o.r.	
1RN8 718-8NA80-OCG0	18100	1500	1620	2720	2240	375	220	280	710	2460	3250	o.r.	
1RN8 718-8NA80-OCJ0	18300	1500	1620	2720	2240	630	220	280	710	2460	3720	o.r.	

Innomotics HV M - 1RN. IC81W 11000 V / 50 Hz B3 (IM 1001)																		
Rated power IEC	Article No.	Speed	Rated current I_R	Efficiency				Power factor				Torque T_R	Breakdown torque T_B/ T_R	Locked rotor torque T_{LR}/ T_R	Locked rotor current I_{LR}/ I_R	Inertia		
				5/4 load	4/4 load	3/4 load	2/4 load	5/4 load	4/4 load	3/4 load	2/4 load					motor	external	Startup max T/TR
kW		rpm	A	%	%	%	%	cos φ	cos φ	cos φ	cos φ	Nm	[-]	[-]	[-]	kgm ²	kgm ²	[-]
2-pole: n_{sync} = 3000 rpm at 50 Hz																		
1260	1RN7 452-2NA90-0A.0	2978	79	94.8	95.6	95.9	95.7	0.87	0.88	0.87	0.83	4040	2.20	0.50	5.2	9	45	o.r.
1400	1RN7 453-2NA90-0A.0	2978	87	95.1	95.8	96.1	95.9	0.87	0.88	0.87	0.83	4489	2.20	0.50	5.2	10	55	o.r.
1400	1RN7 453-2NA90-0C.0	2977	85	95.1	95.8	96.1	95.9	0.88	0.90	0.89	0.87	4491	2.20	0.55	5.2	14	75	o.r.
1500	1RN7 454-2NA90-0A.0	2980	93	95.3	95.9	96.1	95.7	0.87	0.88	0.86	0.80	4807	2.50	0.55	6.0	11	55	o.r.
1500	1RN7 454-2NA90-0C.0	2978	91	95.2	96.0	96.2	96.0	0.89	0.90	0.90	0.87	4810	2.30	0.60	5.4	15	75	o.r.
1700	1RN7 457-2NA90-0A.0	2980	106	95.5	96.1	96.2	95.9	0.88	0.88	0.86	0.80	5448	2.50	0.55	6.0	12	75	o.r.
1700	1RN7 457-2NA90-0C.0	2979	104	95.5	96.1	96.2	95.9	0.89	0.90	0.89	0.86	5449	2.50	0.60	5.6	16	100	o.r.
1900	1RN7 458-2NA90-0A.0	2980	116	95.7	96.3	96.5	96.2	0.88	0.89	0.87	0.82	6088	2.55	0.60	6.0	13	80	o.r.
1900	1RN7 458-2NA90-0C.0	2980	114	95.7	96.3	96.5	96.2	0.90	0.91	0.90	0.87	6088	2.50	0.60	5.8	17	110	o.r.
2200	1RN7 503-2NA90-0C.0	2976	134	95.7	96.3	96.7	96.6	0.88	0.89	0.89	0.86	7059	2.25	0.55	4.4	20	134	o.r.
2150	1RN7 503-2NA90-0A.0	2971	134	95.5	96.1	96.6	96.8	0.86	0.88	0.88	0.86	6910	2.00	0.45	5.0	15	28	o.r.
2500	1RN7 504-2NA90-0C.0	2977	152	96.0	96.5	96.7	96.6	0.88	0.89	0.89	0.84	8019	2.45	0.70	4.8	21	126	o.r.
2300	1RN7 504-2NA90-0A.0	2972	142	95.5	96.2	96.7	96.8	0.86	0.88	0.88	0.86	7390	2.00	0.45	5.0	15	28	o.r.
2750	1RN7 507-2NA90-0C.0	2979	166	96.3	96.7	97.0	96.9	0.89	0.90	0.90	0.86	8815	2.50	0.70	5.1	24	140	o.r.
2600	1RN7 507-2NA90-0A.0	2973	158	95.9	96.5	96.9	97.0	0.88	0.89	0.90	0.87	8351	2.30	0.50	5.4	18	36	o.r.
3100	1RN7 508-2NA90-0C.0	2980	184	96.5	96.9	97.1	97.0	0.90	0.91	0.91	0.87	9934	2.60	0.75	5.4	27	148	o.r.
2850	1RN7 508-2NA90-0A.0	2976	174	96.2	96.7	97.0	97.0	0.88	0.89	0.90	0.86	9145	2.50	0.45	5.9	20	44	o.r.
3670	1RN7 562-2NA90-0CC0	2982	225	96.3	96.6	96.8	96.5	0.88	0.89	0.88	0.85	11752	2.25	0.60	5.1	41	235	o.r.
3920	1RN7 563-2NA90-0CC0	2981	235	96.4	96.7	96.9	96.7	0.88	0.90	0.89	0.86	12557	2.25	0.55	5.1	44	240	o.r.
4430	1RN7 564-2NA90-0CC0	2983	270	96.5	96.7	96.9	96.5	0.88	0.89	0.87	0.83	14181	2.50	0.65	5.7	47	220	o.r.
5000	1RN7 567-2NA90-0CC0	2982	300	96.7	97.0	97.2	96.9	0.89	0.90	0.90	0.87	16012	2.35	0.60	5.4	52	270	o.r.
5170	1RN7 568-2NA90-0CC0	2985	305	96.9	97.1	97.2	96.9	0.91	0.91	0.90	0.86	16539	2.70	0.65	6.2	58	260	o.r.
5800	1RN8 632-2NA90-0CJ0	2982	355	96.3	96.9	96.8	96.4	0.86	0.88	0.89	0.87	18573	2.00	0.50	4.6	75	270	o.r.
6550	1RN8 633-2NA90-0CJ0	2982	400	96.5	97.0	97.0	96.6	0.87	0.89	0.89	0.88	20975	2.05	0.50	4.8	82	270	o.r.
7050	1RN8 634-2NA90-0CJ0	2982	430	96.6	97.1	97.1	96.7	0.87	0.89	0.90	0.89	22576	2.10	0.55	5.0	90	270	o.r.
8050	1RN8 637-2NA90-0CJ0	2983	480	96.8	97.3	97.2	96.9	0.88	0.90	0.91	0.89	25770	2.20	0.60	5.3	99	270	o.r.
8850	1RN8 638-2NA90-0CJ0	2984	520	97.0	97.4	97.4	97.0	0.89	0.91	0.91	0.89	28321	2.35	0.65	5.6	108	270	o.r.
9150	1RN8 712-2NA90-0CJ0	2984	560	96.7	97.0	97.0	96.5	0.85	0.88	0.89	0.88	29282	1.75	0.50	4.1	149	220	o.r.
9900	1RN8 713-2NA90-0CJ0	2985	600	96.8	97.1	97.1	96.6	0.86	0.89	0.89	0.89	31671	1.90	0.50	4.0	160	210	o.r.
10600	1RN8 714-2NA90-0CJ0	2986	630	97.0	97.2	97.1	96.6	0.88	0.91	0.90	0.89	33899	2.10	0.55	4.4	173	210	o.r.
12000	1RN8 716-2NA90-0CJ0	2986	720	97.1	97.3	97.3	96.8	0.88	0.90	0.90	0.89	38376	2.10	0.60	5.0	186	190	o.r.
13200	1RN8 717-2NA90-0CJ0	2987	780	97.3	97.4	97.4	96.9	0.89	0.91	0.91	0.90	42200	2.20	0.60	5.2	202	170	o.r.
13850	1RN8 718-2NA90-0CJ0	2988	820	97.2	97.4	97.4	97.0	0.89	0.91	0.91	0.90	44263	2.20	0.60	5.3	220	220	o.r.
4-pole: n_{sync} = 1500 rpm at 50 Hz																		
1380	1RN7 453-4NA90-0C.0	1486	87	95.0	95.8	96.2	96.1	0.87	0.87	0.84	0.77	8868	2.35	0.55	5.2	23	290	o.r.
1350	1RN7 453-4NA90-0A.0	1483	85	94.8	95.6	96.1	96.1	0.87	0.87	0.85	0.78	8693	2.30	0.65	5.5	17	310	o.r.

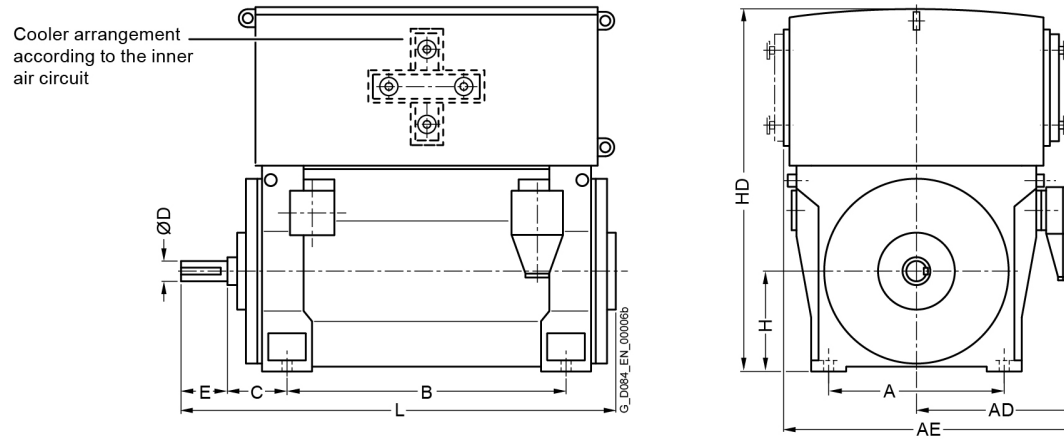
Innomotics HV M - 1RN. IC81W 11000 V / 50 Hz B3 (IM 1001)																		
Rated power IEC	Article No.	Speed	Rated current I_R	Efficiency				Power factor				Torque T_R	Breakdown torque T_B/ T_R	Locked rotor torque T_{LR}/ T_R	Locked rotor current I_{LR}/ I_R	Inertia		
				5/4 load	4/4 load	3/4 load	2/4 load	5/4 load	4/4 load	3/4 load	2/4 load					motor	external	Startup max T/TR
kW		rpm	A	%	%	%	%	$\cos \varphi$	$\cos \varphi$	$\cos \varphi$	$\cos \varphi$	Nm	[-]	[-]	[-]	kgm ²	kgm ²	[-]
1430	1RN7 454-4NA90-0A.0	1485	89	95.0	95.8	96.1	96.1	0.88	0.88	0.84	0.76	9196	2.60	0.80	6.0	19	315	o.r.
1480	1RN7 454-4NA90-0C.0	1486	92	95.2	95.9	96.3	96.3	0.88	0.88	0.86	0.79	9511	2.35	0.55	5.3	25	300	o.r.
1650	1RN7 457-4NA90-0A.0	1486	102	95.5	96.1	96.4	96.3	0.88	0.88	0.84	0.76	10603	2.85	0.90	6.5	22	430	o.r.
1750	1RN7 457-4NA90-0C.0	1488	108	95.6	96.3	96.5	96.5	0.88	0.89	0.86	0.80	11231	2.55	0.60	5.8	30	380	o.r.
1830	1RN7 458-4NA90-0A.0	1486	114	95.6	96.2	96.5	96.3	0.88	0.88	0.83	0.74	11760	2.95	0.95	6.5	24	450	o.r.
1900	1RN7 458-4NA90-0C.0	1489	116	95.8	96.4	96.6	96.5	0.88	0.89	0.85	0.78	12185	2.70	0.65	6.0	32	430	o.r.
2100	1RN7 503-4NA90-0A.0	1486	128	95.7	96.4	96.9	97.0	0.88	0.90	0.88	0.85	13495	2.30	0.80	5.2	37	450	o.r.
2150	1RN7 503-4NA90-0C.0	1487	132	95.8	96.5	97.0	97.0	0.88	0.89	0.89	0.86	13807	2.25	0.60	4.7	45	565	o.r.
2450	1RN7 504-4NA90-0A.0	1488	152	96.1	96.6	96.9	96.8	0.88	0.88	0.85	0.77	15723	2.70	0.95	6.0	40	605	o.r.
2450	1RN7 504-4NA90-0C.0	1489	152	96.2	96.7	97.0	96.7	0.86	0.87	0.84	0.77	15712	2.40	0.55	4.9	49	695	o.r.
2600	1RN7 507-4NA90-0A.0	1485	156	95.9	96.6	97.1	97.2	0.89	0.90	0.89	0.87	16719	2.25	0.80	5.2	46	505	o.r.
2630	1RN7 507-4NA90-0C.0	1488	158	96.1	96.8	97.2	97.2	0.88	0.90	0.90	0.87	16878	2.30	0.60	4.8	56	770	o.r.
2850	1RN7 508-4NA90-0A.0	1487	172	96.2	96.7	97.2	97.2	0.89	0.90	0.89	0.85	18302	2.50	0.90	5.7	50	615	o.r.
2850	1RN7 508-4NA90-0C.0	1489	172	96.3	96.9	97.2	97.2	0.89	0.90	0.89	0.86	18278	2.40	0.65	5.2	62	740	o.r.
3180	1RN7 562-4NA90-0C.0	1496	196	96.2	96.7	97.2	97.2	0.86	0.88	0.87	0.84	20299	2.00	0.60	4.8	74	815	o.r.
3500	1RN7 563-4NA90-0C.0	1489	216	96.2	96.8	97.2	97.3	0.86	0.88	0.88	0.85	22446	2.00	0.60	4.9	80	840	o.r.
3900	1RN7 564-4NA90-0C.0	1490	237	96.4	96.9	97.4	97.4	0.87	0.89	0.89	0.87	24995	2.10	0.60	5.0	90	935	o.r.
4400	1RN7 566-4NA90-0C.0	1489	268	96.5	97.0	97.5	97.6	0.88	0.89	0.90	0.88	28218	2.05	0.60	4.9	100	1020	o.r.
4800	1RN7 567-4NA90-0C.0	1490	288	96.6	97.1	97.6	97.6	0.88	0.90	0.90	0.88	30763	2.10	0.65	5.1	110	1115	o.r.
5200	1RN7 568-4NA90-0C.0	1491	312	96.8	97.3	97.6	97.7	0.89	0.90	0.90	0.88	33304	2.25	0.70	5.5	119	1185	o.r.
5900	1RN8 633-4NA90-0C.0	1490	360	96.8	97.3	97.5	97.4	0.87	0.89	0.88	0.85	37813	2.15	0.50	5.2	151	740	o.r.
6400	1RN8 634-4NA90-0C.0	1491	390	96.8	97.3	97.5	97.3	0.88	0.89	0.88	0.85	40990	2.25	0.50	5.5	166	860	o.r.
7200	1RN8 637-4NA90-0C.0	1491	430	97.0	97.4	97.6	97.5	0.88	0.90	0.89	0.85	46113	2.35	0.60	5.6	182	860	o.r.
8200	1RN8 638-4NA90-0C.0	1491	495	97.1	97.5	97.7	97.5	0.88	0.89	0.88	0.85	52518	2.35	0.60	5.6	198	900	o.r.
8600	1RN8 712-4NA90-0C.0	1491	520	97.0	97.4	97.6	97.4	0.88	0.89	0.88	0.85	55080	2.35	0.50	5.6	259	870	o.r.
9300	1RN8 713-4NA90-0C.0	1492	560	97.1	97.5	97.7	97.5	0.89	0.90	0.89	0.86	59523	2.40	0.50	5.7	284	960	o.r.
10000	1RN8 714-4NA90-0C.0	1492	600	97.2	97.6	97.7	97.6	0.89	0.90	0.89	0.85	64003	2.55	0.55	6.0	312	1080	o.r.
11500	1RN8 717-4NA90-0C.0	1492	690	97.3	97.7	97.8	97.6	0.90	0.90	0.89	0.85	73604	2.60	0.55	6.0	346	1100	o.r.
11900	1RN8 718-4NA90-0C.0	1493	710	97.4	97.7	97.8	97.6	0.89	0.90	0.89	0.85	76113	2.60	0.55	6.0	364	1240	o.r.
6-pole: $n_{sync} = 1000$ rpm at 50 Hz																		
930	1RN7 452-6NA90-0A.0	990	62	94.1	95.1	95.5	95.6	0.83	0.83	0.79	0.68	8971	2.35	0.85	5.5	20	325	o.r.
1050	1RN7 453-6NA90-0A.0	991	70	94.4	95.2	95.6	95.5	0.83	0.83	0.76	0.64	10118	2.50	0.85	5.5	22	410	o.r.
1100	1RN7 453-6NA90-0C.0	990	71	94.3	95.2	95.7	95.8	0.84	0.85	0.81	0.73	10610	2.35	0.70	5.5	30	510	o.r.
1160	1RN7 454-6NA90-0A.0	991	77	94.6	95.4	95.8	95.7	0.84	0.83	0.77	0.66	11178	2.50	0.85	5.5	24	465	o.r.
1200	1RN7 454-6NA90-0C.0	990	78	94.5	95.4	95.9	96.0	0.85	0.85	0.82	0.74	11575	2.35	0.70	5.4	33	600	o.r.
1290	1RN7 457-6NA90-0A.0	991	84	94.8	95.6	96.0	96.0	0.84	0.84	0.80	0.70	12430	2.50	0.85	5.5	28	535	o.r.
1300	1RN7 457-6NA90-0C.0	990	83	94.8	95.6	96.1	96.2	0.86	0.86	0.83	0.76	12539	2.40	0.70	5.5	36	745	o.r.

Innomotics HV M - 1RN. IC81W 11000 V / 50 Hz B3 (IM 1001)																		
Rated power IEC	Article No.	Speed	Rated current I_R	Efficiency				Power factor				Torque T_R	Breakdown torque T_B/ T_R	Locked rotor torque T_{LR}/ T_R	Locked rotor current I_{LR}/ I_R	Inertia		
				5/4 load	4/4 load	3/4 load	2/4 load	5/4 load	4/4 load	3/4 load	2/4 load					motor	external	Startup max T/TR
kW		rpm	A	%	%	%	%	cos φ	cos φ	cos φ	cos φ	Nm	[-]	[-]	[-]	kgm ²	kgm ²	[-]
1400	1RN7 458-6NA90-0A.0	991	89	95.0	95.8	96.2	96.2	0.85	0.86	0.81	0.72	13490	2.50	0.90	5.7	31	610	o.r.
1420	1RN7 458-6NA90-0C.0	991	89	95.0	95.8	96.2	96.3	0.86	0.87	0.84	0.77	13683	2.45	0.70	5.5	41	805	o.r.
1650	1RN7 502-6NA90-0C.0	992	106	95.4	96.2	96.6	96.6	0.84	0.85	0.83	0.76	15883	2.25	0.70	4.6	54	930	o.r.
1550	1RN7 502-6NA90-0A.0	991	99	95.1	95.9	96.4	96.5	0.85	0.86	0.83	0.75	14936	2.20	0.90	4.7	42	630	o.r.
1850	1RN7 503-6NA90-0C.0	992	118	95.6	96.3	96.7	96.7	0.84	0.86	0.83	0.76	17809	2.30	0.75	4.7	60	1100	o.r.
1700	1RN7 503-6NA90-0A.0	991	108	95.2	96.0	96.5	96.7	0.85	0.86	0.84	0.77	16381	2.25	0.90	4.8	46	730	o.r.
1850	1RN7 504-6NA90-0A.0	991	118	95.5	96.2	96.6	96.7	0.85	0.86	0.83	0.75	17827	2.35	0.95	5.0	51	850	o.r.
2000	1RN7 504-6NA90-0C.0	992	126	95.8	96.4	96.8	96.8	0.85	0.86	0.83	0.76	19253	2.35	0.70	4.8	66	1300	o.r.
2240	1RN7 507-6NA90-0C.0	993	144	96.0	96.6	96.9	96.9	0.84	0.85	0.82	0.74	21541	2.40	0.70	4.8	74	1550	o.r.
2000	1RN7 507-6NA90-0A.0	992	126	95.7	96.4	96.7	96.8	0.86	0.86	0.83	0.74	19253	2.50	1.05	5.3	58	1000	o.r.
2240	1RN7 508-6NA90-0A.0	992	144	95.9	96.5	96.8	96.7	0.85	0.85	0.80	0.69	21563	2.70	1.10	5.7	63	1180	o.r.
2500	1RN7 561-6NA90-0C.0	992	160	95.7	96.3	96.6	96.5	0.84	0.85	0.84	0.78	24066	2.30	0.60	5.1	96	1060	o.r.
2900	1RN7 562-6NA90-0C.0	993	188	96.0	96.6	96.7	96.6	0.84	0.84	0.82	0.75	27888	2.40	0.65	5.3	105	1370	o.r.
3150	1RN7 563-6NA90-0C.0	993	200	96.1	96.6	96.8	96.7	0.84	0.85	0.83	0.75	30292	2.45	0.65	5.3	112	1280	o.r.
3550	1RN7 567-6NA90-0C.0	994	225	96.4	96.8	96.9	96.8	0.85	0.86	0.83	0.76	34105	2.60	0.70	5.7	134	1630	o.r.
3850	1RN7 568-6NA90-0C.0	994	240	96.5	97.0	97.1	96.9	0.86	0.86	0.84	0.78	36987	2.60	0.70	5.8	150	1890	o.r.
4450	1RN8 632-6NA90-0C.0	992	280	96.3	96.8	97.1	96.9	0.85	0.86	0.83	0.75	42837	2.30	0.60	5.2	193	2370	o.r.
4650	1RN8 633-6NA90-0C.0	992	295	96.4	96.9	97.2	96.9	0.85	0.86	0.83	0.75	44762	2.30	0.55	5.3	209	2660	o.r.
5200	1RN8 634-6NA90-0C.0	992	325	96.5	97.0	97.3	97.1	0.85	0.87	0.84	0.78	50057	2.20	0.55	5.1	227	2800	o.r.
5600	1RN8 637-6NA90-0C.0	992	350	96.5	97.0	97.3	97.2	0.85	0.87	0.85	0.78	53907	2.20	0.56	5.2	247	3110	o.r.
6100	1RN8 638-6NA90-0C.0	992	380	96.6	97.1	97.4	97.2	0.86	0.87	0.85	0.78	58720	2.25	0.55	5.2	265	3300	o.r.
6600	1RN8 712-6NA90-0C.0	993	410	96.8	97.3	97.5	97.4	0.85	0.87	0.85	0.79	63470	2.20	0.55	5.2	331	2710	o.r.
7250	1RN8 713-6NA90-0C.0	994	450	97.0	97.4	97.6	97.5	0.86	0.87	0.85	0.79	69650	2.35	0.60	5.5	374	3180	o.r.
8250	1RN8 714-6NA90-0C.0	994	500	97.1	97.5	97.7	97.5	0.87	0.88	0.85	0.79	79257	2.40	0.60	5.5	424	3530	o.r.
9350	1RN8 717-6NA90-0C.0	994	570	97.1	97.6	97.8	97.6	0.87	0.88	0.86	0.80	89825	2.35	0.55	5.5	478	3930	o.r.
10400	1RN8 718-6NA90-0C.0	995	640	97.3	97.6	97.8	97.6	0.86	0.87	0.84	0.76	99812	2.45	0.55	5.5	522	4410	o.r.
8-pole: $n_{sync} = 750$ rpm at 50 Hz																		
580	1RN7 451-8NA90-0A.0	743	43	93.5	94.4	94.5	94.0	0.78	0.75	0.66	0.49	7454	2.50	0.80	5.5	23	500	o.r.
620	1RN7 451-8NA90-0C.0	743	44	93.5	94.5	94.8	94.4	0.81	0.79	0.71	0.56	7968	2.70	0.75	5.5	30	560	o.r.
680	1RN7 452-8NA90-0A.0	743	48	93.5	94.6	94.9	94.7	0.80	0.78	0.71	0.56	8740	2.50	0.80	5.5	25	510	o.r.
700	1RN7 452-8NA90-0C.0	743	48	93.6	94.7	95.1	94.9	0.82	0.80	0.74	0.60	8997	2.60	0.70	5.5	32	630	o.r.
800	1RN7 453-8NA90-0A.0	743	57	94.0	94.9	95.2	94.9	0.79	0.78	0.69	0.53	10282	2.50	0.85	5.5	28	730	o.r.
800	1RN7 453-8NA90-0C.0	743	55	94.2	95.1	95.4	95.1	0.81	0.80	0.72	0.57	10282	2.70	0.75	5.5	36	1000	o.r.
860	1RN7 454-8NA90-0A.0	743	60	94.2	95.1	95.4	95.2	0.81	0.79	0.72	0.57	11053	2.45	0.85	5.5	31	800	o.r.
880	1RN7 454-8NA90-0C.0	743	60	94.3	95.2	95.5	95.4	0.82	0.81	0.75	0.61	11310	2.70	0.75	5.5	40	1000	o.r.
940	1RN7 457-8NA90-0A.0	743	65	94.3	95.2	95.6	95.5	0.82	0.80	0.74	0.61	12081	2.40	0.85	5.5	35	920	o.r.
950	1RN7 457-8NA90-0C.0	743	64	94.4	95.3	95.7	95.5	0.83	0.82	0.76	0.63	12210	2.70	0.75	5.5	45	1200	o.r.

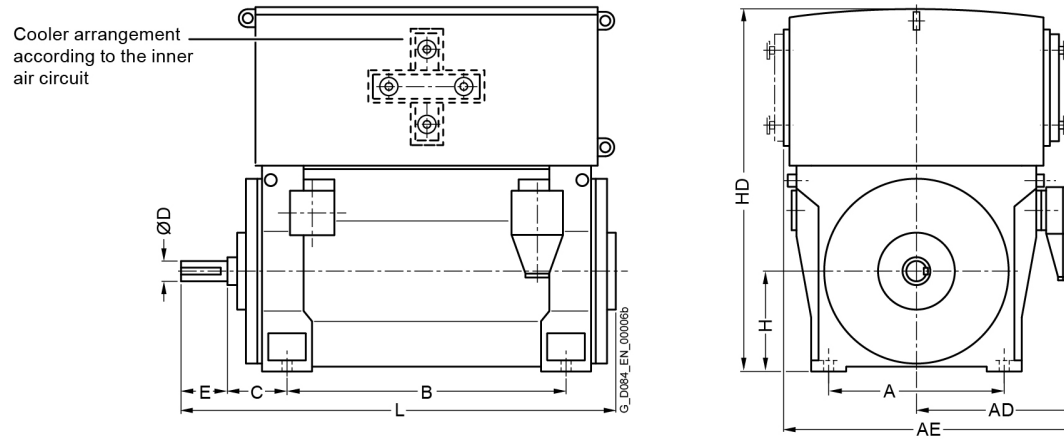
Innomotics HV M - 1RN. IC81W 11000 V / 50 Hz B3 (IM 1001)																			
Rated power IEC	Article No.	Speed	Rated current I_R	Efficiency				Power factor				Torque T_R	Breakdown torque T_B/ T_R	Locked torque T_{LR}/ T_R	Locked rotor current I_{LR}/ I_R	Inertia			
				5/4 load	4/4 load	3/4 load	2/4 load	5/4 load	4/4 load	3/4 load	2/4 load					motor	external	Startup max T/TR	
kW		rpm	A	%	%	%	%	$\cos \varphi$	$\cos \varphi$	$\cos \varphi$	$\cos \varphi$	Nm	[-]	[-]	[-]	kgm ²	kgm ²	[-]	
1020	1RN7 458-8NA90-0A.0	743	69	94.4	95.4	95.7	95.6	0.82	0.81	0.75	0.61	13109	2.40	0.85	5.5	39	1050	o.r.	
1030	1RN7 458-8NA90-0C.0	743	69	94.6	95.5	95.8	95.6	0.83	0.82	0.76	0.64	13238	2.75	0.80	5.6	50	1350	o.r.	
1120	1RN7 502-8NA90-0A.0	744	77	95.1	95.7	96.2	96.2	0.81	0.80	0.78	0.69	14375	2.25	0.80	4.5	46	1370	o.r.	
1200	1RN7 502-8NA90-0C.0	743	81	95.0	95.7	96.2	96.2	0.82	0.81	0.78	0.70	15423	2.25	0.60	4.2	59	2010	o.r.	
1220	1RN7 503-8NA90-0A.0	743	81	95.1	95.8	96.3	96.4	0.82	0.83	0.79	0.71	15680	2.15	0.75	4.4	51	1440	o.r.	
1360	1RN7 503-8NA90-0C.0	743	90	95.0	95.8	96.3	96.4	0.82	0.83	0.80	0.72	17479	2.15	0.55	4.0	65	1910	o.r.	
1480	1RN7 504-8NA90-0A.0	743	99	95.2	96.0	96.4	96.5	0.82	0.82	0.79	0.70	19021	2.15	0.80	4.3	56	1760	o.r.	
1500	1RN7 504-8NA90-0C.0	743	99	95.2	96.0	96.5	96.6	0.82	0.83	0.80	0.73	19279	2.15	0.55	4.1	72	2190	o.r.	
1640	1RN7 507-8NA90-0A.0	743	108	95.4	96.1	96.5	96.6	0.82	0.83	0.79	0.71	21078	2.15	0.80	4.4	63	2030	o.r.	
1700	1RN7 507-8NA90-0C.0	743	110	95.3	96.1	96.6	96.7	0.82	0.84	0.81	0.73	21849	2.15	0.60	4.1	80	2360	o.r.	
1780	1RN7 508-8NA90-0A.0	744	118	95.6	96.2	96.5	96.5	0.82	0.82	0.77	0.68	22846	2.30	0.90	4.7	69	2270	o.r.	
1820	1RN7 508-8NA90-0C.0	743	120	95.6	96.2	96.6	96.6	0.83	0.83	0.80	0.71	23391	2.35	0.65	4.4	88	2710	o.r.	
2000	1RN7 563-8NA90-0C.0	744	134	95.5	96.0	96.5	96.3	0.82	0.82	0.80	0.73	25670	2.10	0.60	4.6	124	2685	o.r.	
2240	1RN7 564-8NA90-0C.0	744	150	95.6	96.1	96.5	96.3	0.82	0.82	0.80	0.72	28751	2.20	0.60	4.8	137	2725	o.r.	
2500	1RN7 567-8NA90-0C.0	744	164	95.8	96.3	96.8	96.6	0.82	0.83	0.81	0.75	32088	2.05	0.60	4.5	150	3865	o.r.	
2800	1RN7 568-8NA90-0C.0	744	184	95.9	96.4	96.9	96.7	0.82	0.83	0.81	0.75	35938	2.05	0.55	4.5	165	5105	o.r.	
3100	1RN8 633-8NA90-0C.0	743	200	95.4	96.1	96.3	96.1	0.84	0.85	0.81	0.74	39842	2.00	0.45	4.5	216	2690	o.r.	
3500	1RN8 634-8NA90-0C.0	744	225	95.6	96.2	96.4	96.1	0.85	0.85	0.81	0.73	44923	2.10	0.50	4.5	251	2830	o.r.	
4000	1RN8 637-8NA90-0C.0	744	255	96.0	96.5	96.5	96.2	0.85	0.85	0.81	0.72	51340	2.30	0.50	5.0	292	5000	o.r.	
4250	1RN8 638-8NA90-0C.0	744	270	96.2	96.6	96.7	96.3	0.86	0.86	0.81	0.72	54549	2.40	0.55	5.2	326	6200	o.r.	
4300	1RN8 712-8NA90-0C.0	746	275	96.2	96.6	96.6	96.2	0.86	0.85	0.80	0.69	55043	2.60	0.60	5.5	422	2890	o.r.	
4850	1RN8 713-8NA90-0C.0	746	310	96.4	96.7	96.7	96.2	0.86	0.85	0.79	0.68	62083	2.55	0.60	5.4	471	3510	o.r.	
5550	1RN8 714-8NA90-0C.0	746	355	96.5	96.8	96.8	96.3	0.86	0.85	0.79	0.68	71044	2.60	0.60	5.5	538	3900	o.r.	
6500	1RN8 717-8NA90-0C.0	746	415	96.7	97.0	96.9	96.5	0.86	0.85	0.79	0.69	83204	2.60	0.50	5.5	615	5400	o.r.	
6700	1RN8 718-8NA90-0C.0	746	430	96.8	97.1	96.9	96.4	0.85	0.84	0.78	0.67	85764	2.60	0.50	5.4	674	6570	o.r.	



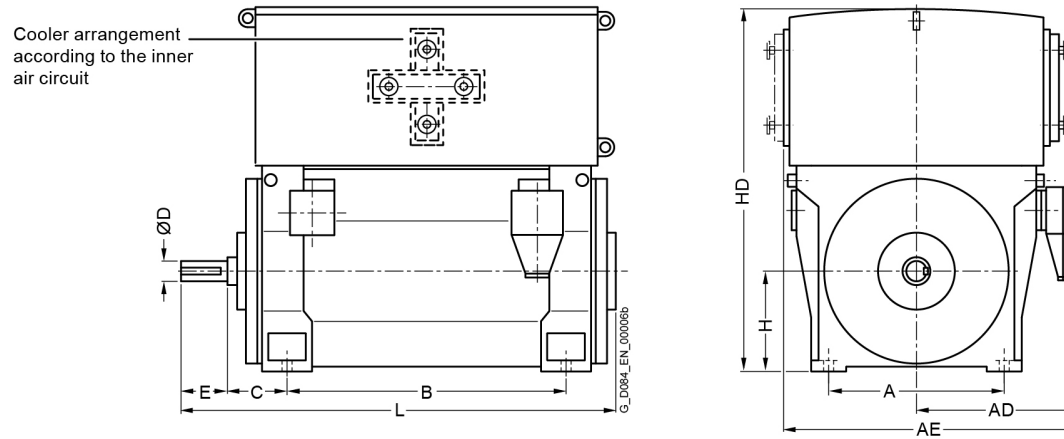
Motor type	Weight	Dimensions											
		A	AD	AE	B	C	D	E	H	HD	L	ML	
	kg	mm	mm	mm	mm	mm	mm	mm	mm	mm	mm	mm	mm
Innomotics HV M - 1RN. IC81W 11000 V / 50 Hz B3 (IM 1001) - Dimension drawings													
2-pole													
1RN7 452-2NA90-0AA0	4100	850	1140	1760	1180	250	95	130	450	1650	1840	o.r.	
1RN7 452-2NA90-0AC0	4000	850	1140	1760	1180	475	95	130	450	1650	2270	o.r.	
1RN7 453-2NA90-0AA0	4200	850	1140	1760	1180	250	95	130	450	1650	1840	o.r.	
1RN7 453-2NA90-0AC0	4100	850	1140	1760	1180	475	95	130	450	1650	2270	o.r.	
1RN7 453-2NA90-0CA0	4350	850	1140	1760	1180	250	95	130	450	1650	1840	o.r.	
1RN7 453-2NA90-0CC0	4250	850	1140	1760	1180	475	95	130	450	1650	2270	o.r.	
1RN7 454-2NA90-0AA0	4350	850	1140	1760	1180	250	95	130	450	1650	1840	o.r.	
1RN7 454-2NA90-0AC0	4250	850	1140	1760	1180	475	95	130	450	1650	2270	o.r.	
1RN7 454-2NA90-0CA0	4450	850	1140	1760	1180	250	95	130	450	1650	1840	o.r.	
1RN7 454-2NA90-0CC0	4350	850	1140	1760	1180	475	95	130	450	1650	2270	o.r.	
1RN7 457-2NA90-0AA0	4700	850	1140	1760	1400	250	95	130	450	1650	2050	o.r.	
1RN7 457-2NA90-0AC0	4600	850	1140	1760	1400	475	95	130	450	1650	2480	o.r.	
1RN7 457-2NA90-0CA0	4850	850	1140	1760	1400	250	95	130	450	1650	2050	o.r.	
1RN7 457-2NA90-0CC0	4750	850	1140	1760	1400	475	95	130	450	1650	2480	o.r.	
1RN7 458-2NA90-0AA0	4900	850	1140	1760	1400	250	95	130	450	1650	2050	o.r.	
1RN7 458-2NA90-0AC0	4800	850	1140	1760	1400	475	95	130	450	1650	2480	o.r.	
1RN7 458-2NA90-0CA0	5050	850	1140	1760	1400	250	95	130	450	1650	2050	o.r.	
1RN7 458-2NA90-0CC0	4950	850	1140	1760	1400	475	95	130	450	1650	2480	o.r.	
1RN7 503-2NA90-0CA0	5850	950	1220	1920	1320	250	110	165	500	1790	1960	o.r.	
1RN7 503-2NA90-0CC0	5750	950	1220	1920	1320	530	120	165	500	1790	2510	o.r.	
1RN7 503-2NA90-0AA0	5700	950	1220	1920	1320	250	110	165	500	1790	1960	o.r.	
1RN7 503-2NA90-0AC0	5650	950	1220	1920	1320	530	120	165	500	1790	2510	o.r.	



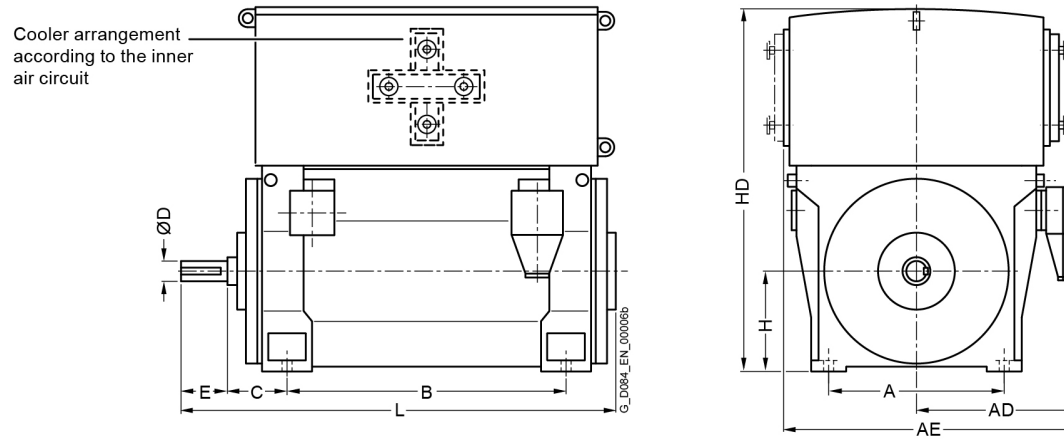
Motor type	Weight kg	Dimensions										
		A mm	AD mm	AE mm	B mm	C mm	D mm	E mm	H mm	HD mm	L mm	ML mm
Innomotics HV M - 1RN. IC81W 11000 V / 50 Hz B3 (IM 1001) - Dimension drawings												
1RN7 504-2NA90-0CA0	5950	950	1220	1920	1320	250	110	165	500	1790	1960	o.r.
1RN7 504-2NA90-0CC0	5900	950	1220	1920	1320	530	120	165	500	1790	2510	o.r.
1RN7 504-2NA90-0AA0	5800	950	1220	1920	1320	250	110	165	500	1790	1960	o.r.
1RN7 504-2NA90-0AC0	5750	950	1220	1920	1320	530	120	165	500	1790	2510	o.r.
1RN7 507-2NA90-0CA0	6600	950	1220	1920	1500	250	110	165	500	1790	2170	o.r.
1RN7 507-2NA90-0CC0	6550	950	1220	1920	1500	530	120	165	500	1790	2720	o.r.
1RN7 507-2NA90-0AA0	6400	950	1220	1920	1500	250	110	165	500	1790	2170	o.r.
1RN7 507-2NA90-0AC0	6350	950	1220	1920	1500	530	120	165	500	1790	2720	o.r.
1RN7 508-2NA90-0CA0	6950	950	1220	1920	1500	250	110	165	500	1790	2170	o.r.
1RN7 508-2NA90-0CC0	6900	950	1220	1920	1500	530	120	165	500	1790	2720	o.r.
1RN7 508-2NA90-0AA0	6750	950	1220	1920	1500	250	110	165	500	1790	2170	o.r.
1RN7 508-2NA90-0AC0	6700	950	1220	1920	1500	530	120	165	500	1790	2720	o.r.
1RN7 562-2NA90-0CC0	7550	1060	1290	2060	1400	600	150	200	560	1970	2810	o.r.
1RN7 563-2NA90-0CC0	7800	1060	1290	2060	1400	600	150	200	560	1970	2810	o.r.
1RN7 564-2NA90-0CC0	8050	1060	1290	2060	1400	600	150	200	560	1970	2810	o.r.
1RN7 567-2NA90-0CC0	8900	1060	1290	2060	1600	600	150	200	560	1970	3040	o.r.
1RN7 568-2NA90-0CC0	9400	1060	1290	2060	1600	600	150	200	560	1970	3040	o.r.
1RN8 632-2NA90-0CJ0	9150	1320	1520	2520	1600	560	160	240	630	2250	2890	o.r.
1RN8 633-2NA90-0CJ0	9700	1320	1520	2520	1600	560	160	240	630	2250	2890	o.r.
1RN8 634-2NA90-0CJ0	10100	1320	1520	2520	1600	560	160	240	630	2250	2890	o.r.
1RN8 637-2NA90-0CJ0	11000	1320	1520	2520	1800	560	160	240	630	2250	3090	o.r.
1RN8 638-2NA90-0CJ0	11550	1320	1520	2520	1800	560	160	240	630	2250	3090	o.r.
1RN8 712-2NA90-0CJ0	13050	1500	1620	2720	2000	560	180	240	710	2550	3280	o.r.



Motor type	Weight	Dimensions										
		A	AD	AE	B	C	D	E	H	HD	L	ML
	kg	mm	mm	mm	mm	mm	mm	mm	mm	mm	mm	mm
Innomotics HV M - 1RN. IC81W 11000 V / 50 Hz B3 (IM 1001) - Dimension drawings												
1RN8 713-2NA90-0CJ0	13500	1500	1620	2720	2000	560	180	240	710	2550	3280	o.r.
1RN8 714-2NA90-0CJ0	14150	1500	1620	2720	2000	560	180	240	710	2550	3280	o.r.
1RN8 716-2NA90-0CJ0	15200	1500	1620	2720	2240	560	180	240	710	2460	3520	o.r.
1RN8 717-2NA90-0CJ0	16050	1500	1620	2720	2240	560	180	240	710	2460	3520	o.r.
1RN8 718-2NA90-0CJ0	17300	1500	1620	2720	2240	560	180	240	710	2460	3520	o.r.
4-pole												
1RN7 453-4NA90-0CA0	4400	850	1140	1760	1180	250	130	200	450	1740	1920	o.r.
1RN7 453-4NA90-0CC0	4450	850	1140	1760	1180	500	130	200	450	1740	2390	o.r.
1RN7 453-4NA90-0AA0	4300	850	1140	1760	1180	250	130	200	450	1740	1920	o.r.
1RN7 453-4NA90-0AC0	4300	850	1140	1760	1180	500	130	200	450	1740	2390	o.r.
1RN7 454-4NA90-0AA0	4450	850	1140	1760	1180	250	130	200	450	1740	1920	o.r.
1RN7 454-4NA90-0AC0	4450	850	1140	1760	1180	500	130	200	450	1740	2390	o.r.
1RN7 454-4NA90-0CA0	4600	850	1140	1760	1180	250	130	200	450	1740	1920	o.r.
1RN7 454-4NA90-0CC0	4600	850	1140	1760	1180	500	130	200	450	1740	2390	o.r.
1RN7 457-4NA90-0AA0	5050	850	1140	1760	1400	250	130	200	450	1740	2130	o.r.
1RN7 457-4NA90-0AC0	5050	850	1140	1760	1400	500	130	200	450	1740	2600	o.r.
1RN7 457-4NA90-0CA0	5200	850	1140	1760	1400	250	130	200	450	1740	2130	o.r.
1RN7 457-4NA90-0CC0	5200	850	1140	1760	1400	500	130	200	450	1740	2600	o.r.
1RN7 458-4NA90-0AA0	5250	850	1140	1760	1400	250	130	200	450	1740	2130	o.r.
1RN7 458-4NA90-0AC0	5250	850	1140	1760	1400	500	130	200	450	1740	2600	o.r.
1RN7 458-4NA90-0CA0	5400	850	1140	1760	1400	250	130	200	450	1740	2130	o.r.
1RN7 458-4NA90-0CC0	5450	850	1140	1760	1400	500	130	200	450	1740	2600	o.r.
1RN7 503-4NA90-0AA0	6000	950	1220	1920	1320	315	160	240	500	1790	2180	o.r.

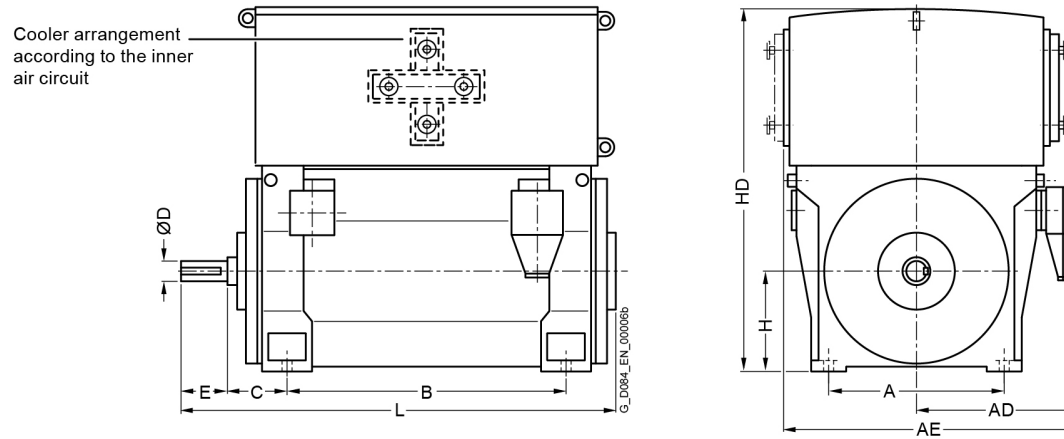


Motor type	Weight	Dimensions										
		A	AD	AE	B	C	D	E	H	HD	L	ML
	kg	mm	mm	mm	mm	mm	mm	mm	mm	mm	mm	mm
Innomotics HV M - 1RN. IC81W 11000 V / 50 Hz B3 (IM 1001) - Dimension drawings												
1RN7 503-4NA90-0AC0	6050	950	1220	1920	1320	560	170	240	500	1790	2620	o.r.
1RN7 503-4NA90-0CA0	6150	950	1220	1920	1320	315	160	240	500	1790	2180	o.r.
1RN7 503-4NA90-0CC0	6200	950	1220	1920	1320	560	170	240	500	1790	2620	o.r.
1RN7 504-4NA90-0AA0	6250	950	1220	1920	1320	315	160	240	500	1790	2180	o.r.
1RN7 504-4NA90-0AC0	6350	950	1220	1920	1320	560	170	240	500	1790	2620	o.r.
1RN7 504-4NA90-0CA0	6400	950	1220	1920	1320	315	160	240	500	1790	2180	o.r.
1RN7 504-4NA90-0CC0	6500	950	1220	1920	1320	560	170	240	500	1790	2620	o.r.
1RN7 507-4NA90-0AA0	6900	950	1220	1920	1500	315	160	240	500	1790	2390	o.r.
1RN7 507-4NA90-0AC0	6950	950	1220	1920	1500	560	170	240	500	1790	2830	o.r.
1RN7 507-4NA90-0CA0	7050	950	1220	1920	1500	315	160	240	500	1790	2390	o.r.
1RN7 507-4NA90-0CC0	7150	950	1220	1920	1500	560	170	240	500	1790	2830	o.r.
1RN7 508-4NA90-0AA0	7200	950	1220	1920	1500	315	160	240	500	1790	2390	o.r.
1RN7 508-4NA90-0AC0	7250	950	1220	1920	1500	560	170	240	500	1790	2830	o.r.
1RN7 508-4NA90-0CA0	7400	950	1220	1920	1500	315	160	240	500	1790	2390	o.r.
1RN7 508-4NA90-0CC0	7450	950	1220	1920	1500	560	170	240	500	1790	2830	o.r.
1RN7 562-4NA90-0CA0	7650	1060	1290	2060	1400	335	190	280	560	1970	2390	o.r.
1RN7 562-4NA90-0CC0	7750	1060	1290	2060	1400	600	190	280	560	1970	2850	o.r.
1RN7 563-4NA90-0CA0	7900	1060	1290	2060	1400	335	190	280	560	1970	2390	o.r.
1RN7 563-4NA90-0CC0	7950	1060	1290	2060	1400	600	190	280	560	1970	2850	o.r.
1RN7 564-4NA90-0CA0	8350	1060	1290	2060	1400	335	190	280	560	1970	2390	o.r.
1RN7 564-4NA90-0CC0	8400	1060	1290	2060	1400	600	190	280	560	1970	2850	o.r.
1RN7 566-4NA90-0CA0	9150	1060	1290	2060	1600	335	190	280	560	1970	2620	o.r.
1RN7 566-4NA90-0CC0	9200	1060	1290	2060	1600	600	190	280	560	1970	3080	o.r.

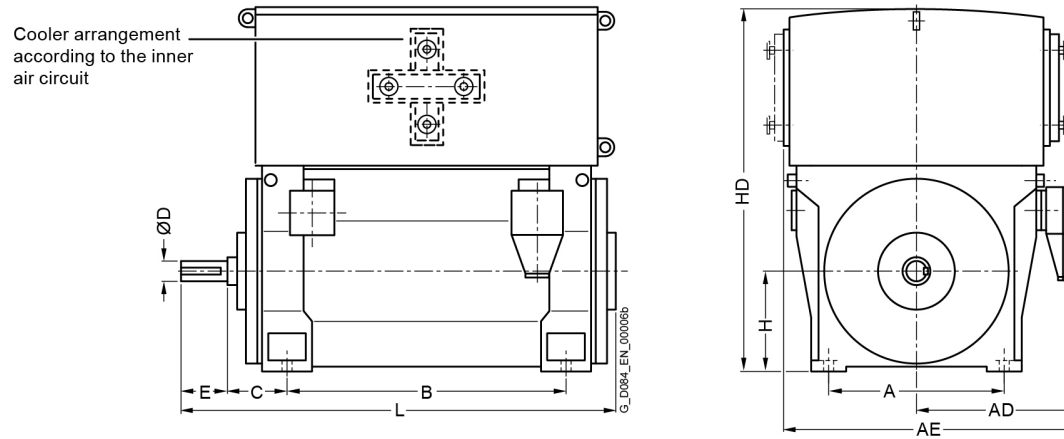


Motor type	Weight kg	Dimensions										
		A mm	AD mm	AE mm	B mm	C mm	D mm	E mm	H mm	HD mm	L mm	ML mm
Innomotics HV M - 1RN. IC81W 11000 V / 50 Hz B3 (IM 1001) - Dimension drawings												
1RN7 567-4NA90-0CA0	9600	1060	1290	2060	1600	335	190	280	560	1970	2620	o.r.
1RN7 567-4NA90-0CC0	9650	1060	1290	2060	1600	600	190	280	560	1970	3080	o.r.
1RN7 568-4NA90-0CA0	10000	1060	1290	2060	1600	335	190	280	560	1970	2620	o.r.
1RN7 568-4NA90-0CC0	10100	1060	1290	2060	1600	600	190	280	560	1970	3080	o.r.
1RN8 633-4NA90-0CG0	10400	1320	1520	2520	1600	375	200	280	630	2250	2610	o.r.
1RN8 633-4NA90-0CJ0	10500	1320	1520	2520	1600	630	200	280	630	2250	3090	o.r.
1RN8 634-4NA90-0CG0	10800	1320	1520	2520	1600	375	200	280	630	2250	2610	o.r.
1RN8 634-4NA90-0CJ0	10900	1320	1520	2520	1600	630	200	280	630	2250	3090	o.r.
1RN8 637-4NA90-0CG0	11700	1320	1520	2520	1800	375	200	280	630	2250	2810	o.r.
1RN8 637-4NA90-0CJ0	11800	1320	1520	2520	1800	630	200	280	630	2250	3290	o.r.
1RN8 638-4NA90-0CG0	12300	1320	1520	2520	1800	375	200	280	630	2250	2810	o.r.
1RN8 638-4NA90-0CJ0	12400	1320	1520	2520	1800	630	200	280	630	2250	3290	o.r.
1RN8 712-4NA90-0CG0	14000	1500	1620	2720	2000	375	220	280	710	2550	3010	o.r.
1RN8 712-4NA90-0CJ0	14100	1500	1620	2720	2000	630	220	280	710	2550	3480	o.r.
1RN8 713-4NA90-0CG0	14700	1500	1620	2720	2000	375	220	280	710	2550	3010	o.r.
1RN8 713-4NA90-0CJ0	14850	1500	1620	2720	2000	630	220	280	710	2550	3480	o.r.
1RN8 714-4NA90-0CG0	15400	1500	1620	2720	2000	375	220	280	710	2550	3010	o.r.
1RN8 714-4NA90-0CJ0	15500	1500	1620	2720	2000	630	220	280	710	2550	3480	o.r.
1RN8 717-4NA90-0CG0	16650	1500	1620	2720	2240	375	220	280	710	2460	3250	o.r.
1RN8 717-4NA90-0CJ0	16800	1500	1620	2720	2240	630	220	280	710	2460	3720	o.r.
1RN8 718-4NA90-0CG0	17200	1500	1620	2720	2240	375	220	280	710	2460	3250	o.r.
1RN8 718-4NA90-0CJ0	17350	1500	1620	2720	2240	630	220	280	710	2460	3720	o.r.

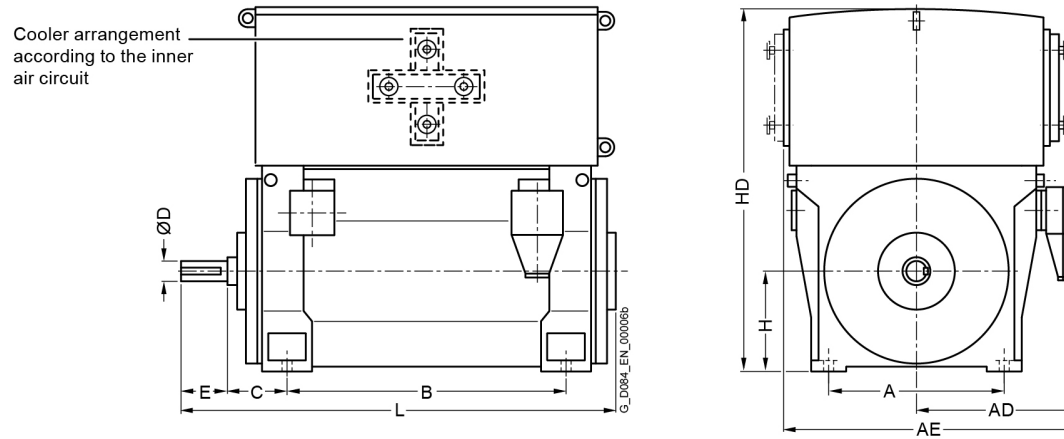
6-pole



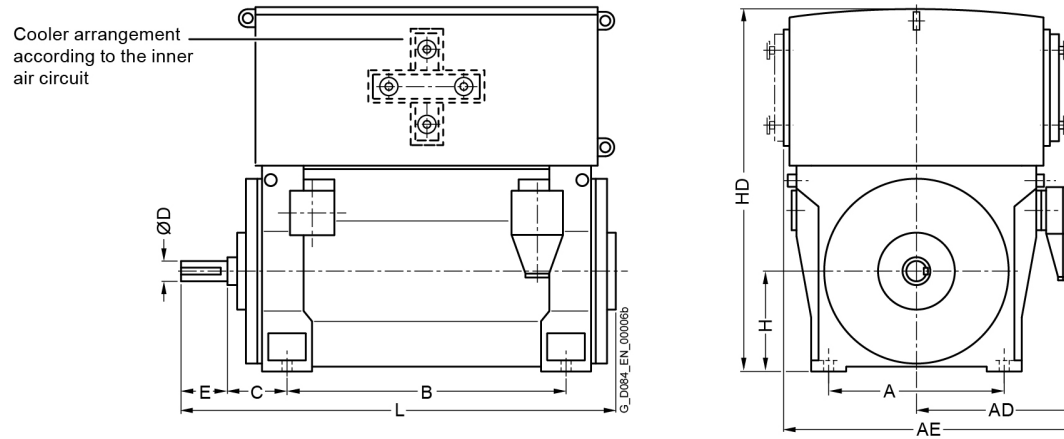
Motor type	Weight	Dimensions										
		A	AD	AE	B	C	D	E	H	HD	L	ML
	kg	mm	mm	mm	mm	mm	mm	mm	mm	mm	mm	mm
Innomotics HV M - 1RN. IC81W 11000 V / 50 Hz B3 (IM 1001) - Dimension drawings												
1RN7 452-6NA90-0AA0	4150	850	1140	1760	1180	250	130	200	450	1740	1920	o.r.
1RN7 452-6NA90-0AC0	4200	850	1140	1760	1180	500	130	200	450	1740	2390	o.r.
1RN7 453-6NA90-0AA0	4300	850	1140	1760	1180	250	130	200	450	1740	1920	o.r.
1RN7 453-6NA90-0AC0	4350	850	1140	1760	1180	500	130	200	450	1740	2390	o.r.
1RN7 453-6NA90-0CA0	4450	850	1140	1760	1180	250	130	200	450	1740	1920	o.r.
1RN7 453-6NA90-0CC0	4500	850	1140	1760	1180	500	130	200	450	1740	2390	o.r.
1RN7 454-6NA90-0AA0	4500	850	1140	1760	1180	250	130	200	450	1740	1920	o.r.
1RN7 454-6NA90-0AC0	4500	850	1140	1760	1180	500	130	200	450	1740	2390	o.r.
1RN7 454-6NA90-0CA0	4650	850	1140	1760	1180	250	130	200	450	1740	1920	o.r.
1RN7 454-6NA90-0CC0	4700	850	1140	1760	1180	500	130	200	450	1740	2390	o.r.
1RN7 457-6NA90-0AA0	4950	850	1140	1760	1400	250	130	200	450	1740	2130	o.r.
1RN7 457-6NA90-0AC0	4950	850	1140	1760	1400	500	130	200	450	1740	2600	o.r.
1RN7 457-6NA90-0CA0	5100	850	1140	1760	1400	250	130	200	450	1740	2130	o.r.
1RN7 457-6NA90-0CC0	5150	850	1140	1760	1400	500	130	200	450	1740	2600	o.r.
1RN7 458-6NA90-0AA0	5200	850	1140	1760	1400	250	130	200	450	1740	2130	o.r.
1RN7 458-6NA90-0AC0	5250	850	1140	1760	1400	500	130	200	450	1740	2600	o.r.
1RN7 458-6NA90-0CA0	5400	850	1140	1760	1400	250	130	200	450	1740	2130	o.r.
1RN7 458-6NA90-0CC0	5450	850	1140	1760	1400	500	130	200	450	1740	2600	o.r.
1RN7 502-6NA90-0CA0	6150	950	1220	1920	1320	315	160	240	500	1910	2180	o.r.
1RN7 502-6NA90-0CC0	6200	950	1220	1920	1320	560	170	240	500	1910	2620	o.r.
1RN7 502-6NA90-0AA0	5950	950	1220	1920	1320	315	160	240	500	1910	2180	o.r.
1RN7 502-6NA90-0AC0	6000	950	1220	1920	1320	560	170	240	500	1910	2620	o.r.
1RN7 503-6NA90-0CA0	6400	950	1220	1920	1320	315	160	240	500	1910	2180	o.r.



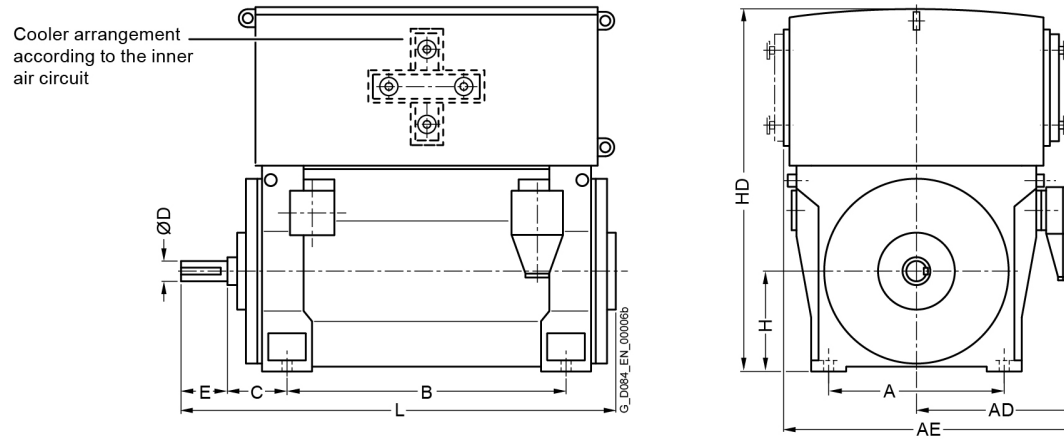
Motor type	Weight	Dimensions											
		A	AD	AE	B	C	D	E	H	HD	L	ML	
	kg	mm	mm	mm	mm	mm	mm	mm	mm	mm	mm	mm	mm
Innomotics HV M - 1RN. IC81W 11000 V / 50 Hz B3 (IM 1001) - Dimension drawings													
1RN7 503-6NA90-OCC0	6450	950	1220	1920	1320	560	170	240	500	1910	2620	o.r.	
1RN7 503-6NA90-OAA0	6200	950	1220	1920	1320	315	160	240	500	1910	2180	o.r.	
1RN7 503-6NA90-OAC0	6250	950	1220	1920	1320	560	170	240	500	1910	2620	o.r.	
1RN7 504-6NA90-OAA0	6450	950	1220	1920	1320	315	160	240	500	1910	2180	o.r.	
1RN7 504-6NA90-OAC0	6500	950	1220	1920	1320	560	170	240	500	1910	2620	o.r.	
1RN7 504-6NA90-OCA0	6700	950	1220	1920	1320	315	160	240	500	1910	2180	o.r.	
1RN7 504-6NA90-OCC0	6750	950	1220	1920	1320	560	170	240	500	1910	2620	o.r.	
1RN7 507-6NA90-OCA0	7350	950	1220	1920	1500	315	160	240	500	1910	2390	o.r.	
1RN7 507-6NA90-OCC0	7400	950	1220	1920	1500	560	170	240	500	1910	2830	o.r.	
1RN7 507-6NA90-OAA0	7100	950	1220	1920	1500	315	160	240	500	1910	2390	o.r.	
1RN7 507-6NA90-OAC0	7150	950	1220	1920	1500	560	170	240	500	1910	2830	o.r.	
1RN7 508-6NA90-OAA0	7400	950	1220	1920	1500	315	160	240	500	1910	2390	o.r.	
1RN7 508-6NA90-OAC0	7450	950	1220	1920	1500	560	170	240	500	1910	2830	o.r.	
1RN7 561-6NA90-OCA0	7900	1060	1290	2060	1400	335	190	280	560	2110	2390	o.r.	
1RN7 561-6NA90-OCC0	7950	1060	1290	2060	1400	600	190	280	560	2110	2850	o.r.	
1RN7 562-6NA90-OCA0	8250	1060	1290	2060	1400	335	190	280	560	2110	2390	o.r.	
1RN7 562-6NA90-OCC0	8300	1060	1290	2060	1400	600	190	280	560	2110	2850	o.r.	
1RN7 563-6NA90-OCA0	8500	1060	1290	2060	1400	335	190	280	560	2110	2390	o.r.	
1RN7 563-6NA90-OCC0	8600	1060	1290	2060	1400	600	190	280	560	2110	2850	o.r.	
1RN7 567-6NA90-OCA0	9700	1060	1290	2060	1600	335	190	280	560	2110	2620	o.r.	
1RN7 567-6NA90-OCC0	9750	1060	1290	2060	1600	600	190	280	560	2110	3080	o.r.	
1RN7 568-6NA90-OCA0	10300	1060	1290	2060	1600	335	190	280	560	2110	2620	o.r.	
1RN7 568-6NA90-OCC0	10350	1060	1290	2060	1600	600	190	280	560	2110	3080	o.r.	



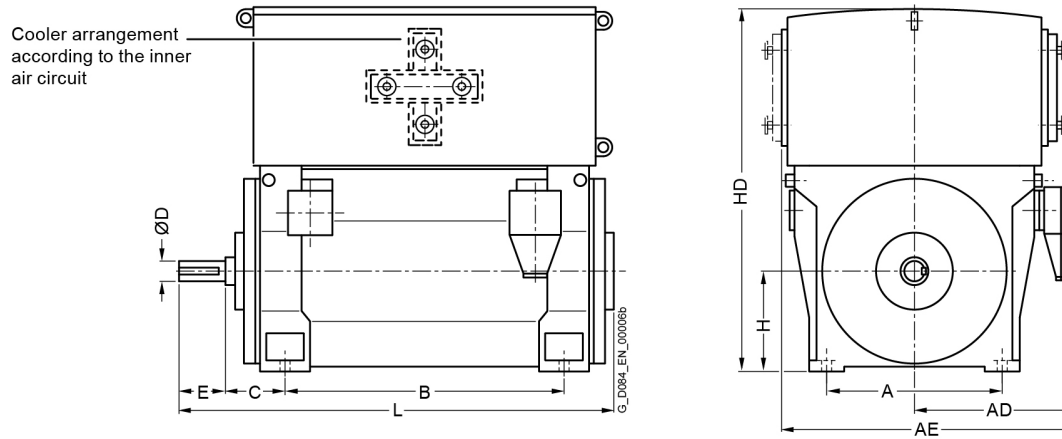
Motor type	Weight kg	Dimensions										
		A mm	AD mm	AE mm	B mm	C mm	D mm	E mm	H mm	HD mm	L mm	ML mm
Innomotics HV M - 1RN. IC81W 11000 V / 50 Hz B3 (IM 1001) - Dimension drawings												
1RN8 632-6NA90-0CG0	10300	1320	1520	2520	1600	375	200	280	630	2250	2610	o.r.
1RN8 632-6NA90-0CJ0	10400	1320	1520	2520	1600	630	200	280	630	2250	3090	o.r.
1RN8 633-6NA90-0CG0	10750	1320	1520	2520	1600	375	200	280	630	2250	2610	o.r.
1RN8 633-6NA90-0CJ0	10850	1320	1520	2520	1600	630	200	280	630	2250	3090	o.r.
1RN8 634-6NA90-0CG0	11250	1320	1520	2520	1600	375	200	280	630	2250	2610	o.r.
1RN8 634-6NA90-0CJ0	11400	1320	1520	2520	1600	630	200	280	630	2250	3090	o.r.
1RN8 637-6NA90-0CG0	12000	1320	1520	2520	1800	375	200	280	630	2250	2810	o.r.
1RN8 637-6NA90-0CJ0	12150	1320	1520	2520	1800	630	200	280	630	2250	3290	o.r.
1RN8 638-6NA90-0CG0	12550	1320	1520	2520	1800	375	200	280	630	2250	2810	o.r.
1RN8 638-6NA90-0CJ0	12650	1320	1520	2520	1800	630	200	280	630	2250	3290	o.r.
1RN8 712-6NA90-0CG0	13950	1500	1620	2720	2000	375	220	280	710	2550	3010	o.r.
1RN8 712-6NA90-0CJ0	14100	1500	1620	2720	2000	630	220	280	710	2550	3480	o.r.
1RN8 713-6NA90-0CG0	14850	1500	1620	2720	2000	375	220	280	710	2550	3010	o.r.
1RN8 713-6NA90-0CJ0	15000	1500	1620	2720	2000	630	220	280	710	2550	3480	o.r.
1RN8 714-6NA90-0CG0	15850	1500	1620	2720	2000	375	220	280	710	2550	3010	o.r.
1RN8 714-6NA90-0CJ0	16000	1500	1620	2720	2000	630	220	280	710	2550	3480	o.r.
1RN8 717-6NA90-0CG0	17400	1500	1620	2720	2240	375	220	280	710	2460	3250	o.r.
1RN8 717-6NA90-0CJ0	17500	1500	1620	2720	2240	630	220	280	710	2460	3720	o.r.
1RN8 718-6NA90-0CG0	18400	1500	1620	2720	2240	375	220	280	710	2460	3250	o.r.
1RN8 718-6NA90-0CJ0	18550	1500	1620	2720	2240	630	220	280	710	2460	3720	o.r.
8-pole												
1RN7 451-8NA90-0AA0	4150	850	1140	1760	1180	250	130	200	450	1740	1920	o.r.
1RN7 451-8NA90-0AC0	4150	850	1140	1760	1180	500	130	200	450	1740	2390	o.r.



Motor type	Weight kg	Dimensions										
		A mm	AD mm	AE mm	B mm	C mm	D mm	E mm	H mm	HD mm	L mm	ML mm
Innomotics HV M - 1RN. IC81W 11000 V / 50 Hz B3 (IM 1001) - Dimension drawings												
1RN7 451-8NA90-0CA0	4250	850	1140	1760	1180	250	130	200	450	1740	1920	o.r.
1RN7 451-8NA90-0CC0	4300	850	1140	1760	1180	500	130	200	450	1740	2390	o.r.
1RN7 452-8NA90-0AA0	4250	850	1140	1760	1180	250	130	200	450	1740	1920	o.r.
1RN7 452-8NA90-0AC0	4300	850	1140	1760	1180	500	130	200	450	1740	2390	o.r.
1RN7 452-8NA90-0CA0	4400	850	1140	1760	1180	250	130	200	450	1740	1920	o.r.
1RN7 452-8NA90-0CC0	4450	850	1140	1760	1180	500	130	200	450	1740	2390	o.r.
1RN7 453-8NA90-0AA0	4500	850	1140	1760	1180	250	130	200	450	1740	1920	o.r.
1RN7 453-8NA90-0AC0	4500	850	1140	1760	1180	500	130	200	450	1740	2390	o.r.
1RN7 453-8NA90-0CA0	4650	850	1140	1760	1180	250	130	200	450	1740	1920	o.r.
1RN7 453-8NA90-0CC0	4700	850	1140	1760	1180	500	130	200	450	1740	2390	o.r.
1RN7 454-8NA90-0AA0	4700	850	1140	1760	1180	250	130	200	450	1740	1920	o.r.
1RN7 454-8NA90-0AC0	4750	850	1140	1760	1180	500	130	200	450	1740	2390	o.r.
1RN7 454-8NA90-0CA0	4900	850	1140	1760	1180	250	130	200	450	1740	1920	o.r.
1RN7 454-8NA90-0CC0	4900	850	1140	1760	1180	500	130	200	450	1740	2390	o.r.
1RN7 457-8NA90-0AA0	5200	850	1140	1760	1400	250	130	200	450	1740	2130	o.r.
1RN7 457-8NA90-0AC0	5250	850	1140	1760	1400	500	130	200	450	1740	2600	o.r.
1RN7 457-8NA90-0CA0	5400	850	1140	1760	1400	250	130	200	450	1740	2130	o.r.
1RN7 457-8NA90-0CC0	5400	850	1140	1760	1400	500	130	200	450	1740	2600	o.r.
1RN7 458-8NA90-0AA0	5450	850	1140	1760	1400	250	130	200	450	1740	2130	o.r.
1RN7 458-8NA90-0AC0	5500	850	1140	1760	1400	500	130	200	450	1740	2600	o.r.
1RN7 458-8NA90-0CA0	5650	850	1140	1760	1400	250	130	200	450	1740	2130	o.r.
1RN7 458-8NA90-0CC0	5700	850	1140	1760	1400	500	130	200	450	1740	2600	o.r.
1RN7 502-8NA90-0AA0	5850	950	1220	1920	1320	315	160	240	500	1910	2180	o.r.

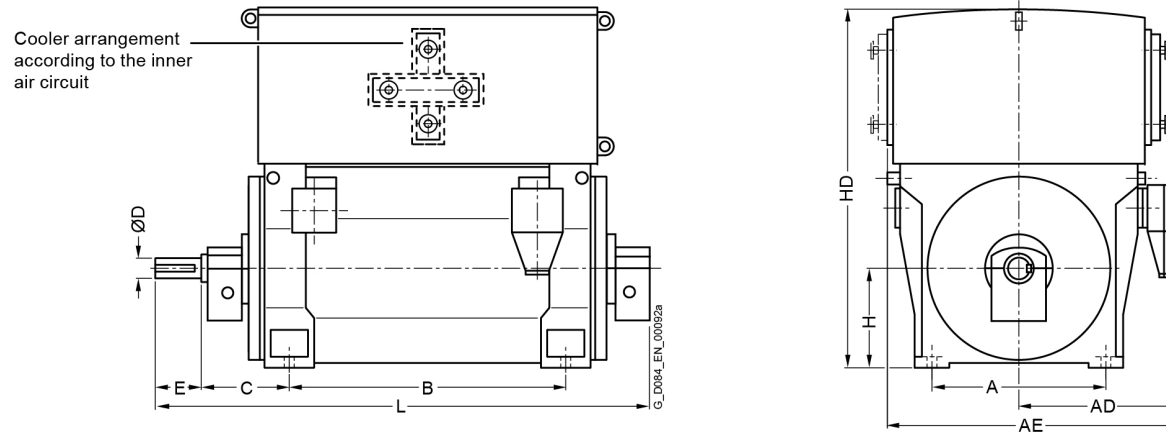


Motor type	Weight kg	Dimensions										
		A mm	AD mm	AE mm	B mm	C mm	D mm	E mm	H mm	HD mm	L mm	ML mm
Innomotics HV M - 1RN. IC81W 11000 V / 50 Hz B3 (IM 1001) - Dimension drawings												
1RN7 502-8NA90-0AC0	5900	950	1220	1920	1320	560	170	240	500	1910	2620	o.r.
1RN7 502-8NA90-0CA0	6050	950	1220	1920	1320	315	160	240	500	1910	2180	o.r.
1RN7 502-8NA90-0CC0	6100	950	1220	1920	1320	560	170	240	500	1910	2620	o.r.
1RN7 503-8NA90-0AA0	6200	950	1220	1920	1320	315	160	240	500	1910	2180	o.r.
1RN7 503-8NA90-0AC0	6250	950	1220	1920	1320	560	170	240	500	1910	2620	o.r.
1RN7 503-8NA90-0CA0	6400	950	1220	1920	1320	315	160	240	500	1910	2180	o.r.
1RN7 503-8NA90-0CC0	6450	950	1220	1920	1320	560	170	240	500	1910	2620	o.r.
1RN7 504-8NA90-0AA0	6500	950	1220	1920	1320	315	160	240	500	1910	2180	o.r.
1RN7 504-8NA90-0AC0	6550	950	1220	1920	1320	560	170	240	500	1910	2620	o.r.
1RN7 504-8NA90-0CA0	6700	950	1220	1920	1320	315	160	240	500	1910	2180	o.r.
1RN7 504-8NA90-0CC0	6750	950	1220	1920	1320	560	170	240	500	1910	2620	o.r.
1RN7 507-8NA90-0AA0	7100	950	1220	1920	1500	315	160	240	500	1910	2390	o.r.
1RN7 507-8NA90-0AC0	7150	950	1220	1920	1500	560	170	240	500	1910	2830	o.r.
1RN7 507-8NA90-0CA0	7350	950	1220	1920	1500	315	160	240	500	1910	2390	o.r.
1RN7 507-8NA90-0CC0	7450	950	1220	1920	1500	560	170	240	500	1910	2830	o.r.
1RN7 508-8NA90-0AA0	7450	950	1220	1920	1500	315	160	240	500	1910	2390	o.r.
1RN7 508-8NA90-0AC0	7500	950	1220	1920	1500	560	170	240	500	1910	2830	o.r.
1RN7 508-8NA90-0CA0	7700	950	1220	1920	1500	315	160	240	500	1910	2390	o.r.
1RN7 508-8NA90-0CC0	7750	950	1220	1920	1500	560	170	240	500	1910	2830	o.r.
1RN7 563-8NA90-0CA0	8400	1060	1290	2060	1400	335	190	280	560	2110	2390	o.r.
1RN7 563-8NA90-0CC0	8500	1060	1290	2060	1400	600	190	280	560	2110	2850	o.r.
1RN7 564-8NA90-0CA0	8850	1060	1290	2060	1400	335	190	280	560	2110	2390	o.r.
1RN7 564-8NA90-0CC0	8900	1060	1290	2060	1400	600	190	280	560	2110	2850	o.r.



Motor type	Weight	Dimensions												
		A	AD	AE	B	C	D	E	H	HD	L	ML		
	kg	mm	mm	mm	mm	mm	mm	mm	mm	mm	mm	mm	mm	
Innomotics HV M - 1RN. IC81W 11000 V / 50 Hz B3 (IM 1001) - Dimension drawings														
1RN7 567-8NA90-0CA0	9750	1060	1290	2060	1600	335	190	280	560	2110	2620	o.r.		
1RN7 567-8NA90-0CC0	9800	1060	1290	2060	1600	600	190	280	560	2110	3080	o.r.		
1RN7 568-8NA90-0CA0	10250	1060	1290	2060	1600	335	190	280	560	2110	2620	o.r.		
1RN7 568-8NA90-0CC0	10300	1060	1290	2060	1600	600	190	280	560	2110	3080	o.r.		
1RN8 633-8NA90-0CG0	9700	1320	1520	2520	1600	375	200	280	630	2380	2610	o.r.		
1RN8 633-8NA90-0CJ0	9800	1320	1520	2520	1600	630	200	280	630	2380	3090	o.r.		
1RN8 634-8NA90-0CG0	10400	1320	1520	2520	1600	375	200	280	630	2380	2610	o.r.		
1RN8 634-8NA90-0CJ0	10500	1320	1520	2520	1600	630	200	280	630	2380	3090	o.r.		
1RN8 637-8NA90-0CG0	11600	1320	1520	2520	1800	375	200	280	630	2380	2810	o.r.		
1RN8 637-8NA90-0CJ0	11700	1320	1520	2520	1800	630	200	280	630	2380	3290	o.r.		
1RN8 638-8NA90-0CG0	12300	1320	1520	2520	1800	375	200	280	630	2380	2810	o.r.		
1RN8 638-8NA90-0CJ0	12400	1320	1520	2520	1800	630	200	280	630	2380	3290	o.r.		
1RN8 712-8NA90-0CG0	13450	1500	1620	2720	2000	375	220	280	710	2550	3010	o.r.		
1RN8 712-8NA90-0CJ0	13650	1500	1620	2720	2000	630	220	280	710	2550	3480	o.r.		
1RN8 713-8NA90-0CG0	14300	1500	1620	2720	2000	375	220	280	710	2550	3010	o.r.		
1RN8 713-8NA90-0CJ0	14450	1500	1620	2720	2000	630	220	280	710	2550	3480	o.r.		
1RN8 714-8NA90-0CG0	15400	1500	1620	2720	2000	375	220	280	710	2550	3010	o.r.		
1RN8 714-8NA90-0CJ0	15550	1500	1620	2720	2000	630	220	280	710	2550	3480	o.r.		
1RN8 717-8NA90-0CG0	17000	1500	1620	2720	2240	375	220	280	710	2460	3250	o.r.		
1RN8 717-8NA90-0CJ0	17150	1500	1620	2720	2240	630	220	280	710	2460	3720	o.r.		
1RN8 718-8NA90-0CG0	18000	1500	1620	2720	2240	375	220	280	710	2460	3250	o.r.		
1RN8 718-8NA90-0CJ0	18200	1500	1620	2720	2240	630	220	280	710	2460	3720	o.r.		

Innomotics HV M - 1RN. IC81W 13800 V / 60 Hz B3 (IM 1001)																			
Rated power IEC	Article No.	Speed	Rated current I_R	Efficiency				Power factor				Torque T_R	Breakdown torque T_B/ T_R	Locked torque T_{LR}/ T_R	Locked rotor current I_{LR}/ I_R	Inertia			
				5/4 load	4/4 load	3/4 load	2/4 load	5/4 load	4/4 load	3/4 load	2/4 load					rotor motor	external	Startup max T/TR	
kW		rpm	A	%	%	%	%	cos φ	cos φ	cos φ	cos φ	Nm	[-]	[-]	[-]	kgm ²	kgm ²	[-]	
2-pole: $n_{sync} = 3600$ rpm at 60 Hz																			
6600	1RN8 633-2NA20-0CJ0	3585	315	96.6	96.8	96.5	95.6	0.88	0.90	0.89	0.87	17580	2.20	0.55	5.4	82	200	o.r.	
8050	1RN8 637-2NA20-0CJ0	3587	380	96.9	97.1	96.7	95.8	0.90	0.91	0.90	0.87	21431	2.60	0.65	6.0	98	200	o.r.	
10750	1RN8 714-2NA20-0CJ0	3588	520	96.9	96.9	96.5	95.5	0.89	0.90	0.90	0.88	28611	2.30	0.60	5.8	173	110	o.r.	
12550	1RN8 717-2NA20-0CJ0	3589	590	97.1	97.1	96.8	95.9	0.90	0.91	0.91	0.89	33392	2.45	0.60	6.0	202	110	o.r.	
4-pole: $n_{sync} = 1800$ rpm at 60 Hz																			
5850	1RN8 633-4NA20-0C.0	1792	280	96.8	97.2	97.3	96.9	0.89	0.90	0.89	0.85	31174	2.40	0.55	5.9	151	550	o.r.	
7200	1RN8 637-4NA20-0C.0	1793	345	97.1	97.4	97.4	97.0	0.89	0.90	0.88	0.84	38346	2.55	0.60	6.0	181	660	o.r.	
9250	1RN8 713-4NA20-0C.0	1793	440	97.1	97.4	97.4	97.0	0.89	0.90	0.89	0.84	49264	2.60	0.50	6.0	282	690	o.r.	
11050	1RN8 717-4NA20-0C.0	1793	530	97.3	97.5	97.6	97.2	0.89	0.90	0.90	0.86	58851	2.55	0.45	6.0	342	780	o.r.	
6-pole: $n_{sync} = 1200$ rpm at 60 Hz																			
4950	1RN8 633-6NA20-0C.0	1193	245	96.5	97.0	97.1	96.8	0.85	0.87	0.84	0.77	39622	2.30	0.55	5.5	209	1400	o.r.	
6050	1RN8 637-6NA20-0C.0	1194	300	96.8	97.1	97.2	96.8	0.86	0.87	0.83	0.76	48386	2.50	0.60	5.5	246	1900	o.r.	
8650	1RN8 714-6NA20-0C.0	1195	425	97.2	97.5	97.6	97.3	0.86	0.87	0.85	0.78	69123	2.40	0.50	5.5	422	1910	o.r.	
9550	1RN8 717-6NA20-0C.0	1195	470	97.3	97.5	97.6	97.2	0.86	0.87	0.84	0.77	76314	2.45	0.50	5.5	474	2060	o.r.	



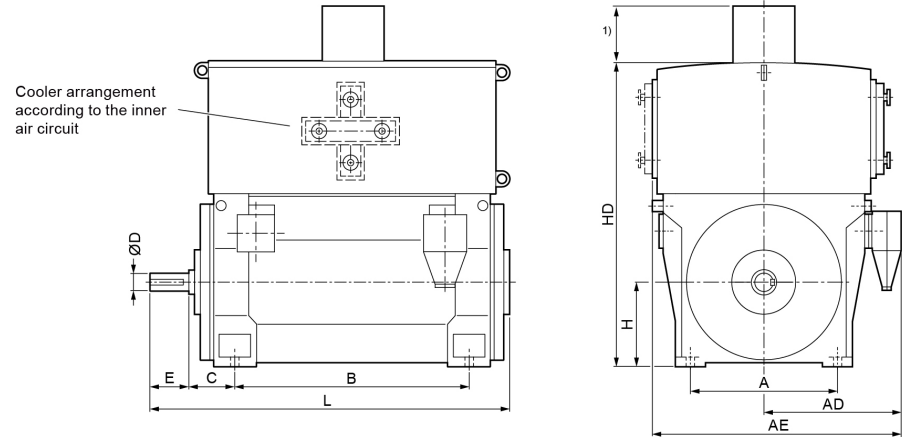
Motor type	Weight kg	Dimensions										
		A mm	AD mm	AE mm	B mm	C mm	D mm	E mm	H mm	HD mm	L mm	ML mm
Innomotics HV M - 1RN. IC81W 13800 V / 60 Hz B3 (IM 1001) - Dimension drawings												
2-pole												
1RN8 633-2NA20-0CJ0	9500	1320	1647	2647	1600	560	160	240	630	2250	2890	o.r.
1RN8 637-2NA20-0CJ0	10750	1320	1647	2647	1800	560	160	240	630	2250	3090	o.r.
1RN8 714-2NA20-0CJ0	14000	1500	1747	2847	2000	560	180	240	710	2550	3280	o.r.
1RN8 717-2NA20-0CJ0	15750	1500	1747	2847	2240	560	180	240	710	2460	3520	o.r.
4-pole												
1RN8 633-4NA20-0CG0	10150	1320	1647	2647	1600	375	200	280	630	2250	2610	o.r.
1RN8 633-4NA20-0CJ0	10250	1320	1647	2647	1600	630	200	280	630	2250	3090	o.r.
1RN8 637-4NA20-0CG0	11500	1320	1647	2647	1800	375	200	280	630	2250	2810	o.r.
1RN8 637-4NA20-0CJ0	11600	1320	1647	2647	1800	630	200	280	630	2250	3290	o.r.
1RN8 713-4NA20-0CG0	14400	1500	1747	2847	2000	375	220	280	710	2550	3010	o.r.
1RN8 713-4NA20-0CJ0	14550	1500	1747	2847	2000	630	220	280	710	2550	3480	o.r.
1RN8 717-4NA20-0CG0	16350	1500	1747	2847	2240	375	220	280	710	2460	3250	o.r.
1RN8 717-4NA20-0CJ0	16500	1500	1747	2847	2240	630	220	280	710	2460	3720	o.r.
6-pole												
1RN8 633-6NA20-0CG0	10600	1320	1647	2647	1600	375	200	280	630	2250	2610	o.r.
1RN8 633-6NA20-0CJ0	10700	1320	1647	2647	1600	630	200	280	630	2250	3090	o.r.
1RN8 637-6NA20-0CG0	11850	1320	1647	2647	1800	375	200	280	630	2250	2810	o.r.
1RN8 637-6NA20-0CJ0	11950	1320	1647	2647	1800	630	200	280	630	2250	3290	o.r.
1RN8 714-6NA20-0CG0	15700	1500	1747	2847	2000	375	220	280	710	2550	3010	o.r.
1RN8 714-6NA20-0CJ0	15850	1500	1747	2847	2000	630	220	280	710	2550	3480	o.r.
1RN8 717-6NA20-0CG0	17050	1500	1747	2847	2240	375	220	280	710	2460	3250	o.r.
1RN8 717-6NA20-0CJ0	17200	1500	1747	2847	2240	630	220	280	710	2460	3720	o.r.

Innomotics HV M - 1RN. IC86W 6000 V / 50 Hz B3 (IM 1001)																					
Rated power IEC	Article No.	Speed	Rated current				Efficiency				Power factor				Torque	Breakdown torque	Locked rotor torque	Locked rotor current	Inertia		
			I_R	5/4 load	4/4 load	3/4 load	2/4 load	5/4 load	4/4 load	3/4 load	2/4 load	5/4 load	4/4 load	3/4 load					2/4 load	T_R	T_B/ T_R
kW		rpm	A	%	%	%	%	cos φ	cos φ	cos φ	cos φ	Nm	[-]	[-]	[-]	[-]	kgm ²	kgm ²	[-]		
2-pole: n_{sync} = 3000 rpm at 50 Hz																					
1750	1RN7 453-2PA60-0A.0	2971	200	95.2	96.1	96.5	96.5	0.85	0.88	0.88	0.86	5627	1.90	0.45	4.6	10	45	o.r.			
1790	1RN7 453-2PA60-0C.0	2971	200	95.2	96.1	96.6	96.5	0.85	0.89	0.89	0.87	5755	1.90	0.50	4.2	14	115	o.r.			
1910	1RN7 454-2PA60-0A.2	2974	215	95.5	96.3	96.6	96.4	0.86	0.88	0.88	0.85	6135	2.05	0.45	4.8	11	50	o.r.			
1960	1RN7 454-2PA60-0C.0	2974	220	95.5	96.2	96.6	96.5	0.86	0.89	0.89	0.87	6296	2.00	0.50	4.5	15	120	o.r.			
2000	1RN7 457-2PA60-0A.2	2975	220	95.7	96.5	96.7	96.5	0.88	0.90	0.90	0.86	6426	2.25	0.55	5.2	12	60	o.r.			
2040	1RN7 457-2PA60-0C.0	2975	225	95.7	96.4	96.7	96.6	0.89	0.90	0.90	0.88	6553	2.15	0.55	4.8	16	140	o.r.			
2240	1RN7 458-2PA60-0A.2	2975	250	95.9	96.6	96.9	96.7	0.88	0.90	0.90	0.87	7192	2.25	0.55	5.2	13	65	o.r.			
2310	1RN7 458-2PA60-0C.0	2975	255	95.9	96.5	96.9	96.8	0.88	0.90	0.90	0.88	7422	2.15	0.55	4.8	18	140	o.r.			
2600	1RN7 503-2PA60-0A.0	2962	295	95.5	96.3	96.8	97.0	0.87	0.88	0.89	0.86	8384	2.05	0.50	3.9	15	32	o.r.			
2600	1RN7 503-2PA60-0C.0	2970	295	95.8	96.5	97.0	97.1	0.87	0.88	0.89	0.87	8361	2.00	0.55	3.8	20	116	o.r.			
2670	1RN7 504-2PA60-0A.0	2964	300	95.6	96.3	96.8	97.0	0.88	0.89	0.89	0.87	8610	2.15	0.50	4.2	15	40	o.r.			
2780	1RN7 504-2PA60-0C.0	2970	310	95.8	96.5	97.0	97.1	0.87	0.89	0.90	0.87	8942	2.05	0.55	3.9	21	108	o.r.			
3100	1RN7 507-2PA60-0A.0	2966	345	96.0	96.6	97.1	97.2	0.88	0.90	0.90	0.86	9986	2.25	0.60	4.5	18	46	o.r.			
3260	1RN7 507-2PA60-0C.2	2971	365	96.2	96.8	97.2	97.3	0.88	0.89	0.90	0.88	10480	2.10	0.65	4.1	24	108	o.r.			
3350	1RN7 508-2PA60-0A.2	2972	365	96.3	96.9	97.2	97.2	0.90	0.91	0.90	0.85	10767	2.60	0.70	5.4	20	74	o.r.			
3550	1RN7 508-2PA60-0C.2	2976	385	96.5	97.0	97.3	97.3	0.90	0.91	0.91	0.88	11399	2.40	0.70	4.9	27	134	o.r.			
4050	1RN7 562-2PA60-0CC2	2978	445	96.3	96.8	96.9	96.7	0.88	0.90	0.90	0.87	12988	2.05	0.55	4.6	41	245	o.r.			
4500	1RN7 563-2PA60-0CC2	2978	500	96.5	96.8	97.1	96.9	0.88	0.89	0.90	0.87	14432	2.00	0.50	4.5	44	230	o.r.			
5000	1RN7 564-2PA60-0CC2	2979	550	96.6	96.9	97.1	96.9	0.90	0.91	0.90	0.88	16029	2.15	0.50	4.8	47	250	o.r.			
5600	1RN7 567-2PA60-0CC2	2980	610	96.8	97.0	97.3	97.1	0.90	0.91	0.91	0.88	17951	2.10	0.55	4.8	52	255	o.r.			
6400	1RN7 568-2PA60-0CC2	2982	700	97.1	97.3	97.4	97.1	0.90	0.91	0.91	0.88	20512	2.25	0.50	5.1	58	270	o.r.			
7200	1RN8 633-2PA60-0CJ0	2978	800	96.5	97.1	97.1	96.8	0.85	0.89	0.89	0.89	23088	1.90	0.50	4.3	82	200	o.r.			
7900	1RN8 634-2PA60-0CJ0	2980	880	96.7	97.2	97.2	96.9	0.86	0.89	0.90	0.89	25315	2.00	0.50	4.6	90	210	o.r.			
8750	1RN8 637-2PA60-0CJ0	2981	960	97.0	97.4	97.4	97.1	0.88	0.90	0.91	0.90	28030	2.10	0.55	5.0	99	220	o.r.			
9700	1RN8 638-2PA60-0CJ0	2981	1060	97.0	97.5	97.5	97.2	0.88	0.90	0.91	0.90	31073	2.15	0.60	5.0	108	210	o.r.			
10150	1RN8 712-2PA60-0CJ0	2982	1140	96.6	97.1	97.1	96.7	0.83	0.88	0.89	0.89	32503	1.70	0.45	4.0	149	150	o.r.			
11150	1RN8 713-2PA60-0CJ0	2981	1280	96.6	97.1	97.2	96.9	0.82	0.87	0.88	0.89	35718	1.65	0.45	3.8	160	130	o.r.			
11600	1RN8 714-2PA60-0CJ0	2983	1300	96.8	97.2	97.3	96.9	0.85	0.89	0.90	0.90	37134	1.80	0.40	4.2	173	160	o.r.			
13000	1RN8 716-2PA60-0CJ0	2984	1420	97.1	97.4	97.4	97.0	0.87	0.90	0.91	0.90	41602	1.90	0.50	4.5	186	140	o.r.			
14650	1RN8 717-2PA60-0CJ0	2984	1600	97.3	97.6	97.5	97.2	0.87	0.90	0.91	0.90	46882	1.90	0.50	4.5	201	120	o.r.			
15000	1RN8 718-2PA60-0CJ0	2983	1620	97.2	97.6	97.7	97.4	0.87	0.91	0.92	0.92	48019	1.90	0.50	4.4	220	120	o.r.			
4-pole: n_{sync} = 1500 rpm at 50 Hz																					
1620	1RN7 453-4PA60-0C.2	1483	184	95.2	96.1	96.5	96.6	0.86	0.88	0.87	0.82	10433	2.00	0.50	5.0	23	465	o.r.			
1550	1RN7 453-4PA60-0A.0	1479	176	94.8	95.8	96.3	96.5	0.87	0.88	0.87	0.83	10014	2.15	0.65	5.0	17	225	o.r.			
1680	1RN7 454-4PA60-0A.0	1481	196	95.2	96.0	96.3	96.4	0.85	0.86	0.82	0.73	10836	2.30	0.65	5.2	19	275	o.r.			
1800	1RN7 454-4PA60-0C.2	1483	205	95.2	96.2	96.5	96.6	0.85	0.87	0.84	0.78	11603	2.05	0.50	5.0	25	475	o.r.			

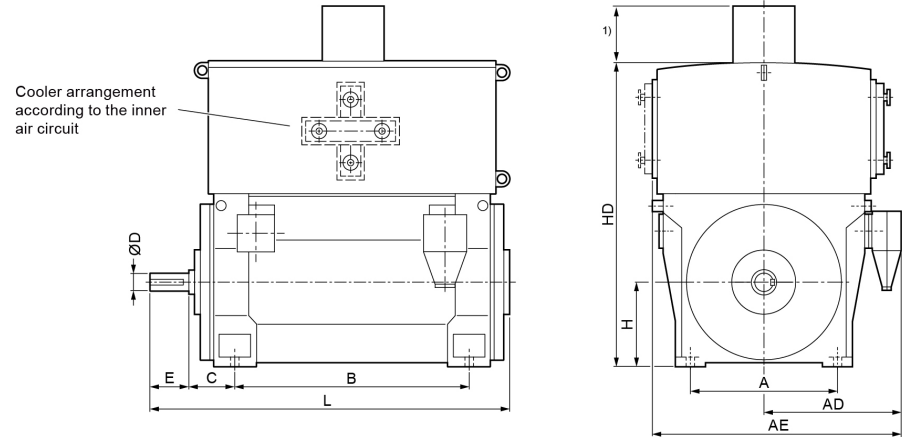
Innomotics HV M - 1RN. IC86W 6000 V / 50 Hz B3 (IM 1001)																		
Rated power IEC	Article No.	Speed	Rated current I_R	Efficiency				Power factor				Torque T_R	Breakdown torque T_B/ T_R	Locked rotor torque T_{LR}/ T_R	Locked rotor current I_{LR}/ I_R	Inertia		
				5/4 load	4/4 load	3/4 load	2/4 load	5/4 load	4/4 load	3/4 load	2/4 load					motor	external	Startup max T/TR
kW		rpm	A	%	%	%	%	cos φ	cos φ	cos φ	cos φ	Nm	[-]	[-]	[-]	kgm ²	kgm ²	[-]
1930	1RN7 457-4PA60-0A.2	1482	215	95.4	96.2	96.6	96.7	0.88	0.89	0.88	0.84	12442	2.40	0.75	5.6	22	350	o.r.
2020	1RN7 457-4PA60-0C.2	1485	225	95.7	96.4	96.8	96.9	0.88	0.89	0.88	0.85	12996	2.25	0.55	5.0	30	635	o.r.
2080	1RN7 458-4PA60-0A.0	1483	235	95.7	96.3	96.7	96.8	0.89	0.89	0.88	0.83	13401	2.60	0.80	5.8	24	395	o.r.
2240	1RN7 458-4PA60-0C.2	1485	250	95.8	96.5	96.9	97.0	0.88	0.89	0.89	0.85	14412	2.25	0.55	5.0	33	660	o.r.
2500	1RN7 503-4PA60-0A.2	1485	285	95.9	96.6	97.0	97.1	0.87	0.88	0.87	0.83	16098	2.15	0.75	4.9	37	545	o.r.
2550	1RN7 503-4PA60-0C.2	1486	290	96.0	96.6	97.1	97.1	0.87	0.88	0.88	0.84	16405	2.10	0.55	4.4	45	600	o.r.
2770	1RN7 504-4PA60-0A.2	1486	310	96.1	96.7	97.1	97.1	0.88	0.89	0.87	0.83	17830	2.25	0.80	5.0	40	585	o.r.
2800	1RN7 504-4PA60-0C.2	1487	315	96.1	96.7	97.2	97.1	0.88	0.89	0.88	0.84	18003	2.15	0.55	4.5	50	665	o.r.
3100	1RN7 507-4PA60-0A.2	1485	350	96.2	96.8	97.2	97.3	0.87	0.88	0.88	0.85	19963	2.20	0.75	4.9	46	655	o.r.
3150	1RN7 507-4PA60-0C.2	1487	350	96.3	96.9	97.3	97.3	0.88	0.89	0.89	0.86	20255	2.15	0.55	4.5	56	700	o.r.
3480	1RN7 508-4PA60-0C.2	1489	390	96.5	97.0	97.3	97.3	0.87	0.88	0.88	0.83	22352	2.20	0.55	4.6	62	805	o.r.
3260	1RN7 508-4PA60-0A.2	1485	365	96.2	96.8	97.3	97.3	0.88	0.89	0.89	0.86	20989	2.35	0.85	5.2	50	705	o.r.
3550	1RN7 562-4PA60-0C.2	1489	401	96.4	96.9	97.3	97.3	0.86	0.88	0.87	0.84	22792	2.05	0.60	4.8	74	615	o.r.
4000	1RN7 563-4PA60-0C.2	1488	451	96.4	96.9	97.4	97.4	0.86	0.88	0.87	0.85	25692	2.00	0.60	4.7	80	580	o.r.
4600	1RN7 564-4PA60-0C.2	1489	519	96.6	97.0	97.5	97.4	0.87	0.88	0.88	0.85	29535	2.05	0.60	4.8	90	685	o.r.
5100	1RN7 566-4PA60-0C.2	1489	567	96.8	97.2	97.6	97.5	0.88	0.89	0.88	0.85	32724	2.15	0.65	5.1	100	735	o.r.
5700	1RN7 567-4PA60-0C.2	1489	633	96.9	97.3	97.7	97.6	0.88	0.89	0.89	0.86	36573	2.15	0.65	5.2	110	760	o.r.
6300	1RN7 568-4PA60-0C.2	1490	699	97.0	97.4	97.7	97.7	0.88	0.89	0.89	0.85	40402	2.25	0.70	5.4	119	760	o.r.
6650	1RN8 633-4PA60-0C.0	1489	750	96.7	97.3	97.6	97.5	0.86	0.88	0.89	0.86	42648	2.00	0.50	4.7	151	540	o.r.
7150	1RN8 634-4PA60-0C.0	1489	790	96.7	97.3	97.6	97.6	0.86	0.89	0.89	0.87	45855	2.00	0.50	4.8	166	640	o.r.
8100	1RN8 637-4PA60-0C.0	1489	900	96.9	97.4	97.7	97.6	0.87	0.89	0.89	0.86	51947	2.10	0.50	5.0	182	650	o.r.
9300	1RN8 638-4PA60-0C.0	1490	1040	97.1	97.6	97.8	97.7	0.87	0.89	0.88	0.85	59603	2.10	0.50	5.0	198	670	o.r.
9600	1RN8 712-4PA60-0C.0	1490	1060	97.1	97.6	97.8	97.7	0.87	0.89	0.89	0.86	61526	2.15	0.45	4.9	259	650	o.r.
10450	1RN8 713-4PA60-0C.0	1490	1140	97.2	97.6	97.8	97.7	0.88	0.90	0.89	0.87	66973	2.20	0.50	5.2	284	720	o.r.
11500	1RN8 714-4PA60-0C.0	1490	1260	97.3	97.7	97.9	97.8	0.88	0.90	0.90	0.87	73703	2.25	0.50	5.3	312	800	o.r.
12750	1RN8 717-4PA60-0C.0	1491	1400	97.3	97.7	97.9	97.8	0.89	0.90	0.90	0.88	81659	2.30	0.55	5.5	346	850	o.r.
13600	1RN8 718-4PA60-0C.0	1492	1480	97.4	97.8	97.9	97.8	0.89	0.90	0.89	0.85	87045	2.50	0.55	5.8	365	930	o.r.
6-pole: n_{sync} = 1000 rpm at 50 Hz																		
1250	1RN7 453-6PA60-0A.0	987	148	94.4	95.4	96.0	96.3	0.84	0.85	0.83	0.77	12103	2.05	0.70	5.0	22	730	o.r.
1260	1RN7 453-6PA60-0C.0	986	148	94.3	95.4	96.0	96.3	0.84	0.86	0.84	0.79	12201	2.00	0.60	4.5	30	970	o.r.
1410	1RN7 454-6PA60-0A.0	988	166	94.7	95.6	96.1	96.3	0.84	0.85	0.82	0.75	13641	2.05	0.70	4.9	24	945	o.r.
1430	1RN7 454-6PA60-0C.0	987	170	94.6	95.6	96.2	96.4	0.84	0.85	0.84	0.78	13847	2.00	0.55	4.4	33	1215	o.r.
1520	1RN7 457-6PA60-0A.0	988	180	94.8	95.7	96.3	96.5	0.84	0.85	0.84	0.77	14706	2.10	0.75	5.1	28	1025	o.r.
1550	1RN7 457-6PA60-0C.0	987	182	94.7	95.7	96.2	96.5	0.84	0.86	0.85	0.80	14997	2.10	0.60	4.5	36	1275	o.r.
1650	1RN7 458-6PA60-0A.0	989	192	95.1	95.9	96.4	96.6	0.85	0.86	0.84	0.77	15950	2.25	0.80	5.3	31	1135	o.r.
1680	1RN7 458-6PA60-0C.0	988	194	95.0	95.9	96.4	96.6	0.85	0.87	0.85	0.79	16244	2.20	0.60	4.8	41	1410	o.r.
1800	1RN7 502-6PA60-0A.2	990	210	95.4	96.2	96.7	96.8	0.84	0.85	0.83	0.76	17387	2.15	0.85	4.5	42	1620	o.r.

Innomotics HV M - 1RN. IC86W 6000 V / 50 Hz B3 (IM 1001)																		
Rated power IEC	Article No.	Speed	Rated current I_R	Efficiency				Power factor				Torque T_R	Breakdown torque T_B/ T_R	Locked rotor torque T_{LR}/ T_R	Locked rotor current I_{LR}/ I_R	Inertia		
				5/4 load	4/4 load	3/4 load	2/4 load	5/4 load	4/4 load	3/4 load	2/4 load					motor	external	Startup max T/TR
kW		rpm	A	%	%	%	%	$\cos \varphi$	$\cos \varphi$	$\cos \varphi$	$\cos \varphi$	Nm	[-]	[-]	[-]	kgm ²	kgm ²	[-]
1800	1RN7 502-6PA60-0C.2	991	210	95.6	96.3	96.8	96.9	0.84	0.85	0.84	0.78	17365	2.10	0.70	4.2	54	2060	o.r.
2000	1RN7 503-6PA60-0A.2	990	230	95.6	96.4	96.8	96.9	0.84	0.86	0.84	0.77	19320	2.15	0.90	4.6	46	1790	o.r.
2000	1RN7 503-6PA60-0C.2	991	235	95.8	96.5	96.9	97.0	0.84	0.86	0.85	0.79	19276	2.10	0.70	4.3	60	2300	o.r.
2280	1RN7 504-6PA60-0A.2	990	260	95.6	96.4	96.8	97.0	0.85	0.86	0.84	0.77	22029	2.15	0.90	4.6	51	1680	o.r.
2240	1RN7 504-6PA60-0C.2	991	260	95.9	96.6	97.0	97.1	0.85	0.86	0.85	0.79	21602	2.15	0.75	4.4	66	2100	o.r.
2540	1RN7 507-6PA60-0A.2	990	290	95.9	96.5	97.0	97.1	0.85	0.86	0.84	0.77	24531	2.20	0.90	4.8	58	2110	o.r.
2570	1RN7 507-6PA60-0C.2	991	290	96.0	96.7	97.1	97.2	0.85	0.86	0.85	0.80	24785	2.15	0.75	4.3	74	2440	o.r.
2680	1RN7 508-6PA60-0A.2	990	310	96.2	96.7	97.1	97.1	0.85	0.86	0.83	0.75	25858	2.35	0.95	5.1	63	2480	o.r.
2750	1RN7 508-6PA60-0C.2	991	320	96.2	96.9	97.2	97.2	0.85	0.86	0.85	0.78	26495	2.25	0.75	4.6	81	2780	o.r.
3000	1RN7 562-6PA60-0C.2	992	345	96.0	96.6	97.0	96.8	0.85	0.86	0.86	0.82	28909	1.80	0.60	5.2	105	2430	o.r.
3300	1RN7 563-6PA60-0C.2	992	380	96.1	96.8	97.0	97.0	0.85	0.86	0.85	0.82	31792	1.80	0.60	5.2	113	2500	o.r.
3700	1RN7 564-6PA60-0C.2	992	430	96.2	96.8	97.1	97.1	0.85	0.86	0.86	0.82	35646	1.80	0.60	5.2	124	2485	o.r.
4100	1RN7 567-6PA60-0C.2	992	475	96.3	96.9	97.1	97.2	0.85	0.86	0.86	0.82	39488	1.80	0.60	5.2	137	2600	o.r.
4550	1RN7 568-6PA60-0C.2	992	520	96.6	97.0	97.2	97.2	0.86	0.86	0.86	0.81	43806	2.00	0.60	5.5	151	2945	o.r.
5000	1RN8 632-6PA60-0C.0	991	580	96.3	96.9	97.2	97.1	0.84	0.86	0.83	0.77	48180	2.10	0.55	4.7	193	1880	o.r.
5200	1RN8 633-6PA60-0C.0	991	590	96.4	97.0	97.3	97.2	0.84	0.87	0.84	0.79	50107	2.10	0.55	4.7	209	2160	o.r.
6000	1RN8 634-6PA60-0C.0	991	690	96.5	97.1	97.4	97.3	0.84	0.86	0.84	0.79	57816	2.00	0.52	4.7	227	2080	o.r.
6400	1RN8 637-6PA60-0C.0	991	730	96.5	97.1	97.4	97.3	0.84	0.87	0.85	0.80	61671	2.00	0.52	4.7	247	2400	o.r.
6900	1RN8 638-6PA60-0C.0	991	790	96.6	97.2	97.5	97.4	0.85	0.87	0.85	0.80	66489	2.05	0.52	4.7	265	2580	o.r.
7350	1RN8 712-6PA60-0C.0	993	840	96.9	97.4	97.6	97.5	0.85	0.86	0.84	0.79	70682	2.15	0.55	5.0	331	2240	o.r.
8150	1RN8 713-6PA60-0C.0	993	920	97.0	97.5	97.7	97.7	0.85	0.87	0.86	0.82	78375	2.10	0.55	5.0	374	2520	o.r.
9400	1RN8 714-6PA60-0C.0	993	1060	97.1	97.5	97.8	97.7	0.85	0.87	0.85	0.80	90396	2.15	0.50	5.0	424	2810	o.r.
10550	1RN8 717-6PA60-0C.0	994	1200	97.3	97.7	97.9	97.7	0.86	0.87	0.85	0.80	101353	2.30	0.60	5.4	478	3250	o.r.
11300	1RN8 718-6PA60-0C.0	994	1280	97.4	97.7	97.9	97.7	0.86	0.87	0.85	0.77	108558	2.50	0.60	5.5	524	3760	o.r.
8-pole: $n_{sync} = 750$ rpm at 50 Hz																		
820	1RN7 452-8PA60-0A.0	739	102	93.8	95.0	95.4	95.4	0.79	0.81	0.77	0.68	10592	1.80	0.60	4.0	25	1540	o.r.
880	1RN7 452-8PA60-0C.0	738	108	93.6	94.9	95.4	95.5	0.80	0.82	0.79	0.71	11379	1.90	0.55	4.1	32	1900	o.r.
930	1RN7 453-8PA60-0A.0	739	116	94.0	95.1	95.6	95.6	0.79	0.81	0.77	0.68	12013	1.80	0.60	3.9	28	1960	o.r.
1000	1RN7 453-8PA60-0C.0	738	124	93.9	95.1	95.5	95.7	0.81	0.82	0.79	0.71	12926	1.90	0.55	4.0	36	2310	o.r.
1000	1RN7 454-8PA60-0A.2	739	124	94.1	95.4	95.7	95.8	0.80	0.81	0.78	0.70	12919	1.85	0.60	4.0	31	2450	o.r.
1100	1RN7 454-8PA60-0C.0	738	134	94.0	95.2	95.7	95.9	0.81	0.83	0.80	0.73	14225	1.90	0.55	4.1	40	2750	o.r.
1190	1RN7 457-8PA60-0A.0	739	148	94.4	95.4	95.8	95.8	0.80	0.81	0.77	0.68	15370	1.85	0.60	4.2	35	2610	o.r.
1220	1RN7 457-8PA60-0C.2	740	148	94.5	95.5	95.8	95.8	0.82	0.83	0.79	0.70	15743	2.00	0.60	4.6	45	3470	o.r.
1260	1RN7 458-8PA60-0A.0	739	154	94.5	95.5	95.8	95.9	0.80	0.82	0.78	0.69	16267	1.95	0.65	4.5	39	2760	o.r.
1310	1RN7 458-8PA60-0C.0	740	160	94.6	95.5	95.9	95.9	0.82	0.83	0.80	0.71	16900	2.10	0.60	4.8	50	3580	o.r.
1400	1RN7 502-8PA60-0A.2	742	174	95.1	95.9	96.4	96.6	0.81	0.81	0.79	0.73	18026	1.95	0.75	3.9	46	2280	o.r.
1400	1RN7 502-8PA60-0C.2	741	170	95.0	95.9	96.4	96.7	0.81	0.83	0.80	0.74	18042	1.95	0.50	3.7	59	2990	o.r.

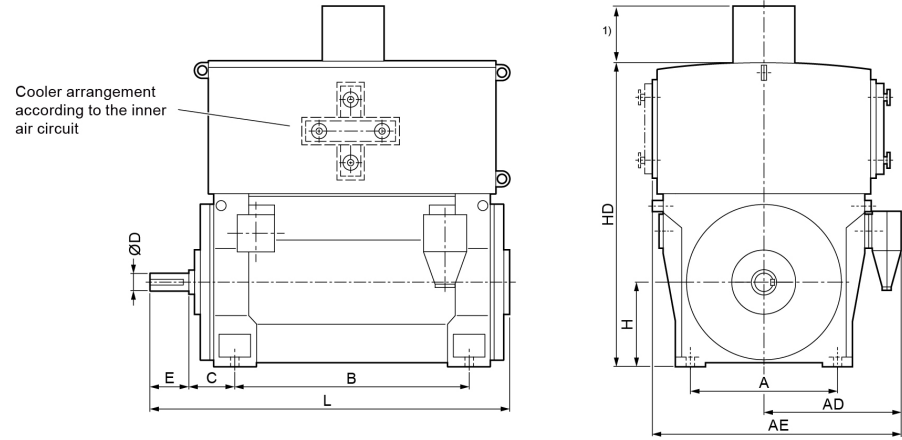
Innomotics HV M - 1RN. IC86W 6000 V / 50 Hz B3 (IM 1001)																		
Rated power IEC	Article No.	Speed	Rated current I_R	Efficiency				Power factor				Torque T_R	Breakdown torque T_B/ T_R	Locked rotor torque T_{LR}/ T_R	Locked rotor current I_{LR}/ I_R	Inertia		
				5/4 load	4/4 load	3/4 load	2/4 load	5/4 load	4/4 load	3/4 load	2/4 load					motor	external	Startup max T/TR
kW		rpm	A	%	%	%	%	$\cos \varphi$	$\cos \varphi$	$\cos \varphi$	$\cos \varphi$	Nm	[-]	[-]	[-]	kgm ²	kgm ²	[-]
1600	1RN7 503-8PA60-0A.2	741	196	95.1	96.0	96.5	96.8	0.80	0.82	0.81	0.76	20625	1.85	0.70	3.7	51	2130	o.r.
1600	1RN7 503-8PA60-0C.2	740	194	94.9	95.9	96.5	96.8	0.80	0.83	0.81	0.77	20641	1.85	0.45	3.5	65	2830	o.r.
1680	1RN7 504-8PA60-0A.2	743	205	95.5	96.2	96.5	96.6	0.82	0.82	0.79	0.72	21626	2.05	0.80	4.2	56	2840	o.r.
1700	1RN7 504-8PA60-0C.2	742	205	95.4	96.2	96.6	96.7	0.82	0.83	0.80	0.74	21881	2.10	0.55	3.9	72	3580	o.r.
1810	1RN7 507-8PA60-0A.2	743	220	95.6	96.3	96.7	96.7	0.82	0.82	0.79	0.72	23296	2.10	0.80	4.2	63	3670	o.r.
1840	1RN7 507-8PA60-0C.2	742	220	95.6	96.3	96.7	96.9	0.82	0.83	0.82	0.74	23674	2.10	0.60	4.0	80	4640	o.r.
2000	1RN7 508-8PA60-0A.2	743	245	95.8	96.4	96.7	96.7	0.81	0.82	0.80	0.72	25731	2.15	0.85	4.4	69	3790	o.r.
2000	1RN7 508-8PA60-0C.2	743	240	95.8	96.4	96.8	96.9	0.82	0.83	0.81	0.73	25739	2.20	0.60	4.2	88	4780	o.r.
2300	1RN7 563-8PA60-0C.2	743	275	95.6	96.3	96.7	96.6	0.82	0.83	0.81	0.75	29553	2.00	0.55	4.4	124	3025	o.r.
2600	1RN7 564-8PA60-0C.2	743	315	95.8	96.4	96.8	96.7	0.83	0.83	0.82	0.76	33406	2.00	0.60	4.5	137	3315	o.r.
2900	1RN7 567-8PA60-0C.2	744	350	96.0	96.5	96.9	96.8	0.83	0.83	0.81	0.74	37262	2.15	0.60	4.7	150	3950	o.r.
3300	1RN7 568-8PA60-0C.2	744	395	96.2	96.7	97.0	96.9	0.83	0.83	0.81	0.75	42419	2.10	0.60	4.6	165	5680	o.r.
3350	1RN8 633-8PA60-0C.0	742	395	95.2	96.0	96.4	96.3	0.83	0.85	0.83	0.77	43113	1.80	0.40	3.8	216	3390	o.r.
3900	1RN8 634-8PA60-0C.0	742	455	95.6	96.3	96.5	96.4	0.84	0.86	0.83	0.76	50192	1.90	0.45	4.1	251	3760	o.r.
4550	1RN8 637-8PA60-0C.0	743	530	96.0	96.5	96.7	96.5	0.85	0.86	0.82	0.75	58478	2.05	0.50	4.4	292	5960	o.r.
4800	1RN8 638-8PA60-0C.0	743	560	96.2	96.7	96.8	96.6	0.85	0.86	0.83	0.76	61691	2.10	0.50	4.5	326	6970	o.r.
5400	1RN8 712-8PA60-0C.0	744	580	96.4	96.8	97.0	96.8	0.85	0.86	0.82	0.75	69309	2.15	0.45	4.6	422	5600	o.r.
5900	1RN8 713-8PA60-0C.0	745	650	96.4	96.9	97.0	96.8	0.86	0.86	0.83	0.75	75625	2.25	0.50	4.8	474	6410	o.r.
6900	1RN8 714-8PA60-0C.0	745	720	96.6	97.0	97.1	96.9	0.86	0.87	0.83	0.76	88443	2.25	0.50	4.8	542	7220	o.r.
7800	1RN8 717-8PA60-0C.0	745	820	96.8	97.1	97.2	96.9	0.86	0.87	0.82	0.74	99979	2.35	0.50	5.0	619	8530	o.r.
8300	1RN8 718-8PA60-0C.0	745	910	96.9	97.2	97.2	97.0	0.87	0.87	0.83	0.75	106388	2.45	0.60	5.2	682	9540	o.r.



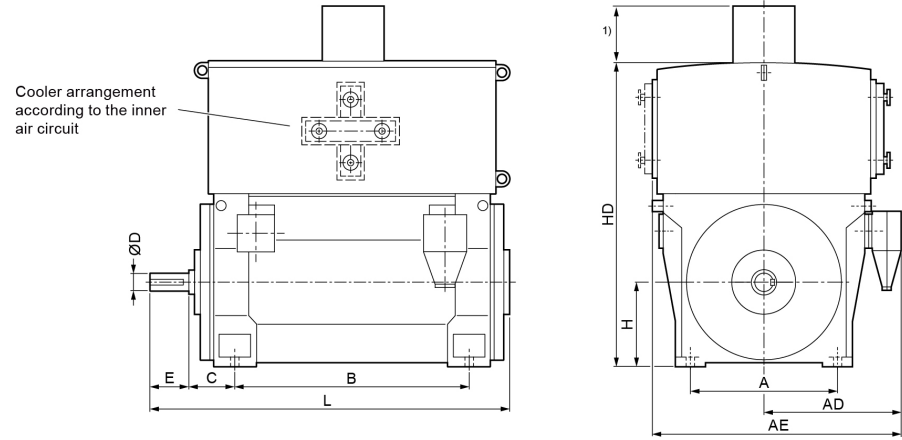
Motor type	Weight	Dimensions										
		A	AD	AE	B	C	D	E	H	HD	L	ML
	kg	mm	mm	mm	mm	mm	mm	mm	mm	mm	mm	mm
Innomotics HV M - 1RN. IC86W 6000 V / 50 Hz B3 (IM 1001) - Dimension drawings												
2-pole												
1RN7 453-2PA60-0AA0	4400	850	925	1545	1180	250	95	130	450	2350	1790	o.r.
1RN7 453-2PA60-0AC0	4300	850	925	1545	1180	475	95	130	450	2350	2010	o.r.
1RN7 453-2PA60-0CA0	4550	850	925	1545	1180	250	95	130	450	2350	1790	o.r.
1RN7 453-2PA60-0CC0	4450	850	925	1545	1180	475	95	130	450	2350	2010	o.r.
1RN7 454-2PA60-0AA2	4550	850	925	1545	1180	250	95	130	450	2350	1790	o.r.
1RN7 454-2PA60-0AC2	4450	850	925	1545	1180	475	95	130	450	2350	2010	o.r.
1RN7 454-2PA60-0CA0	4700	850	925	1545	1180	250	95	130	450	2350	1790	o.r.
1RN7 454-2PA60-0CC0	4600	850	925	1545	1180	475	95	130	450	2350	2010	o.r.
1RN7 457-2PA60-0AA2	4900	850	925	1545	1400	250	95	130	450	2350	2000	o.r.
1RN7 457-2PA60-0AC2	4800	850	925	1545	1400	475	95	130	450	2350	2220	o.r.
1RN7 457-2PA60-0CA0	5050	850	925	1545	1400	250	95	130	450	2350	2000	o.r.
1RN7 457-2PA60-0CC0	4950	850	925	1545	1400	475	95	130	450	2350	2220	o.r.
1RN7 458-2PA60-0AA2	5100	850	925	1545	1400	250	95	130	450	2350	2000	o.r.
1RN7 458-2PA60-0AC2	5000	850	925	1545	1400	475	95	130	450	2350	2220	o.r.
1RN7 458-2PA60-0CA0	5250	850	925	1545	1400	250	95	130	450	2350	2000	o.r.
1RN7 458-2PA60-0CC0	5200	850	925	1545	1400	475	95	130	450	2350	2220	o.r.
1RN7 503-2PA60-0AA0	5850	950	1005	1705	1320	250	110	165	500	2640	2000	o.r.
1RN7 503-2PA60-0AC0	5800	950	1005	1705	1320	530	120	165	500	2640	2280	o.r.
1RN7 503-2PA60-0CA0	6000	950	1005	1705	1320	250	110	165	500	2640	2000	o.r.
1RN7 503-2PA60-0CC0	5950	950	1005	1705	1320	530	120	165	500	2640	2280	o.r.
1RN7 504-2PA60-0AA0	5950	950	1005	1705	1320	250	110	165	500	2640	2000	o.r.
1RN7 504-2PA60-0AC0	5850	950	1005	1705	1320	530	120	165	500	2640	2280	o.r.



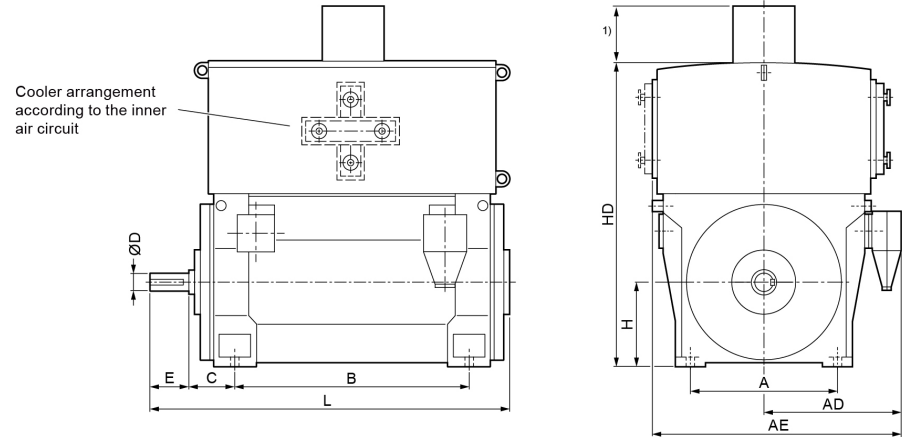
Motor type	Weight	Dimensions										
		A	AD	AE	B	C	D	E	H	HD	L	ML
	kg	mm	mm	mm	mm	mm	mm	mm	mm	mm	mm	mm
Innomotics HV M - 1RN. IC86W 6000 V / 50 Hz B3 (IM 1001) - Dimension drawings												
1RN7 504-2PA60-0CA0	6100	950	1005	1705	1320	250	110	165	500	2640	2000	o.r.
1RN7 504-2PA60-0CC0	6000	950	1005	1705	1320	530	120	165	500	2640	2280	o.r.
1RN7 507-2PA60-0AA0	6600	950	1005	1705	1500	250	110	165	500	2640	2210	o.r.
1RN7 507-2PA60-0AC0	6550	950	1005	1705	1500	530	120	165	500	2640	2490	o.r.
1RN7 507-2PA60-0CA2	6800	950	1005	1705	1500	250	110	165	500	2640	2210	o.r.
1RN7 507-2PA60-0CC2	6700	950	1005	1705	1500	530	120	165	500	2640	2490	o.r.
1RN7 508-2PA60-0AA2	6900	950	1005	1705	1500	250	110	165	500	2640	2210	o.r.
1RN7 508-2PA60-0AC2	6850	950	1005	1705	1500	530	120	165	500	2640	2490	o.r.
1RN7 508-2PA60-0CA2	7100	950	1005	1705	1500	250	110	165	500	2640	2210	o.r.
1RN7 508-2PA60-0CC2	7050	950	1005	1705	1500	530	120	165	500	2640	2490	o.r.
1RN7 562-2PA60-0CC2	8050	1060	1290	2060	1400	600	150	200	560	2830	2530	o.r.
1RN7 563-2PA60-0CC2	8350	1060	1290	2060	1400	600	150	200	560	2830	2530	o.r.
1RN7 564-2PA60-0CC2	8550	1060	1290	2060	1400	600	150	200	560	2830	2530	o.r.
1RN7 567-2PA60-0CC2	9400	1060	1290	2060	1600	600	150	200	560	2830	2760	o.r.
1RN7 568-2PA60-0CC2	10050	1060	1290	2060	1600	600	150	200	560	2830	2760	o.r.
1RN8 633-2PA60-0CJ0	10150	1320	1520	2520	1600	560	160	240	630	3090	2760	o.r.
1RN8 634-2PA60-0CJ0	10650	1320	1520	2520	1600	560	160	240	630	3090	2760	o.r.
1RN8 637-2PA60-0CJ0	11550	1320	1520	2520	1800	560	160	240	630	3090	2960	o.r.
1RN8 638-2PA60-0CJ0	12100	1320	1520	2520	1800	560	160	240	630	3090	2960	o.r.
1RN8 712-2PA60-0CJ0	13600	1500	1620	2720	2000	560	180	240	710	3360	3150	o.r.
1RN8 713-2PA60-0CJ0	14250	1500	1620	2720	2000	560	180	240	710	3360	3150	o.r.
1RN8 714-2PA60-0CJ0	14850	1500	1620	2720	2000	560	180	240	710	3360	3150	o.r.
1RN8 716-2PA60-0CJ0	15850	1500	1620	2720	2240	560	180	240	710	3360	3390	o.r.



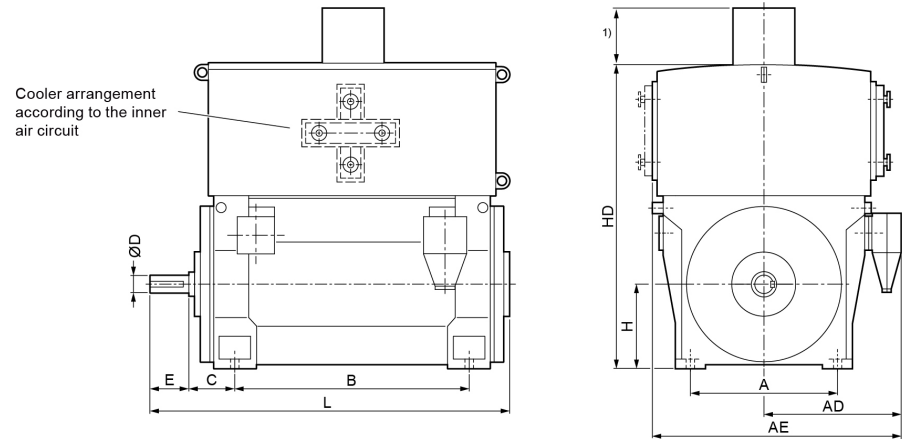
Motor type	Weight	Dimensions										
		A	AD	AE	B	C	D	E	H	HD	L	ML
	kg	mm	mm	mm	mm	mm	mm	mm	mm	mm	mm	mm
Innomotics HV M - 1RN. IC86W 6000 V / 50 Hz B3 (IM 1001) - Dimension drawings												
1RN8 717-2PA60-0CJ0	16750	1500	1620	2720	2240	560	180	240	710	3360	3390	o.r.
1RN8 718-2PA60-0CJ0	17750	1500	1620	2720	2240	560	180	240	710	3360	3390	o.r.
4-pole												
1RN7 453-4PA60-0CA2	4550	850	925	1545	1180	250	130	200	450	1940	2290	o.r.
1RN7 453-4PA60-0CC2	4600	850	925	1545	1180	500	130	200	450	1940	2540	o.r.
1RN7 453-4PA60-0AA0	4400	850	925	1545	1180	250	130	200	450	1940	2290	o.r.
1RN7 453-4PA60-0AC0	4450	850	925	1545	1180	500	130	200	450	1940	2540	o.r.
1RN7 454-4PA60-0AA0	4600	850	925	1545	1180	250	130	200	450	1940	2290	o.r.
1RN7 454-4PA60-0AC0	4600	850	925	1545	1180	500	130	200	450	1940	2540	o.r.
1RN7 454-4PA60-0CA2	4750	850	925	1545	1180	250	130	200	450	1940	2290	o.r.
1RN7 454-4PA60-0CC2	4750	850	925	1545	1180	500	130	200	450	1940	2540	o.r.
1RN7 457-4PA60-0AA2	5150	850	925	1545	1400	250	130	200	450	1940	2500	o.r.
1RN7 457-4PA60-0AC2	5200	850	925	1545	1400	500	130	200	450	1940	2750	o.r.
1RN7 457-4PA60-0CA2	5350	850	925	1545	1400	250	130	200	450	1940	2500	o.r.
1RN7 457-4PA60-0CC2	5350	850	925	1545	1400	500	130	200	450	1940	2750	o.r.
1RN7 458-4PA60-0AA0	5350	850	925	1545	1400	250	130	200	450	1940	2500	o.r.
1RN7 458-4PA60-0AC0	5400	850	925	1545	1400	500	130	200	450	1940	2750	o.r.
1RN7 458-4PA60-0CA2	5550	850	925	1545	1400	250	130	200	450	1940	2500	o.r.
1RN7 458-4PA60-0CC2	5600	850	925	1545	1400	500	130	200	450	1940	2750	o.r.
1RN7 503-4PA60-0AA2	6150	950	1005	1705	1320	315	160	240	500	2640	2140	o.r.
1RN7 503-4PA60-0AC2	6200	950	1005	1705	1320	560	170	240	500	2640	2380	o.r.
1RN7 503-4PA60-0CA2	6300	950	1005	1705	1320	315	160	240	500	2640	2140	o.r.
1RN7 503-4PA60-0CC2	6350	950	1005	1705	1320	560	170	240	500	2640	2380	o.r.



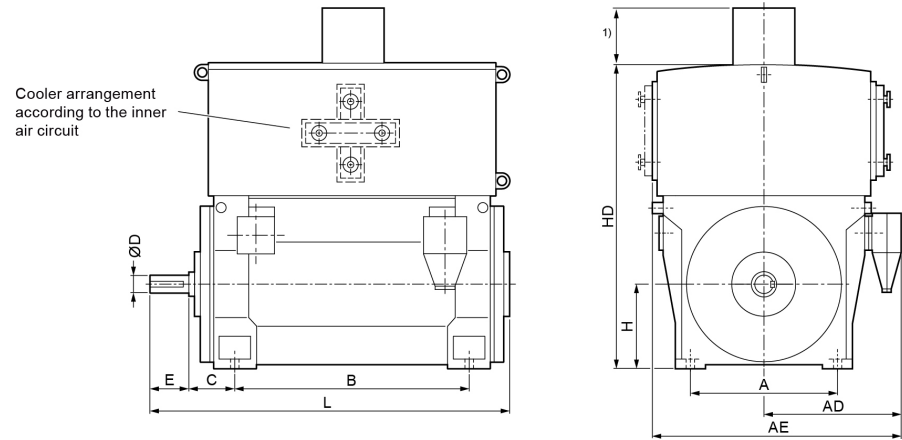
Motor type	Weight	Dimensions										
		A	AD	AE	B	C	D	E	H	HD	L	ML
	kg	mm	mm	mm	mm	mm	mm	mm	mm	mm	mm	mm
Innomotics HV M - 1RN. IC86W 6000 V / 50 Hz B3 (IM 1001) - Dimension drawings												
1RN7 504-4PA60-0AA2	6400	950	1005	1705	1320	315	160	240	500	2640	2140	o.r.
1RN7 504-4PA60-0AC2	6500	950	1005	1705	1320	560	170	240	500	2640	2380	o.r.
1RN7 504-4PA60-0CA2	6550	950	1005	1705	1320	315	160	240	500	2640	2140	o.r.
1RN7 504-4PA60-0CC2	6650	950	1005	1705	1320	560	170	240	500	2640	2380	o.r.
1RN7 507-4PA60-0AA2	7100	950	1005	1705	1500	315	160	240	500	2640	2350	o.r.
1RN7 507-4PA60-0AC2	7150	950	1005	1705	1500	560	170	240	500	2640	2590	o.r.
1RN7 507-4PA60-0CA2	7250	950	1005	1705	1500	315	160	240	500	2640	2350	o.r.
1RN7 507-4PA60-0CC2	7350	950	1005	1705	1500	560	170	240	500	2640	2590	o.r.
1RN7 508-4PA60-0CA2	7600	950	1005	1705	1500	315	160	240	500	2640	2350	o.r.
1RN7 508-4PA60-0CC2	7700	950	1005	1705	1500	560	170	240	500	2640	2590	o.r.
1RN7 508-4PA60-0AA2	7350	950	1005	1705	1500	315	160	240	500	2640	2350	o.r.
1RN7 508-4PA60-0AC2	7450	950	1005	1705	1500	560	170	240	500	2640	2590	o.r.
1RN7 562-4PA60-0CA2	8200	1060	1290	2060	1400	335	190	280	560	2830	2340	o.r.
1RN7 562-4PA60-0CC2	8250	1060	1290	2060	1400	600	190	280	560	2830	2610	o.r.
1RN7 563-4PA60-0CA2	8400	1060	1290	2060	1400	335	190	280	560	2830	2340	o.r.
1RN7 563-4PA60-0CC2	8500	1060	1290	2060	1400	600	190	280	560	2830	2610	o.r.
1RN7 564-4PA60-0CA2	8900	1060	1290	2060	1400	335	190	280	560	2830	2340	o.r.
1RN7 564-4PA60-0CC2	8950	1060	1290	2060	1400	600	190	280	560	2830	2610	o.r.
1RN7 566-4PA60-0CA2	9700	1060	1290	2060	1600	335	190	280	560	2830	2570	o.r.
1RN7 566-4PA60-0CC2	9750	1060	1290	2060	1600	600	190	280	560	2830	2840	o.r.
1RN7 567-4PA60-0CA2	10200	1060	1290	2060	1600	335	190	280	560	2830	2570	o.r.
1RN7 567-4PA60-0CC2	10250	1060	1290	2060	1600	600	190	280	560	2830	2840	o.r.
1RN7 568-4PA60-0CA2	10650	1060	1290	2060	1600	335	190	280	560	2830	2570	o.r.



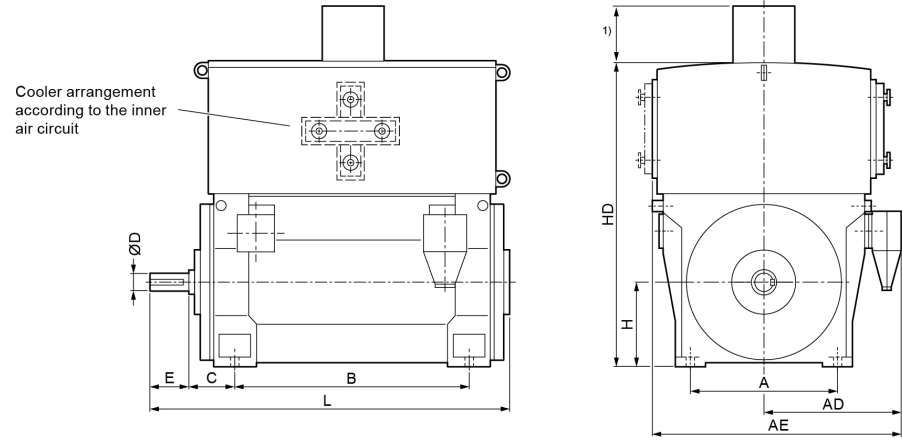
Motor type	Weight	Dimensions										
		A	AD	AE	B	C	D	E	H	HD	L	ML
	kg	mm	mm	mm	mm	mm	mm	mm	mm	mm	mm	mm
Innomotics HV M - 1RN. IC86W 6000 V / 50 Hz B3 (IM 1001) - Dimension drawings												
1RN7 568-4PA60-0CC2	10700	1060	1290	2060	1600	600	190	280	560	2830	2840	o.r.
1RN8 633-4PA60-0CG0	10900	1320	1520	2520	1600	375	200	280	630	3090	2620	o.r.
1RN8 633-4PA60-0CJ0	11000	1320	1520	2520	1600	630	200	280	630	3090	2870	o.r.
1RN8 634-4PA60-0CG0	11300	1320	1520	2520	1600	375	200	280	630	3090	2620	o.r.
1RN8 634-4PA60-0CJ0	11400	1320	1520	2520	1600	630	200	280	630	3090	2870	o.r.
1RN8 637-4PA60-0CG0	12150	1320	1520	2520	1800	375	200	280	630	3090	2820	o.r.
1RN8 637-4PA60-0CJ0	12250	1320	1520	2520	1800	630	200	280	630	3090	3070	o.r.
1RN8 638-4PA60-0CG0	12850	1320	1520	2520	1800	375	200	280	630	3090	2820	o.r.
1RN8 638-4PA60-0CJ0	12950	1320	1520	2520	1800	630	200	280	630	3090	3070	o.r.
1RN8 712-4PA60-0CG0	14750	1500	1620	2720	2000	375	220	280	710	3360	3010	o.r.
1RN8 712-4PA60-0CJ0	14900	1500	1620	2720	2000	630	220	280	710	3360	3260	o.r.
1RN8 713-4PA60-0CG0	15400	1500	1620	2720	2000	375	220	280	710	3360	3010	o.r.
1RN8 713-4PA60-0CJ0	15550	1500	1620	2720	2000	630	220	280	710	3360	3260	o.r.
1RN8 714-4PA60-0CG0	16250	1500	1620	2720	2000	375	220	280	710	3360	3010	o.r.
1RN8 714-4PA60-0CJ0	16350	1500	1620	2720	2000	630	220	280	710	3360	3260	o.r.
1RN8 717-4PA60-0CG0	17350	1500	1620	2720	2240	375	220	280	710	3360	3250	o.r.
1RN8 717-4PA60-0CJ0	17500	1500	1620	2720	2240	630	220	280	710	3360	3500	o.r.
1RN8 718-4PA60-0CG0	17950	1500	1620	2720	2240	375	220	280	710	3360	3250	o.r.
1RN8 718-4PA60-0CJ0	18050	1500	1620	2720	2240	630	220	280	710	3360	3500	o.r.
6-pole												
1RN7 453-6PA60-0AA0	4400	850	925	1545	1180	250	130	200	450	1940	2290	o.r.
1RN7 453-6PA60-0AC0	4450	850	925	1545	1180	500	130	200	450	1940	2540	o.r.
1RN7 453-6PA60-0CA0	4550	850	925	1545	1180	250	130	200	450	1940	2290	o.r.



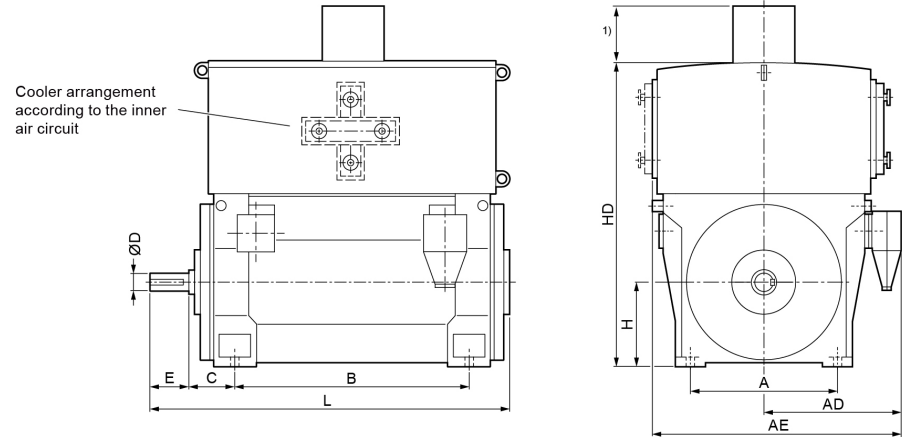
Motor type	Weight	Dimensions										
		A	AD	AE	B	C	D	E	H	HD	L	ML
	kg	mm	mm	mm	mm	mm	mm	mm	mm	mm	mm	mm
Innomotics HV M - 1RN. IC86W 6000 V / 50 Hz B3 (IM 1001) - Dimension drawings												
1RN7 453-6PA60-0CC0	4600	850	925	1545	1180	500	130	200	450	1940	2540	o.r.
1RN7 454-6PA60-0AA0	4600	850	925	1545	1180	250	130	200	450	1940	2290	o.r.
1RN7 454-6PA60-0AC0	4650	850	925	1545	1180	500	130	200	450	1940	2540	o.r.
1RN7 454-6PA60-0CA0	4750	850	925	1545	1180	250	130	200	450	1940	2290	o.r.
1RN7 454-6PA60-0CC0	4800	850	925	1545	1180	500	130	200	450	1940	2540	o.r.
1RN7 457-6PA60-0AA0	5050	850	925	1545	1400	250	130	200	450	1940	2500	o.r.
1RN7 457-6PA60-0AC0	5100	850	925	1545	1400	500	130	200	450	1940	2750	o.r.
1RN7 457-6PA60-0CA0	5250	850	925	1545	1400	250	130	200	450	1940	2500	o.r.
1RN7 457-6PA60-0CC0	5250	850	925	1545	1400	500	130	200	450	1940	2750	o.r.
1RN7 458-6PA60-0AA0	5350	850	925	1545	1400	250	130	200	450	1940	2500	o.r.
1RN7 458-6PA60-0AC0	5350	850	925	1545	1400	500	130	200	450	1940	2750	o.r.
1RN7 458-6PA60-0CA0	5550	850	925	1545	1400	250	130	200	450	1940	2500	o.r.
1RN7 458-6PA60-0CC0	5550	850	925	1545	1400	500	130	200	450	1940	2750	o.r.
1RN7 502-6PA60-0AA2	6000	950	1005	1705	1320	315	160	240	500	2230	2520	o.r.
1RN7 502-6PA60-0AC2	6050	950	1005	1705	1320	560	170	240	500	2230	2760	o.r.
1RN7 502-6PA60-0CA2	6150	950	1005	1705	1320	315	160	240	500	2230	2520	o.r.
1RN7 502-6PA60-0CC2	6250	950	1005	1705	1320	560	170	240	500	2230	2760	o.r.
1RN7 503-6PA60-0AA2	6250	950	1005	1705	1320	315	160	240	500	2230	2520	o.r.
1RN7 503-6PA60-0AC2	6300	950	1005	1705	1320	560	170	240	500	2230	2760	o.r.
1RN7 503-6PA60-0CA2	6450	950	1005	1705	1320	315	160	240	500	2230	2520	o.r.
1RN7 503-6PA60-0CC2	6500	950	1005	1705	1320	560	170	240	500	2230	2760	o.r.
1RN7 504-6PA60-0AA2	6450	950	1005	1705	1320	315	160	240	500	2230	2520	o.r.
1RN7 504-6PA60-0AC2	6500	950	1005	1705	1320	560	170	240	500	2230	2760	o.r.



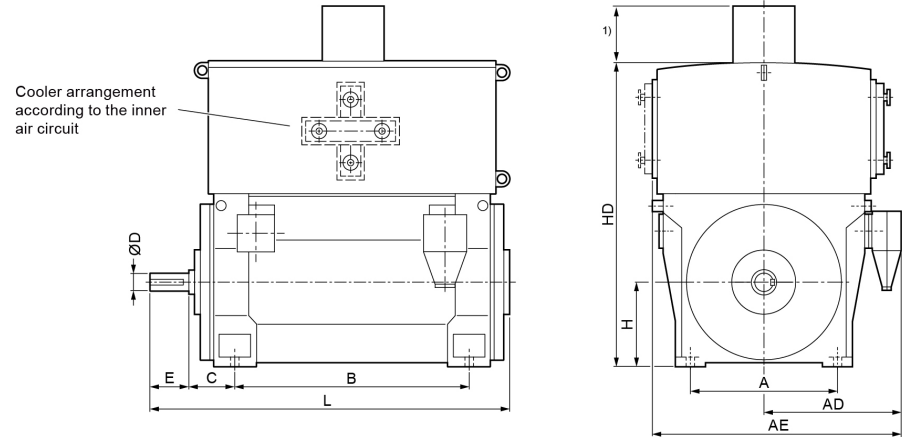
Motor type	Weight	Dimensions										
		A	AD	AE	B	C	D	E	H	HD	L	ML
	kg	mm	mm	mm	mm	mm	mm	mm	mm	mm	mm	mm
Innomotics HV M - 1RN. IC86W 6000 V / 50 Hz B3 (IM 1001) - Dimension drawings												
1RN7 504-6PA60-0CA2	6700	950	1005	1705	1320	315	160	240	500	2230	2520	o.r.
1RN7 504-6PA60-0CC2	6750	950	1005	1705	1320	560	170	240	500	2230	2760	o.r.
1RN7 507-6PA60-0AA2	7150	950	1005	1705	1500	315	160	240	500	2230	2730	o.r.
1RN7 507-6PA60-0AC2	7200	950	1005	1705	1500	560	170	240	500	2230	2970	o.r.
1RN7 507-6PA60-0CA2	7400	950	1005	1705	1500	315	160	240	500	2230	2730	o.r.
1RN7 507-6PA60-0CC2	7450	950	1005	1705	1500	560	170	240	500	2230	2970	o.r.
1RN7 508-6PA60-0AA2	7500	950	1005	1705	1500	315	160	240	500	2230	2730	o.r.
1RN7 508-6PA60-0AC2	7550	950	1005	1705	1500	560	170	240	500	2230	2970	o.r.
1RN7 508-6PA60-0CA2	7750	950	1005	1705	1500	315	160	240	500	2230	2730	o.r.
1RN7 508-6PA60-0CC2	7800	950	1005	1705	1500	560	170	240	500	2230	2970	o.r.
1RN7 562-6PA60-0CA2	8800	1060	1290	2060	1400	335	190	280	560	2680	2770	o.r.
1RN7 562-6PA60-0CC2	8850	1060	1290	2060	1400	600	190	280	560	2680	3030	o.r.
1RN7 563-6PA60-0CA2	9100	1060	1290	2060	1400	335	190	280	560	2680	2770	o.r.
1RN7 563-6PA60-0CC2	9200	1060	1290	2060	1400	600	190	280	560	2680	3030	o.r.
1RN7 564-6PA60-0CA2	9450	1060	1290	2060	1400	335	190	280	560	2680	2770	o.r.
1RN7 564-6PA60-0CC2	9550	1060	1290	2060	1400	600	190	280	560	2680	3030	o.r.
1RN7 567-6PA60-0CA2	10250	1060	1290	2060	1600	335	190	280	560	2680	3000	o.r.
1RN7 567-6PA60-0CC2	10350	1060	1290	2060	1600	600	190	280	560	2680	3260	o.r.
1RN7 568-6PA60-0CA2	10900	1060	1290	2060	1600	335	190	280	560	2680	3000	o.r.
1RN7 568-6PA60-0CC2	11000	1060	1290	2060	1600	600	190	280	560	2680	3260	o.r.
1RN8 632-6PA60-0CG0	10800	1320	1520	2520	1600	375	200	280	630	3090	2620	o.r.
1RN8 632-6PA60-0CJ0	10900	1320	1520	2520	1600	630	200	280	630	3090	2870	o.r.
1RN8 633-6PA60-0CG0	11150	1320	1520	2520	1600	375	200	280	630	3090	2620	o.r.



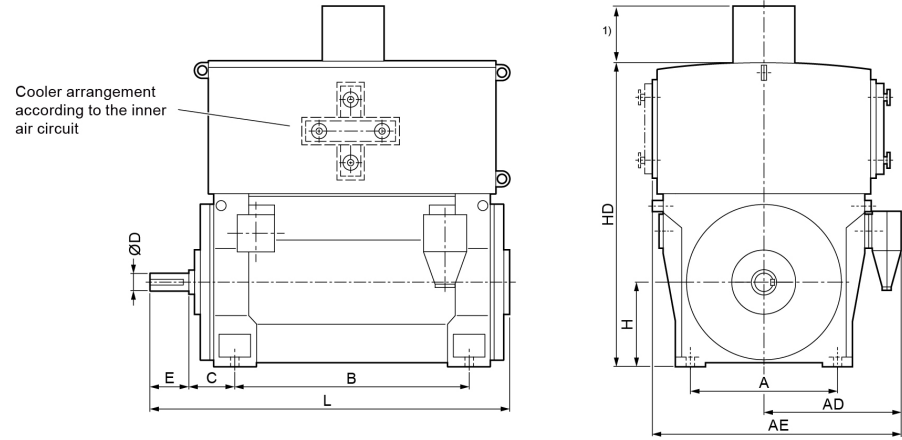
Motor type	Weight	Dimensions										
		A	AD	AE	B	C	D	E	H	HD	L	ML
	kg	mm	mm	mm	mm	mm	mm	mm	mm	mm	mm	mm
Innomotics HV M - 1RN. IC86W 6000 V / 50 Hz B3 (IM 1001) - Dimension drawings												
1RN8 633-6PA60-0CJ0	11250	1320	1520	2520	1600	630	200	280	630	3090	2870	o.r.
1RN8 634-6PA60-0CG0	11800	1320	1520	2520	1600	375	200	280	630	3090	2620	o.r.
1RN8 634-6PA60-0CJ0	11900	1320	1520	2520	1600	630	200	280	630	3090	2870	o.r.
1RN8 637-6PA60-0CG0	12550	1320	1520	2520	1800	375	200	280	630	3090	2820	o.r.
1RN8 637-6PA60-0CJ0	12650	1320	1520	2520	1800	630	200	280	630	3090	3070	o.r.
1RN8 638-6PA60-0CG0	13100	1320	1520	2520	1800	375	200	280	630	3090	2820	o.r.
1RN8 638-6PA60-0CJ0	13200	1320	1520	2520	1800	630	200	280	630	3090	3070	o.r.
1RN8 712-6PA60-0CG0	14600	1500	1620	2720	2000	375	220	280	710	3360	3010	o.r.
1RN8 712-6PA60-0CJ0	14700	1500	1620	2720	2000	630	220	280	710	3360	3260	o.r.
1RN8 713-6PA60-0CG0	15550	1500	1620	2720	2000	375	220	280	710	3360	3010	o.r.
1RN8 713-6PA60-0CJ0	15700	1500	1620	2720	2000	630	220	280	710	3360	3260	o.r.
1RN8 714-6PA60-0CG0	16600	1500	1620	2720	2000	375	220	280	710	3360	3010	o.r.
1RN8 714-6PA60-0CJ0	16750	1500	1620	2720	2000	630	220	280	710	3360	3260	o.r.
1RN8 717-6PA60-0CG0	18050	1500	1620	2720	2240	375	220	280	710	3360	3250	o.r.
1RN8 717-6PA60-0CJ0	18200	1500	1620	2720	2240	630	220	280	710	3360	3500	o.r.
1RN8 718-6PA60-0CG0	18950	1500	1620	2720	2240	375	220	280	710	3360	3250	o.r.
1RN8 718-6PA60-0CJ0	19100	1500	1620	2720	2240	630	220	280	710	3360	3500	o.r.
8-pole												
1RN7 452-8PA60-0AA0	4400	850	925	1545	1180	250	130	200	450	1940	2290	o.r.
1RN7 452-8PA60-0AC0	4400	850	925	1545	1180	500	130	200	450	1940	2540	o.r.
1RN7 452-8PA60-0CA0	4550	850	925	1545	1180	250	130	200	450	1940	2290	o.r.
1RN7 452-8PA60-0CC0	4550	850	925	1545	1180	500	130	200	450	1940	2540	o.r.
1RN7 453-8PA60-0AA0	4600	850	925	1545	1180	250	130	200	450	1940	2290	o.r.



Motor type	Weight	Dimensions										
		A	AD	AE	B	C	D	E	H	HD	L	ML
	kg	mm	mm	mm	mm	mm	mm	mm	mm	mm	mm	mm
Innomotics HV M - 1RN. IC86W 6000 V / 50 Hz B3 (IM 1001) - Dimension drawings												
1RN7 453-8PA60-0AC0	4650	850	925	1545	1180	500	130	200	450	1940	2540	o.r.
1RN7 453-8PA60-0CA0	4750	850	925	1545	1180	250	130	200	450	1940	2290	o.r.
1RN7 453-8PA60-0CC0	4800	850	925	1545	1180	500	130	200	450	1940	2540	o.r.
1RN7 454-8PA60-0AA2	4850	850	925	1545	1180	250	130	200	450	1940	2290	o.r.
1RN7 454-8PA60-0AC2	4850	850	925	1545	1180	500	130	200	450	1940	2540	o.r.
1RN7 454-8PA60-0CA0	5000	850	925	1545	1180	250	130	200	450	1940	2290	o.r.
1RN7 454-8PA60-0CC0	5050	850	925	1545	1180	500	130	200	450	1940	2540	o.r.
1RN7 457-8PA60-0AA0	5350	850	925	1545	1400	250	130	200	450	1940	2500	o.r.
1RN7 457-8PA60-0AC0	5350	850	925	1545	1400	500	130	200	450	1940	2750	o.r.
1RN7 457-8PA60-0CA2	5500	850	925	1545	1400	250	130	200	450	1940	2500	o.r.
1RN7 457-8PA60-0CC2	5550	850	925	1545	1400	500	130	200	450	1940	2750	o.r.
1RN7 458-8PA60-0AA0	5600	850	925	1545	1400	250	130	200	450	1940	2500	o.r.
1RN7 458-8PA60-0AC0	5600	850	925	1545	1400	500	130	200	450	1940	2750	o.r.
1RN7 458-8PA60-0CA0	5800	850	925	1545	1400	250	130	200	450	1940	2500	o.r.
1RN7 458-8PA60-0CC0	5800	850	925	1545	1400	500	130	200	450	1940	2750	o.r.
1RN7 502-8PA60-0AA2	5950	950	1005	1705	1320	315	160	240	500	2230	2520	o.r.
1RN7 502-8PA60-0AC2	6000	950	1005	1705	1320	560	170	240	500	2230	2760	o.r.
1RN7 502-8PA60-0CA2	6150	950	1005	1705	1320	315	160	240	500	2230	2520	o.r.
1RN7 502-8PA60-0CC2	6200	950	1005	1705	1320	560	170	240	500	2230	2760	o.r.
1RN7 503-8PA60-0AA2	6200	950	1005	1705	1320	315	160	240	500	2230	2520	o.r.
1RN7 503-8PA60-0AC2	6250	950	1005	1705	1320	560	170	240	500	2230	2760	o.r.
1RN7 503-8PA60-0CA2	6450	950	1005	1705	1320	315	160	240	500	2230	2520	o.r.
1RN7 503-8PA60-0CC2	6500	950	1005	1705	1320	560	170	240	500	2230	2760	o.r.



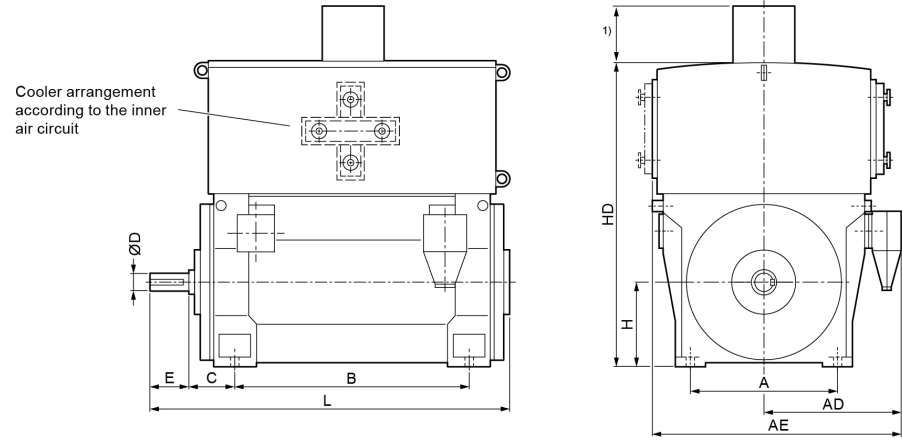
Motor type	Weight	Dimensions										
		A	AD	AE	B	C	D	E	H	HD	L	ML
	kg	mm	mm	mm	mm	mm	mm	mm	mm	mm	mm	mm
Innomotics HV M - 1RN. IC86W 6000 V / 50 Hz B3 (IM 1001) - Dimension drawings												
1RN7 504-8PA60-0AA2	6500	950	1005	1705	1320	315	160	240	500	2230	2520	o.r.
1RN7 504-8PA60-0AC2	6550	950	1005	1705	1320	560	170	240	500	2230	2760	o.r.
1RN7 504-8PA60-0CA2	6750	950	1005	1705	1320	315	160	240	500	2230	2520	o.r.
1RN7 504-8PA60-0CC2	6800	950	1005	1705	1320	560	170	240	500	2230	2760	o.r.
1RN7 507-8PA60-0AA2	7150	950	1005	1705	1500	315	160	240	500	2230	2730	o.r.
1RN7 507-8PA60-0AC2	7200	950	1005	1705	1500	560	170	240	500	2230	2970	o.r.
1RN7 507-8PA60-0CA2	7400	950	1005	1705	1500	315	160	240	500	2230	2730	o.r.
1RN7 507-8PA60-0CC2	7500	950	1005	1705	1500	560	170	240	500	2230	2970	o.r.
1RN7 508-8PA60-0AA2	7500	950	1005	1705	1500	315	160	240	500	2230	2730	o.r.
1RN7 508-8PA60-0AC2	7550	950	1005	1705	1500	560	170	240	500	2230	2970	o.r.
1RN7 508-8PA60-0CA2	7750	950	1005	1705	1500	315	160	240	500	2230	2730	o.r.
1RN7 508-8PA60-0CC2	7850	950	1005	1705	1500	560	170	240	500	2230	2970	o.r.
1RN7 563-8PA60-0CA2	8800	1060	1075	1845	1400	335	190	280	560	2680	2770	o.r.
1RN7 563-8PA60-0CC2	8900	1060	1075	1845	1400	600	190	280	560	2680	3030	o.r.
1RN7 564-8PA60-0CA2	9250	1060	1075	1845	1400	335	190	280	560	2680	2770	o.r.
1RN7 564-8PA60-0CC2	9350	1060	1075	1845	1400	600	190	280	560	2680	3030	o.r.
1RN7 567-8PA60-0CA2	10100	1060	1075	1845	1600	335	190	280	560	2680	3000	o.r.
1RN7 567-8PA60-0CC2	10200	1060	1075	1845	1600	600	190	280	560	2680	3260	o.r.
1RN7 568-8PA60-0CA2	10650	1060	1075	1845	1600	335	190	280	560	2680	3000	o.r.
1RN7 568-8PA60-0CC2	10750	1060	1075	1845	1600	600	190	280	560	2680	3260	o.r.
1RN8 633-8PA60-0CG0	10000	1320	1520	2520	1600	375	200	280	630	3090	2620	o.r.
1RN8 633-8PA60-0CJ0	10100	1320	1520	2520	1600	630	200	280	630	3090	2870	o.r.
1RN8 634-8PA60-0CG0	10750	1320	1520	2520	1600	375	200	280	630	3090	2620	o.r.



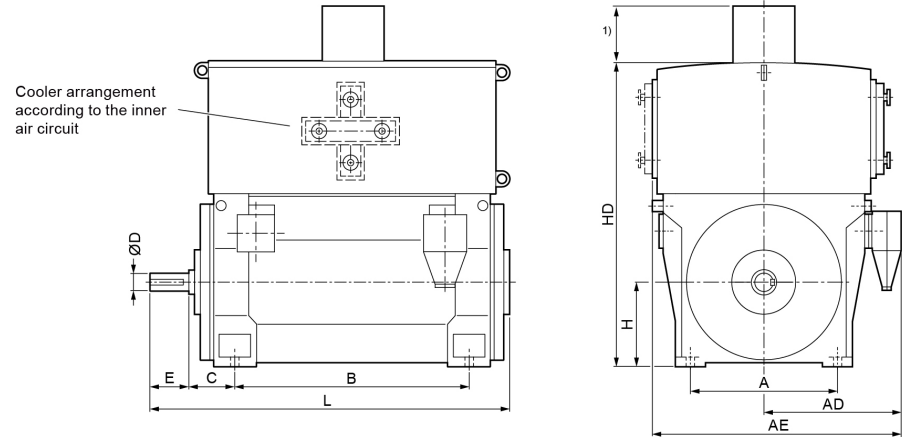
Motor type	Weight	Dimensions										
		A	AD	AE	B	C	D	E	H	HD	L	ML
	kg	mm	mm	mm	mm	mm	mm	mm	mm	mm	mm	mm
Innomotics HV M - 1RN. IC86W 6000 V / 50 Hz B3 (IM 1001) - Dimension drawings												
1RN8 634-8PA60-0CJ0	10850	1320	1520	2520	1600	630	200	280	630	3090	2870	o.r.
1RN8 637-8PA60-0CG0	11950	1320	1520	2520	1800	375	200	280	630	3090	2820	o.r.
1RN8 637-8PA60-0CJ0	12050	1320	1520	2520	1800	630	200	280	630	3090	3070	o.r.
1RN8 638-8PA60-0CG0	12650	1320	1520	2520	1800	375	200	280	630	3090	2820	o.r.
1RN8 638-8PA60-0CJ0	12750	1320	1520	2520	1800	630	200	280	630	3090	3070	o.r.
1RN8 712-8PA60-0CG0	14100	1500	1620	2720	2000	375	220	280	710	3270	3010	o.r.
1RN8 712-8PA60-0CJ0	14300	1500	1620	2720	2000	630	220	280	710	3270	3260	o.r.
1RN8 713-8PA60-0CG0	14850	1500	1620	2720	2000	375	220	280	710	3270	3010	o.r.
1RN8 713-8PA60-0CJ0	15050	1500	1620	2720	2000	630	220	280	710	3270	3260	o.r.
1RN8 714-8PA60-0CG0	16050	1500	1620	2720	2000	375	220	280	710	3270	3010	o.r.
1RN8 714-8PA60-0CJ0	16250	1500	1620	2720	2000	630	220	280	710	3270	3260	o.r.
1RN8 717-8PA60-0CG0	17650	1500	1620	2720	2240	375	220	280	710	3270	3250	o.r.
1RN8 717-8PA60-0CJ0	17850	1500	1620	2720	2240	630	220	280	710	3270	3500	o.r.
1RN8 718-8PA60-0CG0	18650	1500	1620	2720	2240	375	220	280	710	3270	3250	o.r.
1RN8 718-8PA60-0CJ0	18850	1500	1620	2720	2240	630	220	280	710	3270	3500	o.r.

Innomotics HV M - 1RN. IC86W 6600 V / 60 Hz B3 (IM 1001)																			
Rated power IEC	Article No.	Speed rpm	Rated current I _R A	Efficiency				Power factor				Torque T _R Nm	Breakdown torque T _B / T _R [-]	Locked rotor torque T _{LR} / T _R [-]	Locked rotor current I _{LR} / I _R [-]	Inertia			
				5/4 load	4/4 load	3/4 load	2/4 load	5/4 load	4/4 load	3/4 load	2/4 load					motor	external	Startup max T/TR	
kW				%	%	%	%	cos φ	cos φ	cos φ	cos φ						kgm ²	kgm ²	[-]
2-pole: n_{sync} = 3600 rpm at 60 Hz																			
1760	1RN7 452-2PA10-0C.0	3572	182	95.5	96.1	96.2	95.8	0.86	0.88	0.88	0.87	4705	2.00	0.50	4.5	13	80	o.r.	
2000	1RN7 453-2PA10-0A.0	3574	210	95.7	96.3	96.4	95.9	0.85	0.87	0.85	0.81	5344	2.05	0.40	5.0	10	15	o.r.	
2050	1RN7 453-2PA10-0C.0	3572	210	95.6	96.3	96.3	95.9	0.86	0.88	0.88	0.87	5480	2.00	0.50	4.5	14	80	o.r.	
2150	1RN7 454-2PA10-0A.0	3575	220	95.8	96.4	96.5	96.1	0.87	0.88	0.87	0.83	5743	2.20	0.50	5.1	11	20	o.r.	
2200	1RN7 454-2PA10-0C.0	3573	225	95.8	96.4	96.4	96.1	0.88	0.89	0.90	0.88	5880	2.10	0.50	5.0	15	85	o.r.	
2400	1RN7 457-2PA10-0A.0	3575	245	96.0	96.5	96.6	96.1	0.86	0.88	0.87	0.83	6411	2.20	0.50	5.2	12	20	o.r.	
2450	1RN7 457-2PA10-0C.0	3574	250	95.9	96.5	96.6	96.2	0.87	0.89	0.89	0.88	6546	2.10	0.50	5.0	16	90	o.r.	
2550	1RN7 458-2PA10-0A.0	3576	255	96.1	96.7	96.8	96.4	0.88	0.90	0.89	0.86	6809	2.30	0.55	5.5	13	25	o.r.	
2600	1RN7 458-2PA10-0C.0	3574	260	96.1	96.6	96.8	96.4	0.89	0.91	0.91	0.90	6947	2.25	0.60	5.2	17	95	o.r.	
3150	1RN7 503-2PA10-0C.0	3573	325	96.2	96.6	96.8	96.6	0.87	0.88	0.89	0.86	8419	2.15	0.60	4.2	20	62	o.r.	
3400	1RN7 504-2PA10-0C.0	3573	350	96.3	96.7	96.9	96.7	0.87	0.88	0.89	0.84	9087	2.15	0.60	4.2	21	58	o.r.	
3800	1RN7 507-2PA10-0C.0	3574	385	96.5	96.9	97.1	96.9	0.88	0.89	0.90	0.87	10153	2.20	0.65	4.4	24	64	o.r.	
4200	1RN7 508-2PA10-0C.0	3578	420	96.8	97.1	97.2	96.9	0.90	0.90	0.90	0.86	11209	2.55	0.70	5.3	27	74	o.r.	
4910	1RN7 562-2PA10-0CC0	3578	500	96.3	96.7	96.8	96.4	0.85	0.88	0.88	0.86	13104	2.00	0.50	4.6	41	145	o.r.	
5730	1RN7 564-2PA10-0CC0	3581	590	96.5	96.9	96.9	96.4	0.86	0.88	0.88	0.86	15280	2.15	0.50	4.9	47	160	o.r.	
6010	1RN7 567-2PA10-0CC0	3581	600	96.6	97.0	97.0	96.6	0.88	0.90	0.90	0.88	16027	2.30	0.50	5.2	52	180	o.r.	
6960	1RN7 568-2PA10-0CC0	3583	700	96.9	97.2	97.2	96.8	0.88	0.90	0.89	0.87	18550	2.35	0.55	5.4	58	185	o.r.	
7500	1RN8 632-2PA10-0CJ0	3579	780	96.5	97.0	96.8	96.1	0.84	0.87	0.88	0.88	20011	1.85	0.45	4.4	75	120	o.r.	
8350	1RN8 633-2PA10-0CJ0	3580	850	96.7	97.1	96.9	96.3	0.85	0.88	0.89	0.89	22273	1.90	0.50	4.6	82	120	o.r.	
9200	1RN8 634-2PA10-0CJ0	3580	930	97.0	97.3	97.1	96.4	0.87	0.89	0.90	0.89	24540	2.10	0.50	5.0	90	120	o.r.	
10400	1RN8 637-2PA10-0CJ0	3581	1040	97.0	97.4	97.2	96.6	0.87	0.90	0.90	0.90	27733	2.10	0.55	5.0	99	100	o.r.	
11550	1RN8 638-2PA10-0CJ0	3582	1160	97.2	97.5	97.3	96.8	0.88	0.90	0.91	0.90	30791	2.15	0.55	5.2	108	100	o.r.	
12400	1RN8 713-2PA10-0CJ0	3584	1260	96.8	97.0	96.8	96.1	0.85	0.89	0.89	0.89	33039	1.80	0.40	4.1	160	50	o.r.	
13700	1RN8 714-2PA10-0CJ0	3585	1360	97.1	97.2	97.0	96.3	0.88	0.90	0.90	0.90	36492	1.95	0.50	4.7	173	40	o.r.	
15300	1RN8 716-2PA10-0CJ0	3585	1520	97.2	97.3	97.1	96.4	0.88	0.90	0.90	0.90	40754	2.00	0.55	4.8	186	30	o.r.	
16000	1RN8 717-2PA10-0CJ0	3586	1580	97.3	97.4	97.1	96.4	0.89	0.91	0.91	0.90	42607	2.15	0.40	5.0	202	30	o.r.	
4-pole: n_{sync} = 1800 rpm at 60 Hz																			
1850	1RN7 453-4PA10-0A.0	1779	194	95.2	96.0	96.4	96.3	0.86	0.87	0.85	0.80	9930	2.10	0.55	5.0	17	150	o.r.	
1930	1RN7 453-4PA10-0C.0	1782	200	95.4	96.2	96.5	96.4	0.86	0.87	0.85	0.80	10342	2.05	0.45	4.5	23	270	o.r.	
2030	1RN7 454-4PA10-0A.0	1781	210	95.5	96.2	96.5	96.4	0.87	0.88	0.85	0.79	10884	2.25	0.65	5.2	19	185	o.r.	
2110	1RN7 454-4PA10-0C.0	1783	220	95.6	96.3	96.6	96.6	0.87	0.88	0.87	0.82	11301	2.05	0.45	4.5	25	300	o.r.	
2350	1RN7 457-4PA10-0A.0	1782	240	95.9	96.5	96.7	96.6	0.88	0.88	0.86	0.79	12593	2.45	0.75	5.8	22	245	o.r.	
2450	1RN7 457-4PA10-0C.0	1785	250	96.0	96.6	96.9	96.7	0.88	0.89	0.87	0.82	13107	2.20	0.50	5.0	30	385	o.r.	
2550	1RN7 458-4PA10-0A.0	1782	260	96.0	96.6	96.8	96.7	0.88	0.89	0.87	0.81	13665	2.45	0.75	5.8	24	250	o.r.	
2700	1RN7 458-4PA10-0C.0	1786	275	96.2	96.8	97.0	96.8	0.88	0.89	0.87	0.81	14436	2.35	0.55	5.2	32	415	o.r.	
3050	1RN7 503-4PA10-0A.0	1784	315	96.2	96.8	97.1	97.0	0.86	0.87	0.87	0.83	16326	2.15	0.65	4.7	37	370	o.r.	

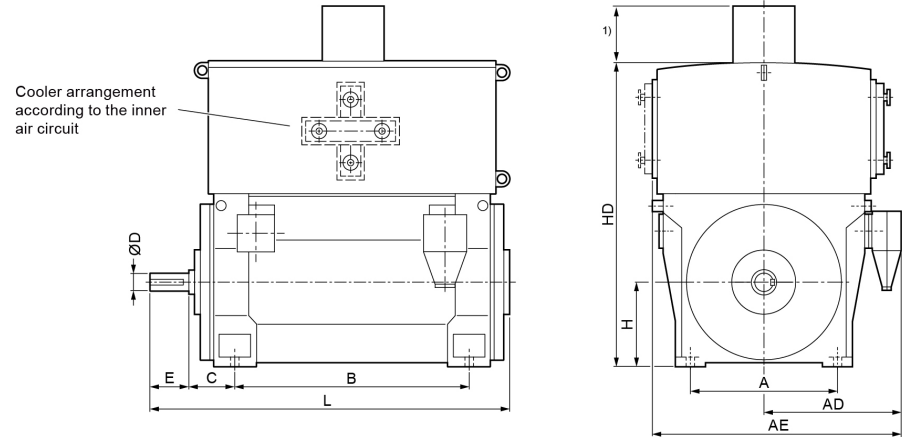
Innomotics HV M - 1RN. IC86W 6600 V / 60 Hz B3 (IM 1001)																		
Rated power IEC	Article No.	Speed	Rated current I_R	Efficiency				Power factor				Torque T_R	Breakdown torque T_B / T_R	Locked rotor torque T_{LR} / T_R	Locked rotor current I_{LR} / I_R	Inertia		
				5/4 load	4/4 load	3/4 load	2/4 load	5/4 load	4/4 load	3/4 load	2/4 load					motor	external	Startup max T/TR
kW		rpm	A	%	%	%	%	$\cos \varphi$	$\cos \varphi$	$\cos \varphi$	$\cos \varphi$	Nm	[-]	[-]	[-]	kgm ²	kgm ²	[-]
3150	1RN7 564-8PA10-0C.0	894	350	96.3	96.7	97.0	96.7	0.82	0.82	0.79	0.72	33647	2.20	0.60	4.8	137	3005	o.r.
3550	1RN7 567-8PA10-0C.0	893	390	96.3	96.7	97.1	96.9	0.82	0.82	0.81	0.75	37962	2.05	0.55	4.5	150	3015	o.r.
4000	1RN7 568-8PA10-0C.0	894	440	96.5	96.8	97.2	97.0	0.82	0.82	0.81	0.74	42726	2.05	0.55	4.6	165	3725	o.r.
4050	1RN8 633-8PA10-0C.0	892	430	95.8	96.4	96.5	96.2	0.84	0.85	0.82	0.75	43357	1.90	0.40	4.1	216	2690	o.r.
4850	1RN8 634-8PA10-0C.0	892	520	96.0	96.6	96.7	96.4	0.84	0.85	0.82	0.76	51922	1.90	0.40	4.1	251	2950	o.r.
5400	1RN8 637-8PA10-0C.0	893	570	96.4	96.8	96.8	96.4	0.85	0.86	0.82	0.75	57745	2.05	0.40	4.5	292	3640	o.r.
5700	1RN8 638-8PA10-0C.0	894	600	96.5	96.9	96.9	96.5	0.85	0.86	0.82	0.75	60885	2.15	0.50	5.0	326	4290	o.r.
6100	1RN8 712-8PA10-0C.0	895	640	96.6	97.0	96.9	96.6	0.86	0.86	0.82	0.74	65085	2.30	0.55	5.0	422	3590	o.r.
6900	1RN8 713-8PA10-0C.0	895	720	96.8	97.1	97.0	96.6	0.86	0.86	0.82	0.74	73620	2.40	0.55	5.1	474	4020	o.r.
7900	1RN8 714-8PA10-0C.0	895	820	96.9	97.2	97.1	96.7	0.87	0.87	0.82	0.74	84290	2.50	0.60	5.3	542	4540	o.r.
9250	1RN8 717-8PA10-0C.0	895	960	97.1	97.3	97.3	96.8	0.87	0.87	0.82	0.74	98694	2.45	0.55	5.3	620	4970	o.r.
10000	1RN8 718-8PA10-0C.0	895	1040	97.2	97.4	97.3	96.9	0.87	0.87	0.83	0.74	106696	2.55	0.55	5.5	684	5590	o.r.



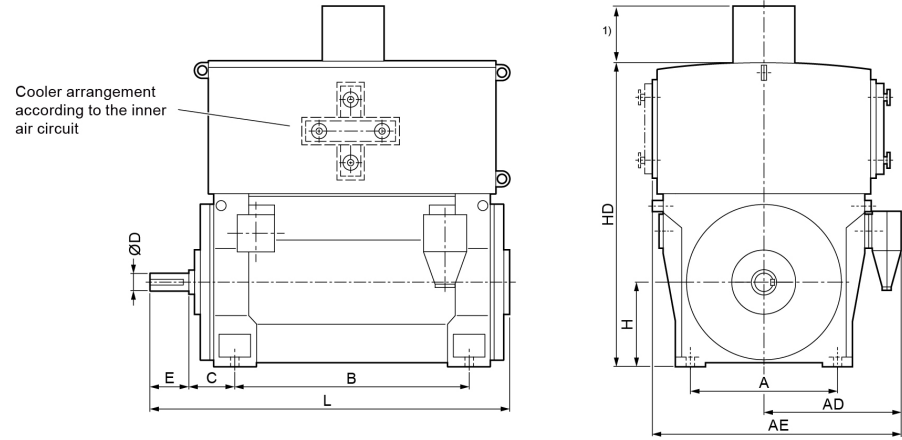
Motor type	Weight	Dimensions										
		A	AD	AE	B	C	D	E	H	HD	L	ML
	kg	mm	mm	mm	mm	mm	mm	mm	mm	mm	mm	mm
Innomotics HV M - 1RN. IC86W 6600 V / 60 Hz B3 (IM 1001) - Dimension drawings												
2-pole												
1RN7 452-2PA10-0CA0	4400	850	925	1545	1180	250	95	130	450	2350	1790	o.r.
1RN7 452-2PA10-0CC0	4300	850	925	1545	1180	475	95	130	450	2350	2010	o.r.
1RN7 453-2PA10-0AA0	4400	850	925	1545	1180	250	95	130	450	2350	1790	o.r.
1RN7 453-2PA10-0AC0	4300	850	925	1545	1180	475	95	130	450	2350	2010	o.r.
1RN7 453-2PA10-0CA0	4550	850	925	1545	1180	250	95	130	450	2350	1790	o.r.
1RN7 453-2PA10-0CC0	4450	850	925	1545	1180	475	95	130	450	2350	2010	o.r.
1RN7 454-2PA10-0AA0	4500	850	925	1545	1180	250	95	130	450	2350	1790	o.r.
1RN7 454-2PA10-0AC0	4400	850	925	1545	1180	475	95	130	450	2350	2010	o.r.
1RN7 454-2PA10-0CA0	4650	850	925	1545	1180	250	95	130	450	2350	1790	o.r.
1RN7 454-2PA10-0CC0	4550	850	925	1545	1180	475	95	130	450	2350	2010	o.r.
1RN7 457-2PA10-0AA0	4900	850	925	1545	1400	250	95	130	450	2350	2000	o.r.
1RN7 457-2PA10-0AC0	4800	850	925	1545	1400	475	95	130	450	2350	2220	o.r.
1RN7 457-2PA10-0CA0	5050	850	925	1545	1400	250	95	130	450	2350	2000	o.r.
1RN7 457-2PA10-0CC0	4950	850	925	1545	1400	475	95	130	450	2350	2220	o.r.
1RN7 458-2PA10-0AA0	5100	850	925	1545	1400	250	95	130	450	2350	2000	o.r.
1RN7 458-2PA10-0AC0	5000	850	925	1545	1400	475	95	130	450	2350	2220	o.r.
1RN7 458-2PA10-0CA0	5250	850	925	1545	1400	250	95	130	450	2350	2000	o.r.
1RN7 458-2PA10-0CC0	5150	850	925	1545	1400	475	95	130	450	2350	2220	o.r.
1RN7 503-2PA10-0CA0	6000	950	1005	1705	1320	250	110	165	500	2640	2000	o.r.
1RN7 503-2PA10-0CC0	5950	950	1005	1705	1320	530	120	165	500	2640	2280	o.r.
1RN7 504-2PA10-0CA0	6150	950	1005	1705	1320	250	110	165	500	2640	2000	o.r.
1RN7 504-2PA10-0CC0	6050	950	1005	1705	1320	530	120	165	500	2640	2280	o.r.



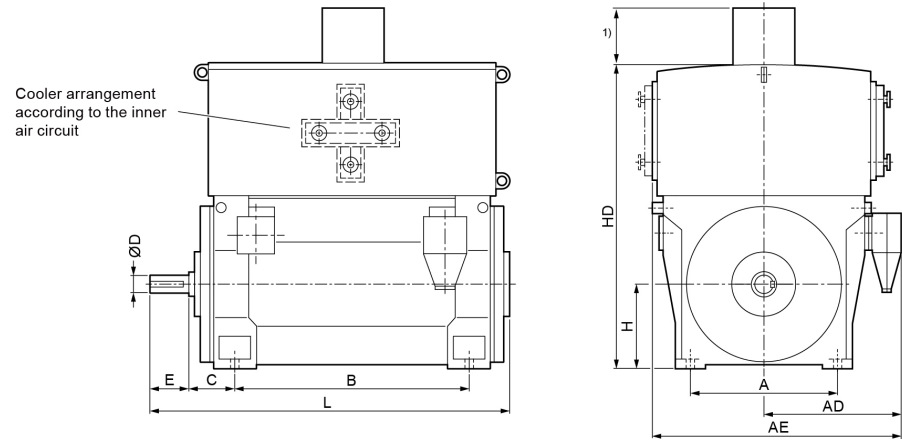
Motor type	Weight	Dimensions										
		A	AD	AE	B	C	D	E	H	HD	L	ML
	kg	mm	mm	mm	mm	mm	mm	mm	mm	mm	mm	mm
Innomotics HV M - 1RN. IC86W 6600 V / 60 Hz B3 (IM 1001) - Dimension drawings												
1RN7 507-2PA10-0CA0	6750	950	1005	1705	1500	250	110	165	500	2640	2210	o.r.
1RN7 507-2PA10-0CC0	6700	950	1005	1705	1500	530	120	165	500	2640	2490	o.r.
1RN7 508-2PA10-0CA0	7150	950	1005	1705	1500	250	110	165	500	2640	2210	o.r.
1RN7 508-2PA10-0CC0	7050	950	1005	1705	1500	530	120	165	500	2640	2490	o.r.
1RN7 562-2PA10-0CC0	8050	1060	1290	2060	1400	600	150	200	560	2830	2530	o.r.
1RN7 564-2PA10-0CC0	8600	1060	1290	2060	1400	600	150	200	560	2830	2530	o.r.
1RN7 567-2PA10-0CC0	9350	1060	1290	2060	1600	600	150	200	560	2830	2760	o.r.
1RN7 568-2PA10-0CC0	10000	1060	1290	2060	1600	600	150	200	560	2830	2760	o.r.
1RN8 632-2PA10-0CJ0	9700	1320	1520	2520	1600	560	160	240	630	3150	2760	o.r.
1RN8 633-2PA10-0CJ0	10200	1320	1520	2520	1600	560	160	240	630	3150	2760	o.r.
1RN8 634-2PA10-0CJ0	10700	1320	1520	2520	1600	560	160	240	630	3150	2760	o.r.
1RN8 637-2PA10-0CJ0	11500	1320	1520	2520	1800	560	160	240	630	3150	2960	o.r.
1RN8 638-2PA10-0CJ0	12200	1320	1520	2520	1800	560	160	240	630	3150	2960	o.r.
1RN8 713-2PA10-0CJ0	14250	1500	1620	2720	2000	560	180	240	710	3410	3150	o.r.
1RN8 714-2PA10-0CJ0	15000	1500	1620	2720	2000	560	180	240	710	3410	3150	o.r.
1RN8 716-2PA10-0CJ0	16050	1500	1620	2720	2240	560	180	240	710	3410	3390	o.r.
1RN8 717-2PA10-0CJ0	16750	1500	1620	2720	2240	560	180	240	710	3410	3390	o.r.
4-pole												
1RN7 453-4PA10-0AA0	4400	850	925	1545	1180	250	130	200	450	1940	2290	o.r.
1RN7 453-4PA10-0AC0	4400	850	925	1545	1180	500	130	200	450	1940	2540	o.r.
1RN7 453-4PA10-0CA0	4500	850	925	1545	1180	250	130	200	450	1940	2290	o.r.
1RN7 453-4PA10-0CC0	4550	850	925	1545	1180	500	130	200	450	1940	2540	o.r.
1RN7 454-4PA10-0AA0	4550	850	925	1545	1180	250	130	200	450	1940	2290	o.r.



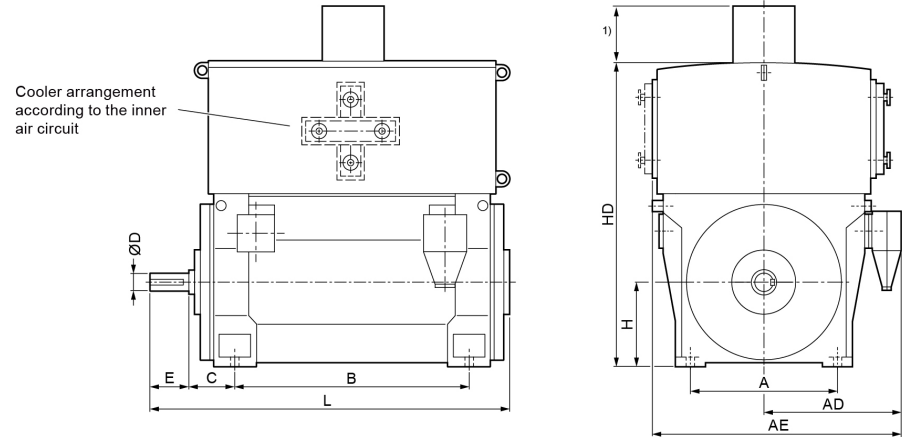
Motor type	Weight	Dimensions										
		A	AD	AE	B	C	D	E	H	HD	L	ML
	kg	mm	mm	mm	mm	mm	mm	mm	mm	mm	mm	mm
Innomotics HV M - 1RN. IC86W 6600 V / 60 Hz B3 (IM 1001) - Dimension drawings												
1RN7 454-4PA10-0AC0	4600	850	925	1545	1180	500	130	200	450	1940	2540	o.r.
1RN7 454-4PA10-0CA0	4700	850	925	1545	1180	250	130	200	450	1940	2290	o.r.
1RN7 454-4PA10-0CC0	4750	850	925	1545	1180	500	130	200	450	1940	2540	o.r.
1RN7 457-4PA10-0AA0	5150	850	925	1545	1400	250	130	200	450	1940	2500	o.r.
1RN7 457-4PA10-0AC0	5200	850	925	1545	1400	500	130	200	450	1940	2750	o.r.
1RN7 457-4PA10-0CA0	5350	850	925	1545	1400	250	130	200	450	1940	2500	o.r.
1RN7 457-4PA10-0CC0	5350	850	925	1545	1400	500	130	200	450	1940	2750	o.r.
1RN7 458-4PA10-0AA0	5400	850	925	1545	1400	250	130	200	450	1940	2500	o.r.
1RN7 458-4PA10-0AC0	5400	850	925	1545	1400	500	130	200	450	1940	2750	o.r.
1RN7 458-4PA10-0CA0	5550	850	925	1545	1400	250	130	200	450	1940	2500	o.r.
1RN7 458-4PA10-0CC0	5600	850	925	1545	1400	500	130	200	450	1940	2750	o.r.
1RN7 503-4PA10-0AA0	6150	950	1005	1705	1320	315	160	240	500	2640	2140	o.r.
1RN7 503-4PA10-0AC0	6250	950	1005	1705	1320	560	170	240	500	2640	2380	o.r.
1RN7 503-4PA10-0CA0	6300	950	1005	1705	1320	315	160	240	500	2640	2140	o.r.
1RN7 503-4PA10-0CC0	6400	950	1005	1705	1320	560	170	240	500	2640	2380	o.r.
1RN7 504-4PA10-0AA0	6450	950	1005	1705	1320	315	160	240	500	2640	2140	o.r.
1RN7 504-4PA10-0AC0	6500	950	1005	1705	1320	560	170	240	500	2640	2380	o.r.
1RN7 504-4PA10-0CA0	6600	950	1005	1705	1320	315	160	240	500	2640	2140	o.r.
1RN7 504-4PA10-0CC0	6700	950	1005	1705	1320	560	170	240	500	2640	2380	o.r.
1RN7 507-4PA10-0AA0	7100	950	1005	1705	1500	315	160	240	500	2640	2350	o.r.
1RN7 507-4PA10-0AC0	7150	950	1005	1705	1500	560	170	240	500	2640	2590	o.r.
1RN7 507-4PA10-0CA0	7250	950	1005	1705	1500	315	160	240	500	2640	2350	o.r.
1RN7 507-4PA10-0CC0	7350	950	1005	1705	1500	560	170	240	500	2640	2590	o.r.



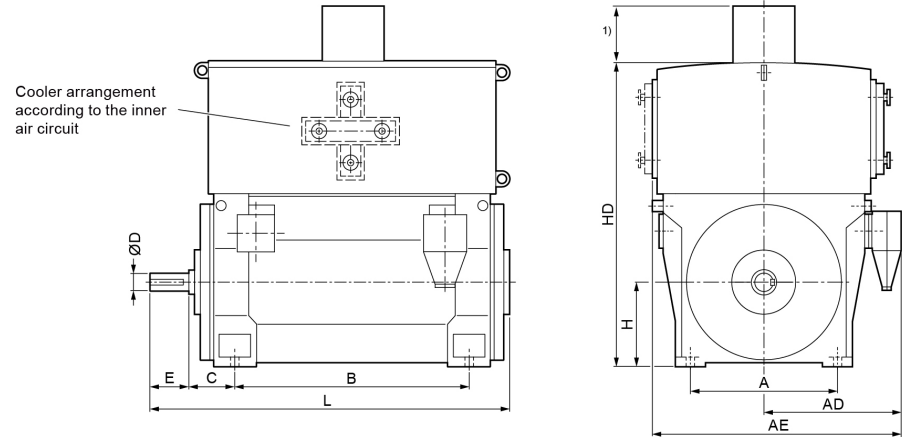
Motor type	Weight	Dimensions										
		A	AD	AE	B	C	D	E	H	HD	L	ML
	kg	mm	mm	mm	mm	mm	mm	mm	mm	mm	mm	mm
Innomotics HV M - 1RN. IC86W 6600 V / 60 Hz B3 (IM 1001) - Dimension drawings												
1RN7 508-4PA10-0AA0	7350	950	1005	1705	1500	315	160	240	500	2640	2350	o.r.
1RN7 508-4PA10-0AC0	7450	950	1005	1705	1500	560	170	240	500	2640	2590	o.r.
1RN7 508-4PA10-0CA0	7550	950	1005	1705	1500	315	160	240	500	2640	2350	o.r.
1RN7 508-4PA10-0CC0	7650	950	1005	1705	1500	560	170	240	500	2640	2590	o.r.
1RN7 563-4PA10-0CA0	8450	1060	1290	2060	1400	335	190	280	560	2830	2340	o.r.
1RN7 563-4PA10-0CC0	8500	1060	1290	2060	1400	600	190	280	560	2830	2610	o.r.
1RN7 564-4PA10-0CA0	8850	1060	1290	2060	1400	335	190	280	560	2830	2340	o.r.
1RN7 564-4PA10-0CC0	8900	1060	1290	2060	1400	600	190	280	560	2830	2610	o.r.
1RN7 566-4PA10-0CA0	9700	1060	1290	2060	1600	335	190	280	560	2830	2570	o.r.
1RN7 566-4PA10-0CC0	9750	1060	1290	2060	1600	600	190	280	560	2830	2840	o.r.
1RN7 567-4PA10-0CA0	10150	1060	1290	2060	1600	335	190	280	560	2830	2570	o.r.
1RN7 567-4PA10-0CC0	10250	1060	1290	2060	1600	600	190	280	560	2830	2840	o.r.
1RN7 568-4PA10-0CA0	10650	1060	1290	2060	1600	335	190	280	560	2830	2570	o.r.
1RN7 568-4PA10-0CC0	10700	1060	1290	2060	1600	600	190	280	560	2830	2840	o.r.
1RN8 633-4PA10-0CG0	10750	1320	1520	2520	1600	375	200	280	630	3150	2620	o.r.
1RN8 633-4PA10-0CJ0	10850	1320	1520	2520	1600	630	200	280	630	3150	2870	o.r.
1RN8 634-4PA10-0CG0	11350	1320	1520	2520	1600	375	200	280	630	3150	2620	o.r.
1RN8 634-4PA10-0CJ0	11450	1320	1520	2520	1600	630	200	280	630	3150	2870	o.r.
1RN8 637-4PA10-0CC0	12300	1320	1520	2520	1800	375	200	280	630	3150	2820	o.r.
1RN8 637-4PA10-0CJ0	12400	1320	1520	2520	1800	630	200	280	630	3150	3070	o.r.
1RN8 638-4PA10-0CG0	12850	1320	1520	2520	1800	375	200	280	630	3150	2820	o.r.
1RN8 638-4PA10-0CJ0	12950	1320	1520	2520	1800	630	200	280	630	3150	3070	o.r.
1RN8 712-4PA10-0CG0	14800	1500	1620	2720	2000	375	220	280	710	3410	3010	o.r.



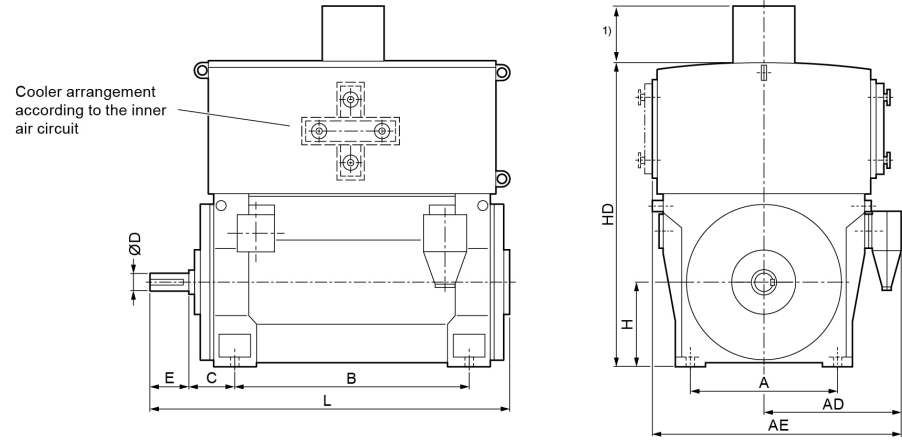
Motor type	Weight	Dimensions										
		A	AD	AE	B	C	D	E	H	HD	L	ML
	kg	mm	mm	mm	mm	mm	mm	mm	mm	mm	mm	mm
Innomotics HV M - 1RN. IC86W 6600 V / 60 Hz B3 (IM 1001) - Dimension drawings												
1RN8 712-4PA10-0CJ0	14900	1500	1620	2720	2000	630	220	280	710	3410	3260	o.r.
1RN8 713-4PA10-0CG0	15500	1500	1620	2720	2000	375	220	280	710	3410	3010	o.r.
1RN8 713-4PA10-0CJ0	15650	1500	1620	2720	2000	630	220	280	710	3410	3260	o.r.
1RN8 714-4PA10-0CG0	16300	1500	1620	2720	2000	375	220	280	710	3410	3010	o.r.
1RN8 714-4PA10-0CJ0	16400	1500	1620	2720	2000	630	220	280	710	3410	3260	o.r.
1RN8 717-4PA10-0CG0	17450	1500	1620	2720	2240	375	220	280	710	3410	3250	o.r.
1RN8 717-4PA10-0CJ0	17600	1500	1620	2720	2240	630	220	280	710	3410	3500	o.r.
1RN8 718-4PA10-0CG0	17950	1500	1620	2720	2240	375	220	280	710	3410	3250	o.r.
1RN8 718-4PA10-0CJ0	18100	1500	1620	2720	2240	630	220	280	710	3410	3500	o.r.
6-pole												
1RN7 452-6PA10-0AA0	4250	850	925	1545	1180	250	130	200	450	1940	2290	o.r.
1RN7 452-6PA10-0AC0	4300	850	925	1545	1180	500	130	200	450	1940	2540	o.r.
1RN7 453-6PA10-0AA0	4400	850	925	1545	1180	250	130	200	450	1940	2290	o.r.
1RN7 453-6PA10-0AC0	4450	850	925	1545	1180	500	130	200	450	1940	2540	o.r.
1RN7 453-6PA10-0CA0	4600	850	925	1545	1180	250	130	200	450	1940	2290	o.r.
1RN7 453-6PA10-0CC0	4600	850	925	1545	1180	500	130	200	450	1940	2540	o.r.
1RN7 454-6PA10-0AA0	4600	850	925	1545	1180	250	130	200	450	1940	2290	o.r.
1RN7 454-6PA10-0AC0	4600	850	925	1545	1180	500	130	200	450	1940	2540	o.r.
1RN7 454-6PA10-0CA0	4750	850	925	1545	1180	250	130	200	450	1940	2290	o.r.
1RN7 454-6PA10-0CC0	4800	850	925	1545	1180	500	130	200	450	1940	2540	o.r.
1RN7 457-6PA10-0AA0	5050	850	925	1545	1400	250	130	200	450	1940	2500	o.r.
1RN7 457-6PA10-0AC0	5100	850	925	1545	1400	500	130	200	450	1940	2750	o.r.
1RN7 457-6PA10-0CA0	5250	850	925	1545	1400	250	130	200	450	1940	2500	o.r.



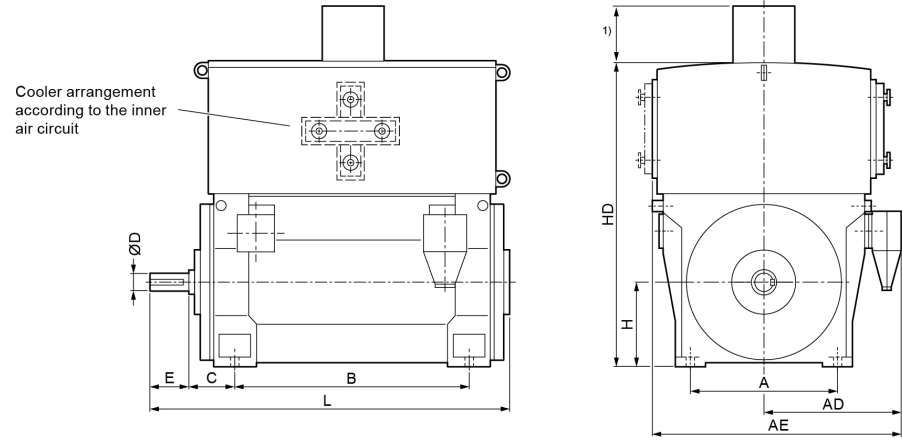
Motor type	Weight	Dimensions										
		A	AD	AE	B	C	D	E	H	HD	L	ML
	kg	mm	mm	mm	mm	mm	mm	mm	mm	mm	mm	mm
Innomotics HV M - 1RN. IC86W 6600 V / 60 Hz B3 (IM 1001) - Dimension drawings												
1RN7 457-6PA10-0CC0	5250	850	925	1545	1400	500	130	200	450	1940	2750	o.r.
1RN7 458-6PA10-0AA0	5350	850	925	1545	1400	250	130	200	450	1940	2500	o.r.
1RN7 458-6PA10-0AC0	5350	850	925	1545	1400	500	130	200	450	1940	2750	o.r.
1RN7 458-6PA10-0CA0	5550	850	925	1545	1400	250	130	200	450	1940	2500	o.r.
1RN7 458-6PA10-0CC0	5550	850	925	1545	1400	500	130	200	450	1940	2750	o.r.
1RN7 503-6PA10-0AA0	6200	950	1005	1705	1320	315	160	240	500	2230	2520	o.r.
1RN7 503-6PA10-0AC0	6250	950	1005	1705	1320	560	170	240	500	2230	2760	o.r.
1RN7 503-6PA10-0CA0	6450	950	1005	1705	1320	315	160	240	500	2230	2520	o.r.
1RN7 503-6PA10-0CC0	6500	950	1005	1705	1320	560	170	240	500	2230	2760	o.r.
1RN7 504-6PA10-0AA0	6500	950	1005	1705	1320	315	160	240	500	2230	2520	o.r.
1RN7 504-6PA10-0AC0	6550	950	1005	1705	1320	560	170	240	500	2230	2760	o.r.
1RN7 504-6PA10-0CA0	6700	950	1005	1705	1320	315	160	240	500	2230	2520	o.r.
1RN7 504-6PA10-0CC0	6800	950	1005	1705	1320	560	170	240	500	2230	2760	o.r.
1RN7 507-6PA10-0AA0	7150	950	1005	1705	1500	315	160	240	500	2230	2730	o.r.
1RN7 507-6PA10-0AC0	7200	950	1005	1705	1500	560	170	240	500	2230	2970	o.r.
1RN7 507-6PA10-0CA0	7400	950	1005	1705	1500	315	160	240	500	2230	2730	o.r.
1RN7 507-6PA10-0CC0	7450	950	1005	1705	1500	560	170	240	500	2230	2970	o.r.
1RN7 508-6PA10-0CA0	7750	950	1005	1705	1500	315	160	240	500	2230	2730	o.r.
1RN7 508-6PA10-0CC0	7800	950	1005	1705	1500	560	170	240	500	2230	2970	o.r.
1RN7 508-6PA10-0AA0	7500	950	1005	1705	1500	315	160	240	500	2230	2730	o.r.
1RN7 508-6PA10-0AC0	7550	950	1005	1705	1500	560	170	240	500	2230	2970	o.r.
1RN7 562-6PA10-0CA0	8800	1060	1290	2060	1400	335	190	280	560	2680	2770	o.r.
1RN7 562-6PA10-0CC0	8850	1060	1290	2060	1400	600	190	280	560	2680	3030	o.r.



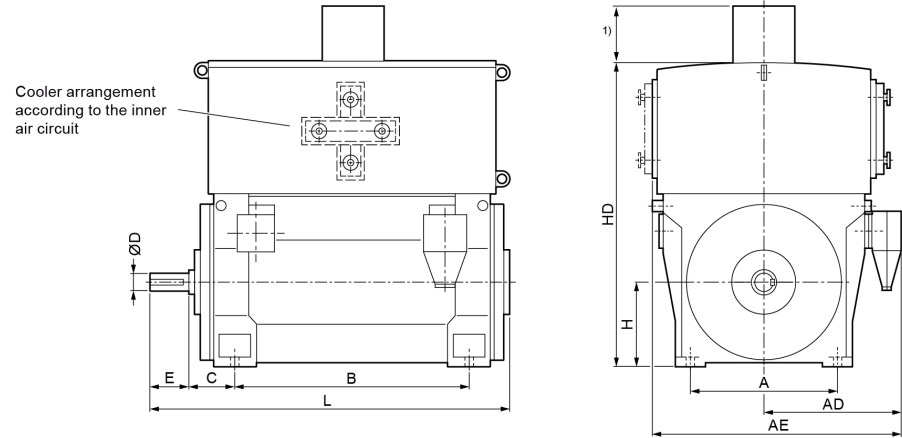
Motor type	Weight	Dimensions										
		A	AD	AE	B	C	D	E	H	HD	L	ML
	kg	mm	mm	mm	mm	mm	mm	mm	mm	mm	mm	mm
Innomotics HV M - 1RN. IC86W 6600 V / 60 Hz B3 (IM 1001) - Dimension drawings												
1RN7 562-6PA10-0HA0	8750	1060	1290	2060	1400	335	190	280	560	2680	2770	o.r.
1RN7 562-6PA10-0HC0	8850	1060	1290	2060	1400	600	190	280	560	2680	3030	o.r.
1RN7 567-6PA10-0CA0	10250	1060	1290	2060	1600	335	190	280	560	2680	3000	o.r.
1RN7 567-6PA10-0CC0	10350	1060	1290	2060	1600	600	190	280	560	2680	3260	o.r.
1RN7 568-6PA10-0CA0	10900	1060	1290	2060	1600	335	190	280	560	2680	3000	o.r.
1RN7 568-6PA10-0CC0	10950	1060	1290	2060	1600	600	190	280	560	2680	3260	o.r.
1RN8 632-6PA10-0CG0	10750	1320	1520	2520	1600	375	200	280	630	3150	2620	o.r.
1RN8 632-6PA10-0CJ0	10850	1320	1520	2520	1600	630	200	280	630	3150	2870	o.r.
1RN8 633-6PA10-0CG0	11250	1320	1520	2520	1600	375	200	280	630	3150	2620	o.r.
1RN8 633-6PA10-0CJ0	11350	1320	1520	2520	1600	630	200	280	630	3150	2870	o.r.
1RN8 634-6PA10-0CG0	11750	1320	1520	2520	1600	375	200	280	630	3150	2620	o.r.
1RN8 634-6PA10-0CJ0	11850	1320	1520	2520	1600	630	200	280	630	3150	2870	o.r.
1RN8 637-6PA10-0CG0	12550	1320	1520	2520	1800	375	200	280	630	3150	2820	o.r.
1RN8 637-6PA10-0CJ0	12700	1320	1520	2520	1800	630	200	280	630	3150	3070	o.r.
1RN8 638-6PA10-0CG0	13050	1320	1520	2520	1800	375	200	280	630	3150	2820	o.r.
1RN8 638-6PA10-0CJ0	13150	1320	1520	2520	1800	630	200	280	630	3150	3070	o.r.
1RN8 712-6PA10-0CG0	14700	1500	1620	2720	2000	375	220	280	710	3410	3010	o.r.
1RN8 712-6PA10-0CJ0	14850	1500	1620	2720	2000	630	220	280	710	3410	3260	o.r.
1RN8 713-6PA10-0CG0	15650	1500	1620	2720	2000	375	220	280	710	3410	3010	o.r.
1RN8 713-6PA10-0CJ0	15750	1500	1620	2720	2000	630	220	280	710	3410	3260	o.r.
1RN8 714-6PA10-0CG0	16600	1500	1620	2720	2000	375	220	280	710	3410	3010	o.r.
1RN8 714-6PA10-0CJ0	16750	1500	1620	2720	2000	630	220	280	710	3410	3260	o.r.
1RN8 717-6PA10-0CG0	18100	1500	1620	2720	2240	375	220	280	710	3410	3250	o.r.



Motor type	Weight	Dimensions										
		A	AD	AE	B	C	D	E	H	HD	L	ML
	kg	mm	mm	mm	mm	mm	mm	mm	mm	mm	mm	mm
Innomotics HV M - 1RN. IC86W 6600 V / 60 Hz B3 (IM 1001) - Dimension drawings												
1RN8 717-6PA10-0CJ0	18200	1500	1620	2720	2240	630	220	280	710	3410	3500	o.r.
1RN8 718-6PA10-0CG0	19000	1500	1620	2720	2240	375	220	280	710	3410	3250	o.r.
1RN8 718-6PA10-0CJ0	19150	1500	1620	2720	2240	630	220	280	710	3410	3500	o.r.
8-pole												
1RN7 452-8PA10-0AA0	4400	850	925	1545	1180	250	130	200	450	1940	2290	o.r.
1RN7 452-8PA10-0AC0	4450	850	925	1545	1180	500	130	200	450	1940	2540	o.r.
1RN7 452-8PA10-0CA0	4550	850	925	1545	1180	250	130	200	450	1940	2290	o.r.
1RN7 452-8PA10-0CC0	4600	850	925	1545	1180	500	130	200	450	1940	2540	o.r.
1RN7 453-8PA10-0AA0	4600	850	925	1545	1180	250	130	200	450	1940	2290	o.r.
1RN7 453-8PA10-0AC0	4650	850	925	1545	1180	500	130	200	450	1940	2540	o.r.
1RN7 453-8PA10-0CA0	4750	850	925	1545	1180	250	130	200	450	1940	2290	o.r.
1RN7 453-8PA10-0CC0	4800	850	925	1545	1180	500	130	200	450	1940	2540	o.r.
1RN7 454-8PA10-0AA0	4800	850	925	1545	1180	250	130	200	450	1940	2290	o.r.
1RN7 454-8PA10-0AC0	4850	850	925	1545	1180	500	130	200	450	1940	2540	o.r.
1RN7 454-8PA10-0CA0	4950	850	925	1545	1180	250	130	200	450	1940	2290	o.r.
1RN7 454-8PA10-0CC0	5000	850	925	1545	1180	500	130	200	450	1940	2540	o.r.
1RN7 457-8PA10-0AA0	5350	850	925	1545	1400	250	130	200	450	1940	2500	o.r.
1RN7 457-8PA10-0AC0	5350	850	925	1545	1400	500	130	200	450	1940	2750	o.r.
1RN7 457-8PA10-0CA0	5500	850	925	1545	1400	250	130	200	450	1940	2500	o.r.
1RN7 457-8PA10-0CC0	5550	850	925	1545	1400	500	130	200	450	1940	2750	o.r.
1RN7 458-8PA10-0AA0	5600	850	925	1545	1400	250	130	200	450	1940	2500	o.r.
1RN7 458-8PA10-0AC0	5650	850	925	1545	1400	500	130	200	450	1940	2750	o.r.
1RN7 458-8PA10-0CA0	5800	850	925	1545	1400	250	130	200	450	1940	2500	o.r.



Motor type	Weight	Dimensions										
		A	AD	AE	B	C	D	E	H	HD	L	ML
	kg	mm	mm	mm	mm	mm	mm	mm	mm	mm	mm	mm
Innomotics HV M - 1RN. IC86W 6600 V / 60 Hz B3 (IM 1001) - Dimension drawings												
1RN7 458-8PA10-0CC0	5800	850	925	1545	1400	500	130	200	450	1940	2750	o.r.
1RN7 502-8PA10-0CA0	6100	950	1005	1705	1320	315	160	240	500	2230	2520	o.r.
1RN7 502-8PA10-0CC0	6150	950	1005	1705	1320	560	170	240	500	2230	2760	o.r.
1RN7 503-8PA10-0AA0	6200	950	1005	1705	1320	315	160	240	500	2230	2520	o.r.
1RN7 503-8PA10-0AC0	6300	950	1005	1705	1320	560	170	240	500	2230	2760	o.r.
1RN7 503-8PA10-0CA0	6450	950	1005	1705	1320	315	160	240	500	2230	2520	o.r.
1RN7 503-8PA10-0CC0	6500	950	1005	1705	1320	560	170	240	500	2230	2760	o.r.
1RN7 504-8PA10-0AA0	6500	950	1005	1705	1320	315	160	240	500	2230	2520	o.r.
1RN7 504-8PA10-0AC0	6550	950	1005	1705	1320	560	170	240	500	2230	2760	o.r.
1RN7 504-8PA10-0CA0	6750	950	1005	1705	1320	315	160	240	500	2230	2520	o.r.
1RN7 504-8PA10-0CC0	6800	950	1005	1705	1320	560	170	240	500	2230	2760	o.r.
1RN7 507-8PA10-0AA0	7150	950	1005	1705	1500	315	160	240	500	2230	2730	o.r.
1RN7 507-8PA10-0AC0	7250	950	1005	1705	1500	560	170	240	500	2230	2970	o.r.
1RN7 507-8PA10-0CA0	7450	950	1005	1705	1500	315	160	240	500	2230	2730	o.r.
1RN7 507-8PA10-0CC0	7500	950	1005	1705	1500	560	170	240	500	2230	2970	o.r.
1RN7 508-8PA10-0AA0	7500	950	1005	1705	1500	315	160	240	500	2230	2730	o.r.
1RN7 508-8PA10-0AC0	7550	950	1005	1705	1500	560	170	240	500	2230	2970	o.r.
1RN7 508-8PA10-0CA0	7750	950	1005	1705	1500	315	160	240	500	2230	2730	o.r.
1RN7 508-8PA10-0CC0	7800	950	1005	1705	1500	560	170	240	500	2230	2970	o.r.
1RN7 563-8PA10-0CA0	8800	1060	1075	1845	1400	335	190	280	560	2680	2770	o.r.
1RN7 563-8PA10-0CC0	8900	1060	1075	1845	1400	600	190	280	560	2680	3030	o.r.
1RN7 564-8PA10-0CA0	9250	1060	1075	1845	1400	335	190	280	560	2680	2770	o.r.
1RN7 564-8PA10-0CC0	9350	1060	1075	1845	1400	600	190	280	560	2680	3030	o.r.



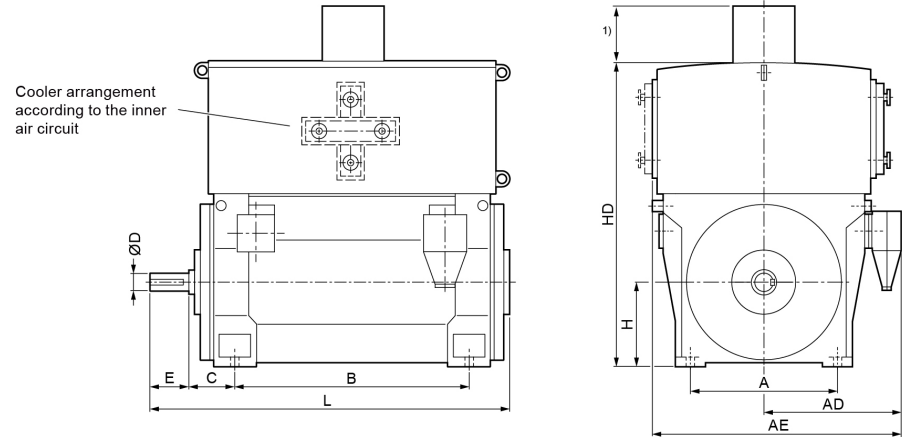
Motor type	Weight	Dimensions										
		A	AD	AE	B	C	D	E	H	HD	L	ML
	kg	mm	mm	mm	mm	mm	mm	mm	mm	mm	mm	mm
Innomotics HV M - 1RN. IC86W 6600 V / 60 Hz B3 (IM 1001) - Dimension drawings												
1RN7 567-8PA10-0CA0	10150	1060	1075	1845	1600	335	190	280	560	2680	3000	o.r.
1RN7 567-8PA10-0CC0	10200	1060	1075	1845	1600	600	190	280	560	2680	3260	o.r.
1RN7 568-8PA10-0CA0	10650	1060	1075	1845	1600	335	190	280	560	2680	3000	o.r.
1RN7 568-8PA10-0CC0	10700	1060	1075	1845	1600	600	190	280	560	2680	3260	o.r.
1RN8 633-8PA10-0CG0	10000	1320	1520	2520	1600	375	200	280	630	3150	2620	o.r.
1RN8 633-8PA10-0CJ0	10100	1320	1520	2520	1600	630	200	280	630	3150	2870	o.r.
1RN8 634-8PA10-0CG0	10800	1320	1520	2520	1600	375	200	280	630	3150	2620	o.r.
1RN8 634-8PA10-0CJ0	10900	1320	1520	2520	1600	630	200	280	630	3150	2870	o.r.
1RN8 637-8PA10-0CG0	11950	1320	1520	2520	1800	375	200	280	630	3150	2820	o.r.
1RN8 637-8PA10-0CJ0	12050	1320	1520	2520	1800	630	200	280	630	3150	3070	o.r.
1RN8 638-8PA10-0CG0	12650	1320	1520	2520	1800	375	200	280	630	3150	2820	o.r.
1RN8 638-8PA10-0CJ0	12750	1320	1520	2520	1800	630	200	280	630	3150	3070	o.r.
1RN8 712-8PA10-0CG0	14000	1500	1620	2720	2000	375	220	280	710	3330	3010	o.r.
1RN8 712-8PA10-0CJ0	14200	1500	1620	2720	2000	630	220	280	710	3330	3260	o.r.
1RN8 713-8PA10-0CG0	14850	1500	1620	2720	2000	375	220	280	710	3330	3010	o.r.
1RN8 713-8PA10-0CJ0	15000	1500	1620	2720	2000	630	220	280	710	3330	3260	o.r.
1RN8 714-8PA10-0CG0	16050	1500	1620	2720	2000	375	220	280	710	3330	3010	o.r.
1RN8 714-8PA10-0CJ0	16200	1500	1620	2720	2000	630	220	280	710	3330	3260	o.r.
1RN8 717-8PA10-0CG0	17700	1500	1620	2720	2240	375	220	280	710	3330	3250	o.r.
1RN8 717-8PA10-0CJ0	17900	1500	1620	2720	2240	630	220	280	710	3330	3500	o.r.
1RN8 718-8PA10-0CG0	18750	1500	1620	2720	2240	375	220	280	710	3330	3250	o.r.
1RN8 718-8PA10-0CJ0	18950	1500	1620	2720	2240	630	220	280	710	3330	3500	o.r.

Innomotics HV M - 1RN. IC86W 10000 V / 50 Hz B3 (IM 1001)																			
Rated power IEC	Article No.	Speed	Rated current		Efficiency				Power factor				Torque	Breakdown torque	Locked rotor torque	Locked rotor current	Inertia		
			I_R		5/4 load	4/4 load	3/4 load	2/4 load	5/4 load	4/4 load	3/4 load	2/4 load					T_R	T_B/ T_R	T_{LR}/ T_R
kW		rpm	A		%	%	%	%	$\cos \varphi$	$\cos \varphi$	$\cos \varphi$	$\cos \varphi$	Nm	[-]	[-]	[-]	kgm ²	kgm ²	[-]
2-pole: n_{sync} = 3000 rpm at 50 Hz																			
1500	1RN7 453-2PA80-0A.2	2976	102		95.1	96.0	96.3	96.2	0.87	0.89	0.89	0.85	4814	2.20	0.50	5.0	10	60	o.r.
1530	1RN7 453-2PA80-0C.0	2976	102		95.1	95.9	96.4	96.3	0.87	0.90	0.89	0.87	4910	2.10	0.55	4.7	14	80	o.r.
1680	1RN7 454-2PA80-0A.2	2977	114		95.5	96.1	96.4	96.1	0.88	0.89	0.88	0.83	5391	2.25	0.50	5.2	11	60	o.r.
1720	1RN7 454-2PA80-0C.2	2977	114		95.5	96.1	96.4	96.2	0.88	0.90	0.89	0.86	5519	2.15	0.55	5.0	15	100	o.r.
1870	1RN7 457-2PA80-0A.2	2977	126		95.5	96.2	96.6	96.4	0.87	0.89	0.89	0.85	6000	2.25	0.55	5.3	12	70	o.r.
1910	1RN7 457-2PA80-0C.2	2977	128		95.5	96.2	96.6	96.4	0.88	0.90	0.90	0.87	6133	2.15	0.55	5.0	16	120	o.r.
2050	1RN7 458-2PA80-0A.2	2978	136		95.8	96.4	96.7	96.5	0.88	0.90	0.90	0.86	6580	2.35	0.55	5.4	13	75	o.r.
2100	1RN7 458-2PA80-0C.2	2978	140		95.8	96.4	96.8	96.6	0.89	0.90	0.90	0.88	6739	2.30	0.55	5.0	18	135	o.r.
2240	1RN7 503-2PA80-0A.0	2965	150		95.5	96.3	96.8	97.0	0.87	0.89	0.89	0.87	7221	2.10	0.50	4.1	15	58	o.r.
2240	1RN7 503-2PA80-0C.0	2973	150		95.8	96.4	97.0	97.1	0.87	0.89	0.90	0.88	7198	2.05	0.55	4.0	20	154	o.r.
2450	1RN7 504-2PA80-0A.0	2968	166		95.7	96.3	96.8	96.9	0.88	0.89	0.89	0.86	7886	2.30	0.55	4.5	15	62	o.r.
2550	1RN7 504-2PA80-0C.2	2973	172		95.8	96.5	96.9	96.9	0.88	0.89	0.90	0.87	8198	2.15	0.60	4.2	21	138	o.r.
2670	1RN7 507-2PA80-0A.2	2973	178		96.0	96.6	96.9	96.9	0.89	0.90	0.90	0.86	8580	2.50	0.50	5.0	18	82	o.r.
2800	1RN7 507-2PA80-0C.2	2977	186		96.2	96.7	97.0	97.0	0.89	0.90	0.90	0.87	8989	2.35	0.55	4.7	24	158	o.r.
3000	1RN7 508-2PA80-0A.2	2974	198		96.3	96.8	97.1	97.1	0.90	0.90	0.90	0.86	9635	2.60	0.55	5.3	20	94	o.r.
3150	1RN7 508-2PA80-0C.2	2978	205		96.4	96.9	97.2	97.2	0.90	0.91	0.91	0.87	10106	2.40	0.55	4.9	27	168	o.r.
3800	1RN7 562-2PA80-0CC2	2981	250		96.4	96.6	96.8	96.5	0.90	0.90	0.90	0.86	12181	2.30	0.60	5.2	41	210	o.r.
4150	1RN7 563-2PA80-0CC2	2980	275		96.4	96.7	97.0	96.8	0.88	0.90	0.90	0.87	13304	2.05	0.50	4.6	44	245	o.r.
4750	1RN7 564-2PA80-0CC2	2982	310		96.6	96.8	97.0	96.7	0.90	0.91	0.90	0.87	15222	2.30	0.60	5.3	47	250	o.r.
5150	1RN7 567-2PA80-0CC2	2982	335		96.8	97.0	97.2	97.0	0.90	0.91	0.91	0.88	16506	2.30	0.60	5.2	52	285	o.r.
5700	1RN7 568-2PA80-0CC2	2984	370		97.0	97.2	97.3	97.0	0.92	0.92	0.91	0.88	18252	2.50	0.60	5.8	58	315	o.r.
6000	1RN8 632-2PA80-0CJ0	2980	405		96.4	96.9	96.9	96.4	0.85	0.88	0.88	0.87	19227	1.90	0.50	4.5	75	250	o.r.
6750	1RN8 633-2PA80-0CJ0	2980	455		96.5	97.1	97.1	96.7	0.85	0.88	0.89	0.88	21630	1.90	0.50	4.5	82	240	o.r.
7550	1RN8 634-2PA80-0CJ0	2980	510		96.6	97.1	97.2	96.8	0.85	0.88	0.89	0.89	24194	1.90	0.50	4.5	90	230	o.r.
8050	1RN8 637-2PA80-0CJ0	2983	530		96.9	97.3	97.2	96.9	0.89	0.90	0.91	0.90	25770	2.25	0.55	5.3	99	260	o.r.
8850	1RN8 638-2PA80-0CJ0	2983	580		97.0	97.4	97.4	97.1	0.89	0.91	0.91	0.91	28331	2.25	0.55	5.3	108	260	o.r.
9050	1RN8 712-2PA80-0CJ0	2983	610		96.5	96.9	96.9	96.5	0.83	0.88	0.89	0.89	28971	1.75	0.40	4.0	149	210	o.r.
10250	1RN8 713-2PA80-0CJ0	2984	680		96.8	97.2	97.1	96.7	0.86	0.90	0.90	0.89	32802	1.90	0.50	4.4	160	190	o.r.
11500	1RN8 714-2PA80-0CJ0	2984	760		97.0	97.3	97.3	96.8	0.86	0.90	0.90	0.89	36802	1.90	0.50	4.4	173	170	o.r.
12000	1RN8 716-2PA80-0CJ0	2986	780		97.1	97.3	97.3	96.8	0.88	0.91	0.91	0.90	38376	2.10	0.45	4.8	186	200	o.r.
13600	1RN8 717-2PA80-0CJ0	2986	880		97.2	97.5	97.4	97.0	0.89	0.91	0.91	0.90	43493	2.15	0.60	5.1	202	160	o.r.
14800	1RN8 718-2PA80-0CJ0	2987	950		97.4	97.6	97.6	97.1	0.90	0.92	0.92	0.90	47315	2.35	0.65	5.6	219	160	o.r.
4-pole: n_{sync} = 1500 rpm at 50 Hz																			
1420	1RN7 453-4PA80-0A.0	1482	97		94.8	95.7	96.1	96.2	0.87	0.88	0.87	0.81	9155	2.35	0.65	5.3	17	290	o.r.
1470	1RN7 453-4PA80-0C.0	1485	100		95.0	95.9	96.3	96.5	0.87	0.88	0.87	0.83	9460	2.10	0.50	4.8	23	325	o.r.
1560	1RN7 454-4PA80-0A.0	1482	106		95.0	95.8	96.3	96.4	0.88	0.89	0.87	0.83	10058	2.40	0.65	5.4	19	320	o.r.

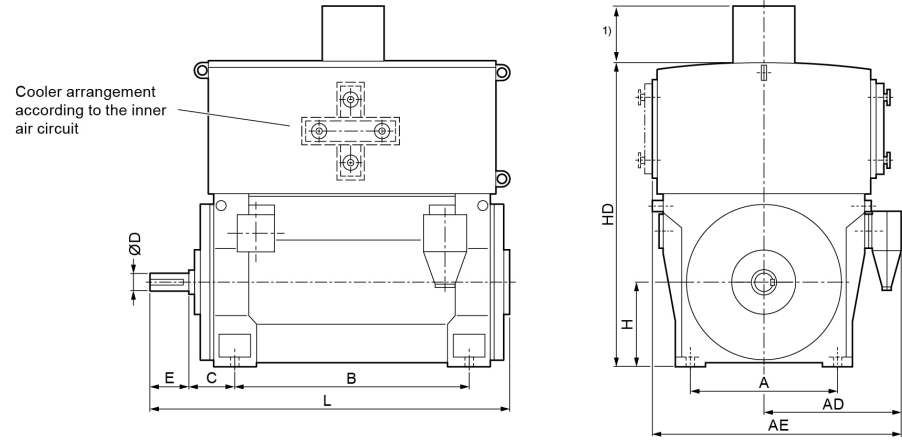
Innomotics HV M - 1RN. IC86W 10000 V / 50 Hz B3 (IM 1001)																		
Rated power IEC	Article No.	Speed	Rated current I_R	Efficiency				Power factor				Torque T_R	Breakdown torque T_B/ T_R	Locked rotor torque T_{LR}/ T_R	Locked rotor current I_{LR}/ I_R	Inertia		
				5/4 load	4/4 load	3/4 load	2/4 load	5/4 load	4/4 load	3/4 load	2/4 load					motor	external	Startup max T/TR
kW		rpm	A	%	%	%	%	cos φ	cos φ	cos φ	cos φ	Nm	[-]	[-]	[-]	kgm ²	kgm ²	[-]
1600	1RN7 454-4PA80-0C.2	1486	108	95.3	96.2	96.5	96.6	0.87	0.89	0.88	0.84	10292	2.20	0.50	5.0	26	405	o.r.
1900	1RN7 457-4PA80-0C.2	1487	128	95.7	96.4	96.7	96.7	0.88	0.89	0.88	0.83	12205	2.40	0.55	5.2	30	525	o.r.
1820	1RN7 457-4PA80-0A.0	1483	122	95.4	96.2	96.5	96.7	0.89	0.89	0.88	0.83	11724	2.45	0.70	5.8	22	390	o.r.
1970	1RN7 458-4PA80-0A.2	1485	132	95.7	96.3	96.6	96.6	0.89	0.89	0.87	0.81	12678	2.75	0.80	6.0	24	455	o.r.
2060	1RN7 458-4PA80-0C.2	1488	138	95.9	96.5	96.8	96.8	0.89	0.89	0.88	0.83	13230	2.50	0.60	5.3	33	620	o.r.
2220	1RN7 503-4PA80-0A.2	1486	150	95.8	96.5	97.0	97.1	0.88	0.89	0.88	0.85	14275	2.25	0.80	5.0	37	625	o.r.
2240	1RN7 503-4PA80-0C.0	1487	148	95.8	96.5	97.0	97.0	0.88	0.90	0.89	0.86	14402	2.20	0.60	4.6	45	645	o.r.
2500	1RN7 504-4PA80-0C.2	1488	168	96.0	96.6	97.1	97.0	0.88	0.89	0.88	0.85	16064	2.20	0.55	4.6	50	630	o.r.
2450	1RN7 504-4PA80-0A.2	1486	164	95.8	96.6	97.1	97.2	0.87	0.89	0.89	0.86	15757	2.25	0.75	5.0	40	675	o.r.
2870	1RN7 507-4PA80-0C.2	1489	192	96.3	96.8	97.1	97.0	0.88	0.89	0.87	0.82	18423	2.35	0.55	4.8	56	875	o.r.
2610	1RN7 507-4PA80-0A.2	1486	174	95.9	96.6	97.1	97.2	0.89	0.90	0.90	0.87	16784	2.30	0.85	5.2	46	755	o.r.
3150	1RN7 508-4PA80-0C.2	1490	210	96.5	97.0	97.3	97.1	0.89	0.90	0.88	0.84	20209	2.60	0.70	5.4	62	905	o.r.
2950	1RN7 508-4PA80-0A.2	1486	196	96.1	96.8	97.2	97.3	0.88	0.90	0.90	0.87	18968	2.35	0.85	5.3	50	815	o.r.
3550	1RN7 563-4PA80-0C.2	1489	238	96.3	96.9	97.3	97.3	0.87	0.89	0.88	0.85	22783	2.05	0.65	5.0	80	725	o.r.
4150	1RN7 564-4PA80-0C.2	1490	278	96.6	97.0	97.4	97.3	0.87	0.89	0.87	0.84	26609	2.20	0.60	5.3	90	835	o.r.
4700	1RN7 566-4PA80-0C.2	1490	314	96.8	97.2	97.5	97.4	0.88	0.89	0.88	0.84	30131	2.25	0.60	5.4	100	885	o.r.
5100	1RN7 567-4PA80-0C.2	1491	340	96.8	97.2	97.6	97.5	0.89	0.89	0.89	0.86	32693	2.30	0.70	5.5	110	935	o.r.
5600	1RN7 568-4PA80-0C.2	1490	369	96.9	97.3	97.7	97.7	0.89	0.90	0.90	0.87	35911	2.20	0.65	5.3	119	940	o.r.
6000	1RN8 633-4PA80-0C.0	1490	400	96.7	97.2	97.4	97.3	0.87	0.89	0.88	0.84	38454	2.10	0.50	5.0	151	710	o.r.
6800	1RN8 634-4PA80-0C.0	1490	455	96.8	97.3	97.6	97.5	0.87	0.89	0.89	0.86	43581	2.10	0.50	5.0	166	740	o.r.
7700	1RN8 637-4PA80-0C.0	1490	510	97.0	97.4	97.6	97.5	0.87	0.89	0.88	0.85	49349	2.15	0.50	5.2	182	770	o.r.
8550	1RN8 638-4PA80-0C.0	1490	570	97.1	97.5	97.7	97.6	0.88	0.89	0.89	0.85	54796	2.25	0.55	5.5	198	810	o.r.
8900	1RN8 712-4PA80-0C.0	1491	590	97.0	97.5	97.7	97.5	0.87	0.89	0.89	0.86	57001	2.20	0.45	5.2	259	800	o.r.
9850	1RN8 713-4PA80-0C.0	1491	660	97.1	97.5	97.7	97.6	0.87	0.89	0.89	0.86	63086	2.20	0.45	5.2	284	840	o.r.
10500	1RN8 714-4PA80-0C.0	1492	690	97.2	97.6	97.8	97.7	0.89	0.90	0.90	0.87	67203	2.45	0.55	2.9	312	970	o.r.
11600	1RN8 717-4PA80-0C.0	1492	750	97.3	97.7	97.9	97.7	0.90	0.91	0.90	0.87	74244	2.55	0.60	6.0	346	1070	o.r.
12500	1RN8 718-4PA80-0C.2	1492	810	97.4	97.7	97.9	97.7	0.90	0.91	0.90	0.86	80004	2.60	0.60	6.0	365	1080	o.r.
6-pole: n_{sync} = 1000 rpm at 50 Hz																		
1000	1RN7 452-6PA80-0A.0	990	72	94.3	95.2	95.6	95.6	0.83	0.84	0.80	0.70	9655	2.35	0.70	5.2	20	495	o.r.
1020	1RN7 452-6PA80-0C.0	989	73	94.2	95.1	95.6	95.8	0.84	0.85	0.82	0.74	9850	2.30	0.60	4.9	27	645	o.r.
1120	1RN7 453-6PA80-0A.0	990	81	94.4	95.3	95.7	95.8	0.84	0.84	0.80	0.71	10816	2.30	0.70	5.1	22	535	o.r.
1150	1RN7 453-6PA80-0C.0	989	82	94.3	95.2	95.8	95.9	0.84	0.85	0.83	0.75	11108	2.25	0.60	4.8	30	680	o.r.
1250	1RN7 454-6PA80-0A.0	990	89	94.6	95.4	95.9	96.0	0.84	0.85	0.81	0.72	12073	2.35	0.70	5.2	24	595	o.r.
1270	1RN7 454-6PA80-0C.0	989	90	94.5	95.4	95.9	96.1	0.84	0.85	0.83	0.76	12264	2.30	0.60	4.9	33	770	o.r.
1360	1RN7 457-6PA80-0A.0	990	97	94.8	95.6	96.0	96.1	0.85	0.85	0.82	0.73	13128	2.40	0.80	5.3	28	655	o.r.
1400	1RN7 457-6PA80-0C.0	990	98	94.7	95.6	96.1	96.2	0.85	0.86	0.84	0.76	13520	2.30	0.65	5.0	36	840	o.r.
1480	1RN7 458-6PA80-0A.0	991	104	95.1	95.8	96.2	96.2	0.85	0.86	0.82	0.73	14277	2.50	0.80	5.5	31	785	o.r.

Innomotics HV M - 1RN. IC86W 10000 V / 50 Hz B3 (IM 1001)																			
Rated power IEC	Article No.	Speed	Rated current		Efficiency				Power factor				Torque	Breakdown torque	Locked rotor torque	Locked rotor current	Inertia		
			I_R		5/4 load	4/4 load	3/4 load	2/4 load	5/4 load	4/4 load	3/4 load	2/4 load					T_R	T_B/ T_R	T_{LR}/ T_R
kW		rpm	A		%	%	%	%	$\cos \varphi$	$\cos \varphi$	$\cos \varphi$	$\cos \varphi$	Nm	[-]	[-]	[-]	kgm ²	kgm ²	[-]
1520	1RN7 458-6PA80-0C.0	990	106		95.0	95.8	96.2	96.3	0.86	0.86	0.84	0.77	14669	2.45	0.65	5.1	41	950	o.r.
1670	1RN7 502-6PA80-0C.2	992	112		95.4	96.2	96.6	96.7	0.84	0.86	0.84	0.78	16101	2.15	0.65	4.4	54	1290	o.r.
1600	1RN7 502-6PA80-0A.0	991	112		95.1	96.0	96.5	96.6	0.85	0.86	0.85	0.78	15434	2.15	0.85	4.6	42	800	o.r.
1950	1RN7 503-6PA80-0C.2	992	126		95.7	96.3	96.7	96.7	0.85	0.86	0.83	0.75	18785	2.30	0.80	4.7	60	1240	o.r.
1800	1RN7 503-6PA80-0A.0	991	126		95.3	96.1	96.6	96.7	0.85	0.86	0.85	0.78	17362	2.15	0.90	4.7	46	840	o.r.
2130	1RN7 504-6PA80-0C.2	992	138		95.9	96.5	96.8	96.8	0.85	0.86	0.82	0.74	20512	2.40	0.80	4.8	66	1640	o.r.
1970	1RN7 504-6PA80-0A.2	991	138		95.5	96.2	96.7	96.7	0.86	0.86	0.84	0.76	19002	2.30	1.00	5.0	51	980	o.r.
2300	1RN7 507-6PA80-0C.2	992	156		96.0	96.6	96.9	96.8	0.86	0.86	0.83	0.75	22136	2.45	0.80	5.0	74	1580	o.r.
2220	1RN7 507-6PA80-0A.2	991	138		95.7	96.4	96.9	97.0	0.86	0.86	0.85	0.79	21411	2.25	0.90	4.9	58	1360	o.r.
2370	1RN7 508-6PA80-0A.2	991	156		96.0	96.5	96.9	97.0	0.86	0.86	0.84	0.76	22847	2.45	0.95	5.4	63	1800	o.r.
2500	1RN7 508-6PA80-0C.2	992	174		96.2	96.7	97.0	97.0	0.86	0.86	0.84	0.77	24060	2.45	0.85	5.1	81	1990	o.r.
3000	1RN7 562-6PA80-0C.2	992	210		95.9	96.5	96.7	96.7	0.85	0.86	0.84	0.80	28896	2.00	0.60	5.2	105	1935	o.r.
3250	1RN7 563-6PA80-0C.2	992	225		96.0	96.5	96.8	96.8	0.85	0.86	0.84	0.80	31301	2.00	0.60	5.2	113	1970	o.r.
3550	1RN7 564-6PA80-0C.2	992	245		96.1	96.7	96.9	96.9	0.85	0.86	0.85	0.80	34188	2.00	0.60	5.5	124	1965	o.r.
3900	1RN7 567-6PA80-0C.2	993	270		96.3	96.7	97.0	97.0	0.85	0.86	0.85	0.81	37545	2.00	0.60	5.2	137	2350	o.r.
4200	1RN7 568-6PA80-0C.2	993	290		96.5	96.9	97.1	97.1	0.86	0.86	0.85	0.81	40414	2.00	0.60	5.5	151	3125	o.r.
4700	1RN8 632-6PA80-0C.0	991	325		96.3	96.9	97.1	97.0	0.84	0.86	0.83	0.76	45289	2.15	0.55	4.9	193	2130	o.r.
5000	1RN8 633-6PA80-0C.2	991	345		96.3	96.9	97.2	97.2	0.84	0.86	0.84	0.79	48180	2.05	0.50	4.7	209	2320	o.r.
5400	1RN8 634-6PA80-0C.0	992	370		96.4	97.0	97.3	97.2	0.84	0.87	0.85	0.80	51982	2.05	0.50	4.7	227	2580	o.r.
5850	1RN8 637-6PA80-0C.0	992	400		96.5	97.1	97.4	97.3	0.85	0.87	0.85	0.80	56314	2.10	0.50	4.7	247	2860	o.r.
6400	1RN8 638-6PA80-0C.0	992	435		96.7	97.2	97.4	97.2	0.86	0.87	0.84	0.78	61608	2.25	0.60	5.1	265	3100	o.r.
6800	1RN8 712-6PA80-0C.0	993	465		96.8	97.3	97.6	97.5	0.85	0.87	0.85	0.80	65393	2.15	0.50	5.1	331	2590	o.r.
7550	1RN8 713-6PA80-0C.0	994	510		97.0	97.5	97.7	97.5	0.86	0.87	0.85	0.79	72532	2.30	0.60	5.4	374	2990	o.r.
8750	1RN8 714-6PA80-0C.0	994	600		97.1	97.5	97.7	97.6	0.85	0.87	0.85	0.79	84061	2.25	0.50	5.4	423	3310	o.r.
9500	1RN8 717-6PA80-0C.0	994	640		97.2	97.6	97.8	97.7	0.87	0.88	0.87	0.81	91266	2.30	0.60	5.5	478	3770	o.r.
10500	1RN8 718-6PA80-0C.0	994	720		97.3	97.7	97.8	97.6	0.86	0.86	0.83	0.76	100873	2.35	0.50	5.5	520	4500	o.r.
8-pole: $n_{sync} = 750$ rpm at 50 Hz																			
670	1RN7 451-8PA80-0A.0	741	51		93.5	94.6	95.0	95.0	0.80	0.80	0.73	0.61	8632	2.05	0.70	5.0	23	580	o.r.
680	1RN7 451-8PA80-0C.0	741	51		93.6	94.6	95.0	95.1	0.82	0.81	0.75	0.63	8758	2.25	0.65	5.1	30	790	o.r.
760	1RN7 452-8PA80-0A.0	741	57		93.7	94.8	95.3	95.4	0.81	0.81	0.76	0.64	9794	2.05	0.70	5.0	25	790	o.r.
770	1RN7 452-8PA80-0C.0	741	57		93.8	94.9	95.3	95.5	0.82	0.82	0.77	0.66	9918	2.25	0.65	5.1	32	1060	o.r.
860	1RN7 453-8PA80-0A.0	741	65		94.2	95.1	95.4	95.4	0.80	0.80	0.73	0.60	11076	2.25	0.75	5.0	28	1030	o.r.
890	1RN7 453-8PA80-0C.2	742	67		94.2	95.2	95.5	95.5	0.82	0.81	0.75	0.63	11461	2.40	0.65	5.0	36	1230	o.r.
950	1RN7 454-8PA80-0A.0	741	71		94.2	95.2	95.6	95.7	0.81	0.81	0.75	0.63	12242	2.20	0.75	5.0	31	1170	o.r.
980	1RN7 454-8PA80-0C.2	742	72		94.3	95.3	95.7	95.7	0.83	0.82	0.77	0.66	12623	2.45	0.70	5.1	40	1430	o.r.
1030	1RN7 457-8PA80-0A.0	741	77		94.4	95.4	95.8	95.8	0.82	0.81	0.76	0.65	13272	2.25	0.80	5.2	35	1340	o.r.
1060	1RN7 457-8PA80-0C.0	742	77		94.5	95.4	95.8	95.8	0.83	0.83	0.78	0.67	13650	2.45	0.70	5.2	45	1680	o.r.

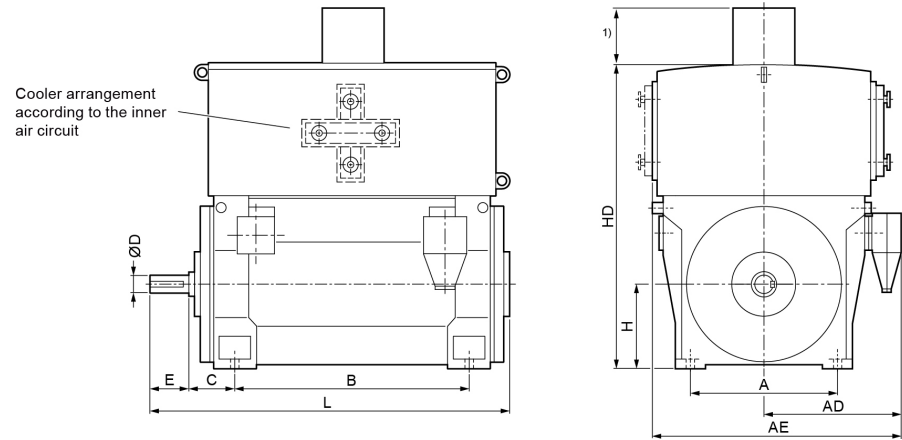
Innomotics HV M - 1RN. IC86W 10000 V / 50 Hz B3 (IM 1001)																			
Rated power IEC	Article No.	Speed	Rated current I_R	Efficiency				Power factor				Torque T_R	Breakdown torque T_B/ T_R	Locked rotor torque T_{LR}/ T_R	Locked rotor current I_{LR}/ I_R	Inertia			
				5/4 load	4/4 load	3/4 load	2/4 load	5/4 load	4/4 load	3/4 load	2/4 load					motor	external	Startup max T/TR	
kW		rpm	A	%	%	%	%	$\cos \varphi$	$\cos \varphi$	$\cos \varphi$	$\cos \varphi$	Nm	[-]	[-]	[-]	kgm ²	kgm ²	[-]	
1120	1RN7 458-8PA80-0A.2	742	84	94.6	95.6	95.8	95.8	0.82	0.81	0.76	0.64	14424	2.30	0.80	5.3	39	1440	o.r.	
1140	1RN7 458-8PA80-0C.2	742	83	94.7	95.6	95.9	95.9	0.83	0.83	0.77	0.66	14669	2.55	0.75	5.5	50	1830	o.r.	
1250	1RN7 502-8PA80-0C.2	742	91	95.1	95.9	96.3	96.5	0.81	0.83	0.80	0.73	16083	2.10	0.50	4.0	59	2570	o.r.	
1250	1RN7 502-8PA80-0A.2	742	92	94.8	95.8	96.3	96.5	0.81	0.82	0.82	0.75	16088	1.90	0.70	3.9	46	1310	o.r.	
1380	1RN7 503-8PA80-0A.2	743	102	95.2	95.9	96.4	96.5	0.82	0.82	0.80	0.73	17743	2.10	0.80	4.2	51	1920	o.r.	
1400	1RN7 503-8PA80-0C.2	742	102	95.1	95.9	96.4	96.6	0.82	0.83	0.80	0.74	18017	2.05	0.55	4.0	65	2370	o.r.	
1550	1RN7 504-8PA80-0A.2	743	112	95.3	96.1	96.5	96.6	0.82	0.83	0.80	0.73	19942	2.10	0.80	4.3	56	2870	o.r.	
1600	1RN7 504-8PA80-0C.2	742	116	95.2	96.0	96.5	96.7	0.81	0.83	0.82	0.74	20596	2.05	0.55	3.9	72	2420	o.r.	
1720	1RN7 507-8PA80-0A.2	743	126	95.6	96.2	96.6	96.6	0.82	0.82	0.80	0.72	22119	2.15	0.85	4.4	63	3460	o.r.	
1760	1RN7 507-8PA80-0C.2	743	128	95.5	96.2	96.6	96.8	0.82	0.83	0.80	0.74	22637	2.15	0.55	4.1	80	3320	o.r.	
1810	1RN7 508-8PA80-0A.2	744	134	95.8	96.3	96.5	96.4	0.82	0.81	0.77	0.67	23242	2.50	0.95	5.0	69	3350	o.r.	
1900	1RN7 508-8PA80-0C.2	743	138	95.8	96.3	96.6	96.6	0.82	0.82	0.79	0.70	24416	2.40	0.65	4.6	88	4080	o.r.	
2050	1RN7 562-8PA80-0C.2	744	148	95.4	96.1	96.4	96.2	0.82	0.83	0.80	0.73	26331	2.05	0.55	4.5	115	2835	o.r.	
2280	1RN7 563-8PA80-0C.2	744	164	95.6	96.2	96.5	96.3	0.82	0.83	0.80	0.73	29302	2.10	0.60	4.5	124	2985	o.r.	
2600	1RN7 564-8PA80-0C.2	744	188	95.8	96.4	96.7	96.5	0.82	0.83	0.80	0.74	33424	2.05	0.60	4.5	137	4255	o.r.	
2900	1RN7 567-8PA80-0C.2	744	210	96.0	96.5	96.8	96.6	0.82	0.83	0.80	0.73	37275	2.10	0.55	4.6	150	5395	o.r.	
3150	1RN7 568-8PA80-0C.2	744	225	96.1	96.6	96.9	96.6	0.83	0.83	0.81	0.74	40482	2.10	0.60	4.6	165	6300	o.r.	
3750	1RN8 634-8PA80-0C.0	743	265	95.6	96.3	96.5	96.4	0.84	0.85	0.82	0.76	48196	1.90	0.40	4.2	251	4130	o.r.	
4200	1RN8 637-8PA80-0C.0	744	290	96.0	96.5	96.6	96.3	0.85	0.86	0.81	0.73	53907	2.20	0.50	4.8	292	5610	o.r.	
4450	1RN8 638-8PA80-0C.0	744	310	96.2	96.7	96.7	96.4	0.86	0.86	0.81	0.72	57116	2.30	0.55	5.1	326	7020	o.r.	
4750	1RN8 712-8PA80-0C.0	745	310	96.3	96.7	96.8	96.5	0.86	0.86	0.81	0.72	60885	2.40	0.50	5.1	422	4890	o.r.	
5250	1RN8 713-8PA80-0C.0	745	345	96.4	96.8	96.9	96.6	0.87	0.87	0.83	0.74	67294	2.45	0.60	5.3	474	4570	o.r.	
6000	1RN8 714-8PA80-0C.0	746	390	96.6	97.0	97.0	96.6	0.86	0.86	0.81	0.72	76804	2.40	0.55	5.1	539	5540	o.r.	
6800	1RN8 717-8PA80-0C.0	746	440	96.7	97.0	97.0	96.6	0.85	0.85	0.80	0.70	87045	2.40	0.50	5.1	614	6160	o.r.	
7400	1RN8 718-8PA80-0C.0	746	495	96.8	97.1	97.0	96.6	0.86	0.85	0.80	0.69	94725	2.50	0.50	5.3	677	7320	o.r.	



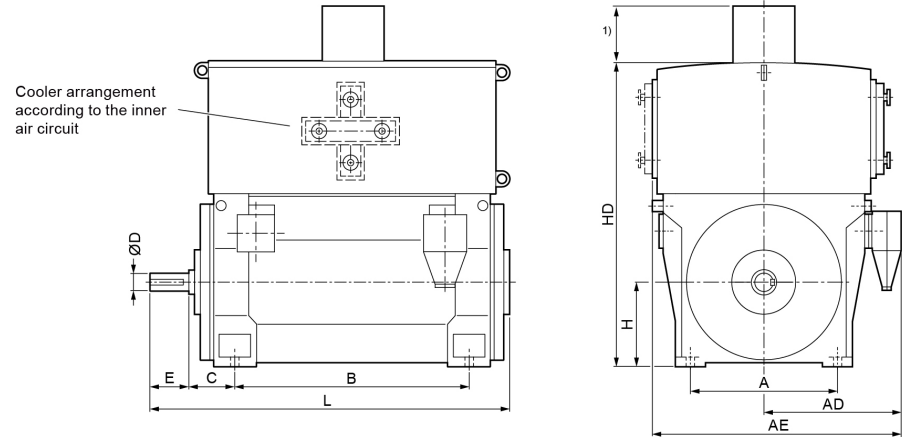
Motor type	Weight	Dimensions										
		A	AD	AE	B	C	D	E	H	HD	L	ML
	kg	mm	mm	mm	mm	mm	mm	mm	mm	mm	mm	mm
Innomotics HV M - 1RN. IC86W 10000 V / 50 Hz B3 (IM 1001) - Dimension drawings												
2-pole												
1RN7 453-2PA80-0AA2	4450	850	1140	1760	1180	250	95	130	450	2350	1790	o.r.
1RN7 453-2PA80-0AC2	4350	850	1140	1760	1180	475	95	130	450	2350	2010	o.r.
1RN7 453-2PA80-0CA0	4600	850	1140	1760	1180	250	95	130	450	2350	1790	o.r.
1RN7 453-2PA80-0CC0	4500	850	1140	1760	1180	475	95	130	450	2350	2010	o.r.
1RN7 454-2PA80-0AA2	4600	850	1140	1760	1180	250	95	130	450	2350	1790	o.r.
1RN7 454-2PA80-0AC2	4500	850	1140	1760	1180	475	95	130	450	2350	2010	o.r.
1RN7 454-2PA80-0CA2	4700	850	1140	1760	1180	250	95	130	450	2350	1790	o.r.
1RN7 454-2PA80-0CC2	4600	850	1140	1760	1180	475	95	130	450	2350	2010	o.r.
1RN7 457-2PA80-0AA2	4950	850	1140	1760	1400	250	95	130	450	2350	2000	o.r.
1RN7 457-2PA80-0AC2	4850	850	1140	1760	1400	475	95	130	450	2350	2220	o.r.
1RN7 457-2PA80-0CA2	5100	850	1140	1760	1400	250	95	130	450	2350	2000	o.r.
1RN7 457-2PA80-0CC2	5000	850	1140	1760	1400	475	95	130	450	2350	2220	o.r.
1RN7 458-2PA80-0AA2	5150	850	1140	1760	1400	250	95	130	450	2350	2000	o.r.
1RN7 458-2PA80-0AC2	5050	850	1140	1760	1400	475	95	130	450	2350	2220	o.r.
1RN7 458-2PA80-0CA2	5300	850	1140	1760	1400	250	95	130	450	2350	2000	o.r.
1RN7 458-2PA80-0CC2	5250	850	1140	1760	1400	475	95	130	450	2350	2220	o.r.
1RN7 503-2PA80-0AA0	5950	950	1220	1920	1320	250	110	165	500	2640	2000	o.r.
1RN7 503-2PA80-0AC0	5850	950	1220	1920	1320	530	120	165	500	2640	2280	o.r.
1RN7 503-2PA80-0CA0	6050	950	1220	1920	1320	250	110	165	500	2640	2000	o.r.
1RN7 503-2PA80-0CC0	6000	950	1220	1920	1320	530	120	165	500	2640	2280	o.r.
1RN7 504-2PA80-0AA0	6000	950	1220	1920	1320	250	110	165	500	2640	2000	o.r.
1RN7 504-2PA80-0AC0	5900	950	1220	1920	1320	530	120	165	500	2640	2280	o.r.



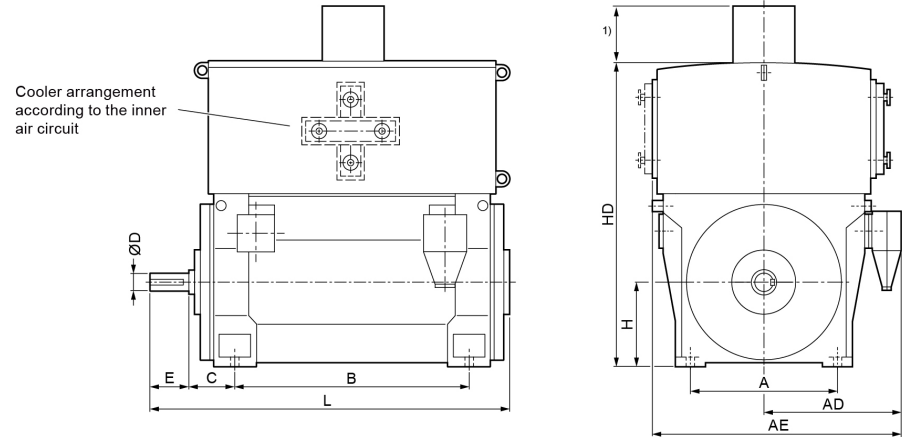
Motor type	Weight	Dimensions											
		A	AD	AE	B	C	D	E	H	HD	L	ML	
	kg	mm	mm	mm	mm	mm	mm	mm	mm	mm	mm	mm	mm
Innomotics HV M - 1RN. IC86W 10000 V / 50 Hz B3 (IM 1001) - Dimension drawings													
1RN7 504-2PA80-0CA2	6150	950	1220	1920	1320	250	110	165	500	2640	2000	o.r.	
1RN7 504-2PA80-0CC2	6050	950	1220	1920	1320	530	120	165	500	2640	2280	o.r.	
1RN7 507-2PA80-0AA2	6600	950	1220	1920	1500	250	110	165	500	2640	2210	o.r.	
1RN7 507-2PA80-0AC2	6550	950	1220	1920	1500	530	120	165	500	2640	2490	o.r.	
1RN7 507-2PA80-0CA2	6800	950	1220	1920	1500	250	110	165	500	2640	2210	o.r.	
1RN7 507-2PA80-0CC2	6700	950	1220	1920	1500	530	120	165	500	2640	2490	o.r.	
1RN7 508-2PA80-0AA2	7000	950	1220	1920	1500	250	110	165	500	2640	2210	o.r.	
1RN7 508-2PA80-0AC2	6900	950	1220	1920	1500	530	120	165	500	2640	2490	o.r.	
1RN7 508-2PA80-0CA2	7150	950	1220	1920	1500	250	110	165	500	2640	2210	o.r.	
1RN7 508-2PA80-0CC2	7100	950	1220	1920	1500	530	120	165	500	2640	2490	o.r.	
1RN7 562-2PA80-0CC2	8000	1060	1290	2060	1400	600	150	200	560	2830	2530	o.r.	
1RN7 563-2PA80-0CC2	8250	1060	1290	2060	1400	600	150	200	560	2830	2530	o.r.	
1RN7 564-2PA80-0CC2	8500	1060	1290	2060	1400	600	150	200	560	2830	2530	o.r.	
1RN7 567-2PA80-0CC2	9350	1060	1290	2060	1600	600	150	200	560	2830	2760	o.r.	
1RN7 568-2PA80-0CC2	9900	1060	1290	2060	1600	600	150	200	560	2830	2760	o.r.	
1RN8 632-2PA80-0CJ0	9550	1320	1520	2520	1600	560	160	240	630	3090	2760	o.r.	
1RN8 633-2PA80-0CJ0	10050	1320	1520	2520	1600	560	160	240	630	3090	2760	o.r.	
1RN8 634-2PA80-0CJ0	10500	1320	1520	2520	1600	560	160	240	630	3090	2760	o.r.	
1RN8 637-2PA80-0CJ0	11300	1320	1520	2520	1800	560	160	240	630	3090	2960	o.r.	
1RN8 638-2PA80-0CJ0	11950	1320	1520	2520	1800	560	160	240	630	3090	2960	o.r.	
1RN8 712-2PA80-0CJ0	13350	1500	1620	2720	2000	560	180	240	710	3360	3150	o.r.	
1RN8 713-2PA80-0CJ0	14050	1500	1620	2720	2000	560	180	240	710	3360	3150	o.r.	
1RN8 714-2PA80-0CJ0	14800	1500	1620	2720	2000	560	180	240	710	3360	3150	o.r.	



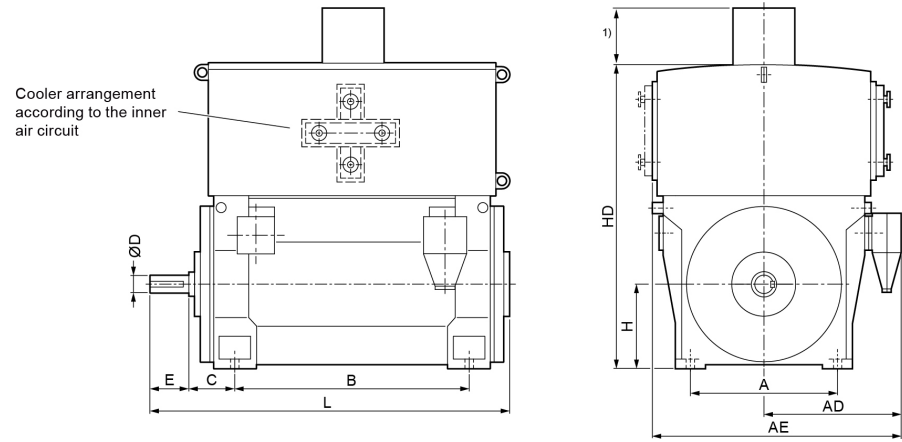
Motor type	Weight	Dimensions										
		A	AD	AE	B	C	D	E	H	HD	L	ML
	kg	mm	mm	mm	mm	mm	mm	mm	mm	mm	mm	mm
Innomotics HV M - 1RN. IC86W 10000 V / 50 Hz B3 (IM 1001) - Dimension drawings												
1RN8 716-2PA80-0CJ0	15650	1500	1620	2720	2240	560	180	240	710	3360	3390	o.r.
1RN8 717-2PA80-0CJ0	16500	1500	1620	2720	2240	560	180	240	710	3360	3390	o.r.
1RN8 718-2PA80-0CJ0	17200	1500	1620	2720	2240	560	180	240	710	3360	3390	o.r.
4-pole												
1RN7 453-4PA80-0AA0	4450	850	1140	1760	1180	250	130	200	450	1940	2290	o.r.
1RN7 453-4PA80-0AC0	4500	850	1140	1760	1180	500	130	200	450	1940	2540	o.r.
1RN7 453-4PA80-0CA0	4600	850	1140	1760	1180	250	130	200	450	1940	2290	o.r.
1RN7 453-4PA80-0CC0	4650	850	1140	1760	1180	500	130	200	450	1940	2540	o.r.
1RN7 454-4PA80-0AA0	4650	850	1140	1760	1180	250	130	200	450	1940	2290	o.r.
1RN7 454-4PA80-0AC0	4650	850	1140	1760	1180	500	130	200	450	1940	2540	o.r.
1RN7 454-4PA80-0CA2	4800	850	1140	1760	1180	250	130	200	450	1940	2290	o.r.
1RN7 454-4PA80-0CC2	4850	850	1140	1760	1180	500	130	200	450	1940	2540	o.r.
1RN7 457-4PA80-0CA2	5400	850	1140	1760	1400	250	130	200	450	1940	2500	o.r.
1RN7 457-4PA80-0CC2	5450	850	1140	1760	1400	500	130	200	450	1940	2750	o.r.
1RN7 457-4PA80-0AA0	5250	850	1140	1760	1400	250	130	200	450	1940	2500	o.r.
1RN7 457-4PA80-0AC0	5250	850	1140	1760	1400	500	130	200	450	1940	2750	o.r.
1RN7 458-4PA80-0AA2	5450	850	1140	1760	1400	250	130	200	450	1940	2500	o.r.
1RN7 458-4PA80-0AC2	5450	850	1140	1760	1400	500	130	200	450	1940	2750	o.r.
1RN7 458-4PA80-0CA2	5650	850	1140	1760	1400	250	130	200	450	1940	2500	o.r.
1RN7 458-4PA80-0CC2	5650	850	1140	1760	1400	500	130	200	450	1940	2750	o.r.
1RN7 503-4PA80-0AA2	6200	950	1220	1920	1320	315	160	240	500	2640	2140	o.r.
1RN7 503-4PA80-0AC2	6250	950	1220	1920	1320	560	170	240	500	2640	2380	o.r.
1RN7 503-4PA80-0CA0	6300	950	1220	1920	1320	315	160	240	500	2640	2140	o.r.



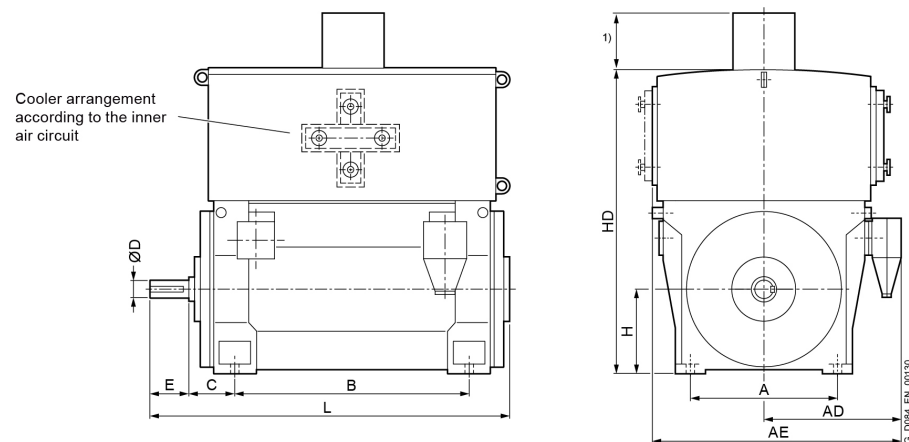
Motor type	Weight	Dimensions										
		A	AD	AE	B	C	D	E	H	HD	L	ML
	kg	mm	mm	mm	mm	mm	mm	mm	mm	mm	mm	mm
Innomotics HV M - 1RN. IC86W 10000 V / 50 Hz B3 (IM 1001) - Dimension drawings												
1RN7 503-4PA80-0CC0	6400	950	1220	1920	1320	560	170	240	500	2640	2380	o.r.
1RN7 504-4PA80-0CA2	6600	950	1220	1920	1320	315	160	240	500	2640	2140	o.r.
1RN7 504-4PA80-0CC2	6650	950	1220	1920	1320	560	170	240	500	2640	2380	o.r.
1RN7 504-4PA80-0AA2	6450	950	1220	1920	1320	315	160	240	500	2640	2140	o.r.
1RN7 504-4PA80-0AC2	6550	950	1220	1920	1320	560	170	240	500	2640	2380	o.r.
1RN7 507-4PA80-0CA2	7250	950	1220	1920	1500	315	160	240	500	2640	2350	o.r.
1RN7 507-4PA80-0CC2	7350	950	1220	1920	1500	560	170	240	500	2640	2590	o.r.
1RN7 507-4PA80-0AA2	7050	950	1220	1920	1500	315	160	240	500	2640	2350	o.r.
1RN7 507-4PA80-0AC2	7150	950	1220	1920	1500	560	170	240	500	2640	2590	o.r.
1RN7 508-4PA80-0CA2	7600	950	1220	1920	1500	315	160	240	500	2640	2350	o.r.
1RN7 508-4PA80-0CC2	7700	950	1220	1920	1500	560	170	240	500	2640	2590	o.r.
1RN7 508-4PA80-0AA2	7400	950	1220	1920	1500	315	160	240	500	2640	2350	o.r.
1RN7 508-4PA80-0AC2	7500	950	1220	1920	1500	560	170	240	500	2640	2590	o.r.
1RN7 563-4PA80-0CA2	8300	1060	1290	2060	1400	335	190	280	560	2830	2340	o.r.
1RN7 563-4PA80-0CC2	8350	1060	1290	2060	1400	600	190	280	560	2830	2610	o.r.
1RN7 564-4PA80-0CA2	8750	1060	1290	2060	1400	335	190	280	560	2830	2340	o.r.
1RN7 564-4PA80-0CC2	8850	1060	1290	2060	1400	600	190	280	560	2830	2610	o.r.
1RN7 566-4PA80-0CA2	9600	1060	1290	2060	1600	335	190	280	560	2830	2570	o.r.
1RN7 566-4PA80-0CC2	9700	1060	1290	2060	1600	600	190	280	560	2830	2840	o.r.
1RN7 567-4PA80-0CA2	10000	1060	1290	2060	1600	335	190	280	560	2830	2570	o.r.
1RN7 567-4PA80-0CC2	10100	1060	1290	2060	1600	600	190	280	560	2830	2840	o.r.
1RN7 568-4PA80-0CA2	10500	1060	1290	2060	1600	335	190	280	560	2830	2570	o.r.
1RN7 568-4PA80-0CC2	10550	1060	1290	2060	1600	600	190	280	560	2830	2840	o.r.



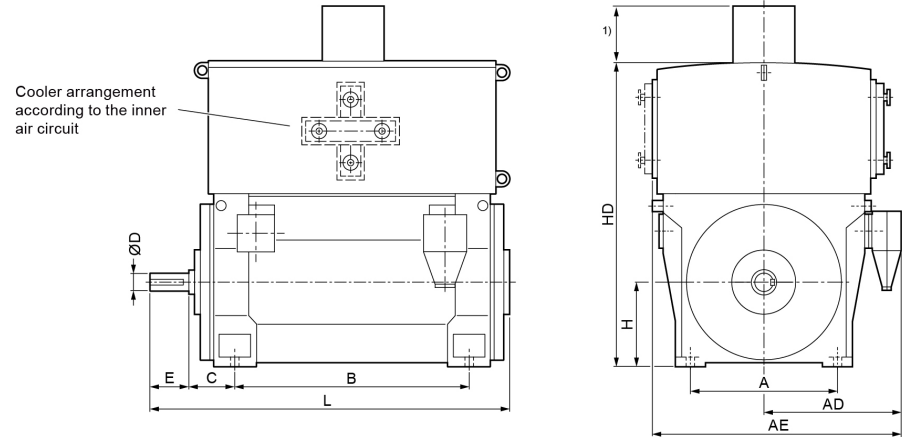
Motor type	Weight	Dimensions										
		A	AD	AE	B	C	D	E	H	HD	L	ML
	kg	mm	mm	mm	mm	mm	mm	mm	mm	mm	mm	mm
Innomotics HV M - 1RN. IC86W 10000 V / 50 Hz B3 (IM 1001) - Dimension drawings												
1RN8 633-4PA80-0CG0	10700	1320	1520	2520	1600	375	200	280	630	3090	2620	o.r.
1RN8 633-4PA80-0CJ0	10800	1320	1520	2520	1600	630	200	280	630	3090	2870	o.r.
1RN8 634-4PA80-0CG0	11250	1320	1520	2520	1600	375	200	280	630	3090	2620	o.r.
1RN8 634-4PA80-0CJ0	11350	1320	1520	2520	1600	630	200	280	630	3090	2870	o.r.
1RN8 637-4PA80-0CG0	12100	1320	1520	2520	1800	375	200	280	630	3090	2820	o.r.
1RN8 637-4PA80-0CJ0	12200	1320	1520	2520	1800	630	200	280	630	3090	3070	o.r.
1RN8 638-4PA80-0CG0	12700	1320	1520	2520	1800	375	200	280	630	3090	2820	o.r.
1RN8 638-4PA80-0CJ0	12800	1320	1520	2520	1800	630	200	280	630	3090	3070	o.r.
1RN8 712-4PA80-0CG0	14500	1500	1620	2720	2000	375	220	280	710	3360	3010	o.r.
1RN8 712-4PA80-0CJ0	14650	1500	1620	2720	2000	630	220	280	710	3360	3260	o.r.
1RN8 713-4PA80-0CG0	15200	1500	1620	2720	2000	375	220	280	710	3360	3010	o.r.
1RN8 713-4PA80-0CJ0	15350	1500	1620	2720	2000	630	220	280	710	3360	3260	o.r.
1RN8 714-4PA80-0CG0	15900	1500	1620	2720	2000	375	220	280	710	3360	3010	o.r.
1RN8 714-4PA80-0CJ0	16050	1500	1620	2720	2000	630	220	280	710	3360	3260	o.r.
1RN8 717-4PA80-0CG0	17050	1500	1620	2720	2240	375	220	280	710	3360	3250	o.r.
1RN8 717-4PA80-0CJ0	17200	1500	1620	2720	2240	630	220	280	710	3360	3500	o.r.
1RN8 718-4PA80-0CG2	17650	1500	1620	2720	2240	375	220	280	710	3360	3250	o.r.
1RN8 718-4PA80-0CJ2	17800	1500	1620	2720	2240	630	220	280	710	3360	3500	o.r.
6-pole												
1RN7 452-6PA80-0AA0	4300	850	1140	1760	1180	250	130	200	450	1940	2290	o.r.
1RN7 452-6PA80-0AC0	4350	850	1140	1760	1180	500	130	200	450	1940	2540	o.r.
1RN7 452-6PA80-0CA0	4450	850	1140	1760	1180	250	130	200	450	1940	2290	o.r.
1RN7 452-6PA80-0CC0	4500	850	1140	1760	1180	500	130	200	450	1940	2540	o.r.



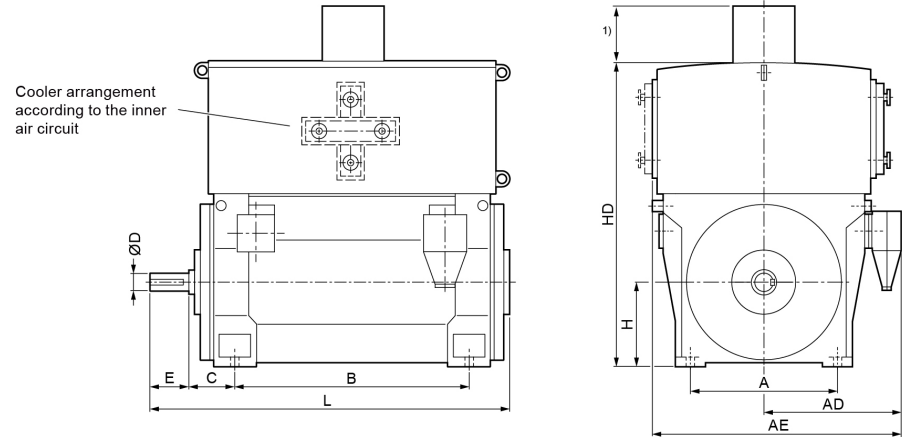
Motor type	Weight	Dimensions										
		A	AD	AE	B	C	D	E	H	HD	L	ML
	kg	mm	mm	mm	mm	mm	mm	mm	mm	mm	mm	mm
Innomotics HV M - 1RN. IC86W 10000 V / 50 Hz B3 (IM 1001) - Dimension drawings												
1RN7 453-6PA80-0AA0	4450	850	1140	1760	1180	250	130	200	450	1940	2290	o.r.
1RN7 453-6PA80-0AC0	4500	850	1140	1760	1180	500	130	200	450	1940	2540	o.r.
1RN7 453-6PA80-0CA0	4650	850	1140	1760	1180	250	130	200	450	1940	2290	o.r.
1RN7 453-6PA80-0CC0	4650	850	1140	1760	1180	500	130	200	450	1940	2540	o.r.
1RN7 454-6PA80-0AA0	4650	850	1140	1760	1180	250	130	200	450	1940	2290	o.r.
1RN7 454-6PA80-0AC0	4700	850	1140	1760	1180	500	130	200	450	1940	2540	o.r.
1RN7 454-6PA80-0CA0	4800	850	1140	1760	1180	250	130	200	450	1940	2290	o.r.
1RN7 454-6PA80-0CC0	4850	850	1140	1760	1180	500	130	200	450	1940	2540	o.r.
1RN7 457-6PA80-0AA0	5100	850	1140	1760	1400	250	130	200	450	1940	2500	o.r.
1RN7 457-6PA80-0AC0	5150	850	1140	1760	1400	500	130	200	450	1940	2750	o.r.
1RN7 457-6PA80-0CA0	5300	850	1140	1760	1400	250	130	200	450	1940	2500	o.r.
1RN7 457-6PA80-0CC0	5300	850	1140	1760	1400	500	130	200	450	1940	2750	o.r.
1RN7 458-6PA80-0AA0	5400	850	1140	1760	1400	250	130	200	450	1940	2500	o.r.
1RN7 458-6PA80-0AC0	5400	850	1140	1760	1400	500	130	200	450	1940	2750	o.r.
1RN7 458-6PA80-0CA0	5600	850	1140	1760	1400	250	130	200	450	1940	2500	o.r.
1RN7 458-6PA80-0CC0	5600	850	1140	1760	1400	500	130	200	450	1940	2750	o.r.
1RN7 502-6PA80-0CA2	6250	950	1220	1920	1320	315	160	240	500	2230	2520	o.r.
1RN7 502-6PA80-0CC2	6300	950	1220	1920	1320	560	170	240	500	2230	2760	o.r.
1RN7 502-6PA80-0AA0	6000	950	1220	1920	1320	315	160	240	500	2230	2520	o.r.
1RN7 502-6PA80-0AC0	6050	950	1220	1920	1320	560	170	240	500	2230	2760	o.r.
1RN7 503-6PA80-0CA2	6500	950	1220	1920	1320	315	160	240	500	2230	2520	o.r.
1RN7 503-6PA80-0CC2	6550	950	1220	1920	1320	560	170	240	500	2230	2760	o.r.
1RN7 503-6PA80-0AA0	6250	950	1220	1920	1320	315	160	240	500	2230	2520	o.r.



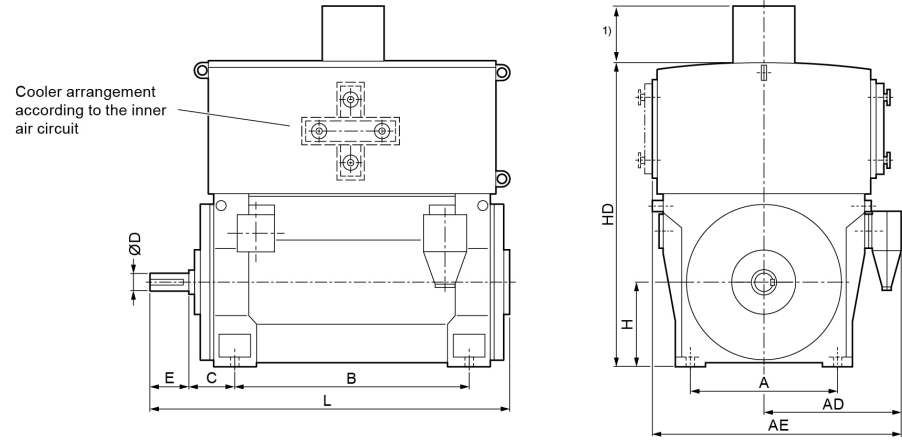
Motor type	Weight	Dimensions										
		A	AD	AE	B	C	D	E	H	HD	L	ML
	kg	mm	mm	mm	mm	mm	mm	mm	mm	mm	mm	mm
Innomotics HV M - 1RN. IC86W 10000 V / 50 Hz B3 (IM 1001) - Dimension drawings												
1RN7 503-6PA80-0AC0	6300	950	1220	1920	1320	560	170	240	500	2230	2760	o.r.
1RN7 504-6PA80-0CA2	6750	950	1220	1920	1320	315	160	240	500	2230	2520	o.r.
1RN7 504-6PA80-0CC2	6800	950	1220	1920	1320	560	170	240	500	2230	2760	o.r.
1RN7 504-6PA80-0AA2	6500	950	1220	1920	1320	315	160	240	500	2230	2520	o.r.
1RN7 504-6PA80-0AC2	6550	950	1220	1920	1320	560	170	240	500	2230	2760	o.r.
1RN7 507-6PA80-0CA2	7400	950	1220	1920	1500	315	160	240	500	2230	2730	o.r.
1RN7 507-6PA80-0CC2	7450	950	1220	1920	1500	560	170	240	500	2230	2970	o.r.
1RN7 507-6PA80-0AA2	7200	950	1220	1920	1500	315	160	240	500	2230	2730	o.r.
1RN7 507-6PA80-0AC2	7250	950	1220	1920	1500	560	170	240	500	2230	2970	o.r.
1RN7 508-6PA80-0AA2	7500	950	1220	1920	1500	315	160	240	500	2230	2730	o.r.
1RN7 508-6PA80-0AC2	7550	950	1220	1920	1500	560	170	240	500	2230	2970	o.r.
1RN7 508-6PA80-0CA2	7800	950	1220	1920	1500	315	160	240	500	2230	2730	o.r.
1RN7 508-6PA80-0CC2	7850	950	1220	1920	1500	560	170	240	500	2230	2970	o.r.
1RN7 562-6PA80-0CA2	8700	1060	1290	2060	1400	335	190	280	560	2680	2770	o.r.
1RN7 562-6PA80-0CC2	8750	1060	1290	2060	1400	600	190	280	560	2680	3030	o.r.
1RN7 563-6PA80-0CA2	9000	1060	1290	2060	1400	335	190	280	560	2680	2770	o.r.
1RN7 563-6PA80-0CC2	9050	1060	1290	2060	1400	600	190	280	560	2680	3030	o.r.
1RN7 564-6PA80-0CA2	9400	1060	1290	2060	1400	335	190	280	560	2680	2770	o.r.
1RN7 564-6PA80-0CC2	9450	1060	1290	2060	1400	600	190	280	560	2680	3030	o.r.
1RN7 567-6PA80-0CA2	10200	1060	1290	2060	1600	335	190	280	560	2680	3000	o.r.
1RN7 567-6PA80-0CC2	10250	1060	1290	2060	1600	600	190	280	560	2680	3260	o.r.
1RN7 568-6PA80-0CA2	10800	1060	1290	2060	1600	335	190	280	560	2680	3000	o.r.
1RN7 568-6PA80-0CC2	10850	1060	1290	2060	1600	600	190	280	560	2680	3260	o.r.



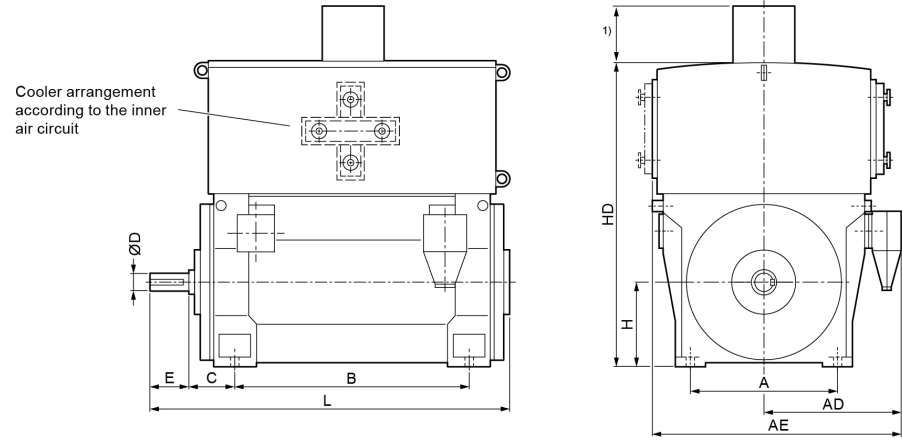
Motor type	Weight	Dimensions										
		A	AD	AE	B	C	D	E	H	HD	L	ML
	kg	mm	mm	mm	mm	mm	mm	mm	mm	mm	mm	mm
Innomotics HV M - 1RN. IC86W 10000 V / 50 Hz B3 (IM 1001) - Dimension drawings												
1RN8 632-6PA80-0CG0	10700	1320	1520	2520	1600	375	200	280	630	3090	2620	o.r.
1RN8 632-6PA80-0CJ0	10800	1320	1520	2520	1600	630	200	280	630	3090	2870	o.r.
1RN8 633-6PA80-0CG2	11100	1320	1520	2520	1600	375	200	280	630	3090	2620	o.r.
1RN8 633-6PA80-0CJ2	11250	1320	1520	2520	1600	630	200	280	630	3090	2870	o.r.
1RN8 634-6PA80-0CG0	11650	1320	1520	2520	1600	375	200	280	630	3090	2620	o.r.
1RN8 634-6PA80-0CJ0	11750	1320	1520	2520	1600	630	200	280	630	3090	2870	o.r.
1RN8 637-6PA80-0CG0	12400	1320	1520	2520	1800	375	200	280	630	3090	2820	o.r.
1RN8 637-6PA80-0CJ0	12500	1320	1520	2520	1800	630	200	280	630	3090	3070	o.r.
1RN8 638-6PA80-0CG0	12900	1320	1520	2520	1800	375	200	280	630	3090	2820	o.r.
1RN8 638-6PA80-0CJ0	13050	1320	1520	2520	1800	630	200	280	630	3090	3070	o.r.
1RN8 712-6PA80-0CG0	14450	1500	1620	2720	2000	375	220	280	710	3360	3010	o.r.
1RN8 712-6PA80-0CJ0	14600	1500	1620	2720	2000	630	220	280	710	3360	3260	o.r.
1RN8 713-6PA80-0CG0	15400	1500	1620	2720	2000	375	220	280	710	3360	3010	o.r.
1RN8 713-6PA80-0CJ0	15500	1500	1620	2720	2000	630	220	280	710	3360	3260	o.r.
1RN8 714-6PA80-0CG0	16450	1500	1620	2720	2000	375	220	280	710	3360	3010	o.r.
1RN8 714-6PA80-0CJ0	16550	1500	1620	2720	2000	630	220	280	710	3360	3260	o.r.
1RN8 717-6PA80-0CG0	17800	1500	1620	2720	2240	375	220	280	710	3360	3250	o.r.
1RN8 717-6PA80-0CJ0	17950	1500	1620	2720	2240	630	220	280	710	3360	3500	o.r.
1RN8 718-6PA80-0CG0	18800	1500	1620	2720	2240	375	220	280	710	3360	3250	o.r.
1RN8 718-6PA80-0CJ0	18950	1500	1620	2720	2240	630	220	280	710	3360	3500	o.r.
8-pole												
1RN7 451-8PA80-0AA0	4300	850	1140	1760	1180	250	130	200	450	1940	2290	o.r.
1RN7 451-8PA80-0AC0	4300	850	1140	1760	1180	500	130	200	450	1940	2540	o.r.



Motor type	Weight	Dimensions										
		A	AD	AE	B	C	D	E	H	HD	L	ML
	kg	mm	mm	mm	mm	mm	mm	mm	mm	mm	mm	mm
Innomotics HV M - 1RN. IC86W 10000 V / 50 Hz B3 (IM 1001) - Dimension drawings												
1RN7 451-8PA80-0CA0	4450	850	1140	1760	1180	250	130	200	450	1940	2290	o.r.
1RN7 451-8PA80-0CC0	4450	850	1140	1760	1180	500	130	200	450	1940	2540	o.r.
1RN7 452-8PA80-0AA0	4450	850	1140	1760	1180	250	130	200	450	1940	2290	o.r.
1RN7 452-8PA80-0AC0	4500	850	1140	1760	1180	500	130	200	450	1940	2540	o.r.
1RN7 452-8PA80-0CA0	4600	850	1140	1760	1180	250	130	200	450	1940	2290	o.r.
1RN7 452-8PA80-0CC0	4650	850	1140	1760	1180	500	130	200	450	1940	2540	o.r.
1RN7 453-8PA80-0AA0	4650	850	1140	1760	1180	250	130	200	450	1940	2290	o.r.
1RN7 453-8PA80-0AC0	4700	850	1140	1760	1180	500	130	200	450	1940	2540	o.r.
1RN7 453-8PA80-0CA2	4800	850	1140	1760	1180	250	130	200	450	1940	2290	o.r.
1RN7 453-8PA80-0CC2	4850	850	1140	1760	1180	500	130	200	450	1940	2540	o.r.
1RN7 454-8PA80-0AA0	4900	850	1140	1760	1180	250	130	200	450	1940	2290	o.r.
1RN7 454-8PA80-0AC0	4900	850	1140	1760	1180	500	130	200	450	1940	2540	o.r.
1RN7 454-8PA80-0CA2	5050	850	1140	1760	1180	250	130	200	450	1940	2290	o.r.
1RN7 454-8PA80-0CC2	5100	850	1140	1760	1180	500	130	200	450	1940	2540	o.r.
1RN7 457-8PA80-0AA0	5400	850	1140	1760	1400	250	130	200	450	1940	2500	o.r.
1RN7 457-8PA80-0AC0	5400	850	1140	1760	1400	500	130	200	450	1940	2750	o.r.
1RN7 457-8PA80-0CA0	5550	850	1140	1760	1400	250	130	200	450	1940	2500	o.r.
1RN7 457-8PA80-0CC0	5600	850	1140	1760	1400	500	130	200	450	1940	2750	o.r.
1RN7 458-8PA80-0AA2	5650	850	1140	1760	1400	250	130	200	450	1940	2500	o.r.
1RN7 458-8PA80-0AC2	5650	850	1140	1760	1400	500	130	200	450	1940	2750	o.r.
1RN7 458-8PA80-0CA2	5850	850	1140	1760	1400	250	130	200	450	1940	2500	o.r.
1RN7 458-8PA80-0CC2	5850	850	1140	1760	1400	500	130	200	450	1940	2750	o.r.
1RN7 502-8PA80-0CA2	6250	950	1220	1920	1320	315	160	240	500	2230	2520	o.r.



Motor type	Weight	Dimensions												
		A	AD	AE	B	C	D	E	H	HD	L	ML		
	kg	mm	mm	mm	mm	mm	mm	mm	mm	mm	mm	mm	mm	
Innomotics HV M - 1RN. IC86W 10000 V / 50 Hz B3 (IM 1001) - Dimension drawings														
1RN7 502-8PA80-0CC2	6300	950	1220	1920	1320	560	170	240	500	2230	2760	o.r.		
1RN7 502-8PA80-0AA2	6000	950	1220	1920	1320	315	160	240	500	2230	2520	o.r.		
1RN7 502-8PA80-0AC2	6050	950	1220	1920	1320	560	170	240	500	2230	2760	o.r.		
1RN7 503-8PA80-0AA2	6250	950	1220	1920	1320	315	160	240	500	2230	2520	o.r.		
1RN7 503-8PA80-0AC2	6300	950	1220	1920	1320	560	170	240	500	2230	2760	o.r.		
1RN7 503-8PA80-0CA2	6500	950	1220	1920	1320	315	160	240	500	2230	2520	o.r.		
1RN7 503-8PA80-0CC2	6550	950	1220	1920	1320	560	170	240	500	2230	2760	o.r.		
1RN7 504-8PA80-0AA2	6550	950	1220	1920	1320	315	160	240	500	2230	2520	o.r.		
1RN7 504-8PA80-0AC2	6600	950	1220	1920	1320	560	170	240	500	2230	2760	o.r.		
1RN7 504-8PA80-0CA2	6800	950	1220	1920	1320	315	160	240	500	2230	2520	o.r.		
1RN7 504-8PA80-0CC2	6850	950	1220	1920	1320	560	170	240	500	2230	2760	o.r.		
1RN7 507-8PA80-0AA2	7200	950	1220	1920	1500	315	160	240	500	2230	2730	o.r.		
1RN7 507-8PA80-0AC2	7300	950	1220	1920	1500	560	170	240	500	2230	2970	o.r.		
1RN7 507-8PA80-0CA2	7500	950	1220	1920	1500	315	160	240	500	2230	2730	o.r.		
1RN7 507-8PA80-0CC2	7550	950	1220	1920	1500	560	170	240	500	2230	2970	o.r.		
1RN7 508-8PA80-0AA2	7550	950	1220	1920	1500	315	160	240	500	2230	2730	o.r.		
1RN7 508-8PA80-0AC2	7600	950	1220	1920	1500	560	170	240	500	2230	2970	o.r.		
1RN7 508-8PA80-0CA2	7800	950	1220	1920	1500	315	160	240	500	2230	2730	o.r.		
1RN7 508-8PA80-0CC2	7850	950	1220	1920	1500	560	170	240	500	2230	2970	o.r.		
1RN7 562-8PA80-0CA2	8600	1060	1290	2060	1400	335	190	280	560	2680	2770	o.r.		
1RN7 562-8PA80-0CC2	8650	1060	1290	2060	1400	600	190	280	560	2680	3030	o.r.		
1RN7 563-8PA80-0CA2	8850	1060	1290	2060	1400	335	190	280	560	2680	2770	o.r.		
1RN7 563-8PA80-0CC2	8950	1060	1290	2060	1400	600	190	280	560	2680	3030	o.r.		



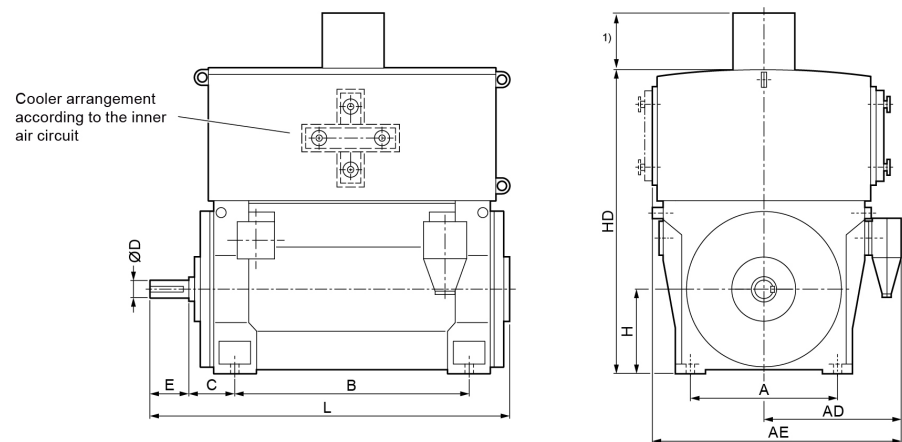
Motor type	Weight	Dimensions										
		A	AD	AE	B	C	D	E	H	HD	L	ML
	kg	mm	mm	mm	mm	mm	mm	mm	mm	mm	mm	mm
Innomotics HV M - 1RN. IC86W 10000 V / 50 Hz B3 (IM 1001) - Dimension drawings												
1RN7 564-8PA80-0CA2	9350	1060	1290	2060	1400	335	190	280	560	2680	2770	o.r.
1RN7 564-8PA80-0CC2	9450	1060	1290	2060	1400	600	190	280	560	2680	3030	o.r.
1RN7 567-8PA80-0CA2	10200	1060	1290	2060	1600	335	190	280	560	2680	3000	o.r.
1RN7 567-8PA80-0CC2	10300	1060	1290	2060	1600	600	190	280	560	2680	3260	o.r.
1RN7 568-8PA80-0CA2	10700	1060	1290	2060	1600	335	190	280	560	2680	3000	o.r.
1RN7 568-8PA80-0CC2	10800	1060	1290	2060	1600	600	190	280	560	2680	3260	o.r.
1RN8 634-8PA80-0CG0	10750	1320	1520	2520	1600	375	200	280	630	3090	2620	o.r.
1RN8 634-8PA80-0CJ0	10850	1320	1520	2520	1600	630	200	280	630	3090	2870	o.r.
1RN8 637-8PA80-0CG0	11850	1320	1520	2520	1800	375	200	280	630	3090	2820	o.r.
1RN8 637-8PA80-0CJ0	11950	1320	1520	2520	1800	630	200	280	630	3090	3070	o.r.
1RN8 638-8PA80-0CG0	12550	1320	1520	2520	1800	375	200	280	630	3090	2820	o.r.
1RN8 638-8PA80-0CJ0	12650	1320	1520	2520	1800	630	200	280	630	3090	3070	o.r.
1RN8 712-8PA80-0CG0	13900	1500	1620	2720	2000	375	220	280	710	3270	3010	o.r.
1RN8 712-8PA80-0CJ0	14100	1500	1620	2720	2000	630	220	280	710	3270	3260	o.r.
1RN8 713-8PA80-0CG0	14700	1500	1620	2720	2000	375	220	280	710	3270	3010	o.r.
1RN8 713-8PA80-0CJ0	14900	1500	1620	2720	2000	630	220	280	710	3270	3260	o.r.
1RN8 714-8PA80-0CG0	15850	1500	1620	2720	2000	375	220	280	710	3270	3010	o.r.
1RN8 714-8PA80-0CJ0	16050	1500	1620	2720	2000	630	220	280	710	3270	3260	o.r.
1RN8 717-8PA80-0CG0	17450	1500	1620	2720	2240	375	220	280	710	3270	3250	o.r.
1RN8 717-8PA80-0CJ0	17600	1500	1620	2720	2240	630	220	280	710	3270	3500	o.r.
1RN8 718-8PA80-0CG0	18500	1500	1620	2720	2240	375	220	280	710	3270	3250	o.r.
1RN8 718-8PA80-0CJ0	18650	1500	1620	2720	2240	630	220	280	710	3270	3500	o.r.

Innomotics HV M - 1RN. IC86W 11000 V / 50 Hz B3 (IM 1001)																			
Rated power IEC	Article No.	Speed	Rated current		Efficiency				Power factor				Torque	Breakdown torque	Locked rotor torque	Locked rotor current	Inertia		
			I_R		5/4 load	4/4 load	3/4 load	2/4 load	5/4 load	4/4 load	3/4 load	2/4 load					T_R	T_B/ T_R	T_{LR}/ T_R
kW		rpm	A		%	%	%	%	cos φ	cos φ	cos φ	cos φ	Nm	[-]	[-]	[-]	kgm ²	kgm ²	[-]
2-pole: n_{sync} = 3000 rpm at 50 Hz																			
1260	1RN7 452-2PA90-0A.0	2978	79		94.8	95.6	95.9	95.7	0.87	0.88	0.87	0.83	4040	2.20	0.50	5.2	9	45	o.r.
1400	1RN7 453-2PA90-0A.0	2978	87		95.1	95.8	96.1	95.9	0.87	0.88	0.87	0.83	4489	2.20	0.50	5.2	10	55	o.r.
1400	1RN7 453-2PA90-0C.0	2977	85		95.1	95.8	96.1	95.9	0.88	0.90	0.89	0.87	4491	2.20	0.55	5.2	14	75	o.r.
1500	1RN7 454-2PA90-0A.0	2980	93		95.3	95.9	96.1	95.7	0.87	0.88	0.86	0.80	4807	2.50	0.55	6.0	11	55	o.r.
1500	1RN7 454-2PA90-0C.0	2978	91		95.2	96.0	96.2	96.0	0.89	0.90	0.90	0.87	4810	2.30	0.60	5.4	15	75	o.r.
1700	1RN7 457-2PA90-0A.0	2980	106		95.5	96.1	96.2	95.9	0.88	0.88	0.86	0.80	5448	2.50	0.55	6.0	12	75	o.r.
1700	1RN7 457-2PA90-0C.0	2979	104		95.5	96.1	96.2	95.9	0.89	0.90	0.89	0.86	5449	2.50	0.60	5.6	16	100	o.r.
1900	1RN7 458-2PA90-0A.0	2980	116		95.7	96.3	96.5	96.2	0.88	0.89	0.87	0.82	6088	2.55	0.60	6.0	13	80	o.r.
1900	1RN7 458-2PA90-0C.0	2980	114		95.7	96.3	96.5	96.2	0.90	0.91	0.90	0.87	6088	2.50	0.60	5.8	17	110	o.r.
2200	1RN7 503-2PA90-0C.0	2976	134		95.7	96.3	96.7	96.6	0.88	0.89	0.89	0.86	7059	2.25	0.55	4.4	20	134	o.r.
2150	1RN7 503-2PA90-0A.0	2971	134		95.5	96.1	96.6	96.8	0.86	0.88	0.88	0.86	6910	2.00	0.45	5.0	15	28	o.r.
2500	1RN7 504-2PA90-0C.0	2977	152		96.0	96.5	96.7	96.6	0.88	0.89	0.89	0.84	8019	2.45	0.70	4.8	21	126	o.r.
2300	1RN7 504-2PA90-0A.0	2972	142		95.5	96.2	96.7	96.8	0.86	0.88	0.88	0.86	7390	2.00	0.45	5.0	15	28	o.r.
2750	1RN7 507-2PA90-0C.0	2979	166		96.3	96.7	97.0	96.9	0.89	0.90	0.90	0.86	8815	2.50	0.70	5.1	24	140	o.r.
2600	1RN7 507-2PA90-0A.0	2973	158		95.9	96.5	96.9	97.0	0.88	0.89	0.90	0.87	8351	2.30	0.50	5.4	18	36	o.r.
3100	1RN7 508-2PA90-0C.0	2980	184		96.5	96.9	97.1	97.0	0.90	0.91	0.91	0.87	9934	2.60	0.75	5.4	27	148	o.r.
2850	1RN7 508-2PA90-0A.0	2976	174		96.2	96.7	97.0	97.0	0.88	0.89	0.90	0.86	9145	2.50	0.45	5.9	20	44	o.r.
3670	1RN7 562-2PA90-0CC0	2982	225		96.3	96.6	96.8	96.5	0.88	0.89	0.88	0.85	11752	2.25	0.60	5.1	41	235	o.r.
3920	1RN7 563-2PA90-0CC0	2981	235		96.4	96.7	96.9	96.7	0.88	0.90	0.89	0.86	12557	2.25	0.55	5.1	44	240	o.r.
4430	1RN7 564-2PA90-0CC0	2983	270		96.5	96.7	96.9	96.5	0.88	0.89	0.87	0.83	14181	2.50	0.65	5.7	47	220	o.r.
5000	1RN7 567-2PA90-0CC0	2982	300		96.7	97.0	97.2	96.9	0.89	0.90	0.90	0.87	16012	2.35	0.60	5.4	52	270	o.r.
5170	1RN7 568-2PA90-0CC0	2985	305		96.9	97.1	97.2	96.9	0.91	0.91	0.90	0.86	16539	2.70	0.65	6.2	58	260	o.r.
5800	1RN8 632-2PA90-0CJ0	2982	355		96.3	96.9	96.8	96.4	0.86	0.88	0.89	0.87	18573	2.00	0.50	4.6	75	270	o.r.
6550	1RN8 633-2PA90-0CJ0	2982	400		96.5	97.0	97.0	96.6	0.87	0.89	0.89	0.88	20975	2.05	0.50	4.8	82	270	o.r.
7050	1RN8 634-2PA90-0CJ0	2982	430		96.6	97.1	97.1	96.7	0.87	0.89	0.90	0.89	22576	2.10	0.55	5.0	90	270	o.r.
8050	1RN8 637-2PA90-0CJ0	2983	480		96.8	97.3	97.2	96.9	0.88	0.90	0.91	0.89	25770	2.20	0.60	5.3	99	270	o.r.
8850	1RN8 638-2PA90-0CJ0	2984	520		97.0	97.4	97.4	97.0	0.89	0.91	0.91	0.89	28321	2.35	0.65	5.6	108	270	o.r.
9150	1RN8 712-2PA90-0CJ0	2984	560		96.7	97.0	97.0	96.5	0.85	0.88	0.89	0.88	29282	1.75	0.50	4.1	149	220	o.r.
9900	1RN8 713-2PA90-0CJ0	2985	600		96.8	97.1	97.1	96.6	0.86	0.89	0.89	0.89	31671	1.90	0.50	4.0	160	210	o.r.
10600	1RN8 714-2PA90-0CJ0	2986	630		97.0	97.2	97.1	96.6	0.88	0.91	0.90	0.89	33899	2.10	0.55	4.4	173	210	o.r.
12000	1RN8 716-2PA90-0CJ0	2986	720		97.1	97.3	97.3	96.8	0.88	0.90	0.90	0.89	38376	2.10	0.60	5.0	186	190	o.r.
13200	1RN8 717-2PA90-0CJ0	2987	780		97.3	97.4	97.4	96.9	0.89	0.91	0.91	0.90	42200	2.20	0.60	5.2	202	170	o.r.
13850	1RN8 718-2PA90-0CJ0	2988	820		97.2	97.4	97.4	97.0	0.89	0.91	0.91	0.90	44263	2.20	0.60	5.3	220	220	o.r.
4-pole: n_{sync} = 1500 rpm at 50 Hz																			
1380	1RN7 453-4PA90-0C.0	1486	87		95.0	95.8	96.2	96.1	0.87	0.87	0.84	0.77	8868	2.35	0.55	5.2	23	290	o.r.
1350	1RN7 453-4PA90-0A.0	1483	85		94.8	95.6	96.1	96.1	0.87	0.87	0.85	0.78	8693	2.30	0.65	5.5	17	310	o.r.

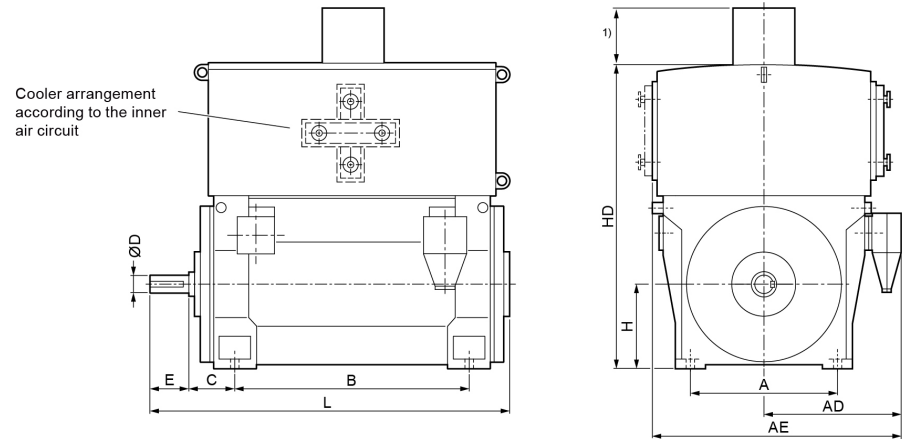
Innomotics HV M - 1RN. IC86W 11000 V / 50 Hz B3 (IM 1001)																		
Rated power IEC	Article No.	Speed	Rated current I_R	Efficiency				Power factor				Torque T_R	Breakdown torque T_B/ T_R	Locked rotor torque T_{LR}/ T_R	Locked rotor current I_{LR}/ I_R	Inertia		
				5/4 load	4/4 load	3/4 load	2/4 load	5/4 load	4/4 load	3/4 load	2/4 load					motor	external	Startup max T/TR
kW		rpm	A	%	%	%	%	$\cos \varphi$	$\cos \varphi$	$\cos \varphi$	$\cos \varphi$	Nm	[-]	[-]	[-]	kgm ²	kgm ²	[-]
1430	1RN7 454-4PA90-0A.0	1485	89	95.0	95.8	96.1	96.1	0.88	0.88	0.84	0.76	9196	2.60	0.80	6.0	19	315	o.r.
1480	1RN7 454-4PA90-0C.0	1486	92	95.2	95.9	96.3	96.3	0.88	0.88	0.86	0.79	9511	2.35	0.55	5.3	25	300	o.r.
1650	1RN7 457-4PA90-0A.0	1486	102	95.5	96.1	96.4	96.3	0.88	0.88	0.84	0.76	10603	2.85	0.90	6.5	22	430	o.r.
1750	1RN7 457-4PA90-0C.0	1488	108	95.6	96.3	96.5	96.5	0.88	0.89	0.86	0.80	11231	2.55	0.60	5.8	30	380	o.r.
1830	1RN7 458-4PA90-0A.0	1486	114	95.6	96.2	96.5	96.3	0.88	0.88	0.83	0.74	11760	2.95	0.95	6.5	24	450	o.r.
1900	1RN7 458-4PA90-0C.0	1489	116	95.8	96.4	96.6	96.5	0.88	0.89	0.85	0.78	12185	2.70	0.65	6.0	32	430	o.r.
2100	1RN7 503-4PA90-0A.0	1486	128	95.7	96.4	96.9	97.0	0.88	0.90	0.88	0.85	13495	2.30	0.80	5.2	37	450	o.r.
2150	1RN7 503-4PA90-0C.0	1487	132	95.8	96.5	97.0	97.0	0.88	0.89	0.89	0.86	13807	2.25	0.60	4.7	45	565	o.r.
2450	1RN7 504-4PA90-0A.0	1488	152	96.1	96.6	96.9	96.8	0.88	0.88	0.85	0.77	15723	2.70	0.95	6.0	40	605	o.r.
2450	1RN7 504-4PA90-0C.0	1489	152	96.2	96.7	97.0	96.7	0.86	0.87	0.84	0.77	15712	2.40	0.55	4.9	49	695	o.r.
2600	1RN7 507-4PA90-0A.0	1485	156	95.9	96.6	97.1	97.2	0.89	0.90	0.89	0.87	16719	2.25	0.80	5.2	46	505	o.r.
2630	1RN7 507-4PA90-0C.0	1488	158	96.1	96.8	97.2	97.2	0.88	0.90	0.90	0.87	16878	2.30	0.60	4.8	56	770	o.r.
2850	1RN7 508-4PA90-0A.0	1487	172	96.2	96.7	97.2	97.2	0.89	0.90	0.89	0.85	18302	2.50	0.90	5.7	50	615	o.r.
2850	1RN7 508-4PA90-0C.0	1489	172	96.3	96.9	97.2	97.2	0.89	0.90	0.89	0.86	18278	2.40	0.65	5.2	62	740	o.r.
3180	1RN7 562-4PA90-0C.0	1496	196	96.2	96.7	97.2	97.2	0.86	0.88	0.87	0.84	20299	2.00	0.60	4.8	74	815	o.r.
3500	1RN7 563-4PA90-0C.0	1489	216	96.2	96.8	97.2	97.3	0.86	0.88	0.88	0.85	22446	2.00	0.60	4.9	80	840	o.r.
3900	1RN7 564-4PA90-0C.0	1490	237	96.4	96.9	97.4	97.4	0.87	0.89	0.89	0.87	24995	2.10	0.60	5.0	90	935	o.r.
4400	1RN7 566-4PA90-0C.0	1489	268	96.5	97.0	97.5	97.6	0.88	0.89	0.90	0.88	28218	2.05	0.60	4.9	100	1020	o.r.
4800	1RN7 567-4PA90-0C.0	1490	288	96.6	97.1	97.6	97.6	0.88	0.90	0.90	0.88	30763	2.10	0.65	5.1	110	1115	o.r.
5200	1RN7 568-4PA90-0C.0	1491	312	96.8	97.3	97.6	97.7	0.89	0.90	0.90	0.88	33304	2.25	0.70	5.5	119	1185	o.r.
5900	1RN8 633-4PA90-0C.0	1490	360	96.8	97.3	97.5	97.4	0.87	0.89	0.88	0.85	37813	2.15	0.50	5.2	151	740	o.r.
6400	1RN8 634-4PA90-0C.0	1491	390	96.8	97.3	97.5	97.3	0.88	0.89	0.88	0.85	40990	2.25	0.50	5.5	166	860	o.r.
7200	1RN8 637-4PA90-0C.0	1491	430	97.0	97.4	97.6	97.5	0.88	0.90	0.89	0.85	46113	2.35	0.60	5.6	182	860	o.r.
8200	1RN8 638-4PA90-0C.0	1491	495	97.1	97.5	97.7	97.5	0.88	0.89	0.88	0.85	52518	2.35	0.60	5.6	198	900	o.r.
8600	1RN8 712-4PA90-0C.0	1491	520	97.0	97.4	97.6	97.4	0.88	0.89	0.88	0.85	55080	2.35	0.50	5.6	259	870	o.r.
9300	1RN8 713-4PA90-0C.0	1492	560	97.1	97.5	97.7	97.5	0.89	0.90	0.89	0.86	59523	2.40	0.50	5.7	284	960	o.r.
10000	1RN8 714-4PA90-0C.0	1492	600	97.2	97.6	97.7	97.6	0.89	0.90	0.89	0.85	64003	2.55	0.55	6.0	312	1080	o.r.
11500	1RN8 717-4PA90-0C.0	1492	690	97.3	97.7	97.8	97.6	0.90	0.90	0.89	0.85	73604	2.60	0.55	6.0	346	1100	o.r.
11900	1RN8 718-4PA90-0C.0	1493	710	97.4	97.7	97.8	97.6	0.89	0.90	0.89	0.85	76113	2.60	0.55	6.0	364	1240	o.r.
6-pole: $n_{sync} = 1000$ rpm at 50 Hz																		
930	1RN7 452-6PA90-0A.0	990	62	94.1	95.1	95.5	95.6	0.83	0.83	0.79	0.68	8971	2.35	0.85	5.5	20	325	o.r.
1050	1RN7 453-6PA90-0A.0	991	70	94.4	95.2	95.6	95.5	0.83	0.83	0.76	0.64	10118	2.50	0.85	5.5	22	410	o.r.
1100	1RN7 453-6PA90-0C.0	990	71	94.3	95.2	95.7	95.8	0.84	0.85	0.81	0.73	10610	2.35	0.70	5.5	30	510	o.r.
1160	1RN7 454-6PA90-0A.0	991	77	94.6	95.4	95.8	95.7	0.84	0.83	0.77	0.66	11178	2.50	0.85	5.5	24	465	o.r.
1200	1RN7 454-6PA90-0C.0	990	78	94.5	95.4	95.9	96.0	0.85	0.85	0.82	0.74	11575	2.35	0.70	5.4	33	600	o.r.
1290	1RN7 457-6PA90-0A.0	991	84	94.8	95.6	96.0	96.0	0.84	0.84	0.80	0.70	12430	2.50	0.85	5.5	28	535	o.r.
1300	1RN7 457-6PA90-0C.0	990	83	94.8	95.6	96.1	96.2	0.86	0.86	0.83	0.76	12539	2.40	0.70	5.5	36	745	o.r.

Innomotics HV M - 1RN. IC86W 11000 V / 50 Hz B3 (IM 1001)																		
Rated power IEC	Article No.	Speed	Rated current I_R	Efficiency				Power factor				Torque T_R	Breakdown torque T_B/ T_R	Locked rotor torque T_{LR}/ T_R	Locked rotor current I_{LR}/ I_R	Inertia		
				5/4 load	4/4 load	3/4 load	2/4 load	5/4 load	4/4 load	3/4 load	2/4 load					motor	external	Startup max T/TR
kW		rpm	A	%	%	%	%	cos φ	cos φ	cos φ	cos φ	Nm	[-]	[-]	[-]	kgm ²	kgm ²	[-]
1400	1RN7 458-6PA90-0A.0	991	89	95.0	95.8	96.2	96.2	0.85	0.86	0.81	0.72	13490	2.50	0.90	5.7	31	610	o.r.
1420	1RN7 458-6PA90-0C.0	991	89	95.0	95.8	96.2	96.3	0.86	0.87	0.84	0.77	13683	2.45	0.70	5.5	41	805	o.r.
1650	1RN7 502-6PA90-0C.0	992	106	95.4	96.2	96.6	96.6	0.84	0.85	0.83	0.76	15883	2.25	0.70	4.6	54	930	o.r.
1550	1RN7 502-6PA90-0A.0	991	99	95.1	95.9	96.4	96.5	0.85	0.86	0.83	0.75	14936	2.20	0.90	4.7	42	630	o.r.
1850	1RN7 503-6PA90-0C.0	992	118	95.6	96.3	96.7	96.7	0.84	0.86	0.83	0.76	17809	2.30	0.75	4.7	60	1100	o.r.
1700	1RN7 503-6PA90-0A.0	991	108	95.2	96.0	96.5	96.7	0.85	0.86	0.84	0.77	16381	2.25	0.90	4.8	46	730	o.r.
1850	1RN7 504-6PA90-0A.0	991	118	95.5	96.2	96.6	96.7	0.85	0.86	0.83	0.75	17827	2.35	0.95	5.0	51	850	o.r.
2000	1RN7 504-6PA90-0C.0	992	126	95.8	96.4	96.8	96.8	0.85	0.86	0.83	0.76	19253	2.35	0.70	4.8	66	1300	o.r.
2240	1RN7 507-6PA90-0C.0	993	144	96.0	96.6	96.9	96.9	0.84	0.85	0.82	0.74	21541	2.40	0.70	4.8	74	1550	o.r.
2000	1RN7 507-6PA90-0A.0	992	126	95.7	96.4	96.7	96.8	0.86	0.86	0.83	0.74	19253	2.50	1.05	5.3	58	1000	o.r.
2240	1RN7 508-6PA90-0A.0	992	144	95.9	96.5	96.8	96.7	0.85	0.85	0.80	0.69	21563	2.70	1.10	5.7	63	1180	o.r.
2500	1RN7 561-6PA90-0C.0	992	160	95.7	96.3	96.6	96.5	0.84	0.85	0.84	0.78	24066	2.30	0.60	5.1	96	1060	o.r.
2900	1RN7 562-6PA90-0C.0	993	188	96.0	96.6	96.7	96.6	0.84	0.84	0.82	0.75	27888	2.40	0.65	5.3	105	1370	o.r.
3150	1RN7 563-6PA90-0C.0	993	200	96.1	96.6	96.8	96.7	0.84	0.85	0.83	0.75	30292	2.45	0.65	5.3	112	1280	o.r.
3550	1RN7 567-6PA90-0C.0	994	225	96.4	96.8	96.9	96.8	0.85	0.86	0.83	0.76	34105	2.60	0.70	5.7	134	1630	o.r.
3850	1RN7 568-6PA90-0C.0	994	240	96.5	97.0	97.1	96.9	0.86	0.86	0.84	0.78	36987	2.60	0.70	5.8	150	1890	o.r.
4450	1RN8 632-6PA90-0C.0	992	280	96.3	96.8	97.1	96.9	0.85	0.86	0.83	0.75	42837	2.30	0.60	5.2	193	2370	o.r.
4650	1RN8 633-6PA90-0C.0	992	295	96.4	96.9	97.2	96.9	0.85	0.86	0.83	0.75	44762	2.30	0.55	5.3	209	2660	o.r.
5200	1RN8 634-6PA90-0C.0	992	325	96.5	97.0	97.3	97.1	0.85	0.87	0.84	0.78	50057	2.20	0.55	5.1	227	2800	o.r.
5600	1RN8 637-6PA90-0C.0	992	350	96.5	97.0	97.3	97.2	0.85	0.87	0.85	0.78	53907	2.20	0.56	5.2	247	3110	o.r.
6100	1RN8 638-6PA90-0C.0	992	380	96.6	97.1	97.4	97.2	0.86	0.87	0.85	0.78	58720	2.25	0.55	5.2	265	3300	o.r.
6600	1RN8 712-6PA90-0C.0	993	410	96.8	97.3	97.5	97.4	0.85	0.87	0.85	0.79	63470	2.20	0.55	5.2	331	2710	o.r.
7250	1RN8 713-6PA90-0C.0	994	450	97.0	97.4	97.6	97.5	0.86	0.87	0.85	0.79	69650	2.35	0.60	5.5	374	3180	o.r.
8250	1RN8 714-6PA90-0C.0	994	500	97.1	97.5	97.7	97.5	0.87	0.88	0.85	0.79	79257	2.40	0.60	5.5	424	3530	o.r.
9350	1RN8 717-6PA90-0C.0	994	570	97.1	97.6	97.8	97.6	0.87	0.88	0.86	0.80	89825	2.35	0.55	5.5	478	3930	o.r.
10400	1RN8 718-6PA90-0C.0	995	640	97.3	97.6	97.8	97.6	0.86	0.87	0.84	0.76	99812	2.45	0.55	5.5	522	4410	o.r.
8-pole: $n_{sync} = 750$ rpm at 50 Hz																		
580	1RN7 451-8PA90-0A.0	743	43	93.5	94.4	94.5	94.0	0.78	0.75	0.66	0.49	7454	2.50	0.80	5.5	23	500	o.r.
620	1RN7 451-8PA90-0C.0	743	44	93.5	94.5	94.8	94.4	0.81	0.79	0.71	0.56	7968	2.70	0.75	5.5	30	560	o.r.
680	1RN7 452-8PA90-0A.0	743	48	93.5	94.6	94.9	94.7	0.80	0.78	0.71	0.56	8740	2.50	0.80	5.5	25	510	o.r.
700	1RN7 452-8PA90-0C.0	743	48	93.6	94.7	95.1	94.9	0.82	0.80	0.74	0.60	8997	2.60	0.70	5.5	32	630	o.r.
800	1RN7 453-8PA90-0A.0	743	57	94.0	94.9	95.2	94.9	0.79	0.78	0.69	0.53	10282	2.50	0.85	5.5	28	730	o.r.
800	1RN7 453-8PA90-0C.0	743	55	94.2	95.1	95.4	95.1	0.81	0.80	0.72	0.57	10282	2.70	0.75	5.5	36	1000	o.r.
860	1RN7 454-8PA90-0A.0	743	60	94.2	95.1	95.4	95.2	0.81	0.79	0.72	0.57	11053	2.45	0.85	5.5	31	800	o.r.
880	1RN7 454-8PA90-0C.0	743	60	94.3	95.2	95.5	95.4	0.82	0.81	0.75	0.61	11310	2.70	0.75	5.5	40	1000	o.r.
940	1RN7 457-8PA90-0A.0	743	65	94.3	95.2	95.6	95.5	0.82	0.80	0.74	0.61	12081	2.40	0.85	5.5	35	920	o.r.
950	1RN7 457-8PA90-0C.0	743	64	94.4	95.3	95.7	95.5	0.83	0.82	0.76	0.63	12210	2.70	0.75	5.5	45	1200	o.r.

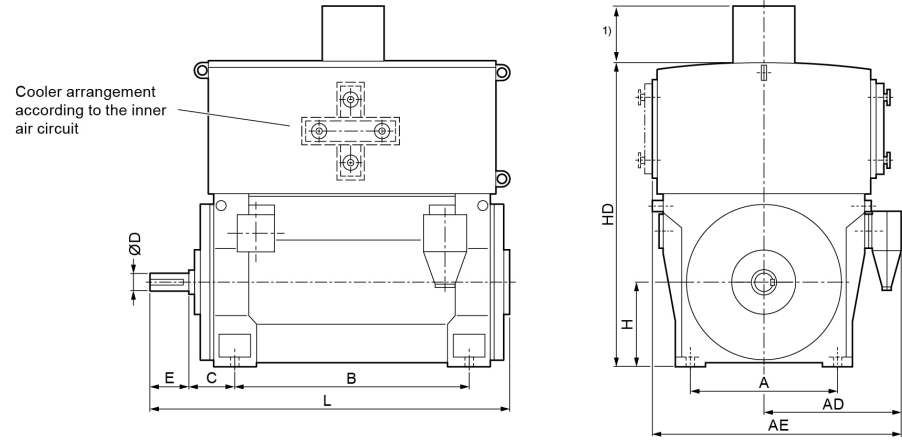
Innomotics HV M - 1RN. IC86W 11000 V / 50 Hz B3 (IM 1001)																			
Rated power IEC	Article No.	Speed	Rated current I_R	Efficiency				Power factor				Torque T_R	Breakdown torque T_B/ T_R	Locked torque T_{LR}/ T_R	Locked rotor current I_{LR}/ I_R	Inertia			
				5/4 load	4/4 load	3/4 load	2/4 load	5/4 load	4/4 load	3/4 load	2/4 load					motor	external	Startup max T/TR	
kW		rpm	A	%	%	%	%	$\cos \varphi$	$\cos \varphi$	$\cos \varphi$	$\cos \varphi$	Nm	[-]	[-]	[-]	kgm ²	kgm ²	[-]	
1020	1RN7 458-8PA90-0A.0	743	69	94.4	95.4	95.7	95.6	0.82	0.81	0.75	0.61	13109	2.40	0.85	5.5	39	1050	o.r.	
1030	1RN7 458-8PA90-0C.0	743	69	94.6	95.5	95.8	95.6	0.83	0.82	0.76	0.64	13238	2.75	0.80	5.6	50	1350	o.r.	
1120	1RN7 502-8PA90-0A.0	744	77	95.1	95.7	96.2	96.2	0.81	0.80	0.78	0.69	14375	2.25	0.80	4.5	46	1370	o.r.	
1200	1RN7 502-8PA90-0C.0	743	81	95.0	95.7	96.2	96.2	0.82	0.81	0.78	0.70	15423	2.25	0.60	4.2	59	2010	o.r.	
1220	1RN7 503-8PA90-0A.0	743	81	95.1	95.8	96.3	96.4	0.82	0.83	0.79	0.71	15680	2.15	0.75	4.4	51	1440	o.r.	
1360	1RN7 503-8PA90-0C.0	743	90	95.0	95.8	96.3	96.4	0.82	0.83	0.80	0.72	17479	2.15	0.55	4.0	65	1910	o.r.	
1480	1RN7 504-8PA90-0A.0	743	99	95.2	96.0	96.4	96.5	0.82	0.82	0.79	0.70	19021	2.15	0.80	4.3	56	1760	o.r.	
1500	1RN7 504-8PA90-0C.0	743	99	95.2	96.0	96.5	96.6	0.82	0.83	0.80	0.73	19279	2.15	0.55	4.1	72	2190	o.r.	
1640	1RN7 507-8PA90-0A.0	743	108	95.4	96.1	96.5	96.6	0.82	0.83	0.79	0.71	21078	2.15	0.80	4.4	63	2030	o.r.	
1700	1RN7 507-8PA90-0C.0	743	110	95.3	96.1	96.6	96.7	0.82	0.84	0.81	0.73	21849	2.15	0.60	4.1	80	2360	o.r.	
1780	1RN7 508-8PA90-0A.0	744	118	95.6	96.2	96.5	96.5	0.82	0.82	0.77	0.68	22846	2.30	0.90	4.7	69	2270	o.r.	
1820	1RN7 508-8PA90-0C.0	743	120	95.6	96.2	96.6	96.6	0.83	0.83	0.80	0.71	23391	2.35	0.65	4.4	88	2710	o.r.	
2000	1RN7 563-8PA90-0C.0	744	134	95.5	96.0	96.5	96.3	0.82	0.82	0.80	0.73	25670	2.10	0.60	4.6	124	2685	o.r.	
2240	1RN7 564-8PA90-0C.0	744	150	95.6	96.1	96.5	96.3	0.82	0.82	0.80	0.72	28751	2.20	0.60	4.8	137	2725	o.r.	
2500	1RN7 567-8PA90-0C.0	744	164	95.8	96.3	96.8	96.6	0.82	0.83	0.81	0.75	32088	2.05	0.60	4.5	150	3865	o.r.	
2800	1RN7 568-8PA90-0C.0	744	184	95.9	96.4	96.9	96.7	0.82	0.83	0.81	0.75	35938	2.05	0.55	4.5	165	5105	o.r.	
3100	1RN8 633-8PA90-0C.0	743	200	95.4	96.1	96.3	96.1	0.84	0.85	0.81	0.74	39842	2.00	0.45	4.5	216	2690	o.r.	
3500	1RN8 634-8PA90-0C.0	744	225	95.6	96.2	96.4	96.1	0.85	0.85	0.81	0.73	44923	2.10	0.50	4.5	251	2830	o.r.	
4000	1RN8 637-8PA90-0C.0	744	255	96.0	96.5	96.5	96.2	0.85	0.85	0.81	0.72	51340	2.30	0.50	5.0	292	5000	o.r.	
4250	1RN8 638-8PA90-0C.0	744	270	96.2	96.6	96.7	96.3	0.86	0.86	0.81	0.72	54549	2.40	0.55	5.2	326	6200	o.r.	
4300	1RN8 712-8PA90-0C.0	746	275	96.2	96.6	96.6	96.2	0.86	0.85	0.80	0.69	55043	2.60	0.60	5.5	422	2890	o.r.	
4850	1RN8 713-8PA90-0C.0	746	310	96.4	96.7	96.7	96.2	0.86	0.85	0.79	0.68	62083	2.55	0.60	5.4	471	3510	o.r.	
5550	1RN8 714-8PA90-0C.0	746	355	96.5	96.8	96.8	96.3	0.86	0.85	0.79	0.68	71044	2.60	0.60	5.5	538	3900	o.r.	
6500	1RN8 717-8PA90-0C.0	746	415	96.7	97.0	96.9	96.5	0.86	0.85	0.79	0.69	83204	2.60	0.50	5.5	615	5400	o.r.	
6700	1RN8 718-8PA90-0C.0	746	430	96.8	97.1	96.9	96.4	0.85	0.84	0.78	0.67	85764	2.60	0.50	5.4	674	6570	o.r.	



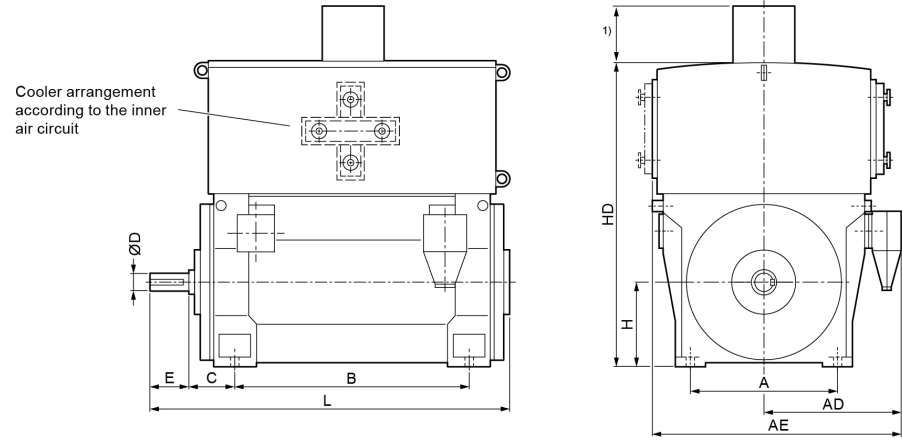
Motor type	Weight	Dimensions										
		A	AD	AE	B	C	D	E	H	HD	L	ML
	kg	mm	mm	mm	mm	mm	mm	mm	mm	mm	mm	mm
Innomotics HV M - 1RN. IC86W 11000 V / 50 Hz B3 (IM 1001) - Dimension drawings												
2-pole												
1RN7 452-2PA90-0AA0	4300	850	1140	1760	1180	250	95	130	450	2350	1790	o.r.
1RN7 452-2PA90-0AC0	4200	850	1140	1760	1180	475	95	130	450	2350	2010	o.r.
1RN7 453-2PA90-0AA0	4400	850	1140	1760	1180	250	95	130	450	2350	1790	o.r.
1RN7 453-2PA90-0AC0	4300	850	1140	1760	1180	475	95	130	450	2350	2010	o.r.
1RN7 453-2PA90-0CA0	4550	850	1140	1760	1180	250	95	130	450	2350	1790	o.r.
1RN7 453-2PA90-0CC0	4450	850	1140	1760	1180	475	95	130	450	2350	2010	o.r.
1RN7 454-2PA90-0AA0	4500	850	1140	1760	1180	250	95	130	450	2350	1790	o.r.
1RN7 454-2PA90-0AC0	4450	850	1140	1760	1180	475	95	130	450	2350	2010	o.r.
1RN7 454-2PA90-0CA0	4650	850	1140	1760	1180	250	95	130	450	2350	1790	o.r.
1RN7 454-2PA90-0CC0	4550	850	1140	1760	1180	475	95	130	450	2350	2010	o.r.
1RN7 457-2PA90-0AA0	4900	850	1140	1760	1400	250	95	130	450	2350	2000	o.r.
1RN7 457-2PA90-0AC0	4800	850	1140	1760	1400	475	95	130	450	2350	2220	o.r.
1RN7 457-2PA90-0CA0	5050	850	1140	1760	1400	250	95	130	450	2350	2000	o.r.
1RN7 457-2PA90-0CC0	4950	850	1140	1760	1400	475	95	130	450	2350	2220	o.r.
1RN7 458-2PA90-0AA0	5100	850	1140	1760	1400	250	95	130	450	2350	2000	o.r.
1RN7 458-2PA90-0AC0	5000	850	1140	1760	1400	475	95	130	450	2350	2220	o.r.
1RN7 458-2PA90-0CA0	5250	850	1140	1760	1400	250	95	130	450	2350	2000	o.r.
1RN7 458-2PA90-0CC0	5150	850	1140	1760	1400	475	95	130	450	2350	2220	o.r.
1RN7 503-2PA90-0CA0	6000	950	1220	1920	1320	250	110	165	500	2640	2000	o.r.
1RN7 503-2PA90-0CC0	5950	950	1220	1920	1320	530	120	165	500	2640	2280	o.r.
1RN7 503-2PA90-0AA0	5850	950	1220	1920	1320	250	110	165	500	2640	2000	o.r.
1RN7 503-2PA90-0AC0	5800	950	1220	1920	1320	530	120	165	500	2640	2280	o.r.



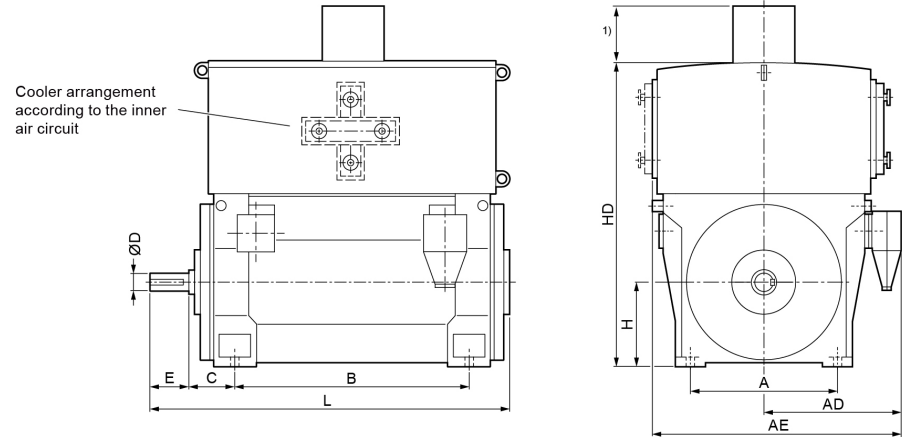
Motor type	Weight	Dimensions											
		A	AD	AE	B	C	D	E	H	HD	L	ML	
	kg	mm	mm	mm	mm	mm	mm	mm	mm	mm	mm	mm	mm
Innomotics HV M - 1RN. IC86W 11000 V / 50 Hz B3 (IM 1001) - Dimension drawings													
1RN7 504-2PA90-0CA0	6100	950	1220	1920	1320	250	110	165	500	2640	2000	o.r.	
1RN7 504-2PA90-0CC0	6050	950	1220	1920	1320	530	120	165	500	2640	2280	o.r.	
1RN7 504-2PA90-0AA0	5950	950	1220	1920	1320	250	110	165	500	2640	2000	o.r.	
1RN7 504-2PA90-0AC0	5900	950	1220	1920	1320	530	120	165	500	2640	2280	o.r.	
1RN7 507-2PA90-0CA0	6750	950	1220	1920	1500	250	110	165	500	2640	2210	o.r.	
1RN7 507-2PA90-0CC0	6700	950	1220	1920	1500	530	120	165	500	2640	2490	o.r.	
1RN7 507-2PA90-0AA0	6600	950	1220	1920	1500	250	110	165	500	2640	2210	o.r.	
1RN7 507-2PA90-0AC0	6500	950	1220	1920	1500	530	120	165	500	2640	2490	o.r.	
1RN7 508-2PA90-0CA0	7100	950	1220	1920	1500	250	110	165	500	2640	2210	o.r.	
1RN7 508-2PA90-0CC0	7050	950	1220	1920	1500	530	120	165	500	2640	2490	o.r.	
1RN7 508-2PA90-0AA0	6900	950	1220	1920	1500	250	110	165	500	2640	2210	o.r.	
1RN7 508-2PA90-0AC0	6850	950	1220	1920	1500	530	120	165	500	2640	2490	o.r.	
1RN7 562-2PA90-0CC0	7950	1060	1290	2060	1400	600	150	200	560	2830	2530	o.r.	
1RN7 563-2PA90-0CC0	8200	1060	1290	2060	1400	600	150	200	560	2830	2530	o.r.	
1RN7 564-2PA90-0CC0	8450	1060	1290	2060	1400	600	150	200	560	2830	2530	o.r.	
1RN7 567-2PA90-0CC0	9250	1060	1290	2060	1600	600	150	200	560	2830	2760	o.r.	
1RN7 568-2PA90-0CC0	9800	1060	1290	2060	1600	600	150	200	560	2830	2760	o.r.	
1RN8 632-2PA90-0CJ0	9450	1320	1520	2520	1600	560	160	240	630	3090	2760	o.r.	
1RN8 633-2PA90-0CJ0	10000	1320	1520	2520	1600	560	160	240	630	3090	2760	o.r.	
1RN8 634-2PA90-0CJ0	10400	1320	1520	2520	1600	560	160	240	630	3090	2760	o.r.	
1RN8 637-2PA90-0CJ0	11300	1320	1520	2520	1800	560	160	240	630	3090	2960	o.r.	
1RN8 638-2PA90-0CJ0	11900	1320	1520	2520	1800	560	160	240	630	3090	2960	o.r.	
1RN8 712-2PA90-0CJ0	13450	1500	1620	2720	2000	560	180	240	710	3360	3150	o.r.	



Motor type	Weight	Dimensions										
		A	AD	AE	B	C	D	E	H	HD	L	ML
	kg	mm	mm	mm	mm	mm	mm	mm	mm	mm	mm	mm
Innomotics HV M - 1RN. IC86W 11000 V / 50 Hz B3 (IM 1001) - Dimension drawings												
1RN8 713-2PA90-0CJ0	13950	1500	1620	2720	2000	560	180	240	710	3360	3150	o.r.
1RN8 714-2PA90-0CJ0	14600	1500	1620	2720	2000	560	180	240	710	3360	3150	o.r.
1RN8 716-2PA90-0CJ0	15600	1500	1620	2720	2240	560	180	240	710	3360	3390	o.r.
1RN8 717-2PA90-0CJ0	16400	1500	1620	2720	2240	560	180	240	710	3360	3390	o.r.
1RN8 718-2PA90-0CJ0	17700	1500	1620	2720	2240	560	180	240	710	3360	3390	o.r.
4-pole												
1RN7 453-4PA90-0CA0	4550	850	1140	1760	1180	250	130	200	450	1940	2290	o.r.
1RN7 453-4PA90-0CC0	4600	850	1140	1760	1180	500	130	200	450	1940	2540	o.r.
1RN7 453-4PA90-0AA0	4450	850	1140	1760	1180	250	130	200	450	1940	2290	o.r.
1RN7 453-4PA90-0AC0	4450	850	1140	1760	1180	500	130	200	450	1940	2540	o.r.
1RN7 454-4PA90-0AA0	4600	850	1140	1760	1180	250	130	200	450	1940	2290	o.r.
1RN7 454-4PA90-0AC0	4600	850	1140	1760	1180	500	130	200	450	1940	2540	o.r.
1RN7 454-4PA90-0CA0	4750	850	1140	1760	1180	250	130	200	450	1940	2290	o.r.
1RN7 454-4PA90-0CC0	4750	850	1140	1760	1180	500	130	200	450	1940	2540	o.r.
1RN7 457-4PA90-0AA0	5150	850	1140	1760	1400	250	130	200	450	1940	2500	o.r.
1RN7 457-4PA90-0AC0	5200	850	1140	1760	1400	500	130	200	450	1940	2750	o.r.
1RN7 457-4PA90-0CA0	5350	850	1140	1760	1400	250	130	200	450	1940	2500	o.r.
1RN7 457-4PA90-0CC0	5350	850	1140	1760	1400	500	130	200	450	1940	2750	o.r.
1RN7 458-4PA90-0AA0	5350	850	1140	1760	1400	250	130	200	450	1940	2500	o.r.
1RN7 458-4PA90-0AC0	5400	850	1140	1760	1400	500	130	200	450	1940	2750	o.r.
1RN7 458-4PA90-0CA0	5550	850	1140	1760	1400	250	130	200	450	1940	2500	o.r.
1RN7 458-4PA90-0CC0	5600	850	1140	1760	1400	500	130	200	450	1940	2750	o.r.
1RN7 503-4PA90-0AA0	6150	950	1220	1920	1320	315	160	240	500	2640	2140	o.r.

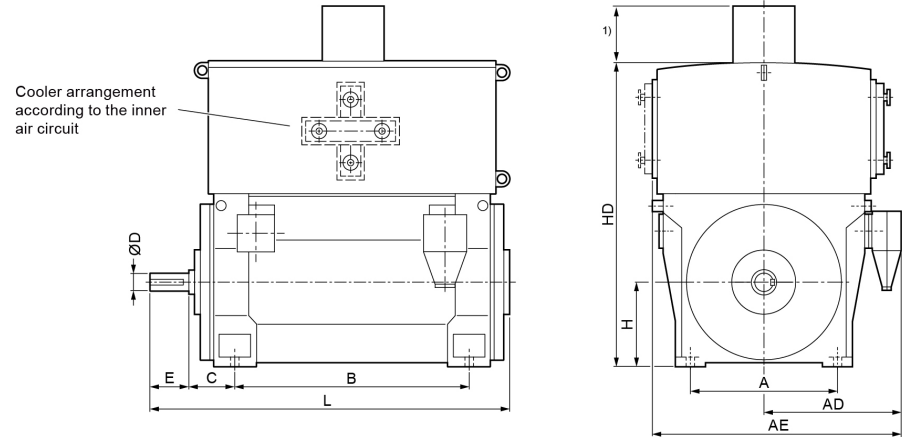


Motor type	Weight	Dimensions										
		A	AD	AE	B	C	D	E	H	HD	L	ML
	kg	mm	mm	mm	mm	mm	mm	mm	mm	mm	mm	mm
Innomotics HV M - 1RN. IC86W 11000 V / 50 Hz B3 (IM 1001) - Dimension drawings												
1RN7 503-4PA90-0AC0	6250	950	1220	1920	1320	560	170	240	500	2640	2380	o.r.
1RN7 503-4PA90-0CA0	6300	950	1220	1920	1320	315	160	240	500	2640	2140	o.r.
1RN7 503-4PA90-0CC0	6350	950	1220	1920	1320	560	170	240	500	2640	2380	o.r.
1RN7 504-4PA90-0AA0	6450	950	1220	1920	1320	315	160	240	500	2640	2140	o.r.
1RN7 504-4PA90-0AC0	6500	950	1220	1920	1320	560	170	240	500	2640	2380	o.r.
1RN7 504-4PA90-0CA0	6550	950	1220	1920	1320	315	160	240	500	2640	2140	o.r.
1RN7 504-4PA90-0CC0	6650	950	1220	1920	1320	560	170	240	500	2640	2380	o.r.
1RN7 507-4PA90-0AA0	7050	950	1220	1920	1500	315	160	240	500	2640	2350	o.r.
1RN7 507-4PA90-0AC0	7150	950	1220	1920	1500	560	170	240	500	2640	2590	o.r.
1RN7 507-4PA90-0CA0	7250	950	1220	1920	1500	315	160	240	500	2640	2350	o.r.
1RN7 507-4PA90-0CC0	7300	950	1220	1920	1500	560	170	240	500	2640	2590	o.r.
1RN7 508-4PA90-0AA0	7350	950	1220	1920	1500	315	160	240	500	2640	2350	o.r.
1RN7 508-4PA90-0AC0	7450	950	1220	1920	1500	560	170	240	500	2640	2590	o.r.
1RN7 508-4PA90-0CA0	7550	950	1220	1920	1500	315	160	240	500	2640	2350	o.r.
1RN7 508-4PA90-0CC0	7650	950	1220	1920	1500	560	170	240	500	2640	2590	o.r.
1RN7 562-4PA90-0CA0	8050	1060	1290	2060	1400	335	190	280	560	2830	2340	o.r.
1RN7 562-4PA90-0CC0	8100	1060	1290	2060	1400	600	190	280	560	2830	2610	o.r.
1RN7 563-4PA90-0CA0	8250	1060	1290	2060	1400	335	190	280	560	2830	2340	o.r.
1RN7 563-4PA90-0CC0	8350	1060	1290	2060	1400	600	190	280	560	2830	2610	o.r.
1RN7 564-4PA90-0CA0	8700	1060	1290	2060	1400	335	190	280	560	2830	2340	o.r.
1RN7 564-4PA90-0CC0	8800	1060	1290	2060	1400	600	190	280	560	2830	2610	o.r.
1RN7 566-4PA90-0CA0	9550	1060	1290	2060	1600	335	190	280	560	2830	2570	o.r.
1RN7 566-4PA90-0CC0	9600	1060	1290	2060	1600	600	190	280	560	2830	2840	o.r.

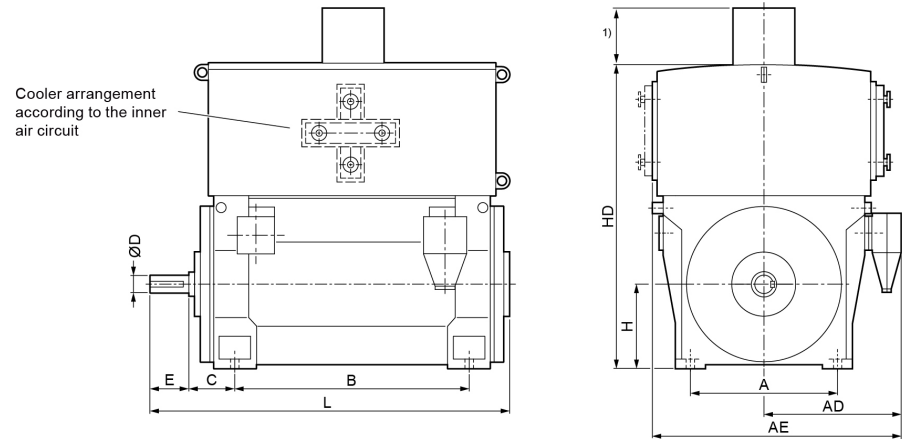


Motor type	Weight	Dimensions										
		A	AD	AE	B	C	D	E	H	HD	L	ML
	kg	mm	mm	mm	mm	mm	mm	mm	mm	mm	mm	mm
Innomotics HV M - 1RN. IC86W 11000 V / 50 Hz B3 (IM 1001) - Dimension drawings												
1RN7 567-4PA90-0CA0	9950	1060	1290	2060	1600	335	190	280	560	2830	2570	o.r.
1RN7 567-4PA90-0CC0	10050	1060	1290	2060	1600	600	190	280	560	2830	2840	o.r.
1RN7 568-4PA90-0CA0	10400	1060	1290	2060	1600	335	190	280	560	2830	2570	o.r.
1RN7 568-4PA90-0CC0	10500	1060	1290	2060	1600	600	190	280	560	2830	2840	o.r.
1RN8 633-4PA90-0CG0	10700	1320	1520	2520	1600	375	200	280	630	3090	2620	o.r.
1RN8 633-4PA90-0CJ0	10800	1320	1520	2520	1600	630	200	280	630	3090	2870	o.r.
1RN8 634-4PA90-0CG0	11100	1320	1520	2520	1600	375	200	280	630	3090	2620	o.r.
1RN8 634-4PA90-0CJ0	11200	1320	1520	2520	1600	630	200	280	630	3090	2870	o.r.
1RN8 637-4PA90-0CG0	12000	1320	1520	2520	1800	375	200	280	630	3090	2820	o.r.
1RN8 637-4PA90-0CJ0	12100	1320	1520	2520	1800	630	200	280	630	3090	3070	o.r.
1RN8 638-4PA90-0CG0	12600	1320	1520	2520	1800	375	200	280	630	3090	2820	o.r.
1RN8 638-4PA90-0CJ0	12700	1320	1520	2520	1800	630	200	280	630	3090	3070	o.r.
1RN8 712-4PA90-0CG0	14400	1500	1620	2720	2000	375	220	280	710	3360	3010	o.r.
1RN8 712-4PA90-0CJ0	14550	1500	1620	2720	2000	630	220	280	710	3360	3260	o.r.
1RN8 713-4PA90-0CG0	15150	1500	1620	2720	2000	375	220	280	710	3360	3010	o.r.
1RN8 713-4PA90-0CJ0	15250	1500	1620	2720	2000	630	220	280	710	3360	3260	o.r.
1RN8 714-4PA90-0CG0	15800	1500	1620	2720	2000	375	220	280	710	3360	3010	o.r.
1RN8 714-4PA90-0CJ0	15950	1500	1620	2720	2000	630	220	280	710	3360	3260	o.r.
1RN8 717-4PA90-0CG0	17050	1500	1620	2720	2240	375	220	280	710	3360	3250	o.r.
1RN8 717-4PA90-0CJ0	17200	1500	1620	2720	2240	630	220	280	710	3360	3500	o.r.
1RN8 718-4PA90-0CG0	17550	1500	1620	2720	2240	375	220	280	710	3360	3250	o.r.
1RN8 718-4PA90-0CJ0	17700	1500	1620	2720	2240	630	220	280	710	3360	3500	o.r.

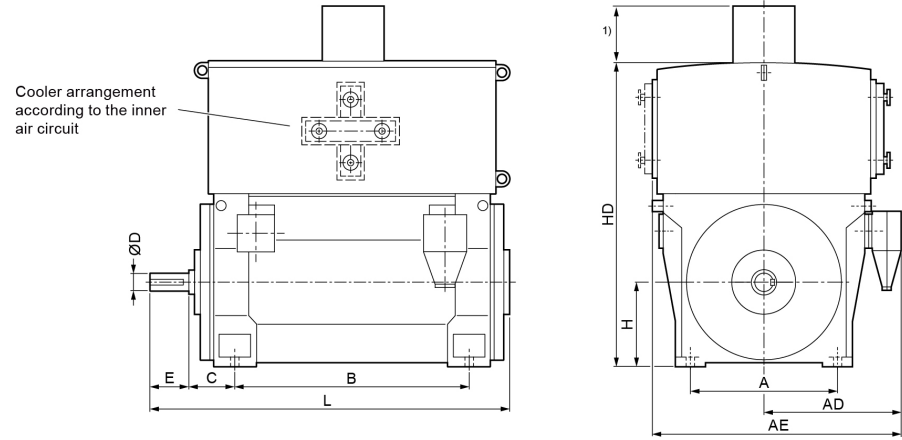
6-pole



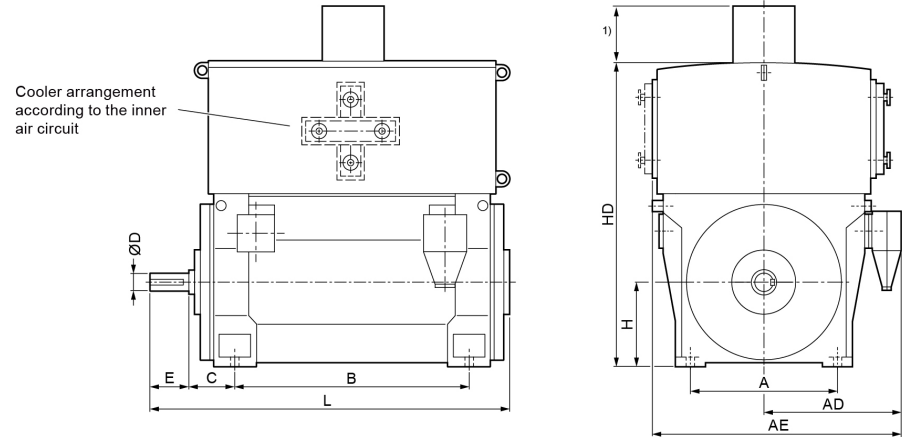
Motor type	Weight	Dimensions										
		A	AD	AE	B	C	D	E	H	HD	L	ML
	kg	mm	mm	mm	mm	mm	mm	mm	mm	mm	mm	mm
Innomotics HV M - 1RN. IC86W 11000 V / 50 Hz B3 (IM 1001) - Dimension drawings												
1RN7 452-6PA90-0AA0	4300	850	1140	1760	1180	250	130	200	450	1940	2290	o.r.
1RN7 452-6PA90-0AC0	4300	850	1140	1760	1180	500	130	200	450	1940	2540	o.r.
1RN7 453-6PA90-0AA0	4450	850	1140	1760	1180	250	130	200	450	1940	2290	o.r.
1RN7 453-6PA90-0AC0	4500	850	1140	1760	1180	500	130	200	450	1940	2540	o.r.
1RN7 453-6PA90-0CA0	4600	850	1140	1760	1180	250	130	200	450	1940	2290	o.r.
1RN7 453-6PA90-0CC0	4650	850	1140	1760	1180	500	130	200	450	1940	2540	o.r.
1RN7 454-6PA90-0AA0	4600	850	1140	1760	1180	250	130	200	450	1940	2290	o.r.
1RN7 454-6PA90-0AC0	4650	850	1140	1760	1180	500	130	200	450	1940	2540	o.r.
1RN7 454-6PA90-0CA0	4800	850	1140	1760	1180	250	130	200	450	1940	2290	o.r.
1RN7 454-6PA90-0CC0	4800	850	1140	1760	1180	500	130	200	450	1940	2540	o.r.
1RN7 457-6PA90-0AA0	5100	850	1140	1760	1400	250	130	200	450	1940	2500	o.r.
1RN7 457-6PA90-0AC0	5100	850	1140	1760	1400	500	130	200	450	1940	2750	o.r.
1RN7 457-6PA90-0CA0	5250	850	1140	1760	1400	250	130	200	450	1940	2500	o.r.
1RN7 457-6PA90-0CC0	5300	850	1140	1760	1400	500	130	200	450	1940	2750	o.r.
1RN7 458-6PA90-0AA0	5350	850	1140	1760	1400	250	130	200	450	1940	2500	o.r.
1RN7 458-6PA90-0AC0	5400	850	1140	1760	1400	500	130	200	450	1940	2750	o.r.
1RN7 458-6PA90-0CA0	5550	850	1140	1760	1400	250	130	200	450	1940	2500	o.r.
1RN7 458-6PA90-0CC0	5600	850	1140	1760	1400	500	130	200	450	1940	2750	o.r.
1RN7 502-6PA90-0CA0	6200	950	1220	1920	1320	315	160	240	500	2230	2520	o.r.
1RN7 502-6PA90-0CC0	6250	950	1220	1920	1320	560	170	240	500	2230	2760	o.r.
1RN7 502-6PA90-0AA0	6000	950	1220	1920	1320	315	160	240	500	2230	2520	o.r.
1RN7 502-6PA90-0AC0	6050	950	1220	1920	1320	560	170	240	500	2230	2760	o.r.
1RN7 503-6PA90-0CA0	6450	950	1220	1920	1320	315	160	240	500	2230	2520	o.r.



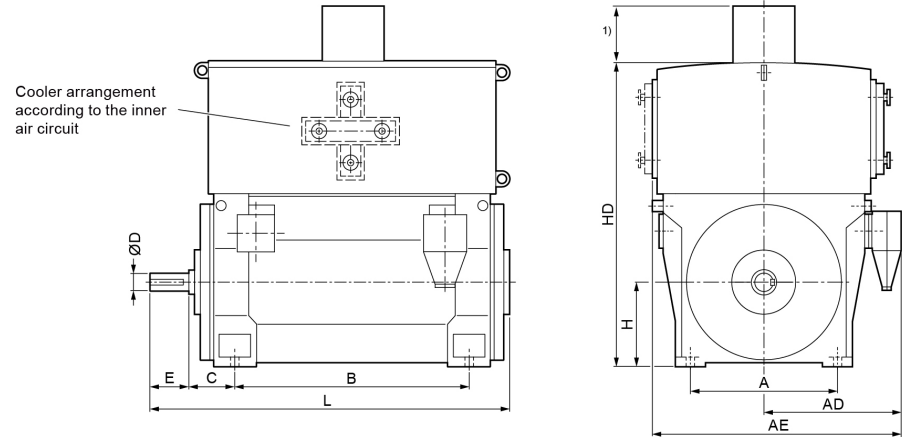
Motor type	Weight	Dimensions										
		A	AD	AE	B	C	D	E	H	HD	L	ML
	kg	mm	mm	mm	mm	mm	mm	mm	mm	mm	mm	mm
Innomotics HV M - 1RN. IC86W 11000 V / 50 Hz B3 (IM 1001) - Dimension drawings												
1RN7 503-6PA90-0CC0	6500	950	1220	1920	1320	560	170	240	500	2230	2760	o.r.
1RN7 503-6PA90-0AA0	6200	950	1220	1920	1320	315	160	240	500	2230	2520	o.r.
1RN7 503-6PA90-0AC0	6300	950	1220	1920	1320	560	170	240	500	2230	2760	o.r.
1RN7 504-6PA90-0AA0	6450	950	1220	1920	1320	315	160	240	500	2230	2520	o.r.
1RN7 504-6PA90-0AC0	6550	950	1220	1920	1320	560	170	240	500	2230	2760	o.r.
1RN7 504-6PA90-0CA0	6700	950	1220	1920	1320	315	160	240	500	2230	2520	o.r.
1RN7 504-6PA90-0CC0	6800	950	1220	1920	1320	560	170	240	500	2230	2760	o.r.
1RN7 507-6PA90-0CA0	7400	950	1220	1920	1500	315	160	240	500	2230	2730	o.r.
1RN7 507-6PA90-0CC0	7450	950	1220	1920	1500	560	170	240	500	2230	2970	o.r.
1RN7 507-6PA90-0AA0	7150	950	1220	1920	1500	315	160	240	500	2230	2730	o.r.
1RN7 507-6PA90-0AC0	7200	950	1220	1920	1500	560	170	240	500	2230	2970	o.r.
1RN7 508-6PA90-0AA0	7450	950	1220	1920	1500	315	160	240	500	2230	2730	o.r.
1RN7 508-6PA90-0AC0	7500	950	1220	1920	1500	560	170	240	500	2230	2970	o.r.
1RN7 561-6PA90-0CA0	8300	1060	1290	2060	1400	335	190	280	560	2680	2770	o.r.
1RN7 561-6PA90-0CC0	8400	1060	1290	2060	1400	600	190	280	560	2680	3030	o.r.
1RN7 562-6PA90-0CA0	8650	1060	1290	2060	1400	335	190	280	560	2680	2770	o.r.
1RN7 562-6PA90-0CC0	8750	1060	1290	2060	1400	600	190	280	560	2680	3030	o.r.
1RN7 563-6PA90-0CA0	8950	1060	1290	2060	1400	335	190	280	560	2680	2770	o.r.
1RN7 563-6PA90-0CC0	9000	1060	1290	2060	1400	600	190	280	560	2680	3030	o.r.
1RN7 567-6PA90-0CA0	10100	1060	1290	2060	1600	335	190	280	560	2680	3000	o.r.
1RN7 567-6PA90-0CC0	10150	1060	1290	2060	1600	600	190	280	560	2680	3260	o.r.
1RN7 568-6PA90-0CA0	10700	1060	1290	2060	1600	335	190	280	560	2680	3000	o.r.
1RN7 568-6PA90-0CC0	10800	1060	1290	2060	1600	600	190	280	560	2680	3260	o.r.



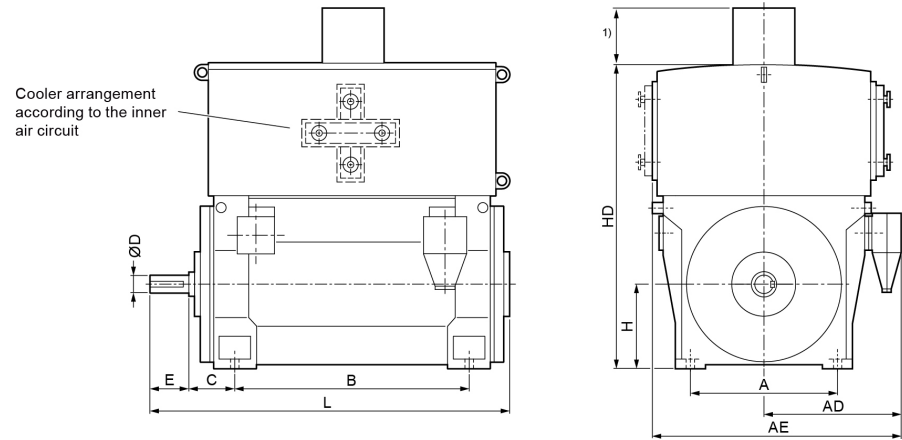
Motor type	Weight	Dimensions										
		A	AD	AE	B	C	D	E	H	HD	L	ML
	kg	mm	mm	mm	mm	mm	mm	mm	mm	mm	mm	mm
Innomotics HV M - 1RN. IC86W 11000 V / 50 Hz B3 (IM 1001) - Dimension drawings												
1RN8 632-6PA90-0CG0	10600	1320	1520	2520	1600	375	200	280	630	3090	2620	o.r.
1RN8 632-6PA90-0CJ0	10700	1320	1520	2520	1600	630	200	280	630	3090	2870	o.r.
1RN8 633-6PA90-0CG0	11050	1320	1520	2520	1600	375	200	280	630	3090	2620	o.r.
1RN8 633-6PA90-0CJ0	11150	1320	1520	2520	1600	630	200	280	630	3090	2870	o.r.
1RN8 634-6PA90-0CG0	11550	1320	1520	2520	1600	375	200	280	630	3090	2620	o.r.
1RN8 634-6PA90-0CJ0	11700	1320	1520	2520	1600	630	200	280	630	3090	2870	o.r.
1RN8 637-6PA90-0CG0	12300	1320	1520	2520	1800	375	200	280	630	3090	2820	o.r.
1RN8 637-6PA90-0CJ0	12450	1320	1520	2520	1800	630	200	280	630	3090	3070	o.r.
1RN8 638-6PA90-0CG0	12850	1320	1520	2520	1800	375	200	280	630	3090	2820	o.r.
1RN8 638-6PA90-0CJ0	12950	1320	1520	2520	1800	630	200	280	630	3090	3070	o.r.
1RN8 712-6PA90-0CG0	14400	1500	1620	2720	2000	375	220	280	710	3360	3010	o.r.
1RN8 712-6PA90-0CJ0	14500	1500	1620	2720	2000	630	220	280	710	3360	3260	o.r.
1RN8 713-6PA90-0CG0	15300	1500	1620	2720	2000	375	220	280	710	3360	3010	o.r.
1RN8 713-6PA90-0CJ0	15450	1500	1620	2720	2000	630	220	280	710	3360	3260	o.r.
1RN8 714-6PA90-0CG0	16300	1500	1620	2720	2000	375	220	280	710	3360	3010	o.r.
1RN8 714-6PA90-0CJ0	16450	1500	1620	2720	2000	630	220	280	710	3360	3260	o.r.
1RN8 717-6PA90-0CG0	17750	1500	1620	2720	2240	375	220	280	710	3360	3250	o.r.
1RN8 717-6PA90-0CJ0	17900	1500	1620	2720	2240	630	220	280	710	3360	3500	o.r.
1RN8 718-6PA90-0CG0	18800	1500	1620	2720	2240	375	220	280	710	3360	3250	o.r.
1RN8 718-6PA90-0CJ0	18900	1500	1620	2720	2240	630	220	280	710	3360	3500	o.r.
8-pole												
1RN7 451-8PA90-0AA0	4250	850	1140	1760	1180	250	130	200	450	1940	2290	o.r.
1RN7 451-8PA90-0AC0	4300	850	1140	1760	1180	500	130	200	450	1940	2540	o.r.



Motor type	Weight	Dimensions										
		A	AD	AE	B	C	D	E	H	HD	L	ML
	kg	mm	mm	mm	mm	mm	mm	mm	mm	mm	mm	mm
Innomotics HV M - 1RN. IC86W 11000 V / 50 Hz B3 (IM 1001) - Dimension drawings												
1RN7 451-8PA90-0CA0	4400	850	1140	1760	1180	250	130	200	450	1940	2290	o.r.
1RN7 451-8PA90-0CC0	4450	850	1140	1760	1180	500	130	200	450	1940	2540	o.r.
1RN7 452-8PA90-0AA0	4400	850	1140	1760	1180	250	130	200	450	1940	2290	o.r.
1RN7 452-8PA90-0AC0	4450	850	1140	1760	1180	500	130	200	450	1940	2540	o.r.
1RN7 452-8PA90-0CA0	4550	850	1140	1760	1180	250	130	200	450	1940	2290	o.r.
1RN7 452-8PA90-0CC0	4600	850	1140	1760	1180	500	130	200	450	1940	2540	o.r.
1RN7 453-8PA90-0AA0	4650	850	1140	1760	1180	250	130	200	450	1940	2290	o.r.
1RN7 453-8PA90-0AC0	4650	850	1140	1760	1180	500	130	200	450	1940	2540	o.r.
1RN7 453-8PA90-0CA0	4800	850	1140	1760	1180	250	130	200	450	1940	2290	o.r.
1RN7 453-8PA90-0CC0	4800	850	1140	1760	1180	500	130	200	450	1940	2540	o.r.
1RN7 454-8PA90-0AA0	4850	850	1140	1760	1180	250	130	200	450	1940	2290	o.r.
1RN7 454-8PA90-0AC0	4900	850	1140	1760	1180	500	130	200	450	1940	2540	o.r.
1RN7 454-8PA90-0CA0	5000	850	1140	1760	1180	250	130	200	450	1940	2290	o.r.
1RN7 454-8PA90-0CC0	5050	850	1140	1760	1180	500	130	200	450	1940	2540	o.r.
1RN7 457-8PA90-0AA0	5350	850	1140	1760	1400	250	130	200	450	1940	2500	o.r.
1RN7 457-8PA90-0AC0	5350	850	1140	1760	1400	500	130	200	450	1940	2750	o.r.
1RN7 457-8PA90-0CA0	5500	850	1140	1760	1400	250	130	200	450	1940	2500	o.r.
1RN7 457-8PA90-0CC0	5550	850	1140	1760	1400	500	130	200	450	1940	2750	o.r.
1RN7 458-8PA90-0AA0	5600	850	1140	1760	1400	250	130	200	450	1940	2500	o.r.
1RN7 458-8PA90-0AC0	5600	850	1140	1760	1400	500	130	200	450	1940	2750	o.r.
1RN7 458-8PA90-0CA0	5800	850	1140	1760	1400	250	130	200	450	1940	2500	o.r.
1RN7 458-8PA90-0CC0	5800	850	1140	1760	1400	500	130	200	450	1940	2750	o.r.
1RN7 502-8PA90-0AA0	5900	950	1220	1920	1320	315	160	240	500	2230	2520	o.r.

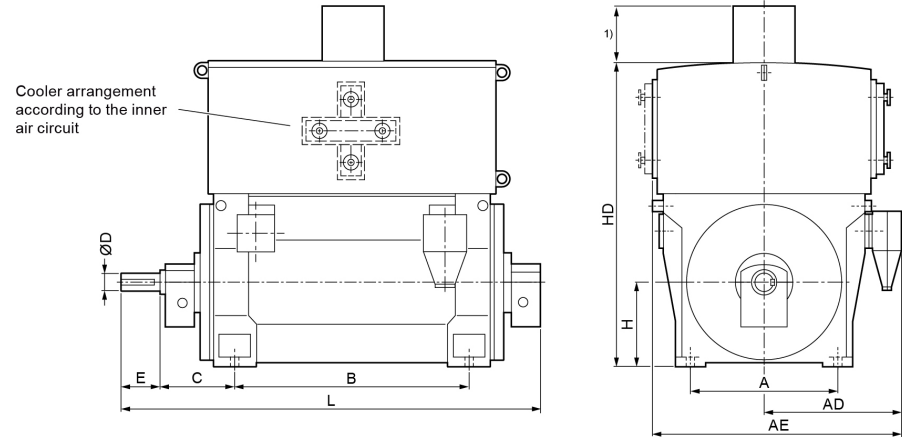


Motor type	Weight	Dimensions										
		A	AD	AE	B	C	D	E	H	HD	L	ML
	kg	mm	mm	mm	mm	mm	mm	mm	mm	mm	mm	mm
Innomotics HV M - 1RN. IC86W 11000 V / 50 Hz B3 (IM 1001) - Dimension drawings												
1RN7 502-8PA90-0AC0	5950	950	1220	1920	1320	560	170	240	500	2230	2760	o.r.
1RN7 502-8PA90-0CA0	6100	950	1220	1920	1320	315	160	240	500	2230	2520	o.r.
1RN7 502-8PA90-0CC0	6150	950	1220	1920	1320	560	170	240	500	2230	2760	o.r.
1RN7 503-8PA90-0AA0	6200	950	1220	1920	1320	315	160	240	500	2230	2520	o.r.
1RN7 503-8PA90-0AC0	6300	950	1220	1920	1320	560	170	240	500	2230	2760	o.r.
1RN7 503-8PA90-0CA0	6450	950	1220	1920	1320	315	160	240	500	2230	2520	o.r.
1RN7 503-8PA90-0CC0	6500	950	1220	1920	1320	560	170	240	500	2230	2760	o.r.
1RN7 504-8PA90-0AA0	6500	950	1220	1920	1320	315	160	240	500	2230	2520	o.r.
1RN7 504-8PA90-0AC0	6600	950	1220	1920	1320	560	170	240	500	2230	2760	o.r.
1RN7 504-8PA90-0CA0	6750	950	1220	1920	1320	315	160	240	500	2230	2520	o.r.
1RN7 504-8PA90-0CC0	6800	950	1220	1920	1320	560	170	240	500	2230	2760	o.r.
1RN7 507-8PA90-0AA0	7150	950	1220	1920	1500	315	160	240	500	2230	2730	o.r.
1RN7 507-8PA90-0AC0	7250	950	1220	1920	1500	560	170	240	500	2230	2970	o.r.
1RN7 507-8PA90-0CA0	7400	950	1220	1920	1500	315	160	240	500	2230	2730	o.r.
1RN7 507-8PA90-0CC0	7500	950	1220	1920	1500	560	170	240	500	2230	2970	o.r.
1RN7 508-8PA90-0AA0	7500	950	1220	1920	1500	315	160	240	500	2230	2730	o.r.
1RN7 508-8PA90-0AC0	7550	950	1220	1920	1500	560	170	240	500	2230	2970	o.r.
1RN7 508-8PA90-0CA0	7750	950	1220	1920	1500	315	160	240	500	2230	2730	o.r.
1RN7 508-8PA90-0CC0	7800	950	1220	1920	1500	560	170	240	500	2230	2970	o.r.
1RN7 563-8PA90-0CA0	8850	1060	1290	2060	1400	335	190	280	560	2680	2770	o.r.
1RN7 563-8PA90-0CC0	8900	1060	1290	2060	1400	600	190	280	560	2680	3030	o.r.
1RN7 564-8PA90-0CA0	9250	1060	1290	2060	1400	335	190	280	560	2680	2770	o.r.
1RN7 564-8PA90-0CC0	9350	1060	1290	2060	1400	600	190	280	560	2680	3030	o.r.



Motor type	Weight	Dimensions											
		A	AD	AE	B	C	D	E	H	HD	L	ML	
	kg	mm	mm	mm	mm	mm	mm	mm	mm	mm	mm	mm	mm
Innomotics HV M - 1RN. IC86W 11000 V / 50 Hz B3 (IM 1001) - Dimension drawings													
1RN7 567-8PA90-0CA0	10150	1060	1290	2060	1600	335	190	280	560	2680	3000	o.r.	
1RN7 567-8PA90-0CC0	10200	1060	1290	2060	1600	600	190	280	560	2680	3260	o.r.	
1RN7 568-8PA90-0CA0	10650	1060	1290	2060	1600	335	190	280	560	2680	3000	o.r.	
1RN7 568-8PA90-0CC0	10700	1060	1290	2060	1600	600	190	280	560	2680	3260	o.r.	
1RN8 633-8PA90-0CG0	9900	1320	1520	2520	1600	375	200	280	630	3090	2620	o.r.	
1RN8 633-8PA90-0CJ0	10000	1320	1520	2520	1600	630	200	280	630	3090	2870	o.r.	
1RN8 634-8PA90-0CG0	10600	1320	1520	2520	1600	375	200	280	630	3090	2620	o.r.	
1RN8 634-8PA90-0CJ0	10700	1320	1520	2520	1600	630	200	280	630	3090	2870	o.r.	
1RN8 637-8PA90-0CG0	11800	1320	1520	2520	1800	375	200	280	630	3090	2820	o.r.	
1RN8 637-8PA90-0CJ0	11900	1320	1520	2520	1800	630	200	280	630	3090	3070	o.r.	
1RN8 638-8PA90-0CG0	12500	1320	1520	2520	1800	375	200	280	630	3090	2820	o.r.	
1RN8 638-8PA90-0CJ0	12600	1320	1520	2520	1800	630	200	280	630	3090	3070	o.r.	
1RN8 712-8PA90-0CG0	13800	1500	1620	2720	2000	375	220	280	710	3270	3010	o.r.	
1RN8 712-8PA90-0CJ0	13950	1500	1620	2720	2000	630	220	280	710	3270	3260	o.r.	
1RN8 713-8PA90-0CG0	14600	1500	1620	2720	2000	375	220	280	710	3270	3010	o.r.	
1RN8 713-8PA90-0CJ0	14800	1500	1620	2720	2000	630	220	280	710	3270	3260	o.r.	
1RN8 714-8PA90-0CG0	15700	1500	1620	2720	2000	375	220	280	710	3270	3010	o.r.	
1RN8 714-8PA90-0CJ0	15900	1500	1620	2720	2000	630	220	280	710	3270	3260	o.r.	
1RN8 717-8PA90-0CG0	17350	1500	1620	2720	2240	375	220	280	710	3270	3250	o.r.	
1RN8 717-8PA90-0CJ0	17550	1500	1620	2720	2240	630	220	280	710	3270	3500	o.r.	
1RN8 718-8PA90-0CG0	18400	1500	1620	2720	2240	375	220	280	710	3270	3250	o.r.	
1RN8 718-8PA90-0CJ0	18600	1500	1620	2720	2240	630	220	280	710	3270	3500	o.r.	

Innomotics HV M - 1RN. IC86W 13800 V / 60 Hz B3 (IM 1001)																			
Rated power IEC	Article No.	Speed	Rated current I_R	Efficiency				Power factor				Torque T_R	Breakdown torque T_B/ T_R	Locked rotor torque T_{LR}/ T_R	Locked rotor current I_{LR}/ I_R	Inertia			
				5/4 load	4/4 load	3/4 load	2/4 load	5/4 load	4/4 load	3/4 load	2/4 load					T_R	T_B/ T_R	T_{LR}/ T_R	I_{LR}/ I_R
kW		rpm	A	%	%	%	%	$\cos \varphi$	$\cos \varphi$	$\cos \varphi$	$\cos \varphi$	Nm	[-]	[-]	[-]	kgm ²	kgm ²	[-]	
2-pole: $n_{sync} = 3600$ rpm at 60 Hz																			
6600	1RN8 633-2PA20-0CJ0	3585	315	96.6	96.8	96.5	95.6	0.88	0.90	0.89	0.87	17580	2.20	0.55	5.4	82	200	o.r.	
8050	1RN8 637-2PA20-0CJ0	3587	380	96.9	97.1	96.7	95.8	0.90	0.91	0.90	0.87	21431	2.60	0.65	6.0	98	200	o.r.	
10750	1RN8 714-2PA20-0CJ0	3588	520	96.9	96.9	96.5	95.5	0.89	0.90	0.90	0.88	28611	2.30	0.60	5.8	173	110	o.r.	
12550	1RN8 717-2PA20-0CJ0	3589	590	97.1	97.1	96.8	95.9	0.90	0.91	0.91	0.89	33392	2.45	0.60	6.0	202	110	o.r.	
4-pole: $n_{sync} = 1800$ rpm at 60 Hz																			
5850	1RN8 633-4PA20-0C.0	1792	280	96.8	97.2	97.3	96.9	0.89	0.90	0.89	0.85	31174	2.40	0.55	5.9	151	550	o.r.	
7200	1RN8 637-4PA20-0C.0	1793	345	97.1	97.4	97.4	97.0	0.89	0.90	0.88	0.84	38346	2.55	0.60	6.0	181	660	o.r.	
9250	1RN8 713-4PA20-0C.0	1793	440	97.1	97.4	97.4	97.0	0.89	0.90	0.89	0.84	49264	2.60	0.50	6.0	282	690	o.r.	
11050	1RN8 717-4PA20-0C.0	1793	530	97.3	97.5	97.6	97.2	0.89	0.90	0.90	0.86	58851	2.55	0.45	6.0	342	780	o.r.	
6-pole: $n_{sync} = 1200$ rpm at 60 Hz																			
4950	1RN8 633-6PA20-0C.0	1193	245	96.5	97.0	97.1	96.8	0.85	0.87	0.84	0.77	39622	2.30	0.55	5.5	209	1400	o.r.	
6050	1RN8 637-6PA20-0C.0	1194	300	96.8	97.1	97.2	96.8	0.86	0.87	0.83	0.76	48386	2.50	0.60	5.5	246	1900	o.r.	
8650	1RN8 714-6PA20-0C.0	1195	425	97.2	97.5	97.6	97.3	0.86	0.87	0.85	0.78	69123	2.40	0.50	5.5	422	1910	o.r.	
9550	1RN8 717-6PA20-0C.0	1195	470	97.3	97.5	97.6	97.2	0.86	0.87	0.84	0.77	76314	2.45	0.50	5.5	474	2060	o.r.	



Motor type	Weight	Dimensions											
		A	AD	AE	B	C	D	E	H	HD	L	ML	
	kg	mm	mm	mm	mm	mm	mm	mm	mm	mm	mm	mm	mm
Innomotics HV M - 1RN. IC86W 13800 V / 60 Hz B3 (IM 1001) - Dimension drawings													
2-pole													
1RN8 633-2PA20-0CJ0	9800	1320	1647	2647	1600	560	160	240	630	3150	2760	o.r.	
1RN8 637-2PA20-0CJ0	11100	1320	1647	2647	1800	560	160	240	630	3150	2960	o.r.	
1RN8 714-2PA20-0CJ0	14500	1500	1747	2847	2000	560	180	240	710	3410	3150	o.r.	
1RN8 717-2PA20-0CJ0	16200	1500	1747	2847	2240	560	180	240	710	3410	3390	o.r.	
4-pole													
1RN8 633-4PA20-0CG0	10500	1320	1647	2647	1600	375	200	280	630	3150	2620	o.r.	
1RN8 633-4PA20-0CJ0	10600	1320	1647	2647	1600	630	200	280	630	3150	2870	o.r.	
1RN8 637-4PA20-0CG0	11800	1320	1647	2647	1800	375	200	280	630	3150	2820	o.r.	
1RN8 637-4PA20-0CJ0	11900	1320	1647	2647	1800	630	200	280	630	3150	3070	o.r.	
1RN8 713-4PA20-0CG0	14900	1500	1747	2847	2000	375	220	280	710	3410	3010	o.r.	
1RN8 713-4PA20-0CJ0	15050	1500	1747	2847	2000	630	220	280	710	3410	3260	o.r.	
1RN8 717-4PA20-0CG0	16800	1500	1747	2847	2240	375	220	280	710	3410	3250	o.r.	
1RN8 717-4PA20-0CJ0	16950	1500	1747	2847	2240	630	220	280	710	3410	3500	o.r.	
6-pole													
1RN8 633-6PA20-0CG0	10900	1320	1647	2647	1600	375	200	280	630	3150	2620	o.r.	
1RN8 633-6PA20-0CJ0	11000	1320	1647	2647	1600	630	200	280	630	3150	2870	o.r.	
1RN8 637-6PA20-0CG0	12200	1320	1647	2647	1800	375	200	280	630	3150	2820	o.r.	
1RN8 637-6PA20-0CJ0	12300	1320	1647	2647	1800	630	200	280	630	3150	3070	o.r.	
1RN8 714-6PA20-0CG0	16200	1500	1747	2847	2000	375	220	280	710	3410	3010	o.r.	
1RN8 714-6PA20-0CJ0	16350	1500	1747	2847	2000	630	220	280	710	3410	3260	o.r.	
1RN8 717-6PA20-0CG0	17500	1500	1747	2847	2240	375	220	280	710	3410	3250	o.r.	
1RN8 717-6PA20-0CJ0	17650	1500	1747	2847	2240	630	220	280	710	3410	3500	o.r.	

Innomotics HV M - 1RA. IP44R 6000 V / 50 Hz B3 (IM 1001)																		
Rated power IEC	Article No.	Speed	Rated current I_R	Efficiency				Power factor				Torque T_R	Breakdown torque T_B/ T_R	Locked rotor torque T_{LR}/ T_R	Locked rotor current I_{LR}/ I_R	Inertia		
				5/4 load	4/4 load	3/4 load	2/4 load	5/4 load	4/4 load	3/4 load	2/4 load					motor	external	Startup max T/TR
kW		rpm	A	%	%	%	%	cos φ	cos φ	cos φ	cos φ	Nm	[-]	[-]	[-]	kgm ²	kgm ²	[-]
2-pole: $n_{sync} = 3000$ rpm at 50 Hz																		
7200	1RA8 633-2GA60-0CJ0	2978	800	96.5	97.1	97.1	96.8	0.85	0.89	0.89	0.89	23088	1.90	0.50	4.3	82	200	o.r.
7900	1RA8 634-2GA60-0CJ0	2980	880	96.7	97.2	97.2	96.9	0.86	0.89	0.90	0.89	25315	2.00	0.50	4.6	90	210	o.r.
8750	1RA8 637-2GA60-0CJ0	2981	960	97.0	97.4	97.4	97.1	0.88	0.90	0.91	0.90	28030	2.10	0.55	5.0	99	220	o.r.
9700	1RA8 638-2GA60-0CJ0	2981	1060	97.0	97.5	97.5	97.2	0.88	0.90	0.91	0.90	31073	2.15	0.60	5.0	108	210	o.r.
10150	1RA8 712-2GA60-0CJ0	2982	1140	96.6	97.1	97.1	96.7	0.83	0.88	0.89	0.89	32503	1.70	0.45	4.0	149	150	o.r.
11150	1RA8 713-2GA60-0CJ0	2981	1280	96.6	97.1	97.2	96.9	0.82	0.87	0.88	0.89	35718	1.65	0.45	3.8	160	130	o.r.
11600	1RA8 714-2GA60-0CJ0	2983	1300	96.8	97.2	97.3	96.9	0.85	0.89	0.90	0.90	37134	1.80	0.40	4.2	173	160	o.r.
13000	1RA8 716-2GA60-0CJ0	2984	1420	97.1	97.4	97.4	97.0	0.87	0.90	0.91	0.90	41602	1.90	0.50	4.5	186	140	o.r.
14650	1RA8 717-2GA60-0CJ0	2984	1600	97.3	97.6	97.5	97.2	0.87	0.90	0.91	0.90	46882	1.90	0.50	4.5	201	120	o.r.
15000	1RA8 718-2GA60-0CJ0	2983	1620	97.2	97.6	97.7	97.4	0.87	0.91	0.92	0.92	48019	1.90	0.50	4.4	220	120	o.r.
4-pole: $n_{sync} = 1500$ rpm at 50 Hz																		
6650	1RA8 633-4GA60-0C.0	1489	750	96.7	97.3	97.6	97.5	0.86	0.88	0.89	0.86	42648	2.00	0.50	4.7	151	540	o.r.
7150	1RA8 634-4GA60-0C.0	1489	790	96.7	97.3	97.6	97.6	0.86	0.89	0.89	0.87	45855	2.00	0.50	4.8	166	640	o.r.
8100	1RA8 637-4GA60-0C.0	1489	900	96.9	97.4	97.7	97.6	0.87	0.89	0.89	0.86	51947	2.10	0.50	5.0	182	650	o.r.
9300	1RA8 638-4GA60-0C.0	1490	1040	97.1	97.6	97.8	97.7	0.87	0.89	0.88	0.85	59603	2.10	0.50	5.0	198	670	o.r.
9600	1RA8 712-4GA60-0C.0	1490	1060	97.1	97.6	97.8	97.7	0.87	0.89	0.89	0.86	61526	2.15	0.45	4.9	259	650	o.r.
10450	1RA8 713-4GA60-0C.0	1490	1140	97.2	97.6	97.8	97.7	0.88	0.90	0.89	0.87	66973	2.20	0.50	5.2	284	720	o.r.
11500	1RA8 714-4GA60-0C.0	1490	1260	97.3	97.7	97.9	97.8	0.88	0.90	0.90	0.87	73703	2.25	0.50	5.3	312	800	o.r.
12750	1RA8 717-4GA60-0C.0	1491	1400	97.3	97.7	97.9	97.8	0.89	0.90	0.90	0.88	81659	2.30	0.55	5.5	346	850	o.r.
13600	1RA8 718-4GA60-0C.0	1492	1480	97.4	97.8	97.9	97.8	0.89	0.90	0.89	0.85	87045	2.50	0.55	5.8	365	930	o.r.
6-pole: $n_{sync} = 1000$ rpm at 50 Hz																		
5000	1RA8 632-6GA60-0C.0	991	580	96.3	96.9	97.2	97.1	0.84	0.86	0.83	0.77	48180	2.10	0.55	4.7	193	1880	o.r.
5200	1RA8 633-6GA60-0C.0	991	590	96.4	97.0	97.3	97.2	0.84	0.87	0.84	0.79	50107	2.10	0.55	4.7	209	2160	o.r.
6000	1RA8 634-6GA60-0C.0	991	690	96.5	97.1	97.4	97.3	0.84	0.86	0.84	0.79	57816	2.00	0.52	4.7	227	2080	o.r.
6400	1RA8 637-6GA60-0C.0	991	730	96.5	97.1	97.4	97.3	0.84	0.87	0.85	0.80	61671	2.00	0.52	4.7	247	2400	o.r.
6900	1RA8 638-6GA60-0C.0	991	790	96.6	97.2	97.5	97.4	0.85	0.87	0.85	0.80	66489	2.05	0.52	4.7	265	2580	o.r.
7350	1RA8 712-6GA60-0C.0	993	840	96.9	97.4	97.6	97.5	0.85	0.86	0.84	0.79	70682	2.15	0.55	5.0	331	2240	o.r.
8150	1RA8 713-6GA60-0C.0	993	920	97.0	97.5	97.7	97.7	0.85	0.87	0.86	0.82	78375	2.10	0.55	5.0	374	2520	o.r.
9400	1RA8 714-6GA60-0C.0	993	1060	97.1	97.5	97.8	97.7	0.85	0.87	0.85	0.80	90396	2.15	0.50	5.0	424	2810	o.r.
10550	1RA8 717-6GA60-0C.0	994	1200	97.3	97.7	97.9	97.7	0.86	0.87	0.85	0.80	101353	2.30	0.60	5.4	478	3250	o.r.
11300	1RA8 718-6GA60-0C.0	994	1280	97.4	97.7	97.9	97.7	0.86	0.87	0.85	0.77	108558	2.50	0.60	5.5	524	3760	o.r.
8-pole: $n_{sync} = 750$ rpm at 50 Hz																		
3350	1RA8 633-8GA60-0C.0	742	395	95.2	96.0	96.4	96.3	0.83	0.85	0.83	0.77	43113	1.80	0.40	3.8	216	3390	o.r.
3900	1RA8 634-8GA60-0C.0	742	455	95.6	96.3	96.5	96.4	0.84	0.86	0.83	0.76	50192	1.90	0.45	4.1	251	3760	o.r.
4550	1RA8 637-8GA60-0C.0	743	530	96.0	96.5	96.7	96.5	0.85	0.86	0.82	0.75	58478	2.05	0.50	4.4	292	5960	o.r.
4800	1RA8 638-8GA60-0C.0	743	560	96.2	96.7	96.8	96.6	0.85	0.86	0.83	0.76	61691	2.10	0.50	4.5	326	6970	o.r.

Innomotics HV M - 1RA. IP44R 6000 V / 50 Hz B3 (IM 1001)																			
Rated power IEC	Article No.	Speed	Rated current I_R	Efficiency				Power factor				Torque T_R	Breakdown torque T_B / T_R	Locked rotor torque T_{LR} / T_R	Locked rotor current I_{LR} / I_R	Inertia			
				5/4 load	4/4 load	3/4 load	2/4 load	5/4 load	4/4 load	3/4 load	2/4 load					motor	external	Startup max T/TR	
kW		rpm	A	%	%	%	%	$\cos \varphi$	$\cos \varphi$	$\cos \varphi$	$\cos \varphi$	Nm	[-]	[-]	[-]	kgm ²	kgm ²	[-]	
5400	1RA8 712-8GA60-0C.0	744	580	96.4	96.8	97.0	96.8	0.85	0.86	0.82	0.75	69309	2.15	0.45	4.6	422	5600	o.r.	
5900	1RA8 713-8GA60-0C.0	745	650	96.4	96.9	97.0	96.8	0.86	0.86	0.83	0.75	75625	2.25	0.50	4.8	474	6410	o.r.	
6900	1RA8 714-8GA60-0C.0	745	720	96.6	97.0	97.1	96.9	0.86	0.87	0.83	0.76	88443	2.25	0.50	4.8	542	7220	o.r.	
7800	1RA8 717-8GA60-0C.0	745	820	96.8	97.1	97.2	96.9	0.86	0.87	0.82	0.74	99979	2.35	0.50	5.0	619	8530	o.r.	
8300	1RA8 718-8GA60-0C.0	745	910	96.9	97.2	97.2	97.0	0.87	0.87	0.83	0.75	106388	2.45	0.60	5.2	682	9540	o.r.	

Motor type	Weight				Dimensions								
	kg	A mm	AD mm	AE mm	B mm	C mm	D mm	E mm	H mm	HD mm	L mm	ML mm	
Innomotics HV M - 1RA. IP44R 6000 V / 50 Hz B3 (IM 1001) - Dimension drawings													
2-pole													
1RA8 633-2GA60-0CJ0	9250	1320	1520	2520	1600	560	160	240	630	1500	2890	350	
1RA8 634-2GA60-0CJ0	9750	1320	1520	2520	1600	560	160	240	630	1500	2890	350	
1RA8 637-2GA60-0CJ0	10600	1320	1520	2520	1800	560	160	240	630	1500	3090	350	
1RA8 638-2GA60-0CJ0	11200	1320	1520	2520	1800	560	160	240	630	1500	3090	350	
1RA8 712-2GA60-0CJ0	12350	1500	1620	2720	2000	560	180	240	710	1650	3280	400	
1RA8 713-2GA60-0CJ0	13000	1500	1620	2720	2000	560	180	240	710	1650	3280	400	
1RA8 714-2GA60-0CJ0	13600	1500	1620	2720	2000	560	180	240	710	1650	3280	400	
1RA8 716-2GA60-0CJ0	14700	1500	1620	2720	2240	560	180	240	710	1650	3520	400	
1RA8 717-2GA60-0CJ0	15600	1500	1620	2720	2240	560	180	240	710	1650	3520	400	
1RA8 718-2GA60-0CJ0	16600	1500	1620	2720	2240	560	180	240	710	1650	3520	400	
4-pole													
1RA8 633-4GA60-0CG0	10000	1320	1520	2520	1600	375	200	280	630	1500	2610	350	
1RA8 633-4GA60-0CJ0	10100	1320	1520	2520	1600	630	200	280	630	1500	3090	350	
1RA8 634-4GA60-0CG0	10400	1320	1520	2520	1600	375	200	280	630	1500	2610	350	
1RA8 634-4GA60-0CJ0	10500	1320	1520	2520	1600	630	200	280	630	1500	3090	350	
1RA8 637-4GA60-0CG0	11250	1320	1520	2520	1800	375	200	280	630	1500	2810	350	
1RA8 637-4GA60-0CJ0	11350	1320	1520	2520	1800	630	200	280	630	1500	3290	350	
1RA8 638-4GA60-0CG0	11950	1320	1520	2520	1800	375	200	280	630	1500	2810	350	
1RA8 638-4GA60-0CJ0	12050	1320	1520	2520	1800	630	200	280	630	1500	3290	350	
1RA8 712-4GA60-0CG0	13550	1500	1620	2720	2000	375	220	280	710	1650	3010	400	
1RA8 712-4GA60-0CJ0	13650	1500	1620	2720	2000	630	220	280	710	1650	3480	400	
1RA8 713-4GA60-0CG0	14200	1500	1620	2720	2000	375	220	280	710	1650	3010	400	
1RA8 713-4GA60-0CJ0	14350	1500	1620	2720	2000	630	220	280	710	1650	3480	400	
1RA8 714-4GA60-0CG0	15000	1500	1620	2720	2000	375	220	280	710	1650	3010	400	
1RA8 714-4GA60-0CJ0	15150	1500	1620	2720	2000	630	220	280	710	1650	3480	400	
1RA8 717-4GA60-0CG0	16200	1500	1620	2720	2240	375	220	280	710	1650	3250	400	
1RA8 717-4GA60-0CJ0	16350	1500	1620	2720	2240	630	220	280	710	1650	3720	400	
1RA8 718-4GA60-0CG0	16800	1500	1620	2720	2240	375	220	280	710	1650	3250	400	
1RA8 718-4GA60-0CJ0	16900	1500	1620	2720	2240	630	220	280	710	1650	3720	400	
6-pole													
1RA8 632-6GA60-0CG0	9900	1320	1520	2520	1600	375	200	280	630	1500	2610	350	
1RA8 632-6GA60-0CJ0	10000	1320	1520	2520	1600	630	200	280	630	1500	3090	350	
1RA8 633-6GA60-0CG0	10250	1320	1520	2520	1600	375	200	280	630	1500	2610	350	
1RA8 633-6GA60-0CJ0	10350	1320	1520	2520	1600	630	200	280	630	1500	3090	350	
1RA8 634-6GA60-0CG0	10900	1320	1520	2520	1600	375	200	280	630	1500	2610	350	
1RA8 634-6GA60-0CJ0	11000	1320	1520	2520	1600	630	200	280	630	1500	3090	350	

Motor type	Weight	Dimensions										
	kg	A mm	AD mm	AE mm	B mm	C mm	D mm	E mm	H mm	HD mm	L mm	ML mm
Innomotics HV M - 1RA. IP44R 6000 V / 50 Hz B3 (IM 1001) - Dimension drawings												
1RA8 637-6GA60-0CG0	11600	1320	1520	2520	1800	375	200	280	630	1500	2810	350
1RA8 637-6GA60-0CJ0	11750	1320	1520	2520	1800	630	200	280	630	1500	3290	350
1RA8 638-6GA60-0CG0	12200	1320	1520	2520	1800	375	200	280	630	1500	2810	350
1RA8 638-6GA60-0CJ0	12300	1320	1520	2520	1800	630	200	280	630	1500	3290	350
1RA8 712-6GA60-0CG0	13350	1500	1620	2720	2000	375	220	280	710	1650	3010	400
1RA8 712-6GA60-0CJ0	13500	1500	1620	2720	2000	630	220	280	710	1650	3480	400
1RA8 713-6GA60-0CG0	14350	1500	1620	2720	2000	375	220	280	710	1650	3010	400
1RA8 713-6GA60-0CJ0	14450	1500	1620	2720	2000	630	220	280	710	1650	3480	400
1RA8 714-6GA60-0CG0	15400	1500	1620	2720	2000	375	220	280	710	1650	3010	400
1RA8 714-6GA60-0CJ0	15550	1500	1620	2720	2000	630	220	280	710	1650	3480	400
1RA8 717-6GA60-0CG0	16900	1500	1620	2720	2240	375	220	280	710	1650	3250	400
1RA8 717-6GA60-0CJ0	17050	1500	1620	2720	2240	630	220	280	710	1650	3720	400
1RA8 718-6GA60-0CG0	17800	1500	1620	2720	2240	375	220	280	710	1650	3250	400
1RA8 718-6GA60-0CJ0	17950	1500	1620	2720	2240	630	220	280	710	1650	3720	400
8-pole												
1RA8 633-8GA60-0CG0	9150	1320	1520	2520	1600	375	200	280	630	1500	2610	350
1RA8 633-8GA60-0CJ0	9250	1320	1520	2520	1600	630	200	280	630	1500	3090	350
1RA8 634-8GA60-0CG0	9900	1320	1520	2520	1600	375	200	280	630	1500	2610	350
1RA8 634-8GA60-0CJ0	10000	1320	1520	2520	1600	630	200	280	630	1500	3090	350
1RA8 637-8GA60-0CG0	11100	1320	1520	2520	1800	375	200	280	630	1500	2810	350
1RA8 637-8GA60-0CJ0	11200	1320	1520	2520	1800	630	200	280	630	1500	3290	350
1RA8 638-8GA60-0CG0	11800	1320	1520	2520	1800	375	200	280	630	1500	2810	350
1RA8 638-8GA60-0CJ0	11950	1320	1520	2520	1800	630	200	280	630	1500	3290	350
1RA8 712-8GA60-0CG0	13000	1500	1620	2720	2000	375	220	280	710	1650	3010	400
1RA8 712-8GA60-0CJ0	13200	1500	1620	2720	2000	630	220	280	710	1650	3480	400
1RA8 713-8GA60-0CG0	13700	1500	1620	2720	2000	375	220	280	710	1650	3010	400
1RA8 713-8GA60-0CJ0	13900	1500	1620	2720	2000	630	220	280	710	1650	3480	400
1RA8 714-8GA60-0CG0	14950	1500	1620	2720	2000	375	220	280	710	1650	3010	400
1RA8 714-8GA60-0CJ0	15100	1500	1620	2720	2000	630	220	280	710	1650	3480	400
1RA8 717-8GA60-0CG0	16500	1500	1620	2720	2240	375	220	280	710	1650	3250	400
1RA8 717-8GA60-0CJ0	16700	1500	1620	2720	2240	630	220	280	710	1650	3720	400
1RA8 718-8GA60-0CG0	17500	1500	1620	2720	2240	375	220	280	710	1650	3250	400
1RA8 718-8GA60-0CJ0	17700	1500	1620	2720	2240	630	220	280	710	1650	3720	400

Innomotics HV M - 1RA. IP44R 6600 V / 60 Hz B3 (IM 1001)																		
Rated power IEC	Article No.	Speed	Rated current I_R	Efficiency				Power factor				Torque T_R	Breakdown torque T_B/ T_R	Locked rotor torque T_{LR}/ T_R	Locked rotor current I_{LR}/ I_R	Inertia		
				5/4 load	4/4 load	3/4 load	2/4 load	5/4 load	4/4 load	3/4 load	2/4 load					motor	external	Startup max T/TR
kW		rpm	A	%	%	%	%	cos φ	cos φ	cos φ	cos φ	Nm	[-]	[-]	[-]	kgm ²	kgm ²	[-]
2-pole: $n_{sync} = 3600$ rpm at 60 Hz																		
7500	1RA8 632-2GA10-0CJ0	3579	780	96.5	97.0	96.8	96.1	0.84	0.87	0.88	0.88	20011	1.85	0.45	4.4	75	120	o.r.
8350	1RA8 633-2GA10-0CJ0	3580	850	96.7	97.1	96.9	96.3	0.85	0.88	0.89	0.89	22273	1.90	0.50	4.6	82	120	o.r.
9200	1RA8 634-2GA10-0CJ0	3580	930	97.0	97.3	97.1	96.4	0.87	0.89	0.90	0.89	24540	2.10	0.50	5.0	90	120	o.r.
10400	1RA8 637-2GA10-0CJ0	3581	1040	97.0	97.4	97.2	96.6	0.87	0.90	0.90	0.90	27733	2.10	0.55	5.0	99	100	o.r.
11550	1RA8 638-2GA10-0CJ0	3582	1160	97.2	97.5	97.3	96.8	0.88	0.90	0.91	0.90	30791	2.15	0.55	5.2	108	100	o.r.
12400	1RA8 713-2GA10-0CJ0	3584	1260	96.8	97.0	96.8	96.1	0.85	0.89	0.89	0.89	33039	1.80	0.40	4.1	160	50	o.r.
13700	1RA8 714-2GA10-0CJ0	3585	1360	97.1	97.2	97.0	96.3	0.88	0.90	0.90	0.90	36492	1.95	0.50	4.7	173	40	o.r.
15300	1RA8 716-2GA10-0CJ0	3585	1520	97.2	97.3	97.1	96.4	0.88	0.90	0.90	0.90	40754	2.00	0.55	4.8	186	30	o.r.
16000	1RA8 717-2GA10-0CJ0	3586	1580	97.3	97.4	97.1	96.4	0.89	0.91	0.91	0.90	42607	2.15	0.40	5.0	202	30	o.r.
4-pole: $n_{sync} = 1800$ rpm at 60 Hz																		
7800	1RA8 633-4GA10-0C.0	1789	790	97.0	97.4	97.5	97.3	0.87	0.89	0.88	0.85	41635	2.05	0.50	5.0	151	310	o.r.
8950	1RA8 634-4GA10-0C.0	1789	900	97.1	97.5	97.7	97.5	0.87	0.89	0.88	0.86	47773	2.05	0.50	5.0	166	310	o.r.
10100	1RA8 637-4GA10-0C.0	1790	1020	97.3	97.6	97.7	97.5	0.87	0.89	0.88	0.85	53882	2.10	0.50	5.0	182	330	o.r.
10750	1RA8 638-4GA10-0C.0	1790	1060	97.2	97.7	97.8	97.7	0.87	0.90	0.90	0.88	57349	2.10	0.50	5.0	198	370	o.r.
11100	1RA8 712-4GA10-0C.0	1791	1120	97.4	97.6	97.7	97.4	0.88	0.89	0.88	0.85	59183	2.30	0.50	5.3	259	380	o.r.
12150	1RA8 713-4GA10-0C.0	1791	1220	97.5	97.7	97.8	97.5	0.88	0.89	0.89	0.85	64782	2.40	0.50	5.7	284	410	o.r.
13500	1RA8 714-4GA10-0C.0	1791	1340	97.5	97.8	97.8	97.6	0.88	0.90	0.89	0.86	71980	2.40	0.50	5.7	312	420	o.r.
15000	1RA8 717-4GA10-0C.0	1791	1500	97.5	97.8	97.9	97.6	0.89	0.90	0.90	0.86	79977	2.40	0.50	5.8	346	460	o.r.
15400	1RA8 718-4GA10-0C.0	1791	1520	97.6	97.8	97.9	97.7	0.90	0.91	0.91	0.88	82110	2.45	0.55	5.9	365	500	o.r.
6-pole: $n_{sync} = 1200$ rpm at 60 Hz																		
5900	1RA8 632-6GA10-0C.0	1191	620	96.7	97.1	97.3	97.0	0.84	0.86	0.83	0.77	47305	2.10	0.50	4.8	193	1120	o.r.
6650	1RA8 633-6GA10-0C.0	1191	700	96.8	97.2	97.4	97.1	0.84	0.86	0.83	0.77	53319	2.10	0.53	4.8	209	1110	o.r.
7150	1RA8 634-6GA10-0C.0	1191	740	96.8	97.3	97.4	97.2	0.85	0.87	0.84	0.78	57328	2.10	0.54	4.8	227	1250	o.r.
7800	1RA8 637-6GA10-0C.0	1191	810	96.9	97.3	97.5	97.3	0.85	0.87	0.85	0.79	62539	2.10	0.55	4.8	247	1350	o.r.
8350	1RA8 638-6GA10-0C.0	1191	860	97.0	97.4	97.5	97.3	0.85	0.87	0.85	0.79	66949	2.15	0.56	4.9	265	1490	o.r.
8900	1RA8 712-6GA10-0C.0	1193	930	97.2	97.6	97.7	97.5	0.85	0.86	0.85	0.79	71240	2.15	0.50	5.1	331	1270	o.r.
9750	1RA8 713-6GA10-0C.0	1194	1000	97.3	97.6	97.7	97.5	0.85	0.87	0.84	0.78	77978	2.30	0.55	5.4	374	1550	o.r.
10800	1RA8 714-6GA10-0C.0	1194	1100	97.3	97.7	97.8	97.5	0.86	0.88	0.85	0.80	86376	2.30	0.55	5.4	424	1780	o.r.
12000	1RA8 717-6GA10-0C.0	1194	1220	97.4	97.7	97.9	97.6	0.87	0.88	0.86	0.80	95973	2.35	0.60	5.5	478	2080	o.r.
13000	1RA8 718-6GA10-0C.0	1194	1320	97.5	97.8	97.9	97.6	0.87	0.88	0.86	0.80	103971	2.45	0.60	5.5	524	2300	o.r.
8-pole: $n_{sync} = 900$ rpm at 60 Hz																		
4050	1RA8 633-8GA10-0C.0	892	430	95.8	96.4	96.5	96.2	0.84	0.85	0.82	0.75	43357	1.90	0.40	4.1	216	2690	o.r.
4850	1RA8 634-8GA10-0C.0	892	520	96.0	96.6	96.7	96.4	0.84	0.85	0.82	0.76	51922	1.90	0.40	4.1	251	2950	o.r.
5400	1RA8 637-8GA10-0C.0	893	570	96.4	96.8	96.8	96.4	0.85	0.86	0.82	0.75	57745	2.05	0.40	4.5	292	3640	o.r.
5700	1RA8 638-8GA10-0C.0	894	600	96.5	96.9	96.9	96.5	0.85	0.86	0.82	0.75	60885	2.15	0.50	5.0	326	4290	o.r.
6100	1RA8 712-8GA10-0C.0	895	640	96.6	97.0	96.9	96.6	0.86	0.86	0.82	0.74	65085	2.30	0.55	5.0	422	3590	o.r.

Innomotics HV M - 1RA. IP44R 6600 V / 60 Hz B3 (IM 1001)																		
Rated power IEC	Article No.	Speed	Rated current I_R	Efficiency				Power factor				Torque T_R	Breakdown torque T_B/ T_R	Locked rotor torque T_{LR}/ T_R	Locked rotor current I_{LR}/ I_R	Inertia		
				5/4 load	4/4 load	3/4 load	2/4 load	5/4 load	4/4 load	3/4 load	2/4 load					motor	external	Startup max T/TR
kW		rpm	A	%	%	%	%	$\cos \varphi$	$\cos \varphi$	$\cos \varphi$	$\cos \varphi$	Nm	[-]	[-]	[-]	kgm ²	kgm ²	[-]
6900	1RA8 713-8GA10-0C.0	895	720	96.8	97.1	97.0	96.6	0.86	0.86	0.82	0.74	73620	2.40	0.55	5.1	474	4020	o.r.
7900	1RA8 714-8GA10-0C.0	895	820	96.9	97.2	97.1	96.7	0.87	0.87	0.82	0.74	84290	2.50	0.60	5.3	542	4540	o.r.
9250	1RA8 717-8GA10-0C.0	895	960	97.1	97.3	97.3	96.8	0.87	0.87	0.82	0.74	98694	2.45	0.55	5.3	620	4970	o.r.
10000	1RA8 718-8GA10-0C.0	895	1040	97.2	97.4	97.3	96.9	0.87	0.87	0.83	0.74	106696	2.55	0.55	5.5	684	5590	o.r.

Motor type	Weight		Dimensions										
	kg	A mm	AD mm	AE mm	B mm	C mm	D mm	E mm	H mm	HD mm	L mm	ML mm	
Innomotics HV M - 1RA. IP44R 6600 V / 60 Hz B3 (IM 1001) - Dimension drawings													
2-pole													
1RA8 632-2GA10-0CJ0	8750	1320	1520	2520	1600	560	160	240	630	1500	2890	350	
1RA8 633-2GA10-0CJ0	9250	1320	1520	2520	1600	560	160	240	630	1500	2890	350	
1RA8 634-2GA10-0CJ0	9800	1320	1520	2520	1600	560	160	240	630	1500	2890	350	
1RA8 637-2GA10-0CJ0	10600	1320	1520	2520	1800	560	160	240	630	1500	3090	350	
1RA8 638-2GA10-0CJ0	11250	1320	1520	2520	1800	560	160	240	630	1500	3090	350	
1RA8 713-2GA10-0CJ0	12900	1500	1620	2720	2000	560	180	240	710	1650	3280	400	
1RA8 714-2GA10-0CJ0	13700	1500	1620	2720	2000	560	180	240	710	1650	3280	400	
1RA8 716-2GA10-0CJ0	14800	1500	1620	2720	2240	560	180	240	710	1650	3520	400	
1RA8 717-2GA10-0CJ0	15500	1500	1620	2720	2240	560	180	240	710	1650	3520	400	
4-pole													
1RA8 633-4GA10-0CG0	9850	1320	1520	2520	1600	375	200	280	630	1500	2610	350	
1RA8 633-4GA10-0CJ0	9950	1320	1520	2520	1600	630	200	280	630	1500	3090	350	
1RA8 634-4GA10-0CG0	10450	1320	1520	2520	1600	375	200	280	630	1500	2610	350	
1RA8 634-4GA10-0CJ0	10550	1320	1520	2520	1600	630	200	280	630	1500	3090	350	
1RA8 637-4GA10-0CG0	11350	1320	1520	2520	1800	375	200	280	630	1500	2810	350	
1RA8 637-4GA10-0CJ0	11450	1320	1520	2520	1800	630	200	280	630	1500	3290	350	
1RA8 638-4GA10-0CG0	11900	1320	1520	2520	1800	375	200	280	630	1500	2810	350	
1RA8 638-4GA10-0CJ0	12000	1320	1520	2520	1800	630	200	280	630	1500	3290	350	
1RA8 712-4GA10-0CG0	13450	1500	1620	2720	2000	375	220	280	710	1650	3010	400	
1RA8 712-4GA10-0CJ0	13600	1500	1620	2720	2000	630	220	280	710	1650	3480	400	
1RA8 713-4GA10-0CG0	14200	1500	1620	2720	2000	375	220	280	710	1650	3010	400	
1RA8 713-4GA10-0CJ0	14350	1500	1620	2720	2000	630	220	280	710	1650	3480	400	
1RA8 714-4GA10-0CG0	14950	1500	1620	2720	2000	375	220	280	710	1650	3010	400	
1RA8 714-4GA10-0CJ0	15100	1500	1620	2720	2000	630	220	280	710	1650	3480	400	
1RA8 717-4GA10-0CG0	16200	1500	1620	2720	2240	375	220	280	710	1650	3250	400	
1RA8 717-4GA10-0CJ0	16350	1500	1620	2720	2240	630	220	280	710	1650	3720	400	
1RA8 718-4GA10-0CG0	16700	1500	1620	2720	2240	375	220	280	710	1650	3250	400	
1RA8 718-4GA10-0CJ0	16850	1500	1620	2720	2240	630	220	280	710	1650	3720	400	
6-pole													
1RA8 632-6GA10-0CG0	9850	1320	1520	2520	1600	375	200	280	630	1500	2610	350	
1RA8 632-6GA10-0CJ0	9950	1320	1520	2520	1600	630	200	280	630	1500	3090	350	
1RA8 633-6GA10-0CG0	10350	1320	1520	2520	1600	375	200	280	630	1500	2610	350	
1RA8 633-6GA10-0CJ0	10450	1320	1520	2520	1600	630	200	280	630	1500	3090	350	
1RA8 634-6GA10-0CG0	10850	1320	1520	2520	1600	375	200	280	630	1500	2610	350	
1RA8 634-6GA10-0CJ0	10950	1320	1520	2520	1600	630	200	280	630	1500	3090	350	
1RA8 637-6GA10-0CG0	11650	1320	1520	2520	1800	375	200	280	630	1500	2810	350	

Motor type	Weight	Dimensions										
	kg	A mm	AD mm	AE mm	B mm	C mm	D mm	E mm	H mm	HD mm	L mm	ML mm
Innomotics HV M - 1RA. IP44R 6600 V / 60 Hz B3 (IM 1001) - Dimension drawings												
1RA8 637-6GA10-0CJ0	11750	1320	1520	2520	1800	630	200	280	630	1500	3290	350
1RA8 638-6GA10-0CG0	12150	1320	1520	2520	1800	375	200	280	630	1500	2810	350
1RA8 638-6GA10-0CJ0	12250	1320	1520	2520	1800	630	200	280	630	1500	3290	350
1RA8 712-6GA10-0CG0	13400	1500	1620	2720	2000	375	220	280	710	1650	3010	400
1RA8 712-6GA10-0CJ0	13550	1500	1620	2720	2000	630	220	280	710	1650	3480	400
1RA8 713-6GA10-0CG0	14350	1500	1620	2720	2000	375	220	280	710	1650	3010	400
1RA8 713-6GA10-0CJ0	14450	1500	1620	2720	2000	630	220	280	710	1650	3480	400
1RA8 714-6GA10-0CG0	15300	1500	1620	2720	2000	375	220	280	710	1650	3010	400
1RA8 714-6GA10-0CJ0	15450	1500	1620	2720	2000	630	220	280	710	1650	3480	400
1RA8 717-6GA10-0CG0	16850	1500	1620	2720	2240	375	220	280	710	1650	3250	400
1RA8 717-6GA10-0CJ0	17000	1500	1620	2720	2240	630	220	280	710	1650	3720	400
1RA8 718-6GA10-0CG0	17750	1500	1620	2720	2240	375	220	280	710	1650	3250	400
1RA8 718-6GA10-0CJ0	17900	1500	1620	2720	2240	630	220	280	710	1650	3720	400
8-pole												
1RA8 633-8GA10-0CG0	9150	1320	1520	2520	1600	375	200	280	630	1500	2610	350
1RA8 633-8GA10-0CJ0	9250	1320	1520	2520	1600	630	200	280	630	1500	3090	350
1RA8 634-8GA10-0CG0	9950	1320	1520	2520	1600	375	200	280	630	1500	2610	350
1RA8 634-8GA10-0CJ0	10050	1320	1520	2520	1600	630	200	280	630	1500	3090	350
1RA8 637-8GA10-0CG0	11100	1320	1520	2520	1800	375	200	280	630	1500	2810	350
1RA8 637-8GA10-0CJ0	11200	1320	1520	2520	1800	630	200	280	630	1500	3290	350
1RA8 638-8GA10-0CG0	11800	1320	1520	2520	1800	375	200	280	630	1500	2810	350
1RA8 638-8GA10-0CJ0	11900	1320	1520	2520	1800	630	200	280	630	1500	3290	350
1RA8 712-8GA10-0CG0	12850	1500	1620	2720	2000	375	220	280	710	1650	3010	400
1RA8 712-8GA10-0CJ0	13050	1500	1620	2720	2000	630	220	280	710	1650	3480	400
1RA8 713-8GA10-0CG0	13700	1500	1620	2720	2000	375	220	280	710	1650	3010	400
1RA8 713-8GA10-0CJ0	13900	1500	1620	2720	2000	630	220	280	710	1650	3480	400
1RA8 714-8GA10-0CG0	14900	1500	1620	2720	2000	375	220	280	710	1650	3010	400
1RA8 714-8GA10-0CJ0	15050	1500	1620	2720	2000	630	220	280	710	1650	3480	400
1RA8 717-8GA10-0CG0	16550	1500	1620	2720	2240	375	220	280	710	1650	3250	400
1RA8 717-8GA10-0CJ0	16750	1500	1620	2720	2240	630	220	280	710	1650	3720	400
1RA8 718-8GA10-0CG0	17550	1500	1620	2720	2240	375	220	280	710	1650	3250	400
1RA8 718-8GA10-0CJ0	17750	1500	1620	2720	2240	630	220	280	710	1650	3720	400

Innomotics HV M - 1RA. IP44R 10000 V / 50 Hz B3 (IM 1001)																		
Rated power IEC kW	Article No.	Speed	Rated current	Efficiency				Power factor				Torque	Breakdown torque	Locked rotor torque	Locked rotor current	Inertia		
		rpm	I_R A	5/4 load %	4/4 load %	3/4 load %	2/4 load %	5/4 load $\cos \varphi$	4/4 load $\cos \varphi$	3/4 load $\cos \varphi$	2/4 load $\cos \varphi$	T_R Nm	T_B/ T_R [-]	T_{LR}/ T_R [-]	I_{LR}/ I_R [-]	motor kgm ²	external kgm ²	Startup max T/TR [-]
2-pole: $n_{sync} = 3000$ rpm at 50 Hz																		
6000	1RA8 632-2GA80-0CJ0	2980	405	96.4	96.9	96.9	96.4	0.85	0.88	0.88	0.87	19227	1.90	0.50	4.5	75	250	o.r.
6750	1RA8 633-2GA80-0CJ0	2980	455	96.5	97.1	97.1	96.7	0.85	0.88	0.89	0.88	21630	1.90	0.50	4.5	82	240	o.r.
7550	1RA8 634-2GA80-0CJ0	2980	510	96.6	97.1	97.2	96.8	0.85	0.88	0.89	0.89	24194	1.90	0.50	4.5	90	230	o.r.
8050	1RA8 637-2GA80-0CJ0	2983	530	96.9	97.3	97.2	96.9	0.89	0.90	0.91	0.90	25770	2.25	0.55	5.3	99	260	o.r.
8850	1RA8 638-2GA80-0CJ0	2983	580	97.0	97.4	97.4	97.1	0.89	0.91	0.91	0.91	28331	2.25	0.55	5.3	108	260	o.r.
9050	1RA8 712-2GA80-0CJ0	2983	610	96.5	96.9	96.9	96.5	0.83	0.88	0.89	0.89	28971	1.75	0.40	4.0	149	210	o.r.
10250	1RA8 713-2GA80-0CJ0	2984	680	96.8	97.2	97.1	96.7	0.86	0.90	0.90	0.89	32802	1.90	0.50	4.4	160	190	o.r.
11500	1RA8 714-2GA80-0CJ0	2984	760	97.0	97.3	97.3	96.8	0.86	0.90	0.90	0.89	36802	1.90	0.50	4.4	173	170	o.r.
12000	1RA8 716-2GA80-0CJ0	2986	780	97.1	97.3	97.3	96.8	0.88	0.91	0.91	0.90	38376	2.10	0.45	4.8	186	200	o.r.
13600	1RA8 717-2GA80-0CJ0	2986	880	97.2	97.5	97.4	97.0	0.89	0.91	0.91	0.90	43493	2.15	0.60	5.1	202	160	o.r.
14800	1RA8 718-2GA80-0CJ0	2987	950	97.4	97.6	97.6	97.1	0.90	0.92	0.92	0.90	47315	2.35	0.65	5.6	219	160	o.r.
4-pole: $n_{sync} = 1500$ rpm at 50 Hz																		
6000	1RA8 633-4GA80-0C.0	1490	400	96.7	97.2	97.4	97.3	0.87	0.89	0.88	0.84	38454	2.10	0.50	5.0	151	710	o.r.
6800	1RA8 634-4GA80-0C.0	1490	455	96.8	97.3	97.6	97.5	0.87	0.89	0.89	0.86	43581	2.10	0.50	5.0	166	740	o.r.
7700	1RA8 637-4GA80-0C.0	1490	510	97.0	97.4	97.6	97.5	0.87	0.89	0.88	0.85	49349	2.15	0.50	5.2	182	770	o.r.
8550	1RA8 638-4GA80-0C.0	1490	570	97.1	97.5	97.7	97.6	0.88	0.89	0.89	0.85	54796	2.25	0.55	5.5	198	810	o.r.
8900	1RA8 712-4GA80-0C.0	1491	590	97.0	97.5	97.7	97.5	0.87	0.89	0.89	0.86	57001	2.20	0.45	5.2	259	800	o.r.
9850	1RA8 713-4GA80-0C.0	1491	660	97.1	97.5	97.7	97.6	0.87	0.89	0.89	0.86	63086	2.20	0.45	5.2	284	840	o.r.
10500	1RA8 714-4GA80-0C.0	1492	690	97.2	97.6	97.8	97.7	0.89	0.90	0.90	0.87	67203	2.45	0.55	2.9	312	970	o.r.
11600	1RA8 717-4GA80-0C.0	1492	750	97.3	97.7	97.9	97.7	0.90	0.91	0.90	0.87	74244	2.55	0.60	6.0	346	1070	o.r.
12500	1RA8 718-4GA80-0C.2	1492	810	97.4	97.7	97.9	97.7	0.90	0.91	0.90	0.86	80004	2.60	0.60	6.0	365	1080	o.r.
6-pole: $n_{sync} = 1000$ rpm at 50 Hz																		
4700	1RA8 632-6GA80-0C.0	991	325	96.3	96.9	97.1	97.0	0.84	0.86	0.83	0.76	45289	2.15	0.55	4.9	193	2130	o.r.
5000	1RA8 633-6GA80-0C.2	991	345	96.3	96.9	97.2	97.2	0.84	0.86	0.84	0.79	48180	2.05	0.50	4.7	209	2320	o.r.
5400	1RA8 634-6GA80-0C.0	992	370	96.4	97.0	97.3	97.2	0.84	0.87	0.85	0.80	51982	2.05	0.50	4.7	227	2580	o.r.
5850	1RA8 637-6GA80-0C.0	992	400	96.5	97.1	97.4	97.3	0.85	0.87	0.85	0.80	56314	2.10	0.50	4.7	247	2860	o.r.
6400	1RA8 638-6GA80-0C.0	992	435	96.7	97.2	97.4	97.2	0.86	0.87	0.84	0.78	61608	2.25	0.60	5.1	265	3100	o.r.
6800	1RA8 712-6GA80-0C.0	993	465	96.8	97.3	97.6	97.5	0.85	0.87	0.85	0.80	65393	2.15	0.50	5.1	331	2590	o.r.
7550	1RA8 713-6GA80-0C.0	994	510	97.0	97.5	97.7	97.5	0.86	0.87	0.85	0.79	72532	2.30	0.60	5.4	374	2990	o.r.
8750	1RA8 714-6GA80-0C.0	994	600	97.1	97.5	97.7	97.6	0.85	0.87	0.85	0.79	84061	2.25	0.50	5.4	423	3310	o.r.
9500	1RA8 717-6GA80-0C.0	994	640	97.2	97.6	97.8	97.7	0.87	0.88	0.87	0.81	91266	2.30	0.60	5.5	478	3770	o.r.
10500	1RA8 718-6GA80-0C.0	994	720	97.3	97.7	97.8	97.6	0.86	0.86	0.83	0.76	100873	2.35	0.50	5.5	520	4500	o.r.
8-pole: $n_{sync} = 750$ rpm at 50 Hz																		
3750	1RA8 634-8GA80-0C.0	743	265	95.6	96.3	96.5	96.4	0.84	0.85	0.82	0.76	48196	1.90	0.40	4.2	251	4130	o.r.
4200	1RA8 637-8GA80-0C.0	744	290	96.0	96.5	96.6	96.3	0.85	0.86	0.81	0.73	53907	2.20	0.50	4.8	292	5610	o.r.
4450	1RA8 638-8GA80-0C.0	744	310	96.2	96.7	96.7	96.4	0.86	0.86	0.81	0.72	57116	2.30	0.55	5.1	326	7020	o.r.

Innomotics HV M - 1RA. IP44R 10000 V / 50 Hz B3 (IM 1001)																			
Rated power IEC	Article No.	Speed	Rated current I_R	Efficiency				Power factor				Torque T_R	Breakdown torque T_B / T_R	Locked rotor torque T_{LR} / T_R	Locked rotor current I_{LR} / I_R	Inertia			
				5/4 load	4/4 load	3/4 load	2/4 load	5/4 load	4/4 load	3/4 load	2/4 load					motor	external	Startup max T/TR	
kW		rpm	A	%	%	%	%	$\cos \varphi$	$\cos \varphi$	$\cos \varphi$	$\cos \varphi$	Nm	[-]	[-]	[-]	kgm ²	kgm ²	[-]	
4750	1RA8 712-8GA80-0C.0	745	310	96.3	96.7	96.8	96.5	0.86	0.86	0.81	0.72	60885	2.40	0.50	5.1	422	4890	o.r.	
5250	1RA8 713-8GA80-0C.0	745	345	96.4	96.8	96.9	96.6	0.87	0.87	0.83	0.74	67294	2.45	0.60	5.3	474	4570	o.r.	
6000	1RA8 714-8GA80-0C.0	746	390	96.6	97.0	97.0	96.6	0.86	0.86	0.81	0.72	76804	2.40	0.55	5.1	539	5540	o.r.	
6800	1RA8 717-8GA80-0C.0	746	440	96.7	97.0	97.0	96.6	0.85	0.85	0.80	0.70	87045	2.40	0.50	5.1	614	6160	o.r.	
7400	1RA8 718-8GA80-0C.0	746	495	96.8	97.1	97.0	96.6	0.86	0.85	0.80	0.69	94725	2.50	0.50	5.3	677	7320	o.r.	

Motor type	Weight				Dimensions								
	kg	A	AD	AE	B	C	D	E	H	HD	L	ML	
		mm	mm	mm	mm	mm	mm	mm	mm	mm	mm	mm	
Innomotics HV M - 1RA. IP44R 10000 V / 50 Hz B3 (IM 1001) - Dimension drawings													
2-pole													
1RA8 632-2GA80-0CJ0	8650	1320	1520	2520	1600	560	160	240	630	1500	2890	350	
1RA8 633-2GA80-0CJ0	9150	1320	1520	2520	1600	560	160	240	630	1500	2890	350	
1RA8 634-2GA80-0CJ0	9650	1320	1520	2520	1600	560	160	240	630	1500	2890	350	
1RA8 637-2GA80-0CJ0	10400	1320	1520	2520	1800	560	160	240	630	1500	3090	350	
1RA8 638-2GA80-0CJ0	11050	1320	1520	2520	1800	560	160	240	630	1500	3090	350	
1RA8 712-2GA80-0CJ0	12150	1500	1620	2720	2000	560	180	240	710	1650	3280	400	
1RA8 713-2GA80-0CJ0	12800	1500	1620	2720	2000	560	180	240	710	1650	3280	400	
1RA8 714-2GA80-0CJ0	13600	1500	1620	2720	2000	560	180	240	710	1650	3280	400	
1RA8 716-2GA80-0CJ0	14500	1500	1620	2720	2240	560	180	240	710	1650	3520	400	
1RA8 717-2GA80-0CJ0	15350	1500	1620	2720	2240	560	180	240	710	1650	3520	400	
1RA8 718-2GA80-0CJ0	16050	1500	1620	2720	2240	560	180	240	710	1650	3520	400	
4-pole													
1RA8 633-4GA80-0CG0	9800	1320	1520	2520	1600	375	200	280	630	1500	2610	350	
1RA8 633-4GA80-0CJ0	9900	1320	1520	2520	1600	630	200	280	630	1500	3090	350	
1RA8 634-4GA80-0CG0	10350	1320	1520	2520	1600	375	200	280	630	1500	2610	350	
1RA8 634-4GA80-0CJ0	10450	1320	1520	2520	1600	630	200	280	630	1500	3090	350	
1RA8 637-4GA80-0CG0	11200	1320	1520	2520	1800	375	200	280	630	1500	2810	350	
1RA8 637-4GA80-0CJ0	11300	1320	1520	2520	1800	630	200	280	630	1500	3290	350	
1RA8 638-4GA80-0CG0	11750	1320	1520	2520	1800	375	200	280	630	1500	2810	350	
1RA8 638-4GA80-0CJ0	11900	1320	1520	2520	1800	630	200	280	630	1500	3290	350	
1RA8 712-4GA80-0CG0	13300	1500	1620	2720	2000	375	220	280	710	1650	3010	400	
1RA8 712-4GA80-0CJ0	13400	1500	1620	2720	2000	630	220	280	710	1650	3480	400	
1RA8 713-4GA80-0CG0	14000	1500	1620	2720	2000	375	220	280	710	1650	3010	400	
1RA8 713-4GA80-0CJ0	14100	1500	1620	2720	2000	630	220	280	710	1650	3480	400	
1RA8 714-4GA80-0CG0	14700	1500	1620	2720	2000	375	220	280	710	1650	3010	400	
1RA8 714-4GA80-0CJ0	14850	1500	1620	2720	2000	630	220	280	710	1650	3480	400	
1RA8 717-4GA80-0CG0	15900	1500	1620	2720	2240	375	220	280	710	1650	3250	400	
1RA8 717-4GA80-0CJ0	16050	1500	1620	2720	2240	630	220	280	710	1650	3720	400	
1RA8 718-4GA80-0CG2	16500	1500	1620	2720	2240	375	220	280	710	1650	3250	400	
1RA8 718-4GA80-0CJ2	16650	1500	1620	2720	2240	630	220	280	710	1650	3720	400	
6-pole													
1RA8 632-6GA80-0CG0	9800	1320	1520	2520	1600	375	200	280	630	1500	2610	350	
1RA8 632-6GA80-0CJ0	9900	1320	1520	2520	1600	630	200	280	630	1500	3090	350	
1RA8 633-6GA80-0CG2	10200	1320	1520	2520	1600	375	200	280	630	1500	2610	350	
1RA8 633-6GA80-0CJ2	10350	1320	1520	2520	1600	630	200	280	630	1500	3090	350	
1RA8 634-6GA80-0CG0	10750	1320	1520	2520	1600	375	200	280	630	1500	2610	350	

Motor type	Weight	Dimensions										
	kg	A mm	AD mm	AE mm	B mm	C mm	D mm	E mm	H mm	HD mm	L mm	ML mm
Innomotics HV M - 1RA. IP44R 10000 V / 50 Hz B3 (IM 1001) - Dimension drawings												
1RA8 634-6GA80-0CJ0	10850	1320	1520	2520	1600	630	200	280	630	1500	3090	350
1RA8 637-6GA80-0CG0	11500	1320	1520	2520	1800	375	200	280	630	1500	2810	350
1RA8 637-6GA80-0CJ0	11600	1320	1520	2520	1800	630	200	280	630	1500	3290	350
1RA8 638-6GA80-0CG0	12000	1320	1520	2520	1800	375	200	280	630	1500	2810	350
1RA8 638-6GA80-0CJ0	12100	1320	1520	2520	1800	630	200	280	630	1500	3290	350
1RA8 712-6GA80-0CG0	13250	1500	1620	2720	2000	375	220	280	710	1650	3010	400
1RA8 712-6GA80-0CJ0	13350	1500	1620	2720	2000	630	220	280	710	1650	3480	400
1RA8 713-6GA80-0CG0	14150	1500	1620	2720	2000	375	220	280	710	1650	3010	400
1RA8 713-6GA80-0CJ0	14300	1500	1620	2720	2000	630	220	280	710	1650	3480	400
1RA8 714-6GA80-0CG0	15200	1500	1620	2720	2000	375	220	280	710	1650	3010	400
1RA8 714-6GA80-0CJ0	15350	1500	1620	2720	2000	630	220	280	710	1650	3480	400
1RA8 717-6GA80-0CG0	16650	1500	1620	2720	2240	375	220	280	710	1650	3250	400
1RA8 717-6GA80-0CJ0	16800	1500	1620	2720	2240	630	220	280	710	1650	3720	400
1RA8 718-6GA80-0CG0	17650	1500	1620	2720	2240	375	220	280	710	1650	3250	400
1RA8 718-6GA80-0CJ0	17800	1500	1620	2720	2240	630	220	280	710	1650	3720	400
8-pole												
1RA8 634-8GA80-0CG0	9900	1320	1520	2520	1600	375	200	280	630	1500	2610	350
1RA8 634-8GA80-0CJ0	10000	1320	1520	2520	1600	630	200	280	630	1500	3090	350
1RA8 637-8GA80-0CG0	11000	1320	1520	2520	1800	375	200	280	630	1500	2810	350
1RA8 637-8GA80-0CJ0	11100	1320	1520	2520	1800	630	200	280	630	1500	3290	350
1RA8 638-8GA80-0CG0	11700	1320	1520	2520	1800	375	200	280	630	1500	2810	350
1RA8 638-8GA80-0CJ0	11850	1320	1520	2520	1800	630	200	280	630	1500	3290	350
1RA8 712-8GA80-0CG0	12800	1500	1620	2720	2000	375	220	280	710	1650	3010	400
1RA8 712-8GA80-0CJ0	13000	1500	1620	2720	2000	630	220	280	710	1650	3480	400
1RA8 713-8GA80-0CG0	13600	1500	1620	2720	2000	375	220	280	710	1650	3010	400
1RA8 713-8GA80-0CJ0	13750	1500	1620	2720	2000	630	220	280	710	1650	3480	400
1RA8 714-8GA80-0CG0	14700	1500	1620	2720	2000	375	220	280	710	1650	3010	400
1RA8 714-8GA80-0CJ0	14900	1500	1620	2720	2000	630	220	280	710	1650	3480	400
1RA8 717-8GA80-0CG0	16250	1500	1620	2720	2240	375	220	280	710	1650	3250	400
1RA8 717-8GA80-0CJ0	16450	1500	1620	2720	2240	630	220	280	710	1650	3720	400
1RA8 718-8GA80-0CG0	17300	1500	1620	2720	2240	375	220	280	710	1650	3250	400
1RA8 718-8GA80-0CJ0	17500	1500	1620	2720	2240	630	220	280	710	1650	3720	400

Innomotics HV M - 1RA. IP44R 11000 V / 50 Hz B3 (IM 1001)																			
Rated power IEC	Article No.	Speed	Rated current I_R	Efficiency				Power factor				Torque T_R	Breakdown torque T_B/ T_R	Locked rotor torque T_{LR}/ T_R	Locked rotor current I_{LR}/ I_R	Inertia			
				5/4 load	4/4 load	3/4 load	2/4 load	5/4 load	4/4 load	3/4 load	2/4 load					motor	external	Startup max T/TR	
kW		rpm	A	%	%	%	%	cos φ	cos φ	cos φ	cos φ	Nm	[-]	[-]	[-]	kgm ²	kgm ²	[-]	
2-pole: $n_{sync} = 3000$ rpm at 50 Hz																			
5800	1RA8 632-2GA90-0CJ0	2982	355	96.3	96.9	96.8	96.4	0.86	0.88	0.89	0.87	18573	2.00	0.50	4.6	75	270	o.r.	
6550	1RA8 633-2GA90-0CJ0	2982	400	96.5	97.0	97.0	96.6	0.87	0.89	0.89	0.88	20975	2.05	0.50	4.8	82	270	o.r.	
7050	1RA8 634-2GA90-0CJ0	2982	430	96.6	97.1	97.1	96.7	0.87	0.89	0.90	0.89	22576	2.10	0.55	5.0	90	270	o.r.	
8050	1RA8 637-2GA90-0CJ0	2983	480	96.8	97.3	97.2	96.9	0.88	0.90	0.91	0.89	25770	2.20	0.60	5.3	99	270	o.r.	
8850	1RA8 638-2GA90-0CJ0	2984	520	97.0	97.4	97.4	97.0	0.89	0.91	0.91	0.89	28321	2.35	0.65	5.6	108	270	o.r.	
9150	1RA8 712-2GA90-0CJ0	2984	560	96.7	97.0	97.0	96.5	0.85	0.88	0.89	0.88	29282	1.75	0.50	4.1	149	220	o.r.	
9900	1RA8 713-2GA90-0CJ0	2985	600	96.8	97.1	97.1	96.6	0.86	0.89	0.89	0.89	31671	1.90	0.50	4.0	160	210	o.r.	
10600	1RA8 714-2GA90-0CJ0	2986	630	97.0	97.2	97.1	96.6	0.88	0.91	0.90	0.89	33899	2.10	0.55	4.4	173	210	o.r.	
12000	1RA8 716-2GA90-0CJ0	2986	720	97.1	97.3	97.3	96.8	0.88	0.90	0.90	0.89	38376	2.10	0.60	5.0	186	190	o.r.	
13200	1RA8 717-2GA90-0CJ0	2987	780	97.3	97.4	97.4	96.9	0.89	0.91	0.91	0.90	42200	2.20	0.60	5.2	202	170	o.r.	
13850	1RA8 718-2GA90-0CJ0	2988	820	97.2	97.4	97.4	97.0	0.89	0.91	0.91	0.90	44263	2.20	0.60	5.3	220	220	o.r.	
4-pole: $n_{sync} = 1500$ rpm at 50 Hz																			
5900	1RA8 633-4GA90-0C.0	1490	360	96.8	97.3	97.5	97.4	0.87	0.89	0.88	0.85	37813	2.15	0.50	5.2	151	740	o.r.	
6400	1RA8 634-4GA90-0C.0	1491	390	96.8	97.3	97.5	97.3	0.88	0.89	0.88	0.85	40990	2.25	0.50	5.5	166	860	o.r.	
7200	1RA8 637-4GA90-0C.0	1491	430	97.0	97.4	97.6	97.5	0.88	0.90	0.89	0.85	46113	2.35	0.60	5.6	182	860	o.r.	
8200	1RA8 638-4GA90-0C.0	1491	495	97.1	97.5	97.7	97.5	0.88	0.89	0.88	0.85	52518	2.35	0.60	5.6	198	900	o.r.	
8600	1RA8 712-4GA90-0C.0	1491	520	97.0	97.4	97.6	97.4	0.88	0.89	0.88	0.85	55080	2.35	0.50	5.6	259	870	o.r.	
9300	1RA8 713-4GA90-0C.0	1492	560	97.1	97.5	97.7	97.5	0.89	0.90	0.89	0.86	59523	2.40	0.50	5.7	284	960	o.r.	
10000	1RA8 714-4GA90-0C.0	1492	600	97.2	97.6	97.7	97.6	0.89	0.90	0.89	0.85	64003	2.55	0.55	6.0	312	1080	o.r.	
11500	1RA8 717-4GA90-0C.0	1492	690	97.3	97.7	97.8	97.6	0.90	0.90	0.89	0.85	73604	2.60	0.55	6.0	346	1100	o.r.	
11900	1RA8 718-4GA90-0C.0	1493	710	97.4	97.7	97.8	97.6	0.89	0.90	0.89	0.85	76113	2.60	0.55	6.0	364	1240	o.r.	
6-pole: $n_{sync} = 1000$ rpm at 50 Hz																			
4450	1RA8 632-6GA90-0C.0	992	280	96.3	96.8	97.1	96.9	0.85	0.86	0.83	0.75	42837	2.30	0.60	5.2	193	2370	o.r.	
4650	1RA8 633-6GA90-0C.0	992	295	96.4	96.9	97.2	96.9	0.85	0.86	0.83	0.75	44762	2.30	0.55	5.3	209	2660	o.r.	
5200	1RA8 634-6GA90-0C.0	992	325	96.5	97.0	97.3	97.1	0.85	0.87	0.84	0.78	50057	2.20	0.55	5.1	227	2800	o.r.	
5600	1RA8 637-6GA90-0C.0	992	350	96.5	97.0	97.3	97.2	0.85	0.87	0.85	0.78	53907	2.20	0.56	5.2	247	3110	o.r.	
6100	1RA8 638-6GA90-0C.0	992	380	96.6	97.1	97.4	97.2	0.86	0.87	0.85	0.78	58720	2.25	0.55	5.2	265	3300	o.r.	
6600	1RA8 712-6GA90-0C.0	993	410	96.8	97.3	97.5	97.4	0.85	0.87	0.85	0.79	63470	2.20	0.55	5.2	331	2710	o.r.	
7250	1RA8 713-6GA90-0C.0	994	450	97.0	97.4	97.6	97.5	0.86	0.87	0.85	0.79	69650	2.35	0.60	5.5	374	3180	o.r.	
8250	1RA8 714-6GA90-0C.0	994	500	97.1	97.5	97.7	97.5	0.87	0.88	0.85	0.79	79257	2.40	0.60	5.5	424	3530	o.r.	
9350	1RA8 717-6GA90-0C.0	994	570	97.1	97.6	97.8	97.6	0.87	0.88	0.86	0.80	89825	2.35	0.55	5.5	478	3930	o.r.	
10400	1RA8 718-6GA90-0C.0	995	640	97.3	97.6	97.8	97.6	0.86	0.87	0.84	0.76	99812	2.45	0.55	5.5	522	4410	o.r.	
8-pole: $n_{sync} = 750$ rpm at 50 Hz																			
3100	1RA8 633-8GA90-0C.0	743	200	95.4	96.1	96.3	96.1	0.84	0.85	0.81	0.74	39842	2.00	0.45	4.5	216	2690	o.r.	
3500	1RA8 634-8GA90-0C.0	744	225	95.6	96.2	96.4	96.1	0.85	0.85	0.81	0.73	44923	2.10	0.50	4.5	251	2830	o.r.	
4000	1RA8 637-8GA90-0C.0	744	255	96.0	96.5	96.5	96.2	0.85	0.85	0.81	0.72	51340	2.30	0.50	5.0	292	5000	o.r.	

Innomotics HV M - 1RA. IP44R 11000 V / 50 Hz B3 (IM 1001)																		
Rated power IEC	Article No.	Speed	Rated current I_R	Efficiency				Power factor				Torque T_R	Breakdown torque T_B/ T_R	Locked rotor torque T_{LR}/ T_R	Locked rotor current I_{LR}/ I_R	Inertia		
				5/4 load	4/4 load	3/4 load	2/4 load	5/4 load	4/4 load	3/4 load	2/4 load					motor	external	Startup max T/TR
kW		rpm	A	%	%	%	%	$\cos \varphi$	$\cos \varphi$	$\cos \varphi$	$\cos \varphi$	Nm	[-]	[-]	[-]	kgm ²	kgm ²	[-]
4250	1RA8 638-8GA90-0C.0	744	270	96.2	96.6	96.7	96.3	0.86	0.86	0.81	0.72	54549	2.40	0.55	5.2	326	6200	o.r.
4300	1RA8 712-8GA90-0C.0	746	275	96.2	96.6	96.6	96.2	0.86	0.85	0.80	0.69	55043	2.60	0.60	5.5	422	2890	o.r.
4850	1RA8 713-8GA90-0C.0	746	310	96.4	96.7	96.7	96.2	0.86	0.85	0.79	0.68	62083	2.55	0.60	5.4	471	3510	o.r.
5550	1RA8 714-8GA90-0C.0	746	355	96.5	96.8	96.8	96.3	0.86	0.85	0.79	0.68	71044	2.60	0.60	5.5	538	3900	o.r.
6500	1RA8 717-8GA90-0C.0	746	415	96.7	97.0	96.9	96.5	0.86	0.85	0.79	0.69	83204	2.60	0.50	5.5	615	5400	o.r.
6700	1RA8 718-8GA90-0C.0	746	430	96.8	97.1	96.9	96.4	0.85	0.84	0.78	0.67	85764	2.60	0.50	5.4	674	6570	o.r.

Motor type	Weight				Dimensions								
	kg	A	AD	AE	B	C	D	E	H	HD	L	ML	
		mm	mm	mm	mm	mm	mm	mm	mm	mm	mm	mm	mm
Innomotics HV M - 1RA. IP44R 11000 V / 50 Hz B3 (IM 1001) - Dimension drawings													
2-pole													
1RA8 632-2GA90-0CJ0	8550	1320	1520	2520	1600	560	160	240	630	1500	2890	350	
1RA8 633-2GA90-0CJ0	9100	1320	1520	2520	1600	560	160	240	630	1500	2890	350	
1RA8 634-2GA90-0CJ0	9500	1320	1520	2520	1600	560	160	240	630	1500	2890	350	
1RA8 637-2GA90-0CJ0	10350	1320	1520	2520	1800	560	160	240	630	1500	3090	350	
1RA8 638-2GA90-0CJ0	10950	1320	1520	2520	1800	560	160	240	630	1500	3090	350	
1RA8 712-2GA90-0CJ0	12250	1500	1620	2720	2000	560	180	240	710	1650	3280	400	
1RA8 713-2GA90-0CJ0	12750	1500	1620	2720	2000	560	180	240	710	1650	3280	400	
1RA8 714-2GA90-0CJ0	13400	1500	1620	2720	2000	560	180	240	710	1650	3280	400	
1RA8 716-2GA90-0CJ0	14450	1500	1620	2720	2240	560	180	240	710	1650	3520	400	
1RA8 717-2GA90-0CJ0	15250	1500	1620	2720	2240	560	180	240	710	1650	3520	400	
1RA8 718-2GA90-0CJ0	16550	1500	1620	2720	2240	560	180	240	710	1650	3520	400	
4-pole													
1RA8 633-4GA90-0CG0	9800	1320	1520	2520	1600	375	200	280	630	1500	2610	350	
1RA8 633-4GA90-0CJ0	9900	1320	1520	2520	1600	630	200	280	630	1500	3090	350	
1RA8 634-4GA90-0CG0	10200	1320	1520	2520	1600	375	200	280	630	1500	2610	350	
1RA8 634-4GA90-0CJ0	10300	1320	1520	2520	1600	630	200	280	630	1500	3090	350	
1RA8 637-4GA90-0CG0	11050	1320	1520	2520	1800	375	200	280	630	1500	2810	350	
1RA8 637-4GA90-0CJ0	11150	1320	1520	2520	1800	630	200	280	630	1500	3290	350	
1RA8 638-4GA90-0CG0	11700	1320	1520	2520	1800	375	200	280	630	1500	2810	350	
1RA8 638-4GA90-0CJ0	11800	1320	1520	2520	1800	630	200	280	630	1500	3290	350	
1RA8 712-4GA90-0CG0	13200	1500	1620	2720	2000	375	220	280	710	1650	3010	400	
1RA8 712-4GA90-0CJ0	13300	1500	1620	2720	2000	630	220	280	710	1650	3480	400	
1RA8 713-4GA90-0CG0	13900	1500	1620	2720	2000	375	220	280	710	1650	3010	400	
1RA8 713-4GA90-0CJ0	14050	1500	1620	2720	2000	630	220	280	710	1650	3480	400	
1RA8 714-4GA90-0CG0	14600	1500	1620	2720	2000	375	220	280	710	1650	3010	400	
1RA8 714-4GA90-0CJ0	14750	1500	1620	2720	2000	630	220	280	710	1650	3480	400	
1RA8 717-4GA90-0CG0	15900	1500	1620	2720	2240	375	220	280	710	1650	3250	400	
1RA8 717-4GA90-0CJ0	16050	1500	1620	2720	2240	630	220	280	710	1650	3720	400	
1RA8 718-4GA90-0CG0	16400	1500	1620	2720	2240	375	220	280	710	1650	3250	400	
1RA8 718-4GA90-0CJ0	16550	1500	1620	2720	2240	630	220	280	710	1650	3720	400	
6-pole													
1RA8 632-6GA90-0CG0	9700	1320	1520	2520	1600	375	200	280	630	1500	2610	350	
1RA8 632-6GA90-0CJ0	9800	1320	1520	2520	1600	630	200	280	630	1500	3090	350	
1RA8 633-6GA90-0CG0	10150	1320	1520	2520	1600	375	200	280	630	1500	2610	350	
1RA8 633-6GA90-0CJ0	10250	1320	1520	2520	1600	630	200	280	630	1500	3090	350	
1RA8 634-6GA90-0CG0	10700	1320	1520	2520	1600	375	200	280	630	1500	2610	350	

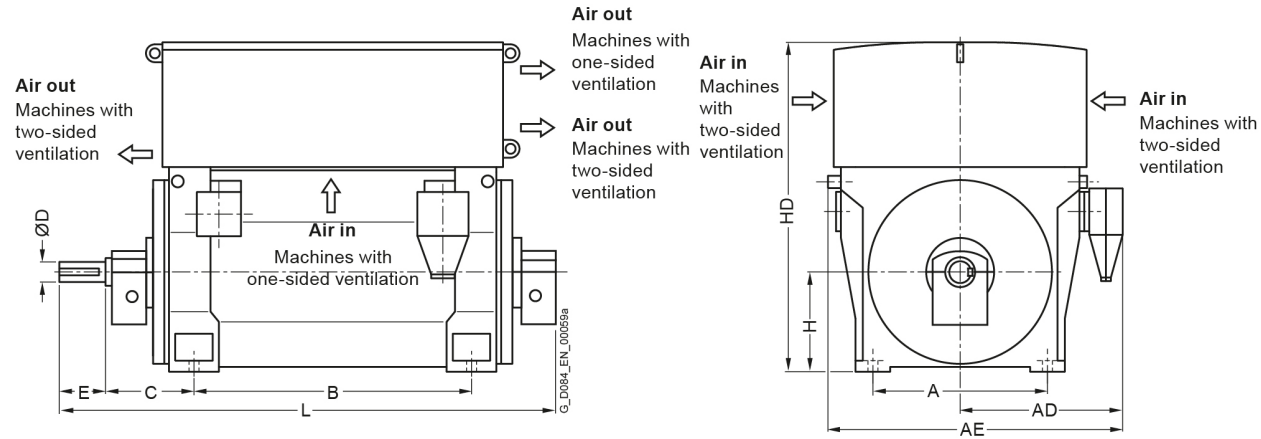
Motor type	Weight	Dimensions										
	kg	A mm	AD mm	AE mm	B mm	C mm	D mm	E mm	H mm	HD mm	L mm	ML mm
Innomotics HV M - 1RA. IP44R 11000 V / 50 Hz B3 (IM 1001) - Dimension drawings												
1RA8 634-6GA90-0CJ0	10800	1320	1520	2520	1600	630	200	280	630	1500	3090	350
1RA8 637-6GA90-0CG0	11400	1320	1520	2520	1800	375	200	280	630	1500	2810	350
1RA8 637-6GA90-0CJ0	11500	1320	1520	2520	1800	630	200	280	630	1500	3290	350
1RA8 638-6GA90-0CG0	11950	1320	1520	2520	1800	375	200	280	630	1500	2810	350
1RA8 638-6GA90-0CJ0	12050	1320	1520	2520	1800	630	200	280	630	1500	3290	350
1RA8 712-6GA90-0CG0	13150	1500	1620	2720	2000	375	220	280	710	1650	3010	400
1RA8 712-6GA90-0CJ0	13300	1500	1620	2720	2000	630	220	280	710	1650	3480	400
1RA8 713-6GA90-0CG0	14100	1500	1620	2720	2000	375	220	280	710	1650	3010	400
1RA8 713-6GA90-0CJ0	14200	1500	1620	2720	2000	630	220	280	710	1650	3480	400
1RA8 714-6GA90-0CG0	15100	1500	1620	2720	2000	375	220	280	710	1650	3010	400
1RA8 714-6GA90-0CJ0	15200	1500	1620	2720	2000	630	220	280	710	1650	3480	400
1RA8 717-6GA90-0CG0	16600	1500	1620	2720	2240	375	220	280	710	1650	3250	400
1RA8 717-6GA90-0CJ0	16750	1500	1620	2720	2240	630	220	280	710	1650	3720	400
1RA8 718-6GA90-0CG0	17650	1500	1620	2720	2240	375	220	280	710	1650	3250	400
1RA8 718-6GA90-0CJ0	17750	1500	1620	2720	2240	630	220	280	710	1650	3720	400
8-pole												
1RA8 633-8GA90-0CG0	9050	1320	1520	2520	1600	375	200	280	630	1500	2610	350
1RA8 633-8GA90-0CJ0	9150	1320	1520	2520	1600	630	200	280	630	1500	3090	350
1RA8 634-8GA90-0CG0	9750	1320	1520	2520	1600	375	200	280	630	1500	2610	350
1RA8 634-8GA90-0CJ0	9850	1320	1520	2520	1600	630	200	280	630	1500	3090	350
1RA8 637-8GA90-0CG0	10950	1320	1520	2520	1800	375	200	280	630	1500	2810	350
1RA8 637-8GA90-0CJ0	11050	1320	1520	2520	1800	630	200	280	630	1500	3290	350
1RA8 638-8GA90-0CG0	11650	1320	1520	2520	1800	375	200	280	630	1500	2810	350
1RA8 638-8GA90-0CJ0	11750	1320	1520	2520	1800	630	200	280	630	1500	3290	350
1RA8 712-8GA90-0CG0	12650	1500	1620	2720	2000	375	220	280	710	1650	3010	400
1RA8 712-8GA90-0CJ0	12850	1500	1620	2720	2000	630	220	280	710	1650	3480	400
1RA8 713-8GA90-0CG0	13500	1500	1620	2720	2000	375	220	280	710	1650	3010	400
1RA8 713-8GA90-0CJ0	13700	1500	1620	2720	2000	630	220	280	710	1650	3480	400
1RA8 714-8GA90-0CG0	14600	1500	1620	2720	2000	375	220	280	710	1650	3010	400
1RA8 714-8GA90-0CJ0	14800	1500	1620	2720	2000	630	220	280	710	1650	3480	400
1RA8 717-8GA90-0CG0	16200	1500	1620	2720	2240	375	220	280	710	1650	3250	400
1RA8 717-8GA90-0CJ0	16400	1500	1620	2720	2240	630	220	280	710	1650	3720	400
1RA8 718-8GA90-0CG0	17200	1500	1620	2720	2240	375	220	280	710	1650	3250	400
1RA8 718-8GA90-0CJ0	17400	1500	1620	2720	2240	630	220	280	710	1650	3720	400

Innomotics HV M - 1RA. IP44R 13800 V / 60 Hz B3 (IM 1001)																			
Rated power IEC	Article No.	Speed	Rated current I_R	Efficiency				Power factor				Torque T_R	Breakdown torque T_B/ T_R	Locked torque T_{LR}/ T_R	rotor Locked current I_{LR}/ I_R	Inertia			
				5/4 load	4/4 load	3/4 load	2/4 load	5/4 load	4/4 load	3/4 load	2/4 load					rotor	external	Startup max T/TR	
kW		rpm	A	%	%	%	%	$\cos \varphi$	$\cos \varphi$	$\cos \varphi$	$\cos \varphi$	Nm	[-]	[-]	[-]	kgm ²	kgm ²	kgm ²	[-]
2-pole: $n_{sync} = 3600$ rpm at 60 Hz																			
6600	1RA8 633-2GA20-0CJ0	3585	315	96.6	96.8	96.5	95.6	0.88	0.90	0.89	0.87	17580	2.20	0.55	5.4	82	200	o.r.	
8050	1RA8 637-2GA20-0CJ0	3587	380	96.9	97.1	96.7	95.8	0.90	0.91	0.90	0.87	21431	2.60	0.65	6.0	98	200	o.r.	
10750	1RA8 714-2GA20-0CJ0	3588	520	96.9	96.9	96.5	95.5	0.89	0.90	0.90	0.88	28611	2.30	0.60	5.8	173	110	o.r.	
12550	1RA8 717-2GA20-0CJ0	3589	590	97.1	97.1	96.8	95.9	0.90	0.91	0.91	0.89	33392	2.45	0.60	6.0	202	110	o.r.	
4-pole: $n_{sync} = 1800$ rpm at 60 Hz																			
5850	1RA8 633-4GA20-0C.0	1792	280	96.8	97.2	97.3	96.9	0.89	0.90	0.89	0.85	31174	2.40	0.55	5.9	151	550	o.r.	
7200	1RA8 637-4GA20-0C.0	1793	345	97.1	97.4	97.4	97.0	0.89	0.90	0.88	0.84	38346	2.55	0.60	6.0	181	660	o.r.	
9250	1RA8 713-4GA20-0C.0	1793	440	97.1	97.4	97.4	97.0	0.89	0.90	0.89	0.84	49264	2.60	0.50	6.0	282	690	o.r.	
11050	1RA8 717-4GA20-0C.0	1793	530	97.3	97.5	97.6	97.2	0.89	0.90	0.90	0.86	58851	2.55	0.45	6.0	342	780	o.r.	
6-pole: $n_{sync} = 1200$ rpm at 60 Hz																			
4950	1RA8 633-6GA20-0C.0	1193	245	96.5	97.0	97.1	96.8	0.85	0.87	0.84	0.77	39622	2.30	0.55	5.5	209	1400	o.r.	
6050	1RA8 637-6GA20-0C.0	1194	300	96.8	97.1	97.2	96.8	0.86	0.87	0.83	0.76	48386	2.50	0.60	5.5	246	1900	o.r.	
8650	1RA8 714-6GA20-0C.0	1195	425	97.2	97.5	97.6	97.3	0.86	0.87	0.85	0.78	69123	2.40	0.50	5.5	422	1910	o.r.	
9550	1RA8 717-6GA20-0C.0	1195	470	97.3	97.5	97.6	97.2	0.86	0.87	0.84	0.77	76314	2.45	0.50	5.5	474	2060	o.r.	

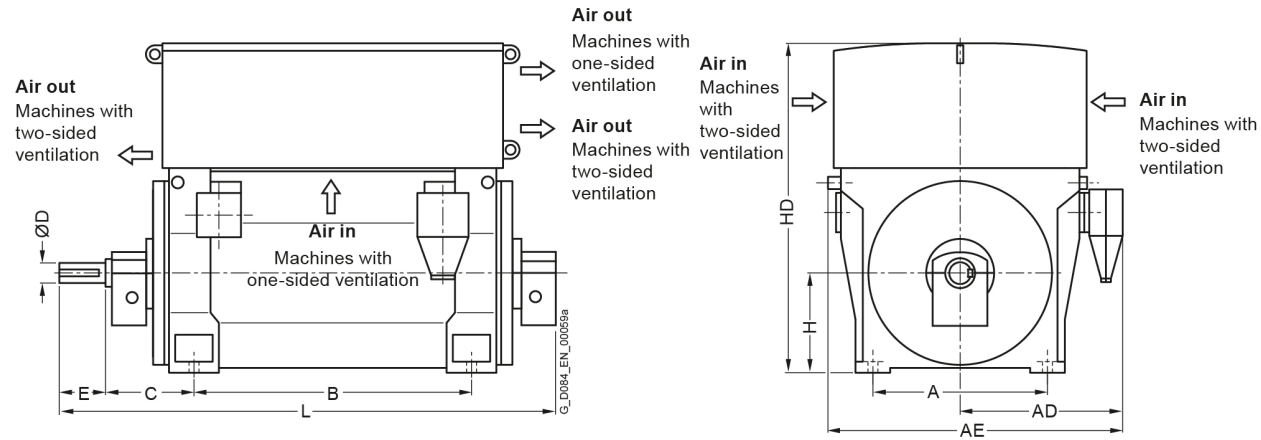
Motor type	Weight	Dimensions										
	kg	A mm	AD mm	AE mm	B mm	C mm	D mm	E mm	H mm	HD mm	L mm	ML mm
Innomotics HV M - 1RA. IP44R 13800 V / 60 Hz B3 (IM 1001) - Dimension drawings												
2-pole												
1RA8 633-2GA20-0CJ0	8900	1320	1647	2647	1600	560	160	240	630	1500	2890	350
1RA8 637-2GA20-0CJ0	10150	1320	1647	2647	1800	560	160	240	630	1500	3090	350
1RA8 714-2GA20-0CJ0	13200	1500	1747	2847	2000	560	180	240	710	1650	3280	400
1RA8 717-2GA20-0CJ0	14950	1500	1747	2847	2240	560	180	240	710	1650	3520	400
4-pole												
1RA8 633-4GA20-0CG0	9550	1320	1647	2647	1600	375	200	280	630	1500	2610	350
1RA8 633-4GA20-0CJ0	9650	1320	1647	2647	1600	630	200	280	630	1500	3090	350
1RA8 637-4GA20-0CG0	10850	1320	1647	2647	1800	375	200	280	630	1500	2810	350
1RA8 637-4GA20-0CJ0	10950	1320	1647	2647	1800	630	200	280	630	1500	3290	350
1RA8 713-4GA20-0CG0	13600	1500	1747	2847	2000	375	220	280	710	1650	3010	400
1RA8 713-4GA20-0CJ0	13750	1500	1747	2847	2000	630	220	280	710	1650	3480	400
1RA8 717-4GA20-0CG0	15600	1500	1747	2847	2240	375	220	280	710	1650	3250	400
1RA8 717-4GA20-0CJ0	15700	1500	1747	2847	2240	630	220	280	710	1650	3720	400
6-pole												
1RA8 633-6GA20-0CG0	10000	1320	1647	2647	1600	375	200	280	630	1500	2610	350
1RA8 633-6GA20-0CJ0	10100	1320	1647	2647	1600	630	200	280	630	1500	3090	350
1RA8 637-6GA20-0CG0	11250	1320	1647	2647	1800	375	200	280	630	1500	2810	350
1RA8 637-6GA20-0CJ0	11350	1320	1647	2647	1800	630	200	280	630	1500	3290	350
1RA8 714-6GA20-0CG0	14900	1500	1747	2847	2000	375	220	280	710	1650	3010	400
1RA8 714-6GA20-0CJ0	15050	1500	1747	2847	2000	630	220	280	710	1650	3480	400
1RA8 717-6GA20-0CG0	16300	1500	1747	2847	2240	375	220	280	710	1650	3250	400
1RA8 717-6GA20-0CJ0	16400	1500	1747	2847	2240	630	220	280	710	1650	3720	400

Innomotics HV M - 1RP. WPII 6000 V / 50 Hz B3 (IM 1001)																		
Rated power IEC kW	Article No.	Speed rpm	Rated current I _R A	Efficiency				Power factor				Torque T _R Nm	Breakdown torque T _B / T _R [-]	Locked rotor torque T _{LR} / T _R [-]	Locked rotor current I _{LR} / I _R [-]	Inertia		
				5/4 load	4/4 load	3/4 load	2/4 load	5/4 load	4/4 load	3/4 load	2/4 load					motor	external	Startup max T/TR
2-pole: n_{sync} = 3000 rpm at 50 Hz																		
7200	1RP8 633-2HA60-0CJ0	2978	800	96.5	97.1	97.1	96.8	0.85	0.89	0.89	0.89	23088	1.90	0.50	4.3	82	200	o.r.
7900	1RP8 634-2HA60-0CJ0	2980	880	96.7	97.2	97.2	96.9	0.86	0.89	0.90	0.89	25315	2.00	0.50	4.6	90	210	o.r.
8750	1RP8 637-2HA60-0CJ0	2981	960	97.0	97.4	97.4	97.1	0.88	0.90	0.91	0.90	28030	2.10	0.55	5.0	99	220	o.r.
9700	1RP8 638-2HA60-0CJ0	2981	1060	97.0	97.5	97.5	97.2	0.88	0.90	0.91	0.90	31073	2.15	0.60	5.0	108	210	o.r.
10150	1RP8 712-2HA60-0CJ0	2982	1140	96.6	97.1	97.1	96.7	0.83	0.88	0.89	0.89	32503	1.70	0.45	4.0	149	150	o.r.
11150	1RP8 713-2HA60-0CJ0	2981	1280	96.6	97.1	97.2	96.9	0.82	0.87	0.88	0.89	35718	1.65	0.45	3.8	160	130	o.r.
11600	1RP8 714-2HA60-0CJ0	2983	1300	96.8	97.2	97.3	96.9	0.85	0.89	0.90	0.90	37134	1.80	0.40	4.2	173	160	o.r.
13000	1RP8 716-2HA60-0CJ0	2984	1420	97.1	97.4	97.4	97.0	0.87	0.90	0.91	0.90	41602	1.90	0.50	4.5	186	140	o.r.
14650	1RP8 717-2HA60-0CJ0	2984	1600	97.3	97.6	97.5	97.2	0.87	0.90	0.91	0.90	46882	1.90	0.50	4.5	201	120	o.r.
15000	1RP8 718-2HA60-0CJ0	2983	1620	97.2	97.6	97.7	97.4	0.87	0.91	0.92	0.92	48019	1.90	0.50	4.4	220	120	o.r.
4-pole: n_{sync} = 1500 rpm at 50 Hz																		
6650	1RP8 633-4HA60-0C.0	1489	750	96.7	97.3	97.6	97.5	0.86	0.88	0.89	0.86	42648	2.00	0.50	4.7	151	540	o.r.
7150	1RP8 634-4HA60-0C.0	1489	790	96.7	97.3	97.6	97.6	0.86	0.89	0.89	0.87	45855	2.00	0.50	4.8	166	640	o.r.
8100	1RP8 637-4HA60-0C.0	1489	900	96.9	97.4	97.7	97.6	0.87	0.89	0.89	0.86	51947	2.10	0.50	5.0	182	650	o.r.
9300	1RP8 638-4HA60-0C.0	1490	1040	97.1	97.6	97.8	97.7	0.87	0.89	0.88	0.85	59603	2.10	0.50	5.0	198	670	o.r.
9600	1RP8 712-4HA60-0C.0	1490	1060	97.1	97.6	97.8	97.7	0.87	0.89	0.89	0.86	61526	2.15	0.45	4.9	259	650	o.r.
10450	1RP8 713-4HA60-0C.0	1490	1140	97.2	97.6	97.8	97.7	0.88	0.90	0.89	0.87	66973	2.20	0.50	5.2	284	720	o.r.
11500	1RP8 714-4HA60-0C.0	1490	1260	97.3	97.7	97.9	97.8	0.88	0.90	0.90	0.87	73703	2.25	0.50	5.3	312	800	o.r.
12750	1RP8 717-4HA60-0C.0	1491	1400	97.3	97.7	97.9	97.8	0.89	0.90	0.90	0.88	81659	2.30	0.55	5.5	346	850	o.r.
13600	1RP8 718-4HA60-0C.0	1492	1480	97.4	97.8	97.9	97.8	0.89	0.90	0.89	0.85	87045	2.50	0.55	5.8	365	930	o.r.
6-pole: n_{sync} = 1000 rpm at 50 Hz																		
5000	1RP8 632-6HA60-0C.0	991	580	96.3	96.9	97.2	97.1	0.84	0.86	0.83	0.77	48180	2.10	0.55	4.7	193	1880	o.r.
5200	1RP8 633-6HA60-0C.0	991	590	96.4	97.0	97.3	97.2	0.84	0.87	0.84	0.79	50107	2.10	0.55	4.7	209	2160	o.r.
6000	1RP8 634-6HA60-0C.0	991	690	96.5	97.1	97.4	97.3	0.84	0.86	0.84	0.79	57816	2.00	0.52	4.7	227	2080	o.r.
6400	1RP8 637-6HA60-0C.0	991	730	96.5	97.1	97.4	97.3	0.84	0.87	0.85	0.80	61671	2.00	0.52	4.7	247	2400	o.r.
6900	1RP8 638-6HA60-0C.0	991	790	96.6	97.2	97.5	97.4	0.85	0.87	0.85	0.80	66489	2.05	0.52	4.7	265	2580	o.r.
7350	1RP8 712-6HA60-0C.0	993	840	96.9	97.4	97.6	97.5	0.85	0.86	0.84	0.79	70682	2.15	0.55	5.0	331	2240	o.r.
8150	1RP8 713-6HA60-0C.0	993	920	97.0	97.5	97.7	97.7	0.85	0.87	0.86	0.82	78375	2.10	0.55	5.0	374	2520	o.r.
9400	1RP8 714-6HA60-0C.0	993	1060	97.1	97.5	97.8	97.7	0.85	0.87	0.85	0.80	90396	2.15	0.50	5.0	424	2810	o.r.
10550	1RP8 717-6HA60-0C.0	994	1200	97.3	97.7	97.9	97.7	0.86	0.87	0.85	0.80	101353	2.30	0.60	5.4	478	3250	o.r.
11300	1RP8 718-6HA60-0C.0	994	1280	97.4	97.7	97.9	97.7	0.86	0.87	0.85	0.77	108558	2.50	0.60	5.5	524	3760	o.r.
8-pole: n_{sync} = 750 rpm at 50 Hz																		
3350	1RP8 633-8HA60-0C.0	742	395	95.2	96.0	96.4	96.3	0.83	0.85	0.83	0.77	43113	1.80	0.40	3.8	216	3390	o.r.
3900	1RP8 634-8HA60-0C.0	742	455	95.6	96.3	96.5	96.4	0.84	0.86	0.83	0.76	50192	1.90	0.45	4.1	251	3760	o.r.
4550	1RP8 637-8HA60-0C.0	743	530	96.0	96.5	96.7	96.5	0.85	0.86	0.82	0.75	58478	2.05	0.50	4.4	292	5960	o.r.
4800	1RP8 638-8HA60-0C.0	743	560	96.2	96.7	96.8	96.6	0.85	0.86	0.83	0.76	61691	2.10	0.50	4.5	326	6970	o.r.

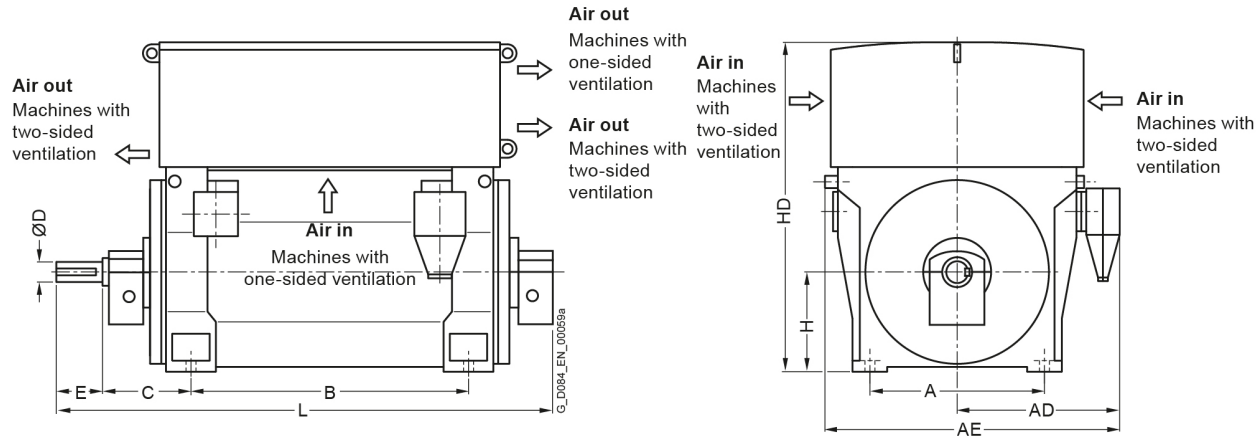
Innomotics HV M - 1RP. WPII 6000 V / 50 Hz B3 (IM 1001)																			
Rated power IEC	Article No.	Speed	Rated current I_R	Efficiency				Power factor				Torque T_R	Breakdown torque T_B / T_R	Locked rotor torque T_{LR} / T_R	Locked rotor current I_{LR} / I_R	Inertia			
				5/4 load	4/4 load	3/4 load	2/4 load	5/4 load	4/4 load	3/4 load	2/4 load					motor	external	Startup max T/TR	
kW		rpm	A	%	%	%	%	$\cos \varphi$	$\cos \varphi$	$\cos \varphi$	$\cos \varphi$	Nm	[-]	[-]	[-]	kgm ²	kgm ²	[-]	
5400	1RP8 712-8HA60-0C.0	744	580	96.4	96.8	97.0	96.8	0.85	0.86	0.82	0.75	69309	2.15	0.45	4.6	422	5600	o.r.	
5900	1RP8 713-8HA60-0C.0	745	650	96.4	96.9	97.0	96.8	0.86	0.86	0.83	0.75	75625	2.25	0.50	4.8	474	6410	o.r.	
6900	1RP8 714-8HA60-0C.0	745	720	96.6	97.0	97.1	96.9	0.86	0.87	0.83	0.76	88443	2.25	0.50	4.8	542	7220	o.r.	
7800	1RP8 717-8HA60-0C.0	745	820	96.8	97.1	97.2	96.9	0.86	0.87	0.82	0.74	99979	2.35	0.50	5.0	619	8530	o.r.	
8300	1RP8 718-8HA60-0C.0	745	910	96.9	97.2	97.2	97.0	0.87	0.87	0.83	0.75	106388	2.45	0.60	5.2	682	9540	o.r.	



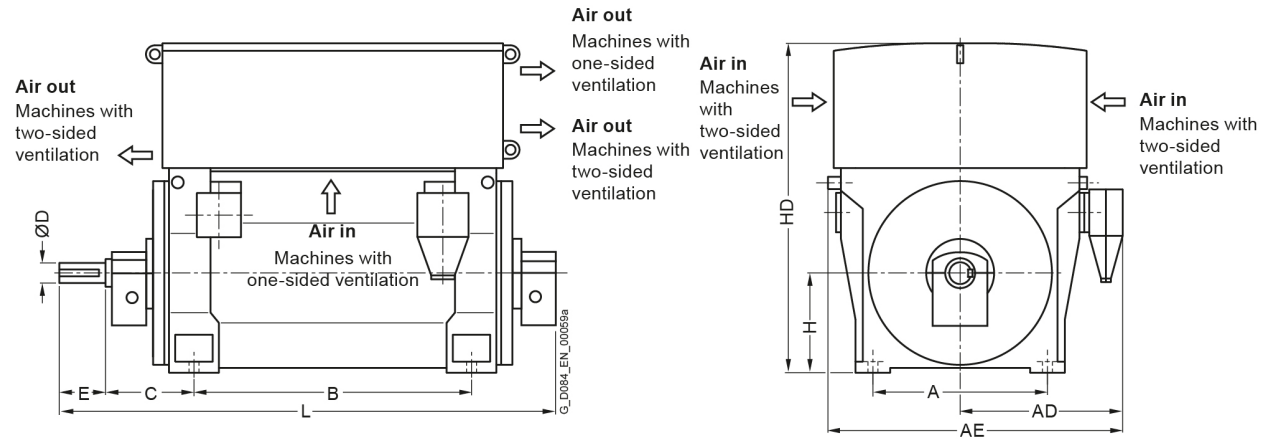
Motor type	Weight	Dimensions										
		A	AD	AE	B	C	D	E	H	HD	L	ML
	kg	mm	mm	mm	mm	mm	mm	mm	mm	mm	mm	mm
Innomotics HV M - 1RP. WPII 6000 V / 50 Hz B3 (IM 1001) - Dimension drawings												
2-pole												
1RP8 633-2HA60-0CJ0	10600	1320	1520	2520	1600	560	160	240	630	3060	2890	350
1RP8 634-2HA60-0CJ0	11100	1320	1520	2520	1600	560	160	240	630	3060	2890	350
1RP8 637-2HA60-0CJ0	12000	1320	1520	2520	1800	560	160	240	630	3060	3090	350
1RP8 638-2HA60-0CJ0	12550	1320	1520	2520	1800	560	160	240	630	3060	3090	350
1RP8 712-2HA60-0CJ0	13950	1500	1620	2720	2000	560	180	240	710	3250	3280	400
1RP8 713-2HA60-0CJ0	14600	1500	1620	2720	2000	560	180	240	710	3250	3280	400
1RP8 714-2HA60-0CJ0	15200	1500	1620	2720	2000	560	180	240	710	3250	3280	400
1RP8 716-2HA60-0CJ0	16300	1500	1620	2720	2240	560	180	240	710	3250	3520	400
1RP8 717-2HA60-0CJ0	17200	1500	1620	2720	2240	560	180	240	710	3250	3520	400
1RP8 718-2HA60-0CJ0	18200	1500	1620	2720	2240	560	180	240	710	3250	3520	400
4-pole												
1RP8 633-4HA60-0CG0	11300	1320	1520	2520	1600	375	200	280	630	3060	2610	350
1RP8 633-4HA60-0CJ0	11400	1320	1520	2520	1600	630	200	280	630	3060	3090	350
1RP8 634-4HA60-0CG0	11700	1320	1520	2520	1600	375	200	280	630	3060	2610	350
1RP8 634-4HA60-0CJ0	11800	1320	1520	2520	1600	630	200	280	630	3060	3090	350
1RP8 637-4HA60-0CG0	12600	1320	1520	2520	1800	375	200	280	630	3060	2810	350
1RP8 637-4HA60-0CJ0	12700	1320	1520	2520	1800	630	200	280	630	3060	3290	350
1RP8 638-4HA60-0CG0	13300	1320	1520	2520	1800	375	200	280	630	3060	2810	350
1RP8 638-4HA60-0CJ0	13400	1320	1520	2520	1800	630	200	280	630	3060	3290	350
1RP8 712-4HA60-0CG0	15100	1500	1620	2720	2000	375	220	280	710	3250	3010	400
1RP8 712-4HA60-0CJ0	15250	1500	1620	2720	2000	630	220	280	710	3250	3480	400
1RP8 713-4HA60-0CG0	15750	1500	1620	2720	2000	375	220	280	710	3250	3010	400



Motor type	Weight	Dimensions										
		A	AD	AE	B	C	D	E	H	HD	L	ML
	kg	mm	mm	mm	mm	mm	mm	mm	mm	mm	mm	mm
Innomotics HV M - 1RP. WPII 6000 V / 50 Hz B3 (IM 1001) - Dimension drawings												
1RP8 713-4HA60-0CJ0	15900	1500	1620	2720	2000	630	220	280	710	3250	3480	400
1RP8 714-4HA60-0CG0	16600	1500	1620	2720	2000	375	220	280	710	3250	3010	400
1RP8 714-4HA60-0CJ0	16700	1500	1620	2720	2000	630	220	280	710	3250	3480	400
1RP8 717-4HA60-0CG0	17850	1500	1620	2720	2240	375	220	280	710	3250	3250	400
1RP8 717-4HA60-0CJ0	18000	1500	1620	2720	2240	630	220	280	710	3250	3720	400
1RP8 718-4HA60-0CG0	18400	1500	1620	2720	2240	375	220	280	710	3250	3250	400
1RP8 718-4HA60-0CJ0	18550	1500	1620	2720	2240	630	220	280	710	3250	3720	400
6-pole												
1RP8 632-6HA60-0CG0	11200	1320	1520	2520	1600	375	200	280	630	3060	2610	350
1RP8 632-6HA60-0CJ0	11300	1320	1520	2520	1600	630	200	280	630	3060	3090	350
1RP8 633-6HA60-0CG0	11550	1320	1520	2520	1600	375	200	280	630	3060	2610	350
1RP8 633-6HA60-0CJ0	11700	1320	1520	2520	1600	630	200	280	630	3060	3090	350
1RP8 634-6HA60-0CG0	12200	1320	1520	2520	1600	375	200	280	630	3060	2610	350
1RP8 634-6HA60-0CJ0	12300	1320	1520	2520	1600	630	200	280	630	3060	3090	350
1RP8 637-6HA60-0CG0	13000	1320	1520	2520	1800	375	200	280	630	3060	2810	350
1RP8 637-6HA60-0CJ0	13100	1320	1520	2520	1800	630	200	280	630	3060	3290	350
1RP8 638-6HA60-0CG0	13550	1320	1520	2520	1800	375	200	280	630	3060	2810	350
1RP8 638-6HA60-0CJ0	13650	1320	1520	2520	1800	630	200	280	630	3060	3290	350
1RP8 712-6HA60-0CG0	14950	1500	1620	2720	2000	375	220	280	710	3250	3010	400
1RP8 712-6HA60-0CJ0	15050	1500	1620	2720	2000	630	220	280	710	3250	3480	400
1RP8 713-6HA60-0CG0	15900	1500	1620	2720	2000	375	220	280	710	3250	3010	400
1RP8 713-6HA60-0CJ0	16050	1500	1620	2720	2000	630	220	280	710	3250	3480	400
1RP8 714-6HA60-0CG0	16950	1500	1620	2720	2000	375	220	280	710	3250	3010	400



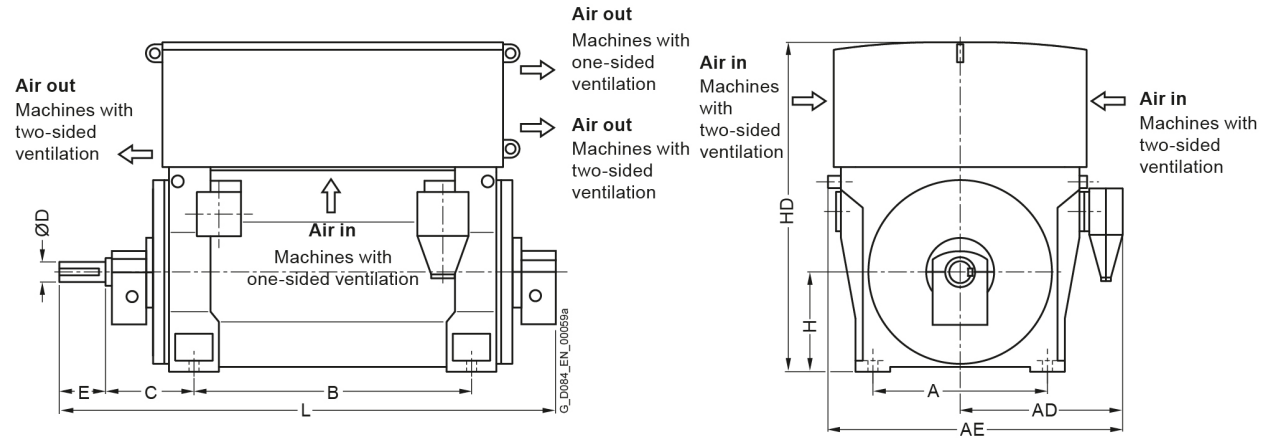
Motor type	Weight kg	Dimensions										
		A mm	AD mm	AE mm	B mm	C mm	D mm	E mm	H mm	HD mm	L mm	ML mm
Innomotics HV M - 1RP. WPII 6000 V / 50 Hz B3 (IM 1001) - Dimension drawings												
1RP8 714-6HA60-0CJ0	17100	1500	1620	2720	2000	630	220	280	710	3250	3480	400
1RP8 717-6HA60-0CG0	18500	1500	1620	2720	2240	375	220	280	710	3250	3250	400
1RP8 717-6HA60-0CJ0	18650	1500	1620	2720	2240	630	220	280	710	3250	3720	400
1RP8 718-6HA60-0CG0	19450	1500	1620	2720	2240	375	220	280	710	3250	3250	400
1RP8 718-6HA60-0CJ0	19600	1500	1620	2720	2240	630	220	280	710	3250	3720	400
8-pole												
1RP8 633-8HA60-0CG0	9900	1320	1520	2520	1600	375	200	280	630	2880	2610	350
1RP8 633-8HA60-0CJ0	10000	1320	1520	2520	1600	630	200	280	630	2880	3090	350
1RP8 634-8HA60-0CG0	10650	1320	1520	2520	1600	375	200	280	630	2880	2610	350
1RP8 634-8HA60-0CJ0	10750	1320	1520	2520	1600	630	200	280	630	2880	3090	350
1RP8 637-8HA60-0CG0	11900	1320	1520	2520	1800	375	200	280	630	2880	2810	350
1RP8 637-8HA60-0CJ0	12000	1320	1520	2520	1800	630	200	280	630	2880	3290	350
1RP8 638-8HA60-0CG0	12600	1320	1520	2520	1800	375	200	280	630	2880	2810	350
1RP8 638-8HA60-0CJ0	12750	1320	1520	2520	1800	630	200	280	630	2880	3290	350
1RP8 712-8HA60-0CG0	14550	1500	1620	2720	2000	375	220	280	710	3250	3010	400
1RP8 712-8HA60-0CJ0	14750	1500	1620	2720	2000	630	220	280	710	3250	3480	400
1RP8 713-8HA60-0CG0	15300	1500	1620	2720	2000	375	220	280	710	3250	3010	400
1RP8 713-8HA60-0CJ0	15500	1500	1620	2720	2000	630	220	280	710	3250	3480	400
1RP8 714-8HA60-0CG0	16500	1500	1620	2720	2000	375	220	280	710	3250	3010	400
1RP8 714-8HA60-0CJ0	16700	1500	1620	2720	2000	630	220	280	710	3250	3480	400
1RP8 717-8HA60-0CG0	18100	1500	1620	2720	2240	375	220	280	710	3250	3250	400
1RP8 717-8HA60-0CJ0	18300	1500	1620	2720	2240	630	220	280	710	3250	3720	400
1RP8 718-8HA60-0CG0	19150	1500	1620	2720	2240	375	220	280	710	3250	3250	400



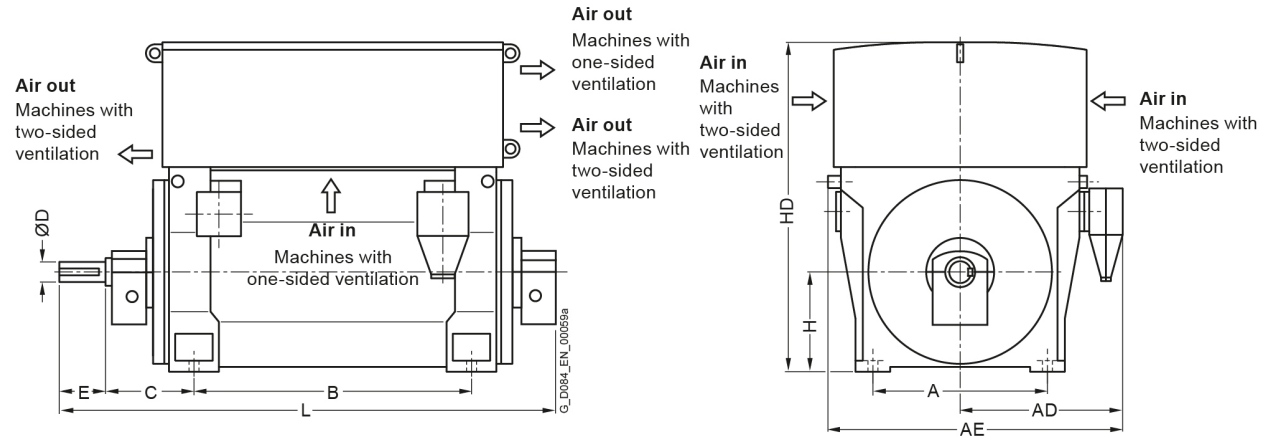
Motor type	Weight	Dimensions										
		A	AD	AE	B	C	D	E	H	HD	L	ML
	kg	mm	mm	mm	mm	mm	mm	mm	mm	mm	mm	mm
Innomotics HV M - 1RP. WP11 6000 V / 50 Hz B3 (IM 1001) - Dimension drawings												
1RP8 718-8HA60-0CJ0	19350	1500	1620	2720	2240	630	220	280	710	3250	3720	400

Innomotics HV M - 1RP. WPII 6600 V / 60 Hz B3 (IM 1001)																		
Rated power IEC kW	Article No.	Speed rpm	Rated current I _R A	Efficiency				Power factor				Torque T _R Nm	Breakdown torque T _B / T _R [-]	Locked rotor torque T _{LR} / T _R [-]	Locked rotor current I _{LR} / I _R [-]	Inertia		
				5/4 load	4/4 load	3/4 load	2/4 load	5/4 load	4/4 load	3/4 load	2/4 load					motor	external	Startup max T/TR
2-pole: n_{sync} = 3600 rpm at 60 Hz																		
7500	1RP8 632-2HA10-0CJ0	3579	780	96.5	97.0	96.8	96.1	0.84	0.87	0.88	0.88	20011	1.85	0.45	4.4	75	120	o.r.
8350	1RP8 633-2HA10-0CJ0	3580	850	96.7	97.1	96.9	96.3	0.85	0.88	0.89	0.89	22273	1.90	0.50	4.6	82	120	o.r.
9200	1RP8 634-2HA10-0CJ0	3580	930	97.0	97.3	97.1	96.4	0.87	0.89	0.90	0.89	24540	2.10	0.50	5.0	90	120	o.r.
10400	1RP8 637-2HA10-0CJ0	3581	1040	97.0	97.4	97.2	96.6	0.87	0.90	0.90	0.90	27733	2.10	0.55	5.0	99	100	o.r.
11550	1RP8 638-2HA10-0CJ0	3582	1160	97.2	97.5	97.3	96.8	0.88	0.90	0.91	0.90	30791	2.15	0.55	5.2	108	100	o.r.
12400	1RP8 713-2HA10-0CJ0	3584	1260	96.8	97.0	96.8	96.1	0.85	0.89	0.89	0.89	33039	1.80	0.40	4.1	160	50	o.r.
13700	1RP8 714-2HA10-0CJ0	3585	1360	97.1	97.2	97.0	96.3	0.88	0.90	0.90	0.90	36492	1.95	0.50	4.7	173	40	o.r.
15300	1RP8 716-2HA10-0CJ0	3585	1520	97.2	97.3	97.1	96.4	0.88	0.90	0.90	0.90	40754	2.00	0.55	4.8	186	30	o.r.
16000	1RP8 717-2HA10-0CJ0	3586	1580	97.3	97.4	97.1	96.4	0.89	0.91	0.91	0.90	42607	2.15	0.40	5.0	202	30	o.r.
4-pole: n_{sync} = 1800 rpm at 60 Hz																		
7800	1RP8 633-4HA10-0C.0	1789	790	97.0	97.4	97.5	97.3	0.87	0.89	0.88	0.85	41635	2.05	0.50	5.0	151	310	o.r.
8950	1RP8 634-4HA10-0C.0	1789	900	97.1	97.5	97.7	97.5	0.87	0.89	0.88	0.86	47773	2.05	0.50	5.0	166	310	o.r.
10100	1RP8 637-4HA10-0C.0	1790	1020	97.3	97.6	97.7	97.5	0.87	0.89	0.88	0.85	53882	2.10	0.50	5.0	182	330	o.r.
10750	1RP8 638-4HA10-0C.0	1790	1060	97.2	97.7	97.8	97.7	0.87	0.90	0.90	0.88	57349	2.10	0.50	5.0	198	370	o.r.
11100	1RP8 712-4HA10-0C.0	1791	1120	97.4	97.6	97.7	97.4	0.88	0.89	0.88	0.85	59183	2.30	0.50	5.3	259	380	o.r.
12150	1RP8 713-4HA10-0C.0	1791	1220	97.5	97.7	97.8	97.5	0.88	0.89	0.89	0.85	64782	2.40	0.50	5.7	284	410	o.r.
13500	1RP8 714-4HA10-0C.0	1791	1340	97.5	97.8	97.8	97.6	0.88	0.90	0.89	0.86	71980	2.40	0.50	5.7	312	420	o.r.
15000	1RP8 717-4HA10-0C.0	1791	1500	97.5	97.8	97.9	97.6	0.89	0.90	0.90	0.86	79977	2.40	0.50	5.8	346	460	o.r.
15400	1RP8 718-4HA10-0C.0	1791	1520	97.6	97.8	97.9	97.7	0.90	0.91	0.91	0.88	82110	2.45	0.55	5.9	365	500	o.r.
6-pole: n_{sync} = 1200 rpm at 60 Hz																		
5900	1RP8 632-6HA10-0C.0	1191	620	96.7	97.1	97.3	97.0	0.84	0.86	0.83	0.77	47305	2.10	0.50	4.8	193	1120	o.r.
6650	1RP8 633-6HA10-0C.0	1191	700	96.8	97.2	97.4	97.1	0.84	0.86	0.83	0.77	53319	2.10	0.53	4.8	209	1110	o.r.
7150	1RP8 634-6HA10-0C.0	1191	740	96.8	97.3	97.4	97.2	0.85	0.87	0.84	0.78	57328	2.10	0.54	4.8	227	1250	o.r.
7800	1RP8 637-6HA10-0C.0	1191	810	96.9	97.3	97.5	97.3	0.85	0.87	0.85	0.79	62539	2.10	0.55	4.8	247	1350	o.r.
8350	1RP8 638-6HA10-0C.0	1191	860	97.0	97.4	97.5	97.3	0.85	0.87	0.85	0.79	66949	2.15	0.56	4.9	265	1490	o.r.
8900	1RP8 712-6HA10-0C.0	1193	930	97.2	97.6	97.7	97.5	0.85	0.86	0.85	0.79	71240	2.15	0.50	5.1	331	1270	o.r.
9750	1RP8 713-6HA10-0C.0	1194	1000	97.3	97.6	97.7	97.5	0.85	0.87	0.84	0.78	77978	2.30	0.55	5.4	374	1550	o.r.
10800	1RP8 714-6HA10-0C.0	1194	1100	97.3	97.7	97.8	97.5	0.86	0.88	0.85	0.80	86376	2.30	0.55	5.4	424	1780	o.r.
12000	1RP8 717-6HA10-0C.0	1194	1220	97.4	97.7	97.9	97.6	0.87	0.88	0.86	0.80	95973	2.35	0.60	5.5	478	2080	o.r.
13000	1RP8 718-6HA10-0C.0	1194	1320	97.5	97.8	97.9	97.6	0.87	0.88	0.86	0.80	103971	2.45	0.60	5.5	524	2300	o.r.
8-pole: n_{sync} = 900 rpm at 60 Hz																		
4050	1RP8 633-8HA10-0C.0	892	430	95.8	96.4	96.5	96.2	0.84	0.85	0.82	0.75	43357	1.90	0.40	4.1	216	2690	o.r.
4850	1RP8 634-8HA10-0C.0	892	520	96.0	96.6	96.7	96.4	0.84	0.85	0.82	0.76	51922	1.90	0.40	4.1	251	2950	o.r.
5400	1RP8 637-8HA10-0C.0	893	570	96.4	96.8	96.8	96.4	0.85	0.86	0.82	0.75	57745	2.05	0.40	4.5	292	3640	o.r.
5700	1RP8 638-8HA10-0C.0	894	600	96.5	96.9	96.9	96.5	0.85	0.86	0.82	0.75	60885	2.15	0.50	5.0	326	4290	o.r.
6100	1RP8 712-8HA10-0C.0	895	640	96.6	97.0	96.9	96.6	0.86	0.86	0.82	0.74	65085	2.30	0.55	5.0	422	3590	o.r.

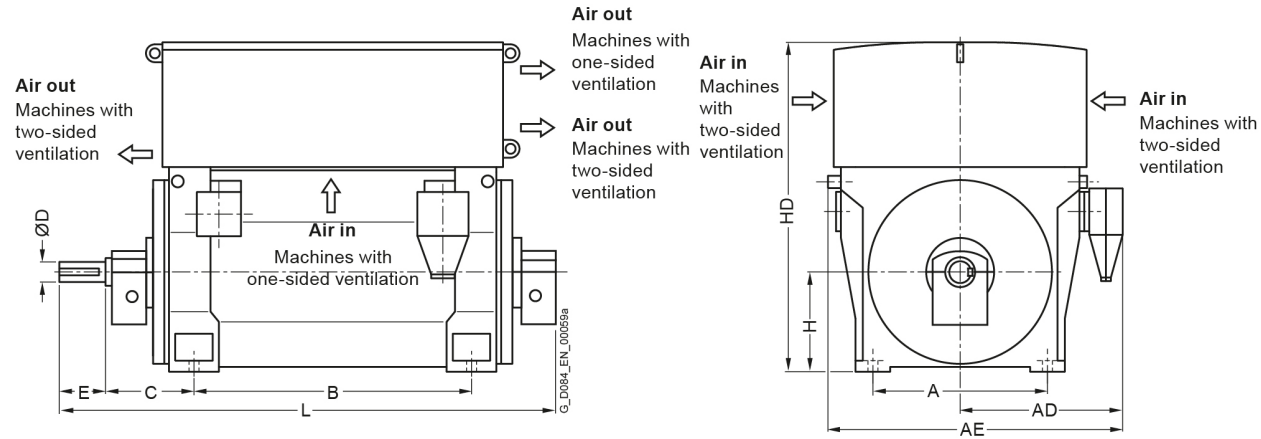
Innomotics HV M - 1RP. WPII 6600 V / 60 Hz B3 (IM 1001)																		
Rated power IEC	Article No.	Speed	Rated current I_R	Efficiency				Power factor				Torque T_R	Breakdown torque T_B / T_R	Locked rotor torque T_{LR} / T_R	Locked rotor current I_{LR} / I_R	Inertia		
				5/4 load	4/4 load	3/4 load	2/4 load	5/4 load	4/4 load	3/4 load	2/4 load					motor	external	Startup max T/TR
kW		rpm	A	%	%	%	%	$\cos \varphi$	$\cos \varphi$	$\cos \varphi$	$\cos \varphi$	Nm	[-]	[-]	[-]	kgm ²	kgm ²	[-]
6900	1RP8 713-8HA10-0C.0	895	720	96.8	97.1	97.0	96.6	0.86	0.86	0.82	0.74	73620	2.40	0.55	5.1	474	4020	o.r.
7900	1RP8 714-8HA10-0C.0	895	820	96.9	97.2	97.1	96.7	0.87	0.87	0.82	0.74	84290	2.50	0.60	5.3	542	4540	o.r.
9250	1RP8 717-8HA10-0C.0	895	960	97.1	97.3	97.3	96.8	0.87	0.87	0.82	0.74	98694	2.45	0.55	5.3	620	4970	o.r.
10000	1RP8 718-8HA10-0C.0	895	1040	97.2	97.4	97.3	96.9	0.87	0.87	0.83	0.74	106696	2.55	0.55	5.5	684	5590	o.r.



Motor type	Weight	Dimensions										
		A	AD	AE	B	C	D	E	H	HD	L	ML
	kg	mm	mm	mm	mm	mm	mm	mm	mm	mm	mm	mm
Innomotics HV M - 1RP. WPII 6600 V / 60 Hz B3 (IM 1001) - Dimension drawings												
2-pole												
1RP8 632-2HA10-0CJ0	10100	1320	1520	2520	1600	560	160	240	630	3060	2890	350
1RP8 633-2HA10-0CJ0	10600	1320	1520	2520	1600	560	160	240	630	3060	2890	350
1RP8 634-2HA10-0CJ0	11100	1320	1520	2520	1600	560	160	240	630	3060	2890	350
1RP8 637-2HA10-0CJ0	11950	1320	1520	2520	1800	560	160	240	630	3060	3090	350
1RP8 638-2HA10-0CJ0	12650	1320	1520	2520	1800	560	160	240	630	3060	3090	350
1RP8 713-2HA10-0CJ0	14500	1500	1620	2720	2000	560	180	240	710	3250	3280	400
1RP8 714-2HA10-0CJ0	15250	1500	1620	2720	2000	560	180	240	710	3250	3280	400
1RP8 716-2HA10-0CJ0	16400	1500	1620	2720	2240	560	180	240	710	3250	3520	400
1RP8 717-2HA10-0CJ0	17150	1500	1620	2720	2240	560	180	240	710	3250	3520	400
4-pole												
1RP8 633-4HA10-0CG0	11150	1320	1520	2520	1600	375	200	280	630	3060	2610	350
1RP8 633-4HA10-0CJ0	11250	1320	1520	2520	1600	630	200	280	630	3060	3090	350
1RP8 634-4HA10-0CG0	11750	1320	1520	2520	1600	375	200	280	630	3060	2610	350
1RP8 634-4HA10-0CJ0	11850	1320	1520	2520	1600	630	200	280	630	3060	3090	350
1RP8 637-4HA10-0CG0	12700	1320	1520	2520	1800	375	200	280	630	3060	2810	350
1RP8 637-4HA10-0CJ0	12800	1320	1520	2520	1800	630	200	280	630	3060	3290	350
1RP8 638-4HA10-0CG0	13250	1320	1520	2520	1800	375	200	280	630	3060	2810	350
1RP8 638-4HA10-0CJ0	13350	1320	1520	2520	1800	630	200	280	630	3060	3290	350
1RP8 712-4HA10-0CG0	15050	1500	1620	2720	2000	375	220	280	710	3250	3010	400
1RP8 712-4HA10-0CJ0	15150	1500	1620	2720	2000	630	220	280	710	3250	3480	400
1RP8 713-4HA10-0CG0	15750	1500	1620	2720	2000	375	220	280	710	3250	3010	400
1RP8 713-4HA10-0CJ0	15900	1500	1620	2720	2000	630	220	280	710	3250	3480	400



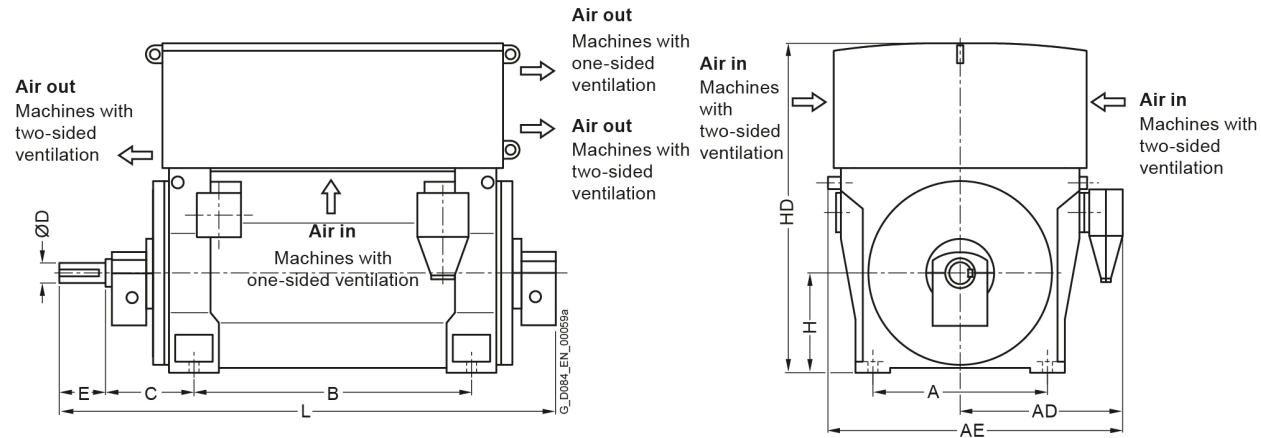
Motor type	Weight	Dimensions										
		A	AD	AE	B	C	D	E	H	HD	L	ML
	kg	mm	mm	mm	mm	mm	mm	mm	mm	mm	mm	mm
Innomotics HV M - 1RP. WPII 6600 V / 60 Hz B3 (IM 1001) - Dimension drawings												
1RP8 714-4HA10-0CG0	16550	1500	1620	2720	2000	375	220	280	710	3250	3010	400
1RP8 714-4HA10-0CJ0	16650	1500	1620	2720	2000	630	220	280	710	3250	3480	400
1RP8 717-4HA10-0CG0	17850	1500	1620	2720	2240	375	220	280	710	3250	3250	400
1RP8 717-4HA10-0CJ0	18000	1500	1620	2720	2240	630	220	280	710	3250	3720	400
1RP8 718-4HA10-0CG0	18350	1500	1620	2720	2240	375	220	280	710	3250	3250	400
1RP8 718-4HA10-0CJ0	18500	1500	1620	2720	2240	630	220	280	710	3250	3720	400
6-pole												
1RP8 632-6HA10-0CG0	11150	1320	1520	2520	1600	375	200	280	630	3060	2610	350
1RP8 632-6HA10-0CJ0	11250	1320	1520	2520	1600	630	200	280	630	3060	3090	350
1RP8 633-6HA10-0CG0	11650	1320	1520	2520	1600	375	200	280	630	3060	2610	350
1RP8 633-6HA10-0CJ0	11750	1320	1520	2520	1600	630	200	280	630	3060	3090	350
1RP8 634-6HA10-0CG0	12150	1320	1520	2520	1600	375	200	280	630	3060	2610	350
1RP8 634-6HA10-0CJ0	12250	1320	1520	2520	1600	630	200	280	630	3060	3090	350
1RP8 637-6HA10-0CG0	13000	1320	1520	2520	1800	375	200	280	630	3060	2810	350
1RP8 637-6HA10-0CJ0	13100	1320	1520	2520	1800	630	200	280	630	3060	3290	350
1RP8 638-6HA10-0CG0	13500	1320	1520	2520	1800	375	200	280	630	3060	2810	350
1RP8 638-6HA10-0CJ0	13600	1320	1520	2520	1800	630	200	280	630	3060	3290	350
1RP8 712-6HA10-0CG0	14950	1500	1620	2720	2000	375	220	280	710	3250	3010	400
1RP8 712-6HA10-0CJ0	15100	1500	1620	2720	2000	630	220	280	710	3250	3480	400
1RP8 713-6HA10-0CG0	15900	1500	1620	2720	2000	375	220	280	710	3250	3010	400
1RP8 713-6HA10-0CJ0	16050	1500	1620	2720	2000	630	220	280	710	3250	3480	400
1RP8 714-6HA10-0CG0	16900	1500	1620	2720	2000	375	220	280	710	3250	3010	400
1RP8 714-6HA10-0CJ0	17000	1500	1620	2720	2000	630	220	280	710	3250	3480	400



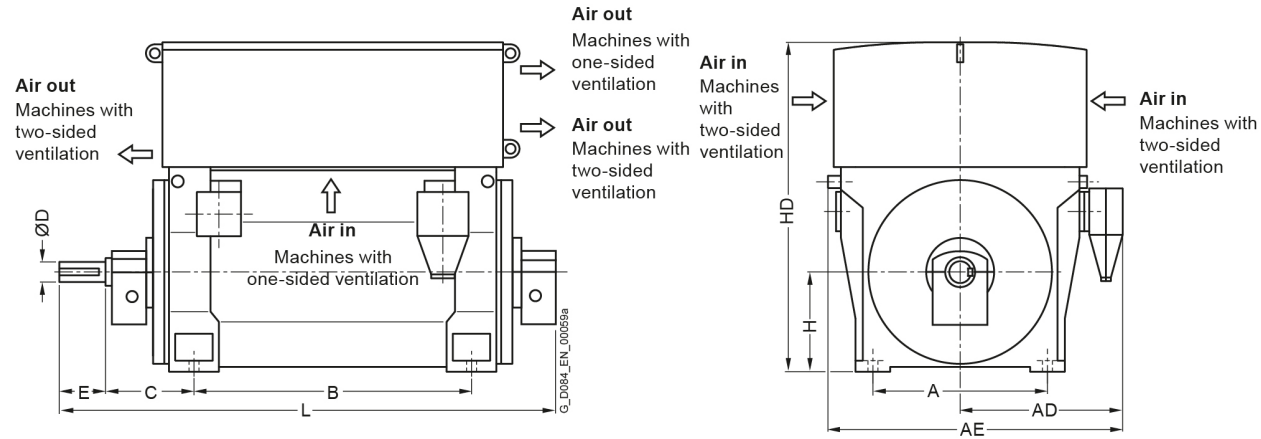
Motor type	Weight	Dimensions										
		A	AD	AE	B	C	D	E	H	HD	L	ML
	kg	mm	mm	mm	mm	mm	mm	mm	mm	mm	mm	mm
Innomotics HV M - 1RP. WPII 6600 V / 60 Hz B3 (IM 1001) - Dimension drawings												
1RP8 717-6HA10-0CG0	18450	1500	1620	2720	2240	375	220	280	710	3250	3250	400
1RP8 717-6HA10-0CJ0	18600	1500	1620	2720	2240	630	220	280	710	3250	3720	400
1RP8 718-6HA10-0CG0	19400	1500	1620	2720	2240	375	220	280	710	3250	3250	400
1RP8 718-6HA10-0CJ0	19550	1500	1620	2720	2240	630	220	280	710	3250	3720	400
8-pole												
1RP8 633-8HA10-0CG0	9900	1320	1520	2520	1600	375	200	280	630	2880	2610	350
1RP8 633-8HA10-0CJ0	10000	1320	1520	2520	1600	630	200	280	630	2880	3090	350
1RP8 634-8HA10-0CG0	10700	1320	1520	2520	1600	375	200	280	630	2880	2610	350
1RP8 634-8HA10-0CJ0	10800	1320	1520	2520	1600	630	200	280	630	2880	3090	350
1RP8 637-8HA10-0CG0	11900	1320	1520	2520	1800	375	200	280	630	2880	2810	350
1RP8 637-8HA10-0CJ0	12000	1320	1520	2520	1800	630	200	280	630	2880	3290	350
1RP8 638-8HA10-0CG0	12600	1320	1520	2520	1800	375	200	280	630	2880	2810	350
1RP8 638-8HA10-0CJ0	12700	1320	1520	2520	1800	630	200	280	630	2880	3290	350
1RP8 712-8HA10-0CG0	14400	1500	1620	2720	2000	375	220	280	710	3250	3010	400
1RP8 712-8HA10-0CJ0	14600	1500	1620	2720	2000	630	220	280	710	3250	3480	400
1RP8 713-8HA10-0CG0	15250	1500	1620	2720	2000	375	220	280	710	3250	3010	400
1RP8 713-8HA10-0CJ0	15450	1500	1620	2720	2000	630	220	280	710	3250	3480	400
1RP8 714-8HA10-0CG0	16450	1500	1620	2720	2000	375	220	280	710	3250	3010	400
1RP8 714-8HA10-0CJ0	16650	1500	1620	2720	2000	630	220	280	710	3250	3480	400
1RP8 717-8HA10-0CG0	18150	1500	1620	2720	2240	375	220	280	710	3250	3250	400
1RP8 717-8HA10-0CJ0	18350	1500	1620	2720	2240	630	220	280	710	3250	3720	400
1RP8 718-8HA10-0CG0	19200	1500	1620	2720	2240	375	220	280	710	3250	3250	400
1RP8 718-8HA10-0CJ0	19400	1500	1620	2720	2240	630	220	280	710	3250	3720	400

Innomotics HV M - 1RP. WPII 10000 V / 50 Hz B3 (IM 1001)																		
Rated power IEC kW	Article No.	Speed	Rated current	Efficiency				Power factor				Torque	Breakdown torque	Locked rotor torque	Locked rotor current	Inertia		
		rpm	I_R A	5/4 load %	4/4 load %	3/4 load %	2/4 load %	5/4 load $\cos \varphi$	4/4 load $\cos \varphi$	3/4 load $\cos \varphi$	2/4 load $\cos \varphi$	T_R Nm	T_B/ T_R [-]	T_{LR}/ T_R [-]	I_{LR}/ I_R [-]	motor kgm ²	external kgm ²	Startup max T/TR [-]
2-pole: $n_{sync} = 3000$ rpm at 50 Hz																		
6000	1RP8 632-2HA80-0CJ0	2980	405	96.4	96.9	96.9	96.4	0.85	0.88	0.88	0.87	19227	1.90	0.50	4.5	75	250	o.r.
6750	1RP8 633-2HA80-0CJ0	2980	455	96.5	97.1	97.1	96.7	0.85	0.88	0.89	0.88	21630	1.90	0.50	4.5	82	240	o.r.
7550	1RP8 634-2HA80-0CJ0	2980	510	96.6	97.1	97.2	96.8	0.85	0.88	0.89	0.89	24194	1.90	0.50	4.5	90	230	o.r.
8050	1RP8 637-2HA80-0CJ0	2983	530	96.9	97.3	97.2	96.9	0.89	0.90	0.91	0.90	25770	2.25	0.55	5.3	99	260	o.r.
8850	1RP8 638-2HA80-0CJ0	2983	580	97.0	97.4	97.4	97.1	0.89	0.91	0.91	0.91	28331	2.25	0.55	5.3	108	260	o.r.
9050	1RP8 712-2HA80-0CJ0	2983	610	96.5	96.9	96.9	96.5	0.83	0.88	0.89	0.89	28971	1.75	0.40	4.0	149	210	o.r.
10250	1RP8 713-2HA80-0CJ0	2984	680	96.8	97.2	97.1	96.7	0.86	0.90	0.90	0.89	32802	1.90	0.50	4.4	160	190	o.r.
11500	1RP8 714-2HA80-0CJ0	2984	760	97.0	97.3	97.3	96.8	0.86	0.90	0.90	0.89	36802	1.90	0.50	4.4	173	170	o.r.
12000	1RP8 716-2HA80-0CJ0	2986	780	97.1	97.3	97.3	96.8	0.88	0.91	0.91	0.90	38376	2.10	0.45	4.8	186	200	o.r.
13600	1RP8 717-2HA80-0CJ0	2986	880	97.2	97.5	97.4	97.0	0.89	0.91	0.91	0.90	43493	2.15	0.60	5.1	202	160	o.r.
14800	1RP8 718-2HA80-0CJ0	2987	950	97.4	97.6	97.6	97.1	0.90	0.92	0.92	0.90	47315	2.35	0.65	5.6	219	160	o.r.
4-pole: $n_{sync} = 1500$ rpm at 50 Hz																		
6000	1RP8 633-4HA80-0C.0	1490	400	96.7	97.2	97.4	97.3	0.87	0.89	0.88	0.84	38454	2.10	0.50	5.0	151	710	o.r.
6800	1RP8 634-4HA80-0C.0	1490	455	96.8	97.3	97.6	97.5	0.87	0.89	0.89	0.86	43581	2.10	0.50	5.0	166	740	o.r.
7700	1RP8 637-4HA80-0C.0	1490	510	97.0	97.4	97.6	97.5	0.87	0.89	0.88	0.85	49349	2.15	0.50	5.2	182	770	o.r.
8550	1RP8 638-4HA80-0C.0	1490	570	97.1	97.5	97.7	97.6	0.88	0.89	0.89	0.85	54796	2.25	0.55	5.5	198	810	o.r.
8900	1RP8 712-4HA80-0C.0	1491	590	97.0	97.5	97.7	97.5	0.87	0.89	0.89	0.86	57001	2.20	0.45	5.2	259	800	o.r.
9850	1RP8 713-4HA80-0C.0	1491	660	97.1	97.5	97.7	97.6	0.87	0.89	0.89	0.86	63086	2.20	0.45	5.2	284	840	o.r.
10500	1RP8 714-4HA80-0C.0	1492	690	97.2	97.6	97.8	97.7	0.89	0.90	0.90	0.87	67203	2.45	0.55	2.9	312	970	o.r.
11600	1RP8 717-4HA80-0C.0	1492	750	97.3	97.7	97.9	97.7	0.90	0.91	0.90	0.87	74244	2.55	0.60	6.0	346	1070	o.r.
12500	1RP8 718-4HA80-0C.2	1492	810	97.4	97.7	97.9	97.7	0.90	0.91	0.90	0.86	80004	2.60	0.60	6.0	365	1080	o.r.
6-pole: $n_{sync} = 1000$ rpm at 50 Hz																		
4700	1RP8 632-6HA80-0C.0	991	325	96.3	96.9	97.1	97.0	0.84	0.86	0.83	0.76	45289	2.15	0.55	4.9	193	2130	o.r.
5000	1RP8 633-6HA80-0C.2	991	345	96.3	96.9	97.2	97.2	0.84	0.86	0.84	0.79	48180	2.05	0.50	4.7	209	2320	o.r.
5400	1RP8 634-6HA80-0C.0	992	370	96.4	97.0	97.3	97.2	0.84	0.87	0.85	0.80	51982	2.05	0.50	4.7	227	2580	o.r.
5850	1RP8 637-6HA80-0C.0	992	400	96.5	97.1	97.4	97.3	0.85	0.87	0.85	0.80	56314	2.10	0.50	4.7	247	2860	o.r.
6400	1RP8 638-6HA80-0C.0	992	435	96.7	97.2	97.4	97.2	0.86	0.87	0.84	0.78	61608	2.25	0.60	5.1	265	3100	o.r.
6800	1RP8 712-6HA80-0C.0	993	465	96.8	97.3	97.6	97.5	0.85	0.87	0.85	0.80	65393	2.15	0.50	5.1	331	2590	o.r.
7550	1RP8 713-6HA80-0C.0	994	510	97.0	97.5	97.7	97.5	0.86	0.87	0.85	0.79	72532	2.30	0.60	5.4	374	2990	o.r.
8750	1RP8 714-6HA80-0C.0	994	600	97.1	97.5	97.7	97.6	0.85	0.87	0.85	0.79	84061	2.25	0.50	5.4	423	3310	o.r.
9500	1RP8 717-6HA80-0C.0	994	640	97.2	97.6	97.8	97.7	0.87	0.88	0.87	0.81	91266	2.30	0.60	5.5	478	3770	o.r.
10500	1RP8 718-6HA80-0C.0	994	720	97.3	97.7	97.8	97.6	0.86	0.86	0.83	0.76	100873	2.35	0.50	5.5	520	4500	o.r.
8-pole: $n_{sync} = 750$ rpm at 50 Hz																		
3750	1RP8 634-8HA80-0C.0	743	265	95.6	96.3	96.5	96.4	0.84	0.85	0.82	0.76	48196	1.90	0.40	4.2	251	4130	o.r.
4200	1RP8 637-8HA80-0C.0	744	290	96.0	96.5	96.6	96.3	0.85	0.86	0.81	0.73	53907	2.20	0.50	4.8	292	5610	o.r.
4450	1RP8 638-8HA80-0C.0	744	310	96.2	96.7	96.7	96.4	0.86	0.86	0.81	0.72	57116	2.30	0.55	5.1	326	7020	o.r.

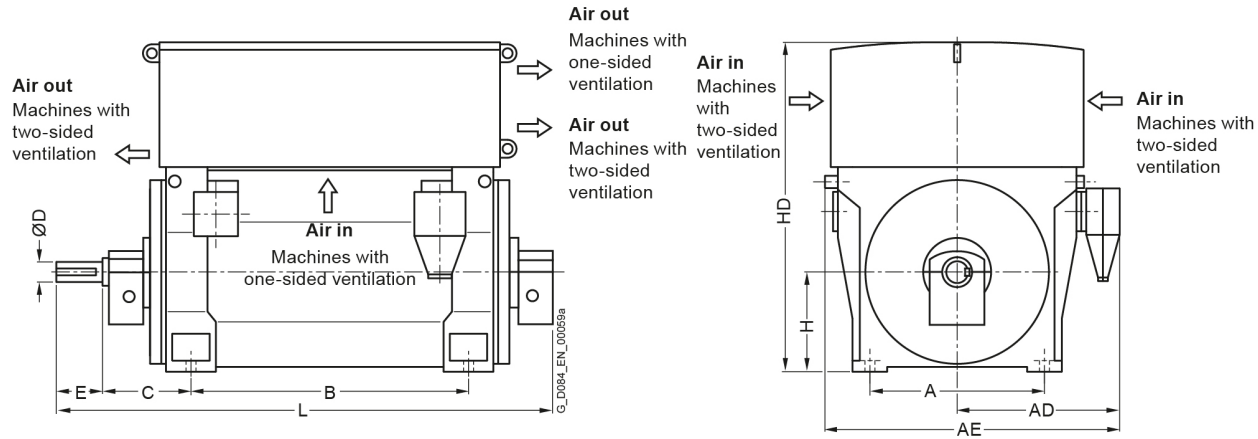
Innomotics HV M - 1RP. WPII 10000 V / 50 Hz B3 (IM 1001)																		
Rated power IEC	Article No.	Speed	Rated current I_R	Efficiency				Power factor				Torque T_R	Breakdown torque T_B/ T_R	Locked torque T_{LR}/ T_R	rotor Locked current I_{LR}/ I_R	Inertia		
				5/4 load	4/4 load	3/4 load	2/4 load	5/4 load	4/4 load	3/4 load	2/4 load					motor	external	Startup max T/TR
kW		rpm	A	%	%	%	%	$\cos \varphi$	$\cos \varphi$	$\cos \varphi$	$\cos \varphi$	Nm	[-]	[-]	[-]	kgm ²	kgm ²	[-]
4750	1RP8 712-8HA80-0C.0	745	310	96.3	96.7	96.8	96.5	0.86	0.86	0.81	0.72	60885	2.40	0.50	5.1	422	4890	o.r.
5250	1RP8 713-8HA80-0C.0	745	345	96.4	96.8	96.9	96.6	0.87	0.87	0.83	0.74	67294	2.45	0.60	5.3	474	4570	o.r.
6000	1RP8 714-8HA80-0C.0	746	390	96.6	97.0	97.0	96.6	0.86	0.86	0.81	0.72	76804	2.40	0.55	5.1	539	5540	o.r.
6800	1RP8 717-8HA80-0C.0	746	440	96.7	97.0	97.0	96.6	0.85	0.85	0.80	0.70	87045	2.40	0.50	5.1	614	6160	o.r.
7400	1RP8 718-8HA80-0C.0	746	495	96.8	97.1	97.0	96.6	0.86	0.85	0.80	0.69	94725	2.50	0.50	5.3	677	7320	o.r.



Motor type	Weight	Dimensions										
		A	AD	AE	B	C	D	E	H	HD	L	ML
	kg	mm	mm	mm	mm	mm	mm	mm	mm	mm	mm	mm
Innomotics HV M - 1RP. WPII 10000 V / 50 Hz B3 (IM 1001) - Dimension drawings												
2-pole												
1RP8 632-2HA80-0CJ0	9950	1320	1520	2520	1600	560	160	240	630	3060	2890	350
1RP8 633-2HA80-0CJ0	10450	1320	1520	2520	1600	560	160	240	630	3060	2890	350
1RP8 634-2HA80-0CJ0	10950	1320	1520	2520	1600	560	160	240	630	3060	2890	350
1RP8 637-2HA80-0CJ0	11750	1320	1520	2520	1800	560	160	240	630	3060	3090	350
1RP8 638-2HA80-0CJ0	12400	1320	1520	2520	1800	560	160	240	630	3060	3090	350
1RP8 712-2HA80-0CJ0	13700	1500	1620	2720	2000	560	180	240	710	3250	3280	400
1RP8 713-2HA80-0CJ0	14400	1500	1620	2720	2000	560	180	240	710	3250	3280	400
1RP8 714-2HA80-0CJ0	15150	1500	1620	2720	2000	560	180	240	710	3250	3280	400
1RP8 716-2HA80-0CJ0	16100	1500	1620	2720	2240	560	180	240	710	3250	3520	400
1RP8 717-2HA80-0CJ0	16950	1500	1620	2720	2240	560	180	240	710	3250	3520	400
1RP8 718-2HA80-0CJ0	17650	1500	1620	2720	2240	560	180	240	710	3250	3520	400
4-pole												
1RP8 633-4HA80-0CG0	11100	1320	1520	2520	1600	375	200	280	630	3060	2610	350
1RP8 633-4HA80-0CJ0	11200	1320	1520	2520	1600	630	200	280	630	3060	3090	350
1RP8 634-4HA80-0CG0	11650	1320	1520	2520	1600	375	200	280	630	3060	2610	350
1RP8 634-4HA80-0CJ0	11750	1320	1520	2520	1600	630	200	280	630	3060	3090	350
1RP8 637-4HA80-0CG0	12550	1320	1520	2520	1800	375	200	280	630	3060	2810	350
1RP8 637-4HA80-0CJ0	12650	1320	1520	2520	1800	630	200	280	630	3060	3290	350
1RP8 638-4HA80-0CG0	13150	1320	1520	2520	1800	375	200	280	630	3060	2810	350
1RP8 638-4HA80-0CJ0	13250	1320	1520	2520	1800	630	200	280	630	3060	3290	350
1RP8 712-4HA80-0CG0	14850	1500	1620	2720	2000	375	220	280	710	3250	3010	400
1RP8 712-4HA80-0CJ0	15000	1500	1620	2720	2000	630	220	280	710	3250	3480	400



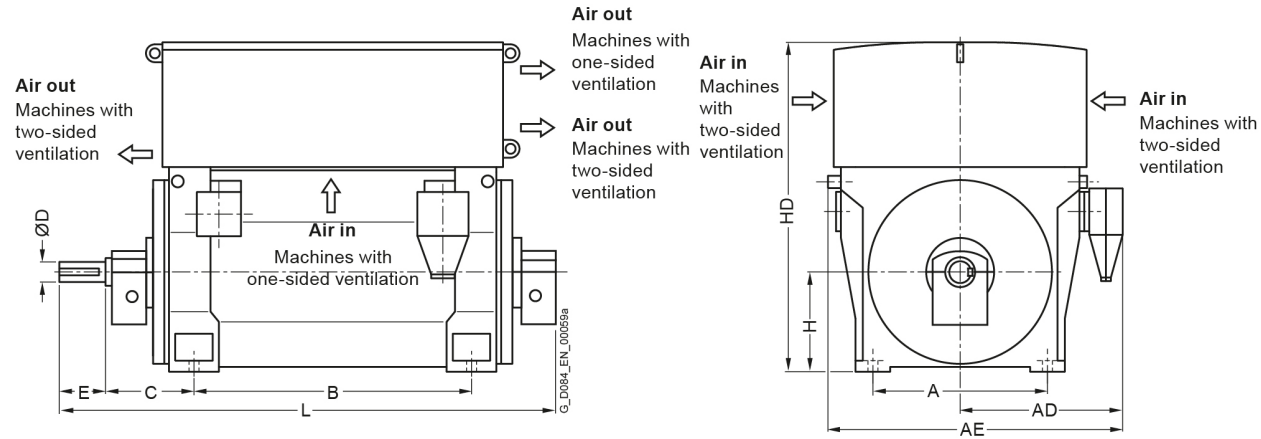
Motor type	Weight	Dimensions										
		A	AD	AE	B	C	D	E	H	HD	L	ML
	kg	mm	mm	mm	mm	mm	mm	mm	mm	mm	mm	mm
Innomotics HV M - 1RP. WPII 10000 V / 50 Hz B3 (IM 1001) - Dimension drawings												
1RP8 713-4HA80-0CG0	15550	1500	1620	2720	2000	375	220	280	710	3250	3010	400
1RP8 713-4HA80-0CJ0	15700	1500	1620	2720	2000	630	220	280	710	3250	3480	400
1RP8 714-4HA80-0CG0	16250	1500	1620	2720	2000	375	220	280	710	3250	3010	400
1RP8 714-4HA80-0CJ0	16400	1500	1620	2720	2000	630	220	280	710	3250	3480	400
1RP8 717-4HA80-0CG0	17550	1500	1620	2720	2240	375	220	280	710	3250	3250	400
1RP8 717-4HA80-0CJ0	17700	1500	1620	2720	2240	630	220	280	710	3250	3720	400
1RP8 718-4HA80-0CG2	18150	1500	1620	2720	2240	375	220	280	710	3250	3250	400
1RP8 718-4HA80-0CJ2	18300	1500	1620	2720	2240	630	220	280	710	3250	3720	400
6-pole												
1RP8 632-6HA80-0CG0	11100	1320	1520	2520	1600	375	200	280	630	3060	2610	350
1RP8 632-6HA80-0CJ0	11200	1320	1520	2520	1600	630	200	280	630	3060	3090	350
1RP8 633-6HA80-0CG2	11550	1320	1520	2520	1600	375	200	280	630	3060	2610	350
1RP8 633-6HA80-0CJ2	11650	1320	1520	2520	1600	630	200	280	630	3060	3090	350
1RP8 634-6HA80-0CG0	12050	1320	1520	2520	1600	375	200	280	630	3060	2610	350
1RP8 634-6HA80-0CJ0	12200	1320	1520	2520	1600	630	200	280	630	3060	3090	350
1RP8 637-6HA80-0CG0	12850	1320	1520	2520	1800	375	200	280	630	3060	2810	350
1RP8 637-6HA80-0CJ0	12950	1320	1520	2520	1800	630	200	280	630	3060	3290	350
1RP8 638-6HA80-0CG0	13350	1320	1520	2520	1800	375	200	280	630	3060	2810	350
1RP8 638-6HA80-0CJ0	13500	1320	1520	2520	1800	630	200	280	630	3060	3290	350
1RP8 712-6HA80-0CG0	14800	1500	1620	2720	2000	375	220	280	710	3250	3010	400
1RP8 712-6HA80-0CJ0	14950	1500	1620	2720	2000	630	220	280	710	3250	3480	400
1RP8 713-6HA80-0CG0	15750	1500	1620	2720	2000	375	220	280	710	3250	3010	400
1RP8 713-6HA80-0CJ0	15850	1500	1620	2720	2000	630	220	280	710	3250	3480	400



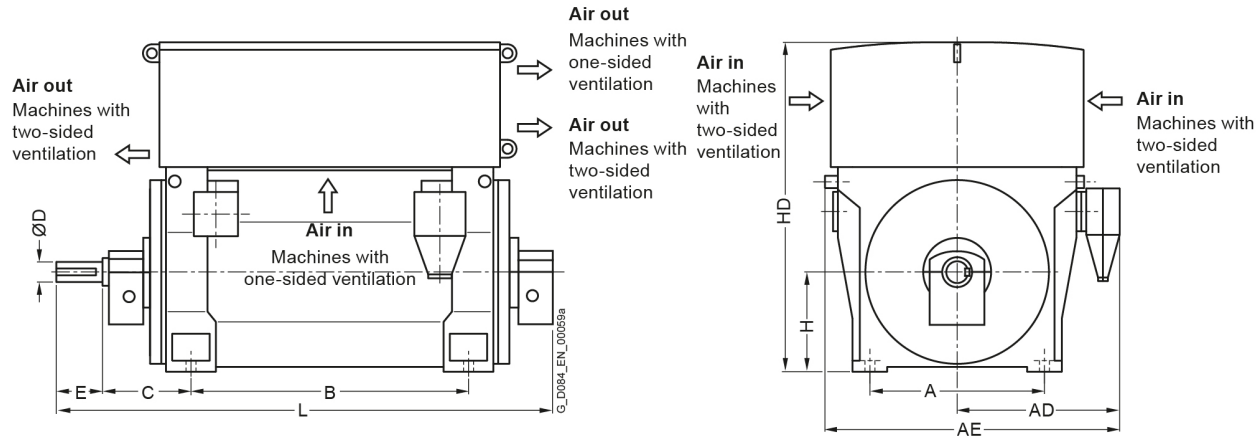
Motor type	Weight	Dimensions										
		A	AD	AE	B	C	D	E	H	HD	L	ML
	kg	mm	mm	mm	mm	mm	mm	mm	mm	mm	mm	mm
Innomotics HV M - 1RP. WPII 10000 V / 50 Hz B3 (IM 1001) - Dimension drawings												
1RP8 714-6HA80-0CG0	16800	1500	1620	2720	2000	375	220	280	710	3250	3010	400
1RP8 714-6HA80-0CJ0	16900	1500	1620	2720	2000	630	220	280	710	3250	3480	400
1RP8 717-6HA80-0CG0	18250	1500	1620	2720	2240	375	220	280	710	3250	3250	400
1RP8 717-6HA80-0CJ0	18400	1500	1620	2720	2240	630	220	280	710	3250	3720	400
1RP8 718-6HA80-0CG0	19300	1500	1620	2720	2240	375	220	280	710	3250	3250	400
1RP8 718-6HA80-0CJ0	19450	1500	1620	2720	2240	630	220	280	710	3250	3720	400
8-pole												
1RP8 634-8HA80-0CG0	10650	1320	1520	2520	1600	375	200	280	630	2880	2610	350
1RP8 634-8HA80-0CJ0	10750	1320	1520	2520	1600	630	200	280	630	2880	3090	350
1RP8 637-8HA80-0CG0	11800	1320	1520	2520	1800	375	200	280	630	2880	2810	350
1RP8 637-8HA80-0CJ0	11900	1320	1520	2520	1800	630	200	280	630	2880	3290	350
1RP8 638-8HA80-0CG0	12500	1320	1520	2520	1800	375	200	280	630	2880	2810	350
1RP8 638-8HA80-0CJ0	12650	1320	1520	2520	1800	630	200	280	630	2880	3290	350
1RP8 712-8HA80-0CG0	14350	1500	1620	2720	2000	375	220	280	710	3250	3010	400
1RP8 712-8HA80-0CJ0	14550	1500	1620	2720	2000	630	220	280	710	3250	3480	400
1RP8 713-8HA80-0CG0	15150	1500	1620	2720	2000	375	220	280	710	3250	3010	400
1RP8 713-8HA80-0CJ0	15350	1500	1620	2720	2000	630	220	280	710	3250	3480	400
1RP8 714-8HA80-0CG0	16300	1500	1620	2720	2000	375	220	280	710	3250	3010	400
1RP8 714-8HA80-0CJ0	16450	1500	1620	2720	2000	630	220	280	710	3250	3480	400
1RP8 717-8HA80-0CG0	17900	1500	1620	2720	2240	375	220	280	710	3250	3250	400
1RP8 717-8HA80-0CJ0	18100	1500	1620	2720	2240	630	220	280	710	3250	3720	400
1RP8 718-8HA80-0CG0	18950	1500	1620	2720	2240	375	220	280	710	3250	3250	400
1RP8 718-8HA80-0CJ0	19150	1500	1620	2720	2240	630	220	280	710	3250	3720	400

Innomotics HV M - 1RP. WPII 11000 V / 50 Hz B3 (IM 1001)																			
Rated power IEC kW	Article No.	Speed rpm	Rated current I _R A	Efficiency				Power factor				Torque T _R Nm	Breakdown torque T _B / T _R [-]	Locked rotor torque T _{LR} / T _R [-]	Locked rotor current I _{LR} / I _R [-]	Inertia			
				5/4 load	4/4 load	3/4 load	2/4 load	5/4 load	4/4 load	3/4 load	2/4 load					motor	external	Startup max T/TR	
2-pole: n_{sync} = 3000 rpm at 50 Hz																			
5800	1RP8 632-2HA90-0CJ0	2982	355	96.3	96.9	96.8	96.4	0.86	0.88	0.89	0.87	18573	2.00	0.50	4.6	75	270	o.r.	
6550	1RP8 633-2HA90-0CJ0	2982	400	96.5	97.0	97.0	96.6	0.87	0.89	0.89	0.88	20975	2.05	0.50	4.8	82	270	o.r.	
7050	1RP8 634-2HA90-0CJ0	2982	430	96.6	97.1	97.1	96.7	0.87	0.89	0.90	0.89	22576	2.10	0.55	5.0	90	270	o.r.	
8050	1RP8 637-2HA90-0CJ0	2983	480	96.8	97.3	97.2	96.9	0.88	0.90	0.91	0.89	25770	2.20	0.60	5.3	99	270	o.r.	
8850	1RP8 638-2HA90-0CJ0	2984	520	97.0	97.4	97.4	97.0	0.89	0.91	0.91	0.89	28321	2.35	0.65	5.6	108	270	o.r.	
9150	1RP8 712-2HA90-0CJ0	2984	560	96.7	97.0	97.0	96.5	0.85	0.88	0.89	0.88	29282	1.75	0.50	4.1	149	220	o.r.	
9900	1RP8 713-2HA90-0CJ0	2985	600	96.8	97.1	97.1	96.6	0.86	0.89	0.89	0.89	31671	1.90	0.50	4.0	160	210	o.r.	
10600	1RP8 714-2HA90-0CJ0	2986	630	97.0	97.2	97.1	96.6	0.88	0.91	0.90	0.89	33899	2.10	0.55	4.4	173	210	o.r.	
12000	1RP8 716-2HA90-0CJ0	2986	720	97.1	97.3	97.3	96.8	0.88	0.90	0.90	0.89	38376	2.10	0.60	5.0	186	190	o.r.	
13200	1RP8 717-2HA90-0CJ0	2987	780	97.3	97.4	97.4	96.9	0.89	0.91	0.91	0.90	42200	2.20	0.60	5.2	202	170	o.r.	
13850	1RP8 718-2HA90-0CJ0	2988	820	97.2	97.4	97.4	97.0	0.89	0.91	0.91	0.90	44263	2.20	0.60	5.3	220	220	o.r.	
4-pole: n_{sync} = 1500 rpm at 50 Hz																			
5900	1RP8 633-4HA90-0C.0	1490	360	96.8	97.3	97.5	97.4	0.87	0.89	0.88	0.85	37813	2.15	0.50	5.2	151	740	o.r.	
6400	1RP8 634-4HA90-0C.0	1491	390	96.8	97.3	97.5	97.3	0.88	0.89	0.88	0.85	40990	2.25	0.50	5.5	166	860	o.r.	
7200	1RP8 637-4HA90-0C.0	1491	430	97.0	97.4	97.6	97.5	0.88	0.90	0.89	0.85	46113	2.35	0.60	5.6	182	860	o.r.	
8200	1RP8 638-4HA90-0C.0	1491	495	97.1	97.5	97.7	97.5	0.88	0.89	0.88	0.85	52518	2.35	0.60	5.6	198	900	o.r.	
8600	1RP8 712-4HA90-0C.0	1491	520	97.0	97.4	97.6	97.4	0.88	0.89	0.88	0.85	55080	2.35	0.50	5.6	259	870	o.r.	
9300	1RP8 713-4HA90-0C.0	1492	560	97.1	97.5	97.7	97.5	0.89	0.90	0.89	0.86	59523	2.40	0.50	5.7	284	960	o.r.	
10000	1RP8 714-4HA90-0C.0	1492	600	97.2	97.6	97.7	97.6	0.89	0.90	0.89	0.85	64003	2.55	0.55	6.0	312	1080	o.r.	
11500	1RP8 717-4HA90-0C.0	1492	690	97.3	97.7	97.8	97.6	0.90	0.90	0.89	0.85	73604	2.60	0.55	6.0	346	1100	o.r.	
11900	1RP8 718-4HA90-0C.0	1493	710	97.4	97.7	97.8	97.6	0.89	0.90	0.89	0.85	76113	2.60	0.55	6.0	364	1240	o.r.	
6-pole: n_{sync} = 1000 rpm at 50 Hz																			
4450	1RP8 632-6HA90-0C.0	992	280	96.3	96.8	97.1	96.9	0.85	0.86	0.83	0.75	42837	2.30	0.60	5.2	193	2370	o.r.	
4650	1RP8 633-6HA90-0C.0	992	295	96.4	96.9	97.2	96.9	0.85	0.86	0.83	0.75	44762	2.30	0.55	5.3	209	2660	o.r.	
5200	1RP8 634-6HA90-0C.0	992	325	96.5	97.0	97.3	97.1	0.85	0.87	0.84	0.78	50057	2.20	0.55	5.1	227	2800	o.r.	
5600	1RP8 637-6HA90-0C.0	992	350	96.5	97.0	97.3	97.2	0.85	0.87	0.85	0.78	53907	2.20	0.56	5.2	247	3110	o.r.	
6100	1RP8 638-6HA90-0C.0	992	380	96.6	97.1	97.4	97.2	0.86	0.87	0.85	0.78	58720	2.25	0.55	5.2	265	3300	o.r.	
6600	1RP8 712-6HA90-0C.0	993	410	96.8	97.3	97.5	97.4	0.85	0.87	0.85	0.79	63470	2.20	0.55	5.2	331	2710	o.r.	
7250	1RP8 713-6HA90-0C.0	994	450	97.0	97.4	97.6	97.5	0.86	0.87	0.85	0.79	69650	2.35	0.60	5.5	374	3180	o.r.	
8250	1RP8 714-6HA90-0C.0	994	500	97.1	97.5	97.7	97.5	0.87	0.88	0.85	0.79	79257	2.40	0.60	5.5	424	3530	o.r.	
9350	1RP8 717-6HA90-0C.0	994	570	97.1	97.6	97.8	97.6	0.87	0.88	0.86	0.80	89825	2.35	0.55	5.5	478	3930	o.r.	
10400	1RP8 718-6HA90-0C.0	995	640	97.3	97.6	97.8	97.6	0.86	0.87	0.84	0.76	99812	2.45	0.55	5.5	522	4410	o.r.	
8-pole: n_{sync} = 750 rpm at 50 Hz																			
3100	1RP8 633-8HA90-0C.0	743	200	95.4	96.1	96.3	96.1	0.84	0.85	0.81	0.74	39842	2.00	0.45	4.5	216	2690	o.r.	
3500	1RP8 634-8HA90-0C.0	744	225	95.6	96.2	96.4	96.1	0.85	0.85	0.81	0.73	44923	2.10	0.50	4.5	251	2830	o.r.	
4000	1RP8 637-8HA90-0C.0	744	255	96.0	96.5	96.5	96.2	0.85	0.85	0.81	0.72	51340	2.30	0.50	5.0	292	5000	o.r.	

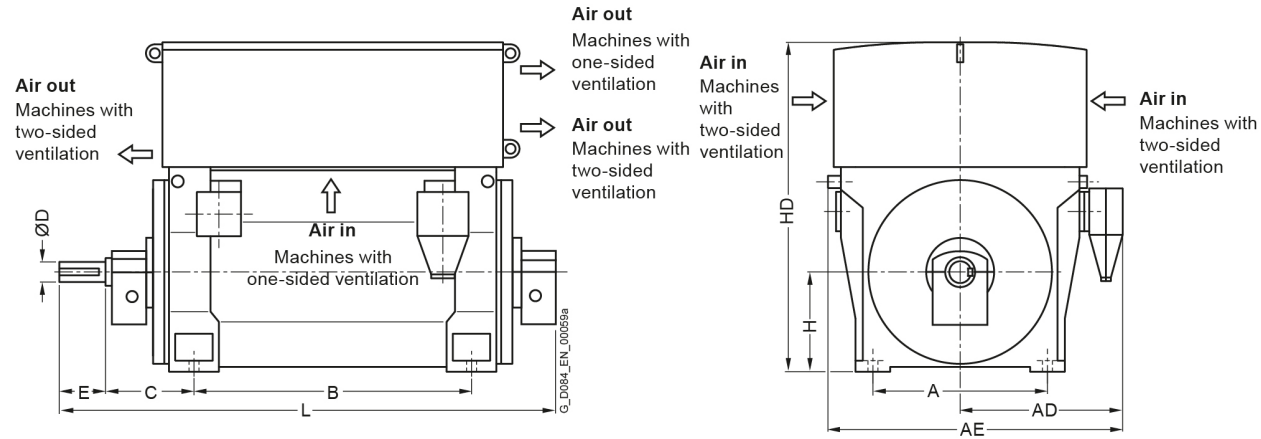
Innomotics HV M - 1RP. WPII 11000 V / 50 Hz B3 (IM 1001)																		
Rated power IEC	Article No.	Speed	Rated current I_R	Efficiency				Power factor				Torque T_R	Breakdown torque T_B/ T_R	Locked rotor torque T_{LR}/ T_R	Locked rotor current I_{LR}/ I_R	Inertia		
				5/4 load	4/4 load	3/4 load	2/4 load	5/4 load	4/4 load	3/4 load	2/4 load					motor	external	Startup max T/TR
kW		rpm	A	%	%	%	%	$\cos \varphi$	$\cos \varphi$	$\cos \varphi$	$\cos \varphi$	Nm	[-]	[-]	[-]	kgm ²	kgm ²	[-]
4250	1RP8 638-8HA90-0C.0	744	270	96.2	96.6	96.7	96.3	0.86	0.86	0.81	0.72	54549	2.40	0.55	5.2	326	6200	o.r.
4300	1RP8 712-8HA90-0C.0	746	275	96.2	96.6	96.6	96.2	0.86	0.85	0.80	0.69	55043	2.60	0.60	5.5	422	2890	o.r.
4850	1RP8 713-8HA90-0C.0	746	310	96.4	96.7	96.7	96.2	0.86	0.85	0.79	0.68	62083	2.55	0.60	5.4	471	3510	o.r.
5550	1RP8 714-8HA90-0C.0	746	355	96.5	96.8	96.8	96.3	0.86	0.85	0.79	0.68	71044	2.60	0.60	5.5	538	3900	o.r.
6500	1RP8 717-8HA90-0C.0	746	415	96.7	97.0	96.9	96.5	0.86	0.85	0.79	0.69	83204	2.60	0.50	5.5	615	5400	o.r.
6700	1RP8 718-8HA90-0C.0	746	430	96.8	97.1	96.9	96.4	0.85	0.84	0.78	0.67	85764	2.60	0.50	5.4	674	6570	o.r.



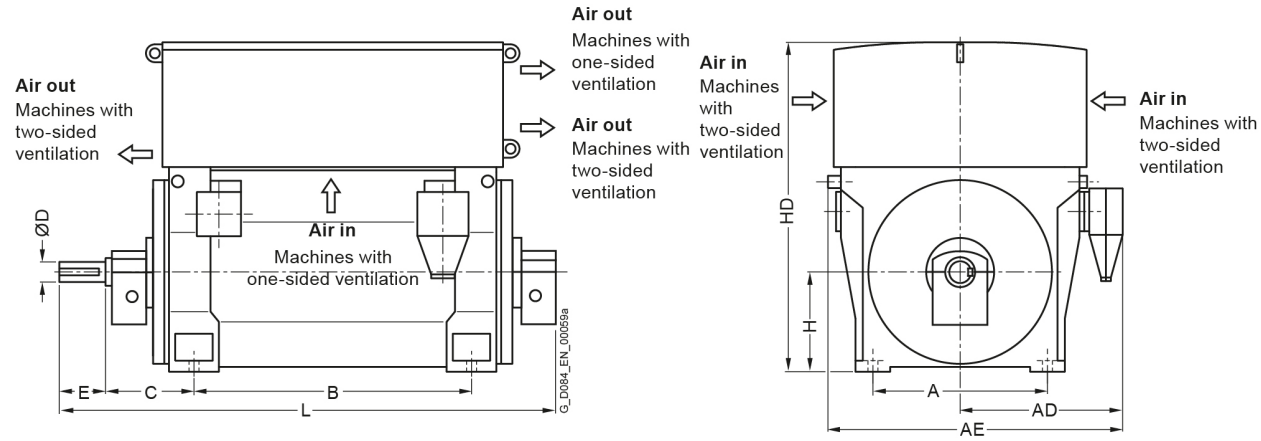
Motor type	Weight	Dimensions										
		A	AD	AE	B	C	D	E	H	HD	L	ML
	kg	mm	mm	mm	mm	mm	mm	mm	mm	mm	mm	mm
Innomotics HV M - 1RP. WPII 11000 V / 50 Hz B3 (IM 1001) - Dimension drawings												
2-pole												
1RP8 632-2HA90-0CJ0	9900	1320	1520	2520	1600	560	160	240	630	3060	2890	350
1RP8 633-2HA90-0CJ0	10400	1320	1520	2520	1600	560	160	240	630	3060	2890	350
1RP8 634-2HA90-0CJ0	10800	1320	1520	2520	1600	560	160	240	630	3060	2890	350
1RP8 637-2HA90-0CJ0	11700	1320	1520	2520	1800	560	160	240	630	3060	3090	350
1RP8 638-2HA90-0CJ0	12300	1320	1520	2520	1800	560	160	240	630	3060	3090	350
1RP8 712-2HA90-0CJ0	13800	1500	1620	2720	2000	560	180	240	710	3250	3280	400
1RP8 713-2HA90-0CJ0	14300	1500	1620	2720	2000	560	180	240	710	3250	3280	400
1RP8 714-2HA90-0CJ0	14950	1500	1620	2720	2000	560	180	240	710	3250	3280	400
1RP8 716-2HA90-0CJ0	16050	1500	1620	2720	2240	560	180	240	710	3250	3520	400
1RP8 717-2HA90-0CJ0	16900	1500	1620	2720	2240	560	180	240	710	3250	3520	400
1RP8 718-2HA90-0CJ0	18150	1500	1620	2720	2240	560	180	240	710	3250	3520	400
4-pole												
1RP8 633-4HA90-0CG0	11100	1320	1520	2520	1600	375	200	280	630	3060	2610	350
1RP8 633-4HA90-0CJ0	11200	1320	1520	2520	1600	630	200	280	630	3060	3090	350
1RP8 634-4HA90-0CG0	11500	1320	1520	2520	1600	375	200	280	630	3060	2610	350
1RP8 634-4HA90-0CJ0	11650	1320	1520	2520	1600	630	200	280	630	3060	3090	350
1RP8 637-4HA90-0CG0	12400	1320	1520	2520	1800	375	200	280	630	3060	2810	350
1RP8 637-4HA90-0CJ0	12500	1320	1520	2520	1800	630	200	280	630	3060	3290	350
1RP8 638-4HA90-0CG0	13050	1320	1520	2520	1800	375	200	280	630	3060	2810	350
1RP8 638-4HA90-0CJ0	13150	1320	1520	2520	1800	630	200	280	630	3060	3290	350
1RP8 712-4HA90-0CG0	14750	1500	1620	2720	2000	375	220	280	710	3250	3010	400
1RP8 712-4HA90-0CJ0	14900	1500	1620	2720	2000	630	220	280	710	3250	3480	400



Motor type	Weight	Dimensions										
		A	AD	AE	B	C	D	E	H	HD	L	ML
	kg	mm	mm	mm	mm	mm	mm	mm	mm	mm	mm	mm
Innomotics HV M - 1RP. WPII 11000 V / 50 Hz B3 (IM 1001) - Dimension drawings												
1RP8 713-4HA90-0CG0	15500	1500	1620	2720	2000	375	220	280	710	3250	3010	400
1RP8 713-4HA90-0CJ0	15600	1500	1620	2720	2000	630	220	280	710	3250	3480	400
1RP8 714-4HA90-0CG0	16150	1500	1620	2720	2000	375	220	280	710	3250	3010	400
1RP8 714-4HA90-0CJ0	16300	1500	1620	2720	2000	630	220	280	710	3250	3480	400
1RP8 717-4HA90-0CG0	17500	1500	1620	2720	2240	375	220	280	710	3250	3250	400
1RP8 717-4HA90-0CJ0	17650	1500	1620	2720	2240	630	220	280	710	3250	3720	400
1RP8 718-4HA90-0CG0	18050	1500	1620	2720	2240	375	220	280	710	3250	3250	400
1RP8 718-4HA90-0CJ0	18150	1500	1620	2720	2240	630	220	280	710	3250	3720	400
6-pole												
1RP8 632-6HA90-0CG0	11000	1320	1520	2520	1600	375	200	280	630	3060	2610	350
1RP8 632-6HA90-0CJ0	11100	1320	1520	2520	1600	630	200	280	630	3060	3090	350
1RP8 633-6HA90-0CG0	11450	1320	1520	2520	1600	375	200	280	630	3060	2610	350
1RP8 633-6HA90-0CJ0	11550	1320	1520	2520	1600	630	200	280	630	3060	3090	350
1RP8 634-6HA90-0CG0	12000	1320	1520	2520	1600	375	200	280	630	3060	2610	350
1RP8 634-6HA90-0CJ0	12100	1320	1520	2520	1600	630	200	280	630	3060	3090	350
1RP8 637-6HA90-0CG0	12750	1320	1520	2520	1800	375	200	280	630	3060	2810	350
1RP8 637-6HA90-0CJ0	12850	1320	1520	2520	1800	630	200	280	630	3060	3290	350
1RP8 638-6HA90-0CG0	13300	1320	1520	2520	1800	375	200	280	630	3060	2810	350
1RP8 638-6HA90-0CJ0	13400	1320	1520	2520	1800	630	200	280	630	3060	3290	350
1RP8 712-6HA90-0CG0	14750	1500	1620	2720	2000	375	220	280	710	3250	3010	400
1RP8 712-6HA90-0CJ0	14850	1500	1620	2720	2000	630	220	280	710	3250	3480	400
1RP8 713-6HA90-0CG0	15650	1500	1620	2720	2000	375	220	280	710	3250	3010	400
1RP8 713-6HA90-0CJ0	15800	1500	1620	2720	2000	630	220	280	710	3250	3480	400

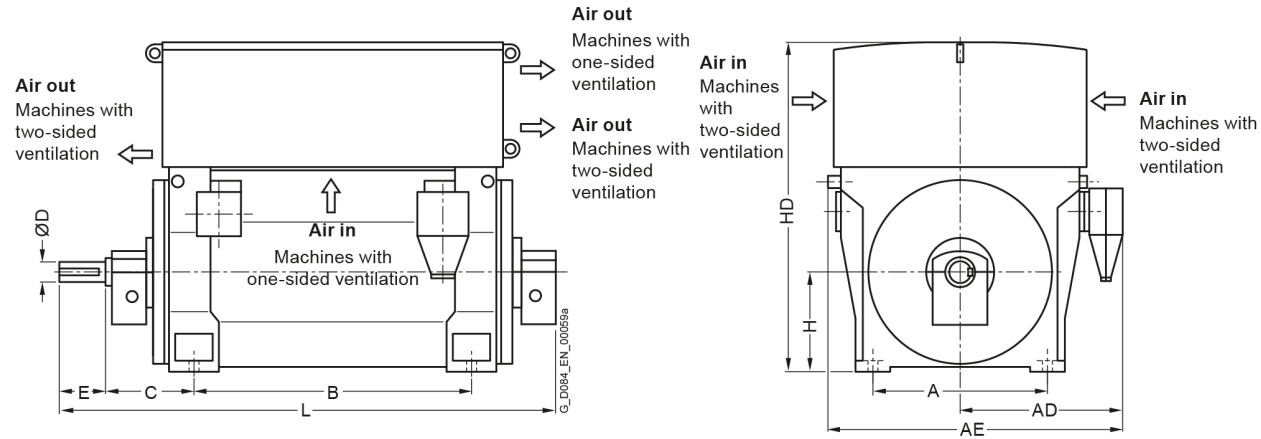


Motor type	Weight	Dimensions										
		A	AD	AE	B	C	D	E	H	HD	L	ML
	kg	mm	mm	mm	mm	mm	mm	mm	mm	mm	mm	mm
Innomotics HV M - 1RP. WPII 11000 V / 50 Hz B3 (IM 1001) - Dimension drawings												
1RP8 714-6HA90-0CG0	16650	1500	1620	2720	2000	375	220	280	710	3250	3010	400
1RP8 714-6HA90-0CJ0	16800	1500	1620	2720	2000	630	220	280	710	3250	3480	400
1RP8 717-6HA90-0CG0	18250	1500	1620	2720	2240	375	220	280	710	3250	3250	400
1RP8 717-6HA90-0CJ0	18350	1500	1620	2720	2240	630	220	280	710	3250	3720	400
1RP8 718-6HA90-0CG0	19250	1500	1620	2720	2240	375	220	280	710	3250	3250	400
1RP8 718-6HA90-0CJ0	19400	1500	1620	2720	2240	630	220	280	710	3250	3720	400
8-pole												
1RP8 633-8HA90-0CG0	9800	1320	1520	2520	1600	375	200	280	630	2880	2610	350
1RP8 633-8HA90-0CJ0	9900	1320	1520	2520	1600	630	200	280	630	2880	3090	350
1RP8 634-8HA90-0CG0	10500	1320	1520	2520	1600	375	200	280	630	2880	2610	350
1RP8 634-8HA90-0CJ0	10600	1320	1520	2520	1600	630	200	280	630	2880	3090	350
1RP8 637-8HA90-0CG0	11750	1320	1520	2520	1800	375	200	280	630	2880	2810	350
1RP8 637-8HA90-0CJ0	11850	1320	1520	2520	1800	630	200	280	630	2880	3290	350
1RP8 638-8HA90-0CG0	12450	1320	1520	2520	1800	375	200	280	630	2880	2810	350
1RP8 638-8HA90-0CJ0	12550	1320	1520	2520	1800	630	200	280	630	2880	3290	350
1RP8 712-8HA90-0CG0	14250	1500	1620	2720	2000	375	220	280	710	3250	3010	400
1RP8 712-8HA90-0CJ0	14400	1500	1620	2720	2000	630	220	280	710	3250	3480	400
1RP8 713-8HA90-0CG0	15050	1500	1620	2720	2000	375	220	280	710	3250	3010	400
1RP8 713-8HA90-0CJ0	15250	1500	1620	2720	2000	630	220	280	710	3250	3480	400
1RP8 714-8HA90-0CG0	16150	1500	1620	2720	2000	375	220	280	710	3250	3010	400
1RP8 714-8HA90-0CJ0	16350	1500	1620	2720	2000	630	220	280	710	3250	3480	400
1RP8 717-8HA90-0CG0	17850	1500	1620	2720	2240	375	220	280	710	3250	3250	400
1RP8 717-8HA90-0CJ0	18000	1500	1620	2720	2240	630	220	280	710	3250	3720	400



Motor type	Weight	Dimensions										
		A	AD	AE	B	C	D	E	H	HD	L	ML
	kg	mm	mm	mm	mm	mm	mm	mm	mm	mm	mm	mm
Innomotics HV M - 1RP. WPII 11000 V / 50 Hz B3 (IM 1001) - Dimension drawings												
1RP8 718-8HA90-0CG0	18850	1500	1620	2720	2240	375	220	280	710	3250	3250	400
1RP8 718-8HA90-0CJ0	19050	1500	1620	2720	2240	630	220	280	710	3250	3720	400

Innomotics HV M - 1RP. WPII 13800 V / 60 Hz B3 (IM 1001)																			
Rated power IEC	Article No.	Speed	Rated current I_R	Efficiency				Power factor				Torque T_R	Breakdown torque T_B/ T_R	Locked torque T_{LR}/ T_R	rotor Locked current I_{LR}/ I_R	Inertia			
				5/4 load	4/4 load	3/4 load	2/4 load	5/4 load	4/4 load	3/4 load	2/4 load					T_R	T_B/ T_R	T_{LR}/ T_R	rotor
kW		rpm	A	%	%	%	%	$\cos \varphi$	$\cos \varphi$	$\cos \varphi$	$\cos \varphi$	Nm	[-]	[-]	[-]	kgm ²	kgm ²	kgm ²	[-]
2-pole: $n_{sync} = 3600$ rpm at 60 Hz																			
6600	1RP8 633-2HA20-0CJ0	3585	315	96.6	96.8	96.5	95.6	0.88	0.90	0.89	0.87	17580	2.20	0.55	5.4	82	200		o.r.
8050	1RP8 637-2HA20-0CJ0	3587	380	96.9	97.1	96.7	95.8	0.90	0.91	0.90	0.87	21431	2.60	0.65	6.0	98	200		o.r.
10750	1RP8 714-2HA20-0CJ0	3588	520	96.9	96.9	96.5	95.5	0.89	0.90	0.90	0.88	28611	2.30	0.60	5.8	173	110		o.r.
12550	1RP8 717-2HA20-0CJ0	3589	590	97.1	97.1	96.8	95.9	0.90	0.91	0.91	0.89	33392	2.45	0.60	6.0	202	110		o.r.
4-pole: $n_{sync} = 1800$ rpm at 60 Hz																			
5850	1RP8 633-4HA20-0C.0	1792	280	96.8	97.2	97.3	96.9	0.89	0.90	0.89	0.85	31174	2.40	0.55	5.9	151	550		o.r.
7200	1RP8 637-4HA20-0C.0	1793	345	97.1	97.4	97.4	97.0	0.89	0.90	0.88	0.84	38346	2.55	0.60	6.0	181	660		o.r.
9250	1RP8 713-4HA20-0C.0	1793	440	97.1	97.4	97.4	97.0	0.89	0.90	0.89	0.84	49264	2.60	0.50	6.0	282	690		o.r.
11050	1RP8 717-4HA20-0C.0	1793	530	97.3	97.5	97.6	97.2	0.89	0.90	0.90	0.86	58851	2.55	0.45	6.0	342	780		o.r.
6-pole: $n_{sync} = 1200$ rpm at 60 Hz																			
4950	1RP8 633-6HA20-0C.0	1193	245	96.5	97.0	97.1	96.8	0.85	0.87	0.84	0.77	39622	2.30	0.55	5.5	209	1400		o.r.
6050	1RP8 637-6HA20-0C.0	1194	300	96.8	97.1	97.2	96.8	0.86	0.87	0.83	0.76	48386	2.50	0.60	5.5	246	1900		o.r.
8650	1RP8 714-6HA20-0C.0	1195	425	97.2	97.5	97.6	97.3	0.86	0.87	0.85	0.78	69123	2.40	0.50	5.5	422	1910		o.r.
9550	1RP8 717-6HA20-0C.0	1195	470	97.3	97.5	97.6	97.2	0.86	0.87	0.84	0.77	76314	2.45	0.50	5.5	474	2060		o.r.



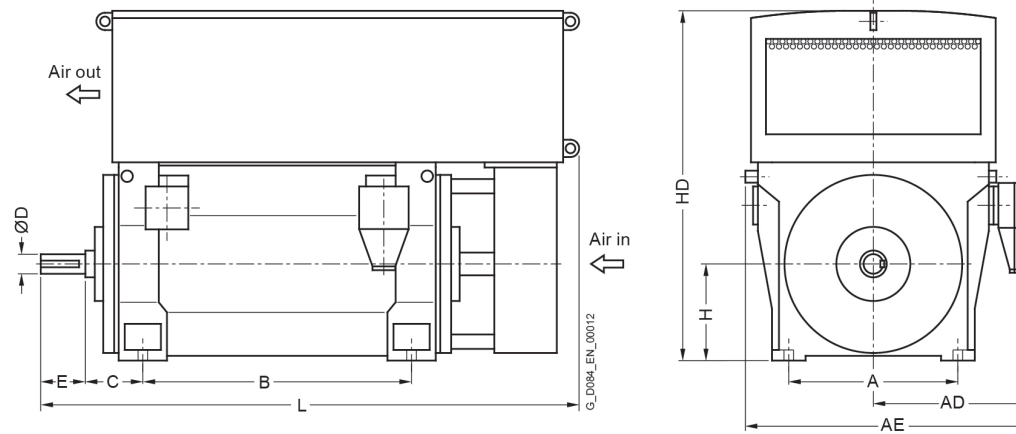
Motor type	Weight	Dimensions										
		A	AD	AE	B	C	D	E	H	HD	L	ML
	kg	mm	mm	mm	mm	mm	mm	mm	mm	mm	mm	mm
Innomotics HV M - 1RP. WPII 13800 V / 60 Hz B3 (IM 1001) - Dimension drawings												
2-pole												
1RP8 633-2HA20-0CJ0	10200	1320	1647	2647	1600	560	160	240	630	3060	2890	350
1RP8 637-2HA20-0CJ0	11500	1320	1647	2647	1800	560	160	240	630	3060	3090	350
1RP8 714-2HA20-0CJ0	14750	1500	1747	2847	2000	560	180	240	710	3250	3280	400
1RP8 717-2HA20-0CJ0	16600	1500	1747	2847	2240	560	180	240	710	3250	3520	400
4-pole												
1RP8 633-4HA20-0CG0	10900	1320	1647	2647	1600	375	200	280	630	3060	2610	350
1RP8 633-4HA20-0CJ0	11000	1320	1647	2647	1600	630	200	280	630	3060	3090	350
1RP8 637-4HA20-0CG0	12250	1320	1647	2647	1800	375	200	280	630	3060	2810	350
1RP8 637-4HA20-0CJ0	12350	1320	1647	2647	1800	630	200	280	630	3060	3290	350
1RP8 713-4HA20-0CG0	15200	1500	1747	2847	2000	375	220	280	710	3250	3010	400
1RP8 713-4HA20-0CJ0	15300	1500	1747	2847	2000	630	220	280	710	3250	3480	400
1RP8 717-4HA20-0CG0	17200	1500	1747	2847	2240	375	220	280	710	3250	3250	400
1RP8 717-4HA20-0CJ0	17350	1500	1747	2847	2240	630	220	280	710	3250	3720	400
6-pole												
1RP8 633-6HA20-0CG0	11300	1320	1647	2647	1600	375	200	280	630	3060	2610	350
1RP8 633-6HA20-0CJ0	11400	1320	1647	2647	1600	630	200	280	630	3060	3090	350
1RP8 637-6HA20-0CG0	12600	1320	1647	2647	1800	375	200	280	630	3060	2810	350
1RP8 637-6HA20-0CJ0	12700	1320	1647	2647	1800	630	200	280	630	3060	3290	350
1RP8 714-6HA20-0CG0	16500	1500	1747	2847	2000	375	220	280	710	3250	3010	400
1RP8 714-6HA20-0CJ0	16600	1500	1747	2847	2000	630	220	280	710	3250	3480	400
1RP8 717-6HA20-0CG0	17900	1500	1747	2847	2240	375	220	280	710	3250	3250	400
1RP8 717-6HA20-0CJ0	18050	1500	1747	2847	2240	630	220	280	710	3250	3720	400

Innomotics HV M - 1SG. IC611 6000 V / 50 Hz B3 (IM 1001)																		
Rated power IEC	Article No.	Speed	Rated current I_R	Efficiency				Power factor				Torque T_R	Breakdown torque T_B/ T_R	Locked rotor torque T_{LR}/ T_R	Locked rotor current I_{LR}/ I_R	Inertia		
				5/4 load	4/4 load	3/4 load	2/4 load	5/4 load	4/4 load	3/4 load	2/4 load					motor	external	Startup max T/TR
kW		rpm	A	%	%	%	%	cos φ	cos φ	cos φ	cos φ	Nm	[-]	[-]	[-]	kgm ²	kgm ²	[-]
2-pole: n_{sync} = 3000 rpm at 50 Hz																		
1410	1SG7 453-2JA60-0A.2	2978	158	95.5	95.9	96.1	95.5	0.88	0.89	0.88	0.84	4525	2.40	0.55	5.5	10	55	o.r.
1440	1SG7 453-2JA60-0C.2	2976	162	95.4	96.0	96.2	95.8	0.87	0.89	0.89	0.86	4625	2.15	0.55	4.7	14	135	o.r.
1600	1SG7 454-2JA60-0A.2	2978	180	95.6	96.0	96.1	95.5	0.88	0.89	0.88	0.83	5133	2.40	0.55	5.5	11	55	o.r.
1600	1SG7 454-2JA60-0C.2	2978	178	95.6	96.1	96.1	95.5	0.88	0.90	0.89	0.85	5131	2.45	0.60	5.4	15	135	o.r.
1800	1SG7 457-2JA60-0A.2	2976	200	95.6	96.1	96.4	96.1	0.88	0.90	0.90	0.87	5778	2.40	0.55	5.5	12	55	o.r.
1800	1SG7 457-2JA60-0C.2	2978	200	95.7	96.2	96.3	95.9	0.90	0.90	0.90	0.87	5774	2.50	0.65	5.5	16	135	o.r.
2000	1SG7 458-2JA60-0A.2	2976	220	95.9	96.3	96.5	96.1	0.89	0.90	0.90	0.86	6419	2.50	0.60	5.6	13	60	o.r.
2000	1SG7 458-2JA60-0C.2	2978	220	95.9	96.4	96.6	96.1	0.89	0.90	0.90	0.87	6416	2.50	0.65	5.5	18	140	o.r.
2120	1SG7 503-2JA60-0A.2	2970	240	95.7	96.2	96.4	96.2	0.88	0.89	0.88	0.84	6817	2.50	0.65	4.9	15	44	o.r.
2200	1SG7 503-2JA60-0C.2	2975	245	95.9	96.4	96.6	96.3	0.88	0.89	0.89	0.86	7065	2.35	0.65	4.6	20	120	o.r.
2160	1SG7 504-2JA60-0A.2	2971	240	95.9	96.3	96.5	96.2	0.89	0.90	0.88	0.84	6941	2.65	0.60	5.2	15	52	o.r.
2260	1SG7 504-2JA60-0C.2	2975	250	96.0	96.4	96.6	96.4	0.89	0.90	0.90	0.85	7255	2.50	0.65	4.8	21	124	o.r.
2510	1SG7 507-2JA60-0A.2	2973	280	96.2	96.6	96.8	96.5	0.90	0.90	0.89	0.84	8061	2.75	0.75	5.6	18	58	o.r.
2630	1SG7 507-2JA60-0C.2	2977	290	96.3	96.7	96.9	96.6	0.90	0.91	0.90	0.86	8437	2.60	0.75	5.1	24	128	o.r.
2700	1SG7 508-2JA60-0A.2	2975	295	96.4	96.8	96.9	96.7	0.91	0.91	0.90	0.85	8664	2.95	0.85	6.1	20	72	o.r.
2840	1SG7 508-2JA60-0C.2	2979	305	96.5	96.9	97.0	96.8	0.91	0.92	0.91	0.87	9105	2.75	0.85	5.6	27	144	o.r.
3200	1SG7 562-2JA60-0CC2	2984	350	96.3	96.4	96.3	95.6	0.91	0.91	0.90	0.86	10247	2.55	0.70	5.8	41	260	o.r.
3550	1SG7 563-2JA60-0CC2	2984	390	96.5	96.6	96.5	95.8	0.90	0.91	0.90	0.86	11367	2.55	0.65	5.7	44	270	o.r.
4000	1SG7 564-2JA60-0CC2	2983	440	96.4	96.5	96.3	95.6	0.91	0.91	0.91	0.87	12814	2.45	0.65	5.5	47	275	o.r.
4500	1SG7 567-2JA60-0CC2	2984	485	96.6	96.7	96.5	95.8	0.92	0.92	0.91	0.87	14407	2.60	0.65	5.9	52	275	o.r.
5000	1SG7 568-2JA60-0CC2	2986	540	96.9	96.8	96.7	95.9	0.92	0.92	0.90	0.86	15993	2.85	0.65	5.9	58	295	o.r.
5600	1SG8 633-2JA60-0CJ0	2983	630	96.4	96.7	96.4	95.5	0.87	0.89	0.90	0.88	17927	2.20	0.60	5.2	82	250	o.r.
6100	1SG8 634-2JA60-0CJ0	2983	670	96.5	96.9	96.6	95.8	0.88	0.90	0.90	0.89	19528	2.20	0.60	5.2	90	250	o.r.
6750	1SG8 637-2JA60-0CJ0	2984	740	96.8	97.1	96.8	96.0	0.89	0.91	0.91	0.90	21601	2.35	0.65	5.5	99	260	o.r.
7300	1SG8 638-2JA60-0CJ0	2985	790	96.9	97.2	96.9	96.1	0.90	0.91	0.91	0.89	23353	2.50	0.65	5.9	107	270	o.r.
7950	1SG8 712-2JA60-0CJ0	2986	890	96.6	96.7	96.5	95.6	0.86	0.89	0.89	0.88	25424	2.00	0.55	4.7	149	190	o.r.
8550	1SG8 713-2JA60-0CJ0	2987	940	96.7	96.9	96.6	95.7	0.87	0.90	0.90	0.88	27334	2.15	0.60	5.1	160	149	o.r.
8800	1SG8 714-2JA60-0CJ0	2988	970	96.8	96.9	96.6	95.7	0.88	0.90	0.90	0.88	28124	2.25	0.45	5.2	172	240	o.r.
9100	1SG8 716-2JA60-0CJ0	2985	990	96.8	97.0	96.8	96.1	0.88	0.91	0.92	0.92	29112	2.05	0.55	4.8	186	210	o.r.
10100	1SG8 717-2JA60-0CJ0	2986	1100	97.0	97.2	97.0	96.4	0.88	0.91	0.92	0.91	32300	2.05	0.55	4.9	201	220	o.r.
11000	1SG8 718-2JA60-0CJ0	2988	1180	97.3	97.4	97.1	96.4	0.90	0.92	0.91	0.90	35155	2.25	0.50	5.4	217	250	o.r.
4-pole: n_{sync} = 1500 rpm at 50 Hz																		
1320	1SG7 453-4JA60-0A.2	1483	150	95.0	95.7	95.8	95.6	0.87	0.88	0.86	0.80	8504	2.50	0.70	5.7	17	275	o.r.
1400	1SG7 453-4JA60-0C.2	1486	160	95.2	95.8	96.0	95.8	0.87	0.88	0.87	0.82	9008	2.25	0.50	5.0	23	500	o.r.
1430	1SG7 454-4JA60-0A.0	1484	166	95.1	95.7	95.9	95.6	0.87	0.87	0.83	0.74	9206	2.70	0.85	5.9	19	325	o.r.
1600	1SG7 454-4JA60-0C.2	1486	182	95.4	96.0	96.2	95.9	0.87	0.88	0.86	0.80	10288	2.35	0.50	5.0	26	535	o.r.

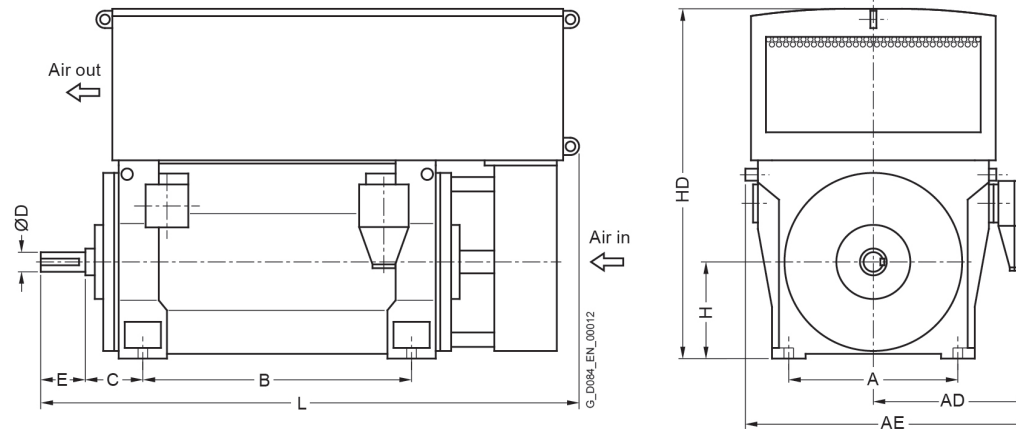
Innomotics HV M - 1SG. IC611 6000 V / 50 Hz B3 (IM 1001)																		
Rated power IEC	Article No.	Speed	Rated current I_R	Efficiency				Power factor				Torque T_R	Breakdown torque T_B/ T_R	Locked rotor torque T_{LR}/ T_R	Locked rotor current I_{LR}/ I_R	Inertia		
				5/4 load	4/4 load	3/4 load	2/4 load	5/4 load	4/4 load	3/4 load	2/4 load					motor	external	Startup max T/TR
kW		rpm	A	%	%	%	%	cos φ	cos φ	cos φ	cos φ	Nm	[-]	[-]	[-]	kgm ²	kgm ²	[-]
1800	1SG7 457-4JA60-0C.2	1488	205	95.9	96.3	96.4	96.1	0.88	0.88	0.86	0.79	11554	2.65	0.60	6.0	30	690	o.r.
1660	1SG7 457-4JA60-0A.2	1484	184	95.5	96.1	96.3	96.1	0.89	0.90	0.88	0.83	10686	2.65	0.80	5.8	22	375	o.r.
2000	1SG7 458-4JA60-0C.2	1489	225	96.0	96.4	96.5	96.2	0.88	0.88	0.86	0.78	12833	2.75	0.60	6.0	33	730	o.r.
1800	1SG7 458-4JA60-0A.2	1485	200	95.7	96.2	96.4	96.2	0.89	0.90	0.88	0.83	11581	2.75	0.85	6.0	24	410	o.r.
2170	1SG7 503-4JA60-0C.2	1488	245	96.0	96.4	96.6	96.2	0.89	0.89	0.87	0.82	13931	2.55	0.65	5.2	45	690	o.r.
2100	1SG7 503-4JA60-0A.2	1485	235	95.7	96.3	96.6	96.3	0.88	0.90	0.89	0.85	13517	2.30	0.80	5.1	37	560	o.r.
2370	1SG7 504-4JA60-0C.2	1489	260	96.2	96.6	96.7	96.3	0.89	0.90	0.87	0.82	15207	2.60	0.70	5.5	50	735	o.r.
2240	1SG7 504-4JA60-0A.2	1485	250	95.8	96.4	96.7	96.4	0.89	0.90	0.89	0.86	14412	2.40	0.90	5.4	40	605	o.r.
2650	1SG7 507-4JA60-0C.2	1490	295	96.4	96.7	96.9	96.4	0.89	0.90	0.87	0.82	16997	2.60	0.70	5.5	56	825	o.r.
2470	1SG7 507-4JA60-0A.2	1485	270	96.0	96.5	96.8	96.6	0.89	0.91	0.90	0.87	15890	2.50	0.95	5.6	46	675	o.r.
2880	1SG7 508-4JA60-0C.2	1491	320	96.5	96.8	96.9	96.5	0.89	0.89	0.87	0.81	18460	2.90	0.75	6.0	62	865	o.r.
2700	1SG7 508-4JA60-0A.2	1488	300	96.2	96.7	97.0	96.8	0.89	0.90	0.90	0.87	17368	2.45	0.90	5.6	50	795	o.r.
3150	1SG7 563-4JA60-0C.2	1491	355	96.6	96.9	97.1	96.8	0.88	0.88	0.87	0.83	20188	2.35	0.65	5.6	80	680	o.r.
3600	1SG7 564-4JA60-0C.2	1490	401	96.6	97.0	97.2	97.0	0.88	0.89	0.89	0.86	23090	2.20	0.60	5.2	90	780	o.r.
4100	1SG7 566-4JA60-0C.2	1490	451	96.7	97.1	97.3	97.2	0.88	0.90	0.90	0.87	26297	2.20	0.70	5.3	100	780	o.r.
4650	1SG7 567-4JA60-0C.2	1491	517	97.0	97.2	97.4	97.2	0.88	0.89	0.88	0.84	29796	2.40	0.65	5.7	109	860	o.r.
5000	1SG7 568-4JA60-0C.2	1492	556	97.1	97.3	97.5	97.1	0.89	0.89	0.87	0.81	32005	2.70	0.80	6.5	119	830	o.r.
5500	1SG8 633-4JA60-0C.0	1491	610	96.6	97.0	96.9	96.4	0.88	0.89	0.88	0.84	35225	2.40	0.60	5.7	151	660	o.r.
5850	1SG8 634-4JA60-0C.0	1491	640	96.7	97.0	97.0	96.5	0.88	0.90	0.89	0.85	37467	2.40	0.60	5.8	166	760	o.r.
6550	1SG8 637-4JA60-0C.0	1492	720	96.9	97.2	97.1	96.6	0.89	0.90	0.88	0.84	41922	2.50	0.60	6.0	181	820	o.r.
7250	1SG8 638-4JA60-0C.0	1492	810	97.0	97.3	97.2	96.7	0.88	0.89	0.87	0.81	46402	2.55	0.60	6.0	197	910	o.r.
7950	1SG8 712-4JA60-0C.0	1492	880	97.0	97.3	97.3	96.8	0.88	0.89	0.88	0.84	50883	2.35	0.50	5.5	258	830	o.r.
8450	1SG8 713-4JA60-0C.0	1492	940	97.2	97.4	97.4	96.9	0.89	0.89	0.88	0.84	54083	2.50	0.50	5.8	282	930	o.r.
9150	1SG8 714-4JA60-0C.0	1493	1000	97.3	97.5	97.5	97.1	0.89	0.90	0.89	0.85	58524	2.60	0.55	6.0	310	1040	o.r.
10100	1SG8 717-4JA60-0C.0	1493	1100	97.4	97.6	97.6	97.2	0.89	0.90	0.89	0.85	64600	2.60	0.55	6.0	344	1140	o.r.
10350	1SG8 718-4JA60-0C.0	1492	1120	97.3	97.6	97.7	97.3	0.90	0.91	0.91	0.89	66243	2.55	0.55	6.0	365	1170	o.r.
6-pole: n_{sync} = 1000 rpm at 50 Hz																		
1080	1SG7 453-6JA60-0A.2	989	128	94.7	95.5	95.8	95.6	0.85	0.85	0.82	0.74	10435	2.20	0.80	5.1	22	845	o.r.
1100	1SG7 453-6JA60-0C.0	989	130	94.6	95.4	95.8	95.7	0.85	0.86	0.84	0.77	10628	2.25	0.65	5.0	30	1030	o.r.
1230	1SG7 454-6JA60-0C.2	989	146	94.9	95.6	95.9	95.8	0.85	0.85	0.83	0.75	11883	2.30	0.65	5.0	33	1300	o.r.
1120	1SG7 454-6JA60-0A.2	990	132	94.8	95.6	95.9	95.8	0.85	0.86	0.83	0.75	10816	2.40	0.85	5.5	24	875	o.r.
1320	1SG7 457-6JA60-0A.0	990	156	95.0	95.7	96.0	95.9	0.85	0.85	0.82	0.74	12747	2.40	0.80	5.3	28	1130	o.r.
1350	1SG7 457-6JA60-0C.0	989	158	95.0	95.7	96.0	96.0	0.85	0.86	0.84	0.77	13034	2.35	0.65	5.1	36	1365	o.r.
1420	1SG7 458-6JA60-0A.2	991	166	95.3	95.9	96.2	96.0	0.86	0.86	0.82	0.73	13697	2.55	0.90	5.8	31	1250	o.r.
1450	1SG7 458-6JA60-0C.2	990	168	95.3	96.0	96.2	96.1	0.86	0.87	0.84	0.77	13990	2.50	0.70	5.3	41	1470	o.r.
1880	1SG7 503-6JA60-0C.2	992	210	95.8	96.3	96.5	96.3	0.84	0.86	0.82	0.74	18109	2.35	0.75	4.7	60	1740	o.r.
1860	1SG7 503-6JA60-0A.2	990	210	95.4	96.1	96.5	96.5	0.84	0.86	0.84	0.78	17956	2.15	0.85	4.6	46	1560	o.r.

Innomotics HV M - 1SG. IC611 6000 V / 50 Hz B3 (IM 1001)																		
Rated power IEC	Article No.	Speed	Rated current I_R	Efficiency				Power factor				Torque T_R	Breakdown torque T_B/ T_R	Locked rotor torque T_{LR}/ T_R	Locked rotor current I_{LR}/ I_R	Inertia		
				5/4 load	4/4 load	3/4 load	2/4 load	5/4 load	4/4 load	3/4 load	2/4 load					motor	external	Startup max T/TR
kW		rpm	A	%	%	%	%	cos φ	cos φ	cos φ	cos φ	Nm	[-]	[-]	[-]	kgm ²	kgm ²	[-]
1960	1SG7 504-6JA60-0A.2	990	230	95.7	96.3	96.6	96.5	0.85	0.86	0.84	0.77	18901	2.35	0.90	5.0	51	1890	o.r.
2000	1SG7 504-6JA60-0C.2	992	230	95.9	96.4	96.7	96.5	0.85	0.86	0.84	0.77	19263	2.40	0.85	4.9	66	2070	o.r.
2280	1SG7 507-6JA60-0C.2	992	260	96.1	96.6	96.8	96.7	0.85	0.86	0.84	0.77	21960	2.35	0.75	4.8	74	2440	o.r.
2000	1SG7 507-6JA60-0A.2	990	230	95.6	96.2	96.7	96.7	0.86	0.86	0.87	0.82	19302	2.15	0.90	4.7	58	1800	o.r.
2310	1SG7 508-6JA60-0C.2	992	265	96.1	96.7	96.9	96.8	0.86	0.86	0.86	0.80	22248	2.30	0.80	4.7	80	2270	o.r.
2260	1SG7 508-6JA60-0A.2	990	255	95.9	96.4	96.9	96.8	0.86	0.86	0.86	0.82	21803	2.25	0.90	4.9	63	2240	o.r.
2500	1SG7 561-6JA60-0C.2	992	290	95.8	96.3	96.6	96.5	0.85	0.86	0.85	0.81	24089	1.90	0.60	5.5	97	2025	o.r.
2700	1SG7 562-6JA60-0C.2	992	315	96.0	96.4	96.7	96.7	0.85	0.86	0.85	0.82	26010	2.00	0.60	5.5	105	2245	o.r.
2900	1SG7 563-6JA60-0C.2	992	335	96.0	96.6	96.7	96.5	0.85	0.86	0.85	0.81	27928	2.00	0.60	5.5	113	2540	o.r.
3250	1SG7 564-6JA60-0C.2	992	375	96.1	96.6	96.8	96.6	0.85	0.86	0.86	0.81	31299	2.00	0.60	5.5	124	2485	o.r.
3450	1SG7 567-6JA60-0C.2	993	400	96.3	96.7	96.9	96.7	0.86	0.86	0.86	0.81	33189	2.00	0.60	5.5	137	2885	o.r.
3800	1SG7 568-6JA60-0C.2	993	440	96.6	96.9	97.0	96.8	0.86	0.86	0.85	0.80	36543	2.00	0.60	6.0	151	3430	o.r.
4200	1SG8 632-6JA60-0C.0	992	485	96.2	96.6	96.7	96.2	0.85	0.86	0.83	0.76	40430	2.25	0.55	5.1	193	2140	o.r.
4400	1SG8 633-6JA60-0C.0	992	500	96.2	96.7	96.8	96.4	0.85	0.87	0.85	0.80	42356	2.20	0.60	5.1	209	2370	o.r.
4850	1SG8 634-6JA60-0C.0	993	560	96.5	96.8	96.9	96.3	0.85	0.86	0.82	0.74	46641	2.40	0.60	5.4	227	2640	o.r.
5150	1SG8 637-6JA60-0C.0	993	590	96.6	96.9	96.9	96.4	0.86	0.87	0.83	0.76	49526	2.50	0.60	5.5	247	2930	o.r.
5400	1SG8 638-6JA60-0C.0	993	620	96.7	97.0	97.0	96.5	0.86	0.87	0.83	0.75	51930	2.50	0.60	5.5	264	3300	o.r.
6150	1SG8 712-6JA60-0C.0	993	700	96.8	97.2	97.3	96.9	0.85	0.87	0.85	0.79	59142	2.25	0.55	5.3	331	2520	o.r.
6700	1SG8 713-6JA60-0C.0	994	760	96.9	97.3	97.4	97.0	0.86	0.87	0.86	0.80	64366	2.30	0.55	5.4	373	2990	o.r.
7350	1SG8 714-6JA60-0C.0	995	840	97.1	97.4	97.4	96.9	0.85	0.86	0.83	0.74	70540	2.40	0.50	5.5	420	3730	o.r.
8150	1SG8 717-6JA60-0C.0	995	940	97.2	97.5	97.5	97.0	0.85	0.86	0.83	0.75	78218	2.45	0.50	5.5	474	4310	o.r.
8650	1SG8 718-6JA60-0C.0	995	960	97.2	97.6	97.7	97.4	0.88	0.89	0.87	0.83	83016	2.45	0.60	5.5	524	4370	o.r.
8-pole: n_{sync} = 750 rpm at 50 Hz																		
740	1SG7 452-8JA60-0A.0	739	93	93.8	94.9	95.4	95.3	0.79	0.81	0.78	0.70	9562	1.80	0.60	4.2	25	1710	o.r.
840	1SG7 453-8JA60-0A.0	739	104	94.0	95.1	95.5	95.5	0.80	0.81	0.78	0.70	10852	1.80	0.55	4.1	28	2070	o.r.
910	1SG7 454-8JA60-0A.2	740	114	94.4	95.3	95.6	95.4	0.81	0.81	0.77	0.68	11739	2.00	0.65	4.5	31	2310	o.r.
1010	1SG7 457-8JA60-0A.2	741	128	94.8	95.5	95.6	95.3	0.81	0.80	0.75	0.63	13015	2.20	0.70	4.8	35	2700	o.r.
1120	1SG7 458-8JA60-0A.2	741	140	94.7	95.5	95.7	95.5	0.81	0.81	0.76	0.65	14441	2.10	0.70	4.8	39	2750	o.r.
1250	1SG7 502-8JA60-0A.2	743	154	95.3	95.9	96.2	96.1	0.81	0.81	0.78	0.70	16082	2.15	0.85	4.3	46	2580	o.r.
1400	1SG7 503-8JA60-0A.2	742	172	95.3	96.0	96.4	96.4	0.82	0.82	0.79	0.73	18011	2.05	0.80	4.2	51	2660	o.r.
1400	1SG7 503-8JA60-0C.2	742	170	95.3	96.0	96.4	96.4	0.82	0.83	0.80	0.74	18021	2.10	0.55	4.0	65	3440	o.r.
1500	1SG7 504-8JA60-0A.2	743	180	95.5	96.1	96.5	96.5	0.81	0.83	0.81	0.74	19295	2.10	0.80	4.3	56	2900	o.r.
1520	1SG7 504-8JA60-0C.2	742	184	95.4	96.1	96.5	96.6	0.81	0.83	0.82	0.74	19567	2.10	0.55	4.0	72	4010	o.r.
1600	1SG7 507-8JA60-0A.2	744	194	95.8	96.3	96.5	96.3	0.83	0.82	0.79	0.69	20560	2.35	0.95	4.8	63	3560	o.r.
1600	1SG7 507-8JA60-0C.2	743	192	95.8	96.3	96.5	96.4	0.83	0.83	0.79	0.71	20564	2.40	0.70	4.6	80	4900	o.r.
1800	1SG7 508-8JA60-0A.2	743	215	95.8	96.4	96.7	96.7	0.83	0.83	0.81	0.74	23162	2.15	0.85	4.4	69	3520	o.r.
1800	1SG7 508-8JA60-0C.2	743	215	95.8	96.4	96.7	96.8	0.83	0.84	0.81	0.74	23164	2.25	0.60	4.3	88	5270	o.r.

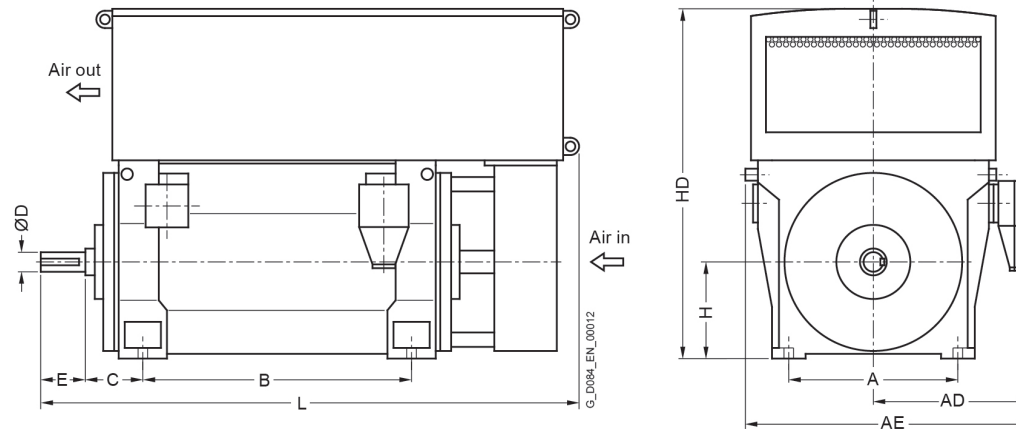
Innomotics HV M - 1SG. IC611 6000 V / 50 Hz B3 (IM 1001)																		
Rated power IEC	Article No.	Speed	Rated current I_R	Efficiency				Power factor				Torque T_R	Breakdown torque T_B/ T_R	Locked rotor torque T_{LR}/ T_R	Locked rotor current I_{LR}/ I_R	Inertia		
				5/4 load	4/4 load	3/4 load	2/4 load	5/4 load	4/4 load	3/4 load	2/4 load					motor	external	Startup max T/TR
kW		rpm	A	%	%	%	%	$\cos \varphi$	$\cos \varphi$	$\cos \varphi$	$\cos \varphi$	Nm	[-]	[-]	[-]	kgm ²	kgm ²	[-]
2050	1SG7 563-8JA60-0C.2	744	245	95.8	96.3	96.6	96.4	0.83	0.83	0.80	0.73	26327	2.25	0.65	4.9	124	3105	o.r.
2240	1SG7 564-8JA60-0C.2	744	270	96.0	96.5	96.7	96.4	0.83	0.83	0.80	0.72	28750	2.35	0.65	5.2	137	3690	o.r.
2500	1SG7 567-8JA60-0C.2	744	295	96.1	96.6	96.9	96.6	0.83	0.84	0.81	0.74	32106	2.25	0.60	5.0	150	4895	o.r.
2800	1SG7 568-8JA60-0C.2	745	335	96.4	96.8	96.9	96.6	0.83	0.83	0.79	0.71	35921	2.45	0.70	5.4	165	6355	o.r.
2900	1SG8 633-8JA60-0C.0	743	340	95.5	96.1	96.2	95.9	0.84	0.85	0.82	0.74	37272	2.05	0.45	4.4	216	3890	o.r.
3550	1SG8 634-8JA60-0C.0	744	415	95.6	96.2	96.2	95.9	0.85	0.86	0.82	0.74	45565	2.20	0.50	4.8	251	3530	o.r.
3850	1SG8 637-8JA60-0C.0	744	450	96.1	96.4	96.4	95.9	0.85	0.85	0.80	0.70	49415	2.25	0.50	4.8	291	6660	o.r.
4100	1SG8 638-8JA60-0C.0	744	480	96.2	96.6	96.5	96.0	0.85	0.85	0.81	0.72	52624	2.25	0.50	4.9	324	7800	o.r.
4300	1SG8 712-8JA60-0C.0	745	455	96.3	96.7	96.8	96.4	0.87	0.87	0.84	0.77	55117	2.35	0.60	5.0	422	6050	o.r.
4600	1SG8 713-8JA60-0C.0	745	510	96.4	96.8	96.8	96.3	0.87	0.87	0.83	0.74	58962	2.50	0.55	5.3	472	5800	o.r.
5200	1SG8 714-8JA60-0C.0	745	570	96.6	96.9	96.9	96.5	0.87	0.87	0.83	0.75	66653	2.45	0.55	5.3	540	6300	o.r.
5800	1SG8 717-8JA60-0C.0	745	630	96.7	97.1	97.1	96.8	0.87	0.88	0.85	0.78	74344	2.40	0.60	5.2	618	8230	o.r.
6150	1SG8 718-8JA60-0C.0	745	690	96.8	97.1	97.2	96.9	0.88	0.88	0.85	0.79	78830	2.45	0.65	5.4	682	8470	o.r.



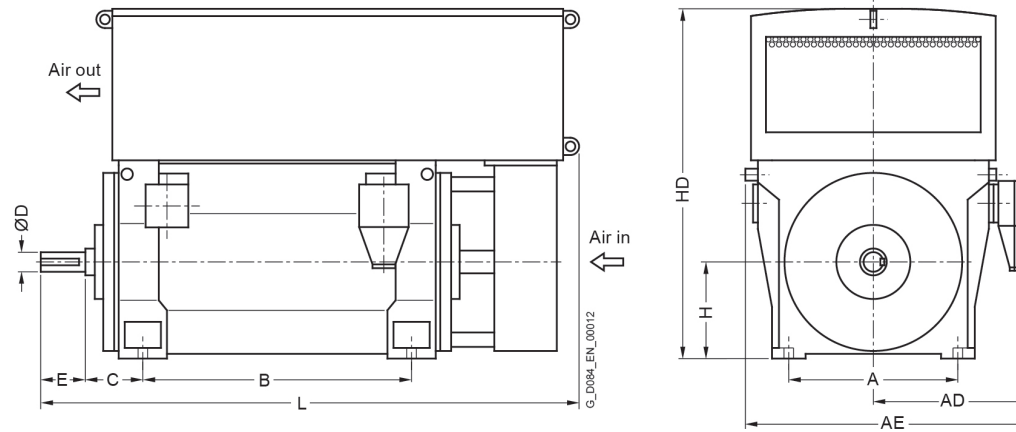
Motor type	Weight	Dimensions										
		A	AD	AE	B	C	D	E	H	HD	L	ML
	kg	mm	mm	mm	mm	mm	mm	mm	mm	mm	mm	mm
Innomotics HV M - 1SG. IC611 6000 V / 50 Hz B3 (IM 1001) - Dimension drawings												
2-pole												
1SG7 453-2JA60-0AA2	4600	850	925	1545	1180	250	95	130	450	1900	2650	200
1SG7 453-2JA60-0AC2	4500	850	925	1545	1180	475	95	130	450	1900	2880	200
1SG7 453-2JA60-0CA2	4750	850	925	1545	1180	250	95	130	450	1900	2650	200
1SG7 453-2JA60-0CC2	4650	850	925	1545	1180	475	95	130	450	1900	2880	200
1SG7 454-2JA60-0AA2	4750	850	925	1545	1180	250	95	130	450	1900	2650	200
1SG7 454-2JA60-0AC2	4600	850	925	1545	1180	475	95	130	450	1900	2880	200
1SG7 454-2JA60-0CA2	4850	850	925	1545	1180	250	95	130	450	1900	2650	200
1SG7 454-2JA60-0CC2	4750	850	925	1545	1180	475	95	130	450	1900	2880	200
1SG7 457-2JA60-0AA2	5150	850	925	1545	1400	250	95	130	450	1900	2860	200
1SG7 457-2JA60-0AC2	5050	850	925	1545	1400	475	95	130	450	1900	3090	200
1SG7 457-2JA60-0CA2	5300	850	925	1545	1400	250	95	130	450	1900	2860	200
1SG7 457-2JA60-0CC2	5200	850	925	1545	1400	475	95	130	450	1900	3090	200
1SG7 458-2JA60-0AA2	5350	850	925	1545	1400	250	95	130	450	1900	2860	200
1SG7 458-2JA60-0AC2	5250	850	925	1545	1400	475	95	130	450	1900	3090	200
1SG7 458-2JA60-0CA2	5500	850	925	1545	1400	250	95	130	450	1900	2860	200
1SG7 458-2JA60-0CC2	5450	850	925	1545	1400	475	95	130	450	1900	3090	200
1SG7 503-2JA60-0AA2	6350	950	1005	1705	1320	250	110	165	500	2210	2920	250
1SG7 503-2JA60-0AC2	6300	950	1005	1705	1320	530	120	165	500	2210	3200	250
1SG7 503-2JA60-0CA2	6500	950	1005	1705	1320	250	110	165	500	2210	2920	250
1SG7 503-2JA60-0CC2	6400	950	1005	1705	1320	530	120	165	500	2210	3200	250
1SG7 504-2JA60-0AA2	6400	950	1005	1705	1320	250	110	165	500	2210	2920	250
1SG7 504-2JA60-0AC2	6350	950	1005	1705	1320	530	120	165	500	2210	3200	250



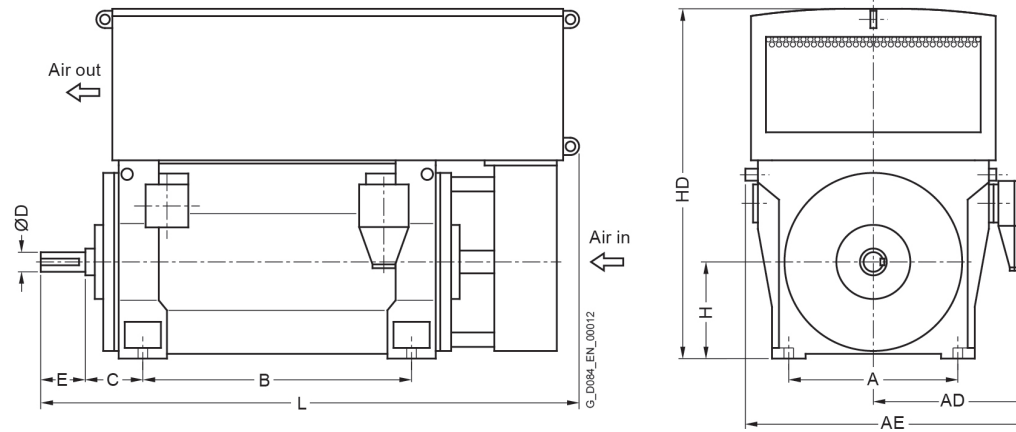
Motor type	Weight	Dimensions												
		A	AD	AE	B	C	D	E	H	HD	L	ML		
	kg	mm	mm	mm	mm	mm	mm	mm	mm	mm	mm	mm	mm	
Innomotics HV M - 1SG. IC611 6000 V / 50 Hz B3 (IM 1001) - Dimension drawings														
1SG7 504-2JA60-0CA2	6550	950	1005	1705	1320	250	110	165	500	2210	2920	250		
1SG7 504-2JA60-0CC2	6500	950	1005	1705	1320	530	120	165	500	2210	3200	250		
1SG7 507-2JA60-0AA2	7150	950	1005	1705	1500	250	110	165	500	2210	3130	250		
1SG7 507-2JA60-0AC2	7100	950	1005	1705	1500	530	120	165	500	2210	3410	250		
1SG7 507-2JA60-0CA2	7300	950	1005	1705	1500	250	110	165	500	2210	3130	250		
1SG7 507-2JA60-0CC2	7250	950	1005	1705	1500	530	120	165	500	2210	3410	250		
1SG7 508-2JA60-0AA2	7450	950	1005	1705	1500	250	110	165	500	2210	3130	250		
1SG7 508-2JA60-0AC2	7400	950	1005	1705	1500	530	120	165	500	2210	3410	250		
1SG7 508-2JA60-0CA2	7650	950	1005	1705	1500	250	110	165	500	2210	3130	250		
1SG7 508-2JA60-0CC2	7550	950	1005	1705	1500	530	120	165	500	2210	3410	250		
1SG7 562-2JA60-0CC2	8250	1060	1290	2060	1400	600	150	200	560	2330	3450	300		
1SG7 563-2JA60-0CC2	8550	1060	1290	2060	1400	600	150	200	560	2330	3450	300		
1SG7 564-2JA60-0CC2	8800	1060	1290	2060	1400	600	150	200	560	2330	3450	300		
1SG7 567-2JA60-0CC2	9700	1060	1290	2060	1600	600	150	200	560	2330	3680	300		
1SG7 568-2JA60-0CC2	10300	1060	1290	2060	1600	600	150	200	560	2330	3680	300		
1SG8 633-2JA60-0CJ0	10800	1320	1520	2520	1600	560	160	240	630	2710	3680	350		
1SG8 634-2JA60-0CJ0	11300	1320	1520	2520	1600	560	160	240	630	2710	3680	350		
1SG8 637-2JA60-0CJ0	12250	1320	1520	2520	1800	560	160	240	630	2710	3880	350		
1SG8 638-2JA60-0CJ0	12800	1320	1520	2520	1800	560	160	240	630	2710	3880	350		
1SG8 712-2JA60-0CJ0	14700	1500	1620	2720	2000	560	180	240	710	3090	4400	400		
1SG8 713-2JA60-0CJ0	15300	1500	1620	2720	2000	560	180	240	710	3090	4400	400		
1SG8 714-2JA60-0CJ0	15900	1500	1620	2720	2000	560	180	240	710	3090	4400	400		
1SG8 716-2JA60-0CJ0	17100	1500	1620	2720	2240	560	180	240	710	3090	4640	400		



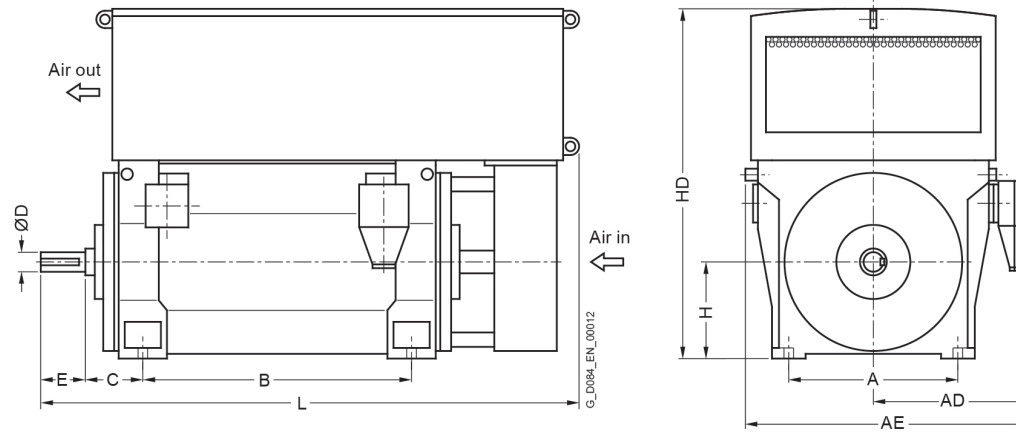
Motor type	Weight	Dimensions												
		A	AD	AE	B	C	D	E	H	HD	L	ML		
	kg	mm	mm	mm	mm	mm	mm	mm	mm	mm	mm	mm	mm	
Innomotics HV M - 1SG. IC611 6000 V / 50 Hz B3 (IM 1001) - Dimension drawings														
1SG8 717-2JA60-0CJ0	17950	1500	1620	2720	2240	560	180	240	710	3090	4640	400		
1SG8 718-2JA60-0CJ0	19000	1500	1620	2720	2240	560	180	240	710	3090	4640	400		
4-pole														
1SG7 453-4JA60-0AA2	4600	850	925	1545	1180	250	130	200	450	1900	2720	200		
1SG7 453-4JA60-0AC2	4600	850	925	1545	1180	500	130	200	450	1900	2970	200		
1SG7 453-4JA60-0CA2	4750	850	925	1545	1180	250	130	200	450	1900	2720	200		
1SG7 453-4JA60-0CC2	4750	850	925	1545	1180	500	130	200	450	1900	2970	200		
1SG7 454-4JA60-0AA0	4750	850	925	1545	1180	250	130	200	450	1900	2720	200		
1SG7 454-4JA60-0AC0	4750	850	925	1545	1180	500	130	200	450	1900	2970	200		
1SG7 454-4JA60-0CA2	4950	850	925	1545	1180	250	130	200	450	1900	2720	200		
1SG7 454-4JA60-0CC2	4950	850	925	1545	1180	500	130	200	450	1900	2970	200		
1SG7 457-4JA60-0CA2	5600	850	925	1545	1400	250	130	200	450	1900	2930	200		
1SG7 457-4JA60-0CC2	5600	850	925	1545	1400	500	130	200	450	1900	3180	200		
1SG7 457-4JA60-0AA2	5400	850	925	1545	1400	250	130	200	450	1900	2930	200		
1SG7 457-4JA60-0AC2	5400	850	925	1545	1400	500	130	200	450	1900	3180	200		
1SG7 458-4JA60-0CA2	5800	850	925	1545	1400	250	130	200	450	1900	2930	200		
1SG7 458-4JA60-0CC2	5800	850	925	1545	1400	500	130	200	450	1900	3180	200		
1SG7 458-4JA60-0AA2	5600	850	925	1545	1400	250	130	200	450	1900	2930	200		
1SG7 458-4JA60-0AC2	5600	850	925	1545	1400	500	130	200	450	1900	3180	200		
1SG7 503-4JA60-0CA2	6750	950	1005	1705	1320	315	160	240	500	2210	3060	250		
1SG7 503-4JA60-0CC2	6800	950	1005	1705	1320	560	170	240	500	2210	3300	250		
1SG7 503-4JA60-0AA2	6600	950	1005	1705	1320	315	160	240	500	2210	3060	250		
1SG7 503-4JA60-0AC2	6650	950	1005	1705	1320	560	170	240	500	2210	3300	250		



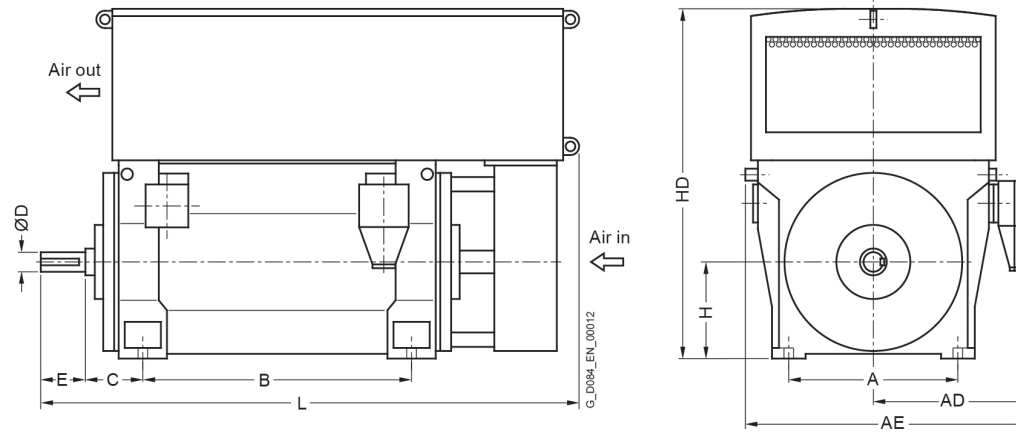
Motor type	Weight	Dimensions											
		A	AD	AE	B	C	D	E	H	HD	L	ML	
	kg	mm	mm	mm	mm	mm	mm	mm	mm	mm	mm	mm	mm
Innomotics HV M - 1SG. IC611 6000 V / 50 Hz B3 (IM 1001) - Dimension drawings													
1SG7 504-4JA60-0CA2	7050	950	1005	1705	1320	315	160	240	500	2210	3060	250	
1SG7 504-4JA60-0CC2	7100	950	1005	1705	1320	560	170	240	500	2210	3300	250	
1SG7 504-4JA60-0AA2	6850	950	1005	1705	1320	315	160	240	500	2210	3060	250	
1SG7 504-4JA60-0AC2	6900	950	1005	1705	1320	560	170	240	500	2210	3300	250	
1SG7 507-4JA60-0CA2	7750	950	1005	1705	1500	315	160	240	500	2210	3270	250	
1SG7 507-4JA60-0CC2	7800	950	1005	1705	1500	560	170	240	500	2210	3510	250	
1SG7 507-4JA60-0AA2	7550	950	1005	1705	1500	315	160	240	500	2210	3270	250	
1SG7 507-4JA60-0AC2	7600	950	1005	1705	1500	560	170	240	500	2210	3510	250	
1SG7 508-4JA60-0CA2	8100	950	1005	1705	1500	315	160	240	500	2210	3270	250	
1SG7 508-4JA60-0CC2	8200	950	1005	1705	1500	560	170	240	500	2210	3510	250	
1SG7 508-4JA60-0AA2	7900	950	1005	1705	1500	315	160	240	500	2210	3270	250	
1SG7 508-4JA60-0AC2	7950	950	1005	1705	1500	560	170	240	500	2210	3510	250	
1SG7 563-4JA60-0CA2	8600	1060	1290	2060	1400	335	190	280	560	2330	3260	300	
1SG7 563-4JA60-0CC2	8650	1060	1290	2060	1400	600	190	280	560	2330	3530	300	
1SG7 564-4JA60-0CA2	9050	1060	1290	2060	1400	335	190	280	560	2330	3260	300	
1SG7 564-4JA60-0CC2	9100	1060	1290	2060	1400	600	190	280	560	2330	3530	300	
1SG7 566-4JA60-0CA2	9900	1060	1290	2060	1600	335	190	280	560	2330	3490	300	
1SG7 566-4JA60-0CC2	9950	1060	1290	2060	1600	600	190	280	560	2330	3760	300	
1SG7 567-4JA60-0CA2	10400	1060	1290	2060	1600	335	190	280	560	2330	3490	300	
1SG7 567-4JA60-0CC2	10450	1060	1290	2060	1600	600	190	280	560	2330	3760	300	
1SG7 568-4JA60-0CA2	10850	1060	1290	2060	1600	335	190	280	560	2330	3490	300	
1SG7 568-4JA60-0CC2	10900	1060	1290	2060	1600	600	190	280	560	2330	3760	300	
1SG8 633-4JA60-0CG0	11500	1320	1520	2520	1600	375	200	280	630	2710	3530	350	



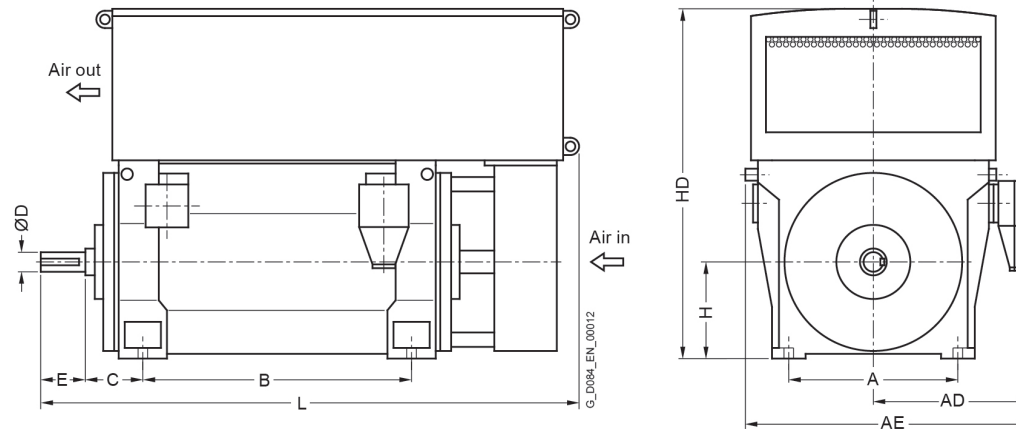
Motor type	Weight	Dimensions										
		A	AD	AE	B	C	D	E	H	HD	L	ML
	kg	mm	mm	mm	mm	mm	mm	mm	mm	mm	mm	mm
Innomotics HV M - 1SG. IC611 6000 V / 50 Hz B3 (IM 1001) - Dimension drawings												
1SG8 633-4JA60-0CJ0	11600	1320	1520	2520	1600	630	200	280	630	2710	3790	350
1SG8 634-4JA60-0CG0	11900	1320	1520	2520	1600	375	200	280	630	2710	3530	350
1SG8 634-4JA60-0CJ0	12050	1320	1520	2520	1600	630	200	280	630	2710	3790	350
1SG8 637-4JA60-0CG0	12850	1320	1520	2520	1800	375	200	280	630	2710	3730	350
1SG8 637-4JA60-0CJ0	12950	1320	1520	2520	1800	630	200	280	630	2710	3990	350
1SG8 638-4JA60-0CG0	13550	1320	1520	2520	1800	375	200	280	630	2710	3730	350
1SG8 638-4JA60-0CJ0	13650	1320	1520	2520	1800	630	200	280	630	2710	3990	350
1SG8 712-4JA60-0CG0	15700	1500	1620	2720	2000	375	220	280	710	3090	3980	400
1SG8 712-4JA60-0CJ0	15800	1500	1620	2720	2000	630	220	280	710	3090	4230	400
1SG8 713-4JA60-0CG0	16350	1500	1620	2720	2000	375	220	280	710	3090	3980	400
1SG8 713-4JA60-0CJ0	16500	1500	1620	2720	2000	630	220	280	710	3090	4230	400
1SG8 714-4JA60-0CG0	17200	1500	1620	2720	2000	375	220	280	710	3090	3980	400
1SG8 714-4JA60-0CJ0	17300	1500	1620	2720	2000	630	220	280	710	3090	4230	400
1SG8 717-4JA60-0CG0	18500	1500	1620	2720	2240	375	220	280	710	3090	4220	400
1SG8 717-4JA60-0CJ0	18600	1500	1620	2720	2240	630	220	280	710	3090	4470	400
1SG8 718-4JA60-0CG0	19100	1500	1620	2720	2240	375	220	280	710	3090	4220	400
1SG8 718-4JA60-0CJ0	19200	1500	1620	2720	2240	630	220	280	710	3090	4470	400
6-pole												
1SG7 453-6JA60-0AA2	4600	850	925	1545	1180	250	130	200	450	1900	2720	200
1SG7 453-6JA60-0AC2	4600	850	925	1545	1180	500	130	200	450	1900	2970	200
1SG7 453-6JA60-0CA0	4750	850	925	1545	1180	250	130	200	450	1900	2720	200
1SG7 453-6JA60-0CC0	4750	850	925	1545	1180	500	130	200	450	1900	2970	200
1SG7 454-6JA60-0CA2	4950	850	925	1545	1180	250	130	200	450	1900	2720	200



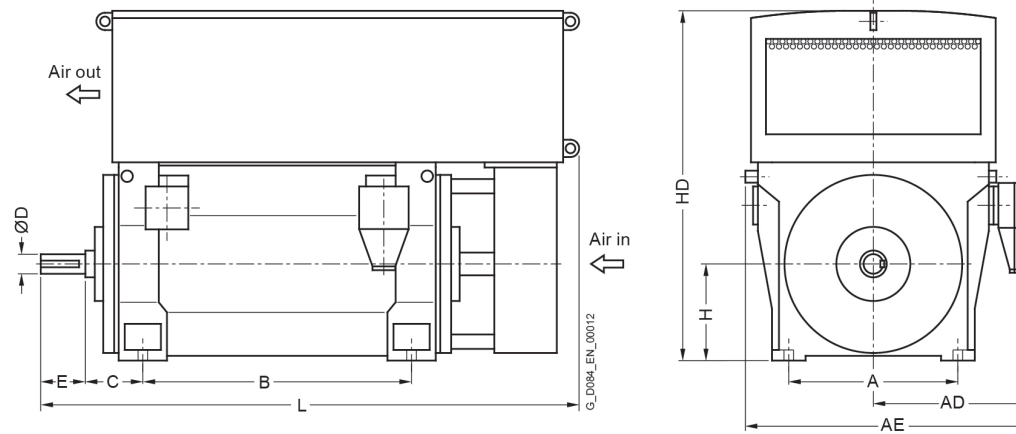
Motor type	Weight	Dimensions										
		A	AD	AE	B	C	D	E	H	HD	L	ML
	kg	mm	mm	mm	mm	mm	mm	mm	mm	mm	mm	mm
Innomotics HV M - 1SG. IC611 6000 V / 50 Hz B3 (IM 1001) - Dimension drawings												
1SG7 454-6JA60-0CC2	5000	850	925	1545	1180	500	130	200	450	1900	2970	200
1SG7 454-6JA60-0AA2	4750	850	925	1545	1180	250	130	200	450	1900	2720	200
1SG7 454-6JA60-0AC2	4750	850	925	1545	1180	500	130	200	450	1900	2970	200
1SG7 457-6JA60-0AA0	5250	850	925	1545	1400	250	130	200	450	1900	2930	200
1SG7 457-6JA60-0AC0	5300	850	925	1545	1400	500	130	200	450	1900	3180	200
1SG7 457-6JA60-0CA0	5450	850	925	1545	1400	250	130	200	450	1900	2930	200
1SG7 457-6JA60-0CC0	5450	850	925	1545	1400	500	130	200	450	1900	3180	200
1SG7 458-6JA60-0AA2	5550	850	925	1545	1400	250	130	200	450	1900	2930	200
1SG7 458-6JA60-0AC2	5550	850	925	1545	1400	500	130	200	450	1900	3180	200
1SG7 458-6JA60-0CA2	5750	850	925	1545	1400	250	130	200	450	1900	2930	200
1SG7 458-6JA60-0CC2	5750	850	925	1545	1400	500	130	200	450	1900	3180	200
1SG7 503-6JA60-0CA2	6950	950	1005	1705	1320	315	160	240	500	2210	3060	250
1SG7 503-6JA60-0CC2	6950	950	1005	1705	1320	560	170	240	500	2210	3300	250
1SG7 503-6JA60-0AA2	6750	950	1005	1705	1320	315	160	240	500	2210	3060	250
1SG7 503-6JA60-0AC2	6800	950	1005	1705	1320	560	170	240	500	2210	3300	250
1SG7 504-6JA60-0AA2	7000	950	1005	1705	1320	315	160	240	500	2210	3060	250
1SG7 504-6JA60-0AC2	7000	950	1005	1705	1320	560	170	240	500	2210	3300	250
1SG7 504-6JA60-0CA2	7200	950	1005	1705	1320	315	160	240	500	2210	3060	250
1SG7 504-6JA60-0CC2	7250	950	1005	1705	1320	560	170	240	500	2210	3300	250
1SG7 507-6JA60-0CA2	7950	950	1005	1705	1500	315	160	240	500	2210	3270	250
1SG7 507-6JA60-0CC2	8000	950	1005	1705	1500	560	170	240	500	2210	3510	250
1SG7 507-6JA60-0AA2	7700	950	1005	1705	1500	315	160	240	500	2210	3270	250
1SG7 507-6JA60-0AC2	7700	950	1005	1705	1500	560	170	240	500	2210	3510	250



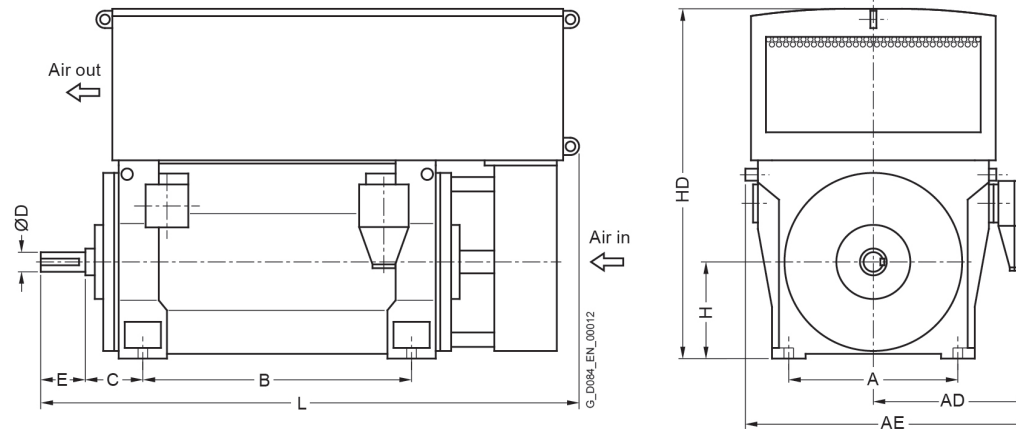
Motor type	Weight	Dimensions										
		A	AD	AE	B	C	D	E	H	HD	L	ML
	kg	mm	mm	mm	mm	mm	mm	mm	mm	mm	mm	mm
Innomotics HV M - 1SG. IC611 6000 V / 50 Hz B3 (IM 1001) - Dimension drawings												
1SG7 508-6JA60-0CA2	8300	950	1005	1705	1500	315	160	240	500	2210	3270	250
1SG7 508-6JA60-0CC2	8350	950	1005	1705	1500	560	170	240	500	2210	3510	250
1SG7 508-6JA60-0AA2	8050	950	1005	1705	1500	315	160	240	500	2210	3270	250
1SG7 508-6JA60-0AC2	8050	950	1005	1705	1500	560	170	240	500	2210	3510	250
1SG7 561-6JA60-0CA2	8500	1060	1290	2060	1400	335	190	280	560	2330	3260	300
1SG7 561-6JA60-0CC2	8550	1060	1290	2060	1400	600	190	280	560	2330	3530	300
1SG7 562-6JA60-0CA2	8850	1060	1290	2060	1400	335	190	280	560	2330	3260	300
1SG7 562-6JA60-0CC2	8900	1060	1290	2060	1400	600	190	280	560	2330	3530	300
1SG7 563-6JA60-0CA2	9150	1060	1290	2060	1400	335	190	280	560	2330	3260	300
1SG7 563-6JA60-0CC2	9200	1060	1290	2060	1400	600	190	280	560	2330	3530	300
1SG7 564-6JA60-0CA2	9500	1060	1290	2060	1400	335	190	280	560	2330	3260	300
1SG7 564-6JA60-0CC2	9550	1060	1290	2060	1400	600	190	280	560	2330	3530	300
1SG7 567-6JA60-0CA2	10350	1060	1290	2060	1600	335	190	280	560	2330	3490	300
1SG7 567-6JA60-0CC2	10400	1060	1290	2060	1600	600	190	280	560	2330	3760	300
1SG7 568-6JA60-0CA2	11000	1060	1290	2060	1600	335	190	280	560	2330	3490	300
1SG7 568-6JA60-0CC2	11050	1060	1290	2060	1600	600	190	280	560	2330	3760	300
1SG8 632-6JA60-0CG0	11550	1320	1520	2520	1600	375	200	280	630	2710	3530	350
1SG8 632-6JA60-0CJ0	11600	1320	1520	2520	1600	630	200	280	630	2710	3790	350
1SG8 633-6JA60-0CC0	12000	1320	1520	2520	1600	375	200	280	630	2710	3530	350
1SG8 633-6JA60-0CJ0	12050	1320	1520	2520	1600	630	200	280	630	2710	3790	350
1SG8 634-6JA60-0CG0	12500	1320	1520	2520	1600	375	200	280	630	2710	3530	350
1SG8 634-6JA60-0CJ0	12600	1320	1520	2520	1600	630	200	280	630	2710	3790	350
1SG8 637-6JA60-0CG0	13350	1320	1520	2520	1800	375	200	280	630	2710	3730	350



Motor type	Weight	Dimensions										
		A	AD	AE	B	C	D	E	H	HD	L	ML
	kg	mm	mm	mm	mm	mm	mm	mm	mm	mm	mm	mm
Innomotics HV M - 1SG. IC611 6000 V / 50 Hz B3 (IM 1001) - Dimension drawings												
1SG8 637-6JA60-0CJ0	13400	1320	1520	2520	1800	630	200	280	630	2710	3990	350
1SG8 638-6JA60-0CG0	13900	1320	1520	2520	1800	375	200	280	630	2710	3730	350
1SG8 638-6JA60-0CJ0	13950	1320	1520	2520	1800	630	200	280	630	2710	3990	350
1SG8 712-6JA60-0CG0	15600	1500	1620	2720	2000	375	220	280	710	3090	3980	400
1SG8 712-6JA60-0CJ0	15700	1500	1620	2720	2000	630	220	280	710	3090	4230	400
1SG8 713-6JA60-0CG0	16550	1500	1620	2720	2000	375	220	280	710	3090	3980	400
1SG8 713-6JA60-0CJ0	16650	1500	1620	2720	2000	630	220	280	710	3090	4230	400
1SG8 714-6JA60-0CG0	17550	1500	1620	2720	2000	375	220	280	710	3090	3980	400
1SG8 714-6JA60-0CJ0	17700	1500	1620	2720	2000	630	220	280	710	3090	4230	400
1SG8 717-6JA60-0CG0	19200	1500	1620	2720	2240	375	220	280	710	3090	4220	400
1SG8 717-6JA60-0CJ0	19350	1500	1620	2720	2240	630	220	280	710	3090	4470	400
1SG8 718-6JA60-0CG0	20250	1500	1620	2720	2240	375	220	280	710	3090	4220	400
1SG8 718-6JA60-0CJ0	20350	1500	1620	2720	2240	630	220	280	710	3090	4470	400
8-pole												
1SG7 452-8JA60-0AA0	4600	850	925	1545	1180	250	130	200	450	1900	2720	200
1SG7 452-8JA60-0AC0	4600	850	925	1545	1180	500	130	200	450	1900	2970	200
1SG7 453-8JA60-0AA0	4800	850	925	1545	1180	250	130	200	450	1900	2720	200
1SG7 453-8JA60-0AC0	4800	850	925	1545	1180	500	130	200	450	1900	2970	200
1SG7 454-8JA60-0AA2	5050	850	925	1545	1180	250	130	200	450	1900	2720	200
1SG7 454-8JA60-0AC2	5050	850	925	1545	1180	500	130	200	450	1900	2970	200
1SG7 457-8JA60-0AA2	5550	850	925	1545	1400	250	130	200	450	1900	2930	200
1SG7 457-8JA60-0AC2	5550	850	925	1545	1400	500	130	200	450	1900	3180	200
1SG7 458-8JA60-0AA2	5800	850	925	1545	1400	250	130	200	450	1900	2930	200



Motor type	Weight	Dimensions										
		A	AD	AE	B	C	D	E	H	HD	L	ML
	kg	mm	mm	mm	mm	mm	mm	mm	mm	mm	mm	mm
Innomotics HV M - 1SG. IC611 6000 V / 50 Hz B3 (IM 1001) - Dimension drawings												
1SG7 458-8JA60-0AC2	5800	850	925	1545	1400	500	130	200	450	1900	3180	200
1SG7 502-8JA60-0AA2	6450	950	1005	1705	1320	315	160	240	500	2210	3060	250
1SG7 502-8JA60-0AC2	6500	950	1005	1705	1320	560	170	240	500	2210	3300	250
1SG7 503-8JA60-0AA2	6750	950	1005	1705	1320	315	160	240	500	2210	3060	250
1SG7 503-8JA60-0AC2	6750	950	1005	1705	1320	560	170	240	500	2210	3300	250
1SG7 503-8JA60-0CA2	6950	950	1005	1705	1320	315	160	240	500	2210	3060	250
1SG7 503-8JA60-0CC2	6950	950	1005	1705	1320	560	170	240	500	2210	3300	250
1SG7 504-8JA60-0AA2	7050	950	1005	1705	1320	315	160	240	500	2210	3060	250
1SG7 504-8JA60-0AC2	7050	950	1005	1705	1320	560	170	240	500	2210	3300	250
1SG7 504-8JA60-0CA2	7250	950	1005	1705	1320	315	160	240	500	2210	3060	250
1SG7 504-8JA60-0CC2	7300	950	1005	1705	1320	560	170	240	500	2210	3300	250
1SG7 507-8JA60-0AA2	7700	950	1005	1705	1500	315	160	240	500	2210	3270	250
1SG7 507-8JA60-0AC2	7750	950	1005	1705	1500	560	170	240	500	2210	3510	250
1SG7 507-8JA60-0CA2	7950	950	1005	1705	1500	315	160	240	500	2210	3270	250
1SG7 507-8JA60-0CC2	8000	950	1005	1705	1500	560	170	240	500	2210	3510	250
1SG7 508-8JA60-0AA2	8050	950	1005	1705	1500	315	160	240	500	2210	3270	250
1SG7 508-8JA60-0AC2	8100	950	1005	1705	1500	560	170	240	500	2210	3510	250
1SG7 508-8JA60-0CA2	8350	950	1005	1705	1500	315	160	240	500	2210	3270	250
1SG7 508-8JA60-0CC2	8350	950	1005	1705	1500	560	170	240	500	2210	3510	250
1SG7 563-8JA60-0CA2	8850	1060	1075	1845	1400	335	190	280	560	2330	3260	300
1SG7 563-8JA60-0CC2	8900	1060	1075	1845	1400	600	190	280	560	2330	3530	300
1SG7 564-8JA60-0CA2	9300	1060	1075	1845	1400	335	190	280	560	2330	3260	300
1SG7 564-8JA60-0CC2	9350	1060	1075	1845	1400	600	190	280	560	2330	3530	300



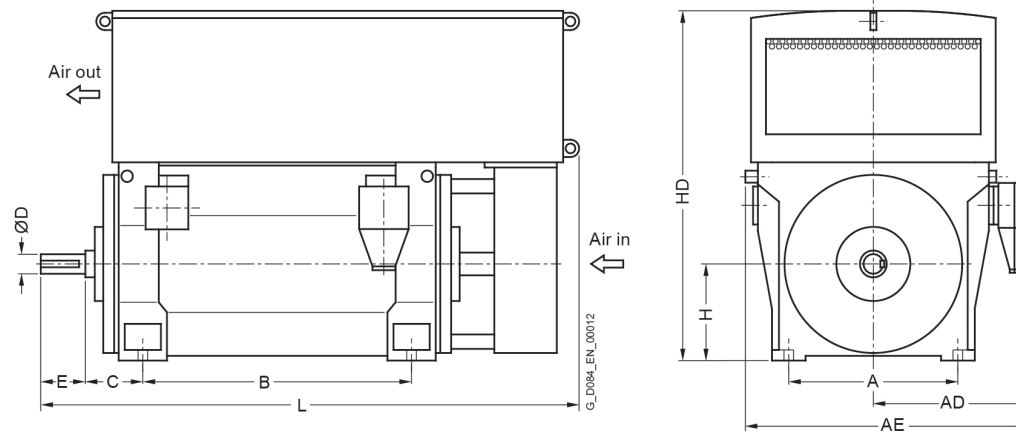
Motor type	Weight	Dimensions										
		A	AD	AE	B	C	D	E	H	HD	L	ML
	kg	mm	mm	mm	mm	mm	mm	mm	mm	mm	mm	mm
Innomotics HV M - 1SG. IC611 6000 V / 50 Hz B3 (IM 1001) - Dimension drawings												
1SG7 567-8JA60-0CA2	10200	1060	1075	1845	1600	335	190	280	560	2330	3490	300
1SG7 567-8JA60-0CC2	10250	1060	1075	1845	1600	600	190	280	560	2330	3760	300
1SG7 568-8JA60-0CA2	10750	1060	1075	1845	1600	335	190	280	560	2330	3490	300
1SG7 568-8JA60-0CC2	10750	1060	1075	1845	1600	600	190	280	560	2330	3760	300
1SG8 633-8JA60-0CG0	10800	1320	1520	2520	1600	375	200	280	630	2570	3530	350
1SG8 633-8JA60-0CJ0	10850	1320	1520	2520	1600	630	200	280	630	2570	3790	350
1SG8 634-8JA60-0CG0	11550	1320	1520	2520	1600	375	200	280	630	2570	3530	350
1SG8 634-8JA60-0CJ0	11600	1320	1520	2520	1600	630	200	280	630	2570	3790	350
1SG8 637-8JA60-0CG0	12800	1320	1520	2520	1800	375	200	280	630	2570	3730	350
1SG8 637-8JA60-0CJ0	12850	1320	1520	2520	1800	630	200	280	630	2570	3990	350
1SG8 638-8JA60-0CG0	13550	1320	1520	2520	1800	375	200	280	630	2570	3730	350
1SG8 638-8JA60-0CJ0	13600	1320	1520	2520	1800	630	200	280	630	2570	3990	350
1SG8 712-8JA60-0CG0	15150	1500	1620	2720	2000	375	220	280	710	3090	3980	400
1SG8 712-8JA60-0CJ0	15300	1500	1620	2720	2000	630	220	280	710	3090	4230	400
1SG8 713-8JA60-0CG0	15850	1500	1620	2720	2000	375	220	280	710	3090	3980	400
1SG8 713-8JA60-0CJ0	16050	1500	1620	2720	2000	630	220	280	710	3090	4230	400
1SG8 714-8JA60-0CG0	17000	1500	1620	2720	2000	375	220	280	710	3090	3980	400
1SG8 714-8JA60-0CJ0	17200	1500	1620	2720	2000	630	220	280	710	3090	4230	400
1SG8 717-8JA60-0CG0	18750	1500	1620	2720	2240	375	220	280	710	3090	4220	400
1SG8 717-8JA60-0CJ0	18950	1500	1620	2720	2240	630	220	280	710	3090	4470	400
1SG8 718-8JA60-0CG0	19800	1500	1620	2720	2240	375	220	280	710	3090	4220	400
1SG8 718-8JA60-0CJ0	19950	1500	1620	2720	2240	630	220	280	710	3090	4470	400

Innomotics HV M - 1SG. IC611 6600 V / 60 Hz B3 (IM 1001)																			
Rated power IEC	Article No.	Speed	Rated current		Efficiency				Power factor				Torque	Breakdown torque	Locked torque	Locked rotor current	Inertia		
			I_R		5/4 load	4/4 load	3/4 load	2/4 load	5/4 load	4/4 load	3/4 load	2/4 load					T_R	T_B/ T_R	T_{LR}/ T_R
kW		rpm	A		%	%	%	%	cos φ	cos φ	cos φ	cos φ	Nm	[-]	[-]	[-]	kgm ²	kgm ²	[-]
2-pole: n_{sync} = 3600 rpm at 60 Hz																			
1600	1SG7 453-2JA10-0A.0	3578	168		95.5	95.8	95.5	94.3	0.86	0.87	0.84	0.78	4270	2.45	0.50	5.9	10	20	o.r.
1600	1SG7 453-2JA10-0C.0	3579	164		95.5	95.8	95.4	94.3	0.88	0.89	0.88	0.84	4269	2.50	0.60	5.8	14	95	o.r.
1750	1SG7 454-2JA10-0A.0	3578	182		95.6	96.0	95.8	94.9	0.87	0.88	0.87	0.83	4671	2.45	0.55	5.9	11	20	o.r.
1740	1SG7 454-2JA10-0C.0	3579	176		95.6	95.9	95.6	94.5	0.89	0.90	0.89	0.86	4643	2.65	0.65	6.0	15	95	o.r.
1950	1SG7 457-2JA10-0A.0	3580	200		95.8	96.1	95.8	94.8	0.87	0.88	0.85	0.79	5201	2.65	0.55	6.0	12	25	o.r.
1950	1SG7 457-2JA10-0C.0	3580	198		95.8	96.1	95.8	94.7	0.89	0.90	0.89	0.86	5201	2.65	0.65	6.0	16	100	o.r.
2100	1SG7 458-2JA10-0A.0	3580	210		96.0	96.3	96.1	95.2	0.89	0.90	0.88	0.84	5602	2.80	0.65	6.2	13	25	o.r.
2100	1SG7 458-2JA10-0C.0	3580	210		95.9	96.3	96.1	95.2	0.90	0.91	0.91	0.88	5602	2.80	0.70	6.0	17	105	o.r.
2300	1SG7 502-2JA10-0C.0	3576	240		95.8	96.0	95.9	95.2	0.87	0.88	0.87	0.82	6142	2.35	0.65	4.6	18	70	o.r.
2500	1SG7 503-2JA10-0C.0	3579	255		96.1	96.3	96.2	95.4	0.88	0.89	0.88	0.83	6670	2.70	0.70	5.3	20	74	o.r.
2600	1SG7 504-2JA10-0C.0	3580	265		96.2	96.3	96.2	95.4	0.88	0.89	0.88	0.81	6935	2.80	0.80	5.5	21	76	o.r.
2900	1SG7 507-2JA10-0C.0	3581	290		96.4	96.6	96.5	95.8	0.90	0.90	0.89	0.85	7733	2.85	0.80	5.8	24	82	o.r.
3100	1SG7 508-2JA10-0C.0	3582	310		96.6	96.8	96.7	96.1	0.91	0.91	0.91	0.87	8264	2.85	0.65	5.8	27	92	o.r.
3670	1SG7 562-2JA10-0CC0	3584	375		96.0	96.1	95.7	94.7	0.87	0.89	0.88	0.84	9778	2.45	0.60	5.7	41	175	o.r.
3810	1SG7 563-2JA10-0CC0	3585	385		96.1	96.2	95.9	94.9	0.89	0.90	0.89	0.86	10149	2.70	0.70	6.1	44	185	o.r.
4580	1SG7 564-2JA10-0CC0	3584	470		95.9	96.0	95.6	94.5	0.88	0.89	0.88	0.85	12203	2.50	0.60	5.7	47	175	o.r.
4840	1SG7 567-2JA10-0CC0	3585	490		96.1	96.2	95.8	94.7	0.90	0.90	0.90	0.86	12892	2.80	0.65	6.0	52	185	o.r.
5080	1SG7 568-2JA10-0CC0	3588	510		96.3	96.3	95.8	94.6	0.90	0.90	0.88	0.84	13520	3.20	0.75	6.8	58	210	o.r.
5650	1SG8 632-2JA10-0CJ0	3581	580		95.9	96.1	95.5	94.0	0.86	0.89	0.89	0.88	15067	2.00	0.50	4.9	75	150	o.r.
6150	1SG8 633-2JA10-0CJ0	3581	630		96.1	96.3	95.8	94.4	0.87	0.89	0.90	0.89	16400	2.00	0.50	4.9	82	150	o.r.
6650	1SG8 634-2JA10-0CJ0	3583	670		96.4	96.5	96.0	94.7	0.88	0.90	0.91	0.90	17723	2.15	0.55	5.2	90	150	o.r.
7400	1SG8 637-2JA10-0CJ0	3583	740		96.6	96.7	96.2	95.0	0.89	0.91	0.92	0.90	19722	2.30	0.60	5.5	99	150	o.r.
7900	1SG8 638-2JA10-0CJ0	3586	780		96.8	96.9	96.4	95.1	0.91	0.92	0.92	0.90	21037	2.55	0.65	6.0	107	160	o.r.
8700	1SG8 712-2JA10-0CJ0	3588	880		96.4	96.3	95.6	94.1	0.88	0.90	0.89	0.87	23155	2.15	0.55	5.2	149	90	o.r.
9150	1SG8 713-2JA10-0CJ0	3586	920		96.5	96.4	95.9	94.5	0.87	0.90	0.90	0.90	24366	2.00	0.50	4.8	160	80	o.r.
9900	1SG8 714-2JA10-0CJ0	3588	990		96.7	96.6	96.0	94.7	0.90	0.91	0.91	0.89	26348	2.35	0.60	5.6	173	70	o.r.
10500	1SG8 716-2JA10-0CJ0	3590	1040		96.8	96.6	95.9	94.4	0.90	0.91	0.89	0.85	27930	2.55	0.60	6.2	184	100	o.r.
11250	1SG8 717-2JA10-0CJ0	3589	1120		97.0	96.8	96.3	95.0	0.90	0.91	0.91	0.89	29933	2.30	0.50	5.6	199	100	o.r.
4-pole: n_{sync} = 1800 rpm at 60 Hz																			
1600	1SG7 453-4JA10-0A.0	1783	168		95.2	95.7	95.7	95.1	0.87	0.87	0.84	0.77	8569	2.40	0.65	5.5	17	175	o.r.
1680	1SG7 453-4JA10-0C.0	1784	176		95.3	95.8	95.9	95.3	0.86	0.87	0.86	0.81	8993	2.20	0.45	5.0	23	285	o.r.
1830	1SG7 454-4JA10-0C.0	1786	192		95.6	96.0	96.0	95.3	0.86	0.87	0.83	0.75	9785	2.45	0.50	5.3	25	340	o.r.
1710	1SG7 454-4JA10-0A.0	1783	180		95.4	95.9	95.8	95.2	0.87	0.87	0.84	0.76	9158	2.55	0.70	6.0	19	215	o.r.
2100	1SG7 457-4JA10-0C.0	1787	215		95.9	96.3	96.3	95.7	0.88	0.89	0.86	0.80	11222	2.60	0.60	5.8	30	425	o.r.
2000	1SG7 457-4JA10-0A.0	1783	205		95.7	96.2	96.2	95.7	0.88	0.89	0.87	0.81	10711	2.55	0.70	6.0	22	240	o.r.
2250	1SG7 458-4JA10-0C.0	1788	230		96.1	96.5	96.4	95.8	0.88	0.89	0.85	0.78	12017	2.80	0.65	6.0	32	475	o.r.

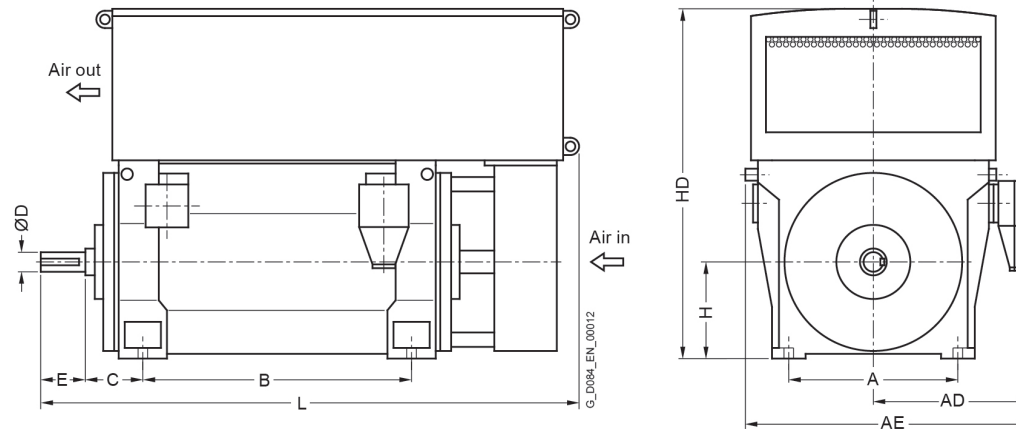
Innomotics HV M - 1SG. IC611 6600 V / 60 Hz B3 (IM 1001)																		
Rated power IEC	Article No.	Speed	Rated current I_R	Efficiency				Power factor				Torque T_R	Breakdown torque T_B/ T_R	Locked rotor torque T_{LR}/ T_R	Locked rotor current I_{LR}/ I_R	Inertia		
				5/4 load	4/4 load	3/4 load	2/4 load	5/4 load	4/4 load	3/4 load	2/4 load					motor	external	Startup max T/TR
kW		rpm	A	%	%	%	%	cos φ	cos φ	cos φ	cos φ	Nm	[-]	[-]	[-]	kgm ²	kgm ²	[-]
2150	1SG7 458-4JA10-0A.0	1785	220	95.9	96.3	96.3	95.8	0.88	0.89	0.86	0.80	11502	2.70	0.75	6.0	24	270	o.r.
2600	1SG7 503-4JA10-0A.0	1786	270	96.1	96.4	96.5	95.8	0.87	0.88	0.86	0.80	13902	2.50	0.75	5.5	37	340	o.r.
2650	1SG7 503-4JA10-0C.0	1788	270	96.1	96.4	96.5	95.9	0.87	0.89	0.87	0.82	14153	2.45	0.55	5.0	45	355	o.r.
2850	1SG7 504-4JA10-0A.0	1787	295	96.3	96.5	96.6	95.9	0.88	0.88	0.85	0.79	15230	2.75	0.85	5.9	40	295	o.r.
2900	1SG7 504-4JA10-0C.0	1789	295	96.4	96.6	96.6	95.9	0.88	0.89	0.86	0.81	15480	2.50	0.55	5.2	50	485	o.r.
3150	1SG7 507-4JA10-0C.0	1788	315	96.5	96.8	96.8	96.3	0.90	0.90	0.89	0.86	16823	2.55	0.65	5.2	56	405	o.r.
3100	1SG7 507-4JA10-0A.0	1785	310	96.2	96.7	96.8	96.4	0.88	0.90	0.89	0.87	16584	2.45	0.80	5.3	46	255	o.r.
3350	1SG7 508-4JA10-0A.0	1786	335	96.4	96.8	96.9	96.5	0.89	0.90	0.89	0.86	17912	2.50	0.80	5.7	50	270	o.r.
3400	1SG7 508-4JA10-0C.0	1788	340	96.6	96.9	97.0	96.5	0.90	0.90	0.90	0.87	18159	2.45	0.60	5.2	62	545	o.r.
3800	1SG7 563-4JA10-0C.0	1790	385	96.6	96.9	97.0	96.6	0.88	0.89	0.88	0.85	20272	2.25	0.65	5.4	80	515	o.r.
4100	1SG7 564-4JA10-0C.0	1789	415	96.7	97.0	97.2	96.9	0.88	0.89	0.90	0.88	21885	2.05	0.55	4.9	90	595	o.r.
4750	1SG7 566-4JA10-0C.0	1791	475	97.0	97.2	97.3	97.0	0.89	0.90	0.89	0.87	25326	2.30	0.65	5.6	100	625	o.r.
5200	1SG7 567-4JA10-0C.0	1791	519	97.1	97.3	97.5	97.1	0.89	0.90	0.90	0.87	27725	2.30	0.60	5.5	109	695	o.r.
5700	1SG7 568-4JA10-0C.0	1791	569	97.2	97.4	97.5	97.2	0.89	0.90	0.89	0.86	30391	2.40	0.65	5.9	119	740	o.r.
6300	1SG8 633-4JA10-0C.0	1791	640	96.6	96.8	96.5	95.6	0.88	0.89	0.88	0.84	33590	2.45	0.55	5.8	151	380	o.r.
7100	1SG8 634-4JA10-0C.0	1791	720	96.8	96.9	96.7	95.9	0.88	0.89	0.88	0.84	37856	2.45	0.55	5.8	166	400	o.r.
7500	1SG8 637-4JA10-0C.0	1792	750	96.9	97.0	96.8	96.1	0.90	0.90	0.90	0.86	39966	2.55	0.65	6.0	182	450	o.r.
8350	1SG8 638-4JA10-0C.0	1792	830	97.0	97.2	97.0	96.3	0.89	0.90	0.89	0.85	44496	2.55	0.60	6.0	197	500	o.r.
9050	1SG8 712-4JA10-0C.0	1791	900	97.0	97.2	97.1	96.4	0.89	0.90	0.90	0.87	48253	2.35	0.50	5.7	259	440	o.r.
9600	1SG8 713-4JA10-0C.0	1792	950	97.1	97.3	97.2	96.5	0.89	0.91	0.90	0.88	51157	2.50	0.55	6.0	284	500	o.r.
10400	1SG8 714-4JA10-0C.0	1792	1020	97.3	97.4	97.3	96.6	0.90	0.91	0.91	0.88	55420	2.60	0.55	6.0	312	550	o.r.
11550	1SG8 717-4JA10-0C.0	1792	1140	97.3	97.5	97.4	96.8	0.90	0.91	0.91	0.89	61548	2.60	0.55	6.0	346	580	o.r.
11950	1SG8 718-4JA10-0C.0	1793	1200	97.4	97.5	97.4	96.7	0.89	0.90	0.89	0.86	63644	2.60	0.50	6.0	361	700	o.r.
6-pole: n_{sync} = 1200 rpm at 60 Hz																		
1220	1SG7 452-6JA10-0A.0	1189	136	94.9	95.5	95.5	95.0	0.82	0.82	0.75	0.63	9798	2.40	0.80	5.5	20	530	o.r.
1350	1SG7 453-6JA10-0A.0	1189	148	95.2	95.7	95.8	95.3	0.83	0.83	0.77	0.65	10842	2.40	0.80	5.5	22	610	o.r.
1370	1SG7 453-6JA10-0C.0	1189	148	95.2	95.7	95.9	95.5	0.84	0.85	0.82	0.74	11003	2.35	0.65	5.3	30	850	o.r.
1420	1SG7 454-6JA10-0A.0	1189	152	95.2	95.8	96.0	95.7	0.84	0.85	0.82	0.75	11405	2.25	0.80	5.5	24	620	o.r.
1500	1SG7 454-6JA10-0C.0	1189	162	95.2	95.8	96.0	95.6	0.85	0.85	0.82	0.75	12047	2.35	0.65	5.3	33	880	o.r.
1600	1SG7 457-6JA10-0A.0	1190	172	95.4	96.0	96.1	95.7	0.84	0.85	0.80	0.70	12839	2.45	0.80	5.5	28	815	o.r.
1620	1SG7 457-6JA10-0C.0	1190	172	95.4	96.0	96.1	95.8	0.85	0.86	0.83	0.76	13000	2.40	0.65	5.3	36	1030	o.r.
1750	1SG7 458-6JA10-0A.0	1190	188	95.7	96.2	96.3	96.0	0.85	0.85	0.81	0.73	14043	2.45	0.85	5.7	31	925	o.r.
1760	1SG7 458-6JA10-0C.0	1191	186	95.7	96.2	96.3	95.9	0.86	0.86	0.83	0.75	14111	2.60	0.75	5.5	41	1120	o.r.
1950	1SG7 502-6JA10-0A.0	1191	215	95.7	96.1	96.2	95.8	0.83	0.83	0.79	0.70	15635	2.45	0.90	5.1	42	1180	o.r.
2000	1SG7 502-6JA10-0C.0	1192	210	95.8	96.2	96.4	96.0	0.84	0.86	0.83	0.76	16022	2.30	0.70	4.7	54	1250	o.r.
2170	1SG7 503-6JA10-0A.0	1191	240	95.8	96.2	96.4	95.9	0.83	0.83	0.79	0.70	17399	2.50	0.95	5.2	46	1300	o.r.
2240	1SG7 503-6JA10-0C.0	1192	235	95.9	96.3	96.5	96.1	0.84	0.86	0.83	0.76	17945	2.35	0.70	4.7	60	1370	o.r.

Innomotics HV M - 1SG. IC611 6600 V / 60 Hz B3 (IM 1001)																		
Rated power IEC	Article No.	Speed	Rated current I_R	Efficiency				Power factor				Torque T_R	Breakdown torque T_B/ T_R	Locked rotor torque T_{LR}/ T_R	Locked rotor current I_{LR}/ I_R	Inertia		
				5/4 load	4/4 load	3/4 load	2/4 load	5/4 load	4/4 load	3/4 load	2/4 load					motor	external	Startup max T/TR
kW		rpm	A	%	%	%	%	cos φ	cos φ	cos φ	cos φ	Nm	[-]	[-]	[-]	kgm ²	kgm ²	[-]
2320	1SG7 504-6JA10-0A.0	1192	255	96.1	96.3	96.4	95.9	0.82	0.82	0.76	0.65	18586	2.75	1.05	5.6	51	1430	o.r.
2420	1SG7 504-6JA10-0C.0	1193	260	96.2	96.5	96.6	96.1	0.84	0.84	0.81	0.73	19371	2.55	0.80	5.1	66	1500	o.r.
2540	1SG7 507-6JA10-0A.0	1192	275	96.2	96.5	96.6	96.1	0.83	0.83	0.77	0.67	20348	2.75	1.00	5.8	58	1600	o.r.
2640	1SG7 507-6JA10-0C.0	1193	285	96.3	96.6	96.7	96.3	0.84	0.84	0.82	0.73	21132	2.50	0.75	5.1	74	1650	o.r.
2750	1SG7 508-6JA10-0A.0	1191	290	96.2	96.6	96.8	96.5	0.85	0.86	0.84	0.77	22049	2.45	0.95	5.4	63	1780	o.r.
3000	1SG7 561-6JA10-0C.0	1193	315	96.1	96.5	96.6	96.1	0.85	0.86	0.84	0.78	24013	2.40	0.65	5.4	96	990	o.r.
3550	1SG7 563-6JA10-0C.0	1193	375	96.4	96.8	96.8	96.4	0.85	0.86	0.84	0.78	28416	2.50	0.65	5.6	112	1230	o.r.
4000	1SG7 567-6JA10-0C.0	1193	415	96.6	97.0	97.0	96.6	0.86	0.87	0.85	0.81	32018	2.60	0.70	5.8	134	1650	o.r.
4500	1SG7 568-6JA10-0C.0	1194	465	96.8	97.1	97.2	96.8	0.87	0.87	0.85	0.80	35990	2.65	0.70	5.9	150	1880	o.r.
4900	1SG8 632-6JA10-0C.0	1193	520	96.4	96.6	96.4	95.5	0.85	0.86	0.81	0.73	39222	2.50	0.55	5.5	193	1280	o.r.
5300	1SG8 633-6JA10-0C.0	1193	560	96.5	96.7	96.6	95.8	0.85	0.86	0.82	0.74	42424	2.45	0.55	5.5	209	1360	o.r.
5700	1SG8 634-6JA10-0C.0	1193	590	96.6	96.8	96.7	95.9	0.86	0.87	0.83	0.76	45625	2.45	0.55	5.5	227	1850	o.r.
6200	1SG8 637-6JA10-0C.0	1193	640	96.7	96.9	96.8	96.1	0.86	0.87	0.84	0.77	49628	2.45	0.55	5.5	247	1650	o.r.
6450	1SG8 638-6JA10-0C.0	1193	670	96.8	97.0	96.8	96.1	0.86	0.87	0.83	0.76	51629	2.50	0.55	5.5	264	1880	o.r.
7350	1SG8 712-6JA10-0C.0	1194	760	97.0	97.2	97.1	96.5	0.86	0.87	0.84	0.78	58783	2.40	0.55	5.5	331	1470	o.r.
8100	1SG8 713-6JA10-0C.0	1194	840	97.1	97.3	97.3	96.8	0.86	0.87	0.86	0.81	64782	2.25	0.50	5.5	374	1670	o.r.
8700	1SG8 714-6JA10-0C.0	1194	890	97.1	97.4	97.4	96.9	0.87	0.88	0.87	0.82	69580	2.30	0.50	5.5	424	1980	o.r.
9650	1SG8 717-6JA10-0C.0	1194	980	97.3	97.5	97.5	97.0	0.87	0.88	0.87	0.82	77178	2.40	0.55	5.5	478	2300	o.r.
10000	1SG8 718-6JA10-0C.0	1195	1040	97.4	97.5	97.5	96.9	0.87	0.87	0.85	0.78	79910	2.50	0.50	5.5	520	2930	o.r.
8-pole: n_{sync} = 900 rpm at 60 Hz																		
960	1SG7 452-8JA10-0A.0	889	108	94.2	95.2	95.5	95.2	0.79	0.81	0.77	0.68	10312	1.80	0.55	4.5	25	1150	o.r.
990	1SG7 452-8JA10-0C.0	889	110	94.2	95.2	95.5	95.2	0.81	0.82	0.79	0.70	10634	1.95	0.45	4.5	32	1690	o.r.
1050	1SG7 453-8JA10-0A.0	890	118	94.5	95.4	95.5	95.1	0.80	0.81	0.76	0.65	11266	1.90	0.60	4.5	28	1310	o.r.
1060	1SG7 453-8JA10-0C.0	891	118	94.6	95.4	95.6	95.1	0.81	0.82	0.78	0.67	11361	2.10	0.50	5.0	36	1870	o.r.
1100	1SG7 454-8JA10-0A.0	890	124	94.5	95.4	95.7	95.3	0.80	0.81	0.78	0.68	11803	1.90	0.60	4.5	31	1350	o.r.
1120	1SG7 454-8JA10-0C.0	891	126	94.7	95.5	95.7	95.3	0.82	0.82	0.79	0.70	12004	2.10	0.50	5.0	40	1860	o.r.
1220	1SG7 457-8JA10-0A.0	891	140	95.0	95.6	95.6	95.1	0.81	0.80	0.74	0.62	13075	2.20	0.65	5.0	35	1930	o.r.
1240	1SG7 457-8JA10-0C.0	892	138	95.1	95.7	95.7	95.1	0.82	0.82	0.76	0.65	13275	2.45	0.60	5.5	45	2400	o.r.
1300	1SG7 458-8JA10-0A.0	892	148	95.1	95.7	95.7	95.2	0.81	0.80	0.75	0.62	13917	2.35	0.70	5.5	39	2200	o.r.
1330	1SG7 458-8JA10-0C.0	892	148	95.2	95.8	95.8	95.2	0.82	0.82	0.77	0.65	14238	2.54	0.60	5.5	50	2450	o.r.
1400	1SG7 502-8JA10-0A.0	894	164	95.7	96.0	96.2	95.8	0.80	0.78	0.76	0.65	14954	2.40	0.80	4.6	46	2160	o.r.
1600	1SG7 503-8JA10-0A.0	893	180	95.7	96.3	96.4	96.1	0.81	0.81	0.78	0.68	17110	2.20	0.75	4.4	51	2290	o.r.
1750	1SG7 503-8JA10-0C.0	893	194	95.7	96.2	96.4	96.1	0.81	0.82	0.78	0.69	18714	2.25	0.60	4.2	65	2340	o.r.
1900	1SG7 504-8JA10-0C.0	893	210	95.9	96.3	96.5	96.2	0.82	0.82	0.79	0.70	20318	2.30	0.60	4.3	72	2810	o.r.
1800	1SG7 504-8JA10-0A.0	893	200	95.9	96.4	96.6	96.3	0.81	0.82	0.79	0.70	19248	2.15	0.75	4.4	56	2420	o.r.
2000	1SG7 507-8JA10-0A.0	894	225	96.0	96.4	96.5	96.1	0.81	0.81	0.76	0.65	21363	2.40	0.85	4.7	63	2730	o.r.
2100	1SG7 507-8JA10-0C.0	893	230	96.0	96.4	96.6	96.3	0.82	0.83	0.79	0.70	22456	2.35	0.65	4.4	80	3120	o.r.

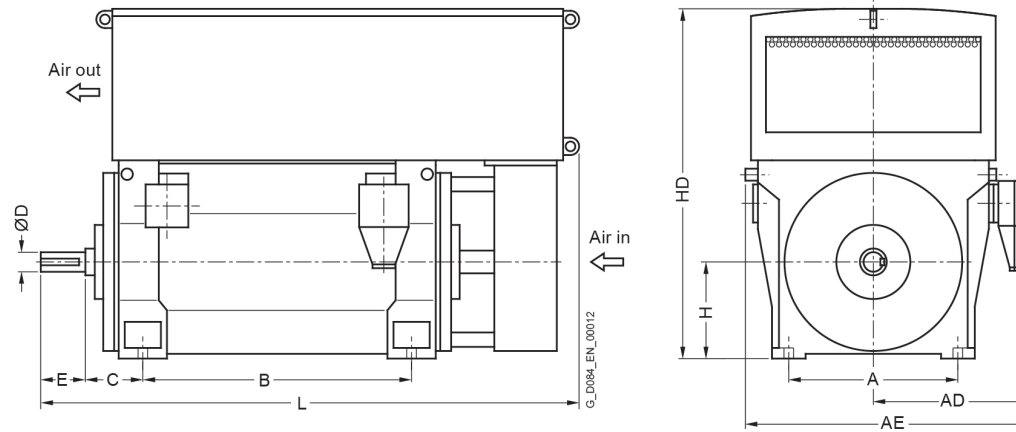
Innomotics HV M - 1SG. IC611 6600 V / 60 Hz B3 (IM 1001)																		
Rated power IEC	Article No.	Speed	Rated current I_R	Efficiency				Power factor				Torque T_R	Breakdown torque T_B/ T_R	Locked rotor torque T_{LR}/ T_R	Locked rotor current I_{LR}/ I_R	Inertia		
				5/4 load	4/4 load	3/4 load	2/4 load	5/4 load	4/4 load	3/4 load	2/4 load					motor	external	Startup max T/TR
kW		rpm	A	%	%	%	%	$\cos \varphi$	$\cos \varphi$	$\cos \varphi$	$\cos \varphi$	Nm	[-]	[-]	[-]	kgm ²	kgm ²	[-]
2200	1SG7 508-8JA10-0C.0	894	245	96.2	96.5	96.6	96.2	0.82	0.82	0.77	0.67	23499	2.60	0.70	4.8	88	3500	o.r.
2200	1SG7 508-8JA10-0A.0	893	245	96.1	96.5	96.7	96.4	0.81	0.82	0.78	0.68	23526	2.30	0.85	4.6	69	2940	o.r.
2500	1SG7 563-8JA10-0C.0	894	275	96.0	96.4	96.7	96.4	0.82	0.82	0.81	0.74	26704	2.05	0.55	4.6	124	2170	o.r.
2700	1SG7 564-8JA10-0C.0	894	300	96.2	96.5	96.8	96.4	0.83	0.82	0.80	0.73	28840	2.20	0.60	4.9	137	2485	o.r.
3050	1SG7 567-8JA10-0C.0	894	335	96.4	96.5	97.0	96.6	0.82	0.83	0.81	0.74	32579	2.15	0.55	4.8	150	3750	o.r.
3300	1SG7 568-8JA10-0C.0	895	365	96.7	96.6	97.0	96.5	0.83	0.82	0.78	0.70	35210	2.50	0.65	5.5	165	4470	o.r.
4100	1SG8 634-8JA10-0C.0	892	435	95.8	96.3	96.3	95.8	0.84	0.86	0.84	0.78	43893	1.90	0.40	4.2	251	3100	o.r.
4550	1SG8 637-8JA10-0C.0	893	480	96.1	96.5	96.5	96.0	0.85	0.86	0.84	0.78	48655	2.05	0.40	4.5	292	3820	o.r.
4800	1SG8 638-8JA10-0C.0	893	500	96.3	96.7	96.6	96.1	0.86	0.87	0.84	0.78	51329	2.10	0.45	4.7	326	4470	o.r.
5150	1SG8 712-8JA10-0C.0	895	530	96.6	96.9	96.7	96.1	0.87	0.87	0.83	0.75	54948	2.45	0.55	5.3	422	3770	o.r.
5500	1SG8 713-8JA10-0C.0	895	570	96.7	96.9	96.8	96.1	0.87	0.87	0.83	0.74	58683	2.55	0.60	5.5	472	4490	o.r.
6300	1SG8 714-8JA10-0C.0	895	650	96.8	97.1	97.0	96.4	0.87	0.87	0.84	0.77	67219	2.40	0.50	5.2	541	4910	o.r.
6900	1SG8 717-8JA10-0C.0	895	710	96.9	97.2	97.2	96.8	0.87	0.88	0.86	0.80	73620	2.35	0.50	5.2	620	5650	o.r.
7450	1SG8 718-8JA10-0C.0	895	750	97.0	97.3	97.3	96.9	0.88	0.89	0.86	0.81	79489	2.35	0.50	5.2	684	6240	o.r.



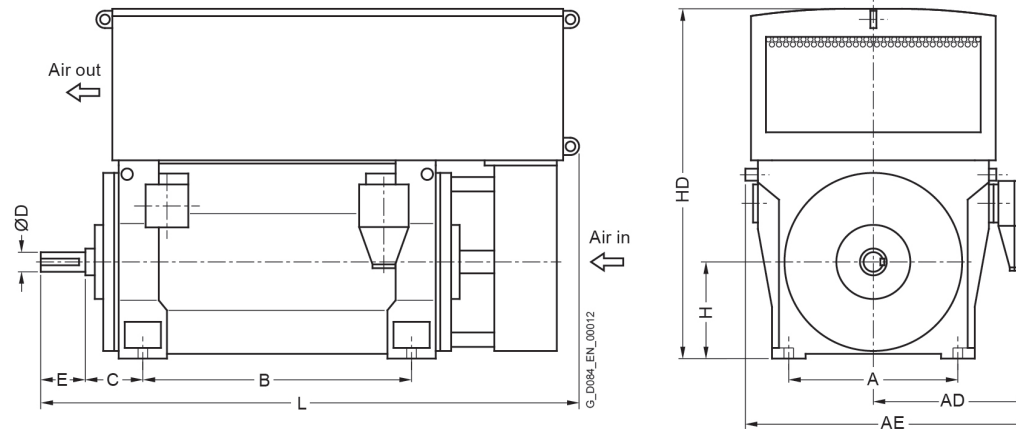
Motor type	Weight	Dimensions										
		A	AD	AE	B	C	D	E	H	HD	L	ML
	kg	mm	mm	mm	mm	mm	mm	mm	mm	mm	mm	mm
Innomotics HV M - 1SG. IC611 6600 V / 60 Hz B3 (IM 1001) - Dimension drawings												
2-pole												
1SG7 453-2JA10-0AA0	4600	850	925	1545	1180	250	95	130	450	1900	2650	200
1SG7 453-2JA10-0AC0	4500	850	925	1545	1180	475	95	130	450	1900	2880	200
1SG7 453-2JA10-0CA0	4750	850	925	1545	1180	250	95	130	450	1900	2650	200
1SG7 453-2JA10-0CC0	4650	850	925	1545	1180	475	95	130	450	1900	2880	200
1SG7 454-2JA10-0AA0	4700	850	925	1545	1180	250	95	130	450	1900	2650	200
1SG7 454-2JA10-0AC0	4600	850	925	1545	1180	475	95	130	450	1900	2880	200
1SG7 454-2JA10-0CA0	4850	850	925	1545	1180	250	95	130	450	1900	2650	200
1SG7 454-2JA10-0CC0	4750	850	925	1545	1180	475	95	130	450	1900	2880	200
1SG7 457-2JA10-0AA0	5200	850	925	1545	1400	250	95	130	450	1900	2860	200
1SG7 457-2JA10-0AC0	5050	850	925	1545	1400	475	95	130	450	1900	3090	200
1SG7 457-2JA10-0CA0	5300	850	925	1545	1400	250	95	130	450	1900	2860	200
1SG7 457-2JA10-0CC0	5200	850	925	1545	1400	475	95	130	450	1900	3090	200
1SG7 458-2JA10-0AA0	5350	850	925	1545	1400	250	95	130	450	1900	2860	200
1SG7 458-2JA10-0AC0	5250	850	925	1545	1400	475	95	130	450	1900	3090	200
1SG7 458-2JA10-0CA0	5500	850	925	1545	1400	250	95	130	450	1900	2860	200
1SG7 458-2JA10-0CC0	5400	850	925	1545	1400	475	95	130	450	1900	3090	200
1SG7 502-2JA10-0CA0	6250	950	1005	1705	1320	250	110	165	500	2210	2920	250
1SG7 502-2JA10-0CC0	6150	950	1005	1705	1320	530	120	165	500	2210	3200	250
1SG7 503-2JA10-0CA0	6500	950	1005	1705	1320	250	110	165	500	2210	2920	250
1SG7 503-2JA10-0CC0	6400	950	1005	1705	1320	530	120	165	500	2210	3200	250
1SG7 504-2JA10-0CA0	6600	950	1005	1705	1320	250	110	165	500	2210	2920	250
1SG7 504-2JA10-0CC0	6550	950	1005	1705	1320	530	120	165	500	2210	3200	250



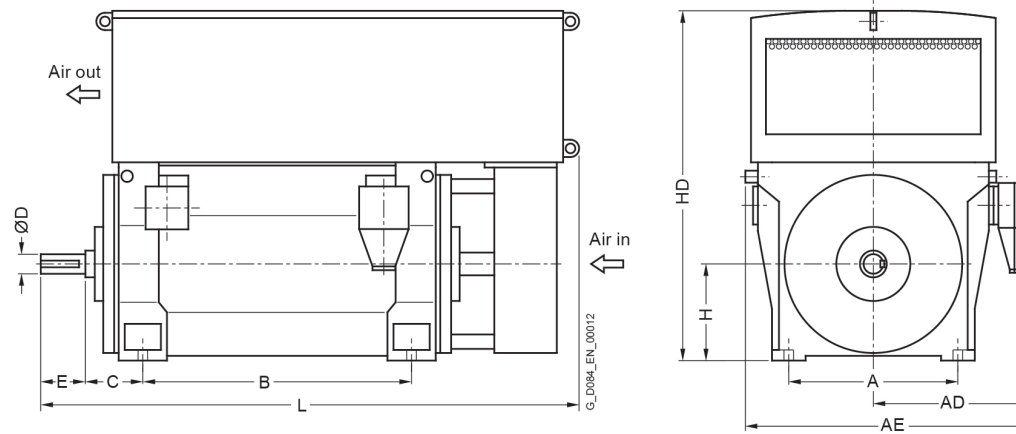
Motor type	Weight	Dimensions										
		A	AD	AE	B	C	D	E	H	HD	L	ML
	kg	mm	mm	mm	mm	mm	mm	mm	mm	mm	mm	mm
Innomotics HV M - 1SG. IC611 6600 V / 60 Hz B3 (IM 1001) - Dimension drawings												
1SG7 507-2JA10-0CA0	7300	950	1005	1705	1500	250	110	165	500	2210	3130	250
1SG7 507-2JA10-0CC0	7200	950	1005	1705	1500	530	120	165	500	2210	3410	250
1SG7 508-2JA10-0CA0	7600	950	1005	1705	1500	250	110	165	500	2210	3130	250
1SG7 508-2JA10-0CC0	7550	950	1005	1705	1500	530	120	165	500	2210	3410	250
1SG7 562-2JA10-0CC0	8300	1060	1290	2060	1400	600	150	200	560	2330	3450	300
1SG7 563-2JA10-0CC0	8550	1060	1290	2060	1400	600	150	200	560	2330	3450	300
1SG7 564-2JA10-0CC0	8850	1060	1290	2060	1400	600	150	200	560	2330	3450	300
1SG7 567-2JA10-0CC0	9650	1060	1290	2060	1600	600	150	200	560	2330	3680	300
1SG7 568-2JA10-0CC0	10300	1060	1290	2060	1600	600	150	200	560	2330	3680	300
1SG8 632-2JA10-0CJ0	10300	1320	1520	2520	1600	560	160	240	630	2710	3680	350
1SG8 633-2JA10-0CJ0	10800	1320	1520	2520	1600	560	160	240	630	2710	3680	350
1SG8 634-2JA10-0CJ0	11300	1320	1520	2520	1600	560	160	240	630	2710	3680	350
1SG8 637-2JA10-0CJ0	12250	1320	1520	2520	1800	560	160	240	630	2710	3880	350
1SG8 638-2JA10-0CJ0	12850	1320	1520	2520	1800	560	160	240	630	2710	3880	350
1SG8 712-2JA10-0CJ0	14700	1500	1620	2720	2000	560	180	240	710	3090	4400	400
1SG8 713-2JA10-0CJ0	15300	1500	1620	2720	2000	560	180	240	710	3090	4400	400
1SG8 714-2JA10-0CJ0	16050	1500	1620	2720	2000	560	180	240	710	3090	4400	400
1SG8 716-2JA10-0CJ0	17200	1500	1620	2720	2240	560	180	240	710	3090	4640	400
1SG8 717-2JA10-0CJ0	18000	1500	1620	2720	2240	560	180	240	710	3090	4640	400
4-pole												
1SG7 453-4JA10-0AA0	4600	850	925	1545	1180	250	130	200	450	1900	2720	200
1SG7 453-4JA10-0AC0	4600	850	925	1545	1180	500	130	200	450	1900	2970	200
1SG7 453-4JA10-0CA0	4700	850	925	1545	1180	250	130	200	450	1900	2720	200



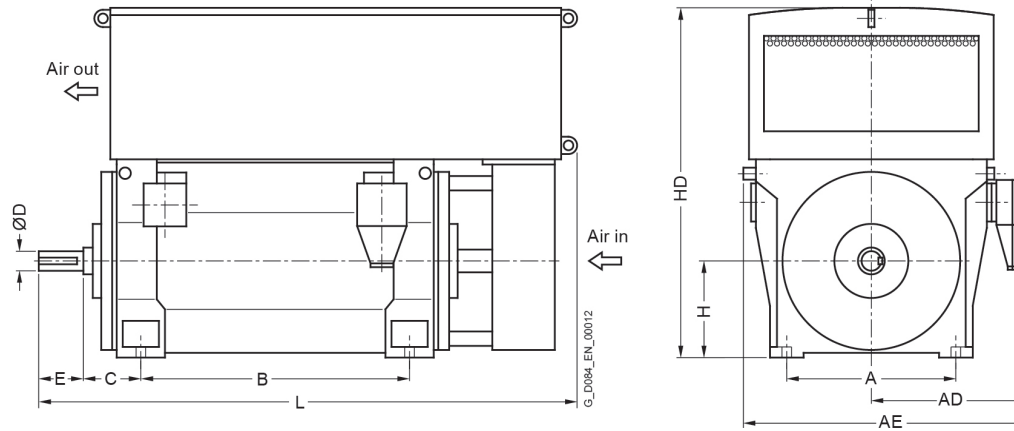
Motor type	Weight	Dimensions												
		A	AD	AE	B	C	D	E	H	HD	L	ML		
	kg	mm	mm	mm	mm	mm	mm	mm	mm	mm	mm	mm	mm	
Innomotics HV M - 1SG. IC611 6600 V / 60 Hz B3 (IM 1001) - Dimension drawings														
1SG7 453-4JA10-0CC0	4750	850	925	1545	1180	500	130	200	450	1900	2970	200		
1SG7 454-4JA10-0CA0	4950	850	925	1545	1180	250	130	200	450	1900	2720	200		
1SG7 454-4JA10-0CC0	4950	850	925	1545	1180	500	130	200	450	1900	2970	200		
1SG7 454-4JA10-0AA0	4750	850	925	1545	1180	250	130	200	450	1900	2720	200		
1SG7 454-4JA10-0AC0	4750	850	925	1545	1180	500	130	200	450	1900	2970	200		
1SG7 457-4JA10-0CA0	5550	850	925	1545	1400	250	130	200	450	1900	2930	200		
1SG7 457-4JA10-0CC0	5550	850	925	1545	1400	500	130	200	450	1900	3180	200		
1SG7 457-4JA10-0AA0	5400	850	925	1545	1400	250	130	200	450	1900	2930	200		
1SG7 457-4JA10-0AC0	5400	850	925	1545	1400	500	130	200	450	1900	3180	200		
1SG7 458-4JA10-0CA0	5750	850	925	1545	1400	250	130	200	450	1900	2930	200		
1SG7 458-4JA10-0CC0	5800	850	925	1545	1400	500	130	200	450	1900	3180	200		
1SG7 458-4JA10-0AA0	5600	850	925	1545	1400	250	130	200	450	1900	2930	200		
1SG7 458-4JA10-0AC0	5650	850	925	1545	1400	500	130	200	450	1900	3180	200		
1SG7 503-4JA10-0AA0	6600	950	1005	1705	1320	315	160	240	500	2210	3060	250		
1SG7 503-4JA10-0AC0	6700	950	1005	1705	1320	560	170	240	500	2210	3300	250		
1SG7 503-4JA10-0CA0	6750	950	1005	1705	1320	315	160	240	500	2210	3060	250		
1SG7 503-4JA10-0CC0	6800	950	1005	1705	1320	560	170	240	500	2210	3300	250		
1SG7 504-4JA10-0AA0	6900	950	1005	1705	1320	315	160	240	500	2210	3060	250		
1SG7 504-4JA10-0AC0	6950	950	1005	1705	1320	560	170	240	500	2210	3300	250		
1SG7 504-4JA10-0CA0	7050	950	1005	1705	1320	315	160	240	500	2210	3060	250		
1SG7 504-4JA10-0CC0	7100	950	1005	1705	1320	560	170	240	500	2210	3300	250		
1SG7 507-4JA10-0CA0	7750	950	1005	1705	1500	315	160	240	500	2210	3270	250		
1SG7 507-4JA10-0CC0	7800	950	1005	1705	1500	560	170	240	500	2210	3510	250		



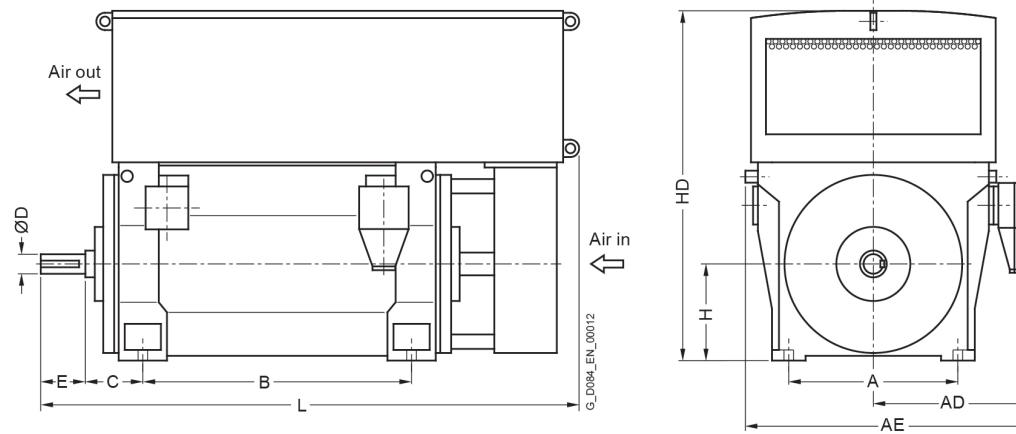
Motor type	Weight	Dimensions												
		A	AD	AE	B	C	D	E	H	HD	L	ML		
	kg	mm	mm	mm	mm	mm	mm	mm	mm	mm	mm	mm	mm	
Innomotics HV M - 1SG. IC611 6600 V / 60 Hz B3 (IM 1001) - Dimension drawings														
1SG7 507-4JA10-0AA0	7600	950	1005	1705	1500	315	160	240	500	2210	3270	250		
1SG7 507-4JA10-0AC0	7650	950	1005	1705	1500	560	170	240	500	2210	3510	250		
1SG7 508-4JA10-0AA0	7950	950	1005	1705	1500	315	160	240	500	2210	3270	250		
1SG7 508-4JA10-0AC0	8000	950	1005	1705	1500	560	170	240	500	2210	3510	250		
1SG7 508-4JA10-0CA0	8100	950	1005	1705	1500	315	160	240	500	2210	3270	250		
1SG7 508-4JA10-0CC0	8200	950	1005	1705	1500	560	170	240	500	2210	3510	250		
1SG7 563-4JA10-0CA0	8550	1060	1290	2060	1400	335	190	280	560	2330	3260	300		
1SG7 563-4JA10-0CC0	8600	1060	1290	2060	1400	600	190	280	560	2330	3530	300		
1SG7 564-4JA10-0CA0	9050	1060	1290	2060	1400	335	190	280	560	2330	3260	300		
1SG7 564-4JA10-0CC0	9100	1060	1290	2060	1400	600	190	280	560	2330	3530	300		
1SG7 566-4JA10-0CA0	9950	1060	1290	2060	1600	335	190	280	560	2330	3490	300		
1SG7 566-4JA10-0CC0	9950	1060	1290	2060	1600	600	190	280	560	2330	3760	300		
1SG7 567-4JA10-0CA0	10400	1060	1290	2060	1600	335	190	280	560	2330	3490	300		
1SG7 567-4JA10-0CC0	10450	1060	1290	2060	1600	600	190	280	560	2330	3760	300		
1SG7 568-4JA10-0CA0	10850	1060	1290	2060	1600	335	190	280	560	2330	3490	300		
1SG7 568-4JA10-0CC0	10900	1060	1290	2060	1600	600	190	280	560	2330	3760	300		
1SG8 633-4JA10-0CG0	11350	1320	1520	2520	1600	375	200	280	630	2710	3530	350		
1SG8 633-4JA10-0CJ0	11500	1320	1520	2520	1600	630	200	280	630	2710	3790	350		
1SG8 634-4JA10-0CC0	11950	1320	1520	2520	1600	375	200	280	630	2710	3530	350		
1SG8 634-4JA10-0CJ0	12100	1320	1520	2520	1600	630	200	280	630	2710	3790	350		
1SG8 637-4JA10-0CG0	12800	1320	1520	2520	1800	375	200	280	630	2710	3730	350		
1SG8 637-4JA10-0CJ0	12900	1320	1520	2520	1800	630	200	280	630	2710	3990	350		
1SG8 638-4JA10-0CG0	13500	1320	1520	2520	1800	375	200	280	630	2710	3730	350		



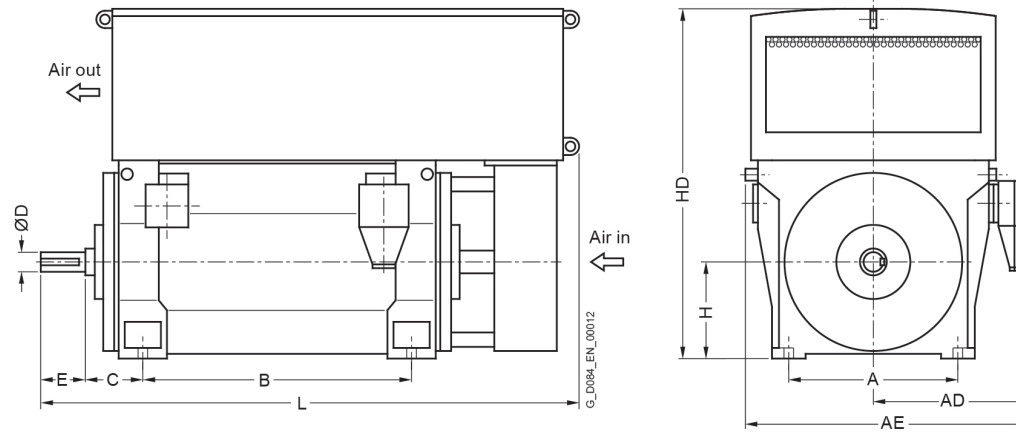
Motor type	Weight	Dimensions										
		A	AD	AE	B	C	D	E	H	HD	L	ML
	kg	mm	mm	mm	mm	mm	mm	mm	mm	mm	mm	mm
Innomotics HV M - 1SG. IC611 6600 V / 60 Hz B3 (IM 1001) - Dimension drawings												
1SG8 638-4JA10-0CJ0	13650	1320	1520	2520	1800	630	200	280	630	2710	3990	350
1SG8 712-4JA10-0CG0	15650	1500	1620	2720	2000	375	220	280	710	3090	3980	400
1SG8 712-4JA10-0CJ0	15750	1500	1620	2720	2000	630	220	280	710	3090	4230	400
1SG8 713-4JA10-0CG0	16350	1500	1620	2720	2000	375	220	280	710	3090	3980	400
1SG8 713-4JA10-0CJ0	16450	1500	1620	2720	2000	630	220	280	710	3090	4230	400
1SG8 714-4JA10-0CG0	17150	1500	1620	2720	2000	375	220	280	710	3090	3980	400
1SG8 714-4JA10-0CJ0	17250	1500	1620	2720	2000	630	220	280	710	3090	4230	400
1SG8 717-4JA10-0CG0	18500	1500	1620	2720	2240	375	220	280	710	3090	4220	400
1SG8 717-4JA10-0CJ0	18600	1500	1620	2720	2240	630	220	280	710	3090	4470	400
1SG8 718-4JA10-0CG0	19050	1500	1620	2720	2240	375	220	280	710	3090	4220	400
1SG8 718-4JA10-0CJ0	19150	1500	1620	2720	2240	630	220	280	710	3090	4470	400
6-pole												
1SG7 452-6JA10-0AA0	4450	850	925	1545	1180	250	130	200	450	1900	2720	200
1SG7 452-6JA10-0AC0	4450	850	925	1545	1180	500	130	200	450	1900	2970	200
1SG7 453-6JA10-0AA0	4600	850	925	1545	1180	250	130	200	450	1900	2720	200
1SG7 453-6JA10-0AC0	4650	850	925	1545	1180	500	130	200	450	1900	2970	200
1SG7 453-6JA10-0CA0	4750	850	925	1545	1180	250	130	200	450	1900	2720	200
1SG7 453-6JA10-0CC0	4800	850	925	1545	1180	500	130	200	450	1900	2970	200
1SG7 454-6JA10-0AA0	4800	850	925	1545	1180	250	130	200	450	1900	2720	200
1SG7 454-6JA10-0AC0	4800	850	925	1545	1180	500	130	200	450	1900	2970	200
1SG7 454-6JA10-0CA0	4950	850	925	1545	1180	250	130	200	450	1900	2720	200
1SG7 454-6JA10-0CC0	4950	850	925	1545	1180	500	130	200	450	1900	2970	200
1SG7 457-6JA10-0AA0	5250	850	925	1545	1400	250	130	200	450	1900	2930	200



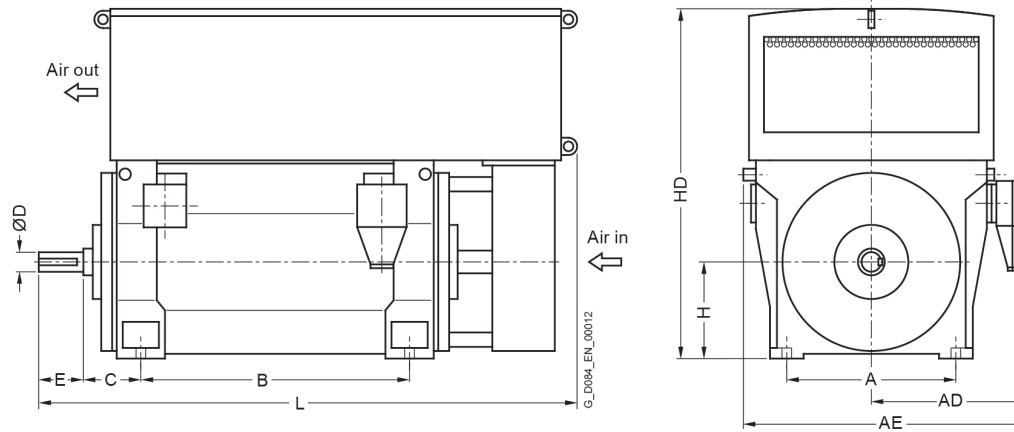
Motor type	Weight kg	Dimensions										
		A mm	AD mm	AE mm	B mm	C mm	D mm	E mm	H mm	HD mm	L mm	ML mm
Innomotics HV M - 1SG. IC611 6600 V / 60 Hz B3 (IM 1001) - Dimension drawings												
1SG7 457-6JA10-0AC0	5300	850	925	1545	1400	500	130	200	450	1900	3180	200
1SG7 457-6JA10-0CA0	5450	850	925	1545	1400	250	130	200	450	1900	2930	200
1SG7 457-6JA10-0CC0	5450	850	925	1545	1400	500	130	200	450	1900	3180	200
1SG7 458-6JA10-0AA0	5550	850	925	1545	1400	250	130	200	450	1900	2930	200
1SG7 458-6JA10-0AC0	5550	850	925	1545	1400	500	130	200	450	1900	3180	200
1SG7 458-6JA10-0CA0	5750	850	925	1545	1400	250	130	200	450	1900	2930	200
1SG7 458-6JA10-0CC0	5750	850	925	1545	1400	500	130	200	450	1900	3180	200
1SG7 502-6JA10-0AA0	6500	950	1005	1705	1320	315	160	240	500	2210	3060	250
1SG7 502-6JA10-0AC0	6500	950	1005	1705	1320	560	170	240	500	2210	3300	250
1SG7 502-6JA10-0CA0	6700	950	1005	1705	1320	315	160	240	500	2210	3060	250
1SG7 502-6JA10-0CC0	6700	950	1005	1705	1320	560	170	240	500	2210	3300	250
1SG7 503-6JA10-0AA0	6700	950	1005	1705	1320	315	160	240	500	2210	3060	250
1SG7 503-6JA10-0AC0	6750	950	1005	1705	1320	560	170	240	500	2210	3300	250
1SG7 503-6JA10-0CA0	6950	950	1005	1705	1320	315	160	240	500	2210	3060	250
1SG7 503-6JA10-0CC0	6950	950	1005	1705	1320	560	170	240	500	2210	3300	250
1SG7 504-6JA10-0AA0	7000	950	1005	1705	1320	315	160	240	500	2210	3060	250
1SG7 504-6JA10-0AC0	7000	950	1005	1705	1320	560	170	240	500	2210	3300	250
1SG7 504-6JA10-0CA0	7250	950	1005	1705	1320	315	160	240	500	2210	3060	250
1SG7 504-6JA10-0CC0	7250	950	1005	1705	1320	560	170	240	500	2210	3300	250
1SG7 507-6JA10-0AA0	7700	950	1005	1705	1500	315	160	240	500	2210	3270	250
1SG7 507-6JA10-0AC0	7750	950	1005	1705	1500	560	170	240	500	2210	3510	250
1SG7 507-6JA10-0CA0	7950	950	1005	1705	1500	315	160	240	500	2210	3270	250
1SG7 507-6JA10-0CC0	8000	950	1005	1705	1500	560	170	240	500	2210	3510	250



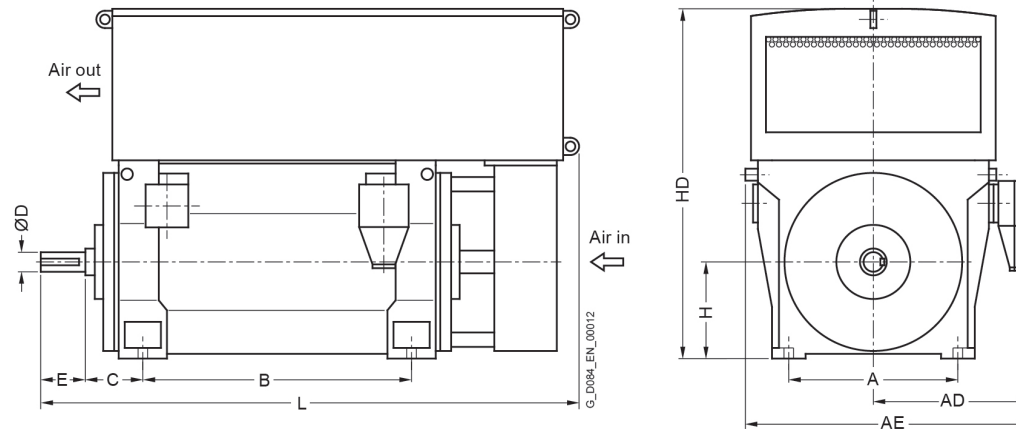
Motor type	Weight	Dimensions										
		A	AD	AE	B	C	D	E	H	HD	L	ML
	kg	mm	mm	mm	mm	mm	mm	mm	mm	mm	mm	mm
Innomotics HV M - 1SG. IC611 6600 V / 60 Hz B3 (IM 1001) - Dimension drawings												
1SG7 508-6JA10-0AA0	8000	950	1005	1705	1500	315	160	240	500	2210	3270	250
1SG7 508-6JA10-0AC0	8050	950	1005	1705	1500	560	170	240	500	2210	3510	250
1SG7 561-6JA10-0CA0	8450	1060	1290	2060	1400	335	190	280	560	2330	3260	300
1SG7 561-6JA10-0CC0	8500	1060	1290	2060	1400	600	190	280	560	2330	3530	300
1SG7 563-6JA10-0CA0	9100	1060	1290	2060	1400	335	190	280	560	2330	3260	300
1SG7 563-6JA10-0CC0	9150	1060	1290	2060	1400	600	190	280	560	2330	3530	300
1SG7 567-6JA10-0CA0	10350	1060	1290	2060	1600	335	190	280	560	2330	3490	300
1SG7 567-6JA10-0CC0	10350	1060	1290	2060	1600	600	190	280	560	2330	3760	300
1SG7 568-6JA10-0CA0	10950	1060	1290	2060	1600	335	190	280	560	2330	3490	300
1SG7 568-6JA10-0CC0	11000	1060	1290	2060	1600	600	190	280	560	2330	3760	300
1SG8 632-6JA10-0CG0	11450	1320	1520	2520	1600	375	200	280	630	2710	3530	350
1SG8 632-6JA10-0CJ0	11500	1320	1520	2520	1600	630	200	280	630	2710	3790	350
1SG8 633-6JA10-0CG0	12000	1320	1520	2520	1600	375	200	280	630	2710	3530	350
1SG8 633-6JA10-0CJ0	12050	1320	1520	2520	1600	630	200	280	630	2710	3790	350
1SG8 634-6JA10-0CG0	12500	1320	1520	2520	1600	375	200	280	630	2710	3530	350
1SG8 634-6JA10-0CJ0	12550	1320	1520	2520	1600	630	200	280	630	2710	3790	350
1SG8 637-6JA10-0CG0	13400	1320	1520	2520	1800	375	200	280	630	2710	3730	350
1SG8 637-6JA10-0CJ0	13450	1320	1520	2520	1800	630	200	280	630	2710	3990	350
1SG8 638-6JA10-0CC0	13850	1320	1520	2520	1800	375	200	280	630	2710	3730	350
1SG8 638-6JA10-0CJ0	13900	1320	1520	2520	1800	630	200	280	630	2710	3990	350
1SG8 712-6JA10-0CC0	15600	1500	1620	2720	2000	375	220	280	710	3090	3980	400
1SG8 712-6JA10-0CJ0	15750	1500	1620	2720	2000	630	220	280	710	3090	4230	400
1SG8 713-6JA10-0CG0	16600	1500	1620	2720	2000	375	220	280	710	3090	3980	400



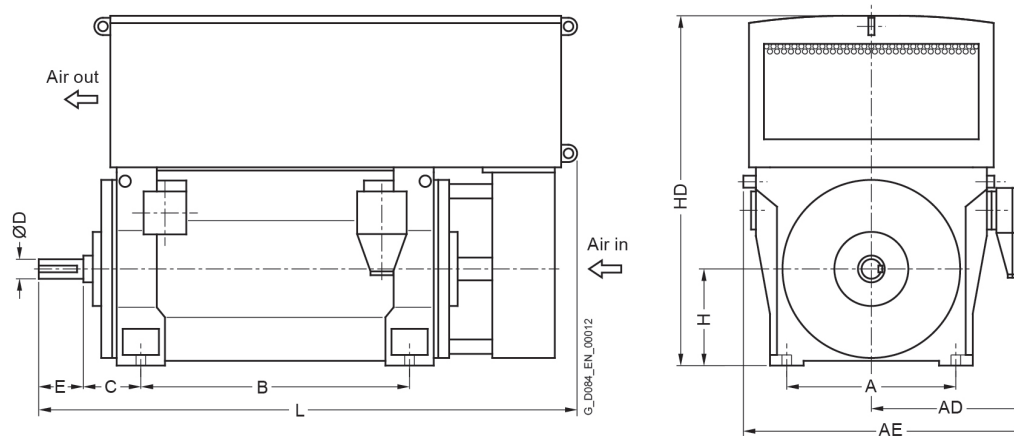
Motor type	Weight	Dimensions										
		A	AD	AE	B	C	D	E	H	HD	L	ML
	kg	mm	mm	mm	mm	mm	mm	mm	mm	mm	mm	mm
Innomotics HV M - 1SG. IC611 6600 V / 60 Hz B3 (IM 1001) - Dimension drawings												
1SG8 713-6JA10-0CJ0	16700	1500	1620	2720	2000	630	220	280	710	3090	4230	400
1SG8 714-6JA10-0CG0	17600	1500	1620	2720	2000	375	220	280	710	3090	3980	400
1SG8 714-6JA10-0CJ0	17700	1500	1620	2720	2000	630	220	280	710	3090	4230	400
1SG8 717-6JA10-0CG0	19200	1500	1620	2720	2240	375	220	280	710	3090	4220	400
1SG8 717-6JA10-0CJ0	19350	1500	1620	2720	2240	630	220	280	710	3090	4470	400
1SG8 718-6JA10-0CG0	20100	1500	1620	2720	2240	375	220	280	710	3090	4220	400
1SG8 718-6JA10-0CJ0	20250	1500	1620	2720	2240	630	220	280	710	3090	4470	400
8-pole												
1SG7 452-8JA10-0AA0	4600	850	925	1545	1180	250	130	200	450	1900	2720	200
1SG7 452-8JA10-0AC0	4600	850	925	1545	1180	500	130	200	450	1900	2970	200
1SG7 452-8JA10-0CA0	4750	850	925	1545	1180	250	130	200	450	1900	2720	200
1SG7 452-8JA10-0CC0	4750	850	925	1545	1180	500	130	200	450	1900	2970	200
1SG7 453-8JA10-0AA0	4800	850	925	1545	1180	250	130	200	450	1900	2720	200
1SG7 453-8JA10-0AC0	4800	850	925	1545	1180	500	130	200	450	1900	2970	200
1SG7 453-8JA10-0CA0	4950	850	925	1545	1180	250	130	200	450	1900	2720	200
1SG7 453-8JA10-0CC0	4950	850	925	1545	1180	500	130	200	450	1900	2970	200
1SG7 454-8JA10-0AA0	5000	850	925	1545	1180	250	130	200	450	1900	2720	200
1SG7 454-8JA10-0AC0	5000	850	925	1545	1180	500	130	200	450	1900	2970	200
1SG7 454-8JA10-0CA0	5200	850	925	1545	1180	250	130	200	450	1900	2720	200
1SG7 454-8JA10-0CC0	5200	850	925	1545	1180	500	130	200	450	1900	2970	200
1SG7 457-8JA10-0AA0	5550	850	925	1545	1400	250	130	200	450	1900	2930	200
1SG7 457-8JA10-0AC0	5550	850	925	1545	1400	500	130	200	450	1900	3180	200
1SG7 457-8JA10-0CA0	5750	850	925	1545	1400	250	130	200	450	1900	2930	200



Motor type	Weight kg	Dimensions										
		A mm	AD mm	AE mm	B mm	C mm	D mm	E mm	H mm	HD mm	L mm	ML mm
Innomotics HV M - 1SG. IC611 6600 V / 60 Hz B3 (IM 1001) - Dimension drawings												
1SG7 457-8JA10-0CC0	5750	850	925	1545	1400	500	130	200	450	1900	3180	200
1SG7 458-8JA10-0AA0	5800	850	925	1545	1400	250	130	200	450	1900	2930	200
1SG7 458-8JA10-0AC0	5800	850	925	1545	1400	500	130	200	450	1900	3180	200
1SG7 458-8JA10-0CA0	6000	850	925	1545	1400	250	130	200	450	1900	2930	200
1SG7 458-8JA10-0CC0	6000	850	925	1545	1400	500	130	200	450	1900	3180	200
1SG7 502-8JA10-0AA0	6500	950	1005	1705	1320	315	160	240	500	2210	3060	250
1SG7 502-8JA10-0AC0	6500	950	1005	1705	1320	560	170	240	500	2210	3300	250
1SG7 503-8JA10-0AA0	6750	950	1005	1705	1320	315	160	240	500	2210	3060	250
1SG7 503-8JA10-0AC0	6750	950	1005	1705	1320	560	170	240	500	2210	3300	250
1SG7 503-8JA10-0CA0	6950	950	1005	1705	1320	315	160	240	500	2210	3060	250
1SG7 503-8JA10-0CC0	6950	950	1005	1705	1320	560	170	240	500	2210	3300	250
1SG7 504-8JA10-0CA0	7250	950	1005	1705	1320	315	160	240	500	2210	3060	250
1SG7 504-8JA10-0CC0	7300	950	1005	1705	1320	560	170	240	500	2210	3300	250
1SG7 504-8JA10-0AA0	7050	950	1005	1705	1320	315	160	240	500	2210	3060	250
1SG7 504-8JA10-0AC0	7050	950	1005	1705	1320	560	170	240	500	2210	3300	250
1SG7 507-8JA10-0AA0	7700	950	1005	1705	1500	315	160	240	500	2210	3270	250
1SG7 507-8JA10-0AC0	7750	950	1005	1705	1500	560	170	240	500	2210	3510	250
1SG7 507-8JA10-0CA0	8000	950	1005	1705	1500	315	160	240	500	2210	3270	250
1SG7 507-8JA10-0CC0	8000	950	1005	1705	1500	560	170	240	500	2210	3510	250
1SG7 508-8JA10-0CA0	8300	950	1005	1705	1500	315	160	240	500	2210	3270	250
1SG7 508-8JA10-0CC0	8350	950	1005	1705	1500	560	170	240	500	2210	3510	250
1SG7 508-8JA10-0AA0	8050	950	1005	1705	1500	315	160	240	500	2210	3270	250
1SG7 508-8JA10-0AC0	8100	950	1005	1705	1500	560	170	240	500	2210	3510	250



Motor type	Weight	Dimensions										
		A	AD	AE	B	C	D	E	H	HD	L	ML
	kg	mm	mm	mm	mm	mm	mm	mm	mm	mm	mm	mm
Innomotics HV M - 1SG. IC611 6600 V / 60 Hz B3 (IM 1001) - Dimension drawings												
1SG7 563-8JA10-0CA0	8850	1060	1075	1845	1400	335	190	280	560	2330	3260	300
1SG7 563-8JA10-0CC0	8900	1060	1075	1845	1400	600	190	280	560	2330	3530	300
1SG7 564-8JA10-0CA0	9250	1060	1075	1845	1400	335	190	280	560	2330	3260	300
1SG7 564-8JA10-0CC0	9300	1060	1075	1845	1400	600	190	280	560	2330	3530	300
1SG7 567-8JA10-0CA0	10200	1060	1075	1845	1600	335	190	280	560	2330	3490	300
1SG7 567-8JA10-0CC0	10250	1060	1075	1845	1600	600	190	280	560	2330	3760	300
1SG7 568-8JA10-0CA0	10700	1060	1075	1845	1600	335	190	280	560	2330	3490	300
1SG7 568-8JA10-0CC0	10750	1060	1075	1845	1600	600	190	280	560	2330	3760	300
1SG8 634-8JA10-0CG0	11600	1320	1520	2520	1600	375	200	280	630	2570	3530	350
1SG8 634-8JA10-0CJ0	11650	1320	1520	2520	1600	630	200	280	630	2570	3790	350
1SG8 637-8JA10-0CG0	12800	1320	1520	2520	1800	375	200	280	630	2570	3730	350
1SG8 637-8JA10-0CJ0	12850	1320	1520	2520	1800	630	200	280	630	2570	3990	350
1SG8 638-8JA10-0CG0	13550	1320	1520	2520	1800	375	200	280	630	2570	3730	350
1SG8 638-8JA10-0CJ0	13600	1320	1520	2520	1800	630	200	280	630	2570	3990	350
1SG8 712-8JA10-0CG0	15150	1500	1620	2720	2000	375	220	280	710	3090	3980	400
1SG8 712-8JA10-0CJ0	15300	1500	1620	2720	2000	630	220	280	710	3090	4230	400
1SG8 713-8JA10-0CG0	15950	1500	1620	2720	2000	375	220	280	710	3090	3980	400
1SG8 713-8JA10-0CJ0	16150	1500	1620	2720	2000	630	220	280	710	3090	4230	400
1SG8 714-8JA10-0CG0	17100	1500	1620	2720	2000	375	220	280	710	3090	3980	400
1SG8 714-8JA10-0CJ0	17300	1500	1620	2720	2000	630	220	280	710	3090	4230	400
1SG8 717-8JA10-0CG0	18800	1500	1620	2720	2240	375	220	280	710	3090	4220	400
1SG8 717-8JA10-0CJ0	18950	1500	1620	2720	2240	630	220	280	710	3090	4470	400
1SG8 718-8JA10-0CG0	19850	1500	1620	2720	2240	375	220	280	710	3090	4220	400



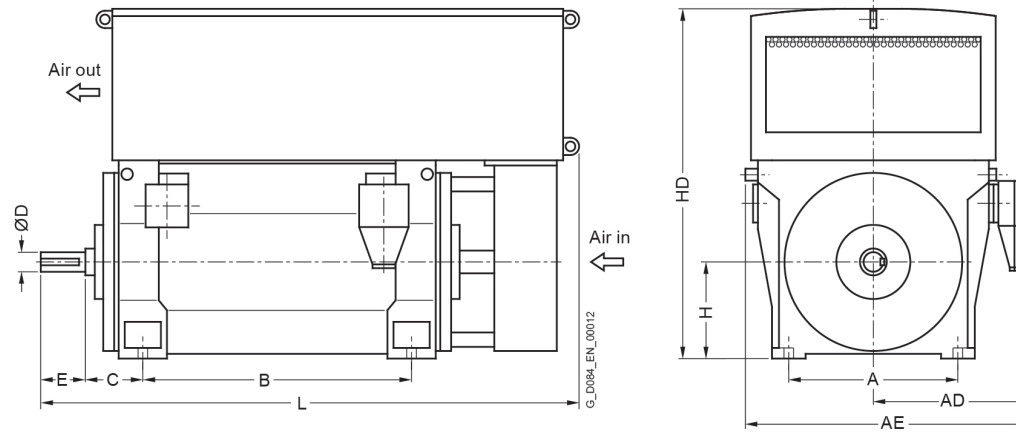
Motor type	Weight	Dimensions											
		A	AD	AE	B	C	D	E	H	HD	L	ML	
	kg	mm	mm	mm	mm	mm	mm	mm	mm	mm	mm	mm	mm
Innomotics HV M - 1SG. IC611 6600 V / 60 Hz B3 (IM 1001) - Dimension drawings													
1SG8 718-8JA10-0CJ0	20050	1500	1620	2720	2240	630	220	280	710	3090	4470	400	

Innomotics HV M - 1SG. IC611 10000 V / 50 Hz B3 (IM 1001)																					
Rated power IEC	Article No.	Speed	Rated current				Efficiency				Power factor				Torque	Breakdown torque	Locked torque	Locked rotor current	Inertia		
			I_R	5/4 load	4/4 load	3/4 load	2/4 load	5/4 load	4/4 load	3/4 load	2/4 load	5/4 load	4/4 load	3/4 load					2/4 load	T_R	T_B/ T_R
kW		rpm	A	%	%	%	%	cos φ	cos φ	cos φ	cos φ	Nm	[-]	[-]	[-]	kgm ²	kgm ²	[-]			
2-pole: n_{sync} = 3000 rpm at 50 Hz																					
1260	1SG7 453-2JA80-0A.2	2979	85	95.2	95.7	95.8	95.1	0.88	0.89	0.88	0.82	4040	2.40	0.55	5.8	10	60	o.r.			
1280	1SG7 453-2JA80-0C.2	2981	87	95.3	95.7	95.8	95.2	0.88	0.89	0.89	0.84	4103	2.45	0.60	5.5	14	100	o.r.			
1400	1SG7 454-2JA80-0C.2	2981	94	95.5	95.8	95.8	95.1	0.89	0.90	0.89	0.84	4485	2.60	0.65	6.0	15	100	o.r.			
1400	1SG7 454-2JA80-0A.2	2979	94	95.2	95.8	96.0	95.6	0.88	0.90	0.89	0.86	4493	2.40	0.55	5.8	11	60	o.r.			
1600	1SG7 457-2JA80-0A.2	2980	106	95.6	96.0	96.1	95.5	0.89	0.90	0.89	0.84	5129	2.60	0.60	5.8	12	70	o.r.			
1600	1SG7 457-2JA80-0C.2	2981	106	95.6	96.0	96.1	95.5	0.89	0.90	0.90	0.86	5128	2.60	0.65	6.0	16	120	o.r.			
1800	1SG7 458-2JA80-0A.2	2980	120	95.8	96.2	96.3	95.8	0.89	0.90	0.89	0.85	5770	2.70	0.60	6.0	13	70	o.r.			
1800	1SG7 458-2JA80-0C.2	2981	120	95.8	96.2	96.3	95.8	0.90	0.90	0.90	0.86	5768	2.65	0.65	6.0	18	120	o.r.			
1920	1SG7 503-2JA80-0A.2	2973	130	95.6	96.1	96.3	96.0	0.88	0.89	0.89	0.85	6168	2.60	0.50	5.0	15	60	o.r.			
2000	1SG7 503-2JA80-0C.2	2978	134	95.8	96.2	96.4	96.1	0.89	0.89	0.89	0.86	6419	2.45	0.55	4.7	20	142	o.r.			
2000	1SG7 504-2JA80-0A.2	2975	134	95.8	96.2	96.4	96.0	0.89	0.89	0.88	0.84	6420	2.85	0.70	5.6	15	66	o.r.			
2100	1SG7 504-2JA80-0C.2	2979	140	96.0	96.3	96.5	96.1	0.90	0.90	0.90	0.86	6735	2.65	0.70	5.1	21	142	o.r.			
2240	1SG7 507-2JA80-0A.2	2976	150	96.1	96.4	96.7	96.4	0.90	0.90	0.90	0.86	7189	2.85	0.70	5.8	18	78	o.r.			
2360	1SG7 507-2JA80-0C.2	2979	156	96.2	96.6	96.8	96.5	0.91	0.91	0.91	0.88	7568	2.65	0.70	5.3	24	156	o.r.			
2640	1SG7 508-2JA80-0C.2	2980	172	96.4	96.8	97.0	96.7	0.91	0.92	0.92	0.88	8462	2.75	0.75	5.7	27	164	o.r.			
2500	1SG7 508-2JA80-0A.2	2975	164	96.3	96.7	97.0	96.8	0.91	0.91	0.91	0.88	8026	2.75	0.80	5.7	20	84	o.r.			
2950	1SG7 562-2JA80-0CC2	2986	194	96.3	96.3	96.1	95.2	0.91	0.91	0.89	0.84	9437	2.95	0.80	6.0	41	230	o.r.			
3300	1SG7 563-2JA80-0CC2	2984	215	96.4	96.5	96.4	95.8	0.91	0.91	0.90	0.86	10565	2.55	0.65	5.9	44	260	o.r.			
3750	1SG7 564-2JA80-0CC2	2986	245	96.3	96.3	96.0	95.1	0.92	0.91	0.90	0.85	11996	2.95	0.75	6.0	47	265	o.r.			
4250	1SG7 567-2JA80-0CC2	2985	275	96.6	96.5	96.4	95.7	0.92	0.92	0.91	0.87	13600	2.75	0.70	5.7	52	295	o.r.			
4600	1SG7 568-2JA80-0CC2	2987	300	96.8	96.7	96.5	95.8	0.93	0.92	0.91	0.86	14709	3.10	0.75	6.4	58	320	o.r.			
5100	1SG8 633-2JA80-0CJ0	2981	345	96.1	96.5	96.3	95.5	0.86	0.89	0.90	0.89	16337	2.00	0.55	4.7	82	280	o.r.			
5600	1SG8 634-2JA80-0CJ2	2983	370	96.4	96.7	96.5	95.6	0.88	0.90	0.90	0.90	17927	2.15	0.60	5.1	90	290	o.r.			
6200	1SG8 637-2JA80-0CJ0	2984	405	96.6	96.9	96.6	95.8	0.89	0.91	0.91	0.90	19841	2.35	0.65	5.6	99	300	o.r.			
6850	1SG8 638-2JA80-0CJ0	2985	450	96.8	97.1	96.8	96.1	0.89	0.91	0.91	0.90	21914	2.40	0.60	5.7	107	310	o.r.			
7150	1SG8 712-2JA80-0CJ0	2988	475	96.4	96.5	96.2	95.1	0.87	0.90	0.89	0.88	22851	2.20	0.50	5.2	149	250	o.r.			
8050	1SG8 713-2JA80-0CJ0	2987	530	96.7	96.8	96.5	95.6	0.89	0.91	0.90	0.89	25735	2.20	0.60	5.2	160	220	o.r.			
8250	1SG8 714-2JA80-0CJ0	2988	540	96.8	96.9	96.6	95.7	0.88	0.91	0.91	0.89	26366	2.15	0.55	5.1	172	260	o.r.			
9050	1SG8 716-2JA80-0CJ0	2988	590	96.9	97.1	96.8	96.0	0.88	0.91	0.91	0.89	28923	2.15	0.50	5.1	184	270	o.r.			
9700	1SG8 717-2JA80-0CJ0	2988	630	97.0	97.2	96.9	96.1	0.89	0.91	0.91	0.89	31000	2.20	0.50	5.3	199	280	o.r.			
10000	1SG8 718-2JA80-0CJ2	2989	640	97.2	97.3	97.0	96.2	0.90	0.92	0.91	0.90	31948	2.45	0.60	5.9	217	310	o.r.			
4-pole: n_{sync} = 1500 rpm at 50 Hz																					
1220	1SG7 453-4JA80-0A.2	1485	84	94.9	95.5	95.6	95.3	0.88	0.88	0.86	0.79	7849	2.70	0.80	6.0	17	320	o.r.			
1260	1SG7 453-4JA80-0C.2	1488	86	95.1	95.7	95.9	95.5	0.87	0.88	0.86	0.80	8094	2.50	0.60	5.5	23	350	o.r.			
1300	1SG7 454-4JA80-0A.2	1485	88	95.1	95.7	95.8	95.4	0.89	0.89	0.86	0.79	8359	2.85	0.80	6.2	19	375	o.r.			
1400	1SG7 454-4JA80-0C.2	1488	95	95.2	95.8	96.0	95.7	0.88	0.89	0.87	0.82	8991	2.50	0.60	5.5	26	360	o.r.			

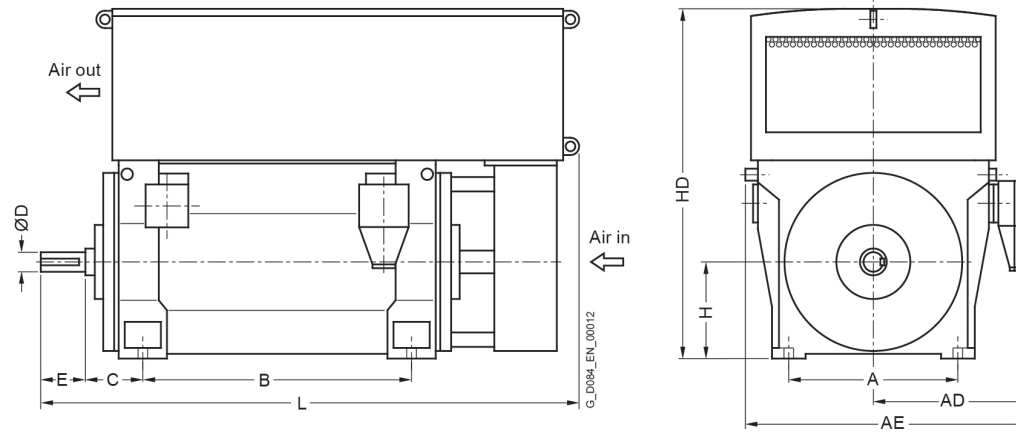
Innomotics HV M - 1SG. IC611 10000 V / 50 Hz B3 (IM 1001)																		
Rated power IEC	Article No.	Speed	Rated current I_R	Efficiency				Power factor				Torque T_R	Breakdown torque T_B/ T_R	Locked rotor torque T_{LR}/ T_R	Locked rotor current I_{LR}/ I_R	Inertia		
				5/4 load	4/4 load	3/4 load	2/4 load	5/4 load	4/4 load	3/4 load	2/4 load					motor	external	Startup max T/TR
kW		rpm	A	%	%	%	%	$\cos \varphi$	$\cos \varphi$	$\cos \varphi$	$\cos \varphi$	Nm	[-]	[-]	[-]	kgm ²	kgm ²	[-]
1650	1SG7 457-4JA80-0C.2	1488	112	95.7	96.2	96.4	96.1	0.89	0.89	0.88	0.83	10592	2.55	0.60	5.8	30	580	o.r.
1480	1SG7 457-4JA80-0A.2	1485	99	95.2	95.9	96.1	96.0	0.89	0.90	0.89	0.85	9526	2.60	0.80	6.2	22	425	o.r.
1800	1SG7 458-4JA80-0C.2	1489	122	95.9	96.3	96.4	96.1	0.89	0.89	0.87	0.81	11546	2.80	0.65	6.0	33	615	o.r.
1620	1SG7 458-4JA80-0A.2	1485	108	95.5	96.1	96.3	96.2	0.90	0.90	0.89	0.85	10422	2.70	0.85	6.5	24	460	o.r.
1940	1SG7 503-4JA80-0A.2	1487	130	95.6	96.1	96.5	96.2	0.88	0.89	0.88	0.85	12475	2.40	0.80	5.3	37	630	o.r.
1960	1SG7 503-4JA80-0C.2	1488	132	95.7	96.2	96.5	96.2	0.88	0.89	0.89	0.86	12592	2.35	0.60	4.9	45	605	o.r.
2140	1SG7 504-4JA80-0C.2	1491	146	96.0	96.4	96.5	95.9	0.88	0.88	0.86	0.79	13718	2.65	0.65	5.6	50	670	o.r.
2000	1SG7 504-4JA80-0A.2	1486	134	95.7	96.2	96.5	96.3	0.88	0.90	0.90	0.87	12860	2.45	0.90	5.5	40	625	o.r.
2330	1SG7 507-4JA80-0C.2	1490	158	96.1	96.5	96.7	96.2	0.87	0.88	0.87	0.82	14943	2.45	0.55	5.2	55	745	o.r.
2260	1SG7 507-4JA80-0A.2	1487	152	95.8	96.4	96.7	96.5	0.88	0.89	0.90	0.87	14533	2.40	0.85	5.5	46	765	o.r.
2530	1SG7 508-4JA80-0C.2	1491	170	96.3	96.7	96.8	96.4	0.89	0.89	0.89	0.84	16215	2.80	0.75	6.0	62	815	o.r.
2520	1SG7 508-4JA80-0A.2	1488	170	96.1	96.6	96.8	96.5	0.89	0.89	0.89	0.85	16185	2.70	1.00	6.2	50	800	o.r.
2800	1SG7 563-4JA80-0C.2	1492	188	96.5	96.7	97.0	96.6	0.88	0.89	0.87	0.83	17937	2.45	0.65	6.0	80	825	o.r.
3350	1SG7 564-4JA80-0C.2	1491	224	96.5	96.9	97.1	96.9	0.88	0.89	0.89	0.86	21478	2.25	0.60	5.4	90	945	o.r.
3600	1SG7 566-4JA80-0C.2	1492	238	96.7	97.0	97.2	96.9	0.89	0.90	0.89	0.86	23062	2.50	0.75	6.1	100	975	o.r.
4150	1SG7 567-4JA80-0C.2	1491	274	96.8	97.1	97.4	97.1	0.89	0.90	0.90	0.86	26587	2.50	0.75	6.1	110	995	o.r.
4500	1SG7 568-4JA80-0C.2	1492	300	97.0	97.2	97.4	97.1	0.90	0.89	0.89	0.84	28809	2.60	0.75	6.4	119	1015	o.r.
5050	1SG8 633-4JA80-0C.0	1492	340	96.5	96.8	96.7	96.1	0.88	0.89	0.87	0.82	32322	2.50	0.60	5.9	151	780	o.r.
5600	1SG8 634-4JA80-0C.2	1492	370	96.7	96.9	96.9	96.3	0.89	0.90	0.88	0.84	35842	2.50	0.60	6.0	166	1060	o.r.
6150	1SG8 637-4JA80-0C.0	1492	410	96.8	97.1	97.0	96.4	0.88	0.89	0.87	0.81	39362	2.60	0.55	6.0	181	950	o.r.
6750	1SG8 638-4JA80-0C.0	1492	450	97.0	97.2	97.1	96.6	0.88	0.89	0.87	0.81	43202	2.45	0.50	6.0	196	1060	o.r.
7050	1SG8 712-4JA80-0C.0	1491	465	96.7	97.1	97.2	96.8	0.88	0.90	0.90	0.88	45153	2.25	0.50	5.4	259	960	o.r.
7650	1SG8 713-4JA80-0C.0	1492	500	96.9	97.3	97.3	96.9	0.89	0.91	0.90	0.88	48963	2.40	0.50	5.7	284	1040	o.r.
8350	1SG8 714-4JA80-0C.0	1492	540	97.0	97.4	97.4	97.0	0.90	0.91	0.91	0.88	53443	2.50	0.55	6.0	312	1120	o.r.
9250	1SG8 717-4JA80-0C.0	1492	600	97.2	97.5	97.5	97.1	0.90	0.91	0.91	0.88	59203	2.55	0.55	6.0	345	1260	o.r.
9450	1SG8 718-4JA80-0C.0	1493	610	97.2	97.5	97.5	97.1	0.90	0.91	0.90	0.87	60443	2.60	0.50	6.0	362	1450	o.r.
6-pole: n_{sync} = 1000 rpm at 50 Hz																		
860	1SG7 452-6JA80-0A.2	990	61	94.3	95.1	95.3	95.1	0.85	0.85	0.81	0.72	8298	2.35	0.80	5.4	20	510	o.r.
880	1SG7 452-6JA80-0C.2	990	62	94.1	95.0	95.3	95.2	0.85	0.86	0.83	0.75	8492	2.35	0.65	5.0	27	645	o.r.
930	1SG7 453-6JA80-0A.0	990	66	94.4	95.1	95.4	95.2	0.85	0.85	0.82	0.73	8973	2.40	0.80	5.7	22	525	o.r.
950	1SG7 453-6JA80-0C.0	990	67	94.3	95.1	95.4	95.3	0.85	0.86	0.83	0.76	9169	2.40	0.65	5.2	30	650	o.r.
1010	1SG7 454-6JA80-0A.2	990	71	94.5	95.3	95.6	95.4	0.85	0.86	0.83	0.74	9744	2.50	0.85	5.7	24	600	o.r.
1020	1SG7 454-6JA80-0C.2	990	72	94.5	95.3	95.6	95.5	0.86	0.86	0.84	0.76	9843	2.50	0.70	5.4	33	770	o.r.
1120	1SG7 457-6JA80-0A.2	990	78	94.8	95.5	95.8	95.7	0.86	0.87	0.84	0.76	10806	2.50	0.85	5.5	28	670	o.r.
1120	1SG7 457-6JA80-0C.2	990	78	94.8	95.5	95.8	95.7	0.86	0.87	0.85	0.78	10807	2.50	0.70	5.5	36	880	o.r.
1250	1SG7 458-6JA80-0A.2	990	87	94.9	95.6	96.0	96.0	0.87	0.87	0.85	0.78	12062	2.50	0.85	5.5	31	690	o.r.
1250	1SG7 458-6JA80-0C.2	990	87	94.9	95.6	96.0	95.9	0.87	0.87	0.85	0.79	12063	2.50	0.70	5.5	41	895	o.r.

Innomotics HV M - 1SG. IC611 10000 V / 50 Hz B3 (IM 1001)																		
Rated power IEC	Article No.	Speed	Rated current I_R	Efficiency				Power factor				Torque T_R	Breakdown torque T_B/ T_R	Locked rotor torque T_{LR}/ T_R	Locked rotor current I_{LR}/ I_R	Inertia		
				5/4 load	4/4 load	3/4 load	2/4 load	5/4 load	4/4 load	3/4 load	2/4 load					motor	external	Startup max T/TR
kW		rpm	A	%	%	%	%	cos φ	cos φ	cos φ	cos φ	Nm	[-]	[-]	[-]	kgm ²	kgm ²	[-]
1550	1SG7 503-6JA80-0A.2	991	97	95.1	96.0	96.3	96.2	0.85	0.86	0.86	0.81	14955	2.15	0.80	4.6	46	1080	o.r.
1700	1SG7 504-6JA80-0A.2	991	110	95.4	96.1	96.4	96.4	0.86	0.86	0.85	0.80	16390	2.30	0.90	5.0	51	1280	o.r.
1950	1SG7 507-6JA80-0A.2	991	124	95.7	96.2	96.6	96.5	0.86	0.86	0.85	0.79	18794	2.40	0.95	5.2	58	1560	o.r.
2050	1SG7 508-6JA80-0A.2	991	138	95.8	96.3	96.6	96.4	0.87	0.86	0.85	0.78	19753	2.55	1.00	5.6	63	1540	o.r.
2240	1SG7 561-6JA80-0C.2	994	156	95.9	96.2	96.4	96.0	0.85	0.86	0.81	0.75	21531	2.10	0.65	6.0	97	2095	o.r.
2600	1SG7 562-6JA80-0C.2	993	182	95.7	96.3	96.2	95.8	0.85	0.86	0.83	0.78	25011	2.10	0.60	6.0	105	1890	o.r.
2650	1SG7 563-6JA80-0C.2	993	184	95.8	96.4	96.5	96.2	0.85	0.86	0.86	0.82	25514	2.00	0.60	5.5	113	1725	o.r.
3000	1SG7 564-6JA80-0C.2	994	210	96.2	96.5	96.5	96.2	0.86	0.86	0.83	0.77	28898	2.00	0.60	6.0	124	2065	o.r.
3300	1SG7 567-6JA80-0C.2	993	230	96.3	96.6	96.8	96.5	0.86	0.86	0.85	0.80	31736	2.00	0.60	6.0	137	3135	o.r.
3550	1SG7 568-6JA80-0C.2	994	245	96.5	96.8	96.9	96.7	0.86	0.86	0.84	0.78	34108	2.20	0.65	6.0	151	2955	o.r.
4000	1SG8 632-6JA80-0C.2	993	280	96.1	96.5	96.6	96.0	0.85	0.86	0.83	0.75	38466	2.35	0.60	5.4	193	2320	o.r.
4150	1SG8 633-6JA80-0C.0	993	285	96.3	96.6	96.7	96.1	0.85	0.87	0.83	0.75	39909	2.45	0.60	5.5	209	2630	o.r.
4500	1SG8 634-6JA80-0C.2	993	310	96.4	96.7	96.8	96.3	0.86	0.87	0.84	0.77	43275	2.45	0.60	5.5	227	2870	o.r.
4800	1SG8 637-6JA80-0C.0	993	330	96.5	96.8	96.9	96.3	0.86	0.87	0.84	0.77	46160	2.50	0.60	5.5	247	3230	o.r.
5000	1SG8 638-6JA80-0C.2	994	340	96.6	96.9	96.9	96.3	0.86	0.87	0.83	0.74	48035	2.55	0.60	5.5	264	3730	o.r.
5700	1SG8 712-6JA80-0C.0	994	390	96.7	97.1	97.2	96.7	0.86	0.87	0.84	0.77	54760	2.40	0.55	5.5	331	2880	o.r.
6300	1SG8 713-6JA80-0C.2	994	430	96.9	97.2	97.3	96.9	0.86	0.87	0.85	0.79	60524	2.45	0.60	5.5	374	3260	o.r.
6900	1SG8 714-6JA80-0C.0	994	465	97.0	97.3	97.4	97.0	0.87	0.88	0.86	0.79	66288	2.50	0.55	5.5	423	3810	o.r.
7450	1SG8 717-6JA80-0C.0	994	500	97.0	97.4	97.5	97.2	0.87	0.88	0.87	0.82	71572	2.30	0.50	5.5	476	4530	o.r.
8150	1SG8 718-6JA80-0C.0	995	550	97.2	97.5	97.5	97.2	0.87	0.88	0.85	0.79	78218	2.45	0.50	5.5	520	5150	o.r.
8-pole: n_{sync} = 750 rpm at 50 Hz																		
580	1SG7 451-8JA80-0A.0	741	44	93.4	94.4	94.8	94.6	0.81	0.81	0.75	0.64	7472	2.05	0.70	5.3	23	600	o.r.
630	1SG7 452-8JA80-0A.0	741	47	93.4	94.5	94.9	94.8	0.82	0.82	0.77	0.66	8115	2.10	0.70	5.5	25	610	o.r.
720	1SG7 453-8JA80-0A.2	742	54	94.1	95.0	95.3	95.1	0.81	0.81	0.75	0.64	9272	2.25	0.75	5.5	28	940	o.r.
820	1SG7 454-8JA80-0A.2	743	63	94.6	95.3	95.4	95.2	0.81	0.79	0.72	0.58	10545	2.45	0.85	5.4	31	1300	o.r.
900	1SG7 457-8JA80-0A.2	743	68	94.7	95.4	95.6	95.4	0.81	0.80	0.73	0.60	11574	2.50	0.85	5.5	35	1400	o.r.
1000	1SG7 458-8JA80-0A.2	743	76	94.8	95.5	95.7	95.4	0.82	0.80	0.74	0.61	12861	2.55	0.85	5.5	39	1430	o.r.
1120	1SG7 502-8JA80-0C.2	743	81	94.9	95.7	96.1	96.1	0.82	0.83	0.81	0.73	14406	2.15	0.55	4.1	59	2040	o.r.
1220	1SG7 503-8JA80-0A.2	743	89	95.1	95.8	96.2	96.2	0.82	0.83	0.80	0.73	15693	2.10	0.80	4.3	51	2290	o.r.
1250	1SG7 503-8JA80-0C.2	742	91	95.0	95.8	96.2	96.3	0.82	0.83	0.82	0.75	16095	2.10	0.55	4.0	65	2130	o.r.
1280	1SG7 504-8JA80-0A.2	743	93	95.3	95.9	96.3	96.3	0.83	0.83	0.80	0.73	16457	2.20	0.85	4.5	56	2100	o.r.
1300	1SG7 504-8JA80-0C.2	743	93	95.2	95.9	96.3	96.3	0.84	0.84	0.81	0.74	16722	2.25	0.60	4.3	72	2330	o.r.
1400	1SG7 507-8JA80-0A.2	744	102	95.4	96.1	96.4	96.4	0.83	0.83	0.80	0.74	17995	2.25	0.85	4.7	63	2370	o.r.
1480	1SG7 507-8JA80-0C.2	743	106	95.4	96.0	96.4	96.5	0.83	0.84	0.82	0.75	19039	2.20	0.65	4.3	80	2970	o.r.
1600	1SG7 508-8JA80-0A.2	744	116	95.6	96.2	96.5	96.4	0.82	0.83	0.81	0.73	20561	2.30	0.90	4.7	69	2680	o.r.
1620	1SG7 508-8JA80-0C.2	743	116	95.7	96.2	96.5	96.5	0.83	0.84	0.81	0.74	20824	2.35	0.65	4.5	88	3340	o.r.
1880	1SG7 563-8JA80-0C.2	744	136	95.5	96.1	96.4	96.2	0.83	0.83	0.81	0.75	24144	2.10	0.60	4.6	124	3020	o.r.

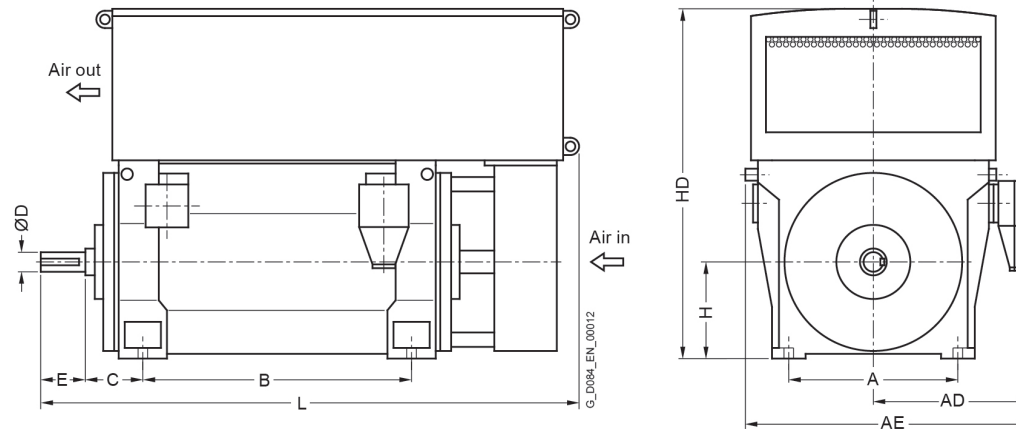
Innomotics HV M - 1SG. IC611 10000 V / 50 Hz B3 (IM 1001)																		
Rated power IEC	Article No.	Speed	Rated current I_R	Efficiency				Power factor				Torque T_R	Breakdown torque T_B / T_R	Locked rotor torque T_{LR} / T_R	Locked rotor current I_{LR} / I_R	Inertia		
				5/4 load	4/4 load	3/4 load	2/4 load	5/4 load	4/4 load	3/4 load	2/4 load					motor	external	Startup max T/TR
kW		rpm	A	%	%	%	%	$\cos \varphi$	$\cos \varphi$	$\cos \varphi$	$\cos \varphi$	Nm	[-]	[-]	[-]	kgm ²	kgm ²	[-]
2080	1SG7 564-8JA80-0C.2	744	150	95.8	96.3	96.5	96.2	0.83	0.83	0.81	0.74	26711	2.20	0.65	4.9	137	3650	o.r.
2300	1SG7 567-8JA80-0C.2	744	164	95.9	96.4	96.7	96.5	0.83	0.84	0.82	0.76	29553	2.10	0.60	4.7	150	4935	o.r.
2550	1SG7 568-8JA80-0C.2	744	182	96.1	96.6	96.8	96.6	0.83	0.84	0.82	0.75	32757	2.20	0.60	4.8	165	6225	o.r.
2800	1SG8 633-8JA80-0C.2	744	198	95.4	95.9	95.9	95.4	0.85	0.85	0.81	0.72	35938	2.15	0.45	4.7	216	2980	o.r.
3250	1SG8 634-8JA80-0C.0	744	230	95.7	96.2	96.2	95.7	0.85	0.85	0.81	0.73	41714	2.20	0.50	4.8	251	4820	o.r.
3600	1SG8 637-8JA80-0C.0	745	255	96.0	96.4	96.3	95.7	0.85	0.84	0.79	0.68	46144	2.40	0.50	5.1	291	5730	o.r.
3800	1SG8 638-8JA80-0C.0	745	270	96.2	96.5	96.3	95.7	0.85	0.84	0.78	0.67	48708	2.50	0.55	5.5	324	6970	o.r.
4250	1SG8 713-8JA80-0C.0	746	275	96.3	96.7	96.7	96.3	0.87	0.87	0.83	0.74	54403	2.40	0.55	5.2	471	4400	o.r.
4800	1SG8 714-8JA80-0C.0	746	310	96.5	96.8	96.8	96.4	0.86	0.86	0.82	0.74	61443	2.40	0.50	5.1	536	4580	o.r.
5250	1SG8 717-8JA80-0C.0	746	340	96.6	97.0	97.0	96.7	0.87	0.88	0.84	0.77	67203	2.40	0.55	5.2	616	5990	o.r.
5500	1SG8 718-8JA80-0C.0	746	370	96.7	97.0	97.1	96.7	0.88	0.88	0.84	0.77	70404	2.50	0.60	5.5	680	6130	o.r.



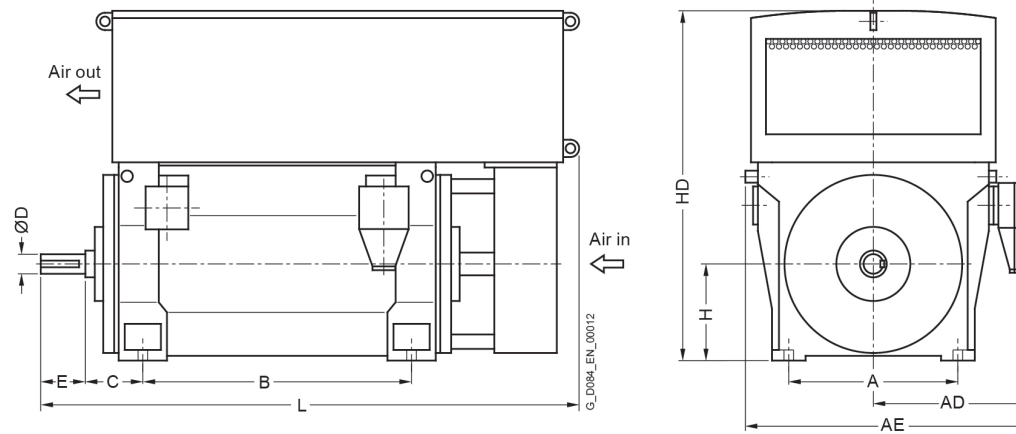
Motor type	Weight	Dimensions										
		A	AD	AE	B	C	D	E	H	HD	L	ML
	kg	mm	mm	mm	mm	mm	mm	mm	mm	mm	mm	mm
Innomotics HV M - 1SG. IC611 10000 V / 50 Hz B3 (IM 1001) - Dimension drawings												
2-pole												
1SG7 453-2JA80-0AA2	4650	850	1140	1760	1180	250	95	130	450	1900	2650	200
1SG7 453-2JA80-0AC2	4550	850	1140	1760	1180	475	95	130	450	1900	2880	200
1SG7 453-2JA80-0CA2	4800	850	1140	1760	1180	250	95	130	450	1900	2650	200
1SG7 453-2JA80-0CC2	4700	850	1140	1760	1180	475	95	130	450	1900	2880	200
1SG7 454-2JA80-0CA2	4900	850	1140	1760	1180	250	95	130	450	1900	2650	200
1SG7 454-2JA80-0CC2	4800	850	1140	1760	1180	475	95	130	450	1900	2880	200
1SG7 454-2JA80-0AA2	4750	850	1140	1760	1180	250	95	130	450	1900	2650	200
1SG7 454-2JA80-0AC2	4650	850	1140	1760	1180	475	95	130	450	1900	2880	200
1SG7 457-2JA80-0AA2	5200	850	1140	1760	1400	250	95	130	450	1900	2860	200
1SG7 457-2JA80-0AC2	5100	850	1140	1760	1400	475	95	130	450	1900	3090	200
1SG7 457-2JA80-0CA2	5350	850	1140	1760	1400	250	95	130	450	1900	2860	200
1SG7 457-2JA80-0CC2	5250	850	1140	1760	1400	475	95	130	450	1900	3090	200
1SG7 458-2JA80-0AA2	5400	850	1140	1760	1400	250	95	130	450	1900	2860	200
1SG7 458-2JA80-0AC2	5300	850	1140	1760	1400	475	95	130	450	1900	3090	200
1SG7 458-2JA80-0CA2	5550	850	1140	1760	1400	250	95	130	450	1900	2860	200
1SG7 458-2JA80-0CC2	5450	850	1140	1760	1400	475	95	130	450	1900	3090	200
1SG7 503-2JA80-0AA2	6400	950	1220	1920	1320	250	110	165	500	2210	2920	250
1SG7 503-2JA80-0AC2	6300	950	1220	1920	1320	530	120	165	500	2210	3200	250
1SG7 503-2JA80-0CA2	6550	950	1220	1920	1320	250	110	165	500	2210	2920	250
1SG7 503-2JA80-0CC2	6450	950	1220	1920	1320	530	120	165	500	2210	3200	250
1SG7 504-2JA80-0AA2	6450	950	1220	1920	1320	250	110	165	500	2210	2920	250
1SG7 504-2JA80-0AC2	6400	950	1220	1920	1320	530	120	165	500	2210	3200	250



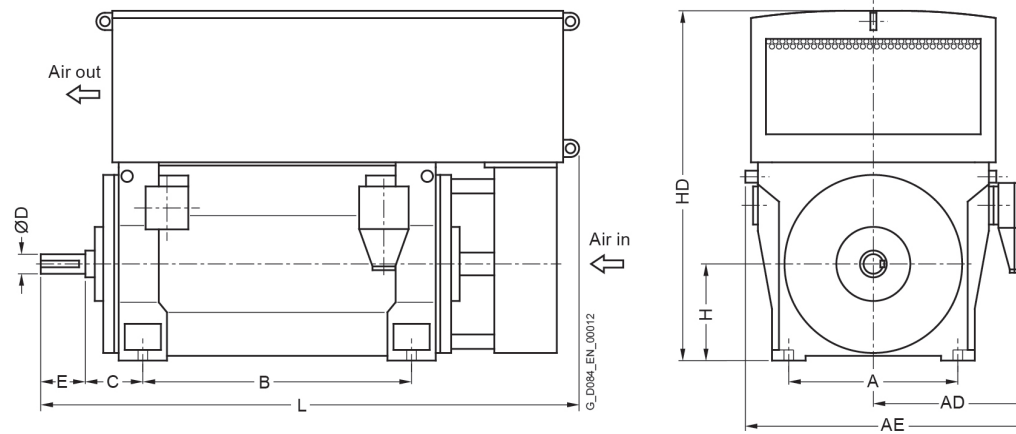
Motor type	Weight	Dimensions											
		A	AD	AE	B	C	D	E	H	HD	L	ML	
	kg	mm	mm	mm	mm	mm	mm	mm	mm	mm	mm	mm	mm
Innomotics HV M - 1SG. IC611 10000 V / 50 Hz B3 (IM 1001) - Dimension drawings													
1SG7 504-2JA80-0CA2	6600	950	1220	1920	1320	250	110	165	500	2210	2920	250	
1SG7 504-2JA80-0CC2	6550	950	1220	1920	1320	530	120	165	500	2210	3200	250	
1SG7 507-2JA80-0AA2	7150	950	1220	1920	1500	250	110	165	500	2210	3130	250	
1SG7 507-2JA80-0AC2	7100	950	1220	1920	1500	530	120	165	500	2210	3410	250	
1SG7 507-2JA80-0CA2	7300	950	1220	1920	1500	250	110	165	500	2210	3130	250	
1SG7 507-2JA80-0CC2	7250	950	1220	1920	1500	530	120	165	500	2210	3410	250	
1SG7 508-2JA80-0CA2	7700	950	1220	1920	1500	250	110	165	500	2210	3130	250	
1SG7 508-2JA80-0CC2	7600	950	1220	1920	1500	530	120	165	500	2210	3410	250	
1SG7 508-2JA80-0AA2	7550	950	1220	1920	1500	250	110	165	500	2210	3130	250	
1SG7 508-2JA80-0AC2	7450	950	1220	1920	1500	530	120	165	500	2210	3410	250	
1SG7 562-2JA80-0CC2	8200	1060	1290	2060	1400	600	150	200	560	2330	3450	300	
1SG7 563-2JA80-0CC2	8450	1060	1290	2060	1400	600	150	200	560	2330	3450	300	
1SG7 564-2JA80-0CC2	8700	1060	1290	2060	1400	600	150	200	560	2330	3450	300	
1SG7 567-2JA80-0CC2	9650	1060	1290	2060	1600	600	150	200	560	2330	3680	300	
1SG7 568-2JA80-0CC2	10200	1060	1290	2060	1600	600	150	200	560	2330	3680	300	
1SG8 633-2JA80-0CJ0	10650	1320	1520	2520	1600	560	160	240	630	2710	3680	350	
1SG8 634-2JA80-0CJ2	11150	1320	1520	2520	1600	560	160	240	630	2710	3680	350	
1SG8 637-2JA80-0CJ0	12050	1320	1520	2520	1800	560	160	240	630	2710	3880	350	
1SG8 638-2JA80-0CJ0	12650	1320	1520	2520	1800	560	160	240	630	2710	3880	350	
1SG8 712-2JA80-0CJ0	14450	1500	1620	2720	2000	560	180	240	710	3090	4400	400	
1SG8 713-2JA80-0CJ0	15150	1500	1620	2720	2000	560	180	240	710	3090	4400	400	
1SG8 714-2JA80-0CJ0	15850	1500	1620	2720	2000	560	180	240	710	3090	4400	400	
1SG8 716-2JA80-0CJ0	17000	1500	1620	2720	2240	560	180	240	710	3090	4640	400	



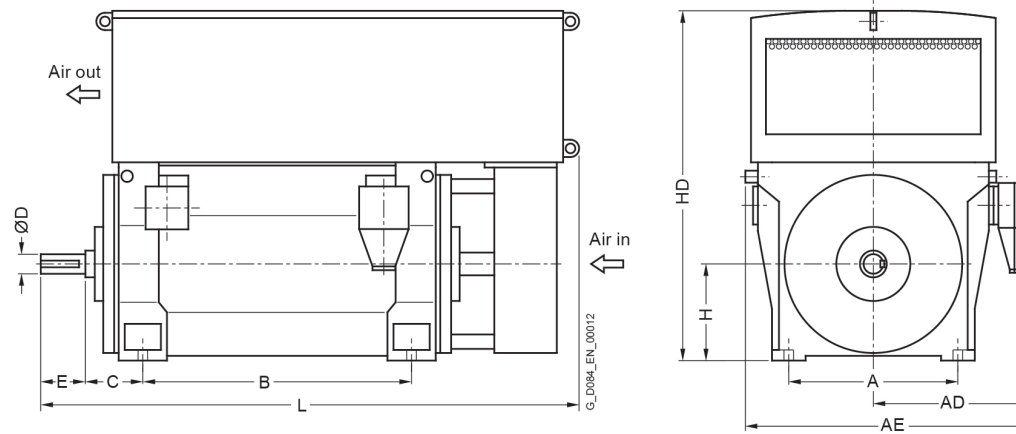
Motor type	Weight	Dimensions										
		A	AD	AE	B	C	D	E	H	HD	L	ML
	kg	mm	mm	mm	mm	mm	mm	mm	mm	mm	mm	mm
Innomotics HV M - 1SG. IC611 10000 V / 50 Hz B3 (IM 1001) - Dimension drawings												
1SG8 717-2JA80-0CJ0	17750	1500	1620	2720	2240	560	180	240	710	3090	4640	400
1SG8 718-2JA80-0CJ2	18700	1500	1620	2720	2240	560	180	240	710	3090	4640	400
4-pole												
1SG7 453-4JA80-0AA2	4650	850	1140	1760	1180	250	130	200	450	1900	2720	200
1SG7 453-4JA80-0AC2	4650	850	1140	1760	1180	500	130	200	450	1900	2970	200
1SG7 453-4JA80-0CA2	4800	850	1140	1760	1180	250	130	200	450	1900	2720	200
1SG7 453-4JA80-0CC2	4800	850	1140	1760	1180	500	130	200	450	1900	2970	200
1SG7 454-4JA80-0AA2	4800	850	1140	1760	1180	250	130	200	450	1900	2720	200
1SG7 454-4JA80-0AC2	4800	850	1140	1760	1180	500	130	200	450	1900	2970	200
1SG7 454-4JA80-0CA2	4950	850	1140	1760	1180	250	130	200	450	1900	2720	200
1SG7 454-4JA80-0CC2	5000	850	1140	1760	1180	500	130	200	450	1900	2970	200
1SG7 457-4JA80-0CA2	5650	850	1140	1760	1400	250	130	200	450	1900	2930	200
1SG7 457-4JA80-0CC2	5650	850	1140	1760	1400	500	130	200	450	1900	3180	200
1SG7 457-4JA80-0AA2	5400	850	1140	1760	1400	250	130	200	450	1900	2930	200
1SG7 457-4JA80-0AC2	5400	850	1140	1760	1400	500	130	200	450	1900	3180	200
1SG7 458-4JA80-0CA2	5850	850	1140	1760	1400	250	130	200	450	1900	2930	200
1SG7 458-4JA80-0CC2	5850	850	1140	1760	1400	500	130	200	450	1900	3180	200
1SG7 458-4JA80-0AA2	5650	850	1140	1760	1400	250	130	200	450	1900	2930	200
1SG7 458-4JA80-0AC2	5650	850	1140	1760	1400	500	130	200	450	1900	3180	200
1SG7 503-4JA80-0AA2	6650	950	1220	1920	1320	315	160	240	500	2210	3060	250
1SG7 503-4JA80-0AC2	6700	950	1220	1920	1320	560	170	240	500	2210	3300	250
1SG7 503-4JA80-0CA2	6800	950	1220	1920	1320	315	160	240	500	2210	3060	250
1SG7 503-4JA80-0CC2	6850	950	1220	1920	1320	560	170	240	500	2210	3300	250



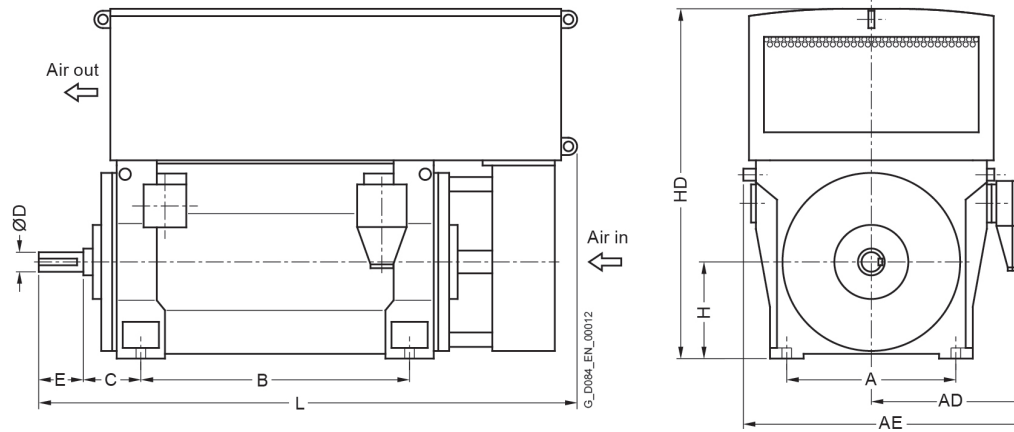
Motor type	Weight	Dimensions											
		A	AD	AE	B	C	D	E	H	HD	L	ML	
	kg	mm	mm	mm	mm	mm	mm	mm	mm	mm	mm	mm	mm
Innomotics HV M - 1SG. IC611 10000 V / 50 Hz B3 (IM 1001) - Dimension drawings													
1SG7 504-4JA80-0CA2	7050	950	1220	1920	1320	315	160	240	500	2210	3060	250	
1SG7 504-4JA80-0CC2	7100	950	1220	1920	1320	560	170	240	500	2210	3300	250	
1SG7 504-4JA80-0AA2	6900	950	1220	1920	1320	315	160	240	500	2210	3060	250	
1SG7 504-4JA80-0AC2	6950	950	1220	1920	1320	560	170	240	500	2210	3300	250	
1SG7 507-4JA80-0CA2	7750	950	1220	1920	1500	315	160	240	500	2210	3270	250	
1SG7 507-4JA80-0CC2	7800	950	1220	1920	1500	560	170	240	500	2210	3510	250	
1SG7 507-4JA80-0AA2	7550	950	1220	1920	1500	315	160	240	500	2210	3270	250	
1SG7 507-4JA80-0AC2	7600	950	1220	1920	1500	560	170	240	500	2210	3510	250	
1SG7 508-4JA80-0CA2	8100	950	1220	1920	1500	315	160	240	500	2210	3270	250	
1SG7 508-4JA80-0CC2	8150	950	1220	1920	1500	560	170	240	500	2210	3510	250	
1SG7 508-4JA80-0AA2	7900	950	1220	1920	1500	315	160	240	500	2210	3270	250	
1SG7 508-4JA80-0AC2	7950	950	1220	1920	1500	560	170	240	500	2210	3510	250	
1SG7 563-4JA80-0CA2	8500	1060	1290	2060	1400	335	190	280	560	2330	3260	300	
1SG7 563-4JA80-0CC2	8500	1060	1290	2060	1400	600	190	280	560	2330	3530	300	
1SG7 564-4JA80-0CA2	8950	1060	1290	2060	1400	335	190	280	560	2330	3260	300	
1SG7 564-4JA80-0CC2	9000	1060	1290	2060	1400	600	190	280	560	2330	3530	300	
1SG7 566-4JA80-0CA2	9800	1060	1290	2060	1600	335	190	280	560	2330	3490	300	
1SG7 566-4JA80-0CC2	9800	1060	1290	2060	1600	600	190	280	560	2330	3760	300	
1SG7 567-4JA80-0CA2	10300	1060	1290	2060	1600	335	190	280	560	2330	3490	300	
1SG7 567-4JA80-0CC2	10300	1060	1290	2060	1600	600	190	280	560	2330	3760	300	
1SG7 568-4JA80-0CA2	10700	1060	1290	2060	1600	335	190	280	560	2330	3490	300	
1SG7 568-4JA80-0CC2	10750	1060	1290	2060	1600	600	190	280	560	2330	3760	300	
1SG8 633-4JA80-0CG0	11300	1320	1520	2520	1600	375	200	280	630	2710	3530	350	



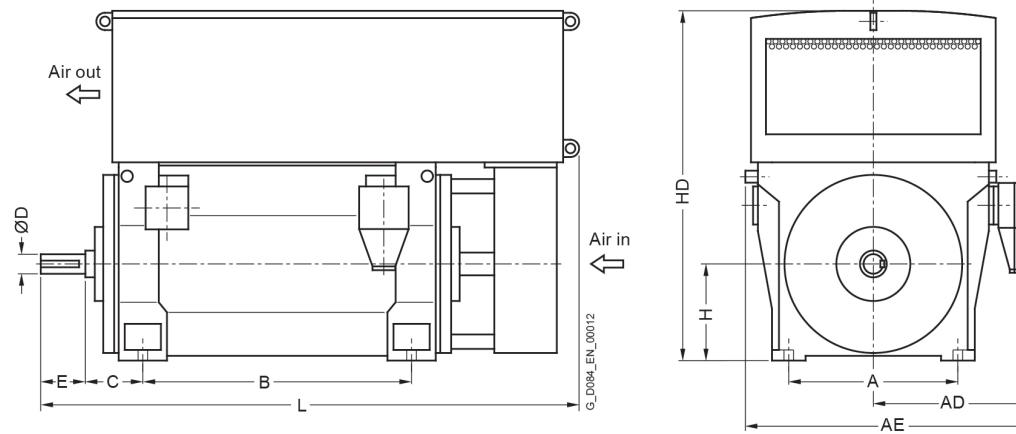
Motor type	Weight	Dimensions										
		A	AD	AE	B	C	D	E	H	HD	L	ML
	kg	mm	mm	mm	mm	mm	mm	mm	mm	mm	mm	mm
Innomotics HV M - 1SG. IC611 10000 V / 50 Hz B3 (IM 1001) - Dimension drawings												
1SG8 633-4JA80-0CJ0	11400	1320	1520	2520	1600	630	200	280	630	2710	3790	350
1SG8 634-4JA80-0CG2	11850	1320	1520	2520	1600	375	200	280	630	2710	3530	350
1SG8 634-4JA80-0CJ2	12000	1320	1520	2520	1600	630	200	280	630	2710	3790	350
1SG8 637-4JA80-0CG0	12750	1320	1520	2520	1800	375	200	280	630	2710	3730	350
1SG8 637-4JA80-0CJ0	12900	1320	1520	2520	1800	630	200	280	630	2710	3990	350
1SG8 638-4JA80-0CG0	13350	1320	1520	2520	1800	375	200	280	630	2710	3730	350
1SG8 638-4JA80-0CJ0	13500	1320	1520	2520	1800	630	200	280	630	2710	3990	350
1SG8 712-4JA80-0CG0	15450	1500	1620	2720	2000	375	220	280	710	3090	3980	400
1SG8 712-4JA80-0CJ0	15550	1500	1620	2720	2000	630	220	280	710	3090	4230	400
1SG8 713-4JA80-0CG0	16150	1500	1620	2720	2000	375	220	280	710	3090	3980	400
1SG8 713-4JA80-0CJ0	16250	1500	1620	2720	2000	630	220	280	710	3090	4230	400
1SG8 714-4JA80-0CG0	16900	1500	1620	2720	2000	375	220	280	710	3090	3980	400
1SG8 714-4JA80-0CJ0	17000	1500	1620	2720	2000	630	220	280	710	3090	4230	400
1SG8 717-4JA80-0CG0	18250	1500	1620	2720	2240	375	220	280	710	3090	4220	400
1SG8 717-4JA80-0CJ0	18400	1500	1620	2720	2240	630	220	280	710	3090	4470	400
1SG8 718-4JA80-0CG0	18750	1500	1620	2720	2240	375	220	280	710	3090	4220	400
1SG8 718-4JA80-0CJ0	18850	1500	1620	2720	2240	630	220	280	710	3090	4470	400
6-pole												
1SG7 452-6JA80-0AA2	4500	850	1140	1760	1180	250	130	200	450	1900	2720	200
1SG7 452-6JA80-0AC2	4500	850	1140	1760	1180	500	130	200	450	1900	2970	200
1SG7 452-6JA80-0CA2	4650	850	1140	1760	1180	250	130	200	450	1900	2720	200
1SG7 452-6JA80-0CC2	4650	850	1140	1760	1180	500	130	200	450	1900	2970	200
1SG7 453-6JA80-0AA0	4650	850	1140	1760	1180	250	130	200	450	1900	2720	200



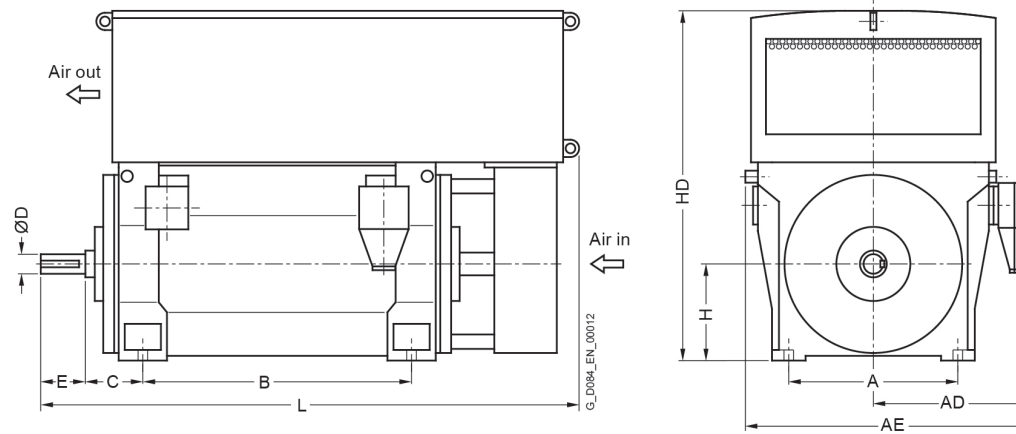
Motor type	Weight	Dimensions										
		A	AD	AE	B	C	D	E	H	HD	L	ML
	kg	mm	mm	mm	mm	mm	mm	mm	mm	mm	mm	mm
Innomotics HV M - 1SG. IC611 10000 V / 50 Hz B3 (IM 1001) - Dimension drawings												
1SG7 453-6JA80-0AC0	4650	850	1140	1760	1180	500	130	200	450	1900	2970	200
1SG7 453-6JA80-0CA0	4800	850	1140	1760	1180	250	130	200	450	1900	2720	200
1SG7 453-6JA80-0CC0	4800	850	1140	1760	1180	500	130	200	450	1900	2970	200
1SG7 454-6JA80-0AA2	4800	850	1140	1760	1180	250	130	200	450	1900	2720	200
1SG7 454-6JA80-0AC2	4850	850	1140	1760	1180	500	130	200	450	1900	2970	200
1SG7 454-6JA80-0CA2	5000	850	1140	1760	1180	250	130	200	450	1900	2720	200
1SG7 454-6JA80-0CC2	5000	850	1140	1760	1180	500	130	200	450	1900	2970	200
1SG7 457-6JA80-0AA2	5300	850	1140	1760	1400	250	130	200	450	1900	2930	200
1SG7 457-6JA80-0AC2	5300	850	1140	1760	1400	500	130	200	450	1900	3180	200
1SG7 457-6JA80-0CA2	5500	850	1140	1760	1400	250	130	200	450	1900	2930	200
1SG7 457-6JA80-0CC2	5500	850	1140	1760	1400	500	130	200	450	1900	3180	200
1SG7 458-6JA80-0AA2	5600	850	1140	1760	1400	250	130	200	450	1900	2930	200
1SG7 458-6JA80-0AC2	5600	850	1140	1760	1400	500	130	200	450	1900	3180	200
1SG7 458-6JA80-0CA2	5800	850	1140	1760	1400	250	130	200	450	1900	2930	200
1SG7 458-6JA80-0CC2	5800	850	1140	1760	1400	500	130	200	450	1900	3180	200
1SG7 503-6JA80-0AA2	6800	950	1220	1920	1320	315	160	240	500	2210	3060	250
1SG7 503-6JA80-0AC2	6800	950	1220	1920	1320	560	170	240	500	2210	3300	250
1SG7 504-6JA80-0AA2	7050	950	1220	1920	1320	315	160	240	500	2210	3060	250
1SG7 504-6JA80-0AC2	7050	950	1220	1920	1320	560	170	240	500	2210	3300	250
1SG7 507-6JA80-0AA2	7750	950	1220	1920	1500	315	160	240	500	2210	3270	250
1SG7 507-6JA80-0AC2	7750	950	1220	1920	1500	560	170	240	500	2210	3510	250
1SG7 508-6JA80-0AA2	8050	950	1220	1920	1500	315	160	240	500	2210	3270	250
1SG7 508-6JA80-0AC2	8050	950	1220	1920	1500	560	170	240	500	2210	3510	250



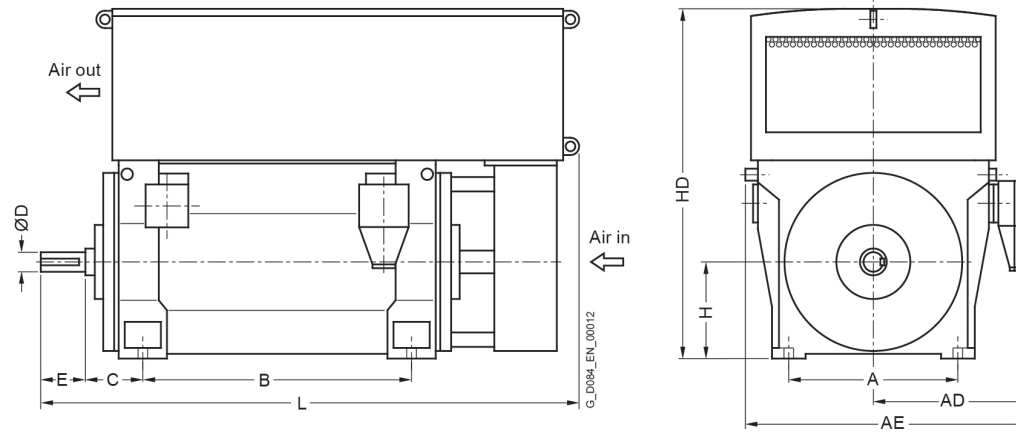
Motor type	Weight	Dimensions												
		A	AD	AE	B	C	D	E	H	HD	L	ML		
	kg	mm	mm	mm	mm	mm	mm	mm	mm	mm	mm	mm	mm	
Innomotics HV M - 1SG. IC611 10000 V / 50 Hz B3 (IM 1001) - Dimension drawings														
1SG7 561-6JA80-0CA2	8400	1060	1290	2060	1400	335	190	280	560	2330	3260	300		
1SG7 561-6JA80-0CC2	8450	1060	1290	2060	1400	600	190	280	560	2330	3530	300		
1SG7 562-6JA80-0CA2	8700	1060	1290	2060	1400	335	190	280	560	2330	3260	300		
1SG7 562-6JA80-0CC2	8750	1060	1290	2060	1400	600	190	280	560	2330	3530	300		
1SG7 563-6JA80-0CA2	9000	1060	1290	2060	1400	335	190	280	560	2330	3260	300		
1SG7 563-6JA80-0CC2	9050	1060	1290	2060	1400	600	190	280	560	2330	3530	300		
1SG7 564-6JA80-0CA2	9400	1060	1290	2060	1400	335	190	280	560	2330	3260	300		
1SG7 564-6JA80-0CC2	9450	1060	1290	2060	1400	600	190	280	560	2330	3530	300		
1SG7 567-6JA80-0CA2	10300	1060	1290	2060	1600	335	190	280	560	2330	3490	300		
1SG7 567-6JA80-0CC2	10350	1060	1290	2060	1600	600	190	280	560	2330	3760	300		
1SG7 568-6JA80-0CA2	10850	1060	1290	2060	1600	335	190	280	560	2330	3490	300		
1SG7 568-6JA80-0CC2	10900	1060	1290	2060	1600	600	190	280	560	2330	3760	300		
1SG8 632-6JA80-0CG2	11450	1320	1520	2520	1600	375	200	280	630	2710	3530	350		
1SG8 632-6JA80-0CJ2	11500	1320	1520	2520	1600	630	200	280	630	2710	3790	350		
1SG8 633-6JA80-0CG0	11850	1320	1520	2520	1600	375	200	280	630	2710	3530	350		
1SG8 633-6JA80-0CJ0	11900	1320	1520	2520	1600	630	200	280	630	2710	3790	350		
1SG8 634-6JA80-0CG2	12400	1320	1520	2520	1600	375	200	280	630	2710	3530	350		
1SG8 634-6JA80-0CJ2	12450	1320	1520	2520	1600	630	200	280	630	2710	3790	350		
1SG8 637-6JA80-0CC0	13200	1320	1520	2520	1800	375	200	280	630	2710	3730	350		
1SG8 637-6JA80-0CJ0	13250	1320	1520	2520	1800	630	200	280	630	2710	3990	350		
1SG8 638-6JA80-0CG2	13750	1320	1520	2520	1800	375	200	280	630	2710	3730	350		
1SG8 638-6JA80-0CJ2	13800	1320	1520	2520	1800	630	200	280	630	2710	3990	350		
1SG8 712-6JA80-0CG0	15450	1500	1620	2720	2000	375	220	280	710	3090	3980	400		



Motor type	Weight	Dimensions												
		A	AD	AE	B	C	D	E	H	HD	L	ML		
	kg	mm	mm	mm	mm	mm	mm	mm	mm	mm	mm	mm	mm	
Innomotics HV M - 1SG. IC611 10000 V / 50 Hz B3 (IM 1001) - Dimension drawings														
1SG8 712-6JA80-0CJ0	15550	1500	1620	2720	2000	630	220	280	710	3090	4230	400		
1SG8 713-6JA80-0CG2	16400	1500	1620	2720	2000	375	220	280	710	3090	3980	400		
1SG8 713-6JA80-0CJ2	16500	1500	1620	2720	2000	630	220	280	710	3090	4230	400		
1SG8 714-6JA80-0CG0	17450	1500	1620	2720	2000	375	220	280	710	3090	3980	400		
1SG8 714-6JA80-0CJ0	17550	1500	1620	2720	2000	630	220	280	710	3090	4230	400		
1SG8 717-6JA80-0CG0	18950	1500	1620	2720	2240	375	220	280	710	3090	4220	400		
1SG8 717-6JA80-0CJ0	19100	1500	1620	2720	2240	630	220	280	710	3090	4470	400		
1SG8 718-6JA80-0CG0	20000	1500	1620	2720	2240	375	220	280	710	3090	4220	400		
1SG8 718-6JA80-0CJ0	20150	1500	1620	2720	2240	630	220	280	710	3090	4470	400		
8-pole														
1SG7 451-8JA80-0AA0	4500	850	1140	1760	1180	250	130	200	450	1900	2720	200		
1SG7 451-8JA80-0AC0	4500	850	1140	1760	1180	500	130	200	450	1900	2970	200		
1SG7 452-8JA80-0AA0	4600	850	1140	1760	1180	250	130	200	450	1900	2720	200		
1SG7 452-8JA80-0AC0	4650	850	1140	1760	1180	500	130	200	450	1900	2970	200		
1SG7 453-8JA80-0AA2	4850	850	1140	1760	1180	250	130	200	450	1900	2720	200		
1SG7 453-8JA80-0AC2	4850	850	1140	1760	1180	500	130	200	450	1900	2970	200		
1SG7 454-8JA80-0AA2	5100	850	1140	1760	1180	250	130	200	450	1900	2720	200		
1SG7 454-8JA80-0AC2	5100	850	1140	1760	1180	500	130	200	450	1900	2970	200		
1SG7 457-8JA80-0AA2	5600	850	1140	1760	1400	250	130	200	450	1900	2930	200		
1SG7 457-8JA80-0AC2	5600	850	1140	1760	1400	500	130	200	450	1900	3180	200		
1SG7 458-8JA80-0AA2	5850	850	1140	1760	1400	250	130	200	450	1900	2930	200		
1SG7 458-8JA80-0AC2	5850	850	1140	1760	1400	500	130	200	450	1900	3180	200		
1SG7 502-8JA80-0CA2	6750	950	1220	1920	1320	315	160	240	500	2210	3060	250		



Motor type	Weight	Dimensions												
		A	AD	AE	B	C	D	E	H	HD	L	ML		
	kg	mm	mm	mm	mm	mm	mm	mm	mm	mm	mm	mm	mm	
Innomotics HV M - 1SG. IC611 10000 V / 50 Hz B3 (IM 1001) - Dimension drawings														
1SG7 502-8JA80-0CC2	6750	950	1220	1920	1320	560	170	240	500	2210	3300	250		
1SG7 503-8JA80-0AA2	6750	950	1220	1920	1320	315	160	240	500	2210	3060	250		
1SG7 503-8JA80-0AC2	6800	950	1220	1920	1320	560	170	240	500	2210	3300	250		
1SG7 503-8JA80-0CA2	7000	950	1220	1920	1320	315	160	240	500	2210	3060	250		
1SG7 503-8JA80-0CC2	7000	950	1220	1920	1320	560	170	240	500	2210	3300	250		
1SG7 504-8JA80-0AA2	7050	950	1220	1920	1320	315	160	240	500	2210	3060	250		
1SG7 504-8JA80-0AC2	7050	950	1220	1920	1320	560	170	240	500	2210	3300	250		
1SG7 504-8JA80-0CA2	7300	950	1220	1920	1320	315	160	240	500	2210	3060	250		
1SG7 504-8JA80-0CC2	7300	950	1220	1920	1320	560	170	240	500	2210	3300	250		
1SG7 507-8JA80-0AA2	7750	950	1220	1920	1500	315	160	240	500	2210	3270	250		
1SG7 507-8JA80-0AC2	7750	950	1220	1920	1500	560	170	240	500	2210	3510	250		
1SG7 507-8JA80-0CA2	8000	950	1220	1920	1500	315	160	240	500	2210	3270	250		
1SG7 507-8JA80-0CC2	8000	950	1220	1920	1500	560	170	240	500	2210	3510	250		
1SG7 508-8JA80-0AA2	8050	950	1220	1920	1500	315	160	240	500	2210	3270	250		
1SG7 508-8JA80-0AC2	8100	950	1220	1920	1500	560	170	240	500	2210	3510	250		
1SG7 508-8JA80-0CA2	8350	950	1220	1920	1500	315	160	240	500	2210	3270	250		
1SG7 508-8JA80-0CC2	8400	950	1220	1920	1500	560	170	240	500	2210	3510	250		
1SG7 563-8JA80-0CA2	8900	1060	1290	2060	1400	335	190	280	560	2330	3260	300		
1SG7 563-8JA80-0CC2	8950	1060	1290	2060	1400	600	190	280	560	2330	3530	300		
1SG7 564-8JA80-0CA2	9350	1060	1290	2060	1400	335	190	280	560	2330	3260	300		
1SG7 564-8JA80-0CC2	9400	1060	1290	2060	1400	600	190	280	560	2330	3530	300		
1SG7 567-8JA80-0CA2	10250	1060	1290	2060	1600	335	190	280	560	2330	3490	300		
1SG7 567-8JA80-0CC2	10300	1060	1290	2060	1600	600	190	280	560	2330	3760	300		



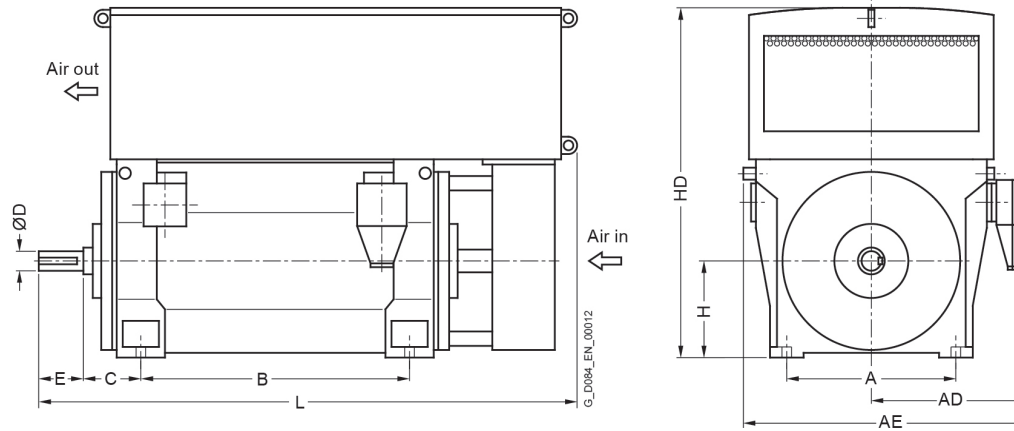
Motor type	Weight	Dimensions										
		A	AD	AE	B	C	D	E	H	HD	L	ML
	kg	mm	mm	mm	mm	mm	mm	mm	mm	mm	mm	mm
Innomotics HV M - 1SG. IC611 10000 V / 50 Hz B3 (IM 1001) - Dimension drawings												
1SG7 568-8JA80-0CA2	10750	1060	1290	2060	1600	335	190	280	560	2330	3490	300
1SG7 568-8JA80-0CC2	10800	1060	1290	2060	1600	600	190	280	560	2330	3760	300
1SG8 633-8JA80-0CG2	10700	1320	1520	2520	1600	375	200	280	630	2570	3530	350
1SG8 633-8JA80-0CJ2	10750	1320	1520	2520	1600	630	200	280	630	2570	3790	350
1SG8 634-8JA80-0CG0	11550	1320	1520	2520	1600	375	200	280	630	2570	3530	350
1SG8 634-8JA80-0CJ0	11600	1320	1520	2520	1600	630	200	280	630	2570	3790	350
1SG8 637-8JA80-0CG0	12750	1320	1520	2520	1800	375	200	280	630	2570	3730	350
1SG8 637-8JA80-0CJ0	12800	1320	1520	2520	1800	630	200	280	630	2570	3990	350
1SG8 638-8JA80-0CG0	13450	1320	1520	2520	1800	375	200	280	630	2570	3730	350
1SG8 638-8JA80-0CJ0	13500	1320	1520	2520	1800	630	200	280	630	2570	3990	350
1SG8 713-8JA80-0CG0	15750	1500	1620	2720	2000	375	220	280	710	3090	3980	400
1SG8 713-8JA80-0CJ0	15950	1500	1620	2720	2000	630	220	280	710	3090	4230	400
1SG8 714-8JA80-0CG0	16900	1500	1620	2720	2000	375	220	280	710	3090	3980	400
1SG8 714-8JA80-0CJ0	17050	1500	1620	2720	2000	630	220	280	710	3090	4230	400
1SG8 717-8JA80-0CG0	18550	1500	1620	2720	2240	375	220	280	710	3090	4220	400
1SG8 717-8JA80-0CJ0	18750	1500	1620	2720	2240	630	220	280	710	3090	4470	400
1SG8 718-8JA80-0CG0	19600	1500	1620	2720	2240	375	220	280	710	3090	4220	400
1SG8 718-8JA80-0CJ0	19750	1500	1620	2720	2240	630	220	280	710	3090	4470	400

Innomotics HV M - 1SG. IC611 11000 V / 50 Hz B3 (IM 1001)																					
Rated power IEC	Article No.	Speed	Rated current				Efficiency				Power factor				Torque	Breakdown torque	Locked rotor torque	Locked rotor current	Inertia		
			I_R	5/4 load	4/4 load	3/4 load	2/4 load	5/4 load	4/4 load	3/4 load	2/4 load	5/4 load	4/4 load	3/4 load					2/4 load	T_R	T_B/ T_R
kW		rpm	A	%	%	%	%	cos φ	cos φ	cos φ	cos φ	Nm	[-]	[-]	[-]	[-]	kgm ²	kgm ²	[-]		
2-pole: n_{sync} = 3000 rpm at 50 Hz																					
1150	1SG7 453-2JA90-0A.0	2982	73	95.1	95.5	95.3	94.3	0.86	0.86	0.83	0.74	3683	2.80	0.60	6.5	10	60	o.r.			
1150	1SG7 453-2JA90-0C.0	2983	71	95.1	95.5	95.3	94.3	0.89	0.89	0.87	0.82	3681	2.85	0.70	6.5	14	70	o.r.			
1250	1SG7 454-2JA90-0A.0	2982	78	95.2	95.7	95.6	94.9	0.88	0.88	0.86	0.81	4003	2.80	0.60	6.5	11	60	o.r.			
1250	1SG7 454-2JA90-0C.0	2983	76	95.2	95.6	95.4	94.5	0.90	0.90	0.89	0.84	4002	2.90	0.75	6.5	15	70	o.r.			
1440	1SG7 457-2JA90-0A.0	2982	90	95.4	95.8	95.7	94.8	0.88	0.88	0.84	0.77	4611	2.85	0.65	6.5	12	70	o.r.			
1450	1SG7 457-2JA90-0C.0	2983	88	95.4	95.8	95.7	94.9	0.90	0.90	0.89	0.84	4642	2.90	0.75	6.5	16	95	o.r.			
1540	1SG7 458-2JA90-0A.0	2982	93	95.6	96.1	96.1	95.5	0.90	0.90	0.89	0.85	4932	2.85	0.65	6.5	13	70	o.r.			
1600	1SG7 458-2JA90-0C.0	2983	96	95.7	96.1	96.0	95.2	0.90	0.91	0.90	0.85	5122	3.00	0.75	6.5	17	105	o.r.			
1750	1SG7 502-2JA90-0C.0	2979	108	95.5	95.8	95.9	95.4	0.88	0.88	0.87	0.82	5610	2.55	0.60	5.0	18	122	o.r.			
1950	1SG7 503-2JA90-0C.0	2979	120	95.9	96.2	96.3	95.9	0.89	0.89	0.89	0.85	6251	2.60	0.70	5.1	20	132	o.r.			
1800	1SG7 503-2JA90-0A.0	2974	110	95.6	96.0	96.2	96.0	0.89	0.89	0.89	0.85	5780	2.65	0.60	5.3	15	34	o.r.			
1900	1SG7 504-2JA90-0A.0	2975	116	95.7	96.1	96.3	96.0	0.89	0.89	0.89	0.85	6099	2.70	0.70	5.3	15	34	o.r.			
2300	1SG7 507-2JA90-0C.0	2983	138	96.3	96.5	96.6	96.1	0.90	0.90	0.89	0.84	7363	3.00	0.85	6.1	24	146	o.r.			
2150	1SG7 507-2JA90-0A.0	2976	130	96.0	96.4	96.5	96.3	0.90	0.90	0.90	0.86	6899	2.90	0.70	5.9	18	40	o.r.			
2450	1SG7 508-2JA90-0C.0	2985	146	96.5	96.7	96.7	96.3	0.91	0.91	0.90	0.84	7838	3.30	0.95	6.8	27	162	o.r.			
2350	1SG7 508-2JA90-0A.0	2976	140	96.2	96.6	96.8	96.7	0.91	0.91	0.91	0.88	7541	2.80	0.80	5.8	20	42	o.r.			
2880	1SG7 562-2JA90-0CC0	2986	176	96.1	96.2	96.0	95.3	0.89	0.89	0.87	0.82	9210	2.90	0.80	6.5	41	240	o.r.			
3070	1SG7 563-2JA90-0CC0	2986	186	96.3	96.3	96.2	95.5	0.89	0.90	0.88	0.84	9818	2.85	0.75	6.5	44	250	o.r.			
3490	1SG7 564-2JA90-0CC0	2987	215	96.1	96.2	95.8	94.9	0.89	0.89	0.86	0.79	11157	3.20	0.85	6.5	47	230	o.r.			
4000	1SG7 567-2JA90-0CC0	2986	240	96.4	96.4	96.3	95.5	0.90	0.91	0.89	0.84	12792	2.95	0.75	6.5	52	280	o.r.			
4250	1SG7 568-2JA90-0CC0	2988	255	96.6	96.5	96.4	95.6	0.91	0.91	0.89	0.83	13583	3.30	0.80	6.8	58	245	o.r.			
4400	1SG8 632-2JA90-0CJ0	2982	270	95.9	96.3	95.9	95.0	0.86	0.89	0.89	0.88	14090	2.00	0.55	4.8	75	310	o.r.			
4950	1SG8 633-2JA90-0CJ0	2982	305	96.1	96.5	96.2	95.4	0.87	0.89	0.90	0.89	15851	2.05	0.55	4.9	82	300	o.r.			
5400	1SG8 634-2JA90-0CJ0	2983	325	96.3	96.7	96.4	95.5	0.88	0.90	0.91	0.90	17287	2.20	0.60	5.2	90	300	o.r.			
6000	1SG8 637-2JA90-0CJ0	2984	355	96.5	96.9	96.6	95.8	0.89	0.91	0.91	0.90	19201	2.35	0.65	5.5	99	310	o.r.			
6500	1SG8 638-2JA90-0CJ0	2986	380	96.7	97.0	96.7	95.9	0.90	0.92	0.92	0.90	20787	2.55	0.65	6.0	107	320	o.r.			
7300	1SG8 712-2JA90-0CJ0	2988	445	96.6	96.6	96.3	95.2	0.87	0.89	0.89	0.87	23330	2.15	0.60	5.1	149	250	o.r.			
7650	1SG8 713-2JA90-0CJ0	2989	455	96.7	96.7	96.3	95.3	0.89	0.91	0.90	0.87	24440	2.45	0.70	5.8	160	240	o.r.			
8150	1SG8 714-2JA90-0CJ0	2990	485	96.8	96.8	96.4	95.4	0.90	0.91	0.90	0.87	26029	2.55	0.60	6.1	172	260	o.r.			
8950	1SG8 716-2JA90-0CJ0	2990	540	97.0	96.9	96.5	95.5	0.89	0.90	0.89	0.85	28584	2.45	0.55	5.9	183	300	o.r.			
9600	1SG8 717-2JA90-0CJ0	2989	560	97.1	97.1	96.8	96.0	0.91	0.92	0.92	0.90	30670	2.45	0.60	5.8	200	250	o.r.			
10100	1SG8 718-2JA90-0CJ0	2989	590	97.2	97.2	97.0	96.2	0.90	0.92	0.91	0.89	32268	2.35	0.50	5.7	216	310	o.r.			
4-pole: n_{sync} = 1500 rpm at 50 Hz																					
1200	1SG7 453-4JA90-0C.0	1488	76	95.0	95.6	95.6	95.1	0.87	0.87	0.83	0.74	7701	2.70	0.60	5.8	23	315	o.r.			
1180	1SG7 453-4JA90-0A.0	1485	75	94.8	95.4	95.5	95.1	0.87	0.87	0.83	0.75	7588	2.65	0.75	6.0	17	335	o.r.			
1240	1SG7 454-4JA90-0A.0	1486	78	95.0	95.6	95.6	95.1	0.88	0.87	0.82	0.73	7968	2.75	0.85	6.5	19	335	o.r.			

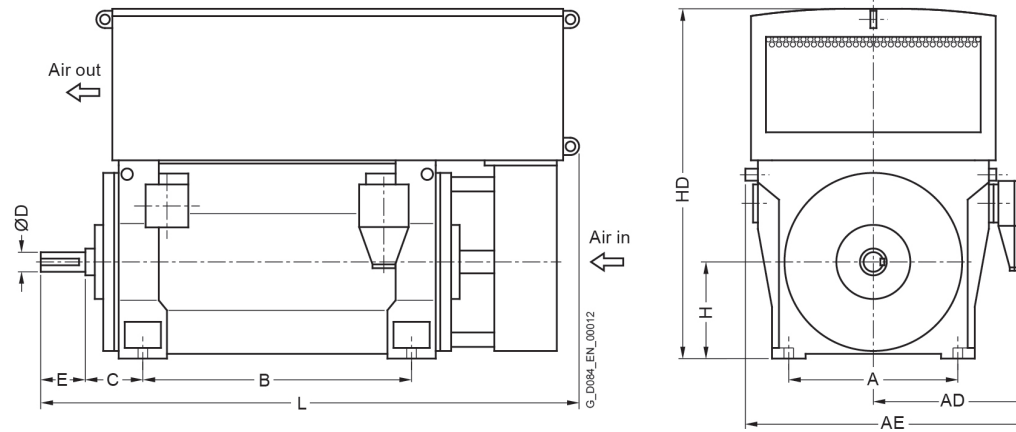
Innomotics HV M - 1SG. IC611 11000 V / 50 Hz B3 (IM 1001)																		
Rated power IEC	Article No.	Speed	Rated current I_R	Efficiency				Power factor				Torque T_R	Breakdown torque T_B/ T_R	Locked rotor torque T_{LR}/ T_R	Locked rotor current I_{LR}/ I_R	Inertia		
				5/4 load	4/4 load	3/4 load	2/4 load	5/4 load	4/4 load	3/4 load	2/4 load					motor	external	Startup max T/TR
kW		rpm	A	%	%	%	%	cos φ	cos φ	cos φ	cos φ	Nm	[-]	[-]	[-]	kgm ²	kgm ²	[-]
1290	1SG7 454-4JA90-0C.0	1488	80	95.2	95.7	95.8	95.3	0.88	0.88	0.84	0.77	8279	2.70	0.65	6.0	25	320	o.r.
1520	1SG7 457-4JA90-0C.0	1489	94	95.6	96.1	96.1	95.6	0.89	0.88	0.85	0.77	9748	2.90	0.70	6.5	30	415	o.r.
1400	1SG7 457-4JA90-0A.0	1486	85	95.2	95.8	96.1	95.8	0.90	0.90	0.88	0.83	8997	2.75	0.85	6.5	22	420	o.r.
1670	1SG7 458-4JA90-0C.0	1489	102	95.7	96.2	96.3	95.9	0.89	0.89	0.86	0.79	10710	2.90	0.70	6.5	32	480	o.r.
1540	1SG7 458-4JA90-0A.0	1486	94	95.4	96.0	96.2	96.0	0.90	0.90	0.88	0.83	9896	2.80	0.85	6.5	24	420	o.r.
1870	1SG7 503-4JA90-0A.0	1486	114	95.6	96.1	96.5	96.2	0.89	0.89	0.89	0.85	12017	2.40	0.80	5.3	37	615	o.r.
1900	1SG7 503-4JA90-0C.0	1488	116	95.6	96.2	96.5	96.2	0.88	0.89	0.89	0.86	12193	2.40	0.60	5.0	45	570	o.r.
2100	1SG7 504-4JA90-0C.0	1491	132	96.1	96.4	96.4	95.8	0.88	0.86	0.83	0.75	13450	2.90	0.70	5.9	50	705	o.r.
1950	1SG7 504-4JA90-0A.0	1487	118	95.6	96.2	96.5	96.3	0.89	0.90	0.90	0.87	12523	2.50	0.90	5.5	40	615	o.r.
2260	1SG7 507-4JA90-0A.0	1487	136	96.0	96.5	96.7	96.5	0.90	0.90	0.89	0.85	14513	2.65	0.95	6.0	46	610	o.r.
2300	1SG7 507-4JA90-0C.0	1489	138	96.1	96.6	96.8	96.5	0.90	0.90	0.89	0.86	14750	2.65	0.70	5.5	56	760	o.r.
2500	1SG7 508-4JA90-0C.0	1490	152	96.3	96.6	96.8	96.4	0.89	0.89	0.88	0.83	16022	2.65	0.65	5.6	61	660	o.r.
2350	1SG7 508-4JA90-0A.0	1487	142	96.0	96.5	96.8	96.6	0.90	0.90	0.90	0.87	15091	2.65	0.95	6.0	50	750	o.r.
2850	1SG7 562-4JA90-0C.0	1490	176	96.2	96.6	96.9	96.6	0.87	0.88	0.87	0.83	18265	2.25	0.60	5.4	74	865	o.r.
3000	1SG7 563-4JA90-0C.0	1491	185	96.3	96.7	96.9	96.6	0.88	0.88	0.87	0.83	19214	2.40	0.65	5.8	80	915	o.r.
3350	1SG7 564-4JA90-0C.0	1491	204	96.4	96.8	97.1	96.9	0.88	0.89	0.89	0.86	21455	2.30	0.65	5.5	90	1020	o.r.
3600	1SG7 566-4JA90-0C.0	1492	216	96.6	97.0	97.2	97.0	0.89	0.90	0.89	0.86	23041	2.50	0.75	6.0	100	1125	o.r.
3960	1SG7 567-4JA90-0C.0	1492	238	96.8	97.1	97.3	97.1	0.90	0.90	0.90	0.86	25345	2.55	0.75	6.3	110	1215	o.r.
4260	1SG7 568-4JA90-0C.0	1492	256	96.9	97.2	97.4	97.2	0.90	0.90	0.89	0.85	27265	2.65	0.75	6.5	119	1325	o.r.
5000	1SG8 633-4JA90-0C.0	1492	305	96.5	96.8	96.7	96.1	0.88	0.89	0.88	0.83	32002	2.55	0.55	6.0	151	790	o.r.
5250	1SG8 634-4JA90-0C.0	1493	320	96.6	96.8	96.7	96.1	0.88	0.89	0.87	0.81	33579	2.60	0.55	6.0	165	970	o.r.
5900	1SG8 637-4JA90-0C.0	1493	355	96.8	97.0	97.0	96.4	0.89	0.90	0.88	0.83	37737	2.60	0.55	6.0	181	1000	o.r.
6500	1SG8 638-4JA90-0C.0	1493	400	96.9	97.1	97.0	96.4	0.88	0.88	0.85	0.79	41574	2.60	0.55	6.0	196	1140	o.r.
6900	1SG8 712-4JA90-0C.0	1492	415	96.7	97.1	97.1	96.7	0.89	0.90	0.90	0.87	44162	2.35	0.50	5.6	259	1000	o.r.
7400	1SG8 713-4JA90-0C.0	1492	440	96.9	97.2	97.3	96.8	0.89	0.91	0.90	0.88	47362	2.45	0.50	5.9	284	1110	o.r.
8050	1SG8 714-4JA90-0C.0	1492	475	97.0	97.3	97.4	97.0	0.90	0.91	0.91	0.88	51523	2.55	0.55	6.0	312	1200	o.r.
8700	1SG8 717-4JA90-0C.0	1493	520	97.1	97.4	97.4	97.0	0.90	0.91	0.91	0.88	55646	2.60	0.55	6.0	344	1410	o.r.
9350	1SG8 718-4JA90-0C.0	1493	560	97.2	97.5	97.5	97.0	0.89	0.90	0.89	0.84	59803	2.60	0.50	6.0	360	1540	o.r.
6-pole: $n_{sync} = 1000$ rpm at 50 Hz																		
830	1SG7 452-6JA90-0A.0	990	55	94.1	94.9	95.2	95.0	0.84	0.84	0.80	0.70	8006	2.45	0.80	5.5	20	385	o.r.
860	1SG7 452-6JA90-0C.0	990	56	93.9	94.9	95.2	95.1	0.85	0.85	0.83	0.75	8295	2.35	0.70	5.4	27	465	o.r.
900	1SG7 453-6JA90-0A.0	990	58	94.3	95.1	95.4	95.2	0.85	0.85	0.81	0.72	8681	2.45	0.85	5.5	22	395	o.r.
920	1SG7 453-6JA90-0C.0	991	59	94.3	95.1	95.3	95.2	0.85	0.86	0.82	0.74	8865	2.50	0.80	5.5	30	470	o.r.
980	1SG7 454-6JA90-0A.0	990	63	94.5	95.3	95.6	95.4	0.85	0.86	0.82	0.74	9453	2.45	0.85	5.5	24	450	o.r.
1000	1SG7 454-6JA90-0C.0	991	64	94.5	95.2	95.5	95.4	0.86	0.86	0.83	0.76	9636	2.50	0.80	5.5	33	550	o.r.
1080	1SG7 457-6JA90-0A.0	990	68	94.6	95.4	95.8	95.7	0.86	0.87	0.84	0.77	10417	2.40	0.85	5.5	28	530	o.r.
1100	1SG7 457-6JA90-0C.0	991	70	94.6	95.4	95.7	95.6	0.87	0.87	0.84	0.78	10600	2.50	0.80	5.5	36	645	o.r.

Innomotics HV M - 1SG. IC611 11000 V / 50 Hz B3 (IM 1001)																		
Rated power IEC	Article No.	Speed	Rated current I_R	Efficiency				Power factor				Torque T_R	Breakdown torque T_B/ T_R	Locked torque T_{LR}/ T_R	rotor Locked current I_{LR}/ I_R	Inertia		
				5/4 load	4/4 load	3/4 load	2/4 load	5/4 load	4/4 load	3/4 load	2/4 load					motor	external	Startup max T/TR
kW		rpm	A	%	%	%	%	$\cos \varphi$	$\cos \varphi$	$\cos \varphi$	$\cos \varphi$	Nm	[-]	[-]	[-]	kgm ²	kgm ²	[-]
1200	1SG7 458-6JA90-0C.0	991	75	94.8	95.6	95.9	95.9	0.87	0.88	0.85	0.79	11563	2.50	0.80	5.5	41	740	o.r.
1180	1SG7 458-6JA90-0A.0	990	74	94.8	95.6	96.0	96.0	0.87	0.87	0.85	0.79	11382	2.35	0.85	5.5	31	615	o.r.
1400	1SG7 502-6JA90-0C.0	993	90	95.5	96.0	96.1	95.8	0.85	0.85	0.80	0.71	13463	2.65	0.85	5.4	54	1130	o.r.
1350	1SG7 502-6JA90-0A.0	991	86	95.0	95.7	96.1	95.9	0.85	0.86	0.84	0.78	13009	2.35	0.90	5.0	42	750	o.r.
1600	1SG7 503-6JA90-0C.0	993	102	95.6	96.2	96.3	96.0	0.85	0.85	0.81	0.72	15387	2.65	0.90	5.4	60	1250	o.r.
1530	1SG7 503-6JA90-0A.0	991	96	95.1	95.8	96.2	96.1	0.85	0.87	0.85	0.79	14743	2.25	0.90	4.9	46	860	o.r.
1630	1SG7 504-6JA90-0A.0	992	104	95.5	96.0	96.3	96.0	0.85	0.85	0.82	0.72	15691	2.65	1.10	5.7	51	980	o.r.
1750	1SG7 504-6JA90-0C.0	993	112	95.8	96.3	96.4	96.1	0.85	0.85	0.81	0.72	16829	2.70	0.85	5.4	66	1400	o.r.
1920	1SG7 507-6JA90-0C.0	994	124	96.0	96.5	96.5	96.2	0.84	0.84	0.79	0.69	18445	2.75	0.85	5.4	74	1600	o.r.
1830	1SG7 507-6JA90-0A.0	992	114	95.6	96.1	96.5	96.3	0.86	0.87	0.85	0.78	17616	2.50	1.00	5.4	58	1150	o.r.
2000	1SG7 508-6JA90-0A.0	992	126	95.8	96.3	96.7	96.5	0.86	0.87	0.84	0.77	19253	2.60	0.95	5.6	63	1350	o.r.
2050	1SG7 508-6JA90-0C.0	994	128	96.0	96.6	96.7	96.5	0.87	0.87	0.84	0.78	19694	2.65	0.85	5.5	81	1800	o.r.
2240	1SG7 561-6JA90-0C.0	993	144	95.7	96.3	96.3	96.0	0.85	0.85	0.83	0.76	21541	2.55	0.70	5.6	96	1090	o.r.
2600	1SG7 562-6JA90-0C.0	993	166	96.0	96.5	96.5	96.2	0.84	0.85	0.83	0.75	25003	2.50	0.65	5.5	105	1450	o.r.
2800	1SG7 564-6JA90-0C.0	993	174	96.1	96.6	96.7	96.5	0.86	0.87	0.85	0.81	26927	2.50	0.65	5.6	123	1550	o.r.
3150	1SG7 567-6JA90-0C.0	994	198	96.3	96.8	96.8	96.5	0.86	0.86	0.84	0.77	30262	2.75	0.70	6.0	134	1790	o.r.
3300	1SG7 568-6JA90-0C.0	995	210	96.5	96.9	96.8	96.4	0.86	0.86	0.83	0.75	31671	3.05	0.80	6.5	150	2090	o.r.
3750	1SG8 632-6JA90-0C.0	993	235	96.1	96.5	96.5	95.8	0.85	0.86	0.82	0.73	36062	2.45	0.60	5.5	193	2610	o.r.
4000	1SG8 633-6JA90-0C.0	994	255	96.2	96.5	96.5	95.9	0.85	0.85	0.81	0.71	38428	2.50	0.60	5.5	208	2890	o.r.
4400	1SG8 634-6JA90-0C.0	994	280	96.4	96.7	96.7	96.1	0.85	0.86	0.82	0.74	42271	2.50	0.60	5.5	227	3060	o.r.
4750	1SG8 637-6JA90-0C.0	994	295	96.4	96.7	96.8	96.2	0.86	0.87	0.83	0.75	45633	2.50	0.60	5.5	245	3230	o.r.
4900	1SG8 638-6JA90-0C.0	994	310	96.5	96.8	96.8	96.2	0.86	0.86	0.82	0.73	47074	2.55	0.60	5.5	263	3890	o.r.
5550	1SG8 712-6JA90-0C.0	994	345	96.7	97.0	97.1	96.6	0.86	0.87	0.84	0.77	53319	2.50	0.55	5.5	331	2970	o.r.
6050	1SG8 713-6JA90-0C.0	994	375	96.8	97.2	97.2	96.8	0.86	0.87	0.85	0.79	58122	2.40	0.55	5.5	373	3500	o.r.
6550	1SG8 714-6JA90-0C.0	995	400	96.9	97.2	97.3	96.9	0.86	0.88	0.86	0.80	62862	2.40	0.55	5.5	422	4160	o.r.
7200	1SG8 717-6JA90-0C.0	995	440	97.0	97.3	97.4	97.0	0.87	0.88	0.86	0.80	69100	2.45	0.50	5.5	475	4860	o.r.
7750	1SG8 718-6JA90-0C.0	995	470	97.1	97.4	97.5	97.2	0.88	0.89	0.87	0.82	74379	2.45	0.55	5.5	522	5280	o.r.
8-pole: $n_{sync} = 750$ rpm at 50 Hz																		
520	1SG7 451-8JA90-0A.0	743	37	93.2	94.2	94.4	93.8	0.80	0.78	0.70	0.55	6683	2.50	0.80	5.5	23	410	o.r.
540	1SG7 451-8JA90-0C.0	743	38	93.3	94.2	94.5	94.0	0.82	0.80	0.73	0.59	6940	2.70	0.75	5.5	30	490	o.r.
580	1SG7 452-8JA90-0A.0	743	40	93.4	94.4	94.7	94.4	0.81	0.80	0.73	0.59	7454	2.50	0.80	5.5	25	470	o.r.
590	1SG7 452-8JA90-0C.0	743	40	93.5	94.5	94.7	94.4	0.83	0.81	0.75	0.62	7583	2.65	0.75	5.5	32	600	o.r.
660	1SG7 453-8JA90-0A.0	743	46	94.0	94.9	95.1	94.7	0.81	0.79	0.72	0.57	8483	2.55	0.85	5.5	28	750	o.r.
680	1SG7 453-8JA90-0C.0	743	46	94.1	94.9	95.1	94.8	0.82	0.81	0.74	0.61	8740	2.75	0.80	5.5	36	890	o.r.
750	1SG7 454-8JA90-0A.0	744	53	94.3	95.1	95.2	94.7	0.80	0.78	0.68	0.52	9626	2.75	0.95	5.5	31	890	o.r.
760	1SG7 454-8JA90-0C.0	744	52	94.4	95.2	95.3	94.8	0.81	0.80	0.71	0.56	9755	2.95	0.80	5.8	40	1060	o.r.
830	1SG7 457-8JA90-0A.0	744	58	94.5	95.2	95.4	95.0	0.81	0.79	0.71	0.57	10653	2.75	0.95	5.5	35	1020	o.r.

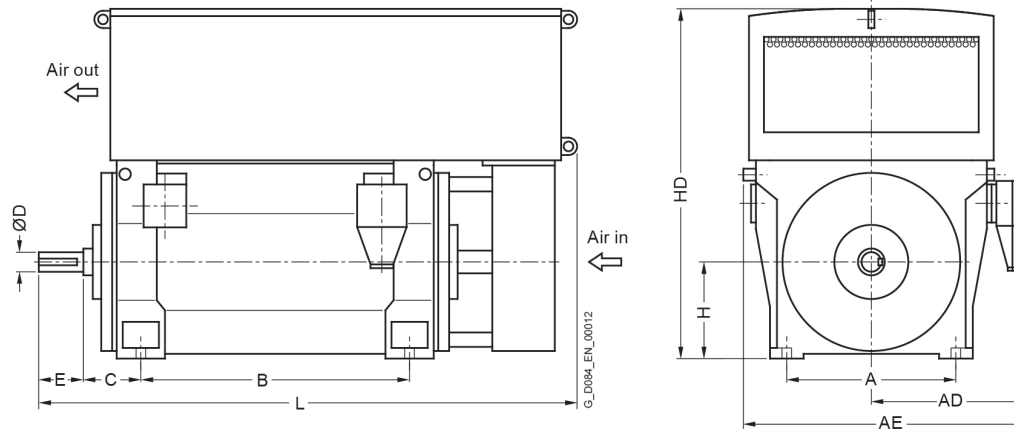
Innomotics HV M - 1SG. IC611 11000 V / 50 Hz B3 (IM 1001)																		
Rated power IEC	Article No.	Speed	Rated current I_R	Efficiency				Power factor				Torque T_R	Breakdown torque T_B/ T_R	Locked torque T_{LR}/ T_R	Locked rotor current I_{LR}/ I_R	Inertia		
				5/4 load	4/4 load	3/4 load	2/4 load	5/4 load	4/4 load	3/4 load	2/4 load					motor	external	Startup max T/TR
kW		rpm	A	%	%	%	%	$\cos \varphi$	$\cos \varphi$	$\cos \varphi$	$\cos \varphi$	Nm	[-]	[-]	[-]	kgm ²	kgm ²	[-]
840	1SG7 457-8JA90-0C.0	744	58	94.6	95.3	95.4	95.0	0.82	0.80	0.73	0.59	10781	2.95	0.80	5.8	45	1220	o.r.
880	1SG7 458-8JA90-0A.0	744	61	94.6	95.4	95.5	95.0	0.81	0.79	0.71	0.56	11295	2.80	0.95	5.7	39	1200	o.r.
900	1SG7 458-8JA90-0C.0	744	62	94.7	95.4	95.5	95.1	0.82	0.80	0.73	0.59	11552	2.95	0.80	5.8	50	1330	o.r.
1000	1SG7 501-8JA90-0A.0	744	70	95.0	95.5	95.7	95.4	0.80	0.79	0.74	0.62	12835	2.40	0.85	4.7	42	1570	o.r.
1000	1SG7 501-8JA90-0C.0	743	67	94.7	95.4	95.8	95.6	0.82	0.82	0.78	0.69	12852	2.30	0.60	4.3	55	1460	o.r.
1100	1SG7 502-8JA90-0A.0	744	78	95.0	95.5	95.9	95.6	0.81	0.78	0.75	0.64	14119	2.50	0.90	4.7	46	1400	o.r.
1100	1SG7 502-8JA90-0C.0	743	74	94.8	95.5	96.0	95.9	0.82	0.82	0.79	0.71	14138	2.35	0.65	4.4	59	1660	o.r.
1250	1SG7 503-8JA90-0A.0	744	85	95.1	95.7	96.1	95.9	0.81	0.81	0.77	0.67	16044	2.30	0.85	4.6	51	1510	o.r.
1370	1SG7 507-8JA90-0A.0	744	92	95.6	96.1	96.3	96.0	0.82	0.81	0.76	0.66	17584	2.55	1.00	5.2	63	2710	o.r.
1400	1SG7 507-8JA90-0C.0	743	91	95.2	95.9	96.4	96.3	0.84	0.84	0.81	0.73	17993	2.30	0.65	4.4	80	2240	o.r.
1550	1SG7 508-8JA90-0A.0	745	106	95.7	96.1	96.3	96.0	0.81	0.80	0.75	0.63	19868	2.65	1.05	5.3	69	2610	o.r.
1600	1SG7 508-8JA90-0C.0	744	106	95.7	96.2	96.4	96.2	0.83	0.83	0.78	0.68	20536	2.65	0.70	5.0	88	3010	o.r.
1800	1SG7 563-8JA90-0C.0	745	120	95.6	96.0	96.3	95.9	0.82	0.82	0.79	0.70	23072	2.35	0.65	5.1	124	2810	o.r.
2000	1SG7 564-8JA90-0C.0	744	134	95.7	96.1	96.5	96.3	0.82	0.82	0.80	0.73	25670	2.20	0.60	4.9	137	3135	o.r.
2240	1SG7 567-8JA90-0C.0	745	150	95.9	96.1	96.6	96.4	0.83	0.82	0.80	0.72	28712	2.30	0.65	5.0	150	4020	o.r.
2500	1SG7 568-8JA90-0C.0	744	166	96.1	96.2	96.8	96.4	0.83	0.82	0.80	0.73	32088	2.30	0.65	5.1	165	5205	o.r.
2950	1SG8 634-8JA90-0C.0	744	188	95.5	96.1	96.1	95.7	0.85	0.86	0.83	0.76	37863	2.15	0.50	4.8	251	3210	o.r.
3350	1SG8 637-8JA90-0C.0	744	210	95.9	96.3	96.3	95.9	0.86	0.87	0.83	0.75	42998	2.30	0.50	5.0	292	4650	o.r.
3550	1SG8 638-8JA90-0C.0	744	220	96.0	96.5	96.5	96.1	0.87	0.87	0.83	0.76	45565	2.35	0.55	5.2	326	5480	o.r.
3800	1SG8 712-8JA90-0C.0	746	240	96.2	96.6	96.5	96.0	0.86	0.86	0.81	0.72	48643	2.55	0.60	5.5	421	3900	o.r.
4150	1SG8 713-8JA90-0C.0	746	260	96.4	96.7	96.6	96.0	0.86	0.86	0.81	0.71	53123	2.55	0.60	5.5	470	4270	o.r.
4650	1SG8 714-8JA90-0C.0	746	290	96.5	96.8	96.7	96.3	0.87	0.87	0.82	0.74	59523	2.55	0.55	5.5	539	4260	o.r.
4950	1SG8 717-8JA90-0C.0	746	305	96.5	96.9	96.9	96.6	0.87	0.88	0.84	0.77	63363	2.45	0.50	5.4	616	4640	o.r.
5300	1SG8 718-8JA90-0C.0	746	330	96.6	97.0	97.0	96.7	0.87	0.87	0.84	0.77	67844	2.35	0.50	5.1	677	4860	o.r.



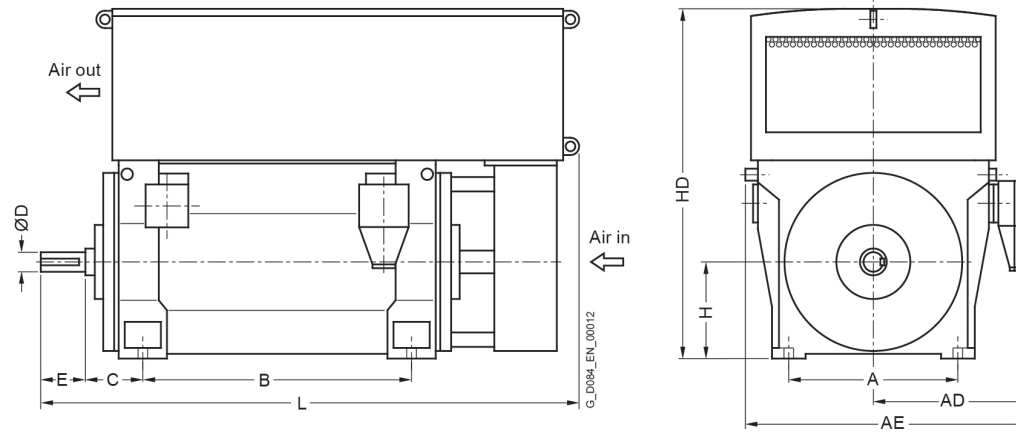
Motor type	Weight	Dimensions										
		A	AD	AE	B	C	D	E	H	HD	L	ML
	kg	mm	mm	mm	mm	mm	mm	mm	mm	mm	mm	mm
Innomotics HV M - 1SG. IC611 11000 V / 50 Hz B3 (IM 1001) - Dimension drawings												
2-pole												
1SG7 453-2JA90-0AA0	4600	850	1140	1760	1180	250	95	130	450	1900	2650	200
1SG7 453-2JA90-0AC0	4500	850	1140	1760	1180	475	95	130	450	1900	2880	200
1SG7 453-2JA90-0CA0	4750	850	1140	1760	1180	250	95	130	450	1900	2650	200
1SG7 453-2JA90-0CC0	4650	850	1140	1760	1180	475	95	130	450	1900	2880	200
1SG7 454-2JA90-0AA0	4700	850	1140	1760	1180	250	95	130	450	1900	2650	200
1SG7 454-2JA90-0AC0	4600	850	1140	1760	1180	475	95	130	450	1900	2880	200
1SG7 454-2JA90-0CA0	4850	850	1140	1760	1180	250	95	130	450	1900	2650	200
1SG7 454-2JA90-0CC0	4750	850	1140	1760	1180	475	95	130	450	1900	2880	200
1SG7 457-2JA90-0AA0	5150	850	1140	1760	1400	250	95	130	450	1900	2860	200
1SG7 457-2JA90-0AC0	5050	850	1140	1760	1400	475	95	130	450	1900	3090	200
1SG7 457-2JA90-0CA0	5300	850	1140	1760	1400	250	95	130	450	1900	2860	200
1SG7 457-2JA90-0CC0	5200	850	1140	1760	1400	475	95	130	450	1900	3090	200
1SG7 458-2JA90-0AA0	5350	850	1140	1760	1400	250	95	130	450	1900	2860	200
1SG7 458-2JA90-0AC0	5250	850	1140	1760	1400	475	95	130	450	1900	3090	200
1SG7 458-2JA90-0CA0	5500	850	1140	1760	1400	250	95	130	450	1900	2860	200
1SG7 458-2JA90-0CC0	5400	850	1140	1760	1400	475	95	130	450	1900	3090	200
1SG7 502-2JA90-0CA0	6200	950	1220	1920	1320	250	110	165	500	2210	2920	250
1SG7 502-2JA90-0CC0	6150	950	1220	1920	1320	530	120	165	500	2210	3200	250
1SG7 503-2JA90-0CA0	6500	950	1220	1920	1320	250	110	165	500	2210	2920	250
1SG7 503-2JA90-0CC0	6450	950	1220	1920	1320	530	120	165	500	2210	3200	250
1SG7 503-2JA90-0AA0	6350	950	1220	1920	1320	250	110	165	500	2210	2920	250
1SG7 503-2JA90-0AC0	6250	950	1220	1920	1320	530	120	165	500	2210	3200	250



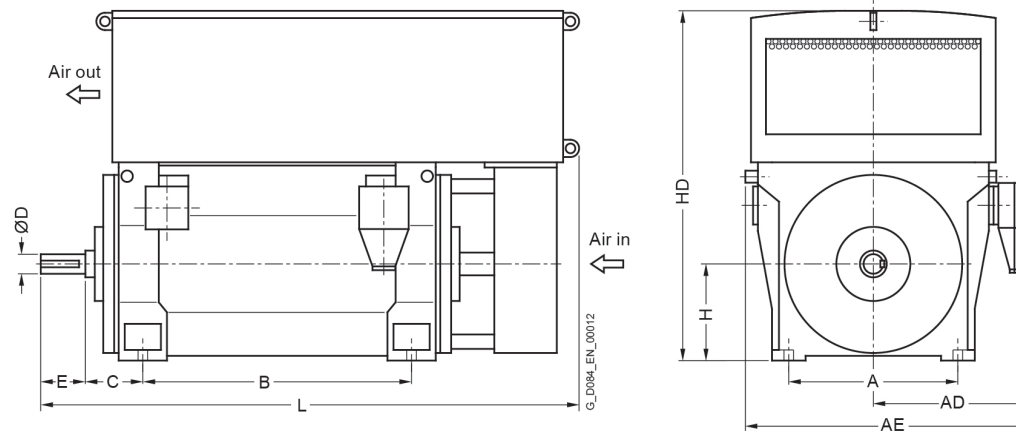
Motor type	Weight	Dimensions												
		A	AD	AE	B	C	D	E	H	HD	L	ML		
	kg	mm	mm	mm	mm	mm	mm	mm	mm	mm	mm	mm	mm	
Innomotics HV M - 1SG. IC611 11000 V / 50 Hz B3 (IM 1001) - Dimension drawings														
1SG7 504-2JA90-0AA0	6450	950	1220	1920	1320	250	110	165	500	2210	2920	250		
1SG7 504-2JA90-0AC0	6350	950	1220	1920	1320	530	120	165	500	2210	3200	250		
1SG7 507-2JA90-0CA0	7300	950	1220	1920	1500	250	110	165	500	2210	3130	250		
1SG7 507-2JA90-0CC0	7200	950	1220	1920	1500	530	120	165	500	2210	3410	250		
1SG7 507-2JA90-0AA0	7100	950	1220	1920	1500	250	110	165	500	2210	3130	250		
1SG7 507-2JA90-0AC0	7050	950	1220	1920	1500	530	120	165	500	2210	3410	250		
1SG7 508-2JA90-0CA0	7650	950	1220	1920	1500	250	110	165	500	2210	3130	250		
1SG7 508-2JA90-0CC0	7550	950	1220	1920	1500	530	120	165	500	2210	3410	250		
1SG7 508-2JA90-0AA0	7450	950	1220	1920	1500	250	110	165	500	2210	3130	250		
1SG7 508-2JA90-0AC0	7400	950	1220	1920	1500	530	120	165	500	2210	3410	250		
1SG7 562-2JA90-0CC0	8200	1060	1290	2060	1400	600	150	200	560	2330	3450	300		
1SG7 563-2JA90-0CC0	8450	1060	1290	2060	1400	600	150	200	560	2330	3450	300		
1SG7 564-2JA90-0CC0	8650	1060	1290	2060	1400	600	150	200	560	2330	3450	300		
1SG7 567-2JA90-0CC0	9600	1060	1290	2060	1600	600	150	200	560	2330	3680	300		
1SG7 568-2JA90-0CC0	10100	1060	1290	2060	1600	600	150	200	560	2330	3680	300		
1SG8 632-2JA90-0CJ0	10050	1320	1520	2520	1600	560	160	240	630	2710	3680	350		
1SG8 633-2JA90-0CJ0	10600	1320	1520	2520	1600	560	160	240	630	2710	3680	350		
1SG8 634-2JA90-0CJ0	11100	1320	1520	2520	1600	560	160	240	630	2710	3680	350		
1SG8 637-2JA90-0CJ0	12000	1320	1520	2520	1800	560	160	240	630	2710	3880	350		
1SG8 638-2JA90-0CJ0	12550	1320	1520	2520	1800	560	160	240	630	2710	3880	350		
1SG8 712-2JA90-0CJ0	14550	1500	1620	2720	2000	560	180	240	710	3090	4400	400		
1SG8 713-2JA90-0CJ0	15050	1500	1620	2720	2000	560	180	240	710	3090	4400	400		
1SG8 714-2JA90-0CJ0	15700	1500	1620	2720	2000	560	180	240	710	3090	4400	400		



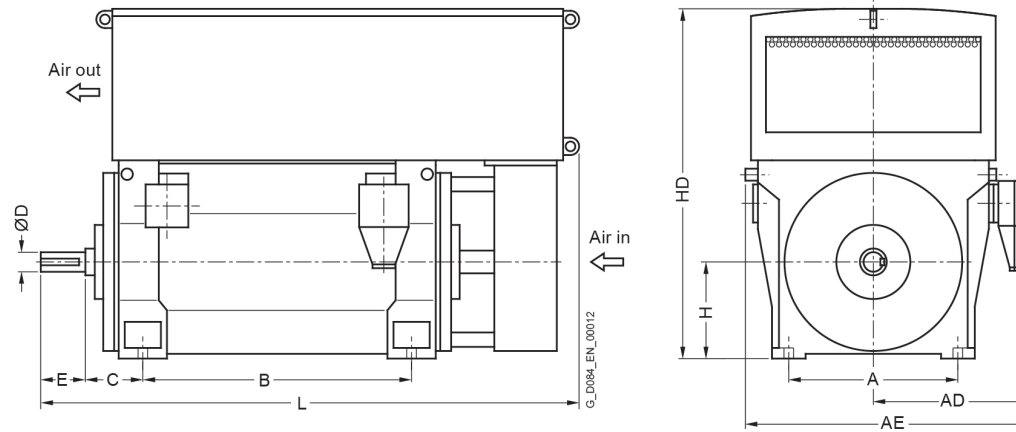
Motor type	Weight	Dimensions										
		A	AD	AE	B	C	D	E	H	HD	L	ML
	kg	mm	mm	mm	mm	mm	mm	mm	mm	mm	mm	mm
Innomotics HV M - 1SG. IC611 11000 V / 50 Hz B3 (IM 1001) - Dimension drawings												
1SG8 716-2JA90-0CJ0	16850	1500	1620	2720	2240	560	180	240	710	3090	4640	400
1SG8 717-2JA90-0CJ0	17650	1500	1620	2720	2240	560	180	240	710	3090	4640	400
1SG8 718-2JA90-0CJ0	18600	1500	1620	2720	2240	560	180	240	710	3090	4640	400
4-pole												
1SG7 453-4JA90-0CA0	4750	850	1140	1760	1180	250	130	200	450	1900	2720	200
1SG7 453-4JA90-0CC0	4750	850	1140	1760	1180	500	130	200	450	1900	2970	200
1SG7 453-4JA90-0AA0	4650	850	1140	1760	1180	250	130	200	450	1900	2720	200
1SG7 453-4JA90-0AC0	4650	850	1140	1760	1180	500	130	200	450	1900	2970	200
1SG7 454-4JA90-0AA0	4800	850	1140	1760	1180	250	130	200	450	1900	2720	200
1SG7 454-4JA90-0AC0	4800	850	1140	1760	1180	500	130	200	450	1900	2970	200
1SG7 454-4JA90-0CA0	4950	850	1140	1760	1180	250	130	200	450	1900	2720	200
1SG7 454-4JA90-0CC0	4950	850	1140	1760	1180	500	130	200	450	1900	2970	200
1SG7 457-4JA90-0CA0	5550	850	1140	1760	1400	250	130	200	450	1900	2930	200
1SG7 457-4JA90-0CC0	5550	850	1140	1760	1400	500	130	200	450	1900	3180	200
1SG7 457-4JA90-0AA0	5400	850	1140	1760	1400	250	130	200	450	1900	2930	200
1SG7 457-4JA90-0AC0	5400	850	1140	1760	1400	500	130	200	450	1900	3180	200
1SG7 458-4JA90-0CA0	5800	850	1140	1760	1400	250	130	200	450	1900	2930	200
1SG7 458-4JA90-0CC0	5800	850	1140	1760	1400	500	130	200	450	1900	3180	200
1SG7 458-4JA90-0AA0	5600	850	1140	1760	1400	250	130	200	450	1900	2930	200
1SG7 458-4JA90-0AC0	5600	850	1140	1760	1400	500	130	200	450	1900	3180	200
1SG7 503-4JA90-0AA0	6650	950	1220	1920	1320	315	160	240	500	2210	3060	250
1SG7 503-4JA90-0AC0	6700	950	1220	1920	1320	560	170	240	500	2210	3300	250
1SG7 503-4JA90-0CA0	6750	950	1220	1920	1320	315	160	240	500	2210	3060	250



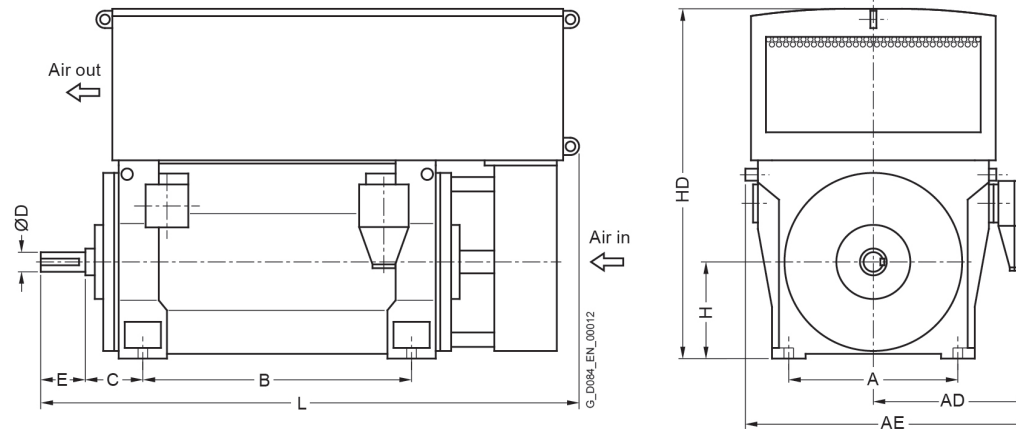
Motor type	Weight	Dimensions												
		A	AD	AE	B	C	D	E	H	HD	L	ML		
	kg	mm	mm	mm	mm	mm	mm	mm	mm	mm	mm	mm	mm	
Innomotics HV M - 1SG. IC611 11000 V / 50 Hz B3 (IM 1001) - Dimension drawings														
1SG7 503-4JA90-0CC0	6800	950	1220	1920	1320	560	170	240	500	2210	3300	250		
1SG7 504-4JA90-0CA0	7050	950	1220	1920	1320	315	160	240	500	2210	3060	250		
1SG7 504-4JA90-0CC0	7100	950	1220	1920	1320	560	170	240	500	2210	3300	250		
1SG7 504-4JA90-0AA0	6850	950	1220	1920	1320	315	160	240	500	2210	3060	250		
1SG7 504-4JA90-0AC0	6900	950	1220	1920	1320	560	170	240	500	2210	3300	250		
1SG7 507-4JA90-0AA0	7550	950	1220	1920	1500	315	160	240	500	2210	3270	250		
1SG7 507-4JA90-0AC0	7600	950	1220	1920	1500	560	170	240	500	2210	3510	250		
1SG7 507-4JA90-0CA0	7750	950	1220	1920	1500	315	160	240	500	2210	3270	250		
1SG7 507-4JA90-0CC0	7800	950	1220	1920	1500	560	170	240	500	2210	3510	250		
1SG7 508-4JA90-0CA0	8050	950	1220	1920	1500	315	160	240	500	2210	3270	250		
1SG7 508-4JA90-0CC0	8100	950	1220	1920	1500	560	170	240	500	2210	3510	250		
1SG7 508-4JA90-0AA0	7850	950	1220	1920	1500	315	160	240	500	2210	3270	250		
1SG7 508-4JA90-0AC0	7900	950	1220	1920	1500	560	170	240	500	2210	3510	250		
1SG7 562-4JA90-0CA0	8150	1060	1290	2060	1400	335	190	280	560	2330	3260	300		
1SG7 562-4JA90-0CC0	8200	1060	1290	2060	1400	600	190	280	560	2330	3530	300		
1SG7 563-4JA90-0CA0	8450	1060	1290	2060	1400	335	190	280	560	2330	3260	300		
1SG7 563-4JA90-0CC0	8450	1060	1290	2060	1400	600	190	280	560	2330	3530	300		
1SG7 564-4JA90-0CA0	8900	1060	1290	2060	1400	335	190	280	560	2330	3260	300		
1SG7 564-4JA90-0CC0	8950	1060	1290	2060	1400	600	190	280	560	2330	3530	300		
1SG7 566-4JA90-0CA0	9750	1060	1290	2060	1600	335	190	280	560	2330	3490	300		
1SG7 566-4JA90-0CC0	9750	1060	1290	2060	1600	600	190	280	560	2330	3760	300		
1SG7 567-4JA90-0CA0	10200	1060	1290	2060	1600	335	190	280	560	2330	3490	300		
1SG7 567-4JA90-0CC0	10250	1060	1290	2060	1600	600	190	280	560	2330	3760	300		



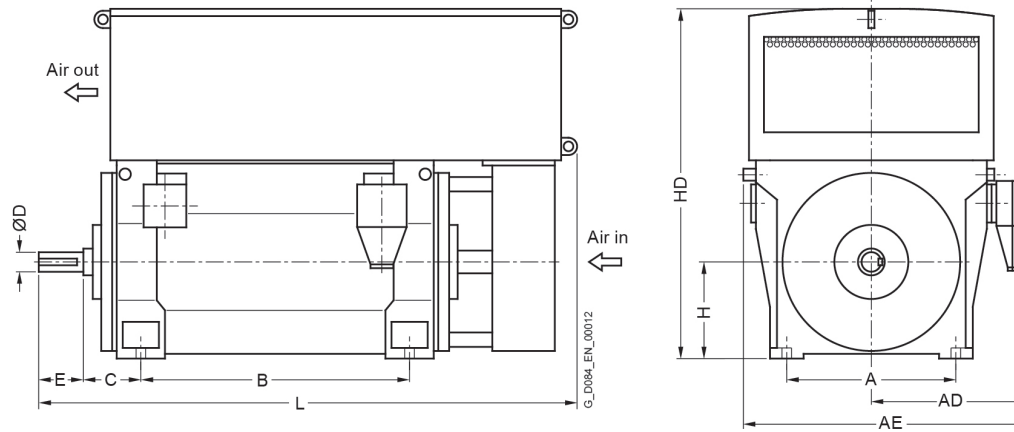
Motor type	Weight	Dimensions										
		A	AD	AE	B	C	D	E	H	HD	L	ML
	kg	mm	mm	mm	mm	mm	mm	mm	mm	mm	mm	mm
Innomotics HV M - 1SG. IC611 11000 V / 50 Hz B3 (IM 1001) - Dimension drawings												
1SG7 568-4JA90-0CA0	10650	1060	1290	2060	1600	335	190	280	560	2330	3490	300
1SG7 568-4JA90-0CC0	10650	1060	1290	2060	1600	600	190	280	560	2330	3760	300
1SG8 633-4JA90-0CG0	11300	1320	1520	2520	1600	375	200	280	630	2710	3530	350
1SG8 633-4JA90-0CJ0	11450	1320	1520	2520	1600	630	200	280	630	2710	3790	350
1SG8 634-4JA90-0CG0	11700	1320	1520	2520	1600	375	200	280	630	2710	3530	350
1SG8 634-4JA90-0CJ0	11850	1320	1520	2520	1600	630	200	280	630	2710	3790	350
1SG8 637-4JA90-0CG0	12650	1320	1520	2520	1800	375	200	280	630	2710	3730	350
1SG8 637-4JA90-0CJ0	12800	1320	1520	2520	1800	630	200	280	630	2710	3990	350
1SG8 638-4JA90-0CG0	13250	1320	1520	2520	1800	375	200	280	630	2710	3730	350
1SG8 638-4JA90-0CJ0	13400	1320	1520	2520	1800	630	200	280	630	2710	3990	350
1SG8 712-4JA90-0CG0	15400	1500	1620	2720	2000	375	220	280	710	3090	3980	400
1SG8 712-4JA90-0CJ0	15500	1500	1620	2720	2000	630	220	280	710	3090	4230	400
1SG8 713-4JA90-0CG0	16050	1500	1620	2720	2000	375	220	280	710	3090	3980	400
1SG8 713-4JA90-0CJ0	16200	1500	1620	2720	2000	630	220	280	710	3090	4230	400
1SG8 714-4JA90-0CG0	16850	1500	1620	2720	2000	375	220	280	710	3090	3980	400
1SG8 714-4JA90-0CJ0	16950	1500	1620	2720	2000	630	220	280	710	3090	4230	400
1SG8 717-4JA90-0CG0	18100	1500	1620	2720	2240	375	220	280	710	3090	4220	400
1SG8 717-4JA90-0CJ0	18200	1500	1620	2720	2240	630	220	280	710	3090	4470	400
1SG8 718-4JA90-0CG0	18700	1500	1620	2720	2240	375	220	280	710	3090	4220	400
1SG8 718-4JA90-0CJ0	18800	1500	1620	2720	2240	630	220	280	710	3090	4470	400
6-pole												
1SG7 452-6JA90-0AA0	4500	850	1140	1760	1180	250	130	200	450	1900	2720	200
1SG7 452-6JA90-0AC0	4500	850	1140	1760	1180	500	130	200	450	1900	2970	200



Motor type	Weight	Dimensions												
		A	AD	AE	B	C	D	E	H	HD	L	ML		
	kg	mm	mm	mm	mm	mm	mm	mm	mm	mm	mm	mm	mm	
Innomotics HV M - 1SG. IC611 11000 V / 50 Hz B3 (IM 1001) - Dimension drawings														
1SG7 452-6JA90-0CA0	4650	850	1140	1760	1180	250	130	200	450	1900	2720	200		
1SG7 452-6JA90-0CC0	4650	850	1140	1760	1180	500	130	200	450	1900	2970	200		
1SG7 453-6JA90-0AA0	4600	850	1140	1760	1180	250	130	200	450	1900	2720	200		
1SG7 453-6JA90-0AC0	4650	850	1140	1760	1180	500	130	200	450	1900	2970	200		
1SG7 453-6JA90-0CA0	4800	850	1140	1760	1180	250	130	200	450	1900	2720	200		
1SG7 453-6JA90-0CC0	4800	850	1140	1760	1180	500	130	200	450	1900	2970	200		
1SG7 454-6JA90-0AA0	4800	850	1140	1760	1180	250	130	200	450	1900	2720	200		
1SG7 454-6JA90-0AC0	4800	850	1140	1760	1180	500	130	200	450	1900	2970	200		
1SG7 454-6JA90-0CA0	4950	850	1140	1760	1180	250	130	200	450	1900	2720	200		
1SG7 454-6JA90-0CC0	5000	850	1140	1760	1180	500	130	200	450	1900	2970	200		
1SG7 457-6JA90-0AA0	5300	850	1140	1760	1400	250	130	200	450	1900	2930	200		
1SG7 457-6JA90-0AC0	5300	850	1140	1760	1400	500	130	200	450	1900	3180	200		
1SG7 457-6JA90-0CA0	5450	850	1140	1760	1400	250	130	200	450	1900	2930	200		
1SG7 457-6JA90-0CC0	5500	850	1140	1760	1400	500	130	200	450	1900	3180	200		
1SG7 458-6JA90-0CA0	5750	850	1140	1760	1400	250	130	200	450	1900	2930	200		
1SG7 458-6JA90-0CC0	5800	850	1140	1760	1400	500	130	200	450	1900	3180	200		
1SG7 458-6JA90-0AA0	5550	850	1140	1760	1400	250	130	200	450	1900	2930	200		
1SG7 458-6JA90-0AC0	5600	850	1140	1760	1400	500	130	200	450	1900	3180	200		
1SG7 502-6JA90-0CA0	6700	950	1220	1920	1320	315	160	240	500	2210	3060	250		
1SG7 502-6JA90-0CC0	6700	950	1220	1920	1320	560	170	240	500	2210	3300	250		
1SG7 502-6JA90-0AA0	6500	950	1220	1920	1320	315	160	240	500	2210	3060	250		
1SG7 502-6JA90-0AC0	6500	950	1220	1920	1320	560	170	240	500	2210	3300	250		
1SG7 503-6JA90-0CA0	6950	950	1220	1920	1320	315	160	240	500	2210	3060	250		

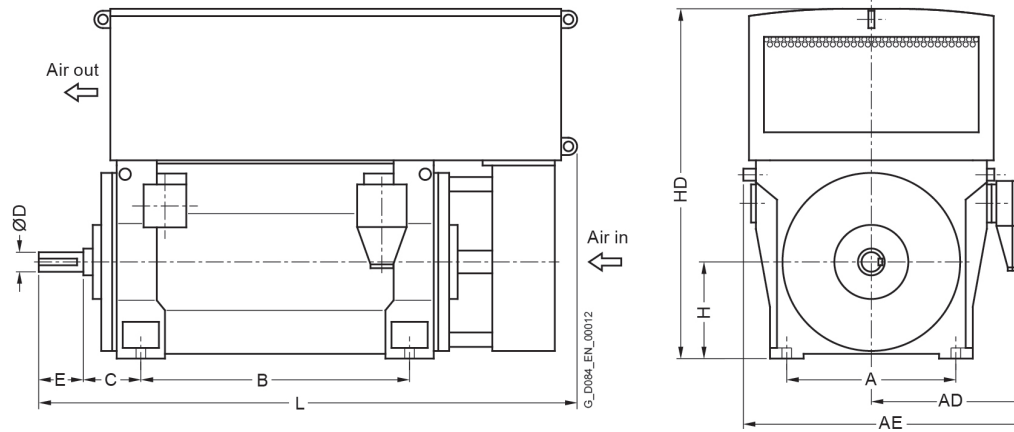


Motor type	Weight	Dimensions												
		A	AD	AE	B	C	D	E	H	HD	L	ML		
	kg	mm	mm	mm	mm	mm	mm	mm	mm	mm	mm	mm	mm	
Innomotics HV M - 1SG. IC611 11000 V / 50 Hz B3 (IM 1001) - Dimension drawings														
1SG7 503-6JA90-0CC0	7000	950	1220	1920	1320	560	170	240	500	2210	3300	250		
1SG7 503-6JA90-0AA0	6750	950	1220	1920	1320	315	160	240	500	2210	3060	250		
1SG7 503-6JA90-0AC0	6750	950	1220	1920	1320	560	170	240	500	2210	3300	250		
1SG7 504-6JA90-0AA0	7000	950	1220	1920	1320	315	160	240	500	2210	3060	250		
1SG7 504-6JA90-0AC0	7000	950	1220	1920	1320	560	170	240	500	2210	3300	250		
1SG7 504-6JA90-0CA0	7250	950	1220	1920	1320	315	160	240	500	2210	3060	250		
1SG7 504-6JA90-0CC0	7250	950	1220	1920	1320	560	170	240	500	2210	3300	250		
1SG7 507-6JA90-0CA0	7950	950	1220	1920	1500	315	160	240	500	2210	3270	250		
1SG7 507-6JA90-0CC0	8000	950	1220	1920	1500	560	170	240	500	2210	3510	250		
1SG7 507-6JA90-0AA0	7700	950	1220	1920	1500	315	160	240	500	2210	3270	250		
1SG7 507-6JA90-0AC0	7700	950	1220	1920	1500	560	170	240	500	2210	3510	250		
1SG7 508-6JA90-0AA0	8050	950	1220	1920	1500	315	160	240	500	2210	3270	250		
1SG7 508-6JA90-0AC0	8050	950	1220	1920	1500	560	170	240	500	2210	3510	250		
1SG7 508-6JA90-0CA0	8300	950	1220	1920	1500	315	160	240	500	2210	3270	250		
1SG7 508-6JA90-0CC0	8350	950	1220	1920	1500	560	170	240	500	2210	3510	250		
1SG7 561-6JA90-0CA0	8350	1060	1290	2060	1400	335	190	280	560	2330	3260	300		
1SG7 561-6JA90-0CC0	8400	1060	1290	2060	1400	600	190	280	560	2330	3530	300		
1SG7 562-6JA90-0CA0	8700	1060	1290	2060	1400	335	190	280	560	2330	3260	300		
1SG7 562-6JA90-0CC0	8750	1060	1290	2060	1400	600	190	280	560	2330	3530	300		
1SG7 564-6JA90-0CA0	9350	1060	1290	2060	1400	335	190	280	560	2330	3260	300		
1SG7 564-6JA90-0CC0	9400	1060	1290	2060	1400	600	190	280	560	2330	3530	300		
1SG7 567-6JA90-0CA0	10200	1060	1290	2060	1600	335	190	280	560	2330	3490	300		
1SG7 567-6JA90-0CC0	10250	1060	1290	2060	1600	600	190	280	560	2330	3760	300		

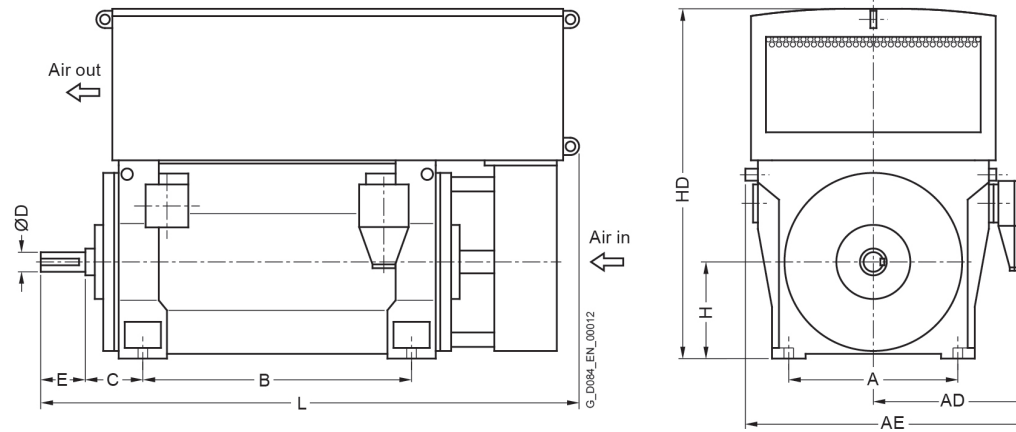


Motor type	Weight	Dimensions										
		A	AD	AE	B	C	D	E	H	HD	L	ML
	kg	mm	mm	mm	mm	mm	mm	mm	mm	mm	mm	mm
Innomotics HV M - 1SG. IC611 11000 V / 50 Hz B3 (IM 1001) - Dimension drawings												
1SG7 568-6JA90-0CA0	10750	1060	1290	2060	1600	335	190	280	560	2330	3490	300
1SG7 568-6JA90-0CC0	10800	1060	1290	2060	1600	600	190	280	560	2330	3760	300
1SG8 632-6JA90-0CG0	11350	1320	1520	2520	1600	375	200	280	630	2710	3530	350
1SG8 632-6JA90-0CJ0	11400	1320	1520	2520	1600	630	200	280	630	2710	3790	350
1SG8 633-6JA90-0CG0	11750	1320	1520	2520	1600	375	200	280	630	2710	3530	350
1SG8 633-6JA90-0CJ0	11850	1320	1520	2520	1600	630	200	280	630	2710	3790	350
1SG8 634-6JA90-0CG0	12300	1320	1520	2520	1600	375	200	280	630	2710	3530	350
1SG8 634-6JA90-0CJ0	12350	1320	1520	2520	1600	630	200	280	630	2710	3790	350
1SG8 637-6JA90-0CG0	13100	1320	1520	2520	1800	375	200	280	630	2710	3730	350
1SG8 637-6JA90-0CJ0	13150	1320	1520	2520	1800	630	200	280	630	2710	3990	350
1SG8 638-6JA90-0CG0	13650	1320	1520	2520	1800	375	200	280	630	2710	3730	350
1SG8 638-6JA90-0CJ0	13700	1320	1520	2520	1800	630	200	280	630	2710	3990	350
1SG8 712-6JA90-0CG0	15400	1500	1620	2720	2000	375	220	280	710	3090	3980	400
1SG8 712-6JA90-0CJ0	15500	1500	1620	2720	2000	630	220	280	710	3090	4230	400
1SG8 713-6JA90-0CG0	16300	1500	1620	2720	2000	375	220	280	710	3090	3980	400
1SG8 713-6JA90-0CJ0	16450	1500	1620	2720	2000	630	220	280	710	3090	4230	400
1SG8 714-6JA90-0CG0	17300	1500	1620	2720	2000	375	220	280	710	3090	3980	400
1SG8 714-6JA90-0CJ0	17400	1500	1620	2720	2000	630	220	280	710	3090	4230	400
1SG8 717-6JA90-0CG0	18850	1500	1620	2720	2240	375	220	280	710	3090	4220	400
1SG8 717-6JA90-0CJ0	18950	1500	1620	2720	2240	630	220	280	710	3090	4470	400
1SG8 718-6JA90-0CG0	19900	1500	1620	2720	2240	375	220	280	710	3090	4220	400
1SG8 718-6JA90-0CJ0	20000	1500	1620	2720	2240	630	220	280	710	3090	4470	400

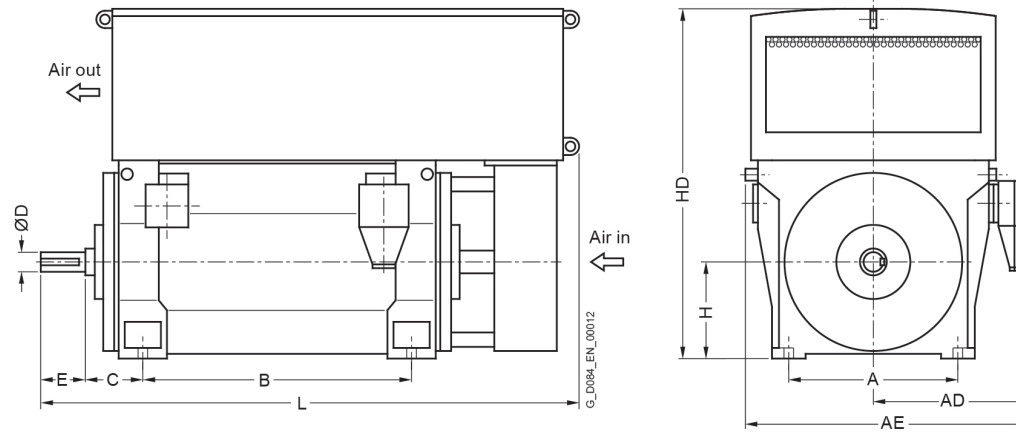
8-pole



Motor type	Weight	Dimensions												
		A	AD	AE	B	C	D	E	H	HD	L	ML		
	kg	mm	mm	mm	mm	mm	mm	mm	mm	mm	mm	mm	mm	
Innomotics HV M - 1SG. IC611 11000 V / 50 Hz B3 (IM 1001) - Dimension drawings														
1SG7 451-8JA90-0AA0	4450	850	1140	1760	1180	250	130	200	450	1900	2720	200		
1SG7 451-8JA90-0AC0	4450	850	1140	1760	1180	500	130	200	450	1900	2970	200		
1SG7 451-8JA90-0CA0	4600	850	1140	1760	1180	250	130	200	450	1900	2720	200		
1SG7 451-8JA90-0CC0	4600	850	1140	1760	1180	500	130	200	450	1900	2970	200		
1SG7 452-8JA90-0AA0	4600	850	1140	1760	1180	250	130	200	450	1900	2720	200		
1SG7 452-8JA90-0AC0	4600	850	1140	1760	1180	500	130	200	450	1900	2970	200		
1SG7 452-8JA90-0CA0	4750	850	1140	1760	1180	250	130	200	450	1900	2720	200		
1SG7 452-8JA90-0CC0	4750	850	1140	1760	1180	500	130	200	450	1900	2970	200		
1SG7 453-8JA90-0AA0	4800	850	1140	1760	1180	250	130	200	450	1900	2720	200		
1SG7 453-8JA90-0AC0	4800	850	1140	1760	1180	500	130	200	450	1900	2970	200		
1SG7 453-8JA90-0CA0	4950	850	1140	1760	1180	250	130	200	450	1900	2720	200		
1SG7 453-8JA90-0CC0	5000	850	1140	1760	1180	500	130	200	450	1900	2970	200		
1SG7 454-8JA90-0AA0	5050	850	1140	1760	1180	250	130	200	450	1900	2720	200		
1SG7 454-8JA90-0AC0	5050	850	1140	1760	1180	500	130	200	450	1900	2970	200		
1SG7 454-8JA90-0CA0	5200	850	1140	1760	1180	250	130	200	450	1900	2720	200		
1SG7 454-8JA90-0CC0	5200	850	1140	1760	1180	500	130	200	450	1900	2970	200		
1SG7 457-8JA90-0AA0	5550	850	1140	1760	1400	250	130	200	450	1900	2930	200		
1SG7 457-8JA90-0AC0	5550	850	1140	1760	1400	500	130	200	450	1900	3180	200		
1SG7 457-8JA90-0CA0	5750	850	1140	1760	1400	250	130	200	450	1900	2930	200		
1SG7 457-8JA90-0CC0	5750	850	1140	1760	1400	500	130	200	450	1900	3180	200		
1SG7 458-8JA90-0AA0	5800	850	1140	1760	1400	250	130	200	450	1900	2930	200		
1SG7 458-8JA90-0AC0	5800	850	1140	1760	1400	500	130	200	450	1900	3180	200		
1SG7 458-8JA90-0CA0	6000	850	1140	1760	1400	250	130	200	450	1900	2930	200		

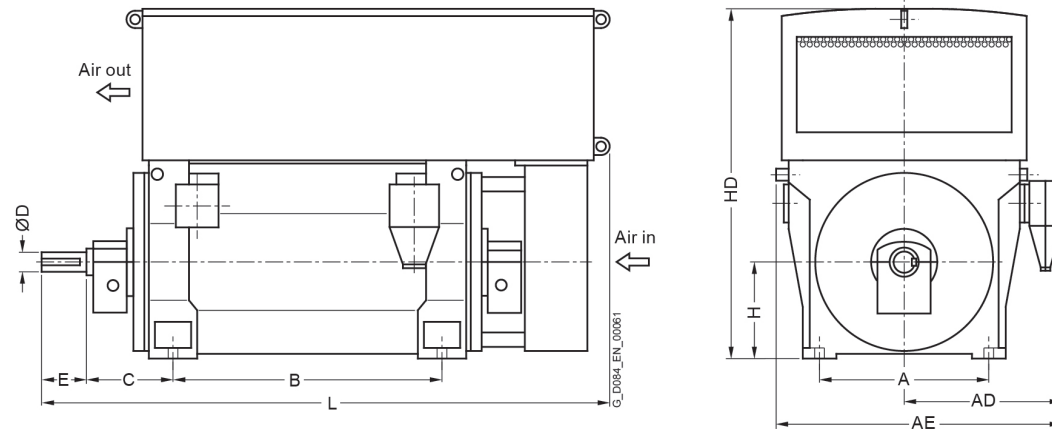


Motor type	Weight	Dimensions												
		A	AD	AE	B	C	D	E	H	HD	L	ML		
	kg	mm	mm	mm	mm	mm	mm	mm	mm	mm	mm	mm	mm	
Innomotics HV M - 1SG. IC611 11000 V / 50 Hz B3 (IM 1001) - Dimension drawings														
1SG7 458-8JA90-0CC0	6000	850	1140	1760	1400	500	130	200	450	1900	3180	200		
1SG7 501-8JA90-0AA0	5700	950	1220	1920	1320	315	160	240	500	2210	3060	250		
1SG7 501-8JA90-0AC0	5700	950	1220	1920	1320	560	170	240	500	2210	3300	250		
1SG7 501-8JA90-0CA0	5900	950	1220	1920	1320	315	160	240	500	2210	3060	250		
1SG7 501-8JA90-0CC0	5900	950	1220	1920	1320	560	170	240	500	2210	3300	250		
1SG7 502-8JA90-0AA0	6500	950	1220	1920	1320	315	160	240	500	2210	3060	250		
1SG7 502-8JA90-0AC0	6500	950	1220	1920	1320	560	170	240	500	2210	3300	250		
1SG7 502-8JA90-0CA0	6700	950	1220	1920	1320	315	160	240	500	2210	3060	250		
1SG7 502-8JA90-0CC0	6700	950	1220	1920	1320	560	170	240	500	2210	3300	250		
1SG7 503-8JA90-0AA0	6750	950	1220	1920	1320	315	160	240	500	2210	3060	250		
1SG7 503-8JA90-0AC0	6750	950	1220	1920	1320	560	170	240	500	2210	3300	250		
1SG7 507-8JA90-0AA0	7700	950	1220	1920	1500	315	160	240	500	2210	3270	250		
1SG7 507-8JA90-0AC0	7750	950	1220	1920	1500	560	170	240	500	2210	3510	250		
1SG7 507-8JA90-0CA0	7950	950	1220	1920	1500	315	160	240	500	2210	3270	250		
1SG7 507-8JA90-0CC0	8000	950	1220	1920	1500	560	170	240	500	2210	3510	250		
1SG7 508-8JA90-0AA0	8050	950	1220	1920	1500	315	160	240	500	2210	3270	250		
1SG7 508-8JA90-0AC0	8050	950	1220	1920	1500	560	170	240	500	2210	3510	250		
1SG7 508-8JA90-0CA0	8300	950	1220	1920	1500	315	160	240	500	2210	3270	250		
1SG7 508-8JA90-0CC0	8350	950	1220	1920	1500	560	170	240	500	2210	3510	250		
1SG7 563-8JA90-0CA0	8850	1060	1290	2060	1400	335	190	280	560	2330	3260	300		
1SG7 563-8JA90-0CC0	8900	1060	1290	2060	1400	600	190	280	560	2330	3530	300		
1SG7 564-8JA90-0CA0	9300	1060	1290	2060	1400	335	190	280	560	2330	3260	300		
1SG7 564-8JA90-0CC0	9350	1060	1290	2060	1400	600	190	280	560	2330	3530	300		



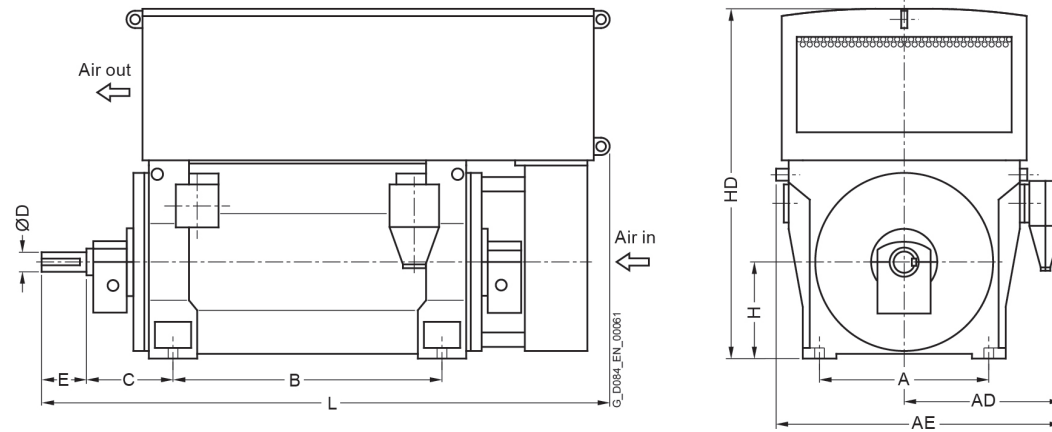
Motor type	Weight	Dimensions												
		A	AD	AE	B	C	D	E	H	HD	L	ML		
	kg	mm	mm	mm	mm	mm	mm	mm	mm	mm	mm	mm	mm	
Innomotics HV M - 1SG. IC611 11000 V / 50 Hz B3 (IM 1001) - Dimension drawings														
1SG7 567-8JA90-0CA0	10200	1060	1290	2060	1600	335	190	280	560	2330	3490	300		
1SG7 567-8JA90-0CC0	10250	1060	1290	2060	1600	600	190	280	560	2330	3760	300		
1SG7 568-8JA90-0CA0	10700	1060	1290	2060	1600	335	190	280	560	2330	3490	300		
1SG7 568-8JA90-0CC0	10750	1060	1290	2060	1600	600	190	280	560	2330	3760	300		
1SG8 634-8JA90-0CG0	11400	1320	1520	2520	1600	375	200	280	630	2570	3530	350		
1SG8 634-8JA90-0CJ0	11500	1320	1520	2520	1600	630	200	280	630	2570	3790	350		
1SG8 637-8JA90-0CG0	12650	1320	1520	2520	1800	375	200	280	630	2570	3730	350		
1SG8 637-8JA90-0CJ0	12700	1320	1520	2520	1800	630	200	280	630	2570	3990	350		
1SG8 638-8JA90-0CG0	13350	1320	1520	2520	1800	375	200	280	630	2570	3730	350		
1SG8 638-8JA90-0CJ0	13450	1320	1520	2520	1800	630	200	280	630	2570	3990	350		
1SG8 712-8JA90-0CG0	14950	1500	1620	2720	2000	375	220	280	710	3090	3980	400		
1SG8 712-8JA90-0CJ0	15100	1500	1620	2720	2000	630	220	280	710	3090	4230	400		
1SG8 713-8JA90-0CG0	15750	1500	1620	2720	2000	375	220	280	710	3090	3980	400		
1SG8 713-8JA90-0CJ0	15900	1500	1620	2720	2000	630	220	280	710	3090	4230	400		
1SG8 714-8JA90-0CG0	16850	1500	1620	2720	2000	375	220	280	710	3090	3980	400		
1SG8 714-8JA90-0CJ0	17000	1500	1620	2720	2000	630	220	280	710	3090	4230	400		
1SG8 717-8JA90-0CG0	18450	1500	1620	2720	2240	375	220	280	710	3090	4220	400		
1SG8 717-8JA90-0CJ0	18650	1500	1620	2720	2240	630	220	280	710	3090	4470	400		
1SG8 718-8JA90-0CG0	19500	1500	1620	2720	2240	375	220	280	710	3090	4220	400		
1SG8 718-8JA90-0CJ0	19700	1500	1620	2720	2240	630	220	280	710	3090	4470	400		

Innomotics HV M - 1SG. IC611 13800 V / 60 Hz B3 (IM 1001)																			
Rated power IEC	Article No.	Speed	Rated current I_R	Efficiency				Power factor				Torque T_R	Breakdown torque T_B/ T_R	Locked rotor torque T_{LR}/ T_R	Locked rotor current I_{LR}/ I_R	Inertia			
				5/4 load	4/4 load	3/4 load	2/4 load	5/4 load	4/4 load	3/4 load	2/4 load					rotor	external	Startup max T/TR	
kW		rpm	A	%	%	%	%	$\cos \varphi$	$\cos \varphi$	$\cos \varphi$	$\cos \varphi$	Nm	[-]	[-]	[-]	kgm ²	kgm ²	[-]	
2-pole: $n_{sync} = 3600$ rpm at 60 Hz																			
4800	1SG8 633-2JA20-0CJ0	3587	235	95.7	95.8	94.9	93.1	0.89	0.90	0.90	0.87	12779	2.50	0.65	6.0	82	220	o.r.	
5900	1SG8 637-2JA20-0CJ0	3588	280	96.2	96.2	95.5	93.9	0.90	0.91	0.91	0.88	15703	2.60	0.60	6.0	98	240	o.r.	
7400	1SG8 714-2JA20-0CJ0	3589	355	96.1	95.9	95.2	93.5	0.90	0.91	0.91	0.89	19689	2.40	0.60	6.0	172	170	o.r.	
8500	1SG8 717-2JA20-0CJ0	3589	405	96.3	96.2	95.5	93.9	0.90	0.91	0.91	0.90	22616	2.50	0.55	6.0	200	180	o.r.	
4-pole: $n_{sync} = 1800$ rpm at 60 Hz																			
4950	1SG8 633-4JA20-0C.0	1792	240	96.2	96.3	96.0	94.9	0.89	0.90	0.88	0.84	26378	2.55	0.55	6.0	150	600	o.r.	
5700	1SG8 637-4JA20-0C.0	1792	270	96.4	96.6	96.4	95.4	0.89	0.91	0.90	0.88	30374	2.50	0.60	6.0	182	730	o.r.	
7250	1SG8 713-4JA20-0C.0	1793	345	96.6	96.8	96.6	95.7	0.89	0.91	0.90	0.87	38613	2.60	0.45	6.0	282	680	o.r.	
8800	1SG8 717-4JA20-0C.0	1793	415	96.9	97.0	96.9	96.2	0.90	0.91	0.91	0.88	46868	2.60	0.45	6.0	344	970	o.r.	
6-pole: $n_{sync} = 1200$ rpm at 60 Hz																			
4000	1SG8 633-6JA20-0C.0	1193	198	95.9	96.2	96.1	95.3	0.86	0.88	0.85	0.79	32018	2.40	0.55	5.5	209	1060	o.r.	
4850	1SG8 637-6JA20-0C.0	1193	240	96.3	96.5	96.4	95.6	0.86	0.88	0.85	0.79	38822	2.40	0.55	5.5	246	1560	o.r.	
6800	1SG8 714-6JA20-0C.0	1195	335	96.8	97.0	97.0	96.4	0.87	0.88	0.86	0.81	54339	2.40	0.50	5.5	421	1830	o.r.	
7500	1SG8 717-6JA20-0C.0	1195	365	96.9	97.2	97.1	96.5	0.87	0.88	0.87	0.82	59933	2.40	0.50	5.5	475	2090	o.r.	

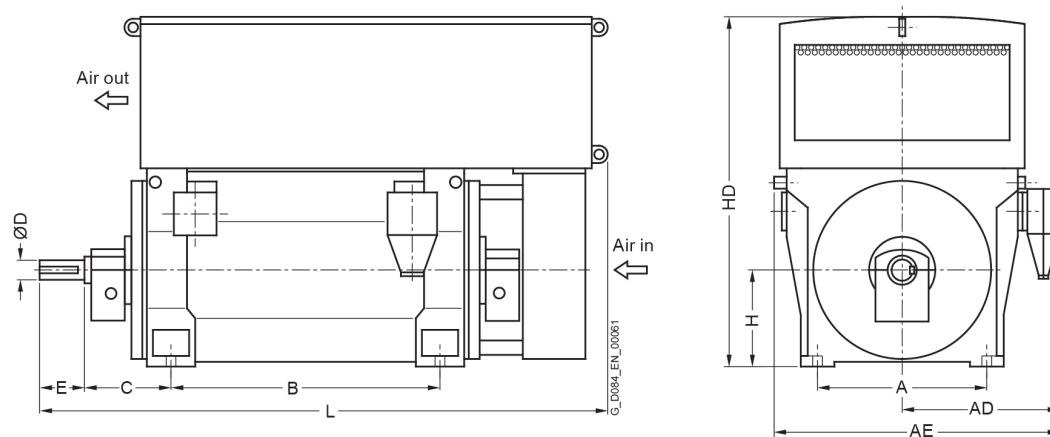


Motor type	Weight kg	Dimensions										
		A mm	AD mm	AE mm	B mm	C mm	D mm	E mm	H mm	HD mm	L mm	ML mm
Innomotics HV M - 1SG. IC611 13800 V / 60 Hz B3 (IM 1001) - Dimension drawings												
2-pole												
1SG8 633-2JA20-0CJ0	10400	1320	1647	2647	1600	560	160	240	630	2710	3680	350
1SG8 637-2JA20-0CJ0	11750	1320	1647	2647	1800	560	160	240	630	2710	3880	350
1SG8 714-2JA20-0CJ0	15500	1500	1747	2847	2000	560	180	240	710	3090	4400	400
1SG8 717-2JA20-0CJ0	17350	1500	1747	2847	2240	560	180	240	710	3090	4640	400
4-pole												
1SG8 633-4JA20-0CG0	11100	1320	1647	2647	1600	375	200	280	630	2710	3530	350
1SG8 633-4JA20-0CJ0	11200	1320	1647	2647	1600	630	200	280	630	2710	3790	350
1SG8 637-4JA20-0CG0	12500	1320	1647	2647	1800	375	200	280	630	2710	3730	350
1SG8 637-4JA20-0CJ0	12600	1320	1647	2647	1800	630	200	280	630	2710	3990	350
1SG8 713-4JA20-0CG0	15750	1500	1747	2847	2000	375	220	280	710	3090	3980	400
1SG8 713-4JA20-0CJ0	15900	1500	1747	2847	2000	630	220	280	710	3090	4230	400
1SG8 717-4JA20-0CG0	17950	1500	1747	2847	2240	375	220	280	710	3090	4220	400
1SG8 717-4JA20-0CJ0	18050	1500	1747	2847	2240	630	220	280	710	3090	4470	400
6-pole												
1SG8 633-6JA20-0CG0	11600	1320	1647	2647	1600	375	200	280	630	2710	3530	350
1SG8 633-6JA20-0CJ0	11650	1320	1647	2647	1600	630	200	280	630	2710	3790	350
1SG8 637-6JA20-0CG0	12950	1320	1647	2647	1800	375	200	280	630	2710	3730	350
1SG8 637-6JA20-0CJ0	13000	1320	1647	2647	1800	630	200	280	630	2710	3990	350
1SG8 714-6JA20-0CG0	17100	1500	1747	2847	2000	375	220	280	710	3090	3980	400
1SG8 714-6JA20-0CJ0	17200	1500	1747	2847	2000	630	220	280	710	3090	4230	400
1SG8 717-6JA20-0CG0	18650	1500	1747	2847	2240	375	220	280	710	3090	4220	400
1SG8 717-6JA20-0CJ0	18750	1500	1747	2847	2240	630	220	280	710	3090	4470	400

Innomotics HV M - 1SE. IC611 6000 V / 50 Hz B3 (IM 1001)																		
Rated power IEC	Article No.	Speed	Rated current I_R	Efficiency				Power factor				Torque T_R	Breakdown torque T_B/ T_R	Locked rotor torque T_{LR}/ T_R	Locked rotor current I_{LR}/ I_R	Inertia		
				5/4 load	4/4 load	3/4 load	2/4 load	5/4 load	4/4 load	3/4 load	2/4 load					motor	external	Startup max T/TR
kW		rpm	A	%	%	%	%	cos φ	cos φ	cos φ	cos φ	Nm	[-]	[-]	[-]	kgm ²	kgm ²	[-]
2-pole: $n_{sync} = 3000$ rpm at 50 Hz																		
6200	1SE8 633-2JA60-0CJ0	2983	690	96.4	96.8	96.5	95.7	0.87	0.89	0.93	0.93	19848	2.15	0.55	4.9	82	240	o.r.
6800	1SE8 634-2JA60-0CJ0	2984	750	96.6	96.9	96.7	95.9	0.88	0.90	0.93	0.93	21761	2.30	0.60	5.2	90	250	o.r.
7500	1SE8 637-2JA60-0CJ0	2985	820	96.8	97.1	96.9	96.1	0.89	0.91	0.94	0.94	23993	2.45	0.65	5.6	99	260	o.r.
8300	1SE8 638-2JA60-0CJ0	2985	900	97.0	97.2	97.0	96.3	0.90	0.91	0.94	0.94	26552	2.50	0.70	5.6	108	250	o.r.
4-pole: $n_{sync} = 1500$ rpm at 50 Hz																		
6900	1SE8 637-4JA60-0C.0	1492	760	97.1	97.4	97.5	97.3	0.89	0.90	0.89	0.85	44162	2.45	0.60	5.7	182	780	o.r.
6-pole: $n_{sync} = 1000$ rpm at 50 Hz																		
4500	1SE8 632-6JA60-0C.2	993	520	96.4	96.8	97.0	96.6	0.85	0.86	0.83	0.75	43275	2.30	0.65	5.0	193	2110	o.r.
4650	1SE8 633-6JA60-0C.0	993	530	96.4	96.9	97.0	96.7	0.85	0.87	0.84	0.77	44717	2.30	0.65	5.1	209	2400	o.r.
5350	1SE8 634-6JA60-0C.0	993	620	96.5	97.0	97.1	96.8	0.85	0.86	0.84	0.77	51449	2.25	0.55	4.9	227	2420	o.r.
5700	1SE8 637-6JA60-0C.0	993	650	96.6	97.0	97.2	96.9	0.85	0.87	0.84	0.78	54815	2.25	0.60	5.0	247	2740	o.r.
6200	1SE8 638-6JA60-0C.0	993	710	96.7	97.1	97.3	97.0	0.85	0.87	0.84	0.78	59623	2.25	0.60	5.0	265	2900	o.r.
8-pole: $n_{sync} = 750$ rpm at 50 Hz																		
3400	1SE8 634-8JA60-0C.0	744	395	95.7	96.2	96.2	95.8	0.85	0.86	0.82	0.73	43639	2.20	0.50	4.7	251	4800	o.r.
4000	1SE8 637-8JA60-0C.2	744	470	96.1	96.5	96.4	96.0	0.85	0.85	0.81	0.72	51340	2.30	0.55	5.0	292	6470	o.r.
4400	1SE8 638-8JA60-0C.0	744	510	96.2	96.6	96.6	96.2	0.86	0.86	0.82	0.74	56474	2.30	0.55	5.0	326	7130	o.r.

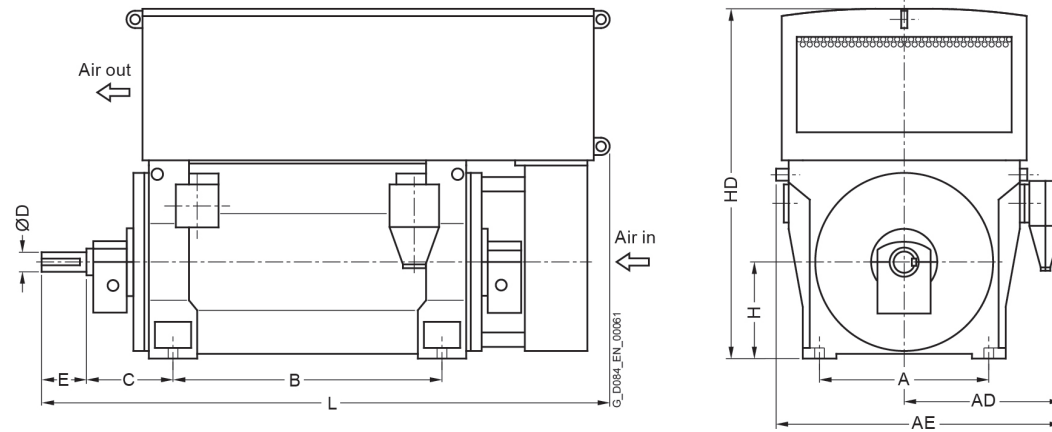


Motor type	Weight	Dimensions												
		A	AD	AE	B	C	D	E	H	HD	L	ML		
	kg	mm	mm	mm	mm	mm	mm	mm	mm	mm	mm	mm	mm	
Innomotics HV M - 1SE. IC611 6000 V / 50 Hz B3 (IM 1001) - Dimension drawings														
2-pole														
1SE8 633-2JA60-0CJ0	10600	1320	1520	2520	1600	560	160	240	630	2710	3670	350		
1SE8 634-2JA60-0CJ0	11100	1320	1520	2520	1600	560	160	240	630	2710	3670	350		
1SE8 637-2JA60-0CJ0	12000	1320	1520	2520	1800	560	160	240	630	2710	3870	350		
1SE8 638-2JA60-0CJ0	12600	1320	1520	2520	1800	560	160	240	630	2710	3870	350		
4-pole														
1SE8 637-4JA60-0CG0	12600	1320	1520	2520	1800	375	200	280	630	2710	3730	350		
1SE8 637-4JA60-0CJ0	12750	1320	1520	2520	1800	630	200	280	630	2710	3980	350		
6-pole														
1SE8 632-6JA60-0CG2	11350	1320	1520	2520	1600	375	200	280	630	2710	3530	350		
1SE8 632-6JA60-0CJ2	11400	1320	1520	2520	1600	630	200	280	630	2710	3780	350		
1SE8 633-6JA60-0CG0	11700	1320	1520	2520	1600	375	200	280	630	2710	3530	350		
1SE8 633-6JA60-0CJ0	11800	1320	1520	2520	1600	630	200	280	630	2710	3780	350		
1SE8 634-6JA60-0CG0	12350	1320	1520	2520	1600	375	200	280	630	2710	3530	350		
1SE8 634-6JA60-0CJ0	12400	1320	1520	2520	1600	630	200	280	630	2710	3780	350		
1SE8 637-6JA60-0CG0	13100	1320	1520	2520	1800	375	200	280	630	2710	3730	350		
1SE8 637-6JA60-0CJ0	13150	1320	1520	2520	1800	630	200	280	630	2710	3980	350		
1SE8 638-6JA60-0CG0	13650	1320	1520	2520	1800	375	200	280	630	2710	3730	350		
1SE8 638-6JA60-0CJ0	13750	1320	1520	2520	1800	630	200	280	630	2710	3980	350		
8-pole														
1SE8 634-8JA60-0CG0	11350	1320	1520	2520	1600	375	200	280	630	2710	3530	350		
1SE8 634-8JA60-0CJ0	11400	1320	1520	2520	1600	630	200	280	630	2710	3780	350		
1SE8 637-8JA60-0CG2	12550	1320	1520	2520	1800	375	200	280	630	2710	3730	350		

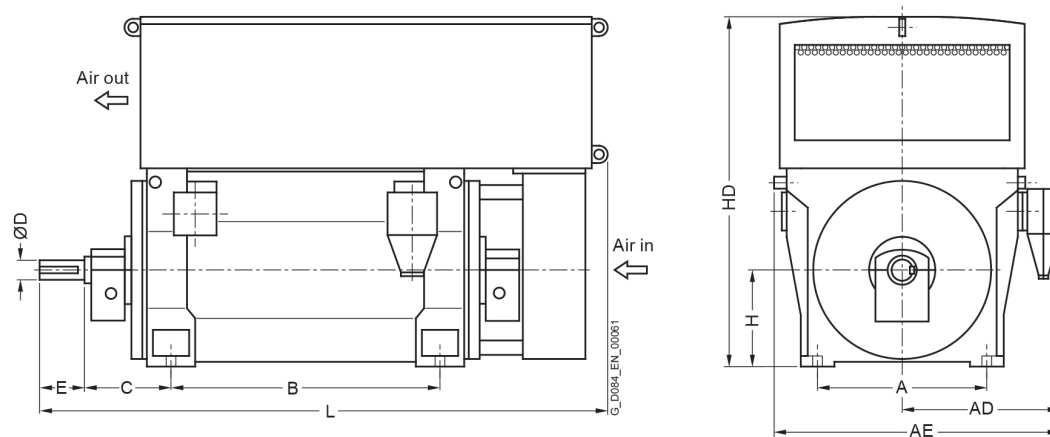


Motor type	Weight	Dimensions										
		A	AD	AE	B	C	D	E	H	HD	L	ML
	kg	mm	mm	mm	mm	mm	mm	mm	mm	mm	mm	mm
Innomotics HV M - 1SE. IC611 6000 V / 50 Hz B3 (IM 1001) - Dimension drawings												
1SE8 637-8JA60-0CJ2	12600	1320	1520	2520	1800	630	200	280	630	2710	3980	350
1SE8 638-8JA60-0CG0	13300	1320	1520	2520	1800	375	200	280	630	2710	3730	350
1SE8 638-8JA60-0CJ0	13350	1320	1520	2520	1800	630	200	280	630	2710	3980	350

Innomotics HV M - 1SE. IC611 10000 V / 50 Hz B3 (IM 1001)																			
Rated power IEC	Article No.	Speed	Rated current I_R	Efficiency				Power factor				Torque T_R	Breakdown torque T_B/ T_R	Locked rotor torque T_{LR}/ T_R	Locked rotor current I_{LR}/ I_R	Inertia			
				5/4 load	4/4 load	3/4 load	2/4 load	5/4 load	4/4 load	3/4 load	2/4 load					motor	external	Startup max T/TR	
kW		rpm	A	%	%	%	%	cos φ	cos φ	cos φ	cos φ	Nm	[-]	[-]	[-]	kgm ²	kgm ²	[-]	
2-pole: $n_{sync} = 3000$ rpm at 50 Hz																			
5800	1SE8 633-2JA80-0CJ0	2984	390	96.4	96.7	96.4	95.6	0.87	0.89	0.93	0.93	18561	2.15	0.60	5.0	82	280	o.r.	
6500	1SE8 634-2JA80-0CJ0	2984	430	96.5	96.8	96.6	95.8	0.87	0.90	0.93	0.93	20801	2.20	0.60	5.0	90	270	o.r.	
6900	1SE8 637-2JA80-0CJ0	2986	450	96.7	97.0	96.7	95.8	0.90	0.91	0.94	0.93	22066	2.60	0.70	6.0	99	290	o.r.	
7550	1SE8 638-2JA80-0CJ0	2986	490	96.9	97.1	96.9	96.1	0.90	0.92	0.94	0.94	24145	2.60	0.70	6.0	108	300	o.r.	
4-pole: $n_{sync} = 1500$ rpm at 50 Hz																			
6600	1SE8 637-4JA80-0C.0	1492	440	97.0	97.4	97.4	97.1	0.88	0.89	0.88	0.83	42242	2.55	0.60	5.9	182	860	o.r.	
7300	1SE8 638-4JA80-0C.0	1492	480	97.2	97.5	97.5	97.2	0.89	0.90	0.88	0.83	46722	2.65	0.70	6.2	198	900	o.r.	
6-pole: $n_{sync} = 1000$ rpm at 50 Hz																			
4500	1SE8 633-6JA80-0C.2	993	310	96.3	96.8	97.0	96.6	0.85	0.87	0.84	0.77	43275	2.25	0.60	5.0	209	2540	o.r.	
4800	1SE8 634-6JA80-0C.0	993	330	96.5	96.9	97.1	96.7	0.86	0.87	0.84	0.78	46160	2.30	0.60	5.1	227	2860	o.r.	
5250	1SE8 637-6JA80-0C.0	993	360	96.5	97.0	97.1	96.8	0.86	0.87	0.85	0.78	50487	2.30	0.60	5.2	247	3130	o.r.	
5700	1SE8 638-6JA80-0C.0	994	390	96.7	97.1	97.2	96.8	0.86	0.87	0.83	0.75	54760	2.55	0.70	5.6	265	3320	o.r.	
8-pole: $n_{sync} = 750$ rpm at 50 Hz																			
3400	1SE8 634-8JA80-0C.0	743	240	95.7	96.2	96.2	95.9	0.85	0.85	0.82	0.74	43698	2.10	0.45	4.6	251	4710	o.r.	
3700	1SE8 637-8JA80-0C.0	745	260	96.1	96.4	96.3	95.8	0.86	0.85	0.80	0.70	47426	2.50	0.55	5.4	292	6290	o.r.	
4000	1SE8 638-8JA80-0C.2	745	280	96.2	96.5	96.4	95.8	0.86	0.85	0.80	0.69	51271	2.60	0.60	5.6	326	7210	o.r.	



Motor type	Weight	Dimensions											
		A	AD	AE	B	C	D	E	H	HD	L	ML	
	kg	mm	mm	mm	mm	mm	mm	mm	mm	mm	mm	mm	mm
Innomotics HV M - 1SE. IC611 10000 V / 50 Hz B3 (IM 1001) - Dimension drawings													
2-pole													
1SE8 633-2JA80-0CJ0	10500	1320	1520	2520	1600	560	160	240	630	2710	3670	350	
1SE8 634-2JA80-0CJ0	10950	1320	1520	2520	1600	560	160	240	630	2710	3670	350	
1SE8 637-2JA80-0CJ0	11750	1320	1520	2520	1800	560	160	240	630	2710	3870	350	
1SE8 638-2JA80-0CJ0	12400	1320	1520	2520	1800	560	160	240	630	2710	3870	350	
4-pole													
1SE8 637-4JA80-0CG0	12550	1320	1520	2520	1800	375	200	280	630	2710	3730	350	
1SE8 637-4JA80-0CJ0	12650	1320	1520	2520	1800	630	200	280	630	2710	3980	350	
1SE8 638-4JA80-0CG0	13150	1320	1520	2520	1800	375	200	280	630	2710	3730	350	
1SE8 638-4JA80-0CJ0	13250	1320	1520	2520	1800	630	200	280	630	2710	3980	350	
6-pole													
1SE8 633-6JA80-0CG2	11700	1320	1520	2520	1600	375	200	280	630	2710	3530	350	
1SE8 633-6JA80-0CJ2	11750	1320	1520	2520	1600	630	200	280	630	2710	3780	350	
1SE8 634-6JA80-0CG0	12200	1320	1520	2520	1600	375	200	280	630	2710	3530	350	
1SE8 634-6JA80-0CJ0	12300	1320	1520	2520	1600	630	200	280	630	2710	3780	350	
1SE8 637-6JA80-0CG0	12950	1320	1520	2520	1800	375	200	280	630	2710	3730	350	
1SE8 637-6JA80-0CJ0	13050	1320	1520	2520	1800	630	200	280	630	2710	3980	350	
1SE8 638-6JA80-0CG0	13500	1320	1520	2520	1800	375	200	280	630	2710	3730	350	
1SE8 638-6JA80-0CJ0	13550	1320	1520	2520	1800	630	200	280	630	2710	3980	350	
8-pole													
1SE8 634-8JA80-0CG0	11350	1320	1520	2520	1600	375	200	280	630	2710	3530	350	
1SE8 634-8JA80-0CJ0	11400	1320	1520	2520	1600	630	200	280	630	2710	3780	350	
1SE8 637-8JA80-0CG0	12500	1320	1520	2520	1800	375	200	280	630	2710	3730	350	



Motor type	Weight	Dimensions										
		A	AD	AE	B	C	D	E	H	HD	L	ML
	kg	mm	mm	mm	mm	mm	mm	mm	mm	mm	mm	mm
Innomotics HV M - 1SE. IC611 10000 V / 50 Hz B3 (IM 1001) - Dimension drawings												
1SE8 637-8JA80-0CJ0	12550	1320	1520	2520	1800	630	200	280	630	2710	3980	350
1SE8 638-8JA80-0CG2	13200	1320	1520	2520	1800	375	200	280	630	2710	3730	350
1SE8 638-8JA80-0CJ2	13250	1320	1520	2520	1800	630	200	280	630	2710	3980	350

Innomotics HV M - 1SG. IC616 6000 V / 50 Hz B3 (IM 1001)																		
Rated power IEC	Article No.	Speed	Rated current I_R	Efficiency				Power factor				Torque T_R	Breakdown torque T_B/ T_R	Locked torque T_{LR}/ T_R	Locked rotor current I_{LR}/ I_R	Inertia		
				5/4 load	4/4 load	3/4 load	2/4 load	5/4 load	4/4 load	3/4 load	2/4 load					motor	external	Startup max T/TR
kW		rpm	A	%	%	%	%	cos φ	cos φ	cos φ	cos φ	Nm	[-]	[-]	[-]	kgm ²	kgm ²	[-]
2-pole: $n_{sync} = 3000$ rpm at 50 Hz																		
1410	1SG7 453-2KA60-0A.2	2978	158	95.5	95.9	96.1	95.5	0.88	0.89	0.88	0.84	4525	2.40	0.55	5.5	10	55	o.r.
1440	1SG7 453-2KA60-0C.2	2976	162	95.4	96.0	96.2	95.8	0.87	0.89	0.89	0.86	4625	2.15	0.55	4.7	14	135	o.r.
1600	1SG7 454-2KA60-0A.2	2978	180	95.6	96.0	96.1	95.5	0.88	0.89	0.88	0.83	5133	2.40	0.55	5.5	11	55	o.r.
1600	1SG7 454-2KA60-0C.2	2978	178	95.6	96.1	96.1	95.5	0.88	0.90	0.89	0.85	5131	2.45	0.60	5.4	15	135	o.r.
1800	1SG7 457-2KA60-0A.2	2976	200	95.6	96.1	96.4	96.1	0.88	0.90	0.90	0.87	5778	2.40	0.55	5.5	12	55	o.r.
1800	1SG7 457-2KA60-0C.2	2978	200	95.7	96.2	96.3	95.9	0.90	0.90	0.90	0.87	5774	2.50	0.65	5.5	16	135	o.r.
2000	1SG7 458-2KA60-0A.2	2976	220	95.9	96.3	96.5	96.1	0.89	0.90	0.90	0.86	6419	2.50	0.60	5.6	13	60	o.r.
2000	1SG7 458-2KA60-0C.2	2978	220	95.9	96.4	96.6	96.1	0.89	0.90	0.90	0.87	6416	2.50	0.65	5.5	18	140	o.r.
2120	1SG7 503-2KA60-0A.2	2970	240	95.7	96.2	96.4	96.2	0.88	0.89	0.88	0.84	6817	2.50	0.65	4.9	15	44	o.r.
2200	1SG7 503-2KA60-0C.2	2975	245	95.9	96.4	96.6	96.3	0.88	0.89	0.89	0.86	7065	2.35	0.65	4.6	20	120	o.r.
2160	1SG7 504-2KA60-0A.2	2971	240	95.9	96.3	96.5	96.2	0.89	0.90	0.88	0.84	6941	2.65	0.60	5.2	15	52	o.r.
2260	1SG7 504-2KA60-0C.2	2975	250	96.0	96.4	96.6	96.4	0.89	0.90	0.90	0.85	7255	2.50	0.65	4.8	21	124	o.r.
2510	1SG7 507-2KA60-0A.2	2973	280	96.2	96.6	96.8	96.5	0.90	0.90	0.89	0.84	8061	2.75	0.75	5.6	18	58	o.r.
2630	1SG7 507-2KA60-0C.2	2977	290	96.3	96.7	96.9	96.6	0.90	0.91	0.90	0.86	8437	2.60	0.75	5.1	24	128	o.r.
2700	1SG7 508-2KA60-0A.2	2975	295	96.4	96.8	96.9	96.7	0.91	0.91	0.90	0.85	8664	2.95	0.85	6.1	20	72	o.r.
2840	1SG7 508-2KA60-0C.2	2979	305	96.5	96.9	97.0	96.8	0.91	0.92	0.91	0.87	9105	2.75	0.85	5.6	27	144	o.r.
3200	1SG7 562-2KA60-0CC2	2984	350	96.3	96.4	96.3	95.6	0.91	0.91	0.90	0.86	10247	2.55	0.70	5.8	41	260	o.r.
3550	1SG7 563-2KA60-0CC2	2984	390	96.5	96.6	96.5	95.8	0.90	0.91	0.90	0.86	11367	2.55	0.65	5.7	44	270	o.r.
4000	1SG7 564-2KA60-0CC2	2983	440	96.4	96.5	96.3	95.6	0.91	0.91	0.91	0.87	12814	2.45	0.65	5.5	47	275	o.r.
4500	1SG7 567-2KA60-0CC2	2984	485	96.6	96.7	96.5	95.8	0.92	0.92	0.91	0.87	14407	2.60	0.65	5.9	52	275	o.r.
5000	1SG7 568-2KA60-0CC2	2986	540	96.9	96.8	96.7	95.9	0.92	0.92	0.90	0.86	15993	2.85	0.65	5.9	58	295	o.r.
5600	1SG8 633-2KA60-0CJ0	2983	630	96.4	96.7	96.4	95.5	0.87	0.89	0.90	0.88	17927	2.20	0.60	5.2	82	250	o.r.
6100	1SG8 634-2KA60-0CJ0	2983	670	96.5	96.9	96.6	95.8	0.88	0.90	0.90	0.89	19528	2.20	0.60	5.2	90	250	o.r.
6750	1SG8 637-2KA60-0CJ0	2984	740	96.8	97.1	96.8	96.0	0.89	0.91	0.91	0.90	21601	2.35	0.65	5.5	99	260	o.r.
7300	1SG8 638-2KA60-0CJ0	2985	790	96.9	97.2	96.9	96.1	0.90	0.91	0.91	0.89	23353	2.50	0.65	5.9	107	270	o.r.
7950	1SG8 712-2KA60-0CJ0	2986	890	96.6	96.7	96.5	95.6	0.86	0.89	0.89	0.88	25424	2.00	0.55	4.7	149	190	o.r.
8550	1SG8 713-2KA60-0CJ0	2987	940	96.7	96.9	96.6	95.7	0.87	0.90	0.90	0.88	27334	2.15	0.60	5.1	160	149	o.r.
8800	1SG8 714-2KA60-0CJ0	2988	970	96.8	96.9	96.6	95.7	0.88	0.90	0.90	0.88	28124	2.25	0.45	5.2	172	240	o.r.
9100	1SG8 716-2KA60-0CJ0	2985	990	96.8	97.0	96.8	96.1	0.88	0.91	0.92	0.92	29112	2.05	0.55	4.8	186	210	o.r.
10100	1SG8 717-2KA60-0CJ0	2986	1100	97.0	97.2	97.0	96.4	0.88	0.91	0.92	0.91	32300	2.05	0.55	4.9	201	220	o.r.
11000	1SG8 718-2KA60-0CJ0	2988	1180	97.3	97.4	97.1	96.4	0.90	0.92	0.91	0.90	35155	2.25	0.50	5.4	217	250	o.r.
4-pole: $n_{sync} = 1500$ rpm at 50 Hz																		
1320	1SG7 453-4KA60-0A.2	1483	150	95.0	95.7	95.8	95.6	0.87	0.88	0.86	0.80	8504	2.50	0.70	5.7	17	275	o.r.
1400	1SG7 453-4KA60-0C.2	1486	160	95.2	95.8	96.0	95.8	0.87	0.88	0.87	0.82	9008	2.25	0.50	5.0	23	500	o.r.
1430	1SG7 454-4KA60-0A.0	1484	166	95.1	95.7	95.9	95.6	0.87	0.87	0.83	0.74	9206	2.70	0.85	5.9	19	325	o.r.
1600	1SG7 454-4KA60-0C.2	1486	182	95.4	96.0	96.2	95.9	0.87	0.88	0.86	0.80	10288	2.35	0.50	5.0	26	535	o.r.

Innomotics HV M - 1SG. IC616 6000 V / 50 Hz B3 (IM 1001)																		
Rated power IEC	Article No.	Speed	Rated current I_R	Efficiency				Power factor				Torque T_R	Breakdown torque T_B/ T_R	Locked rotor torque T_{LR}/ T_R	Locked rotor current I_{LR}/ I_R	Inertia		
				5/4 load	4/4 load	3/4 load	2/4 load	5/4 load	4/4 load	3/4 load	2/4 load					motor	external	Startup max T/TR
kW		rpm	A	%	%	%	%	$\cos \varphi$	$\cos \varphi$	$\cos \varphi$	$\cos \varphi$	Nm	[-]	[-]	[-]	kgm ²	kgm ²	[-]
1800	1SG7 457-4KA60-0C.2	1488	205	95.9	96.3	96.4	96.1	0.88	0.88	0.86	0.79	11554	2.65	0.60	6.0	30	690	o.r.
1660	1SG7 457-4KA60-0A.2	1484	184	95.5	96.1	96.3	96.1	0.89	0.90	0.88	0.83	10686	2.65	0.80	5.8	22	375	o.r.
2000	1SG7 458-4KA60-0C.2	1489	225	96.0	96.4	96.5	96.2	0.88	0.88	0.86	0.78	12833	2.75	0.60	6.0	33	730	o.r.
1800	1SG7 458-4KA60-0A.2	1485	200	95.7	96.2	96.4	96.2	0.89	0.90	0.88	0.83	11581	2.75	0.85	6.0	24	410	o.r.
2170	1SG7 503-4KA60-0C.2	1488	245	96.0	96.4	96.6	96.2	0.89	0.89	0.87	0.82	13931	2.55	0.65	5.2	45	690	o.r.
2100	1SG7 503-4KA60-0A.2	1485	235	95.7	96.3	96.6	96.3	0.88	0.90	0.89	0.85	13517	2.30	0.80	5.1	37	560	o.r.
2370	1SG7 504-4KA60-0C.2	1489	260	96.2	96.6	96.7	96.3	0.89	0.90	0.87	0.82	15207	2.60	0.70	5.5	50	735	o.r.
2240	1SG7 504-4KA60-0A.2	1485	250	95.8	96.4	96.7	96.4	0.89	0.90	0.89	0.86	14412	2.40	0.90	5.4	40	605	o.r.
2650	1SG7 507-4KA60-0C.2	1490	295	96.4	96.7	96.9	96.4	0.89	0.90	0.87	0.82	16997	2.60	0.70	5.5	56	825	o.r.
2470	1SG7 507-4KA60-0A.2	1485	270	96.0	96.5	96.8	96.6	0.89	0.91	0.90	0.87	15890	2.50	0.95	5.6	46	675	o.r.
2880	1SG7 508-4KA60-0C.2	1491	320	96.5	96.8	96.9	96.5	0.89	0.89	0.87	0.81	18460	2.90	0.75	6.0	62	865	o.r.
2700	1SG7 508-4KA60-0A.2	1488	300	96.2	96.7	97.0	96.8	0.89	0.90	0.90	0.87	17368	2.45	0.90	5.6	50	795	o.r.
3150	1SG7 563-4KA60-0C.2	1491	355	96.6	96.9	97.1	96.8	0.88	0.88	0.87	0.83	20188	2.35	0.65	5.6	80	680	o.r.
3600	1SG7 564-4KA60-0C.2	1490	401	96.6	97.0	97.2	97.0	0.88	0.89	0.89	0.86	23090	2.20	0.60	5.2	90	780	o.r.
4100	1SG7 566-4KA60-0C.2	1490	451	96.7	97.1	97.3	97.2	0.88	0.90	0.90	0.87	26297	2.20	0.70	5.3	100	780	o.r.
4650	1SG7 567-4KA60-0C.2	1491	517	97.0	97.2	97.4	97.2	0.88	0.89	0.88	0.84	29796	2.40	0.65	5.7	109	860	o.r.
5000	1SG7 568-4KA60-0C.2	1492	556	97.1	97.3	97.5	97.1	0.89	0.89	0.87	0.81	32005	2.70	0.80	6.5	119	830	o.r.
5500	1SG8 633-4KA60-0C.0	1491	610	96.6	97.0	96.9	96.4	0.88	0.89	0.88	0.84	35225	2.40	0.60	5.7	151	660	o.r.
5850	1SG8 634-4KA60-0C.0	1491	640	96.7	97.0	97.0	96.5	0.88	0.90	0.89	0.85	37467	2.40	0.60	5.8	166	760	o.r.
6550	1SG8 637-4KA60-0C.0	1492	720	96.9	97.2	97.1	96.6	0.89	0.90	0.88	0.84	41922	2.50	0.60	6.0	181	820	o.r.
7250	1SG8 638-4KA60-0C.0	1492	810	97.0	97.3	97.2	96.7	0.88	0.89	0.87	0.81	46402	2.55	0.60	6.0	197	910	o.r.
7950	1SG8 712-4KA60-0C.0	1492	880	97.0	97.3	97.3	96.8	0.88	0.89	0.88	0.84	50883	2.35	0.50	5.5	258	830	o.r.
8450	1SG8 713-4KA60-0C.0	1492	940	97.2	97.4	97.4	96.9	0.89	0.89	0.88	0.84	54083	2.50	0.50	5.8	282	930	o.r.
9150	1SG8 714-4KA60-0C.0	1493	1000	97.3	97.5	97.5	97.1	0.89	0.90	0.89	0.85	58524	2.60	0.55	6.0	310	1040	o.r.
10100	1SG8 717-4KA60-0C.0	1493	1100	97.4	97.6	97.6	97.2	0.89	0.90	0.89	0.85	64600	2.60	0.55	6.0	344	1140	o.r.
10350	1SG8 718-4KA60-0C.0	1492	1120	97.3	97.6	97.7	97.3	0.90	0.91	0.91	0.89	66243	2.55	0.55	6.0	365	1170	o.r.
6-pole: n_{sync} = 1000 rpm at 50 Hz																		
1080	1SG7 453-6KA60-0A.2	989	128	94.7	95.5	95.8	95.6	0.85	0.85	0.82	0.74	10435	2.20	0.80	5.1	22	845	o.r.
1100	1SG7 453-6KA60-0C.0	989	130	94.6	95.4	95.8	95.7	0.85	0.86	0.84	0.77	10628	2.25	0.65	5.0	30	1030	o.r.
1230	1SG7 454-6KA60-0C.2	989	146	94.9	95.6	95.9	95.8	0.85	0.85	0.83	0.75	11883	2.30	0.65	5.0	33	1300	o.r.
1120	1SG7 454-6KA60-0A.2	990	132	94.8	95.6	95.9	95.8	0.85	0.86	0.83	0.75	10816	2.40	0.85	5.5	24	875	o.r.
1320	1SG7 457-6KA60-0A.0	990	156	95.0	95.7	96.0	95.9	0.85	0.85	0.82	0.74	12747	2.40	0.80	5.3	28	1130	o.r.
1350	1SG7 457-6KA60-0C.0	989	158	95.0	95.7	96.0	96.0	0.85	0.86	0.84	0.77	13034	2.35	0.65	5.1	36	1365	o.r.
1420	1SG7 458-6KA60-0A.2	991	166	95.3	95.9	96.2	96.0	0.86	0.86	0.82	0.73	13697	2.55	0.90	5.8	31	1250	o.r.
1450	1SG7 458-6KA60-0C.2	990	168	95.3	96.0	96.2	96.1	0.86	0.87	0.84	0.77	13990	2.50	0.70	5.3	41	1470	o.r.
1880	1SG7 503-6KA60-0C.2	992	210	95.8	96.3	96.5	96.3	0.84	0.86	0.82	0.74	18109	2.35	0.75	4.7	60	1740	o.r.
1860	1SG7 503-6KA60-0A.2	990	210	95.4	96.1	96.5	96.5	0.84	0.86	0.84	0.78	17956	2.15	0.85	4.6	46	1560	o.r.

Innomotics HV M - 1SG. IC616 6000 V / 50 Hz B3 (IM 1001)																		
Rated power IEC	Article No.	Speed	Rated current I_R	Efficiency				Power factor				Torque T_R	Breakdown torque T_B/ T_R	Locked rotor torque T_{LR}/ T_R	Locked rotor current I_{LR}/ I_R	Inertia		
				5/4 load	4/4 load	3/4 load	2/4 load	5/4 load	4/4 load	3/4 load	2/4 load					motor	external	Startup max T/TR
kW		rpm	A	%	%	%	%	$\cos \varphi$	$\cos \varphi$	$\cos \varphi$	$\cos \varphi$	Nm	[-]	[-]	[-]	kgm ²	kgm ²	[-]
1960	1SG7 504-6KA60-0A.2	990	230	95.7	96.3	96.6	96.5	0.85	0.86	0.84	0.77	18901	2.35	0.90	5.0	51	1890	o.r.
2000	1SG7 504-6KA60-0C.2	992	230	95.9	96.4	96.7	96.5	0.85	0.86	0.84	0.77	19263	2.40	0.85	4.9	66	2070	o.r.
2280	1SG7 507-6KA60-0C.2	992	260	96.1	96.6	96.8	96.7	0.85	0.86	0.84	0.77	21960	2.35	0.75	4.8	74	2440	o.r.
2000	1SG7 507-6KA60-0A.2	990	230	95.6	96.2	96.7	96.7	0.86	0.86	0.87	0.82	19302	2.15	0.90	4.7	58	1800	o.r.
2310	1SG7 508-6KA60-0C.2	992	265	96.1	96.7	96.9	96.8	0.86	0.86	0.86	0.80	22248	2.30	0.80	4.7	80	2270	o.r.
2260	1SG7 508-6KA60-0A.2	990	255	95.9	96.4	96.9	96.8	0.86	0.86	0.86	0.82	21803	2.25	0.90	4.9	63	2240	o.r.
2500	1SG7 561-6KA60-0C.2	992	290	95.8	96.3	96.6	96.5	0.85	0.86	0.85	0.81	24089	1.90	0.60	5.5	97	2025	o.r.
2700	1SG7 562-6KA60-0C.2	992	315	96.0	96.4	96.7	96.7	0.85	0.86	0.85	0.82	26010	2.00	0.60	5.5	105	2245	o.r.
2900	1SG7 563-6KA60-0C.2	992	335	96.0	96.6	96.7	96.5	0.85	0.86	0.85	0.81	27928	2.00	0.60	5.5	113	2540	o.r.
3250	1SG7 564-6KA60-0C.2	992	375	96.1	96.6	96.8	96.6	0.85	0.86	0.86	0.81	31299	2.00	0.60	5.5	124	2485	o.r.
3450	1SG7 567-6KA60-0C.2	993	400	96.3	96.7	96.9	96.7	0.86	0.86	0.86	0.81	33189	2.00	0.60	5.5	137	2885	o.r.
3800	1SG7 568-6KA60-0C.2	993	440	96.6	96.9	97.0	96.8	0.86	0.86	0.85	0.80	36543	2.00	0.60	6.0	151	3430	o.r.
4200	1SG8 632-6KA60-0C.0	992	485	96.2	96.6	96.7	96.2	0.85	0.86	0.83	0.76	40430	2.25	0.55	5.1	193	2140	o.r.
4400	1SG8 633-6KA60-0C.0	992	500	96.2	96.7	96.8	96.4	0.85	0.87	0.85	0.80	42356	2.20	0.60	5.1	209	2370	o.r.
4850	1SG8 634-6KA60-0C.0	993	560	96.5	96.8	96.9	96.3	0.85	0.86	0.82	0.74	46641	2.40	0.60	5.4	227	2640	o.r.
5150	1SG8 637-6KA60-0C.0	993	590	96.6	96.9	96.9	96.4	0.86	0.87	0.83	0.76	49526	2.50	0.60	5.5	247	2930	o.r.
5400	1SG8 638-6KA60-0C.0	993	620	96.7	97.0	97.0	96.5	0.86	0.87	0.83	0.75	51930	2.50	0.60	5.5	264	3300	o.r.
6150	1SG8 712-6KA60-0C.0	993	700	96.8	97.2	97.3	96.9	0.85	0.87	0.85	0.79	59142	2.25	0.55	5.3	331	2520	o.r.
6700	1SG8 713-6KA60-0C.0	994	760	96.9	97.3	97.4	97.0	0.86	0.87	0.86	0.80	64366	2.30	0.55	5.4	373	2990	o.r.
7350	1SG8 714-6KA60-0C.0	995	840	97.1	97.4	97.4	96.9	0.85	0.86	0.83	0.74	70540	2.40	0.50	5.5	420	3730	o.r.
8150	1SG8 717-6KA60-0C.0	995	940	97.2	97.5	97.5	97.0	0.85	0.86	0.83	0.75	78218	2.45	0.50	5.5	474	4310	o.r.
8650	1SG8 718-6KA60-0C.0	995	960	97.2	97.6	97.7	97.4	0.88	0.89	0.87	0.83	83016	2.45	0.60	5.5	524	4370	o.r.
8-pole: $n_{sync} = 750$ rpm at 50 Hz																		
740	1SG7 452-8KA60-0A.0	739	93	93.8	94.9	95.4	95.3	0.79	0.81	0.78	0.70	9562	1.80	0.60	4.2	25	1710	o.r.
840	1SG7 453-8KA60-0A.0	739	104	94.0	95.1	95.5	95.5	0.80	0.81	0.78	0.70	10852	1.80	0.55	4.1	28	2070	o.r.
910	1SG7 454-8KA60-0A.2	740	114	94.4	95.3	95.6	95.4	0.81	0.81	0.77	0.68	11739	2.00	0.65	4.5	31	2310	o.r.
1010	1SG7 457-8KA60-0A.2	741	128	94.8	95.5	95.6	95.3	0.81	0.80	0.75	0.63	13015	2.20	0.70	4.8	35	2700	o.r.
1120	1SG7 458-8KA60-0A.2	741	140	94.7	95.5	95.7	95.5	0.81	0.81	0.76	0.65	14441	2.10	0.70	4.8	39	2750	o.r.
1250	1SG7 502-8KA60-0A.2	743	154	95.3	95.9	96.2	96.1	0.81	0.81	0.78	0.70	16082	2.15	0.85	4.3	46	2580	o.r.
1400	1SG7 503-8KA60-0A.2	742	172	95.3	96.0	96.4	96.4	0.82	0.82	0.79	0.73	18011	2.05	0.80	4.2	51	2660	o.r.
1400	1SG7 503-8KA60-0C.2	742	170	95.3	96.0	96.4	96.4	0.82	0.83	0.80	0.74	18021	2.10	0.55	4.0	65	3440	o.r.
1500	1SG7 504-8KA60-0A.2	743	180	95.5	96.1	96.5	96.5	0.81	0.83	0.81	0.74	19295	2.10	0.80	4.3	56	2900	o.r.
1520	1SG7 504-8KA60-0C.2	742	184	95.4	96.1	96.5	96.6	0.81	0.83	0.82	0.74	19567	2.10	0.55	4.0	72	4010	o.r.
1600	1SG7 507-8KA60-0A.2	744	194	95.8	96.3	96.5	96.3	0.83	0.82	0.79	0.69	20560	2.35	0.95	4.8	63	3560	o.r.
1600	1SG7 507-8KA60-0C.2	743	192	95.8	96.3	96.5	96.4	0.83	0.83	0.79	0.71	20564	2.40	0.70	4.6	80	4900	o.r.
1800	1SG7 508-8KA60-0A.2	743	215	95.8	96.4	96.7	96.7	0.83	0.83	0.81	0.74	23162	2.15	0.85	4.4	69	3520	o.r.
1800	1SG7 508-8KA60-0C.2	743	215	95.8	96.4	96.7	96.8	0.83	0.84	0.81	0.74	23164	2.25	0.60	4.3	88	5270	o.r.

Innomotics HV M - 1SG. IC616 6000 V / 50 Hz B3 (IM 1001)																		
Rated power IEC	Article No.	Speed	Rated current I_R	Efficiency				Power factor				Torque T_R	Breakdown torque T_B/ T_R	Locked rotor torque T_{LR}/ T_R	Locked rotor current I_{LR}/ I_R	Inertia		
				5/4 load	4/4 load	3/4 load	2/4 load	5/4 load	4/4 load	3/4 load	2/4 load					motor	external	Startup max T/TR
kW		rpm	A	%	%	%	%	$\cos \varphi$	$\cos \varphi$	$\cos \varphi$	$\cos \varphi$	Nm	[-]	[-]	[-]	kgm ²	kgm ²	[-]
2050	1SG7 563-8KA60-0C.2	744	245	95.8	96.3	96.6	96.4	0.83	0.83	0.80	0.73	26327	2.25	0.65	4.9	124	3105	o.r.
2240	1SG7 564-8KA60-0C.2	744	270	96.0	96.5	96.7	96.4	0.83	0.83	0.80	0.72	28750	2.35	0.65	5.2	137	3690	o.r.
2500	1SG7 567-8KA60-0C.2	744	295	96.1	96.6	96.9	96.6	0.83	0.84	0.81	0.74	32106	2.25	0.60	5.0	150	4895	o.r.
2800	1SG7 568-8KA60-0C.2	745	335	96.4	96.8	96.9	96.6	0.83	0.83	0.79	0.71	35921	2.45	0.70	5.4	165	6355	o.r.
2900	1SG8 633-8KA60-0C.0	743	340	95.5	96.1	96.2	95.9	0.84	0.85	0.82	0.74	37272	2.05	0.45	4.4	216	3890	o.r.
3550	1SG8 634-8KA60-0C.0	744	415	95.6	96.2	96.2	95.9	0.85	0.86	0.82	0.74	45565	2.20	0.50	4.8	251	3530	o.r.
3850	1SG8 637-8KA60-0C.0	744	450	96.1	96.4	96.4	95.9	0.85	0.85	0.80	0.70	49415	2.25	0.50	4.8	291	6660	o.r.
4100	1SG8 638-8KA60-0C.0	744	480	96.2	96.6	96.5	96.0	0.85	0.85	0.81	0.72	52624	2.25	0.50	4.9	324	7800	o.r.
4300	1SG8 712-8KA60-0C.0	745	455	96.3	96.7	96.8	96.4	0.87	0.87	0.84	0.77	55117	2.35	0.60	5.0	422	6050	o.r.
4600	1SG8 713-8KA60-0C.0	745	510	96.4	96.8	96.8	96.3	0.87	0.87	0.83	0.74	58962	2.50	0.55	5.3	472	5800	o.r.
5200	1SG8 714-8KA60-0C.0	745	570	96.6	96.9	96.9	96.5	0.87	0.87	0.83	0.75	66653	2.45	0.55	5.3	540	6300	o.r.
5800	1SG8 717-8KA60-0C.0	745	630	96.7	97.1	97.1	96.8	0.87	0.88	0.85	0.78	74344	2.40	0.60	5.2	618	8230	o.r.
6150	1SG8 718-8KA60-0C.0	745	690	96.8	97.1	97.2	96.9	0.88	0.88	0.85	0.79	78830	2.45	0.65	5.4	682	8470	o.r.

Motor type	Weight		Dimensions										
	kg	A	AD	AE	B	C	D	E	H	HD	L	ML	
		mm	mm	mm	mm	mm	mm	mm	mm	mm	mm	mm	mm
Innomotics HV M - 1SG. IC616 6000 V / 50 Hz B3 (IM 1001) - Dimension drawings													
2-pole													
1SG7 453-2KA60-0AA2	4650	850	925	1545	1180	250	95	130	450	2350	2640	o.r.	
1SG7 453-2KA60-0AC2	4500	850	925	1545	1180	475	95	130	450	2350	2870	o.r.	
1SG7 453-2KA60-0CA2	4750	850	925	1545	1180	250	95	130	450	2350	2640	o.r.	
1SG7 453-2KA60-0CC2	4700	850	925	1545	1180	475	95	130	450	2350	2870	o.r.	
1SG7 454-2KA60-0AA2	4750	850	925	1545	1180	250	95	130	450	2350	2640	o.r.	
1SG7 454-2KA60-0AC2	4650	850	925	1545	1180	475	95	130	450	2350	2870	o.r.	
1SG7 454-2KA60-0CA2	4900	850	925	1545	1180	250	95	130	450	2350	2640	o.r.	
1SG7 454-2KA60-0CC2	4800	850	925	1545	1180	475	95	130	450	2350	2870	o.r.	
1SG7 457-2KA60-0AA2	5200	850	925	1545	1400	250	95	130	450	2350	2850	o.r.	
1SG7 457-2KA60-0AC2	5050	850	925	1545	1400	475	95	130	450	2350	3080	o.r.	
1SG7 457-2KA60-0CA2	5300	850	925	1545	1400	250	95	130	450	2350	2850	o.r.	
1SG7 457-2KA60-0CC2	5200	850	925	1545	1400	475	95	130	450	2350	3080	o.r.	
1SG7 458-2KA60-0AA2	5400	850	925	1545	1400	250	95	130	450	2350	2850	o.r.	
1SG7 458-2KA60-0AC2	5300	850	925	1545	1400	475	95	130	450	2350	3080	o.r.	
1SG7 458-2KA60-0CA2	5550	850	925	1545	1400	250	95	130	450	2350	2850	o.r.	
1SG7 458-2KA60-0CC2	5450	850	925	1545	1400	475	95	130	450	2350	3080	o.r.	
1SG7 503-2KA60-0AA2	6400	950	1005	1705	1320	250	110	165	500	2710	2920	o.r.	
1SG7 503-2KA60-0AC2	6350	950	1005	1705	1320	530	120	165	500	2710	3200	o.r.	
1SG7 503-2KA60-0CA2	6550	950	1005	1705	1320	250	110	165	500	2710	2920	o.r.	
1SG7 503-2KA60-0CC2	6500	950	1005	1705	1320	530	120	165	500	2710	3200	o.r.	
1SG7 504-2KA60-0AA2	6450	950	1005	1705	1320	250	110	165	500	2710	2920	o.r.	
1SG7 504-2KA60-0AC2	6400	950	1005	1705	1320	530	120	165	500	2710	3200	o.r.	
1SG7 504-2KA60-0CA2	6600	950	1005	1705	1320	250	110	165	500	2710	2920	o.r.	
1SG7 504-2KA60-0CC2	6550	950	1005	1705	1320	530	120	165	500	2710	3200	o.r.	
1SG7 507-2KA60-0AA2	7200	950	1005	1705	1500	250	110	165	500	2710	3130	o.r.	
1SG7 507-2KA60-0AC2	7150	950	1005	1705	1500	530	120	165	500	2710	3410	o.r.	
1SG7 507-2KA60-0CA2	7350	950	1005	1705	1500	250	110	165	500	2710	3130	o.r.	
1SG7 507-2KA60-0CC2	7300	950	1005	1705	1500	530	120	165	500	2710	3410	o.r.	
1SG7 508-2KA60-0AA2	7500	950	1005	1705	1500	250	110	165	500	2710	3130	o.r.	
1SG7 508-2KA60-0AC2	7450	950	1005	1705	1500	530	120	165	500	2710	3410	o.r.	
1SG7 508-2KA60-0CA2	7700	950	1005	1705	1500	250	110	165	500	2710	3130	o.r.	
1SG7 508-2KA60-0CC2	7650	950	1005	1705	1500	530	120	165	500	2710	3410	o.r.	
1SG7 562-2KA60-0CC2	8200	1060	1290	2060	1400	600	150	200	560	2830	3440	o.r.	
1SG7 563-2KA60-0CC2	8500	1060	1290	2060	1400	600	150	200	560	2830	3440	o.r.	
1SG7 564-2KA60-0CC2	8750	1060	1290	2060	1400	600	150	200	560	2830	3440	o.r.	
1SG7 567-2KA60-0CC2	9600	1060	1290	2060	1600	600	150	200	560	2830	3670	o.r.	

Motor type	Weight		Dimensions										
	kg	A mm	AD mm	AE mm	B mm	C mm	D mm	E mm	H mm	HD mm	L mm	ML mm	
Innomotics HV M - 1SG. IC616 6000 V / 50 Hz B3 (IM 1001) - Dimension drawings													
1SG7 568-2KA60-0CC2	10200	1060	1290	2060	1600	600	150	200	560	2830	3670	o.r.	
1SG8 633-2KA60-0CJ0	11000	1320	1520	2520	1600	560	160	240	630	3800	4060	o.r.	
1SG8 634-2KA60-0CJ0	11500	1320	1520	2520	1600	560	160	240	630	3800	4060	o.r.	
1SG8 637-2KA60-0CJ0	12450	1320	1520	2520	1800	560	160	240	630	3800	4260	o.r.	
1SG8 638-2KA60-0CJ0	13000	1320	1520	2520	1800	560	160	240	630	3800	4260	o.r.	
1SG8 712-2KA60-0CJ0	14500	1500	1620	2720	2000	560	180	240	710	3090	4070	o.r.	
1SG8 713-2KA60-0CJ0	15150	1500	1620	2720	2000	560	180	240	710	3090	4070	o.r.	
1SG8 714-2KA60-0CJ0	15700	1500	1620	2720	2000	560	180	240	710	3090	4070	o.r.	
1SG8 716-2KA60-0CJ0	16850	1500	1620	2720	2240	560	180	240	710	3090	4310	o.r.	
1SG8 717-2KA60-0CJ0	17750	1500	1620	2720	2240	560	180	240	710	3090	4310	o.r.	
1SG8 718-2KA60-0CJ0	18750	1500	1620	2720	2240	560	180	240	710	3090	4310	o.r.	
4-pole													
1SG7 453-4KA60-0AA2	4600	850	925	1545	1180	250	130	200	450	2350	2710	o.r.	
1SG7 453-4KA60-0AC2	4650	850	925	1545	1180	500	130	200	450	2350	2960	o.r.	
1SG7 453-4KA60-0CA2	4750	850	925	1545	1180	250	130	200	450	2350	2710	o.r.	
1SG7 453-4KA60-0CC2	4800	850	925	1545	1180	500	130	200	450	2350	2960	o.r.	
1SG7 454-4KA60-0AA0	4750	850	925	1545	1180	250	130	200	450	2350	2710	o.r.	
1SG7 454-4KA60-0AC0	4800	850	925	1545	1180	500	130	200	450	2350	2960	o.r.	
1SG7 454-4KA60-0CA2	4950	850	925	1545	1180	250	130	200	450	2350	2710	o.r.	
1SG7 454-4KA60-0CC2	5000	850	925	1545	1180	500	130	200	450	2350	2960	o.r.	
1SG7 457-4KA60-0CA2	5600	850	925	1545	1400	250	130	200	450	2350	2920	o.r.	
1SG7 457-4KA60-0CC2	5650	850	925	1545	1400	500	130	200	450	2350	3170	o.r.	
1SG7 457-4KA60-0AA2	5400	850	925	1545	1400	250	130	200	450	2350	2920	o.r.	
1SG7 457-4KA60-0AC2	5400	850	925	1545	1400	500	130	200	450	2350	3170	o.r.	
1SG7 458-4KA60-0CA2	5850	850	925	1545	1400	250	130	200	450	2350	2920	o.r.	
1SG7 458-4KA60-0CC2	5850	850	925	1545	1400	500	130	200	450	2350	3170	o.r.	
1SG7 458-4KA60-0AA2	5600	850	925	1545	1400	250	130	200	450	2350	2920	o.r.	
1SG7 458-4KA60-0AC2	5650	850	925	1545	1400	500	130	200	450	2350	3170	o.r.	
1SG7 503-4KA60-0CA2	6800	950	1005	1705	1320	315	160	240	500	2710	3060	o.r.	
1SG7 503-4KA60-0CC2	6850	950	1005	1705	1320	560	170	240	500	2710	3300	o.r.	
1SG7 503-4KA60-0AA2	6650	950	1005	1705	1320	315	160	240	500	2710	3060	o.r.	
1SG7 503-4KA60-0AC2	6700	950	1005	1705	1320	560	170	240	500	2710	3300	o.r.	
1SG7 504-4KA60-0CA2	7050	950	1005	1705	1320	315	160	240	500	2710	3060	o.r.	
1SG7 504-4KA60-0CC2	7150	950	1005	1705	1320	560	170	240	500	2710	3300	o.r.	
1SG7 504-4KA60-0AA2	6900	950	1005	1705	1320	315	160	240	500	2710	3060	o.r.	
1SG7 504-4KA60-0AC2	6950	950	1005	1705	1320	560	170	240	500	2710	3300	o.r.	
1SG7 507-4KA60-0CA2	7800	950	1005	1705	1500	315	160	240	500	2710	3270	o.r.	

Motor type	Weight		Dimensions									
	kg	A mm	AD mm	AE mm	B mm	C mm	D mm	E mm	H mm	HD mm	L mm	ML mm
Innomotics HV M - 1SG. IC616 6000 V / 50 Hz B3 (IM 1001) - Dimension drawings												
1SG7 507-4KA60-0CC2	7850	950	1005	1705	1500	560	170	240	500	2710	3510	o.r.
1SG7 507-4KA60-0AA2	7600	950	1005	1705	1500	315	160	240	500	2710	3270	o.r.
1SG7 507-4KA60-0AC2	7650	950	1005	1705	1500	560	170	240	500	2710	3510	o.r.
1SG7 508-4KA60-0CA2	8150	950	1005	1705	1500	315	160	240	500	2710	3270	o.r.
1SG7 508-4KA60-0CC2	8250	950	1005	1705	1500	560	170	240	500	2710	3510	o.r.
1SG7 508-4KA60-0AA2	7950	950	1005	1705	1500	315	160	240	500	2710	3270	o.r.
1SG7 508-4KA60-0AC2	8050	950	1005	1705	1500	560	170	240	500	2710	3510	o.r.
1SG7 563-4KA60-0CA2	8550	1060	1290	2060	1400	335	190	280	560	2830	3250	o.r.
1SG7 563-4KA60-0CC2	8600	1060	1290	2060	1400	600	190	280	560	2830	3520	o.r.
1SG7 564-4KA60-0CA2	9000	1060	1290	2060	1400	335	190	280	560	2830	3250	o.r.
1SG7 564-4KA60-0CC2	9100	1060	1290	2060	1400	600	190	280	560	2830	3520	o.r.
1SG7 566-4KA60-0CA2	9850	1060	1290	2060	1600	335	190	280	560	2830	3480	o.r.
1SG7 566-4KA60-0CC2	9900	1060	1290	2060	1600	600	190	280	560	2830	3750	o.r.
1SG7 567-4KA60-0CA2	10350	1060	1290	2060	1600	335	190	280	560	2830	3480	o.r.
1SG7 567-4KA60-0CC2	10400	1060	1290	2060	1600	600	190	280	560	2830	3750	o.r.
1SG7 568-4KA60-0CA2	10750	1060	1290	2060	1600	335	190	280	560	2830	3480	o.r.
1SG7 568-4KA60-0CC2	10850	1060	1290	2060	1600	600	190	280	560	2830	3750	o.r.
1SG8 633-4KA60-0CG0	11700	1320	1520	2520	1600	375	200	280	630	3800	3920	o.r.
1SG8 633-4KA60-0CJ0	11800	1320	1520	2520	1600	630	200	280	630	3800	4170	o.r.
1SG8 634-4KA60-0CG0	12150	1320	1520	2520	1600	375	200	280	630	3800	3920	o.r.
1SG8 634-4KA60-0CJ0	12250	1320	1520	2520	1600	630	200	280	630	3800	4170	o.r.
1SG8 637-4KA60-0CG0	13050	1320	1520	2520	1800	375	200	280	630	3800	4120	o.r.
1SG8 637-4KA60-0CJ0	13150	1320	1520	2520	1800	630	200	280	630	3800	4370	o.r.
1SG8 638-4KA60-0CG0	13750	1320	1520	2520	1800	375	200	280	630	3800	4120	o.r.
1SG8 638-4KA60-0CJ0	13850	1320	1520	2520	1800	630	200	280	630	3800	4370	o.r.
1SG8 712-4KA60-0CG0	15650	1500	1620	2720	2000	375	220	280	710	3090	3920	o.r.
1SG8 712-4KA60-0CJ0	15800	1500	1620	2720	2000	630	220	280	710	3090	4180	o.r.
1SG8 713-4KA60-0CG0	16350	1500	1620	2720	2000	375	220	280	710	3090	3920	o.r.
1SG8 713-4KA60-0CJ0	16500	1500	1620	2720	2000	630	220	280	710	3090	4180	o.r.
1SG8 714-4KA60-0CG0	17150	1500	1620	2720	2000	375	220	280	710	3090	3920	o.r.
1SG8 714-4KA60-0CJ0	17300	1500	1620	2720	2000	630	220	280	710	3090	4180	o.r.
1SG8 717-4KA60-0CG0	18450	1500	1620	2720	2240	375	220	280	710	3090	4160	o.r.
1SG8 717-4KA60-0CJ0	18600	1500	1620	2720	2240	630	220	280	710	3090	4420	o.r.
1SG8 718-4KA60-0CG0	19050	1500	1620	2720	2240	375	220	280	710	3090	4160	o.r.
1SG8 718-4KA60-0CJ0	19150	1500	1620	2720	2240	630	220	280	710	3090	4420	o.r.
6-pole												
1SG7 453-6KA60-0AA2	4600	850	925	1545	1180	250	130	200	450	2350	2710	o.r.

Motor type	Weight		Dimensions									
	kg	A	AD	AE	B	C	D	E	H	HD	L	ML
		mm	mm	mm	mm	mm	mm	mm	mm	mm	mm	mm
Innomotics HV M - 1SG. IC616 6000 V / 50 Hz B3 (IM 1001) - Dimension drawings												
1SG7 453-6KA60-0AC2	4650	850	925	1545	1180	500	130	200	450	2350	2960	o.r.
1SG7 453-6KA60-0CA0	4800	850	925	1545	1180	250	130	200	450	2350	2710	o.r.
1SG7 453-6KA60-0CC0	4800	850	925	1545	1180	500	130	200	450	2350	2960	o.r.
1SG7 454-6KA60-0CA2	5000	850	925	1545	1180	250	130	200	450	2350	2710	o.r.
1SG7 454-6KA60-0CC2	5000	850	925	1545	1180	500	130	200	450	2350	2960	o.r.
1SG7 454-6KA60-0AA2	4750	850	925	1545	1180	250	130	200	450	2350	2710	o.r.
1SG7 454-6KA60-0AC2	4800	850	925	1545	1180	500	130	200	450	2350	2960	o.r.
1SG7 457-6KA60-0AA0	5300	850	925	1545	1400	250	130	200	450	2350	2920	o.r.
1SG7 457-6KA60-0AC0	5300	850	925	1545	1400	500	130	200	450	2350	3170	o.r.
1SG7 457-6KA60-0CA0	5450	850	925	1545	1400	250	130	200	450	2350	2920	o.r.
1SG7 457-6KA60-0CC0	5500	850	925	1545	1400	500	130	200	450	2350	3170	o.r.
1SG7 458-6KA60-0AA2	5550	850	925	1545	1400	250	130	200	450	2350	2920	o.r.
1SG7 458-6KA60-0AC2	5600	850	925	1545	1400	500	130	200	450	2350	3170	o.r.
1SG7 458-6KA60-0CA2	5750	850	925	1545	1400	250	130	200	450	2350	2920	o.r.
1SG7 458-6KA60-0CC2	5800	850	925	1545	1400	500	130	200	450	2350	3170	o.r.
1SG7 503-6KA60-0CA2	6950	950	1005	1705	1320	315	160	240	500	2620	3060	o.r.
1SG7 503-6KA60-0CC2	7000	950	1005	1705	1320	560	170	240	500	2620	3300	o.r.
1SG7 503-6KA60-0AA2	6750	950	1005	1705	1320	315	160	240	500	2620	3060	o.r.
1SG7 503-6KA60-0AC2	6800	950	1005	1705	1320	560	170	240	500	2620	3300	o.r.
1SG7 504-6KA60-0AA2	7000	950	1005	1705	1320	315	160	240	500	2620	3060	o.r.
1SG7 504-6KA60-0AC2	7050	950	1005	1705	1320	560	170	240	500	2620	3300	o.r.
1SG7 504-6KA60-0CA2	7200	950	1005	1705	1320	315	160	240	500	2620	3060	o.r.
1SG7 504-6KA60-0CC2	7250	950	1005	1705	1320	560	170	240	500	2620	3300	o.r.
1SG7 507-6KA60-0CA2	7950	950	1005	1705	1500	315	160	240	500	2620	3270	o.r.
1SG7 507-6KA60-0CC2	8000	950	1005	1705	1500	560	170	240	500	2620	3510	o.r.
1SG7 507-6KA60-0AA2	7650	950	1005	1705	1500	315	160	240	500	2620	3270	o.r.
1SG7 507-6KA60-0AC2	7750	950	1005	1705	1500	560	170	240	500	2620	3510	o.r.
1SG7 508-6KA60-0CA2	8300	950	1005	1705	1500	315	160	240	500	2620	3270	o.r.
1SG7 508-6KA60-0CC2	8350	950	1005	1705	1500	560	170	240	500	2620	3510	o.r.
1SG7 508-6KA60-0AA2	8000	950	1005	1705	1500	315	160	240	500	2620	3270	o.r.
1SG7 508-6KA60-0AC2	8100	950	1005	1705	1500	560	170	240	500	2620	3510	o.r.
1SG7 561-6KA60-0CA2	8550	1060	1290	2060	1400	335	190	280	560	2830	3250	o.r.
1SG7 561-6KA60-0CC2	8600	1060	1290	2060	1400	600	190	280	560	2830	3520	o.r.
1SG7 562-6KA60-0CA2	8850	1060	1290	2060	1400	335	190	280	560	2830	3250	o.r.
1SG7 562-6KA60-0CC2	8950	1060	1290	2060	1400	600	190	280	560	2830	3520	o.r.
1SG7 563-6KA60-0CA2	9200	1060	1290	2060	1400	335	190	280	560	2830	3250	o.r.
1SG7 563-6KA60-0CC2	9250	1060	1290	2060	1400	600	190	280	560	2830	3520	o.r.

Motor type	Weight	Dimensions										
	kg	A mm	AD mm	AE mm	B mm	C mm	D mm	E mm	H mm	HD mm	L mm	ML mm
Innomotics HV M - 1SG, IC616 6000 V / 50 Hz B3 (IM 1001) - Dimension drawings												
1SG7 564-6KA60-0CA2	9550	1060	1290	2060	1400	335	190	280	560	2830	3250	o.r.
1SG7 564-6KA60-0CC2	9600	1060	1290	2060	1400	600	190	280	560	2830	3520	o.r.
1SG7 567-6KA60-0CA2	10450	1060	1290	2060	1600	335	190	280	560	2830	3480	o.r.
1SG7 567-6KA60-0CC2	10500	1060	1290	2060	1600	600	190	280	560	2830	3750	o.r.
1SG7 568-6KA60-0CA2	11050	1060	1290	2060	1600	335	190	280	560	2830	3480	o.r.
1SG7 568-6KA60-0CC2	11150	1060	1290	2060	1600	600	190	280	560	2830	3750	o.r.
1SG8 632-6KA60-0CG0	11600	1320	1520	2520	1600	375	200	280	630	3700	3920	o.r.
1SG8 632-6KA60-0CJ0	11700	1320	1520	2520	1600	630	200	280	630	3700	4170	o.r.
1SG8 633-6KA60-0CG0	12000	1320	1520	2520	1600	375	200	280	630	3700	3920	o.r.
1SG8 633-6KA60-0CJ0	12150	1320	1520	2520	1600	630	200	280	630	3700	4170	o.r.
1SG8 634-6KA60-0CG0	12550	1320	1520	2520	1600	375	200	280	630	3700	3920	o.r.
1SG8 634-6KA60-0CJ0	12650	1320	1520	2520	1600	630	200	280	630	3700	4170	o.r.
1SG8 637-6KA60-0CG0	13350	1320	1520	2520	1800	375	200	280	630	3700	4120	o.r.
1SG8 637-6KA60-0CJ0	13500	1320	1520	2520	1800	630	200	280	630	3700	4370	o.r.
1SG8 638-6KA60-0CG0	13900	1320	1520	2520	1800	375	200	280	630	3700	4120	o.r.
1SG8 638-6KA60-0CJ0	14050	1320	1520	2520	1800	630	200	280	630	3700	4370	o.r.
1SG8 712-6KA60-0CG0	15550	1500	1620	2720	2000	375	220	280	710	3090	3920	o.r.
1SG8 712-6KA60-0CJ0	15650	1500	1620	2720	2000	630	220	280	710	3090	4180	o.r.
1SG8 713-6KA60-0CG0	16500	1500	1620	2720	2000	375	220	280	710	3090	3920	o.r.
1SG8 713-6KA60-0CJ0	16600	1500	1620	2720	2000	630	220	280	710	3090	4180	o.r.
1SG8 714-6KA60-0CG0	17500	1500	1620	2720	2000	375	220	280	710	3090	3920	o.r.
1SG8 714-6KA60-0CJ0	17650	1500	1620	2720	2000	630	220	280	710	3090	4180	o.r.
1SG8 717-6KA60-0CG0	19100	1500	1620	2720	2240	375	220	280	710	3090	4160	o.r.
1SG8 717-6KA60-0CJ0	19250	1500	1620	2720	2240	630	220	280	710	3090	4420	o.r.
1SG8 718-6KA60-0CG0	20150	1500	1620	2720	2240	375	220	280	710	3090	4160	o.r.
1SG8 718-6KA60-0CJ0	20300	1500	1620	2720	2240	630	220	280	710	3090	4420	o.r.
8-pole												
1SG7 452-8KA60-0AA0	4600	850	925	1545	1180	250	130	200	450	2350	2710	o.r.
1SG7 452-8KA60-0AC0	4650	850	925	1545	1180	500	130	200	450	2350	2960	o.r.
1SG7 453-8KA60-0AA0	4850	850	925	1545	1180	250	130	200	450	2350	2710	o.r.
1SG7 453-8KA60-0AC0	4850	850	925	1545	1180	500	130	200	450	2350	2960	o.r.
1SG7 454-8KA60-0AA2	5050	850	925	1545	1180	250	130	200	450	2350	2710	o.r.
1SG7 454-8KA60-0AC2	5100	850	925	1545	1180	500	130	200	450	2350	2960	o.r.
1SG7 457-8KA60-0AA2	5600	850	925	1545	1400	250	130	200	450	2350	2920	o.r.
1SG7 457-8KA60-0AC2	5600	850	925	1545	1400	500	130	200	450	2350	3170	o.r.
1SG7 458-8KA60-0AA2	5800	850	925	1545	1400	250	130	200	450	2350	2920	o.r.
1SG7 458-8KA60-0AC2	5850	850	925	1545	1400	500	130	200	450	2350	3170	o.r.

Motor type	Weight	Dimensions										
	kg	A mm	AD mm	AE mm	B mm	C mm	D mm	E mm	H mm	HD mm	L mm	ML mm
Innomotics HV M - 1SG. IC616 6000 V / 50 Hz B3 (IM 1001) - Dimension drawings												
1SG7 502-8KA60-0AA2	6450	950	1005	1705	1320	315	160	240	500	2620	3060	o.r.
1SG7 502-8KA60-0AC2	6500	950	1005	1705	1320	560	170	240	500	2620	3300	o.r.
1SG7 503-8KA60-0AA2	6700	950	1005	1705	1320	315	160	240	500	2620	3060	o.r.
1SG7 503-8KA60-0AC2	6750	950	1005	1705	1320	560	170	240	500	2620	3300	o.r.
1SG7 503-8KA60-0CA2	6950	950	1005	1705	1320	315	160	240	500	2620	3060	o.r.
1SG7 503-8KA60-0CC2	7000	950	1005	1705	1320	560	170	240	500	2620	3300	o.r.
1SG7 504-8KA60-0AA2	7000	950	1005	1705	1320	315	160	240	500	2620	3060	o.r.
1SG7 504-8KA60-0AC2	7050	950	1005	1705	1320	560	170	240	500	2620	3300	o.r.
1SG7 504-8KA60-0CA2	7250	950	1005	1705	1320	315	160	240	500	2620	3060	o.r.
1SG7 504-8KA60-0CC2	7300	950	1005	1705	1320	560	170	240	500	2620	3300	o.r.
1SG7 507-8KA60-0AA2	7700	950	1005	1705	1500	315	160	240	500	2620	3270	o.r.
1SG7 507-8KA60-0AC2	7750	950	1005	1705	1500	560	170	240	500	2620	3510	o.r.
1SG7 507-8KA60-0CA2	7950	950	1005	1705	1500	315	160	240	500	2620	3270	o.r.
1SG7 507-8KA60-0CC2	8000	950	1005	1705	1500	560	170	240	500	2620	3510	o.r.
1SG7 508-8KA60-0AA2	8050	950	1005	1705	1500	315	160	240	500	2620	3270	o.r.
1SG7 508-8KA60-0AC2	8100	950	1005	1705	1500	560	170	240	500	2620	3510	o.r.
1SG7 508-8KA60-0CA2	8300	950	1005	1705	1500	315	160	240	500	2620	3270	o.r.
1SG7 508-8KA60-0CC2	8400	950	1005	1705	1500	560	170	240	500	2620	3510	o.r.
1SG7 563-8KA60-0CA2	8850	1060	1075	1845	1400	335	190	280	560	2830	3250	o.r.
1SG7 563-8KA60-0CC2	8950	1060	1075	1845	1400	600	190	280	560	2830	3520	o.r.
1SG7 564-8KA60-0CA2	9300	1060	1075	1845	1400	335	190	280	560	2830	3250	o.r.
1SG7 564-8KA60-0CC2	9400	1060	1075	1845	1400	600	190	280	560	2830	3520	o.r.
1SG7 567-8KA60-0CA2	10250	1060	1075	1845	1600	335	190	280	560	2830	3480	o.r.
1SG7 567-8KA60-0CC2	10350	1060	1075	1845	1600	600	190	280	560	2830	3750	o.r.
1SG7 568-8KA60-0CA2	10800	1060	1075	1845	1600	335	190	280	560	2830	3480	o.r.
1SG7 568-8KA60-0CC2	10850	1060	1075	1845	1600	600	190	280	560	2830	3750	o.r.
1SG8 633-8KA60-0CG0	10850	1320	1520	2520	1600	375	200	280	630	3700	3920	o.r.
1SG8 633-8KA60-0CJ0	10950	1320	1520	2520	1600	630	200	280	630	3700	4170	o.r.
1SG8 634-8KA60-0CG0	11600	1320	1520	2520	1600	375	200	280	630	3700	3920	o.r.
1SG8 634-8KA60-0CJ0	11700	1320	1520	2520	1600	630	200	280	630	3700	4170	o.r.
1SG8 637-8KA60-0CG0	12850	1320	1520	2520	1800	375	200	280	630	3700	4120	o.r.
1SG8 637-8KA60-0CJ0	12950	1320	1520	2520	1800	630	200	280	630	3700	4370	o.r.
1SG8 638-8KA60-0CG0	13600	1320	1520	2520	1800	375	200	280	630	3700	4120	o.r.
1SG8 638-8KA60-0CJ0	13700	1320	1520	2520	1800	630	200	280	630	3700	4370	o.r.
1SG8 712-8KA60-0CG0	14950	1500	1620	2720	2000	375	220	280	710	3090	3920	o.r.
1SG8 712-8KA60-0CJ0	15150	1500	1620	2720	2000	630	220	280	710	3090	4180	o.r.
1SG8 713-8KA60-0CG0	15700	1500	1620	2720	2000	375	220	280	710	3090	3920	o.r.

Motor type	Weight	Dimensions										
	kg	A mm	AD mm	AE mm	B mm	C mm	D mm	E mm	H mm	HD mm	L mm	ML mm
Innomotics HV M - 1SG, IC616 6000 V / 50 Hz B3 (IM 1001) - Dimension drawings												
1SG8 713-8KA60-0CJ0	15900	1500	1620	2720	2000	630	220	280	710	3090	4180	o.r.
1SG8 714-8KA60-0CG0	16850	1500	1620	2720	2000	375	220	280	710	3090	3920	o.r.
1SG8 714-8KA60-0CJ0	17000	1500	1620	2720	2000	630	220	280	710	3090	4180	o.r.
1SG8 717-8KA60-0CG0	18550	1500	1620	2720	2240	375	220	280	710	3090	4160	o.r.
1SG8 717-8KA60-0CJ0	18750	1500	1620	2720	2240	630	220	280	710	3090	4420	o.r.
1SG8 718-8KA60-0CG0	19600	1500	1620	2720	2240	375	220	280	710	3090	4160	o.r.
1SG8 718-8KA60-0CJ0	19800	1500	1620	2720	2240	630	220	280	710	3090	4420	o.r.

Innomotics HV M - 1SG. IC616 6600 V / 60 Hz B3 (IM 1001)																		
Rated power IEC	Article No.	Speed	Rated current I_R	Efficiency				Power factor				Torque T_R	Breakdown torque T_B/ T_R	Locked rotor torque T_{LR}/ T_R	Locked rotor current I_{LR}/ I_R	Inertia		
				5/4 load	4/4 load	3/4 load	2/4 load	5/4 load	4/4 load	3/4 load	2/4 load					motor	external	Startup max T/TR
kW		rpm	A	%	%	%	%	cos φ	cos φ	cos φ	cos φ	Nm	[-]	[-]	[-]	kgm ²	kgm ²	[-]
2-pole: n_{sync} = 3600 rpm at 60 Hz																		
1600	1SG7 453-2KA10-0A.0	3578	168	95.5	95.8	95.5	94.3	0.86	0.87	0.84	0.78	4270	2.45	0.50	5.9	10	20	o.r.
1600	1SG7 453-2KA10-0C.0	3579	164	95.5	95.8	95.4	94.3	0.88	0.89	0.88	0.84	4269	2.50	0.60	5.8	14	95	o.r.
1750	1SG7 454-2KA10-0A.0	3578	182	95.6	96.0	95.8	94.9	0.87	0.88	0.87	0.83	4671	2.45	0.55	5.9	11	20	o.r.
1740	1SG7 454-2KA10-0C.0	3579	176	95.6	95.9	95.6	94.5	0.89	0.90	0.89	0.86	4643	2.65	0.65	6.0	15	95	o.r.
1950	1SG7 457-2KA10-0A.0	3580	200	95.8	96.1	95.8	94.8	0.87	0.88	0.85	0.79	5201	2.65	0.55	6.0	12	25	o.r.
1950	1SG7 457-2KA10-0C.0	3580	198	95.8	96.1	95.8	94.7	0.89	0.90	0.89	0.86	5201	2.65	0.65	6.0	16	100	o.r.
2100	1SG7 458-2KA10-0A.0	3580	210	96.0	96.3	96.1	95.2	0.89	0.90	0.88	0.84	5602	2.80	0.65	6.2	13	25	o.r.
2100	1SG7 458-2KA10-0C.0	3580	210	95.9	96.3	96.1	95.2	0.90	0.91	0.91	0.88	5602	2.80	0.70	6.0	17	105	o.r.
2300	1SG7 502-2KA10-0C.0	3576	240	95.8	96.0	95.9	95.2	0.87	0.88	0.87	0.82	6142	2.35	0.65	4.6	18	70	o.r.
2500	1SG7 503-2KA10-0C.0	3579	255	96.1	96.3	96.2	95.4	0.88	0.89	0.88	0.83	6670	2.70	0.70	5.3	20	74	o.r.
2600	1SG7 504-2KA10-0C.0	3580	265	96.2	96.3	96.2	95.4	0.88	0.89	0.88	0.81	6935	2.80	0.80	5.5	21	76	o.r.
2900	1SG7 507-2KA10-0C.0	3581	290	96.4	96.6	96.5	95.8	0.90	0.90	0.89	0.85	7733	2.85	0.80	5.8	24	82	o.r.
3100	1SG7 508-2KA10-0C.0	3582	310	96.6	96.8	96.7	96.1	0.91	0.91	0.91	0.87	8264	2.85	0.65	5.8	27	92	o.r.
3670	1SG7 562-2KA10-0CC0	3584	375	96.0	96.1	95.7	94.7	0.87	0.89	0.88	0.84	9778	2.45	0.60	5.7	41	175	o.r.
3810	1SG7 563-2KA10-0CC0	3585	385	96.1	96.2	95.9	94.9	0.89	0.90	0.89	0.86	10149	2.70	0.70	6.1	44	185	o.r.
4580	1SG7 564-2KA10-0CC0	3584	470	95.9	96.0	95.6	94.5	0.88	0.89	0.88	0.85	12203	2.50	0.60	5.7	47	175	o.r.
4840	1SG7 567-2KA10-0CC0	3585	490	96.1	96.2	95.8	94.7	0.90	0.90	0.90	0.86	12892	2.80	0.65	6.0	52	185	o.r.
5080	1SG7 568-2KA10-0CC0	3588	510	96.3	96.3	95.8	94.6	0.90	0.90	0.88	0.84	13520	3.20	0.75	6.8	58	210	o.r.
5650	1SG8 632-2KA10-0CJ0	3581	580	95.9	96.1	95.5	94.0	0.86	0.89	0.89	0.88	15067	2.00	0.50	4.9	75	150	o.r.
6150	1SG8 633-2KA10-0CJ0	3581	630	96.1	96.3	95.8	94.4	0.87	0.89	0.90	0.89	16400	2.00	0.50	4.9	82	150	o.r.
6650	1SG8 634-2KA10-0CJ0	3583	670	96.4	96.5	96.0	94.7	0.88	0.90	0.91	0.90	17723	2.15	0.55	5.2	90	150	o.r.
7400	1SG8 637-2KA10-0CJ0	3583	740	96.6	96.7	96.2	95.0	0.89	0.91	0.92	0.90	19722	2.30	0.60	5.5	99	150	o.r.
7900	1SG8 638-2KA10-0CJ0	3586	780	96.8	96.9	96.4	95.1	0.91	0.92	0.92	0.90	21037	2.55	0.65	6.0	107	160	o.r.
8700	1SG8 712-2KA10-0CJ0	3588	880	96.4	96.3	95.6	94.1	0.88	0.90	0.89	0.87	23155	2.15	0.55	5.2	149	90	o.r.
9150	1SG8 713-2KA10-0CJ0	3586	920	96.5	96.4	95.9	94.5	0.87	0.90	0.90	0.90	24366	2.00	0.50	4.8	160	80	o.r.
9900	1SG8 714-2KA10-0CJ0	3588	990	96.7	96.6	96.0	94.7	0.90	0.91	0.91	0.89	26348	2.35	0.60	5.6	173	70	o.r.
10500	1SG8 716-2KA10-0CJ0	3590	1040	96.8	96.6	95.9	94.4	0.90	0.91	0.89	0.85	27930	2.55	0.60	6.2	184	100	o.r.
11250	1SG8 717-2KA10-0CJ0	3589	1120	97.0	96.8	96.3	95.0	0.90	0.91	0.91	0.89	29933	2.30	0.50	5.6	199	100	o.r.
4-pole: n_{sync} = 1800 rpm at 60 Hz																		
1600	1SG7 453-4KA10-0A.0	1783	168	95.2	95.7	95.7	95.1	0.87	0.87	0.84	0.77	8569	2.40	0.65	5.5	17	175	o.r.
1680	1SG7 453-4KA10-0C.0	1784	176	95.3	95.8	95.9	95.3	0.86	0.87	0.86	0.81	8993	2.20	0.45	5.0	23	285	o.r.
1830	1SG7 454-4KA10-0C.0	1786	192	95.6	96.0	96.0	95.3	0.86	0.87	0.83	0.75	9785	2.45	0.50	5.3	25	340	o.r.
1710	1SG7 454-4KA10-0A.0	1783	180	95.4	95.9	95.8	95.2	0.87	0.87	0.84	0.76	9158	2.55	0.70	6.0	19	215	o.r.
2100	1SG7 457-4KA10-0C.0	1787	215	95.9	96.3	96.3	95.7	0.88	0.89	0.86	0.80	11222	2.60	0.60	5.8	30	425	o.r.
2000	1SG7 457-4KA10-0A.0	1783	205	95.7	96.2	96.2	95.7	0.88	0.89	0.87	0.81	10711	2.55	0.70	6.0	22	240	o.r.
2250	1SG7 458-4KA10-0C.0	1788	230	96.1	96.5	96.4	95.8	0.88	0.89	0.85	0.78	12017	2.80	0.65	6.0	32	475	o.r.

Innomotics HV M - 1SG. IC616 6600 V / 60 Hz B3 (IM 1001)																		
Rated power IEC	Article No.	Speed	Rated current I_R	Efficiency				Power factor				Torque T_R	Breakdown torque T_B/ T_R	Locked rotor torque T_{LR}/ T_R	Locked rotor current I_{LR}/ I_R	Inertia		
				5/4 load	4/4 load	3/4 load	2/4 load	5/4 load	4/4 load	3/4 load	2/4 load					motor	external	Startup max T/TR
kW		rpm	A	%	%	%	%	cos φ	cos φ	cos φ	cos φ	Nm	[-]	[-]	[-]	kgm ²	kgm ²	[-]
2150	1SG7 458-4KA10-0A.0	1785	220	95.9	96.3	96.3	95.8	0.88	0.89	0.86	0.80	11502	2.70	0.75	6.0	24	270	o.r.
2600	1SG7 503-4KA10-0A.0	1786	270	96.1	96.4	96.5	95.8	0.87	0.88	0.86	0.80	13902	2.50	0.75	5.5	37	340	o.r.
2650	1SG7 503-4KA10-0C.0	1788	270	96.1	96.4	96.5	95.9	0.87	0.89	0.87	0.82	14153	2.45	0.55	5.0	45	355	o.r.
2850	1SG7 504-4KA10-0A.0	1787	295	96.3	96.5	96.6	95.9	0.88	0.88	0.85	0.79	15230	2.75	0.85	5.9	40	295	o.r.
2900	1SG7 504-4KA10-0C.0	1789	295	96.4	96.6	96.6	95.9	0.88	0.89	0.86	0.81	15480	2.50	0.55	5.2	50	485	o.r.
3150	1SG7 507-4KA10-0C.0	1788	315	96.5	96.8	96.8	96.3	0.90	0.90	0.89	0.86	16823	2.55	0.65	5.2	56	405	o.r.
3100	1SG7 507-4KA10-0A.0	1785	310	96.2	96.7	96.8	96.4	0.88	0.90	0.89	0.87	16584	2.45	0.80	5.3	46	255	o.r.
3350	1SG7 508-4KA10-0A.0	1786	335	96.4	96.8	96.9	96.5	0.89	0.90	0.89	0.86	17912	2.50	0.80	5.7	50	270	o.r.
3400	1SG7 508-4KA10-0C.0	1788	340	96.6	96.9	97.0	96.5	0.90	0.90	0.90	0.87	18159	2.45	0.60	5.2	62	545	o.r.
3800	1SG7 563-4KA10-0C.0	1790	385	96.6	96.9	97.0	96.6	0.88	0.89	0.88	0.85	20272	2.25	0.65	5.4	80	515	o.r.
4100	1SG7 564-4KA10-0C.0	1789	415	96.7	97.0	97.2	96.9	0.88	0.89	0.90	0.88	21885	2.05	0.55	4.9	90	595	o.r.
4750	1SG7 566-4KA10-0C.0	1791	475	97.0	97.2	97.3	97.0	0.89	0.90	0.89	0.87	25326	2.30	0.65	5.6	100	625	o.r.
5200	1SG7 567-4KA10-0C.0	1791	519	97.1	97.3	97.5	97.1	0.89	0.90	0.90	0.87	27725	2.30	0.60	5.5	109	695	o.r.
5700	1SG7 568-4KA10-0C.0	1791	569	97.2	97.4	97.5	97.2	0.89	0.90	0.89	0.86	30391	2.40	0.65	5.9	119	740	o.r.
6300	1SG8 633-4KA10-0C.0	1791	640	96.6	96.8	96.5	95.6	0.88	0.89	0.88	0.84	33590	2.45	0.55	5.8	151	380	o.r.
7100	1SG8 634-4KA10-0C.0	1791	720	96.8	96.9	96.7	95.9	0.88	0.89	0.88	0.84	37856	2.45	0.55	5.8	166	400	o.r.
7500	1SG8 637-4KA10-0C.0	1792	750	96.9	97.0	96.8	96.1	0.90	0.90	0.90	0.86	39966	2.55	0.65	6.0	182	450	o.r.
8350	1SG8 638-4KA10-0C.0	1792	830	97.0	97.2	97.0	96.3	0.89	0.90	0.89	0.85	44496	2.55	0.60	6.0	197	500	o.r.
9050	1SG8 712-4KA10-0C.0	1791	900	97.0	97.2	97.1	96.4	0.89	0.90	0.90	0.87	48253	2.35	0.50	5.7	259	440	o.r.
9600	1SG8 713-4KA10-0C.0	1792	950	97.1	97.3	97.2	96.5	0.89	0.91	0.90	0.88	51157	2.50	0.55	6.0	284	500	o.r.
10400	1SG8 714-4KA10-0C.0	1792	1020	97.3	97.4	97.3	96.6	0.90	0.91	0.91	0.88	55420	2.60	0.55	6.0	312	550	o.r.
11550	1SG8 717-4KA10-0C.0	1792	1140	97.3	97.5	97.4	96.8	0.90	0.91	0.91	0.89	61548	2.60	0.55	6.0	346	580	o.r.
11950	1SG8 718-4KA10-0C.0	1793	1200	97.4	97.5	97.4	96.7	0.89	0.90	0.89	0.86	63644	2.60	0.50	6.0	361	700	o.r.
6-pole: n _{sync} = 1200 rpm at 60 Hz																		
1220	1SG7 452-6KA10-0A.0	1189	136	94.9	95.5	95.5	95.0	0.82	0.82	0.75	0.63	9798	2.40	0.80	5.5	20	530	o.r.
1350	1SG7 453-6KA10-0A.0	1189	148	95.2	95.7	95.8	95.3	0.83	0.83	0.77	0.65	10842	2.40	0.80	5.5	22	610	o.r.
1370	1SG7 453-6KA10-0C.0	1189	148	95.2	95.7	95.9	95.5	0.84	0.85	0.82	0.74	11003	2.35	0.65	5.3	30	850	o.r.
1420	1SG7 454-6KA10-0A.0	1189	152	95.2	95.8	96.0	95.7	0.84	0.85	0.82	0.75	11405	2.25	0.80	5.5	24	620	o.r.
1500	1SG7 454-6KA10-0C.0	1189	162	95.2	95.8	96.0	95.6	0.85	0.85	0.82	0.75	12047	2.35	0.65	5.3	33	880	o.r.
1600	1SG7 457-6KA10-0A.0	1190	172	95.4	96.0	96.1	95.7	0.84	0.85	0.80	0.70	12839	2.45	0.80	5.5	28	815	o.r.
1620	1SG7 457-6KA10-0C.0	1190	172	95.4	96.0	96.1	95.8	0.85	0.86	0.83	0.76	13000	2.40	0.65	5.3	36	1030	o.r.
1750	1SG7 458-6KA10-0A.0	1190	188	95.7	96.2	96.3	96.0	0.85	0.85	0.81	0.73	14043	2.45	0.85	5.7	31	925	o.r.
1760	1SG7 458-6KA10-0C.0	1191	186	95.7	96.2	96.3	95.9	0.86	0.86	0.83	0.75	14111	2.60	0.75	5.5	41	1120	o.r.
1950	1SG7 502-6KA10-0A.0	1191	215	95.7	96.1	96.2	95.8	0.83	0.83	0.79	0.70	15635	2.45	0.90	5.1	42	1180	o.r.
2000	1SG7 502-6KA10-0C.0	1192	210	95.8	96.2	96.4	96.0	0.84	0.86	0.83	0.76	16022	2.30	0.70	4.7	54	1250	o.r.
2170	1SG7 503-6KA10-0A.0	1191	240	95.8	96.2	96.4	95.9	0.83	0.83	0.79	0.70	17399	2.50	0.95	5.2	46	1300	o.r.
2240	1SG7 503-6KA10-0C.0	1192	235	95.9	96.3	96.5	96.1	0.84	0.86	0.83	0.76	17945	2.35	0.70	4.7	60	1370	o.r.

Innomotics HV M - 1SG. IC616 6600 V / 60 Hz B3 (IM 1001)																		
Rated power IEC	Article No.	Speed	Rated current	Efficiency				Power factor				Torque	Breakdown torque	Locked rotor torque	Locked rotor current	Inertia		
		n_r	I_R	5/4 load	4/4 load	3/4 load	2/4 load	5/4 load	4/4 load	3/4 load	2/4 load	T_R	T_B/ T_R	T_{LR}/ T_R	I_{LR}/ I_R	motor	external	Startup max T/TR
kW		rpm	A	%	%	%	%	$\cos \varphi$	$\cos \varphi$	$\cos \varphi$	$\cos \varphi$	Nm	[-]	[-]	[-]	kgm ²	kgm ²	[-]
2320	1SG7 504-6KA10-0A.0	1192	255	96.1	96.3	96.4	95.9	0.82	0.82	0.76	0.65	18586	2.75	1.05	5.6	51	1430	o.r.
2420	1SG7 504-6KA10-0C.0	1193	260	96.2	96.5	96.6	96.1	0.84	0.84	0.81	0.73	19371	2.55	0.80	5.1	66	1500	o.r.
2540	1SG7 507-6KA10-0A.0	1192	275	96.2	96.5	96.6	96.1	0.83	0.83	0.77	0.67	20348	2.75	1.00	5.8	58	1600	o.r.
2640	1SG7 507-6KA10-0C.0	1193	285	96.3	96.6	96.7	96.3	0.84	0.84	0.82	0.73	21132	2.50	0.75	5.1	74	1650	o.r.
2750	1SG7 508-6KA10-0A.0	1191	290	96.2	96.6	96.8	96.5	0.85	0.86	0.84	0.77	22049	2.45	0.95	5.4	63	1780	o.r.
3000	1SG7 561-6KA10-0C.0	1193	315	96.1	96.5	96.6	96.1	0.85	0.86	0.84	0.78	24013	2.40	0.65	5.4	96	990	o.r.
3550	1SG7 563-6KA10-0C.0	1193	375	96.4	96.8	96.8	96.4	0.85	0.86	0.84	0.78	28416	2.50	0.65	5.6	112	1230	o.r.
4000	1SG7 567-6KA10-0C.0	1193	415	96.6	97.0	97.0	96.6	0.86	0.87	0.85	0.81	32018	2.60	0.70	5.8	134	1650	o.r.
4500	1SG7 568-6KA10-0C.0	1194	465	96.8	97.1	97.2	96.8	0.87	0.87	0.85	0.80	35990	2.65	0.70	5.9	150	1880	o.r.
4900	1SG8 632-6KA10-0C.0	1193	520	96.4	96.6	96.4	95.5	0.85	0.86	0.81	0.73	39222	2.50	0.55	5.5	193	1280	o.r.
5300	1SG8 633-6KA10-0C.0	1193	560	96.5	96.7	96.6	95.8	0.85	0.86	0.82	0.74	42424	2.45	0.55	5.5	209	1360	o.r.
5700	1SG8 634-6KA10-0C.0	1193	590	96.6	96.8	96.7	95.9	0.86	0.87	0.83	0.76	45625	2.45	0.55	5.5	227	1850	o.r.
6200	1SG8 637-6KA10-0C.0	1193	640	96.7	96.9	96.8	96.1	0.86	0.87	0.84	0.77	49628	2.45	0.55	5.5	247	1650	o.r.
6450	1SG8 638-6KA10-0C.0	1193	670	96.8	97.0	96.8	96.1	0.86	0.87	0.83	0.76	51629	2.50	0.55	5.5	264	1880	o.r.
7350	1SG8 712-6KA10-0C.0	1194	760	97.0	97.2	97.1	96.5	0.86	0.87	0.84	0.78	58783	2.40	0.55	5.5	331	1470	o.r.
8100	1SG8 713-6KA10-0C.0	1194	840	97.1	97.3	97.3	96.8	0.86	0.87	0.86	0.81	64782	2.25	0.50	5.5	374	1670	o.r.
8700	1SG8 714-6KA10-0C.0	1194	890	97.1	97.4	97.4	96.9	0.87	0.88	0.87	0.82	69580	2.30	0.50	5.5	424	1980	o.r.
9650	1SG8 717-6KA10-0C.0	1194	980	97.3	97.5	97.5	97.0	0.87	0.88	0.87	0.82	77178	2.40	0.55	5.5	478	2300	o.r.
10000	1SG8 718-6KA10-0C.0	1195	1040	97.4	97.5	97.5	96.9	0.87	0.87	0.85	0.78	79910	2.50	0.50	5.5	520	2930	o.r.
8-pole: $n_{sync} = 900$ rpm at 60 Hz																		
960	1SG7 452-8KA10-0A.0	889	108	94.2	95.2	95.5	95.2	0.79	0.81	0.77	0.68	10312	1.80	0.55	4.5	25	1150	o.r.
990	1SG7 452-8KA10-0C.0	889	110	94.2	95.2	95.5	95.2	0.81	0.82	0.79	0.70	10634	1.95	0.45	4.5	32	1690	o.r.
1050	1SG7 453-8KA10-0A.0	890	118	94.5	95.4	95.5	95.1	0.80	0.81	0.76	0.65	11266	1.90	0.60	4.5	28	1310	o.r.
1060	1SG7 453-8KA10-0C.0	891	118	94.6	95.4	95.6	95.1	0.81	0.82	0.78	0.67	11361	2.10	0.50	5.0	36	1870	o.r.
1100	1SG7 454-8KA10-0A.0	890	124	94.5	95.4	95.7	95.3	0.80	0.81	0.78	0.68	11803	1.90	0.60	4.5	31	1350	o.r.
1120	1SG7 454-8KA10-0C.0	891	126	94.7	95.5	95.7	95.3	0.82	0.82	0.79	0.70	12004	2.10	0.50	5.0	40	1860	o.r.
1220	1SG7 457-8KA10-0A.0	891	140	95.0	95.6	95.6	95.1	0.81	0.80	0.74	0.62	13075	2.20	0.65	5.0	35	1930	o.r.
1240	1SG7 457-8KA10-0C.0	892	138	95.1	95.7	95.7	95.1	0.82	0.82	0.76	0.65	13275	2.45	0.60	5.5	45	2400	o.r.
1300	1SG7 458-8KA10-0A.0	892	148	95.1	95.7	95.7	95.2	0.81	0.80	0.75	0.62	13917	2.35	0.70	5.5	39	2200	o.r.
1330	1SG7 458-8KA10-0C.0	892	148	95.2	95.8	95.8	95.2	0.82	0.82	0.77	0.65	14238	2.54	0.60	5.5	50	2450	o.r.
1400	1SG7 502-8KA10-0A.0	894	164	95.7	96.0	96.2	95.8	0.80	0.78	0.76	0.65	14954	2.40	0.80	4.6	46	2160	o.r.
1600	1SG7 503-8KA10-0A.0	893	180	95.7	96.3	96.4	96.1	0.81	0.81	0.78	0.68	17110	2.20	0.75	4.4	51	2290	o.r.
1750	1SG7 503-8KA10-0C.0	893	194	95.7	96.2	96.4	96.1	0.81	0.82	0.78	0.69	18714	2.25	0.60	4.2	65	2340	o.r.
1900	1SG7 504-8KA10-0C.0	893	210	95.9	96.3	96.5	96.2	0.82	0.82	0.79	0.70	20318	2.30	0.60	4.3	72	2810	o.r.
1800	1SG7 504-8KA10-0A.0	893	200	95.9	96.4	96.6	96.3	0.81	0.82	0.79	0.70	19248	2.15	0.75	4.4	56	2420	o.r.
2000	1SG7 507-8KA10-0A.0	894	225	96.0	96.4	96.5	96.1	0.81	0.81	0.76	0.65	21363	2.40	0.85	4.7	63	2730	o.r.
2100	1SG7 507-8KA10-0C.0	893	230	96.0	96.4	96.6	96.3	0.82	0.83	0.79	0.70	22456	2.35	0.65	4.4	80	3120	o.r.

Innomotics HV M - 1SG. IC616 6600 V / 60 Hz B3 (IM 1001)																		
Rated power IEC	Article No.	Speed	Rated current I_R	Efficiency				Power factor				Torque T_R	Breakdown torque T_B/ T_R	Locked rotor torque T_{LR}/ T_R	Locked rotor current I_{LR}/ I_R	Inertia		
				5/4 load	4/4 load	3/4 load	2/4 load	5/4 load	4/4 load	3/4 load	2/4 load					motor	external	Startup max T/TR
kW		rpm	A	%	%	%	%	$\cos \varphi$	$\cos \varphi$	$\cos \varphi$	$\cos \varphi$	Nm	[-]	[-]	[-]	kgm ²	kgm ²	[-]
2200	1SG7 508-8KA10-0C.0	894	245	96.2	96.5	96.6	96.2	0.82	0.82	0.77	0.67	23499	2.60	0.70	4.8	88	3500	o.r.
2200	1SG7 508-8KA10-0A.0	893	245	96.1	96.5	96.7	96.4	0.81	0.82	0.78	0.68	23526	2.30	0.85	4.6	69	2940	o.r.
2500	1SG7 563-8KA10-0C.0	894	275	96.0	96.4	96.7	96.4	0.82	0.82	0.81	0.74	26704	2.05	0.55	4.6	124	2170	o.r.
2700	1SG7 564-8KA10-0C.0	894	300	96.2	96.5	96.8	96.4	0.83	0.82	0.80	0.73	28840	2.20	0.60	4.9	137	2485	o.r.
3050	1SG7 567-8KA10-0C.0	894	335	96.4	96.5	97.0	96.6	0.82	0.83	0.81	0.74	32579	2.15	0.55	4.8	150	3750	o.r.
3300	1SG7 568-8KA10-0C.0	895	365	96.7	96.6	97.0	96.5	0.83	0.82	0.78	0.70	35210	2.50	0.65	5.5	165	4470	o.r.
4100	1SG8 634-8KA10-0C.0	892	435	95.8	96.3	96.3	95.8	0.84	0.86	0.84	0.78	43893	1.90	0.40	4.2	251	3100	o.r.
4550	1SG8 637-8KA10-0C.0	893	480	96.1	96.5	96.5	96.0	0.85	0.86	0.84	0.78	48655	2.05	0.40	4.5	292	3820	o.r.
4800	1SG8 638-8KA10-0C.0	893	500	96.3	96.7	96.6	96.1	0.86	0.87	0.84	0.78	51329	2.10	0.45	4.7	326	4470	o.r.
5150	1SG8 712-8KA10-0C.0	895	530	96.6	96.9	96.7	96.1	0.87	0.87	0.83	0.75	54948	2.45	0.55	5.3	422	3770	o.r.
5500	1SG8 713-8KA10-0C.0	895	570	96.7	96.9	96.8	96.1	0.87	0.87	0.83	0.74	58683	2.55	0.60	5.5	472	4490	o.r.
6300	1SG8 714-8KA10-0C.0	895	650	96.8	97.1	97.0	96.4	0.87	0.87	0.84	0.77	67219	2.40	0.50	5.2	541	4910	o.r.
6900	1SG8 717-8KA10-0C.0	895	710	96.9	97.2	97.2	96.8	0.87	0.88	0.86	0.80	73620	2.35	0.50	5.2	620	5650	o.r.
7450	1SG8 718-8KA10-0C.0	895	750	97.0	97.3	97.3	96.9	0.88	0.89	0.86	0.81	79489	2.35	0.50	5.2	684	6240	o.r.

Motor type	Weight		Dimensions										
	kg	A	AD	AE	B	C	D	E	H	HD	L	ML	
		mm	mm	mm	mm	mm	mm	mm	mm	mm	mm	mm	mm
Innomotics HV M - 1SG. IC616 6600 V / 60 Hz B3 (IM 1001) - Dimension drawings													
2-pole													
1SG7 453-2KA10-0AA0	4650	850	925	1545	1180	250	95	130	450	2350	2640	o.r.	
1SG7 453-2KA10-0ACO	4550	850	925	1545	1180	475	95	130	450	2350	2870	o.r.	
1SG7 453-2KA10-0CA0	4750	850	925	1545	1180	250	95	130	450	2350	2640	o.r.	
1SG7 453-2KA10-0CC0	4650	850	925	1545	1180	475	95	130	450	2350	2870	o.r.	
1SG7 454-2KA10-0AA0	4750	850	925	1545	1180	250	95	130	450	2350	2640	o.r.	
1SG7 454-2KA10-0ACO	4650	850	925	1545	1180	475	95	130	450	2350	2870	o.r.	
1SG7 454-2KA10-0CA0	4850	850	925	1545	1180	250	95	130	450	2350	2640	o.r.	
1SG7 454-2KA10-0CC0	4750	850	925	1545	1180	475	95	130	450	2350	2870	o.r.	
1SG7 457-2KA10-0AA0	5200	850	925	1545	1400	250	95	130	450	2350	2850	o.r.	
1SG7 457-2KA10-0ACO	5100	850	925	1545	1400	475	95	130	450	2350	3080	o.r.	
1SG7 457-2KA10-0CA0	5350	850	925	1545	1400	250	95	130	450	2350	2850	o.r.	
1SG7 457-2KA10-0CC0	5250	850	925	1545	1400	475	95	130	450	2350	3080	o.r.	
1SG7 458-2KA10-0AA0	5350	850	925	1545	1400	250	95	130	450	2350	2850	o.r.	
1SG7 458-2KA10-0ACO	5250	850	925	1545	1400	475	95	130	450	2350	3080	o.r.	
1SG7 458-2KA10-0CA0	5500	850	925	1545	1400	250	95	130	450	2350	2850	o.r.	
1SG7 458-2KA10-0CC0	5400	850	925	1545	1400	475	95	130	450	2350	3080	o.r.	
1SG7 502-2KA10-0CA0	5900	950	1005	1705	1320	250	110	165	500	2710	2920	o.r.	
1SG7 502-2KA10-0CC0	5850	950	1005	1705	1320	530	120	165	500	2710	3200	o.r.	
1SG7 503-2KA10-0CA0	6550	950	1005	1705	1320	250	110	165	500	2710	2920	o.r.	
1SG7 503-2KA10-0CC0	6500	950	1005	1705	1320	530	120	165	500	2710	3200	o.r.	
1SG7 504-2KA10-0CA0	6650	950	1005	1705	1320	250	110	165	500	2710	2920	o.r.	
1SG7 504-2KA10-0CC0	6600	950	1005	1705	1320	530	120	165	500	2710	3200	o.r.	
1SG7 507-2KA10-0CA0	7350	950	1005	1705	1500	250	110	165	500	2710	3130	o.r.	
1SG7 507-2KA10-0CC0	7250	950	1005	1705	1500	530	120	165	500	2710	3410	o.r.	
1SG7 508-2KA10-0CA0	7650	950	1005	1705	1500	250	110	165	500	2710	3130	o.r.	
1SG7 508-2KA10-0CC0	7600	950	1005	1705	1500	530	120	165	500	2710	3410	o.r.	
1SG7 562-2KA10-0CC0	8250	1060	1290	2060	1400	600	150	200	560	2830	3440	o.r.	
1SG7 563-2KA10-0CC0	8450	1060	1290	2060	1400	600	150	200	560	2830	3440	o.r.	
1SG7 564-2KA10-0CC0	8750	1060	1290	2060	1400	600	150	200	560	2830	3440	o.r.	
1SG7 567-2KA10-0CC0	9550	1060	1290	2060	1600	600	150	200	560	2830	3670	o.r.	
1SG7 568-2KA10-0CC0	10150	1060	1290	2060	1600	600	150	200	560	2830	3670	o.r.	
1SG8 632-2KA10-0CJ0	10600	1320	1520	2520	1600	560	160	240	630	3840	4060	o.r.	
1SG8 633-2KA10-0CJ0	11100	1320	1520	2520	1600	560	160	240	630	3840	4060	o.r.	
1SG8 634-2KA10-0CJ0	11600	1320	1520	2520	1600	560	160	240	630	3840	4060	o.r.	
1SG8 637-2KA10-0CJ0	12500	1320	1520	2520	1800	560	160	240	630	3840	4260	o.r.	
1SG8 638-2KA10-0CJ0	13150	1320	1520	2520	1800	560	160	240	630	3840	4260	o.r.	

Motor type	Weight	Dimensions										
	kg	A mm	AD mm	AE mm	B mm	C mm	D mm	E mm	H mm	HD mm	L mm	ML mm
Innomotics HV M - 1SG. IC616 6600 V / 60 Hz B3 (IM 1001) - Dimension drawings												
1SG8 712-2KA10-0CJ0	14500	1500	1620	2720	2000	560	180	240	710	3090	4070	o.r.
1SG8 713-2KA10-0CJ0	15150	1500	1620	2720	2000	560	180	240	710	3090	4070	o.r.
1SG8 714-2KA10-0CJ0	15900	1500	1620	2720	2000	560	180	240	710	3090	4070	o.r.
1SG8 716-2KA10-0CJ0	17000	1500	1620	2720	2240	560	180	240	710	3090	4310	o.r.
1SG8 717-2KA10-0CJ0	17800	1500	1620	2720	2240	560	180	240	710	3090	4310	o.r.
4-pole												
1SG7 453-4KA10-0AA0	4600	850	925	1545	1180	250	130	200	450	2350	2710	o.r.
1SG7 453-4KA10-0AC0	4600	850	925	1545	1180	500	130	200	450	2350	2960	o.r.
1SG7 453-4KA10-0CA0	4750	850	925	1545	1180	250	130	200	450	2350	2710	o.r.
1SG7 453-4KA10-0CC0	4750	850	925	1545	1180	500	130	200	450	2350	2960	o.r.
1SG7 454-4KA10-0CA0	4950	850	925	1545	1180	250	130	200	450	2350	2710	o.r.
1SG7 454-4KA10-0CC0	5000	850	925	1545	1180	500	130	200	450	2350	2960	o.r.
1SG7 454-4KA10-0AA0	4750	850	925	1545	1180	250	130	200	450	2350	2710	o.r.
1SG7 454-4KA10-0AC0	4800	850	925	1545	1180	500	130	200	450	2350	2960	o.r.
1SG7 457-4KA10-0CA0	5550	850	925	1545	1400	250	130	200	450	2350	2920	o.r.
1SG7 457-4KA10-0CC0	5600	850	925	1545	1400	500	130	200	450	2350	3170	o.r.
1SG7 457-4KA10-0AA0	5400	850	925	1545	1400	250	130	200	450	2350	2920	o.r.
1SG7 457-4KA10-0AC0	5450	850	925	1545	1400	500	130	200	450	2350	3170	o.r.
1SG7 458-4KA10-0CA0	5800	850	925	1545	1400	250	130	200	450	2350	2920	o.r.
1SG7 458-4KA10-0CC0	5800	850	925	1545	1400	500	130	200	450	2350	3170	o.r.
1SG7 458-4KA10-0AA0	5650	850	925	1545	1400	250	130	200	450	2350	2920	o.r.
1SG7 458-4KA10-0AC0	5650	850	925	1545	1400	500	130	200	450	2350	3170	o.r.
1SG7 503-4KA10-0AA0	6650	950	1005	1705	1320	315	160	240	500	2710	3060	o.r.
1SG7 503-4KA10-0AC0	6750	950	1005	1705	1320	560	170	240	500	2710	3300	o.r.
1SG7 503-4KA10-0CA0	6800	950	1005	1705	1320	315	160	240	500	2710	3060	o.r.
1SG7 503-4KA10-0CC0	6900	950	1005	1705	1320	560	170	240	500	2710	3300	o.r.
1SG7 504-4KA10-0AA0	6950	950	1005	1705	1320	315	160	240	500	2710	3060	o.r.
1SG7 504-4KA10-0AC0	7050	950	1005	1705	1320	560	170	240	500	2710	3300	o.r.
1SG7 504-4KA10-0CA0	7100	950	1005	1705	1320	315	160	240	500	2710	3060	o.r.
1SG7 504-4KA10-0CC0	7200	950	1005	1705	1320	560	170	240	500	2710	3300	o.r.
1SG7 507-4KA10-0CA0	7800	950	1005	1705	1500	315	160	240	500	2710	3270	o.r.
1SG7 507-4KA10-0CC0	7850	950	1005	1705	1500	560	170	240	500	2710	3510	o.r.
1SG7 507-4KA10-0AA0	7650	950	1005	1705	1500	315	160	240	500	2710	3270	o.r.
1SG7 507-4KA10-0AC0	7700	950	1005	1705	1500	560	170	240	500	2710	3510	o.r.
1SG7 508-4KA10-0AA0	8000	950	1005	1705	1500	315	160	240	500	2710	3270	o.r.
1SG7 508-4KA10-0AC0	8050	950	1005	1705	1500	560	170	240	500	2710	3510	o.r.
1SG7 508-4KA10-0CA0	8150	950	1005	1705	1500	315	160	240	500	2710	3270	o.r.

Motor type	Weight	Dimensions										
	kg	A mm	AD mm	AE mm	B mm	C mm	D mm	E mm	H mm	HD mm	L mm	ML mm
Innomotics HV M - 1SG. IC616 6600 V / 60 Hz B3 (IM 1001) - Dimension drawings												
1SG7 508-4KA10-0CC0	8250	950	1005	1705	1500	560	170	240	500	2710	3510	o.r.
1SG7 563-4KA10-0CA0	8500	1060	1290	2060	1400	335	190	280	560	2830	3250	o.r.
1SG7 563-4KA10-0CC0	8600	1060	1290	2060	1400	600	190	280	560	2830	3520	o.r.
1SG7 564-4KA10-0CA0	9000	1060	1290	2060	1400	335	190	280	560	2830	3250	o.r.
1SG7 564-4KA10-0CC0	9050	1060	1290	2060	1400	600	190	280	560	2830	3520	o.r.
1SG7 566-4KA10-0CA0	9850	1060	1290	2060	1600	335	190	280	560	2830	3480	o.r.
1SG7 566-4KA10-0CC0	9900	1060	1290	2060	1600	600	190	280	560	2830	3750	o.r.
1SG7 567-4KA10-0CA0	10300	1060	1290	2060	1600	335	190	280	560	2830	3480	o.r.
1SG7 567-4KA10-0CC0	10400	1060	1290	2060	1600	600	190	280	560	2830	3750	o.r.
1SG7 568-4KA10-0CA0	10750	1060	1290	2060	1600	335	190	280	560	2830	3480	o.r.
1SG7 568-4KA10-0CC0	10850	1060	1290	2060	1600	600	190	280	560	2830	3750	o.r.
1SG8 633-4KA10-0CG0	11700	1320	1520	2520	1600	375	200	280	630	3840	3920	o.r.
1SG8 633-4KA10-0CJ0	11800	1320	1520	2520	1600	630	200	280	630	3840	4170	o.r.
1SG8 634-4KA10-0CG0	12300	1320	1520	2520	1600	375	200	280	630	3840	3920	o.r.
1SG8 634-4KA10-0CJ0	12400	1320	1520	2520	1600	630	200	280	630	3840	4170	o.r.
1SG8 637-4KA10-0CG0	13100	1320	1520	2520	1800	375	200	280	630	3840	4120	o.r.
1SG8 637-4KA10-0CJ0	13200	1320	1520	2520	1800	630	200	280	630	3840	4370	o.r.
1SG8 638-4KA10-0CG0	13800	1320	1520	2520	1800	375	200	280	630	3840	4120	o.r.
1SG8 638-4KA10-0CJ0	13900	1320	1520	2520	1800	630	200	280	630	3840	4370	o.r.
1SG8 712-4KA10-0CG0	15650	1500	1620	2720	2000	375	220	280	710	3090	3920	o.r.
1SG8 712-4KA10-0CJ0	15750	1500	1620	2720	2000	630	220	280	710	3090	4180	o.r.
1SG8 713-4KA10-0CG0	16300	1500	1620	2720	2000	375	220	280	710	3090	3920	o.r.
1SG8 713-4KA10-0CJ0	16450	1500	1620	2720	2000	630	220	280	710	3090	4180	o.r.
1SG8 714-4KA10-0CG0	17150	1500	1620	2720	2000	375	220	280	710	3090	3920	o.r.
1SG8 714-4KA10-0CJ0	17250	1500	1620	2720	2000	630	220	280	710	3090	4180	o.r.
1SG8 717-4KA10-0CG0	18450	1500	1620	2720	2240	375	220	280	710	3090	4160	o.r.
1SG8 717-4KA10-0CJ0	18600	1500	1620	2720	2240	630	220	280	710	3090	4420	o.r.
1SG8 718-4KA10-0CG0	19000	1500	1620	2720	2240	375	220	280	710	3090	4160	o.r.
1SG8 718-4KA10-0CJ0	19100	1500	1620	2720	2240	630	220	280	710	3090	4420	o.r.
6-pole												
1SG7 452-6KA10-0AA0	4450	850	925	1545	1180	250	130	200	450	2350	2710	o.r.
1SG7 452-6KA10-0AC0	4500	850	925	1545	1180	500	130	200	450	2350	2960	o.r.
1SG7 453-6KA10-0AA0	4650	850	925	1545	1180	250	130	200	450	2350	2710	o.r.
1SG7 453-6KA10-0AC0	4650	850	925	1545	1180	500	130	200	450	2350	2960	o.r.
1SG7 453-6KA10-0CA0	4800	850	925	1545	1180	250	130	200	450	2350	2710	o.r.
1SG7 453-6KA10-0CC0	4850	850	925	1545	1180	500	130	200	450	2350	2960	o.r.
1SG7 454-6KA10-0AA0	4800	850	925	1545	1180	250	130	200	450	2350	2710	o.r.

Motor type	Weight	Dimensions										
	kg	A mm	AD mm	AE mm	B mm	C mm	D mm	E mm	H mm	HD mm	L mm	ML mm
Innomotics HV M - 1SG. IC616 6600 V / 60 Hz B3 (IM 1001) - Dimension drawings												
1SG7 454-6KA10-0ACO	4850	850	925	1545	1180	500	130	200	450	2350	2960	o.r.
1SG7 454-6KA10-0CAO	4950	850	925	1545	1180	250	130	200	450	2350	2710	o.r.
1SG7 454-6KA10-0CCO	5000	850	925	1545	1180	500	130	200	450	2350	2960	o.r.
1SG7 457-6KA10-0AAO	5300	850	925	1545	1400	250	130	200	450	2350	2920	o.r.
1SG7 457-6KA10-0ACO	5300	850	925	1545	1400	500	130	200	450	2350	3170	o.r.
1SG7 457-6KA10-0CAO	5450	850	925	1545	1400	250	130	200	450	2350	2920	o.r.
1SG7 457-6KA10-0CCO	5500	850	925	1545	1400	500	130	200	450	2350	3170	o.r.
1SG7 458-6KA10-0AAO	5550	850	925	1545	1400	250	130	200	450	2350	2920	o.r.
1SG7 458-6KA10-0ACO	5600	850	925	1545	1400	500	130	200	450	2350	3170	o.r.
1SG7 458-6KA10-0CAO	5750	850	925	1545	1400	250	130	200	450	2350	2920	o.r.
1SG7 458-6KA10-0CCO	5800	850	925	1545	1400	500	130	200	450	2350	3170	o.r.
1SG7 502-6KA10-0AAO	6450	950	1005	1705	1320	315	160	240	500	2620	3060	o.r.
1SG7 502-6KA10-0ACO	6500	950	1005	1705	1320	560	170	240	500	2620	3300	o.r.
1SG7 502-6KA10-0CAO	6700	950	1005	1705	1320	315	160	240	500	2620	3060	o.r.
1SG7 502-6KA10-0CCO	6750	950	1005	1705	1320	560	170	240	500	2620	3300	o.r.
1SG7 503-6KA10-0AAO	6700	950	1005	1705	1320	315	160	240	500	2620	3060	o.r.
1SG7 503-6KA10-0ACO	6750	950	1005	1705	1320	560	170	240	500	2620	3300	o.r.
1SG7 503-6KA10-0CAO	6950	950	1005	1705	1320	315	160	240	500	2620	3060	o.r.
1SG7 503-6KA10-0CCO	7000	950	1005	1705	1320	560	170	240	500	2620	3300	o.r.
1SG7 504-6KA10-0AAO	7000	950	1005	1705	1320	315	160	240	500	2620	3060	o.r.
1SG7 504-6KA10-0ACO	7050	950	1005	1705	1320	560	170	240	500	2620	3300	o.r.
1SG7 504-6KA10-0CAO	7200	950	1005	1705	1320	315	160	240	500	2620	3060	o.r.
1SG7 504-6KA10-0CCO	7300	950	1005	1705	1320	560	170	240	500	2620	3300	o.r.
1SG7 507-6KA10-0AAO	7700	950	1005	1705	1500	315	160	240	500	2620	3270	o.r.
1SG7 507-6KA10-0ACO	7750	950	1005	1705	1500	560	170	240	500	2620	3510	o.r.
1SG7 507-6KA10-0CAO	7950	950	1005	1705	1500	315	160	240	500	2620	3270	o.r.
1SG7 507-6KA10-0CCO	8000	950	1005	1705	1500	560	170	240	500	2620	3510	o.r.
1SG7 508-6KA10-0AAO	8000	950	1005	1705	1500	315	160	240	500	2620	3270	o.r.
1SG7 508-6KA10-0ACO	8050	950	1005	1705	1500	560	170	240	500	2620	3510	o.r.
1SG7 561-6KA10-0CAO	8500	1060	1290	2060	1400	335	190	280	560	2830	3250	o.r.
1SG7 561-6KA10-0CCO	8550	1060	1290	2060	1400	600	190	280	560	2830	3520	o.r.
1SG7 563-6KA10-0CAO	9100	1060	1290	2060	1400	335	190	280	560	2830	3250	o.r.
1SG7 563-6KA10-0CCO	9200	1060	1290	2060	1400	600	190	280	560	2830	3520	o.r.
1SG7 567-6KA10-0CAO	10400	1060	1290	2060	1600	335	190	280	560	2830	3480	o.r.
1SG7 567-6KA10-0CCO	10450	1060	1290	2060	1600	600	190	280	560	2830	3750	o.r.
1SG7 568-6KA10-0CAO	11050	1060	1290	2060	1600	335	190	280	560	2830	3480	o.r.
1SG7 568-6KA10-0CCO	11100	1060	1290	2060	1600	600	190	280	560	2830	3750	o.r.

Motor type	Weight	Dimensions										
	kg	A mm	AD mm	AE mm	B mm	C mm	D mm	E mm	H mm	HD mm	L mm	ML mm
Innomotics HV M - 1SG. IC616 6600 V / 60 Hz B3 (IM 1001) - Dimension drawings												
1SG8 632-6KA10-0CG0	11550	1320	1520	2520	1600	375	200	280	630	3760	3920	o.r.
1SG8 632-6KA10-0CJ0	11650	1320	1520	2520	1600	630	200	280	630	3760	4170	o.r.
1SG8 633-6KA10-0CG0	12050	1320	1520	2520	1600	375	200	280	630	3760	3920	o.r.
1SG8 633-6KA10-0CJ0	12200	1320	1520	2520	1600	630	200	280	630	3760	4170	o.r.
1SG8 634-6KA10-0CG0	12550	1320	1520	2520	1600	375	200	280	630	3760	3920	o.r.
1SG8 634-6KA10-0CJ0	12650	1320	1520	2520	1600	630	200	280	630	3760	4170	o.r.
1SG8 637-6KA10-0CG0	13450	1320	1520	2520	1800	375	200	280	630	3760	4120	o.r.
1SG8 637-6KA10-0CJ0	13550	1320	1520	2520	1800	630	200	280	630	3760	4370	o.r.
1SG8 638-6KA10-0CG0	13900	1320	1520	2520	1800	375	200	280	630	3760	4120	o.r.
1SG8 638-6KA10-0CJ0	14050	1320	1520	2520	1800	630	200	280	630	3760	4370	o.r.
1SG8 712-6KA10-0CG0	15550	1500	1620	2720	2000	375	220	280	710	3090	3920	o.r.
1SG8 712-6KA10-0CJ0	15700	1500	1620	2720	2000	630	220	280	710	3090	4180	o.r.
1SG8 713-6KA10-0CG0	16550	1500	1620	2720	2000	375	220	280	710	3090	3920	o.r.
1SG8 713-6KA10-0CJ0	16700	1500	1620	2720	2000	630	220	280	710	3090	4180	o.r.
1SG8 714-6KA10-0CG0	17500	1500	1620	2720	2000	375	220	280	710	3090	3920	o.r.
1SG8 714-6KA10-0CJ0	17650	1500	1620	2720	2000	630	220	280	710	3090	4180	o.r.
1SG8 717-6KA10-0CG0	19150	1500	1620	2720	2240	375	220	280	710	3090	4160	o.r.
1SG8 717-6KA10-0CJ0	19300	1500	1620	2720	2240	630	220	280	710	3090	4420	o.r.
1SG8 718-6KA10-0CG0	20050	1500	1620	2720	2240	375	220	280	710	3090	4160	o.r.
1SG8 718-6KA10-0CJ0	20150	1500	1620	2720	2240	630	220	280	710	3090	4420	o.r.
8-pole												
1SG7 452-8KA10-0AA0	4650	850	925	1545	1180	250	130	200	450	2350	2710	o.r.
1SG7 452-8KA10-0AC0	4650	850	925	1545	1180	500	130	200	450	2350	2960	o.r.
1SG7 452-8KA10-0CA0	4800	850	925	1545	1180	250	130	200	450	2350	2710	o.r.
1SG7 452-8KA10-0CC0	4800	850	925	1545	1180	500	130	200	450	2350	2960	o.r.
1SG7 453-8KA10-0AA0	4800	850	925	1545	1180	250	130	200	450	2350	2710	o.r.
1SG7 453-8KA10-0AC0	4850	850	925	1545	1180	500	130	200	450	2350	2960	o.r.
1SG7 453-8KA10-0CA0	5000	850	925	1545	1180	250	130	200	450	2350	2710	o.r.
1SG7 453-8KA10-0CC0	5000	850	925	1545	1180	500	130	200	450	2350	2960	o.r.
1SG7 454-8KA10-0AA0	5050	850	925	1545	1180	250	130	200	450	2350	2710	o.r.
1SG7 454-8KA10-0AC0	5050	850	925	1545	1180	500	130	200	450	2350	2960	o.r.
1SG7 454-8KA10-0CA0	5200	850	925	1545	1180	250	130	200	450	2350	2710	o.r.
1SG7 454-8KA10-0CC0	5250	850	925	1545	1180	500	130	200	450	2350	2960	o.r.
1SG7 457-8KA10-0AA0	5550	850	925	1545	1400	250	130	200	450	2350	2920	o.r.
1SG7 457-8KA10-0AC0	5600	850	925	1545	1400	500	130	200	450	2350	3170	o.r.
1SG7 457-8KA10-0CA0	5750	850	925	1545	1400	250	130	200	450	2350	2920	o.r.
1SG7 457-8KA10-0CC0	5800	850	925	1545	1400	500	130	200	450	2350	3170	o.r.

Motor type	Weight	Dimensions										
	kg	A mm	AD mm	AE mm	B mm	C mm	D mm	E mm	H mm	HD mm	L mm	ML mm
Innomotics HV M - 1SG, IC616 6600 V / 60 Hz B3 (IM 1001) - Dimension drawings												
1SG7 458-8KA10-0AA0	5850	850	925	1545	1400	250	130	200	450	2350	2920	o.r.
1SG7 458-8KA10-0AC0	5850	850	925	1545	1400	500	130	200	450	2350	3170	o.r.
1SG7 458-8KA10-0CA0	6050	850	925	1545	1400	250	130	200	450	2350	2920	o.r.
1SG7 458-8KA10-0CC0	6050	850	925	1545	1400	500	130	200	450	2350	3170	o.r.
1SG7 502-8KA10-0AA0	6450	950	1005	1705	1320	315	160	240	500	2620	3060	o.r.
1SG7 502-8KA10-0AC0	6500	950	1005	1705	1320	560	170	240	500	2620	3300	o.r.
1SG7 503-8KA10-0AA0	6750	950	1005	1705	1320	315	160	240	500	2620	3060	o.r.
1SG7 503-8KA10-0AC0	6800	950	1005	1705	1320	560	170	240	500	2620	3300	o.r.
1SG7 503-8KA10-0CA0	6950	950	1005	1705	1320	315	160	240	500	2620	3060	o.r.
1SG7 503-8KA10-0CC0	7000	950	1005	1705	1320	560	170	240	500	2620	3300	o.r.
1SG7 504-8KA10-0CA0	7250	950	1005	1705	1320	315	160	240	500	2620	3060	o.r.
1SG7 504-8KA10-0CC0	7300	950	1005	1705	1320	560	170	240	500	2620	3300	o.r.
1SG7 504-8KA10-0AA0	7050	950	1005	1705	1320	315	160	240	500	2620	3060	o.r.
1SG7 504-8KA10-0AC0	7100	950	1005	1705	1320	560	170	240	500	2620	3300	o.r.
1SG7 507-8KA10-0AA0	7700	950	1005	1705	1500	315	160	240	500	2620	3270	o.r.
1SG7 507-8KA10-0AC0	7750	950	1005	1705	1500	560	170	240	500	2620	3510	o.r.
1SG7 507-8KA10-0CA0	7950	950	1005	1705	1500	315	160	240	500	2620	3270	o.r.
1SG7 507-8KA10-0CC0	8000	950	1005	1705	1500	560	170	240	500	2620	3510	o.r.
1SG7 508-8KA10-0CA0	8300	950	1005	1705	1500	315	160	240	500	2620	3270	o.r.
1SG7 508-8KA10-0CC0	8350	950	1005	1705	1500	560	170	240	500	2620	3510	o.r.
1SG7 508-8KA10-0AA0	8050	950	1005	1705	1500	315	160	240	500	2620	3270	o.r.
1SG7 508-8KA10-0AC0	8100	950	1005	1705	1500	560	170	240	500	2620	3510	o.r.
1SG7 563-8KA10-0CA0	8850	1060	1075	1845	1400	335	190	280	560	2830	3250	o.r.
1SG7 563-8KA10-0CC0	8950	1060	1075	1845	1400	600	190	280	560	2830	3520	o.r.
1SG7 564-8KA10-0CA0	9300	1060	1075	1845	1400	335	190	280	560	2830	3250	o.r.
1SG7 564-8KA10-0CC0	9400	1060	1075	1845	1400	600	190	280	560	2830	3520	o.r.
1SG7 567-8KA10-0CA0	10300	1060	1075	1845	1600	335	190	280	560	2830	3480	o.r.
1SG7 567-8KA10-0CC0	10350	1060	1075	1845	1600	600	190	280	560	2830	3750	o.r.
1SG7 568-8KA10-0CA0	10750	1060	1075	1845	1600	335	190	280	560	2830	3480	o.r.
1SG7 568-8KA10-0CC0	10850	1060	1075	1845	1600	600	190	280	560	2830	3750	o.r.
1SG8 634-8KA10-0CG0	11700	1320	1520	2520	1600	375	200	280	630	3760	3920	o.r.
1SG8 634-8KA10-0CJ0	11800	1320	1520	2520	1600	630	200	280	630	3760	4170	o.r.
1SG8 637-8KA10-0CG0	12900	1320	1520	2520	1800	375	200	280	630	3760	4120	o.r.
1SG8 637-8KA10-0CJ0	13000	1320	1520	2520	1800	630	200	280	630	3760	4370	o.r.
1SG8 638-8KA10-0CG0	13600	1320	1520	2520	1800	375	200	280	630	3760	4120	o.r.
1SG8 638-8KA10-0CJ0	13750	1320	1520	2520	1800	630	200	280	630	3760	4370	o.r.
1SG8 712-8KA10-0CG0	14950	1500	1620	2720	2000	375	220	280	710	3090	3920	o.r.

Motor type	Weight	Dimensions										
	kg	A mm	AD mm	AE mm	B mm	C mm	D mm	E mm	H mm	HD mm	L mm	ML mm
Innomotics HV M - 1SG. IC616 6600 V / 60 Hz B3 (IM 1001) - Dimension drawings												
1SG8 712-8KA10-0CJ0	15150	1500	1620	2720	2000	630	220	280	710	3090	4180	o.r.
1SG8 713-8KA10-0CG0	15800	1500	1620	2720	2000	375	220	280	710	3090	3920	o.r.
1SG8 713-8KA10-0CJ0	15950	1500	1620	2720	2000	630	220	280	710	3090	4180	o.r.
1SG8 714-8KA10-0CG0	16900	1500	1620	2720	2000	375	220	280	710	3090	3920	o.r.
1SG8 714-8KA10-0CJ0	17100	1500	1620	2720	2000	630	220	280	710	3090	4180	o.r.
1SG8 717-8KA10-0CG0	18550	1500	1620	2720	2240	375	220	280	710	3090	4160	o.r.
1SG8 717-8KA10-0CJ0	18750	1500	1620	2720	2240	630	220	280	710	3090	4420	o.r.
1SG8 718-8KA10-0CG0	19650	1500	1620	2720	2240	375	220	280	710	3090	4160	o.r.
1SG8 718-8KA10-0CJ0	19850	1500	1620	2720	2240	630	220	280	710	3090	4420	o.r.

Innomotics HV M - 1SG. IC616 10000 V / 50 Hz B3 (IM 1001)																			
Rated power IEC	Article No.	Speed	Rated current		Efficiency				Power factor				Torque	Breakdown torque	Locked rotor torque	Locked rotor current	Inertia		
			I_R		5/4 load	4/4 load	3/4 load	2/4 load	5/4 load	4/4 load	3/4 load	2/4 load					T_R	T_B/ T_R	T_{LR}/ T_R
kW		rpm	A		%	%	%	%	cos φ	cos φ	cos φ	cos φ	Nm	[-]	[-]	[-]	kgm ²	kgm ²	[-]
2-pole: n_{sync} = 3000 rpm at 50 Hz																			
1260	1SG7 453-2KA80-0A.2	2979	85		95.2	95.7	95.8	95.1	0.88	0.89	0.88	0.82	4040	2.40	0.55	5.8	10	60	o.r.
1280	1SG7 453-2KA80-0C.2	2981	87		95.3	95.7	95.8	95.2	0.88	0.89	0.89	0.84	4103	2.45	0.60	5.5	14	100	o.r.
1400	1SG7 454-2KA80-0C.2	2981	94		95.5	95.8	95.8	95.1	0.89	0.90	0.89	0.84	4485	2.60	0.65	6.0	15	100	o.r.
1400	1SG7 454-2KA80-0A.2	2979	94		95.2	95.8	96.0	95.6	0.88	0.90	0.89	0.86	4493	2.40	0.55	5.8	11	60	o.r.
1600	1SG7 457-2KA80-0A.2	2980	106		95.6	96.0	96.1	95.5	0.89	0.90	0.89	0.84	5129	2.60	0.60	5.8	12	70	o.r.
1600	1SG7 457-2KA80-0C.2	2981	106		95.6	96.0	96.1	95.5	0.89	0.90	0.90	0.86	5128	2.60	0.65	6.0	16	120	o.r.
1800	1SG7 458-2KA80-0A.2	2980	120		95.8	96.2	96.3	95.8	0.89	0.90	0.89	0.85	5770	2.70	0.60	6.0	13	70	o.r.
1800	1SG7 458-2KA80-0C.2	2981	120		95.8	96.2	96.3	95.8	0.90	0.90	0.90	0.86	5768	2.65	0.65	6.0	18	120	o.r.
1920	1SG7 503-2KA80-0A.2	2973	130		95.6	96.1	96.3	96.0	0.88	0.89	0.89	0.85	6168	2.60	0.50	5.0	15	60	o.r.
2000	1SG7 503-2KA80-0C.2	2978	134		95.8	96.2	96.4	96.1	0.89	0.89	0.89	0.86	6419	2.45	0.55	4.7	20	142	o.r.
2000	1SG7 504-2KA80-0A.2	2975	134		95.8	96.2	96.4	96.0	0.89	0.89	0.88	0.84	6420	2.85	0.70	5.6	15	66	o.r.
2100	1SG7 504-2KA80-0C.2	2979	140		96.0	96.3	96.5	96.1	0.90	0.90	0.90	0.86	6735	2.65	0.70	5.1	21	142	o.r.
2240	1SG7 507-2KA80-0A.2	2976	150		96.1	96.4	96.7	96.4	0.90	0.90	0.90	0.86	7189	2.85	0.70	5.8	18	78	o.r.
2360	1SG7 507-2KA80-0C.2	2979	156		96.2	96.6	96.8	96.5	0.91	0.91	0.91	0.88	7568	2.65	0.70	5.3	24	156	o.r.
2640	1SG7 508-2KA80-0C.2	2980	172		96.4	96.8	97.0	96.7	0.91	0.92	0.92	0.88	8462	2.75	0.75	5.7	27	164	o.r.
2500	1SG7 508-2KA80-0A.2	2975	164		96.3	96.7	97.0	96.8	0.91	0.91	0.91	0.88	8026	2.75	0.80	5.7	20	84	o.r.
2950	1SG7 562-2KA80-0CC2	2986	194		96.3	96.3	96.1	95.2	0.91	0.91	0.89	0.84	9437	2.95	0.80	6.0	41	230	o.r.
3300	1SG7 563-2KA80-0CC2	2984	215		96.4	96.5	96.4	95.8	0.91	0.91	0.90	0.86	10565	2.55	0.65	5.9	44	260	o.r.
3750	1SG7 564-2KA80-0CC2	2986	245		96.3	96.3	96.0	95.1	0.92	0.91	0.90	0.85	11996	2.95	0.75	6.0	47	265	o.r.
4250	1SG7 567-2KA80-0CC2	2985	275		96.6	96.5	96.4	95.7	0.92	0.92	0.91	0.87	13600	2.75	0.70	5.7	52	295	o.r.
4600	1SG7 568-2KA80-0CC2	2987	300		96.8	96.7	96.5	95.8	0.93	0.92	0.91	0.86	14709	3.10	0.75	6.4	58	320	o.r.
5100	1SG8 633-2KA80-0CJ0	2981	345		96.1	96.5	96.3	95.5	0.86	0.89	0.90	0.89	16337	2.00	0.55	4.7	82	280	o.r.
5600	1SG8 634-2KA80-0CJ2	2983	370		96.4	96.7	96.5	95.6	0.88	0.90	0.90	0.90	17927	2.15	0.60	5.1	90	290	o.r.
6200	1SG8 637-2KA80-0CJ0	2984	405		96.6	96.9	96.6	95.8	0.89	0.91	0.91	0.90	19841	2.35	0.65	5.6	99	300	o.r.
6850	1SG8 638-2KA80-0CJ0	2985	450		96.8	97.1	96.8	96.1	0.89	0.91	0.91	0.90	21914	2.40	0.60	5.7	107	310	o.r.
7150	1SG8 712-2KA80-0CJ0	2988	475		96.4	96.5	96.2	95.1	0.87	0.90	0.89	0.88	22851	2.20	0.50	5.2	149	250	o.r.
8050	1SG8 713-2KA80-0CJ0	2987	530		96.7	96.8	96.5	95.6	0.89	0.91	0.90	0.89	25735	2.20	0.60	5.2	160	220	o.r.
8250	1SG8 714-2KA80-0CJ0	2988	540		96.8	96.9	96.6	95.7	0.88	0.91	0.91	0.89	26366	2.15	0.55	5.1	172	260	o.r.
9050	1SG8 716-2KA80-0CJ0	2988	590		96.9	97.1	96.8	96.0	0.88	0.91	0.91	0.89	28923	2.15	0.50	5.1	184	270	o.r.
9700	1SG8 717-2KA80-0CJ0	2988	630		97.0	97.2	96.9	96.1	0.89	0.91	0.91	0.89	31000	2.20	0.50	5.3	199	280	o.r.
10000	1SG8 718-2KA80-0CJ2	2989	640		97.2	97.3	97.0	96.2	0.90	0.92	0.91	0.90	31948	2.45	0.60	5.9	217	310	o.r.
4-pole: n_{sync} = 1500 rpm at 50 Hz																			
1220	1SG7 453-4KA80-0A.2	1485	84		94.9	95.5	95.6	95.3	0.88	0.88	0.86	0.79	7849	2.70	0.80	6.0	17	320	o.r.
1260	1SG7 453-4KA80-0C.2	1488	86		95.1	95.7	95.9	95.5	0.87	0.88	0.86	0.80	8094	2.50	0.60	5.5	23	350	o.r.
1300	1SG7 454-4KA80-0A.2	1485	88		95.1	95.7	95.8	95.4	0.89	0.89	0.86	0.79	8359	2.85	0.80	6.2	19	375	o.r.
1400	1SG7 454-4KA80-0C.2	1488	95		95.2	95.8	96.0	95.7	0.88	0.89	0.87	0.82	8991	2.50	0.60	5.5	26	360	o.r.

Innomotics HV M - 1SG. IC616 10000 V / 50 Hz B3 (IM 1001)																		
Rated power IEC	Article No.	Speed	Rated current I_R	Efficiency				Power factor				Torque T_R	Breakdown torque T_B/ T_R	Locked torque T_{LR}/ T_R	Locked rotor current I_{LR}/ I_R	Inertia		
				5/4 load	4/4 load	3/4 load	2/4 load	5/4 load	4/4 load	3/4 load	2/4 load					motor	external	Startup max T/TR
kW		rpm	A	%	%	%	%	$\cos \varphi$	$\cos \varphi$	$\cos \varphi$	$\cos \varphi$	Nm	[-]	[-]	[-]	kgm ²	kgm ²	[-]
1650	1SG7 457-4KA80-0C.2	1488	112	95.7	96.2	96.4	96.1	0.89	0.89	0.88	0.83	10592	2.55	0.60	5.8	30	580	o.r.
1480	1SG7 457-4KA80-0A.2	1485	99	95.2	95.9	96.1	96.0	0.89	0.90	0.89	0.85	9526	2.60	0.80	6.2	22	425	o.r.
1800	1SG7 458-4KA80-0C.2	1489	122	95.9	96.3	96.4	96.1	0.89	0.89	0.87	0.81	11546	2.80	0.65	6.0	33	615	o.r.
1620	1SG7 458-4KA80-0A.2	1485	108	95.5	96.1	96.3	96.2	0.90	0.90	0.89	0.85	10422	2.70	0.85	6.5	24	460	o.r.
1940	1SG7 503-4KA80-0A.2	1487	130	95.6	96.1	96.5	96.2	0.88	0.89	0.88	0.85	12475	2.40	0.80	5.3	37	630	o.r.
1960	1SG7 503-4KA80-0C.2	1488	132	95.7	96.2	96.5	96.2	0.88	0.89	0.89	0.86	12592	2.35	0.60	4.9	45	605	o.r.
2140	1SG7 504-4KA80-0C.2	1491	146	96.0	96.4	96.5	95.9	0.88	0.88	0.86	0.79	13718	2.65	0.65	5.6	50	670	o.r.
2000	1SG7 504-4KA80-0A.2	1486	134	95.7	96.2	96.5	96.3	0.88	0.90	0.90	0.87	12860	2.45	0.90	5.5	40	625	o.r.
2330	1SG7 507-4KA80-0C.2	1490	158	96.1	96.5	96.7	96.2	0.87	0.88	0.87	0.82	14943	2.45	0.55	5.2	55	745	o.r.
2260	1SG7 507-4KA80-0A.2	1487	152	95.8	96.4	96.7	96.5	0.88	0.89	0.90	0.87	14533	2.40	0.85	5.5	46	765	o.r.
2530	1SG7 508-4KA80-0C.2	1491	170	96.3	96.7	96.8	96.4	0.89	0.89	0.89	0.84	16215	2.80	0.75	6.0	62	815	o.r.
2520	1SG7 508-4KA80-0A.2	1488	170	96.1	96.6	96.8	96.5	0.89	0.89	0.89	0.85	16185	2.70	1.00	6.2	50	800	o.r.
2800	1SG7 563-4KA80-0C.2	1492	188	96.5	96.7	97.0	96.6	0.88	0.89	0.87	0.83	17937	2.45	0.65	6.0	80	825	o.r.
3350	1SG7 564-4KA80-0C.2	1491	224	96.5	96.9	97.1	96.9	0.88	0.89	0.89	0.86	21478	2.25	0.60	5.4	90	945	o.r.
3600	1SG7 566-4KA80-0C.2	1492	238	96.7	97.0	97.2	96.9	0.89	0.90	0.89	0.86	23062	2.50	0.75	6.1	100	975	o.r.
4150	1SG7 567-4KA80-0C.2	1491	274	96.8	97.1	97.4	97.1	0.89	0.90	0.90	0.86	26587	2.50	0.75	6.1	110	995	o.r.
4500	1SG7 568-4KA80-0C.2	1492	300	97.0	97.2	97.4	97.1	0.90	0.89	0.89	0.84	28809	2.60	0.75	6.4	119	1015	o.r.
5050	1SG8 633-4KA80-0C.0	1492	340	96.5	96.8	96.7	96.1	0.88	0.89	0.87	0.82	32322	2.50	0.60	5.9	151	780	o.r.
5600	1SG8 634-4KA80-0C.2	1492	370	96.7	96.9	96.9	96.3	0.89	0.90	0.88	0.84	35842	2.50	0.60	6.0	166	1060	o.r.
6150	1SG8 637-4KA80-0C.0	1492	410	96.8	97.1	97.0	96.4	0.88	0.89	0.87	0.81	39362	2.60	0.55	6.0	181	950	o.r.
6750	1SG8 638-4KA80-0C.0	1492	450	97.0	97.2	97.1	96.6	0.88	0.89	0.87	0.81	43202	2.45	0.50	6.0	196	1060	o.r.
7050	1SG8 712-4KA80-0C.0	1491	465	96.7	97.1	97.2	96.8	0.88	0.90	0.90	0.88	45153	2.25	0.50	5.4	259	960	o.r.
7650	1SG8 713-4KA80-0C.0	1492	500	96.9	97.3	97.3	96.9	0.89	0.91	0.90	0.88	48963	2.40	0.50	5.7	284	1040	o.r.
8350	1SG8 714-4KA80-0C.0	1492	540	97.0	97.4	97.4	97.0	0.90	0.91	0.91	0.88	53443	2.50	0.55	6.0	312	1120	o.r.
9250	1SG8 717-4KA80-0C.0	1492	600	97.2	97.5	97.5	97.1	0.90	0.91	0.91	0.88	59203	2.55	0.55	6.0	345	1260	o.r.
9450	1SG8 718-4KA80-0C.0	1493	610	97.2	97.5	97.5	97.1	0.90	0.91	0.90	0.87	60443	2.60	0.50	6.0	362	1450	o.r.
6-pole: $n_{sync} = 1000$ rpm at 50 Hz																		
860	1SG7 452-6KA80-0A.2	990	61	94.3	95.1	95.3	95.1	0.85	0.85	0.81	0.72	8298	2.35	0.80	5.4	20	510	o.r.
880	1SG7 452-6KA80-0C.2	990	62	94.1	95.0	95.3	95.2	0.85	0.86	0.83	0.75	8492	2.35	0.65	5.0	27	645	o.r.
930	1SG7 453-6KA80-0A.0	990	66	94.4	95.1	95.4	95.2	0.85	0.85	0.82	0.73	8973	2.40	0.80	5.7	22	525	o.r.
950	1SG7 453-6KA80-0C.0	990	67	94.3	95.1	95.4	95.3	0.85	0.86	0.83	0.76	9169	2.40	0.65	5.2	30	650	o.r.
1010	1SG7 454-6KA80-0A.2	990	71	94.5	95.3	95.6	95.4	0.85	0.86	0.83	0.74	9744	2.50	0.85	5.7	24	600	o.r.
1020	1SG7 454-6KA80-0C.2	990	72	94.5	95.3	95.6	95.5	0.86	0.86	0.84	0.76	9843	2.50	0.70	5.4	33	770	o.r.
1120	1SG7 457-6KA80-0A.2	990	78	94.8	95.5	95.8	95.7	0.86	0.87	0.84	0.76	10806	2.50	0.85	5.5	28	670	o.r.
1120	1SG7 457-6KA80-0C.2	990	78	94.8	95.5	95.8	95.7	0.86	0.87	0.85	0.78	10807	2.50	0.70	5.5	36	880	o.r.
1250	1SG7 458-6KA80-0A.2	990	87	94.9	95.6	96.0	96.0	0.87	0.87	0.85	0.78	12062	2.50	0.85	5.5	31	690	o.r.
1250	1SG7 458-6KA80-0C.2	990	87	94.9	95.6	96.0	95.9	0.87	0.87	0.85	0.79	12063	2.50	0.70	5.5	41	895	o.r.

Innomotics HV M - 1SG. IC616 10000 V / 50 Hz B3 (IM 1001)																		
Rated power IEC	Article No.	Speed	Rated current I_R	Efficiency				Power factor				Torque T_R	Breakdown torque T_B/ T_R	Locked rotor torque T_{LR}/ T_R	Locked rotor current I_{LR}/ I_R	Inertia		
				5/4 load	4/4 load	3/4 load	2/4 load	5/4 load	4/4 load	3/4 load	2/4 load					motor	external	Startup max T/TR
kW		rpm	A	%	%	%	%	cos φ	cos φ	cos φ	cos φ	Nm	[-]	[-]	[-]	kgm ²	kgm ²	[-]
1550	1SG7 503-6KA80-0A.2	991	97	95.1	96.0	96.3	96.2	0.85	0.86	0.86	0.81	14955	2.15	0.80	4.6	46	1080	o.r.
1700	1SG7 504-6KA80-0A.2	991	110	95.4	96.1	96.4	96.4	0.86	0.86	0.85	0.80	16390	2.30	0.90	5.0	51	1280	o.r.
1950	1SG7 507-6KA80-0A.2	991	124	95.7	96.2	96.6	96.5	0.86	0.86	0.85	0.79	18794	2.40	0.95	5.2	58	1560	o.r.
2050	1SG7 508-6KA80-0A.2	991	138	95.8	96.3	96.6	96.4	0.87	0.86	0.85	0.78	19753	2.55	1.00	5.6	63	1540	o.r.
2240	1SG7 561-6KA80-0C.2	994	156	95.9	96.2	96.4	96.0	0.85	0.86	0.81	0.75	21531	2.10	0.65	6.0	97	2095	o.r.
2600	1SG7 562-6KA80-0C.2	993	182	95.7	96.3	96.2	95.8	0.85	0.86	0.83	0.78	25011	2.10	0.60	6.0	105	1890	o.r.
2650	1SG7 563-6KA80-0C.2	993	184	95.8	96.4	96.5	96.2	0.85	0.86	0.86	0.82	25514	2.00	0.60	5.5	113	1725	o.r.
3000	1SG7 564-6KA80-0C.2	994	210	96.2	96.5	96.5	96.2	0.86	0.86	0.83	0.77	28898	2.00	0.60	6.0	124	2065	o.r.
3300	1SG7 567-6KA80-0C.2	993	230	96.3	96.6	96.8	96.5	0.86	0.86	0.85	0.80	31736	2.00	0.60	6.0	137	3135	o.r.
3550	1SG7 568-6KA80-0C.2	994	245	96.5	96.8	96.9	96.7	0.86	0.86	0.84	0.78	34108	2.20	0.65	6.0	151	2955	o.r.
4000	1SG8 632-6KA80-0C.2	993	280	96.1	96.5	96.6	96.0	0.85	0.86	0.83	0.75	38466	2.35	0.60	5.4	193	2320	o.r.
4150	1SG8 633-6KA80-0C.0	993	285	96.3	96.6	96.7	96.1	0.85	0.87	0.83	0.75	39909	2.45	0.60	5.5	209	2630	o.r.
4500	1SG8 634-6KA80-0C.2	993	310	96.4	96.7	96.8	96.3	0.86	0.87	0.84	0.77	43275	2.45	0.60	5.5	227	2870	o.r.
4800	1SG8 637-6KA80-0C.0	993	330	96.5	96.8	96.9	96.3	0.86	0.87	0.84	0.77	46160	2.50	0.60	5.5	247	3230	o.r.
5000	1SG8 638-6KA80-0C.2	994	340	96.6	96.9	96.9	96.3	0.86	0.87	0.83	0.74	48035	2.55	0.60	5.5	264	3730	o.r.
5700	1SG8 712-6KA80-0C.0	994	390	96.7	97.1	97.2	96.7	0.86	0.87	0.84	0.77	54760	2.40	0.55	5.5	331	2880	o.r.
6300	1SG8 713-6KA80-0C.2	994	430	96.9	97.2	97.3	96.9	0.86	0.87	0.85	0.79	60524	2.45	0.60	5.5	374	3260	o.r.
6900	1SG8 714-6KA80-0C.0	994	465	97.0	97.3	97.4	97.0	0.87	0.88	0.86	0.79	66288	2.50	0.55	5.5	423	3810	o.r.
7450	1SG8 717-6KA80-0C.0	994	500	97.0	97.4	97.5	97.2	0.87	0.88	0.87	0.82	71572	2.30	0.50	5.5	476	4530	o.r.
8150	1SG8 718-6KA80-0C.0	995	550	97.2	97.5	97.5	97.2	0.87	0.88	0.85	0.79	78218	2.45	0.50	5.5	520	5150	o.r.
8-pole: n_{sync} = 750 rpm at 50 Hz																		
580	1SG7 451-8KA80-0A.0	741	44	93.4	94.4	94.8	94.6	0.81	0.81	0.75	0.64	7472	2.05	0.70	5.3	23	600	o.r.
630	1SG7 452-8KA80-0A.0	741	47	93.4	94.5	94.9	94.8	0.82	0.82	0.77	0.66	8115	2.10	0.70	5.5	25	610	o.r.
720	1SG7 453-8KA80-0A.2	742	54	94.1	95.0	95.3	95.1	0.81	0.81	0.75	0.64	9272	2.25	0.75	5.5	28	940	o.r.
820	1SG7 454-8KA80-0A.2	743	63	94.6	95.3	95.4	95.2	0.81	0.79	0.72	0.58	10545	2.45	0.85	5.4	31	1300	o.r.
900	1SG7 457-8KA80-0A.2	743	68	94.7	95.4	95.6	95.4	0.81	0.80	0.73	0.60	11574	2.50	0.85	5.5	35	1400	o.r.
1000	1SG7 458-8KA80-0A.2	743	76	94.8	95.5	95.7	95.4	0.82	0.80	0.74	0.61	12861	2.55	0.85	5.5	39	1430	o.r.
1120	1SG7 502-8KA80-0C.2	743	81	94.9	95.7	96.1	96.1	0.82	0.83	0.81	0.73	14406	2.15	0.55	4.1	59	2040	o.r.
1220	1SG7 503-8KA80-0A.2	743	89	95.1	95.8	96.2	96.2	0.82	0.83	0.80	0.73	15693	2.10	0.80	4.3	51	2290	o.r.
1250	1SG7 503-8KA80-0C.2	742	91	95.0	95.8	96.2	96.3	0.82	0.83	0.82	0.75	16095	2.10	0.55	4.0	65	2130	o.r.
1280	1SG7 504-8KA80-0A.2	743	93	95.3	95.9	96.3	96.3	0.83	0.83	0.80	0.73	16457	2.20	0.85	4.5	56	2100	o.r.
1300	1SG7 504-8KA80-0C.2	743	93	95.2	95.9	96.3	96.3	0.84	0.84	0.81	0.74	16722	2.25	0.60	4.3	72	2330	o.r.
1400	1SG7 507-8KA80-0A.2	744	102	95.4	96.1	96.4	96.4	0.83	0.83	0.80	0.74	17995	2.25	0.85	4.7	63	2370	o.r.
1480	1SG7 507-8KA80-0C.2	743	106	95.4	96.0	96.4	96.5	0.83	0.84	0.82	0.75	19039	2.20	0.65	4.3	80	2970	o.r.
1600	1SG7 508-8KA80-0A.2	744	116	95.6	96.2	96.5	96.4	0.82	0.83	0.81	0.73	20561	2.30	0.90	4.7	69	2680	o.r.
1620	1SG7 508-8KA80-0C.2	743	116	95.7	96.2	96.5	96.5	0.83	0.84	0.81	0.74	20824	2.35	0.65	4.5	88	3340	o.r.
1880	1SG7 563-8KA80-0C.2	744	136	95.5	96.1	96.4	96.2	0.83	0.83	0.81	0.75	24144	2.10	0.60	4.6	124	3020	o.r.

Innomotics HV M - 1SG. IC616 10000 V / 50 Hz B3 (IM 1001)																		
Rated power IEC	Article No.	Speed	Rated current I_R	Efficiency				Power factor				Torque T_R	Breakdown torque T_B/ T_R	Locked rotor torque T_{LR}/ T_R	Locked rotor current I_{LR}/ I_R	Inertia		
				5/4 load	4/4 load	3/4 load	2/4 load	5/4 load	4/4 load	3/4 load	2/4 load					motor	external	Startup max T/TR
kW		rpm	A	%	%	%	%	$\cos \varphi$	$\cos \varphi$	$\cos \varphi$	$\cos \varphi$	Nm	[-]	[-]	[-]	kgm ²	kgm ²	[-]
2080	1SG7 564-8KA80-0C.2	744	150	95.8	96.3	96.5	96.2	0.83	0.83	0.81	0.74	26711	2.20	0.65	4.9	137	3650	o.r.
2300	1SG7 567-8KA80-0C.2	744	164	95.9	96.4	96.7	96.5	0.83	0.84	0.82	0.76	29553	2.10	0.60	4.7	150	4935	o.r.
2550	1SG7 568-8KA80-0C.2	744	182	96.1	96.6	96.8	96.6	0.83	0.84	0.82	0.75	32757	2.20	0.60	4.8	165	6225	o.r.
2800	1SG8 633-8KA80-0C.2	744	198	95.4	95.9	95.9	95.4	0.85	0.85	0.81	0.72	35938	2.15	0.45	4.7	216	2980	o.r.
3250	1SG8 634-8KA80-0C.0	744	230	95.7	96.2	96.2	95.7	0.85	0.85	0.81	0.73	41714	2.20	0.50	4.8	251	4820	o.r.
3600	1SG8 637-8KA80-0C.0	745	255	96.0	96.4	96.3	95.7	0.85	0.84	0.79	0.68	46144	2.40	0.50	5.1	291	5730	o.r.
3800	1SG8 638-8KA80-0C.0	745	270	96.2	96.5	96.3	95.7	0.85	0.84	0.78	0.67	48708	2.50	0.55	5.5	324	6970	o.r.
4250	1SG8 713-8KA80-0C.0	746	275	96.3	96.7	96.7	96.3	0.87	0.87	0.83	0.74	54403	2.40	0.55	5.2	471	4400	o.r.
4800	1SG8 714-8KA80-0C.0	746	310	96.5	96.8	96.8	96.4	0.86	0.86	0.82	0.74	61443	2.40	0.50	5.1	536	4580	o.r.
5250	1SG8 717-8KA80-0C.0	746	340	96.6	97.0	97.0	96.7	0.87	0.88	0.84	0.77	67203	2.40	0.55	5.2	616	5990	o.r.
5500	1SG8 718-8KA80-0C.0	746	370	96.7	97.0	97.1	96.7	0.88	0.88	0.84	0.77	70404	2.50	0.60	5.5	680	6130	o.r.

Motor type	Weight		Dimensions									
	kg	A mm	AD mm	AE mm	B mm	C mm	D mm	E mm	H mm	HD mm	L mm	ML mm
Innomotics HV M - 1SG. IC616 10000 V / 50 Hz B3 (IM 1001) - Dimension drawings												
2-pole												
1SG7 453-2KA80-0AA2	4700	850	1140	1760	1180	250	95	130	450	2350	2640	o.r.
1SG7 453-2KA80-0AC2	4550	850	1140	1760	1180	475	95	130	450	2350	2870	o.r.
1SG7 453-2KA80-0CA2	4800	850	1140	1760	1180	250	95	130	450	2350	2640	o.r.
1SG7 453-2KA80-0CC2	4700	850	1140	1760	1180	475	95	130	450	2350	2870	o.r.
1SG7 454-2KA80-0CA2	4900	850	1140	1760	1180	250	95	130	450	2350	2640	o.r.
1SG7 454-2KA80-0CC2	4850	850	1140	1760	1180	475	95	130	450	2350	2870	o.r.
1SG7 454-2KA80-0AA2	4800	850	1140	1760	1180	250	95	130	450	2350	2640	o.r.
1SG7 454-2KA80-0AC2	4700	850	1140	1760	1180	475	95	130	450	2350	2870	o.r.
1SG7 457-2KA80-0AA2	5250	850	1140	1760	1400	250	95	130	450	2350	2850	o.r.
1SG7 457-2KA80-0AC2	5150	850	1140	1760	1400	475	95	130	450	2350	3080	o.r.
1SG7 457-2KA80-0CA2	5400	850	1140	1760	1400	250	95	130	450	2350	2850	o.r.
1SG7 457-2KA80-0CC2	5300	850	1140	1760	1400	475	95	130	450	2350	3080	o.r.
1SG7 458-2KA80-0AA2	5450	850	1140	1760	1400	250	95	130	450	2350	2850	o.r.
1SG7 458-2KA80-0AC2	5350	850	1140	1760	1400	475	95	130	450	2350	3080	o.r.
1SG7 458-2KA80-0CA2	5600	850	1140	1760	1400	250	95	130	450	2350	2850	o.r.
1SG7 458-2KA80-0CC2	5500	850	1140	1760	1400	475	95	130	450	2350	3080	o.r.
1SG7 503-2KA80-0AA2	6450	950	1220	1920	1320	250	110	165	500	2710	2920	o.r.
1SG7 503-2KA80-0AC2	6400	950	1220	1920	1320	530	120	165	500	2710	3200	o.r.
1SG7 503-2KA80-0CA2	6600	950	1220	1920	1320	250	110	165	500	2710	2920	o.r.
1SG7 503-2KA80-0CC2	6500	950	1220	1920	1320	530	120	165	500	2710	3200	o.r.
1SG7 504-2KA80-0AA2	6500	950	1220	1920	1320	250	110	165	500	2710	2920	o.r.
1SG7 504-2KA80-0AC2	6450	950	1220	1920	1320	530	120	165	500	2710	3200	o.r.
1SG7 504-2KA80-0CA2	6650	950	1220	1920	1320	250	110	165	500	2710	2920	o.r.
1SG7 504-2KA80-0CC2	6600	950	1220	1920	1320	530	120	165	500	2710	3200	o.r.
1SG7 507-2KA80-0AA2	7200	950	1220	1920	1500	250	110	165	500	2710	3130	o.r.
1SG7 507-2KA80-0AC2	7150	950	1220	1920	1500	530	120	165	500	2710	3410	o.r.
1SG7 507-2KA80-0CA2	7350	950	1220	1920	1500	250	110	165	500	2710	3130	o.r.
1SG7 507-2KA80-0CC2	7300	950	1220	1920	1500	530	120	165	500	2710	3410	o.r.
1SG7 508-2KA80-0CA2	7750	950	1220	1920	1500	250	110	165	500	2710	3130	o.r.
1SG7 508-2KA80-0CC2	7700	950	1220	1920	1500	530	120	165	500	2710	3410	o.r.
1SG7 508-2KA80-0AA2	7600	950	1220	1920	1500	250	110	165	500	2710	3130	o.r.
1SG7 508-2KA80-0AC2	7550	950	1220	1920	1500	530	120	165	500	2710	3410	o.r.
1SG7 562-2KA80-0CC2	8100	1060	1290	2060	1400	600	150	200	560	2830	3440	o.r.
1SG7 563-2KA80-0CC2	8400	1060	1290	2060	1400	600	150	200	560	2830	3440	o.r.
1SG7 564-2KA80-0CC2	8650	1060	1290	2060	1400	600	150	200	560	2830	3440	o.r.
1SG7 567-2KA80-0CC2	9550	1060	1290	2060	1600	600	150	200	560	2830	3670	o.r.

Motor type	Weight	Dimensions										
	kg	A mm	AD mm	AE mm	B mm	C mm	D mm	E mm	H mm	HD mm	L mm	ML mm
Innomotics HV M - 1SG. IC616 10000 V / 50 Hz B3 (IM 1001) - Dimension drawings												
1SG7 568-2KA80-0CC2	10050	1060	1290	2060	1600	600	150	200	560	2830	3670	o.r.
1SG8 633-2KA80-0CJ0	10850	1320	1520	2520	1600	560	160	240	630	3800	4060	o.r.
1SG8 634-2KA80-0CJ2	11350	1320	1520	2520	1600	560	160	240	630	3800	4060	o.r.
1SG8 637-2KA80-0CJ0	12250	1320	1520	2520	1800	560	160	240	630	3800	4260	o.r.
1SG8 638-2KA80-0CJ0	12850	1320	1520	2520	1800	560	160	240	630	3800	4260	o.r.
1SG8 712-2KA80-0CJ0	14300	1500	1620	2720	2000	560	180	240	710	3090	4070	o.r.
1SG8 713-2KA80-0CJ0	14950	1500	1620	2720	2000	560	180	240	710	3090	4070	o.r.
1SG8 714-2KA80-0CJ0	15650	1500	1620	2720	2000	560	180	240	710	3090	4070	o.r.
1SG8 716-2KA80-0CJ0	16750	1500	1620	2720	2240	560	180	240	710	3090	4310	o.r.
1SG8 717-2KA80-0CJ0	17550	1500	1620	2720	2240	560	180	240	710	3090	4310	o.r.
1SG8 718-2KA80-0CJ2	18500	1500	1620	2720	2240	560	180	240	710	3090	4310	o.r.
4-pole												
1SG7 453-4KA80-0AA2	4650	850	1140	1760	1180	250	130	200	450	2350	2710	o.r.
1SG7 453-4KA80-0AC2	4700	850	1140	1760	1180	500	130	200	450	2350	2960	o.r.
1SG7 453-4KA80-0CA2	4800	850	1140	1760	1180	250	130	200	450	2350	2710	o.r.
1SG7 453-4KA80-0CC2	4850	850	1140	1760	1180	500	130	200	450	2350	2960	o.r.
1SG7 454-4KA80-0AA2	4800	850	1140	1760	1180	250	130	200	450	2350	2710	o.r.
1SG7 454-4KA80-0AC2	4850	850	1140	1760	1180	500	130	200	450	2350	2960	o.r.
1SG7 454-4KA80-0CA2	5000	850	1140	1760	1180	250	130	200	450	2350	2710	o.r.
1SG7 454-4KA80-0CC2	5000	850	1140	1760	1180	500	130	200	450	2350	2960	o.r.
1SG7 457-4KA80-0CA2	5650	850	1140	1760	1400	250	130	200	450	2350	2920	o.r.
1SG7 457-4KA80-0CC2	5700	850	1140	1760	1400	500	130	200	450	2350	3170	o.r.
1SG7 457-4KA80-0AA2	5450	850	1140	1760	1400	250	130	200	450	2350	2920	o.r.
1SG7 457-4KA80-0AC2	5450	850	1140	1760	1400	500	130	200	450	2350	3170	o.r.
1SG7 458-4KA80-0CA2	5850	850	1140	1760	1400	250	130	200	450	2350	2920	o.r.
1SG7 458-4KA80-0CC2	5900	850	1140	1760	1400	500	130	200	450	2350	3170	o.r.
1SG7 458-4KA80-0AA2	5650	850	1140	1760	1400	250	130	200	450	2350	2920	o.r.
1SG7 458-4KA80-0AC2	5700	850	1140	1760	1400	500	130	200	450	2350	3170	o.r.
1SG7 503-4KA80-0AA2	6700	950	1220	1920	1320	315	160	240	500	2710	3060	o.r.
1SG7 503-4KA80-0AC2	6800	950	1220	1920	1320	560	170	240	500	2710	3300	o.r.
1SG7 503-4KA80-0CA2	6850	950	1220	1920	1320	315	160	240	500	2710	3060	o.r.
1SG7 503-4KA80-0CC2	6950	950	1220	1920	1320	560	170	240	500	2710	3300	o.r.
1SG7 504-4KA80-0CA2	7100	950	1220	1920	1320	315	160	240	500	2710	3060	o.r.
1SG7 504-4KA80-0CC2	7150	950	1220	1920	1320	560	170	240	500	2710	3300	o.r.
1SG7 504-4KA80-0AA2	6950	950	1220	1920	1320	315	160	240	500	2710	3060	o.r.
1SG7 504-4KA80-0AC2	7000	950	1220	1920	1320	560	170	240	500	2710	3300	o.r.
1SG7 507-4KA80-0CA2	7800	950	1220	1920	1500	315	160	240	500	2710	3270	o.r.

Motor type	Weight		Dimensions									
	kg	A mm	AD mm	AE mm	B mm	C mm	D mm	E mm	H mm	HD mm	L mm	ML mm
Innomotics HV M - 1SG. IC616 10000 V / 50 Hz B3 (IM 1001) - Dimension drawings												
1SG7 507-4KA80-0CC2	7850	950	1220	1920	1500	560	170	240	500	2710	3510	o.r.
1SG7 507-4KA80-0AA2	7600	950	1220	1920	1500	315	160	240	500	2710	3270	o.r.
1SG7 507-4KA80-0AC2	7700	950	1220	1920	1500	560	170	240	500	2710	3510	o.r.
1SG7 508-4KA80-0CA2	8150	950	1220	1920	1500	315	160	240	500	2710	3270	o.r.
1SG7 508-4KA80-0CC2	8200	950	1220	1920	1500	560	170	240	500	2710	3510	o.r.
1SG7 508-4KA80-0AA2	7950	950	1220	1920	1500	315	160	240	500	2710	3270	o.r.
1SG7 508-4KA80-0AC2	8050	950	1220	1920	1500	560	170	240	500	2710	3510	o.r.
1SG7 563-4KA80-0CA2	8450	1060	1290	2060	1400	335	190	280	560	2830	3250	o.r.
1SG7 563-4KA80-0CC2	8500	1060	1290	2060	1400	600	190	280	560	2830	3520	o.r.
1SG7 564-4KA80-0CA2	8900	1060	1290	2060	1400	335	190	280	560	2830	3250	o.r.
1SG7 564-4KA80-0CC2	8950	1060	1290	2060	1400	600	190	280	560	2830	3520	o.r.
1SG7 566-4KA80-0CA2	9700	1060	1290	2060	1600	335	190	280	560	2830	3480	o.r.
1SG7 566-4KA80-0CC2	9750	1060	1290	2060	1600	600	190	280	560	2830	3750	o.r.
1SG7 567-4KA80-0CA2	10200	1060	1290	2060	1600	335	190	280	560	2830	3480	o.r.
1SG7 567-4KA80-0CC2	10250	1060	1290	2060	1600	600	190	280	560	2830	3750	o.r.
1SG7 568-4KA80-0CA2	10600	1060	1290	2060	1600	335	190	280	560	2830	3480	o.r.
1SG7 568-4KA80-0CC2	10650	1060	1290	2060	1600	600	190	280	560	2830	3750	o.r.
1SG8 633-4KA80-0CG0	11500	1320	1520	2520	1600	375	200	280	630	3800	3920	o.r.
1SG8 633-4KA80-0CJ0	11600	1320	1520	2520	1600	630	200	280	630	3800	4170	o.r.
1SG8 634-4KA80-0CG2	12100	1320	1520	2520	1600	375	200	280	630	3800	3920	o.r.
1SG8 634-4KA80-0CJ2	12200	1320	1520	2520	1600	630	200	280	630	3800	4170	o.r.
1SG8 637-4KA80-0CG0	13000	1320	1520	2520	1800	375	200	280	630	3800	4120	o.r.
1SG8 637-4KA80-0CJ0	13100	1320	1520	2520	1800	630	200	280	630	3800	4370	o.r.
1SG8 638-4KA80-0CG0	13600	1320	1520	2520	1800	375	200	280	630	3800	4120	o.r.
1SG8 638-4KA80-0CJ0	13700	1320	1520	2520	1800	630	200	280	630	3800	4370	o.r.
1SG8 712-4KA80-0CG0	15400	1500	1620	2720	2000	375	220	280	710	3090	3920	o.r.
1SG8 712-4KA80-0CJ0	15550	1500	1620	2720	2000	630	220	280	710	3090	4180	o.r.
1SG8 713-4KA80-0CG0	16100	1500	1620	2720	2000	375	220	280	710	3090	3920	o.r.
1SG8 713-4KA80-0CJ0	16250	1500	1620	2720	2000	630	220	280	710	3090	4180	o.r.
1SG8 714-4KA80-0CG0	16850	1500	1620	2720	2000	375	220	280	710	3090	3920	o.r.
1SG8 714-4KA80-0CJ0	17000	1500	1620	2720	2000	630	220	280	710	3090	4180	o.r.
1SG8 717-4KA80-0CG0	18200	1500	1620	2720	2240	375	220	280	710	3090	4160	o.r.
1SG8 717-4KA80-0CJ0	18350	1500	1620	2720	2240	630	220	280	710	3090	4420	o.r.
1SG8 718-4KA80-0CG0	18700	1500	1620	2720	2240	375	220	280	710	3090	4160	o.r.
1SG8 718-4KA80-0CJ0	18850	1500	1620	2720	2240	630	220	280	710	3090	4420	o.r.
6-pole												
1SG7 452-6KA80-0AA2	4550	850	1140	1760	1180	250	130	200	450	2350	2710	o.r.

Motor type	Weight	Dimensions										
	kg	A mm	AD mm	AE mm	B mm	C mm	D mm	E mm	H mm	HD mm	L mm	ML mm
Innomotics HV M - 1SG. IC616 10000 V / 50 Hz B3 (IM 1001) - Dimension drawings												
1SG7 452-6KA80-0AC2	4550	850	1140	1760	1180	500	130	200	450	2350	2960	o.r.
1SG7 452-6KA80-0CA2	4700	850	1140	1760	1180	250	130	200	450	2350	2710	o.r.
1SG7 452-6KA80-0CC2	4700	850	1140	1760	1180	500	130	200	450	2350	2960	o.r.
1SG7 453-6KA80-0AA0	4650	850	1140	1760	1180	250	130	200	450	2350	2710	o.r.
1SG7 453-6KA80-0AC0	4700	850	1140	1760	1180	500	130	200	450	2350	2960	o.r.
1SG7 453-6KA80-0CA0	4850	850	1140	1760	1180	250	130	200	450	2350	2710	o.r.
1SG7 453-6KA80-0CC0	4850	850	1140	1760	1180	500	130	200	450	2350	2960	o.r.
1SG7 454-6KA80-0AA2	4850	850	1140	1760	1180	250	130	200	450	2350	2710	o.r.
1SG7 454-6KA80-0AC2	4900	850	1140	1760	1180	500	130	200	450	2350	2960	o.r.
1SG7 454-6KA80-0CA2	5000	850	1140	1760	1180	250	130	200	450	2350	2710	o.r.
1SG7 454-6KA80-0CC2	5050	850	1140	1760	1180	500	130	200	450	2350	2960	o.r.
1SG7 457-6KA80-0AA2	5350	850	1140	1760	1400	250	130	200	450	2350	2920	o.r.
1SG7 457-6KA80-0AC2	5350	850	1140	1760	1400	500	130	200	450	2350	3170	o.r.
1SG7 457-6KA80-0CA2	5500	850	1140	1760	1400	250	130	200	450	2350	2920	o.r.
1SG7 457-6KA80-0CC2	5550	850	1140	1760	1400	500	130	200	450	2350	3170	o.r.
1SG7 458-6KA80-0AA2	5600	850	1140	1760	1400	250	130	200	450	2350	2920	o.r.
1SG7 458-6KA80-0AC2	5650	850	1140	1760	1400	500	130	200	450	2350	3170	o.r.
1SG7 458-6KA80-0CA2	5800	850	1140	1760	1400	250	130	200	450	2350	2920	o.r.
1SG7 458-6KA80-0CC2	5850	850	1140	1760	1400	500	130	200	450	2350	3170	o.r.
1SG7 503-6KA80-0AA2	6750	950	1220	1920	1320	315	160	240	500	2620	3060	o.r.
1SG7 503-6KA80-0AC2	6800	950	1220	1920	1320	560	170	240	500	2620	3300	o.r.
1SG7 504-6KA80-0AA2	7000	950	1220	1920	1320	315	160	240	500	2620	3060	o.r.
1SG7 504-6KA80-0AC2	7050	950	1220	1920	1320	560	170	240	500	2620	3300	o.r.
1SG7 507-6KA80-0AA2	7750	950	1220	1920	1500	315	160	240	500	2620	3270	o.r.
1SG7 507-6KA80-0AC2	7800	950	1220	1920	1500	560	170	240	500	2620	3510	o.r.
1SG7 508-6KA80-0AA2	8000	950	1220	1920	1500	315	160	240	500	2620	3270	o.r.
1SG7 508-6KA80-0AC2	8050	950	1220	1920	1500	560	170	240	500	2620	3510	o.r.
1SG7 561-6KA80-0CA2	8450	1060	1290	2060	1400	335	190	280	560	2830	3250	o.r.
1SG7 561-6KA80-0CC2	8500	1060	1290	2060	1400	600	190	280	560	2830	3520	o.r.
1SG7 562-6KA80-0CA2	8750	1060	1290	2060	1400	335	190	280	560	2830	3250	o.r.
1SG7 562-6KA80-0CC2	8800	1060	1290	2060	1400	600	190	280	560	2830	3520	o.r.
1SG7 563-6KA80-0CA2	9050	1060	1290	2060	1400	335	190	280	560	2830	3250	o.r.
1SG7 563-6KA80-0CC2	9100	1060	1290	2060	1400	600	190	280	560	2830	3520	o.r.
1SG7 564-6KA80-0CA2	9450	1060	1290	2060	1400	335	190	280	560	2830	3250	o.r.
1SG7 564-6KA80-0CC2	9500	1060	1290	2060	1400	600	190	280	560	2830	3520	o.r.
1SG7 567-6KA80-0CA2	10350	1060	1290	2060	1600	335	190	280	560	2830	3480	o.r.
1SG7 567-6KA80-0CC2	10400	1060	1290	2060	1600	600	190	280	560	2830	3750	o.r.

Motor type	Weight	Dimensions										
	kg	A mm	AD mm	AE mm	B mm	C mm	D mm	E mm	H mm	HD mm	L mm	ML mm
Innomotics HV M - 1SG. IC616 10000 V / 50 Hz B3 (IM 1001) - Dimension drawings												
1SG7 568-6KA80-OCA2	10950	1060	1290	2060	1600	335	190	280	560	2830	3480	o.r.
1SG7 568-6KA80-OCC2	11000	1060	1290	2060	1600	600	190	280	560	2830	3750	o.r.
1SG8 632-6KA80-OCG2	11450	1320	1520	2520	1600	375	200	280	630	3700	3920	o.r.
1SG8 632-6KA80-OCJ2	11600	1320	1520	2520	1600	630	200	280	630	3700	4170	o.r.
1SG8 633-6KA80-OCG0	11900	1320	1520	2520	1600	375	200	280	630	3700	3920	o.r.
1SG8 633-6KA80-OCJ0	12000	1320	1520	2520	1600	630	200	280	630	3700	4170	o.r.
1SG8 634-6KA80-OCG2	12450	1320	1520	2520	1600	375	200	280	630	3700	3920	o.r.
1SG8 634-6KA80-OCJ2	12550	1320	1520	2520	1600	630	200	280	630	3700	4170	o.r.
1SG8 637-6KA80-OCG0	13250	1320	1520	2520	1800	375	200	280	630	3700	4120	o.r.
1SG8 637-6KA80-OCJ0	13350	1320	1520	2520	1800	630	200	280	630	3700	4370	o.r.
1SG8 638-6KA80-OCG2	13750	1320	1520	2520	1800	375	200	280	630	3700	4120	o.r.
1SG8 638-6KA80-OCJ2	13900	1320	1520	2520	1800	630	200	280	630	3700	4370	o.r.
1SG8 712-6KA80-OCG0	15400	1500	1620	2720	2000	375	220	280	710	3090	3920	o.r.
1SG8 712-6KA80-OCJ0	15500	1500	1620	2720	2000	630	220	280	710	3090	4180	o.r.
1SG8 713-6KA80-OCG2	16350	1500	1620	2720	2000	375	220	280	710	3090	3920	o.r.
1SG8 713-6KA80-OCJ2	16500	1500	1620	2720	2000	630	220	280	710	3090	4180	o.r.
1SG8 714-6KA80-OCG0	17350	1500	1620	2720	2000	375	220	280	710	3090	3920	o.r.
1SG8 714-6KA80-OCJ0	17500	1500	1620	2720	2000	630	220	280	710	3090	4180	o.r.
1SG8 717-6KA80-OCG0	18900	1500	1620	2720	2240	375	220	280	710	3090	4160	o.r.
1SG8 717-6KA80-OCJ0	19050	1500	1620	2720	2240	630	220	280	710	3090	4420	o.r.
1SG8 718-6KA80-OCG0	19950	1500	1620	2720	2240	375	220	280	710	3090	4160	o.r.
1SG8 718-6KA80-OCJ0	20050	1500	1620	2720	2240	630	220	280	710	3090	4420	o.r.
8-pole												
1SG7 451-8KA80-0AA0	4500	850	1140	1760	1180	250	130	200	450	2350	2710	o.r.
1SG7 451-8KA80-0AC0	4550	850	1140	1760	1180	500	130	200	450	2350	2960	o.r.
1SG7 452-8KA80-0AA0	4650	850	1140	1760	1180	250	130	200	450	2350	2710	o.r.
1SG7 452-8KA80-0AC0	4650	850	1140	1760	1180	500	130	200	450	2350	2960	o.r.
1SG7 453-8KA80-0AA2	4850	850	1140	1760	1180	250	130	200	450	2350	2710	o.r.
1SG7 453-8KA80-0AC2	4900	850	1140	1760	1180	500	130	200	450	2350	2960	o.r.
1SG7 454-8KA80-0AA2	5100	850	1140	1760	1180	250	130	200	450	2350	2710	o.r.
1SG7 454-8KA80-0AC2	5150	850	1140	1760	1180	500	130	200	450	2350	2960	o.r.
1SG7 457-8KA80-0AA2	5600	850	1140	1760	1400	250	130	200	450	2350	2920	o.r.
1SG7 457-8KA80-0AC2	5650	850	1140	1760	1400	500	130	200	450	2350	3170	o.r.
1SG7 458-8KA80-0AA2	5850	850	1140	1760	1400	250	130	200	450	2350	2920	o.r.
1SG7 458-8KA80-0AC2	5900	850	1140	1760	1400	500	130	200	450	2350	3170	o.r.
1SG7 502-8KA80-OCA2	6700	950	1220	1920	1320	315	160	240	500	2620	3060	o.r.
1SG7 502-8KA80-OCC2	6750	950	1220	1920	1320	560	170	240	500	2620	3300	o.r.

Motor type	Weight	Dimensions										
	kg	A mm	AD mm	AE mm	B mm	C mm	D mm	E mm	H mm	HD mm	L mm	ML mm
Innomotics HV M - 1SG. IC616 10000 V / 50 Hz B3 (IM 1001) - Dimension drawings												
1SG7 503-8KA80-0AA2	6750	950	1220	1920	1320	315	160	240	500	2620	3060	o.r.
1SG7 503-8KA80-0AC2	6800	950	1220	1920	1320	560	170	240	500	2620	3300	o.r.
1SG7 503-8KA80-0CA2	7000	950	1220	1920	1320	315	160	240	500	2620	3060	o.r.
1SG7 503-8KA80-0CC2	7050	950	1220	1920	1320	560	170	240	500	2620	3300	o.r.
1SG7 504-8KA80-0AA2	7050	950	1220	1920	1320	315	160	240	500	2620	3060	o.r.
1SG7 504-8KA80-0AC2	7100	950	1220	1920	1320	560	170	240	500	2620	3300	o.r.
1SG7 504-8KA80-0CA2	7250	950	1220	1920	1320	315	160	240	500	2620	3060	o.r.
1SG7 504-8KA80-0CC2	7300	950	1220	1920	1320	560	170	240	500	2620	3300	o.r.
1SG7 507-8KA80-0AA2	7700	950	1220	1920	1500	315	160	240	500	2620	3270	o.r.
1SG7 507-8KA80-0AC2	7800	950	1220	1920	1500	560	170	240	500	2620	3510	o.r.
1SG7 507-8KA80-0CA2	8000	950	1220	1920	1500	315	160	240	500	2620	3270	o.r.
1SG7 507-8KA80-0CC2	8050	950	1220	1920	1500	560	170	240	500	2620	3510	o.r.
1SG7 508-8KA80-0AA2	8050	950	1220	1920	1500	315	160	240	500	2620	3270	o.r.
1SG7 508-8KA80-0AC2	8100	950	1220	1920	1500	560	170	240	500	2620	3510	o.r.
1SG7 508-8KA80-0CA2	8350	950	1220	1920	1500	315	160	240	500	2620	3270	o.r.
1SG7 508-8KA80-0CC2	8400	950	1220	1920	1500	560	170	240	500	2620	3510	o.r.
1SG7 563-8KA80-0CA2	8900	1060	1290	2060	1400	335	190	280	560	2830	3250	o.r.
1SG7 563-8KA80-0CC2	9000	1060	1290	2060	1400	600	190	280	560	2830	3520	o.r.
1SG7 564-8KA80-0CA2	9350	1060	1290	2060	1400	335	190	280	560	2830	3250	o.r.
1SG7 564-8KA80-0CC2	9450	1060	1290	2060	1400	600	190	280	560	2830	3520	o.r.
1SG7 567-8KA80-0CA2	10350	1060	1290	2060	1600	335	190	280	560	2830	3480	o.r.
1SG7 567-8KA80-0CC2	10400	1060	1290	2060	1600	600	190	280	560	2830	3750	o.r.
1SG7 568-8KA80-0CA2	10850	1060	1290	2060	1600	335	190	280	560	2830	3480	o.r.
1SG7 568-8KA80-0CC2	10900	1060	1290	2060	1600	600	190	280	560	2830	3750	o.r.
1SG8 633-8KA80-0CG2	10750	1320	1520	2520	1600	375	200	280	630	3700	3920	o.r.
1SG8 633-8KA80-0CJ2	10850	1320	1520	2520	1600	630	200	280	630	3700	4170	o.r.
1SG8 634-8KA80-0CG0	11600	1320	1520	2520	1600	375	200	280	630	3700	3920	o.r.
1SG8 634-8KA80-0CJ0	11700	1320	1520	2520	1600	630	200	280	630	3700	4170	o.r.
1SG8 637-8KA80-0CG0	12750	1320	1520	2520	1800	375	200	280	630	3700	4120	o.r.
1SG8 637-8KA80-0CJ0	12850	1320	1520	2520	1800	630	200	280	630	3700	4370	o.r.
1SG8 638-8KA80-0CG0	13500	1320	1520	2520	1800	375	200	280	630	3700	4120	o.r.
1SG8 638-8KA80-0CJ0	13600	1320	1520	2520	1800	630	200	280	630	3700	4370	o.r.
1SG8 713-8KA80-0CG0	15600	1500	1620	2720	2000	375	220	280	710	3090	3920	o.r.
1SG8 713-8KA80-0CJ0	15800	1500	1620	2720	2000	630	220	280	710	3090	4180	o.r.
1SG8 714-8KA80-0CG0	16700	1500	1620	2720	2000	375	220	280	710	3090	3920	o.r.
1SG8 714-8KA80-0CJ0	16900	1500	1620	2720	2000	630	220	280	710	3090	4180	o.r.
1SG8 717-8KA80-0CG0	18400	1500	1620	2720	2240	375	220	280	710	3090	4160	o.r.

Motor type	Weight	Dimensions										
	kg	A mm	AD mm	AE mm	B mm	C mm	D mm	E mm	H mm	HD mm	L mm	ML mm
Innomotics HV M - 1SG, IC616 10000 V / 50 Hz B3 (IM 1001) - Dimension drawings												
1SG8 717-8KA80-0CJ0	18550	1500	1620	2720	2240	630	220	280	710	3090	4420	o.r.
1SG8 718-8KA80-0CG0	19400	1500	1620	2720	2240	375	220	280	710	3090	4160	o.r.
1SG8 718-8KA80-0CJ0	19600	1500	1620	2720	2240	630	220	280	710	3090	4420	o.r.

Innomotics HV M - 1SG. IC616 11000 V / 50 Hz B3 (IM 1001)																		
Rated power IEC	Article No.	Speed rpm	Rated current I_R A	Efficiency				Power factor				Torque T_R Nm	Breakdown torque T_B/ T_R [-]	Locked torque T_{LR}/ T_R [-]	Locked rotor current I_{LR}/ I_R [-]	Inertia		
kW				5/4 load	4/4 load	3/4 load	2/4 load	5/4 load	4/4 load	3/4 load	2/4 load					motor	external	Startup max T/TR [-]
2-pole: $n_{sync} = 3000$ rpm at 50 Hz																		
1150	1SG7 453-2KA90-0A.0	2982	73	95.1	95.5	95.3	94.3	0.86	0.86	0.83	0.74	3683	2.80	0.60	6.5	10	60	o.r.
1150	1SG7 453-2KA90-0C.0	2983	71	95.1	95.5	95.3	94.3	0.89	0.89	0.87	0.82	3681	2.85	0.70	6.5	14	70	o.r.
1250	1SG7 454-2KA90-0A.0	2982	78	95.2	95.7	95.6	94.9	0.88	0.88	0.86	0.81	4003	2.80	0.60	6.5	11	60	o.r.
1250	1SG7 454-2KA90-0C.0	2983	76	95.2	95.6	95.4	94.5	0.90	0.90	0.89	0.84	4002	2.90	0.75	6.5	15	70	o.r.
1440	1SG7 457-2KA90-0A.0	2982	90	95.4	95.8	95.7	94.8	0.88	0.88	0.84	0.77	4611	2.85	0.65	6.5	12	70	o.r.
1450	1SG7 457-2KA90-0C.0	2983	88	95.4	95.8	95.7	94.9	0.90	0.90	0.89	0.84	4642	2.90	0.75	6.5	16	95	o.r.
1540	1SG7 458-2KA90-0A.0	2982	93	95.6	96.1	96.1	95.5	0.90	0.90	0.89	0.85	4932	2.85	0.65	6.5	13	70	o.r.
1600	1SG7 458-2KA90-0C.0	2983	96	95.7	96.1	96.0	95.2	0.90	0.91	0.90	0.85	5122	3.00	0.75	6.5	17	105	o.r.
1750	1SG7 502-2KA90-0C.0	2979	108	95.5	95.8	95.9	95.4	0.88	0.88	0.87	0.82	5610	2.55	0.60	5.0	18	122	o.r.
1950	1SG7 503-2KA90-0C.0	2979	120	95.9	96.2	96.3	95.9	0.89	0.89	0.89	0.85	6251	2.60	0.70	5.1	20	132	o.r.
1800	1SG7 503-2KA90-0A.0	2974	110	95.6	96.0	96.2	96.0	0.89	0.89	0.89	0.85	5780	2.65	0.60	5.3	15	34	o.r.
1900	1SG7 504-2KA90-0A.0	2975	116	95.7	96.1	96.3	96.0	0.89	0.89	0.89	0.85	6099	2.70	0.70	5.3	15	34	o.r.
2300	1SG7 507-2KA90-0C.0	2983	138	96.3	96.5	96.6	96.1	0.90	0.90	0.89	0.84	7363	3.00	0.85	6.1	24	146	o.r.
2150	1SG7 507-2KA90-0A.0	2976	130	96.0	96.4	96.5	96.3	0.90	0.90	0.90	0.86	6899	2.90	0.70	5.9	18	40	o.r.
2450	1SG7 508-2KA90-0C.0	2985	146	96.5	96.7	96.7	96.3	0.91	0.91	0.90	0.84	7838	3.30	0.95	6.8	27	162	o.r.
2350	1SG7 508-2KA90-0A.0	2976	140	96.2	96.6	96.8	96.7	0.91	0.91	0.91	0.88	7541	2.80	0.80	5.8	20	42	o.r.
2880	1SG7 562-2KA90-0CC0	2986	176	96.1	96.2	96.0	95.3	0.89	0.89	0.87	0.82	9210	2.90	0.80	6.5	41	240	o.r.
3070	1SG7 563-2KA90-0CC0	2986	186	96.3	96.3	96.2	95.5	0.89	0.90	0.88	0.84	9818	2.85	0.75	6.5	44	250	o.r.
3490	1SG7 564-2KA90-0CC0	2987	215	96.1	96.2	95.8	94.9	0.89	0.89	0.86	0.79	11157	3.20	0.85	6.5	47	230	o.r.
4000	1SG7 567-2KA90-0CC0	2986	240	96.4	96.4	96.3	95.5	0.90	0.91	0.89	0.84	12792	2.95	0.75	6.5	52	280	o.r.
4250	1SG7 568-2KA90-0CC0	2988	255	96.6	96.5	96.4	95.6	0.91	0.91	0.89	0.83	13583	3.30	0.80	6.8	58	245	o.r.
4400	1SG8 632-2KA90-0CJ0	2982	270	95.9	96.3	95.9	95.0	0.86	0.89	0.89	0.88	14090	2.00	0.55	4.8	75	310	o.r.
4950	1SG8 633-2KA90-0CJ0	2982	305	96.1	96.5	96.2	95.4	0.87	0.89	0.90	0.89	15851	2.05	0.55	4.9	82	300	o.r.
5400	1SG8 634-2KA90-0CJ0	2983	325	96.3	96.7	96.4	95.5	0.88	0.90	0.91	0.90	17287	2.20	0.60	5.2	90	300	o.r.
6000	1SG8 637-2KA90-0CJ0	2984	355	96.5	96.9	96.6	95.8	0.89	0.91	0.91	0.90	19201	2.35	0.65	5.5	99	310	o.r.
6500	1SG8 638-2KA90-0CJ0	2986	380	96.7	97.0	96.7	95.9	0.90	0.92	0.92	0.90	20787	2.55	0.65	6.0	107	320	o.r.
7300	1SG8 712-2KA90-0CJ0	2988	445	96.6	96.6	96.3	95.2	0.87	0.89	0.89	0.87	23330	2.15	0.60	5.1	149	250	o.r.
7650	1SG8 713-2KA90-0CJ0	2989	455	96.7	96.7	96.3	95.3	0.89	0.91	0.90	0.87	24440	2.45	0.70	5.8	160	240	o.r.
8150	1SG8 714-2KA90-0CJ0	2990	485	96.8	96.8	96.4	95.4	0.90	0.91	0.90	0.87	26029	2.55	0.60	6.1	172	260	o.r.
8950	1SG8 716-2KA90-0CJ0	2990	540	97.0	96.9	96.5	95.5	0.89	0.90	0.89	0.85	28584	2.45	0.55	5.9	183	300	o.r.
9600	1SG8 717-2KA90-0CJ0	2989	560	97.1	97.1	96.8	96.0	0.91	0.92	0.92	0.90	30670	2.45	0.60	5.8	200	250	o.r.
10100	1SG8 718-2KA90-0CJ0	2989	590	97.2	97.2	97.0	96.2	0.90	0.92	0.91	0.89	32268	2.35	0.50	5.7	216	310	o.r.
4-pole: $n_{sync} = 1500$ rpm at 50 Hz																		
1200	1SG7 453-4KA90-0C.0	1488	76	95.0	95.6	95.6	95.1	0.87	0.87	0.83	0.74	7701	2.70	0.60	5.8	23	315	o.r.
1180	1SG7 453-4KA90-0A.0	1485	75	94.8	95.4	95.5	95.1	0.87	0.87	0.83	0.75	7588	2.65	0.75	6.0	17	335	o.r.
1240	1SG7 454-4KA90-0A.0	1486	78	95.0	95.6	95.6	95.1	0.88	0.87	0.82	0.73	7968	2.75	0.85	6.5	19	335	o.r.

Innomotics HV M - 1SG. IC616 11000 V / 50 Hz B3 (IM 1001)																			
Rated power IEC	Article No.	Speed	Rated current I_R	Efficiency				Power factor				Torque T_R	Breakdown torque T_B/ T_R	Locked rotor torque T_{LR}/ T_R	Locked rotor current I_{LR}/ I_R	Inertia			
				5/4 load	4/4 load	3/4 load	2/4 load	5/4 load	4/4 load	3/4 load	2/4 load					motor	external	Startup max T/TR	
kW		rpm	A	%	%	%	%	cos φ	cos φ	cos φ	cos φ	Nm	[-]	[-]	[-]	kgm ²	kgm ²	[-]	
1290	1SG7 454-4KA90-0C.0	1488	80	95.2	95.7	95.8	95.3	0.88	0.88	0.84	0.77	8279	2.70	0.65	6.0	25	320	o.r.	
1520	1SG7 457-4KA90-0C.0	1489	94	95.6	96.1	96.1	95.6	0.89	0.88	0.85	0.77	9748	2.90	0.70	6.5	30	415	o.r.	
1400	1SG7 457-4KA90-0A.0	1486	85	95.2	95.8	96.1	95.8	0.90	0.90	0.88	0.83	8997	2.75	0.85	6.5	22	420	o.r.	
1670	1SG7 458-4KA90-0C.0	1489	102	95.7	96.2	96.3	95.9	0.89	0.89	0.86	0.79	10710	2.90	0.70	6.5	32	480	o.r.	
1540	1SG7 458-4KA90-0A.0	1486	94	95.4	96.0	96.2	96.0	0.90	0.90	0.88	0.83	9896	2.80	0.85	6.5	24	420	o.r.	
1870	1SG7 503-4KA90-0A.0	1486	114	95.6	96.1	96.5	96.2	0.89	0.89	0.89	0.85	12017	2.40	0.80	5.3	37	615	o.r.	
1900	1SG7 503-4KA90-0C.0	1488	116	95.6	96.2	96.5	96.2	0.88	0.89	0.89	0.86	12193	2.40	0.60	5.0	45	570	o.r.	
2100	1SG7 504-4KA90-0C.0	1491	132	96.1	96.4	96.4	95.8	0.88	0.86	0.83	0.75	13450	2.90	0.70	5.9	50	705	o.r.	
1950	1SG7 504-4KA90-0A.0	1487	118	95.6	96.2	96.5	96.3	0.89	0.90	0.90	0.87	12523	2.50	0.90	5.5	40	615	o.r.	
2260	1SG7 507-4KA90-0A.0	1487	136	96.0	96.5	96.7	96.5	0.90	0.90	0.89	0.85	14513	2.65	0.95	6.0	46	610	o.r.	
2300	1SG7 507-4KA90-0C.0	1489	138	96.1	96.6	96.8	96.5	0.90	0.90	0.89	0.86	14750	2.65	0.70	5.5	56	760	o.r.	
2500	1SG7 508-4KA90-0C.0	1490	152	96.3	96.6	96.8	96.4	0.89	0.89	0.88	0.83	16022	2.65	0.65	5.6	61	660	o.r.	
2350	1SG7 508-4KA90-0A.0	1487	142	96.0	96.5	96.8	96.6	0.90	0.90	0.90	0.87	15091	2.65	0.95	6.0	50	750	o.r.	
2850	1SG7 562-4KA90-0C.0	1490	176	96.2	96.6	96.9	96.6	0.87	0.88	0.87	0.83	18265	2.25	0.60	5.4	74	865	o.r.	
3000	1SG7 563-4KA90-0C.0	1491	185	96.3	96.7	96.9	96.6	0.88	0.88	0.87	0.83	19214	2.40	0.65	5.8	80	915	o.r.	
3350	1SG7 564-4KA90-0C.0	1491	204	96.4	96.8	97.1	96.9	0.88	0.89	0.89	0.86	21455	2.30	0.65	5.5	90	1020	o.r.	
3600	1SG7 566-4KA90-0C.0	1492	216	96.6	97.0	97.2	97.0	0.89	0.90	0.89	0.86	23041	2.50	0.75	6.0	100	1125	o.r.	
3960	1SG7 567-4KA90-0C.0	1492	238	96.8	97.1	97.3	97.1	0.90	0.90	0.90	0.86	25345	2.55	0.75	6.3	110	1215	o.r.	
4260	1SG7 568-4KA90-0C.0	1492	256	96.9	97.2	97.4	97.2	0.90	0.90	0.89	0.85	27265	2.65	0.75	6.5	119	1325	o.r.	
5000	1SG8 633-4KA90-0C.0	1492	305	96.5	96.8	96.7	96.1	0.88	0.89	0.88	0.83	32002	2.55	0.55	6.0	151	790	o.r.	
5250	1SG8 634-4KA90-0C.0	1493	320	96.6	96.8	96.7	96.1	0.88	0.89	0.87	0.81	33579	2.60	0.55	6.0	165	970	o.r.	
5900	1SG8 637-4KA90-0C.0	1493	355	96.8	97.0	97.0	96.4	0.89	0.90	0.88	0.83	37737	2.60	0.55	6.0	181	1000	o.r.	
6500	1SG8 638-4KA90-0C.0	1493	400	96.9	97.1	97.0	96.4	0.88	0.88	0.85	0.79	41574	2.60	0.55	6.0	196	1140	o.r.	
6900	1SG8 712-4KA90-0C.0	1492	415	96.7	97.1	97.1	96.7	0.89	0.90	0.90	0.87	44162	2.35	0.50	5.6	259	1000	o.r.	
7400	1SG8 713-4KA90-0C.0	1492	440	96.9	97.2	97.3	96.8	0.89	0.91	0.90	0.88	47362	2.45	0.50	5.9	284	1110	o.r.	
8050	1SG8 714-4KA90-0C.0	1492	475	97.0	97.3	97.4	97.0	0.90	0.91	0.91	0.88	51523	2.55	0.55	6.0	312	1200	o.r.	
8700	1SG8 717-4KA90-0C.0	1493	520	97.1	97.4	97.4	97.0	0.90	0.91	0.91	0.88	55646	2.60	0.55	6.0	344	1410	o.r.	
9350	1SG8 718-4KA90-0C.0	1493	560	97.2	97.5	97.5	97.0	0.89	0.90	0.89	0.84	59803	2.60	0.50	6.0	360	1540	o.r.	
6-pole: n_{sync} = 1000 rpm at 50 Hz																			
830	1SG7 452-6KA90-0A.0	990	55	94.1	94.9	95.2	95.0	0.84	0.84	0.80	0.70	8006	2.45	0.80	5.5	20	385	o.r.	
860	1SG7 452-6KA90-0C.0	990	56	93.9	94.9	95.2	95.1	0.85	0.85	0.83	0.75	8295	2.35	0.70	5.4	27	465	o.r.	
900	1SG7 453-6KA90-0A.0	990	58	94.3	95.1	95.4	95.2	0.85	0.85	0.81	0.72	8681	2.45	0.85	5.5	22	395	o.r.	
920	1SG7 453-6KA90-0C.0	991	59	94.3	95.1	95.3	95.2	0.85	0.86	0.82	0.74	8865	2.50	0.80	5.5	30	470	o.r.	
980	1SG7 454-6KA90-0A.0	990	63	94.5	95.3	95.6	95.4	0.85	0.86	0.82	0.74	9453	2.45	0.85	5.5	24	450	o.r.	
1000	1SG7 454-6KA90-0C.0	991	64	94.5	95.2	95.5	95.4	0.86	0.86	0.83	0.76	9636	2.50	0.80	5.5	33	550	o.r.	
1080	1SG7 457-6KA90-0A.0	990	68	94.6	95.4	95.8	95.7	0.86	0.87	0.84	0.77	10417	2.40	0.85	5.5	28	530	o.r.	
1100	1SG7 457-6KA90-0C.0	991	70	94.6	95.4	95.7	95.6	0.87	0.87	0.84	0.78	10600	2.50	0.80	5.5	36	645	o.r.	

Innomotics HV M - 1SG. IC616 11000 V / 50 Hz B3 (IM 1001)																			
Rated power IEC	Article No.	Speed	Rated current I_R	Efficiency				Power factor				Torque T_R	Breakdown torque T_B / T_R	Locked torque T_{LR} / T_R	Locked rotor current I_{LR} / I_R	Inertia			
				5/4 load	4/4 load	3/4 load	2/4 load	5/4 load	4/4 load	3/4 load	2/4 load					motor	external	Startup max T/TR	
kW		rpm	A	%	%	%	%	$\cos \varphi$	$\cos \varphi$	$\cos \varphi$	$\cos \varphi$	Nm	[-]	[-]	[-]	kgm ²	kgm ²	[-]	
1200	1SG7 458-6KA90-0C.0	991	75	94.8	95.6	95.9	95.9	0.87	0.88	0.85	0.79	11563	2.50	0.80	5.5	41	740	o.r.	
1180	1SG7 458-6KA90-0A.0	990	74	94.8	95.6	96.0	96.0	0.87	0.87	0.85	0.79	11382	2.35	0.85	5.5	31	615	o.r.	
1400	1SG7 502-6KA90-0C.0	993	90	95.5	96.0	96.1	95.8	0.85	0.85	0.80	0.71	13463	2.65	0.85	5.4	54	1130	o.r.	
1350	1SG7 502-6KA90-0A.0	991	86	95.0	95.7	96.1	95.9	0.85	0.86	0.84	0.78	13009	2.35	0.90	5.0	42	750	o.r.	
1600	1SG7 503-6KA90-0C.0	993	102	95.6	96.2	96.3	96.0	0.85	0.85	0.81	0.72	15387	2.65	0.90	5.4	60	1250	o.r.	
1530	1SG7 503-6KA90-0A.0	991	96	95.1	95.8	96.2	96.1	0.85	0.87	0.85	0.79	14743	2.25	0.90	4.9	46	860	o.r.	
1630	1SG7 504-6KA90-0A.0	992	104	95.5	96.0	96.3	96.0	0.85	0.85	0.82	0.72	15691	2.65	1.10	5.7	51	980	o.r.	
1750	1SG7 504-6KA90-0C.0	993	112	95.8	96.3	96.4	96.1	0.85	0.85	0.81	0.72	16829	2.70	0.85	5.4	66	1400	o.r.	
1920	1SG7 507-6KA90-0C.0	994	124	96.0	96.5	96.5	96.2	0.84	0.84	0.79	0.69	18445	2.75	0.85	5.4	74	1600	o.r.	
1830	1SG7 507-6KA90-0A.0	992	114	95.6	96.1	96.5	96.3	0.86	0.87	0.85	0.78	17616	2.50	1.00	5.4	58	1150	o.r.	
2000	1SG7 508-6KA90-0A.0	992	126	95.8	96.3	96.7	96.5	0.86	0.87	0.84	0.77	19253	2.60	0.95	5.6	63	1350	o.r.	
2050	1SG7 508-6KA90-0C.0	994	128	96.0	96.6	96.7	96.5	0.87	0.87	0.84	0.78	19694	2.65	0.85	5.5	81	1800	o.r.	
2240	1SG7 561-6KA90-0C.0	993	144	95.7	96.3	96.3	96.0	0.85	0.85	0.83	0.76	21541	2.55	0.70	5.6	96	1090	o.r.	
2600	1SG7 562-6KA90-0C.0	993	166	96.0	96.5	96.5	96.2	0.84	0.85	0.83	0.75	25003	2.50	0.65	5.5	105	1450	o.r.	
2800	1SG7 564-6KA90-0C.0	993	174	96.1	96.6	96.7	96.5	0.86	0.87	0.85	0.81	26927	2.50	0.65	5.6	123	1550	o.r.	
3150	1SG7 567-6KA90-0C.0	994	198	96.3	96.8	96.8	96.5	0.86	0.86	0.84	0.77	30262	2.75	0.70	6.0	134	1790	o.r.	
3300	1SG7 568-6KA90-0C.0	995	210	96.5	96.9	96.8	96.4	0.86	0.86	0.83	0.75	31671	3.05	0.80	6.5	150	2090	o.r.	
3750	1SG8 632-6KA90-0C.0	993	235	96.1	96.5	96.5	95.8	0.85	0.86	0.82	0.73	36062	2.45	0.60	5.5	193	2610	o.r.	
4000	1SG8 633-6KA90-0C.0	994	255	96.2	96.5	96.5	95.9	0.85	0.85	0.81	0.71	38428	2.50	0.60	5.5	208	2890	o.r.	
4400	1SG8 634-6KA90-0C.0	994	280	96.4	96.7	96.7	96.1	0.85	0.86	0.82	0.74	42271	2.50	0.60	5.5	227	3060	o.r.	
4750	1SG8 637-6KA90-0C.0	994	295	96.4	96.7	96.8	96.2	0.86	0.87	0.83	0.75	45633	2.50	0.60	5.5	245	3230	o.r.	
4900	1SG8 638-6KA90-0C.0	994	310	96.5	96.8	96.8	96.2	0.86	0.86	0.82	0.73	47074	2.55	0.60	5.5	263	3890	o.r.	
5550	1SG8 712-6KA90-0C.0	994	345	96.7	97.0	97.1	96.6	0.86	0.87	0.84	0.77	53319	2.50	0.55	5.5	331	2970	o.r.	
6050	1SG8 713-6KA90-0C.0	994	375	96.8	97.2	97.2	96.8	0.86	0.87	0.85	0.79	58122	2.40	0.55	5.5	373	3500	o.r.	
6550	1SG8 714-6KA90-0C.0	995	400	96.9	97.2	97.3	96.9	0.86	0.88	0.86	0.80	62862	2.40	0.55	5.5	422	4160	o.r.	
7200	1SG8 717-6KA90-0C.0	995	440	97.0	97.3	97.4	97.0	0.87	0.88	0.86	0.80	69100	2.45	0.50	5.5	475	4860	o.r.	
7750	1SG8 718-6KA90-0C.0	995	470	97.1	97.4	97.5	97.2	0.88	0.89	0.87	0.82	74379	2.45	0.55	5.5	522	5280	o.r.	
8-pole: $n_{sync} = 750$ rpm at 50 Hz																			
520	1SG7 451-8KA90-0A.0	743	37	93.2	94.2	94.4	93.8	0.80	0.78	0.70	0.55	6683	2.50	0.80	5.5	23	410	o.r.	
540	1SG7 451-8KA90-0C.0	743	38	93.3	94.2	94.5	94.0	0.82	0.80	0.73	0.59	6940	2.70	0.75	5.5	30	490	o.r.	
580	1SG7 452-8KA90-0A.0	743	40	93.4	94.4	94.7	94.4	0.81	0.80	0.73	0.59	7454	2.50	0.80	5.5	25	470	o.r.	
590	1SG7 452-8KA90-0C.0	743	40	93.5	94.5	94.7	94.4	0.83	0.81	0.75	0.62	7583	2.65	0.75	5.5	32	600	o.r.	
660	1SG7 453-8KA90-0A.0	743	46	94.0	94.9	95.1	94.7	0.81	0.79	0.72	0.57	8483	2.55	0.85	5.5	28	750	o.r.	
680	1SG7 453-8KA90-0C.0	743	46	94.1	94.9	95.1	94.8	0.82	0.81	0.74	0.61	8740	2.75	0.80	5.5	36	890	o.r.	
750	1SG7 454-8KA90-0A.0	744	53	94.3	95.1	95.2	94.7	0.80	0.78	0.68	0.52	9626	2.75	0.95	5.5	31	890	o.r.	
760	1SG7 454-8KA90-0C.0	744	52	94.4	95.2	95.3	94.8	0.81	0.80	0.71	0.56	9755	2.95	0.80	5.8	40	1060	o.r.	
830	1SG7 457-8KA90-0A.0	744	58	94.5	95.2	95.4	95.0	0.81	0.79	0.71	0.57	10653	2.75	0.95	5.5	35	1020	o.r.	

Innomotics HV M - 1SG. IC616 11000 V / 50 Hz B3 (IM 1001)																		
Rated power IEC	Article No.	Speed	Rated current I_R	Efficiency				Power factor				Torque T_R	Breakdown torque T_B/ T_R	Locked torque T_{LR}/ T_R	Locked rotor current I_{LR}/ I_R	Inertia		
				5/4 load	4/4 load	3/4 load	2/4 load	5/4 load	4/4 load	3/4 load	2/4 load					motor	external	Startup max T/TR
kW		rpm	A	%	%	%	%	$\cos \varphi$	$\cos \varphi$	$\cos \varphi$	$\cos \varphi$	Nm	[-]	[-]	[-]	kgm ²	kgm ²	[-]
840	1SG7 457-8KA90-0C.0	744	58	94.6	95.3	95.4	95.0	0.82	0.80	0.73	0.59	10781	2.95	0.80	5.8	45	1220	o.r.
880	1SG7 458-8KA90-0A.0	744	61	94.6	95.4	95.5	95.0	0.81	0.79	0.71	0.56	11295	2.80	0.95	5.7	39	1200	o.r.
900	1SG7 458-8KA90-0C.0	744	62	94.7	95.4	95.5	95.1	0.82	0.80	0.73	0.59	11552	2.95	0.80	5.8	50	1330	o.r.
1000	1SG7 501-8KA90-0A.0	744	70	95.0	95.5	95.7	95.4	0.80	0.79	0.74	0.62	12835	2.40	0.85	4.7	42	1570	o.r.
1000	1SG7 501-8KA90-0C.0	743	67	94.7	95.4	95.8	95.6	0.82	0.82	0.78	0.69	12852	2.30	0.60	4.3	55	1460	o.r.
1100	1SG7 502-8KA90-0A.0	744	78	95.0	95.5	95.9	95.6	0.81	0.78	0.75	0.64	14119	2.50	0.90	4.7	46	1400	o.r.
1100	1SG7 502-8KA90-0C.0	743	74	94.8	95.5	96.0	95.9	0.82	0.82	0.79	0.71	14138	2.35	0.65	4.4	59	1660	o.r.
1250	1SG7 503-8KA90-0A.0	744	85	95.1	95.7	96.1	95.9	0.81	0.81	0.77	0.67	16044	2.30	0.85	4.6	51	1510	o.r.
1370	1SG7 507-8KA90-0A.0	744	92	95.6	96.1	96.3	96.0	0.82	0.81	0.76	0.66	17584	2.55	1.00	5.2	63	2710	o.r.
1400	1SG7 507-8KA90-0C.0	743	91	95.2	95.9	96.4	96.3	0.84	0.84	0.81	0.73	17993	2.30	0.65	4.4	80	2240	o.r.
1550	1SG7 508-8KA90-0A.0	745	106	95.7	96.1	96.3	96.0	0.81	0.80	0.75	0.63	19868	2.65	1.05	5.3	69	2610	o.r.
1600	1SG7 508-8KA90-0C.0	744	106	95.7	96.2	96.4	96.2	0.83	0.83	0.78	0.68	20536	2.65	0.70	5.0	88	3010	o.r.
1800	1SG7 563-8KA90-0C.0	745	120	95.6	96.0	96.3	95.9	0.82	0.82	0.79	0.70	23072	2.35	0.65	5.1	124	2810	o.r.
2000	1SG7 564-8KA90-0C.0	744	134	95.7	96.1	96.5	96.3	0.82	0.82	0.80	0.73	25670	2.20	0.60	4.9	137	3135	o.r.
2240	1SG7 567-8KA90-0C.0	745	150	95.9	96.1	96.6	96.4	0.83	0.82	0.80	0.72	28712	2.30	0.65	5.0	150	4020	o.r.
2500	1SG7 568-8KA90-0C.0	744	166	96.1	96.2	96.8	96.4	0.83	0.82	0.80	0.73	32088	2.30	0.65	5.1	165	5205	o.r.
2950	1SG8 634-8KA90-0C.0	744	188	95.5	96.1	96.1	95.7	0.85	0.86	0.83	0.76	37863	2.15	0.50	4.8	251	3210	o.r.
3350	1SG8 637-8KA90-0C.0	744	210	95.9	96.3	96.3	95.9	0.86	0.87	0.83	0.75	42998	2.30	0.50	5.0	292	4650	o.r.
3550	1SG8 638-8KA90-0C.0	744	220	96.0	96.5	96.5	96.1	0.87	0.87	0.83	0.76	45565	2.35	0.55	5.2	326	5480	o.r.
3800	1SG8 712-8KA90-0C.0	746	240	96.2	96.6	96.5	96.0	0.86	0.86	0.81	0.72	48643	2.55	0.60	5.5	421	3900	o.r.
4150	1SG8 713-8KA90-0C.0	746	260	96.4	96.7	96.6	96.0	0.86	0.86	0.81	0.71	53123	2.55	0.60	5.5	470	4270	o.r.
4650	1SG8 714-8KA90-0C.0	746	290	96.5	96.8	96.7	96.3	0.87	0.87	0.82	0.74	59523	2.55	0.55	5.5	539	4260	o.r.
4950	1SG8 717-8KA90-0C.0	746	305	96.5	96.9	96.9	96.6	0.87	0.88	0.84	0.77	63363	2.45	0.50	5.4	616	4640	o.r.
5300	1SG8 718-8KA90-0C.0	746	330	96.6	97.0	97.0	96.7	0.87	0.87	0.84	0.77	67844	2.35	0.50	5.1	677	4860	o.r.

Motor type	Weight		Dimensions										
	kg	A	AD	AE	B	C	D	E	H	HD	L	ML	
		mm	mm	mm	mm	mm	mm	mm	mm	mm	mm	mm	mm
Innomotics HV M - 1SG. IC616 11000 V / 50 Hz B3 (IM 1001) - Dimension drawings													
2-pole													
1SG7 453-2KA90-0AA0	4650	850	1140	1760	1180	250	95	130	450	2350	2640	o.r.	
1SG7 453-2KA90-0AC0	4550	850	1140	1760	1180	475	95	130	450	2350	2870	o.r.	
1SG7 453-2KA90-0CA0	4750	850	1140	1760	1180	250	95	130	450	2350	2640	o.r.	
1SG7 453-2KA90-0CC0	4650	850	1140	1760	1180	475	95	130	450	2350	2870	o.r.	
1SG7 454-2KA90-0AA0	4750	850	1140	1760	1180	250	95	130	450	2350	2640	o.r.	
1SG7 454-2KA90-0AC0	4650	850	1140	1760	1180	475	95	130	450	2350	2870	o.r.	
1SG7 454-2KA90-0CA0	4850	850	1140	1760	1180	250	95	130	450	2350	2640	o.r.	
1SG7 454-2KA90-0CC0	4750	850	1140	1760	1180	475	95	130	450	2350	2870	o.r.	
1SG7 457-2KA90-0AA0	5200	850	1140	1760	1400	250	95	130	450	2350	2850	o.r.	
1SG7 457-2KA90-0AC0	5100	850	1140	1760	1400	475	95	130	450	2350	3080	o.r.	
1SG7 457-2KA90-0CA0	5300	850	1140	1760	1400	250	95	130	450	2350	2850	o.r.	
1SG7 457-2KA90-0CC0	5250	850	1140	1760	1400	475	95	130	450	2350	3080	o.r.	
1SG7 458-2KA90-0AA0	5350	850	1140	1760	1400	250	95	130	450	2350	2850	o.r.	
1SG7 458-2KA90-0AC0	5250	850	1140	1760	1400	475	95	130	450	2350	3080	o.r.	
1SG7 458-2KA90-0CA0	5550	850	1140	1760	1400	250	95	130	450	2350	2850	o.r.	
1SG7 458-2KA90-0CC0	5450	850	1140	1760	1400	475	95	130	450	2350	3080	o.r.	
1SG7 502-2KA90-0CA0	5900	950	1220	1920	1320	250	110	165	500	2710	2920	o.r.	
1SG7 502-2KA90-0CC0	5800	950	1220	1920	1320	530	120	165	500	2710	3200	o.r.	
1SG7 503-2KA90-0CA0	6550	950	1220	1920	1320	250	110	165	500	2710	2920	o.r.	
1SG7 503-2KA90-0CC0	6500	950	1220	1920	1320	530	120	165	500	2710	3200	o.r.	
1SG7 503-2KA90-0AA0	6400	950	1220	1920	1320	250	110	165	500	2710	2920	o.r.	
1SG7 503-2KA90-0AC0	6350	950	1220	1920	1320	530	120	165	500	2710	3200	o.r.	
1SG7 504-2KA90-0AA0	6500	950	1220	1920	1320	250	110	165	500	2710	2920	o.r.	
1SG7 504-2KA90-0AC0	6450	950	1220	1920	1320	530	120	165	500	2710	3200	o.r.	
1SG7 507-2KA90-0CA0	7350	950	1220	1920	1500	250	110	165	500	2710	3130	o.r.	
1SG7 507-2KA90-0CC0	7300	950	1220	1920	1500	530	120	165	500	2710	3410	o.r.	
1SG7 507-2KA90-0AA0	7150	950	1220	1920	1500	250	110	165	500	2710	3130	o.r.	
1SG7 507-2KA90-0AC0	7100	950	1220	1920	1500	530	120	165	500	2710	3410	o.r.	
1SG7 508-2KA90-0CA0	7700	950	1220	1920	1500	250	110	165	500	2710	3130	o.r.	
1SG7 508-2KA90-0CC0	7650	950	1220	1920	1500	530	120	165	500	2710	3410	o.r.	
1SG7 508-2KA90-0AA0	7550	950	1220	1920	1500	250	110	165	500	2710	3130	o.r.	
1SG7 508-2KA90-0AC0	7450	950	1220	1920	1500	530	120	165	500	2710	3410	o.r.	
1SG7 562-2KA90-0CC0	8100	1060	1290	2060	1400	600	150	200	560	2830	3440	o.r.	
1SG7 563-2KA90-0CC0	8350	1060	1290	2060	1400	600	150	200	560	2830	3440	o.r.	
1SG7 564-2KA90-0CC0	8600	1060	1290	2060	1400	600	150	200	560	2830	3440	o.r.	
1SG7 567-2KA90-0CC0	9450	1060	1290	2060	1600	600	150	200	560	2830	3670	o.r.	

Motor type	Weight	Dimensions										
	kg	A mm	AD mm	AE mm	B mm	C mm	D mm	E mm	H mm	HD mm	L mm	ML mm
Innomotics HV M - 1SG. IC616 11000 V / 50 Hz B3 (IM 1001) - Dimension drawings												
1SG7 568-2KA90-0CC0	10000	1060	1290	2060	1600	600	150	200	560	2830	3670	o.r.
1SG8 632-2KA90-0CJ0	10250	1320	1520	2520	1600	560	160	240	630	3800	4060	o.r.
1SG8 633-2KA90-0CJ0	10800	1320	1520	2520	1600	560	160	240	630	3800	4060	o.r.
1SG8 634-2KA90-0CJ0	11300	1320	1520	2520	1600	560	160	240	630	3800	4060	o.r.
1SG8 637-2KA90-0CJ0	12200	1320	1520	2520	1800	560	160	240	630	3800	4260	o.r.
1SG8 638-2KA90-0CJ0	12750	1320	1520	2520	1800	560	160	240	630	3800	4260	o.r.
1SG8 712-2KA90-0CJ0	14350	1500	1620	2720	2000	560	180	240	710	3090	4070	o.r.
1SG8 713-2KA90-0CJ0	14850	1500	1620	2720	2000	560	180	240	710	3090	4070	o.r.
1SG8 714-2KA90-0CJ0	15500	1500	1620	2720	2000	560	180	240	710	3090	4070	o.r.
1SG8 716-2KA90-0CJ0	16650	1500	1620	2720	2240	560	180	240	710	3090	4310	o.r.
1SG8 717-2KA90-0CJ0	17450	1500	1620	2720	2240	560	180	240	710	3090	4310	o.r.
1SG8 718-2KA90-0CJ0	18400	1500	1620	2720	2240	560	180	240	710	3090	4310	o.r.
4-pole												
1SG7 453-4KA90-0CA0	4750	850	1140	1760	1180	250	130	200	450	2350	2710	o.r.
1SG7 453-4KA90-0CC0	4800	850	1140	1760	1180	500	130	200	450	2350	2960	o.r.
1SG7 453-4KA90-0AA0	4650	850	1140	1760	1180	250	130	200	450	2350	2710	o.r.
1SG7 453-4KA90-0AC0	4650	850	1140	1760	1180	500	130	200	450	2350	2960	o.r.
1SG7 454-4KA90-0AA0	4800	850	1140	1760	1180	250	130	200	450	2350	2710	o.r.
1SG7 454-4KA90-0AC0	4800	850	1140	1760	1180	500	130	200	450	2350	2960	o.r.
1SG7 454-4KA90-0CA0	4950	850	1140	1760	1180	250	130	200	450	2350	2710	o.r.
1SG7 454-4KA90-0CC0	4950	850	1140	1760	1180	500	130	200	450	2350	2960	o.r.
1SG7 457-4KA90-0CA0	5550	850	1140	1760	1400	250	130	200	450	2350	2920	o.r.
1SG7 457-4KA90-0CC0	5600	850	1140	1760	1400	500	130	200	450	2350	3170	o.r.
1SG7 457-4KA90-0AA0	5400	850	1140	1760	1400	250	130	200	450	2350	2920	o.r.
1SG7 457-4KA90-0AC0	5450	850	1140	1760	1400	500	130	200	450	2350	3170	o.r.
1SG7 458-4KA90-0CA0	5800	850	1140	1760	1400	250	130	200	450	2350	2920	o.r.
1SG7 458-4KA90-0CC0	5800	850	1140	1760	1400	500	130	200	450	2350	3170	o.r.
1SG7 458-4KA90-0AA0	5600	850	1140	1760	1400	250	130	200	450	2350	2920	o.r.
1SG7 458-4KA90-0AC0	5650	850	1140	1760	1400	500	130	200	450	2350	3170	o.r.
1SG7 503-4KA90-0AA0	6650	950	1220	1920	1320	315	160	240	500	2710	3060	o.r.
1SG7 503-4KA90-0AC0	6750	950	1220	1920	1320	560	170	240	500	2710	3300	o.r.
1SG7 503-4KA90-0CA0	6800	950	1220	1920	1320	315	160	240	500	2710	3060	o.r.
1SG7 503-4KA90-0CC0	6900	950	1220	1920	1320	560	170	240	500	2710	3300	o.r.
1SG7 504-4KA90-0CA0	7100	950	1220	1920	1320	315	160	240	500	2710	3060	o.r.
1SG7 504-4KA90-0CC0	7150	950	1220	1920	1320	560	170	240	500	2710	3300	o.r.
1SG7 504-4KA90-0AA0	6900	950	1220	1920	1320	315	160	240	500	2710	3060	o.r.
1SG7 504-4KA90-0AC0	7000	950	1220	1920	1320	560	170	240	500	2710	3300	o.r.

Motor type	Weight	Dimensions										
	kg	A mm	AD mm	AE mm	B mm	C mm	D mm	E mm	H mm	HD mm	L mm	ML mm
Innomotics HV M - 1SG. IC616 11000 V / 50 Hz B3 (IM 1001) - Dimension drawings												
1SG7 507-4KA90-0AA0	7600	950	1220	1920	1500	315	160	240	500	2710	3270	o.r.
1SG7 507-4KA90-0AC0	7700	950	1220	1920	1500	560	170	240	500	2710	3510	o.r.
1SG7 507-4KA90-0CA0	7800	950	1220	1920	1500	315	160	240	500	2710	3270	o.r.
1SG7 507-4KA90-0CC0	7850	950	1220	1920	1500	560	170	240	500	2710	3510	o.r.
1SG7 508-4KA90-0CA0	8100	950	1220	1920	1500	315	160	240	500	2710	3270	o.r.
1SG7 508-4KA90-0CC0	8200	950	1220	1920	1500	560	170	240	500	2710	3510	o.r.
1SG7 508-4KA90-0AA0	7900	950	1220	1920	1500	315	160	240	500	2710	3270	o.r.
1SG7 508-4KA90-0AC0	8000	950	1220	1920	1500	560	170	240	500	2710	3510	o.r.
1SG7 562-4KA90-0CA0	8150	1060	1290	2060	1400	335	190	280	560	2830	3250	o.r.
1SG7 562-4KA90-0CC0	8250	1060	1290	2060	1400	600	190	280	560	2830	3520	o.r.
1SG7 563-4KA90-0CA0	8400	1060	1290	2060	1400	335	190	280	560	2830	3250	o.r.
1SG7 563-4KA90-0CC0	8450	1060	1290	2060	1400	600	190	280	560	2830	3520	o.r.
1SG7 564-4KA90-0CA0	8850	1060	1290	2060	1400	335	190	280	560	2830	3250	o.r.
1SG7 564-4KA90-0CC0	8900	1060	1290	2060	1400	600	190	280	560	2830	3520	o.r.
1SG7 566-4KA90-0CA0	9650	1060	1290	2060	1600	335	190	280	560	2830	3480	o.r.
1SG7 566-4KA90-0CC0	9700	1060	1290	2060	1600	600	190	280	560	2830	3750	o.r.
1SG7 567-4KA90-0CA0	10100	1060	1290	2060	1600	335	190	280	560	2830	3480	o.r.
1SG7 567-4KA90-0CC0	10150	1060	1290	2060	1600	600	190	280	560	2830	3750	o.r.
1SG7 568-4KA90-0CA0	10550	1060	1290	2060	1600	335	190	280	560	2830	3480	o.r.
1SG7 568-4KA90-0CC0	10600	1060	1290	2060	1600	600	190	280	560	2830	3750	o.r.
1SG8 633-4KA90-0CG0	11550	1320	1520	2520	1600	375	200	280	630	3800	3920	o.r.
1SG8 633-4KA90-0CJ0	11650	1320	1520	2520	1600	630	200	280	630	3800	4170	o.r.
1SG8 634-4KA90-0CG0	11950	1320	1520	2520	1600	375	200	280	630	3800	3920	o.r.
1SG8 634-4KA90-0CJ0	12050	1320	1520	2520	1600	630	200	280	630	3800	4170	o.r.
1SG8 637-4KA90-0CG0	12900	1320	1520	2520	1800	375	200	280	630	3800	4120	o.r.
1SG8 637-4KA90-0CJ0	13000	1320	1520	2520	1800	630	200	280	630	3800	4370	o.r.
1SG8 638-4KA90-0CG0	13500	1320	1520	2520	1800	375	200	280	630	3800	4120	o.r.
1SG8 638-4KA90-0CJ0	13600	1320	1520	2520	1800	630	200	280	630	3800	4370	o.r.
1SG8 712-4KA90-0CG0	15350	1500	1620	2720	2000	375	220	280	710	3090	3920	o.r.
1SG8 712-4KA90-0CJ0	15500	1500	1620	2720	2000	630	220	280	710	3090	4180	o.r.
1SG8 713-4KA90-0CG0	16050	1500	1620	2720	2000	375	220	280	710	3090	3920	o.r.
1SG8 713-4KA90-0CJ0	16150	1500	1620	2720	2000	630	220	280	710	3090	4180	o.r.
1SG8 714-4KA90-0CG0	16800	1500	1620	2720	2000	375	220	280	710	3090	3920	o.r.
1SG8 714-4KA90-0CJ0	16950	1500	1620	2720	2000	630	220	280	710	3090	4180	o.r.
1SG8 717-4KA90-0CG0	18050	1500	1620	2720	2240	375	220	280	710	3090	4160	o.r.
1SG8 717-4KA90-0CJ0	18200	1500	1620	2720	2240	630	220	280	710	3090	4420	o.r.
1SG8 718-4KA90-0CG0	18650	1500	1620	2720	2240	375	220	280	710	3090	4160	o.r.

Motor type	Weight		Dimensions									
	kg	A	AD	AE	B	C	D	E	H	HD	L	ML
		mm	mm	mm	mm	mm	mm	mm	mm	mm	mm	mm
Innomotics HV M - 1SG. IC616 11000 V / 50 Hz B3 (IM 1001) - Dimension drawings												
1SG8 718-4KA90-0CJ0	18750	1500	1620	2720	2240	630	220	280	710	3090	4420	o.r.
6-pole												
1SG7 452-6KA90-0AA0	4500	850	1140	1760	1180	250	130	200	450	2350	2710	o.r.
1SG7 452-6KA90-0AC0	4550	850	1140	1760	1180	500	130	200	450	2350	2960	o.r.
1SG7 452-6KA90-0CA0	4650	850	1140	1760	1180	250	130	200	450	2350	2710	o.r.
1SG7 452-6KA90-0CC0	4700	850	1140	1760	1180	500	130	200	450	2350	2960	o.r.
1SG7 453-6KA90-0AA0	4650	850	1140	1760	1180	250	130	200	450	2350	2710	o.r.
1SG7 453-6KA90-0AC0	4700	850	1140	1760	1180	500	130	200	450	2350	2960	o.r.
1SG7 453-6KA90-0CA0	4800	850	1140	1760	1180	250	130	200	450	2350	2710	o.r.
1SG7 453-6KA90-0CC0	4850	850	1140	1760	1180	500	130	200	450	2350	2960	o.r.
1SG7 454-6KA90-0AA0	4800	850	1140	1760	1180	250	130	200	450	2350	2710	o.r.
1SG7 454-6KA90-0AC0	4850	850	1140	1760	1180	500	130	200	450	2350	2960	o.r.
1SG7 454-6KA90-0CA0	5000	850	1140	1760	1180	250	130	200	450	2350	2710	o.r.
1SG7 454-6KA90-0CC0	5000	850	1140	1760	1180	500	130	200	450	2350	2960	o.r.
1SG7 457-6KA90-0AA0	5300	850	1140	1760	1400	250	130	200	450	2350	2920	o.r.
1SG7 457-6KA90-0AC0	5350	850	1140	1760	1400	500	130	200	450	2350	3170	o.r.
1SG7 457-6KA90-0CA0	5500	850	1140	1760	1400	250	130	200	450	2350	2920	o.r.
1SG7 457-6KA90-0CC0	5500	850	1140	1760	1400	500	130	200	450	2350	3170	o.r.
1SG7 458-6KA90-0CA0	5800	850	1140	1760	1400	250	130	200	450	2350	2920	o.r.
1SG7 458-6KA90-0CC0	5800	850	1140	1760	1400	500	130	200	450	2350	3170	o.r.
1SG7 458-6KA90-0AA0	5600	850	1140	1760	1400	250	130	200	450	2350	2920	o.r.
1SG7 458-6KA90-0AC0	5600	850	1140	1760	1400	500	130	200	450	2350	3170	o.r.
1SG7 502-6KA90-0CA0	6700	950	1220	1920	1320	315	160	240	500	2620	3060	o.r.
1SG7 502-6KA90-0CC0	6750	950	1220	1920	1320	560	170	240	500	2620	3300	o.r.
1SG7 502-6KA90-0AA0	6500	950	1220	1920	1320	315	160	240	500	2620	3060	o.r.
1SG7 502-6KA90-0AC0	6550	950	1220	1920	1320	560	170	240	500	2620	3300	o.r.
1SG7 503-6KA90-0CA0	6950	950	1220	1920	1320	315	160	240	500	2620	3060	o.r.
1SG7 503-6KA90-0CC0	7000	950	1220	1920	1320	560	170	240	500	2620	3300	o.r.
1SG7 503-6KA90-0AA0	6750	950	1220	1920	1320	315	160	240	500	2620	3060	o.r.
1SG7 503-6KA90-0AC0	6800	950	1220	1920	1320	560	170	240	500	2620	3300	o.r.
1SG7 504-6KA90-0AA0	6950	950	1220	1920	1320	315	160	240	500	2620	3060	o.r.
1SG7 504-6KA90-0AC0	7000	950	1220	1920	1320	560	170	240	500	2620	3300	o.r.
1SG7 504-6KA90-0CA0	7200	950	1220	1920	1320	315	160	240	500	2620	3060	o.r.
1SG7 504-6KA90-0CC0	7300	950	1220	1920	1320	560	170	240	500	2620	3300	o.r.
1SG7 507-6KA90-0CA0	7950	950	1220	1920	1500	315	160	240	500	2620	3270	o.r.
1SG7 507-6KA90-0CC0	8000	950	1220	1920	1500	560	170	240	500	2620	3510	o.r.
1SG7 507-6KA90-0AA0	7700	950	1220	1920	1500	315	160	240	500	2620	3270	o.r.

Motor type	Weight	Dimensions										
	kg	A mm	AD mm	AE mm	B mm	C mm	D mm	E mm	H mm	HD mm	L mm	ML mm
Innomotics HV M - 1SG. IC616 11000 V / 50 Hz B3 (IM 1001) - Dimension drawings												
1SG7 507-6KA90-0AC0	7750	950	1220	1920	1500	560	170	240	500	2620	3510	o.r.
1SG7 508-6KA90-0AA0	8000	950	1220	1920	1500	315	160	240	500	2620	3270	o.r.
1SG7 508-6KA90-0AC0	8100	950	1220	1920	1500	560	170	240	500	2620	3510	o.r.
1SG7 508-6KA90-0CA0	8300	950	1220	1920	1500	315	160	240	500	2620	3270	o.r.
1SG7 508-6KA90-0CC0	8350	950	1220	1920	1500	560	170	240	500	2620	3510	o.r.
1SG7 561-6KA90-0CA0	8350	1060	1290	2060	1400	335	190	280	560	2830	3250	o.r.
1SG7 561-6KA90-0CC0	8450	1060	1290	2060	1400	600	190	280	560	2830	3520	o.r.
1SG7 562-6KA90-0CA0	8750	1060	1290	2060	1400	335	190	280	560	2830	3250	o.r.
1SG7 562-6KA90-0CC0	8800	1060	1290	2060	1400	600	190	280	560	2830	3520	o.r.
1SG7 564-6KA90-0CA0	9400	1060	1290	2060	1400	335	190	280	560	2830	3250	o.r.
1SG7 564-6KA90-0CC0	9450	1060	1290	2060	1400	600	190	280	560	2830	3520	o.r.
1SG7 567-6KA90-0CA0	10250	1060	1290	2060	1600	335	190	280	560	2830	3480	o.r.
1SG7 567-6KA90-0CC0	10300	1060	1290	2060	1600	600	190	280	560	2830	3750	o.r.
1SG7 568-6KA90-0CA0	10850	1060	1290	2060	1600	335	190	280	560	2830	3480	o.r.
1SG7 568-6KA90-0CC0	10900	1060	1290	2060	1600	600	190	280	560	2830	3750	o.r.
1SG8 632-6KA90-0CG0	11400	1320	1520	2520	1600	375	200	280	630	3700	3920	o.r.
1SG8 632-6KA90-0CJ0	11500	1320	1520	2520	1600	630	200	280	630	3700	4170	o.r.
1SG8 633-6KA90-0CG0	11800	1320	1520	2520	1600	375	200	280	630	3700	3920	o.r.
1SG8 633-6KA90-0CJ0	11900	1320	1520	2520	1600	630	200	280	630	3700	4170	o.r.
1SG8 634-6KA90-0CG0	12350	1320	1520	2520	1600	375	200	280	630	3700	3920	o.r.
1SG8 634-6KA90-0CJ0	12450	1320	1520	2520	1600	630	200	280	630	3700	4170	o.r.
1SG8 637-6KA90-0CG0	13150	1320	1520	2520	1800	375	200	280	630	3700	4120	o.r.
1SG8 637-6KA90-0CJ0	13250	1320	1520	2520	1800	630	200	280	630	3700	4370	o.r.
1SG8 638-6KA90-0CG0	13650	1320	1520	2520	1800	375	200	280	630	3700	4120	o.r.
1SG8 638-6KA90-0CJ0	13800	1320	1520	2520	1800	630	200	280	630	3700	4370	o.r.
1SG8 712-6KA90-0CG0	15300	1500	1620	2720	2000	375	220	280	710	3090	3920	o.r.
1SG8 712-6KA90-0CJ0	15450	1500	1620	2720	2000	630	220	280	710	3090	4180	o.r.
1SG8 713-6KA90-0CG0	16250	1500	1620	2720	2000	375	220	280	710	3090	3920	o.r.
1SG8 713-6KA90-0CJ0	16400	1500	1620	2720	2000	630	220	280	710	3090	4180	o.r.
1SG8 714-6KA90-0CG0	17250	1500	1620	2720	2000	375	220	280	710	3090	3920	o.r.
1SG8 714-6KA90-0CJ0	17350	1500	1620	2720	2000	630	220	280	710	3090	4180	o.r.
1SG8 717-6KA90-0CG0	18750	1500	1620	2720	2240	375	220	280	710	3090	4160	o.r.
1SG8 717-6KA90-0CJ0	18900	1500	1620	2720	2240	630	220	280	710	3090	4420	o.r.
1SG8 718-6KA90-0CG0	19800	1500	1620	2720	2240	375	220	280	710	3090	4160	o.r.
1SG8 718-6KA90-0CJ0	19950	1500	1620	2720	2240	630	220	280	710	3090	4420	o.r.
8-pole												
1SG7 451-8KA90-0AA0	4450	850	1140	1760	1180	250	130	200	450	2350	2710	o.r.

Motor type	Weight		Dimensions										
	kg	A	AD	AE	B	C	D	E	H	HD	L	ML	
		mm	mm	mm	mm	mm	mm	mm	mm	mm	mm	mm	mm
Innomotics HV M - 1SG. IC616 11000 V / 50 Hz B3 (IM 1001) - Dimension drawings													
1SG7 451-8KA90-0AC0	4500	850	1140	1760	1180	500	130	200	450	2350	2960	o.r.	
1SG7 451-8KA90-0CA0	4600	850	1140	1760	1180	250	130	200	450	2350	2710	o.r.	
1SG7 451-8KA90-0CC0	4650	850	1140	1760	1180	500	130	200	450	2350	2960	o.r.	
1SG7 452-8KA90-0AA0	4600	850	1140	1760	1180	250	130	200	450	2350	2710	o.r.	
1SG7 452-8KA90-0AC0	4650	850	1140	1760	1180	500	130	200	450	2350	2960	o.r.	
1SG7 452-8KA90-0CA0	4750	850	1140	1760	1180	250	130	200	450	2350	2710	o.r.	
1SG7 452-8KA90-0CC0	4800	850	1140	1760	1180	500	130	200	450	2350	2960	o.r.	
1SG7 453-8KA90-0AA0	4850	850	1140	1760	1180	250	130	200	450	2350	2710	o.r.	
1SG7 453-8KA90-0AC0	4850	850	1140	1760	1180	500	130	200	450	2350	2960	o.r.	
1SG7 453-8KA90-0CA0	5000	850	1140	1760	1180	250	130	200	450	2350	2710	o.r.	
1SG7 453-8KA90-0CC0	5000	850	1140	1760	1180	500	130	200	450	2350	2960	o.r.	
1SG7 454-8KA90-0AA0	5050	850	1140	1760	1180	250	130	200	450	2350	2710	o.r.	
1SG7 454-8KA90-0AC0	5100	850	1140	1760	1180	500	130	200	450	2350	2960	o.r.	
1SG7 454-8KA90-0CA0	5200	850	1140	1760	1180	250	130	200	450	2350	2710	o.r.	
1SG7 454-8KA90-0CC0	5250	850	1140	1760	1180	500	130	200	450	2350	2960	o.r.	
1SG7 457-8KA90-0AA0	5600	850	1140	1760	1400	250	130	200	450	2350	2920	o.r.	
1SG7 457-8KA90-0AC0	5600	850	1140	1760	1400	500	130	200	450	2350	3170	o.r.	
1SG7 457-8KA90-0CA0	5750	850	1140	1760	1400	250	130	200	450	2350	2920	o.r.	
1SG7 457-8KA90-0CC0	5800	850	1140	1760	1400	500	130	200	450	2350	3170	o.r.	
1SG7 458-8KA90-0AA0	5850	850	1140	1760	1400	250	130	200	450	2350	2920	o.r.	
1SG7 458-8KA90-0AC0	5850	850	1140	1760	1400	500	130	200	450	2350	3170	o.r.	
1SG7 458-8KA90-0CA0	6000	850	1140	1760	1400	250	130	200	450	2350	2920	o.r.	
1SG7 458-8KA90-0CC0	6050	850	1140	1760	1400	500	130	200	450	2350	3170	o.r.	
1SG7 501-8KA90-0AA0	5750	950	1220	1920	1320	315	160	240	500	2620	3060	o.r.	
1SG7 501-8KA90-0AC0	5750	950	1220	1920	1320	560	170	240	500	2620	3300	o.r.	
1SG7 501-8KA90-0CA0	5900	950	1220	1920	1320	315	160	240	500	2620	3060	o.r.	
1SG7 501-8KA90-0CC0	5950	950	1220	1920	1320	560	170	240	500	2620	3300	o.r.	
1SG7 502-8KA90-0AA0	6500	950	1220	1920	1320	315	160	240	500	2620	3060	o.r.	
1SG7 502-8KA90-0AC0	6550	950	1220	1920	1320	560	170	240	500	2620	3300	o.r.	
1SG7 502-8KA90-0CA0	6700	950	1220	1920	1320	315	160	240	500	2620	3060	o.r.	
1SG7 502-8KA90-0CC0	6750	950	1220	1920	1320	560	170	240	500	2620	3300	o.r.	
1SG7 503-8KA90-0AA0	6750	950	1220	1920	1320	315	160	240	500	2620	3060	o.r.	
1SG7 503-8KA90-0AC0	6800	950	1220	1920	1320	560	170	240	500	2620	3300	o.r.	
1SG7 507-8KA90-0AA0	7700	950	1220	1920	1500	315	160	240	500	2620	3270	o.r.	
1SG7 507-8KA90-0AC0	7750	950	1220	1920	1500	560	170	240	500	2620	3510	o.r.	
1SG7 507-8KA90-0CA0	7950	950	1220	1920	1500	315	160	240	500	2620	3270	o.r.	
1SG7 507-8KA90-0CC0	8000	950	1220	1920	1500	560	170	240	500	2620	3510	o.r.	

Motor type	Weight	Dimensions										
	kg	A mm	AD mm	AE mm	B mm	C mm	D mm	E mm	H mm	HD mm	L mm	ML mm
Innomotics HV M - 1SG. IC616 11000 V / 50 Hz B3 (IM 1001) - Dimension drawings												
1SG7 508-8KA90-0AA0	8000	950	1220	1920	1500	315	160	240	500	2620	3270	o.r.
1SG7 508-8KA90-0AC0	8100	950	1220	1920	1500	560	170	240	500	2620	3510	o.r.
1SG7 508-8KA90-0CA0	8300	950	1220	1920	1500	315	160	240	500	2620	3270	o.r.
1SG7 508-8KA90-0CC0	8350	950	1220	1920	1500	560	170	240	500	2620	3510	o.r.
1SG7 563-8KA90-0CA0	8900	1060	1290	2060	1400	335	190	280	560	2830	3250	o.r.
1SG7 563-8KA90-0CC0	8950	1060	1290	2060	1400	600	190	280	560	2830	3520	o.r.
1SG7 564-8KA90-0CA0	9300	1060	1290	2060	1400	335	190	280	560	2830	3250	o.r.
1SG7 564-8KA90-0CC0	9400	1060	1290	2060	1400	600	190	280	560	2830	3520	o.r.
1SG7 567-8KA90-0CA0	10250	1060	1290	2060	1600	335	190	280	560	2830	3480	o.r.
1SG7 567-8KA90-0CC0	10350	1060	1290	2060	1600	600	190	280	560	2830	3750	o.r.
1SG7 568-8KA90-0CA0	10750	1060	1290	2060	1600	335	190	280	560	2830	3480	o.r.
1SG7 568-8KA90-0CC0	10850	1060	1290	2060	1600	600	190	280	560	2830	3750	o.r.
1SG8 634-8KA90-0CG0	11500	1320	1520	2520	1600	375	200	280	630	3700	3920	o.r.
1SG8 634-8KA90-0CJ0	11600	1320	1520	2520	1600	630	200	280	630	3700	4170	o.r.
1SG8 637-8KA90-0CG0	12700	1320	1520	2520	1800	375	200	280	630	3700	4120	o.r.
1SG8 637-8KA90-0CJ0	12800	1320	1520	2520	1800	630	200	280	630	3700	4370	o.r.
1SG8 638-8KA90-0CG0	13400	1320	1520	2520	1800	375	200	280	630	3700	4120	o.r.
1SG8 638-8KA90-0CJ0	13500	1320	1520	2520	1800	630	200	280	630	3700	4370	o.r.
1SG8 712-8KA90-0CG0	14750	1500	1620	2720	2000	375	220	280	710	3090	3920	o.r.
1SG8 712-8KA90-0CJ0	14950	1500	1620	2720	2000	630	220	280	710	3090	4180	o.r.
1SG8 713-8KA90-0CG0	15550	1500	1620	2720	2000	375	220	280	710	3090	3920	o.r.
1SG8 713-8KA90-0CJ0	15750	1500	1620	2720	2000	630	220	280	710	3090	4180	o.r.
1SG8 714-8KA90-0CG0	16650	1500	1620	2720	2000	375	220	280	710	3090	3920	o.r.
1SG8 714-8KA90-0CJ0	16850	1500	1620	2720	2000	630	220	280	710	3090	4180	o.r.
1SG8 717-8KA90-0CG0	18250	1500	1620	2720	2240	375	220	280	710	3090	4160	o.r.
1SG8 717-8KA90-0CJ0	18450	1500	1620	2720	2240	630	220	280	710	3090	4420	o.r.
1SG8 718-8KA90-0CG0	19300	1500	1620	2720	2240	375	220	280	710	3090	4160	o.r.
1SG8 718-8KA90-0CJ0	19500	1500	1620	2720	2240	630	220	280	710	3090	4420	o.r.

Innomotics HV M - 1SG. IC616 13800 V / 60 Hz B3 (IM 1001)																			
Rated power IEC	Article No.	Speed	Rated current I_R	Efficiency				Power factor				Torque T_R	Breakdown torque T_B/ T_R	Locked rotor torque T_{LR}/ T_R	Locked rotor current I_{LR}/ I_R	Inertia			
				5/4 load	4/4 load	3/4 load	2/4 load	5/4 load	4/4 load	3/4 load	2/4 load					rotor	motor	external	Startup max T/TR
kW		rpm	A	%	%	%	%	cos φ	cos φ	cos φ	cos φ	Nm	[-]	[-]	[-]	kgm ²	kgm ²	kgm ²	[-]
2-pole: $n_{sync} = 3600$ rpm at 60 Hz																			
4800	1SG8 633-2KA20-0CJ0	3587	235	95.7	95.8	94.9	93.1	0.89	0.90	0.90	0.87	12779	2.50	0.65	6.0	82	220		o.r.
5900	1SG8 637-2KA20-0CJ0	3588	280	96.2	96.2	95.5	93.9	0.90	0.91	0.91	0.88	15703	2.60	0.60	6.0	98	240		o.r.
7400	1SG8 714-2KA20-0CJ0	3589	355	96.1	95.9	95.2	93.5	0.90	0.91	0.91	0.89	19689	2.40	0.60	6.0	172	170		o.r.
8500	1SG8 717-2KA20-0CJ0	3589	405	96.3	96.2	95.5	93.9	0.90	0.91	0.91	0.90	22616	2.50	0.55	6.0	200	180		o.r.
4-pole: $n_{sync} = 1800$ rpm at 60 Hz																			
4950	1SG8 633-4KA20-0C.0	1792	240	96.2	96.3	96.0	94.9	0.89	0.90	0.88	0.84	26378	2.55	0.55	6.0	150	600		o.r.
5700	1SG8 637-4KA20-0C.0	1792	270	96.4	96.6	96.4	95.4	0.89	0.91	0.90	0.88	30374	2.50	0.60	6.0	182	730		o.r.
7250	1SG8 713-4KA20-0C.0	1793	345	96.6	96.8	96.6	95.7	0.89	0.91	0.90	0.87	38613	2.60	0.45	6.0	282	680		o.r.
8800	1SG8 717-4KA20-0C.0	1793	415	96.9	97.0	96.9	96.2	0.90	0.91	0.91	0.88	46868	2.60	0.45	6.0	344	970		o.r.
6-pole: $n_{sync} = 1200$ rpm at 60 Hz																			
4000	1SG8 633-6KA20-0C.0	1193	198	95.9	96.2	96.1	95.3	0.86	0.88	0.85	0.79	32018	2.40	0.55	5.5	209	1060		o.r.
4850	1SG8 637-6KA20-0C.0	1193	240	96.3	96.5	96.4	95.6	0.86	0.88	0.85	0.79	38822	2.40	0.55	5.5	246	1560		o.r.
6800	1SG8 714-6KA20-0C.0	1195	335	96.8	97.0	97.0	96.4	0.87	0.88	0.86	0.81	54339	2.40	0.50	5.5	421	1830		o.r.
7500	1SG8 717-6KA20-0C.0	1195	365	96.9	97.2	97.1	96.5	0.87	0.88	0.87	0.82	59933	2.40	0.50	5.5	475	2090		o.r.

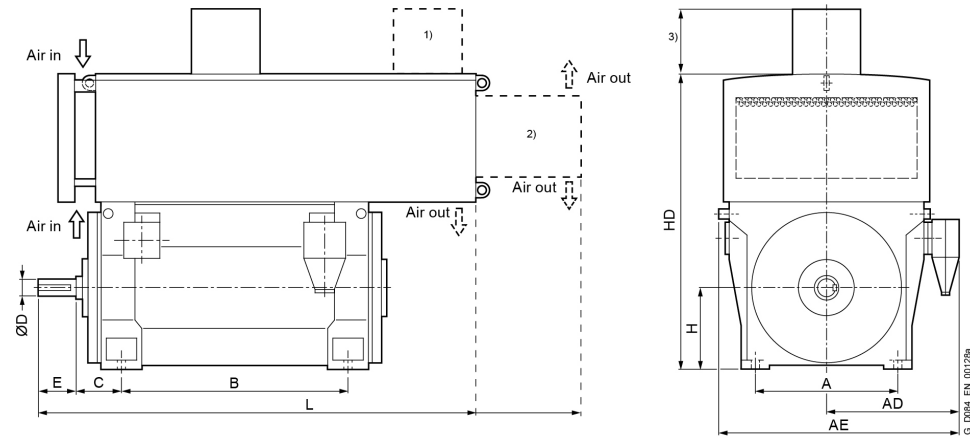
Motor type	Weight	Dimensions										
	kg	A mm	AD mm	AE mm	B mm	C mm	D mm	E mm	H mm	HD mm	L mm	ML mm
Innomotics HV M - 1SG. IC616 13800 V / 60 Hz B3 (IM 1001) - Dimension drawings												
2-pole												
1SG8 633-2KA20-0CJ0	10650	1320	1647	2647	1600	560	160	240	630	3840	4060	o.r.
1SG8 637-2KA20-0CJ0	12050	1320	1647	2647	1800	560	160	240	630	3840	4260	o.r.
1SG8 714-2KA20-0CJ0	15300	1500	1747	2847	2000	560	180	240	710	3090	4070	o.r.
1SG8 717-2KA20-0CJ0	17150	1500	1747	2847	2240	560	180	240	710	3090	4310	o.r.
4-pole												
1SG8 633-4KA20-0CG0	11400	1320	1647	2647	1600	375	200	280	630	3840	3920	o.r.
1SG8 633-4KA20-0CJ0	11500	1320	1647	2647	1600	630	200	280	630	3840	4170	o.r.
1SG8 637-4KA20-0CG0	12800	1320	1647	2647	1800	375	200	280	630	3840	4120	o.r.
1SG8 637-4KA20-0CJ0	12900	1320	1647	2647	1800	630	200	280	630	3840	4370	o.r.
1SG8 713-4KA20-0CG0	15750	1500	1747	2847	2000	375	220	280	710	3090	3920	o.r.
1SG8 713-4KA20-0CJ0	15900	1500	1747	2847	2000	630	220	280	710	3090	4180	o.r.
1SG8 717-4KA20-0CG0	17900	1500	1747	2847	2240	375	220	280	710	3090	4160	o.r.
1SG8 717-4KA20-0CJ0	18050	1500	1747	2847	2240	630	220	280	710	3090	4420	o.r.
6-pole												
1SG8 633-6KA20-0CG0	11650	1320	1647	2647	1600	375	200	280	630	3760	3920	o.r.
1SG8 633-6KA20-0CJ0	11800	1320	1647	2647	1600	630	200	280	630	3760	4170	o.r.
1SG8 637-6KA20-0CG0	13000	1320	1647	2647	1800	375	200	280	630	3760	4120	o.r.
1SG8 637-6KA20-0CJ0	13100	1320	1647	2647	1800	630	200	280	630	3760	4370	o.r.
1SG8 714-6KA20-0CG0	17050	1500	1747	2847	2000	375	220	280	710	3090	3920	o.r.
1SG8 714-6KA20-0CJ0	17150	1500	1747	2847	2000	630	220	280	710	3090	4180	o.r.
1SG8 717-6KA20-0CG0	18550	1500	1747	2847	2240	375	220	280	710	3090	4160	o.r.
1SG8 717-6KA20-0CJ0	18700	1500	1747	2847	2240	630	220	280	710	3090	4420	o.r.

Innomotics HV M - 1SG. IC666 6000 V / 50 Hz B3 (IM 1001)																		
Rated power IEC kW	Article No.	Speed	Rated current	Efficiency				Power factor				Torque	Breakdown torque	Locked rotor torque	Locked rotor current	Inertia		
		rpm	I_R A	5/4 load	4/4 load	3/4 load	2/4 load	5/4 load	4/4 load	3/4 load	2/4 load	T_R Nm	T_B/ T_R [-]	T_{LR}/ T_R [-]	I_{LR}/ I_R [-]	motor	external	Startup max T/TR
2-pole: $n_{sync} = 3000$ rpm at 50 Hz																		
1410	1SG7 453-2MA60-0A.2	2978	158	95.5	95.9	96.1	95.5	0.88	0.89	0.88	0.84	4525	2.40	0.55	5.5	10	55	o.r.
1440	1SG7 453-2MA60-0C.2	2976	162	95.4	96.0	96.2	95.8	0.87	0.89	0.89	0.86	4625	2.15	0.55	4.7	14	135	o.r.
1600	1SG7 454-2MA60-0A.2	2978	180	95.6	96.0	96.1	95.5	0.88	0.89	0.88	0.83	5133	2.40	0.55	5.5	11	55	o.r.
1600	1SG7 454-2MA60-0C.2	2978	178	95.6	96.1	96.1	95.5	0.88	0.90	0.89	0.85	5131	2.45	0.60	5.4	15	135	o.r.
1800	1SG7 457-2MA60-0A.2	2976	200	95.6	96.1	96.4	96.1	0.88	0.90	0.90	0.87	5778	2.40	0.55	5.5	12	55	o.r.
1800	1SG7 457-2MA60-0C.2	2978	200	95.7	96.2	96.3	95.9	0.90	0.90	0.90	0.87	5774	2.50	0.65	5.5	16	135	o.r.
2000	1SG7 458-2MA60-0A.2	2976	220	95.9	96.3	96.5	96.1	0.89	0.90	0.90	0.86	6419	2.50	0.60	5.6	13	60	o.r.
2000	1SG7 458-2MA60-0C.2	2978	220	95.9	96.4	96.6	96.1	0.89	0.90	0.90	0.87	6416	2.50	0.65	5.5	18	140	o.r.
2120	1SG7 503-2MA60-0A.2	2970	240	95.7	96.2	96.4	96.2	0.88	0.89	0.88	0.84	6817	2.50	0.65	4.9	15	44	o.r.
2200	1SG7 503-2MA60-0C.2	2975	245	95.9	96.4	96.6	96.3	0.88	0.89	0.89	0.86	7065	2.35	0.65	4.6	20	120	o.r.
2160	1SG7 504-2MA60-0A.2	2971	240	95.9	96.3	96.5	96.2	0.89	0.90	0.88	0.84	6941	2.65	0.60	5.2	15	52	o.r.
2260	1SG7 504-2MA60-0C.2	2975	250	96.0	96.4	96.6	96.4	0.89	0.90	0.90	0.85	7255	2.50	0.65	4.8	21	124	o.r.
2510	1SG7 507-2MA60-0A.2	2973	280	96.2	96.6	96.8	96.5	0.90	0.90	0.89	0.84	8061	2.75	0.75	5.6	18	58	o.r.
2630	1SG7 507-2MA60-0C.2	2977	290	96.3	96.7	96.9	96.6	0.90	0.91	0.90	0.86	8437	2.60	0.75	5.1	24	128	o.r.
2700	1SG7 508-2MA60-0A.2	2975	295	96.4	96.8	96.9	96.7	0.91	0.91	0.90	0.85	8664	2.95	0.85	6.1	20	72	o.r.
2840	1SG7 508-2MA60-0C.2	2979	305	96.5	96.9	97.0	96.8	0.91	0.92	0.91	0.87	9105	2.75	0.85	5.6	27	144	o.r.
3200	1SG7 562-2MA60-0CC2	2984	350	96.3	96.4	96.3	95.6	0.91	0.91	0.90	0.86	10247	2.55	0.70	5.8	41	260	o.r.
3550	1SG7 563-2MA60-0CC2	2984	390	96.5	96.6	96.5	95.8	0.90	0.91	0.90	0.86	11367	2.55	0.65	5.7	44	270	o.r.
4000	1SG7 564-2MA60-0CC2	2983	440	96.4	96.5	96.3	95.6	0.91	0.91	0.91	0.87	12814	2.45	0.65	5.5	47	275	o.r.
4500	1SG7 567-2MA60-0CC2	2984	485	96.6	96.7	96.5	95.8	0.92	0.92	0.91	0.87	14407	2.60	0.65	5.9	52	275	o.r.
5000	1SG7 568-2MA60-0CC2	2986	540	96.9	96.8	96.7	95.9	0.92	0.92	0.90	0.86	15993	2.85	0.65	5.9	58	295	o.r.
5600	1SG8 633-2MA60-0CJ0	2983	630	96.4	96.7	96.4	95.5	0.87	0.89	0.90	0.88	17927	2.20	0.60	5.2	82	250	o.r.
6100	1SG8 634-2MA60-0CJ0	2983	670	96.5	96.9	96.6	95.8	0.88	0.90	0.90	0.89	19528	2.20	0.60	5.2	90	250	o.r.
6750	1SG8 637-2MA60-0CJ0	2984	740	96.8	97.1	96.8	96.0	0.89	0.91	0.91	0.90	21601	2.35	0.65	5.5	99	260	o.r.
7300	1SG8 638-2MA60-0CJ0	2985	790	96.9	97.2	96.9	96.1	0.90	0.91	0.91	0.89	23353	2.50	0.65	5.9	107	270	o.r.
7950	1SG8 712-2MA60-0CJ0	2986	890	96.6	96.7	96.5	95.6	0.86	0.89	0.89	0.88	25424	2.00	0.55	4.7	149	190	o.r.
8550	1SG8 713-2MA60-0CJ0	2987	940	96.7	96.9	96.6	95.7	0.87	0.90	0.90	0.88	27334	2.15	0.60	5.1	160	149	o.r.
8800	1SG8 714-2MA60-0CJ0	2988	970	96.8	96.9	96.6	95.7	0.88	0.90	0.90	0.88	28124	2.25	0.45	5.2	172	240	o.r.
9100	1SG8 716-2MA60-0CJ0	2985	990	96.8	97.0	96.8	96.1	0.88	0.91	0.92	0.92	29112	2.05	0.55	4.8	186	210	o.r.
10100	1SG8 717-2MA60-0CJ0	2986	1100	97.0	97.2	97.0	96.4	0.88	0.91	0.92	0.91	32300	2.05	0.55	4.9	201	220	o.r.
11000	1SG8 718-2MA60-0CJ0	2988	1180	97.3	97.4	97.1	96.4	0.90	0.92	0.91	0.90	35155	2.25	0.50	5.4	217	250	o.r.
4-pole: $n_{sync} = 1500$ rpm at 50 Hz																		
1320	1SG7 453-4MA60-0A.2	1483	150	95.0	95.7	95.8	95.6	0.87	0.88	0.86	0.80	8504	2.50	0.70	5.7	17	275	o.r.
1400	1SG7 453-4MA60-0C.2	1486	160	95.2	95.8	96.0	95.8	0.87	0.88	0.87	0.82	9008	2.25	0.50	5.0	23	500	o.r.
1430	1SG7 454-4MA60-0A.0	1484	166	95.1	95.7	95.9	95.6	0.87	0.87	0.83	0.74	9206	2.70	0.85	5.9	19	325	o.r.
1600	1SG7 454-4MA60-0C.2	1486	182	95.4	96.0	96.2	95.9	0.87	0.88	0.86	0.80	10288	2.35	0.50	5.0	26	535	o.r.

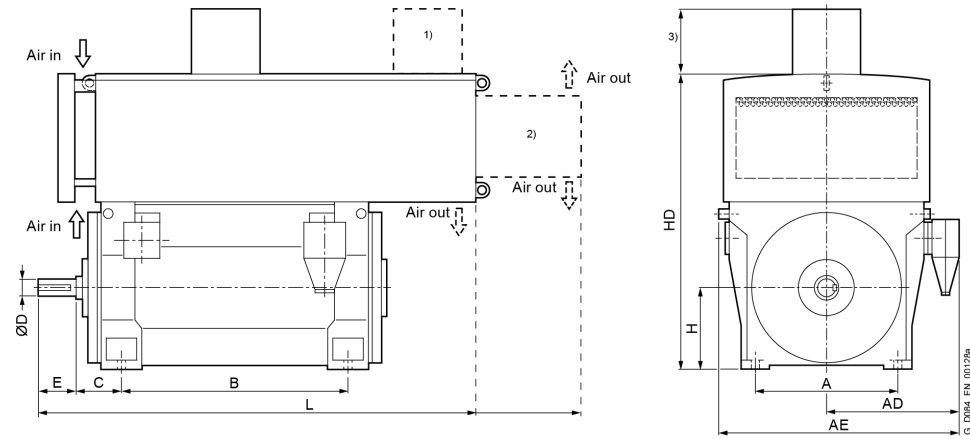
Innomotics HV M - 1SG. IC666 6000 V / 50 Hz B3 (IM 1001)																		
Rated power IEC	Article No.	Speed	Rated current I_R	Efficiency				Power factor				Torque T_R	Breakdown torque T_B/ T_R	Locked torque T_{LR}/ T_R	rotor Locked current I_{LR}/ I_R	Inertia		
				5/4 load	4/4 load	3/4 load	2/4 load	5/4 load	4/4 load	3/4 load	2/4 load					motor	external	Startup max T/TR
kW		rpm	A	%	%	%	%	$\cos \varphi$	$\cos \varphi$	$\cos \varphi$	$\cos \varphi$	Nm	[-]	[-]	[-]	kgm ²	kgm ²	[-]
1800	1SG7 457-4MA60-0C.2	1488	205	95.9	96.3	96.4	96.1	0.88	0.88	0.86	0.79	11554	2.65	0.60	6.0	30	690	o.r.
1660	1SG7 457-4MA60-0A.2	1484	184	95.5	96.1	96.3	96.1	0.89	0.90	0.88	0.83	10686	2.65	0.80	5.8	22	375	o.r.
2000	1SG7 458-4MA60-0C.2	1489	225	96.0	96.4	96.5	96.2	0.88	0.88	0.86	0.78	12833	2.75	0.60	6.0	33	730	o.r.
1800	1SG7 458-4MA60-0A.2	1485	200	95.7	96.2	96.4	96.2	0.89	0.90	0.88	0.83	11581	2.75	0.85	6.0	24	410	o.r.
2170	1SG7 503-4MA60-0C.2	1488	245	96.0	96.4	96.6	96.2	0.89	0.89	0.87	0.82	13931	2.55	0.65	5.2	45	690	o.r.
2100	1SG7 503-4MA60-0A.2	1485	235	95.7	96.3	96.6	96.3	0.88	0.90	0.89	0.85	13517	2.30	0.80	5.1	37	560	o.r.
2370	1SG7 504-4MA60-0C.2	1489	260	96.2	96.6	96.7	96.3	0.89	0.90	0.87	0.82	15207	2.60	0.70	5.5	50	735	o.r.
2240	1SG7 504-4MA60-0A.2	1485	250	95.8	96.4	96.7	96.4	0.89	0.90	0.89	0.86	14412	2.40	0.90	5.4	40	605	o.r.
2650	1SG7 507-4MA60-0C.2	1490	295	96.4	96.7	96.9	96.4	0.89	0.90	0.87	0.82	16997	2.60	0.70	5.5	56	825	o.r.
2470	1SG7 507-4MA60-0A.2	1485	270	96.0	96.5	96.8	96.6	0.89	0.91	0.90	0.87	15890	2.50	0.95	5.6	46	675	o.r.
2880	1SG7 508-4MA60-0C.2	1491	320	96.5	96.8	96.9	96.5	0.89	0.89	0.87	0.81	18460	2.90	0.75	6.0	62	865	o.r.
2700	1SG7 508-4MA60-0A.2	1488	300	96.2	96.7	97.0	96.8	0.89	0.90	0.90	0.87	17368	2.45	0.90	5.6	50	795	o.r.
3150	1SG7 563-4MA60-0C.2	1491	355	96.6	96.9	97.1	96.8	0.88	0.88	0.87	0.83	20188	2.35	0.65	5.6	80	680	o.r.
3600	1SG7 564-4MA60-0C.2	1490	401	96.6	97.0	97.2	97.0	0.88	0.89	0.89	0.86	23090	2.20	0.60	5.2	90	780	o.r.
4100	1SG7 566-4MA60-0C.2	1490	451	96.7	97.1	97.3	97.2	0.88	0.90	0.90	0.87	26297	2.20	0.70	5.3	100	780	o.r.
4650	1SG7 567-4MA60-0C.2	1491	517	97.0	97.2	97.4	97.2	0.88	0.89	0.88	0.84	29796	2.40	0.65	5.7	109	860	o.r.
5000	1SG7 568-4MA60-0C.2	1492	556	97.1	97.3	97.5	97.1	0.89	0.89	0.87	0.81	32005	2.70	0.80	6.5	119	830	o.r.
5500	1SG8 633-4MA60-0C.0	1491	610	96.6	97.0	96.9	96.4	0.88	0.89	0.88	0.84	35225	2.40	0.60	5.7	151	660	o.r.
5850	1SG8 634-4MA60-0C.0	1491	640	96.7	97.0	97.0	96.5	0.88	0.90	0.89	0.85	37467	2.40	0.60	5.8	166	760	o.r.
6550	1SG8 637-4MA60-0C.0	1492	720	96.9	97.2	97.1	96.6	0.89	0.90	0.88	0.84	41922	2.50	0.60	6.0	181	820	o.r.
7250	1SG8 638-4MA60-0C.0	1492	810	97.0	97.3	97.2	96.7	0.88	0.89	0.87	0.81	46402	2.55	0.60	6.0	197	910	o.r.
7950	1SG8 712-4MA60-0C.0	1492	880	97.0	97.3	97.3	96.8	0.88	0.89	0.88	0.84	50883	2.35	0.50	5.5	258	830	o.r.
8450	1SG8 713-4MA60-0C.0	1492	940	97.2	97.4	97.4	96.9	0.89	0.89	0.88	0.84	54083	2.50	0.50	5.8	282	930	o.r.
9150	1SG8 714-4MA60-0C.0	1493	1000	97.3	97.5	97.5	97.1	0.89	0.90	0.89	0.85	58524	2.60	0.55	6.0	310	1040	o.r.
10100	1SG8 717-4MA60-0C.0	1493	1100	97.4	97.6	97.6	97.2	0.89	0.90	0.89	0.85	64600	2.60	0.55	6.0	344	1140	o.r.
10350	1SG8 718-4MA60-0C.0	1492	1120	97.3	97.6	97.7	97.3	0.90	0.91	0.91	0.89	66243	2.55	0.55	6.0	365	1170	o.r.
6-pole: n_{sync} = 1000 rpm at 50 Hz																		
1080	1SG7 453-6MA60-0A.2	989	128	94.7	95.5	95.8	95.6	0.85	0.85	0.82	0.74	10435	2.20	0.80	5.1	22	845	o.r.
1100	1SG7 453-6MA60-0C.0	989	130	94.6	95.4	95.8	95.7	0.85	0.86	0.84	0.77	10628	2.25	0.65	5.0	30	1030	o.r.
1230	1SG7 454-6MA60-0C.2	989	146	94.9	95.6	95.9	95.8	0.85	0.85	0.83	0.75	11883	2.30	0.65	5.0	33	1300	o.r.
1120	1SG7 454-6MA60-0A.2	990	132	94.8	95.6	95.9	95.8	0.85	0.86	0.83	0.75	10816	2.40	0.85	5.5	24	875	o.r.
1320	1SG7 457-6MA60-0A.0	990	156	95.0	95.7	96.0	95.9	0.85	0.85	0.82	0.74	12747	2.40	0.80	5.3	28	1130	o.r.
1350	1SG7 457-6MA60-0C.0	989	158	95.0	95.7	96.0	96.0	0.85	0.86	0.84	0.77	13034	2.35	0.65	5.1	36	1365	o.r.
1420	1SG7 458-6MA60-0A.2	991	166	95.3	95.9	96.2	96.0	0.86	0.86	0.82	0.73	13697	2.55	0.90	5.8	31	1250	o.r.
1450	1SG7 458-6MA60-0C.2	990	168	95.3	96.0	96.2	96.1	0.86	0.87	0.84	0.77	13990	2.50	0.70	5.3	41	1470	o.r.
1880	1SG7 503-6MA60-0C.2	992	210	95.8	96.3	96.5	96.3	0.84	0.86	0.82	0.74	18109	2.35	0.75	4.7	60	1740	o.r.
1860	1SG7 503-6MA60-0A.2	990	210	95.4	96.1	96.5	96.5	0.84	0.86	0.84	0.78	17956	2.15	0.85	4.6	46	1560	o.r.

Innomotics HV M - 1SG. IC666 6000 V / 50 Hz B3 (IM 1001)																		
Rated power IEC	Article No.	Speed	Rated current I_R	Efficiency				Power factor				Torque T_R	Breakdown torque T_B / T_R	Locked rotor torque T_{LR} / T_R	Locked rotor current I_{LR} / I_R	Inertia		
				5/4 load	4/4 load	3/4 load	2/4 load	5/4 load	4/4 load	3/4 load	2/4 load					motor	external	Startup max T/TR
kW		rpm	A	%	%	%	%	$\cos \varphi$	$\cos \varphi$	$\cos \varphi$	$\cos \varphi$	Nm	[-]	[-]	[-]	kgm ²	kgm ²	[-]
1960	1SG7 504-6MA60-0A.2	990	230	95.7	96.3	96.6	96.5	0.85	0.86	0.84	0.77	18901	2.35	0.90	5.0	51	1890	o.r.
2000	1SG7 504-6MA60-0C.2	992	230	95.9	96.4	96.7	96.5	0.85	0.86	0.84	0.77	19263	2.40	0.85	4.9	66	2070	o.r.
2280	1SG7 507-6MA60-0C.2	992	260	96.1	96.6	96.8	96.7	0.85	0.86	0.84	0.77	21960	2.35	0.75	4.8	74	2440	o.r.
2000	1SG7 507-6MA60-0A.2	990	230	95.6	96.2	96.7	96.7	0.86	0.86	0.87	0.82	19302	2.15	0.90	4.7	58	1800	o.r.
2310	1SG7 508-6MA60-0C.2	992	265	96.1	96.7	96.9	96.8	0.86	0.86	0.86	0.80	22248	2.30	0.80	4.7	80	2270	o.r.
2260	1SG7 508-6MA60-0A.2	990	255	95.9	96.4	96.9	96.8	0.86	0.86	0.86	0.82	21803	2.25	0.90	4.9	63	2240	o.r.
2500	1SG7 561-6MA60-0C.2	992	290	95.8	96.3	96.6	96.5	0.85	0.86	0.85	0.81	24089	1.90	0.60	5.5	97	2025	o.r.
2700	1SG7 562-6MA60-0C.2	992	315	96.0	96.4	96.7	96.7	0.85	0.86	0.85	0.82	26010	2.00	0.60	5.5	105	2245	o.r.
2900	1SG7 563-6MA60-0C.2	992	335	96.0	96.6	96.7	96.5	0.85	0.86	0.85	0.81	27928	2.00	0.60	5.5	113	2540	o.r.
3250	1SG7 564-6MA60-0C.2	992	375	96.1	96.6	96.8	96.6	0.85	0.86	0.86	0.81	31299	2.00	0.60	5.5	124	2485	o.r.
3450	1SG7 567-6MA60-0C.2	993	400	96.3	96.7	96.9	96.7	0.86	0.86	0.86	0.81	33189	2.00	0.60	5.5	137	2885	o.r.
3800	1SG7 568-6MA60-0C.2	993	440	96.6	96.9	97.0	96.8	0.86	0.86	0.85	0.80	36543	2.00	0.60	6.0	151	3430	o.r.
4200	1SG8 632-6MA60-0C.0	992	485	96.2	96.6	96.7	96.2	0.85	0.86	0.83	0.76	40430	2.25	0.55	5.1	193	2140	o.r.
4400	1SG8 633-6MA60-0C.0	992	500	96.2	96.7	96.8	96.4	0.85	0.87	0.85	0.80	42356	2.20	0.60	5.1	209	2370	o.r.
4850	1SG8 634-6MA60-0C.0	993	560	96.5	96.8	96.9	96.3	0.85	0.86	0.82	0.74	46641	2.40	0.60	5.4	227	2640	o.r.
5150	1SG8 637-6MA60-0C.0	993	590	96.6	96.9	96.9	96.4	0.86	0.87	0.83	0.76	49526	2.50	0.60	5.5	247	2930	o.r.
5400	1SG8 638-6MA60-0C.0	993	620	96.7	97.0	97.0	96.5	0.86	0.87	0.83	0.75	51930	2.50	0.60	5.5	264	3300	o.r.
6150	1SG8 712-6MA60-0C.0	993	700	96.8	97.2	97.3	96.9	0.85	0.87	0.85	0.79	59142	2.25	0.55	5.3	331	2520	o.r.
6700	1SG8 713-6MA60-0C.0	994	760	96.9	97.3	97.4	97.0	0.86	0.87	0.86	0.80	64366	2.30	0.55	5.4	373	2990	o.r.
7350	1SG8 714-6MA60-0C.0	995	840	97.1	97.4	97.4	96.9	0.85	0.86	0.83	0.74	70540	2.40	0.50	5.5	420	3730	o.r.
8150	1SG8 717-6MA60-0C.0	995	940	97.2	97.5	97.5	97.0	0.85	0.86	0.83	0.75	78218	2.45	0.50	5.5	474	4310	o.r.
8650	1SG8 718-6MA60-0C.0	995	960	97.2	97.6	97.7	97.4	0.88	0.89	0.87	0.83	83016	2.45	0.60	5.5	524	4370	o.r.
8-pole: n_{sync} = 750 rpm at 50 Hz																		
740	1SG7 452-8MA60-0A.0	739	93	93.8	94.9	95.4	95.3	0.79	0.81	0.78	0.70	9562	1.80	0.60	4.2	25	1710	o.r.
840	1SG7 453-8MA60-0A.0	739	104	94.0	95.1	95.5	95.5	0.80	0.81	0.78	0.70	10852	1.80	0.55	4.1	28	2070	o.r.
910	1SG7 454-8MA60-0A.2	740	114	94.4	95.3	95.6	95.4	0.81	0.81	0.77	0.68	11739	2.00	0.65	4.5	31	2310	o.r.
1010	1SG7 457-8MA60-0A.2	741	128	94.8	95.5	95.6	95.3	0.81	0.80	0.75	0.63	13015	2.20	0.70	4.8	35	2700	o.r.
1120	1SG7 458-8MA60-0A.2	741	140	94.7	95.5	95.7	95.5	0.81	0.81	0.76	0.65	14441	2.10	0.70	4.8	39	2750	o.r.
1250	1SG7 502-8MA60-0A.2	743	154	95.3	95.9	96.2	96.1	0.81	0.81	0.78	0.70	16082	2.15	0.85	4.3	46	2580	o.r.
1400	1SG7 503-8MA60-0A.2	742	172	95.3	96.0	96.4	96.4	0.82	0.82	0.79	0.73	18011	2.05	0.80	4.2	51	2660	o.r.
1400	1SG7 503-8MA60-0C.2	742	170	95.3	96.0	96.4	96.4	0.82	0.83	0.80	0.74	18021	2.10	0.55	4.0	65	3440	o.r.
1500	1SG7 504-8MA60-0A.2	743	180	95.5	96.1	96.5	96.5	0.81	0.83	0.81	0.74	19295	2.10	0.80	4.3	56	2900	o.r.
1520	1SG7 504-8MA60-0C.2	742	184	95.4	96.1	96.5	96.6	0.81	0.83	0.82	0.74	19567	2.10	0.55	4.0	72	4010	o.r.
1600	1SG7 507-8MA60-0A.2	744	194	95.8	96.3	96.5	96.3	0.83	0.82	0.79	0.69	20560	2.35	0.95	4.8	63	3560	o.r.
1600	1SG7 507-8MA60-0C.2	743	192	95.8	96.3	96.5	96.4	0.83	0.83	0.79	0.71	20564	2.40	0.70	4.6	80	4900	o.r.
1800	1SG7 508-8MA60-0A.2	743	215	95.8	96.4	96.7	96.7	0.83	0.83	0.81	0.74	23162	2.15	0.85	4.4	69	3520	o.r.
1800	1SG7 508-8MA60-0C.2	743	215	95.8	96.4	96.7	96.8	0.83	0.84	0.81	0.74	23164	2.25	0.60	4.3	88	5270	o.r.

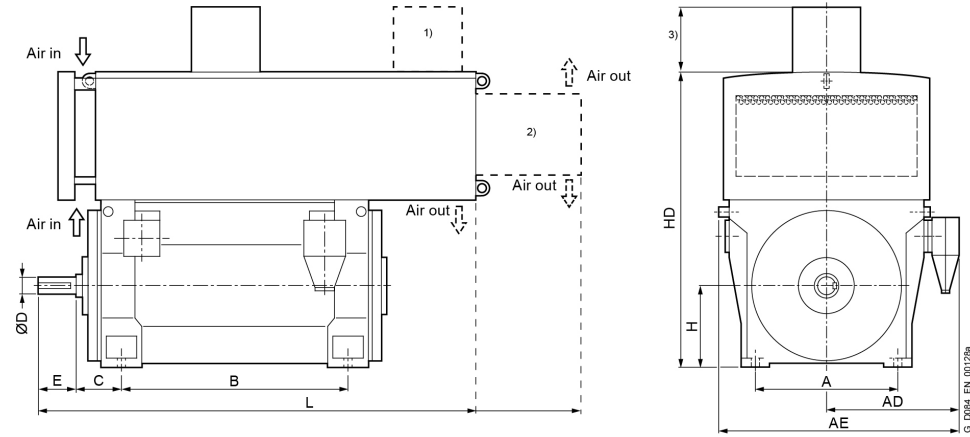
Innomotics HV M - 1SG. IC666 6000 V / 50 Hz B3 (IM 1001)																		
Rated power IEC	Article No.	Speed	Rated current I_R	Efficiency				Power factor				Torque T_R	Breakdown torque T_B/ T_R	Locked rotor torque T_{LR}/ T_R	Locked rotor current I_{LR}/ I_R	Inertia		
				5/4 load	4/4 load	3/4 load	2/4 load	5/4 load	4/4 load	3/4 load	2/4 load					motor	external	Startup max T/TR
kW		rpm	A	%	%	%	%	$\cos \varphi$	$\cos \varphi$	$\cos \varphi$	$\cos \varphi$	Nm	[-]	[-]	[-]	kgm ²	kgm ²	[-]
2050	1SG7 563-8MA60-0C.2	744	245	95.8	96.3	96.6	96.4	0.83	0.83	0.80	0.73	26327	2.25	0.65	4.9	124	3105	o.r.
2240	1SG7 564-8MA60-0C.2	744	270	96.0	96.5	96.7	96.4	0.83	0.83	0.80	0.72	28750	2.35	0.65	5.2	137	3690	o.r.
2500	1SG7 567-8MA60-0C.2	744	295	96.1	96.6	96.9	96.6	0.83	0.84	0.81	0.74	32106	2.25	0.60	5.0	150	4895	o.r.
2800	1SG7 568-8MA60-0C.2	745	335	96.4	96.8	96.9	96.6	0.83	0.83	0.79	0.71	35921	2.45	0.70	5.4	165	6355	o.r.
2900	1SG8 633-8MA60-0C.0	743	340	95.5	96.1	96.2	95.9	0.84	0.85	0.82	0.74	37272	2.05	0.45	4.4	216	3890	o.r.
3550	1SG8 634-8MA60-0C.0	744	415	95.6	96.2	96.2	95.9	0.85	0.86	0.82	0.74	45565	2.20	0.50	4.8	251	3530	o.r.
3850	1SG8 637-8MA60-0C.0	744	450	96.1	96.4	96.4	95.9	0.85	0.85	0.80	0.70	49415	2.25	0.50	4.8	291	6660	o.r.
4100	1SG8 638-8MA60-0C.0	744	480	96.2	96.6	96.5	96.0	0.85	0.85	0.81	0.72	52624	2.25	0.50	4.9	324	7800	o.r.
4300	1SG8 712-8MA60-0C.0	745	455	96.3	96.7	96.8	96.4	0.87	0.87	0.84	0.77	55117	2.35	0.60	5.0	422	6050	o.r.
4600	1SG8 713-8MA60-0C.0	745	510	96.4	96.8	96.8	96.3	0.87	0.87	0.83	0.74	58962	2.50	0.55	5.3	472	5800	o.r.
5200	1SG8 714-8MA60-0C.0	745	570	96.6	96.9	96.9	96.5	0.87	0.87	0.83	0.75	66653	2.45	0.55	5.3	540	6300	o.r.
5800	1SG8 717-8MA60-0C.0	745	630	96.7	97.1	97.1	96.8	0.87	0.88	0.85	0.78	74344	2.40	0.60	5.2	618	8230	o.r.
6150	1SG8 718-8MA60-0C.0	745	690	96.8	97.1	97.2	96.9	0.88	0.88	0.85	0.79	78830	2.45	0.65	5.4	682	8470	o.r.



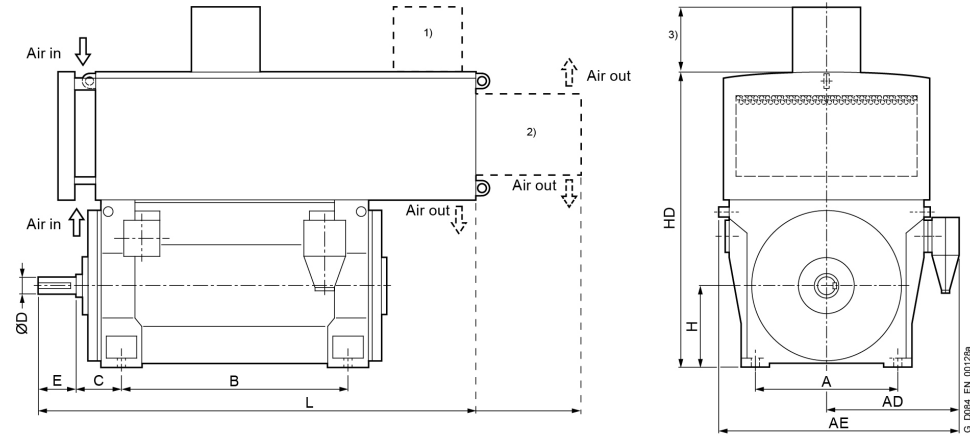
Motor type	Weight	Dimensions											
		A	AD	AE	B	C	D	E	H	HD	L	ML	
	kg	mm	mm	mm	mm	mm	mm	mm	mm	mm	mm	mm	mm
Innomotics HV M - 1SG. IC666 6000 V / 50 Hz B3 (IM 1001) - Dimension drawings													
2-pole													
1SG7 453-2MA60-0AA2	5050	850	925	1545	1180	250	95	130	450	3160	2640	o.r.	
1SG7 453-2MA60-0AC2	4950	850	925	1545	1180	475	95	130	450	3160	2870	o.r.	
1SG7 453-2MA60-0CA2	5200	850	925	1545	1180	250	95	130	450	3160	2640	o.r.	
1SG7 453-2MA60-0CC2	5150	850	925	1545	1180	475	95	130	450	3160	2870	o.r.	
1SG7 454-2MA60-0AA2	5200	850	925	1545	1180	250	95	130	450	3160	2640	o.r.	
1SG7 454-2MA60-0AC2	5100	850	925	1545	1180	475	95	130	450	3160	2870	o.r.	
1SG7 454-2MA60-0CA2	5350	850	925	1545	1180	250	95	130	450	3160	2640	o.r.	
1SG7 454-2MA60-0CC2	5250	850	925	1545	1180	475	95	130	450	3160	2870	o.r.	
1SG7 457-2MA60-0AA2	5500	850	925	1545	1400	250	95	130	450	3160	2850	o.r.	
1SG7 457-2MA60-0AC2	5400	850	925	1545	1400	475	95	130	450	3160	3080	o.r.	
1SG7 457-2MA60-0CA2	5650	850	925	1545	1400	250	95	130	450	3160	2850	o.r.	
1SG7 457-2MA60-0CC2	5550	850	925	1545	1400	475	95	130	450	3160	3080	o.r.	
1SG7 458-2MA60-0AA2	5750	850	925	1545	1400	250	95	130	450	3160	2850	o.r.	
1SG7 458-2MA60-0AC2	5650	850	925	1545	1400	475	95	130	450	3160	3080	o.r.	
1SG7 458-2MA60-0CA2	5900	850	925	1545	1400	250	95	130	450	3160	2850	o.r.	
1SG7 458-2MA60-0CC2	5800	850	925	1545	1400	475	95	130	450	3160	3080	o.r.	
1SG7 503-2MA60-0AA2	6900	950	1005	1705	1320	250	110	165	500	3370	2920	o.r.	
1SG7 503-2MA60-0AC2	6850	950	1005	1705	1320	530	120	165	500	3370	3200	o.r.	
1SG7 503-2MA60-0CA2	7050	950	1005	1705	1320	250	110	165	500	3370	2920	o.r.	
1SG7 503-2MA60-0CC2	7000	950	1005	1705	1320	530	120	165	500	3370	3200	o.r.	
1SG7 504-2MA60-0AA2	6950	950	1005	1705	1320	250	110	165	500	3370	2920	o.r.	
1SG7 504-2MA60-0AC2	6900	950	1005	1705	1320	530	120	165	500	3370	3200	o.r.	



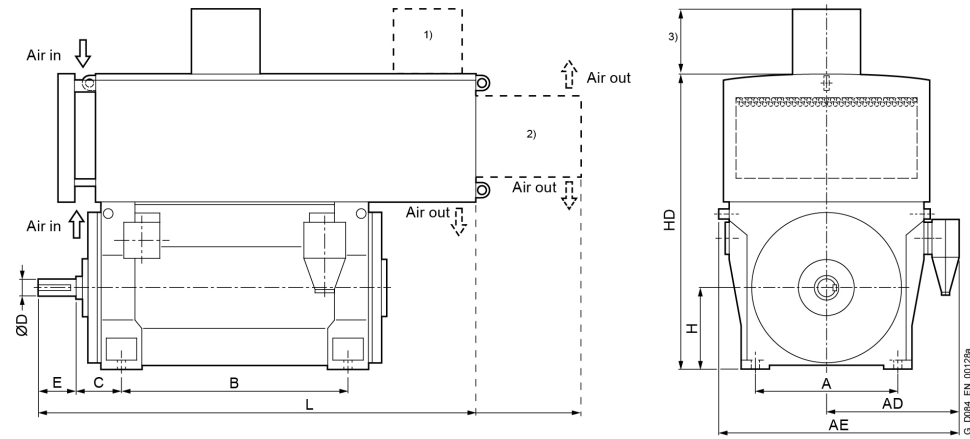
Motor type	Weight	Dimensions											
		A	AD	AE	B	C	D	E	H	HD	L	ML	
	kg	mm	mm	mm	mm	mm	mm	mm	mm	mm	mm	mm	mm
Innomotics HV M - 1SG. IC666 6000 V / 50 Hz B3 (IM 1001) - Dimension drawings													
1SG7 504-2MA60-OCA2	7100	950	1005	1705	1320	250	110	165	500	3370	2920	o.r.	
1SG7 504-2MA60-OCC2	7050	950	1005	1705	1320	530	120	165	500	3370	3200	o.r.	
1SG7 507-2MA60-OAA2	7700	950	1005	1705	1500	250	110	165	500	3370	3130	o.r.	
1SG7 507-2MA60-OAC2	7650	950	1005	1705	1500	530	120	165	500	3370	3410	o.r.	
1SG7 507-2MA60-OCA2	7850	950	1005	1705	1500	250	110	165	500	3370	3130	o.r.	
1SG7 507-2MA60-OCC2	7800	950	1005	1705	1500	530	120	165	500	3370	3410	o.r.	
1SG7 508-2MA60-OAA2	8050	950	1005	1705	1500	250	110	165	500	3370	3130	o.r.	
1SG7 508-2MA60-OAC2	7950	950	1005	1705	1500	530	120	165	500	3370	3410	o.r.	
1SG7 508-2MA60-OCA2	8200	950	1005	1705	1500	250	110	165	500	3370	3130	o.r.	
1SG7 508-2MA60-OCC2	8150	950	1005	1705	1500	530	120	165	500	3370	3410	o.r.	
1SG7 562-2MA60-OCC2	8700	1060	1290	2060	1400	600	150	200	560	3650	3440	o.r.	
1SG7 563-2MA60-OCC2	9000	1060	1290	2060	1400	600	150	200	560	3650	3440	o.r.	
1SG7 564-2MA60-OCC2	9200	1060	1290	2060	1400	600	150	200	560	3650	3440	o.r.	
1SG7 567-2MA60-OCC2	10100	1060	1290	2060	1600	600	150	200	560	3650	3670	o.r.	
1SG7 568-2MA60-OCC2	10750	1060	1290	2060	1600	600	150	200	560	3650	3670	o.r.	
1SG8 633-2MA60-0CJ0	11300	1320	1520	2520	1600	560	160	240	630	3210	4060	o.r.	
1SG8 634-2MA60-0CJ0	11850	1320	1520	2520	1600	560	160	240	630	3210	4060	o.r.	
1SG8 637-2MA60-0CJ0	12800	1320	1520	2520	1800	560	160	240	630	3210	4260	o.r.	
1SG8 638-2MA60-0CJ0	13350	1320	1520	2520	1800	560	160	240	630	3210	4260	o.r.	
1SG8 712-2MA60-0CJ0	14700	1500	1620	2720	2000	560	180	240	710	4240	4070	o.r.	
1SG8 713-2MA60-0CJ0	15300	1500	1620	2720	2000	560	180	240	710	4240	4070	o.r.	
1SG8 714-2MA60-0CJ0	15900	1500	1620	2720	2000	560	180	240	710	4240	4070	o.r.	
1SG8 716-2MA60-0CJ0	17100	1500	1620	2720	2240	560	180	240	710	4240	4310	o.r.	



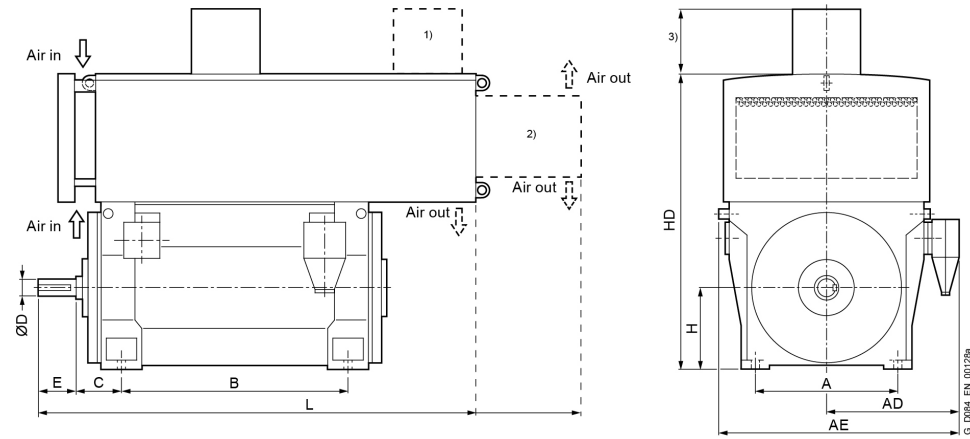
Motor type	Weight	Dimensions													
		A	AD	AE	B	C	D	E	H	HD	L	ML			
	kg	mm	mm	mm	mm	mm	mm	mm	mm	mm	mm	mm	mm	mm	
Innomotics HV M - 1SG. IC666 6000 V / 50 Hz B3 (IM 1001) - Dimension drawings															
1SG8 717-2MA60-0CJ0	18000	1500	1620	2720	2240	560	180	240	710	4240	4310	o.r.			
1SG8 718-2MA60-0CJ0	19000	1500	1620	2720	2240	560	180	240	710	4240	4310	o.r.			
4-pole															
1SG7 453-4MA60-0AA2	5050	850	925	1545	1180	250	130	200	450	3160	2710	o.r.			
1SG7 453-4MA60-0AC2	5100	850	925	1545	1180	500	130	200	450	3160	2960	o.r.			
1SG7 453-4MA60-0CA2	5200	850	925	1545	1180	250	130	200	450	3160	2710	o.r.			
1SG7 453-4MA60-0CC2	5250	850	925	1545	1180	500	130	200	450	3160	2960	o.r.			
1SG7 454-4MA60-0AA0	5200	850	925	1545	1180	250	130	200	450	3160	2710	o.r.			
1SG7 454-4MA60-0AC0	5200	850	925	1545	1180	500	130	200	450	3160	2960	o.r.			
1SG7 454-4MA60-0CA2	5400	850	925	1545	1180	250	130	200	450	3160	2710	o.r.			
1SG7 454-4MA60-0CC2	5450	850	925	1545	1180	500	130	200	450	3160	2960	o.r.			
1SG7 457-4MA60-0CA2	6000	850	925	1545	1400	250	130	200	450	3160	2920	o.r.			
1SG7 457-4MA60-0CC2	6050	850	925	1545	1400	500	130	200	450	3160	3170	o.r.			
1SG7 457-4MA60-0AA2	5800	850	925	1545	1400	250	130	200	450	3160	2920	o.r.			
1SG7 457-4MA60-0AC2	5850	850	925	1545	1400	500	130	200	450	3160	3170	o.r.			
1SG7 458-4MA60-0CA2	6250	850	925	1545	1400	250	130	200	450	3160	2920	o.r.			
1SG7 458-4MA60-0CC2	6250	850	925	1545	1400	500	130	200	450	3160	3170	o.r.			
1SG7 458-4MA60-0AA2	6050	850	925	1545	1400	250	130	200	450	3160	2920	o.r.			
1SG7 458-4MA60-0AC2	6050	850	925	1545	1400	500	130	200	450	3160	3170	o.r.			
1SG7 503-4MA60-0CA2	7300	950	1005	1705	1320	315	160	240	500	3370	3060	o.r.			
1SG7 503-4MA60-0CC2	7350	950	1005	1705	1320	560	170	240	500	3370	3300	o.r.			
1SG7 503-4MA60-0AA2	7150	950	1005	1705	1320	315	160	240	500	3370	3060	o.r.			
1SG7 503-4MA60-0AC2	7200	950	1005	1705	1320	560	170	240	500	3370	3300	o.r.			



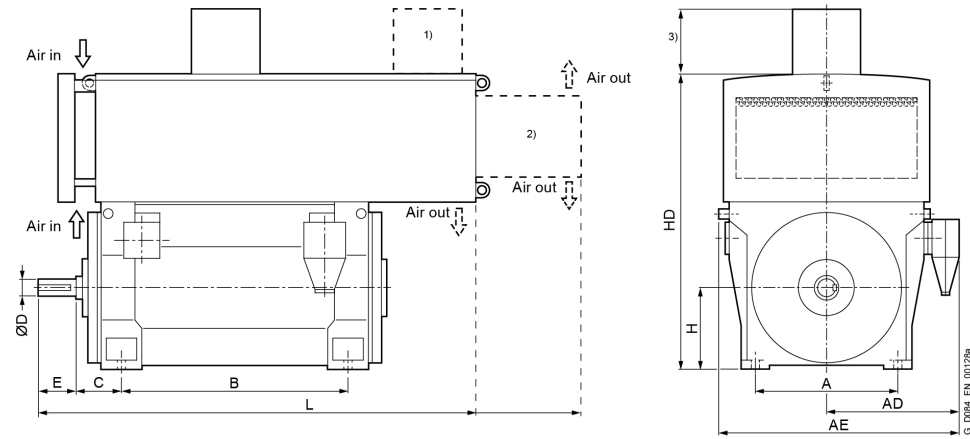
Motor type	Weight	Dimensions										
		A	AD	AE	B	C	D	E	H	HD	L	ML
	kg	mm	mm	mm	mm	mm	mm	mm	mm	mm	mm	mm
Innomotics HV M - 1SG. IC666 6000 V / 50 Hz B3 (IM 1001) - Dimension drawings												
1SG7 504-4MA60-OCA2	7550	950	1005	1705	1320	315	160	240	500	3370	3060	o.r.
1SG7 504-4MA60-OCC2	7650	950	1005	1705	1320	560	170	240	500	3370	3300	o.r.
1SG7 504-4MA60-OAA2	7400	950	1005	1705	1320	315	160	240	500	3370	3060	o.r.
1SG7 504-4MA60-OAC2	7450	950	1005	1705	1320	560	170	240	500	3370	3300	o.r.
1SG7 507-4MA60-OCA2	8300	950	1005	1705	1500	315	160	240	500	3370	3270	o.r.
1SG7 507-4MA60-OCC2	8400	950	1005	1705	1500	560	170	240	500	3370	3510	o.r.
1SG7 507-4MA60-OAA2	8100	950	1005	1705	1500	315	160	240	500	3370	3270	o.r.
1SG7 507-4MA60-OAC2	8150	950	1005	1705	1500	560	170	240	500	3370	3510	o.r.
1SG7 508-4MA60-OCA2	8650	950	1005	1705	1500	315	160	240	500	3370	3270	o.r.
1SG7 508-4MA60-OCC2	8750	950	1005	1705	1500	560	170	240	500	3370	3510	o.r.
1SG7 508-4MA60-OAA2	8450	950	1005	1705	1500	315	160	240	500	3370	3270	o.r.
1SG7 508-4MA60-OAC2	8550	950	1005	1705	1500	560	170	240	500	3370	3510	o.r.
1SG7 563-4MA60-OCA2	9050	1060	1290	2060	1400	335	190	280	560	3650	3250	o.r.
1SG7 563-4MA60-OCC2	9100	1060	1290	2060	1400	600	190	280	560	3650	3520	o.r.
1SG7 564-4MA60-OCA2	9500	1060	1290	2060	1400	335	190	280	560	3650	3250	o.r.
1SG7 564-4MA60-OCC2	9550	1060	1290	2060	1400	600	190	280	560	3650	3520	o.r.
1SG7 566-4MA60-OCA2	10350	1060	1290	2060	1600	335	190	280	560	3650	3480	o.r.
1SG7 566-4MA60-OCC2	10400	1060	1290	2060	1600	600	190	280	560	3650	3750	o.r.
1SG7 567-4MA60-OCA2	10850	1060	1290	2060	1600	335	190	280	560	3650	3480	o.r.
1SG7 567-4MA60-OCC2	10950	1060	1290	2060	1600	600	190	280	560	3650	3750	o.r.
1SG7 568-4MA60-OCA2	11300	1060	1290	2060	1600	335	190	280	560	3650	3480	o.r.
1SG7 568-4MA60-OCC2	11350	1060	1290	2060	1600	600	190	280	560	3650	3750	o.r.
1SG8 633-4MA60-OCG0	12050	1320	1520	2520	1600	375	200	280	630	3210	3920	o.r.



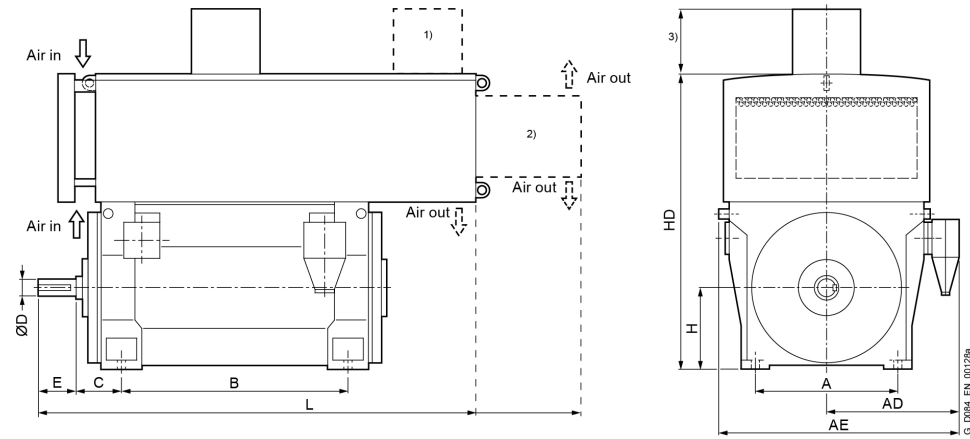
Motor type	Weight kg	Dimensions										
		A mm	AD mm	AE mm	B mm	C mm	D mm	E mm	H mm	HD mm	L mm	ML mm
Innomotics HV M - 1SG. IC666 6000 V / 50 Hz B3 (IM 1001) - Dimension drawings												
1SG8 633-4MA60-0CJ0	12150	1320	1520	2520	1600	630	200	280	630	3210	4170	o.r.
1SG8 634-4MA60-0CG0	12450	1320	1520	2520	1600	375	200	280	630	3210	3920	o.r.
1SG8 634-4MA60-0CJ0	12550	1320	1520	2520	1600	630	200	280	630	3210	4170	o.r.
1SG8 637-4MA60-0CG0	13400	1320	1520	2520	1800	375	200	280	630	3210	4120	o.r.
1SG8 637-4MA60-0CJ0	13500	1320	1520	2520	1800	630	200	280	630	3210	4370	o.r.
1SG8 638-4MA60-0CG0	14100	1320	1520	2520	1800	375	200	280	630	3210	4120	o.r.
1SG8 638-4MA60-0CJ0	14200	1320	1520	2520	1800	630	200	280	630	3210	4370	o.r.
1SG8 712-4MA60-0CG0	15850	1500	1620	2720	2000	375	220	280	710	4240	3920	o.r.
1SG8 712-4MA60-0CJ0	16000	1500	1620	2720	2000	630	220	280	710	4240	4180	o.r.
1SG8 713-4MA60-0CG0	16500	1500	1620	2720	2000	375	220	280	710	4240	3920	o.r.
1SG8 713-4MA60-0CJ0	16650	1500	1620	2720	2000	630	220	280	710	4240	4180	o.r.
1SG8 714-4MA60-0CG0	17350	1500	1620	2720	2000	375	220	280	710	4240	3920	o.r.
1SG8 714-4MA60-0CJ0	17450	1500	1620	2720	2000	630	220	280	710	4240	4180	o.r.
1SG8 717-4MA60-0CG0	18650	1500	1620	2720	2240	375	220	280	710	4240	4160	o.r.
1SG8 717-4MA60-0CJ0	18800	1500	1620	2720	2240	630	220	280	710	4240	4420	o.r.
1SG8 718-4MA60-0CG0	19250	1500	1620	2720	2240	375	220	280	710	4240	4160	o.r.
1SG8 718-4MA60-0CJ0	19400	1500	1620	2720	2240	630	220	280	710	4240	4420	o.r.
6-pole												
1SG7 453-6MA60-0AA2	5050	850	925	1545	1180	250	130	200	450	3160	2710	o.r.
1SG7 453-6MA60-0AC2	5100	850	925	1545	1180	500	130	200	450	3160	2960	o.r.
1SG7 453-6MA60-0CA0	5200	850	925	1545	1180	250	130	200	450	3160	2710	o.r.
1SG7 453-6MA60-0CC0	5250	850	925	1545	1180	500	130	200	450	3160	2960	o.r.
1SG7 454-6MA60-0CA2	5400	850	925	1545	1180	250	130	200	450	3160	2710	o.r.



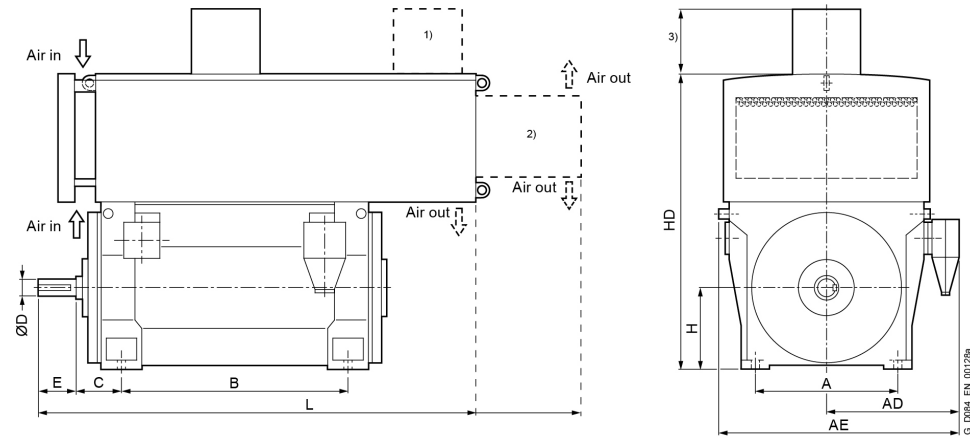
Motor type	Weight	Dimensions										
		A	AD	AE	B	C	D	E	H	HD	L	ML
	kg	mm	mm	mm	mm	mm	mm	mm	mm	mm	mm	mm
Innomotics HV M - 1SG. IC666 6000 V / 50 Hz B3 (IM 1001) - Dimension drawings												
1SG7 454-6MA60-0CC2	5450	850	925	1545	1180	500	130	200	450	3160	2960	o.r.
1SG7 454-6MA60-0AA2	5200	850	925	1545	1180	250	130	200	450	3160	2710	o.r.
1SG7 454-6MA60-0AC2	5250	850	925	1545	1180	500	130	200	450	3160	2960	o.r.
1SG7 457-6MA60-0AA0	5700	850	925	1545	1400	250	130	200	450	3160	2920	o.r.
1SG7 457-6MA60-0AC0	5750	850	925	1545	1400	500	130	200	450	3160	3170	o.r.
1SG7 457-6MA60-0CA0	5900	850	925	1545	1400	250	130	200	450	3160	2920	o.r.
1SG7 457-6MA60-0CC0	5900	850	925	1545	1400	500	130	200	450	3160	3170	o.r.
1SG7 458-6MA60-0AA2	6000	850	925	1545	1400	250	130	200	450	3160	2920	o.r.
1SG7 458-6MA60-0AC2	6000	850	925	1545	1400	500	130	200	450	3160	3170	o.r.
1SG7 458-6MA60-0CA2	6200	850	925	1545	1400	250	130	200	450	3160	2920	o.r.
1SG7 458-6MA60-0CC2	6200	850	925	1545	1400	500	130	200	450	3160	3170	o.r.
1SG7 503-6MA60-0CA2	7350	950	1005	1705	1320	315	160	240	500	3370	3060	o.r.
1SG7 503-6MA60-0CC2	7450	950	1005	1705	1320	560	170	240	500	3370	3300	o.r.
1SG7 503-6MA60-0AA2	7200	950	1005	1705	1320	315	160	240	500	3370	3060	o.r.
1SG7 503-6MA60-0AC2	7250	950	1005	1705	1320	560	170	240	500	3370	3300	o.r.
1SG7 504-6MA60-0AA2	7400	950	1005	1705	1320	315	160	240	500	3370	3060	o.r.
1SG7 504-6MA60-0AC2	7500	950	1005	1705	1320	560	170	240	500	3370	3300	o.r.
1SG7 504-6MA60-0CA2	7650	950	1005	1705	1320	315	160	240	500	3370	3060	o.r.
1SG7 504-6MA60-0CC2	7700	950	1005	1705	1320	560	170	240	500	3370	3300	o.r.
1SG7 507-6MA60-0CA2	8400	950	1005	1705	1500	315	160	240	500	3370	3270	o.r.
1SG7 507-6MA60-0CC2	8450	950	1005	1705	1500	560	170	240	500	3370	3510	o.r.
1SG7 507-6MA60-0AA2	8150	950	1005	1705	1500	315	160	240	500	3370	3270	o.r.
1SG7 507-6MA60-0AC2	8200	950	1005	1705	1500	560	170	240	500	3370	3510	o.r.



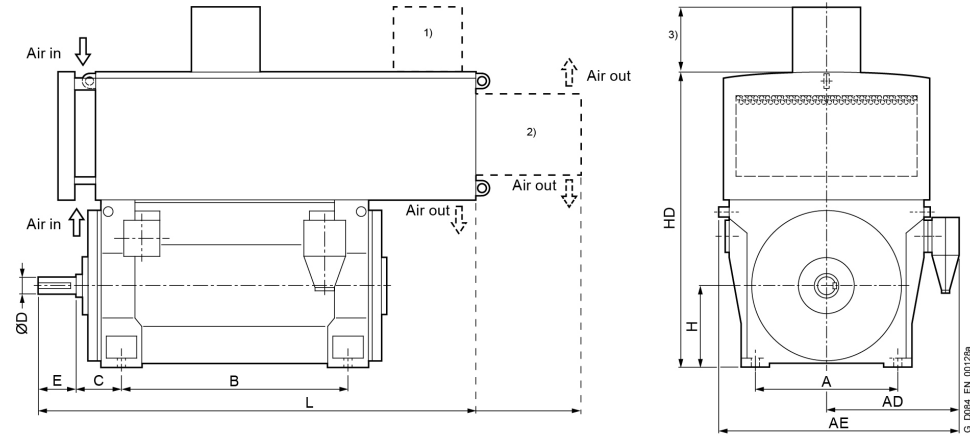
Motor type	Weight	Dimensions										
		A	AD	AE	B	C	D	E	H	HD	L	ML
	kg	mm	mm	mm	mm	mm	mm	mm	mm	mm	mm	mm
Innomotics HV M - 1SG. IC666 6000 V / 50 Hz B3 (IM 1001) - Dimension drawings												
1SG7 508-6MA60-OCA2	8750	950	1005	1705	1500	315	160	240	500	3370	3270	o.r.
1SG7 508-6MA60-OCC2	8800	950	1005	1705	1500	560	170	240	500	3370	3510	o.r.
1SG7 508-6MA60-OAA2	8500	950	1005	1705	1500	315	160	240	500	3370	3270	o.r.
1SG7 508-6MA60-OAC2	8550	950	1005	1705	1500	560	170	240	500	3370	3510	o.r.
1SG7 561-6MA60-OCA2	9100	1060	1290	2060	1400	335	190	280	560	3650	3250	o.r.
1SG7 561-6MA60-OCC2	9150	1060	1290	2060	1400	600	190	280	560	3650	3520	o.r.
1SG7 562-6MA60-OCA2	9400	1060	1290	2060	1400	335	190	280	560	3650	3250	o.r.
1SG7 562-6MA60-OCC2	9500	1060	1290	2060	1400	600	190	280	560	3650	3520	o.r.
1SG7 563-6MA60-OCA2	9700	1060	1290	2060	1400	335	190	280	560	3650	3250	o.r.
1SG7 563-6MA60-OCC2	9800	1060	1290	2060	1400	600	190	280	560	3650	3520	o.r.
1SG7 564-6MA60-OCA2	10100	1060	1290	2060	1400	335	190	280	560	3650	3250	o.r.
1SG7 564-6MA60-OCC2	10150	1060	1290	2060	1400	600	190	280	560	3650	3520	o.r.
1SG7 567-6MA60-OCA2	10900	1060	1290	2060	1600	335	190	280	560	3650	3480	o.r.
1SG7 567-6MA60-OCC2	11000	1060	1290	2060	1600	600	190	280	560	3650	3750	o.r.
1SG7 568-6MA60-OCA2	11550	1060	1290	2060	1600	335	190	280	560	3650	3480	o.r.
1SG7 568-6MA60-OCC2	11650	1060	1290	2060	1600	600	190	280	560	3650	3750	o.r.
1SG8 632-6MA60-OCG0	11950	1320	1520	2520	1600	375	200	280	630	3210	3920	o.r.
1SG8 632-6MA60-OCJ0	12050	1320	1520	2520	1600	630	200	280	630	3210	4170	o.r.
1SG8 633-6MA60-OCG0	12350	1320	1520	2520	1600	375	200	280	630	3210	3920	o.r.
1SG8 633-6MA60-OCJ0	12450	1320	1520	2520	1600	630	200	280	630	3210	4170	o.r.
1SG8 634-6MA60-OCG0	12900	1320	1520	2520	1600	375	200	280	630	3210	3920	o.r.
1SG8 634-6MA60-OCJ0	13000	1320	1520	2520	1600	630	200	280	630	3210	4170	o.r.
1SG8 637-6MA60-OCG0	13700	1320	1520	2520	1800	375	200	280	630	3210	4120	o.r.



Motor type	Weight	Dimensions										
		A	AD	AE	B	C	D	E	H	HD	L	ML
	kg	mm	mm	mm	mm	mm	mm	mm	mm	mm	mm	mm
Innomotics HV M - 1SG. IC666 6000 V / 50 Hz B3 (IM 1001) - Dimension drawings												
1SG8 637-6MA60-0CJ0	13800	1320	1520	2520	1800	630	200	280	630	3210	4370	o.r.
1SG8 638-6MA60-0CG0	14250	1320	1520	2520	1800	375	200	280	630	3210	4120	o.r.
1SG8 638-6MA60-0CJ0	14350	1320	1520	2520	1800	630	200	280	630	3210	4370	o.r.
1SG8 712-6MA60-0CG0	15700	1500	1620	2720	2000	375	220	280	710	4240	3920	o.r.
1SG8 712-6MA60-0CJ0	15850	1500	1620	2720	2000	630	220	280	710	4240	4180	o.r.
1SG8 713-6MA60-0CG0	16650	1500	1620	2720	2000	375	220	280	710	4240	3920	o.r.
1SG8 713-6MA60-0CJ0	16800	1500	1620	2720	2000	630	220	280	710	4240	4180	o.r.
1SG8 714-6MA60-0CG0	17700	1500	1620	2720	2000	375	220	280	710	4240	3920	o.r.
1SG8 714-6MA60-0CJ0	17800	1500	1620	2720	2000	630	220	280	710	4240	4180	o.r.
1SG8 717-6MA60-0CG0	19350	1500	1620	2720	2240	375	220	280	710	4240	4160	o.r.
1SG8 717-6MA60-0CJ0	19500	1500	1620	2720	2240	630	220	280	710	4240	4420	o.r.
1SG8 718-6MA60-0CG0	20400	1500	1620	2720	2240	375	220	280	710	4240	4160	o.r.
1SG8 718-6MA60-0CJ0	20550	1500	1620	2720	2240	630	220	280	710	4240	4420	o.r.
8-pole												
1SG7 452-8MA60-0AA0	5050	850	925	1545	1180	250	130	200	450	3160	2710	o.r.
1SG7 452-8MA60-0AC0	5100	850	925	1545	1180	500	130	200	450	3160	2960	o.r.
1SG7 453-8MA60-0AA0	5250	850	925	1545	1180	250	130	200	450	3160	2710	o.r.
1SG7 453-8MA60-0AC0	5300	850	925	1545	1180	500	130	200	450	3160	2960	o.r.
1SG7 454-8MA60-0AA2	5500	850	925	1545	1180	250	130	200	450	3160	2710	o.r.
1SG7 454-8MA60-0AC2	5500	850	925	1545	1180	500	130	200	450	3160	2960	o.r.
1SG7 457-8MA60-0AA2	6000	850	925	1545	1400	250	130	200	450	3160	2920	o.r.
1SG7 457-8MA60-0AC2	6000	850	925	1545	1400	500	130	200	450	3160	3170	o.r.
1SG7 458-8MA60-0AA2	6250	850	925	1545	1400	250	130	200	450	3160	2920	o.r.



Motor type	Weight	Dimensions										
		A	AD	AE	B	C	D	E	H	HD	L	ML
	kg	mm	mm	mm	mm	mm	mm	mm	mm	mm	mm	mm
Innomotics HV M - 1SG. IC666 6000 V / 50 Hz B3 (IM 1001) - Dimension drawings												
1SG7 458-8MA60-0AC2	6250	850	925	1545	1400	500	130	200	450	3160	3170	o.r.
1SG7 502-8MA60-0AA2	6900	950	1005	1705	1320	315	160	240	500	3370	3060	o.r.
1SG7 502-8MA60-0AC2	6950	950	1005	1705	1320	560	170	240	500	3370	3300	o.r.
1SG7 503-8MA60-0AA2	7150	950	1005	1705	1320	315	160	240	500	3370	3060	o.r.
1SG7 503-8MA60-0AC2	7200	950	1005	1705	1320	560	170	240	500	3370	3300	o.r.
1SG7 503-8MA60-0CA2	7400	950	1005	1705	1320	315	160	240	500	3370	3060	o.r.
1SG7 503-8MA60-0CC2	7450	950	1005	1705	1320	560	170	240	500	3370	3300	o.r.
1SG7 504-8MA60-0AA2	7450	950	1005	1705	1320	315	160	240	500	3370	3060	o.r.
1SG7 504-8MA60-0AC2	7500	950	1005	1705	1320	560	170	240	500	3370	3300	o.r.
1SG7 504-8MA60-0CA2	7700	950	1005	1705	1320	315	160	240	500	3370	3060	o.r.
1SG7 504-8MA60-0CC2	7750	950	1005	1705	1320	560	170	240	500	3370	3300	o.r.
1SG7 507-8MA60-0AA2	8150	950	1005	1705	1500	315	160	240	500	3370	3270	o.r.
1SG7 507-8MA60-0AC2	8200	950	1005	1705	1500	560	170	240	500	3370	3510	o.r.
1SG7 507-8MA60-0CA2	8400	950	1005	1705	1500	315	160	240	500	3370	3270	o.r.
1SG7 507-8MA60-0CC2	8450	950	1005	1705	1500	560	170	240	500	3370	3510	o.r.
1SG7 508-8MA60-0AA2	8500	950	1005	1705	1500	315	160	240	500	3370	3270	o.r.
1SG7 508-8MA60-0AC2	8550	950	1005	1705	1500	560	170	240	500	3370	3510	o.r.
1SG7 508-8MA60-0CA2	8800	950	1005	1705	1500	315	160	240	500	3370	3270	o.r.
1SG7 508-8MA60-0CC2	8850	950	1005	1705	1500	560	170	240	500	3370	3510	o.r.
1SG7 563-8MA60-0CA2	9400	1060	1075	1845	1400	335	190	280	560	3650	3250	o.r.
1SG7 563-8MA60-0CC2	9500	1060	1075	1845	1400	600	190	280	560	3650	3520	o.r.
1SG7 564-8MA60-0CA2	9850	1060	1075	1845	1400	335	190	280	560	3650	3250	o.r.
1SG7 564-8MA60-0CC2	9950	1060	1075	1845	1400	600	190	280	560	3650	3520	o.r.



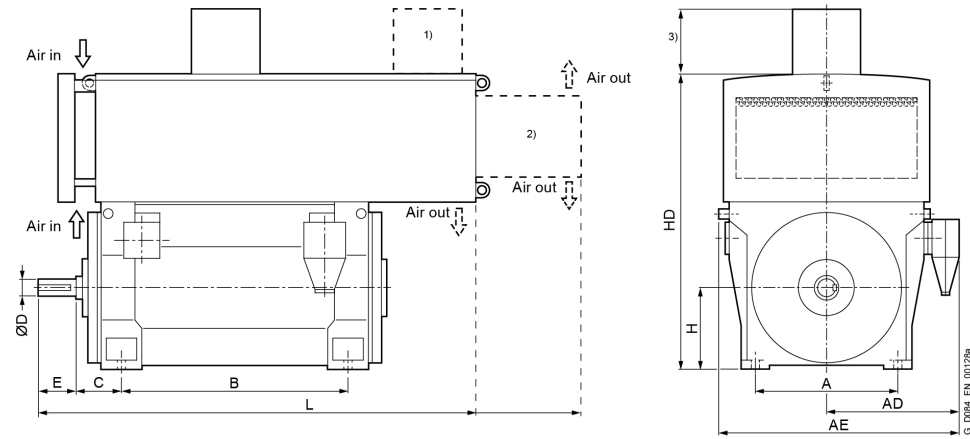
Motor type	Weight	Dimensions										
		A	AD	AE	B	C	D	E	H	HD	L	ML
	kg	mm	mm	mm	mm	mm	mm	mm	mm	mm	mm	mm
Innomotics HV M - 1SG. IC666 6000 V / 50 Hz B3 (IM 1001) - Dimension drawings												
1SG7 567-8MA60-OCA2	10750	1060	1075	1845	1600	335	190	280	560	3650	3480	o.r.
1SG7 567-8MA60-OCC2	10800	1060	1075	1845	1600	600	190	280	560	3650	3750	o.r.
1SG7 568-8MA60-OCA2	11300	1060	1075	1845	1600	335	190	280	560	3650	3480	o.r.
1SG7 568-8MA60-OCC2	11350	1060	1075	1845	1600	600	190	280	560	3650	3750	o.r.
1SG8 633-8MA60-OCG0	11100	1320	1520	2520	1600	375	200	280	630	3210	3920	o.r.
1SG8 633-8MA60-OCJ0	11200	1320	1520	2520	1600	630	200	280	630	3210	4170	o.r.
1SG8 634-8MA60-OCG0	11900	1320	1520	2520	1600	375	200	280	630	3210	3920	o.r.
1SG8 634-8MA60-OCJ0	12000	1320	1520	2520	1600	630	200	280	630	3210	4170	o.r.
1SG8 637-8MA60-OCG0	13150	1320	1520	2520	1800	375	200	280	630	3210	4120	o.r.
1SG8 637-8MA60-OCJ0	13250	1320	1520	2520	1800	630	200	280	630	3210	4370	o.r.
1SG8 638-8MA60-OCG0	13900	1320	1520	2520	1800	375	200	280	630	3210	4120	o.r.
1SG8 638-8MA60-OCJ0	14000	1320	1520	2520	1800	630	200	280	630	3210	4370	o.r.
1SG8 712-8MA60-OCG0	15100	1500	1620	2720	2000	375	220	280	710	4150	3920	o.r.
1SG8 712-8MA60-OCJ0	15250	1500	1620	2720	2000	630	220	280	710	4150	4180	o.r.
1SG8 713-8MA60-OCG0	15800	1500	1620	2720	2000	375	220	280	710	4150	3920	o.r.
1SG8 713-8MA60-OCJ0	16000	1500	1620	2720	2000	630	220	280	710	4150	4180	o.r.
1SG8 714-8MA60-OCG0	16950	1500	1620	2720	2000	375	220	280	710	4150	3920	o.r.
1SG8 714-8MA60-OCJ0	17150	1500	1620	2720	2000	630	220	280	710	4150	4180	o.r.
1SG8 717-8MA60-OCG0	18700	1500	1620	2720	2240	375	220	280	710	4150	4160	o.r.
1SG8 717-8MA60-OCJ0	18900	1500	1620	2720	2240	630	220	280	710	4150	4420	o.r.
1SG8 718-8MA60-OCG0	19750	1500	1620	2720	2240	375	220	280	710	4150	4160	o.r.
1SG8 718-8MA60-OCJ0	19950	1500	1620	2720	2240	630	220	280	710	4150	4420	o.r.

Innomotics HV M - 1SG. IC666 6600 V / 60 Hz B3 (IM 1001)																		
Rated power IEC	Article No.	Speed	Rated current I_R	Efficiency				Power factor				Torque T_R	Breakdown torque T_B/ T_R	Locked torque T_{LR}/ T_R	Locked rotor current I_{LR}/ I_R	Inertia		
				5/4 load	4/4 load	3/4 load	2/4 load	5/4 load	4/4 load	3/4 load	2/4 load					motor	external	Startup max T/TR
kW		rpm	A	%	%	%	%	cos φ	cos φ	cos φ	cos φ	Nm	[-]	[-]	[-]	kgm ²	kgm ²	[-]
2-pole: $n_{sync} = 3600$ rpm at 60 Hz																		
1600	1SG7 453-2MA10-0A.0	3578	168	95.5	95.8	95.5	94.3	0.86	0.87	0.84	0.78	4270	2.45	0.50	5.9	10	20	o.r.
1600	1SG7 453-2MA10-0C.0	3579	164	95.5	95.8	95.4	94.3	0.88	0.89	0.88	0.84	4269	2.50	0.60	5.8	14	95	o.r.
1750	1SG7 454-2MA10-0A.0	3578	182	95.6	96.0	95.8	94.9	0.87	0.88	0.87	0.83	4671	2.45	0.55	5.9	11	20	o.r.
1740	1SG7 454-2MA10-0C.0	3579	176	95.6	95.9	95.6	94.5	0.89	0.90	0.89	0.86	4643	2.65	0.65	6.0	15	95	o.r.
1950	1SG7 457-2MA10-0A.0	3580	200	95.8	96.1	95.8	94.8	0.87	0.88	0.85	0.79	5201	2.65	0.55	6.0	12	25	o.r.
1950	1SG7 457-2MA10-0C.0	3580	198	95.8	96.1	95.8	94.7	0.89	0.90	0.89	0.86	5201	2.65	0.65	6.0	16	100	o.r.
2100	1SG7 458-2MA10-0A.0	3580	210	96.0	96.3	96.1	95.2	0.89	0.90	0.88	0.84	5602	2.80	0.65	6.2	13	25	o.r.
2100	1SG7 458-2MA10-0C.0	3580	210	95.9	96.3	96.1	95.2	0.90	0.91	0.91	0.88	5602	2.80	0.70	6.0	17	105	o.r.
2300	1SG7 502-2MA10-0C.0	3576	240	95.8	96.0	95.9	95.2	0.87	0.88	0.87	0.82	6142	2.35	0.65	4.6	18	70	o.r.
2500	1SG7 503-2MA10-0C.0	3579	255	96.1	96.3	96.2	95.4	0.88	0.89	0.88	0.83	6670	2.70	0.70	5.3	20	74	o.r.
2600	1SG7 504-2MA10-0C.0	3580	265	96.2	96.3	96.2	95.4	0.88	0.89	0.88	0.81	6935	2.80	0.80	5.5	21	76	o.r.
2900	1SG7 507-2MA10-0C.0	3581	290	96.4	96.6	96.5	95.8	0.90	0.90	0.89	0.85	7733	2.85	0.80	5.8	24	82	o.r.
3100	1SG7 508-2MA10-0C.0	3582	310	96.6	96.8	96.7	96.1	0.91	0.91	0.91	0.87	8264	2.85	0.65	5.8	27	92	o.r.
3670	1SG7 562-2MA10-0CC0	3584	375	96.0	96.1	95.7	94.7	0.87	0.89	0.88	0.84	9778	2.45	0.60	5.7	41	175	o.r.
3810	1SG7 563-2MA10-0CC0	3585	385	96.1	96.2	95.9	94.9	0.89	0.90	0.89	0.86	10149	2.70	0.70	6.1	44	185	o.r.
4580	1SG7 564-2MA10-0CC0	3584	470	95.9	96.0	95.6	94.5	0.88	0.89	0.88	0.85	12203	2.50	0.60	5.7	47	175	o.r.
4840	1SG7 567-2MA10-0CC0	3585	490	96.1	96.2	95.8	94.7	0.90	0.90	0.90	0.86	12892	2.80	0.65	6.0	52	185	o.r.
5080	1SG7 568-2MA10-0CC0	3588	510	96.3	96.3	95.8	94.6	0.90	0.90	0.88	0.84	13520	3.20	0.75	6.8	58	210	o.r.
5650	1SG8 632-2MA10-0CJ0	3581	580	95.9	96.1	95.5	94.0	0.86	0.89	0.89	0.88	15067	2.00	0.50	4.9	75	150	o.r.
6150	1SG8 633-2MA10-0CJ0	3581	630	96.1	96.3	95.8	94.4	0.87	0.89	0.90	0.89	16400	2.00	0.50	4.9	82	150	o.r.
6650	1SG8 634-2MA10-0CJ0	3583	670	96.4	96.5	96.0	94.7	0.88	0.90	0.91	0.90	17723	2.15	0.55	5.2	90	150	o.r.
7400	1SG8 637-2MA10-0CJ0	3583	740	96.6	96.7	96.2	95.0	0.89	0.91	0.92	0.90	19722	2.30	0.60	5.5	99	150	o.r.
7900	1SG8 638-2MA10-0CJ0	3586	780	96.8	96.9	96.4	95.1	0.91	0.92	0.92	0.90	21037	2.55	0.65	6.0	107	160	o.r.
8700	1SG8 712-2MA10-0CJ0	3588	880	96.4	96.3	95.6	94.1	0.88	0.90	0.89	0.87	23155	2.15	0.55	5.2	149	90	o.r.
9150	1SG8 713-2MA10-0CJ0	3586	920	96.5	96.4	95.9	94.5	0.87	0.90	0.90	0.90	24366	2.00	0.50	4.8	160	80	o.r.
9900	1SG8 714-2MA10-0CJ0	3588	990	96.7	96.6	96.0	94.7	0.90	0.91	0.91	0.89	26348	2.35	0.60	5.6	173	70	o.r.
10500	1SG8 716-2MA10-0CJ0	3590	1040	96.8	96.6	95.9	94.4	0.90	0.91	0.89	0.85	27930	2.55	0.60	6.2	184	100	o.r.
11250	1SG8 717-2MA10-0CJ0	3589	1120	97.0	96.8	96.3	95.0	0.90	0.91	0.91	0.89	29933	2.30	0.50	5.6	199	100	o.r.
4-pole: $n_{sync} = 1800$ rpm at 60 Hz																		
1600	1SG7 453-4MA10-0A.0	1783	168	95.2	95.7	95.7	95.1	0.87	0.87	0.84	0.77	8569	2.40	0.65	5.5	17	175	o.r.
1680	1SG7 453-4MA10-0C.0	1784	176	95.3	95.8	95.9	95.3	0.86	0.87	0.86	0.81	8993	2.20	0.45	5.0	23	285	o.r.
1830	1SG7 454-4MA10-0C.0	1786	192	95.6	96.0	96.0	95.3	0.86	0.87	0.83	0.75	9785	2.45	0.50	5.3	25	340	o.r.
1710	1SG7 454-4MA10-0A.0	1783	180	95.4	95.9	95.8	95.2	0.87	0.87	0.84	0.76	9158	2.55	0.70	6.0	19	215	o.r.
2100	1SG7 457-4MA10-0C.0	1787	215	95.9	96.3	96.3	95.7	0.88	0.89	0.86	0.80	11222	2.60	0.60	5.8	30	425	o.r.
2000	1SG7 457-4MA10-0A.0	1783	205	95.7	96.2	96.2	95.7	0.88	0.89	0.87	0.81	10711	2.55	0.70	6.0	22	240	o.r.
2250	1SG7 458-4MA10-0C.0	1788	230	96.1	96.5	96.4	95.8	0.88	0.89	0.85	0.78	12017	2.80	0.65	6.0	32	475	o.r.

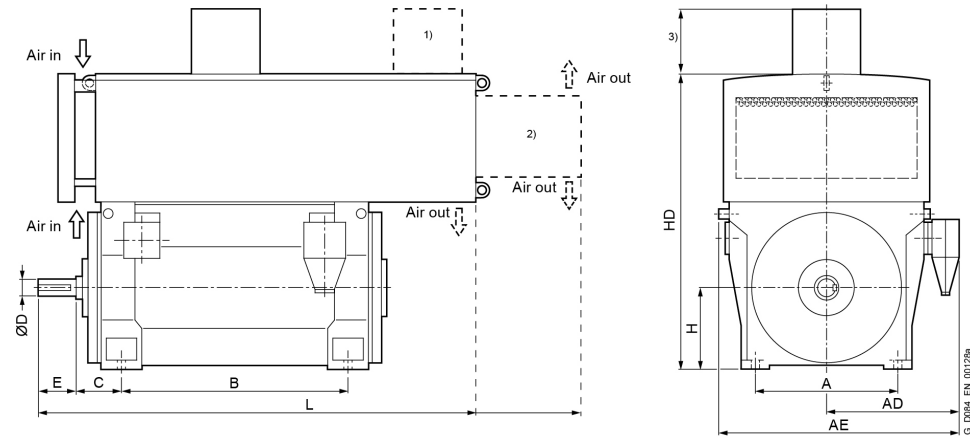
Innomotics HV M - 1SG. IC666 6600 V / 60 Hz B3 (IM 1001)																		
Rated power IEC	Article No.	Speed	Rated current I _R	Efficiency				Power factor				Torque T _R	Breakdown torque T _B / T _R	Locked rotor torque T _{LR} / T _R	Locked rotor current I _{LR} / I _R	Inertia		
				5/4 load	4/4 load	3/4 load	2/4 load	5/4 load	4/4 load	3/4 load	2/4 load					motor	external	Startup max T/TR
kW		rpm	A	%	%	%	%	cos φ	cos φ	cos φ	cos φ	Nm	[-]	[-]	[-]	kgm ²	kgm ²	[-]
2150	1SG7 458-4MA10-0A.0	1785	220	95.9	96.3	96.3	95.8	0.88	0.89	0.86	0.80	11502	2.70	0.75	6.0	24	270	o.r.
2600	1SG7 503-4MA10-0A.0	1786	270	96.1	96.4	96.5	95.8	0.87	0.88	0.86	0.80	13902	2.50	0.75	5.5	37	340	o.r.
2650	1SG7 503-4MA10-0C.0	1788	270	96.1	96.4	96.5	95.9	0.87	0.89	0.87	0.82	14153	2.45	0.55	5.0	45	355	o.r.
2850	1SG7 504-4MA10-0A.0	1787	295	96.3	96.5	96.6	95.9	0.88	0.88	0.85	0.79	15230	2.75	0.85	5.9	40	295	o.r.
2900	1SG7 504-4MA10-0C.0	1789	295	96.4	96.6	96.6	95.9	0.88	0.89	0.86	0.81	15480	2.50	0.55	5.2	50	485	o.r.
3150	1SG7 507-4MA10-0C.0	1788	315	96.5	96.8	96.8	96.3	0.90	0.90	0.89	0.86	16823	2.55	0.65	5.2	56	405	o.r.
3100	1SG7 507-4MA10-0A.0	1785	310	96.2	96.7	96.8	96.4	0.88	0.90	0.89	0.87	16584	2.45	0.80	5.3	46	255	o.r.
3350	1SG7 508-4MA10-0A.0	1786	335	96.4	96.8	96.9	96.5	0.89	0.90	0.89	0.86	17912	2.50	0.80	5.7	50	270	o.r.
3400	1SG7 508-4MA10-0C.0	1788	340	96.6	96.9	97.0	96.5	0.90	0.90	0.90	0.87	18159	2.45	0.60	5.2	62	545	o.r.
3800	1SG7 563-4MA10-0C.0	1790	385	96.6	96.9	97.0	96.6	0.88	0.89	0.88	0.85	20272	2.25	0.65	5.4	80	515	o.r.
4100	1SG7 564-4MA10-0C.0	1789	415	96.7	97.0	97.2	96.9	0.88	0.89	0.90	0.88	21885	2.05	0.55	4.9	90	595	o.r.
4750	1SG7 566-4MA10-0C.0	1791	475	97.0	97.2	97.3	97.0	0.89	0.90	0.89	0.87	25326	2.30	0.65	5.6	100	625	o.r.
5200	1SG7 567-4MA10-0C.0	1791	519	97.1	97.3	97.5	97.1	0.89	0.90	0.90	0.87	27725	2.30	0.60	5.5	109	695	o.r.
5700	1SG7 568-4MA10-0C.0	1791	569	97.2	97.4	97.5	97.2	0.89	0.90	0.89	0.86	30391	2.40	0.65	5.9	119	740	o.r.
6300	1SG8 633-4MA10-0C.0	1791	640	96.6	96.8	96.5	95.6	0.88	0.89	0.88	0.84	33590	2.45	0.55	5.8	151	380	o.r.
7100	1SG8 634-4MA10-0C.0	1791	720	96.8	96.9	96.7	95.9	0.88	0.89	0.88	0.84	37856	2.45	0.55	5.8	166	400	o.r.
7500	1SG8 637-4MA10-0C.0	1792	750	96.9	97.0	96.8	96.1	0.90	0.90	0.90	0.86	39966	2.55	0.65	6.0	182	450	o.r.
8350	1SG8 638-4MA10-0C.0	1792	830	97.0	97.2	97.0	96.3	0.89	0.90	0.89	0.85	44496	2.55	0.60	6.0	197	500	o.r.
9050	1SG8 712-4MA10-0C.0	1791	900	97.0	97.2	97.1	96.4	0.89	0.90	0.90	0.87	48253	2.35	0.50	5.7	259	440	o.r.
9600	1SG8 713-4MA10-0C.0	1792	950	97.1	97.3	97.2	96.5	0.89	0.91	0.90	0.88	51157	2.50	0.55	6.0	284	500	o.r.
10400	1SG8 714-4MA10-0C.0	1792	1020	97.3	97.4	97.3	96.6	0.90	0.91	0.91	0.88	55420	2.60	0.55	6.0	312	550	o.r.
11550	1SG8 717-4MA10-0C.0	1792	1140	97.3	97.5	97.4	96.8	0.90	0.91	0.91	0.89	61548	2.60	0.55	6.0	346	580	o.r.
11950	1SG8 718-4MA10-0C.0	1793	1200	97.4	97.5	97.4	96.7	0.89	0.90	0.89	0.86	63644	2.60	0.50	6.0	361	700	o.r.
6-pole: n_{sync} = 1200 rpm at 60 Hz																		
1220	1SG7 452-6MA10-0A.0	1189	136	94.9	95.5	95.5	95.0	0.82	0.82	0.75	0.63	9798	2.40	0.80	5.5	20	530	o.r.
1350	1SG7 453-6MA10-0A.0	1189	148	95.2	95.7	95.8	95.3	0.83	0.83	0.77	0.65	10842	2.40	0.80	5.5	22	610	o.r.
1370	1SG7 453-6MA10-0C.0	1189	148	95.2	95.7	95.9	95.5	0.84	0.85	0.82	0.74	11003	2.35	0.65	5.3	30	850	o.r.
1420	1SG7 454-6MA10-0A.0	1189	152	95.2	95.8	96.0	95.7	0.84	0.85	0.82	0.75	11405	2.25	0.80	5.5	24	620	o.r.
1500	1SG7 454-6MA10-0C.0	1189	162	95.2	95.8	96.0	95.6	0.85	0.85	0.82	0.75	12047	2.35	0.65	5.3	33	880	o.r.
1600	1SG7 457-6MA10-0A.0	1190	172	95.4	96.0	96.1	95.7	0.84	0.85	0.80	0.70	12839	2.45	0.80	5.5	28	815	o.r.
1620	1SG7 457-6MA10-0C.0	1190	172	95.4	96.0	96.1	95.8	0.85	0.86	0.83	0.76	13000	2.40	0.65	5.3	36	1030	o.r.
1750	1SG7 458-6MA10-0A.0	1190	188	95.7	96.2	96.3	96.0	0.85	0.85	0.81	0.73	14043	2.45	0.85	5.7	31	925	o.r.
1760	1SG7 458-6MA10-0C.0	1191	186	95.7	96.2	96.3	95.9	0.86	0.86	0.83	0.75	14111	2.60	0.75	5.5	41	1120	o.r.
1950	1SG7 502-6MA10-0A.0	1191	215	95.7	96.1	96.2	95.8	0.83	0.83	0.79	0.70	15635	2.45	0.90	5.1	42	1180	o.r.
2000	1SG7 502-6MA10-0C.0	1192	210	95.8	96.2	96.4	96.0	0.84	0.86	0.83	0.76	16022	2.30	0.70	4.7	54	1250	o.r.
2170	1SG7 503-6MA10-0A.0	1191	240	95.8	96.2	96.4	95.9	0.83	0.83	0.79	0.70	17399	2.50	0.95	5.2	46	1300	o.r.
2240	1SG7 503-6MA10-0C.0	1192	235	95.9	96.3	96.5	96.1	0.84	0.86	0.83	0.76	17945	2.35	0.70	4.7	60	1370	o.r.

Innomotics HV M - 1SG. IC666 6600 V / 60 Hz B3 (IM 1001)																		
Rated power IEC kW	Article No.	Speed rpm	Rated current I _R A	Efficiency				Power factor				Torque T _R Nm	Breakdown torque T _B / T _R [-]	Locked torque T _{LR} / T _R [-]	Locked rotor current I _{LR} / I _R [-]	Inertia		
				5/4 load	4/4 load	3/4 load	2/4 load	5/4 load	4/4 load	3/4 load	2/4 load					motor	external	Startup max T/TR [-]
2320	1SG7 504-6MA10-0A.0	1192	255	96.1	96.3	96.4	95.9	0.82	0.82	0.76	0.65	18586	2.75	1.05	5.6	51	1430	o.r.
2420	1SG7 504-6MA10-0C.0	1193	260	96.2	96.5	96.6	96.1	0.84	0.84	0.81	0.73	19371	2.55	0.80	5.1	66	1500	o.r.
2540	1SG7 507-6MA10-0A.0	1192	275	96.2	96.5	96.6	96.1	0.83	0.83	0.77	0.67	20348	2.75	1.00	5.8	58	1600	o.r.
2640	1SG7 507-6MA10-0C.0	1193	285	96.3	96.6	96.7	96.3	0.84	0.84	0.82	0.73	21132	2.50	0.75	5.1	74	1650	o.r.
2750	1SG7 508-6MA10-0A.0	1191	290	96.2	96.6	96.8	96.5	0.85	0.86	0.84	0.77	22049	2.45	0.95	5.4	63	1780	o.r.
3000	1SG7 561-6MA10-0C.0	1193	315	96.1	96.5	96.6	96.1	0.85	0.86	0.84	0.78	24013	2.40	0.65	5.4	96	990	o.r.
3550	1SG7 563-6MA10-0C.0	1193	375	96.4	96.8	96.8	96.4	0.85	0.86	0.84	0.78	28416	2.50	0.65	5.6	112	1230	o.r.
4000	1SG7 567-6MA10-0C.0	1193	415	96.6	97.0	97.0	96.6	0.86	0.87	0.85	0.81	32018	2.60	0.70	5.8	134	1650	o.r.
4500	1SG7 568-6MA10-0C.0	1194	465	96.8	97.1	97.2	96.8	0.87	0.87	0.85	0.80	35990	2.65	0.70	5.9	150	1880	o.r.
4900	1SG8 632-6MA10-0C.0	1193	520	96.4	96.6	96.4	95.5	0.85	0.86	0.81	0.73	39222	2.50	0.55	5.5	193	1280	o.r.
5300	1SG8 633-6MA10-0C.0	1193	560	96.5	96.7	96.6	95.8	0.85	0.86	0.82	0.74	42424	2.45	0.55	5.5	209	1360	o.r.
5700	1SG8 634-6MA10-0C.0	1193	590	96.6	96.8	96.7	95.9	0.86	0.87	0.83	0.76	45625	2.45	0.55	5.5	227	1850	o.r.
6200	1SG8 637-6MA10-0C.0	1193	640	96.7	96.9	96.8	96.1	0.86	0.87	0.84	0.77	49628	2.45	0.55	5.5	247	1650	o.r.
6450	1SG8 638-6MA10-0C.0	1193	670	96.8	97.0	96.8	96.1	0.86	0.87	0.83	0.76	51629	2.50	0.55	5.5	264	1880	o.r.
7350	1SG8 712-6MA10-0C.0	1194	760	97.0	97.2	97.1	96.5	0.86	0.87	0.84	0.78	58783	2.40	0.55	5.5	331	1470	o.r.
8100	1SG8 713-6MA10-0C.0	1194	840	97.1	97.3	97.3	96.8	0.86	0.87	0.86	0.81	64782	2.25	0.50	5.5	374	1670	o.r.
8700	1SG8 714-6MA10-0C.0	1194	890	97.1	97.4	97.4	96.9	0.87	0.88	0.87	0.82	69580	2.30	0.50	5.5	424	1980	o.r.
9650	1SG8 717-6MA10-0C.0	1194	980	97.3	97.5	97.5	97.0	0.87	0.88	0.87	0.82	77178	2.40	0.55	5.5	478	2300	o.r.
10000	1SG8 718-6MA10-0C.0	1195	1040	97.4	97.5	97.5	96.9	0.87	0.87	0.85	0.78	79910	2.50	0.50	5.5	520	2930	o.r.
8-pole: n_{sync} = 900 rpm at 60 Hz																		
960	1SG7 452-8MA10-0A.0	889	108	94.2	95.2	95.5	95.2	0.79	0.81	0.77	0.68	10312	1.80	0.55	4.5	25	1150	o.r.
990	1SG7 452-8MA10-0C.0	889	110	94.2	95.2	95.5	95.2	0.81	0.82	0.79	0.70	10634	1.95	0.45	4.5	32	1690	o.r.
1050	1SG7 453-8MA10-0A.0	890	118	94.5	95.4	95.5	95.1	0.80	0.81	0.76	0.65	11266	1.90	0.60	4.5	28	1310	o.r.
1060	1SG7 453-8MA10-0C.0	891	118	94.6	95.4	95.6	95.1	0.81	0.82	0.78	0.67	11361	2.10	0.50	5.0	36	1870	o.r.
1100	1SG7 454-8MA10-0A.0	890	124	94.5	95.4	95.7	95.3	0.80	0.81	0.78	0.68	11803	1.90	0.60	4.5	31	1350	o.r.
1120	1SG7 454-8MA10-0C.0	891	126	94.7	95.5	95.7	95.3	0.82	0.82	0.79	0.70	12004	2.10	0.50	5.0	40	1860	o.r.
1220	1SG7 457-8MA10-0A.0	891	140	95.0	95.6	95.6	95.1	0.81	0.80	0.74	0.62	13075	2.20	0.65	5.0	35	1930	o.r.
1240	1SG7 457-8MA10-0C.0	892	138	95.1	95.7	95.7	95.1	0.82	0.82	0.76	0.65	13275	2.45	0.60	5.5	45	2400	o.r.
1300	1SG7 458-8MA10-0A.0	892	148	95.1	95.7	95.7	95.2	0.81	0.80	0.75	0.62	13917	2.35	0.70	5.5	39	2200	o.r.
1330	1SG7 458-8MA10-0C.0	892	148	95.2	95.8	95.8	95.2	0.82	0.82	0.77	0.65	14238	2.54	0.60	5.5	50	2450	o.r.
1400	1SG7 502-8MA10-0A.0	894	164	95.7	96.0	96.2	95.8	0.80	0.78	0.76	0.65	14954	2.40	0.80	4.6	46	2160	o.r.
1600	1SG7 503-8MA10-0A.0	893	180	95.7	96.3	96.4	96.1	0.81	0.81	0.78	0.68	17110	2.20	0.75	4.4	51	2290	o.r.
1750	1SG7 503-8MA10-0C.0	893	194	95.7	96.2	96.4	96.1	0.81	0.82	0.78	0.69	18714	2.25	0.60	4.2	65	2340	o.r.
1900	1SG7 504-8MA10-0C.0	893	210	95.9	96.3	96.5	96.2	0.82	0.82	0.79	0.70	20318	2.30	0.60	4.3	72	2810	o.r.
1800	1SG7 504-8MA10-0A.0	893	200	95.9	96.4	96.6	96.3	0.81	0.82	0.79	0.70	19248	2.15	0.75	4.4	56	2420	o.r.
2000	1SG7 507-8MA10-0A.0	894	225	96.0	96.4	96.5	96.1	0.81	0.81	0.76	0.65	21363	2.40	0.85	4.7	63	2730	o.r.
2100	1SG7 507-8MA10-0C.0	893	230	96.0	96.4	96.6	96.3	0.82	0.83	0.79	0.70	22456	2.35	0.65	4.4	80	3120	o.r.

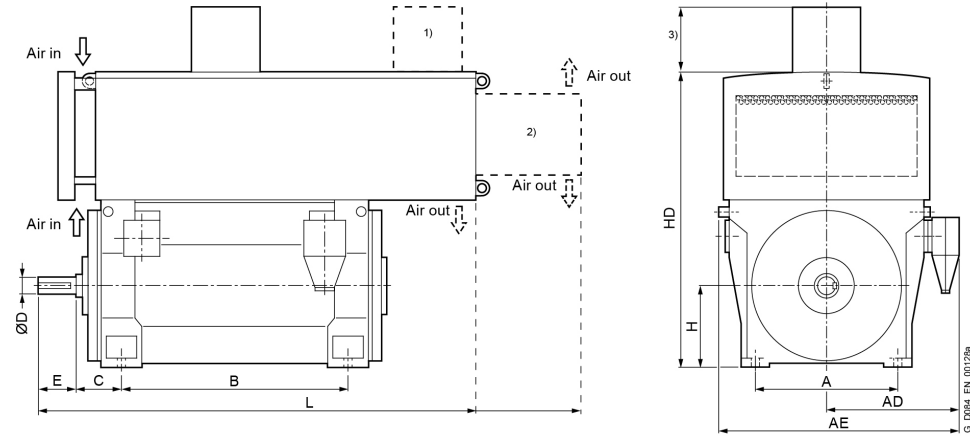
Innomotics HV M - 1SG. IC666 6600 V / 60 Hz B3 (IM 1001)																		
Rated power IEC	Article No.	Speed	Rated current I_R	Efficiency				Power factor				Torque T_R	Breakdown torque T_B/ T_R	Locked rotor torque T_{LR}/ T_R	Locked rotor current I_{LR}/ I_R	Inertia		
				5/4 load	4/4 load	3/4 load	2/4 load	5/4 load	4/4 load	3/4 load	2/4 load					motor	external	Startup max T/TR
kW		rpm	A	%	%	%	%	$\cos \varphi$	$\cos \varphi$	$\cos \varphi$	$\cos \varphi$	Nm	[-]	[-]	[-]	kgm ²	kgm ²	[-]
2200	1SG7 508-8MA10-0C.0	894	245	96.2	96.5	96.6	96.2	0.82	0.82	0.77	0.67	23499	2.60	0.70	4.8	88	3500	o.r.
2200	1SG7 508-8MA10-0A.0	893	245	96.1	96.5	96.7	96.4	0.81	0.82	0.78	0.68	23526	2.30	0.85	4.6	69	2940	o.r.
2500	1SG7 563-8MA10-0C.0	894	275	96.0	96.4	96.7	96.4	0.82	0.82	0.81	0.74	26704	2.05	0.55	4.6	124	2170	o.r.
2700	1SG7 564-8MA10-0C.0	894	300	96.2	96.5	96.8	96.4	0.83	0.82	0.80	0.73	28840	2.20	0.60	4.9	137	2485	o.r.
3050	1SG7 567-8MA10-0C.0	894	335	96.4	96.5	97.0	96.6	0.82	0.83	0.81	0.74	32579	2.15	0.55	4.8	150	3750	o.r.
3300	1SG7 568-8MA10-0C.0	895	365	96.7	96.6	97.0	96.5	0.83	0.82	0.78	0.70	35210	2.50	0.65	5.5	165	4470	o.r.
4100	1SG8 634-8MA10-0C.0	892	435	95.8	96.3	96.3	95.8	0.84	0.86	0.84	0.78	43893	1.90	0.40	4.2	251	3100	o.r.
4550	1SG8 637-8MA10-0C.0	893	480	96.1	96.5	96.5	96.0	0.85	0.86	0.84	0.78	48655	2.05	0.40	4.5	292	3820	o.r.
4800	1SG8 638-8MA10-0C.0	893	500	96.3	96.7	96.6	96.1	0.86	0.87	0.84	0.78	51329	2.10	0.45	4.7	326	4470	o.r.
5150	1SG8 712-8MA10-0C.0	895	530	96.6	96.9	96.7	96.1	0.87	0.87	0.83	0.75	54948	2.45	0.55	5.3	422	3770	o.r.
5500	1SG8 713-8MA10-0C.0	895	570	96.7	96.9	96.8	96.1	0.87	0.87	0.83	0.74	58683	2.55	0.60	5.5	472	4490	o.r.
6300	1SG8 714-8MA10-0C.0	895	650	96.8	97.1	97.0	96.4	0.87	0.87	0.84	0.77	67219	2.40	0.50	5.2	541	4910	o.r.
6900	1SG8 717-8MA10-0C.0	895	710	96.9	97.2	97.2	96.8	0.87	0.88	0.86	0.80	73620	2.35	0.50	5.2	620	5650	o.r.
7450	1SG8 718-8MA10-0C.0	895	750	97.0	97.3	97.3	96.9	0.88	0.89	0.86	0.81	79489	2.35	0.50	5.2	684	6240	o.r.



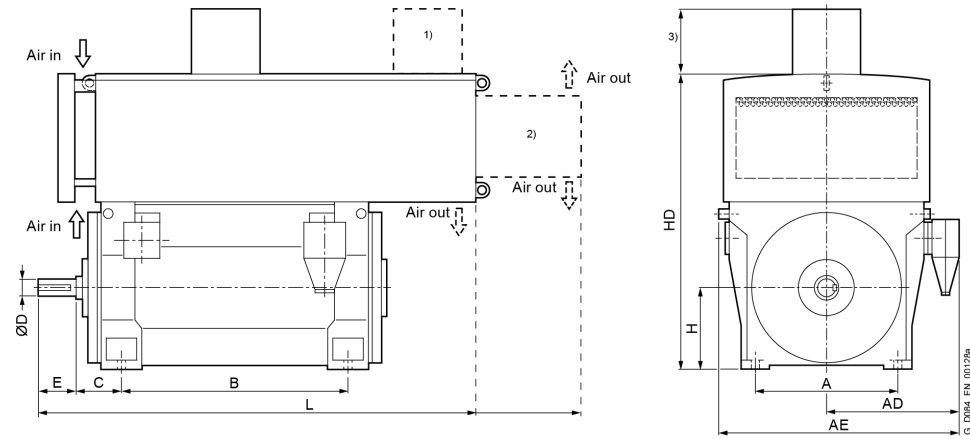
Motor type	Weight	Dimensions											
		A	AD	AE	B	C	D	E	H	HD	L	ML	
	kg	mm	mm	mm	mm	mm	mm	mm	mm	mm	mm	mm	
Innomotics HV M - 1SG. IC666 6600 V / 60 Hz B3 (IM 1001) - Dimension drawings													
2-pole													
1SG7 453-2MA10-0AA0	5100	850	925	1545	1180	250	95	130	450	3160	2640	o.r.	
1SG7 453-2MA10-0AC0	5000	850	925	1545	1180	475	95	130	450	3160	2870	o.r.	
1SG7 453-2MA10-0CA0	5200	850	925	1545	1180	250	95	130	450	3160	2640	o.r.	
1SG7 453-2MA10-0CC0	5100	850	925	1545	1180	475	95	130	450	3160	2870	o.r.	
1SG7 454-2MA10-0AA0	5200	850	925	1545	1180	250	95	130	450	3160	2640	o.r.	
1SG7 454-2MA10-0AC0	5100	850	925	1545	1180	475	95	130	450	3160	2870	o.r.	
1SG7 454-2MA10-0CA0	5300	850	925	1545	1180	250	95	130	450	3160	2640	o.r.	
1SG7 454-2MA10-0CC0	5200	850	925	1545	1180	475	95	130	450	3160	2870	o.r.	
1SG7 457-2MA10-0AA0	5550	850	925	1545	1400	250	95	130	450	3160	2850	o.r.	
1SG7 457-2MA10-0AC0	5450	850	925	1545	1400	475	95	130	450	3160	3080	o.r.	
1SG7 457-2MA10-0CA0	5650	850	925	1545	1400	250	95	130	450	3160	2850	o.r.	
1SG7 457-2MA10-0CC0	5600	850	925	1545	1400	475	95	130	450	3160	3080	o.r.	
1SG7 458-2MA10-0AA0	5700	850	925	1545	1400	250	95	130	450	3160	2850	o.r.	
1SG7 458-2MA10-0AC0	5600	850	925	1545	1400	475	95	130	450	3160	3080	o.r.	
1SG7 458-2MA10-0CA0	5850	850	925	1545	1400	250	95	130	450	3160	2850	o.r.	
1SG7 458-2MA10-0CC0	5750	850	925	1545	1400	475	95	130	450	3160	3080	o.r.	
1SG7 502-2MA10-0CA0	6400	950	1005	1705	1320	250	110	165	500	3370	2920	o.r.	
1SG7 502-2MA10-0CC0	6300	950	1005	1705	1320	530	120	165	500	3370	3200	o.r.	
1SG7 503-2MA10-0CA0	7050	950	1005	1705	1320	250	110	165	500	3370	2920	o.r.	
1SG7 503-2MA10-0CC0	7000	950	1005	1705	1320	530	120	165	500	3370	3200	o.r.	
1SG7 504-2MA10-0CA0	7150	950	1005	1705	1320	250	110	165	500	3370	2920	o.r.	
1SG7 504-2MA10-0CC0	7100	950	1005	1705	1320	530	120	165	500	3370	3200	o.r.	



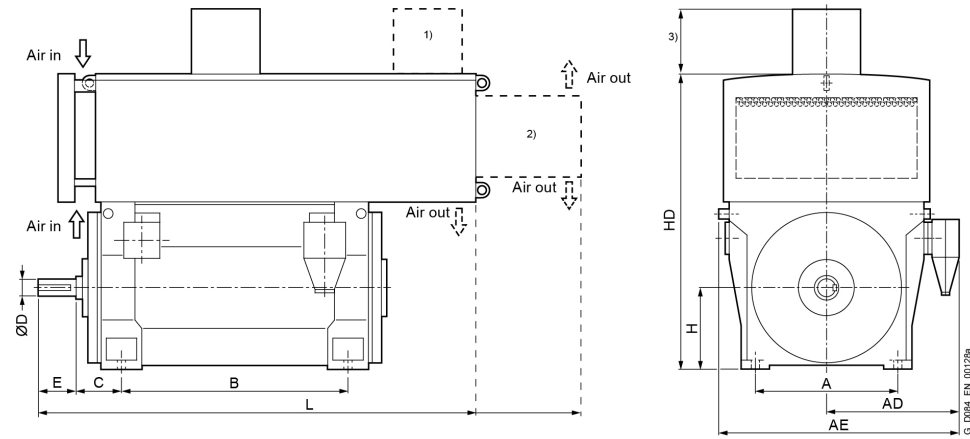
Motor type	Weight	Dimensions												
		A	AD	AE	B	C	D	E	H	HD	L	ML		
	kg	mm	mm	mm	mm	mm	mm	mm	mm	mm	mm	mm	mm	
Innomotics HV M - 1SG. IC666 6600 V / 60 Hz B3 (IM 1001) - Dimension drawings														
1SG7 507-2MA10-0CA0	7850	950	1005	1705	1500	250	110	165	500	3370	3130	o.r.		
1SG7 507-2MA10-0CC0	7800	950	1005	1705	1500	530	120	165	500	3370	3410	o.r.		
1SG7 508-2MA10-0CA0	8150	950	1005	1705	1500	250	110	165	500	3370	3130	o.r.		
1SG7 508-2MA10-0CC0	8100	950	1005	1705	1500	530	120	165	500	3370	3410	o.r.		
1SG7 562-2MA10-0CC0	8750	1060	1290	2060	1400	600	150	200	560	3650	3440	o.r.		
1SG7 563-2MA10-0CC0	8950	1060	1290	2060	1400	600	150	200	560	3650	3440	o.r.		
1SG7 564-2MA10-0CC0	9250	1060	1290	2060	1400	600	150	200	560	3650	3440	o.r.		
1SG7 567-2MA10-0CC0	10100	1060	1290	2060	1600	600	150	200	560	3650	3670	o.r.		
1SG7 568-2MA10-0CC0	10700	1060	1290	2060	1600	600	150	200	560	3650	3670	o.r.		
1SG8 632-2MA10-0CJ0	10900	1320	1520	2520	1600	560	160	240	630	4400	4060	o.r.		
1SG8 633-2MA10-0CJ0	11400	1320	1520	2520	1600	560	160	240	630	4400	4060	o.r.		
1SG8 634-2MA10-0CJ0	11900	1320	1520	2520	1600	560	160	240	630	4400	4060	o.r.		
1SG8 637-2MA10-0CJ0	12850	1320	1520	2520	1800	560	160	240	630	4400	4260	o.r.		
1SG8 638-2MA10-0CJ0	13500	1320	1520	2520	1800	560	160	240	630	4400	4260	o.r.		
1SG8 712-2MA10-0CJ0	14800	1500	1620	2720	2000	560	180	240	710	4290	4070	o.r.		
1SG8 713-2MA10-0CJ0	15400	1500	1620	2720	2000	560	180	240	710	4290	4070	o.r.		
1SG8 714-2MA10-0CJ0	16150	1500	1620	2720	2000	560	180	240	710	4290	4070	o.r.		
1SG8 716-2MA10-0CJ0	17300	1500	1620	2720	2240	560	180	240	710	4290	4310	o.r.		
1SG8 717-2MA10-0CJ0	18100	1500	1620	2720	2240	560	180	240	710	4290	4310	o.r.		
4-pole														
1SG7 453-4MA10-0AA0	5050	850	925	1545	1180	250	130	200	450	3160	2710	o.r.		
1SG7 453-4MA10-0AC0	5050	850	925	1545	1180	500	130	200	450	3160	2960	o.r.		
1SG7 453-4MA10-0CA0	5200	850	925	1545	1180	250	130	200	450	3160	2710	o.r.		



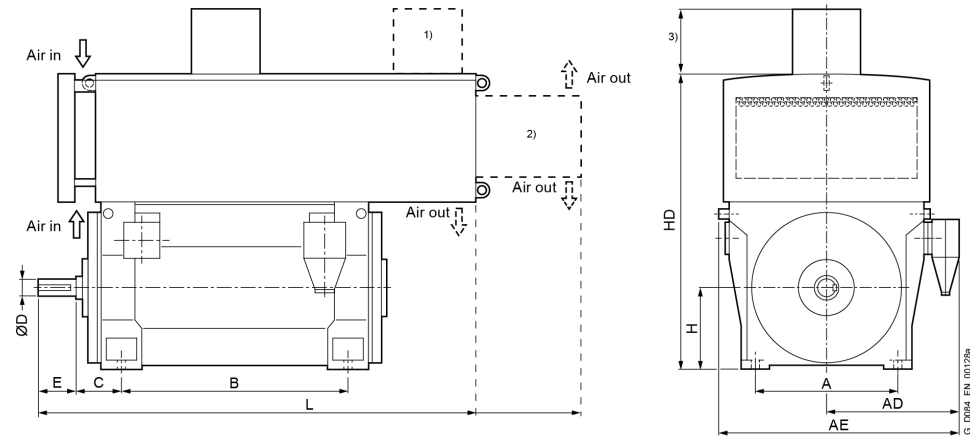
Motor type	Weight	Dimensions										
		A	AD	AE	B	C	D	E	H	HD	L	ML
	kg	mm	mm	mm	mm	mm	mm	mm	mm	mm	mm	mm
Innomotics HV M - 1SG. IC666 6600 V / 60 Hz B3 (IM 1001) - Dimension drawings												
1SG7 453-4MA10-0CC0	5200	850	925	1545	1180	500	130	200	450	3160	2960	o.r.
1SG7 454-4MA10-0CA0	5400	850	925	1545	1180	250	130	200	450	3160	2710	o.r.
1SG7 454-4MA10-0CC0	5400	850	925	1545	1180	500	130	200	450	3160	2960	o.r.
1SG7 454-4MA10-0AA0	5200	850	925	1545	1180	250	130	200	450	3160	2710	o.r.
1SG7 454-4MA10-0AC0	5250	850	925	1545	1180	500	130	200	450	3160	2960	o.r.
1SG7 457-4MA10-0CA0	6000	850	925	1545	1400	250	130	200	450	3160	2920	o.r.
1SG7 457-4MA10-0CC0	6000	850	925	1545	1400	500	130	200	450	3160	3170	o.r.
1SG7 457-4MA10-0AA0	5850	850	925	1545	1400	250	130	200	450	3160	2920	o.r.
1SG7 457-4MA10-0AC0	5850	850	925	1545	1400	500	130	200	450	3160	3170	o.r.
1SG7 458-4MA10-0CA0	6200	850	925	1545	1400	250	130	200	450	3160	2920	o.r.
1SG7 458-4MA10-0CC0	6250	850	925	1545	1400	500	130	200	450	3160	3170	o.r.
1SG7 458-4MA10-0AA0	6050	850	925	1545	1400	250	130	200	450	3160	2920	o.r.
1SG7 458-4MA10-0AC0	6100	850	925	1545	1400	500	130	200	450	3160	3170	o.r.
1SG7 503-4MA10-0AA0	7150	950	1005	1705	1320	315	160	240	500	3370	3060	o.r.
1SG7 503-4MA10-0AC0	7250	950	1005	1705	1320	560	170	240	500	3370	3300	o.r.
1SG7 503-4MA10-0CA0	7300	950	1005	1705	1320	315	160	240	500	3370	3060	o.r.
1SG7 503-4MA10-0CC0	7400	950	1005	1705	1320	560	170	240	500	3370	3300	o.r.
1SG7 504-4MA10-0AA0	7450	950	1005	1705	1320	315	160	240	500	3370	3060	o.r.
1SG7 504-4MA10-0AC0	7550	950	1005	1705	1320	560	170	240	500	3370	3300	o.r.
1SG7 504-4MA10-0CA0	7600	950	1005	1705	1320	315	160	240	500	3370	3060	o.r.
1SG7 504-4MA10-0CC0	7700	950	1005	1705	1320	560	170	240	500	3370	3300	o.r.
1SG7 507-4MA10-0CA0	8300	950	1005	1705	1500	315	160	240	500	3370	3270	o.r.
1SG7 507-4MA10-0CC0	8350	950	1005	1705	1500	560	170	240	500	3370	3510	o.r.



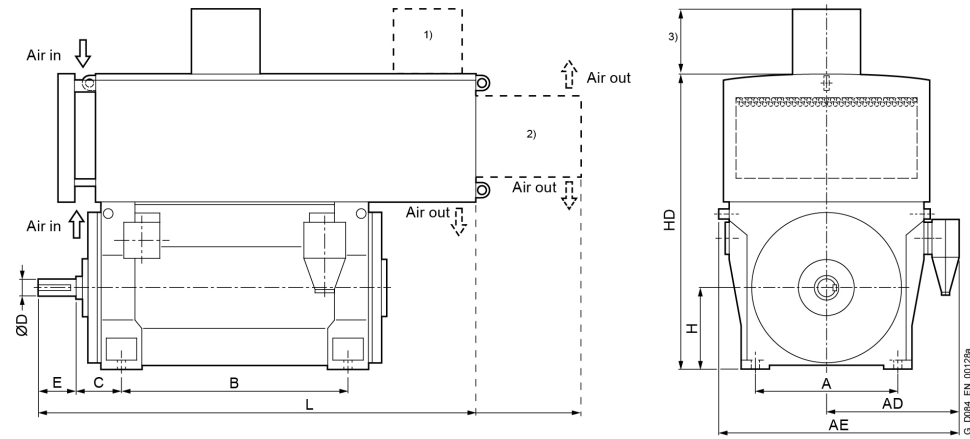
Motor type	Weight	Dimensions										
		A	AD	AE	B	C	D	E	H	HD	L	ML
	kg	mm	mm	mm	mm	mm	mm	mm	mm	mm	mm	mm
Innomotics HV M - 1SG. IC666 6600 V / 60 Hz B3 (IM 1001) - Dimension drawings												
1SG7 507-4MA10-0AA0	8150	950	1005	1705	1500	315	160	240	500	3370	3270	o.r.
1SG7 507-4MA10-0AC0	8200	950	1005	1705	1500	560	170	240	500	3370	3510	o.r.
1SG7 508-4MA10-0AA0	8500	950	1005	1705	1500	315	160	240	500	3370	3270	o.r.
1SG7 508-4MA10-0AC0	8550	950	1005	1705	1500	560	170	240	500	3370	3510	o.r.
1SG7 508-4MA10-0CA0	8650	950	1005	1705	1500	315	160	240	500	3370	3270	o.r.
1SG7 508-4MA10-0CC0	8750	950	1005	1705	1500	560	170	240	500	3370	3510	o.r.
1SG7 563-4MA10-0CA0	9000	1060	1290	2060	1400	335	190	280	560	3650	3250	o.r.
1SG7 563-4MA10-0CC0	9050	1060	1290	2060	1400	600	190	280	560	3650	3520	o.r.
1SG7 564-4MA10-0CA0	9500	1060	1290	2060	1400	335	190	280	560	3650	3250	o.r.
1SG7 564-4MA10-0CC0	9550	1060	1290	2060	1400	600	190	280	560	3650	3520	o.r.
1SG7 566-4MA10-0CA0	10350	1060	1290	2060	1600	335	190	280	560	3650	3480	o.r.
1SG7 566-4MA10-0CC0	10450	1060	1290	2060	1600	600	190	280	560	3650	3750	o.r.
1SG7 567-4MA10-0CA0	10850	1060	1290	2060	1600	335	190	280	560	3650	3480	o.r.
1SG7 567-4MA10-0CC0	10900	1060	1290	2060	1600	600	190	280	560	3650	3750	o.r.
1SG7 568-4MA10-0CA0	11300	1060	1290	2060	1600	335	190	280	560	3650	3480	o.r.
1SG7 568-4MA10-0CC0	11350	1060	1290	2060	1600	600	190	280	560	3650	3750	o.r.
1SG8 633-4MA10-0CG0	12050	1320	1520	2520	1600	375	200	280	630	4400	3920	o.r.
1SG8 633-4MA10-0CJ0	12150	1320	1520	2520	1600	630	200	280	630	4400	4170	o.r.
1SG8 634-4MA10-0CG0	12650	1320	1520	2520	1600	375	200	280	630	4400	3920	o.r.
1SG8 634-4MA10-0CJ0	12750	1320	1520	2520	1600	630	200	280	630	4400	4170	o.r.
1SG8 637-4MA10-0CG0	13450	1320	1520	2520	1800	375	200	280	630	4400	4120	o.r.
1SG8 637-4MA10-0CJ0	13550	1320	1520	2520	1800	630	200	280	630	4400	4370	o.r.
1SG8 638-4MA10-0CG0	14150	1320	1520	2520	1800	375	200	280	630	4400	4120	o.r.



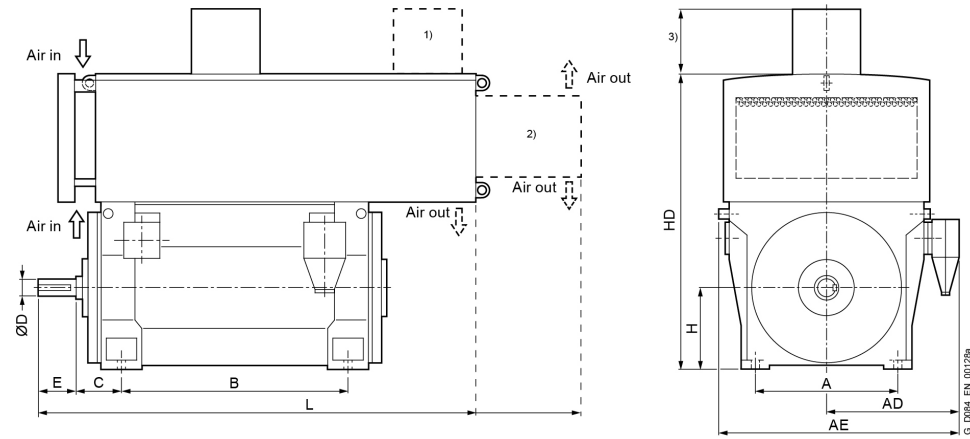
Motor type	Weight	Dimensions										
		A	AD	AE	B	C	D	E	H	HD	L	ML
	kg	mm	mm	mm	mm	mm	mm	mm	mm	mm	mm	mm
Innomotics HV M - 1SG. IC666 6600 V / 60 Hz B3 (IM 1001) - Dimension drawings												
1SG8 638-4MA10-0CJ0	14250	1320	1520	2520	1800	630	200	280	630	4400	4370	o.r.
1SG8 712-4MA10-0CG0	15900	1500	1620	2720	2000	375	220	280	710	4290	3920	o.r.
1SG8 712-4MA10-0CJ0	16050	1500	1620	2720	2000	630	220	280	710	4290	4180	o.r.
1SG8 713-4MA10-0CG0	16600	1500	1620	2720	2000	375	220	280	710	4290	3920	o.r.
1SG8 713-4MA10-0CJ0	16700	1500	1620	2720	2000	630	220	280	710	4290	4180	o.r.
1SG8 714-4MA10-0CG0	17400	1500	1620	2720	2000	375	220	280	710	4290	3920	o.r.
1SG8 714-4MA10-0CJ0	17550	1500	1620	2720	2000	630	220	280	710	4290	4180	o.r.
1SG8 717-4MA10-0CG0	18750	1500	1620	2720	2240	375	220	280	710	4290	4160	o.r.
1SG8 717-4MA10-0CJ0	18900	1500	1620	2720	2240	630	220	280	710	4290	4420	o.r.
1SG8 718-4MA10-0CG0	19300	1500	1620	2720	2240	375	220	280	710	4290	4160	o.r.
1SG8 718-4MA10-0CJ0	19450	1500	1620	2720	2240	630	220	280	710	4290	4420	o.r.
6-pole												
1SG7 452-6MA10-0AA0	4900	850	925	1545	1180	250	130	200	450	3160	2710	o.r.
1SG7 452-6MA10-0AC0	4950	850	925	1545	1180	500	130	200	450	3160	2960	o.r.
1SG7 453-6MA10-0AA0	5050	850	925	1545	1180	250	130	200	450	3160	2710	o.r.
1SG7 453-6MA10-0AC0	5100	850	925	1545	1180	500	130	200	450	3160	2960	o.r.
1SG7 453-6MA10-0CA0	5200	850	925	1545	1180	250	130	200	450	3160	2710	o.r.
1SG7 453-6MA10-0CC0	5250	850	925	1545	1180	500	130	200	450	3160	2960	o.r.
1SG7 454-6MA10-0AA0	5250	850	925	1545	1180	250	130	200	450	3160	2710	o.r.
1SG7 454-6MA10-0AC0	5250	850	925	1545	1180	500	130	200	450	3160	2960	o.r.
1SG7 454-6MA10-0CA0	5400	850	925	1545	1180	250	130	200	450	3160	2710	o.r.
1SG7 454-6MA10-0CC0	5450	850	925	1545	1180	500	130	200	450	3160	2960	o.r.
1SG7 457-6MA10-0AA0	5700	850	925	1545	1400	250	130	200	450	3160	2920	o.r.



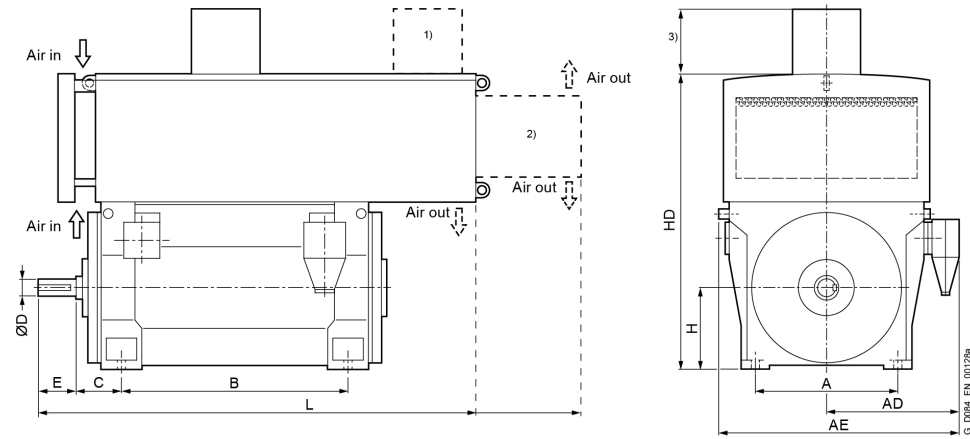
Motor type	Weight	Dimensions										
		A	AD	AE	B	C	D	E	H	HD	L	ML
	kg	mm	mm	mm	mm	mm	mm	mm	mm	mm	mm	mm
Innomotics HV M - 1SG. IC666 6600 V / 60 Hz B3 (IM 1001) - Dimension drawings												
1SG7 457-6MA10-0AC0	5750	850	925	1545	1400	500	130	200	450	3160	3170	o.r.
1SG7 457-6MA10-0CA0	5900	850	925	1545	1400	250	130	200	450	3160	2920	o.r.
1SG7 457-6MA10-0CC0	5900	850	925	1545	1400	500	130	200	450	3160	3170	o.r.
1SG7 458-6MA10-0AA0	6000	850	925	1545	1400	250	130	200	450	3160	2920	o.r.
1SG7 458-6MA10-0AC0	6000	850	925	1545	1400	500	130	200	450	3160	3170	o.r.
1SG7 458-6MA10-0CA0	6200	850	925	1545	1400	250	130	200	450	3160	2920	o.r.
1SG7 458-6MA10-0CC0	6200	850	925	1545	1400	500	130	200	450	3160	3170	o.r.
1SG7 502-6MA10-0AA0	6900	950	1005	1705	1320	315	160	240	500	3370	3060	o.r.
1SG7 502-6MA10-0AC0	6950	950	1005	1705	1320	560	170	240	500	3370	3300	o.r.
1SG7 502-6MA10-0CA0	7100	950	1005	1705	1320	315	160	240	500	3370	3060	o.r.
1SG7 502-6MA10-0CC0	7150	950	1005	1705	1320	560	170	240	500	3370	3300	o.r.
1SG7 503-6MA10-0AA0	7150	950	1005	1705	1320	315	160	240	500	3370	3060	o.r.
1SG7 503-6MA10-0AC0	7200	950	1005	1705	1320	560	170	240	500	3370	3300	o.r.
1SG7 503-6MA10-0CA0	7350	950	1005	1705	1320	315	160	240	500	3370	3060	o.r.
1SG7 503-6MA10-0CC0	7450	950	1005	1705	1320	560	170	240	500	3370	3300	o.r.
1SG7 504-6MA10-0AA0	7450	950	1005	1705	1320	315	160	240	500	3370	3060	o.r.
1SG7 504-6MA10-0AC0	7500	950	1005	1705	1320	560	170	240	500	3370	3300	o.r.
1SG7 504-6MA10-0CA0	7650	950	1005	1705	1320	315	160	240	500	3370	3060	o.r.
1SG7 504-6MA10-0CC0	7700	950	1005	1705	1320	560	170	240	500	3370	3300	o.r.
1SG7 507-6MA10-0AA0	8150	950	1005	1705	1500	315	160	240	500	3370	3270	o.r.
1SG7 507-6MA10-0AC0	8200	950	1005	1705	1500	560	170	240	500	3370	3510	o.r.
1SG7 507-6MA10-0CA0	8400	950	1005	1705	1500	315	160	240	500	3370	3270	o.r.
1SG7 507-6MA10-0CC0	8450	950	1005	1705	1500	560	170	240	500	3370	3510	o.r.



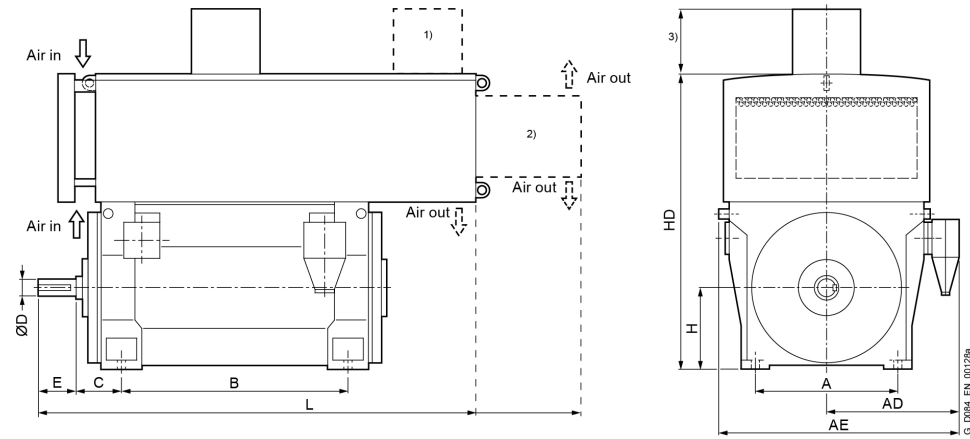
Motor type	Weight	Dimensions										
		A	AD	AE	B	C	D	E	H	HD	L	ML
	kg	mm	mm	mm	mm	mm	mm	mm	mm	mm	mm	mm
Innomotics HV M - 1SG. IC666 6600 V / 60 Hz B3 (IM 1001) - Dimension drawings												
1SG7 508-6MA10-0AA0	8450	950	1005	1705	1500	315	160	240	500	3370	3270	o.r.
1SG7 508-6MA10-0AC0	8500	950	1005	1705	1500	560	170	240	500	3370	3510	o.r.
1SG7 561-6MA10-0CA0	9050	1060	1290	2060	1400	335	190	280	560	3650	3250	o.r.
1SG7 561-6MA10-0CC0	9100	1060	1290	2060	1400	600	190	280	560	3650	3520	o.r.
1SG7 563-6MA10-0CA0	9650	1060	1290	2060	1400	335	190	280	560	3650	3250	o.r.
1SG7 563-6MA10-0CC0	9750	1060	1290	2060	1400	600	190	280	560	3650	3520	o.r.
1SG7 567-6MA10-0CA0	10850	1060	1290	2060	1600	335	190	280	560	3650	3480	o.r.
1SG7 567-6MA10-0CC0	10950	1060	1290	2060	1600	600	190	280	560	3650	3750	o.r.
1SG7 568-6MA10-0CA0	11500	1060	1290	2060	1600	335	190	280	560	3650	3480	o.r.
1SG7 568-6MA10-0CC0	11600	1060	1290	2060	1600	600	190	280	560	3650	3750	o.r.
1SG8 632-6MA10-0CG0	11850	1320	1520	2520	1600	375	200	280	630	4320	3920	o.r.
1SG8 632-6MA10-0CJ0	12000	1320	1520	2520	1600	630	200	280	630	4320	4170	o.r.
1SG8 633-6MA10-0CG0	12400	1320	1520	2520	1600	375	200	280	630	4320	3920	o.r.
1SG8 633-6MA10-0CJ0	12500	1320	1520	2520	1600	630	200	280	630	4320	4170	o.r.
1SG8 634-6MA10-0CG0	12900	1320	1520	2520	1600	375	200	280	630	4320	3920	o.r.
1SG8 634-6MA10-0CJ0	13000	1320	1520	2520	1600	630	200	280	630	4320	4170	o.r.
1SG8 637-6MA10-0CG0	13800	1320	1520	2520	1800	375	200	280	630	4320	4120	o.r.
1SG8 637-6MA10-0CJ0	13900	1320	1520	2520	1800	630	200	280	630	4320	4370	o.r.
1SG8 638-6MA10-0CG0	14250	1320	1520	2520	1800	375	200	280	630	4320	4120	o.r.
1SG8 638-6MA10-0CJ0	14400	1320	1520	2520	1800	630	200	280	630	4320	4370	o.r.
1SG8 712-6MA10-0CG0	15800	1500	1620	2720	2000	375	220	280	710	4290	3920	o.r.
1SG8 712-6MA10-0CJ0	15950	1500	1620	2720	2000	630	220	280	710	4290	4180	o.r.
1SG8 713-6MA10-0CG0	16800	1500	1620	2720	2000	375	220	280	710	4290	3920	o.r.



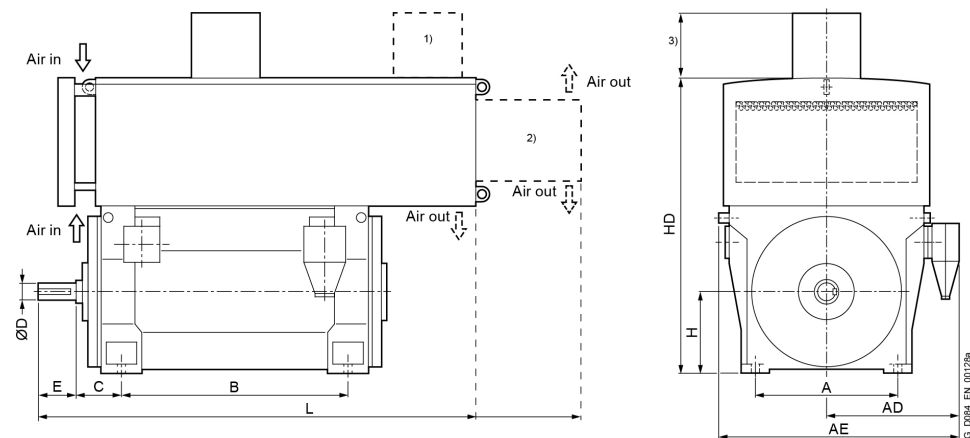
Motor type	Weight	Dimensions										
		A	AD	AE	B	C	D	E	H	HD	L	ML
	kg	mm	mm	mm	mm	mm	mm	mm	mm	mm	mm	mm
Innomotics HV M - 1SG. IC666 6600 V / 60 Hz B3 (IM 1001) - Dimension drawings												
1SG8 713-6MA10-0CJ0	16950	1500	1620	2720	2000	630	220	280	710	4290	4180	o.r.
1SG8 714-6MA10-0CG0	17800	1500	1620	2720	2000	375	220	280	710	4290	3920	o.r.
1SG8 714-6MA10-0CJ0	17900	1500	1620	2720	2000	630	220	280	710	4290	4180	o.r.
1SG8 717-6MA10-0CG0	19450	1500	1620	2720	2240	375	220	280	710	4290	4160	o.r.
1SG8 717-6MA10-0CJ0	19600	1500	1620	2720	2240	630	220	280	710	4290	4420	o.r.
1SG8 718-6MA10-0CG0	20350	1500	1620	2720	2240	375	220	280	710	4290	4160	o.r.
1SG8 718-6MA10-0CJ0	20500	1500	1620	2720	2240	630	220	280	710	4290	4420	o.r.
8-pole												
1SG7 452-8MA10-0AA0	5050	850	925	1545	1180	250	130	200	450	3160	2710	o.r.
1SG7 452-8MA10-0AC0	5100	850	925	1545	1180	500	130	200	450	3160	2960	o.r.
1SG7 452-8MA10-0CA0	5200	850	925	1545	1180	250	130	200	450	3160	2710	o.r.
1SG7 452-8MA10-0CC0	5250	850	925	1545	1180	500	130	200	450	3160	2960	o.r.
1SG7 453-8MA10-0AA0	5250	850	925	1545	1180	250	130	200	450	3160	2710	o.r.
1SG7 453-8MA10-0AC0	5300	850	925	1545	1180	500	130	200	450	3160	2960	o.r.
1SG7 453-8MA10-0CA0	5400	850	925	1545	1180	250	130	200	450	3160	2710	o.r.
1SG7 453-8MA10-0CC0	5450	850	925	1545	1180	500	130	200	450	3160	2960	o.r.
1SG7 454-8MA10-0AA0	5450	850	925	1545	1180	250	130	200	450	3160	2710	o.r.
1SG7 454-8MA10-0AC0	5500	850	925	1545	1180	500	130	200	450	3160	2960	o.r.
1SG7 454-8MA10-0CA0	5650	850	925	1545	1180	250	130	200	450	3160	2710	o.r.
1SG7 454-8MA10-0CC0	5650	850	925	1545	1180	500	130	200	450	3160	2960	o.r.
1SG7 457-8MA10-0AA0	5950	850	925	1545	1400	250	130	200	450	3160	2920	o.r.
1SG7 457-8MA10-0AC0	6000	850	925	1545	1400	500	130	200	450	3160	3170	o.r.
1SG7 457-8MA10-0CA0	6150	850	925	1545	1400	250	130	200	450	3160	2920	o.r.



Motor type	Weight	Dimensions										
		A	AD	AE	B	C	D	E	H	HD	L	ML
	kg	mm	mm	mm	mm	mm	mm	mm	mm	mm	mm	mm
Innomotics HV M - 1SG. IC666 6600 V / 60 Hz B3 (IM 1001) - Dimension drawings												
1SG7 457-8MA10-0CC0	6200	850	925	1545	1400	500	130	200	450	3160	3170	o.r.
1SG7 458-8MA10-0AA0	6250	850	925	1545	1400	250	130	200	450	3160	2920	o.r.
1SG7 458-8MA10-0AC0	6250	850	925	1545	1400	500	130	200	450	3160	3170	o.r.
1SG7 458-8MA10-0CA0	6450	850	925	1545	1400	250	130	200	450	3160	2920	o.r.
1SG7 458-8MA10-0CC0	6450	850	925	1545	1400	500	130	200	450	3160	3170	o.r.
1SG7 502-8MA10-0AA0	6900	950	1005	1705	1320	315	160	240	500	3370	3060	o.r.
1SG7 502-8MA10-0AC0	6950	950	1005	1705	1320	560	170	240	500	3370	3300	o.r.
1SG7 503-8MA10-0AA0	7200	950	1005	1705	1320	315	160	240	500	3370	3060	o.r.
1SG7 503-8MA10-0AC0	7250	950	1005	1705	1320	560	170	240	500	3370	3300	o.r.
1SG7 503-8MA10-0CA0	7400	950	1005	1705	1320	315	160	240	500	3370	3060	o.r.
1SG7 503-8MA10-0CC0	7450	950	1005	1705	1320	560	170	240	500	3370	3300	o.r.
1SG7 504-8MA10-0CA0	7700	950	1005	1705	1320	315	160	240	500	3370	3060	o.r.
1SG7 504-8MA10-0CC0	7750	950	1005	1705	1320	560	170	240	500	3370	3300	o.r.
1SG7 504-8MA10-0AA0	7500	950	1005	1705	1320	315	160	240	500	3370	3060	o.r.
1SG7 504-8MA10-0AC0	7550	950	1005	1705	1320	560	170	240	500	3370	3300	o.r.
1SG7 507-8MA10-0AA0	8150	950	1005	1705	1500	315	160	240	500	3370	3270	o.r.
1SG7 507-8MA10-0AC0	8200	950	1005	1705	1500	560	170	240	500	3370	3510	o.r.
1SG7 507-8MA10-0CA0	8400	950	1005	1705	1500	315	160	240	500	3370	3270	o.r.
1SG7 507-8MA10-0CC0	8500	950	1005	1705	1500	560	170	240	500	3370	3510	o.r.
1SG7 508-8MA10-0CA0	8750	950	1005	1705	1500	315	160	240	500	3370	3270	o.r.
1SG7 508-8MA10-0CC0	8800	950	1005	1705	1500	560	170	240	500	3370	3510	o.r.
1SG7 508-8MA10-0AA0	8500	950	1005	1705	1500	315	160	240	500	3370	3270	o.r.
1SG7 508-8MA10-0AC0	8550	950	1005	1705	1500	560	170	240	500	3370	3510	o.r.



Motor type	Weight	Dimensions										
		A	AD	AE	B	C	D	E	H	HD	L	ML
	kg	mm	mm	mm	mm	mm	mm	mm	mm	mm	mm	mm
Innomotics HV M - 1SG. IC666 6600 V / 60 Hz B3 (IM 1001) - Dimension drawings												
1SG7 563-8MA10-OCA0	9400	1060	1075	1845	1400	335	190	280	560	3650	3250	o.r.
1SG7 563-8MA10-OCC0	9500	1060	1075	1845	1400	600	190	280	560	3650	3520	o.r.
1SG7 564-8MA10-OCA0	9850	1060	1075	1845	1400	335	190	280	560	3650	3250	o.r.
1SG7 564-8MA10-OCC0	9900	1060	1075	1845	1400	600	190	280	560	3650	3520	o.r.
1SG7 567-8MA10-OCA0	10750	1060	1075	1845	1600	335	190	280	560	3650	3480	o.r.
1SG7 567-8MA10-OCC0	10850	1060	1075	1845	1600	600	190	280	560	3650	3750	o.r.
1SG7 568-8MA10-OCA0	11250	1060	1075	1845	1600	335	190	280	560	3650	3480	o.r.
1SG7 568-8MA10-OCC0	11350	1060	1075	1845	1600	600	190	280	560	3650	3750	o.r.
1SG8 634-8MA10-OCG0	11950	1320	1520	2520	1600	375	200	280	630	4320	3920	o.r.
1SG8 634-8MA10-OCJ0	12050	1320	1520	2520	1600	630	200	280	630	4320	4170	o.r.
1SG8 637-8MA10-OCG0	13200	1320	1520	2520	1800	375	200	280	630	4320	4120	o.r.
1SG8 637-8MA10-OCJ0	13300	1320	1520	2520	1800	630	200	280	630	4320	4370	o.r.
1SG8 638-8MA10-OCG0	13900	1320	1520	2520	1800	375	200	280	630	4320	4120	o.r.
1SG8 638-8MA10-OCJ0	14000	1320	1520	2520	1800	630	200	280	630	4320	4370	o.r.
1SG8 712-8MA10-OCG0	15100	1500	1620	2720	2000	375	220	280	710	4210	3920	o.r.
1SG8 712-8MA10-OCJ0	15300	1500	1620	2720	2000	630	220	280	710	4210	4180	o.r.
1SG8 713-8MA10-OCG0	15900	1500	1620	2720	2000	375	220	280	710	4210	3920	o.r.
1SG8 713-8MA10-OCJ0	16100	1500	1620	2720	2000	630	220	280	710	4210	4180	o.r.
1SG8 714-8MA10-OCG0	17050	1500	1620	2720	2000	375	220	280	710	4210	3920	o.r.
1SG8 714-8MA10-OCJ0	17250	1500	1620	2720	2000	630	220	280	710	4210	4180	o.r.
1SG8 717-8MA10-OCG0	18750	1500	1620	2720	2240	375	220	280	710	4210	4160	o.r.
1SG8 717-8MA10-OCJ0	18950	1500	1620	2720	2240	630	220	280	710	4210	4420	o.r.
1SG8 718-8MA10-OCG0	19800	1500	1620	2720	2240	375	220	280	710	4210	4160	o.r.



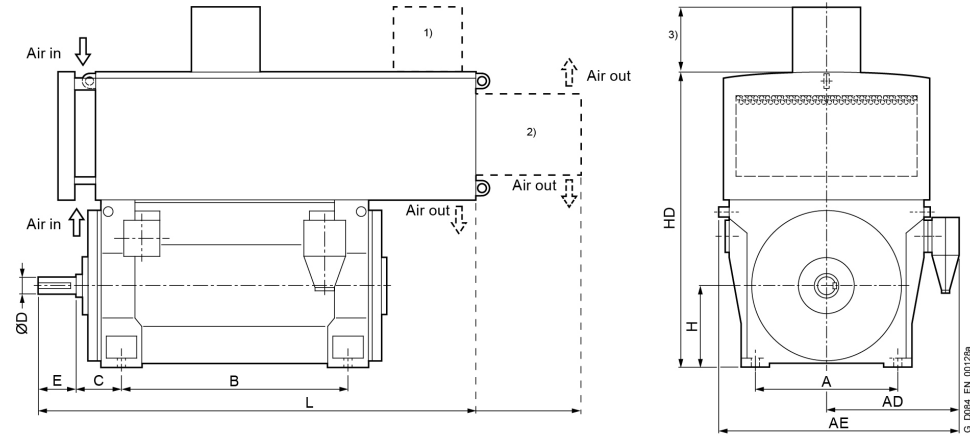
Motor type	Weight	Dimensions											
		A	AD	AE	B	C	D	E	H	HD	L	ML	
	kg	mm	mm	mm	mm	mm	mm	mm	mm	mm	mm	mm	mm
Innomotics HV M - 1SG. IC666 6600 V / 60 Hz B3 (IM 1001) - Dimension drawings													
1SG8 718-8MA10-0CJ0	20000	1500	1620	2720	2240	630	220	280	710	4210	4420	o.r.	

Innomotics HV M - 1SG. IC666 10000 V / 50 Hz B3 (IM 1001)																		
Rated power IEC	Article No.	Speed	Rated current I_R	Efficiency				Power factor				Torque T_R	Breakdown torque T_B/ T_R	Locked torque T_{LR}/ T_R	Locked rotor current I_{LR}/ I_R	Inertia		
				5/4 load	4/4 load	3/4 load	2/4 load	5/4 load	4/4 load	3/4 load	2/4 load					motor	external	Startup max T/TR
kW		rpm	A	%	%	%	%	cos φ	cos φ	cos φ	cos φ	Nm	[-]	[-]	[-]	kgm ²	kgm ²	[-]
2-pole: n_{sync} = 3000 rpm at 50 Hz																		
1260	1SG7 453-2MA80-0A.2	2979	85	95.2	95.7	95.8	95.1	0.88	0.89	0.88	0.82	4040	2.40	0.55	5.8	10	60	o.r.
1280	1SG7 453-2MA80-0C.2	2981	87	95.3	95.7	95.8	95.2	0.88	0.89	0.89	0.84	4103	2.45	0.60	5.5	14	100	o.r.
1400	1SG7 454-2MA80-0C.2	2981	94	95.5	95.8	95.8	95.1	0.89	0.90	0.89	0.84	4485	2.60	0.65	6.0	15	100	o.r.
1400	1SG7 454-2MA80-0A.2	2979	94	95.2	95.8	96.0	95.6	0.88	0.90	0.89	0.86	4493	2.40	0.55	5.8	11	60	o.r.
1600	1SG7 457-2MA80-0A.2	2980	106	95.6	96.0	96.1	95.5	0.89	0.90	0.89	0.84	5129	2.60	0.60	5.8	12	70	o.r.
1600	1SG7 457-2MA80-0C.2	2981	106	95.6	96.0	96.1	95.5	0.89	0.90	0.90	0.86	5128	2.60	0.65	6.0	16	120	o.r.
1800	1SG7 458-2MA80-0A.2	2980	120	95.8	96.2	96.3	95.8	0.89	0.90	0.89	0.85	5770	2.70	0.60	6.0	13	70	o.r.
1800	1SG7 458-2MA80-0C.2	2981	120	95.8	96.2	96.3	95.8	0.90	0.90	0.90	0.86	5768	2.65	0.65	6.0	18	120	o.r.
1920	1SG7 503-2MA80-0A.2	2973	130	95.6	96.1	96.3	96.0	0.88	0.89	0.89	0.85	6168	2.60	0.50	5.0	15	60	o.r.
2000	1SG7 503-2MA80-0C.2	2978	134	95.8	96.2	96.4	96.1	0.89	0.89	0.89	0.86	6419	2.45	0.55	4.7	20	142	o.r.
2000	1SG7 504-2MA80-0A.2	2975	134	95.8	96.2	96.4	96.0	0.89	0.89	0.88	0.84	6420	2.85	0.70	5.6	15	66	o.r.
2100	1SG7 504-2MA80-0C.2	2979	140	96.0	96.3	96.5	96.1	0.90	0.90	0.90	0.86	6735	2.65	0.70	5.1	21	142	o.r.
2240	1SG7 507-2MA80-0A.2	2976	150	96.1	96.4	96.7	96.4	0.90	0.90	0.90	0.86	7189	2.85	0.70	5.8	18	78	o.r.
2360	1SG7 507-2MA80-0C.2	2979	156	96.2	96.6	96.8	96.5	0.91	0.91	0.91	0.88	7568	2.65	0.70	5.3	24	156	o.r.
2640	1SG7 508-2MA80-0C.2	2980	172	96.4	96.8	97.0	96.7	0.91	0.92	0.92	0.88	8462	2.75	0.75	5.7	27	164	o.r.
2500	1SG7 508-2MA80-0A.2	2975	164	96.3	96.7	97.0	96.8	0.91	0.91	0.91	0.88	8026	2.75	0.80	5.7	20	84	o.r.
2950	1SG7 562-2MA80-0CC2	2986	194	96.3	96.3	96.1	95.2	0.91	0.91	0.89	0.84	9437	2.95	0.80	6.0	41	230	o.r.
3300	1SG7 563-2MA80-0CC2	2984	215	96.4	96.5	96.4	95.8	0.91	0.91	0.90	0.86	10565	2.55	0.65	5.9	44	260	o.r.
3750	1SG7 564-2MA80-0CC2	2986	245	96.3	96.3	96.0	95.1	0.92	0.91	0.90	0.85	11996	2.95	0.75	6.0	47	265	o.r.
4250	1SG7 567-2MA80-0CC2	2985	275	96.6	96.5	96.4	95.7	0.92	0.92	0.91	0.87	13600	2.75	0.70	5.7	52	295	o.r.
4600	1SG7 568-2MA80-0CC2	2987	300	96.8	96.7	96.5	95.8	0.93	0.92	0.91	0.86	14709	3.10	0.75	6.4	58	320	o.r.
5100	1SG8 633-2MA80-0CJ0	2981	345	96.1	96.5	96.3	95.5	0.86	0.89	0.90	0.89	16337	2.00	0.55	4.7	82	280	o.r.
5600	1SG8 634-2MA80-0CJ2	2983	370	96.4	96.7	96.5	95.6	0.88	0.90	0.90	0.90	17927	2.15	0.60	5.1	90	290	o.r.
6200	1SG8 637-2MA80-0CJ0	2984	405	96.6	96.9	96.6	95.8	0.89	0.91	0.91	0.90	19841	2.35	0.65	5.6	99	300	o.r.
6850	1SG8 638-2MA80-0CJ0	2985	450	96.8	97.1	96.8	96.1	0.89	0.91	0.91	0.90	21914	2.40	0.60	5.7	107	310	o.r.
7150	1SG8 712-2MA80-0CJ0	2988	475	96.4	96.5	96.2	95.1	0.87	0.90	0.89	0.88	22851	2.20	0.50	5.2	149	250	o.r.
8050	1SG8 713-2MA80-0CJ0	2987	530	96.7	96.8	96.5	95.6	0.89	0.91	0.90	0.89	25735	2.20	0.60	5.2	160	220	o.r.
8250	1SG8 714-2MA80-0CJ0	2988	540	96.8	96.9	96.6	95.7	0.88	0.91	0.91	0.89	26366	2.15	0.55	5.1	172	260	o.r.
9050	1SG8 716-2MA80-0CJ0	2988	590	96.9	97.1	96.8	96.0	0.88	0.91	0.91	0.89	28923	2.15	0.50	5.1	184	270	o.r.
9700	1SG8 717-2MA80-0CJ0	2988	630	97.0	97.2	96.9	96.1	0.89	0.91	0.91	0.89	31000	2.20	0.50	5.3	199	280	o.r.
10000	1SG8 718-2MA80-0CJ2	2989	640	97.2	97.3	97.0	96.2	0.90	0.92	0.91	0.90	31948	2.45	0.60	5.9	217	310	o.r.
4-pole: n_{sync} = 1500 rpm at 50 Hz																		
1220	1SG7 453-4MA80-0A.2	1485	84	94.9	95.5	95.6	95.3	0.88	0.88	0.86	0.79	7849	2.70	0.80	6.0	17	320	o.r.
1260	1SG7 453-4MA80-0C.2	1488	86	95.1	95.7	95.9	95.5	0.87	0.88	0.86	0.80	8094	2.50	0.60	5.5	23	350	o.r.
1300	1SG7 454-4MA80-0A.2	1485	88	95.1	95.7	95.8	95.4	0.89	0.89	0.86	0.79	8359	2.85	0.80	6.2	19	375	o.r.
1400	1SG7 454-4MA80-0C.2	1488	95	95.2	95.8	96.0	95.7	0.88	0.89	0.87	0.82	8991	2.50	0.60	5.5	26	360	o.r.

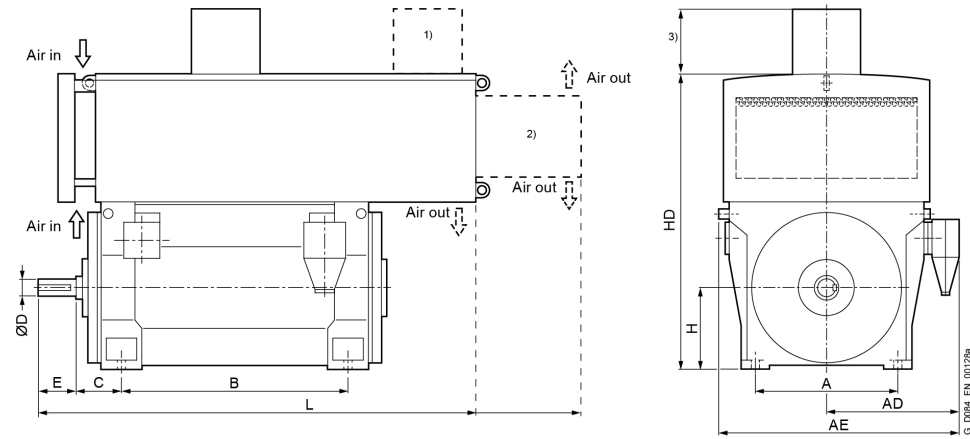
Innomotics HV M - 1SG. IC666 10000 V / 50 Hz B3 (IM 1001)																		
Rated power IEC	Article No.	Speed	Rated current I_R	Efficiency				Power factor				Torque T_R	Breakdown torque T_B/ T_R	Locked torque T_{LR}/ T_R	rotor Locked current I_{LR}/ I_R	Inertia		
				5/4 load	4/4 load	3/4 load	2/4 load	5/4 load	4/4 load	3/4 load	2/4 load					motor	external	Startup max T/TR
kW		rpm	A	%	%	%	%	$\cos \varphi$	$\cos \varphi$	$\cos \varphi$	$\cos \varphi$	Nm	[-]	[-]	[-]	kgm ²	kgm ²	[-]
1650	1SG7 457-4MA80-0C.2	1488	112	95.7	96.2	96.4	96.1	0.89	0.89	0.88	0.83	10592	2.55	0.60	5.8	30	580	o.r.
1480	1SG7 457-4MA80-0A.2	1485	99	95.2	95.9	96.1	96.0	0.89	0.90	0.89	0.85	9526	2.60	0.80	6.2	22	425	o.r.
1800	1SG7 458-4MA80-0C.2	1489	122	95.9	96.3	96.4	96.1	0.89	0.89	0.87	0.81	11546	2.80	0.65	6.0	33	615	o.r.
1620	1SG7 458-4MA80-0A.2	1485	108	95.5	96.1	96.3	96.2	0.90	0.90	0.89	0.85	10422	2.70	0.85	6.5	24	460	o.r.
1940	1SG7 503-4MA80-0A.2	1487	130	95.6	96.1	96.5	96.2	0.88	0.89	0.88	0.85	12475	2.40	0.80	5.3	37	630	o.r.
1960	1SG7 503-4MA80-0C.2	1488	132	95.7	96.2	96.5	96.2	0.88	0.89	0.89	0.86	12592	2.35	0.60	4.9	45	605	o.r.
2140	1SG7 504-4MA80-0C.2	1491	146	96.0	96.4	96.5	95.9	0.88	0.88	0.86	0.79	13718	2.65	0.65	5.6	50	670	o.r.
2000	1SG7 504-4MA80-0A.2	1486	134	95.7	96.2	96.5	96.3	0.88	0.90	0.90	0.87	12860	2.45	0.90	5.5	40	625	o.r.
2330	1SG7 507-4MA80-0C.2	1490	158	96.1	96.5	96.7	96.2	0.87	0.88	0.87	0.82	14943	2.45	0.55	5.2	55	745	o.r.
2260	1SG7 507-4MA80-0A.2	1487	152	95.8	96.4	96.7	96.5	0.88	0.89	0.90	0.87	14533	2.40	0.85	5.5	46	765	o.r.
2530	1SG7 508-4MA80-0C.2	1491	170	96.3	96.7	96.8	96.4	0.89	0.89	0.89	0.84	16215	2.80	0.75	6.0	62	815	o.r.
2520	1SG7 508-4MA80-0A.2	1488	170	96.1	96.6	96.8	96.5	0.89	0.89	0.89	0.85	16185	2.70	1.00	6.2	50	800	o.r.
2800	1SG7 563-4MA80-0C.2	1492	188	96.5	96.7	97.0	96.6	0.88	0.89	0.87	0.83	17937	2.45	0.65	6.0	80	825	o.r.
3350	1SG7 564-4MA80-0C.2	1491	224	96.5	96.9	97.1	96.9	0.88	0.89	0.89	0.86	21478	2.25	0.60	5.4	90	945	o.r.
3600	1SG7 566-4MA80-0C.2	1492	238	96.7	97.0	97.2	96.9	0.89	0.90	0.89	0.86	23062	2.50	0.75	6.1	100	975	o.r.
4150	1SG7 567-4MA80-0C.2	1491	274	96.8	97.1	97.4	97.1	0.89	0.90	0.90	0.86	26587	2.50	0.75	6.1	110	995	o.r.
4500	1SG7 568-4MA80-0C.2	1492	300	97.0	97.2	97.4	97.1	0.90	0.89	0.89	0.84	28809	2.60	0.75	6.4	119	1015	o.r.
5050	1SG8 633-4MA80-0C.0	1492	340	96.5	96.8	96.7	96.1	0.88	0.89	0.87	0.82	32322	2.50	0.60	5.9	151	780	o.r.
5600	1SG8 634-4MA80-0C.2	1492	370	96.7	96.9	96.9	96.3	0.89	0.90	0.88	0.84	35842	2.50	0.60	6.0	166	1060	o.r.
6150	1SG8 637-4MA80-0C.0	1492	410	96.8	97.1	97.0	96.4	0.88	0.89	0.87	0.81	39362	2.60	0.55	6.0	181	950	o.r.
6750	1SG8 638-4MA80-0C.0	1492	450	97.0	97.2	97.1	96.6	0.88	0.89	0.87	0.81	43202	2.45	0.50	6.0	196	1060	o.r.
7050	1SG8 712-4MA80-0C.0	1491	465	96.7	97.1	97.2	96.8	0.88	0.90	0.90	0.88	45153	2.25	0.50	5.4	259	960	o.r.
7650	1SG8 713-4MA80-0C.0	1492	500	96.9	97.3	97.3	96.9	0.89	0.91	0.90	0.88	48963	2.40	0.50	5.7	284	1040	o.r.
8350	1SG8 714-4MA80-0C.0	1492	540	97.0	97.4	97.4	97.0	0.90	0.91	0.91	0.88	53443	2.50	0.55	6.0	312	1120	o.r.
9250	1SG8 717-4MA80-0C.0	1492	600	97.2	97.5	97.5	97.1	0.90	0.91	0.91	0.88	59203	2.55	0.55	6.0	345	1260	o.r.
9450	1SG8 718-4MA80-0C.0	1493	610	97.2	97.5	97.5	97.1	0.90	0.91	0.90	0.87	60443	2.60	0.50	6.0	362	1450	o.r.
6-pole: n_{sync} = 1000 rpm at 50 Hz																		
860	1SG7 452-6MA80-0A.2	990	61	94.3	95.1	95.3	95.1	0.85	0.85	0.81	0.72	8298	2.35	0.80	5.4	20	510	o.r.
880	1SG7 452-6MA80-0C.2	990	62	94.1	95.0	95.3	95.2	0.85	0.86	0.83	0.75	8492	2.35	0.65	5.0	27	645	o.r.
930	1SG7 453-6MA80-0A.0	990	66	94.4	95.1	95.4	95.2	0.85	0.85	0.82	0.73	8973	2.40	0.80	5.7	22	525	o.r.
950	1SG7 453-6MA80-0C.0	990	67	94.3	95.1	95.4	95.3	0.85	0.86	0.83	0.76	9169	2.40	0.65	5.2	30	650	o.r.
1010	1SG7 454-6MA80-0A.2	990	71	94.5	95.3	95.6	95.4	0.85	0.86	0.83	0.74	9744	2.50	0.85	5.7	24	600	o.r.
1020	1SG7 454-6MA80-0C.2	990	72	94.5	95.3	95.6	95.5	0.86	0.86	0.84	0.76	9843	2.50	0.70	5.4	33	770	o.r.
1120	1SG7 457-6MA80-0A.2	990	78	94.8	95.5	95.8	95.7	0.86	0.87	0.84	0.76	10806	2.50	0.85	5.5	28	670	o.r.
1120	1SG7 457-6MA80-0C.2	990	78	94.8	95.5	95.8	95.7	0.86	0.87	0.85	0.78	10807	2.50	0.70	5.5	36	880	o.r.
1250	1SG7 458-6MA80-0A.2	990	87	94.9	95.6	96.0	96.0	0.87	0.87	0.85	0.78	12062	2.50	0.85	5.5	31	690	o.r.
1250	1SG7 458-6MA80-0C.2	990	87	94.9	95.6	96.0	95.9	0.87	0.87	0.85	0.79	12063	2.50	0.70	5.5	41	895	o.r.

Innomotics HV M - 1SG. IC666 10000 V / 50 Hz B3 (IM 1001)																			
Rated power IEC	Article No.	Speed	Rated current I_R	Efficiency				Power factor				Torque T_R	Breakdown torque T_B/ T_R	Locked rotor torque T_{LR}/ T_R	Locked rotor current I_{LR}/ I_R	Inertia			
				5/4 load	4/4 load	3/4 load	2/4 load	5/4 load	4/4 load	3/4 load	2/4 load					motor	external	Startup max T/TR	
kW		rpm	A	%	%	%	%	$\cos \varphi$	$\cos \varphi$	$\cos \varphi$	$\cos \varphi$	Nm	[-]	[-]	[-]	kgm ²	kgm ²	[-]	
1550	1SG7 503-6MA80-0A.2	991	97	95.1	96.0	96.3	96.2	0.85	0.86	0.86	0.81	14955	2.15	0.80	4.6	46	1080	o.r.	
1700	1SG7 504-6MA80-0A.2	991	110	95.4	96.1	96.4	96.4	0.86	0.86	0.85	0.80	16390	2.30	0.90	5.0	51	1280	o.r.	
1950	1SG7 507-6MA80-0A.2	991	124	95.7	96.2	96.6	96.5	0.86	0.86	0.85	0.79	18794	2.40	0.95	5.2	58	1560	o.r.	
2050	1SG7 508-6MA80-0A.2	991	138	95.8	96.3	96.6	96.4	0.87	0.86	0.85	0.78	19753	2.55	1.00	5.6	63	1540	o.r.	
2240	1SG7 561-6MA80-0C.2	994	156	95.9	96.2	96.4	96.0	0.85	0.86	0.81	0.75	21531	2.10	0.65	6.0	97	2095	o.r.	
2600	1SG7 562-6MA80-0C.2	993	182	95.7	96.3	96.2	95.8	0.85	0.86	0.83	0.78	25011	2.10	0.60	6.0	105	1890	o.r.	
2650	1SG7 563-6MA80-0C.2	993	184	95.8	96.4	96.5	96.2	0.85	0.86	0.86	0.82	25514	2.00	0.60	5.5	113	1725	o.r.	
3000	1SG7 564-6MA80-0C.2	994	210	96.2	96.5	96.5	96.2	0.86	0.86	0.83	0.77	28898	2.00	0.60	6.0	124	2065	o.r.	
3300	1SG7 567-6MA80-0C.2	993	230	96.3	96.6	96.8	96.5	0.86	0.86	0.85	0.80	31736	2.00	0.60	6.0	137	3135	o.r.	
3550	1SG7 568-6MA80-0C.2	994	245	96.5	96.8	96.9	96.7	0.86	0.86	0.84	0.78	34108	2.20	0.65	6.0	151	2955	o.r.	
4000	1SG8 632-6MA80-0C.2	993	280	96.1	96.5	96.6	96.0	0.85	0.86	0.83	0.75	38466	2.35	0.60	5.4	193	2320	o.r.	
4150	1SG8 633-6MA80-0C.0	993	285	96.3	96.6	96.7	96.1	0.85	0.87	0.83	0.75	39909	2.45	0.60	5.5	209	2630	o.r.	
4500	1SG8 634-6MA80-0C.2	993	310	96.4	96.7	96.8	96.3	0.86	0.87	0.84	0.77	43275	2.45	0.60	5.5	227	2870	o.r.	
4800	1SG8 637-6MA80-0C.0	993	330	96.5	96.8	96.9	96.3	0.86	0.87	0.84	0.77	46160	2.50	0.60	5.5	247	3230	o.r.	
5000	1SG8 638-6MA80-0C.2	994	340	96.6	96.9	96.9	96.3	0.86	0.87	0.83	0.74	48035	2.55	0.60	5.5	264	3730	o.r.	
5700	1SG8 712-6MA80-0C.0	994	390	96.7	97.1	97.2	96.7	0.86	0.87	0.84	0.77	54760	2.40	0.55	5.5	331	2880	o.r.	
6300	1SG8 713-6MA80-0C.2	994	430	96.9	97.2	97.3	96.9	0.86	0.87	0.85	0.79	60524	2.45	0.60	5.5	374	3260	o.r.	
6900	1SG8 714-6MA80-0C.0	994	465	97.0	97.3	97.4	97.0	0.87	0.88	0.86	0.79	66288	2.50	0.55	5.5	423	3810	o.r.	
7450	1SG8 717-6MA80-0C.0	994	500	97.0	97.4	97.5	97.2	0.87	0.88	0.87	0.82	71572	2.30	0.50	5.5	476	4530	o.r.	
8150	1SG8 718-6MA80-0C.0	995	550	97.2	97.5	97.5	97.2	0.87	0.88	0.85	0.79	78218	2.45	0.50	5.5	520	5150	o.r.	
8-pole: n_{sync} = 750 rpm at 50 Hz																			
580	1SG7 451-8MA80-0A.0	741	44	93.4	94.4	94.8	94.6	0.81	0.81	0.75	0.64	7472	2.05	0.70	5.3	23	600	o.r.	
630	1SG7 452-8MA80-0A.0	741	47	93.4	94.5	94.9	94.8	0.82	0.82	0.77	0.66	8115	2.10	0.70	5.5	25	610	o.r.	
720	1SG7 453-8MA80-0A.2	742	54	94.1	95.0	95.3	95.1	0.81	0.81	0.75	0.64	9272	2.25	0.75	5.5	28	940	o.r.	
820	1SG7 454-8MA80-0A.2	743	63	94.6	95.3	95.4	95.2	0.81	0.79	0.72	0.58	10545	2.45	0.85	5.4	31	1300	o.r.	
900	1SG7 457-8MA80-0A.2	743	68	94.7	95.4	95.6	95.4	0.81	0.80	0.73	0.60	11574	2.50	0.85	5.5	35	1400	o.r.	
1000	1SG7 458-8MA80-0A.2	743	76	94.8	95.5	95.7	95.4	0.82	0.80	0.74	0.61	12861	2.55	0.85	5.5	39	1430	o.r.	
1120	1SG7 502-8MA80-0C.2	743	81	94.9	95.7	96.1	96.1	0.82	0.83	0.81	0.73	14406	2.15	0.55	4.1	59	2040	o.r.	
1220	1SG7 503-8MA80-0A.2	743	89	95.1	95.8	96.2	96.2	0.82	0.83	0.80	0.73	15693	2.10	0.80	4.3	51	2290	o.r.	
1250	1SG7 503-8MA80-0C.2	742	91	95.0	95.8	96.2	96.3	0.82	0.83	0.82	0.75	16095	2.10	0.55	4.0	65	2130	o.r.	
1280	1SG7 504-8MA80-0A.2	743	93	95.3	95.9	96.3	96.3	0.83	0.83	0.80	0.73	16457	2.20	0.85	4.5	56	2100	o.r.	
1300	1SG7 504-8MA80-0C.2	743	93	95.2	95.9	96.3	96.3	0.84	0.84	0.81	0.74	16722	2.25	0.60	4.3	72	2330	o.r.	
1400	1SG7 507-8MA80-0A.2	744	102	95.4	96.1	96.4	96.4	0.83	0.83	0.80	0.74	17995	2.25	0.85	4.7	63	2370	o.r.	
1480	1SG7 507-8MA80-0C.2	743	106	95.4	96.0	96.4	96.5	0.83	0.84	0.82	0.75	19039	2.20	0.65	4.3	80	2970	o.r.	
1600	1SG7 508-8MA80-0A.2	744	116	95.6	96.2	96.5	96.4	0.82	0.83	0.81	0.73	20561	2.30	0.90	4.7	69	2680	o.r.	
1620	1SG7 508-8MA80-0C.2	743	116	95.7	96.2	96.5	96.5	0.83	0.84	0.81	0.74	20824	2.35	0.65	4.5	88	3340	o.r.	
1880	1SG7 563-8MA80-0C.2	744	136	95.5	96.1	96.4	96.2	0.83	0.83	0.81	0.75	24144	2.10	0.60	4.6	124	3020	o.r.	

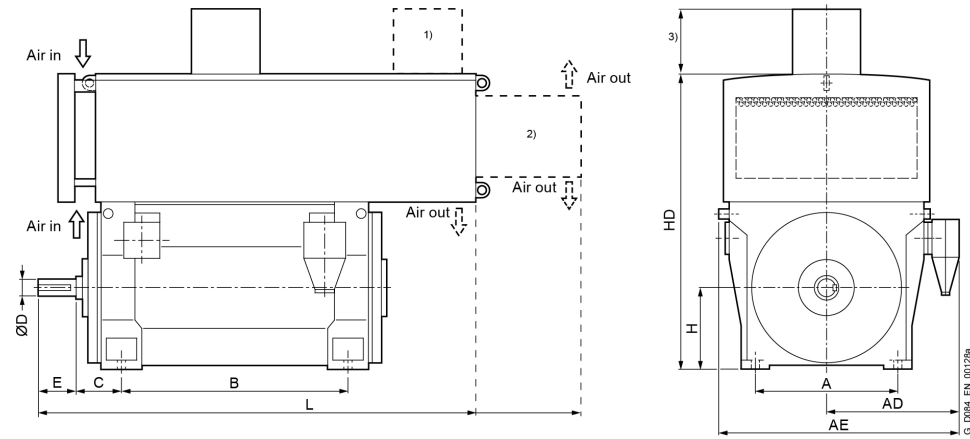
Innomotics HV M - 1SG. IC666 10000 V / 50 Hz B3 (IM 1001)																		
Rated power IEC	Article No.	Speed	Rated current I_R	Efficiency				Power factor				Torque T_R	Breakdown torque T_B/ T_R	Locked rotor torque T_{LR}/ T_R	Locked rotor current I_{LR}/ I_R	Inertia		
				5/4 load	4/4 load	3/4 load	2/4 load	5/4 load	4/4 load	3/4 load	2/4 load					motor	external	Startup max T/TR
kW		rpm	A	%	%	%	%	$\cos \varphi$	$\cos \varphi$	$\cos \varphi$	$\cos \varphi$	Nm	[-]	[-]	[-]	kgm ²	kgm ²	[-]
2080	1SG7 564-8MA80-0C.2	744	150	95.8	96.3	96.5	96.2	0.83	0.83	0.81	0.74	26711	2.20	0.65	4.9	137	3650	o.r.
2300	1SG7 567-8MA80-0C.2	744	164	95.9	96.4	96.7	96.5	0.83	0.84	0.82	0.76	29553	2.10	0.60	4.7	150	4935	o.r.
2550	1SG7 568-8MA80-0C.2	744	182	96.1	96.6	96.8	96.6	0.83	0.84	0.82	0.75	32757	2.20	0.60	4.8	165	6225	o.r.
2800	1SG8 633-8MA80-0C.2	744	198	95.4	95.9	95.9	95.4	0.85	0.85	0.81	0.72	35938	2.15	0.45	4.7	216	2980	o.r.
3250	1SG8 634-8MA80-0C.0	744	230	95.7	96.2	96.2	95.7	0.85	0.85	0.81	0.73	41714	2.20	0.50	4.8	251	4820	o.r.
3600	1SG8 637-8MA80-0C.0	745	255	96.0	96.4	96.3	95.7	0.85	0.84	0.79	0.68	46144	2.40	0.50	5.1	291	5730	o.r.
3800	1SG8 638-8MA80-0C.0	745	270	96.2	96.5	96.3	95.7	0.85	0.84	0.78	0.67	48708	2.50	0.55	5.5	324	6970	o.r.
4250	1SG8 713-8MA80-0C.0	746	275	96.3	96.7	96.7	96.3	0.87	0.87	0.83	0.74	54403	2.40	0.55	5.2	471	4400	o.r.
4800	1SG8 714-8MA80-0C.0	746	310	96.5	96.8	96.8	96.4	0.86	0.86	0.82	0.74	61443	2.40	0.50	5.1	536	4580	o.r.
5250	1SG8 717-8MA80-0C.0	746	340	96.6	97.0	97.0	96.7	0.87	0.88	0.84	0.77	67203	2.40	0.55	5.2	616	5990	o.r.
5500	1SG8 718-8MA80-0C.0	746	370	96.7	97.0	97.1	96.7	0.88	0.88	0.84	0.77	70404	2.50	0.60	5.5	680	6130	o.r.



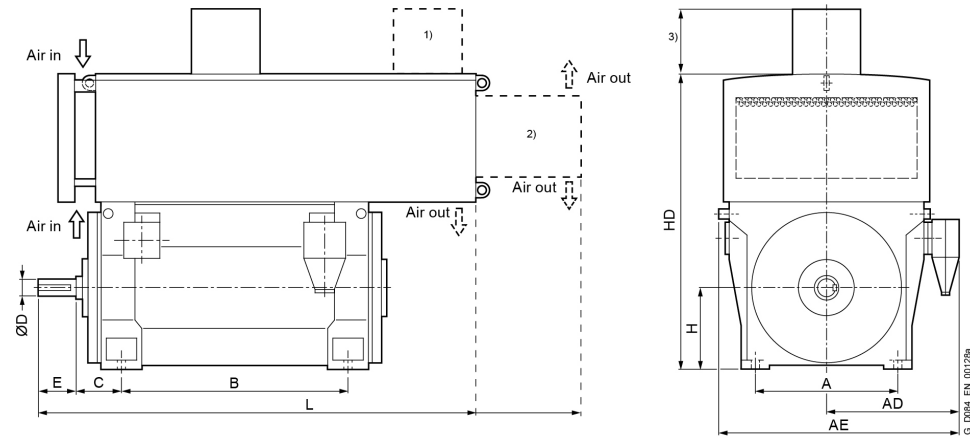
Motor type	Weight	Dimensions											
		A	AD	AE	B	C	D	E	H	HD	L	ML	
	kg	mm	mm	mm	mm	mm	mm	mm	mm	mm	mm	mm	mm
Innomotics HV M - 1SG. IC666 10000 V / 50 Hz B3 (IM 1001) - Dimension drawings													
2-pole													
1SG7 453-2MA80-0AA2	5100	850	1140	1760	1180	250	95	130	450	3160	2640	o.r.	
1SG7 453-2MA80-0AC2	5000	850	1140	1760	1180	475	95	130	450	3160	2870	o.r.	
1SG7 453-2MA80-0CA2	5250	850	1140	1760	1180	250	95	130	450	3160	2640	o.r.	
1SG7 453-2MA80-0CC2	5150	850	1140	1760	1180	475	95	130	450	3160	2870	o.r.	
1SG7 454-2MA80-0CA2	5350	850	1140	1760	1180	250	95	130	450	3160	2640	o.r.	
1SG7 454-2MA80-0CC2	5300	850	1140	1760	1180	475	95	130	450	3160	2870	o.r.	
1SG7 454-2MA80-0AA2	5250	850	1140	1760	1180	250	95	130	450	3160	2640	o.r.	
1SG7 454-2MA80-0AC2	5150	850	1140	1760	1180	475	95	130	450	3160	2870	o.r.	
1SG7 457-2MA80-0AA2	5600	850	1140	1760	1400	250	95	130	450	3160	2850	o.r.	
1SG7 457-2MA80-0AC2	5450	850	1140	1760	1400	475	95	130	450	3160	3080	o.r.	
1SG7 457-2MA80-0CA2	5700	850	1140	1760	1400	250	95	130	450	3160	2850	o.r.	
1SG7 457-2MA80-0CC2	5650	850	1140	1760	1400	475	95	130	450	3160	3080	o.r.	
1SG7 458-2MA80-0AA2	5750	850	1140	1760	1400	250	95	130	450	3160	2850	o.r.	
1SG7 458-2MA80-0AC2	5700	850	1140	1760	1400	475	95	130	450	3160	3080	o.r.	
1SG7 458-2MA80-0CA2	5950	850	1140	1760	1400	250	95	130	450	3160	2850	o.r.	
1SG7 458-2MA80-0CC2	5850	850	1140	1760	1400	475	95	130	450	3160	3080	o.r.	
1SG7 503-2MA80-0AA2	6950	950	1220	1920	1320	250	110	165	500	3370	2920	o.r.	
1SG7 503-2MA80-0AC2	6900	950	1220	1920	1320	530	120	165	500	3370	3200	o.r.	
1SG7 503-2MA80-0CA2	7100	950	1220	1920	1320	250	110	165	500	3370	2920	o.r.	
1SG7 503-2MA80-0CC2	7000	950	1220	1920	1320	530	120	165	500	3370	3200	o.r.	
1SG7 504-2MA80-0AA2	7000	950	1220	1920	1320	250	110	165	500	3370	2920	o.r.	
1SG7 504-2MA80-0AC2	6950	950	1220	1920	1320	530	120	165	500	3370	3200	o.r.	



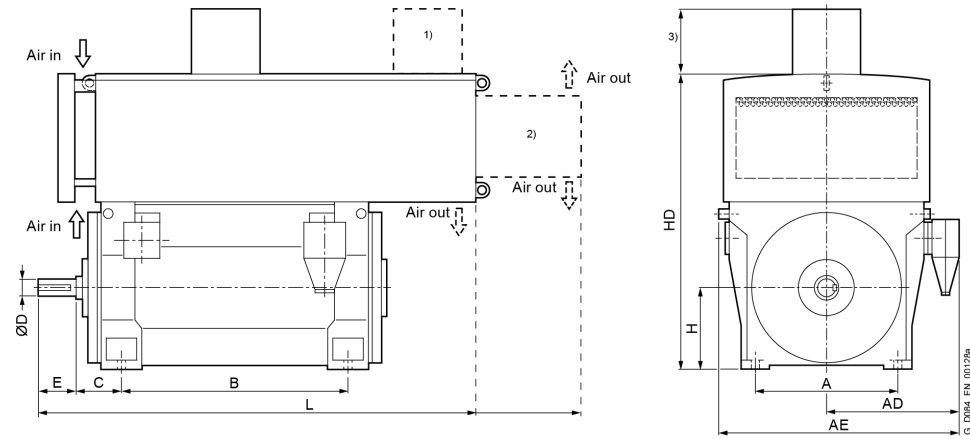
Motor type	Weight	Dimensions											
		A	AD	AE	B	C	D	E	H	HD	L	ML	
	kg	mm	mm	mm	mm	mm	mm	mm	mm	mm	mm	mm	mm
Innomotics HV M - 1SG. IC666 10000 V / 50 Hz B3 (IM 1001) - Dimension drawings													
1SG7 504-2MA80-OCA2	7150	950	1220	1920	1320	250	110	165	500	3370	2920	o.r.	
1SG7 504-2MA80-OCC2	7100	950	1220	1920	1320	530	120	165	500	3370	3200	o.r.	
1SG7 507-2MA80-OAA2	7700	950	1220	1920	1500	250	110	165	500	3370	3130	o.r.	
1SG7 507-2MA80-OAC2	7650	950	1220	1920	1500	530	120	165	500	3370	3410	o.r.	
1SG7 507-2MA80-OCA2	7850	950	1220	1920	1500	250	110	165	500	3370	3130	o.r.	
1SG7 507-2MA80-OCC2	7800	950	1220	1920	1500	530	120	165	500	3370	3410	o.r.	
1SG7 508-2MA80-OCA2	8250	950	1220	1920	1500	250	110	165	500	3370	3130	o.r.	
1SG7 508-2MA80-OCC2	8200	950	1220	1920	1500	530	120	165	500	3370	3410	o.r.	
1SG7 508-2MA80-OAA2	8100	950	1220	1920	1500	250	110	165	500	3370	3130	o.r.	
1SG7 508-2MA80-OAC2	8050	950	1220	1920	1500	530	120	165	500	3370	3410	o.r.	
1SG7 562-2MA80-OCC2	8600	1060	1290	2060	1400	600	150	200	560	3650	3440	o.r.	
1SG7 563-2MA80-OCC2	8900	1060	1290	2060	1400	600	150	200	560	3650	3440	o.r.	
1SG7 564-2MA80-OCC2	9150	1060	1290	2060	1400	600	150	200	560	3650	3440	o.r.	
1SG7 567-2MA80-OCC2	10050	1060	1290	2060	1600	600	150	200	560	3650	3670	o.r.	
1SG7 568-2MA80-OCC2	10600	1060	1290	2060	1600	600	150	200	560	3650	3670	o.r.	
1SG8 633-2MA80-0CJ0	11200	1320	1520	2520	1600	560	160	240	630	3210	4060	o.r.	
1SG8 634-2MA80-0CJ2	11650	1320	1520	2520	1600	560	160	240	630	3210	4060	o.r.	
1SG8 637-2MA80-0CJ0	12600	1320	1520	2520	1800	560	160	240	630	3210	4260	o.r.	
1SG8 638-2MA80-0CJ0	13200	1320	1520	2520	1800	560	160	240	630	3210	4260	o.r.	
1SG8 712-2MA80-0CJ0	14450	1500	1620	2720	2000	560	180	240	710	4240	4070	o.r.	
1SG8 713-2MA80-0CJ0	15150	1500	1620	2720	2000	560	180	240	710	4240	4070	o.r.	
1SG8 714-2MA80-0CJ0	15850	1500	1620	2720	2000	560	180	240	710	4240	4070	o.r.	
1SG8 716-2MA80-0CJ0	17000	1500	1620	2720	2240	560	180	240	710	4240	4310	o.r.	



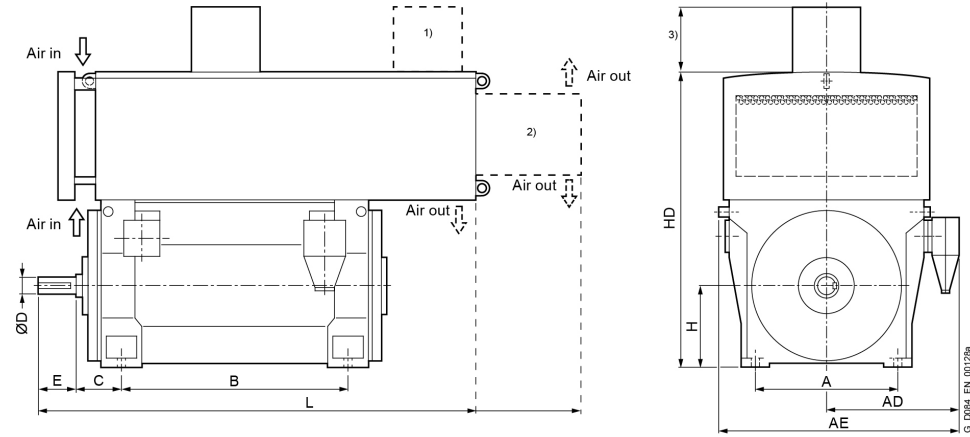
Motor type	Weight	Dimensions													
		A	AD	AE	B	C	D	E	H	HD	L	ML			
	kg	mm	mm	mm	mm	mm	mm	mm	mm	mm	mm	mm	mm	mm	
Innomotics HV M - 1SG. IC666 10000 V / 50 Hz B3 (IM 1001) - Dimension drawings															
1SG8 717-2MA80-0CJ0	17750	1500	1620	2720	2240	560	180	240	710	4240	4310	o.r.			
1SG8 718-2MA80-0CJ2	18750	1500	1620	2720	2240	560	180	240	710	4240	4310	o.r.			
4-pole															
1SG7 453-4MA80-0AA2	5100	850	1140	1760	1180	250	130	200	450	3160	2710	o.r.			
1SG7 453-4MA80-0AC2	5150	850	1140	1760	1180	500	130	200	450	3160	2960	o.r.			
1SG7 453-4MA80-0CA2	5250	850	1140	1760	1180	250	130	200	450	3160	2710	o.r.			
1SG7 453-4MA80-0CC2	5300	850	1140	1760	1180	500	130	200	450	3160	2960	o.r.			
1SG7 454-4MA80-0AA2	5250	850	1140	1760	1180	250	130	200	450	3160	2710	o.r.			
1SG7 454-4MA80-0AC2	5300	850	1140	1760	1180	500	130	200	450	3160	2960	o.r.			
1SG7 454-4MA80-0CA2	5450	850	1140	1760	1180	250	130	200	450	3160	2710	o.r.			
1SG7 454-4MA80-0CC2	5450	850	1140	1760	1180	500	130	200	450	3160	2960	o.r.			
1SG7 457-4MA80-0CA2	6050	850	1140	1760	1400	250	130	200	450	3160	2920	o.r.			
1SG7 457-4MA80-0CC2	6100	850	1140	1760	1400	500	130	200	450	3160	3170	o.r.			
1SG7 457-4MA80-0AA2	5850	850	1140	1760	1400	250	130	200	450	3160	2920	o.r.			
1SG7 457-4MA80-0AC2	5900	850	1140	1760	1400	500	130	200	450	3160	3170	o.r.			
1SG7 458-4MA80-0CA2	6300	850	1140	1760	1400	250	130	200	450	3160	2920	o.r.			
1SG7 458-4MA80-0CC2	6300	850	1140	1760	1400	500	130	200	450	3160	3170	o.r.			
1SG7 458-4MA80-0AA2	6050	850	1140	1760	1400	250	130	200	450	3160	2920	o.r.			
1SG7 458-4MA80-0AC2	6100	850	1140	1760	1400	500	130	200	450	3160	3170	o.r.			
1SG7 503-4MA80-0AA2	7200	950	1220	1920	1320	315	160	240	500	3370	3060	o.r.			
1SG7 503-4MA80-0AC2	7250	950	1220	1920	1320	560	170	240	500	3370	3300	o.r.			
1SG7 503-4MA80-0CA2	7350	950	1220	1920	1320	315	160	240	500	3370	3060	o.r.			
1SG7 503-4MA80-0CC2	7400	950	1220	1920	1320	560	170	240	500	3370	3300	o.r.			



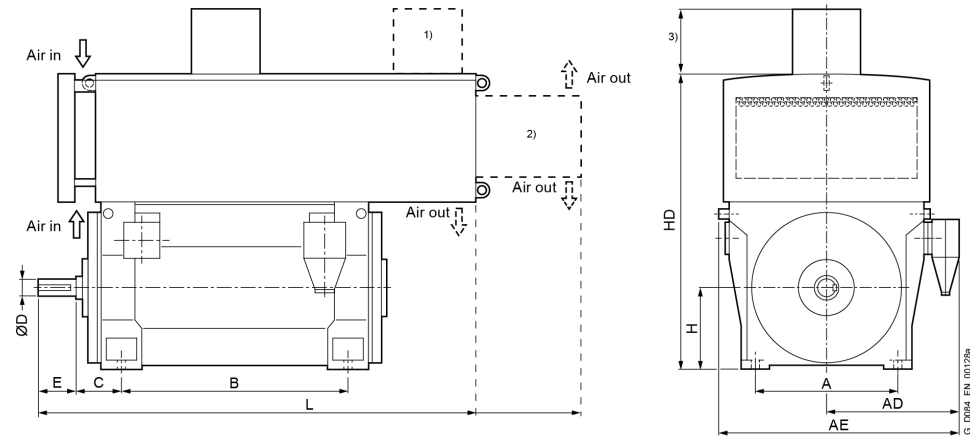
Motor type	Weight	Dimensions										
		A	AD	AE	B	C	D	E	H	HD	L	ML
	kg	mm	mm	mm	mm	mm	mm	mm	mm	mm	mm	mm
Innomotics HV M - 1SG. IC666 10000 V / 50 Hz B3 (IM 1001) - Dimension drawings												
1SG7 504-4MA80-OCA2	7600	950	1220	1920	1320	315	160	240	500	3370	3060	o.r.
1SG7 504-4MA80-OCC2	7650	950	1220	1920	1320	560	170	240	500	3370	3300	o.r.
1SG7 504-4MA80-OAA2	7450	950	1220	1920	1320	315	160	240	500	3370	3060	o.r.
1SG7 504-4MA80-OAC2	7500	950	1220	1920	1320	560	170	240	500	3370	3300	o.r.
1SG7 507-4MA80-OCA2	8300	950	1220	1920	1500	315	160	240	500	3370	3270	o.r.
1SG7 507-4MA80-OCC2	8350	950	1220	1920	1500	560	170	240	500	3370	3510	o.r.
1SG7 507-4MA80-OAA2	8100	950	1220	1920	1500	315	160	240	500	3370	3270	o.r.
1SG7 507-4MA80-OAC2	8200	950	1220	1920	1500	560	170	240	500	3370	3510	o.r.
1SG7 508-4MA80-OCA2	8650	950	1220	1920	1500	315	160	240	500	3370	3270	o.r.
1SG7 508-4MA80-OCC2	8700	950	1220	1920	1500	560	170	240	500	3370	3510	o.r.
1SG7 508-4MA80-OAA2	8450	950	1220	1920	1500	315	160	240	500	3370	3270	o.r.
1SG7 508-4MA80-OAC2	8550	950	1220	1920	1500	560	170	240	500	3370	3510	o.r.
1SG7 563-4MA80-OCA2	8900	1060	1290	2060	1400	335	190	280	560	3650	3250	o.r.
1SG7 563-4MA80-OCC2	9000	1060	1290	2060	1400	600	190	280	560	3650	3520	o.r.
1SG7 564-4MA80-OCA2	9400	1060	1290	2060	1400	335	190	280	560	3650	3250	o.r.
1SG7 564-4MA80-OCC2	9450	1060	1290	2060	1400	600	190	280	560	3650	3520	o.r.
1SG7 566-4MA80-OCA2	10200	1060	1290	2060	1600	335	190	280	560	3650	3480	o.r.
1SG7 566-4MA80-OCC2	10300	1060	1290	2060	1600	600	190	280	560	3650	3750	o.r.
1SG7 567-4MA80-OCA2	10700	1060	1290	2060	1600	335	190	280	560	3650	3480	o.r.
1SG7 567-4MA80-OCC2	10800	1060	1290	2060	1600	600	190	280	560	3650	3750	o.r.
1SG7 568-4MA80-OCA2	11150	1060	1290	2060	1600	335	190	280	560	3650	3480	o.r.
1SG7 568-4MA80-OCC2	11200	1060	1290	2060	1600	600	190	280	560	3650	3750	o.r.
1SG8 633-4MA80-OCG0	11850	1320	1520	2520	1600	375	200	280	630	3210	3920	o.r.



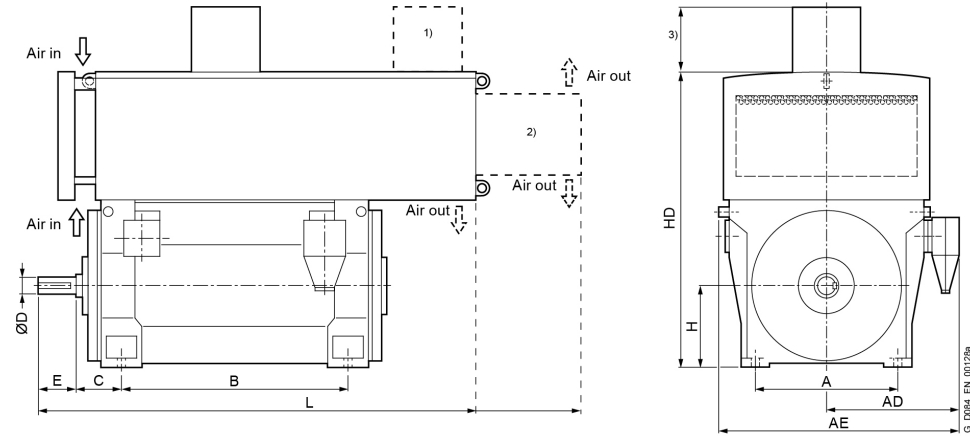
Motor type	Weight	Dimensions												
		A	AD	AE	B	C	D	E	H	HD	L	ML		
	kg	mm	mm	mm	mm	mm	mm	mm	mm	mm	mm	mm	mm	
Innomotics HV M - 1SG. IC666 10000 V / 50 Hz B3 (IM 1001) - Dimension drawings														
1SG8 633-4MA80-0CJ0	11950	1320	1520	2520	1600	630	200	280	630	3210	4170	o.r.		
1SG8 634-4MA80-0CG2	12400	1320	1520	2520	1600	375	200	280	630	3210	3920	o.r.		
1SG8 634-4MA80-0CJ2	12500	1320	1520	2520	1600	630	200	280	630	3210	4170	o.r.		
1SG8 637-4MA80-0CG0	13350	1320	1520	2520	1800	375	200	280	630	3210	4120	o.r.		
1SG8 637-4MA80-0CJ0	13450	1320	1520	2520	1800	630	200	280	630	3210	4370	o.r.		
1SG8 638-4MA80-0CG0	13950	1320	1520	2520	1800	375	200	280	630	3210	4120	o.r.		
1SG8 638-4MA80-0CJ0	14050	1320	1520	2520	1800	630	200	280	630	3210	4370	o.r.		
1SG8 712-4MA80-0CG0	15600	1500	1620	2720	2000	375	220	280	710	4240	3920	o.r.		
1SG8 712-4MA80-0CJ0	15700	1500	1620	2720	2000	630	220	280	710	4240	4180	o.r.		
1SG8 713-4MA80-0CG0	16300	1500	1620	2720	2000	375	220	280	710	4240	3920	o.r.		
1SG8 713-4MA80-0CJ0	16400	1500	1620	2720	2000	630	220	280	710	4240	4180	o.r.		
1SG8 714-4MA80-0CG0	17050	1500	1620	2720	2000	375	220	280	710	4240	3920	o.r.		
1SG8 714-4MA80-0CJ0	17150	1500	1620	2720	2000	630	220	280	710	4240	4180	o.r.		
1SG8 717-4MA80-0CG0	18450	1500	1620	2720	2240	375	220	280	710	4240	4160	o.r.		
1SG8 717-4MA80-0CJ0	18550	1500	1620	2720	2240	630	220	280	710	4240	4420	o.r.		
1SG8 718-4MA80-0CG0	18900	1500	1620	2720	2240	375	220	280	710	4240	4160	o.r.		
1SG8 718-4MA80-0CJ0	19050	1500	1620	2720	2240	630	220	280	710	4240	4420	o.r.		
6-pole														
1SG7 452-6MA80-0AA2	4950	850	1140	1760	1180	250	130	200	450	3160	2710	o.r.		
1SG7 452-6MA80-0AC2	5000	850	1140	1760	1180	500	130	200	450	3160	2960	o.r.		
1SG7 452-6MA80-0CA2	5100	850	1140	1760	1180	250	130	200	450	3160	2710	o.r.		
1SG7 452-6MA80-0CC2	5150	850	1140	1760	1180	500	130	200	450	3160	2960	o.r.		
1SG7 453-6MA80-0AA0	5100	850	1140	1760	1180	250	130	200	450	3160	2710	o.r.		



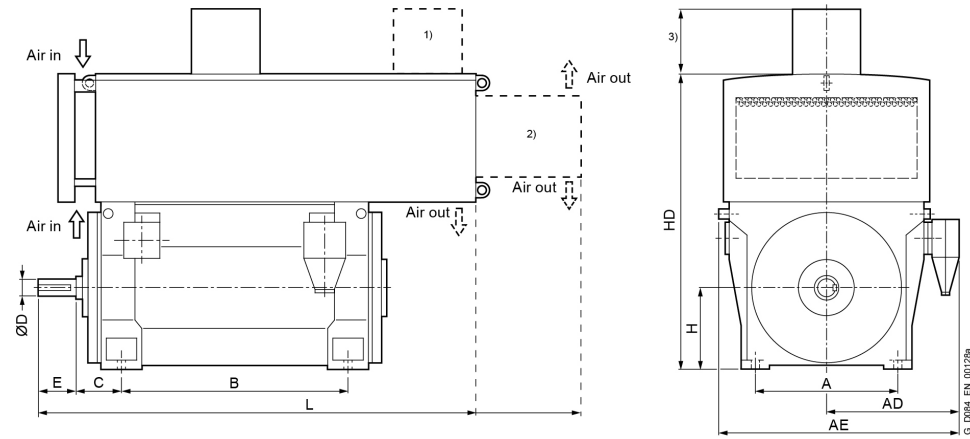
Motor type	Weight	Dimensions											
		A	AD	AE	B	C	D	E	H	HD	L	ML	
	kg	mm	mm	mm	mm	mm	mm	mm	mm	mm	mm	mm	mm
Innomotics HV M - 1SG. IC666 10000 V / 50 Hz B3 (IM 1001) - Dimension drawings													
1SG7 453-6MA80-0AC0	5150	850	1140	1760	1180	500	130	200	450	3160	2960	o.r.	
1SG7 453-6MA80-0CA0	5250	850	1140	1760	1180	250	130	200	450	3160	2710	o.r.	
1SG7 453-6MA80-0CC0	5300	850	1140	1760	1180	500	130	200	450	3160	2960	o.r.	
1SG7 454-6MA80-0AA2	5300	850	1140	1760	1180	250	130	200	450	3160	2710	o.r.	
1SG7 454-6MA80-0AC2	5300	850	1140	1760	1180	500	130	200	450	3160	2960	o.r.	
1SG7 454-6MA80-0CA2	5450	850	1140	1760	1180	250	130	200	450	3160	2710	o.r.	
1SG7 454-6MA80-0CC2	5500	850	1140	1760	1180	500	130	200	450	3160	2960	o.r.	
1SG7 457-6MA80-0AA2	5750	850	1140	1760	1400	250	130	200	450	3160	2920	o.r.	
1SG7 457-6MA80-0AC2	5750	850	1140	1760	1400	500	130	200	450	3160	3170	o.r.	
1SG7 457-6MA80-0CA2	5900	850	1140	1760	1400	250	130	200	450	3160	2920	o.r.	
1SG7 457-6MA80-0CC2	5950	850	1140	1760	1400	500	130	200	450	3160	3170	o.r.	
1SG7 458-6MA80-0AA2	6000	850	1140	1760	1400	250	130	200	450	3160	2920	o.r.	
1SG7 458-6MA80-0AC2	6050	850	1140	1760	1400	500	130	200	450	3160	3170	o.r.	
1SG7 458-6MA80-0CA2	6200	850	1140	1760	1400	250	130	200	450	3160	2920	o.r.	
1SG7 458-6MA80-0CC2	6250	850	1140	1760	1400	500	130	200	450	3160	3170	o.r.	
1SG7 503-6MA80-0AA2	7200	950	1220	1920	1320	315	160	240	500	3370	3060	o.r.	
1SG7 503-6MA80-0AC2	7250	950	1220	1920	1320	560	170	240	500	3370	3300	o.r.	
1SG7 504-6MA80-0AA2	7450	950	1220	1920	1320	315	160	240	500	3370	3060	o.r.	
1SG7 504-6MA80-0AC2	7500	950	1220	1920	1320	560	170	240	500	3370	3300	o.r.	
1SG7 507-6MA80-0AA2	8200	950	1220	1920	1500	315	160	240	500	3370	3270	o.r.	
1SG7 507-6MA80-0AC2	8250	950	1220	1920	1500	560	170	240	500	3370	3510	o.r.	
1SG7 508-6MA80-0AA2	8450	950	1220	1920	1500	315	160	240	500	3370	3270	o.r.	
1SG7 508-6MA80-0AC2	8550	950	1220	1920	1500	560	170	240	500	3370	3510	o.r.	



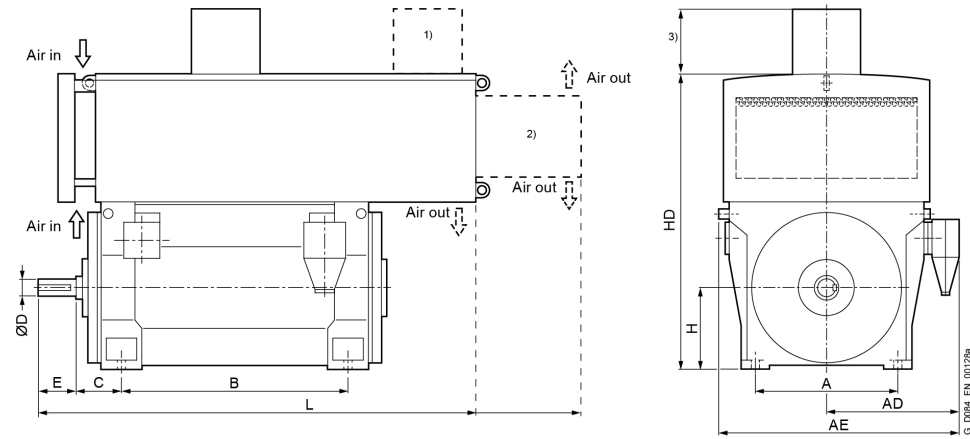
Motor type	Weight	Dimensions										
		A	AD	AE	B	C	D	E	H	HD	L	ML
	kg	mm	mm	mm	mm	mm	mm	mm	mm	mm	mm	mm
Innomotics HV M - 1SG. IC666 10000 V / 50 Hz B3 (IM 1001) - Dimension drawings												
1SG7 561-6MA80-OCA2	9000	1060	1290	2060	1400	335	190	280	560	3650	3250	o.r.
1SG7 561-6MA80-OCC2	9050	1060	1290	2060	1400	600	190	280	560	3650	3520	o.r.
1SG7 562-6MA80-OCA2	9300	1060	1290	2060	1400	335	190	280	560	3650	3250	o.r.
1SG7 562-6MA80-OCC2	9350	1060	1290	2060	1400	600	190	280	560	3650	3520	o.r.
1SG7 563-6MA80-OCA2	9550	1060	1290	2060	1400	335	190	280	560	3650	3250	o.r.
1SG7 563-6MA80-OCC2	9650	1060	1290	2060	1400	600	190	280	560	3650	3520	o.r.
1SG7 564-6MA80-OCA2	9950	1060	1290	2060	1400	335	190	280	560	3650	3250	o.r.
1SG7 564-6MA80-OCC2	10050	1060	1290	2060	1400	600	190	280	560	3650	3520	o.r.
1SG7 567-6MA80-OCA2	10850	1060	1290	2060	1600	335	190	280	560	3650	3480	o.r.
1SG7 567-6MA80-OCC2	10900	1060	1290	2060	1600	600	190	280	560	3650	3750	o.r.
1SG7 568-6MA80-OCA2	11400	1060	1290	2060	1600	335	190	280	560	3650	3480	o.r.
1SG7 568-6MA80-OCC2	11500	1060	1290	2060	1600	600	190	280	560	3650	3750	o.r.
1SG8 632-6MA80-OCG2	11800	1320	1520	2520	1600	375	200	280	630	3210	3920	o.r.
1SG8 632-6MA80-OCJ2	11900	1320	1520	2520	1600	630	200	280	630	3210	4170	o.r.
1SG8 633-6MA80-OCG0	12200	1320	1520	2520	1600	375	200	280	630	3210	3920	o.r.
1SG8 633-6MA80-OCJ0	12350	1320	1520	2520	1600	630	200	280	630	3210	4170	o.r.
1SG8 634-6MA80-OCG2	12750	1320	1520	2520	1600	375	200	280	630	3210	3920	o.r.
1SG8 634-6MA80-OCJ2	12850	1320	1520	2520	1600	630	200	280	630	3210	4170	o.r.
1SG8 637-6MA80-OCG0	13550	1320	1520	2520	1800	375	200	280	630	3210	4120	o.r.
1SG8 637-6MA80-OCJ0	13700	1320	1520	2520	1800	630	200	280	630	3210	4370	o.r.
1SG8 638-6MA80-OCG2	14100	1320	1520	2520	1800	375	200	280	630	3210	4120	o.r.
1SG8 638-6MA80-OCJ2	14200	1320	1520	2520	1800	630	200	280	630	3210	4370	o.r.
1SG8 712-6MA80-OCG0	15550	1500	1620	2720	2000	375	220	280	710	4240	3920	o.r.



Motor type	Weight	Dimensions										
		A	AD	AE	B	C	D	E	H	HD	L	ML
	kg	mm	mm	mm	mm	mm	mm	mm	mm	mm	mm	mm
Innomotics HV M - 1SG. IC666 10000 V / 50 Hz B3 (IM 1001) - Dimension drawings												
1SG8 712-6MA80-0CJ0	15700	1500	1620	2720	2000	630	220	280	710	4240	4180	o.r.
1SG8 713-6MA80-0CG2	16500	1500	1620	2720	2000	375	220	280	710	4240	3920	o.r.
1SG8 713-6MA80-0CJ2	16650	1500	1620	2720	2000	630	220	280	710	4240	4180	o.r.
1SG8 714-6MA80-0CG0	17550	1500	1620	2720	2000	375	220	280	710	4240	3920	o.r.
1SG8 714-6MA80-0CJ0	17650	1500	1620	2720	2000	630	220	280	710	4240	4180	o.r.
1SG8 717-6MA80-0CG0	19100	1500	1620	2720	2240	375	220	280	710	4240	4160	o.r.
1SG8 717-6MA80-0CJ0	19250	1500	1620	2720	2240	630	220	280	710	4240	4420	o.r.
1SG8 718-6MA80-0CG0	20150	1500	1620	2720	2240	375	220	280	710	4240	4160	o.r.
1SG8 718-6MA80-0CJ0	20300	1500	1620	2720	2240	630	220	280	710	4240	4420	o.r.
8-pole												
1SG7 451-8MA80-0AA0	4950	850	1140	1760	1180	250	130	200	450	3160	2710	o.r.
1SG7 451-8MA80-0AC0	4950	850	1140	1760	1180	500	130	200	450	3160	2960	o.r.
1SG7 452-8MA80-0AA0	5050	850	1140	1760	1180	250	130	200	450	3160	2710	o.r.
1SG7 452-8MA80-0AC0	5100	850	1140	1760	1180	500	130	200	450	3160	2960	o.r.
1SG7 453-8MA80-0AA2	5300	850	1140	1760	1180	250	130	200	450	3160	2710	o.r.
1SG7 453-8MA80-0AC2	5350	850	1140	1760	1180	500	130	200	450	3160	2960	o.r.
1SG7 454-8MA80-0AA2	5550	850	1140	1760	1180	250	130	200	450	3160	2710	o.r.
1SG7 454-8MA80-0AC2	5550	850	1140	1760	1180	500	130	200	450	3160	2960	o.r.
1SG7 457-8MA80-0AA2	6050	850	1140	1760	1400	250	130	200	450	3160	2920	o.r.
1SG7 457-8MA80-0AC2	6050	850	1140	1760	1400	500	130	200	450	3160	3170	o.r.
1SG7 458-8MA80-0AA2	6300	850	1140	1760	1400	250	130	200	450	3160	2920	o.r.
1SG7 458-8MA80-0AC2	6300	850	1140	1760	1400	500	130	200	450	3160	3170	o.r.
1SG7 502-8MA80-0CA2	7150	950	1220	1920	1320	315	160	240	500	3370	3060	o.r.



Motor type	Weight	Dimensions											
		A	AD	AE	B	C	D	E	H	HD	L	ML	
	kg	mm	mm	mm	mm	mm	mm	mm	mm	mm	mm	mm	mm
Innomotics HV M - 1SG. IC666 10000 V / 50 Hz B3 (IM 1001) - Dimension drawings													
1SG7 502-8MA80-0CC2	7200	950	1220	1920	1320	560	170	240	500	3370	3300	o.r.	
1SG7 503-8MA80-0AA2	7200	950	1220	1920	1320	315	160	240	500	3370	3060	o.r.	
1SG7 503-8MA80-0AC2	7250	950	1220	1920	1320	560	170	240	500	3370	3300	o.r.	
1SG7 503-8MA80-0CA2	7400	950	1220	1920	1320	315	160	240	500	3370	3060	o.r.	
1SG7 503-8MA80-0CC2	7500	950	1220	1920	1320	560	170	240	500	3370	3300	o.r.	
1SG7 504-8MA80-0AA2	7500	950	1220	1920	1320	315	160	240	500	3370	3060	o.r.	
1SG7 504-8MA80-0AC2	7550	950	1220	1920	1320	560	170	240	500	3370	3300	o.r.	
1SG7 504-8MA80-0CA2	7700	950	1220	1920	1320	315	160	240	500	3370	3060	o.r.	
1SG7 504-8MA80-0CC2	7750	950	1220	1920	1320	560	170	240	500	3370	3300	o.r.	
1SG7 507-8MA80-0AA2	8200	950	1220	1920	1500	315	160	240	500	3370	3270	o.r.	
1SG7 507-8MA80-0AC2	8250	950	1220	1920	1500	560	170	240	500	3370	3510	o.r.	
1SG7 507-8MA80-0CA2	8450	950	1220	1920	1500	315	160	240	500	3370	3270	o.r.	
1SG7 507-8MA80-0CC2	8500	950	1220	1920	1500	560	170	240	500	3370	3510	o.r.	
1SG7 508-8MA80-0AA2	8500	950	1220	1920	1500	315	160	240	500	3370	3270	o.r.	
1SG7 508-8MA80-0AC2	8550	950	1220	1920	1500	560	170	240	500	3370	3510	o.r.	
1SG7 508-8MA80-0CA2	8800	950	1220	1920	1500	315	160	240	500	3370	3270	o.r.	
1SG7 508-8MA80-0CC2	8850	950	1220	1920	1500	560	170	240	500	3370	3510	o.r.	
1SG7 563-8MA80-0CA2	9450	1060	1290	2060	1400	335	190	280	560	3650	3250	o.r.	
1SG7 563-8MA80-0CC2	9550	1060	1290	2060	1400	600	190	280	560	3650	3520	o.r.	
1SG7 564-8MA80-0CA2	9900	1060	1290	2060	1400	335	190	280	560	3650	3250	o.r.	
1SG7 564-8MA80-0CC2	10000	1060	1290	2060	1400	600	190	280	560	3650	3520	o.r.	
1SG7 567-8MA80-0CA2	10800	1060	1290	2060	1600	335	190	280	560	3650	3480	o.r.	
1SG7 567-8MA80-0CC2	10900	1060	1290	2060	1600	600	190	280	560	3650	3750	o.r.	



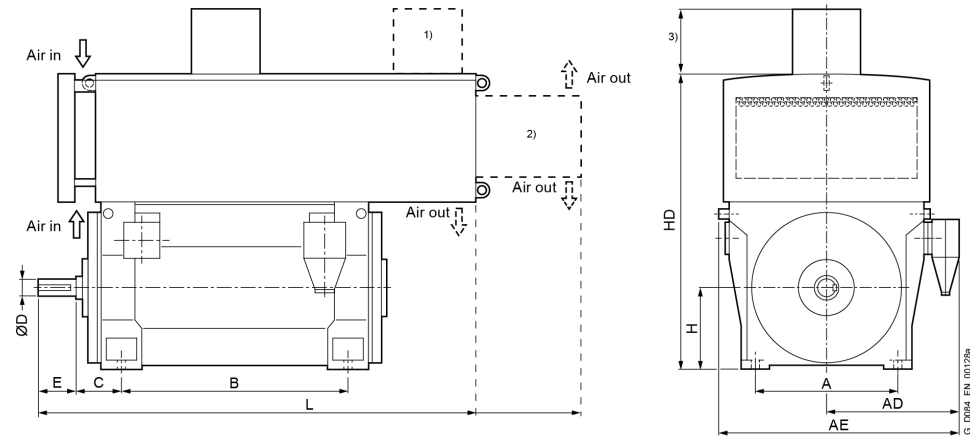
Motor type	Weight	Dimensions										
		A	AD	AE	B	C	D	E	H	HD	L	ML
	kg	mm	mm	mm	mm	mm	mm	mm	mm	mm	mm	mm
Innomotics HV M - 1SG. IC666 10000 V / 50 Hz B3 (IM 1001) - Dimension drawings												
1SG7 568-8MA80-OCA2	11300	1060	1290	2060	1600	335	190	280	560	3650	3480	o.r.
1SG7 568-8MA80-OCC2	11400	1060	1290	2060	1600	600	190	280	560	3650	3750	o.r.
1SG8 633-8MA80-OCG2	11050	1320	1520	2520	1600	375	200	280	630	3210	3920	o.r.
1SG8 633-8MA80-OCJ2	11150	1320	1520	2520	1600	630	200	280	630	3210	4170	o.r.
1SG8 634-8MA80-OCG0	11850	1320	1520	2520	1600	375	200	280	630	3210	3920	o.r.
1SG8 634-8MA80-OCJ0	12000	1320	1520	2520	1600	630	200	280	630	3210	4170	o.r.
1SG8 637-8MA80-OCG0	13050	1320	1520	2520	1800	375	200	280	630	3210	4120	o.r.
1SG8 637-8MA80-OCJ0	13150	1320	1520	2520	1800	630	200	280	630	3210	4370	o.r.
1SG8 638-8MA80-OCG0	13750	1320	1520	2520	1800	375	200	280	630	3210	4120	o.r.
1SG8 638-8MA80-OCJ0	13900	1320	1520	2520	1800	630	200	280	630	3210	4370	o.r.
1SG8 713-8MA80-OCG0	15700	1500	1620	2720	2000	375	220	280	710	4150	3920	o.r.
1SG8 713-8MA80-OCJ0	15900	1500	1620	2720	2000	630	220	280	710	4150	4180	o.r.
1SG8 714-8MA80-OCG0	16800	1500	1620	2720	2000	375	220	280	710	4150	3920	o.r.
1SG8 714-8MA80-OCJ0	17000	1500	1620	2720	2000	630	220	280	710	4150	4180	o.r.
1SG8 717-8MA80-OCG0	18550	1500	1620	2720	2240	375	220	280	710	4150	4160	o.r.
1SG8 717-8MA80-OCJ0	18700	1500	1620	2720	2240	630	220	280	710	4150	4420	o.r.
1SG8 718-8MA80-OCG0	19550	1500	1620	2720	2240	375	220	280	710	4150	4160	o.r.
1SG8 718-8MA80-OCJ0	19750	1500	1620	2720	2240	630	220	280	710	4150	4420	o.r.

Innomotics HV M - 1SG. IC666 11000 V / 50 Hz B3 (IM 1001)																			
Rated power IEC	Article No.	Speed	Rated current		Efficiency				Power factor				Torque	Breakdown torque	Locked rotor torque	Locked rotor current	Inertia		
			I_R	5/4 load	4/4 load	3/4 load	2/4 load	5/4 load	4/4 load	3/4 load	2/4 load	T_R	T_B/ T_R	T_{LR}/ T_R	I_{LR}/ I_R	motor	external	Startup max T/TR	
kW		rpm	A	%	%	%	%	cos φ	cos φ	cos φ	cos φ	Nm	[-]	[-]	[-]		kgm ²	kgm ²	[-]
2-pole: n_{sync} = 3000 rpm at 50 Hz																			
1150	1SG7 453-2MA90-0A.0	2982	73	95.1	95.5	95.3	94.3	0.86	0.86	0.83	0.74	3683	2.80	0.60	6.5	10	60	o.r.	
1150	1SG7 453-2MA90-0C.0	2983	71	95.1	95.5	95.3	94.3	0.89	0.89	0.87	0.82	3681	2.85	0.70	6.5	14	70	o.r.	
1250	1SG7 454-2MA90-0A.0	2982	78	95.2	95.7	95.6	94.9	0.88	0.88	0.86	0.81	4003	2.80	0.60	6.5	11	60	o.r.	
1250	1SG7 454-2MA90-0C.0	2983	76	95.2	95.6	95.4	94.5	0.90	0.90	0.89	0.84	4002	2.90	0.75	6.5	15	70	o.r.	
1440	1SG7 457-2MA90-0A.0	2982	90	95.4	95.8	95.7	94.8	0.88	0.88	0.84	0.77	4611	2.85	0.65	6.5	12	70	o.r.	
1450	1SG7 457-2MA90-0C.0	2983	88	95.4	95.8	95.7	94.9	0.90	0.90	0.89	0.84	4642	2.90	0.75	6.5	16	95	o.r.	
1540	1SG7 458-2MA90-0A.0	2982	93	95.6	96.1	96.1	95.5	0.90	0.90	0.89	0.85	4932	2.85	0.65	6.5	13	70	o.r.	
1600	1SG7 458-2MA90-0C.0	2983	96	95.7	96.1	96.0	95.2	0.90	0.91	0.90	0.85	5122	3.00	0.75	6.5	17	105	o.r.	
1750	1SG7 502-2MA90-0C.0	2979	108	95.5	95.8	95.9	95.4	0.88	0.88	0.87	0.82	5610	2.55	0.60	5.0	18	122	o.r.	
1950	1SG7 503-2MA90-0C.0	2979	120	95.9	96.2	96.3	95.9	0.89	0.89	0.89	0.85	6251	2.60	0.70	5.1	20	132	o.r.	
1800	1SG7 503-2MA90-0A.0	2974	110	95.6	96.0	96.2	96.0	0.89	0.89	0.89	0.85	5780	2.65	0.60	5.3	15	34	o.r.	
1900	1SG7 504-2MA90-0A.0	2975	116	95.7	96.1	96.3	96.0	0.89	0.89	0.89	0.85	6099	2.70	0.70	5.3	15	34	o.r.	
2300	1SG7 507-2MA90-0C.0	2983	138	96.3	96.5	96.6	96.1	0.90	0.90	0.89	0.84	7363	3.00	0.85	6.1	24	146	o.r.	
2150	1SG7 507-2MA90-0A.0	2976	130	96.0	96.4	96.5	96.3	0.90	0.90	0.90	0.86	6899	2.90	0.70	5.9	18	40	o.r.	
2450	1SG7 508-2MA90-0C.0	2985	146	96.5	96.7	96.7	96.3	0.91	0.91	0.90	0.84	7838	3.30	0.95	6.8	27	162	o.r.	
2350	1SG7 508-2MA90-0A.0	2976	140	96.2	96.6	96.8	96.7	0.91	0.91	0.91	0.88	7541	2.80	0.80	5.8	20	42	o.r.	
2880	1SG7 562-2MA90-0CC0	2986	176	96.1	96.2	96.0	95.3	0.89	0.89	0.87	0.82	9210	2.90	0.80	6.5	41	240	o.r.	
3070	1SG7 563-2MA90-0CC0	2986	186	96.3	96.3	96.2	95.5	0.89	0.90	0.88	0.84	9818	2.85	0.75	6.5	44	250	o.r.	
3490	1SG7 564-2MA90-0CC0	2987	215	96.1	96.2	95.8	94.9	0.89	0.89	0.86	0.79	11157	3.20	0.85	6.5	47	230	o.r.	
4000	1SG7 567-2MA90-0CC0	2986	240	96.4	96.4	96.3	95.5	0.90	0.91	0.89	0.84	12792	2.95	0.75	6.5	52	280	o.r.	
4250	1SG7 568-2MA90-0CC0	2988	255	96.6	96.5	96.4	95.6	0.91	0.91	0.89	0.83	13583	3.30	0.80	6.8	58	245	o.r.	
4400	1SG8 632-2MA90-0CJ0	2982	270	95.9	96.3	95.9	95.0	0.86	0.89	0.89	0.88	14090	2.00	0.55	4.8	75	310	o.r.	
4950	1SG8 633-2MA90-0CJ0	2982	305	96.1	96.5	96.2	95.4	0.87	0.89	0.90	0.89	15851	2.05	0.55	4.9	82	300	o.r.	
5400	1SG8 634-2MA90-0CJ0	2983	325	96.3	96.7	96.4	95.5	0.88	0.90	0.91	0.90	17287	2.20	0.60	5.2	90	300	o.r.	
6000	1SG8 637-2MA90-0CJ0	2984	355	96.5	96.9	96.6	95.8	0.89	0.91	0.91	0.90	19201	2.35	0.65	5.5	99	310	o.r.	
6500	1SG8 638-2MA90-0CJ0	2986	380	96.7	97.0	96.7	95.9	0.90	0.92	0.92	0.90	20787	2.55	0.65	6.0	107	320	o.r.	
7300	1SG8 712-2MA90-0CJ0	2988	445	96.6	96.6	96.3	95.2	0.87	0.89	0.89	0.87	23330	2.15	0.60	5.1	149	250	o.r.	
7650	1SG8 713-2MA90-0CJ0	2989	455	96.7	96.7	96.3	95.3	0.89	0.91	0.90	0.87	24440	2.45	0.70	5.8	160	240	o.r.	
8150	1SG8 714-2MA90-0CJ0	2990	485	96.8	96.8	96.4	95.4	0.90	0.91	0.90	0.87	26029	2.55	0.60	6.1	172	260	o.r.	
8950	1SG8 716-2MA90-0CJ0	2990	540	97.0	96.9	96.5	95.5	0.89	0.90	0.89	0.85	28584	2.45	0.55	5.9	183	300	o.r.	
9600	1SG8 717-2MA90-0CJ0	2989	560	97.1	97.1	96.8	96.0	0.91	0.92	0.92	0.90	30670	2.45	0.60	5.8	200	250	o.r.	
10100	1SG8 718-2MA90-0CJ0	2989	590	97.2	97.2	97.0	96.2	0.90	0.92	0.91	0.89	32268	2.35	0.50	5.7	216	310	o.r.	
4-pole: n_{sync} = 1500 rpm at 50 Hz																			
1200	1SG7 453-4MA90-0C.0	1488	76	95.0	95.6	95.6	95.1	0.87	0.87	0.83	0.74	7701	2.70	0.60	5.8	23	315	o.r.	
1180	1SG7 453-4MA90-0A.0	1485	75	94.8	95.4	95.5	95.1	0.87	0.87	0.83	0.75	7588	2.65	0.75	6.0	17	335	o.r.	
1240	1SG7 454-4MA90-0A.0	1486	78	95.0	95.6	95.6	95.1	0.88	0.87	0.82	0.73	7968	2.75	0.85	6.5	19	335	o.r.	

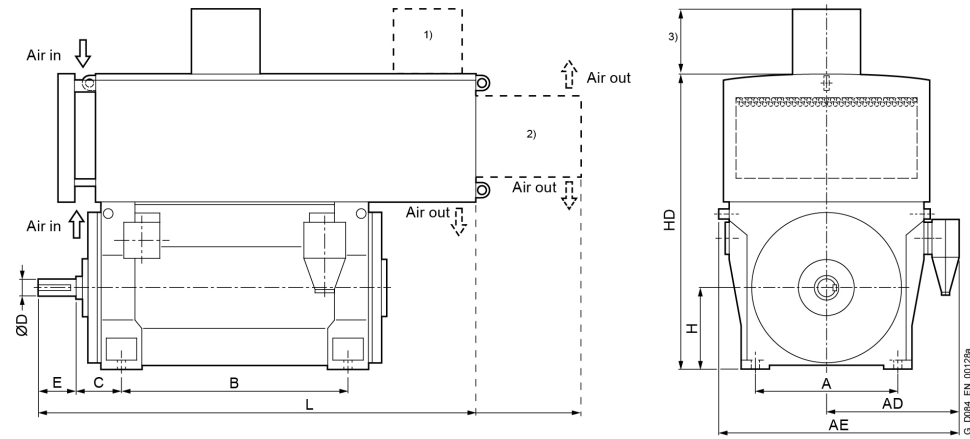
Innomotics HV M - 1SG. IC666 11000 V / 50 Hz B3 (IM 1001)																		
Rated power IEC	Article No.	Speed	Rated current I_R	Efficiency				Power factor				Torque T_R	Breakdown torque T_B/ T_R	Locked torque T_{LR}/ T_R	Locked rotor current I_{LR}/ I_R	Inertia		
				5/4 load	4/4 load	3/4 load	2/4 load	5/4 load	4/4 load	3/4 load	2/4 load					motor	external	Startup max T/TR
kW		rpm	A	%	%	%	%	cos φ	cos φ	cos φ	cos φ	Nm	[-]	[-]	[-]	kgm ²	kgm ²	[-]
1290	1SG7 454-4MA90-0C.0	1488	80	95.2	95.7	95.8	95.3	0.88	0.88	0.84	0.77	8279	2.70	0.65	6.0	25	320	o.r.
1520	1SG7 457-4MA90-0C.0	1489	94	95.6	96.1	96.1	95.6	0.89	0.88	0.85	0.77	9748	2.90	0.70	6.5	30	415	o.r.
1400	1SG7 457-4MA90-0A.0	1486	85	95.2	95.8	96.1	95.8	0.90	0.90	0.88	0.83	8997	2.75	0.85	6.5	22	420	o.r.
1670	1SG7 458-4MA90-0C.0	1489	102	95.7	96.2	96.3	95.9	0.89	0.89	0.86	0.79	10710	2.90	0.70	6.5	32	480	o.r.
1540	1SG7 458-4MA90-0A.0	1486	94	95.4	96.0	96.2	96.0	0.90	0.90	0.88	0.83	9896	2.80	0.85	6.5	24	420	o.r.
1870	1SG7 503-4MA90-0A.0	1486	114	95.6	96.1	96.5	96.2	0.89	0.89	0.89	0.85	12017	2.40	0.80	5.3	37	615	o.r.
1900	1SG7 503-4MA90-0C.0	1488	116	95.6	96.2	96.5	96.2	0.88	0.89	0.89	0.86	12193	2.40	0.60	5.0	45	570	o.r.
2100	1SG7 504-4MA90-0C.0	1491	132	96.1	96.4	96.4	95.8	0.88	0.86	0.83	0.75	13450	2.90	0.70	5.9	50	705	o.r.
1950	1SG7 504-4MA90-0A.0	1487	118	95.6	96.2	96.5	96.3	0.89	0.90	0.90	0.87	12523	2.50	0.90	5.5	40	615	o.r.
2260	1SG7 507-4MA90-0A.0	1487	136	96.0	96.5	96.7	96.5	0.90	0.90	0.89	0.85	14513	2.65	0.95	6.0	46	610	o.r.
2300	1SG7 507-4MA90-0C.0	1489	138	96.1	96.6	96.8	96.5	0.90	0.90	0.89	0.86	14750	2.65	0.70	5.5	56	760	o.r.
2500	1SG7 508-4MA90-0C.0	1490	152	96.3	96.6	96.8	96.4	0.89	0.89	0.88	0.83	16022	2.65	0.65	5.6	61	660	o.r.
2350	1SG7 508-4MA90-0A.0	1487	142	96.0	96.5	96.8	96.6	0.90	0.90	0.90	0.87	15091	2.65	0.95	6.0	50	750	o.r.
2850	1SG7 562-4MA90-0C.0	1490	176	96.2	96.6	96.9	96.6	0.87	0.88	0.87	0.83	18265	2.25	0.60	5.4	74	865	o.r.
3000	1SG7 563-4MA90-0C.0	1491	185	96.3	96.7	96.9	96.6	0.88	0.88	0.87	0.83	19214	2.40	0.65	5.8	80	915	o.r.
3350	1SG7 564-4MA90-0C.0	1491	204	96.4	96.8	97.1	96.9	0.88	0.89	0.89	0.86	21455	2.30	0.65	5.5	90	1020	o.r.
3600	1SG7 566-4MA90-0C.0	1492	216	96.6	97.0	97.2	97.0	0.89	0.90	0.89	0.86	23041	2.50	0.75	6.0	100	1125	o.r.
3960	1SG7 567-4MA90-0C.0	1492	238	96.8	97.1	97.3	97.1	0.90	0.90	0.90	0.86	25345	2.55	0.75	6.3	110	1215	o.r.
4260	1SG7 568-4MA90-0C.0	1492	256	96.9	97.2	97.4	97.2	0.90	0.90	0.89	0.85	27265	2.65	0.75	6.5	119	1325	o.r.
5000	1SG8 633-4MA90-0C.0	1492	305	96.5	96.8	96.7	96.1	0.88	0.89	0.88	0.83	32002	2.55	0.55	6.0	151	790	o.r.
5250	1SG8 634-4MA90-0C.0	1493	320	96.6	96.8	96.7	96.1	0.88	0.89	0.87	0.81	33579	2.60	0.55	6.0	165	970	o.r.
5900	1SG8 637-4MA90-0C.0	1493	355	96.8	97.0	97.0	96.4	0.89	0.90	0.88	0.83	37737	2.60	0.55	6.0	181	1000	o.r.
6500	1SG8 638-4MA90-0C.0	1493	400	96.9	97.1	97.0	96.4	0.88	0.88	0.85	0.79	41574	2.60	0.55	6.0	196	1140	o.r.
6900	1SG8 712-4MA90-0C.0	1492	415	96.7	97.1	97.1	96.7	0.89	0.90	0.90	0.87	44162	2.35	0.50	5.6	259	1000	o.r.
7400	1SG8 713-4MA90-0C.0	1492	440	96.9	97.2	97.3	96.8	0.89	0.91	0.90	0.88	47362	2.45	0.50	5.9	284	1110	o.r.
8050	1SG8 714-4MA90-0C.0	1492	475	97.0	97.3	97.4	97.0	0.90	0.91	0.91	0.88	51523	2.55	0.55	6.0	312	1200	o.r.
8700	1SG8 717-4MA90-0C.0	1493	520	97.1	97.4	97.4	97.0	0.90	0.91	0.91	0.88	55646	2.60	0.55	6.0	344	1410	o.r.
9350	1SG8 718-4MA90-0C.0	1493	560	97.2	97.5	97.5	97.0	0.89	0.90	0.89	0.84	59803	2.60	0.50	6.0	360	1540	o.r.
6-pole: $n_{sync} = 1000$ rpm at 50 Hz																		
830	1SG7 452-6MA90-0A.0	990	55	94.1	94.9	95.2	95.0	0.84	0.84	0.80	0.70	8006	2.45	0.80	5.5	20	385	o.r.
860	1SG7 452-6MA90-0C.0	990	56	93.9	94.9	95.2	95.1	0.85	0.85	0.83	0.75	8295	2.35	0.70	5.4	27	465	o.r.
900	1SG7 453-6MA90-0A.0	990	58	94.3	95.1	95.4	95.2	0.85	0.85	0.81	0.72	8681	2.45	0.85	5.5	22	395	o.r.
920	1SG7 453-6MA90-0C.0	991	59	94.3	95.1	95.3	95.2	0.85	0.86	0.82	0.74	8865	2.50	0.80	5.5	30	470	o.r.
980	1SG7 454-6MA90-0A.0	990	63	94.5	95.3	95.6	95.4	0.85	0.86	0.82	0.74	9453	2.45	0.85	5.5	24	450	o.r.
1000	1SG7 454-6MA90-0C.0	991	64	94.5	95.2	95.5	95.4	0.86	0.86	0.83	0.76	9636	2.50	0.80	5.5	33	550	o.r.
1080	1SG7 457-6MA90-0A.0	990	68	94.6	95.4	95.8	95.7	0.86	0.87	0.84	0.77	10417	2.40	0.85	5.5	28	530	o.r.
1100	1SG7 457-6MA90-0C.0	991	70	94.6	95.4	95.7	95.6	0.87	0.87	0.84	0.78	10600	2.50	0.80	5.5	36	645	o.r.

Innomotics HV M - 1SG. IC666 11000 V / 50 Hz B3 (IM 1001)																			
Rated power IEC	Article No.	Speed	Rated current		Efficiency				Power factor				Torque	Breakdown torque	Locked rotor torque	Locked rotor current	Inertia		
			I_R	5/4 load	4/4 load	3/4 load	2/4 load	5/4 load	4/4 load	3/4 load	2/4 load	T_R	T_B/ T_R	T_{LR}/ T_R	I_{LR}/ I_R	motor	external	Startup max T/TR	
kW		rpm	A	%	%	%	%	cos φ	cos φ	cos φ	cos φ	Nm	[-]	[-]	[-]		kgm ²	kgm ²	[-]
1200	1SG7 458-6MA90-0C.0	991	75	94.8	95.6	95.9	95.9	0.87	0.88	0.85	0.79	11563	2.50	0.80	5.5	41	740	o.r.	
1180	1SG7 458-6MA90-0A.0	990	74	94.8	95.6	96.0	96.0	0.87	0.87	0.85	0.79	11382	2.35	0.85	5.5	31	615	o.r.	
1400	1SG7 502-6MA90-0C.0	993	90	95.5	96.0	96.1	95.8	0.85	0.85	0.80	0.71	13463	2.65	0.85	5.4	54	1130	o.r.	
1350	1SG7 502-6MA90-0A.0	991	86	95.0	95.7	96.1	95.9	0.85	0.86	0.84	0.78	13009	2.35	0.90	5.0	42	750	o.r.	
1600	1SG7 503-6MA90-0C.0	993	102	95.6	96.2	96.3	96.0	0.85	0.85	0.81	0.72	15387	2.65	0.90	5.4	60	1250	o.r.	
1530	1SG7 503-6MA90-0A.0	991	96	95.1	95.8	96.2	96.1	0.85	0.87	0.85	0.79	14743	2.25	0.90	4.9	46	860	o.r.	
1630	1SG7 504-6MA90-0A.0	992	104	95.5	96.0	96.3	96.0	0.85	0.85	0.82	0.72	15691	2.65	1.10	5.7	51	980	o.r.	
1750	1SG7 504-6MA90-0C.0	993	112	95.8	96.3	96.4	96.1	0.85	0.85	0.81	0.72	16829	2.70	0.85	5.4	66	1400	o.r.	
1920	1SG7 507-6MA90-0C.0	994	124	96.0	96.5	96.5	96.2	0.84	0.84	0.79	0.69	18445	2.75	0.85	5.4	74	1600	o.r.	
1830	1SG7 507-6MA90-0A.0	992	114	95.6	96.1	96.5	96.3	0.86	0.87	0.85	0.78	17616	2.50	1.00	5.4	58	1150	o.r.	
2000	1SG7 508-6MA90-0A.0	992	126	95.8	96.3	96.7	96.5	0.86	0.87	0.84	0.77	19253	2.60	0.95	5.6	63	1350	o.r.	
2050	1SG7 508-6MA90-0C.0	994	128	96.0	96.6	96.7	96.5	0.87	0.87	0.84	0.78	19694	2.65	0.85	5.5	81	1800	o.r.	
2240	1SG7 561-6MA90-0C.0	993	144	95.7	96.3	96.3	96.0	0.85	0.85	0.83	0.76	21541	2.55	0.70	5.6	96	1090	o.r.	
2600	1SG7 562-6MA90-0C.0	993	166	96.0	96.5	96.5	96.2	0.84	0.85	0.83	0.75	25003	2.50	0.65	5.5	105	1450	o.r.	
2800	1SG7 564-6MA90-0C.0	993	174	96.1	96.6	96.7	96.5	0.86	0.87	0.85	0.81	26927	2.50	0.65	5.6	123	1550	o.r.	
3150	1SG7 567-6MA90-0C.0	994	198	96.3	96.8	96.8	96.5	0.86	0.86	0.84	0.77	30262	2.75	0.70	6.0	134	1790	o.r.	
3300	1SG7 568-6MA90-0C.0	995	210	96.5	96.9	96.8	96.4	0.86	0.86	0.83	0.75	31671	3.05	0.80	6.5	150	2090	o.r.	
3750	1SG8 632-6MA90-0C.0	993	235	96.1	96.5	96.5	95.8	0.85	0.86	0.82	0.73	36062	2.45	0.60	5.5	193	2610	o.r.	
4000	1SG8 633-6MA90-0C.0	994	255	96.2	96.5	96.5	95.9	0.85	0.85	0.81	0.71	38428	2.50	0.60	5.5	208	2890	o.r.	
4400	1SG8 634-6MA90-0C.0	994	280	96.4	96.7	96.7	96.1	0.85	0.86	0.82	0.74	42271	2.50	0.60	5.5	227	3060	o.r.	
4750	1SG8 637-6MA90-0C.0	994	295	96.4	96.7	96.8	96.2	0.86	0.87	0.83	0.75	45633	2.50	0.60	5.5	245	3230	o.r.	
4900	1SG8 638-6MA90-0C.0	994	310	96.5	96.8	96.8	96.2	0.86	0.86	0.82	0.73	47074	2.55	0.60	5.5	263	3890	o.r.	
5550	1SG8 712-6MA90-0C.0	994	345	96.7	97.0	97.1	96.6	0.86	0.87	0.84	0.77	53319	2.50	0.55	5.5	331	2970	o.r.	
6050	1SG8 713-6MA90-0C.0	994	375	96.8	97.2	97.2	96.8	0.86	0.87	0.85	0.79	58122	2.40	0.55	5.5	373	3500	o.r.	
6550	1SG8 714-6MA90-0C.0	995	400	96.9	97.2	97.3	96.9	0.86	0.88	0.86	0.80	62862	2.40	0.55	5.5	422	4160	o.r.	
7200	1SG8 717-6MA90-0C.0	995	440	97.0	97.3	97.4	97.0	0.87	0.88	0.86	0.80	69100	2.45	0.50	5.5	475	4860	o.r.	
7750	1SG8 718-6MA90-0C.0	995	470	97.1	97.4	97.5	97.2	0.88	0.89	0.87	0.82	74379	2.45	0.55	5.5	522	5280	o.r.	
8-pole: n _{sync} = 750 rpm at 50 Hz																			
520	1SG7 451-8MA90-0A.0	743	37	93.2	94.2	94.4	93.8	0.80	0.78	0.70	0.55	6683	2.50	0.80	5.5	23	410	o.r.	
540	1SG7 451-8MA90-0C.0	743	38	93.3	94.2	94.5	94.0	0.82	0.80	0.73	0.59	6940	2.70	0.75	5.5	30	490	o.r.	
580	1SG7 452-8MA90-0A.0	743	40	93.4	94.4	94.7	94.4	0.81	0.80	0.73	0.59	7454	2.50	0.80	5.5	25	470	o.r.	
590	1SG7 452-8MA90-0C.0	743	40	93.5	94.5	94.7	94.4	0.83	0.81	0.75	0.62	7583	2.65	0.75	5.5	32	600	o.r.	
660	1SG7 453-8MA90-0A.0	743	46	94.0	94.9	95.1	94.7	0.81	0.79	0.72	0.57	8483	2.55	0.85	5.5	28	750	o.r.	
680	1SG7 453-8MA90-0C.0	743	46	94.1	94.9	95.1	94.8	0.82	0.81	0.74	0.61	8740	2.75	0.80	5.5	36	890	o.r.	
750	1SG7 454-8MA90-0A.0	744	53	94.3	95.1	95.2	94.7	0.80	0.78	0.68	0.52	9626	2.75	0.95	5.5	31	890	o.r.	
760	1SG7 454-8MA90-0C.0	744	52	94.4	95.2	95.3	94.8	0.81	0.80	0.71	0.56	9755	2.95	0.80	5.8	40	1060	o.r.	
830	1SG7 457-8MA90-0A.0	744	58	94.5	95.2	95.4	95.0	0.81	0.79	0.71	0.57	10653	2.75	0.95	5.5	35	1020	o.r.	

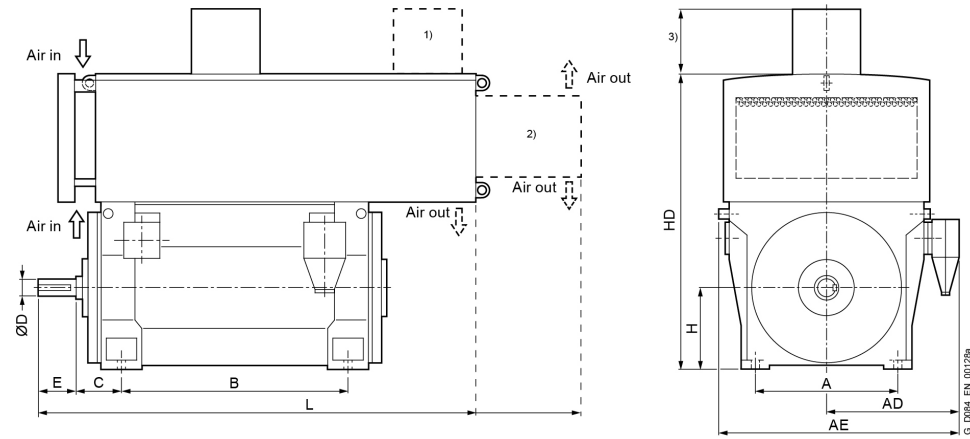
Innomotics HV M - 1SG. IC666 11000 V / 50 Hz B3 (IM 1001)																		
Rated power IEC	Article No.	Speed	Rated current I_R	Efficiency				Power factor				Torque T_R	Breakdown torque T_B/ T_R	Locked rotor torque T_{LR}/ T_R	Locked rotor current I_{LR}/ I_R	Inertia		
				5/4 load	4/4 load	3/4 load	2/4 load	5/4 load	4/4 load	3/4 load	2/4 load					motor	external	Startup max T/TR
kW		rpm	A	%	%	%	%	$\cos \varphi$	$\cos \varphi$	$\cos \varphi$	$\cos \varphi$	Nm	[-]	[-]	[-]	kgm ²	kgm ²	[-]
840	1SG7 457-8MA90-0C.0	744	58	94.6	95.3	95.4	95.0	0.82	0.80	0.73	0.59	10781	2.95	0.80	5.8	45	1220	o.r.
880	1SG7 458-8MA90-0A.0	744	61	94.6	95.4	95.5	95.0	0.81	0.79	0.71	0.56	11295	2.80	0.95	5.7	39	1200	o.r.
900	1SG7 458-8MA90-0C.0	744	62	94.7	95.4	95.5	95.1	0.82	0.80	0.73	0.59	11552	2.95	0.80	5.8	50	1330	o.r.
1000	1SG7 501-8MA90-0A.0	744	70	95.0	95.5	95.7	95.4	0.80	0.79	0.74	0.62	12835	2.40	0.85	4.7	42	1570	o.r.
1000	1SG7 501-8MA90-0C.0	743	67	94.7	95.4	95.8	95.6	0.82	0.82	0.78	0.69	12852	2.30	0.60	4.3	55	1460	o.r.
1100	1SG7 502-8MA90-0A.0	744	78	95.0	95.5	95.9	95.6	0.81	0.78	0.75	0.64	14119	2.50	0.90	4.7	46	1400	o.r.
1100	1SG7 502-8MA90-0C.0	743	74	94.8	95.5	96.0	95.9	0.82	0.82	0.79	0.71	14138	2.35	0.65	4.4	59	1660	o.r.
1250	1SG7 503-8MA90-0A.0	744	85	95.1	95.7	96.1	95.9	0.81	0.81	0.77	0.67	16044	2.30	0.85	4.6	51	1510	o.r.
1370	1SG7 507-8MA90-0A.0	744	92	95.6	96.1	96.3	96.0	0.82	0.81	0.76	0.66	17584	2.55	1.00	5.2	63	2710	o.r.
1400	1SG7 507-8MA90-0C.0	743	91	95.2	95.9	96.4	96.3	0.84	0.84	0.81	0.73	17993	2.30	0.65	4.4	80	2240	o.r.
1550	1SG7 508-8MA90-0A.0	745	106	95.7	96.1	96.3	96.0	0.81	0.80	0.75	0.63	19868	2.65	1.05	5.3	69	2610	o.r.
1600	1SG7 508-8MA90-0C.0	744	106	95.7	96.2	96.4	96.2	0.83	0.83	0.78	0.68	20536	2.65	0.70	5.0	88	3010	o.r.
1800	1SG7 563-8MA90-0C.0	745	120	95.6	96.0	96.3	95.9	0.82	0.82	0.79	0.70	23072	2.35	0.65	5.1	124	2810	o.r.
2000	1SG7 564-8MA90-0C.0	744	134	95.7	96.1	96.5	96.3	0.82	0.82	0.80	0.73	25670	2.20	0.60	4.9	137	3135	o.r.
2240	1SG7 567-8MA90-0C.0	745	150	95.9	96.1	96.6	96.4	0.83	0.82	0.80	0.72	28712	2.30	0.65	5.0	150	4020	o.r.
2500	1SG7 568-8MA90-0C.0	744	166	96.1	96.2	96.8	96.4	0.83	0.82	0.80	0.73	32088	2.30	0.65	5.1	165	5205	o.r.
2950	1SG8 634-8MA90-0C.0	744	188	95.5	96.1	96.1	95.7	0.85	0.86	0.83	0.76	37863	2.15	0.50	4.8	251	3210	o.r.
3350	1SG8 637-8MA90-0C.0	744	210	95.9	96.3	96.3	95.9	0.86	0.87	0.83	0.75	42998	2.30	0.50	5.0	292	4650	o.r.
3550	1SG8 638-8MA90-0C.0	744	220	96.0	96.5	96.5	96.1	0.87	0.87	0.83	0.76	45565	2.35	0.55	5.2	326	5480	o.r.
3800	1SG8 712-8MA90-0C.0	746	240	96.2	96.6	96.5	96.0	0.86	0.86	0.81	0.72	48643	2.55	0.60	5.5	421	3900	o.r.
4150	1SG8 713-8MA90-0C.0	746	260	96.4	96.7	96.6	96.0	0.86	0.86	0.81	0.71	53123	2.55	0.60	5.5	470	4270	o.r.
4650	1SG8 714-8MA90-0C.0	746	290	96.5	96.8	96.7	96.3	0.87	0.87	0.82	0.74	59523	2.55	0.55	5.5	539	4260	o.r.
4950	1SG8 717-8MA90-0C.0	746	305	96.5	96.9	96.9	96.6	0.87	0.88	0.84	0.77	63363	2.45	0.50	5.4	616	4640	o.r.
5300	1SG8 718-8MA90-0C.0	746	330	96.6	97.0	97.0	96.7	0.87	0.87	0.84	0.77	67844	2.35	0.50	5.1	677	4860	o.r.



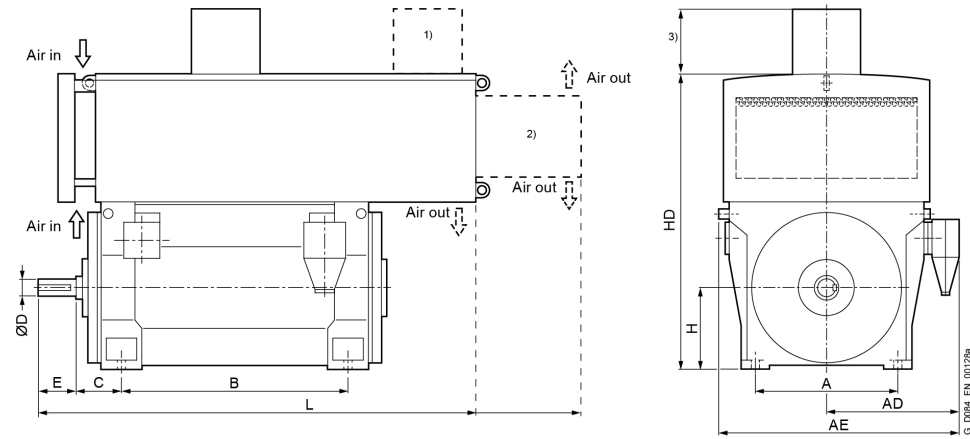
Motor type	Weight	Dimensions											
		A	AD	AE	B	C	D	E	H	HD	L	ML	
	kg	mm	mm	mm	mm	mm	mm	mm	mm	mm	mm	mm	
Innomotics HV M - 1SG. IC666 11000 V / 50 Hz B3 (IM 1001) - Dimension drawings													
2-pole													
1SG7 453-2MA90-0AA0	5100	850	1140	1760	1180	250	95	130	450	3160	2640	o.r.	
1SG7 453-2MA90-0AC0	5000	850	1140	1760	1180	475	95	130	450	3160	2870	o.r.	
1SG7 453-2MA90-0CA0	5200	850	1140	1760	1180	250	95	130	450	3160	2640	o.r.	
1SG7 453-2MA90-0CC0	5100	850	1140	1760	1180	475	95	130	450	3160	2870	o.r.	
1SG7 454-2MA90-0AA0	5200	850	1140	1760	1180	250	95	130	450	3160	2640	o.r.	
1SG7 454-2MA90-0AC0	5100	850	1140	1760	1180	475	95	130	450	3160	2870	o.r.	
1SG7 454-2MA90-0CA0	5300	850	1140	1760	1180	250	95	130	450	3160	2640	o.r.	
1SG7 454-2MA90-0CC0	5200	850	1140	1760	1180	475	95	130	450	3160	2870	o.r.	
1SG7 457-2MA90-0AA0	5550	850	1140	1760	1400	250	95	130	450	3160	2850	o.r.	
1SG7 457-2MA90-0AC0	5400	850	1140	1760	1400	475	95	130	450	3160	3080	o.r.	
1SG7 457-2MA90-0CA0	5650	850	1140	1760	1400	250	95	130	450	3160	2850	o.r.	
1SG7 457-2MA90-0CC0	5550	850	1140	1760	1400	475	95	130	450	3160	3080	o.r.	
1SG7 458-2MA90-0AA0	5700	850	1140	1760	1400	250	95	130	450	3160	2850	o.r.	
1SG7 458-2MA90-0AC0	5600	850	1140	1760	1400	475	95	130	450	3160	3080	o.r.	
1SG7 458-2MA90-0CA0	5850	850	1140	1760	1400	250	95	130	450	3160	2850	o.r.	
1SG7 458-2MA90-0CC0	5800	850	1140	1760	1400	475	95	130	450	3160	3080	o.r.	
1SG7 502-2MA90-0CA0	6400	950	1220	1920	1320	250	110	165	500	3370	2920	o.r.	
1SG7 502-2MA90-0CC0	6300	950	1220	1920	1320	530	120	165	500	3370	3200	o.r.	
1SG7 503-2MA90-0CA0	7050	950	1220	1920	1320	250	110	165	500	3370	2920	o.r.	
1SG7 503-2MA90-0CC0	7000	950	1220	1920	1320	530	120	165	500	3370	3200	o.r.	
1SG7 503-2MA90-0AA0	6900	950	1220	1920	1320	250	110	165	500	3370	2920	o.r.	
1SG7 503-2MA90-0AC0	6850	950	1220	1920	1320	530	120	165	500	3370	3200	o.r.	



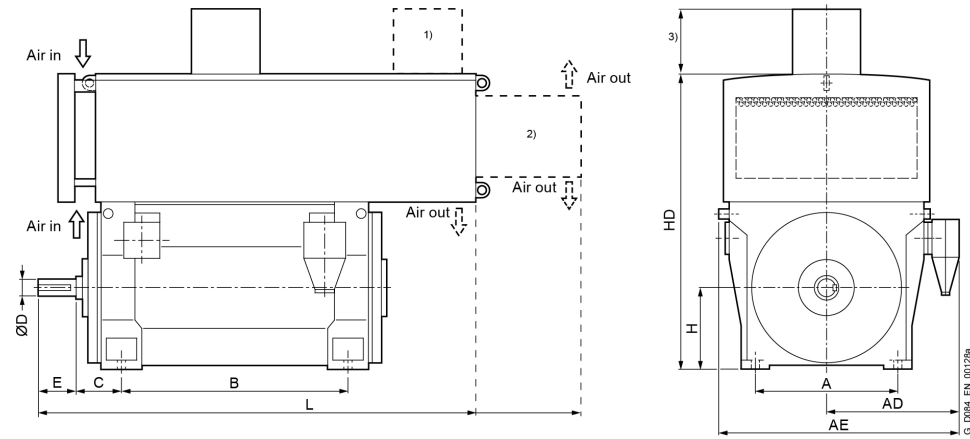
Motor type	Weight	Dimensions										
		A	AD	AE	B	C	D	E	H	HD	L	ML
	kg	mm	mm	mm	mm	mm	mm	mm	mm	mm	mm	mm
Innomotics HV M - 1SG. IC666 11000 V / 50 Hz B3 (IM 1001) - Dimension drawings												
1SG7 504-2MA90-0AA0	7000	950	1220	1920	1320	250	110	165	500	3370	2920	o.r.
1SG7 504-2MA90-0AC0	6900	950	1220	1920	1320	530	120	165	500	3370	3200	o.r.
1SG7 507-2MA90-0CA0	7850	950	1220	1920	1500	250	110	165	500	3370	3130	o.r.
1SG7 507-2MA90-0CC0	7800	950	1220	1920	1500	530	120	165	500	3370	3410	o.r.
1SG7 507-2MA90-0AA0	7650	950	1220	1920	1500	250	110	165	500	3370	3130	o.r.
1SG7 507-2MA90-0AC0	7600	950	1220	1920	1500	530	120	165	500	3370	3410	o.r.
1SG7 508-2MA90-0CA0	8200	950	1220	1920	1500	250	110	165	500	3370	3130	o.r.
1SG7 508-2MA90-0CC0	8150	950	1220	1920	1500	530	120	165	500	3370	3410	o.r.
1SG7 508-2MA90-0AA0	8050	950	1220	1920	1500	250	110	165	500	3370	3130	o.r.
1SG7 508-2MA90-0AC0	7950	950	1220	1920	1500	530	120	165	500	3370	3410	o.r.
1SG7 562-2MA90-0CC0	8600	1060	1290	2060	1400	600	150	200	560	3650	3440	o.r.
1SG7 563-2MA90-0CC0	8850	1060	1290	2060	1400	600	150	200	560	3650	3440	o.r.
1SG7 564-2MA90-0CC0	9100	1060	1290	2060	1400	600	150	200	560	3650	3440	o.r.
1SG7 567-2MA90-0CC0	10000	1060	1290	2060	1600	600	150	200	560	3650	3670	o.r.
1SG7 568-2MA90-0CC0	10500	1060	1290	2060	1600	600	150	200	560	3650	3670	o.r.
1SG8 632-2MA90-0CJ0	10600	1320	1520	2520	1600	560	160	240	630	3210	4060	o.r.
1SG8 633-2MA90-0CJ0	11100	1320	1520	2520	1600	560	160	240	630	3210	4060	o.r.
1SG8 634-2MA90-0CJ0	11600	1320	1520	2520	1600	560	160	240	630	3210	4060	o.r.
1SG8 637-2MA90-0CJ0	12500	1320	1520	2520	1800	560	160	240	630	3210	4260	o.r.
1SG8 638-2MA90-0CJ0	13100	1320	1520	2520	1800	560	160	240	630	3210	4260	o.r.
1SG8 712-2MA90-0CJ0	14550	1500	1620	2720	2000	560	180	240	710	4240	4070	o.r.
1SG8 713-2MA90-0CJ0	15000	1500	1620	2720	2000	560	180	240	710	4240	4070	o.r.
1SG8 714-2MA90-0CJ0	15650	1500	1620	2720	2000	560	180	240	710	4240	4070	o.r.



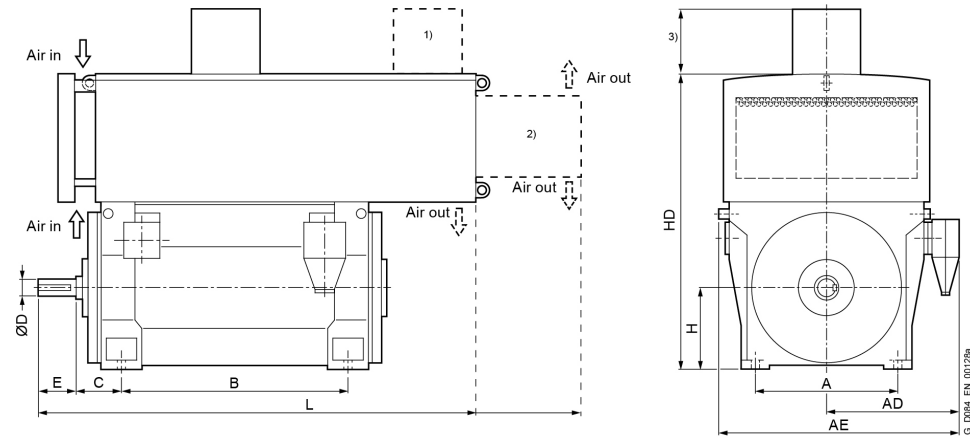
Motor type	Weight	Dimensions										
		A	AD	AE	B	C	D	E	H	HD	L	ML
	kg	mm	mm	mm	mm	mm	mm	mm	mm	mm	mm	mm
Innomotics HV M - 1SG. IC666 11000 V / 50 Hz B3 (IM 1001) - Dimension drawings												
1SG8 716-2MA90-0CJ0	16850	1500	1620	2720	2240	560	180	240	710	4240	4310	o.r.
1SG8 717-2MA90-0CJ0	17650	1500	1620	2720	2240	560	180	240	710	4240	4310	o.r.
1SG8 718-2MA90-0CJ0	18650	1500	1620	2720	2240	560	180	240	710	4240	4310	o.r.
4-pole												
1SG7 453-4MA90-0CA0	5200	850	1140	1760	1180	250	130	200	450	3160	2710	o.r.
1SG7 453-4MA90-0CC0	5250	850	1140	1760	1180	500	130	200	450	3160	2960	o.r.
1SG7 453-4MA90-0AA0	5100	850	1140	1760	1180	250	130	200	450	3160	2710	o.r.
1SG7 453-4MA90-0AC0	5100	850	1140	1760	1180	500	130	200	450	3160	2960	o.r.
1SG7 454-4MA90-0AA0	5250	850	1140	1760	1180	250	130	200	450	3160	2710	o.r.
1SG7 454-4MA90-0AC0	5250	850	1140	1760	1180	500	130	200	450	3160	2960	o.r.
1SG7 454-4MA90-0CA0	5400	850	1140	1760	1180	250	130	200	450	3160	2710	o.r.
1SG7 454-4MA90-0CC0	5400	850	1140	1760	1180	500	130	200	450	3160	2960	o.r.
1SG7 457-4MA90-0CA0	6000	850	1140	1760	1400	250	130	200	450	3160	2920	o.r.
1SG7 457-4MA90-0CC0	6000	850	1140	1760	1400	500	130	200	450	3160	3170	o.r.
1SG7 457-4MA90-0AA0	5800	850	1140	1760	1400	250	130	200	450	3160	2920	o.r.
1SG7 457-4MA90-0AC0	5850	850	1140	1760	1400	500	130	200	450	3160	3170	o.r.
1SG7 458-4MA90-0CA0	6200	850	1140	1760	1400	250	130	200	450	3160	2920	o.r.
1SG7 458-4MA90-0CC0	6250	850	1140	1760	1400	500	130	200	450	3160	3170	o.r.
1SG7 458-4MA90-0AA0	6000	850	1140	1760	1400	250	130	200	450	3160	2920	o.r.
1SG7 458-4MA90-0AC0	6050	850	1140	1760	1400	500	130	200	450	3160	3170	o.r.
1SG7 503-4MA90-0AA0	7150	950	1220	1920	1320	315	160	240	500	3370	3060	o.r.
1SG7 503-4MA90-0AC0	7250	950	1220	1920	1320	560	170	240	500	3370	3300	o.r.
1SG7 503-4MA90-0CA0	7300	950	1220	1920	1320	315	160	240	500	3370	3060	o.r.



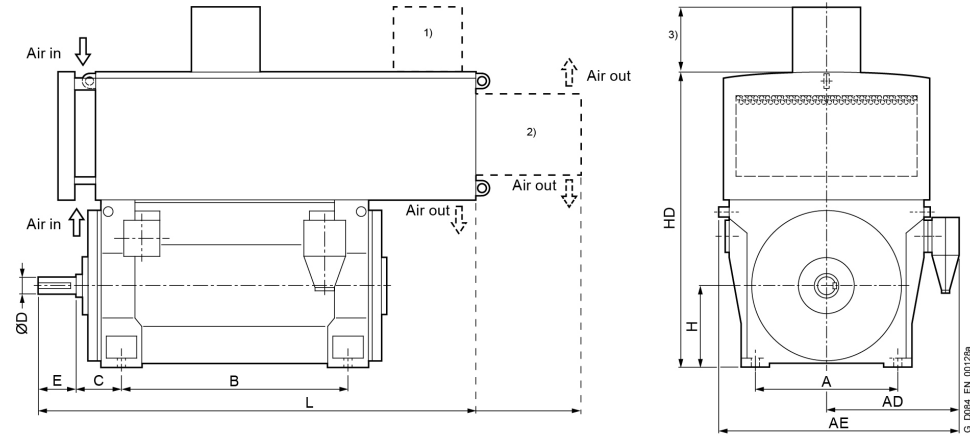
Motor type	Weight	Dimensions										
		A	AD	AE	B	C	D	E	H	HD	L	ML
	kg	mm	mm	mm	mm	mm	mm	mm	mm	mm	mm	mm
Innomotics HV M - 1SG. IC666 11000 V / 50 Hz B3 (IM 1001) - Dimension drawings												
1SG7 503-4MA90-0CC0	7400	950	1220	1920	1320	560	170	240	500	3370	3300	o.r.
1SG7 504-4MA90-0CA0	7600	950	1220	1920	1320	315	160	240	500	3370	3060	o.r.
1SG7 504-4MA90-0CC0	7650	950	1220	1920	1320	560	170	240	500	3370	3300	o.r.
1SG7 504-4MA90-0AA0	7400	950	1220	1920	1320	315	160	240	500	3370	3060	o.r.
1SG7 504-4MA90-0AC0	7500	950	1220	1920	1320	560	170	240	500	3370	3300	o.r.
1SG7 507-4MA90-0AA0	8100	950	1220	1920	1500	315	160	240	500	3370	3270	o.r.
1SG7 507-4MA90-0AC0	8200	950	1220	1920	1500	560	170	240	500	3370	3510	o.r.
1SG7 507-4MA90-0CA0	8300	950	1220	1920	1500	315	160	240	500	3370	3270	o.r.
1SG7 507-4MA90-0CC0	8350	950	1220	1920	1500	560	170	240	500	3370	3510	o.r.
1SG7 508-4MA90-0CA0	8600	950	1220	1920	1500	315	160	240	500	3370	3270	o.r.
1SG7 508-4MA90-0CC0	8700	950	1220	1920	1500	560	170	240	500	3370	3510	o.r.
1SG7 508-4MA90-0AA0	8400	950	1220	1920	1500	315	160	240	500	3370	3270	o.r.
1SG7 508-4MA90-0AC0	8500	950	1220	1920	1500	560	170	240	500	3370	3510	o.r.
1SG7 562-4MA90-0CA0	8650	1060	1290	2060	1400	335	190	280	560	3650	3250	o.r.
1SG7 562-4MA90-0CC0	8700	1060	1290	2060	1400	600	190	280	560	3650	3520	o.r.
1SG7 563-4MA90-0CA0	8900	1060	1290	2060	1400	335	190	280	560	3650	3250	o.r.
1SG7 563-4MA90-0CC0	8950	1060	1290	2060	1400	600	190	280	560	3650	3520	o.r.
1SG7 564-4MA90-0CA0	9350	1060	1290	2060	1400	335	190	280	560	3650	3250	o.r.
1SG7 564-4MA90-0CC0	9400	1060	1290	2060	1400	600	190	280	560	3650	3520	o.r.
1SG7 566-4MA90-0CA0	10150	1060	1290	2060	1600	335	190	280	560	3650	3480	o.r.
1SG7 566-4MA90-0CC0	10250	1060	1290	2060	1600	600	190	280	560	3650	3750	o.r.
1SG7 567-4MA90-0CA0	10650	1060	1290	2060	1600	335	190	280	560	3650	3480	o.r.
1SG7 567-4MA90-0CC0	10700	1060	1290	2060	1600	600	190	280	560	3650	3750	o.r.



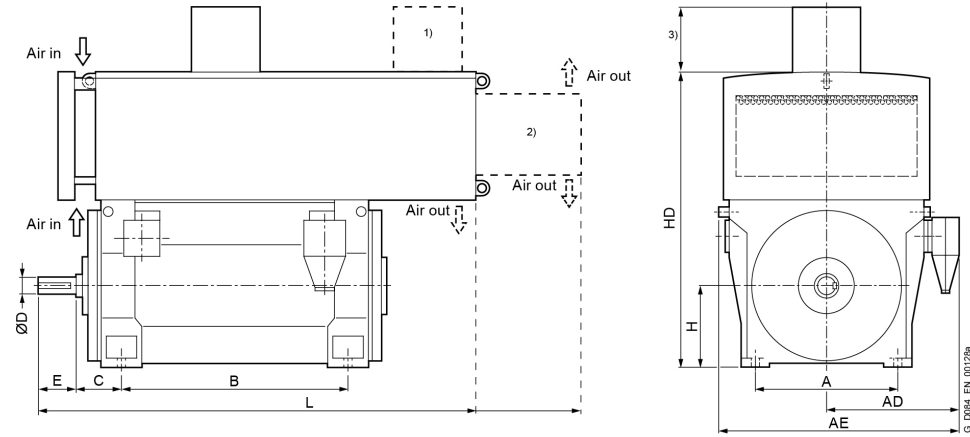
Motor type	Weight	Dimensions										
		A	AD	AE	B	C	D	E	H	HD	L	ML
	kg	mm	mm	mm	mm	mm	mm	mm	mm	mm	mm	mm
Innomotics HV M - 1SG. IC666 11000 V / 50 Hz B3 (IM 1001) - Dimension drawings												
1SG7 568-4MA90-0CA0	11050	1060	1290	2060	1600	335	190	280	560	3650	3480	o.r.
1SG7 568-4MA90-0CC0	11150	1060	1290	2060	1600	600	190	280	560	3650	3750	o.r.
1SG8 633-4MA90-0CG0	11850	1320	1520	2520	1600	375	200	280	630	3210	3920	o.r.
1SG8 633-4MA90-0CJ0	11950	1320	1520	2520	1600	630	200	280	630	3210	4170	o.r.
1SG8 634-4MA90-0CG0	12250	1320	1520	2520	1600	375	200	280	630	3210	3920	o.r.
1SG8 634-4MA90-0CJ0	12400	1320	1520	2520	1600	630	200	280	630	3210	4170	o.r.
1SG8 637-4MA90-0CG0	13250	1320	1520	2520	1800	375	200	280	630	3210	4120	o.r.
1SG8 637-4MA90-0CJ0	13350	1320	1520	2520	1800	630	200	280	630	3210	4370	o.r.
1SG8 638-4MA90-0CG0	13850	1320	1520	2520	1800	375	200	280	630	3210	4120	o.r.
1SG8 638-4MA90-0CJ0	13950	1320	1520	2520	1800	630	200	280	630	3210	4370	o.r.
1SG8 712-4MA90-0CG0	15550	1500	1620	2720	2000	375	220	280	710	4240	3920	o.r.
1SG8 712-4MA90-0CJ0	15650	1500	1620	2720	2000	630	220	280	710	4240	4180	o.r.
1SG8 713-4MA90-0CG0	16200	1500	1620	2720	2000	375	220	280	710	4240	3920	o.r.
1SG8 713-4MA90-0CJ0	16350	1500	1620	2720	2000	630	220	280	710	4240	4180	o.r.
1SG8 714-4MA90-0CG0	17000	1500	1620	2720	2000	375	220	280	710	4240	3920	o.r.
1SG8 714-4MA90-0CJ0	17150	1500	1620	2720	2000	630	220	280	710	4240	4180	o.r.
1SG8 717-4MA90-0CG0	18250	1500	1620	2720	2240	375	220	280	710	4240	4160	o.r.
1SG8 717-4MA90-0CJ0	18400	1500	1620	2720	2240	630	220	280	710	4240	4420	o.r.
1SG8 718-4MA90-0CG0	18850	1500	1620	2720	2240	375	220	280	710	4240	4160	o.r.
1SG8 718-4MA90-0CJ0	19000	1500	1620	2720	2240	630	220	280	710	4240	4420	o.r.
6-pole												
1SG7 452-6MA90-0AA0	4950	850	1140	1760	1180	250	130	200	450	3160	2710	o.r.
1SG7 452-6MA90-0AC0	5000	850	1140	1760	1180	500	130	200	450	3160	2960	o.r.



Motor type	Weight	Dimensions												
		A	AD	AE	B	C	D	E	H	HD	L	ML		
	kg	mm	mm	mm	mm	mm	mm	mm	mm	mm	mm	mm	mm	
Innomotics HV M - 1SG. IC666 11000 V / 50 Hz B3 (IM 1001) - Dimension drawings														
1SG7 452-6MA90-0CA0	5100	850	1140	1760	1180	250	130	200	450	3160	2710	o.r.		
1SG7 452-6MA90-0CC0	5150	850	1140	1760	1180	500	130	200	450	3160	2960	o.r.		
1SG7 453-6MA90-0AA0	5050	850	1140	1760	1180	250	130	200	450	3160	2710	o.r.		
1SG7 453-6MA90-0AC0	5100	850	1140	1760	1180	500	130	200	450	3160	2960	o.r.		
1SG7 453-6MA90-0CA0	5250	850	1140	1760	1180	250	130	200	450	3160	2710	o.r.		
1SG7 453-6MA90-0CC0	5250	850	1140	1760	1180	500	130	200	450	3160	2960	o.r.		
1SG7 454-6MA90-0AA0	5250	850	1140	1760	1180	250	130	200	450	3160	2710	o.r.		
1SG7 454-6MA90-0AC0	5300	850	1140	1760	1180	500	130	200	450	3160	2960	o.r.		
1SG7 454-6MA90-0CA0	5400	850	1140	1760	1180	250	130	200	450	3160	2710	o.r.		
1SG7 454-6MA90-0CC0	5450	850	1140	1760	1180	500	130	200	450	3160	2960	o.r.		
1SG7 457-6MA90-0AA0	5700	850	1140	1760	1400	250	130	200	450	3160	2920	o.r.		
1SG7 457-6MA90-0AC0	5750	850	1140	1760	1400	500	130	200	450	3160	3170	o.r.		
1SG7 457-6MA90-0CA0	5900	850	1140	1760	1400	250	130	200	450	3160	2920	o.r.		
1SG7 457-6MA90-0CC0	5950	850	1140	1760	1400	500	130	200	450	3160	3170	o.r.		
1SG7 458-6MA90-0CA0	6200	850	1140	1760	1400	250	130	200	450	3160	2920	o.r.		
1SG7 458-6MA90-0CC0	6250	850	1140	1760	1400	500	130	200	450	3160	3170	o.r.		
1SG7 458-6MA90-0AA0	6000	850	1140	1760	1400	250	130	200	450	3160	2920	o.r.		
1SG7 458-6MA90-0AC0	6050	850	1140	1760	1400	500	130	200	450	3160	3170	o.r.		
1SG7 502-6MA90-0CA0	7150	950	1220	1920	1320	315	160	240	500	3370	3060	o.r.		
1SG7 502-6MA90-0CC0	7200	950	1220	1920	1320	560	170	240	500	3370	3300	o.r.		
1SG7 502-6MA90-0AA0	6950	950	1220	1920	1320	315	160	240	500	3370	3060	o.r.		
1SG7 502-6MA90-0AC0	7000	950	1220	1920	1320	560	170	240	500	3370	3300	o.r.		
1SG7 503-6MA90-0CA0	7400	950	1220	1920	1320	315	160	240	500	3370	3060	o.r.		

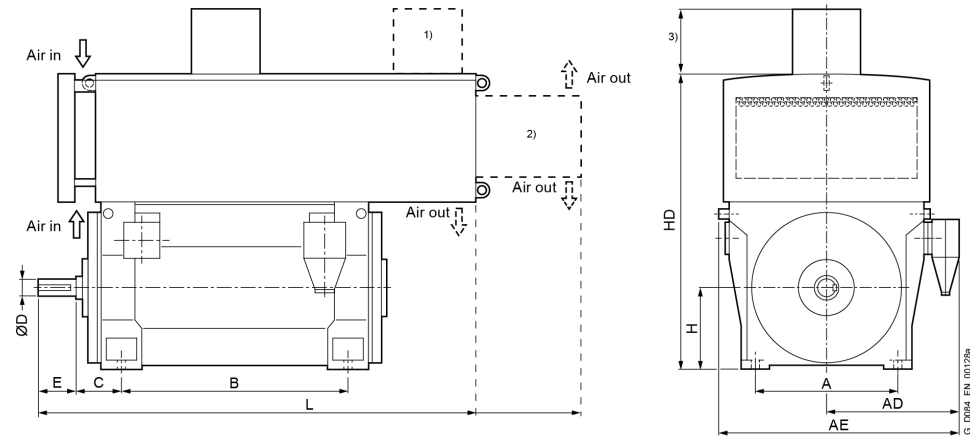


Motor type	Weight	Dimensions										
		A	AD	AE	B	C	D	E	H	HD	L	ML
	kg	mm	mm	mm	mm	mm	mm	mm	mm	mm	mm	mm
Innomotics HV M - 1SG. IC666 11000 V / 50 Hz B3 (IM 1001) - Dimension drawings												
1SG7 503-6MA90-0CC0	7450	950	1220	1920	1320	560	170	240	500	3370	3300	o.r.
1SG7 503-6MA90-0AA0	7150	950	1220	1920	1320	315	160	240	500	3370	3060	o.r.
1SG7 503-6MA90-0AC0	7250	950	1220	1920	1320	560	170	240	500	3370	3300	o.r.
1SG7 504-6MA90-0AA0	7400	950	1220	1920	1320	315	160	240	500	3370	3060	o.r.
1SG7 504-6MA90-0AC0	7450	950	1220	1920	1320	560	170	240	500	3370	3300	o.r.
1SG7 504-6MA90-0CA0	7650	950	1220	1920	1320	315	160	240	500	3370	3060	o.r.
1SG7 504-6MA90-0CC0	7750	950	1220	1920	1320	560	170	240	500	3370	3300	o.r.
1SG7 507-6MA90-0CA0	8400	950	1220	1920	1500	315	160	240	500	3370	3270	o.r.
1SG7 507-6MA90-0CC0	8450	950	1220	1920	1500	560	170	240	500	3370	3510	o.r.
1SG7 507-6MA90-0AA0	8150	950	1220	1920	1500	315	160	240	500	3370	3270	o.r.
1SG7 507-6MA90-0AC0	8200	950	1220	1920	1500	560	170	240	500	3370	3510	o.r.
1SG7 508-6MA90-0AA0	8500	950	1220	1920	1500	315	160	240	500	3370	3270	o.r.
1SG7 508-6MA90-0AC0	8550	950	1220	1920	1500	560	170	240	500	3370	3510	o.r.
1SG7 508-6MA90-0CA0	8750	950	1220	1920	1500	315	160	240	500	3370	3270	o.r.
1SG7 508-6MA90-0CC0	8800	950	1220	1920	1500	560	170	240	500	3370	3510	o.r.
1SG7 561-6MA90-0CA0	8900	1060	1290	2060	1400	335	190	280	560	3650	3250	o.r.
1SG7 561-6MA90-0CC0	9000	1060	1290	2060	1400	600	190	280	560	3650	3520	o.r.
1SG7 562-6MA90-0CA0	9250	1060	1290	2060	1400	335	190	280	560	3650	3250	o.r.
1SG7 562-6MA90-0CC0	9350	1060	1290	2060	1400	600	190	280	560	3650	3520	o.r.
1SG7 564-6MA90-0CA0	9900	1060	1290	2060	1400	335	190	280	560	3650	3250	o.r.
1SG7 564-6MA90-0CC0	10000	1060	1290	2060	1400	600	190	280	560	3650	3520	o.r.
1SG7 567-6MA90-0CA0	10750	1060	1290	2060	1600	335	190	280	560	3650	3480	o.r.
1SG7 567-6MA90-0CC0	10800	1060	1290	2060	1600	600	190	280	560	3650	3750	o.r.

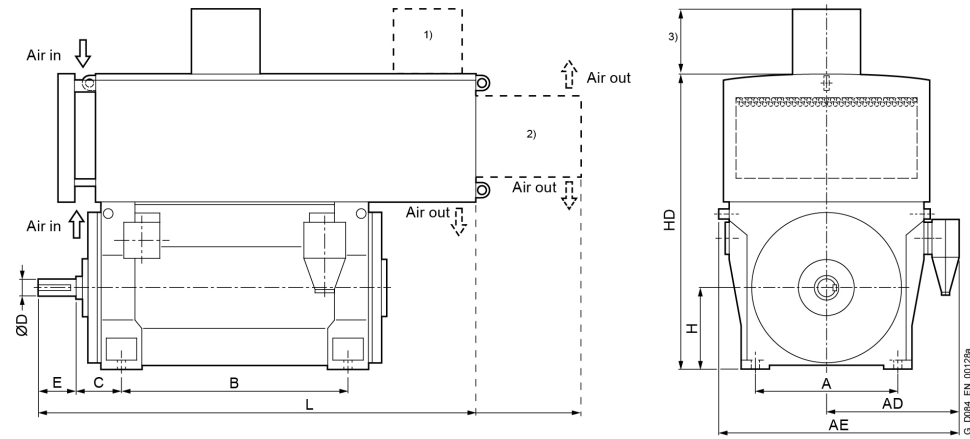


Motor type	Weight	Dimensions										
		A	AD	AE	B	C	D	E	H	HD	L	ML
	kg	mm	mm	mm	mm	mm	mm	mm	mm	mm	mm	mm
Innomotics HV M - 1SG. IC666 11000 V / 50 Hz B3 (IM 1001) - Dimension drawings												
1SG7 568-6MA90-OCA0	11300	1060	1290	2060	1600	335	190	280	560	3650	3480	o.r.
1SG7 568-6MA90-OCC0	11400	1060	1290	2060	1600	600	190	280	560	3650	3750	o.r.
1SG8 632-6MA90-OCG0	11700	1320	1520	2520	1600	375	200	280	630	3210	3920	o.r.
1SG8 632-6MA90-OCJ0	11800	1320	1520	2520	1600	630	200	280	630	3210	4170	o.r.
1SG8 633-6MA90-OCG0	12150	1320	1520	2520	1600	375	200	280	630	3210	3920	o.r.
1SG8 633-6MA90-OCJ0	12250	1320	1520	2520	1600	630	200	280	630	3210	4170	o.r.
1SG8 634-6MA90-OCG0	12650	1320	1520	2520	1600	375	200	280	630	3210	3920	o.r.
1SG8 634-6MA90-OCJ0	12800	1320	1520	2520	1600	630	200	280	630	3210	4170	o.r.
1SG8 637-6MA90-OCG0	13500	1320	1520	2520	1800	375	200	280	630	3210	4120	o.r.
1SG8 637-6MA90-OCJ0	13600	1320	1520	2520	1800	630	200	280	630	3210	4370	o.r.
1SG8 638-6MA90-OCG0	14000	1320	1520	2520	1800	375	200	280	630	3210	4120	o.r.
1SG8 638-6MA90-OCJ0	14100	1320	1520	2520	1800	630	200	280	630	3210	4370	o.r.
1SG8 712-6MA90-OCG0	15500	1500	1620	2720	2000	375	220	280	710	4240	3920	o.r.
1SG8 712-6MA90-OCJ0	15650	1500	1620	2720	2000	630	220	280	710	4240	4180	o.r.
1SG8 713-6MA90-OCG0	16400	1500	1620	2720	2000	375	220	280	710	4240	3920	o.r.
1SG8 713-6MA90-OCJ0	16550	1500	1620	2720	2000	630	220	280	710	4240	4180	o.r.
1SG8 714-6MA90-OCG0	17400	1500	1620	2720	2000	375	220	280	710	4240	3920	o.r.
1SG8 714-6MA90-OCJ0	17550	1500	1620	2720	2000	630	220	280	710	4240	4180	o.r.
1SG8 717-6MA90-OCG0	19000	1500	1620	2720	2240	375	220	280	710	4240	4160	o.r.
1SG8 717-6MA90-OCJ0	19150	1500	1620	2720	2240	630	220	280	710	4240	4420	o.r.
1SG8 718-6MA90-OCG0	20050	1500	1620	2720	2240	375	220	280	710	4240	4160	o.r.
1SG8 718-6MA90-OCJ0	20150	1500	1620	2720	2240	630	220	280	710	4240	4420	o.r.

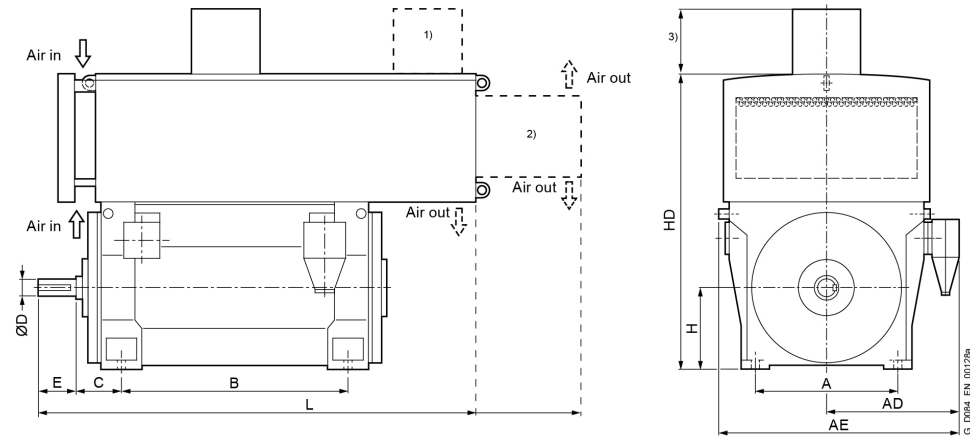
8-pole



Motor type	Weight	Dimensions										
		A	AD	AE	B	C	D	E	H	HD	L	ML
	kg	mm	mm	mm	mm	mm	mm	mm	mm	mm	mm	mm
Innomotics HV M - 1SG. IC666 11000 V / 50 Hz B3 (IM 1001) - Dimension drawings												
1SG7 451-8MA90-0AA0	4900	850	1140	1760	1180	250	130	200	450	3160	2710	o.r.
1SG7 451-8MA90-0AC0	4950	850	1140	1760	1180	500	130	200	450	3160	2960	o.r.
1SG7 451-8MA90-0CA0	5050	850	1140	1760	1180	250	130	200	450	3160	2710	o.r.
1SG7 451-8MA90-0CC0	5050	850	1140	1760	1180	500	130	200	450	3160	2960	o.r.
1SG7 452-8MA90-0AA0	5050	850	1140	1760	1180	250	130	200	450	3160	2710	o.r.
1SG7 452-8MA90-0AC0	5100	850	1140	1760	1180	500	130	200	450	3160	2960	o.r.
1SG7 452-8MA90-0CA0	5200	850	1140	1760	1180	250	130	200	450	3160	2710	o.r.
1SG7 452-8MA90-0CC0	5250	850	1140	1760	1180	500	130	200	450	3160	2960	o.r.
1SG7 453-8MA90-0AA0	5250	850	1140	1760	1180	250	130	200	450	3160	2710	o.r.
1SG7 453-8MA90-0AC0	5300	850	1140	1760	1180	500	130	200	450	3160	2960	o.r.
1SG7 453-8MA90-0CA0	5400	850	1140	1760	1180	250	130	200	450	3160	2710	o.r.
1SG7 453-8MA90-0CC0	5450	850	1140	1760	1180	500	130	200	450	3160	2960	o.r.
1SG7 454-8MA90-0AA0	5500	850	1140	1760	1180	250	130	200	450	3160	2710	o.r.
1SG7 454-8MA90-0AC0	5500	850	1140	1760	1180	500	130	200	450	3160	2960	o.r.
1SG7 454-8MA90-0CA0	5650	850	1140	1760	1180	250	130	200	450	3160	2710	o.r.
1SG7 454-8MA90-0CC0	5700	850	1140	1760	1180	500	130	200	450	3160	2960	o.r.
1SG7 457-8MA90-0AA0	6000	850	1140	1760	1400	250	130	200	450	3160	2920	o.r.
1SG7 457-8MA90-0AC0	6000	850	1140	1760	1400	500	130	200	450	3160	3170	o.r.
1SG7 457-8MA90-0CA0	6150	850	1140	1760	1400	250	130	200	450	3160	2920	o.r.
1SG7 457-8MA90-0CC0	6200	850	1140	1760	1400	500	130	200	450	3160	3170	o.r.
1SG7 458-8MA90-0AA0	6250	850	1140	1760	1400	250	130	200	450	3160	2920	o.r.
1SG7 458-8MA90-0AC0	6250	850	1140	1760	1400	500	130	200	450	3160	3170	o.r.
1SG7 458-8MA90-0CA0	6450	850	1140	1760	1400	250	130	200	450	3160	2920	o.r.

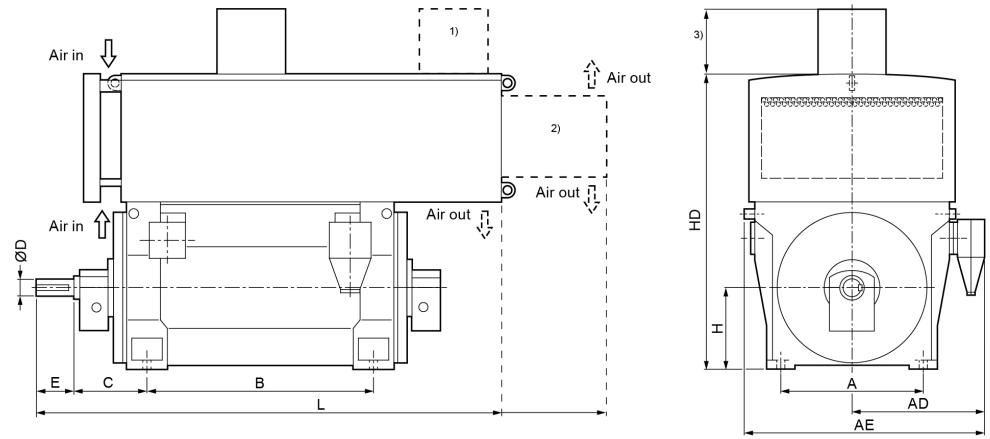


Motor type	Weight	Dimensions										
		A	AD	AE	B	C	D	E	H	HD	L	ML
	kg	mm	mm	mm	mm	mm	mm	mm	mm	mm	mm	mm
Innomotics HV M - 1SG. IC666 11000 V / 50 Hz B3 (IM 1001) - Dimension drawings												
1SG7 458-8MA90-0CC0	6450	850	1140	1760	1400	500	130	200	450	3160	3170	o.r.
1SG7 501-8MA90-0AA0	6200	950	1220	1920	1320	315	160	240	500	3370	3060	o.r.
1SG7 501-8MA90-0AC0	6200	950	1220	1920	1320	560	170	240	500	3370	3300	o.r.
1SG7 501-8MA90-0CA0	6350	950	1220	1920	1320	315	160	240	500	3370	3060	o.r.
1SG7 501-8MA90-0CC0	6350	950	1220	1920	1320	560	170	240	500	3370	3300	o.r.
1SG7 502-8MA90-0AA0	6950	950	1220	1920	1320	315	160	240	500	3370	3060	o.r.
1SG7 502-8MA90-0AC0	7000	950	1220	1920	1320	560	170	240	500	3370	3300	o.r.
1SG7 502-8MA90-0CA0	7150	950	1220	1920	1320	315	160	240	500	3370	3060	o.r.
1SG7 502-8MA90-0CC0	7200	950	1220	1920	1320	560	170	240	500	3370	3300	o.r.
1SG7 503-8MA90-0AA0	7200	950	1220	1920	1320	315	160	240	500	3370	3060	o.r.
1SG7 503-8MA90-0AC0	7250	950	1220	1920	1320	560	170	240	500	3370	3300	o.r.
1SG7 507-8MA90-0AA0	8150	950	1220	1920	1500	315	160	240	500	3370	3270	o.r.
1SG7 507-8MA90-0AC0	8200	950	1220	1920	1500	560	170	240	500	3370	3510	o.r.
1SG7 507-8MA90-0CA0	8400	950	1220	1920	1500	315	160	240	500	3370	3270	o.r.
1SG7 507-8MA90-0CC0	8450	950	1220	1920	1500	560	170	240	500	3370	3510	o.r.
1SG7 508-8MA90-0AA0	8500	950	1220	1920	1500	315	160	240	500	3370	3270	o.r.
1SG7 508-8MA90-0AC0	8550	950	1220	1920	1500	560	170	240	500	3370	3510	o.r.
1SG7 508-8MA90-0CA0	8750	950	1220	1920	1500	315	160	240	500	3370	3270	o.r.
1SG7 508-8MA90-0CC0	8800	950	1220	1920	1500	560	170	240	500	3370	3510	o.r.
1SG7 563-8MA90-0CA0	9400	1060	1290	2060	1400	335	190	280	560	3650	3250	o.r.
1SG7 563-8MA90-0CC0	9500	1060	1290	2060	1400	600	190	280	560	3650	3520	o.r.
1SG7 564-8MA90-0CA0	9850	1060	1290	2060	1400	335	190	280	560	3650	3250	o.r.
1SG7 564-8MA90-0CC0	9950	1060	1290	2060	1400	600	190	280	560	3650	3520	o.r.



Motor type	Weight	Dimensions										
		A	AD	AE	B	C	D	E	H	HD	L	ML
	kg	mm	mm	mm	mm	mm	mm	mm	mm	mm	mm	mm
Innomotics HV M - 1SG. IC666 11000 V / 50 Hz B3 (IM 1001) - Dimension drawings												
1SG7 567-8MA90-OCA0	10750	1060	1290	2060	1600	335	190	280	560	3650	3480	o.r.
1SG7 567-8MA90-OCC0	10800	1060	1290	2060	1600	600	190	280	560	3650	3750	o.r.
1SG7 568-8MA90-OCA0	11250	1060	1290	2060	1600	335	190	280	560	3650	3480	o.r.
1SG7 568-8MA90-OCC0	11350	1060	1290	2060	1600	600	190	280	560	3650	3750	o.r.
1SG8 634-8MA90-OCG0	11750	1320	1520	2520	1600	375	200	280	630	3210	3920	o.r.
1SG8 634-8MA90-OCJ0	11850	1320	1520	2520	1600	630	200	280	630	3210	4170	o.r.
1SG8 637-8MA90-OCG0	13000	1320	1520	2520	1800	375	200	280	630	3210	4120	o.r.
1SG8 637-8MA90-OCJ0	13100	1320	1520	2520	1800	630	200	280	630	3210	4370	o.r.
1SG8 638-8MA90-OCG0	13700	1320	1520	2520	1800	375	200	280	630	3210	4120	o.r.
1SG8 638-8MA90-OCJ0	13800	1320	1520	2520	1800	630	200	280	630	3210	4370	o.r.
1SG8 712-8MA90-OCG0	14900	1500	1620	2720	2000	375	220	280	710	4150	3920	o.r.
1SG8 712-8MA90-OCJ0	15050	1500	1620	2720	2000	630	220	280	710	4150	4180	o.r.
1SG8 713-8MA90-OCG0	15700	1500	1620	2720	2000	375	220	280	710	4150	3920	o.r.
1SG8 713-8MA90-OCJ0	15850	1500	1620	2720	2000	630	220	280	710	4150	4180	o.r.
1SG8 714-8MA90-OCG0	16750	1500	1620	2720	2000	375	220	280	710	4150	3920	o.r.
1SG8 714-8MA90-OCJ0	16950	1500	1620	2720	2000	630	220	280	710	4150	4180	o.r.
1SG8 717-8MA90-OCG0	18400	1500	1620	2720	2240	375	220	280	710	4150	4160	o.r.
1SG8 717-8MA90-OCJ0	18600	1500	1620	2720	2240	630	220	280	710	4150	4420	o.r.
1SG8 718-8MA90-OCG0	19450	1500	1620	2720	2240	375	220	280	710	4150	4160	o.r.
1SG8 718-8MA90-OCJ0	19650	1500	1620	2720	2240	630	220	280	710	4150	4420	o.r.

Innomotics HV M - 1SG. IC666 13800 V / 60 Hz B3 (IM 1001)																			
Rated power IEC	Article No.	Speed	Rated current I_R	Efficiency				Power factor				Torque T_R	Breakdown torque T_B/ T_R	Locked torque T_{LR}/ T_R	rotor Locked current I_{LR}/ I_R	Inertia			
				5/4 load	4/4 load	3/4 load	2/4 load	5/4 load	4/4 load	3/4 load	2/4 load					rotor	external	Startup max T/TR	
kW		rpm	A	%	%	%	%	cos φ	cos φ	cos φ	cos φ	Nm	[-]	[-]	[-]	kgm ²	kgm ²	[-]	
2-pole: $n_{sync} = 3600$ rpm at 60 Hz																			
4800	1SG8 633-2MA20-0CJ0	3587	235	95.7	95.8	94.9	93.1	0.89	0.90	0.90	0.87	12779	2.50	0.65	6.0	82	220	o.r.	
5900	1SG8 637-2MA20-0CJ0	3588	280	96.2	96.2	95.5	93.9	0.90	0.91	0.91	0.88	15703	2.60	0.60	6.0	98	240	o.r.	
7400	1SG8 714-2MA20-0CJ0	3589	355	96.1	95.9	95.2	93.5	0.90	0.91	0.91	0.89	19689	2.40	0.60	6.0	172	170	o.r.	
8500	1SG8 717-2MA20-0CJ0	3589	405	96.3	96.2	95.5	93.9	0.90	0.91	0.91	0.90	22616	2.50	0.55	6.0	200	180	o.r.	
4-pole: $n_{sync} = 1800$ rpm at 60 Hz																			
4950	1SG8 633-4MA20-0C.0	1792	240	96.2	96.3	96.0	94.9	0.89	0.90	0.88	0.84	26378	2.55	0.55	6.0	150	600	o.r.	
5700	1SG8 637-4MA20-0C.0	1792	270	96.4	96.6	96.4	95.4	0.89	0.91	0.90	0.88	30374	2.50	0.60	6.0	182	730	o.r.	
7250	1SG8 713-4MA20-0C.0	1793	345	96.6	96.8	96.6	95.7	0.89	0.91	0.90	0.87	38613	2.60	0.45	6.0	282	680	o.r.	
8800	1SG8 717-4MA20-0C.0	1793	415	96.9	97.0	96.9	96.2	0.90	0.91	0.91	0.88	46868	2.60	0.45	6.0	344	970	o.r.	
6-pole: $n_{sync} = 1200$ rpm at 60 Hz																			
4000	1SG8 633-6MA20-0C.0	1193	198	95.9	96.2	96.1	95.3	0.86	0.88	0.85	0.79	32018	2.40	0.55	5.5	209	1060	o.r.	
4850	1SG8 637-6MA20-0C.0	1193	240	96.3	96.5	96.4	95.6	0.86	0.88	0.85	0.79	38822	2.40	0.55	5.5	246	1560	o.r.	
6800	1SG8 714-6MA20-0C.0	1195	335	96.8	97.0	97.0	96.4	0.87	0.88	0.86	0.81	54339	2.40	0.50	5.5	421	1830	o.r.	
7500	1SG8 717-6MA20-0C.0	1195	365	96.9	97.2	97.1	96.5	0.87	0.88	0.87	0.82	59933	2.40	0.50	5.5	475	2090	o.r.	



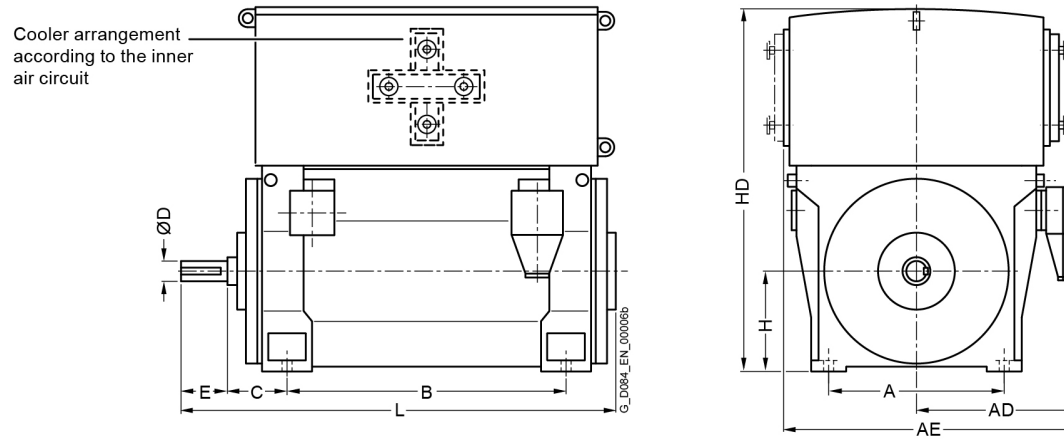
Motor type	Weight	Dimensions												
		A	AD	AE	B	C	D	E	H	HD	L	ML		
	kg	mm	mm	mm	mm	mm	mm	mm	mm	mm	mm	mm	mm	
Innomotics HV M - 1SG, IC666 13800 V / 60 Hz B3 (IM 1001) - Dimension drawings														
2-pole														
1SG8 633-2MA20-0CJ0	11000	1320	1647	2647	1600	560	160	240	630	4400	4060	o.r.		
1SG8 637-2MA20-0CJ0	12400	1320	1647	2647	1800	560	160	240	630	4400	4260	o.r.		
1SG8 714-2MA20-0CJ0	15550	1500	1747	2847	2000	560	180	240	710	4290	4070	o.r.		
1SG8 717-2MA20-0CJ0	17450	1500	1747	2847	2240	560	180	240	710	4290	4310	o.r.		
4-pole														
1SG8 633-4MA20-0CG0	11750	1320	1647	2647	1600	375	200	280	630	4400	3920	o.r.		
1SG8 633-4MA20-0CJ0	11850	1320	1647	2647	1600	630	200	280	630	4400	4170	o.r.		
1SG8 637-4MA20-0CG0	13150	1320	1647	2647	1800	375	200	280	630	4400	4120	o.r.		
1SG8 637-4MA20-0CJ0	13250	1320	1647	2647	1800	630	200	280	630	4400	4370	o.r.		
1SG8 713-4MA20-0CG0	16000	1500	1747	2847	2000	375	220	280	710	4290	3920	o.r.		
1SG8 713-4MA20-0CJ0	16150	1500	1747	2847	2000	630	220	280	710	4290	4180	o.r.		
1SG8 717-4MA20-0CG0	18200	1500	1747	2847	2240	375	220	280	710	4290	4160	o.r.		
1SG8 717-4MA20-0CJ0	18350	1500	1747	2847	2240	630	220	280	710	4290	4420	o.r.		
6-pole														
1SG8 633-6MA20-0CG0	12000	1320	1647	2647	1600	375	200	280	630	4320	3920	o.r.		
1SG8 633-6MA20-0CJ0	12100	1320	1647	2647	1600	630	200	280	630	4320	4170	o.r.		
1SG8 637-6MA20-0CG0	13350	1320	1647	2647	1800	375	200	280	630	4320	4120	o.r.		
1SG8 637-6MA20-0CJ0	13500	1320	1647	2647	1800	630	200	280	630	4320	4370	o.r.		
1SG8 714-6MA20-0CG0	17300	1500	1747	2847	2000	375	220	280	710	4290	3920	o.r.		
1SG8 714-6MA20-0CJ0	17450	1500	1747	2847	2000	630	220	280	710	4290	4180	o.r.		
1SG8 717-6MA20-0CG0	18900	1500	1747	2847	2240	375	220	280	710	4290	4160	o.r.		
1SG8 717-6MA20-0CJ0	19000	1500	1747	2847	2240	630	220	280	710	4290	4420	o.r.		

Innomotics HV M - 1SL, IC81W 6000 V / 50 Hz B3 (IM 1001)																					
Rated power IEC	Article No.	Speed	Rated current				Efficiency				Power factor				Torque	Breakdown torque	Locked rotor torque	Locked rotor current	Inertia		
			I_R	5/4 load	4/4 load	3/4 load	2/4 load	5/4 load	4/4 load	3/4 load	2/4 load	5/4 load	4/4 load	3/4 load					2/4 load	T_R	T_B/ T_R
kW		rpm	A	%	%	%	%	cos φ	cos φ	cos φ	cos φ	Nm	[-]	[-]	[-]	[-]	kgm ²	kgm ²	[-]		
2-pole: $n_{sync} = 3000$ rpm at 50 Hz																					
1750	1SL7 453-2NA60-0A.0	2971	200	95.2	96.1	96.5	96.5	0.85	0.88	0.88	0.86	5627	1.90	0.45	4.6	10	45	o.r.			
1790	1SL7 453-2NA60-0C.0	2971	200	95.2	96.1	96.6	96.5	0.85	0.89	0.89	0.87	5755	1.90	0.50	4.2	14	115	o.r.			
1910	1SL7 454-2NA60-0A.2	2974	215	95.5	96.3	96.6	96.4	0.86	0.88	0.88	0.85	6135	2.05	0.45	4.8	11	50	o.r.			
1960	1SL7 454-2NA60-0C.0	2974	220	95.5	96.2	96.6	96.5	0.86	0.89	0.89	0.87	6296	2.00	0.50	4.5	15	120	o.r.			
2000	1SL7 457-2NA60-0A.2	2975	220	95.7	96.5	96.7	96.5	0.88	0.90	0.90	0.86	6426	2.25	0.55	5.2	12	60	o.r.			
2040	1SL7 457-2NA60-0C.0	2975	225	95.7	96.4	96.7	96.6	0.89	0.90	0.90	0.88	6553	2.15	0.55	4.8	16	140	o.r.			
2240	1SL7 458-2NA60-0A.2	2975	250	95.9	96.6	96.9	96.7	0.88	0.90	0.90	0.87	7192	2.25	0.55	5.2	13	65	o.r.			
2310	1SL7 458-2NA60-0C.0	2975	255	95.9	96.5	96.9	96.8	0.88	0.90	0.90	0.88	7422	2.15	0.55	4.8	18	140	o.r.			
2600	1SL7 503-2NA60-0A.0	2962	295	95.5	96.3	96.8	97.0	0.87	0.88	0.89	0.86	8384	2.05	0.50	3.9	15	32	o.r.			
2600	1SL7 503-2NA60-0C.0	2970	295	95.8	96.5	97.0	97.1	0.87	0.88	0.89	0.87	8361	2.00	0.55	3.8	20	116	o.r.			
2670	1SL7 504-2NA60-0A.0	2964	300	95.6	96.3	96.8	97.0	0.88	0.89	0.89	0.87	8610	2.15	0.50	4.2	15	40	o.r.			
2780	1SL7 504-2NA60-0C.0	2970	310	95.8	96.5	97.0	97.1	0.87	0.89	0.90	0.87	8942	2.05	0.55	3.9	21	108	o.r.			
3100	1SL7 507-2NA60-0A.0	2966	345	96.0	96.6	97.1	97.2	0.88	0.90	0.90	0.86	9986	2.25	0.60	4.5	18	46	o.r.			
3260	1SL7 507-2NA60-0C.2	2971	365	96.2	96.8	97.2	97.3	0.88	0.89	0.90	0.88	10480	2.10	0.65	4.1	24	108	o.r.			
3350	1SL7 508-2NA60-0A.2	2972	365	96.3	96.9	97.2	97.2	0.90	0.91	0.90	0.85	10767	2.60	0.70	5.4	20	74	o.r.			
3550	1SL7 508-2NA60-0C.2	2976	385	96.5	97.0	97.3	97.3	0.90	0.91	0.91	0.88	11399	2.40	0.70	4.9	27	134	o.r.			
4050	1SL7 562-2NA60-0CC2	2978	445	96.3	96.8	96.9	96.7	0.88	0.90	0.90	0.87	12988	2.05	0.55	4.6	41	245	o.r.			
4500	1SL7 563-2NA60-0CC2	2978	500	96.5	96.8	97.1	96.9	0.88	0.89	0.90	0.87	14432	2.00	0.50	4.5	44	230	o.r.			
5000	1SL7 564-2NA60-0CC2	2979	550	96.6	96.9	97.1	96.9	0.90	0.91	0.90	0.88	16029	2.15	0.50	4.8	47	250	o.r.			
5600	1SL7 567-2NA60-0CC2	2980	610	96.8	97.0	97.3	97.1	0.90	0.91	0.91	0.88	17951	2.10	0.55	4.8	52	255	o.r.			
6400	1SL7 568-2NA60-0CC2	2982	700	97.1	97.3	97.4	97.1	0.90	0.91	0.91	0.88	20512	2.25	0.50	5.1	58	270	o.r.			
7200	1SL8 633-2NA60-0CJ0	2978	800	96.5	97.1	97.1	96.8	0.85	0.89	0.89	0.89	23088	1.90	0.50	4.3	82	200	o.r.			
7900	1SL8 634-2NA60-0CJ0	2980	880	96.7	97.2	97.2	96.9	0.86	0.89	0.90	0.89	25315	2.00	0.50	4.6	90	210	o.r.			
8750	1SL8 637-2NA60-0CJ0	2981	960	97.0	97.4	97.4	97.1	0.88	0.90	0.91	0.90	28030	2.10	0.55	5.0	99	220	o.r.			
9700	1SL8 638-2NA60-0CJ0	2981	1060	97.0	97.5	97.5	97.2	0.88	0.90	0.91	0.90	31073	2.15	0.60	5.0	108	210	o.r.			
10150	1SL8 712-2NA60-0CJ0	2982	1140	96.6	97.1	97.1	96.7	0.83	0.88	0.89	0.89	32503	1.70	0.45	4.0	149	150	o.r.			
11150	1SL8 713-2NA60-0CJ0	2981	1280	96.6	97.1	97.2	96.9	0.82	0.87	0.88	0.89	35718	1.65	0.45	3.8	160	130	o.r.			
11600	1SL8 714-2NA60-0CJ0	2983	1300	96.8	97.2	97.3	96.9	0.85	0.89	0.90	0.90	37134	1.80	0.40	4.2	173	160	o.r.			
13000	1SL8 716-2NA60-0CJ0	2984	1420	97.1	97.4	97.4	97.0	0.87	0.90	0.91	0.90	41602	1.90	0.50	4.5	186	140	o.r.			
14650	1SL8 717-2NA60-0CJ0	2984	1600	97.3	97.6	97.5	97.2	0.87	0.90	0.91	0.90	46882	1.90	0.50	4.5	201	120	o.r.			
15000	1SL8 718-2NA60-0CJ0	2983	1620	97.2	97.6	97.7	97.4	0.87	0.91	0.92	0.92	48019	1.90	0.50	4.4	220	120	o.r.			
4-pole: $n_{sync} = 1500$ rpm at 50 Hz																					
1620	1SL7 453-4NA60-0C.2	1483	184	95.2	96.1	96.5	96.6	0.86	0.88	0.87	0.82	10433	2.00	0.50	5.0	23	465	o.r.			
1550	1SL7 453-4NA60-0A.0	1479	176	94.8	95.8	96.3	96.5	0.87	0.88	0.87	0.83	10014	2.15	0.65	5.0	17	225	o.r.			
1680	1SL7 454-4NA60-0A.0	1481	196	95.2	96.0	96.3	96.4	0.85	0.86	0.82	0.73	10836	2.30	0.65	5.2	19	275	o.r.			
1800	1SL7 454-4NA60-0C.2	1483	205	95.2	96.2	96.5	96.6	0.85	0.87	0.84	0.78	11603	2.05	0.50	5.0	25	475	o.r.			

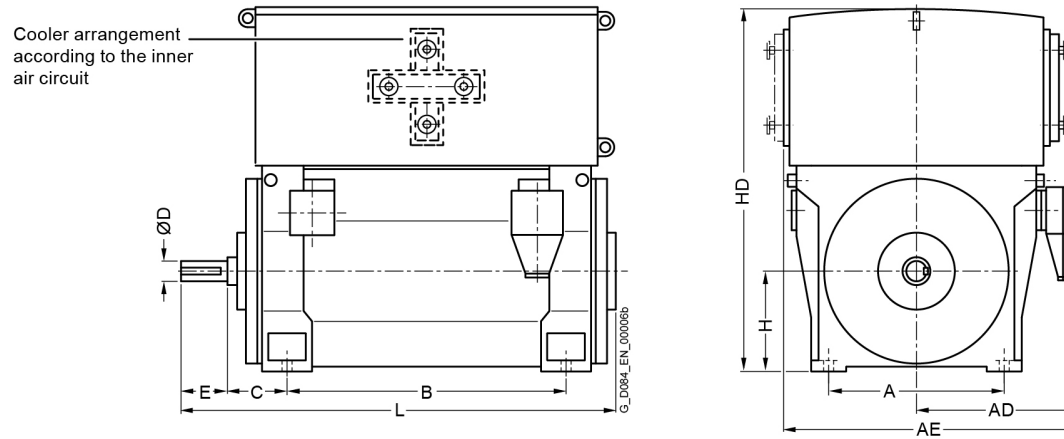
Innomotics HV M - 1SL IC81W 6000 V / 50 Hz B3 (IM 1001)																		
Rated power IEC	Article No.	Speed	Rated current I_R	Efficiency				Power factor				Torque T_R	Breakdown torque T_B/ T_R	Locked rotor torque T_{LR}/ T_R	Locked rotor current I_{LR}/ I_R	Inertia		
				5/4 load	4/4 load	3/4 load	2/4 load	5/4 load	4/4 load	3/4 load	2/4 load					motor	external	Startup max T/TR
kW		rpm	A	%	%	%	%	cos φ	cos φ	cos φ	cos φ	Nm	[-]	[-]	[-]	kgm ²	kgm ²	[-]
1930	1SL7 457-4NA60-0A.2	1482	215	95.4	96.2	96.6	96.7	0.88	0.89	0.88	0.84	12442	2.40	0.75	5.6	22	350	o.r.
2020	1SL7 457-4NA60-0C.2	1485	225	95.7	96.4	96.8	96.9	0.88	0.89	0.88	0.85	12996	2.25	0.55	5.0	30	635	o.r.
2080	1SL7 458-4NA60-0A.0	1483	235	95.7	96.3	96.7	96.8	0.89	0.89	0.88	0.83	13401	2.60	0.80	5.8	24	395	o.r.
2240	1SL7 458-4NA60-0C.2	1485	250	95.8	96.5	96.9	97.0	0.88	0.89	0.89	0.85	14412	2.25	0.55	5.0	33	660	o.r.
2500	1SL7 503-4NA60-0A.2	1485	285	95.9	96.6	97.0	97.1	0.87	0.88	0.87	0.83	16098	2.15	0.75	4.9	37	545	o.r.
2550	1SL7 503-4NA60-0C.2	1486	290	96.0	96.6	97.1	97.1	0.87	0.88	0.88	0.84	16405	2.10	0.55	4.4	45	600	o.r.
2770	1SL7 504-4NA60-0A.2	1486	310	96.1	96.7	97.1	97.1	0.88	0.89	0.87	0.83	17830	2.25	0.80	5.0	40	585	o.r.
2800	1SL7 504-4NA60-0C.2	1487	315	96.1	96.7	97.2	97.1	0.88	0.89	0.88	0.84	18003	2.15	0.55	4.5	50	665	o.r.
3100	1SL7 507-4NA60-0A.2	1485	350	96.2	96.8	97.2	97.3	0.87	0.88	0.88	0.85	19963	2.20	0.75	4.9	46	655	o.r.
3150	1SL7 507-4NA60-0C.2	1487	350	96.3	96.9	97.3	97.3	0.88	0.89	0.89	0.86	20255	2.15	0.55	4.5	56	700	o.r.
3480	1SL7 508-4NA60-0C.2	1489	390	96.5	97.0	97.3	97.3	0.87	0.88	0.88	0.83	22352	2.20	0.55	4.6	62	805	o.r.
3260	1SL7 508-4NA60-0A.2	1485	365	96.2	96.8	97.3	97.3	0.88	0.89	0.89	0.86	20989	2.35	0.85	5.2	50	705	o.r.
3550	1SL7 562-4NA60-0C.2	1489	401	96.4	96.9	97.3	97.3	0.86	0.88	0.87	0.84	22792	2.05	0.60	4.8	74	615	o.r.
4000	1SL7 563-4NA60-0C.2	1488	451	96.4	96.9	97.4	97.4	0.86	0.88	0.87	0.85	25692	2.00	0.60	4.7	80	580	o.r.
4600	1SL7 564-4NA60-0C.2	1489	519	96.6	97.0	97.5	97.4	0.87	0.88	0.88	0.85	29535	2.05	0.60	4.8	90	685	o.r.
5100	1SL7 566-4NA60-0C.2	1489	567	96.8	97.2	97.6	97.5	0.88	0.89	0.88	0.85	32724	2.15	0.65	5.1	100	735	o.r.
5700	1SL7 567-4NA60-0C.2	1489	633	96.9	97.3	97.7	97.6	0.88	0.89	0.89	0.86	36573	2.15	0.65	5.2	110	760	o.r.
6300	1SL7 568-4NA60-0C.2	1490	699	97.0	97.4	97.7	97.7	0.88	0.89	0.89	0.85	40402	2.25	0.70	5.4	119	760	o.r.
6650	1SL8 633-4NA60-0C.0	1489	750	96.7	97.3	97.6	97.5	0.86	0.88	0.89	0.86	42648	2.00	0.50	4.7	151	540	o.r.
7150	1SL8 634-4NA60-0C.0	1489	790	96.7	97.3	97.6	97.6	0.86	0.89	0.89	0.87	45855	2.00	0.50	4.8	166	640	o.r.
8100	1SL8 637-4NA60-0C.0	1489	900	96.9	97.4	97.7	97.6	0.87	0.89	0.89	0.86	51947	2.10	0.50	5.0	182	650	o.r.
9300	1SL8 638-4NA60-0C.0	1490	1040	97.1	97.6	97.8	97.7	0.87	0.89	0.88	0.85	59603	2.10	0.50	5.0	198	670	o.r.
9600	1SL8 712-4NA60-0C.0	1490	1060	97.1	97.6	97.8	97.7	0.87	0.89	0.89	0.86	61526	2.15	0.45	4.9	259	650	o.r.
10450	1SL8 713-4NA60-0C.0	1490	1140	97.2	97.6	97.8	97.7	0.88	0.90	0.89	0.87	66973	2.20	0.50	5.2	284	720	o.r.
11500	1SL8 714-4NA60-0C.0	1490	1260	97.3	97.7	97.9	97.8	0.88	0.90	0.90	0.87	73703	2.25	0.50	5.3	312	800	o.r.
12750	1SL8 717-4NA60-0C.0	1491	1400	97.3	97.7	97.9	97.8	0.89	0.90	0.90	0.88	81659	2.30	0.55	5.5	346	850	o.r.
13600	1SL8 718-4NA60-0C.0	1492	1480	97.4	97.8	97.9	97.8	0.89	0.90	0.89	0.85	87045	2.50	0.55	5.8	365	930	o.r.
6-pole: $n_{sync} = 1000$ rpm at 50 Hz																		
1250	1SL7 453-6NA60-0A.0	987	148	94.4	95.4	96.0	96.3	0.84	0.85	0.83	0.77	12103	2.05	0.70	5.0	22	730	o.r.
1260	1SL7 453-6NA60-0C.0	986	148	94.3	95.4	96.0	96.3	0.84	0.86	0.84	0.79	12201	2.00	0.60	4.5	30	970	o.r.
1410	1SL7 454-6NA60-0A.0	988	166	94.7	95.6	96.1	96.3	0.84	0.85	0.82	0.75	13641	2.05	0.70	4.9	24	945	o.r.
1430	1SL7 454-6NA60-0C.0	987	170	94.6	95.6	96.2	96.4	0.84	0.85	0.84	0.78	13847	2.00	0.55	4.4	33	1215	o.r.
1520	1SL7 457-6NA60-0A.0	988	180	94.8	95.7	96.3	96.5	0.84	0.85	0.84	0.77	14706	2.10	0.75	5.1	28	1025	o.r.
1550	1SL7 457-6NA60-0C.0	987	182	94.7	95.7	96.2	96.5	0.84	0.86	0.85	0.80	14997	2.10	0.60	4.5	36	1275	o.r.
1650	1SL7 458-6NA60-0A.0	989	192	95.1	95.9	96.4	96.6	0.85	0.86	0.84	0.77	15950	2.25	0.80	5.3	31	1135	o.r.
1680	1SL7 458-6NA60-0C.0	988	194	95.0	95.9	96.4	96.6	0.85	0.87	0.85	0.79	16244	2.20	0.60	4.8	41	1410	o.r.
1800	1SL7 502-6NA60-0A.2	990	210	95.4	96.2	96.7	96.8	0.84	0.85	0.83	0.76	17387	2.15	0.85	4.5	42	1620	o.r.

Innomotics HV M - 1SL, IC81W 6000 V / 50 Hz B3 (IM 1001)																		
Rated power IEC	Article No.	Speed	Rated current I_R	Efficiency				Power factor				Torque T_R	Breakdown torque T_B/ T_R	Locked torque T_{LR}/ T_R	Locked rotor current I_{LR}/ I_R	Inertia		
				5/4 load	4/4 load	3/4 load	2/4 load	5/4 load	4/4 load	3/4 load	2/4 load					motor	external	Startup max T/TR
kW		rpm	A	%	%	%	%	$\cos \varphi$	$\cos \varphi$	$\cos \varphi$	$\cos \varphi$	Nm	[-]	[-]	[-]	kgm ²	kgm ²	[-]
1800	1SL7 502-6NA60-0C.2	991	210	95.6	96.3	96.8	96.9	0.84	0.85	0.84	0.78	17365	2.10	0.70	4.2	54	2060	o.r.
2000	1SL7 503-6NA60-0A.2	990	230	95.6	96.4	96.8	96.9	0.84	0.86	0.84	0.77	19320	2.15	0.90	4.6	46	1790	o.r.
2000	1SL7 503-6NA60-0C.2	991	235	95.8	96.5	96.9	97.0	0.84	0.86	0.85	0.79	19276	2.10	0.70	4.3	60	2300	o.r.
2280	1SL7 504-6NA60-0A.2	990	260	95.6	96.4	96.8	97.0	0.85	0.86	0.84	0.77	22029	2.15	0.90	4.6	51	1680	o.r.
2240	1SL7 504-6NA60-0C.2	991	260	95.9	96.6	97.0	97.1	0.85	0.86	0.85	0.79	21602	2.15	0.75	4.4	66	2100	o.r.
2540	1SL7 507-6NA60-0A.2	990	290	95.9	96.5	97.0	97.1	0.85	0.86	0.84	0.77	24531	2.20	0.90	4.8	58	2110	o.r.
2570	1SL7 507-6NA60-0C.2	991	290	96.0	96.7	97.1	97.2	0.85	0.86	0.85	0.80	24785	2.15	0.75	4.3	74	2440	o.r.
2680	1SL7 508-6NA60-0A.2	990	310	96.2	96.7	97.1	97.1	0.85	0.86	0.83	0.75	25858	2.35	0.95	5.1	63	2480	o.r.
2750	1SL7 508-6NA60-0C.2	991	320	96.2	96.9	97.2	97.2	0.85	0.86	0.85	0.78	26495	2.25	0.75	4.6	81	2780	o.r.
3000	1SL7 562-6NA60-0C.2	992	345	96.0	96.6	97.0	96.8	0.85	0.86	0.86	0.82	28909	1.80	0.60	5.2	105	2430	o.r.
3300	1SL7 563-6NA60-0C.2	992	380	96.1	96.8	97.0	97.0	0.85	0.86	0.85	0.82	31792	1.80	0.60	5.2	113	2500	o.r.
3700	1SL7 564-6NA60-0C.2	992	430	96.2	96.8	97.1	97.1	0.85	0.86	0.86	0.82	35646	1.80	0.60	5.2	124	2485	o.r.
4100	1SL7 567-6NA60-0C.2	992	475	96.3	96.9	97.1	97.2	0.85	0.86	0.86	0.82	39488	1.80	0.60	5.2	137	2600	o.r.
4550	1SL7 568-6NA60-0C.2	992	520	96.6	97.0	97.2	97.2	0.86	0.86	0.86	0.81	43806	2.00	0.60	5.5	151	2945	o.r.
5000	1SL8 632-6NA60-0C.0	991	580	96.3	96.9	97.2	97.1	0.84	0.86	0.83	0.77	48180	2.10	0.55	4.7	193	1880	o.r.
5200	1SL8 633-6NA60-0C.0	991	590	96.4	97.0	97.3	97.2	0.84	0.87	0.84	0.79	50107	2.10	0.55	4.7	209	2160	o.r.
6000	1SL8 634-6NA60-0C.0	991	690	96.5	97.1	97.4	97.3	0.84	0.86	0.84	0.79	57816	2.00	0.52	4.7	227	2080	o.r.
6400	1SL8 637-6NA60-0C.0	991	730	96.5	97.1	97.4	97.3	0.84	0.87	0.85	0.80	61671	2.00	0.52	4.7	247	2400	o.r.
6900	1SL8 638-6NA60-0C.0	991	790	96.6	97.2	97.5	97.4	0.85	0.87	0.85	0.80	66489	2.05	0.52	4.7	265	2580	o.r.
7350	1SL8 712-6NA60-0C.0	993	840	96.9	97.4	97.6	97.5	0.85	0.86	0.84	0.79	70682	2.15	0.55	5.0	331	2240	o.r.
8150	1SL8 713-6NA60-0C.0	993	920	97.0	97.5	97.7	97.7	0.85	0.87	0.86	0.82	78375	2.10	0.55	5.0	374	2520	o.r.
9400	1SL8 714-6NA60-0C.0	993	1060	97.1	97.5	97.8	97.7	0.85	0.87	0.85	0.80	90396	2.15	0.50	5.0	424	2810	o.r.
10550	1SL8 717-6NA60-0C.0	994	1200	97.3	97.7	97.9	97.7	0.86	0.87	0.85	0.80	101353	2.30	0.60	5.4	478	3250	o.r.
11300	1SL8 718-6NA60-0C.0	994	1280	97.4	97.7	97.9	97.7	0.86	0.87	0.85	0.77	108558	2.50	0.60	5.5	524	3760	o.r.
8-pole: $n_{sync} = 750$ rpm at 50 Hz																		
820	1SL7 452-8NA60-0A.0	739	102	93.8	95.0	95.4	95.4	0.79	0.81	0.77	0.68	10592	1.80	0.60	4.0	25	1540	o.r.
880	1SL7 452-8NA60-0C.0	738	108	93.6	94.9	95.4	95.5	0.80	0.82	0.79	0.71	11379	1.90	0.55	4.1	32	1900	o.r.
930	1SL7 453-8NA60-0A.0	739	116	94.0	95.1	95.6	95.6	0.79	0.81	0.77	0.68	12013	1.80	0.60	3.9	28	1960	o.r.
1000	1SL7 453-8NA60-0C.0	738	124	93.9	95.1	95.5	95.7	0.81	0.82	0.79	0.71	12926	1.90	0.55	4.0	36	2310	o.r.
1000	1SL7 454-8NA60-0A.2	739	124	94.1	95.4	95.7	95.8	0.80	0.81	0.78	0.70	12919	1.85	0.60	4.0	31	2450	o.r.
1100	1SL7 454-8NA60-0C.0	738	134	94.0	95.2	95.7	95.9	0.81	0.83	0.80	0.73	14225	1.90	0.55	4.1	40	2750	o.r.
1190	1SL7 457-8NA60-0A.0	739	148	94.4	95.4	95.8	95.8	0.80	0.81	0.77	0.68	15370	1.85	0.60	4.2	35	2610	o.r.
1220	1SL7 457-8NA60-0C.2	740	148	94.5	95.5	95.8	95.8	0.82	0.83	0.79	0.70	15743	2.00	0.60	4.6	45	3470	o.r.
1260	1SL7 458-8NA60-0A.0	739	154	94.5	95.5	95.8	95.9	0.80	0.82	0.78	0.69	16267	1.95	0.65	4.5	39	2760	o.r.
1310	1SL7 458-8NA60-0C.0	740	160	94.6	95.5	95.9	95.9	0.82	0.83	0.80	0.71	16900	2.10	0.60	4.8	50	3580	o.r.
1400	1SL7 502-8NA60-0A.2	742	174	95.1	95.9	96.4	96.6	0.81	0.81	0.79	0.73	18026	1.95	0.75	3.9	46	2280	o.r.
1400	1SL7 502-8NA60-0C.2	741	170	95.0	95.9	96.4	96.7	0.81	0.83	0.80	0.74	18042	1.95	0.50	3.7	59	2990	o.r.

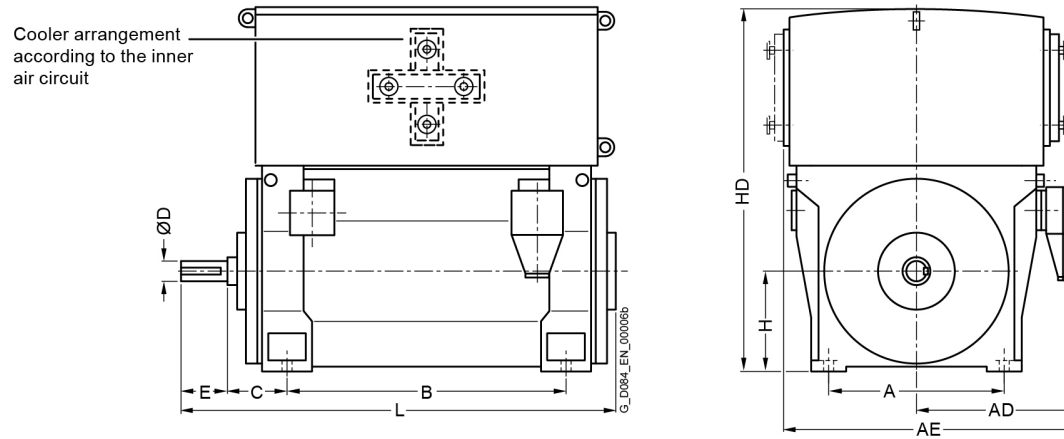
Innomotics HV M - 1SL, IC81W 6000 V / 50 Hz B3 (IM 1001)																		
Rated power IEC	Article No.	Speed	Rated current I_R	Efficiency				Power factor				Torque T_R	Breakdown torque T_B/ T_R	Locked rotor torque T_{LR}/ T_R	Locked rotor current I_{LR}/ I_R	Inertia		
				5/4 load	4/4 load	3/4 load	2/4 load	5/4 load	4/4 load	3/4 load	2/4 load					motor	external	Startup max T/TR
kW		rpm	A	%	%	%	%	$\cos \varphi$	$\cos \varphi$	$\cos \varphi$	$\cos \varphi$	Nm	[-]	[-]	[-]	kgm ²	kgm ²	[-]
1600	1SL7 503-8NA60-0A.2	741	196	95.1	96.0	96.5	96.8	0.80	0.82	0.81	0.76	20625	1.85	0.70	3.7	51	2130	o.r.
1600	1SL7 503-8NA60-0C.2	740	194	94.9	95.9	96.5	96.8	0.80	0.83	0.81	0.77	20641	1.85	0.45	3.5	65	2830	o.r.
1680	1SL7 504-8NA60-0A.2	743	205	95.5	96.2	96.5	96.6	0.82	0.82	0.79	0.72	21626	2.05	0.80	4.2	56	2840	o.r.
1700	1SL7 504-8NA60-0C.2	742	205	95.4	96.2	96.6	96.7	0.82	0.83	0.80	0.74	21881	2.10	0.55	3.9	72	3580	o.r.
1810	1SL7 507-8NA60-0A.2	743	220	95.6	96.3	96.7	96.7	0.82	0.82	0.79	0.72	23296	2.10	0.80	4.2	63	3670	o.r.
1840	1SL7 507-8NA60-0C.2	742	220	95.6	96.3	96.7	96.9	0.82	0.83	0.82	0.74	23674	2.10	0.60	4.0	80	4640	o.r.
2000	1SL7 508-8NA60-0A.2	743	245	95.8	96.4	96.7	96.7	0.81	0.82	0.80	0.72	25731	2.15	0.85	4.4	69	3790	o.r.
2000	1SL7 508-8NA60-0C.2	743	240	95.8	96.4	96.8	96.9	0.82	0.83	0.81	0.73	25739	2.20	0.60	4.2	88	4780	o.r.
2300	1SL7 563-8NA60-0C.2	743	275	95.6	96.3	96.7	96.6	0.82	0.83	0.81	0.75	29553	2.00	0.55	4.4	124	3025	o.r.
2600	1SL7 564-8NA60-0C.2	743	315	95.8	96.4	96.8	96.7	0.83	0.83	0.82	0.76	33406	2.00	0.60	4.5	137	3315	o.r.
2900	1SL7 567-8NA60-0C.2	744	350	96.0	96.5	96.9	96.8	0.83	0.83	0.81	0.74	37262	2.15	0.60	4.7	150	3950	o.r.
3300	1SL7 568-8NA60-0C.2	744	395	96.2	96.7	97.0	96.9	0.83	0.83	0.81	0.75	42419	2.10	0.60	4.6	165	5680	o.r.
3350	1SL8 633-8NA60-0C.0	742	395	95.2	96.0	96.4	96.3	0.83	0.85	0.83	0.77	43113	1.80	0.40	3.8	216	3390	o.r.
3900	1SL8 634-8NA60-0C.0	742	455	95.6	96.3	96.5	96.4	0.84	0.86	0.83	0.76	50192	1.90	0.45	4.1	251	3760	o.r.
4550	1SL8 637-8NA60-0C.0	743	530	96.0	96.5	96.7	96.5	0.85	0.86	0.82	0.75	58478	2.05	0.50	4.4	292	5960	o.r.
4800	1SL8 638-8NA60-0C.0	743	560	96.2	96.7	96.8	96.6	0.85	0.86	0.83	0.76	61691	2.10	0.50	4.5	326	6970	o.r.
5400	1SL8 712-8NA60-0C.0	744	580	96.4	96.8	97.0	96.8	0.85	0.86	0.82	0.75	69309	2.15	0.45	4.6	422	5600	o.r.
5900	1SL8 713-8NA60-0C.0	745	650	96.4	96.9	97.0	96.8	0.86	0.86	0.83	0.75	75625	2.25	0.50	4.8	474	6410	o.r.
6900	1SL8 714-8NA60-0C.0	745	720	96.6	97.0	97.1	96.9	0.86	0.87	0.83	0.76	88443	2.25	0.50	4.8	542	7220	o.r.
7800	1SL8 717-8NA60-0C.0	745	820	96.8	97.1	97.2	96.9	0.86	0.87	0.82	0.74	99979	2.35	0.50	5.0	619	8530	o.r.
8300	1SL8 718-8NA60-0C.0	745	910	96.9	97.2	97.2	97.0	0.87	0.87	0.83	0.75	106388	2.45	0.60	5.2	682	9540	o.r.



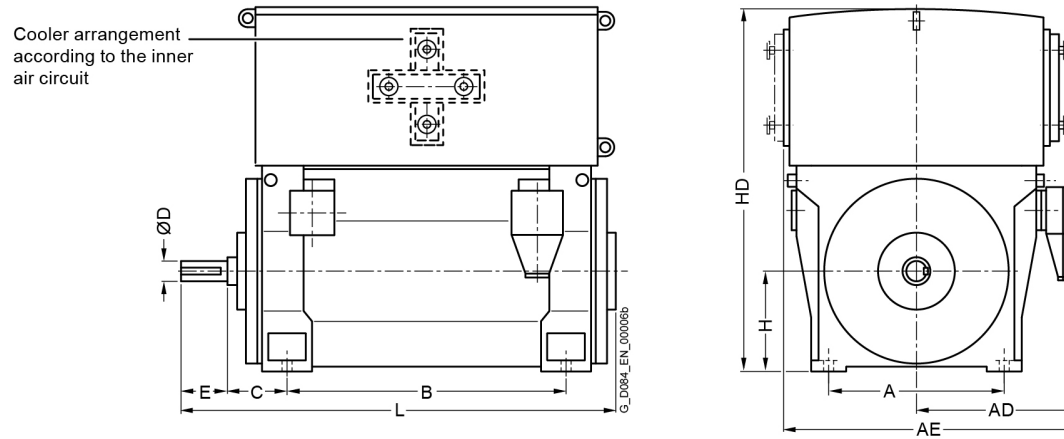
Motor type	Weight	Dimensions											
		A	AD	AE	B	C	D	E	H	HD	L	ML	
	kg	mm	mm	mm	mm	mm	mm	mm	mm	mm	mm	mm	mm
Innomotics HV M - 1SL. IC81W 6000 V / 50 Hz B3 (IM 1001) - Dimension drawings													
2-pole													
1SL7 453-2NA60-0AA0	4200	850	925	1545	1180	250	95	130	450	1650	1840	o.r.	
1SL7 453-2NA60-0AC0	4100	850	925	1545	1180	475	95	130	450	1650	2270	o.r.	
1SL7 453-2NA60-0CA0	4350	850	925	1545	1180	250	95	130	450	1650	1840	o.r.	
1SL7 453-2NA60-0CC0	4250	850	925	1545	1180	475	95	130	450	1650	2270	o.r.	
1SL7 454-2NA60-0AA2	4350	850	925	1545	1180	250	95	130	450	1650	1840	o.r.	
1SL7 454-2NA60-0AC2	4250	850	925	1545	1180	475	95	130	450	1650	2270	o.r.	
1SL7 454-2NA60-0CA0	4450	850	925	1545	1180	250	95	130	450	1650	1840	o.r.	
1SL7 454-2NA60-0CC0	4400	850	925	1545	1180	475	95	130	450	1650	2270	o.r.	
1SL7 457-2NA60-0AA2	4700	850	925	1545	1400	250	95	130	450	1650	2050	o.r.	
1SL7 457-2NA60-0AC2	4600	850	925	1545	1400	475	95	130	450	1650	2480	o.r.	
1SL7 457-2NA60-0CA0	4850	850	925	1545	1400	250	95	130	450	1650	2050	o.r.	
1SL7 457-2NA60-0CC0	4750	850	925	1545	1400	475	95	130	450	1650	2480	o.r.	
1SL7 458-2NA60-0AA2	4900	850	925	1545	1400	250	95	130	450	1650	2050	o.r.	
1SL7 458-2NA60-0AC2	4800	850	925	1545	1400	475	95	130	450	1650	2480	o.r.	
1SL7 458-2NA60-0CA0	5050	850	925	1545	1400	250	95	130	450	1650	2050	o.r.	
1SL7 458-2NA60-0CC0	4950	850	925	1545	1400	475	95	130	450	1650	2480	o.r.	
1SL7 503-2NA60-0AA0	5700	950	1005	1705	1320	250	110	165	500	1790	1960	o.r.	
1SL7 503-2NA60-0AC0	5650	950	1005	1705	1320	530	120	165	500	1790	2510	o.r.	
1SL7 503-2NA60-0CA0	5850	950	1005	1705	1320	250	110	165	500	1790	1960	o.r.	
1SL7 503-2NA60-0CC0	5800	950	1005	1705	1320	530	120	165	500	1790	2510	o.r.	
1SL7 504-2NA60-0AA0	5750	950	1005	1705	1320	250	110	165	500	1790	1960	o.r.	
1SL7 504-2NA60-0AC0	5700	950	1005	1705	1320	530	120	165	500	1790	2510	o.r.	



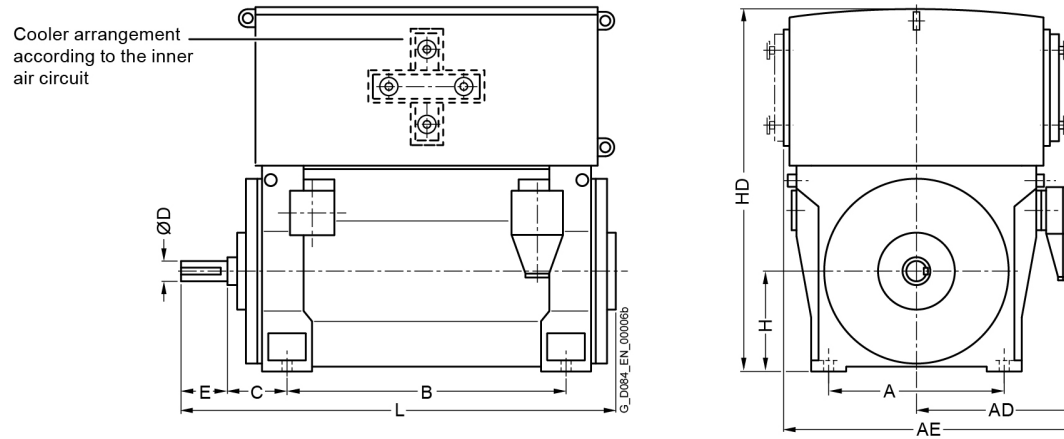
Motor type	Weight kg	Dimensions										
		A mm	AD mm	AE mm	B mm	C mm	D mm	E mm	H mm	HD mm	L mm	ML mm
Innomotics HV M - 1SL. IC81W 6000 V / 50 Hz B3 (IM 1001) - Dimension drawings												
1SL7 504-2NA60-0CA0	5900	950	1005	1705	1320	250	110	165	500	1790	1960	o.r.
1SL7 504-2NA60-0CC0	5850	950	1005	1705	1320	530	120	165	500	1790	2510	o.r.
1SL7 507-2NA60-0AA0	6450	950	1005	1705	1500	250	110	165	500	1790	2170	o.r.
1SL7 507-2NA60-0AC0	6400	950	1005	1705	1500	530	120	165	500	1790	2720	o.r.
1SL7 507-2NA60-0CA2	6600	950	1005	1705	1500	250	110	165	500	1790	2170	o.r.
1SL7 507-2NA60-0CC2	6550	950	1005	1705	1500	530	120	165	500	1790	2720	o.r.
1SL7 508-2NA60-0AA2	6750	950	1005	1705	1500	250	110	165	500	1790	2170	o.r.
1SL7 508-2NA60-0AC2	6700	950	1005	1705	1500	530	120	165	500	1790	2720	o.r.
1SL7 508-2NA60-0CA2	6950	950	1005	1705	1500	250	110	165	500	1790	2170	o.r.
1SL7 508-2NA60-0CC2	6850	950	1005	1705	1500	530	120	165	500	1790	2720	o.r.
1SL7 562-2NA60-0CC2	7650	1060	1290	2060	1400	600	150	200	560	1970	2810	o.r.
1SL7 563-2NA60-0CC2	7950	1060	1290	2060	1400	600	150	200	560	1970	2810	o.r.
1SL7 564-2NA60-0CC2	8200	1060	1290	2060	1400	600	150	200	560	1970	2810	o.r.
1SL7 567-2NA60-0CC2	9000	1060	1290	2060	1600	600	150	200	560	1970	3040	o.r.
1SL7 568-2NA60-0CC2	9650	1060	1290	2060	1600	600	150	200	560	1970	3040	o.r.
1SL8 633-2NA60-0CJ0	9800	1320	1520	2520	1600	560	160	240	630	2250	2890	o.r.
1SL8 634-2NA60-0CJ0	10350	1320	1520	2520	1600	560	160	240	630	2250	2890	o.r.
1SL8 637-2NA60-0CJ0	11200	1320	1520	2520	1800	560	160	240	630	2250	3090	o.r.
1SL8 638-2NA60-0CJ0	11800	1320	1520	2520	1800	560	160	240	630	2250	3090	o.r.
1SL8 712-2NA60-0CJ0	13100	1500	1620	2720	2000	560	180	240	710	2550	3280	o.r.
1SL8 713-2NA60-0CJ0	13750	1500	1620	2720	2000	560	180	240	710	2550	3280	o.r.
1SL8 714-2NA60-0CJ0	14350	1500	1620	2720	2000	560	180	240	710	2550	3280	o.r.
1SL8 716-2NA60-0CJ0	15400	1500	1620	2720	2240	560	180	240	710	2460	3520	o.r.



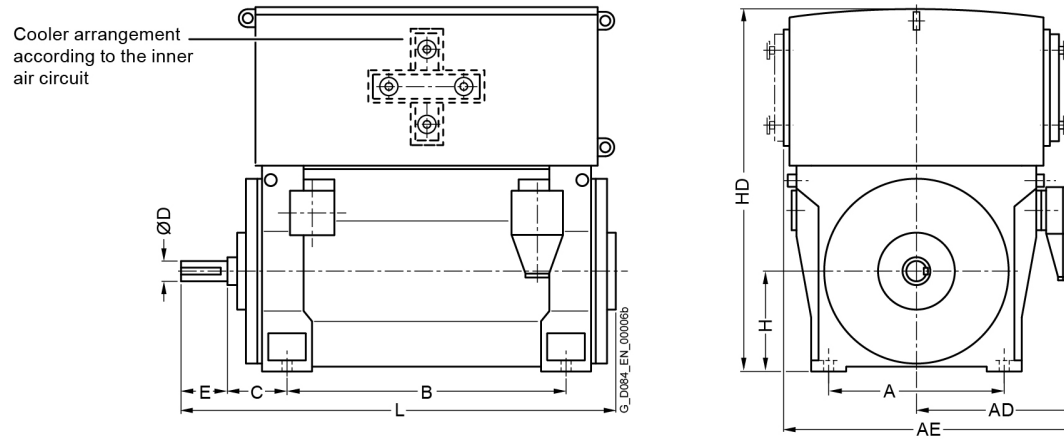
Motor type	Weight	Dimensions											
		A	AD	AE	B	C	D	E	H	HD	L	ML	
	kg	mm	mm	mm	mm	mm	mm	mm	mm	mm	mm	mm	mm
Innomotics HV M - 1SL. IC81W 6000 V / 50 Hz B3 (IM 1001) - Dimension drawings													
1SL8 717-2NA60-0CJ0	16350	1500	1620	2720	2240	560	180	240	710	2460	3520	o.r.	
1SL8 718-2NA60-0CJ0	17300	1500	1620	2720	2240	560	180	240	710	2460	3520	o.r.	
4-pole													
1SL7 453-4NA60-0CA2	4400	850	925	1545	1180	250	130	200	450	1740	1920	o.r.	
1SL7 453-4NA60-0CC2	4450	850	925	1545	1180	500	130	200	450	1740	2390	o.r.	
1SL7 453-4NA60-0AA0	4250	850	925	1545	1180	250	130	200	450	1740	1920	o.r.	
1SL7 453-4NA60-0AC0	4300	850	925	1545	1180	500	130	200	450	1740	2390	o.r.	
1SL7 454-4NA60-0AA0	4450	850	925	1545	1180	250	130	200	450	1740	1920	o.r.	
1SL7 454-4NA60-0AC0	4450	850	925	1545	1180	500	130	200	450	1740	2390	o.r.	
1SL7 454-4NA60-0CA2	4600	850	925	1545	1180	250	130	200	450	1740	1920	o.r.	
1SL7 454-4NA60-0CC2	4600	850	925	1545	1180	500	130	200	450	1740	2390	o.r.	
1SL7 457-4NA60-0AA2	5000	850	925	1545	1400	250	130	200	450	1740	2130	o.r.	
1SL7 457-4NA60-0AC2	5050	850	925	1545	1400	500	130	200	450	1740	2600	o.r.	
1SL7 457-4NA60-0CA2	5200	850	925	1545	1400	250	130	200	450	1740	2130	o.r.	
1SL7 457-4NA60-0CC2	5200	850	925	1545	1400	500	130	200	450	1740	2600	o.r.	
1SL7 458-4NA60-0AA0	5200	850	925	1545	1400	250	130	200	450	1740	2130	o.r.	
1SL7 458-4NA60-0AC0	5250	850	925	1545	1400	500	130	200	450	1740	2600	o.r.	
1SL7 458-4NA60-0CA2	5400	850	925	1545	1400	250	130	200	450	1740	2130	o.r.	
1SL7 458-4NA60-0CC2	5450	850	925	1545	1400	500	130	200	450	1740	2600	o.r.	
1SL7 503-4NA60-0AA2	5950	950	1005	1705	1320	315	160	240	500	1790	2180	o.r.	
1SL7 503-4NA60-0AC2	6050	950	1005	1705	1320	560	170	240	500	1790	2620	o.r.	
1SL7 503-4NA60-0CA2	6100	950	1005	1705	1320	315	160	240	500	1790	2180	o.r.	
1SL7 503-4NA60-0CC2	6200	950	1005	1705	1320	560	170	240	500	1790	2620	o.r.	



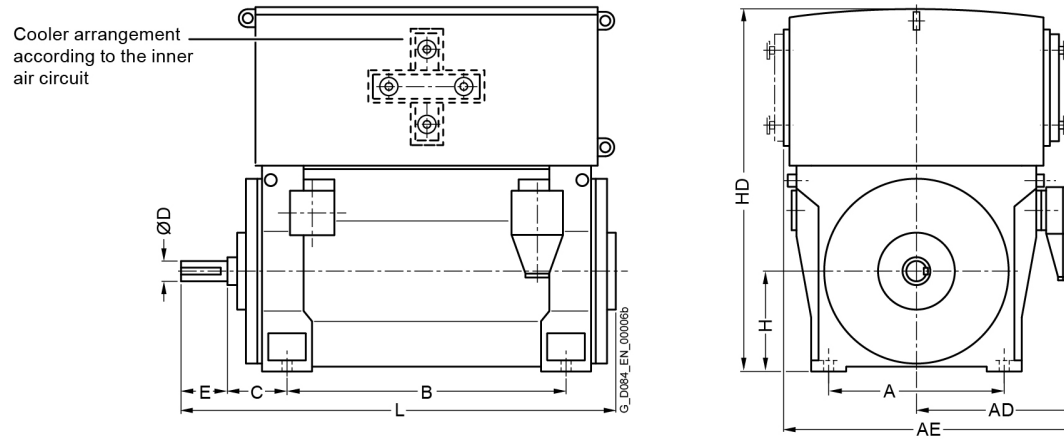
Motor type	Weight kg	Dimensions										
		A mm	AD mm	AE mm	B mm	C mm	D mm	E mm	H mm	HD mm	L mm	ML mm
Innomotics HV M - 1SL. IC81W 6000 V / 50 Hz B3 (IM 1001) - Dimension drawings												
1SL7 504-4NA60-0AA2	6250	950	1005	1705	1320	315	160	240	500	1790	2180	o.r.
1SL7 504-4NA60-0AC2	6300	950	1005	1705	1320	560	170	240	500	1790	2620	o.r.
1SL7 504-4NA60-0CA2	6400	950	1005	1705	1320	315	160	240	500	1790	2180	o.r.
1SL7 504-4NA60-0CC2	6450	950	1005	1705	1320	560	170	240	500	1790	2620	o.r.
1SL7 507-4NA60-0AA2	6950	950	1005	1705	1500	315	160	240	500	1790	2390	o.r.
1SL7 507-4NA60-0AC2	7000	950	1005	1705	1500	560	170	240	500	1790	2830	o.r.
1SL7 507-4NA60-0CA2	7100	950	1005	1705	1500	315	160	240	500	1790	2390	o.r.
1SL7 507-4NA60-0CC2	7150	950	1005	1705	1500	560	170	240	500	1790	2830	o.r.
1SL7 508-4NA60-0CA2	7450	950	1005	1705	1500	315	160	240	500	1790	2390	o.r.
1SL7 508-4NA60-0CC2	7550	950	1005	1705	1500	560	170	240	500	1790	2830	o.r.
1SL7 508-4NA60-0AA2	7200	950	1005	1705	1500	315	160	240	500	1790	2390	o.r.
1SL7 508-4NA60-0AC2	7250	950	1005	1705	1500	560	170	240	500	1790	2830	o.r.
1SL7 562-4NA60-0CA2	7800	1060	1290	2060	1400	335	190	280	560	1970	2390	o.r.
1SL7 562-4NA60-0CC2	7850	1060	1290	2060	1400	600	190	280	560	1970	2850	o.r.
1SL7 563-4NA60-0CA2	8000	1060	1290	2060	1400	335	190	280	560	1970	2390	o.r.
1SL7 563-4NA60-0CC2	8100	1060	1290	2060	1400	600	190	280	560	1970	2850	o.r.
1SL7 564-4NA60-0CA2	8500	1060	1290	2060	1400	335	190	280	560	1970	2390	o.r.
1SL7 564-4NA60-0CC2	8550	1060	1290	2060	1400	600	190	280	560	1970	2850	o.r.
1SL7 566-4NA60-0CA2	9300	1060	1290	2060	1600	335	190	280	560	1970	2620	o.r.
1SL7 566-4NA60-0CC2	9350	1060	1290	2060	1600	600	190	280	560	1970	3080	o.r.
1SL7 567-4NA60-0CA2	9800	1060	1290	2060	1600	335	190	280	560	1970	2620	o.r.
1SL7 567-4NA60-0CC2	9850	1060	1290	2060	1600	600	190	280	560	1970	3080	o.r.
1SL7 568-4NA60-0CA2	10250	1060	1290	2060	1600	335	190	280	560	1970	2620	o.r.



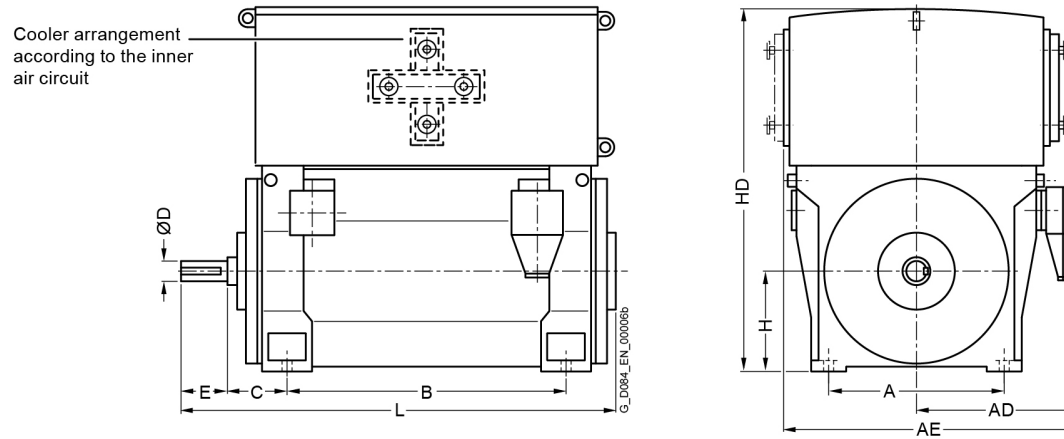
Motor type	Weight	Dimensions										
		A	AD	AE	B	C	D	E	H	HD	L	ML
	kg	mm	mm	mm	mm	mm	mm	mm	mm	mm	mm	mm
Innomotics HV M - 1SL. IC81W 6000 V / 50 Hz B3 (IM 1001) - Dimension drawings												
1SL7 568-4NA60-0CC2	10300	1060	1290	2060	1600	600	190	280	560	1970	3080	o.r.
1SL8 633-4NA60-0CG0	10550	1320	1520	2520	1600	375	200	280	630	2250	2610	o.r.
1SL8 633-4NA60-0CJ0	10650	1320	1520	2520	1600	630	200	280	630	2250	3090	o.r.
1SL8 634-4NA60-0CG0	10950	1320	1520	2520	1600	375	200	280	630	2250	2610	o.r.
1SL8 634-4NA60-0CJ0	11100	1320	1520	2520	1600	630	200	280	630	2250	3090	o.r.
1SL8 637-4NA60-0CG0	11850	1320	1520	2520	1800	375	200	280	630	2250	2810	o.r.
1SL8 637-4NA60-0CJ0	11950	1320	1520	2520	1800	630	200	280	630	2250	3290	o.r.
1SL8 638-4NA60-0CG0	12550	1320	1520	2520	1800	375	200	280	630	2250	2810	o.r.
1SL8 638-4NA60-0CJ0	12650	1320	1520	2520	1800	630	200	280	630	2250	3290	o.r.
1SL8 712-4NA60-0CG0	14300	1500	1620	2720	2000	375	220	280	710	2550	3010	o.r.
1SL8 712-4NA60-0CJ0	14450	1500	1620	2720	2000	630	220	280	710	2550	3480	o.r.
1SL8 713-4NA60-0CG0	15000	1500	1620	2720	2000	375	220	280	710	2550	3010	o.r.
1SL8 713-4NA60-0CJ0	15100	1500	1620	2720	2000	630	220	280	710	2550	3480	o.r.
1SL8 714-4NA60-0CG0	15800	1500	1620	2720	2000	375	220	280	710	2550	3010	o.r.
1SL8 714-4NA60-0CJ0	15950	1500	1620	2720	2000	630	220	280	710	2550	3480	o.r.
1SL8 717-4NA60-0CG0	17000	1500	1620	2720	2240	375	220	280	710	2460	3250	o.r.
1SL8 717-4NA60-0CJ0	17150	1500	1620	2720	2240	630	220	280	710	2460	3720	o.r.
1SL8 718-4NA60-0CG0	17550	1500	1620	2720	2240	375	220	280	710	2460	3250	o.r.
1SL8 718-4NA60-0CJ0	17700	1500	1620	2720	2240	630	220	280	710	2460	3720	o.r.
6-pole												
1SL7 453-6NA60-0AA0	4250	850	925	1545	1180	250	130	200	450	1740	1920	o.r.
1SL7 453-6NA60-0AC0	4300	850	925	1545	1180	500	130	200	450	1740	2390	o.r.
1SL7 453-6NA60-0CA0	4400	850	925	1545	1180	250	130	200	450	1740	1920	o.r.



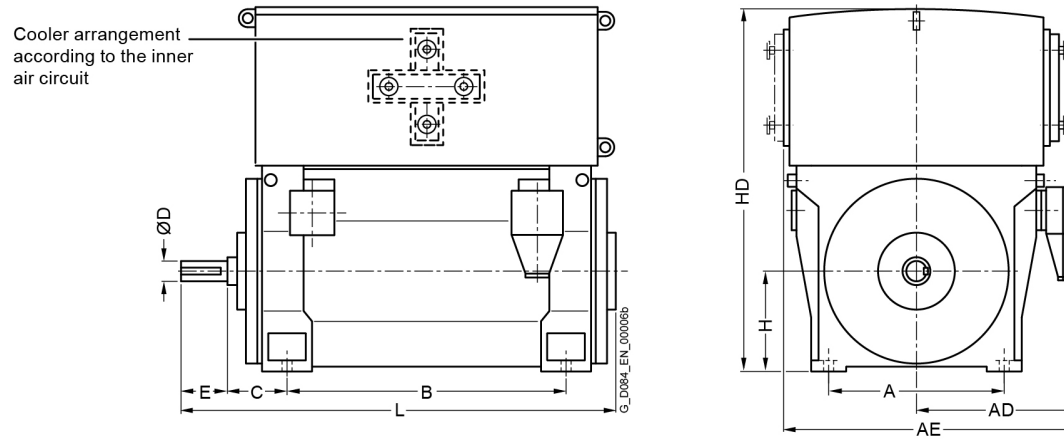
Motor type	Weight kg	Dimensions										
		A mm	AD mm	AE mm	B mm	C mm	D mm	E mm	H mm	HD mm	L mm	ML mm
Innomotics HV M - 1SL. IC81W 6000 V / 50 Hz B3 (IM 1001) - Dimension drawings												
1SL7 453-6NA60-0CC0	4450	850	925	1545	1180	500	130	200	450	1740	2390	o.r.
1SL7 454-6NA60-0AA0	4450	850	925	1545	1180	250	130	200	450	1740	1920	o.r.
1SL7 454-6NA60-0AC0	4500	850	925	1545	1180	500	130	200	450	1740	2390	o.r.
1SL7 454-6NA60-0CA0	4650	850	925	1545	1180	250	130	200	450	1740	1920	o.r.
1SL7 454-6NA60-0CC0	4650	850	925	1545	1180	500	130	200	450	1740	2390	o.r.
1SL7 457-6NA60-0AA0	4900	850	925	1545	1400	250	130	200	450	1740	2130	o.r.
1SL7 457-6NA60-0AC0	4950	850	925	1545	1400	500	130	200	450	1740	2600	o.r.
1SL7 457-6NA60-0CA0	5100	850	925	1545	1400	250	130	200	450	1740	2130	o.r.
1SL7 457-6NA60-0CC0	5150	850	925	1545	1400	500	130	200	450	1740	2600	o.r.
1SL7 458-6NA60-0AA0	5200	850	925	1545	1400	250	130	200	450	1740	2130	o.r.
1SL7 458-6NA60-0AC0	5200	850	925	1545	1400	500	130	200	450	1740	2600	o.r.
1SL7 458-6NA60-0CA0	5400	850	925	1545	1400	250	130	200	450	1740	2130	o.r.
1SL7 458-6NA60-0CC0	5450	850	925	1545	1400	500	130	200	450	1740	2600	o.r.
1SL7 502-6NA60-0AA2	5950	950	1005	1705	1320	315	160	240	500	1910	2180	o.r.
1SL7 502-6NA60-0AC2	6000	950	1005	1705	1320	560	170	240	500	1910	2620	o.r.
1SL7 502-6NA60-0CA2	6150	950	1005	1705	1320	315	160	240	500	1910	2180	o.r.
1SL7 502-6NA60-0CC2	6200	950	1005	1705	1320	560	170	240	500	1910	2620	o.r.
1SL7 503-6NA60-0AA2	6200	950	1005	1705	1320	315	160	240	500	1910	2180	o.r.
1SL7 503-6NA60-0AC2	6250	950	1005	1705	1320	560	170	240	500	1910	2620	o.r.
1SL7 503-6NA60-0CA2	6400	950	1005	1705	1320	315	160	240	500	1910	2180	o.r.
1SL7 503-6NA60-0CC2	6450	950	1005	1705	1320	560	170	240	500	1910	2620	o.r.
1SL7 504-6NA60-0AA2	6400	950	1005	1705	1320	315	160	240	500	1910	2180	o.r.
1SL7 504-6NA60-0AC2	6450	950	1005	1705	1320	560	170	240	500	1910	2620	o.r.



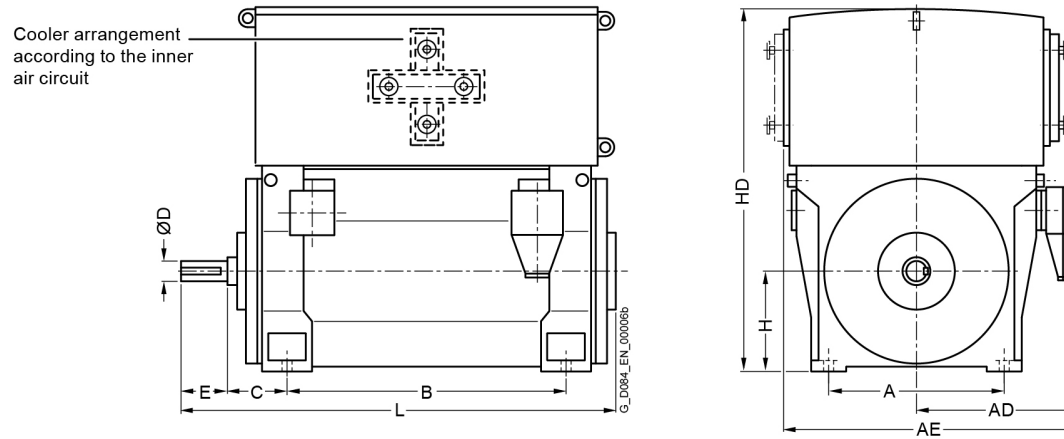
Motor type	Weight	Dimensions										
		A	AD	AE	B	C	D	E	H	HD	L	ML
	kg	mm	mm	mm	mm	mm	mm	mm	mm	mm	mm	mm
Innomotics HV M - 1SL. IC81W 6000 V / 50 Hz B3 (IM 1001) - Dimension drawings												
1SL7 504-6NA60-0CA2	6650	950	1005	1705	1320	315	160	240	500	1910	2180	o.r.
1SL7 504-6NA60-0CC2	6700	950	1005	1705	1320	560	170	240	500	1910	2620	o.r.
1SL7 507-6NA60-0AA2	7100	950	1005	1705	1500	315	160	240	500	1910	2390	o.r.
1SL7 507-6NA60-0AC2	7150	950	1005	1705	1500	560	170	240	500	1910	2830	o.r.
1SL7 507-6NA60-0CA2	7350	950	1005	1705	1500	315	160	240	500	1910	2390	o.r.
1SL7 507-6NA60-0CC2	7450	950	1005	1705	1500	560	170	240	500	1910	2830	o.r.
1SL7 508-6NA60-0AA2	7450	950	1005	1705	1500	315	160	240	500	1910	2390	o.r.
1SL7 508-6NA60-0AC2	7500	950	1005	1705	1500	560	170	240	500	1910	2830	o.r.
1SL7 508-6NA60-0CA2	7700	950	1005	1705	1500	315	160	240	500	1910	2390	o.r.
1SL7 508-6NA60-0CC2	7800	950	1005	1705	1500	560	170	240	500	1910	2830	o.r.
1SL7 562-6NA60-0CA2	8350	1060	1290	2060	1400	335	190	280	560	2110	2390	o.r.
1SL7 562-6NA60-0CC2	8450	1060	1290	2060	1400	600	190	280	560	2110	2850	o.r.
1SL7 563-6NA60-0CA2	8700	1060	1290	2060	1400	335	190	280	560	2110	2390	o.r.
1SL7 563-6NA60-0CC2	8750	1060	1290	2060	1400	600	190	280	560	2110	2850	o.r.
1SL7 564-6NA60-0CA2	9050	1060	1290	2060	1400	335	190	280	560	2110	2390	o.r.
1SL7 564-6NA60-0CC2	9100	1060	1290	2060	1400	600	190	280	560	2110	2850	o.r.
1SL7 567-6NA60-0CA2	9850	1060	1290	2060	1600	335	190	280	560	2110	2620	o.r.
1SL7 567-6NA60-0CC2	9900	1060	1290	2060	1600	600	190	280	560	2110	3080	o.r.
1SL7 568-6NA60-0CA2	10500	1060	1290	2060	1600	335	190	280	560	2110	2620	o.r.
1SL7 568-6NA60-0CC2	10550	1060	1290	2060	1600	600	190	280	560	2110	3080	o.r.
1SL8 632-6NA60-0CG0	10500	1320	1520	2520	1600	375	200	280	630	2250	2610	o.r.
1SL8 632-6NA60-0CJ0	10600	1320	1520	2520	1600	630	200	280	630	2250	3090	o.r.
1SL8 633-6NA60-0CG0	10850	1320	1520	2520	1600	375	200	280	630	2250	2610	o.r.



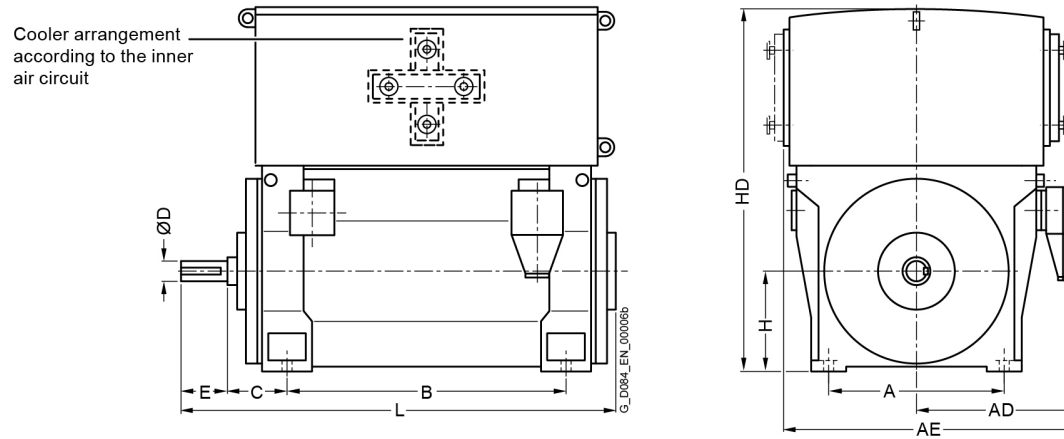
Motor type	Weight	Dimensions											
		A	AD	AE	B	C	D	E	H	HD	L	ML	
	kg	mm	mm	mm	mm	mm	mm	mm	mm	mm	mm	mm	mm
Innomotics HV M - 1SL. IC81W 6000 V / 50 Hz B3 (IM 1001) - Dimension drawings													
1SL8 633-6NA60-0CJ0	10950	1320	1520	2520	1600	630	200	280	630	2250	3090	o.r.	
1SL8 634-6NA60-0CG0	11450	1320	1520	2520	1600	375	200	280	630	2250	2610	o.r.	
1SL8 634-6NA60-0CJ0	11600	1320	1520	2520	1600	630	200	280	630	2250	3090	o.r.	
1SL8 637-6NA60-0CG0	12200	1320	1520	2520	1800	375	200	280	630	2250	2810	o.r.	
1SL8 637-6NA60-0CJ0	12350	1320	1520	2520	1800	630	200	280	630	2250	3290	o.r.	
1SL8 638-6NA60-0CG0	12800	1320	1520	2520	1800	375	200	280	630	2250	2810	o.r.	
1SL8 638-6NA60-0CJ0	12900	1320	1520	2520	1800	630	200	280	630	2250	3290	o.r.	
1SL8 712-6NA60-0CG0	14150	1500	1620	2720	2000	375	220	280	710	2550	3010	o.r.	
1SL8 712-6NA60-0CJ0	14250	1500	1620	2720	2000	630	220	280	710	2550	3480	o.r.	
1SL8 713-6NA60-0CG0	15100	1500	1620	2720	2000	375	220	280	710	2550	3010	o.r.	
1SL8 713-6NA60-0CJ0	15250	1500	1620	2720	2000	630	220	280	710	2550	3480	o.r.	
1SL8 714-6NA60-0CG0	16150	1500	1620	2720	2000	375	220	280	710	2550	3010	o.r.	
1SL8 714-6NA60-0CJ0	16300	1500	1620	2720	2000	630	220	280	710	2550	3480	o.r.	
1SL8 717-6NA60-0CG0	17650	1500	1620	2720	2240	375	220	280	710	2460	3250	o.r.	
1SL8 717-6NA60-0CJ0	17800	1500	1620	2720	2240	630	220	280	710	2460	3720	o.r.	
1SL8 718-6NA60-0CG0	18600	1500	1620	2720	2240	375	220	280	710	2460	3250	o.r.	
1SL8 718-6NA60-0CJ0	18750	1500	1620	2720	2240	630	220	280	710	2460	3720	o.r.	
8-pole													
1SL7 452-8NA60-0AA0	4250	850	925	1545	1180	250	130	200	450	1740	1920	o.r.	
1SL7 452-8NA60-0AC0	4300	850	925	1545	1180	500	130	200	450	1740	2390	o.r.	
1SL7 452-8NA60-0CA0	4400	850	925	1545	1180	250	130	200	450	1740	1920	o.r.	
1SL7 452-8NA60-0CC0	4400	850	925	1545	1180	500	130	200	450	1740	2390	o.r.	
1SL7 453-8NA60-0AA0	4450	850	925	1545	1180	250	130	200	450	1740	1920	o.r.	



Motor type	Weight kg	Dimensions										
		A mm	AD mm	AE mm	B mm	C mm	D mm	E mm	H mm	HD mm	L mm	ML mm
Innomotics HV M - 1SL. IC81W 6000 V / 50 Hz B3 (IM 1001) - Dimension drawings												
1SL7 453-8NA60-0AC0	4500	850	925	1545	1180	500	130	200	450	1740	2390	o.r.
1SL7 453-8NA60-0CA0	4600	850	925	1545	1180	250	130	200	450	1740	1920	o.r.
1SL7 453-8NA60-0CC0	4650	850	925	1545	1180	500	130	200	450	1740	2390	o.r.
1SL7 454-8NA60-0AA2	4700	850	925	1545	1180	250	130	200	450	1740	1920	o.r.
1SL7 454-8NA60-0AC2	4750	850	925	1545	1180	500	130	200	450	1740	2390	o.r.
1SL7 454-8NA60-0CA0	4850	850	925	1545	1180	250	130	200	450	1740	1920	o.r.
1SL7 454-8NA60-0CC0	4900	850	925	1545	1180	500	130	200	450	1740	2390	o.r.
1SL7 457-8NA60-0AA0	5200	850	925	1545	1400	250	130	200	450	1740	2130	o.r.
1SL7 457-8NA60-0AC0	5250	850	925	1545	1400	500	130	200	450	1740	2600	o.r.
1SL7 457-8NA60-0CA2	5400	850	925	1545	1400	250	130	200	450	1740	2130	o.r.
1SL7 457-8NA60-0CC2	5400	850	925	1545	1400	500	130	200	450	1740	2600	o.r.
1SL7 458-8NA60-0AA0	5450	850	925	1545	1400	250	130	200	450	1740	2130	o.r.
1SL7 458-8NA60-0AC0	5500	850	925	1545	1400	500	130	200	450	1740	2600	o.r.
1SL7 458-8NA60-0CA0	5650	850	925	1545	1400	250	130	200	450	1740	2130	o.r.
1SL7 458-8NA60-0CC0	5650	850	925	1545	1400	500	130	200	450	1740	2600	o.r.
1SL7 502-8NA60-0AA2	5900	950	1005	1705	1320	315	160	240	500	1910	2180	o.r.
1SL7 502-8NA60-0AC2	5950	950	1005	1705	1320	560	170	240	500	1910	2620	o.r.
1SL7 502-8NA60-0CA2	6100	950	1005	1705	1320	315	160	240	500	1910	2180	o.r.
1SL7 502-8NA60-0CC2	6150	950	1005	1705	1320	560	170	240	500	1910	2620	o.r.
1SL7 503-8NA60-0AA2	6150	950	1005	1705	1320	315	160	240	500	1910	2180	o.r.
1SL7 503-8NA60-0AC2	6200	950	1005	1705	1320	560	170	240	500	1910	2620	o.r.
1SL7 503-8NA60-0CA2	6400	950	1005	1705	1320	315	160	240	500	1910	2180	o.r.
1SL7 503-8NA60-0CC2	6450	950	1005	1705	1320	560	170	240	500	1910	2620	o.r.



Motor type	Weight	Dimensions										
		A	AD	AE	B	C	D	E	H	HD	L	ML
	kg	mm	mm	mm	mm	mm	mm	mm	mm	mm	mm	mm
Innomotics HV M - 1SL. IC81W 6000 V / 50 Hz B3 (IM 1001) - Dimension drawings												
1SL7 504-8NA60-0AA2	6450	950	1005	1705	1320	315	160	240	500	1910	2180	o.r.
1SL7 504-8NA60-0AC2	6500	950	1005	1705	1320	560	170	240	500	1910	2620	o.r.
1SL7 504-8NA60-0CA2	6700	950	1005	1705	1320	315	160	240	500	1910	2180	o.r.
1SL7 504-8NA60-0CC2	6750	950	1005	1705	1320	560	170	240	500	1910	2620	o.r.
1SL7 507-8NA60-0AA2	7150	950	1005	1705	1500	315	160	240	500	1910	2390	o.r.
1SL7 507-8NA60-0AC2	7200	950	1005	1705	1500	560	170	240	500	1910	2830	o.r.
1SL7 507-8NA60-0CA2	7400	950	1005	1705	1500	315	160	240	500	1910	2390	o.r.
1SL7 507-8NA60-0CC2	7450	950	1005	1705	1500	560	170	240	500	1910	2830	o.r.
1SL7 508-8NA60-0AA2	7450	950	1005	1705	1500	315	160	240	500	1910	2390	o.r.
1SL7 508-8NA60-0AC2	7500	950	1005	1705	1500	560	170	240	500	1910	2830	o.r.
1SL7 508-8NA60-0CA2	7750	950	1005	1705	1500	315	160	240	500	1910	2390	o.r.
1SL7 508-8NA60-0CC2	7800	950	1005	1705	1500	560	170	240	500	1910	2830	o.r.
1SL7 563-8NA60-0CA2	8400	1060	1075	1845	1400	335	190	280	560	2110	2390	o.r.
1SL7 563-8NA60-0CC2	8450	1060	1075	1845	1400	600	190	280	560	2110	2850	o.r.
1SL7 564-8NA60-0CA2	8850	1060	1075	1845	1400	335	190	280	560	2110	2390	o.r.
1SL7 564-8NA60-0CC2	8900	1060	1075	1845	1400	600	190	280	560	2110	2850	o.r.
1SL7 567-8NA60-0CA2	9700	1060	1075	1845	1600	335	190	280	560	2110	2620	o.r.
1SL7 567-8NA60-0CC2	9750	1060	1075	1845	1600	600	190	280	560	2110	3080	o.r.
1SL7 568-8NA60-0CA2	10250	1060	1075	1845	1600	335	190	280	560	2110	2620	o.r.
1SL7 568-8NA60-0CC2	10300	1060	1075	1845	1600	600	190	280	560	2110	3080	o.r.
1SL8 633-8NA60-0CG0	9750	1320	1520	2520	1600	375	200	280	630	2380	2610	o.r.
1SL8 633-8NA60-0CJ0	9850	1320	1520	2520	1600	630	200	280	630	2380	3090	o.r.
1SL8 634-8NA60-0CG0	10500	1320	1520	2520	1600	375	200	280	630	2380	2610	o.r.



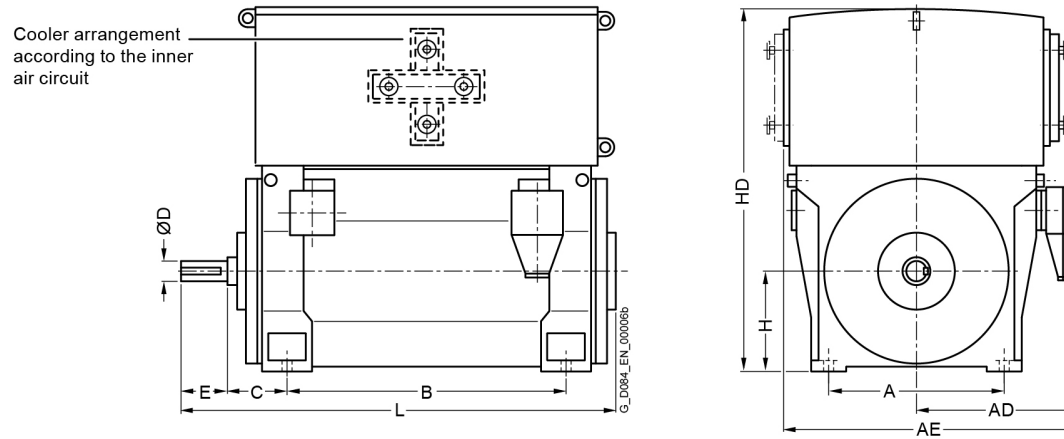
Motor type	Weight kg	Dimensions										
		A mm	AD mm	AE mm	B mm	C mm	D mm	E mm	H mm	HD mm	L mm	ML mm
Innomotics HV M - 1SL. IC81W 6000 V / 50 Hz B3 (IM 1001) - Dimension drawings												
1SL8 634-8NA60-0CJ0	10650	1320	1520	2520	1600	630	200	280	630	2380	3090	o.r.
1SL8 637-8NA60-0CG0	11750	1320	1520	2520	1800	375	200	280	630	2380	2810	o.r.
1SL8 637-8NA60-0CJ0	11850	1320	1520	2520	1800	630	200	280	630	2380	3290	o.r.
1SL8 638-8NA60-0CG0	12450	1320	1520	2520	1800	375	200	280	630	2380	2810	o.r.
1SL8 638-8NA60-0CJ0	12550	1320	1520	2520	1800	630	200	280	630	2380	3290	o.r.
1SL8 712-8NA60-0CG0	13750	1500	1620	2720	2000	375	220	280	710	2550	3010	o.r.
1SL8 712-8NA60-0CJ0	13950	1500	1620	2720	2000	630	220	280	710	2550	3480	o.r.
1SL8 713-8NA60-0CG0	14500	1500	1620	2720	2000	375	220	280	710	2550	3010	o.r.
1SL8 713-8NA60-0CJ0	14700	1500	1620	2720	2000	630	220	280	710	2550	3480	o.r.
1SL8 714-8NA60-0CG0	15700	1500	1620	2720	2000	375	220	280	710	2550	3010	o.r.
1SL8 714-8NA60-0CJ0	15900	1500	1620	2720	2000	630	220	280	710	2550	3480	o.r.
1SL8 717-8NA60-0CG0	17250	1500	1620	2720	2240	375	220	280	710	2460	3250	o.r.
1SL8 717-8NA60-0CJ0	17450	1500	1620	2720	2240	630	220	280	710	2460	3720	o.r.
1SL8 718-8NA60-0CG0	18300	1500	1620	2720	2240	375	220	280	710	2460	3250	o.r.
1SL8 718-8NA60-0CJ0	18500	1500	1620	2720	2240	630	220	280	710	2460	3720	o.r.

Innomotics HV M - 1SL IC81W 6600 V / 60 Hz B3 (IM 1001)																					
Rated power IEC	Article No.	Speed	Rated current				Efficiency				Power factor				Torque	Breakdown torque	Locked rotor torque	Locked rotor current	Inertia		
			I_R	5/4 load	4/4 load	3/4 load	2/4 load	5/4 load	4/4 load	3/4 load	2/4 load	5/4 load	4/4 load	3/4 load					2/4 load	T_R	T_B/ T_R
kW		rpm	A	%	%	%	%	cos φ	cos φ	cos φ	cos φ	Nm	[-]	[-]	[-]	[-]	kgm ²	kgm ²	[-]		
2-pole: n_{sync} = 3600 rpm at 60 Hz																					
1760	1SL7 452-2NA10-0C.0	3572	182	95.5	96.1	96.2	95.8	0.86	0.88	0.88	0.87	4705	2.00	0.50	4.5	13	80	o.r.			
2000	1SL7 453-2NA10-0A.0	3574	210	95.7	96.3	96.4	95.9	0.85	0.87	0.85	0.81	5344	2.05	0.40	5.0	10	15	o.r.			
2050	1SL7 453-2NA10-0C.0	3572	210	95.6	96.3	96.3	95.9	0.86	0.88	0.88	0.87	5480	2.00	0.50	4.5	14	80	o.r.			
2150	1SL7 454-2NA10-0A.0	3575	220	95.8	96.4	96.5	96.1	0.87	0.88	0.87	0.83	5743	2.20	0.50	5.1	11	20	o.r.			
2200	1SL7 454-2NA10-0C.0	3573	225	95.8	96.4	96.4	96.1	0.88	0.89	0.90	0.88	5880	2.10	0.50	5.0	15	85	o.r.			
2400	1SL7 457-2NA10-0A.0	3575	245	96.0	96.5	96.6	96.1	0.86	0.88	0.87	0.83	6411	2.20	0.50	5.2	12	20	o.r.			
2450	1SL7 457-2NA10-0C.0	3574	250	95.9	96.5	96.6	96.2	0.87	0.89	0.89	0.88	6546	2.10	0.50	5.0	16	90	o.r.			
2550	1SL7 458-2NA10-0A.0	3576	255	96.1	96.7	96.8	96.4	0.88	0.90	0.89	0.86	6809	2.30	0.55	5.5	13	25	o.r.			
2600	1SL7 458-2NA10-0C.0	3574	260	96.1	96.6	96.8	96.4	0.89	0.91	0.91	0.90	6947	2.25	0.60	5.2	17	95	o.r.			
3150	1SL7 503-2NA10-0C.0	3573	325	96.2	96.6	96.8	96.6	0.87	0.88	0.89	0.86	8419	2.15	0.60	4.2	20	62	o.r.			
3400	1SL7 504-2NA10-0C.0	3573	350	96.3	96.7	96.9	96.7	0.87	0.88	0.89	0.84	9087	2.15	0.60	4.2	21	58	o.r.			
3800	1SL7 507-2NA10-0C.0	3574	385	96.5	96.9	97.1	96.9	0.88	0.89	0.90	0.87	10153	2.20	0.65	4.4	24	64	o.r.			
4200	1SL7 508-2NA10-0C.0	3578	420	96.8	97.1	97.2	96.9	0.90	0.90	0.90	0.86	11209	2.55	0.70	5.3	27	74	o.r.			
4910	1SL7 562-2NA10-0CC0	3578	500	96.3	96.7	96.8	96.4	0.85	0.88	0.88	0.86	13104	2.00	0.50	4.6	41	145	o.r.			
5730	1SL7 564-2NA10-0CC0	3581	590	96.5	96.9	96.9	96.4	0.86	0.88	0.88	0.86	15280	2.15	0.50	4.9	47	160	o.r.			
6010	1SL7 567-2NA10-0CC0	3581	600	96.6	97.0	97.0	96.6	0.88	0.90	0.90	0.88	16027	2.30	0.50	5.2	52	180	o.r.			
6960	1SL7 568-2NA10-0CC0	3583	700	96.9	97.2	97.2	96.8	0.88	0.90	0.89	0.87	18550	2.35	0.55	5.4	58	185	o.r.			
7500	1SL8 632-2NA10-0CJ0	3579	780	96.5	97.0	96.8	96.1	0.84	0.87	0.88	0.88	20011	1.85	0.45	4.4	75	120	o.r.			
8350	1SL8 633-2NA10-0CJ0	3580	850	96.7	97.1	96.9	96.3	0.85	0.88	0.89	0.89	22273	1.90	0.50	4.6	82	120	o.r.			
9200	1SL8 634-2NA10-0CJ0	3580	930	97.0	97.3	97.1	96.4	0.87	0.89	0.90	0.89	24540	2.10	0.50	5.0	90	120	o.r.			
10400	1SL8 637-2NA10-0CJ0	3581	1040	97.0	97.4	97.2	96.6	0.87	0.90	0.90	0.90	27733	2.10	0.55	5.0	99	100	o.r.			
11550	1SL8 638-2NA10-0CJ0	3582	1160	97.2	97.5	97.3	96.8	0.88	0.90	0.91	0.90	30791	2.15	0.55	5.2	108	100	o.r.			
12400	1SL8 713-2NA10-0CJ0	3584	1260	96.8	97.0	96.8	96.1	0.85	0.89	0.89	0.89	33039	1.80	0.40	4.1	160	50	o.r.			
13700	1SL8 714-2NA10-0CJ0	3585	1360	97.1	97.2	97.0	96.3	0.88	0.90	0.90	0.90	36492	1.95	0.50	4.7	173	40	o.r.			
15300	1SL8 716-2NA10-0CJ0	3585	1520	97.2	97.3	97.1	96.4	0.88	0.90	0.90	0.90	40754	2.00	0.55	4.8	186	30	o.r.			
16000	1SL8 717-2NA10-0CJ0	3586	1580	97.3	97.4	97.1	96.4	0.89	0.91	0.91	0.90	42607	2.15	0.40	5.0	202	30	o.r.			
4-pole: n_{sync} = 1800 rpm at 60 Hz																					
1850	1SL7 453-4NA10-0A.0	1779	194	95.2	96.0	96.4	96.3	0.86	0.87	0.85	0.80	9930	2.10	0.55	5.0	17	150	o.r.			
1930	1SL7 453-4NA10-0C.0	1782	200	95.4	96.2	96.5	96.4	0.86	0.87	0.85	0.80	10342	2.05	0.45	4.5	23	270	o.r.			
2030	1SL7 454-4NA10-0A.0	1781	210	95.5	96.2	96.5	96.4	0.87	0.88	0.85	0.79	10884	2.25	0.65	5.2	19	185	o.r.			
2110	1SL7 454-4NA10-0C.0	1783	220	95.6	96.3	96.6	96.6	0.87	0.88	0.87	0.82	11301	2.05	0.45	4.5	25	300	o.r.			
2350	1SL7 457-4NA10-0A.0	1782	240	95.9	96.5	96.7	96.6	0.88	0.88	0.86	0.79	12593	2.45	0.75	5.8	22	245	o.r.			
2450	1SL7 457-4NA10-0C.0	1785	250	96.0	96.6	96.9	96.7	0.88	0.89	0.87	0.82	13107	2.20	0.50	5.0	30	385	o.r.			
2550	1SL7 458-4NA10-0A.0	1782	260	96.0	96.6	96.8	96.7	0.88	0.89	0.87	0.81	13665	2.45	0.75	5.8	24	250	o.r.			
2700	1SL7 458-4NA10-0C.0	1786	275	96.2	96.8	97.0	96.8	0.88	0.89	0.87	0.81	14436	2.35	0.55	5.2	32	415	o.r.			
3050	1SL7 503-4NA10-0A.0	1784	315	96.2	96.8	97.1	97.0	0.86	0.87	0.87	0.83	16326	2.15	0.65	4.7	37	370	o.r.			

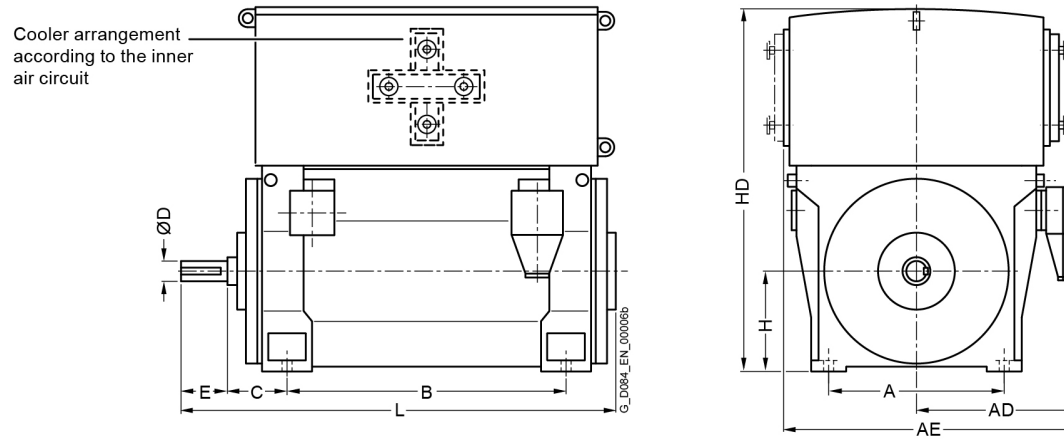
Innomotics HV M - 1SL IC81W 6600 V / 60 Hz B3 (IM 1001)																		
Rated power IEC	Article No.	Speed	Rated current I_R	Efficiency				Power factor				Torque T_R	Breakdown torque T_B/ T_R	Locked torque T_{LR}/ T_R	Locked rotor current I_{LR}/ I_R	Inertia		
				5/4 load	4/4 load	3/4 load	2/4 load	5/4 load	4/4 load	3/4 load	2/4 load					motor	external	Startup max T/TR
kW		rpm	A	%	%	%	%	$\cos \varphi$	$\cos \varphi$	$\cos \varphi$	$\cos \varphi$	Nm	[-]	[-]	[-]	kgm ²	kgm ²	[-]
3000	1SL7 503-4NA10-0C.0	1786	310	96.4	96.9	97.2	97.0	0.87	0.88	0.87	0.84	16040	2.10	0.50	4.4	45	235	o.r.
3400	1SL7 504-4NA10-0A.0	1784	350	96.4	96.9	97.2	97.1	0.87	0.88	0.87	0.82	18199	2.25	0.70	5.0	40	480	o.r.
3450	1SL7 504-4NA10-0C.0	1786	350	96.5	97.0	97.3	97.1	0.87	0.89	0.87	0.84	18446	2.20	0.50	4.5	50	550	o.r.
3750	1SL7 507-4NA10-0A.0	1786	385	96.6	97.0	97.3	97.0	0.87	0.88	0.86	0.80	20050	2.40	0.80	5.4	46	415	o.r.
3800	1SL7 507-4NA10-0C.0	1788	385	96.7	97.1	97.3	97.1	0.88	0.89	0.87	0.83	20295	2.40	0.55	5.0	56	465	o.r.
4000	1SL7 508-4NA10-0A.0	1786	405	96.7	97.1	97.3	97.1	0.88	0.89	0.87	0.82	21387	2.60	0.90	5.8	50	405	o.r.
4100	1SL7 508-4NA10-0C.0	1788	415	96.8	97.2	97.4	97.1	0.88	0.89	0.88	0.83	21897	2.45	0.60	5.1	62	440	o.r.
4400	1SL7 563-4NA10-0C.0	1789	450	96.8	97.2	97.5	97.3	0.86	0.88	0.88	0.85	23486	2.00	0.55	4.8	80	470	o.r.
5000	1SL7 564-4NA10-0C.0	1790	505	97.0	97.3	97.6	97.4	0.88	0.89	0.89	0.86	26674	2.15	0.65	5.2	90	520	o.r.
5650	1SL7 566-4NA10-0C.0	1789	564	97.0	97.4	97.7	97.6	0.88	0.90	0.89	0.87	30158	2.10	0.60	5.1	100	565	o.r.
6300	1SL7 567-4NA10-0C.0	1789	628	97.1	97.5	97.8	97.7	0.88	0.90	0.90	0.88	33628	2.10	0.60	5.1	110	610	o.r.
7100	1SL7 568-4NA10-0C.0	1789	707	97.2	97.6	97.9	97.8	0.88	0.90	0.90	0.89	37898	2.00	0.60	4.9	119	640	o.r.
7800	1SL8 633-4NA10-0C.0	1789	790	97.0	97.4	97.5	97.3	0.87	0.89	0.88	0.85	41635	2.05	0.50	5.0	151	310	o.r.
8950	1SL8 634-4NA10-0C.0	1789	900	97.1	97.5	97.7	97.5	0.87	0.89	0.88	0.86	47773	2.05	0.50	5.0	166	310	o.r.
10100	1SL8 637-4NA10-0C.0	1790	1020	97.3	97.6	97.7	97.5	0.87	0.89	0.88	0.85	53882	2.10	0.50	5.0	182	330	o.r.
10750	1SL8 638-4NA10-0C.0	1790	1060	97.2	97.7	97.8	97.7	0.87	0.90	0.90	0.88	57349	2.10	0.50	5.0	198	370	o.r.
11100	1SL8 712-4NA10-0C.0	1791	1120	97.4	97.6	97.7	97.4	0.88	0.89	0.88	0.85	59183	2.30	0.50	5.3	259	380	o.r.
12150	1SL8 713-4NA10-0C.0	1791	1220	97.5	97.7	97.8	97.5	0.88	0.89	0.89	0.85	64782	2.40	0.50	5.7	284	410	o.r.
13500	1SL8 714-4NA10-0C.0	1791	1340	97.5	97.8	97.8	97.6	0.88	0.90	0.89	0.86	71980	2.40	0.50	5.7	312	420	o.r.
15000	1SL8 717-4NA10-0C.0	1791	1500	97.5	97.8	97.9	97.6	0.89	0.90	0.90	0.86	79977	2.40	0.50	5.8	346	460	o.r.
15400	1SL8 718-4NA10-0C.0	1791	1520	97.6	97.8	97.9	97.7	0.90	0.91	0.91	0.88	82110	2.45	0.55	5.9	365	500	o.r.
6-pole: $n_{sync} = 1200$ rpm at 60 Hz																		
1420	1SL7 452-6NA10-0A.0	1187	158	94.9	95.7	96.0	96.0	0.82	0.82	0.78	0.68	11424	2.10	0.70	5.0	20	480	o.r.
1580	1SL7 453-6NA10-0A.0	1187	174	95.1	95.9	96.2	96.3	0.82	0.83	0.79	0.70	12711	2.10	0.70	5.0	22	595	o.r.
1600	1SL7 453-6NA10-0C.0	1187	172	95.0	95.9	96.3	96.4	0.83	0.85	0.83	0.77	12872	2.00	0.55	4.5	30	790	o.r.
1720	1SL7 454-6NA10-0A.0	1188	186	95.2	96.0	96.3	96.4	0.83	0.84	0.80	0.71	13826	2.10	0.70	5.0	24	640	o.r.
1750	1SL7 454-6NA10-0C.0	1187	188	95.1	96.0	96.4	96.5	0.84	0.85	0.83	0.78	14079	2.00	0.55	4.5	33	835	o.r.
1880	1SL7 457-6NA10-0A.0	1188	200	95.3	96.1	96.5	96.5	0.83	0.85	0.82	0.74	15112	2.10	0.70	5.0	28	710	o.r.
1900	1SL7 457-6NA10-0C.0	1187	200	95.3	96.1	96.5	96.6	0.84	0.86	0.84	0.79	15285	2.05	0.55	4.6	36	950	o.r.
2070	1SL7 458-6NA10-0A.0	1189	220	95.6	96.3	96.6	96.6	0.84	0.85	0.81	0.73	16625	2.20	0.80	5.4	31	780	o.r.
2100	1SL7 458-6NA10-0C.0	1189	220	95.6	96.3	96.7	96.7	0.85	0.87	0.85	0.79	16866	2.20	0.65	5.0	41	990	o.r.
2520	1SL7 503-6NA10-0A.0	1189	270	95.9	96.5	96.9	96.8	0.83	0.84	0.81	0.73	20239	2.15	0.80	4.6	46	1200	o.r.
2440	1SL7 503-6NA10-0C.0	1191	260	96.1	96.7	97.0	96.9	0.84	0.85	0.83	0.77	19564	2.15	0.70	4.4	60	1250	o.r.
2820	1SL7 504-6NA10-0A.0	1190	305	96.1	96.7	96.9	96.9	0.83	0.83	0.79	0.70	22629	2.25	0.90	4.7	51	1350	o.r.
2860	1SL7 504-6NA10-0C.0	1191	305	96.3	96.8	97.1	97.0	0.84	0.85	0.82	0.76	22931	2.15	0.70	4.3	66	1400	o.r.
3050	1SL7 507-6NA10-0A.0	1190	330	96.3	96.8	97.1	97.0	0.83	0.84	0.80	0.71	24475	2.30	0.85	4.9	58	1500	o.r.
3140	1SL7 507-6NA10-0C.0	1191	335	96.4	97.0	97.2	97.1	0.84	0.85	0.83	0.77	25176	2.15	0.65	4.4	74	1550	o.r.

Innomotics HV M - 1SL IC81W 6600 V / 60 Hz B3 (IM 1001)																			
Rated power IEC	Article No.	Speed	Rated current I_R	Efficiency				Power factor				Torque T_R	Breakdown torque T_B/ T_R	Locked rotor torque T_{LR}/ T_R	Locked rotor current I_{LR}/ I_R	Inertia			
				5/4 load	4/4 load	3/4 load	2/4 load	5/4 load	4/4 load	3/4 load	2/4 load					motor	external	Startup max T/TR	
kW		rpm	A	%	%	%	%	cos φ	cos φ	cos φ	cos φ	Nm	[-]	[-]	[-]	kgm ²	kgm ²	[-]	
3250	1SL7 508-6NA10-0C.0	1192	340	96.5	97.0	97.2	97.2	0.85	0.86	0.84	0.78	26036	2.20	0.75	4.5	81	1650	o.r.	
3160	1SL7 508-6NA10-0A.0	1189	330	96.3	96.8	97.2	97.2	0.84	0.86	0.85	0.79	25379	2.15	0.85	4.7	63	1600	o.r.	
4000	1SL7 562-6NA10-0C.0	1191	425	96.4	96.9	97.1	96.9	0.84	0.85	0.84	0.79	32072	2.20	0.60	4.8	105	1140	o.r.	
3550	1SL7 562-6NA10-0H.0	1192	375	96.4	96.9	97.0	96.8	0.85	0.86	0.85	0.81	28440	2.25	0.60	5.0	105	1180	o.r.	
4650	1SL7 567-6NA10-0C.0	1192	480	96.6	97.1	97.3	97.2	0.85	0.87	0.86	0.82	37252	2.25	0.60	5.0	134	1490	o.r.	
5100	1SL7 568-6NA10-0C.0	1193	530	96.9	97.3	97.4	97.3	0.86	0.87	0.86	0.82	40823	2.35	0.65	5.2	150	1930	o.r.	
5900	1SL8 632-6NA10-0C.0	1191	620	96.7	97.1	97.3	97.0	0.84	0.86	0.83	0.77	47305	2.10	0.50	4.8	193	1120	o.r.	
6650	1SL8 633-6NA10-0C.0	1191	700	96.8	97.2	97.4	97.1	0.84	0.86	0.83	0.77	53319	2.10	0.53	4.8	209	1110	o.r.	
7150	1SL8 634-6NA10-0C.0	1191	740	96.8	97.3	97.4	97.2	0.85	0.87	0.84	0.78	57328	2.10	0.54	4.8	227	1250	o.r.	
7800	1SL8 637-6NA10-0C.0	1191	810	96.9	97.3	97.5	97.3	0.85	0.87	0.85	0.79	62539	2.10	0.55	4.8	247	1350	o.r.	
8350	1SL8 638-6NA10-0C.0	1191	860	97.0	97.4	97.5	97.3	0.85	0.87	0.85	0.79	66949	2.15	0.56	4.9	265	1490	o.r.	
8900	1SL8 712-6NA10-0C.0	1193	930	97.2	97.6	97.7	97.5	0.85	0.86	0.85	0.79	71240	2.15	0.50	5.1	331	1270	o.r.	
9750	1SL8 713-6NA10-0C.0	1194	1000	97.3	97.6	97.7	97.5	0.85	0.87	0.84	0.78	77978	2.30	0.55	5.4	374	1550	o.r.	
10800	1SL8 714-6NA10-0C.0	1194	1100	97.3	97.7	97.8	97.5	0.86	0.88	0.85	0.80	86376	2.30	0.55	5.4	424	1780	o.r.	
12000	1SL8 717-6NA10-0C.0	1194	1220	97.4	97.7	97.9	97.6	0.87	0.88	0.86	0.80	95973	2.35	0.60	5.5	478	2080	o.r.	
13000	1SL8 718-6NA10-0C.0	1194	1320	97.5	97.8	97.9	97.6	0.87	0.88	0.86	0.80	103971	2.45	0.60	5.5	524	2300	o.r.	
8-pole: n _{sync} = 900 rpm at 60 Hz																			
1040	1SL7 452-8NA10-0A.0	889	120	94.3	95.3	95.6	95.3	0.79	0.80	0.75	0.64	11171	1.80	0.55	4.5	25	1150	o.r.	
1110	1SL7 452-8NA10-0C.0	889	126	94.2	95.2	95.6	95.4	0.80	0.81	0.78	0.68	11923	1.85	0.50	4.5	32	1510	o.r.	
1130	1SL7 453-8NA10-0A.0	889	128	94.5	95.5	95.8	95.6	0.79	0.81	0.77	0.67	12138	1.80	0.55	4.5	28	1180	o.r.	
1220	1SL7 453-8NA10-0C.0	889	136	94.4	95.5	95.9	95.8	0.80	0.82	0.79	0.71	13105	1.85	0.50	4.5	36	1600	o.r.	
1250	1SL7 454-8NA10-0A.0	890	142	94.5	95.5	95.8	95.6	0.80	0.81	0.77	0.66	13412	1.85	0.55	4.5	31	1200	o.r.	
1300	1SL7 454-8NA10-0C.0	890	144	94.6	95.5	95.8	95.6	0.82	0.83	0.79	0.69	13948	2.00	0.55	4.5	40	1650	o.r.	
1400	1SL7 457-8NA10-0A.0	890	158	94.8	95.7	96.0	95.7	0.80	0.81	0.77	0.66	15021	1.90	0.60	4.5	35	1740	o.r.	
1460	1SL7 457-8NA10-0C.0	890	160	94.9	95.7	96.0	95.8	0.82	0.83	0.79	0.69	15665	2.05	0.55	5.0	45	2200	o.r.	
1530	1SL7 458-8NA10-0A.0	890	172	94.9	95.8	96.1	95.8	0.80	0.81	0.77	0.67	16416	1.90	0.60	4.5	39	1950	o.r.	
1570	1SL7 458-8NA10-0C.0	891	172	95.1	95.9	96.1	95.9	0.82	0.83	0.79	0.70	16826	2.15	0.55	5.0	50	2250	o.r.	
1680	1SL7 502-8NA10-0C.0	891	188	95.5	96.2	96.7	96.7	0.80	0.81	0.80	0.73	18005	2.00	0.45	3.7	59	2620	o.r.	
1800	1SL7 503-8NA10-0A.0	893	205	95.8	96.3	96.6	96.3	0.80	0.80	0.75	0.65	19248	2.15	0.75	4.3	51	2100	o.r.	
1830	1SL7 503-8NA10-0C.0	892	205	95.8	96.4	96.7	96.6	0.81	0.82	0.79	0.70	19591	2.15	0.55	4.0	65	2720	o.r.	
2000	1SL7 504-8NA10-0A.0	893	225	96.0	96.5	96.7	96.5	0.81	0.81	0.76	0.67	21387	2.15	0.75	4.3	56	2450	o.r.	
2040	1SL7 504-8NA10-0C.0	892	225	95.9	96.5	96.8	96.7	0.81	0.83	0.79	0.71	21839	2.15	0.55	4.0	72	3080	o.r.	
2200	1SL7 507-8NA10-0A.0	893	245	96.1	96.6	96.8	96.6	0.81	0.81	0.77	0.67	23526	2.15	0.75	4.4	63	2710	o.r.	
2280	1SL7 507-8NA10-0C.0	892	250	96.0	96.6	96.9	96.8	0.82	0.83	0.80	0.72	24409	2.15	0.55	4.1	80	3310	o.r.	
2480	1SL7 508-8NA10-0A.0	893	280	96.1	96.6	96.8	96.5	0.81	0.80	0.75	0.65	26520	2.25	0.80	4.5	69	2550	o.r.	
2550	1SL7 508-8NA10-0C.0	893	280	96.1	96.6	96.9	96.8	0.82	0.83	0.79	0.70	27268	2.25	0.60	4.2	88	3150	o.r.	
2800	1SL7 563-8NA10-0C.0	894	310	96.1	96.5	96.9	96.6	0.82	0.82	0.80	0.73	29908	2.10	0.55	4.6	124	2530	o.r.	

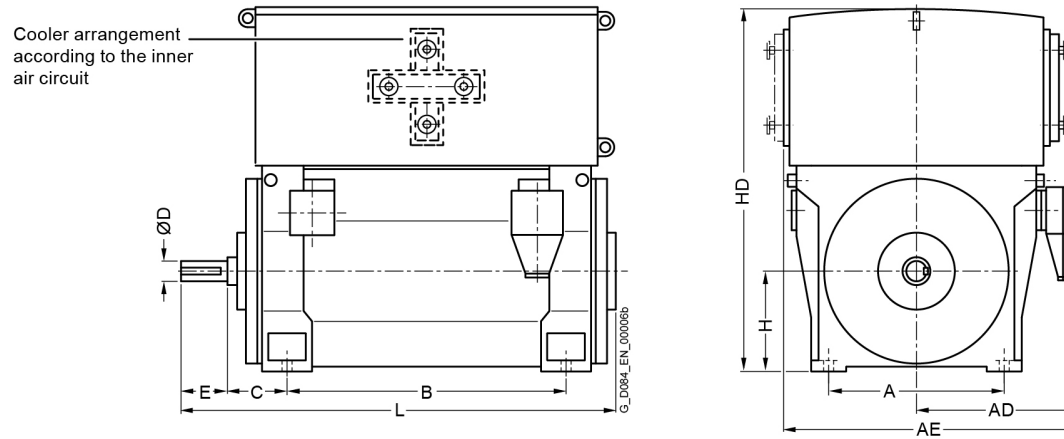
Innomotics HV M - 1SL, IC81W 6600 V / 60 Hz B3 (IM 1001)																		
Rated power IEC	Article No.	Speed	Rated current I_R	Efficiency				Power factor				Torque T_R	Breakdown torque T_B / T_R	Locked rotor torque T_{LR} / T_R	Locked rotor current I_{LR} / I_R	Inertia		
				5/4 load	4/4 load	3/4 load	2/4 load	5/4 load	4/4 load	3/4 load	2/4 load					motor	external	Startup max T/TR
kW		rpm	A	%	%	%	%	$\cos \varphi$	$\cos \varphi$	$\cos \varphi$	$\cos \varphi$	Nm	[-]	[-]	[-]	kgm ²	kgm ²	[-]
3150	1SL7 564-8NA10-0C.0	894	350	96.3	96.7	97.0	96.7	0.82	0.82	0.79	0.72	33647	2.20	0.60	4.8	137	3005	o.r.
3550	1SL7 567-8NA10-0C.0	893	390	96.3	96.7	97.1	96.9	0.82	0.82	0.81	0.75	37962	2.05	0.55	4.5	150	3015	o.r.
4000	1SL7 568-8NA10-0C.0	894	440	96.5	96.8	97.2	97.0	0.82	0.82	0.81	0.74	42726	2.05	0.55	4.6	165	3725	o.r.
4050	1SL8 633-8NA10-0C.0	892	430	95.8	96.4	96.5	96.2	0.84	0.85	0.82	0.75	43357	1.90	0.40	4.1	216	2690	o.r.
4850	1SL8 634-8NA10-0C.0	892	520	96.0	96.6	96.7	96.4	0.84	0.85	0.82	0.76	51922	1.90	0.40	4.1	251	2950	o.r.
5400	1SL8 637-8NA10-0C.0	893	570	96.4	96.8	96.8	96.4	0.85	0.86	0.82	0.75	57745	2.05	0.40	4.5	292	3640	o.r.
5700	1SL8 638-8NA10-0C.0	894	600	96.5	96.9	96.9	96.5	0.85	0.86	0.82	0.75	60885	2.15	0.50	5.0	326	4290	o.r.
6100	1SL8 712-8NA10-0C.0	895	640	96.6	97.0	96.9	96.6	0.86	0.86	0.82	0.74	65085	2.30	0.55	5.0	422	3590	o.r.
6900	1SL8 713-8NA10-0C.0	895	720	96.8	97.1	97.0	96.6	0.86	0.86	0.82	0.74	73620	2.40	0.55	5.1	474	4020	o.r.
7900	1SL8 714-8NA10-0C.0	895	820	96.9	97.2	97.1	96.7	0.87	0.87	0.82	0.74	84290	2.50	0.60	5.3	542	4540	o.r.
9250	1SL8 717-8NA10-0C.0	895	960	97.1	97.3	97.3	96.8	0.87	0.87	0.82	0.74	98694	2.45	0.55	5.3	620	4970	o.r.
10000	1SL8 718-8NA10-0C.0	895	1040	97.2	97.4	97.3	96.9	0.87	0.87	0.83	0.74	106696	2.55	0.55	5.5	684	5590	o.r.



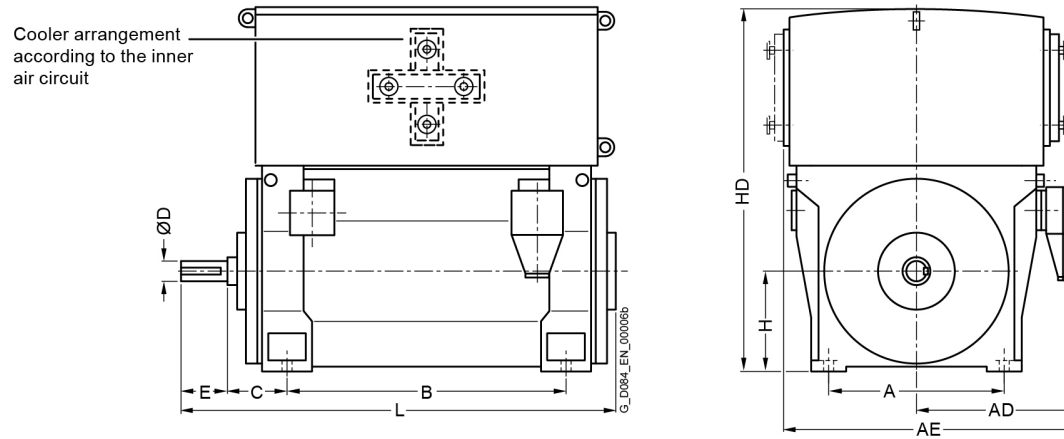
Motor type	Weight	Dimensions											
		A	AD	AE	B	C	D	E	H	HD	L	ML	
	kg	mm	mm	mm	mm	mm	mm	mm	mm	mm	mm	mm	mm
Innomotics HV M - 1SL. IC81W 6600 V / 60 Hz B3 (IM 1001) - Dimension drawings													
2-pole													
1SL7 452-2NA10-0CA0	4200	850	925	1545	1180	250	95	130	450	1650	1840	o.r.	
1SL7 452-2NA10-0CC0	4100	850	925	1545	1180	475	95	130	450	1650	2270	o.r.	
1SL7 453-2NA10-0AA0	4200	850	925	1545	1180	250	95	130	450	1650	1840	o.r.	
1SL7 453-2NA10-0AC0	4100	850	925	1545	1180	475	95	130	450	1650	2270	o.r.	
1SL7 453-2NA10-0CA0	4350	850	925	1545	1180	250	95	130	450	1650	1840	o.r.	
1SL7 453-2NA10-0CC0	4250	850	925	1545	1180	475	95	130	450	1650	2270	o.r.	
1SL7 454-2NA10-0AA0	4300	850	925	1545	1180	250	95	130	450	1650	1840	o.r.	
1SL7 454-2NA10-0AC0	4200	850	925	1545	1180	475	95	130	450	1650	2270	o.r.	
1SL7 454-2NA10-0CA0	4450	850	925	1545	1180	250	95	130	450	1650	1840	o.r.	
1SL7 454-2NA10-0CC0	4350	850	925	1545	1180	475	95	130	450	1650	2270	o.r.	
1SL7 457-2NA10-0AA0	4700	850	925	1545	1400	250	95	130	450	1650	2050	o.r.	
1SL7 457-2NA10-0AC0	4600	850	925	1545	1400	475	95	130	450	1650	2480	o.r.	
1SL7 457-2NA10-0CA0	4850	850	925	1545	1400	250	95	130	450	1650	2050	o.r.	
1SL7 457-2NA10-0CC0	4750	850	925	1545	1400	475	95	130	450	1650	2480	o.r.	
1SL7 458-2NA10-0AA0	4900	850	925	1545	1400	250	95	130	450	1650	2050	o.r.	
1SL7 458-2NA10-0AC0	4800	850	925	1545	1400	475	95	130	450	1650	2480	o.r.	
1SL7 458-2NA10-0CA0	5050	850	925	1545	1400	250	95	130	450	1650	2050	o.r.	
1SL7 458-2NA10-0CC0	4950	850	925	1545	1400	475	95	130	450	1650	2480	o.r.	
1SL7 503-2NA10-0CA0	5850	950	1005	1705	1320	250	110	165	500	1790	1960	o.r.	
1SL7 503-2NA10-0CC0	5800	950	1005	1705	1320	530	120	165	500	1790	2510	o.r.	
1SL7 504-2NA10-0CA0	5950	950	1005	1705	1320	250	110	165	500	1790	1960	o.r.	
1SL7 504-2NA10-0CC0	5900	950	1005	1705	1320	530	120	165	500	1790	2510	o.r.	



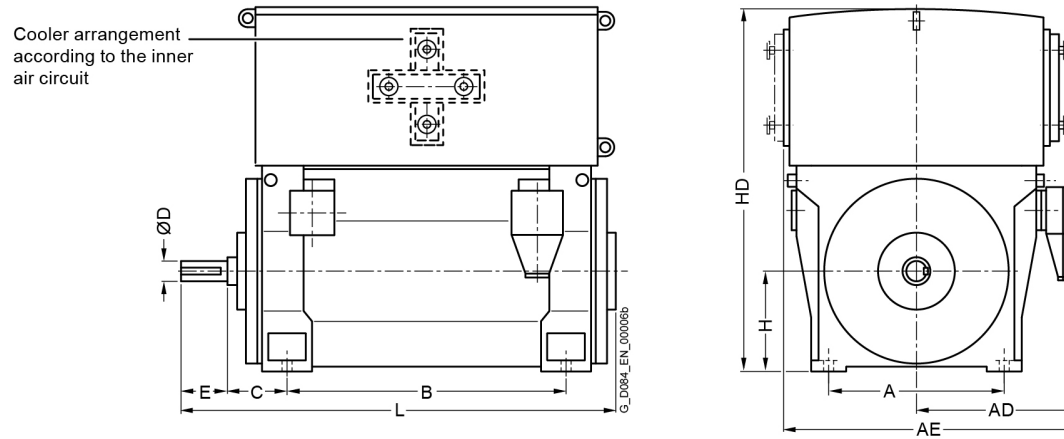
Motor type	Weight	Dimensions										
		A	AD	AE	B	C	D	E	H	HD	L	ML
	kg	mm	mm	mm	mm	mm	mm	mm	mm	mm	mm	mm
Innomotics HV M - 1SL. IC81W 6600 V / 60 Hz B3 (IM 1001) - Dimension drawings												
1SL7 507-2NA10-0CA0	6600	950	1005	1705	1500	250	110	165	500	1790	2170	o.r.
1SL7 507-2NA10-0CC0	6550	950	1005	1705	1500	530	120	165	500	1790	2720	o.r.
1SL7 508-2NA10-0CA0	6950	950	1005	1705	1500	250	110	165	500	1790	2170	o.r.
1SL7 508-2NA10-0CC0	6900	950	1005	1705	1500	530	120	165	500	1790	2720	o.r.
1SL7 562-2NA10-0CC0	7650	1060	1290	2060	1400	600	150	200	560	1970	2810	o.r.
1SL7 564-2NA10-0CC0	8200	1060	1290	2060	1400	600	150	200	560	1970	2810	o.r.
1SL7 567-2NA10-0CC0	8950	1060	1290	2060	1600	600	150	200	560	1970	3040	o.r.
1SL7 568-2NA10-0CC0	9550	1060	1290	2060	1600	600	150	200	560	1970	3040	o.r.
1SL8 632-2NA10-0CJ0	9350	1320	1520	2520	1600	560	160	240	630	2250	2890	o.r.
1SL8 633-2NA10-0CJ0	9850	1320	1520	2520	1600	560	160	240	630	2250	2890	o.r.
1SL8 634-2NA10-0CJ0	10350	1320	1520	2520	1600	560	160	240	630	2250	2890	o.r.
1SL8 637-2NA10-0CJ0	11150	1320	1520	2520	1800	560	160	240	630	2250	3090	o.r.
1SL8 638-2NA10-0CJ0	11850	1320	1520	2520	1800	560	160	240	630	2250	3090	o.r.
1SL8 713-2NA10-0CJ0	13650	1500	1620	2720	2000	560	180	240	710	2550	3280	o.r.
1SL8 714-2NA10-0CJ0	14450	1500	1620	2720	2000	560	180	240	710	2550	3280	o.r.
1SL8 716-2NA10-0CJ0	15550	1500	1620	2720	2240	560	180	240	710	2460	3520	o.r.
1SL8 717-2NA10-0CJ0	16250	1500	1620	2720	2240	560	180	240	710	2460	3520	o.r.
4-pole												
1SL7 453-4NA10-0AA0	4250	850	925	1545	1180	250	130	200	450	1740	1920	o.r.
1SL7 453-4NA10-0AC0	4250	850	925	1545	1180	500	130	200	450	1740	2390	o.r.
1SL7 453-4NA10-0CA0	4350	850	925	1545	1180	250	130	200	450	1740	1920	o.r.
1SL7 453-4NA10-0CC0	4400	850	925	1545	1180	500	130	200	450	1740	2390	o.r.
1SL7 454-4NA10-0AA0	4400	850	925	1545	1180	250	130	200	450	1740	1920	o.r.



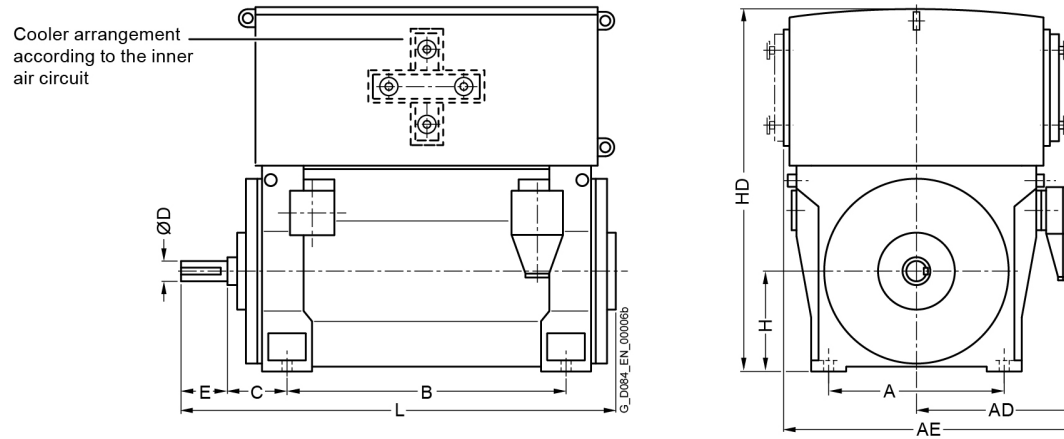
Motor type	Weight kg	Dimensions										
		A mm	AD mm	AE mm	B mm	C mm	D mm	E mm	H mm	HD mm	L mm	ML mm
Innomotics HV M - 1SL. IC81W 6600 V / 60 Hz B3 (IM 1001) - Dimension drawings												
1SL7 454-4NA10-0AC0	4450	850	925	1545	1180	500	130	200	450	1740	2390	o.r.
1SL7 454-4NA10-0CA0	4550	850	925	1545	1180	250	130	200	450	1740	1920	o.r.
1SL7 454-4NA10-0CC0	4600	850	925	1545	1180	500	130	200	450	1740	2390	o.r.
1SL7 457-4NA10-0AA0	5000	850	925	1545	1400	250	130	200	450	1740	2130	o.r.
1SL7 457-4NA10-0AC0	5050	850	925	1545	1400	500	130	200	450	1740	2600	o.r.
1SL7 457-4NA10-0CA0	5200	850	925	1545	1400	250	130	200	450	1740	2130	o.r.
1SL7 457-4NA10-0CC0	5200	850	925	1545	1400	500	130	200	450	1740	2600	o.r.
1SL7 458-4NA10-0AA0	5250	850	925	1545	1400	250	130	200	450	1740	2130	o.r.
1SL7 458-4NA10-0AC0	5250	850	925	1545	1400	500	130	200	450	1740	2600	o.r.
1SL7 458-4NA10-0CA0	5400	850	925	1545	1400	250	130	200	450	1740	2130	o.r.
1SL7 458-4NA10-0CC0	5450	850	925	1545	1400	500	130	200	450	1740	2600	o.r.
1SL7 503-4NA10-0AA0	6000	950	1005	1705	1320	315	160	240	500	1790	2180	o.r.
1SL7 503-4NA10-0AC0	6050	950	1005	1705	1320	560	170	240	500	1790	2620	o.r.
1SL7 503-4NA10-0CA0	6150	950	1005	1705	1320	315	160	240	500	1790	2180	o.r.
1SL7 503-4NA10-0CC0	6200	950	1005	1705	1320	560	170	240	500	1790	2620	o.r.
1SL7 504-4NA10-0AA0	6300	950	1005	1705	1320	315	160	240	500	1790	2180	o.r.
1SL7 504-4NA10-0AC0	6350	950	1005	1705	1320	560	170	240	500	1790	2620	o.r.
1SL7 504-4NA10-0CA0	6450	950	1005	1705	1320	315	160	240	500	1790	2180	o.r.
1SL7 504-4NA10-0CC0	6500	950	1005	1705	1320	560	170	240	500	1790	2620	o.r.
1SL7 507-4NA10-0AA0	6950	950	1005	1705	1500	315	160	240	500	1790	2390	o.r.
1SL7 507-4NA10-0AC0	7000	950	1005	1705	1500	560	170	240	500	1790	2830	o.r.
1SL7 507-4NA10-0CA0	7100	950	1005	1705	1500	315	160	240	500	1790	2390	o.r.
1SL7 507-4NA10-0CC0	7150	950	1005	1705	1500	560	170	240	500	1790	2830	o.r.



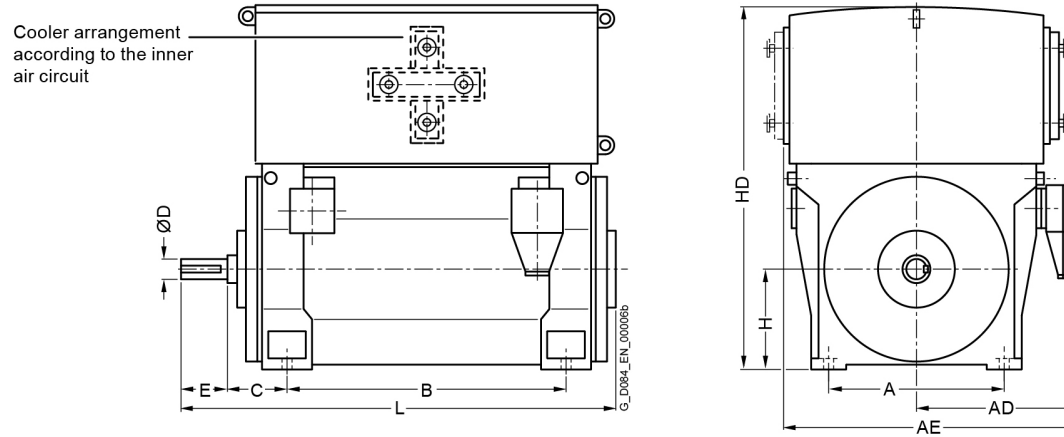
Motor type	Weight kg	Dimensions										
		A mm	AD mm	AE mm	B mm	C mm	D mm	E mm	H mm	HD mm	L mm	ML mm
Innomotics HV M - 1SL. IC81W 6600 V / 60 Hz B3 (IM 1001) - Dimension drawings												
1SL7 508-4NA10-0AA0	7200	950	1005	1705	1500	315	160	240	500	1790	2390	o.r.
1SL7 508-4NA10-0AC0	7300	950	1005	1705	1500	560	170	240	500	1790	2830	o.r.
1SL7 508-4NA10-0CA0	7400	950	1005	1705	1500	315	160	240	500	1790	2390	o.r.
1SL7 508-4NA10-0CC0	7450	950	1005	1705	1500	560	170	240	500	1790	2830	o.r.
1SL7 563-4NA10-0CA0	8050	1060	1290	2060	1400	335	190	280	560	1970	2390	o.r.
1SL7 563-4NA10-0CC0	8100	1060	1290	2060	1400	600	190	280	560	1970	2850	o.r.
1SL7 564-4NA10-0CA0	8450	1060	1290	2060	1400	335	190	280	560	1970	2390	o.r.
1SL7 564-4NA10-0CC0	8500	1060	1290	2060	1400	600	190	280	560	1970	2850	o.r.
1SL7 566-4NA10-0CA0	9300	1060	1290	2060	1600	335	190	280	560	1970	2620	o.r.
1SL7 566-4NA10-0CC0	9350	1060	1290	2060	1600	600	190	280	560	1970	3080	o.r.
1SL7 567-4NA10-0CA0	9750	1060	1290	2060	1600	335	190	280	560	1970	2620	o.r.
1SL7 567-4NA10-0CC0	9850	1060	1290	2060	1600	600	190	280	560	1970	3080	o.r.
1SL7 568-4NA10-0CA0	10250	1060	1290	2060	1600	335	190	280	560	1970	2620	o.r.
1SL7 568-4NA10-0CC0	10300	1060	1290	2060	1600	600	190	280	560	1970	3080	o.r.
1SL8 633-4NA10-0CG0	10450	1320	1520	2520	1600	375	200	280	630	2250	2610	o.r.
1SL8 633-4NA10-0CJ0	10550	1320	1520	2520	1600	630	200	280	630	2250	3090	o.r.
1SL8 634-4NA10-0CG0	11000	1320	1520	2520	1600	375	200	280	630	2250	2610	o.r.
1SL8 634-4NA10-0CJ0	11150	1320	1520	2520	1600	630	200	280	630	2250	3090	o.r.
1SL8 637-4NA10-0CC0	11950	1320	1520	2520	1800	375	200	280	630	2250	2810	o.r.
1SL8 637-4NA10-0CJ0	12050	1320	1520	2520	1800	630	200	280	630	2250	3290	o.r.
1SL8 638-4NA10-0CG0	12500	1320	1520	2520	1800	375	200	280	630	2250	2810	o.r.
1SL8 638-4NA10-0CJ0	12600	1320	1520	2520	1800	630	200	280	630	2250	3290	o.r.
1SL8 712-4NA10-0CG0	14250	1500	1620	2720	2000	375	220	280	710	2550	3010	o.r.



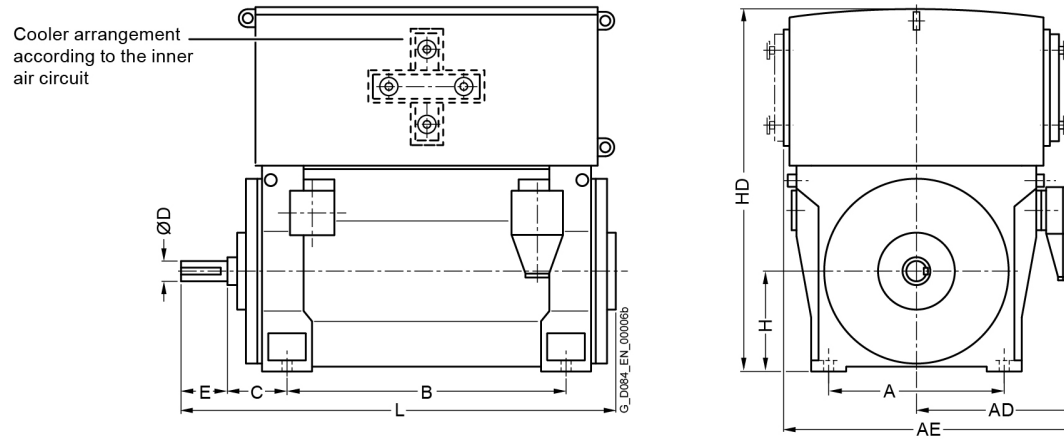
Motor type	Weight	Dimensions										
		A	AD	AE	B	C	D	E	H	HD	L	ML
	kg	mm	mm	mm	mm	mm	mm	mm	mm	mm	mm	mm
Innomotics HV M - 1SL. IC81W 6600 V / 60 Hz B3 (IM 1001) - Dimension drawings												
1SL8 712-4NA10-0CJ0	14400	1500	1620	2720	2000	630	220	280	710	2550	3480	o.r.
1SL8 713-4NA10-0CG0	15000	1500	1620	2720	2000	375	220	280	710	2550	3010	o.r.
1SL8 713-4NA10-0CJ0	15100	1500	1620	2720	2000	630	220	280	710	2550	3480	o.r.
1SL8 714-4NA10-0CG0	15750	1500	1620	2720	2000	375	220	280	710	2550	3010	o.r.
1SL8 714-4NA10-0CJ0	15900	1500	1620	2720	2000	630	220	280	710	2550	3480	o.r.
1SL8 717-4NA10-0CG0	17000	1500	1620	2720	2240	375	220	280	710	2460	3250	o.r.
1SL8 717-4NA10-0CJ0	17100	1500	1620	2720	2240	630	220	280	710	2460	3720	o.r.
1SL8 718-4NA10-0CG0	17500	1500	1620	2720	2240	375	220	280	710	2460	3250	o.r.
1SL8 718-4NA10-0CJ0	17600	1500	1620	2720	2240	630	220	280	710	2460	3720	o.r.
6-pole												
1SL7 452-6NA10-0AA0	4100	850	925	1545	1180	250	130	200	450	1740	1920	o.r.
1SL7 452-6NA10-0AC0	4150	850	925	1545	1180	500	130	200	450	1740	2390	o.r.
1SL7 453-6NA10-0AA0	4300	850	925	1545	1180	250	130	200	450	1740	1920	o.r.
1SL7 453-6NA10-0AC0	4300	850	925	1545	1180	500	130	200	450	1740	2390	o.r.
1SL7 453-6NA10-0CA0	4450	850	925	1545	1180	250	130	200	450	1740	1920	o.r.
1SL7 453-6NA10-0CC0	4450	850	925	1545	1180	500	130	200	450	1740	2390	o.r.
1SL7 454-6NA10-0AA0	4450	850	925	1545	1180	250	130	200	450	1740	1920	o.r.
1SL7 454-6NA10-0AC0	4500	850	925	1545	1180	500	130	200	450	1740	2390	o.r.
1SL7 454-6NA10-0CA0	4600	850	925	1545	1180	250	130	200	450	1740	1920	o.r.
1SL7 454-6NA10-0CC0	4650	850	925	1545	1180	500	130	200	450	1740	2390	o.r.
1SL7 457-6NA10-0AA0	4900	850	925	1545	1400	250	130	200	450	1740	2130	o.r.
1SL7 457-6NA10-0AC0	4950	850	925	1545	1400	500	130	200	450	1740	2600	o.r.
1SL7 457-6NA10-0CA0	5100	850	925	1545	1400	250	130	200	450	1740	2130	o.r.



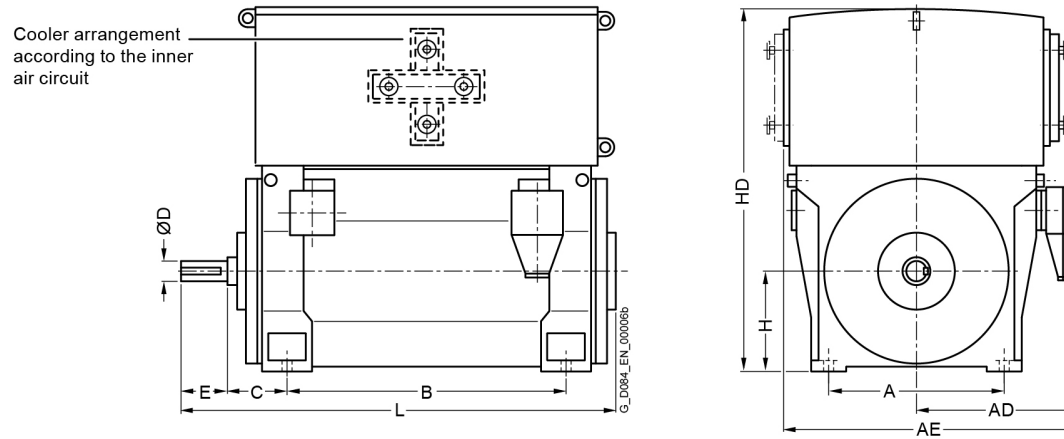
Motor type	Weight kg	Dimensions										
		A mm	AD mm	AE mm	B mm	C mm	D mm	E mm	H mm	HD mm	L mm	ML mm
Innomotics HV M - 1SL. IC81W 6600 V / 60 Hz B3 (IM 1001) - Dimension drawings												
1SL7 457-6NA10-0CC0	5150	850	925	1545	1400	500	130	200	450	1740	2600	o.r.
1SL7 458-6NA10-0AA0	5200	850	925	1545	1400	250	130	200	450	1740	2130	o.r.
1SL7 458-6NA10-0AC0	5200	850	925	1545	1400	500	130	200	450	1740	2600	o.r.
1SL7 458-6NA10-0CA0	5400	850	925	1545	1400	250	130	200	450	1740	2130	o.r.
1SL7 458-6NA10-0CC0	5400	850	925	1545	1400	500	130	200	450	1740	2600	o.r.
1SL7 503-6NA10-0AA0	6150	950	1005	1705	1320	315	160	240	500	1910	2180	o.r.
1SL7 503-6NA10-0AC0	6200	950	1005	1705	1320	560	170	240	500	1910	2620	o.r.
1SL7 503-6NA10-0CA0	6400	950	1005	1705	1320	315	160	240	500	1910	2180	o.r.
1SL7 503-6NA10-0CC0	6450	950	1005	1705	1320	560	170	240	500	1910	2620	o.r.
1SL7 504-6NA10-0AA0	6450	950	1005	1705	1320	315	160	240	500	1910	2180	o.r.
1SL7 504-6NA10-0AC0	6500	950	1005	1705	1320	560	170	240	500	1910	2620	o.r.
1SL7 504-6NA10-0CA0	6650	950	1005	1705	1320	315	160	240	500	1910	2180	o.r.
1SL7 504-6NA10-0CC0	6750	950	1005	1705	1320	560	170	240	500	1910	2620	o.r.
1SL7 507-6NA10-0AA0	7150	950	1005	1705	1500	315	160	240	500	1910	2390	o.r.
1SL7 507-6NA10-0AC0	7200	950	1005	1705	1500	560	170	240	500	1910	2830	o.r.
1SL7 507-6NA10-0CA0	7400	950	1005	1705	1500	315	160	240	500	1910	2390	o.r.
1SL7 507-6NA10-0CC0	7450	950	1005	1705	1500	560	170	240	500	1910	2830	o.r.
1SL7 508-6NA10-0CA0	7700	950	1005	1705	1500	315	160	240	500	1910	2390	o.r.
1SL7 508-6NA10-0CC0	7750	950	1005	1705	1500	560	170	240	500	1910	2830	o.r.
1SL7 508-6NA10-0AA0	7450	950	1005	1705	1500	315	160	240	500	1910	2390	o.r.
1SL7 508-6NA10-0AC0	7500	950	1005	1705	1500	560	170	240	500	1910	2830	o.r.
1SL7 562-6NA10-0CA0	8350	1060	1290	2060	1400	335	190	280	560	2110	2390	o.r.
1SL7 562-6NA10-0CC0	8450	1060	1290	2060	1400	600	190	280	560	2110	2850	o.r.



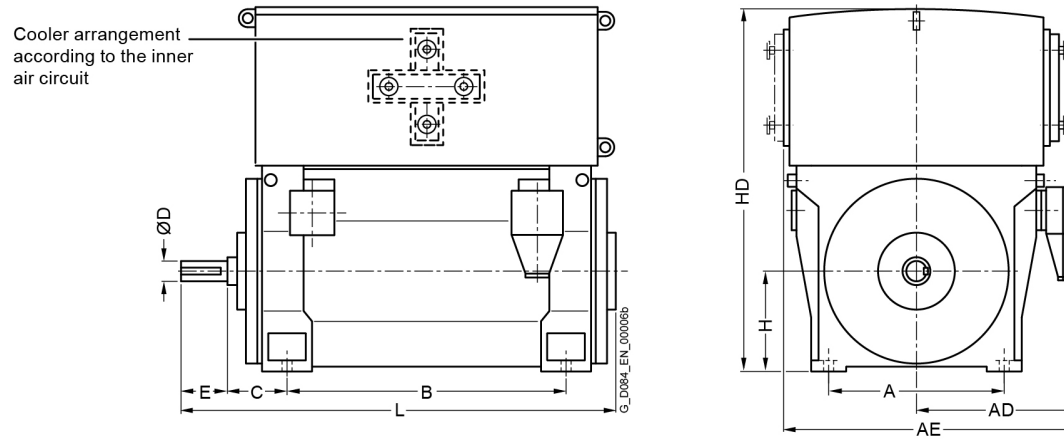
Motor type	Weight	Dimensions												
		A	AD	AE	B	C	D	E	H	HD	L	ML		
	kg	mm	mm	mm	mm	mm	mm	mm	mm	mm	mm	mm	mm	
Innomotics HV M - 1SL. IC81W 6600 V / 60 Hz B3 (IM 1001) - Dimension drawings														
1SL7 562-6NA10-0HA0	8350	1060	1290	2060	1400	335	190	280	560	2110	2390	o.r.		
1SL7 562-6NA10-0HC0	8400	1060	1290	2060	1400	600	190	280	560	2110	2850	o.r.		
1SL7 567-6NA10-0CA0	9850	1060	1290	2060	1600	335	190	280	560	2110	2620	o.r.		
1SL7 567-6NA10-0CC0	9900	1060	1290	2060	1600	600	190	280	560	2110	3080	o.r.		
1SL7 568-6NA10-0CA0	10450	1060	1290	2060	1600	335	190	280	560	2110	2620	o.r.		
1SL7 568-6NA10-0CC0	10550	1060	1290	2060	1600	600	190	280	560	2110	3080	o.r.		
1SL8 632-6NA10-0CG0	10450	1320	1520	2520	1600	375	200	280	630	2250	2610	o.r.		
1SL8 632-6NA10-0CJ0	10550	1320	1520	2520	1600	630	200	280	630	2250	3090	o.r.		
1SL8 633-6NA10-0CG0	10950	1320	1520	2520	1600	375	200	280	630	2250	2610	o.r.		
1SL8 633-6NA10-0CJ0	11050	1320	1520	2520	1600	630	200	280	630	2250	3090	o.r.		
1SL8 634-6NA10-0CG0	11400	1320	1520	2520	1600	375	200	280	630	2250	2610	o.r.		
1SL8 634-6NA10-0CJ0	11550	1320	1520	2520	1600	630	200	280	630	2250	3090	o.r.		
1SL8 637-6NA10-0CG0	12250	1320	1520	2520	1800	375	200	280	630	2250	2810	o.r.		
1SL8 637-6NA10-0CJ0	12350	1320	1520	2520	1800	630	200	280	630	2250	3290	o.r.		
1SL8 638-6NA10-0CG0	12750	1320	1520	2520	1800	375	200	280	630	2250	2810	o.r.		
1SL8 638-6NA10-0CJ0	12850	1320	1520	2520	1800	630	200	280	630	2250	3290	o.r.		
1SL8 712-6NA10-0CG0	14150	1500	1620	2720	2000	375	220	280	710	2550	3010	o.r.		
1SL8 712-6NA10-0CJ0	14300	1500	1620	2720	2000	630	220	280	710	2550	3480	o.r.		
1SL8 713-6NA10-0CG0	15100	1500	1620	2720	2000	375	220	280	710	2550	3010	o.r.		
1SL8 713-6NA10-0CJ0	15250	1500	1620	2720	2000	630	220	280	710	2550	3480	o.r.		
1SL8 714-6NA10-0CG0	16100	1500	1620	2720	2000	375	220	280	710	2550	3010	o.r.		
1SL8 714-6NA10-0CJ0	16250	1500	1620	2720	2000	630	220	280	710	2550	3480	o.r.		
1SL8 717-6NA10-0CG0	17600	1500	1620	2720	2240	375	220	280	710	2460	3250	o.r.		



Motor type	Weight	Dimensions											
		A	AD	AE	B	C	D	E	H	HD	L	ML	
	kg	mm	mm	mm	mm	mm	mm	mm	mm	mm	mm	mm	mm
Innomotics HV M - 1SL. IC81W 6600 V / 60 Hz B3 (IM 1001) - Dimension drawings													
1SL8 717-6NA10-0CJ0	17750	1500	1620	2720	2240	630	220	280	710	2460	3720	o.r.	
1SL8 718-6NA10-0CG0	18550	1500	1620	2720	2240	375	220	280	710	2460	3250	o.r.	
1SL8 718-6NA10-0CJ0	18700	1500	1620	2720	2240	630	220	280	710	2460	3720	o.r.	
8-pole													
1SL7 452-8NA10-0AA0	4250	850	925	1545	1180	250	130	200	450	1740	1920	o.r.	
1SL7 452-8NA10-0AC0	4300	850	925	1545	1180	500	130	200	450	1740	2390	o.r.	
1SL7 452-8NA10-0CA0	4400	850	925	1545	1180	250	130	200	450	1740	1920	o.r.	
1SL7 452-8NA10-0CC0	4450	850	925	1545	1180	500	130	200	450	1740	2390	o.r.	
1SL7 453-8NA10-0AA0	4450	850	925	1545	1180	250	130	200	450	1740	1920	o.r.	
1SL7 453-8NA10-0AC0	4500	850	925	1545	1180	500	130	200	450	1740	2390	o.r.	
1SL7 453-8NA10-0CA0	4600	850	925	1545	1180	250	130	200	450	1740	1920	o.r.	
1SL7 453-8NA10-0CC0	4650	850	925	1545	1180	500	130	200	450	1740	2390	o.r.	
1SL7 454-8NA10-0AA0	4650	850	925	1545	1180	250	130	200	450	1740	1920	o.r.	
1SL7 454-8NA10-0AC0	4700	850	925	1545	1180	500	130	200	450	1740	2390	o.r.	
1SL7 454-8NA10-0CA0	4850	850	925	1545	1180	250	130	200	450	1740	1920	o.r.	
1SL7 454-8NA10-0CC0	4850	850	925	1545	1180	500	130	200	450	1740	2390	o.r.	
1SL7 457-8NA10-0AA0	5200	850	925	1545	1400	250	130	200	450	1740	2130	o.r.	
1SL7 457-8NA10-0AC0	5200	850	925	1545	1400	500	130	200	450	1740	2600	o.r.	
1SL7 457-8NA10-0CA0	5350	850	925	1545	1400	250	130	200	450	1740	2130	o.r.	
1SL7 457-8NA10-0CC0	5400	850	925	1545	1400	500	130	200	450	1740	2600	o.r.	
1SL7 458-8NA10-0AA0	5450	850	925	1545	1400	250	130	200	450	1740	2130	o.r.	
1SL7 458-8NA10-0AC0	5500	850	925	1545	1400	500	130	200	450	1740	2600	o.r.	
1SL7 458-8NA10-0CA0	5650	850	925	1545	1400	250	130	200	450	1740	2130	o.r.	



Motor type	Weight	Dimensions												
		A	AD	AE	B	C	D	E	H	HD	L	ML		
	kg	mm	mm	mm	mm	mm	mm	mm	mm	mm	mm	mm	mm	
Innomotics HV M - 1SL. IC81W 6600 V / 60 Hz B3 (IM 1001) - Dimension drawings														
1SL7 458-8NA10-0CC0	5700	850	925	1545	1400	500	130	200	450	1740	2600	o.r.		
1SL7 502-8NA10-0CA0	6050	950	1005	1705	1320	315	160	240	500	1910	2180	o.r.		
1SL7 502-8NA10-0CC0	6100	950	1005	1705	1320	560	170	240	500	1910	2620	o.r.		
1SL7 503-8NA10-0AA0	6150	950	1005	1705	1320	315	160	240	500	1910	2180	o.r.		
1SL7 503-8NA10-0AC0	6250	950	1005	1705	1320	560	170	240	500	1910	2620	o.r.		
1SL7 503-8NA10-0CA0	6400	950	1005	1705	1320	315	160	240	500	1910	2180	o.r.		
1SL7 503-8NA10-0CC0	6450	950	1005	1705	1320	560	170	240	500	1910	2620	o.r.		
1SL7 504-8NA10-0AA0	6450	950	1005	1705	1320	315	160	240	500	1910	2180	o.r.		
1SL7 504-8NA10-0AC0	6550	950	1005	1705	1320	560	170	240	500	1910	2620	o.r.		
1SL7 504-8NA10-0CA0	6700	950	1005	1705	1320	315	160	240	500	1910	2180	o.r.		
1SL7 504-8NA10-0CC0	6750	950	1005	1705	1320	560	170	240	500	1910	2620	o.r.		
1SL7 507-8NA10-0AA0	7150	950	1005	1705	1500	315	160	240	500	1910	2390	o.r.		
1SL7 507-8NA10-0AC0	7200	950	1005	1705	1500	560	170	240	500	1910	2830	o.r.		
1SL7 507-8NA10-0CA0	7400	950	1005	1705	1500	315	160	240	500	1910	2390	o.r.		
1SL7 507-8NA10-0CC0	7450	950	1005	1705	1500	560	170	240	500	1910	2830	o.r.		
1SL7 508-8NA10-0AA0	7450	950	1005	1705	1500	315	160	240	500	1910	2390	o.r.		
1SL7 508-8NA10-0AC0	7500	950	1005	1705	1500	560	170	240	500	1910	2830	o.r.		
1SL7 508-8NA10-0CA0	7700	950	1005	1705	1500	315	160	240	500	1910	2390	o.r.		
1SL7 508-8NA10-0CC0	7800	950	1005	1705	1500	560	170	240	500	1910	2830	o.r.		
1SL7 563-8NA10-0CA0	8400	1060	1075	1845	1400	335	190	280	560	2110	2390	o.r.		
1SL7 563-8NA10-0CC0	8450	1060	1075	1845	1400	600	190	280	560	2110	2850	o.r.		
1SL7 564-8NA10-0CA0	8850	1060	1075	1845	1400	335	190	280	560	2110	2390	o.r.		
1SL7 564-8NA10-0CC0	8900	1060	1075	1845	1400	600	190	280	560	2110	2850	o.r.		



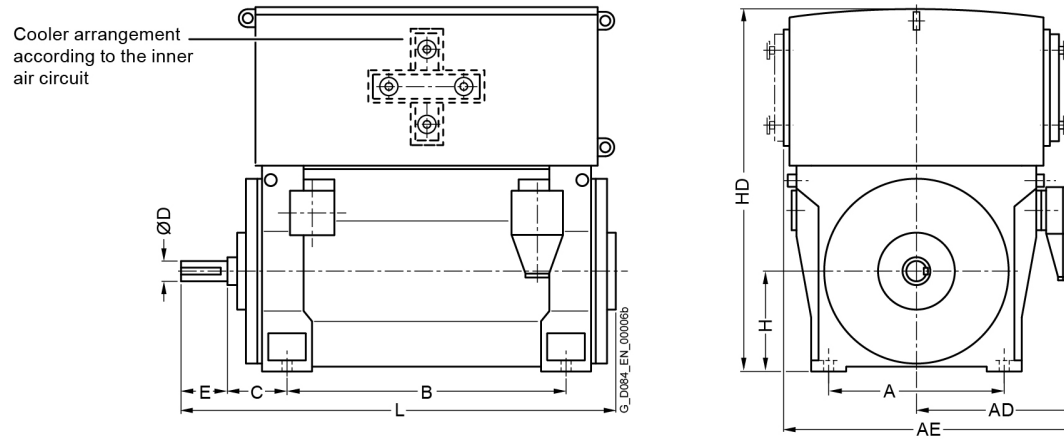
Motor type	Weight kg	Dimensions										
		A mm	AD mm	AE mm	B mm	C mm	D mm	E mm	H mm	HD mm	L mm	ML mm
Innomotics HV M - 1SL. IC81W 6600 V / 60 Hz B3 (IM 1001) - Dimension drawings												
1SL7 567-8NA10-0CA0	9700	1060	1075	1845	1600	335	190	280	560	2110	2620	o.r.
1SL7 567-8NA10-0CC0	9800	1060	1075	1845	1600	600	190	280	560	2110	3080	o.r.
1SL7 568-8NA10-0CA0	10200	1060	1075	1845	1600	335	190	280	560	2110	2620	o.r.
1SL7 568-8NA10-0CC0	10300	1060	1075	1845	1600	600	190	280	560	2110	3080	o.r.
1SL8 633-8NA10-0CG0	9800	1320	1520	2520	1600	375	200	280	630	2380	2610	o.r.
1SL8 633-8NA10-0CJ0	9900	1320	1520	2520	1600	630	200	280	630	2380	3090	o.r.
1SL8 634-8NA10-0CG0	10550	1320	1520	2520	1600	375	200	280	630	2380	2610	o.r.
1SL8 634-8NA10-0CJ0	10650	1320	1520	2520	1600	630	200	280	630	2380	3090	o.r.
1SL8 637-8NA10-0CG0	11750	1320	1520	2520	1800	375	200	280	630	2380	2810	o.r.
1SL8 637-8NA10-0CJ0	11850	1320	1520	2520	1800	630	200	280	630	2380	3290	o.r.
1SL8 638-8NA10-0CG0	12450	1320	1520	2520	1800	375	200	280	630	2380	2810	o.r.
1SL8 638-8NA10-0CJ0	12550	1320	1520	2520	1800	630	200	280	630	2380	3290	o.r.
1SL8 712-8NA10-0CG0	13600	1500	1620	2720	2000	375	220	280	710	2550	3010	o.r.
1SL8 712-8NA10-0CJ0	13800	1500	1620	2720	2000	630	220	280	710	2550	3480	o.r.
1SL8 713-8NA10-0CG0	14450	1500	1620	2720	2000	375	220	280	710	2550	3010	o.r.
1SL8 713-8NA10-0CJ0	14650	1500	1620	2720	2000	630	220	280	710	2550	3480	o.r.
1SL8 714-8NA10-0CG0	15650	1500	1620	2720	2000	375	220	280	710	2550	3010	o.r.
1SL8 714-8NA10-0CJ0	15850	1500	1620	2720	2000	630	220	280	710	2550	3480	o.r.
1SL8 717-8NA10-0CG0	17300	1500	1620	2720	2240	375	220	280	710	2460	3250	o.r.
1SL8 717-8NA10-0CJ0	17500	1500	1620	2720	2240	630	220	280	710	2460	3720	o.r.
1SL8 718-8NA10-0CG0	18300	1500	1620	2720	2240	375	220	280	710	2460	3250	o.r.
1SL8 718-8NA10-0CJ0	18500	1500	1620	2720	2240	630	220	280	710	2460	3720	o.r.

Innomotics HV M - 1SL, IC81W 10000 V / 50 Hz B3 (IM 1001)																		
Rated power IEC kW	Article No.	Speed	Rated current	Efficiency				Power factor				Torque	Breakdown torque	Locked rotor torque	Locked rotor current	Inertia		
		rpm	I_R A	5/4 load %	4/4 load %	3/4 load %	2/4 load %	5/4 load $\cos \varphi$	4/4 load $\cos \varphi$	3/4 load $\cos \varphi$	2/4 load $\cos \varphi$	T_R Nm	T_B/ T_R [-]	T_{LR}/ T_R [-]	I_{LR}/ I_R [-]	motor kgm ²	external kgm ²	Startup max T/TR [-]
2-pole: n_{sync} = 3000 rpm at 50 Hz																		
1500	1SL7 453-2NA80-0A.2	2976	102	95.1	96.0	96.3	96.2	0.87	0.89	0.89	0.85	4814	2.20	0.50	5.0	10	60	o.r.
1530	1SL7 453-2NA80-0C.0	2976	102	95.1	95.9	96.4	96.3	0.87	0.90	0.89	0.87	4910	2.10	0.55	4.7	14	80	o.r.
1680	1SL7 454-2NA80-0A.2	2977	114	95.5	96.1	96.4	96.1	0.88	0.89	0.88	0.83	5391	2.25	0.50	5.2	11	60	o.r.
1720	1SL7 454-2NA80-0C.2	2977	114	95.5	96.1	96.4	96.2	0.88	0.90	0.89	0.86	5519	2.15	0.55	5.0	15	100	o.r.
1870	1SL7 457-2NA80-0A.2	2977	126	95.5	96.2	96.6	96.4	0.87	0.89	0.89	0.85	6000	2.25	0.55	5.3	12	70	o.r.
1910	1SL7 457-2NA80-0C.2	2977	128	95.5	96.2	96.6	96.4	0.88	0.90	0.90	0.87	6133	2.15	0.55	5.0	16	120	o.r.
2050	1SL7 458-2NA80-0A.2	2978	136	95.8	96.4	96.7	96.5	0.88	0.90	0.90	0.86	6580	2.35	0.55	5.4	13	75	o.r.
2100	1SL7 458-2NA80-0C.2	2978	140	95.8	96.4	96.8	96.6	0.89	0.90	0.90	0.88	6739	2.30	0.55	5.0	18	135	o.r.
2240	1SL7 503-2NA80-0A.0	2965	150	95.5	96.3	96.8	97.0	0.87	0.89	0.89	0.87	7221	2.10	0.50	4.1	15	58	o.r.
2240	1SL7 503-2NA80-0C.0	2973	150	95.8	96.4	97.0	97.1	0.87	0.89	0.90	0.88	7198	2.05	0.55	4.0	20	154	o.r.
2450	1SL7 504-2NA80-0A.0	2968	166	95.7	96.3	96.8	96.9	0.88	0.89	0.89	0.86	7886	2.30	0.55	4.5	15	62	o.r.
2550	1SL7 504-2NA80-0C.2	2973	172	95.8	96.5	96.9	96.9	0.88	0.89	0.90	0.87	8198	2.15	0.60	4.2	21	138	o.r.
2670	1SL7 507-2NA80-0A.2	2973	178	96.0	96.6	96.9	96.9	0.89	0.90	0.90	0.86	8580	2.50	0.50	5.0	18	82	o.r.
2800	1SL7 507-2NA80-0C.2	2977	186	96.2	96.7	97.0	97.0	0.89	0.90	0.90	0.87	8989	2.35	0.55	4.7	24	158	o.r.
3000	1SL7 508-2NA80-0A.2	2974	198	96.3	96.8	97.1	97.1	0.90	0.90	0.90	0.86	9635	2.60	0.55	5.3	20	94	o.r.
3150	1SL7 508-2NA80-0C.2	2978	205	96.4	96.9	97.2	97.2	0.90	0.91	0.91	0.87	10106	2.40	0.55	4.9	27	168	o.r.
3800	1SL7 562-2NA80-0CC2	2981	250	96.4	96.6	96.8	96.5	0.90	0.90	0.90	0.86	12181	2.30	0.60	5.2	41	210	o.r.
4150	1SL7 563-2NA80-0CC2	2980	275	96.4	96.7	97.0	96.8	0.88	0.90	0.90	0.87	13304	2.05	0.50	4.6	44	245	o.r.
4750	1SL7 564-2NA80-0CC2	2982	310	96.6	96.8	97.0	96.7	0.90	0.91	0.90	0.87	15222	2.30	0.60	5.3	47	250	o.r.
5150	1SL7 567-2NA80-0CC2	2982	335	96.8	97.0	97.2	97.0	0.90	0.91	0.91	0.88	16506	2.30	0.60	5.2	52	285	o.r.
5700	1SL7 568-2NA80-0CC2	2984	370	97.0	97.2	97.3	97.0	0.92	0.92	0.91	0.88	18252	2.50	0.60	5.8	58	315	o.r.
6000	1SL8 632-2NA80-0CJ0	2980	405	96.4	96.9	96.9	96.4	0.85	0.88	0.88	0.87	19227	1.90	0.50	4.5	75	250	o.r.
6750	1SL8 633-2NA80-0CJ0	2980	455	96.5	97.1	97.1	96.7	0.85	0.88	0.89	0.88	21630	1.90	0.50	4.5	82	240	o.r.
7550	1SL8 634-2NA80-0CJ0	2980	510	96.6	97.1	97.2	96.8	0.85	0.88	0.89	0.89	24194	1.90	0.50	4.5	90	230	o.r.
8050	1SL8 637-2NA80-0CJ0	2983	530	96.9	97.3	97.2	96.9	0.89	0.90	0.91	0.90	25770	2.25	0.55	5.3	99	260	o.r.
8850	1SL8 638-2NA80-0CJ0	2983	580	97.0	97.4	97.4	97.1	0.89	0.91	0.91	0.91	28331	2.25	0.55	5.3	108	260	o.r.
9050	1SL8 712-2NA80-0CJ0	2983	610	96.5	96.9	96.9	96.5	0.83	0.88	0.89	0.89	28971	1.75	0.40	4.0	149	210	o.r.
10250	1SL8 713-2NA80-0CJ0	2984	680	96.8	97.2	97.1	96.7	0.86	0.90	0.90	0.89	32802	1.90	0.50	4.4	160	190	o.r.
11500	1SL8 714-2NA80-0CJ0	2984	760	97.0	97.3	97.3	96.8	0.86	0.90	0.90	0.89	36802	1.90	0.50	4.4	173	170	o.r.
12000	1SL8 716-2NA80-0CJ0	2986	780	97.1	97.3	97.3	96.8	0.88	0.91	0.91	0.90	38376	2.10	0.45	4.8	186	200	o.r.
13600	1SL8 717-2NA80-0CJ0	2986	880	97.2	97.5	97.4	97.0	0.89	0.91	0.91	0.90	43493	2.15	0.60	5.1	202	160	o.r.
14800	1SL8 718-2NA80-0CJ0	2987	950	97.4	97.6	97.6	97.1	0.90	0.92	0.92	0.90	47315	2.35	0.65	5.6	219	160	o.r.
4-pole: n_{sync} = 1500 rpm at 50 Hz																		
1420	1SL7 453-4NA80-0A.0	1482	97	94.8	95.7	96.1	96.2	0.87	0.88	0.87	0.81	9155	2.35	0.65	5.3	17	290	o.r.
1470	1SL7 453-4NA80-0C.0	1485	100	95.0	95.9	96.3	96.5	0.87	0.88	0.87	0.83	9460	2.10	0.50	4.8	23	325	o.r.
1560	1SL7 454-4NA80-0A.0	1482	106	95.0	95.8	96.3	96.4	0.88	0.89	0.87	0.83	10058	2.40	0.65	5.4	19	320	o.r.

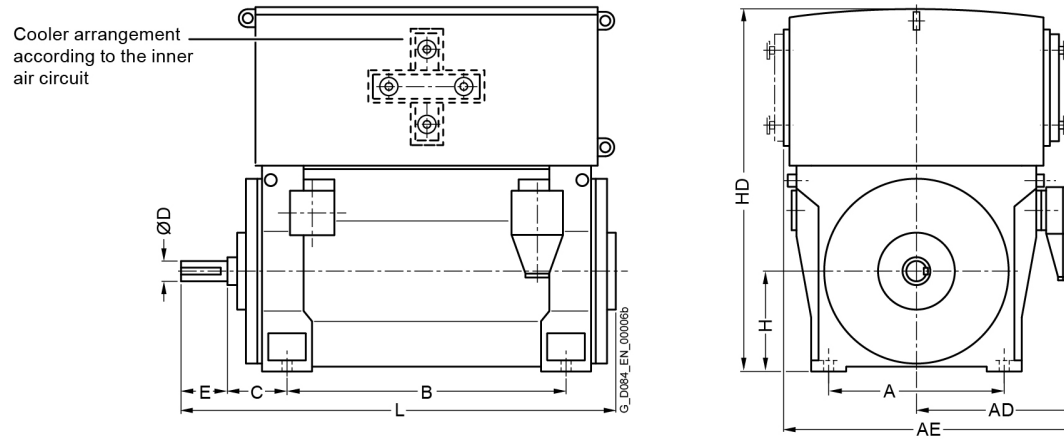
Innomotics HV M - 1SL IC81W 10000 V / 50 Hz B3 (IM 1001)																		
Rated power IEC	Article No.	Speed	Rated current I_R	Efficiency				Power factor				Torque T_R	Breakdown torque T_B/ T_R	Locked torque T_{LR}/ T_R	Locked rotor current I_{LR}/ I_R	Inertia		
				5/4 load	4/4 load	3/4 load	2/4 load	5/4 load	4/4 load	3/4 load	2/4 load					motor	external	Startup max T/TR
kW		rpm	A	%	%	%	%	cos φ	cos φ	cos φ	cos φ	Nm	[-]	[-]	[-]	kgm ²	kgm ²	[-]
1600	1SL7 454-4NA80-0C.2	1486	108	95.3	96.2	96.5	96.6	0.87	0.89	0.88	0.84	10292	2.20	0.50	5.0	26	405	o.r.
1900	1SL7 457-4NA80-0C.2	1487	128	95.7	96.4	96.7	96.7	0.88	0.89	0.88	0.83	12205	2.40	0.55	5.2	30	525	o.r.
1820	1SL7 457-4NA80-0A.0	1483	122	95.4	96.2	96.5	96.7	0.89	0.89	0.88	0.83	11724	2.45	0.70	5.8	22	390	o.r.
1970	1SL7 458-4NA80-0A.2	1485	132	95.7	96.3	96.6	96.6	0.89	0.89	0.87	0.81	12678	2.75	0.80	6.0	24	455	o.r.
2060	1SL7 458-4NA80-0C.2	1488	138	95.9	96.5	96.8	96.8	0.89	0.89	0.88	0.83	13230	2.50	0.60	5.3	33	620	o.r.
2220	1SL7 503-4NA80-0A.2	1486	150	95.8	96.5	97.0	97.1	0.88	0.89	0.88	0.85	14275	2.25	0.80	5.0	37	625	o.r.
2240	1SL7 503-4NA80-0C.0	1487	148	95.8	96.5	97.0	97.0	0.88	0.90	0.89	0.86	14402	2.20	0.60	4.6	45	645	o.r.
2500	1SL7 504-4NA80-0C.2	1488	168	96.0	96.6	97.1	97.0	0.88	0.89	0.88	0.85	16064	2.20	0.55	4.6	50	630	o.r.
2450	1SL7 504-4NA80-0A.2	1486	164	95.8	96.6	97.1	97.2	0.87	0.89	0.89	0.86	15757	2.25	0.75	5.0	40	675	o.r.
2870	1SL7 507-4NA80-0C.2	1489	192	96.3	96.8	97.1	97.0	0.88	0.89	0.87	0.82	18423	2.35	0.55	4.8	56	875	o.r.
2610	1SL7 507-4NA80-0A.2	1486	174	95.9	96.6	97.1	97.2	0.89	0.90	0.90	0.87	16784	2.30	0.85	5.2	46	755	o.r.
3150	1SL7 508-4NA80-0C.2	1490	210	96.5	97.0	97.3	97.1	0.89	0.90	0.88	0.84	20209	2.60	0.70	5.4	62	905	o.r.
2950	1SL7 508-4NA80-0A.2	1486	196	96.1	96.8	97.2	97.3	0.88	0.90	0.90	0.87	18968	2.35	0.85	5.3	50	815	o.r.
3550	1SL7 563-4NA80-0C.2	1489	238	96.3	96.9	97.3	97.3	0.87	0.89	0.88	0.85	22783	2.05	0.65	5.0	80	725	o.r.
4150	1SL7 564-4NA80-0C.2	1490	278	96.6	97.0	97.4	97.3	0.87	0.89	0.87	0.84	26609	2.20	0.60	5.3	90	835	o.r.
4700	1SL7 566-4NA80-0C.2	1490	314	96.8	97.2	97.5	97.4	0.88	0.89	0.88	0.84	30131	2.25	0.60	5.4	100	885	o.r.
5100	1SL7 567-4NA80-0C.2	1491	340	96.8	97.2	97.6	97.5	0.89	0.89	0.89	0.86	32693	2.30	0.70	5.5	110	935	o.r.
5600	1SL7 568-4NA80-0C.2	1490	369	96.9	97.3	97.7	97.7	0.89	0.90	0.90	0.87	35911	2.20	0.65	5.3	119	940	o.r.
6000	1SL8 633-4NA80-0C.0	1490	400	96.7	97.2	97.4	97.3	0.87	0.89	0.88	0.84	38454	2.10	0.50	5.0	151	710	o.r.
6800	1SL8 634-4NA80-0C.0	1490	455	96.8	97.3	97.6	97.5	0.87	0.89	0.89	0.86	43581	2.10	0.50	5.0	166	740	o.r.
7700	1SL8 637-4NA80-0C.0	1490	510	97.0	97.4	97.6	97.5	0.87	0.89	0.88	0.85	49349	2.15	0.50	5.2	182	770	o.r.
8550	1SL8 638-4NA80-0C.0	1490	570	97.1	97.5	97.7	97.6	0.88	0.89	0.89	0.85	54796	2.25	0.55	5.5	198	810	o.r.
8900	1SL8 712-4NA80-0C.0	1491	590	97.0	97.5	97.7	97.5	0.87	0.89	0.89	0.86	57001	2.20	0.45	5.2	259	800	o.r.
9850	1SL8 713-4NA80-0C.0	1491	660	97.1	97.5	97.7	97.6	0.87	0.89	0.89	0.86	63086	2.20	0.45	5.2	284	840	o.r.
10500	1SL8 714-4NA80-0C.0	1492	690	97.2	97.6	97.8	97.7	0.89	0.90	0.90	0.87	67203	2.45	0.55	2.9	312	970	o.r.
11600	1SL8 717-4NA80-0C.0	1492	750	97.3	97.7	97.9	97.7	0.90	0.91	0.90	0.87	74244	2.55	0.60	6.0	346	1070	o.r.
12500	1SL8 718-4NA80-0C.2	1492	810	97.4	97.7	97.9	97.7	0.90	0.91	0.90	0.86	80004	2.60	0.60	6.0	365	1080	o.r.
6-pole: $n_{sync} = 1000$ rpm at 50 Hz																		
1000	1SL7 452-6NA80-0A.0	990	72	94.3	95.2	95.6	95.6	0.83	0.84	0.80	0.70	9655	2.35	0.70	5.2	20	495	o.r.
1020	1SL7 452-6NA80-0C.0	989	73	94.2	95.1	95.6	95.8	0.84	0.85	0.82	0.74	9850	2.30	0.60	4.9	27	645	o.r.
1120	1SL7 453-6NA80-0A.0	990	81	94.4	95.3	95.7	95.8	0.84	0.84	0.80	0.71	10816	2.30	0.70	5.1	22	535	o.r.
1150	1SL7 453-6NA80-0C.0	989	82	94.3	95.2	95.8	95.9	0.84	0.85	0.83	0.75	11108	2.25	0.60	4.8	30	680	o.r.
1250	1SL7 454-6NA80-0A.0	990	89	94.6	95.4	95.9	96.0	0.84	0.85	0.81	0.72	12073	2.35	0.70	5.2	24	595	o.r.
1270	1SL7 454-6NA80-0C.0	989	90	94.5	95.4	95.9	96.1	0.84	0.85	0.83	0.76	12264	2.30	0.60	4.9	33	770	o.r.
1360	1SL7 457-6NA80-0A.0	990	97	94.8	95.6	96.0	96.1	0.85	0.85	0.82	0.73	13128	2.40	0.80	5.3	28	655	o.r.
1400	1SL7 457-6NA80-0C.0	990	98	94.7	95.6	96.1	96.2	0.85	0.86	0.84	0.76	13520	2.30	0.65	5.0	36	840	o.r.
1480	1SL7 458-6NA80-0A.0	991	104	95.1	95.8	96.2	96.2	0.85	0.86	0.82	0.73	14277	2.50	0.80	5.5	31	785	o.r.

Innomotics HV M - 1SL, IC81W 10000 V / 50 Hz B3 (IM 1001)																			
Rated power IEC	Article No.	Speed	Rated current		Efficiency				Power factor				Torque T_R	Breakdown torque T_B/ T_R	Locked torque T_{LR}/ T_R	Locked rotor current I_{LR}/ I_R	Inertia		
			I_R	I_R	5/4 load	4/4 load	3/4 load	2/4 load	5/4 load	4/4 load	3/4 load	2/4 load					motor	external	Startup max T/TR
kW		rpm	A	A	%	%	%	%	$\cos \varphi$	$\cos \varphi$	$\cos \varphi$	$\cos \varphi$	Nm	[-]	[-]	[-]	kgm ²	kgm ²	[-]
1520	1SL7 458-6NA80-0C.0	990	106	106	95.0	95.8	96.2	96.3	0.86	0.86	0.84	0.77	14669	2.45	0.65	5.1	41	950	o.r.
1670	1SL7 502-6NA80-0C.2	992	112	112	95.4	96.2	96.6	96.7	0.84	0.86	0.84	0.78	16101	2.15	0.65	4.4	54	1290	o.r.
1600	1SL7 502-6NA80-0A.0	991	112	112	95.1	96.0	96.5	96.6	0.85	0.86	0.85	0.78	15434	2.15	0.85	4.6	42	800	o.r.
1950	1SL7 503-6NA80-0C.2	992	126	126	95.7	96.3	96.7	96.7	0.85	0.86	0.83	0.75	18785	2.30	0.80	4.7	60	1240	o.r.
1800	1SL7 503-6NA80-0A.0	991	126	126	95.3	96.1	96.6	96.7	0.85	0.86	0.85	0.78	17362	2.15	0.90	4.7	46	840	o.r.
2130	1SL7 504-6NA80-0C.2	992	138	138	95.9	96.5	96.8	96.8	0.85	0.86	0.82	0.74	20512	2.40	0.80	4.8	66	1640	o.r.
1970	1SL7 504-6NA80-0A.2	991	138	138	95.5	96.2	96.7	96.7	0.86	0.86	0.84	0.76	19002	2.30	1.00	5.0	51	980	o.r.
2300	1SL7 507-6NA80-0C.2	992	156	156	96.0	96.6	96.9	96.8	0.86	0.86	0.83	0.75	22136	2.45	0.80	5.0	74	1580	o.r.
2220	1SL7 507-6NA80-0A.2	991	138	138	95.7	96.4	96.9	97.0	0.86	0.86	0.85	0.79	21411	2.25	0.90	4.9	58	1360	o.r.
2370	1SL7 508-6NA80-0A.2	991	156	156	96.0	96.5	96.9	97.0	0.86	0.86	0.84	0.76	22847	2.45	0.95	5.4	63	1800	o.r.
2500	1SL7 508-6NA80-0C.2	992	174	174	96.2	96.7	97.0	97.0	0.86	0.86	0.84	0.77	24060	2.45	0.85	5.1	81	1990	o.r.
3000	1SL7 562-6NA80-0C.2	992	210	210	95.9	96.5	96.7	96.7	0.85	0.86	0.84	0.80	28896	2.00	0.60	5.2	105	1935	o.r.
3250	1SL7 563-6NA80-0C.2	992	225	225	96.0	96.5	96.8	96.8	0.85	0.86	0.84	0.80	31301	2.00	0.60	5.2	113	1970	o.r.
3550	1SL7 564-6NA80-0C.2	992	245	245	96.1	96.7	96.9	96.9	0.85	0.86	0.85	0.80	34188	2.00	0.60	5.5	124	1965	o.r.
3900	1SL7 567-6NA80-0C.2	993	270	270	96.3	96.7	97.0	97.0	0.85	0.86	0.85	0.81	37545	2.00	0.60	5.2	137	2350	o.r.
4200	1SL7 568-6NA80-0C.2	993	290	290	96.5	96.9	97.1	97.1	0.86	0.86	0.85	0.81	40414	2.00	0.60	5.5	151	3125	o.r.
4700	1SL8 632-6NA80-0C.0	991	325	325	96.3	96.9	97.1	97.0	0.84	0.86	0.83	0.76	45289	2.15	0.55	4.9	193	2130	o.r.
5000	1SL8 633-6NA80-0C.2	991	345	345	96.3	96.9	97.2	97.2	0.84	0.86	0.84	0.79	48180	2.05	0.50	4.7	209	2320	o.r.
5400	1SL8 634-6NA80-0C.0	992	370	370	96.4	97.0	97.3	97.2	0.84	0.87	0.85	0.80	51982	2.05	0.50	4.7	227	2580	o.r.
5850	1SL8 637-6NA80-0C.0	992	400	400	96.5	97.1	97.4	97.3	0.85	0.87	0.85	0.80	56314	2.10	0.50	4.7	247	2860	o.r.
6400	1SL8 638-6NA80-0C.0	992	435	435	96.7	97.2	97.4	97.2	0.86	0.87	0.84	0.78	61608	2.25	0.60	5.1	265	3100	o.r.
6800	1SL8 712-6NA80-0C.0	993	465	465	96.8	97.3	97.6	97.5	0.85	0.87	0.85	0.80	65393	2.15	0.50	5.1	331	2590	o.r.
7550	1SL8 713-6NA80-0C.0	994	510	510	97.0	97.5	97.7	97.5	0.86	0.87	0.85	0.79	72532	2.30	0.60	5.4	374	2990	o.r.
8750	1SL8 714-6NA80-0C.0	994	600	600	97.1	97.5	97.7	97.6	0.85	0.87	0.85	0.79	84061	2.25	0.50	5.4	423	3310	o.r.
9500	1SL8 717-6NA80-0C.0	994	640	640	97.2	97.6	97.8	97.7	0.87	0.88	0.87	0.81	91266	2.30	0.60	5.5	478	3770	o.r.
10500	1SL8 718-6NA80-0C.0	994	720	720	97.3	97.7	97.8	97.6	0.86	0.86	0.83	0.76	100873	2.35	0.50	5.5	520	4500	o.r.
8-pole: $n_{sync} = 750$ rpm at 50 Hz																			
670	1SL7 451-8NA80-0A.0	741	51	51	93.5	94.6	95.0	95.0	0.80	0.80	0.73	0.61	8632	2.05	0.70	5.0	23	580	o.r.
680	1SL7 451-8NA80-0C.0	741	51	51	93.6	94.6	95.0	95.1	0.82	0.81	0.75	0.63	8758	2.25	0.65	5.1	30	790	o.r.
760	1SL7 452-8NA80-0A.0	741	57	57	93.7	94.8	95.3	95.4	0.81	0.81	0.76	0.64	9794	2.05	0.70	5.0	25	790	o.r.
770	1SL7 452-8NA80-0C.0	741	57	57	93.8	94.9	95.3	95.5	0.82	0.82	0.77	0.66	9918	2.25	0.65	5.1	32	1060	o.r.
860	1SL7 453-8NA80-0A.0	741	65	65	94.2	95.1	95.4	95.4	0.80	0.80	0.73	0.60	11076	2.25	0.75	5.0	28	1030	o.r.
890	1SL7 453-8NA80-0C.2	742	67	67	94.2	95.2	95.5	95.5	0.82	0.81	0.75	0.63	11461	2.40	0.65	5.0	36	1230	o.r.
950	1SL7 454-8NA80-0A.0	741	71	71	94.2	95.2	95.6	95.7	0.81	0.81	0.75	0.63	12242	2.20	0.75	5.0	31	1170	o.r.
980	1SL7 454-8NA80-0C.2	742	72	72	94.3	95.3	95.7	95.7	0.83	0.82	0.77	0.66	12623	2.45	0.70	5.1	40	1430	o.r.
1030	1SL7 457-8NA80-0A.0	741	77	77	94.4	95.4	95.8	95.8	0.82	0.81	0.76	0.65	13272	2.25	0.80	5.2	35	1340	o.r.
1060	1SL7 457-8NA80-0C.0	742	77	77	94.5	95.4	95.8	95.8	0.83	0.83	0.78	0.67	13650	2.45	0.70	5.2	45	1680	o.r.

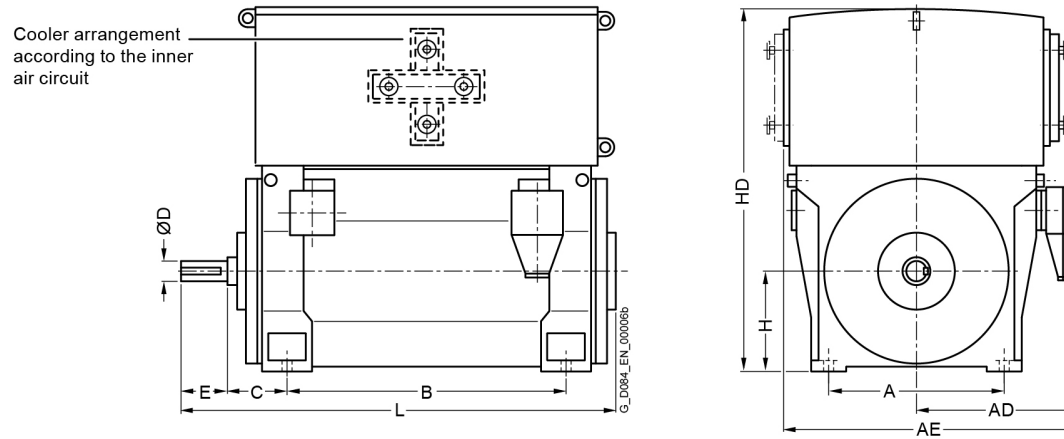
Innomotics HV M - 1SL, IC81W 10000 V / 50 Hz B3 (IM 1001)																			
Rated power IEC	Article No.	Speed	Rated current I_R	Efficiency				Power factor				Torque T_R	Breakdown torque T_B/ T_R	Locked rotor torque T_{LR}/ T_R	Locked rotor current I_{LR}/ I_R	Inertia			
				5/4 load	4/4 load	3/4 load	2/4 load	5/4 load	4/4 load	3/4 load	2/4 load					motor	external	Startup max T/TR	
kW		rpm	A	%	%	%	%	$\cos \varphi$	$\cos \varphi$	$\cos \varphi$	$\cos \varphi$	Nm	[-]	[-]	[-]	kgm ²	kgm ²	[-]	
1120	1SL7 458-8NA80-0A.2	742	84	94.6	95.6	95.8	95.8	0.82	0.81	0.76	0.64	14424	2.30	0.80	5.3	39	1440	o.r.	
1140	1SL7 458-8NA80-0C.2	742	83	94.7	95.6	95.9	95.9	0.83	0.83	0.77	0.66	14669	2.55	0.75	5.5	50	1830	o.r.	
1250	1SL7 502-8NA80-0C.2	742	91	95.1	95.9	96.3	96.5	0.81	0.83	0.80	0.73	16083	2.10	0.50	4.0	59	2570	o.r.	
1250	1SL7 502-8NA80-0A.2	742	92	94.8	95.8	96.3	96.5	0.81	0.82	0.82	0.75	16088	1.90	0.70	3.9	46	1310	o.r.	
1380	1SL7 503-8NA80-0A.2	743	102	95.2	95.9	96.4	96.5	0.82	0.82	0.80	0.73	17743	2.10	0.80	4.2	51	1920	o.r.	
1400	1SL7 503-8NA80-0C.2	742	102	95.1	95.9	96.4	96.6	0.82	0.83	0.80	0.74	18017	2.05	0.55	4.0	65	2370	o.r.	
1550	1SL7 504-8NA80-0A.2	743	112	95.3	96.1	96.5	96.6	0.82	0.83	0.80	0.73	19942	2.10	0.80	4.3	56	2870	o.r.	
1600	1SL7 504-8NA80-0C.2	742	116	95.2	96.0	96.5	96.7	0.81	0.83	0.82	0.74	20596	2.05	0.55	3.9	72	2420	o.r.	
1720	1SL7 507-8NA80-0A.2	743	126	95.6	96.2	96.6	96.6	0.82	0.82	0.80	0.72	22119	2.15	0.85	4.4	63	3460	o.r.	
1760	1SL7 507-8NA80-0C.2	743	128	95.5	96.2	96.6	96.8	0.82	0.83	0.80	0.74	22637	2.15	0.55	4.1	80	3320	o.r.	
1810	1SL7 508-8NA80-0A.2	744	134	95.8	96.3	96.5	96.4	0.82	0.81	0.77	0.67	23242	2.50	0.95	5.0	69	3350	o.r.	
1900	1SL7 508-8NA80-0C.2	743	138	95.8	96.3	96.6	96.6	0.82	0.82	0.79	0.70	24416	2.40	0.65	4.6	88	4080	o.r.	
2050	1SL7 562-8NA80-0C.2	744	148	95.4	96.1	96.4	96.2	0.82	0.83	0.80	0.73	26331	2.05	0.55	4.5	115	2835	o.r.	
2280	1SL7 563-8NA80-0C.2	744	164	95.6	96.2	96.5	96.3	0.82	0.83	0.80	0.73	29302	2.10	0.60	4.5	124	2985	o.r.	
2600	1SL7 564-8NA80-0C.2	744	188	95.8	96.4	96.7	96.5	0.82	0.83	0.80	0.74	33424	2.05	0.60	4.5	137	4255	o.r.	
2900	1SL7 567-8NA80-0C.2	744	210	96.0	96.5	96.8	96.6	0.82	0.83	0.80	0.73	37275	2.10	0.55	4.6	150	5395	o.r.	
3150	1SL7 568-8NA80-0C.2	744	225	96.1	96.6	96.9	96.6	0.83	0.83	0.81	0.74	40482	2.10	0.60	4.6	165	6300	o.r.	
3750	1SL8 634-8NA80-0C.0	743	265	95.6	96.3	96.5	96.4	0.84	0.85	0.82	0.76	48196	1.90	0.40	4.2	251	4130	o.r.	
4200	1SL8 637-8NA80-0C.0	744	290	96.0	96.5	96.6	96.3	0.85	0.86	0.81	0.73	53907	2.20	0.50	4.8	292	5610	o.r.	
4450	1SL8 638-8NA80-0C.0	744	310	96.2	96.7	96.7	96.4	0.86	0.86	0.81	0.72	57116	2.30	0.55	5.1	326	7020	o.r.	
4750	1SL8 712-8NA80-0C.0	745	310	96.3	96.7	96.8	96.5	0.86	0.86	0.81	0.72	60885	2.40	0.50	5.1	422	4890	o.r.	
5250	1SL8 713-8NA80-0C.0	745	345	96.4	96.8	96.9	96.6	0.87	0.87	0.83	0.74	67294	2.45	0.60	5.3	474	4570	o.r.	
6000	1SL8 714-8NA80-0C.0	746	390	96.6	97.0	97.0	96.6	0.86	0.86	0.81	0.72	76804	2.40	0.55	5.1	539	5540	o.r.	
6800	1SL8 717-8NA80-0C.0	746	440	96.7	97.0	97.0	96.6	0.85	0.85	0.80	0.70	87045	2.40	0.50	5.1	614	6160	o.r.	
7400	1SL8 718-8NA80-0C.0	746	495	96.8	97.1	97.0	96.6	0.86	0.85	0.80	0.69	94725	2.50	0.50	5.3	677	7320	o.r.	



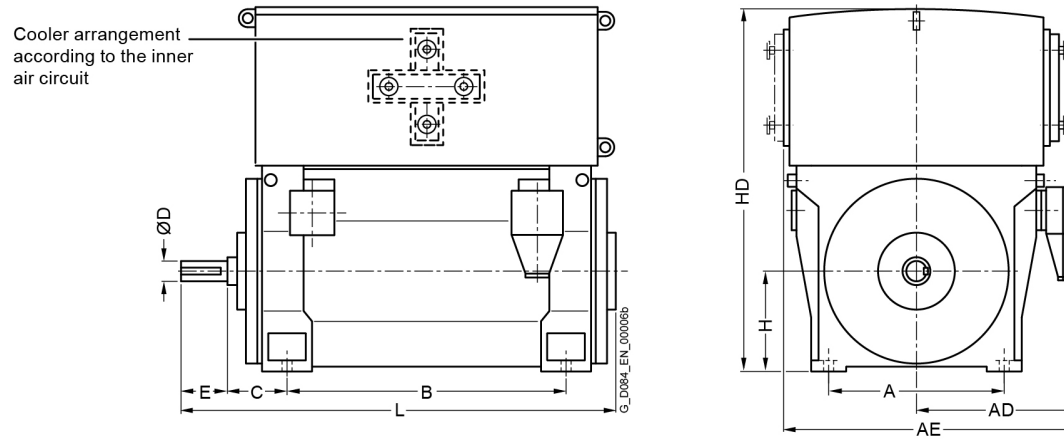
Motor type	Weight	Dimensions											
		A	AD	AE	B	C	D	E	H	HD	L	ML	
	kg	mm	mm	mm	mm	mm	mm	mm	mm	mm	mm	mm	mm
Innomotics HV M - 1SL. IC81W 10000 V / 50 Hz B3 (IM 1001) - Dimension drawings													
2-pole													
1SL7 453-2NA80-0AA2	4250	850	1140	1760	1180	250	95	130	450	1650	1840	o.r.	
1SL7 453-2NA80-0AC2	4150	850	1140	1760	1180	475	95	130	450	1650	2270	o.r.	
1SL7 453-2NA80-0CA0	4350	850	1140	1760	1180	250	95	130	450	1650	1840	o.r.	
1SL7 453-2NA80-0CC0	4300	850	1140	1760	1180	475	95	130	450	1650	2270	o.r.	
1SL7 454-2NA80-0AA2	4350	850	1140	1760	1180	250	95	130	450	1650	1840	o.r.	
1SL7 454-2NA80-0AC2	4300	850	1140	1760	1180	475	95	130	450	1650	2270	o.r.	
1SL7 454-2NA80-0CA2	4500	850	1140	1760	1180	250	95	130	450	1650	1840	o.r.	
1SL7 454-2NA80-0CC2	4400	850	1140	1760	1180	475	95	130	450	1650	2270	o.r.	
1SL7 457-2NA80-0AA2	4750	850	1140	1760	1400	250	95	130	450	1650	2050	o.r.	
1SL7 457-2NA80-0AC2	4650	850	1140	1760	1400	475	95	130	450	1650	2480	o.r.	
1SL7 457-2NA80-0CA2	4900	850	1140	1760	1400	250	95	130	450	1650	2050	o.r.	
1SL7 457-2NA80-0CC2	4800	850	1140	1760	1400	475	95	130	450	1650	2480	o.r.	
1SL7 458-2NA80-0AA2	4950	850	1140	1760	1400	250	95	130	450	1650	2050	o.r.	
1SL7 458-2NA80-0AC2	4850	850	1140	1760	1400	475	95	130	450	1650	2480	o.r.	
1SL7 458-2NA80-0CA2	5100	850	1140	1760	1400	250	95	130	450	1650	2050	o.r.	
1SL7 458-2NA80-0CC2	5000	850	1140	1760	1400	475	95	130	450	1650	2480	o.r.	
1SL7 503-2NA80-0AA0	5750	950	1220	1920	1320	250	110	165	500	1790	1960	o.r.	
1SL7 503-2NA80-0AC0	5700	950	1220	1920	1320	530	120	165	500	1790	2510	o.r.	
1SL7 503-2NA80-0CA0	5900	950	1220	1920	1320	250	110	165	500	1790	1960	o.r.	
1SL7 503-2NA80-0CC0	5850	950	1220	1920	1320	530	120	165	500	1790	2510	o.r.	
1SL7 504-2NA80-0AA0	5800	950	1220	1920	1320	250	110	165	500	1790	1960	o.r.	
1SL7 504-2NA80-0AC0	5750	950	1220	1920	1320	530	120	165	500	1790	2510	o.r.	



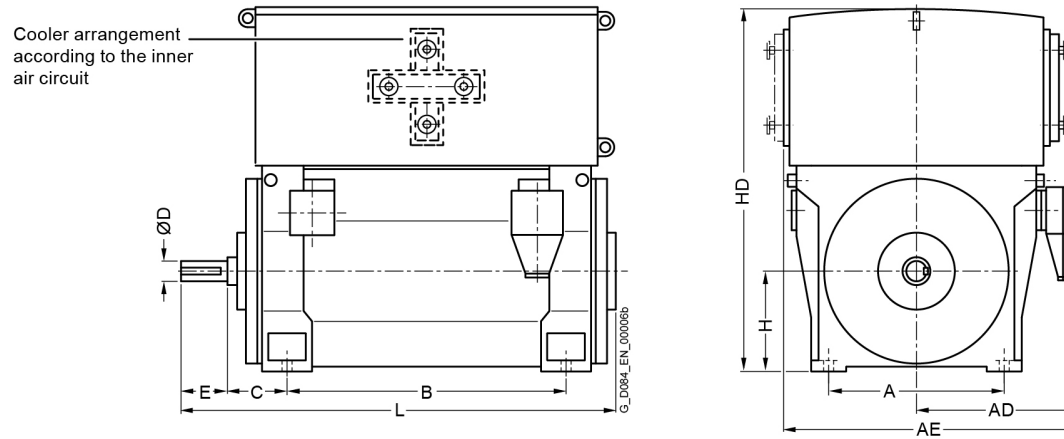
Motor type	Weight kg	Dimensions										
		A mm	AD mm	AE mm	B mm	C mm	D mm	E mm	H mm	HD mm	L mm	ML mm
Innomotics HV M - 1SL. IC81W 10000 V / 50 Hz B3 (IM 1001) - Dimension drawings												
1SL7 504-2NA80-0CA2	5950	950	1220	1920	1320	250	110	165	500	1790	1960	o.r.
1SL7 504-2NA80-0CC2	5900	950	1220	1920	1320	530	120	165	500	1790	2510	o.r.
1SL7 507-2NA80-0AA2	6450	950	1220	1920	1500	250	110	165	500	1790	2170	o.r.
1SL7 507-2NA80-0AC2	6400	950	1220	1920	1500	530	120	165	500	1790	2720	o.r.
1SL7 507-2NA80-0CA2	6600	950	1220	1920	1500	250	110	165	500	1790	2170	o.r.
1SL7 507-2NA80-0CC2	6550	950	1220	1920	1500	530	120	165	500	1790	2720	o.r.
1SL7 508-2NA80-0AA2	6800	950	1220	1920	1500	250	110	165	500	1790	2170	o.r.
1SL7 508-2NA80-0AC2	6750	950	1220	1920	1500	530	120	165	500	1790	2720	o.r.
1SL7 508-2NA80-0CA2	7000	950	1220	1920	1500	250	110	165	500	1790	2170	o.r.
1SL7 508-2NA80-0CC2	6900	950	1220	1920	1500	530	120	165	500	1790	2720	o.r.
1SL7 562-2NA80-0CC2	7600	1060	1290	2060	1400	600	150	200	560	1970	2810	o.r.
1SL7 563-2NA80-0CC2	7850	1060	1290	2060	1400	600	150	200	560	1970	2810	o.r.
1SL7 564-2NA80-0CC2	8100	1060	1290	2060	1400	600	150	200	560	1970	2810	o.r.
1SL7 567-2NA80-0CC2	8950	1060	1290	2060	1600	600	150	200	560	1970	3040	o.r.
1SL7 568-2NA80-0CC2	9500	1060	1290	2060	1600	600	150	200	560	1970	3040	o.r.
1SL8 632-2NA80-0CJ0	9200	1320	1520	2520	1600	560	160	240	630	2250	2890	o.r.
1SL8 633-2NA80-0CJ0	9700	1320	1520	2520	1600	560	160	240	630	2250	2890	o.r.
1SL8 634-2NA80-0CJ0	10200	1320	1520	2520	1600	560	160	240	630	2250	2890	o.r.
1SL8 637-2NA80-0CJ0	10950	1320	1520	2520	1800	560	160	240	630	2250	3090	o.r.
1SL8 638-2NA80-0CJ0	11600	1320	1520	2520	1800	560	160	240	630	2250	3090	o.r.
1SL8 712-2NA80-0CJ0	12900	1500	1620	2720	2000	560	180	240	710	2550	3280	o.r.
1SL8 713-2NA80-0CJ0	13550	1500	1620	2720	2000	560	180	240	710	2550	3280	o.r.
1SL8 714-2NA80-0CJ0	14350	1500	1620	2720	2000	560	180	240	710	2550	3280	o.r.



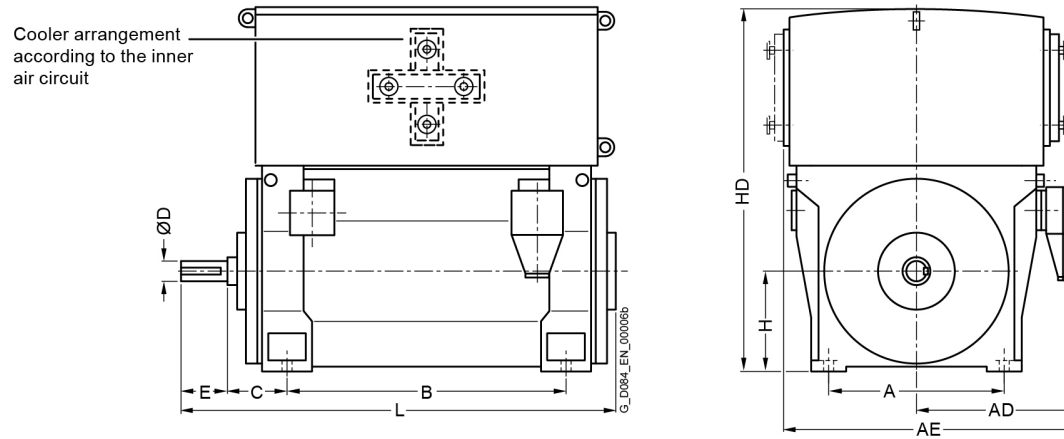
Motor type	Weight	Dimensions											
		A	AD	AE	B	C	D	E	H	HD	L	ML	
	kg	mm	mm	mm	mm	mm	mm	mm	mm	mm	mm	mm	mm
Innomotics HV M - 1SL. IC81W 10000 V / 50 Hz B3 (IM 1001) - Dimension drawings													
1SL8 716-2NA80-0CJ0	15200	1500	1620	2720	2240	560	180	240	710	2460	3520	o.r.	
1SL8 717-2NA80-0CJ0	16100	1500	1620	2720	2240	560	180	240	710	2460	3520	o.r.	
1SL8 718-2NA80-0CJ0	16800	1500	1620	2720	2240	560	180	240	710	2460	3520	o.r.	
4-pole													
1SL7 453-4NA80-0AA0	4300	850	1140	1760	1180	250	130	200	450	1740	1920	o.r.	
1SL7 453-4NA80-0AC0	4350	850	1140	1760	1180	500	130	200	450	1740	2390	o.r.	
1SL7 453-4NA80-0CA0	4450	850	1140	1760	1180	250	130	200	450	1740	1920	o.r.	
1SL7 453-4NA80-0CC0	4500	850	1140	1760	1180	500	130	200	450	1740	2390	o.r.	
1SL7 454-4NA80-0AA0	4500	850	1140	1760	1180	250	130	200	450	1740	1920	o.r.	
1SL7 454-4NA80-0AC0	4500	850	1140	1760	1180	500	130	200	450	1740	2390	o.r.	
1SL7 454-4NA80-0CA2	4650	850	1140	1760	1180	250	130	200	450	1740	1920	o.r.	
1SL7 454-4NA80-0CC2	4650	850	1140	1760	1180	500	130	200	450	1740	2390	o.r.	
1SL7 457-4NA80-0CA2	5250	850	1140	1760	1400	250	130	200	450	1740	2130	o.r.	
1SL7 457-4NA80-0CC2	5300	850	1140	1760	1400	500	130	200	450	1740	2600	o.r.	
1SL7 457-4NA80-0AA0	5100	850	1140	1760	1400	250	130	200	450	1740	2130	o.r.	
1SL7 457-4NA80-0AC0	5100	850	1140	1760	1400	500	130	200	450	1740	2600	o.r.	
1SL7 458-4NA80-0AA2	5300	850	1140	1760	1400	250	130	200	450	1740	2130	o.r.	
1SL7 458-4NA80-0AC2	5300	850	1140	1760	1400	500	130	200	450	1740	2600	o.r.	
1SL7 458-4NA80-0CA2	5500	850	1140	1760	1400	250	130	200	450	1740	2130	o.r.	
1SL7 458-4NA80-0CC2	5500	850	1140	1760	1400	500	130	200	450	1740	2600	o.r.	
1SL7 503-4NA80-0AA2	6000	950	1220	1920	1320	315	160	240	500	1790	2180	o.r.	
1SL7 503-4NA80-0AC2	6100	950	1220	1920	1320	560	170	240	500	1790	2620	o.r.	
1SL7 503-4NA80-0CA0	6150	950	1220	1920	1320	315	160	240	500	1790	2180	o.r.	



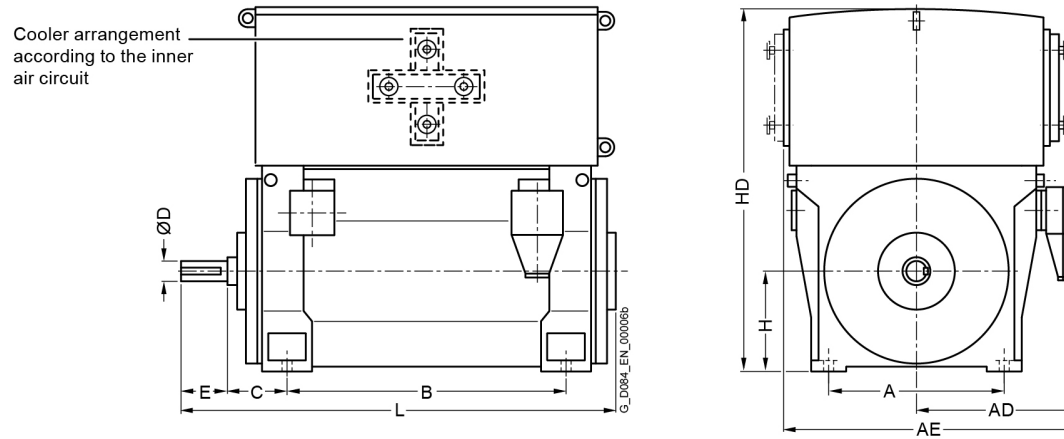
Motor type	Weight	Dimensions											
		A	AD	AE	B	C	D	E	H	HD	L	ML	
	kg	mm	mm	mm	mm	mm	mm	mm	mm	mm	mm	mm	mm
Innomotics HV M - 1SL. IC81W 10000 V / 50 Hz B3 (IM 1001) - Dimension drawings													
1SL7 503-4NA80-0CC0	6250	950	1220	1920	1320	560	170	240	500	1790	2620	o.r.	
1SL7 504-4NA80-0CA2	6400	950	1220	1920	1320	315	160	240	500	1790	2180	o.r.	
1SL7 504-4NA80-0CC2	6500	950	1220	1920	1320	560	170	240	500	1790	2620	o.r.	
1SL7 504-4NA80-0AA2	6300	950	1220	1920	1320	315	160	240	500	1790	2180	o.r.	
1SL7 504-4NA80-0AC2	6350	950	1220	1920	1320	560	170	240	500	1790	2620	o.r.	
1SL7 507-4NA80-0CA2	7100	950	1220	1920	1500	315	160	240	500	1790	2390	o.r.	
1SL7 507-4NA80-0CC2	7150	950	1220	1920	1500	560	170	240	500	1790	2830	o.r.	
1SL7 507-4NA80-0AA2	6900	950	1220	1920	1500	315	160	240	500	1790	2390	o.r.	
1SL7 507-4NA80-0AC2	6950	950	1220	1920	1500	560	170	240	500	1790	2830	o.r.	
1SL7 508-4NA80-0CA2	7450	950	1220	1920	1500	315	160	240	500	1790	2390	o.r.	
1SL7 508-4NA80-0CC2	7550	950	1220	1920	1500	560	170	240	500	1790	2830	o.r.	
1SL7 508-4NA80-0AA2	7250	950	1220	1920	1500	315	160	240	500	1790	2390	o.r.	
1SL7 508-4NA80-0AC2	7300	950	1220	1920	1500	560	170	240	500	1790	2830	o.r.	
1SL7 563-4NA80-0CA2	7900	1060	1290	2060	1400	335	190	280	560	1970	2390	o.r.	
1SL7 563-4NA80-0CC2	7950	1060	1290	2060	1400	600	190	280	560	1970	2850	o.r.	
1SL7 564-4NA80-0CA2	8350	1060	1290	2060	1400	335	190	280	560	1970	2390	o.r.	
1SL7 564-4NA80-0CC2	8450	1060	1290	2060	1400	600	190	280	560	1970	2850	o.r.	
1SL7 566-4NA80-0CA2	9200	1060	1290	2060	1600	335	190	280	560	1970	2620	o.r.	
1SL7 566-4NA80-0CC2	9300	1060	1290	2060	1600	600	190	280	560	1970	3080	o.r.	
1SL7 567-4NA80-0CA2	9600	1060	1290	2060	1600	335	190	280	560	1970	2620	o.r.	
1SL7 567-4NA80-0CC2	9700	1060	1290	2060	1600	600	190	280	560	1970	3080	o.r.	
1SL7 568-4NA80-0CA2	10100	1060	1290	2060	1600	335	190	280	560	1970	2620	o.r.	
1SL7 568-4NA80-0CC2	10150	1060	1290	2060	1600	600	190	280	560	1970	3080	o.r.	



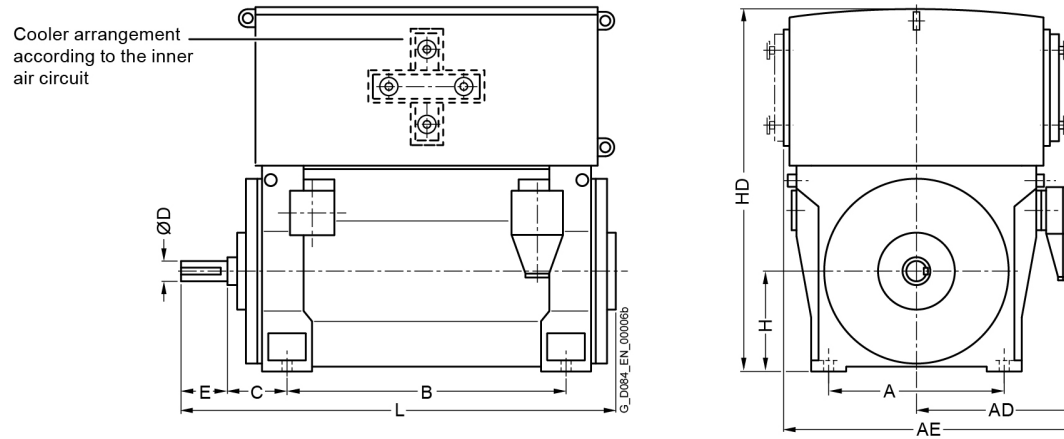
Motor type	Weight	Dimensions											
		A	AD	AE	B	C	D	E	H	HD	L	ML	
	kg	mm	mm	mm	mm	mm	mm	mm	mm	mm	mm	mm	mm
Innomotics HV M - 1SL. IC81W 10000 V / 50 Hz B3 (IM 1001) - Dimension drawings													
1SL8 633-4NA80-0CG0	10350	1320	1520	2520	1600	375	200	280	630	2250	2610	o.r.	
1SL8 633-4NA80-0CJ0	10450	1320	1520	2520	1600	630	200	280	630	2250	3090	o.r.	
1SL8 634-4NA80-0CG0	10900	1320	1520	2520	1600	375	200	280	630	2250	2610	o.r.	
1SL8 634-4NA80-0CJ0	11050	1320	1520	2520	1600	630	200	280	630	2250	3090	o.r.	
1SL8 637-4NA80-0CG0	11800	1320	1520	2520	1800	375	200	280	630	2250	2810	o.r.	
1SL8 637-4NA80-0CJ0	11900	1320	1520	2520	1800	630	200	280	630	2250	3290	o.r.	
1SL8 638-4NA80-0CG0	12350	1320	1520	2520	1800	375	200	280	630	2250	2810	o.r.	
1SL8 638-4NA80-0CJ0	12500	1320	1520	2520	1800	630	200	280	630	2250	3290	o.r.	
1SL8 712-4NA80-0CG0	14050	1500	1620	2720	2000	375	220	280	710	2550	3010	o.r.	
1SL8 712-4NA80-0CJ0	14200	1500	1620	2720	2000	630	220	280	710	2550	3480	o.r.	
1SL8 713-4NA80-0CG0	14750	1500	1620	2720	2000	375	220	280	710	2550	3010	o.r.	
1SL8 713-4NA80-0CJ0	14900	1500	1620	2720	2000	630	220	280	710	2550	3480	o.r.	
1SL8 714-4NA80-0CG0	15500	1500	1620	2720	2000	375	220	280	710	2550	3010	o.r.	
1SL8 714-4NA80-0CJ0	15600	1500	1620	2720	2000	630	220	280	710	2550	3480	o.r.	
1SL8 717-4NA80-0CG0	16700	1500	1620	2720	2240	375	220	280	710	2460	3250	o.r.	
1SL8 717-4NA80-0CJ0	16850	1500	1620	2720	2240	630	220	280	710	2460	3720	o.r.	
1SL8 718-4NA80-0CG2	17300	1500	1620	2720	2240	375	220	280	710	2460	3250	o.r.	
1SL8 718-4NA80-0CJ2	17400	1500	1620	2720	2240	630	220	280	710	2460	3720	o.r.	
6-pole													
1SL7 452-6NA80-0AA0	4200	850	1140	1760	1180	250	130	200	450	1740	1920	o.r.	
1SL7 452-6NA80-0AC0	4200	850	1140	1760	1180	500	130	200	450	1740	2390	o.r.	
1SL7 452-6NA80-0CA0	4350	850	1140	1760	1180	250	130	200	450	1740	1920	o.r.	
1SL7 452-6NA80-0CC0	4350	850	1140	1760	1180	500	130	200	450	1740	2390	o.r.	



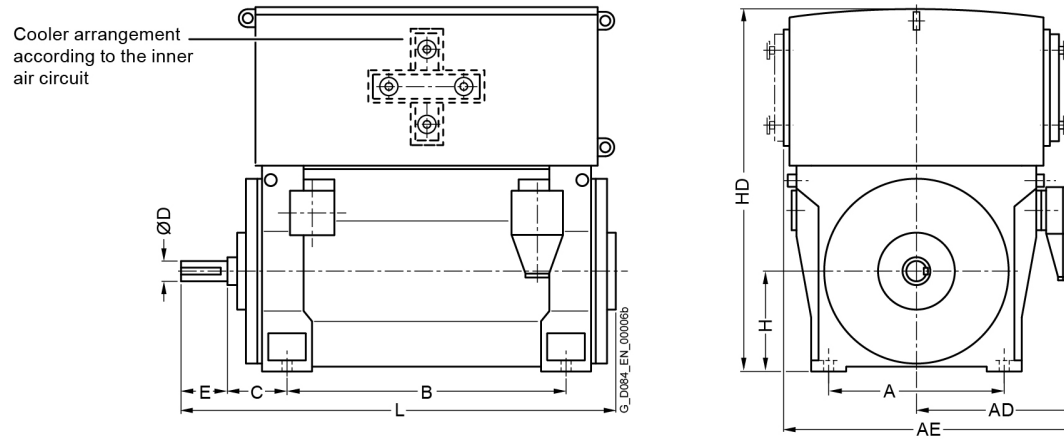
Motor type	Weight	Dimensions											
		A	AD	AE	B	C	D	E	H	HD	L	ML	
	kg	mm	mm	mm	mm	mm	mm	mm	mm	mm	mm	mm	mm
Innomotics HV M - 1SL. IC81W 10000 V / 50 Hz B3 (IM 1001) - Dimension drawings													
1SL7 453-6NA80-0AA0	4350	850	1140	1760	1180	250	130	200	450	1740	1920	o.r.	
1SL7 453-6NA80-0AC0	4350	850	1140	1760	1180	500	130	200	450	1740	2390	o.r.	
1SL7 453-6NA80-0CA0	4500	850	1140	1760	1180	250	130	200	450	1740	1920	o.r.	
1SL7 453-6NA80-0CC0	4500	850	1140	1760	1180	500	130	200	450	1740	2390	o.r.	
1SL7 454-6NA80-0AA0	4500	850	1140	1760	1180	250	130	200	450	1740	1920	o.r.	
1SL7 454-6NA80-0AC0	4550	850	1140	1760	1180	500	130	200	450	1740	2390	o.r.	
1SL7 454-6NA80-0CA0	4650	850	1140	1760	1180	250	130	200	450	1740	1920	o.r.	
1SL7 454-6NA80-0CC0	4700	850	1140	1760	1180	500	130	200	450	1740	2390	o.r.	
1SL7 457-6NA80-0AA0	4950	850	1140	1760	1400	250	130	200	450	1740	2130	o.r.	
1SL7 457-6NA80-0AC0	5000	850	1140	1760	1400	500	130	200	450	1740	2600	o.r.	
1SL7 457-6NA80-0CA0	5150	850	1140	1760	1400	250	130	200	450	1740	2130	o.r.	
1SL7 457-6NA80-0CC0	5200	850	1140	1760	1400	500	130	200	450	1740	2600	o.r.	
1SL7 458-6NA80-0AA0	5250	850	1140	1760	1400	250	130	200	450	1740	2130	o.r.	
1SL7 458-6NA80-0AC0	5250	850	1140	1760	1400	500	130	200	450	1740	2600	o.r.	
1SL7 458-6NA80-0CA0	5450	850	1140	1760	1400	250	130	200	450	1740	2130	o.r.	
1SL7 458-6NA80-0CC0	5500	850	1140	1760	1400	500	130	200	450	1740	2600	o.r.	
1SL7 502-6NA80-0CA2	6200	950	1220	1920	1320	315	160	240	500	1910	2180	o.r.	
1SL7 502-6NA80-0CC2	6250	950	1220	1920	1320	560	170	240	500	1910	2620	o.r.	
1SL7 502-6NA80-0AA0	5950	950	1220	1920	1320	315	160	240	500	1910	2180	o.r.	
1SL7 502-6NA80-0AC0	6000	950	1220	1920	1320	560	170	240	500	1910	2620	o.r.	
1SL7 503-6NA80-0CA2	6450	950	1220	1920	1320	315	160	240	500	1910	2180	o.r.	
1SL7 503-6NA80-0CC2	6500	950	1220	1920	1320	560	170	240	500	1910	2620	o.r.	
1SL7 503-6NA80-0AA0	6200	950	1220	1920	1320	315	160	240	500	1910	2180	o.r.	



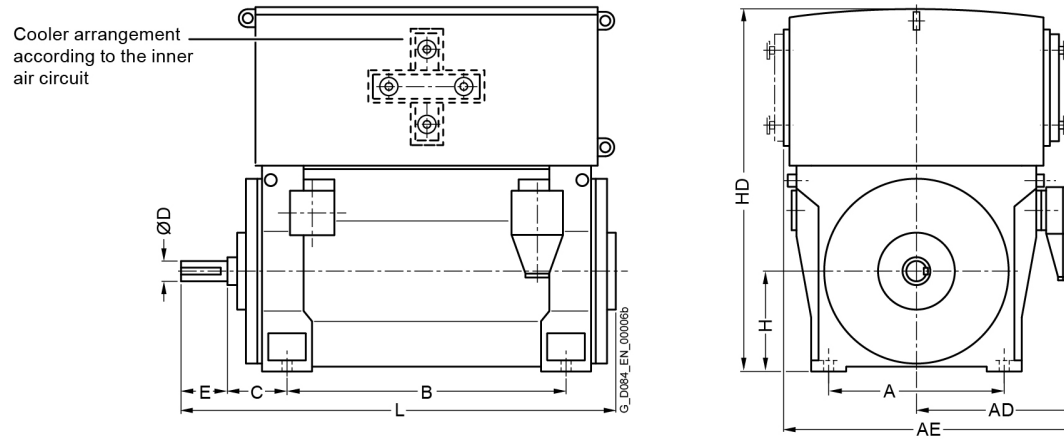
Motor type	Weight	Dimensions												
		A	AD	AE	B	C	D	E	H	HD	L	ML		
	kg	mm	mm	mm	mm	mm	mm	mm	mm	mm	mm	mm	mm	
Innomotics HV M - 1SL. IC81W 10000 V / 50 Hz B3 (IM 1001) - Dimension drawings														
1SL7 503-6NA80-0AC0	6250	950	1220	1920	1320	560	170	240	500	1910	2620	o.r.		
1SL7 504-6NA80-0CA2	6700	950	1220	1920	1320	315	160	240	500	1910	2180	o.r.		
1SL7 504-6NA80-0CC2	6800	950	1220	1920	1320	560	170	240	500	1910	2620	o.r.		
1SL7 504-6NA80-0AA2	6450	950	1220	1920	1320	315	160	240	500	1910	2180	o.r.		
1SL7 504-6NA80-0AC2	6500	950	1220	1920	1320	560	170	240	500	1910	2620	o.r.		
1SL7 507-6NA80-0CA2	7350	950	1220	1920	1500	315	160	240	500	1910	2390	o.r.		
1SL7 507-6NA80-0CC2	7450	950	1220	1920	1500	560	170	240	500	1910	2830	o.r.		
1SL7 507-6NA80-0AA2	7150	950	1220	1920	1500	315	160	240	500	1910	2390	o.r.		
1SL7 507-6NA80-0AC2	7200	950	1220	1920	1500	560	170	240	500	1910	2830	o.r.		
1SL7 508-6NA80-0AA2	7450	950	1220	1920	1500	315	160	240	500	1910	2390	o.r.		
1SL7 508-6NA80-0AC2	7500	950	1220	1920	1500	560	170	240	500	1910	2830	o.r.		
1SL7 508-6NA80-0CA2	7750	950	1220	1920	1500	315	160	240	500	1910	2390	o.r.		
1SL7 508-6NA80-0CC2	7800	950	1220	1920	1500	560	170	240	500	1910	2830	o.r.		
1SL7 562-6NA80-0CA2	8250	1060	1290	2060	1400	335	190	280	560	2110	2390	o.r.		
1SL7 562-6NA80-0CC2	8350	1060	1290	2060	1400	600	190	280	560	2110	2850	o.r.		
1SL7 563-6NA80-0CA2	8550	1060	1290	2060	1400	335	190	280	560	2110	2390	o.r.		
1SL7 563-6NA80-0CC2	8650	1060	1290	2060	1400	600	190	280	560	2110	2850	o.r.		
1SL7 564-6NA80-0CA2	8950	1060	1290	2060	1400	335	190	280	560	2110	2390	o.r.		
1SL7 564-6NA80-0CC2	9050	1060	1290	2060	1400	600	190	280	560	2110	2850	o.r.		
1SL7 567-6NA80-0CA2	9750	1060	1290	2060	1600	335	190	280	560	2110	2620	o.r.		
1SL7 567-6NA80-0CC2	9850	1060	1290	2060	1600	600	190	280	560	2110	3080	o.r.		
1SL7 568-6NA80-0CA2	10350	1060	1290	2060	1600	335	190	280	560	2110	2620	o.r.		
1SL7 568-6NA80-0CC2	10450	1060	1290	2060	1600	600	190	280	560	2110	3080	o.r.		



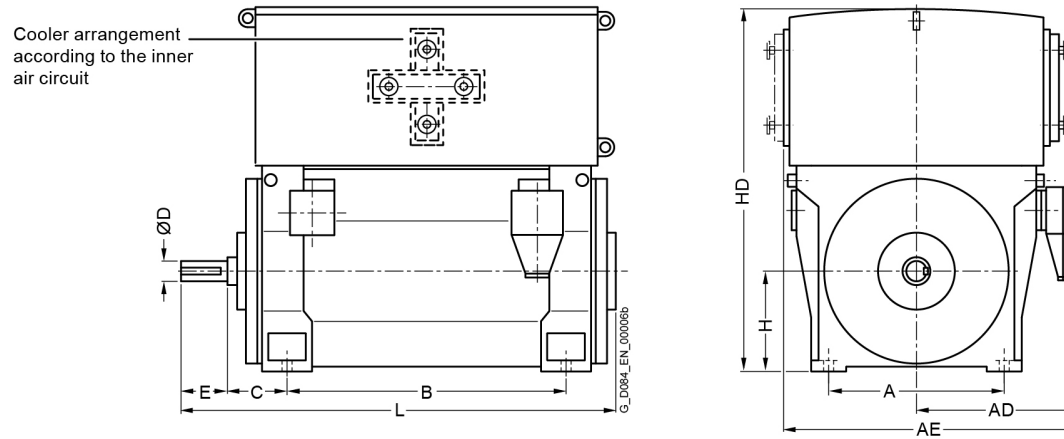
Motor type	Weight kg	Dimensions										
		A mm	AD mm	AE mm	B mm	C mm	D mm	E mm	H mm	HD mm	L mm	ML mm
Innomotics HV M - 1SL. IC81W 10000 V / 50 Hz B3 (IM 1001) - Dimension drawings												
1SL8 632-6NA80-0CG0	10350	1320	1520	2520	1600	375	200	280	630	2250	2610	o.r.
1SL8 632-6NA80-0CJ0	10450	1320	1520	2520	1600	630	200	280	630	2250	3090	o.r.
1SL8 633-6NA80-0CG2	10800	1320	1520	2520	1600	375	200	280	630	2250	2610	o.r.
1SL8 633-6NA80-0CJ2	10900	1320	1520	2520	1600	630	200	280	630	2250	3090	o.r.
1SL8 634-6NA80-0CG0	11350	1320	1520	2520	1600	375	200	280	630	2250	2610	o.r.
1SL8 634-6NA80-0CJ0	11450	1320	1520	2520	1600	630	200	280	630	2250	3090	o.r.
1SL8 637-6NA80-0CG0	12100	1320	1520	2520	1800	375	200	280	630	2250	2810	o.r.
1SL8 637-6NA80-0CJ0	12200	1320	1520	2520	1800	630	200	280	630	2250	3290	o.r.
1SL8 638-6NA80-0CG0	12600	1320	1520	2520	1800	375	200	280	630	2250	2810	o.r.
1SL8 638-6NA80-0CJ0	12700	1320	1520	2520	1800	630	200	280	630	2250	3290	o.r.
1SL8 712-6NA80-0CG0	14000	1500	1620	2720	2000	375	220	280	710	2550	3010	o.r.
1SL8 712-6NA80-0CJ0	14150	1500	1620	2720	2000	630	220	280	710	2550	3480	o.r.
1SL8 713-6NA80-0CG0	14950	1500	1620	2720	2000	375	220	280	710	2550	3010	o.r.
1SL8 713-6NA80-0CJ0	15050	1500	1620	2720	2000	630	220	280	710	2550	3480	o.r.
1SL8 714-6NA80-0CG0	16000	1500	1620	2720	2000	375	220	280	710	2550	3010	o.r.
1SL8 714-6NA80-0CJ0	16100	1500	1620	2720	2000	630	220	280	710	2550	3480	o.r.
1SL8 717-6NA80-0CG0	17400	1500	1620	2720	2240	375	220	280	710	2460	3250	o.r.
1SL8 717-6NA80-0CJ0	17550	1500	1620	2720	2240	630	220	280	710	2460	3720	o.r.
1SL8 718-6NA80-0CG0	18450	1500	1620	2720	2240	375	220	280	710	2460	3250	o.r.
1SL8 718-6NA80-0CJ0	18550	1500	1620	2720	2240	630	220	280	710	2460	3720	o.r.
8-pole												
1SL7 451-8NA80-0AA0	4150	850	1140	1760	1180	250	130	200	450	1740	1920	o.r.
1SL7 451-8NA80-0AC0	4200	850	1140	1760	1180	500	130	200	450	1740	2390	o.r.



Motor type	Weight	Dimensions											
		A	AD	AE	B	C	D	E	H	HD	L	ML	
	kg	mm	mm	mm	mm	mm	mm	mm	mm	mm	mm	mm	mm
Innomotics HV M - 1SL. IC81W 10000 V / 50 Hz B3 (IM 1001) - Dimension drawings													
1SL7 451-8NA80-0CA0	4300	850	1140	1760	1180	250	130	200	450	1740	1920	o.r.	
1SL7 451-8NA80-0CC0	4300	850	1140	1760	1180	500	130	200	450	1740	2390	o.r.	
1SL7 452-8NA80-0AA0	4300	850	1140	1760	1180	250	130	200	450	1740	1920	o.r.	
1SL7 452-8NA80-0AC0	4350	850	1140	1760	1180	500	130	200	450	1740	2390	o.r.	
1SL7 452-8NA80-0CA0	4450	850	1140	1760	1180	250	130	200	450	1740	1920	o.r.	
1SL7 452-8NA80-0CC0	4500	850	1140	1760	1180	500	130	200	450	1740	2390	o.r.	
1SL7 453-8NA80-0AA0	4500	850	1140	1760	1180	250	130	200	450	1740	1920	o.r.	
1SL7 453-8NA80-0AC0	4550	850	1140	1760	1180	500	130	200	450	1740	2390	o.r.	
1SL7 453-8NA80-0CA2	4650	850	1140	1760	1180	250	130	200	450	1740	1920	o.r.	
1SL7 453-8NA80-0CC2	4700	850	1140	1760	1180	500	130	200	450	1740	2390	o.r.	
1SL7 454-8NA80-0AA0	4750	850	1140	1760	1180	250	130	200	450	1740	1920	o.r.	
1SL7 454-8NA80-0AC0	4750	850	1140	1760	1180	500	130	200	450	1740	2390	o.r.	
1SL7 454-8NA80-0CA2	4900	850	1140	1760	1180	250	130	200	450	1740	1920	o.r.	
1SL7 454-8NA80-0CC2	4950	850	1140	1760	1180	500	130	200	450	1740	2390	o.r.	
1SL7 457-8NA80-0AA0	5250	850	1140	1760	1400	250	130	200	450	1740	2130	o.r.	
1SL7 457-8NA80-0AC0	5250	850	1140	1760	1400	500	130	200	450	1740	2600	o.r.	
1SL7 457-8NA80-0CA0	5400	850	1140	1760	1400	250	130	200	450	1740	2130	o.r.	
1SL7 457-8NA80-0CC0	5450	850	1140	1760	1400	500	130	200	450	1740	2600	o.r.	
1SL7 458-8NA80-0AA2	5500	850	1140	1760	1400	250	130	200	450	1740	2130	o.r.	
1SL7 458-8NA80-0AC2	5500	850	1140	1760	1400	500	130	200	450	1740	2600	o.r.	
1SL7 458-8NA80-0CA2	5700	850	1140	1760	1400	250	130	200	450	1740	2130	o.r.	
1SL7 458-8NA80-0CC2	5700	850	1140	1760	1400	500	130	200	450	1740	2600	o.r.	
1SL7 502-8NA80-0CA2	6200	950	1220	1920	1320	315	160	240	500	1910	2180	o.r.	



Motor type	Weight kg	Dimensions												
		A mm	AD mm	AE mm	B mm	C mm	D mm	E mm	H mm	HD mm	L mm	ML mm		
Innomotics HV M - 1SL. IC81W 10000 V / 50 Hz B3 (IM 1001) - Dimension drawings														
1SL7 502-8NA80-0CC2	6250	950	1220	1920	1320	560	170	240	500	1910	2620	o.r.		
1SL7 502-8NA80-0AA2	5950	950	1220	1920	1320	315	160	240	500	1910	2180	o.r.		
1SL7 502-8NA80-0AC2	6000	950	1220	1920	1320	560	170	240	500	1910	2620	o.r.		
1SL7 503-8NA80-0AA2	6200	950	1220	1920	1320	315	160	240	500	1910	2180	o.r.		
1SL7 503-8NA80-0AC2	6300	950	1220	1920	1320	560	170	240	500	1910	2620	o.r.		
1SL7 503-8NA80-0CA2	6450	950	1220	1920	1320	315	160	240	500	1910	2180	o.r.		
1SL7 503-8NA80-0CC2	6500	950	1220	1920	1320	560	170	240	500	1910	2620	o.r.		
1SL7 504-8NA80-0AA2	6500	950	1220	1920	1320	315	160	240	500	1910	2180	o.r.		
1SL7 504-8NA80-0AC2	6550	950	1220	1920	1320	560	170	240	500	1910	2620	o.r.		
1SL7 504-8NA80-0CA2	6750	950	1220	1920	1320	315	160	240	500	1910	2180	o.r.		
1SL7 504-8NA80-0CC2	6800	950	1220	1920	1320	560	170	240	500	1910	2620	o.r.		
1SL7 507-8NA80-0AA2	7200	950	1220	1920	1500	315	160	240	500	1910	2390	o.r.		
1SL7 507-8NA80-0AC2	7250	950	1220	1920	1500	560	170	240	500	1910	2830	o.r.		
1SL7 507-8NA80-0CA2	7450	950	1220	1920	1500	315	160	240	500	1910	2390	o.r.		
1SL7 507-8NA80-0CC2	7500	950	1220	1920	1500	560	170	240	500	1910	2830	o.r.		
1SL7 508-8NA80-0AA2	7500	950	1220	1920	1500	315	160	240	500	1910	2390	o.r.		
1SL7 508-8NA80-0AC2	7550	950	1220	1920	1500	560	170	240	500	1910	2830	o.r.		
1SL7 508-8NA80-0CA2	7750	950	1220	1920	1500	315	160	240	500	1910	2390	o.r.		
1SL7 508-8NA80-0CC2	7800	950	1220	1920	1500	560	170	240	500	1910	2830	o.r.		
1SL7 562-8NA80-0CA2	8150	1060	1290	2060	1400	335	190	280	560	2110	2390	o.r.		
1SL7 562-8NA80-0CC2	8250	1060	1290	2060	1400	600	190	280	560	2110	2850	o.r.		
1SL7 563-8NA80-0CA2	8450	1060	1290	2060	1400	335	190	280	560	2110	2390	o.r.		
1SL7 563-8NA80-0CC2	8500	1060	1290	2060	1400	600	190	280	560	2110	2850	o.r.		



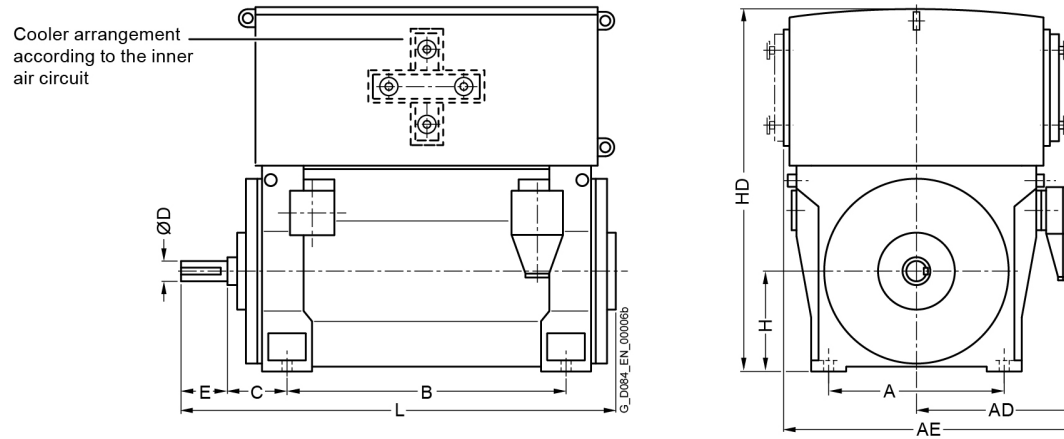
Motor type	Weight	Dimensions											
		A	AD	AE	B	C	D	E	H	HD	L	ML	
	kg	mm	mm	mm	mm	mm	mm	mm	mm	mm	mm	mm	
Innomotics HV M - 1SL. IC81W 10000 V / 50 Hz B3 (IM 1001) - Dimension drawings													
1SL7 564-8NA80-0CA2	8950	1060	1290	2060	1400	335	190	280	560	2110	2390	o.r.	
1SL7 564-8NA80-0CC2	9000	1060	1290	2060	1400	600	190	280	560	2110	2850	o.r.	
1SL7 567-8NA80-0CA2	9800	1060	1290	2060	1600	335	190	280	560	2110	2620	o.r.	
1SL7 567-8NA80-0CC2	9850	1060	1290	2060	1600	600	190	280	560	2110	3080	o.r.	
1SL7 568-8NA80-0CA2	10300	1060	1290	2060	1600	335	190	280	560	2110	2620	o.r.	
1SL7 568-8NA80-0CC2	10350	1060	1290	2060	1600	600	190	280	560	2110	3080	o.r.	
1SL8 634-8NA80-0CG0	10500	1320	1520	2520	1600	375	200	280	630	2380	2610	o.r.	
1SL8 634-8NA80-0CJ0	10600	1320	1520	2520	1600	630	200	280	630	2380	3090	o.r.	
1SL8 637-8NA80-0CG0	11650	1320	1520	2520	1800	375	200	280	630	2380	2810	o.r.	
1SL8 637-8NA80-0CJ0	11750	1320	1520	2520	1800	630	200	280	630	2380	3290	o.r.	
1SL8 638-8NA80-0CG0	12350	1320	1520	2520	1800	375	200	280	630	2380	2810	o.r.	
1SL8 638-8NA80-0CJ0	12450	1320	1520	2520	1800	630	200	280	630	2380	3290	o.r.	
1SL8 712-8NA80-0CG0	13550	1500	1620	2720	2000	375	220	280	710	2550	3010	o.r.	
1SL8 712-8NA80-0CJ0	13750	1500	1620	2720	2000	630	220	280	710	2550	3480	o.r.	
1SL8 713-8NA80-0CG0	14350	1500	1620	2720	2000	375	220	280	710	2550	3010	o.r.	
1SL8 713-8NA80-0CJ0	14550	1500	1620	2720	2000	630	220	280	710	2550	3480	o.r.	
1SL8 714-8NA80-0CG0	15500	1500	1620	2720	2000	375	220	280	710	2550	3010	o.r.	
1SL8 714-8NA80-0CJ0	15700	1500	1620	2720	2000	630	220	280	710	2550	3480	o.r.	
1SL8 717-8NA80-0CG0	17050	1500	1620	2720	2240	375	220	280	710	2460	3250	o.r.	
1SL8 717-8NA80-0CJ0	17250	1500	1620	2720	2240	630	220	280	710	2460	3720	o.r.	
1SL8 718-8NA80-0CG0	18100	1500	1620	2720	2240	375	220	280	710	2460	3250	o.r.	
1SL8 718-8NA80-0CJ0	18300	1500	1620	2720	2240	630	220	280	710	2460	3720	o.r.	

Innomotics HV M - 1SL, IC81W 11000 V / 50 Hz B3 (IM 1001)																		
Rated power IEC	Article No.	Speed	Rated current I_R	Efficiency				Power factor				Torque T_R	Breakdown torque T_B/ T_R	Locked torque T_{LR}/ T_R	Locked rotor current I_{LR}/ I_R	Inertia		
				5/4 load	4/4 load	3/4 load	2/4 load	5/4 load	4/4 load	3/4 load	2/4 load					motor	external	Startup max T/TR
kW		rpm	A	%	%	%	%	cos φ	cos φ	cos φ	cos φ	Nm	[-]	[-]	[-]	kgm ²	kgm ²	[-]
2-pole: $n_{sync} = 3000$ rpm at 50 Hz																		
1260	1SL7 452-2NA90-0A.0	2978	79	94.8	95.6	95.9	95.7	0.87	0.88	0.87	0.83	4040	2.20	0.50	5.2	9	45	o.r.
1400	1SL7 453-2NA90-0A.0	2978	87	95.1	95.8	96.1	95.9	0.87	0.88	0.87	0.83	4489	2.20	0.50	5.2	10	55	o.r.
1400	1SL7 453-2NA90-0C.0	2977	85	95.1	95.8	96.1	95.9	0.88	0.90	0.89	0.87	4491	2.20	0.55	5.2	14	75	o.r.
1500	1SL7 454-2NA90-0A.0	2980	93	95.3	95.9	96.1	95.7	0.87	0.88	0.86	0.80	4807	2.50	0.55	6.0	11	55	o.r.
1500	1SL7 454-2NA90-0C.0	2978	91	95.2	96.0	96.2	96.0	0.89	0.90	0.90	0.87	4810	2.30	0.60	5.4	15	75	o.r.
1700	1SL7 457-2NA90-0A.0	2980	106	95.5	96.1	96.2	95.9	0.88	0.88	0.86	0.80	5448	2.50	0.55	6.0	12	75	o.r.
1700	1SL7 457-2NA90-0C.0	2979	104	95.5	96.1	96.2	95.9	0.89	0.90	0.89	0.86	5449	2.50	0.60	5.6	16	100	o.r.
1900	1SL7 458-2NA90-0A.0	2980	116	95.7	96.3	96.5	96.2	0.88	0.89	0.87	0.82	6088	2.55	0.60	6.0	13	80	o.r.
1900	1SL7 458-2NA90-0C.0	2980	114	95.7	96.3	96.5	96.2	0.90	0.91	0.90	0.87	6088	2.50	0.60	5.8	17	110	o.r.
2200	1SL7 503-2NA90-0C.0	2976	134	95.7	96.3	96.7	96.6	0.88	0.89	0.89	0.86	7059	2.25	0.55	4.4	20	134	o.r.
2150	1SL7 503-2NA90-0A.0	2971	134	95.5	96.1	96.6	96.8	0.86	0.88	0.88	0.86	6910	2.00	0.45	5.0	15	28	o.r.
2500	1SL7 504-2NA90-0C.0	2977	152	96.0	96.5	96.7	96.6	0.88	0.89	0.89	0.84	8019	2.45	0.70	4.8	21	126	o.r.
2300	1SL7 504-2NA90-0A.0	2972	142	95.5	96.2	96.7	96.8	0.86	0.88	0.88	0.86	7390	2.00	0.45	5.0	15	28	o.r.
2750	1SL7 507-2NA90-0C.0	2979	166	96.3	96.7	97.0	96.9	0.89	0.90	0.90	0.86	8815	2.50	0.70	5.1	24	140	o.r.
2600	1SL7 507-2NA90-0A.0	2973	158	95.9	96.5	96.9	97.0	0.88	0.89	0.90	0.87	8351	2.30	0.50	5.4	18	36	o.r.
3100	1SL7 508-2NA90-0C.0	2980	184	96.5	96.9	97.1	97.0	0.90	0.91	0.91	0.87	9934	2.60	0.75	5.4	27	148	o.r.
2850	1SL7 508-2NA90-0A.0	2976	174	96.2	96.7	97.0	97.0	0.88	0.89	0.90	0.86	9145	2.50	0.45	5.9	20	44	o.r.
3670	1SL7 562-2NA90-0CC0	2982	225	96.3	96.6	96.8	96.5	0.88	0.89	0.88	0.85	11752	2.25	0.60	5.1	41	235	o.r.
3920	1SL7 563-2NA90-0CC0	2981	235	96.4	96.7	96.9	96.7	0.88	0.90	0.89	0.86	12557	2.25	0.55	5.1	44	240	o.r.
4430	1SL7 564-2NA90-0CC0	2983	270	96.5	96.7	96.9	96.5	0.88	0.89	0.87	0.83	14181	2.50	0.65	5.7	47	220	o.r.
5000	1SL7 567-2NA90-0CC0	2982	300	96.7	97.0	97.2	96.9	0.89	0.90	0.90	0.87	16012	2.35	0.60	5.4	52	270	o.r.
5170	1SL7 568-2NA90-0CC0	2985	305	96.9	97.1	97.2	96.9	0.91	0.91	0.90	0.86	16539	2.70	0.65	6.2	58	260	o.r.
5800	1SL8 632-2NA90-0CJ0	2982	355	96.3	96.9	96.8	96.4	0.86	0.88	0.89	0.87	18573	2.00	0.50	4.6	75	270	o.r.
6550	1SL8 633-2NA90-0CJ0	2982	400	96.5	97.0	97.0	96.6	0.87	0.89	0.89	0.88	20975	2.05	0.50	4.8	82	270	o.r.
7050	1SL8 634-2NA90-0CJ0	2982	430	96.6	97.1	97.1	96.7	0.87	0.89	0.90	0.89	22576	2.10	0.55	5.0	90	270	o.r.
8050	1SL8 637-2NA90-0CJ0	2983	480	96.8	97.3	97.2	96.9	0.88	0.90	0.91	0.89	25770	2.20	0.60	5.3	99	270	o.r.
8850	1SL8 638-2NA90-0CJ0	2984	520	97.0	97.4	97.4	97.0	0.89	0.91	0.91	0.89	28321	2.35	0.65	5.6	108	270	o.r.
9150	1SL8 712-2NA90-0CJ0	2984	560	96.7	97.0	97.0	96.5	0.85	0.88	0.89	0.88	29282	1.75	0.50	4.1	149	220	o.r.
9900	1SL8 713-2NA90-0CJ0	2985	600	96.8	97.1	97.1	96.6	0.86	0.89	0.89	0.89	31671	1.90	0.50	4.0	160	210	o.r.
10600	1SL8 714-2NA90-0CJ0	2986	630	97.0	97.2	97.1	96.6	0.88	0.91	0.90	0.89	33899	2.10	0.55	4.4	173	210	o.r.
12000	1SL8 716-2NA90-0CJ0	2986	720	97.1	97.3	97.3	96.8	0.88	0.90	0.90	0.89	38376	2.10	0.60	5.0	186	190	o.r.
13200	1SL8 717-2NA90-0CJ0	2987	780	97.3	97.4	97.4	96.9	0.89	0.91	0.91	0.90	42200	2.20	0.60	5.2	202	170	o.r.
13850	1SL8 718-2NA90-0CJ0	2988	820	97.2	97.4	97.4	97.0	0.89	0.91	0.91	0.90	44263	2.20	0.60	5.3	220	220	o.r.
4-pole: $n_{sync} = 1500$ rpm at 50 Hz																		
1380	1SL7 453-4NA90-0C.0	1486	87	95.0	95.8	96.2	96.1	0.87	0.87	0.84	0.77	8868	2.35	0.55	5.2	23	290	o.r.
1350	1SL7 453-4NA90-0A.0	1483	85	94.8	95.6	96.1	96.1	0.87	0.87	0.85	0.78	8693	2.30	0.65	5.5	17	310	o.r.

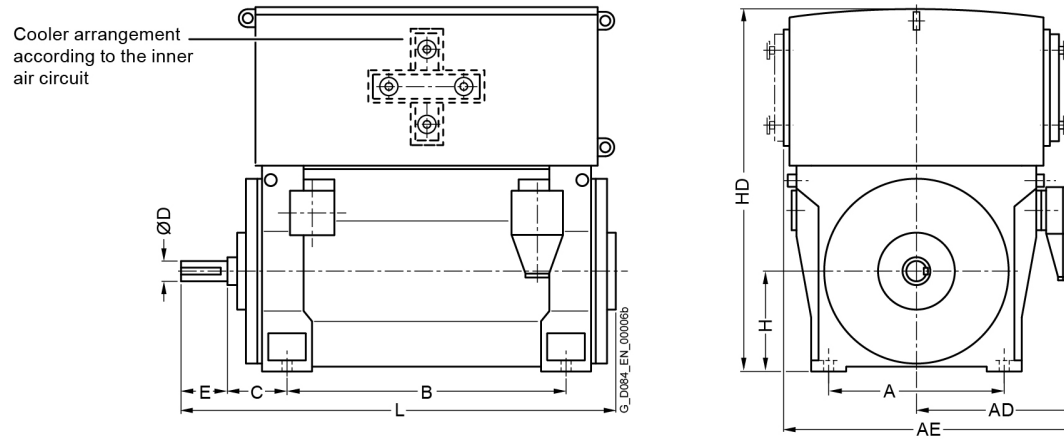
Innomotics HV M - 1SL IC81W 11000 V / 50 Hz B3 (IM 1001)																		
Rated power IEC	Article No.	Speed	Rated current I_R	Efficiency				Power factor				Torque T_R	Breakdown torque T_B/ T_R	Locked rotor torque T_{LR}/ T_R	Locked rotor current I_{LR}/ I_R	Inertia		
				5/4 load	4/4 load	3/4 load	2/4 load	5/4 load	4/4 load	3/4 load	2/4 load					motor	external	Startup max T/TR
kW		rpm	A	%	%	%	%	cos φ	cos φ	cos φ	cos φ	Nm	[-]	[-]	[-]	kgm ²	kgm ²	[-]
1430	1SL7 454-4NA90-0A.0	1485	89	95.0	95.8	96.1	96.1	0.88	0.88	0.84	0.76	9196	2.60	0.80	6.0	19	315	o.r.
1480	1SL7 454-4NA90-0C.0	1486	92	95.2	95.9	96.3	96.3	0.88	0.88	0.86	0.79	9511	2.35	0.55	5.3	25	300	o.r.
1650	1SL7 457-4NA90-0A.0	1486	102	95.5	96.1	96.4	96.3	0.88	0.88	0.84	0.76	10603	2.85	0.90	6.5	22	430	o.r.
1750	1SL7 457-4NA90-0C.0	1488	108	95.6	96.3	96.5	96.5	0.88	0.89	0.86	0.80	11231	2.55	0.60	5.8	30	380	o.r.
1830	1SL7 458-4NA90-0A.0	1486	114	95.6	96.2	96.5	96.3	0.88	0.88	0.83	0.74	11760	2.95	0.95	6.5	24	450	o.r.
1900	1SL7 458-4NA90-0C.0	1489	116	95.8	96.4	96.6	96.5	0.88	0.89	0.85	0.78	12185	2.70	0.65	6.0	32	430	o.r.
2100	1SL7 503-4NA90-0A.0	1486	128	95.7	96.4	96.9	97.0	0.88	0.90	0.88	0.85	13495	2.30	0.80	5.2	37	450	o.r.
2150	1SL7 503-4NA90-0C.0	1487	132	95.8	96.5	97.0	97.0	0.88	0.89	0.89	0.86	13807	2.25	0.60	4.7	45	565	o.r.
2450	1SL7 504-4NA90-0A.0	1488	152	96.1	96.6	96.9	96.8	0.88	0.88	0.85	0.77	15723	2.70	0.95	6.0	40	605	o.r.
2450	1SL7 504-4NA90-0C.0	1489	152	96.2	96.7	97.0	96.7	0.86	0.87	0.84	0.77	15712	2.40	0.55	4.9	49	695	o.r.
2600	1SL7 507-4NA90-0A.0	1485	156	95.9	96.6	97.1	97.2	0.89	0.90	0.89	0.87	16719	2.25	0.80	5.2	46	505	o.r.
2630	1SL7 507-4NA90-0C.0	1488	158	96.1	96.8	97.2	97.2	0.88	0.90	0.90	0.87	16878	2.30	0.60	4.8	56	770	o.r.
2850	1SL7 508-4NA90-0A.0	1487	172	96.2	96.7	97.2	97.2	0.89	0.90	0.89	0.85	18302	2.50	0.90	5.7	50	615	o.r.
2850	1SL7 508-4NA90-0C.0	1489	172	96.3	96.9	97.2	97.2	0.89	0.90	0.89	0.86	18278	2.40	0.65	5.2	62	740	o.r.
3180	1SL7 562-4NA90-0C.0	1496	196	96.2	96.7	97.2	97.2	0.86	0.88	0.87	0.84	20299	2.00	0.60	4.8	74	815	o.r.
3500	1SL7 563-4NA90-0C.0	1489	216	96.2	96.8	97.2	97.3	0.86	0.88	0.88	0.85	22446	2.00	0.60	4.9	80	840	o.r.
3900	1SL7 564-4NA90-0C.0	1490	237	96.4	96.9	97.4	97.4	0.87	0.89	0.89	0.87	24995	2.10	0.60	5.0	90	935	o.r.
4400	1SL7 566-4NA90-0C.0	1489	268	96.5	97.0	97.5	97.6	0.88	0.89	0.90	0.88	28218	2.05	0.60	4.9	100	1020	o.r.
4800	1SL7 567-4NA90-0C.0	1490	288	96.6	97.1	97.6	97.6	0.88	0.90	0.90	0.88	30763	2.10	0.65	5.1	110	1115	o.r.
5200	1SL7 568-4NA90-0C.0	1491	312	96.8	97.3	97.6	97.7	0.89	0.90	0.90	0.88	33304	2.25	0.70	5.5	119	1185	o.r.
5900	1SL8 633-4NA90-0C.0	1490	360	96.8	97.3	97.5	97.4	0.87	0.89	0.88	0.85	37813	2.15	0.50	5.2	151	740	o.r.
6400	1SL8 634-4NA90-0C.0	1491	390	96.8	97.3	97.5	97.3	0.88	0.89	0.88	0.85	40990	2.25	0.50	5.5	166	860	o.r.
7200	1SL8 637-4NA90-0C.0	1491	430	97.0	97.4	97.6	97.5	0.88	0.90	0.89	0.85	46113	2.35	0.60	5.6	182	860	o.r.
8200	1SL8 638-4NA90-0C.0	1491	495	97.1	97.5	97.7	97.5	0.88	0.89	0.88	0.85	52518	2.35	0.60	5.6	198	900	o.r.
8600	1SL8 712-4NA90-0C.0	1491	520	97.0	97.4	97.6	97.4	0.88	0.89	0.88	0.85	55080	2.35	0.50	5.6	259	870	o.r.
9300	1SL8 713-4NA90-0C.0	1492	560	97.1	97.5	97.7	97.5	0.89	0.90	0.89	0.86	59523	2.40	0.50	5.7	284	960	o.r.
10000	1SL8 714-4NA90-0C.0	1492	600	97.2	97.6	97.7	97.6	0.89	0.90	0.89	0.85	64003	2.55	0.55	6.0	312	1080	o.r.
11500	1SL8 717-4NA90-0C.0	1492	690	97.3	97.7	97.8	97.6	0.90	0.90	0.89	0.85	73604	2.60	0.55	6.0	346	1100	o.r.
11900	1SL8 718-4NA90-0C.0	1493	710	97.4	97.7	97.8	97.6	0.89	0.90	0.89	0.85	76113	2.60	0.55	6.0	364	1240	o.r.
6-pole: n_{sync} = 1000 rpm at 50 Hz																		
930	1SL7 452-6NA90-0A.0	990	62	94.1	95.1	95.5	95.6	0.83	0.83	0.79	0.68	8971	2.35	0.85	5.5	20	325	o.r.
1050	1SL7 453-6NA90-0A.0	991	70	94.4	95.2	95.6	95.5	0.83	0.83	0.76	0.64	10118	2.50	0.85	5.5	22	410	o.r.
1100	1SL7 453-6NA90-0C.0	990	71	94.3	95.2	95.7	95.8	0.84	0.85	0.81	0.73	10610	2.35	0.70	5.5	30	510	o.r.
1160	1SL7 454-6NA90-0A.0	991	77	94.6	95.4	95.8	95.7	0.84	0.83	0.77	0.66	11178	2.50	0.85	5.5	24	465	o.r.
1200	1SL7 454-6NA90-0C.0	990	78	94.5	95.4	95.9	96.0	0.85	0.85	0.82	0.74	11575	2.35	0.70	5.4	33	600	o.r.
1290	1SL7 457-6NA90-0A.0	991	84	94.8	95.6	96.0	96.0	0.84	0.84	0.80	0.70	12430	2.50	0.85	5.5	28	535	o.r.
1300	1SL7 457-6NA90-0C.0	990	83	94.8	95.6	96.1	96.2	0.86	0.86	0.83	0.76	12539	2.40	0.70	5.5	36	745	o.r.

Innomotics HV M - 1SL, IC81W 11000 V / 50 Hz B3 (IM 1001)																		
Rated power IEC	Article No.	Speed	Rated current I_R	Efficiency				Power factor				Torque T_R	Breakdown torque T_B/ T_R	Locked rotor torque T_{LR}/ T_R	Locked rotor current I_{LR}/ I_R	Inertia		
				5/4 load	4/4 load	3/4 load	2/4 load	5/4 load	4/4 load	3/4 load	2/4 load					motor	external	Startup max T/TR
kW		rpm	A	%	%	%	%	cos φ	cos φ	cos φ	cos φ	Nm	[-]	[-]	[-]	kgm ²	kgm ²	[-]
1400	1SL7 458-6NA90-0A.0	991	89	95.0	95.8	96.2	96.2	0.85	0.86	0.81	0.72	13490	2.50	0.90	5.7	31	610	o.r.
1420	1SL7 458-6NA90-0C.0	991	89	95.0	95.8	96.2	96.3	0.86	0.87	0.84	0.77	13683	2.45	0.70	5.5	41	805	o.r.
1650	1SL7 502-6NA90-0C.0	992	106	95.4	96.2	96.6	96.6	0.84	0.85	0.83	0.76	15883	2.25	0.70	4.6	54	930	o.r.
1550	1SL7 502-6NA90-0A.0	991	99	95.1	95.9	96.4	96.5	0.85	0.86	0.83	0.75	14936	2.20	0.90	4.7	42	630	o.r.
1850	1SL7 503-6NA90-0C.0	992	118	95.6	96.3	96.7	96.7	0.84	0.86	0.83	0.76	17809	2.30	0.75	4.7	60	1100	o.r.
1700	1SL7 503-6NA90-0A.0	991	108	95.2	96.0	96.5	96.7	0.85	0.86	0.84	0.77	16381	2.25	0.90	4.8	46	730	o.r.
1850	1SL7 504-6NA90-0A.0	991	118	95.5	96.2	96.6	96.7	0.85	0.86	0.83	0.75	17827	2.35	0.95	5.0	51	850	o.r.
2000	1SL7 504-6NA90-0C.0	992	126	95.8	96.4	96.8	96.8	0.85	0.86	0.83	0.76	19253	2.35	0.70	4.8	66	1300	o.r.
2240	1SL7 507-6NA90-0C.0	993	144	96.0	96.6	96.9	96.9	0.84	0.85	0.82	0.74	21541	2.40	0.70	4.8	74	1550	o.r.
2000	1SL7 507-6NA90-0A.0	992	126	95.7	96.4	96.7	96.8	0.86	0.86	0.83	0.74	19253	2.50	1.05	5.3	58	1000	o.r.
2240	1SL7 508-6NA90-0A.0	992	144	95.9	96.5	96.8	96.7	0.85	0.85	0.80	0.69	21563	2.70	1.10	5.7	63	1180	o.r.
2500	1SL7 561-6NA90-0C.0	992	160	95.7	96.3	96.6	96.5	0.84	0.85	0.84	0.78	24066	2.30	0.60	5.1	96	1060	o.r.
2900	1SL7 562-6NA90-0C.0	993	188	96.0	96.6	96.7	96.6	0.84	0.84	0.82	0.75	27888	2.40	0.65	5.3	105	1370	o.r.
3150	1SL7 563-6NA90-0C.0	993	200	96.1	96.6	96.8	96.7	0.84	0.85	0.83	0.75	30292	2.45	0.65	5.3	112	1280	o.r.
3550	1SL7 567-6NA90-0C.0	994	225	96.4	96.8	96.9	96.8	0.85	0.86	0.83	0.76	34105	2.60	0.70	5.7	134	1630	o.r.
3850	1SL7 568-6NA90-0C.0	994	240	96.5	97.0	97.1	96.9	0.86	0.86	0.84	0.78	36987	2.60	0.70	5.8	150	1890	o.r.
4450	1SL8 632-6NA90-0C.0	992	280	96.3	96.8	97.1	96.9	0.85	0.86	0.83	0.75	42837	2.30	0.60	5.2	193	2370	o.r.
4650	1SL8 633-6NA90-0C.0	992	295	96.4	96.9	97.2	96.9	0.85	0.86	0.83	0.75	44762	2.30	0.55	5.3	209	2660	o.r.
5200	1SL8 634-6NA90-0C.0	992	325	96.5	97.0	97.3	97.1	0.85	0.87	0.84	0.78	50057	2.20	0.55	5.1	227	2800	o.r.
5600	1SL8 637-6NA90-0C.0	992	350	96.5	97.0	97.3	97.2	0.85	0.87	0.85	0.78	53907	2.20	0.56	5.2	247	3110	o.r.
6100	1SL8 638-6NA90-0C.0	992	380	96.6	97.1	97.4	97.2	0.86	0.87	0.85	0.78	58720	2.25	0.55	5.2	265	3300	o.r.
6600	1SL8 712-6NA90-0C.0	993	410	96.8	97.3	97.5	97.4	0.85	0.87	0.85	0.79	63470	2.20	0.55	5.2	331	2710	o.r.
7250	1SL8 713-6NA90-0C.0	994	450	97.0	97.4	97.6	97.5	0.86	0.87	0.85	0.79	69650	2.35	0.60	5.5	374	3180	o.r.
8250	1SL8 714-6NA90-0C.0	994	500	97.1	97.5	97.7	97.5	0.87	0.88	0.85	0.79	79257	2.40	0.60	5.5	424	3530	o.r.
9350	1SL8 717-6NA90-0C.0	994	570	97.1	97.6	97.8	97.6	0.87	0.88	0.86	0.80	89825	2.35	0.55	5.5	478	3930	o.r.
10400	1SL8 718-6NA90-0C.0	995	640	97.3	97.6	97.8	97.6	0.86	0.87	0.84	0.76	99812	2.45	0.55	5.5	522	4410	o.r.
8-pole: n_{sync} = 750 rpm at 50 Hz																		
580	1SL7 451-8NA90-0A.0	743	43	93.5	94.4	94.5	94.0	0.78	0.75	0.66	0.49	7454	2.50	0.80	5.5	23	500	o.r.
620	1SL7 451-8NA90-0C.0	743	44	93.5	94.5	94.8	94.4	0.81	0.79	0.71	0.56	7968	2.70	0.75	5.5	30	560	o.r.
680	1SL7 452-8NA90-0A.0	743	48	93.5	94.6	94.9	94.7	0.80	0.78	0.71	0.56	8740	2.50	0.80	5.5	25	510	o.r.
700	1SL7 452-8NA90-0C.0	743	48	93.6	94.7	95.1	94.9	0.82	0.80	0.74	0.60	8997	2.60	0.70	5.5	32	630	o.r.
800	1SL7 453-8NA90-0A.0	743	57	94.0	94.9	95.2	94.9	0.79	0.78	0.69	0.53	10282	2.50	0.85	5.5	28	730	o.r.
800	1SL7 453-8NA90-0C.0	743	55	94.2	95.1	95.4	95.1	0.81	0.80	0.72	0.57	10282	2.70	0.75	5.5	36	1000	o.r.
860	1SL7 454-8NA90-0A.0	743	60	94.2	95.1	95.4	95.2	0.81	0.79	0.72	0.57	11053	2.45	0.85	5.5	31	800	o.r.
880	1SL7 454-8NA90-0C.0	743	60	94.3	95.2	95.5	95.4	0.82	0.81	0.75	0.61	11310	2.70	0.75	5.5	40	1000	o.r.
940	1SL7 457-8NA90-0A.0	743	65	94.3	95.2	95.6	95.5	0.82	0.80	0.74	0.61	12081	2.40	0.85	5.5	35	920	o.r.
950	1SL7 457-8NA90-0C.0	743	64	94.4	95.3	95.7	95.5	0.83	0.82	0.76	0.63	12210	2.70	0.75	5.5	45	1200	o.r.

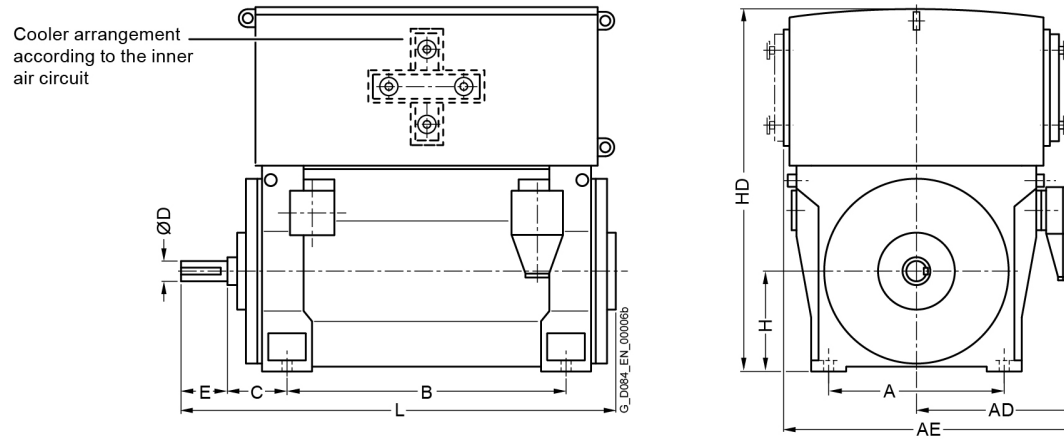
Innomotics HV M - 1SL, IC81W 11000 V / 50 Hz B3 (IM 1001)																		
Rated power IEC	Article No.	Speed	Rated current I_R	Efficiency				Power factor				Torque T_R	Breakdown torque T_B/ T_R	Locked torque T_{LR}/ T_R	Locked rotor current I_{LR}/ I_R	Inertia		
				5/4 load	4/4 load	3/4 load	2/4 load	5/4 load	4/4 load	3/4 load	2/4 load					motor	external	Startup max T/TR
kW		rpm	A	%	%	%	%	$\cos \varphi$	$\cos \varphi$	$\cos \varphi$	$\cos \varphi$	Nm	[-]	[-]	[-]	kgm ²	kgm ²	[-]
1020	1SL7 458-8NA90-0A.0	743	69	94.4	95.4	95.7	95.6	0.82	0.81	0.75	0.61	13109	2.40	0.85	5.5	39	1050	o.r.
1030	1SL7 458-8NA90-0C.0	743	69	94.6	95.5	95.8	95.6	0.83	0.82	0.76	0.64	13238	2.75	0.80	5.6	50	1350	o.r.
1120	1SL7 502-8NA90-0A.0	744	77	95.1	95.7	96.2	96.2	0.81	0.80	0.78	0.69	14375	2.25	0.80	4.5	46	1370	o.r.
1200	1SL7 502-8NA90-0C.0	743	81	95.0	95.7	96.2	96.2	0.82	0.81	0.78	0.70	15423	2.25	0.60	4.2	59	2010	o.r.
1220	1SL7 503-8NA90-0A.0	743	81	95.1	95.8	96.3	96.4	0.82	0.83	0.79	0.71	15680	2.15	0.75	4.4	51	1440	o.r.
1360	1SL7 503-8NA90-0C.0	743	90	95.0	95.8	96.3	96.4	0.82	0.83	0.80	0.72	17479	2.15	0.55	4.0	65	1910	o.r.
1480	1SL7 504-8NA90-0A.0	743	99	95.2	96.0	96.4	96.5	0.82	0.82	0.79	0.70	19021	2.15	0.80	4.3	56	1760	o.r.
1500	1SL7 504-8NA90-0C.0	743	99	95.2	96.0	96.5	96.6	0.82	0.83	0.80	0.73	19279	2.15	0.55	4.1	72	2190	o.r.
1640	1SL7 507-8NA90-0A.0	743	108	95.4	96.1	96.5	96.6	0.82	0.83	0.79	0.71	21078	2.15	0.80	4.4	63	2030	o.r.
1700	1SL7 507-8NA90-0C.0	743	110	95.3	96.1	96.6	96.7	0.82	0.84	0.81	0.73	21849	2.15	0.60	4.1	80	2360	o.r.
1780	1SL7 508-8NA90-0A.0	744	118	95.6	96.2	96.5	96.5	0.82	0.82	0.77	0.68	22846	2.30	0.90	4.7	69	2270	o.r.
1820	1SL7 508-8NA90-0C.0	743	120	95.6	96.2	96.6	96.6	0.83	0.83	0.80	0.71	23391	2.35	0.65	4.4	88	2710	o.r.
2000	1SL7 563-8NA90-0C.0	744	134	95.5	96.0	96.5	96.3	0.82	0.82	0.80	0.73	25670	2.10	0.60	4.6	124	2685	o.r.
2240	1SL7 564-8NA90-0C.0	744	150	95.6	96.1	96.5	96.3	0.82	0.82	0.80	0.72	28751	2.20	0.60	4.8	137	2725	o.r.
2500	1SL7 567-8NA90-0C.0	744	164	95.8	96.3	96.8	96.6	0.82	0.83	0.81	0.75	32088	2.05	0.60	4.5	150	3865	o.r.
2800	1SL7 568-8NA90-0C.0	744	184	95.9	96.4	96.9	96.7	0.82	0.83	0.81	0.75	35938	2.05	0.55	4.5	165	5105	o.r.
3100	1SL8 633-8NA90-0C.0	743	200	95.4	96.1	96.3	96.1	0.84	0.85	0.81	0.74	39842	2.00	0.45	4.5	216	2690	o.r.
3500	1SL8 634-8NA90-0C.0	744	225	95.6	96.2	96.4	96.1	0.85	0.85	0.81	0.73	44923	2.10	0.50	4.5	251	2830	o.r.
4000	1SL8 637-8NA90-0C.0	744	255	96.0	96.5	96.5	96.2	0.85	0.85	0.81	0.72	51340	2.30	0.50	5.0	292	5000	o.r.
4250	1SL8 638-8NA90-0C.0	744	270	96.2	96.6	96.7	96.3	0.86	0.86	0.81	0.72	54549	2.40	0.55	5.2	326	6200	o.r.
4300	1SL8 712-8NA90-0C.0	746	275	96.2	96.6	96.6	96.2	0.86	0.85	0.80	0.69	55043	2.60	0.60	5.5	422	2890	o.r.
4850	1SL8 713-8NA90-0C.0	746	310	96.4	96.7	96.7	96.2	0.86	0.85	0.79	0.68	62083	2.55	0.60	5.4	471	3510	o.r.
5550	1SL8 714-8NA90-0C.0	746	355	96.5	96.8	96.8	96.3	0.86	0.85	0.79	0.68	71044	2.60	0.60	5.5	538	3900	o.r.
6500	1SL8 717-8NA90-0C.0	746	415	96.7	97.0	96.9	96.5	0.86	0.85	0.79	0.69	83204	2.60	0.50	5.5	615	5400	o.r.
6700	1SL8 718-8NA90-0C.0	746	430	96.8	97.1	96.9	96.4	0.85	0.84	0.78	0.67	85764	2.60	0.50	5.4	674	6570	o.r.



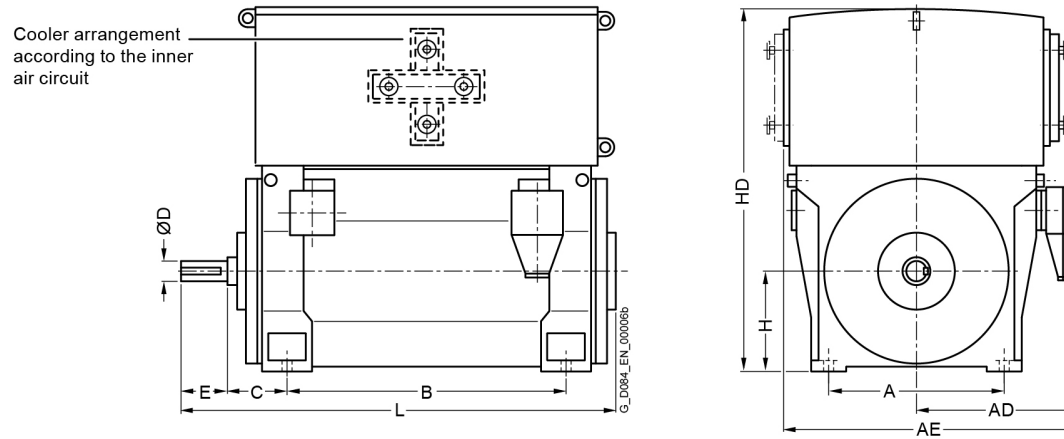
Motor type	Weight	Dimensions											
		A	AD	AE	B	C	D	E	H	HD	L	ML	
	kg	mm	mm	mm	mm	mm	mm	mm	mm	mm	mm	mm	mm
Innomotics HV M - 1SL. IC81W 11000 V / 50 Hz B3 (IM 1001) - Dimension drawings													
2-pole													
1SL7 452-2NA90-0AA0	4100	850	1140	1760	1180	250	95	130	450	1650	1840	o.r.	
1SL7 452-2NA90-0AC0	3950	850	1140	1760	1180	475	95	130	450	1650	2270	o.r.	
1SL7 453-2NA90-0AA0	4200	850	1140	1760	1180	250	95	130	450	1650	1840	o.r.	
1SL7 453-2NA90-0AC0	4100	850	1140	1760	1180	475	95	130	450	1650	2270	o.r.	
1SL7 453-2NA90-0CA0	4350	850	1140	1760	1180	250	95	130	450	1650	1840	o.r.	
1SL7 453-2NA90-0CC0	4250	850	1140	1760	1180	475	95	130	450	1650	2270	o.r.	
1SL7 454-2NA90-0AA0	4300	850	1140	1760	1180	250	95	130	450	1650	1840	o.r.	
1SL7 454-2NA90-0AC0	4200	850	1140	1760	1180	475	95	130	450	1650	2270	o.r.	
1SL7 454-2NA90-0CA0	4450	850	1140	1760	1180	250	95	130	450	1650	1840	o.r.	
1SL7 454-2NA90-0CC0	4350	850	1140	1760	1180	475	95	130	450	1650	2270	o.r.	
1SL7 457-2NA90-0AA0	4700	850	1140	1760	1400	250	95	130	450	1650	2050	o.r.	
1SL7 457-2NA90-0AC0	4600	850	1140	1760	1400	475	95	130	450	1650	2480	o.r.	
1SL7 457-2NA90-0CA0	4850	850	1140	1760	1400	250	95	130	450	1650	2050	o.r.	
1SL7 457-2NA90-0CC0	4750	850	1140	1760	1400	475	95	130	450	1650	2480	o.r.	
1SL7 458-2NA90-0AA0	4900	850	1140	1760	1400	250	95	130	450	1650	2050	o.r.	
1SL7 458-2NA90-0AC0	4800	850	1140	1760	1400	475	95	130	450	1650	2480	o.r.	
1SL7 458-2NA90-0CA0	5050	850	1140	1760	1400	250	95	130	450	1650	2050	o.r.	
1SL7 458-2NA90-0CC0	4950	850	1140	1760	1400	475	95	130	450	1650	2480	o.r.	
1SL7 503-2NA90-0CA0	5850	950	1220	1920	1320	250	110	165	500	1790	1960	o.r.	
1SL7 503-2NA90-0CC0	5750	950	1220	1920	1320	530	120	165	500	1790	2510	o.r.	
1SL7 503-2NA90-0AA0	5700	950	1220	1920	1320	250	110	165	500	1790	1960	o.r.	
1SL7 503-2NA90-0AC0	5650	950	1220	1920	1320	530	120	165	500	1790	2510	o.r.	



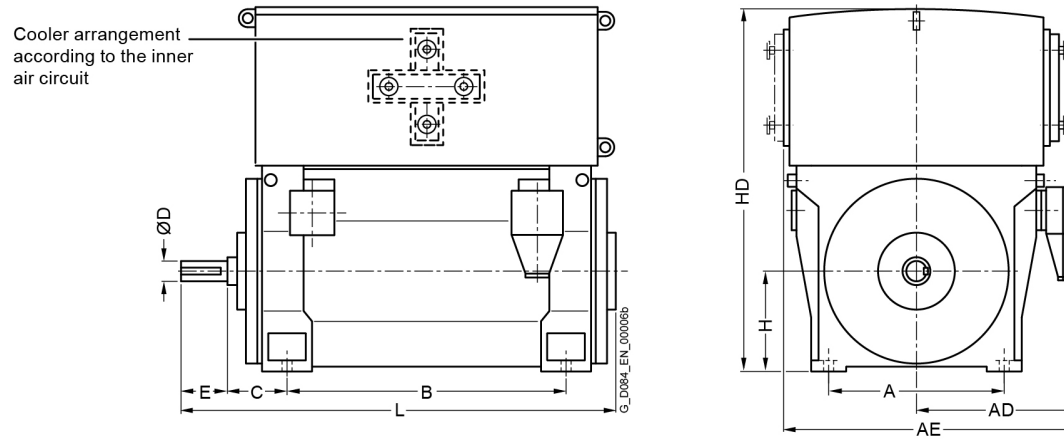
Motor type	Weight	Dimensions											
		A	AD	AE	B	C	D	E	H	HD	L	ML	
	kg	mm	mm	mm	mm	mm	mm	mm	mm	mm	mm	mm	mm
Innomotics HV M - 1SL. IC81W 11000 V / 50 Hz B3 (IM 1001) - Dimension drawings													
1SL7 504-2NA90-0CA0	5950	950	1220	1920	1320	250	110	165	500	1790	1960	o.r.	
1SL7 504-2NA90-0CC0	5900	950	1220	1920	1320	530	120	165	500	1790	2510	o.r.	
1SL7 504-2NA90-0AA0	5800	950	1220	1920	1320	250	110	165	500	1790	1960	o.r.	
1SL7 504-2NA90-0AC0	5750	950	1220	1920	1320	530	120	165	500	1790	2510	o.r.	
1SL7 507-2NA90-0CA0	6600	950	1220	1920	1500	250	110	165	500	1790	2170	o.r.	
1SL7 507-2NA90-0CC0	6550	950	1220	1920	1500	530	120	165	500	1790	2720	o.r.	
1SL7 507-2NA90-0AA0	6450	950	1220	1920	1500	250	110	165	500	1790	2170	o.r.	
1SL7 507-2NA90-0AC0	6350	950	1220	1920	1500	530	120	165	500	1790	2720	o.r.	
1SL7 508-2NA90-0CA0	6950	950	1220	1920	1500	250	110	165	500	1790	2170	o.r.	
1SL7 508-2NA90-0CC0	6900	950	1220	1920	1500	530	120	165	500	1790	2720	o.r.	
1SL7 508-2NA90-0AA0	6750	950	1220	1920	1500	250	110	165	500	1790	2170	o.r.	
1SL7 508-2NA90-0AC0	6700	950	1220	1920	1500	530	120	165	500	1790	2720	o.r.	
1SL7 562-2NA90-0CC0	7550	1060	1290	2060	1400	600	150	200	560	1970	2810	o.r.	
1SL7 563-2NA90-0CC0	7800	1060	1290	2060	1400	600	150	200	560	1970	2810	o.r.	
1SL7 564-2NA90-0CC0	8050	1060	1290	2060	1400	600	150	200	560	1970	2810	o.r.	
1SL7 567-2NA90-0CC0	8850	1060	1290	2060	1600	600	150	200	560	1970	3040	o.r.	
1SL7 568-2NA90-0CC0	9400	1060	1290	2060	1600	600	150	200	560	1970	3040	o.r.	
1SL8 632-2NA90-0CJ0	9150	1320	1520	2520	1600	560	160	240	630	2250	2890	o.r.	
1SL8 633-2NA90-0CJ0	9650	1320	1520	2520	1600	560	160	240	630	2250	2890	o.r.	
1SL8 634-2NA90-0CJ0	10050	1320	1520	2520	1600	560	160	240	630	2250	2890	o.r.	
1SL8 637-2NA90-0CJ0	10950	1320	1520	2520	1800	560	160	240	630	2250	3090	o.r.	
1SL8 638-2NA90-0CJ0	11550	1320	1520	2520	1800	560	160	240	630	2250	3090	o.r.	
1SL8 712-2NA90-0CJ0	13000	1500	1620	2720	2000	560	180	240	710	2550	3280	o.r.	



Motor type	Weight	Dimensions										
		A	AD	AE	B	C	D	E	H	HD	L	ML
	kg	mm	mm	mm	mm	mm	mm	mm	mm	mm	mm	mm
Innomotics HV M - 1SL. IC81W 11000 V / 50 Hz B3 (IM 1001) - Dimension drawings												
1SL8 713-2NA90-0CJ0	13450	1500	1620	2720	2000	560	180	240	710	2550	3280	o.r.
1SL8 714-2NA90-0CJ0	14100	1500	1620	2720	2000	560	180	240	710	2550	3280	o.r.
1SL8 716-2NA90-0CJ0	15200	1500	1620	2720	2240	560	180	240	710	2460	3520	o.r.
1SL8 717-2NA90-0CJ0	16000	1500	1620	2720	2240	560	180	240	710	2460	3520	o.r.
1SL8 718-2NA90-0CJ0	17250	1500	1620	2720	2240	560	180	240	710	2460	3520	o.r.
4-pole												
1SL7 453-4NA90-0CA0	4400	850	1140	1760	1180	250	130	200	450	1740	1920	o.r.
1SL7 453-4NA90-0CC0	4450	850	1140	1760	1180	500	130	200	450	1740	2390	o.r.
1SL7 453-4NA90-0AA0	4300	850	1140	1760	1180	250	130	200	450	1740	1920	o.r.
1SL7 453-4NA90-0AC0	4300	850	1140	1760	1180	500	130	200	450	1740	2390	o.r.
1SL7 454-4NA90-0AA0	4450	850	1140	1760	1180	250	130	200	450	1740	1920	o.r.
1SL7 454-4NA90-0AC0	4450	850	1140	1760	1180	500	130	200	450	1740	2390	o.r.
1SL7 454-4NA90-0CA0	4600	850	1140	1760	1180	250	130	200	450	1740	1920	o.r.
1SL7 454-4NA90-0CC0	4600	850	1140	1760	1180	500	130	200	450	1740	2390	o.r.
1SL7 457-4NA90-0AA0	5000	850	1140	1760	1400	250	130	200	450	1740	2130	o.r.
1SL7 457-4NA90-0AC0	5050	850	1140	1760	1400	500	130	200	450	1740	2600	o.r.
1SL7 457-4NA90-0CA0	5200	850	1140	1760	1400	250	130	200	450	1740	2130	o.r.
1SL7 457-4NA90-0CC0	5200	850	1140	1760	1400	500	130	200	450	1740	2600	o.r.
1SL7 458-4NA90-0AA0	5200	850	1140	1760	1400	250	130	200	450	1740	2130	o.r.
1SL7 458-4NA90-0AC0	5250	850	1140	1760	1400	500	130	200	450	1740	2600	o.r.
1SL7 458-4NA90-0CA0	5400	850	1140	1760	1400	250	130	200	450	1740	2130	o.r.
1SL7 458-4NA90-0CC0	5450	850	1140	1760	1400	500	130	200	450	1740	2600	o.r.
1SL7 503-4NA90-0AA0	6000	950	1220	1920	1320	315	160	240	500	1790	2180	o.r.

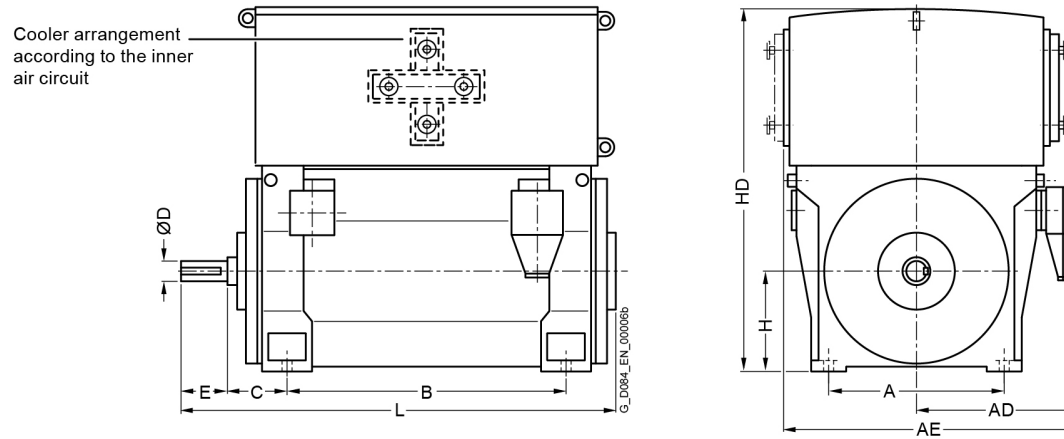


Motor type	Weight	Dimensions											
		A	AD	AE	B	C	D	E	H	HD	L	ML	
	kg	mm	mm	mm	mm	mm	mm	mm	mm	mm	mm	mm	mm
Innomotics HV M - 1SL. IC81W 11000 V / 50 Hz B3 (IM 1001) - Dimension drawings													
1SL7 503-4NA90-0AC0	6050	950	1220	1920	1320	560	170	240	500	1790	2620	o.r.	
1SL7 503-4NA90-0CA0	6150	950	1220	1920	1320	315	160	240	500	1790	2180	o.r.	
1SL7 503-4NA90-0CC0	6200	950	1220	1920	1320	560	170	240	500	1790	2620	o.r.	
1SL7 504-4NA90-0AA0	6250	950	1220	1920	1320	315	160	240	500	1790	2180	o.r.	
1SL7 504-4NA90-0AC0	6350	950	1220	1920	1320	560	170	240	500	1790	2620	o.r.	
1SL7 504-4NA90-0CA0	6400	950	1220	1920	1320	315	160	240	500	1790	2180	o.r.	
1SL7 504-4NA90-0CC0	6500	950	1220	1920	1320	560	170	240	500	1790	2620	o.r.	
1SL7 507-4NA90-0AA0	6900	950	1220	1920	1500	315	160	240	500	1790	2390	o.r.	
1SL7 507-4NA90-0AC0	7000	950	1220	1920	1500	560	170	240	500	1790	2830	o.r.	
1SL7 507-4NA90-0CA0	7050	950	1220	1920	1500	315	160	240	500	1790	2390	o.r.	
1SL7 507-4NA90-0CC0	7150	950	1220	1920	1500	560	170	240	500	1790	2830	o.r.	
1SL7 508-4NA90-0AA0	7200	950	1220	1920	1500	315	160	240	500	1790	2390	o.r.	
1SL7 508-4NA90-0AC0	7300	950	1220	1920	1500	560	170	240	500	1790	2830	o.r.	
1SL7 508-4NA90-0CA0	7400	950	1220	1920	1500	315	160	240	500	1790	2390	o.r.	
1SL7 508-4NA90-0CC0	7450	950	1220	1920	1500	560	170	240	500	1790	2830	o.r.	
1SL7 562-4NA90-0CA0	7650	1060	1290	2060	1400	335	190	280	560	1970	2390	o.r.	
1SL7 562-4NA90-0CC0	7750	1060	1290	2060	1400	600	190	280	560	1970	2850	o.r.	
1SL7 563-4NA90-0CA0	7900	1060	1290	2060	1400	335	190	280	560	1970	2390	o.r.	
1SL7 563-4NA90-0CC0	7950	1060	1290	2060	1400	600	190	280	560	1970	2850	o.r.	
1SL7 564-4NA90-0CA0	8300	1060	1290	2060	1400	335	190	280	560	1970	2390	o.r.	
1SL7 564-4NA90-0CC0	8400	1060	1290	2060	1400	600	190	280	560	1970	2850	o.r.	
1SL7 566-4NA90-0CA0	9150	1060	1290	2060	1600	335	190	280	560	1970	2620	o.r.	
1SL7 566-4NA90-0CC0	9200	1060	1290	2060	1600	600	190	280	560	1970	3080	o.r.	

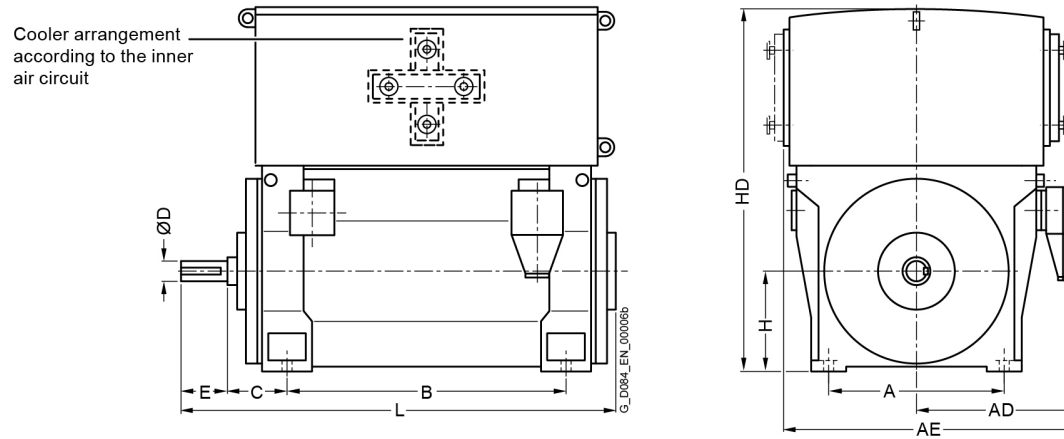


Motor type	Weight	Dimensions												
		A	AD	AE	B	C	D	E	H	HD	L	ML		
	kg	mm	mm	mm	mm	mm	mm	mm	mm	mm	mm	mm	mm	
Innomotics HV M - 1SL. IC81W 11000 V / 50 Hz B3 (IM 1001) - Dimension drawings														
1SL7 567-4NA90-0CA0	9550	1060	1290	2060	1600	335	190	280	560	1970	2620	o.r.		
1SL7 567-4NA90-0CC0	9650	1060	1290	2060	1600	600	190	280	560	1970	3080	o.r.		
1SL7 568-4NA90-0CA0	10000	1060	1290	2060	1600	335	190	280	560	1970	2620	o.r.		
1SL7 568-4NA90-0CC0	10050	1060	1290	2060	1600	600	190	280	560	1970	3080	o.r.		
1SL8 633-4NA90-0CG0	10400	1320	1520	2520	1600	375	200	280	630	2250	2610	o.r.		
1SL8 633-4NA90-0CJ0	10500	1320	1520	2520	1600	630	200	280	630	2250	3090	o.r.		
1SL8 634-4NA90-0CG0	10800	1320	1520	2520	1600	375	200	280	630	2250	2610	o.r.		
1SL8 634-4NA90-0CJ0	10900	1320	1520	2520	1600	630	200	280	630	2250	3090	o.r.		
1SL8 637-4NA90-0CG0	11650	1320	1520	2520	1800	375	200	280	630	2250	2810	o.r.		
1SL8 637-4NA90-0CJ0	11750	1320	1520	2520	1800	630	200	280	630	2250	3290	o.r.		
1SL8 638-4NA90-0CG0	12300	1320	1520	2520	1800	375	200	280	630	2250	2810	o.r.		
1SL8 638-4NA90-0CJ0	12400	1320	1520	2520	1800	630	200	280	630	2250	3290	o.r.		
1SL8 712-4NA90-0CG0	13950	1500	1620	2720	2000	375	220	280	710	2550	3010	o.r.		
1SL8 712-4NA90-0CJ0	14100	1500	1620	2720	2000	630	220	280	710	2550	3480	o.r.		
1SL8 713-4NA90-0CG0	14700	1500	1620	2720	2000	375	220	280	710	2550	3010	o.r.		
1SL8 713-4NA90-0CJ0	14800	1500	1620	2720	2000	630	220	280	710	2550	3480	o.r.		
1SL8 714-4NA90-0CG0	15400	1500	1620	2720	2000	375	220	280	710	2550	3010	o.r.		
1SL8 714-4NA90-0CJ0	15500	1500	1620	2720	2000	630	220	280	710	2550	3480	o.r.		
1SL8 717-4NA90-0CG0	16650	1500	1620	2720	2240	375	220	280	710	2460	3250	o.r.		
1SL8 717-4NA90-0CJ0	16800	1500	1620	2720	2240	630	220	280	710	2460	3720	o.r.		
1SL8 718-4NA90-0CG0	17200	1500	1620	2720	2240	375	220	280	710	2460	3250	o.r.		
1SL8 718-4NA90-0CJ0	17300	1500	1620	2720	2240	630	220	280	710	2460	3720	o.r.		

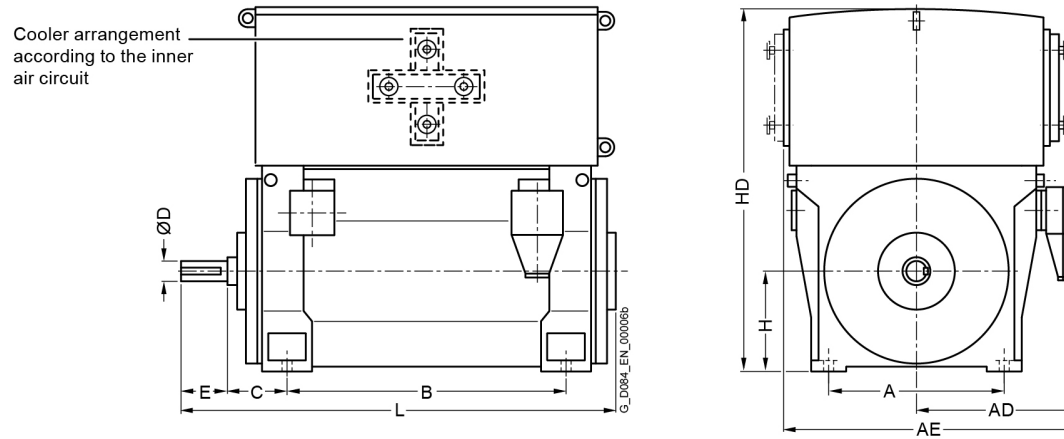
6-pole



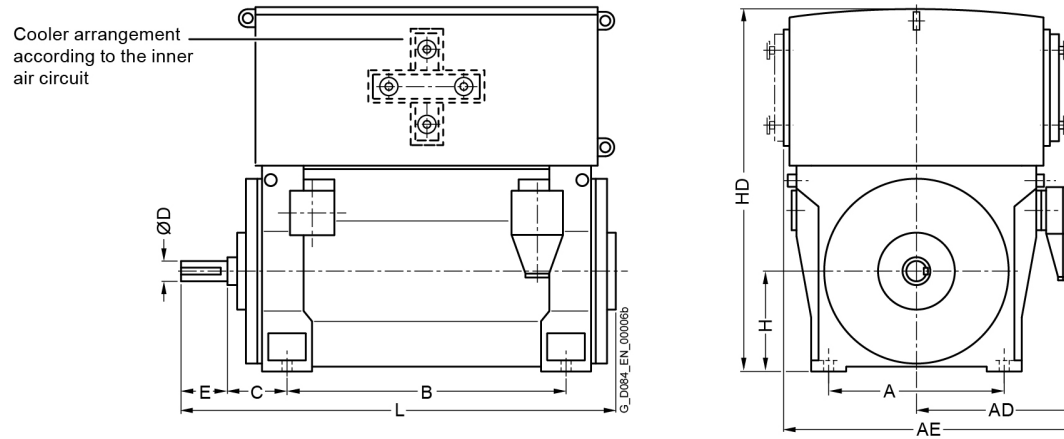
Motor type	Weight	Dimensions											
		A	AD	AE	B	C	D	E	H	HD	L	ML	
	kg	mm	mm	mm	mm	mm	mm	mm	mm	mm	mm	mm	mm
Innomotics HV M - 1SL. IC81W 11000 V / 50 Hz B3 (IM 1001) - Dimension drawings													
1SL7 452-6NA90-0AA0	4150	850	1140	1760	1180	250	130	200	450	1740	1920	o.r.	
1SL7 452-6NA90-0AC0	4200	850	1140	1760	1180	500	130	200	450	1740	2390	o.r.	
1SL7 453-6NA90-0AA0	4300	850	1140	1760	1180	250	130	200	450	1740	1920	o.r.	
1SL7 453-6NA90-0AC0	4350	850	1140	1760	1180	500	130	200	450	1740	2390	o.r.	
1SL7 453-6NA90-0CA0	4450	850	1140	1760	1180	250	130	200	450	1740	1920	o.r.	
1SL7 453-6NA90-0CC0	4500	850	1140	1760	1180	500	130	200	450	1740	2390	o.r.	
1SL7 454-6NA90-0AA0	4450	850	1140	1760	1180	250	130	200	450	1740	1920	o.r.	
1SL7 454-6NA90-0AC0	4500	850	1140	1760	1180	500	130	200	450	1740	2390	o.r.	
1SL7 454-6NA90-0CA0	4650	850	1140	1760	1180	250	130	200	450	1740	1920	o.r.	
1SL7 454-6NA90-0CC0	4700	850	1140	1760	1180	500	130	200	450	1740	2390	o.r.	
1SL7 457-6NA90-0AA0	4950	850	1140	1760	1400	250	130	200	450	1740	2130	o.r.	
1SL7 457-6NA90-0AC0	4950	850	1140	1760	1400	500	130	200	450	1740	2600	o.r.	
1SL7 457-6NA90-0CA0	5100	850	1140	1760	1400	250	130	200	450	1740	2130	o.r.	
1SL7 457-6NA90-0CC0	5150	850	1140	1760	1400	500	130	200	450	1740	2600	o.r.	
1SL7 458-6NA90-0AA0	5200	850	1140	1760	1400	250	130	200	450	1740	2130	o.r.	
1SL7 458-6NA90-0AC0	5250	850	1140	1760	1400	500	130	200	450	1740	2600	o.r.	
1SL7 458-6NA90-0CA0	5400	850	1140	1760	1400	250	130	200	450	1740	2130	o.r.	
1SL7 458-6NA90-0CC0	5450	850	1140	1760	1400	500	130	200	450	1740	2600	o.r.	
1SL7 502-6NA90-0CA0	6150	950	1220	1920	1320	315	160	240	500	1910	2180	o.r.	
1SL7 502-6NA90-0CC0	6200	950	1220	1920	1320	560	170	240	500	1910	2620	o.r.	
1SL7 502-6NA90-0AA0	5950	950	1220	1920	1320	315	160	240	500	1910	2180	o.r.	
1SL7 502-6NA90-0AC0	6000	950	1220	1920	1320	560	170	240	500	1910	2620	o.r.	
1SL7 503-6NA90-0CA0	6400	950	1220	1920	1320	315	160	240	500	1910	2180	o.r.	



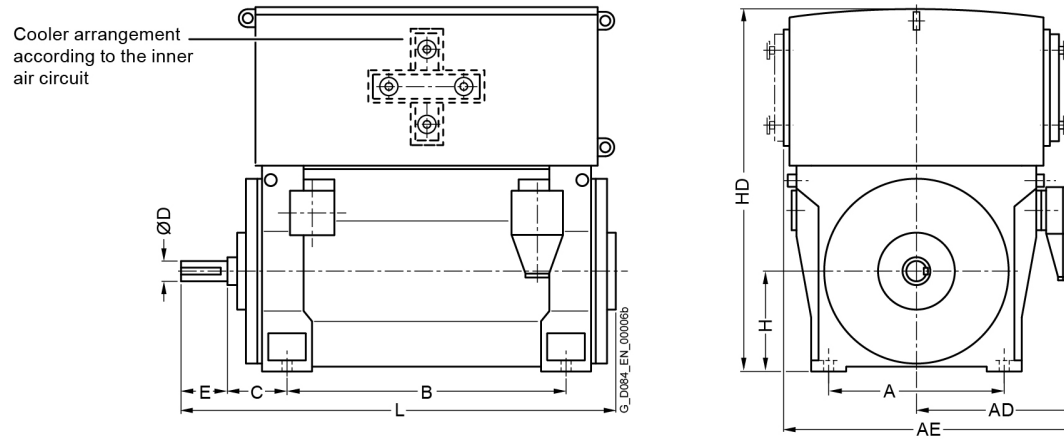
Motor type	Weight	Dimensions											
		A	AD	AE	B	C	D	E	H	HD	L	ML	
	kg	mm	mm	mm	mm	mm	mm	mm	mm	mm	mm	mm	mm
Innomotics HV M - 1SL. IC81W 11000 V / 50 Hz B3 (IM 1001) - Dimension drawings													
1SL7 503-6NA90-0CC0	6450	950	1220	1920	1320	560	170	240	500	1910	2620	o.r.	
1SL7 503-6NA90-0AA0	6200	950	1220	1920	1320	315	160	240	500	1910	2180	o.r.	
1SL7 503-6NA90-0AC0	6250	950	1220	1920	1320	560	170	240	500	1910	2620	o.r.	
1SL7 504-6NA90-0AA0	6450	950	1220	1920	1320	315	160	240	500	1910	2180	o.r.	
1SL7 504-6NA90-0AC0	6500	950	1220	1920	1320	560	170	240	500	1910	2620	o.r.	
1SL7 504-6NA90-0CA0	6700	950	1220	1920	1320	315	160	240	500	1910	2180	o.r.	
1SL7 504-6NA90-0CC0	6750	950	1220	1920	1320	560	170	240	500	1910	2620	o.r.	
1SL7 507-6NA90-0CA0	7400	950	1220	1920	1500	315	160	240	500	1910	2390	o.r.	
1SL7 507-6NA90-0CC0	7450	950	1220	1920	1500	560	170	240	500	1910	2830	o.r.	
1SL7 507-6NA90-0AA0	7100	950	1220	1920	1500	315	160	240	500	1910	2390	o.r.	
1SL7 507-6NA90-0AC0	7150	950	1220	1920	1500	560	170	240	500	1910	2830	o.r.	
1SL7 508-6NA90-0AA0	7400	950	1220	1920	1500	315	160	240	500	1910	2390	o.r.	
1SL7 508-6NA90-0AC0	7450	950	1220	1920	1500	560	170	240	500	1910	2830	o.r.	
1SL7 561-6NA90-0CA0	7900	1060	1290	2060	1400	335	190	280	560	2110	2390	o.r.	
1SL7 561-6NA90-0CC0	7950	1060	1290	2060	1400	600	190	280	560	2110	2850	o.r.	
1SL7 562-6NA90-0CA0	8250	1060	1290	2060	1400	335	190	280	560	2110	2390	o.r.	
1SL7 562-6NA90-0CC0	8300	1060	1290	2060	1400	600	190	280	560	2110	2850	o.r.	
1SL7 563-6NA90-0CA0	8500	1060	1290	2060	1400	335	190	280	560	2110	2390	o.r.	
1SL7 563-6NA90-0CC0	8600	1060	1290	2060	1400	600	190	280	560	2110	2850	o.r.	
1SL7 567-6NA90-0CA0	9650	1060	1290	2060	1600	335	190	280	560	2110	2620	o.r.	
1SL7 567-6NA90-0CC0	9750	1060	1290	2060	1600	600	190	280	560	2110	3080	o.r.	
1SL7 568-6NA90-0CA0	10300	1060	1290	2060	1600	335	190	280	560	2110	2620	o.r.	
1SL7 568-6NA90-0CC0	10350	1060	1290	2060	1600	600	190	280	560	2110	3080	o.r.	



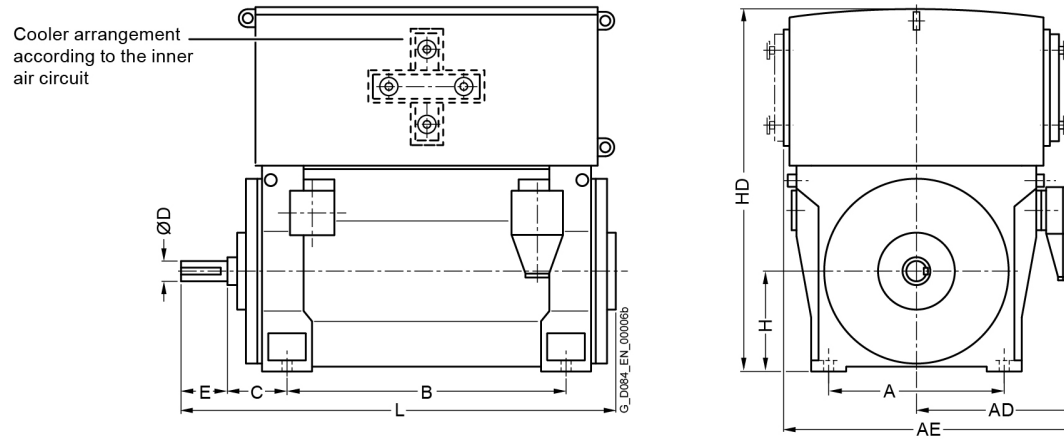
Motor type	Weight	Dimensions												
		A	AD	AE	B	C	D	E	H	HD	L	ML		
	kg	mm	mm	mm	mm	mm	mm	mm	mm	mm	mm	mm	mm	
Innomotics HV M - 1SL. IC81W 11000 V / 50 Hz B3 (IM 1001) - Dimension drawings														
1SL8 632-6NA90-0CG0	10300	1320	1520	2520	1600	375	200	280	630	2250	2610	o.r.		
1SL8 632-6NA90-0CJ0	10400	1320	1520	2520	1600	630	200	280	630	2250	3090	o.r.		
1SL8 633-6NA90-0CG0	10750	1320	1520	2520	1600	375	200	280	630	2250	2610	o.r.		
1SL8 633-6NA90-0CJ0	10850	1320	1520	2520	1600	630	200	280	630	2250	3090	o.r.		
1SL8 634-6NA90-0CG0	11250	1320	1520	2520	1600	375	200	280	630	2250	2610	o.r.		
1SL8 634-6NA90-0CJ0	11400	1320	1520	2520	1600	630	200	280	630	2250	3090	o.r.		
1SL8 637-6NA90-0CG0	12000	1320	1520	2520	1800	375	200	280	630	2250	2810	o.r.		
1SL8 637-6NA90-0CJ0	12100	1320	1520	2520	1800	630	200	280	630	2250	3290	o.r.		
1SL8 638-6NA90-0CG0	12550	1320	1520	2520	1800	375	200	280	630	2250	2810	o.r.		
1SL8 638-6NA90-0CJ0	12650	1320	1520	2520	1800	630	200	280	630	2250	3290	o.r.		
1SL8 712-6NA90-0CG0	13950	1500	1620	2720	2000	375	220	280	710	2550	3010	o.r.		
1SL8 712-6NA90-0CJ0	14050	1500	1620	2720	2000	630	220	280	710	2550	3480	o.r.		
1SL8 713-6NA90-0CG0	14850	1500	1620	2720	2000	375	220	280	710	2550	3010	o.r.		
1SL8 713-6NA90-0CJ0	15000	1500	1620	2720	2000	630	220	280	710	2550	3480	o.r.		
1SL8 714-6NA90-0CG0	15850	1500	1620	2720	2000	375	220	280	710	2550	3010	o.r.		
1SL8 714-6NA90-0CJ0	16000	1500	1620	2720	2000	630	220	280	710	2550	3480	o.r.		
1SL8 717-6NA90-0CG0	17350	1500	1620	2720	2240	375	220	280	710	2460	3250	o.r.		
1SL8 717-6NA90-0CJ0	17500	1500	1620	2720	2240	630	220	280	710	2460	3720	o.r.		
1SL8 718-6NA90-0CG0	18400	1500	1620	2720	2240	375	220	280	710	2460	3250	o.r.		
1SL8 718-6NA90-0CJ0	18550	1500	1620	2720	2240	630	220	280	710	2460	3720	o.r.		
8-pole														
1SL7 451-8NA90-0AA0	4100	850	1140	1760	1180	250	130	200	450	1740	1920	o.r.		
1SL7 451-8NA90-0AC0	4150	850	1140	1760	1180	500	130	200	450	1740	2390	o.r.		



Motor type	Weight	Dimensions											
		A	AD	AE	B	C	D	E	H	HD	L	ML	
	kg	mm	mm	mm	mm	mm	mm	mm	mm	mm	mm	mm	mm
Innomotics HV M - 1SL. IC81W 11000 V / 50 Hz B3 (IM 1001) - Dimension drawings													
1SL7 451-8NA90-0CA0	4250	850	1140	1760	1180	250	130	200	450	1740	1920	o.r.	
1SL7 451-8NA90-0CC0	4300	850	1140	1760	1180	500	130	200	450	1740	2390	o.r.	
1SL7 452-8NA90-0AA0	4250	850	1140	1760	1180	250	130	200	450	1740	1920	o.r.	
1SL7 452-8NA90-0AC0	4300	850	1140	1760	1180	500	130	200	450	1740	2390	o.r.	
1SL7 452-8NA90-0CA0	4400	850	1140	1760	1180	250	130	200	450	1740	1920	o.r.	
1SL7 452-8NA90-0CC0	4450	850	1140	1760	1180	500	130	200	450	1740	2390	o.r.	
1SL7 453-8NA90-0AA0	4500	850	1140	1760	1180	250	130	200	450	1740	1920	o.r.	
1SL7 453-8NA90-0AC0	4500	850	1140	1760	1180	500	130	200	450	1740	2390	o.r.	
1SL7 453-8NA90-0CA0	4650	850	1140	1760	1180	250	130	200	450	1740	1920	o.r.	
1SL7 453-8NA90-0CC0	4650	850	1140	1760	1180	500	130	200	450	1740	2390	o.r.	
1SL7 454-8NA90-0AA0	4700	850	1140	1760	1180	250	130	200	450	1740	1920	o.r.	
1SL7 454-8NA90-0AC0	4750	850	1140	1760	1180	500	130	200	450	1740	2390	o.r.	
1SL7 454-8NA90-0CA0	4850	850	1140	1760	1180	250	130	200	450	1740	1920	o.r.	
1SL7 454-8NA90-0CC0	4900	850	1140	1760	1180	500	130	200	450	1740	2390	o.r.	
1SL7 457-8NA90-0AA0	5200	850	1140	1760	1400	250	130	200	450	1740	2130	o.r.	
1SL7 457-8NA90-0AC0	5250	850	1140	1760	1400	500	130	200	450	1740	2600	o.r.	
1SL7 457-8NA90-0CA0	5400	850	1140	1760	1400	250	130	200	450	1740	2130	o.r.	
1SL7 457-8NA90-0CC0	5400	850	1140	1760	1400	500	130	200	450	1740	2600	o.r.	
1SL7 458-8NA90-0AA0	5450	850	1140	1760	1400	250	130	200	450	1740	2130	o.r.	
1SL7 458-8NA90-0AC0	5500	850	1140	1760	1400	500	130	200	450	1740	2600	o.r.	
1SL7 458-8NA90-0CA0	5650	850	1140	1760	1400	250	130	200	450	1740	2130	o.r.	
1SL7 458-8NA90-0CC0	5700	850	1140	1760	1400	500	130	200	450	1740	2600	o.r.	
1SL7 502-8NA90-0AA0	5850	950	1220	1920	1320	315	160	240	500	1910	2180	o.r.	

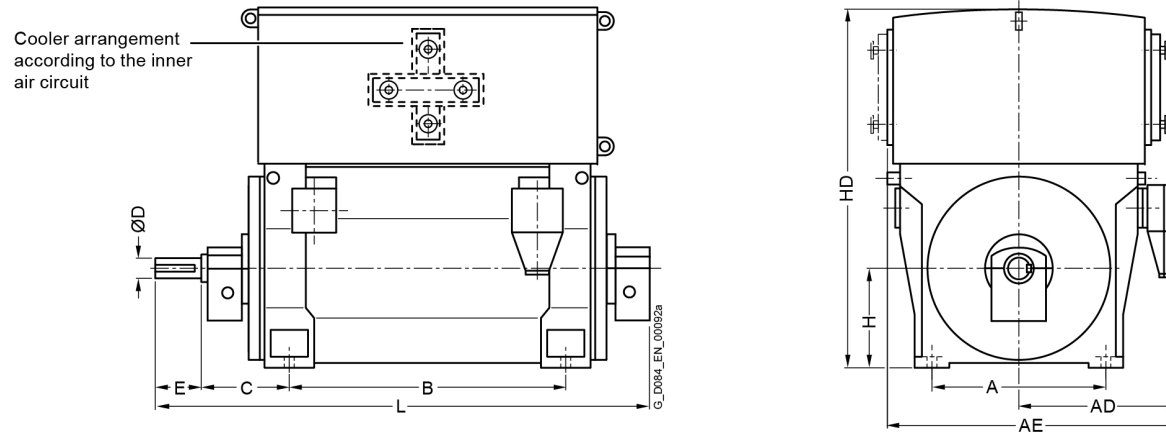


Motor type	Weight	Dimensions												
		A	AD	AE	B	C	D	E	H	HD	L	ML		
	kg	mm	mm	mm	mm	mm	mm	mm	mm	mm	mm	mm	mm	
Innomotics HV M - 1SL. IC81W 11000 V / 50 Hz B3 (IM 1001) - Dimension drawings														
1SL7 502-8NA90-0AC0	5900	950	1220	1920	1320	560	170	240	500	1910	2620	o.r.		
1SL7 502-8NA90-0CA0	6050	950	1220	1920	1320	315	160	240	500	1910	2180	o.r.		
1SL7 502-8NA90-0CC0	6100	950	1220	1920	1320	560	170	240	500	1910	2620	o.r.		
1SL7 503-8NA90-0AA0	6200	950	1220	1920	1320	315	160	240	500	1910	2180	o.r.		
1SL7 503-8NA90-0AC0	6250	950	1220	1920	1320	560	170	240	500	1910	2620	o.r.		
1SL7 503-8NA90-0CA0	6400	950	1220	1920	1320	315	160	240	500	1910	2180	o.r.		
1SL7 503-8NA90-0CC0	6450	950	1220	1920	1320	560	170	240	500	1910	2620	o.r.		
1SL7 504-8NA90-0AA0	6500	950	1220	1920	1320	315	160	240	500	1910	2180	o.r.		
1SL7 504-8NA90-0AC0	6550	950	1220	1920	1320	560	170	240	500	1910	2620	o.r.		
1SL7 504-8NA90-0CA0	6700	950	1220	1920	1320	315	160	240	500	1910	2180	o.r.		
1SL7 504-8NA90-0CC0	6750	950	1220	1920	1320	560	170	240	500	1910	2620	o.r.		
1SL7 507-8NA90-0AA0	7150	950	1220	1920	1500	315	160	240	500	1910	2390	o.r.		
1SL7 507-8NA90-0AC0	7200	950	1220	1920	1500	560	170	240	500	1910	2830	o.r.		
1SL7 507-8NA90-0CA0	7400	950	1220	1920	1500	315	160	240	500	1910	2390	o.r.		
1SL7 507-8NA90-0CC0	7450	950	1220	1920	1500	560	170	240	500	1910	2830	o.r.		
1SL7 508-8NA90-0AA0	7450	950	1220	1920	1500	315	160	240	500	1910	2390	o.r.		
1SL7 508-8NA90-0AC0	7500	950	1220	1920	1500	560	170	240	500	1910	2830	o.r.		
1SL7 508-8NA90-0CA0	7700	950	1220	1920	1500	315	160	240	500	1910	2390	o.r.		
1SL7 508-8NA90-0CC0	7800	950	1220	1920	1500	560	170	240	500	1910	2830	o.r.		
1SL7 563-8NA90-0CA0	8400	1060	1290	2060	1400	335	190	280	560	2110	2390	o.r.		
1SL7 563-8NA90-0CC0	8450	1060	1290	2060	1400	600	190	280	560	2110	2850	o.r.		
1SL7 564-8NA90-0CA0	8800	1060	1290	2060	1400	335	190	280	560	2110	2390	o.r.		
1SL7 564-8NA90-0CC0	8900	1060	1290	2060	1400	600	190	280	560	2110	2850	o.r.		



Motor type	Weight	Dimensions											
		A	AD	AE	B	C	D	E	H	HD	L	ML	
	kg	mm	mm	mm	mm	mm	mm	mm	mm	mm	mm	mm	mm
Innomotics HV M - 1SL. IC81W 11000 V / 50 Hz B3 (IM 1001) - Dimension drawings													
1SL7 567-8NA90-0CA0	9700	1060	1290	2060	1600	335	190	280	560	2110	2620	o.r.	
1SL7 567-8NA90-0CC0	9800	1060	1290	2060	1600	600	190	280	560	2110	3080	o.r.	
1SL7 568-8NA90-0CA0	10200	1060	1290	2060	1600	335	190	280	560	2110	2620	o.r.	
1SL7 568-8NA90-0CC0	10300	1060	1290	2060	1600	600	190	280	560	2110	3080	o.r.	
1SL8 633-8NA90-0CG0	9700	1320	1520	2520	1600	375	200	280	630	2380	2610	o.r.	
1SL8 633-8NA90-0CJ0	9800	1320	1520	2520	1600	630	200	280	630	2380	3090	o.r.	
1SL8 634-8NA90-0CG0	10400	1320	1520	2520	1600	375	200	280	630	2380	2610	o.r.	
1SL8 634-8NA90-0CJ0	10500	1320	1520	2520	1600	630	200	280	630	2380	3090	o.r.	
1SL8 637-8NA90-0CG0	11600	1320	1520	2520	1800	375	200	280	630	2380	2810	o.r.	
1SL8 637-8NA90-0CJ0	11700	1320	1520	2520	1800	630	200	280	630	2380	3290	o.r.	
1SL8 638-8NA90-0CG0	12300	1320	1520	2520	1800	375	200	280	630	2380	2810	o.r.	
1SL8 638-8NA90-0CJ0	12400	1320	1520	2520	1800	630	200	280	630	2380	3290	o.r.	
1SL8 712-8NA90-0CG0	13450	1500	1620	2720	2000	375	220	280	710	2550	3010	o.r.	
1SL8 712-8NA90-0CJ0	13600	1500	1620	2720	2000	630	220	280	710	2550	3480	o.r.	
1SL8 713-8NA90-0CG0	14250	1500	1620	2720	2000	375	220	280	710	2550	3010	o.r.	
1SL8 713-8NA90-0CJ0	14450	1500	1620	2720	2000	630	220	280	710	2550	3480	o.r.	
1SL8 714-8NA90-0CG0	15350	1500	1620	2720	2000	375	220	280	710	2550	3010	o.r.	
1SL8 714-8NA90-0CJ0	15550	1500	1620	2720	2000	630	220	280	710	2550	3480	o.r.	
1SL8 717-8NA90-0CG0	16950	1500	1620	2720	2240	375	220	280	710	2460	3250	o.r.	
1SL8 717-8NA90-0CJ0	17150	1500	1620	2720	2240	630	220	280	710	2460	3720	o.r.	
1SL8 718-8NA90-0CG0	18000	1500	1620	2720	2240	375	220	280	710	2460	3250	o.r.	
1SL8 718-8NA90-0CJ0	18200	1500	1620	2720	2240	630	220	280	710	2460	3720	o.r.	

Innomotics HV M - 1SL, IC81W 13800 V / 60 Hz B3 (IM 1001)																			
Rated power IEC	Article No.	Speed	Rated current I_R	Efficiency				Power factor				Torque T_R	Breakdown torque T_B/ T_R	Locked rotor torque T_{LR}/ T_R	Locked rotor current I_{LR}/ I_R	Inertia			
				5/4 load	4/4 load	3/4 load	2/4 load	5/4 load	4/4 load	3/4 load	2/4 load					motor	external	Startup max T/TR	
kW		rpm	A	%	%	%	%	cos φ	cos φ	cos φ	cos φ	Nm	[-]	[-]	[-]	kgm ²	kgm ²	[-]	
2-pole: $n_{sync} = 3600$ rpm at 60 Hz																			
6600	1SL8 633-2NA20-0CJ0	3585	315	96.6	96.8	96.5	95.6	0.88	0.90	0.89	0.87	17580	2.20	0.55	5.4	82	200	o.r.	
8050	1SL8 637-2NA20-0CJ0	3587	380	96.9	97.1	96.7	95.8	0.90	0.91	0.90	0.87	21431	2.60	0.65	6.0	98	200	o.r.	
10750	1SL8 714-2NA20-0CJ0	3588	520	96.9	96.9	96.5	95.5	0.89	0.90	0.90	0.88	28611	2.30	0.60	5.8	173	110	o.r.	
12550	1SL8 717-2NA20-0CJ0	3589	590	97.1	97.1	96.8	95.9	0.90	0.91	0.91	0.89	33392	2.45	0.60	6.0	202	110	o.r.	
4-pole: $n_{sync} = 1800$ rpm at 60 Hz																			
5850	1SL8 633-4NA20-0C.0	1792	280	96.8	97.2	97.3	96.9	0.89	0.90	0.89	0.85	31174	2.40	0.55	5.9	151	550	o.r.	
7200	1SL8 637-4NA20-0C.0	1793	345	97.1	97.4	97.4	97.0	0.89	0.90	0.88	0.84	38346	2.55	0.60	6.0	181	660	o.r.	
9250	1SL8 713-4NA20-0C.0	1793	440	97.1	97.4	97.4	97.0	0.89	0.90	0.89	0.84	49264	2.60	0.50	6.0	282	690	o.r.	
11050	1SL8 717-4NA20-0C.0	1793	530	97.3	97.5	97.6	97.2	0.89	0.90	0.90	0.86	58851	2.55	0.45	6.0	342	780	o.r.	
6-pole: $n_{sync} = 1200$ rpm at 60 Hz																			
4950	1SL8 633-6NA20-0C.0	1193	245	96.5	97.0	97.1	96.8	0.85	0.87	0.84	0.77	39622	2.30	0.55	5.5	209	1400	o.r.	
6050	1SL8 637-6NA20-0C.0	1194	300	96.8	97.1	97.2	96.8	0.86	0.87	0.83	0.76	48386	2.50	0.60	5.5	246	1900	o.r.	
8650	1SL8 714-6NA20-0C.0	1195	425	97.2	97.5	97.6	97.3	0.86	0.87	0.85	0.78	69123	2.40	0.50	5.5	422	1910	o.r.	
9550	1SL8 717-6NA20-0C.0	1195	470	97.3	97.5	97.6	97.2	0.86	0.87	0.84	0.77	76314	2.45	0.50	5.5	474	2060	o.r.	



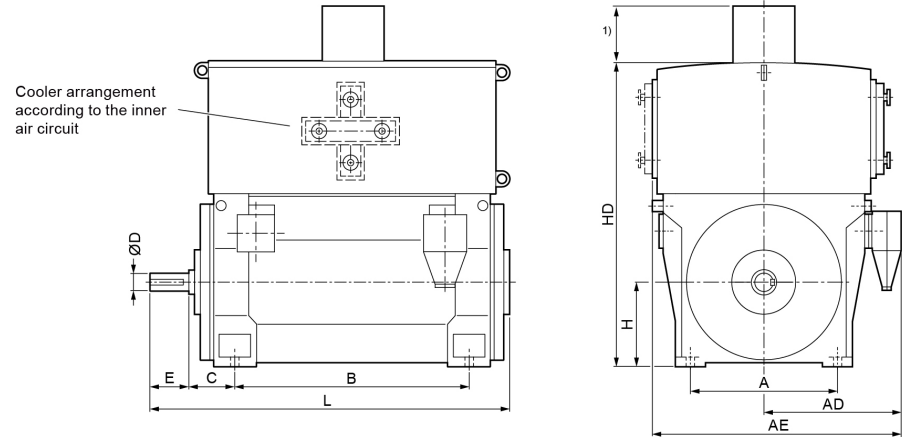
Motor type	Weight kg	Dimensions										
		A mm	AD mm	AE mm	B mm	C mm	D mm	E mm	H mm	HD mm	L mm	ML mm
Innomotics HV M - 1SL. IC81W 13800 V / 60 Hz B3 (IM 1001) - Dimension drawings												
2-pole												
1SL8 633-2NA20-0CJ0	9450	1320	1647	2647	1600	560	160	240	630	2250	2890	o.r.
1SL8 637-2NA20-0CJ0	10750	1320	1647	2647	1800	560	160	240	630	2250	3090	o.r.
1SL8 714-2NA20-0CJ0	13950	1500	1747	2847	2000	560	180	240	710	2550	3280	o.r.
1SL8 717-2NA20-0CJ0	15700	1500	1747	2847	2240	560	180	240	710	2460	3520	o.r.
4-pole												
1SL8 633-4NA20-0CG0	10150	1320	1647	2647	1600	375	200	280	630	2250	2610	o.r.
1SL8 633-4NA20-0CJ0	10250	1320	1647	2647	1600	630	200	280	630	2250	3090	o.r.
1SL8 637-4NA20-0CG0	11450	1320	1647	2647	1800	375	200	280	630	2250	2810	o.r.
1SL8 637-4NA20-0CJ0	11550	1320	1647	2647	1800	630	200	280	630	2250	3290	o.r.
1SL8 713-4NA20-0CG0	14400	1500	1747	2847	2000	375	220	280	710	2550	3010	o.r.
1SL8 713-4NA20-0CJ0	14500	1500	1747	2847	2000	630	220	280	710	2550	3480	o.r.
1SL8 717-4NA20-0CG0	16350	1500	1747	2847	2240	375	220	280	710	2460	3250	o.r.
1SL8 717-4NA20-0CJ0	16500	1500	1747	2847	2240	630	220	280	710	2460	3720	o.r.
6-pole												
1SL8 633-6NA20-0CG0	10600	1320	1647	2647	1600	375	200	280	630	2250	2610	o.r.
1SL8 633-6NA20-0CJ0	10700	1320	1647	2647	1600	630	200	280	630	2250	3090	o.r.
1SL8 637-6NA20-0CG0	11850	1320	1647	2647	1800	375	200	280	630	2250	2810	o.r.
1SL8 637-6NA20-0CJ0	11950	1320	1647	2647	1800	630	200	280	630	2250	3290	o.r.
1SL8 714-6NA20-0CG0	15700	1500	1747	2847	2000	375	220	280	710	2550	3010	o.r.
1SL8 714-6NA20-0CJ0	15800	1500	1747	2847	2000	630	220	280	710	2550	3480	o.r.
1SL8 717-6NA20-0CG0	17050	1500	1747	2847	2240	375	220	280	710	2460	3250	o.r.
1SL8 717-6NA20-0CJ0	17200	1500	1747	2847	2240	630	220	280	710	2460	3720	o.r.

Innomotics HV M - 1SL, IC86W 6000 V / 50 Hz B3 (IM 1001)																					
Rated power IEC	Article No.	Speed	Rated current				Efficiency				Power factor				Torque	Breakdown torque	Locked torque	Locked rotor current	Inertia		
			I_R	5/4 load	4/4 load	3/4 load	2/4 load	5/4 load	4/4 load	3/4 load	2/4 load	5/4 load	4/4 load	3/4 load					2/4 load	T_R	T_B/ T_R
kW		rpm	A	%	%	%	%	$\cos \varphi$	$\cos \varphi$	$\cos \varphi$	$\cos \varphi$		Nm	[-]	[-]	[-]		kgm ²	kgm ²	[-]	
2-pole: $n_{sync} = 3000$ rpm at 50 Hz																					
1750	1SL7 453-2PA60-0A.0	2971	200	95.2	96.1	96.5	96.5	0.85	0.88	0.88	0.86	5627	1.90	0.45	4.6	10	45	o.r.			
1790	1SL7 453-2PA60-0C.0	2971	200	95.2	96.1	96.6	96.5	0.85	0.89	0.89	0.87	5755	1.90	0.50	4.2	14	115	o.r.			
1910	1SL7 454-2PA60-0A.2	2974	215	95.5	96.3	96.6	96.4	0.86	0.88	0.88	0.85	6135	2.05	0.45	4.8	11	50	o.r.			
1960	1SL7 454-2PA60-0C.0	2974	220	95.5	96.2	96.6	96.5	0.86	0.89	0.89	0.87	6296	2.00	0.50	4.5	15	120	o.r.			
2000	1SL7 457-2PA60-0A.2	2975	220	95.7	96.5	96.7	96.5	0.88	0.90	0.90	0.86	6426	2.25	0.55	5.2	12	60	o.r.			
2040	1SL7 457-2PA60-0C.0	2975	225	95.7	96.4	96.7	96.6	0.89	0.90	0.90	0.88	6553	2.15	0.55	4.8	16	140	o.r.			
2240	1SL7 458-2PA60-0A.2	2975	250	95.9	96.6	96.9	96.7	0.88	0.90	0.90	0.87	7192	2.25	0.55	5.2	13	65	o.r.			
2310	1SL7 458-2PA60-0C.0	2975	255	95.9	96.5	96.9	96.8	0.88	0.90	0.90	0.88	7422	2.15	0.55	4.8	18	140	o.r.			
2600	1SL7 503-2PA60-0A.0	2962	295	95.5	96.3	96.8	97.0	0.87	0.88	0.89	0.86	8384	2.05	0.50	3.9	15	32	o.r.			
2600	1SL7 503-2PA60-0C.0	2970	295	95.8	96.5	97.0	97.1	0.87	0.88	0.89	0.87	8361	2.00	0.55	3.8	20	116	o.r.			
2670	1SL7 504-2PA60-0A.0	2964	300	95.6	96.3	96.8	97.0	0.88	0.89	0.89	0.87	8610	2.15	0.50	4.2	15	40	o.r.			
2780	1SL7 504-2PA60-0C.0	2970	310	95.8	96.5	97.0	97.1	0.87	0.89	0.90	0.87	8942	2.05	0.55	3.9	21	108	o.r.			
3100	1SL7 507-2PA60-0A.0	2966	345	96.0	96.6	97.1	97.2	0.88	0.90	0.90	0.86	9986	2.25	0.60	4.5	18	46	o.r.			
3260	1SL7 507-2PA60-0C.2	2971	365	96.2	96.8	97.2	97.3	0.88	0.89	0.90	0.88	10480	2.10	0.65	4.1	24	108	o.r.			
3350	1SL7 508-2PA60-0A.2	2972	365	96.3	96.9	97.2	97.2	0.90	0.91	0.90	0.85	10767	2.60	0.70	5.4	20	74	o.r.			
3550	1SL7 508-2PA60-0C.2	2976	385	96.5	97.0	97.3	97.3	0.90	0.91	0.91	0.88	11399	2.40	0.70	4.9	27	134	o.r.			
4050	1SL7 562-2PA60-0CC2	2978	445	96.3	96.8	96.9	96.7	0.88	0.90	0.90	0.87	12988	2.05	0.55	4.6	41	245	o.r.			
4500	1SL7 563-2PA60-0CC2	2978	500	96.5	96.8	97.1	96.9	0.88	0.89	0.90	0.87	14432	2.00	0.50	4.5	44	230	o.r.			
5000	1SL7 564-2PA60-0CC2	2979	550	96.6	96.9	97.1	96.9	0.90	0.91	0.90	0.88	16029	2.15	0.50	4.8	47	250	o.r.			
5600	1SL7 567-2PA60-0CC2	2980	610	96.8	97.0	97.3	97.1	0.90	0.91	0.91	0.88	17951	2.10	0.55	4.8	52	255	o.r.			
6400	1SL7 568-2PA60-0CC2	2982	700	97.1	97.3	97.4	97.1	0.90	0.91	0.91	0.88	20512	2.25	0.50	5.1	58	270	o.r.			
7200	1SL8 633-2PA60-0CJ0	2978	800	96.5	97.1	97.1	96.8	0.85	0.89	0.89	0.89	23088	1.90	0.50	4.3	82	200	o.r.			
7900	1SL8 634-2PA60-0CJ0	2980	880	96.7	97.2	97.2	96.9	0.86	0.89	0.90	0.89	25315	2.00	0.50	4.6	90	210	o.r.			
8750	1SL8 637-2PA60-0CJ0	2981	960	97.0	97.4	97.4	97.1	0.88	0.90	0.91	0.90	28030	2.10	0.55	5.0	99	220	o.r.			
9700	1SL8 638-2PA60-0CJ0	2981	1060	97.0	97.5	97.5	97.2	0.88	0.90	0.91	0.90	31073	2.15	0.60	5.0	108	210	o.r.			
10150	1SL8 712-2PA60-0CJ0	2982	1140	96.6	97.1	97.1	96.7	0.83	0.88	0.89	0.89	32503	1.70	0.45	4.0	149	150	o.r.			
11150	1SL8 713-2PA60-0CJ0	2981	1280	96.6	97.1	97.2	96.9	0.82	0.87	0.88	0.89	35718	1.65	0.45	3.8	160	130	o.r.			
11600	1SL8 714-2PA60-0CJ0	2983	1300	96.8	97.2	97.3	96.9	0.85	0.89	0.90	0.90	37134	1.80	0.40	4.2	173	160	o.r.			
13000	1SL8 716-2PA60-0CJ0	2984	1420	97.1	97.4	97.4	97.0	0.87	0.90	0.91	0.90	41602	1.90	0.50	4.5	186	140	o.r.			
14650	1SL8 717-2PA60-0CJ0	2984	1600	97.3	97.6	97.5	97.2	0.87	0.90	0.91	0.90	46882	1.90	0.50	4.5	201	120	o.r.			
15000	1SL8 718-2PA60-0CJ0	2983	1620	97.2	97.6	97.7	97.4	0.87	0.91	0.92	0.92	48019	1.90	0.50	4.4	220	120	o.r.			
4-pole: $n_{sync} = 1500$ rpm at 50 Hz																					
1620	1SL7 453-4PA60-0C.2	1483	184	95.2	96.1	96.5	96.6	0.86	0.88	0.87	0.82	10433	2.00	0.50	5.0	23	465	o.r.			
1550	1SL7 453-4PA60-0A.0	1479	176	94.8	95.8	96.3	96.5	0.87	0.88	0.87	0.83	10014	2.15	0.65	5.0	17	225	o.r.			
1680	1SL7 454-4PA60-0A.0	1481	196	95.2	96.0	96.3	96.4	0.85	0.86	0.82	0.73	10836	2.30	0.65	5.2	19	275	o.r.			
1800	1SL7 454-4PA60-0C.2	1483	205	95.2	96.2	96.5	96.6	0.85	0.87	0.84	0.78	11603	2.05	0.50	5.0	25	475	o.r.			

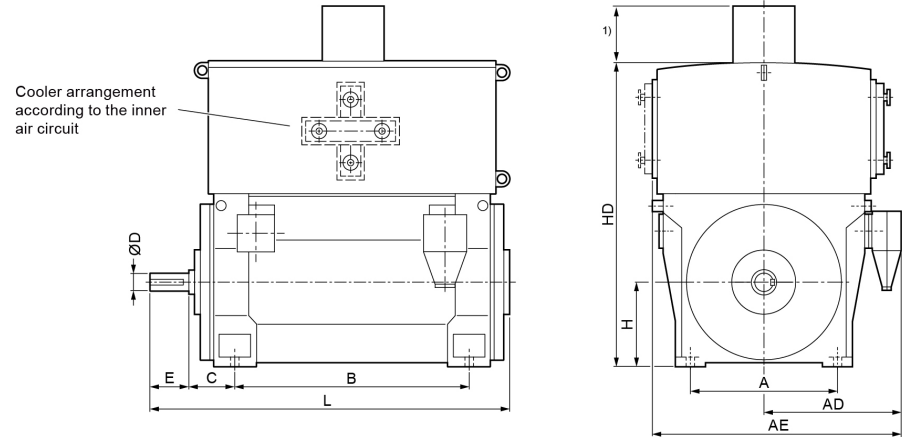
Innomotics HV M - 1SL IC86W 6000 V / 50 Hz B3 (IM 1001)																		
Rated power IEC	Article No.	Speed	Rated current I_R	Efficiency				Power factor				Torque T_R	Breakdown torque T_B/ T_R	Locked rotor torque T_{LR}/ T_R	Locked rotor current I_{LR}/ I_R	Inertia		
				5/4 load	4/4 load	3/4 load	2/4 load	5/4 load	4/4 load	3/4 load	2/4 load					motor	external	Startup max T/TR
kW		rpm	A	%	%	%	%	cos φ	cos φ	cos φ	cos φ	Nm	[-]	[-]	[-]	kgm ²	kgm ²	[-]
1930	1SL7 457-4PA60-0A.2	1482	215	95.4	96.2	96.6	96.7	0.88	0.89	0.88	0.84	12442	2.40	0.75	5.6	22	350	o.r.
2020	1SL7 457-4PA60-0C.2	1485	225	95.7	96.4	96.8	96.9	0.88	0.89	0.88	0.85	12996	2.25	0.55	5.0	30	635	o.r.
2080	1SL7 458-4PA60-0A.0	1483	235	95.7	96.3	96.7	96.8	0.89	0.89	0.88	0.83	13401	2.60	0.80	5.8	24	395	o.r.
2240	1SL7 458-4PA60-0C.2	1485	250	95.8	96.5	96.9	97.0	0.88	0.89	0.89	0.85	14412	2.25	0.55	5.0	33	660	o.r.
2500	1SL7 503-4PA60-0A.2	1485	285	95.9	96.6	97.0	97.1	0.87	0.88	0.87	0.83	16098	2.15	0.75	4.9	37	545	o.r.
2550	1SL7 503-4PA60-0C.2	1486	290	96.0	96.6	97.1	97.1	0.87	0.88	0.88	0.84	16405	2.10	0.55	4.4	45	600	o.r.
2770	1SL7 504-4PA60-0A.2	1486	310	96.1	96.7	97.1	97.1	0.88	0.89	0.87	0.83	17830	2.25	0.80	5.0	40	585	o.r.
2800	1SL7 504-4PA60-0C.2	1487	315	96.1	96.7	97.2	97.1	0.88	0.89	0.88	0.84	18003	2.15	0.55	4.5	50	665	o.r.
3100	1SL7 507-4PA60-0A.2	1485	350	96.2	96.8	97.2	97.3	0.87	0.88	0.88	0.85	19963	2.20	0.75	4.9	46	655	o.r.
3150	1SL7 507-4PA60-0C.2	1487	350	96.3	96.9	97.3	97.3	0.88	0.89	0.89	0.86	20255	2.15	0.55	4.5	56	700	o.r.
3480	1SL7 508-4PA60-0C.2	1489	390	96.5	97.0	97.3	97.3	0.87	0.88	0.88	0.83	22352	2.20	0.55	4.6	62	805	o.r.
3260	1SL7 508-4PA60-0A.2	1485	365	96.2	96.8	97.3	97.3	0.88	0.89	0.89	0.86	20989	2.35	0.85	5.2	50	705	o.r.
3550	1SL7 562-4PA60-0C.2	1489	401	96.4	96.9	97.3	97.3	0.86	0.88	0.87	0.84	22792	2.05	0.60	4.8	74	615	o.r.
4000	1SL7 563-4PA60-0C.2	1488	451	96.4	96.9	97.4	97.4	0.86	0.88	0.87	0.85	25692	2.00	0.60	4.7	80	580	o.r.
4600	1SL7 564-4PA60-0C.2	1489	519	96.6	97.0	97.5	97.4	0.87	0.88	0.88	0.85	29535	2.05	0.60	4.8	90	685	o.r.
5100	1SL7 566-4PA60-0C.2	1489	567	96.8	97.2	97.6	97.5	0.88	0.89	0.88	0.85	32724	2.15	0.65	5.1	100	735	o.r.
5700	1SL7 567-4PA60-0C.2	1489	633	96.9	97.3	97.7	97.6	0.88	0.89	0.89	0.86	36573	2.15	0.65	5.2	110	760	o.r.
6300	1SL7 568-4PA60-0C.2	1490	699	97.0	97.4	97.7	97.7	0.88	0.89	0.89	0.85	40402	2.25	0.70	5.4	119	760	o.r.
6650	1SL8 633-4PA60-0C.0	1489	750	96.7	97.3	97.6	97.5	0.86	0.88	0.89	0.86	42648	2.00	0.50	4.7	151	540	o.r.
7150	1SL8 634-4PA60-0C.0	1489	790	96.7	97.3	97.6	97.6	0.86	0.89	0.89	0.87	45855	2.00	0.50	4.8	166	640	o.r.
8100	1SL8 637-4PA60-0C.0	1489	900	96.9	97.4	97.7	97.6	0.87	0.89	0.89	0.86	51947	2.10	0.50	5.0	182	650	o.r.
9300	1SL8 638-4PA60-0C.0	1490	1040	97.1	97.6	97.8	97.7	0.87	0.89	0.88	0.85	59603	2.10	0.50	5.0	198	670	o.r.
9600	1SL8 712-4PA60-0C.0	1490	1060	97.1	97.6	97.8	97.7	0.87	0.89	0.89	0.86	61526	2.15	0.45	4.9	259	650	o.r.
10450	1SL8 713-4PA60-0C.0	1490	1140	97.2	97.6	97.8	97.7	0.88	0.90	0.89	0.87	66973	2.20	0.50	5.2	284	720	o.r.
11500	1SL8 714-4PA60-0C.0	1490	1260	97.3	97.7	97.9	97.8	0.88	0.90	0.90	0.87	73703	2.25	0.50	5.3	312	800	o.r.
12750	1SL8 717-4PA60-0C.0	1491	1400	97.3	97.7	97.9	97.8	0.89	0.90	0.90	0.88	81659	2.30	0.55	5.5	346	850	o.r.
13600	1SL8 718-4PA60-0C.0	1492	1480	97.4	97.8	97.9	97.8	0.89	0.90	0.89	0.85	87045	2.50	0.55	5.8	365	930	o.r.
6-pole: $n_{sync} = 1000$ rpm at 50 Hz																		
1250	1SL7 453-6PA60-0A.0	987	148	94.4	95.4	96.0	96.3	0.84	0.85	0.83	0.77	12103	2.05	0.70	5.0	22	730	o.r.
1260	1SL7 453-6PA60-0C.0	986	148	94.3	95.4	96.0	96.3	0.84	0.86	0.84	0.79	12201	2.00	0.60	4.5	30	970	o.r.
1410	1SL7 454-6PA60-0A.0	988	166	94.7	95.6	96.1	96.3	0.84	0.85	0.82	0.75	13641	2.05	0.70	4.9	24	945	o.r.
1430	1SL7 454-6PA60-0C.0	987	170	94.6	95.6	96.2	96.4	0.84	0.85	0.84	0.78	13847	2.00	0.55	4.4	33	1215	o.r.
1520	1SL7 457-6PA60-0A.0	988	180	94.8	95.7	96.3	96.5	0.84	0.85	0.84	0.77	14706	2.10	0.75	5.1	28	1025	o.r.
1550	1SL7 457-6PA60-0C.0	987	182	94.7	95.7	96.2	96.5	0.84	0.86	0.85	0.80	14997	2.10	0.60	4.5	36	1275	o.r.
1650	1SL7 458-6PA60-0A.0	989	192	95.1	95.9	96.4	96.6	0.85	0.86	0.84	0.77	15950	2.25	0.80	5.3	31	1135	o.r.
1680	1SL7 458-6PA60-0C.0	988	194	95.0	95.9	96.4	96.6	0.85	0.87	0.85	0.79	16244	2.20	0.60	4.8	41	1410	o.r.
1800	1SL7 502-6PA60-0A.2	990	210	95.4	96.2	96.7	96.8	0.84	0.85	0.83	0.76	17387	2.15	0.85	4.5	42	1620	o.r.

Innomotics HV M - 1SL IC86W 6000 V / 50 Hz B3 (IM 1001)																		
Rated power IEC	Article No.	Speed	Rated current I_R	Efficiency				Power factor				Torque T_R	Breakdown torque T_B/ T_R	Locked rotor torque T_{LR}/ T_R	Locked rotor current I_{LR}/ I_R	Inertia		
				5/4 load	4/4 load	3/4 load	2/4 load	5/4 load	4/4 load	3/4 load	2/4 load					motor	external	Startup max T/TR
kW		rpm	A	%	%	%	%	$\cos \varphi$	$\cos \varphi$	$\cos \varphi$	$\cos \varphi$	Nm	[-]	[-]	[-]	kgm ²	kgm ²	[-]
1800	1SL7 502-6PA60-0C.2	991	210	95.6	96.3	96.8	96.9	0.84	0.85	0.84	0.78	17365	2.10	0.70	4.2	54	2060	o.r.
2000	1SL7 503-6PA60-0A.2	990	230	95.6	96.4	96.8	96.9	0.84	0.86	0.84	0.77	19320	2.15	0.90	4.6	46	1790	o.r.
2000	1SL7 503-6PA60-0C.2	991	235	95.8	96.5	96.9	97.0	0.84	0.86	0.85	0.79	19276	2.10	0.70	4.3	60	2300	o.r.
2280	1SL7 504-6PA60-0A.2	990	260	95.6	96.4	96.8	97.0	0.85	0.86	0.84	0.77	22029	2.15	0.90	4.6	51	1680	o.r.
2240	1SL7 504-6PA60-0C.2	991	260	95.9	96.6	97.0	97.1	0.85	0.86	0.85	0.79	21602	2.15	0.75	4.4	66	2100	o.r.
2540	1SL7 507-6PA60-0A.2	990	290	95.9	96.5	97.0	97.1	0.85	0.86	0.84	0.77	24531	2.20	0.90	4.8	58	2110	o.r.
2570	1SL7 507-6PA60-0C.2	991	290	96.0	96.7	97.1	97.2	0.85	0.86	0.85	0.80	24785	2.15	0.75	4.3	74	2440	o.r.
2680	1SL7 508-6PA60-0A.2	990	310	96.2	96.7	97.1	97.1	0.85	0.86	0.83	0.75	25858	2.35	0.95	5.1	63	2480	o.r.
2750	1SL7 508-6PA60-0C.2	991	320	96.2	96.9	97.2	97.2	0.85	0.86	0.85	0.78	26495	2.25	0.75	4.6	81	2780	o.r.
3000	1SL7 562-6PA60-0C.2	992	345	96.0	96.6	97.0	96.8	0.85	0.86	0.86	0.82	28909	1.80	0.60	5.2	105	2430	o.r.
3300	1SL7 563-6PA60-0C.2	992	380	96.1	96.8	97.0	97.0	0.85	0.86	0.85	0.82	31792	1.80	0.60	5.2	113	2500	o.r.
3700	1SL7 564-6PA60-0C.2	992	430	96.2	96.8	97.1	97.1	0.85	0.86	0.86	0.82	35646	1.80	0.60	5.2	124	2485	o.r.
4100	1SL7 567-6PA60-0C.2	992	475	96.3	96.9	97.1	97.2	0.85	0.86	0.86	0.82	39488	1.80	0.60	5.2	137	2600	o.r.
4550	1SL7 568-6PA60-0C.2	992	520	96.6	97.0	97.2	97.2	0.86	0.86	0.86	0.81	43806	2.00	0.60	5.5	151	2945	o.r.
5000	1SL8 632-6PA60-0C.0	991	580	96.3	96.9	97.2	97.1	0.84	0.86	0.83	0.77	48180	2.10	0.55	4.7	193	1880	o.r.
5200	1SL8 633-6PA60-0C.0	991	590	96.4	97.0	97.3	97.2	0.84	0.87	0.84	0.79	50107	2.10	0.55	4.7	209	2160	o.r.
6000	1SL8 634-6PA60-0C.0	991	690	96.5	97.1	97.4	97.3	0.84	0.86	0.84	0.79	57816	2.00	0.52	4.7	227	2080	o.r.
6400	1SL8 637-6PA60-0C.0	991	730	96.5	97.1	97.4	97.3	0.84	0.87	0.85	0.80	61671	2.00	0.52	4.7	247	2400	o.r.
6900	1SL8 638-6PA60-0C.0	991	790	96.6	97.2	97.5	97.4	0.85	0.87	0.85	0.80	66489	2.05	0.52	4.7	265	2580	o.r.
7350	1SL8 712-6PA60-0C.0	993	840	96.9	97.4	97.6	97.5	0.85	0.86	0.84	0.79	70682	2.15	0.55	5.0	331	2240	o.r.
8150	1SL8 713-6PA60-0C.0	993	920	97.0	97.5	97.7	97.7	0.85	0.87	0.86	0.82	78375	2.10	0.55	5.0	374	2520	o.r.
9400	1SL8 714-6PA60-0C.0	993	1060	97.1	97.5	97.8	97.7	0.85	0.87	0.85	0.80	90396	2.15	0.50	5.0	424	2810	o.r.
10550	1SL8 717-6PA60-0C.0	994	1200	97.3	97.7	97.9	97.7	0.86	0.87	0.85	0.80	101353	2.30	0.60	5.4	478	3250	o.r.
11300	1SL8 718-6PA60-0C.0	994	1280	97.4	97.7	97.9	97.7	0.86	0.87	0.85	0.77	108558	2.50	0.60	5.5	524	3760	o.r.
8-pole: $n_{sync} = 750$ rpm at 50 Hz																		
820	1SL7 452-8PA60-0A.0	739	102	93.8	95.0	95.4	95.4	0.79	0.81	0.77	0.68	10592	1.80	0.60	4.0	25	1540	o.r.
880	1SL7 452-8PA60-0C.0	738	108	93.6	94.9	95.4	95.5	0.80	0.82	0.79	0.71	11379	1.90	0.55	4.1	32	1900	o.r.
930	1SL7 453-8PA60-0A.0	739	116	94.0	95.1	95.6	95.6	0.79	0.81	0.77	0.68	12013	1.80	0.60	3.9	28	1960	o.r.
1000	1SL7 453-8PA60-0C.0	738	124	93.9	95.1	95.5	95.7	0.81	0.82	0.79	0.71	12926	1.90	0.55	4.0	36	2310	o.r.
1000	1SL7 454-8PA60-0A.2	739	124	94.1	95.4	95.7	95.8	0.80	0.81	0.78	0.70	12919	1.85	0.60	4.0	31	2450	o.r.
1100	1SL7 454-8PA60-0C.0	738	134	94.0	95.2	95.7	95.9	0.81	0.83	0.80	0.73	14225	1.90	0.55	4.1	40	2750	o.r.
1190	1SL7 457-8PA60-0A.0	739	148	94.4	95.4	95.8	95.8	0.80	0.81	0.77	0.68	15370	1.85	0.60	4.2	35	2610	o.r.
1220	1SL7 457-8PA60-0C.2	740	148	94.5	95.5	95.8	95.8	0.82	0.83	0.79	0.70	15743	2.00	0.60	4.6	45	3470	o.r.
1260	1SL7 458-8PA60-0A.0	739	154	94.5	95.5	95.8	95.9	0.80	0.82	0.78	0.69	16267	1.95	0.65	4.5	39	2760	o.r.
1310	1SL7 458-8PA60-0C.0	740	160	94.6	95.5	95.9	95.9	0.82	0.83	0.80	0.71	16900	2.10	0.60	4.8	50	3580	o.r.
1400	1SL7 502-8PA60-0A.2	742	174	95.1	95.9	96.4	96.6	0.81	0.81	0.79	0.73	18026	1.95	0.75	3.9	46	2280	o.r.
1400	1SL7 502-8PA60-0C.2	741	170	95.0	95.9	96.4	96.7	0.81	0.83	0.80	0.74	18042	1.95	0.50	3.7	59	2990	o.r.

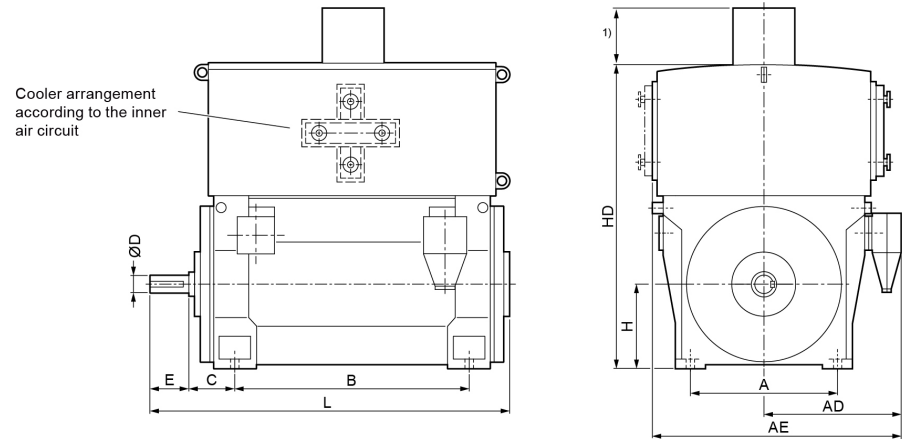
Innomotics HV M - 1SL, IC86W 6000 V / 50 Hz B3 (IM 1001)																		
Rated power IEC	Article No.	Speed	Rated current I_R	Efficiency				Power factor				Torque T_R	Breakdown torque T_B/ T_R	Locked rotor torque T_{LR}/ T_R	Locked rotor current I_{LR}/ I_R	Inertia		
				5/4 load	4/4 load	3/4 load	2/4 load	5/4 load	4/4 load	3/4 load	2/4 load					motor	external	Startup max T/TR
kW		rpm	A	%	%	%	%	$\cos \varphi$	$\cos \varphi$	$\cos \varphi$	$\cos \varphi$	Nm	[-]	[-]	[-]	kgm ²	kgm ²	[-]
1600	1SL7 503-8PA60-0A.2	741	196	95.1	96.0	96.5	96.8	0.80	0.82	0.81	0.76	20625	1.85	0.70	3.7	51	2130	o.r.
1600	1SL7 503-8PA60-0C.2	740	194	94.9	95.9	96.5	96.8	0.80	0.83	0.81	0.77	20641	1.85	0.45	3.5	65	2830	o.r.
1680	1SL7 504-8PA60-0A.2	743	205	95.5	96.2	96.5	96.6	0.82	0.82	0.79	0.72	21626	2.05	0.80	4.2	56	2840	o.r.
1700	1SL7 504-8PA60-0C.2	742	205	95.4	96.2	96.6	96.7	0.82	0.83	0.80	0.74	21881	2.10	0.55	3.9	72	3580	o.r.
1810	1SL7 507-8PA60-0A.2	743	220	95.6	96.3	96.7	96.7	0.82	0.82	0.79	0.72	23296	2.10	0.80	4.2	63	3670	o.r.
1840	1SL7 507-8PA60-0C.2	742	220	95.6	96.3	96.7	96.9	0.82	0.83	0.82	0.74	23674	2.10	0.60	4.0	80	4640	o.r.
2000	1SL7 508-8PA60-0A.2	743	245	95.8	96.4	96.7	96.7	0.81	0.82	0.80	0.72	25731	2.15	0.85	4.4	69	3790	o.r.
2000	1SL7 508-8PA60-0C.2	743	240	95.8	96.4	96.8	96.9	0.82	0.83	0.81	0.73	25739	2.20	0.60	4.2	88	4780	o.r.
2300	1SL7 563-8PA60-0C.2	743	275	95.6	96.3	96.7	96.6	0.82	0.83	0.81	0.75	29553	2.00	0.55	4.4	124	3025	o.r.
2600	1SL7 564-8PA60-0C.2	743	315	95.8	96.4	96.8	96.7	0.83	0.83	0.82	0.76	33406	2.00	0.60	4.5	137	3315	o.r.
2900	1SL7 567-8PA60-0C.2	744	350	96.0	96.5	96.9	96.8	0.83	0.83	0.81	0.74	37262	2.15	0.60	4.7	150	3950	o.r.
3300	1SL7 568-8PA60-0C.2	744	395	96.2	96.7	97.0	96.9	0.83	0.83	0.81	0.75	42419	2.10	0.60	4.6	165	5680	o.r.
3350	1SL8 633-8PA60-0C.0	742	395	95.2	96.0	96.4	96.3	0.83	0.85	0.83	0.77	43113	1.80	0.40	3.8	216	3390	o.r.
3900	1SL8 634-8PA60-0C.0	742	455	95.6	96.3	96.5	96.4	0.84	0.86	0.83	0.76	50192	1.90	0.45	4.1	251	3760	o.r.
4550	1SL8 637-8PA60-0C.0	743	530	96.0	96.5	96.7	96.5	0.85	0.86	0.82	0.75	58478	2.05	0.50	4.4	292	5960	o.r.
4800	1SL8 638-8PA60-0C.0	743	560	96.2	96.7	96.8	96.6	0.85	0.86	0.83	0.76	61691	2.10	0.50	4.5	326	6970	o.r.
5400	1SL8 712-8PA60-0C.0	744	580	96.4	96.8	97.0	96.8	0.85	0.86	0.82	0.75	69309	2.15	0.45	4.6	422	5600	o.r.
5900	1SL8 713-8PA60-0C.0	745	650	96.4	96.9	97.0	96.8	0.86	0.86	0.83	0.75	75625	2.25	0.50	4.8	474	6410	o.r.
6900	1SL8 714-8PA60-0C.0	745	720	96.6	97.0	97.1	96.9	0.86	0.87	0.83	0.76	88443	2.25	0.50	4.8	542	7220	o.r.
7800	1SL8 717-8PA60-0C.0	745	820	96.8	97.1	97.2	96.9	0.86	0.87	0.82	0.74	99979	2.35	0.50	5.0	619	8530	o.r.
8300	1SL8 718-8PA60-0C.0	745	910	96.9	97.2	97.2	97.0	0.87	0.87	0.83	0.75	106388	2.45	0.60	5.2	682	9540	o.r.



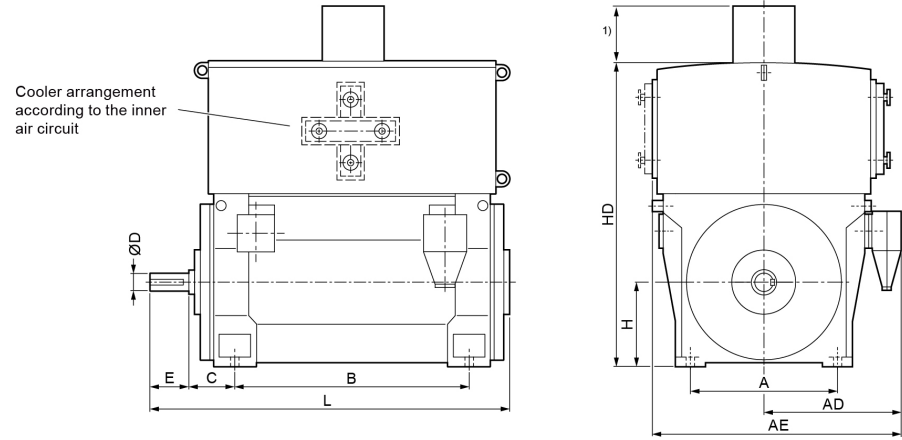
Motor type	Weight	Dimensions										
		A	AD	AE	B	C	D	E	H	HD	L	ML
	kg	mm	mm	mm	mm	mm	mm	mm	mm	mm	mm	mm
Innomotics HV M - 1SL. IC86W 6000 V / 50 Hz B3 (IM 1001) - Dimension drawings												
2-pole												
1SL7 453-2PA60-0AA0	4400	850	925	1545	1180	250	95	130	450	2350	1790	o.r.
1SL7 453-2PA60-0AC0	4300	850	925	1545	1180	475	95	130	450	2350	2010	o.r.
1SL7 453-2PA60-0CA0	4550	850	925	1545	1180	250	95	130	450	2350	1790	o.r.
1SL7 453-2PA60-0CC0	4450	850	925	1545	1180	475	95	130	450	2350	2010	o.r.
1SL7 454-2PA60-0AA2	4550	850	925	1545	1180	250	95	130	450	2350	1790	o.r.
1SL7 454-2PA60-0AC2	4450	850	925	1545	1180	475	95	130	450	2350	2010	o.r.
1SL7 454-2PA60-0CA0	4650	850	925	1545	1180	250	95	130	450	2350	1790	o.r.
1SL7 454-2PA60-0CC0	4600	850	925	1545	1180	475	95	130	450	2350	2010	o.r.
1SL7 457-2PA60-0AA2	4900	850	925	1545	1400	250	95	130	450	2350	2000	o.r.
1SL7 457-2PA60-0AC2	4800	850	925	1545	1400	475	95	130	450	2350	2220	o.r.
1SL7 457-2PA60-0CA0	5050	850	925	1545	1400	250	95	130	450	2350	2000	o.r.
1SL7 457-2PA60-0CC0	4950	850	925	1545	1400	475	95	130	450	2350	2220	o.r.
1SL7 458-2PA60-0AA2	5100	850	925	1545	1400	250	95	130	450	2350	2000	o.r.
1SL7 458-2PA60-0AC2	5000	850	925	1545	1400	475	95	130	450	2350	2220	o.r.
1SL7 458-2PA60-0CA0	5250	850	925	1545	1400	250	95	130	450	2350	2000	o.r.
1SL7 458-2PA60-0CC0	5200	850	925	1545	1400	475	95	130	450	2350	2220	o.r.
1SL7 503-2PA60-0AA0	5850	950	1005	1705	1320	250	110	165	500	2640	2000	o.r.
1SL7 503-2PA60-0AC0	5800	950	1005	1705	1320	530	120	165	500	2640	2280	o.r.
1SL7 503-2PA60-0CA0	6000	950	1005	1705	1320	250	110	165	500	2640	2000	o.r.
1SL7 503-2PA60-0CC0	5950	950	1005	1705	1320	530	120	165	500	2640	2280	o.r.
1SL7 504-2PA60-0AA0	5950	950	1005	1705	1320	250	110	165	500	2640	2000	o.r.
1SL7 504-2PA60-0AC0	5850	950	1005	1705	1320	530	120	165	500	2640	2280	o.r.



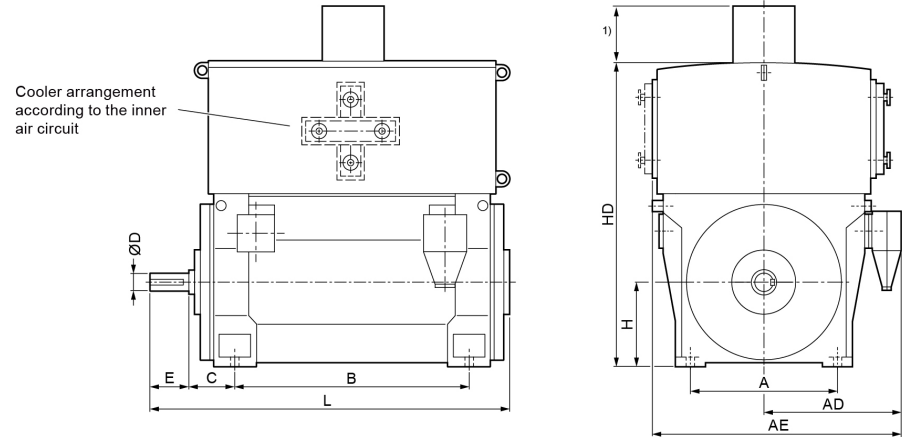
Motor type	Weight	Dimensions											
		A	AD	AE	B	C	D	E	H	HD	L	ML	
	kg	mm	mm	mm	mm	mm	mm	mm	mm	mm	mm	mm	mm
Innomotics HV M - 1SL. IC86W 6000 V / 50 Hz B3 (IM 1001) - Dimension drawings													
1SL7 504-2PA60-0CA0	6100	950	1005	1705	1320	250	110	165	500	2640	2000	o.r.	
1SL7 504-2PA60-0CC0	6000	950	1005	1705	1320	530	120	165	500	2640	2280	o.r.	
1SL7 507-2PA60-0AA0	6650	950	1005	1705	1500	250	110	165	500	2640	2210	o.r.	
1SL7 507-2PA60-0AC0	6550	950	1005	1705	1500	530	120	165	500	2640	2490	o.r.	
1SL7 507-2PA60-0CA2	6800	950	1005	1705	1500	250	110	165	500	2640	2210	o.r.	
1SL7 507-2PA60-0CC2	6750	950	1005	1705	1500	530	120	165	500	2640	2490	o.r.	
1SL7 508-2PA60-0AA2	6950	950	1005	1705	1500	250	110	165	500	2640	2210	o.r.	
1SL7 508-2PA60-0AC2	6850	950	1005	1705	1500	530	120	165	500	2640	2490	o.r.	
1SL7 508-2PA60-0CA2	7100	950	1005	1705	1500	250	110	165	500	2640	2210	o.r.	
1SL7 508-2PA60-0CC2	7050	950	1005	1705	1500	530	120	165	500	2640	2490	o.r.	
1SL7 562-2PA60-0CC2	8050	1060	1290	2060	1400	600	150	200	560	2830	2530	o.r.	
1SL7 563-2PA60-0CC2	8350	1060	1290	2060	1400	600	150	200	560	2830	2530	o.r.	
1SL7 564-2PA60-0CC2	8550	1060	1290	2060	1400	600	150	200	560	2830	2530	o.r.	
1SL7 567-2PA60-0CC2	9400	1060	1290	2060	1600	600	150	200	560	2830	2760	o.r.	
1SL7 568-2PA60-0CC2	10000	1060	1290	2060	1600	600	150	200	560	2830	2760	o.r.	
1SL8 633-2PA60-0CJ0	10150	1320	1520	2520	1600	560	160	240	630	3090	2760	o.r.	
1SL8 634-2PA60-0CJ0	10650	1320	1520	2520	1600	560	160	240	630	3090	2760	o.r.	
1SL8 637-2PA60-0CJ0	11500	1320	1520	2520	1800	560	160	240	630	3090	2960	o.r.	
1SL8 638-2PA60-0CJ0	12100	1320	1520	2520	1800	560	160	240	630	3090	2960	o.r.	
1SL8 712-2PA60-0CJ0	13550	1500	1620	2720	2000	560	180	240	710	3360	3150	o.r.	
1SL8 713-2PA60-0CJ0	14200	1500	1620	2720	2000	560	180	240	710	3360	3150	o.r.	
1SL8 714-2PA60-0CJ0	14800	1500	1620	2720	2000	560	180	240	710	3360	3150	o.r.	
1SL8 716-2PA60-0CJ0	15800	1500	1620	2720	2240	560	180	240	710	3360	3390	o.r.	



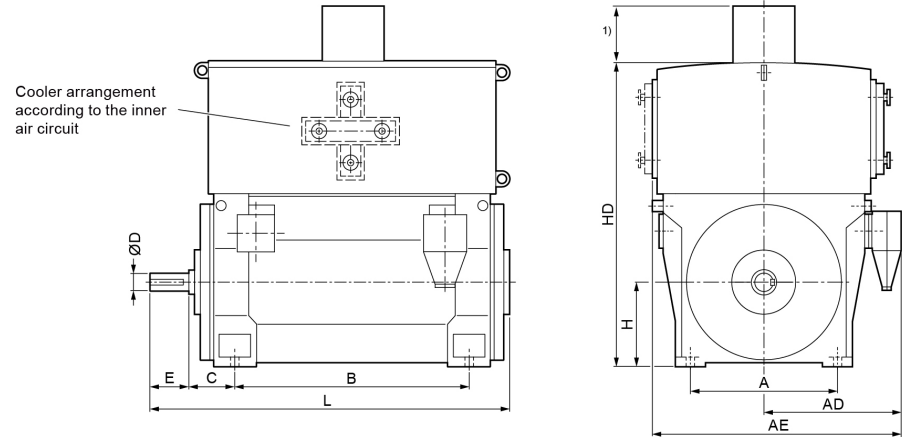
Motor type	Weight	Dimensions											
		A	AD	AE	B	C	D	E	H	HD	L	ML	
	kg	mm	mm	mm	mm	mm	mm	mm	mm	mm	mm	mm	mm
Innomotics HV M - 1SL. IC86W 6000 V / 50 Hz B3 (IM 1001) - Dimension drawings													
1SL8 717-2PA60-0CJ0	16700	1500	1620	2720	2240	560	180	240	710	3360	3390	o.r.	
1SL8 718-2PA60-0CJ0	17700	1500	1620	2720	2240	560	180	240	710	3360	3390	o.r.	
4-pole													
1SL7 453-4PA60-0CA2	4550	850	925	1545	1180	250	130	200	450	1940	2290	o.r.	
1SL7 453-4PA60-0CC2	4600	850	925	1545	1180	500	130	200	450	1940	2540	o.r.	
1SL7 453-4PA60-0AA0	4400	850	925	1545	1180	250	130	200	450	1940	2290	o.r.	
1SL7 453-4PA60-0AC0	4450	850	925	1545	1180	500	130	200	450	1940	2540	o.r.	
1SL7 454-4PA60-0AA0	4600	850	925	1545	1180	250	130	200	450	1940	2290	o.r.	
1SL7 454-4PA60-0AC0	4600	850	925	1545	1180	500	130	200	450	1940	2540	o.r.	
1SL7 454-4PA60-0CA2	4750	850	925	1545	1180	250	130	200	450	1940	2290	o.r.	
1SL7 454-4PA60-0CC2	4750	850	925	1545	1180	500	130	200	450	1940	2540	o.r.	
1SL7 457-4PA60-0AA2	5150	850	925	1545	1400	250	130	200	450	1940	2500	o.r.	
1SL7 457-4PA60-0AC2	5200	850	925	1545	1400	500	130	200	450	1940	2750	o.r.	
1SL7 457-4PA60-0CA2	5350	850	925	1545	1400	250	130	200	450	1940	2500	o.r.	
1SL7 457-4PA60-0CC2	5350	850	925	1545	1400	500	130	200	450	1940	2750	o.r.	
1SL7 458-4PA60-0AA0	5350	850	925	1545	1400	250	130	200	450	1940	2500	o.r.	
1SL7 458-4PA60-0AC0	5400	850	925	1545	1400	500	130	200	450	1940	2750	o.r.	
1SL7 458-4PA60-0CA2	5550	850	925	1545	1400	250	130	200	450	1940	2500	o.r.	
1SL7 458-4PA60-0CC2	5600	850	925	1545	1400	500	130	200	450	1940	2750	o.r.	
1SL7 503-4PA60-0AA2	6150	950	1005	1705	1320	315	160	240	500	2640	2140	o.r.	
1SL7 503-4PA60-0AC2	6200	950	1005	1705	1320	560	170	240	500	2640	2380	o.r.	
1SL7 503-4PA60-0CA2	6250	950	1005	1705	1320	315	160	240	500	2640	2140	o.r.	
1SL7 503-4PA60-0CC2	6350	950	1005	1705	1320	560	170	240	500	2640	2380	o.r.	



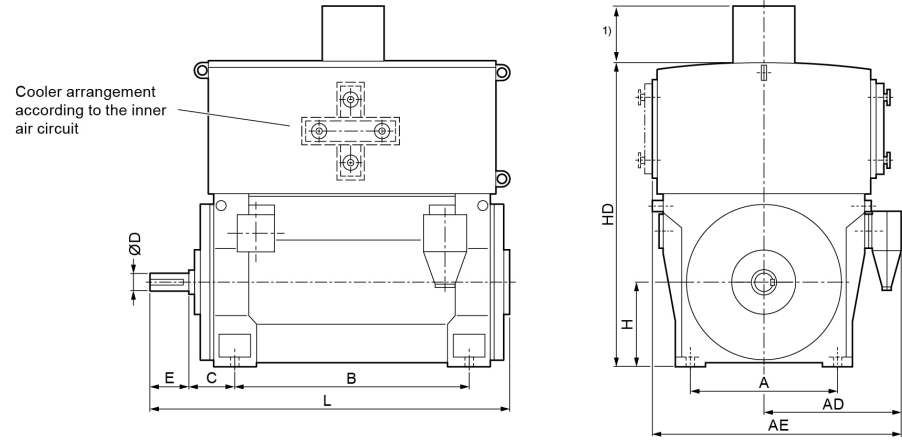
Motor type	Weight	Dimensions										
		A	AD	AE	B	C	D	E	H	HD	L	ML
	kg	mm	mm	mm	mm	mm	mm	mm	mm	mm	mm	mm
Innomotics HV M - 1SL. IC86W 6000 V / 50 Hz B3 (IM 1001) - Dimension drawings												
1SL7 504-4PA60-0AA2	6400	950	1005	1705	1320	315	160	240	500	2640	2140	o.r.
1SL7 504-4PA60-0AC2	6500	950	1005	1705	1320	560	170	240	500	2640	2380	o.r.
1SL7 504-4PA60-0CA2	6550	950	1005	1705	1320	315	160	240	500	2640	2140	o.r.
1SL7 504-4PA60-0CC2	6650	950	1005	1705	1320	560	170	240	500	2640	2380	o.r.
1SL7 507-4PA60-0AA2	7100	950	1005	1705	1500	315	160	240	500	2640	2350	o.r.
1SL7 507-4PA60-0AC2	7200	950	1005	1705	1500	560	170	240	500	2640	2590	o.r.
1SL7 507-4PA60-0CA2	7250	950	1005	1705	1500	315	160	240	500	2640	2350	o.r.
1SL7 507-4PA60-0CC2	7350	950	1005	1705	1500	560	170	240	500	2640	2590	o.r.
1SL7 508-4PA60-0CA2	7600	950	1005	1705	1500	315	160	240	500	2640	2350	o.r.
1SL7 508-4PA60-0CC2	7700	950	1005	1705	1500	560	170	240	500	2640	2590	o.r.
1SL7 508-4PA60-0AA2	7350	950	1005	1705	1500	315	160	240	500	2640	2350	o.r.
1SL7 508-4PA60-0AC2	7450	950	1005	1705	1500	560	170	240	500	2640	2590	o.r.
1SL7 562-4PA60-0CA2	8150	1060	1290	2060	1400	335	190	280	560	2830	2340	o.r.
1SL7 562-4PA60-0CC2	8250	1060	1290	2060	1400	600	190	280	560	2830	2610	o.r.
1SL7 563-4PA60-0CA2	8400	1060	1290	2060	1400	335	190	280	560	2830	2340	o.r.
1SL7 563-4PA60-0CC2	8450	1060	1290	2060	1400	600	190	280	560	2830	2610	o.r.
1SL7 564-4PA60-0CA2	8900	1060	1290	2060	1400	335	190	280	560	2830	2340	o.r.
1SL7 564-4PA60-0CC2	8950	1060	1290	2060	1400	600	190	280	560	2830	2610	o.r.
1SL7 566-4PA60-0CA2	9700	1060	1290	2060	1600	335	190	280	560	2830	2570	o.r.
1SL7 566-4PA60-0CC2	9750	1060	1290	2060	1600	600	190	280	560	2830	2840	o.r.
1SL7 567-4PA60-0CA2	10200	1060	1290	2060	1600	335	190	280	560	2830	2570	o.r.
1SL7 567-4PA60-0CC2	10250	1060	1290	2060	1600	600	190	280	560	2830	2840	o.r.
1SL7 568-4PA60-0CA2	10600	1060	1290	2060	1600	335	190	280	560	2830	2570	o.r.



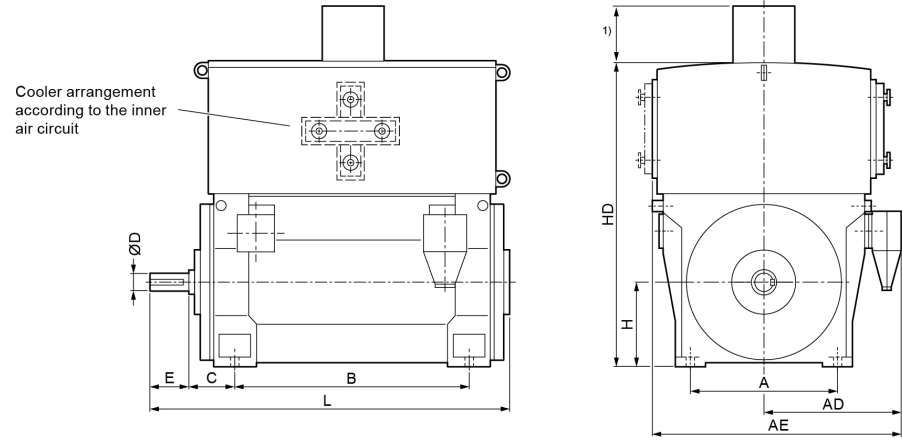
Motor type	Weight	Dimensions										
		A	AD	AE	B	C	D	E	H	HD	L	ML
	kg	mm	mm	mm	mm	mm	mm	mm	mm	mm	mm	mm
Innomotics HV M - 1SL. IC86W 6000 V / 50 Hz B3 (IM 1001) - Dimension drawings												
1SL7 568-4PA60-0CC2	10700	1060	1290	2060	1600	600	190	280	560	2830	2840	o.r.
1SL8 633-4PA60-0CG0	10850	1320	1520	2520	1600	375	200	280	630	3090	2620	o.r.
1SL8 633-4PA60-0CJ0	10950	1320	1520	2520	1600	630	200	280	630	3090	2870	o.r.
1SL8 634-4PA60-0CG0	11300	1320	1520	2520	1600	375	200	280	630	3090	2620	o.r.
1SL8 634-4PA60-0CJ0	11400	1320	1520	2520	1600	630	200	280	630	3090	2870	o.r.
1SL8 637-4PA60-0CG0	12150	1320	1520	2520	1800	375	200	280	630	3090	2820	o.r.
1SL8 637-4PA60-0CJ0	12250	1320	1520	2520	1800	630	200	280	630	3090	3070	o.r.
1SL8 638-4PA60-0CG0	12850	1320	1520	2520	1800	375	200	280	630	3090	2820	o.r.
1SL8 638-4PA60-0CJ0	12950	1320	1520	2520	1800	630	200	280	630	3090	3070	o.r.
1SL8 712-4PA60-0CG0	14750	1500	1620	2720	2000	375	220	280	710	3360	3010	o.r.
1SL8 712-4PA60-0CJ0	14850	1500	1620	2720	2000	630	220	280	710	3360	3260	o.r.
1SL8 713-4PA60-0CG0	15400	1500	1620	2720	2000	375	220	280	710	3360	3010	o.r.
1SL8 713-4PA60-0CJ0	15550	1500	1620	2720	2000	630	220	280	710	3360	3260	o.r.
1SL8 714-4PA60-0CG0	16250	1500	1620	2720	2000	375	220	280	710	3360	3010	o.r.
1SL8 714-4PA60-0CJ0	16350	1500	1620	2720	2000	630	220	280	710	3360	3260	o.r.
1SL8 717-4PA60-0CG0	17350	1500	1620	2720	2240	375	220	280	710	3360	3250	o.r.
1SL8 717-4PA60-0CJ0	17500	1500	1620	2720	2240	630	220	280	710	3360	3500	o.r.
1SL8 718-4PA60-0CG0	17900	1500	1620	2720	2240	375	220	280	710	3360	3250	o.r.
1SL8 718-4PA60-0CJ0	18050	1500	1620	2720	2240	630	220	280	710	3360	3500	o.r.
6-pole												
1SL7 453-6PA60-0AA0	4400	850	925	1545	1180	250	130	200	450	1940	2290	o.r.
1SL7 453-6PA60-0AC0	4450	850	925	1545	1180	500	130	200	450	1940	2540	o.r.
1SL7 453-6PA60-0CA0	4550	850	925	1545	1180	250	130	200	450	1940	2290	o.r.



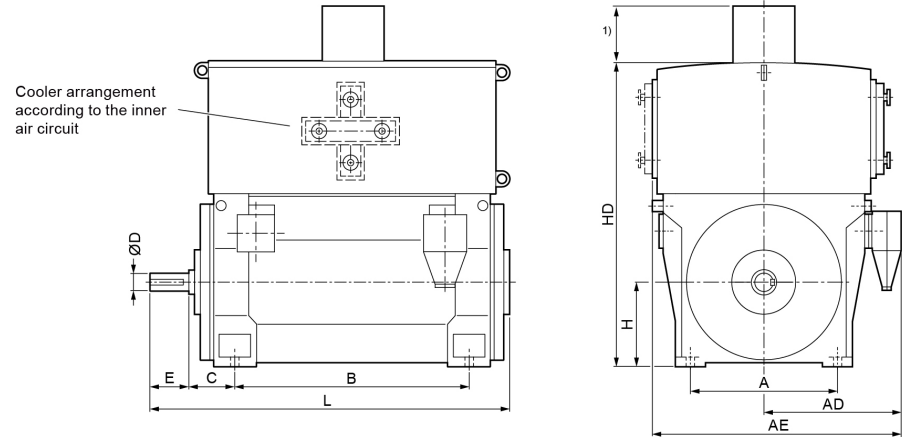
Motor type	Weight	Dimensions										
		A	AD	AE	B	C	D	E	H	HD	L	ML
	kg	mm	mm	mm	mm	mm	mm	mm	mm	mm	mm	mm
Innomotics HV M - 1SL. IC86W 6000 V / 50 Hz B3 (IM 1001) - Dimension drawings												
1SL7 453-6PA60-0CC0	4600	850	925	1545	1180	500	130	200	450	1940	2540	o.r.
1SL7 454-6PA60-0AA0	4600	850	925	1545	1180	250	130	200	450	1940	2290	o.r.
1SL7 454-6PA60-0AC0	4650	850	925	1545	1180	500	130	200	450	1940	2540	o.r.
1SL7 454-6PA60-0CA0	4750	850	925	1545	1180	250	130	200	450	1940	2290	o.r.
1SL7 454-6PA60-0CC0	4800	850	925	1545	1180	500	130	200	450	1940	2540	o.r.
1SL7 457-6PA60-0AA0	5050	850	925	1545	1400	250	130	200	450	1940	2500	o.r.
1SL7 457-6PA60-0AC0	5100	850	925	1545	1400	500	130	200	450	1940	2750	o.r.
1SL7 457-6PA60-0CA0	5250	850	925	1545	1400	250	130	200	450	1940	2500	o.r.
1SL7 457-6PA60-0CC0	5250	850	925	1545	1400	500	130	200	450	1940	2750	o.r.
1SL7 458-6PA60-0AA0	5350	850	925	1545	1400	250	130	200	450	1940	2500	o.r.
1SL7 458-6PA60-0AC0	5350	850	925	1545	1400	500	130	200	450	1940	2750	o.r.
1SL7 458-6PA60-0CA0	5550	850	925	1545	1400	250	130	200	450	1940	2500	o.r.
1SL7 458-6PA60-0CC0	5550	850	925	1545	1400	500	130	200	450	1940	2750	o.r.
1SL7 502-6PA60-0AA2	6000	950	1005	1705	1320	315	160	240	500	2230	2520	o.r.
1SL7 502-6PA60-0AC2	6050	950	1005	1705	1320	560	170	240	500	2230	2760	o.r.
1SL7 502-6PA60-0CA2	6150	950	1005	1705	1320	315	160	240	500	2230	2520	o.r.
1SL7 502-6PA60-0CC2	6200	950	1005	1705	1320	560	170	240	500	2230	2760	o.r.
1SL7 503-6PA60-0AA2	6250	950	1005	1705	1320	315	160	240	500	2230	2520	o.r.
1SL7 503-6PA60-0AC2	6300	950	1005	1705	1320	560	170	240	500	2230	2760	o.r.
1SL7 503-6PA60-0CA2	6450	950	1005	1705	1320	315	160	240	500	2230	2520	o.r.
1SL7 503-6PA60-0CC2	6500	950	1005	1705	1320	560	170	240	500	2230	2760	o.r.
1SL7 504-6PA60-0AA2	6450	950	1005	1705	1320	315	160	240	500	2230	2520	o.r.
1SL7 504-6PA60-0AC2	6500	950	1005	1705	1320	560	170	240	500	2230	2760	o.r.



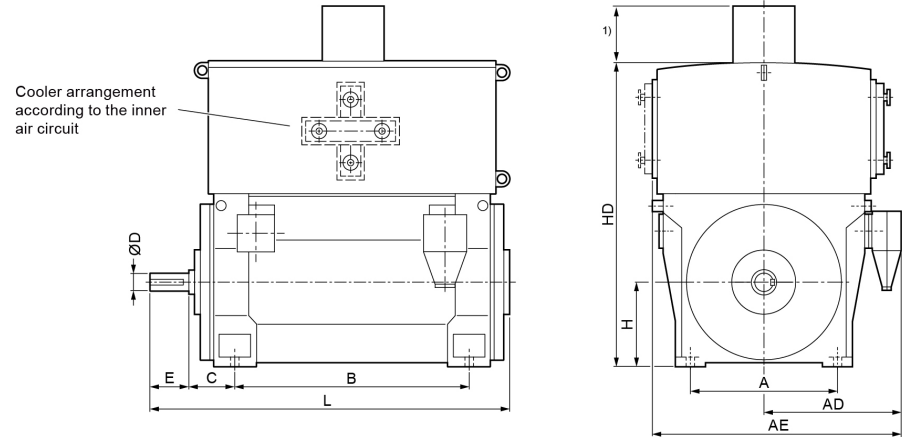
Motor type	Weight	Dimensions										
		A	AD	AE	B	C	D	E	H	HD	L	ML
	kg	mm	mm	mm	mm	mm	mm	mm	mm	mm	mm	mm
Innomotics HV M - 1SL. IC86W 6000 V / 50 Hz B3 (IM 1001) - Dimension drawings												
1SL7 504-6PA60-0CA2	6700	950	1005	1705	1320	315	160	240	500	2230	2520	o.r.
1SL7 504-6PA60-0CC2	6750	950	1005	1705	1320	560	170	240	500	2230	2760	o.r.
1SL7 507-6PA60-0AA2	7150	950	1005	1705	1500	315	160	240	500	2230	2730	o.r.
1SL7 507-6PA60-0AC2	7200	950	1005	1705	1500	560	170	240	500	2230	2970	o.r.
1SL7 507-6PA60-0CA2	7400	950	1005	1705	1500	315	160	240	500	2230	2730	o.r.
1SL7 507-6PA60-0CC2	7500	950	1005	1705	1500	560	170	240	500	2230	2970	o.r.
1SL7 508-6PA60-0AA2	7500	950	1005	1705	1500	315	160	240	500	2230	2730	o.r.
1SL7 508-6PA60-0AC2	7550	950	1005	1705	1500	560	170	240	500	2230	2970	o.r.
1SL7 508-6PA60-0CA2	7750	950	1005	1705	1500	315	160	240	500	2230	2730	o.r.
1SL7 508-6PA60-0CC2	7850	950	1005	1705	1500	560	170	240	500	2230	2970	o.r.
1SL7 562-6PA60-0CA2	8800	1060	1290	2060	1400	335	190	280	560	2680	2770	o.r.
1SL7 562-6PA60-0CC2	8850	1060	1290	2060	1400	600	190	280	560	2680	3030	o.r.
1SL7 563-6PA60-0CA2	9100	1060	1290	2060	1400	335	190	280	560	2680	2770	o.r.
1SL7 563-6PA60-0CC2	9150	1060	1290	2060	1400	600	190	280	560	2680	3030	o.r.
1SL7 564-6PA60-0CA2	9450	1060	1290	2060	1400	335	190	280	560	2680	2770	o.r.
1SL7 564-6PA60-0CC2	9550	1060	1290	2060	1400	600	190	280	560	2680	3030	o.r.
1SL7 567-6PA60-0CA2	10250	1060	1290	2060	1600	335	190	280	560	2680	3000	o.r.
1SL7 567-6PA60-0CC2	10350	1060	1290	2060	1600	600	190	280	560	2680	3260	o.r.
1SL7 568-6PA60-0CA2	10900	1060	1290	2060	1600	335	190	280	560	2680	3000	o.r.
1SL7 568-6PA60-0CC2	10950	1060	1290	2060	1600	600	190	280	560	2680	3260	o.r.
1SL8 632-6PA60-0CG0	10800	1320	1520	2520	1600	375	200	280	630	3090	2620	o.r.
1SL8 632-6PA60-0CJ0	10900	1320	1520	2520	1600	630	200	280	630	3090	2870	o.r.
1SL8 633-6PA60-0CG0	11150	1320	1520	2520	1600	375	200	280	630	3090	2620	o.r.



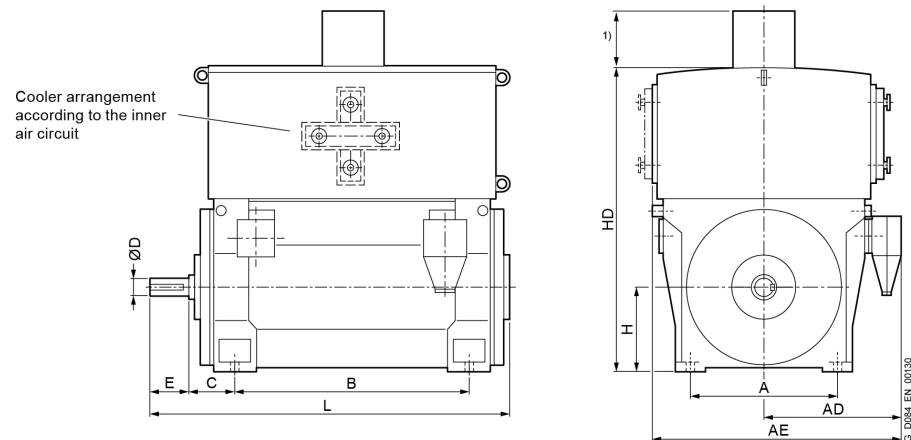
Motor type	Weight	Dimensions										
		A	AD	AE	B	C	D	E	H	HD	L	ML
	kg	mm	mm	mm	mm	mm	mm	mm	mm	mm	mm	mm
Innomotics HV M - 1SL. IC86W 6000 V / 50 Hz B3 (IM 1001) - Dimension drawings												
1SL8 633-6PA60-0CJ0	11250	1320	1520	2520	1600	630	200	280	630	3090	2870	o.r.
1SL8 634-6PA60-0CG0	11750	1320	1520	2520	1600	375	200	280	630	3090	2620	o.r.
1SL8 634-6PA60-0CJ0	11900	1320	1520	2520	1600	630	200	280	630	3090	2870	o.r.
1SL8 637-6PA60-0CG0	12550	1320	1520	2520	1800	375	200	280	630	3090	2820	o.r.
1SL8 637-6PA60-0CJ0	12650	1320	1520	2520	1800	630	200	280	630	3090	3070	o.r.
1SL8 638-6PA60-0CG0	13100	1320	1520	2520	1800	375	200	280	630	3090	2820	o.r.
1SL8 638-6PA60-0CJ0	13200	1320	1520	2520	1800	630	200	280	630	3090	3070	o.r.
1SL8 712-6PA60-0CG0	14550	1500	1620	2720	2000	375	220	280	710	3360	3010	o.r.
1SL8 712-6PA60-0CJ0	14700	1500	1620	2720	2000	630	220	280	710	3360	3260	o.r.
1SL8 713-6PA60-0CG0	15550	1500	1620	2720	2000	375	220	280	710	3360	3010	o.r.
1SL8 713-6PA60-0CJ0	15700	1500	1620	2720	2000	630	220	280	710	3360	3260	o.r.
1SL8 714-6PA60-0CG0	16600	1500	1620	2720	2000	375	220	280	710	3360	3010	o.r.
1SL8 714-6PA60-0CJ0	16750	1500	1620	2720	2000	630	220	280	710	3360	3260	o.r.
1SL8 717-6PA60-0CG0	18000	1500	1620	2720	2240	375	220	280	710	3360	3250	o.r.
1SL8 717-6PA60-0CJ0	18150	1500	1620	2720	2240	630	220	280	710	3360	3500	o.r.
1SL8 718-6PA60-0CG0	18950	1500	1620	2720	2240	375	220	280	710	3360	3250	o.r.
1SL8 718-6PA60-0CJ0	19100	1500	1620	2720	2240	630	220	280	710	3360	3500	o.r.
8-pole												
1SL7 452-8PA60-0AA0	4400	850	925	1545	1180	250	130	200	450	1940	2290	o.r.
1SL7 452-8PA60-0AC0	4400	850	925	1545	1180	500	130	200	450	1940	2540	o.r.
1SL7 452-8PA60-0CA0	4550	850	925	1545	1180	250	130	200	450	1940	2290	o.r.
1SL7 452-8PA60-0CC0	4550	850	925	1545	1180	500	130	200	450	1940	2540	o.r.
1SL7 453-8PA60-0AA0	4600	850	925	1545	1180	250	130	200	450	1940	2290	o.r.



Motor type	Weight	Dimensions										
		A	AD	AE	B	C	D	E	H	HD	L	ML
	kg	mm	mm	mm	mm	mm	mm	mm	mm	mm	mm	mm
Innomotics HV M - 1SL. IC86W 6000 V / 50 Hz B3 (IM 1001) - Dimension drawings												
1SL7 453-8PA60-0AC0	4650	850	925	1545	1180	500	130	200	450	1940	2540	o.r.
1SL7 453-8PA60-0CA0	4750	850	925	1545	1180	250	130	200	450	1940	2290	o.r.
1SL7 453-8PA60-0CC0	4800	850	925	1545	1180	500	130	200	450	1940	2540	o.r.
1SL7 454-8PA60-0AA2	4850	850	925	1545	1180	250	130	200	450	1940	2290	o.r.
1SL7 454-8PA60-0AC2	4850	850	925	1545	1180	500	130	200	450	1940	2540	o.r.
1SL7 454-8PA60-0CA0	5000	850	925	1545	1180	250	130	200	450	1940	2290	o.r.
1SL7 454-8PA60-0CC0	5050	850	925	1545	1180	500	130	200	450	1940	2540	o.r.
1SL7 457-8PA60-0AA0	5350	850	925	1545	1400	250	130	200	450	1940	2500	o.r.
1SL7 457-8PA60-0AC0	5350	850	925	1545	1400	500	130	200	450	1940	2750	o.r.
1SL7 457-8PA60-0CA2	5500	850	925	1545	1400	250	130	200	450	1940	2500	o.r.
1SL7 457-8PA60-0CC2	5550	850	925	1545	1400	500	130	200	450	1940	2750	o.r.
1SL7 458-8PA60-0AA0	5600	850	925	1545	1400	250	130	200	450	1940	2500	o.r.
1SL7 458-8PA60-0AC0	5600	850	925	1545	1400	500	130	200	450	1940	2750	o.r.
1SL7 458-8PA60-0CA0	5800	850	925	1545	1400	250	130	200	450	1940	2500	o.r.
1SL7 458-8PA60-0CC0	5800	850	925	1545	1400	500	130	200	450	1940	2750	o.r.
1SL7 502-8PA60-0AA2	5950	950	1005	1705	1320	315	160	240	500	2230	2520	o.r.
1SL7 502-8PA60-0AC2	6000	950	1005	1705	1320	560	170	240	500	2230	2760	o.r.
1SL7 502-8PA60-0CA2	6150	950	1005	1705	1320	315	160	240	500	2230	2520	o.r.
1SL7 502-8PA60-0CC2	6200	950	1005	1705	1320	560	170	240	500	2230	2760	o.r.
1SL7 503-8PA60-0AA2	6200	950	1005	1705	1320	315	160	240	500	2230	2520	o.r.
1SL7 503-8PA60-0AC2	6250	950	1005	1705	1320	560	170	240	500	2230	2760	o.r.
1SL7 503-8PA60-0CA2	6450	950	1005	1705	1320	315	160	240	500	2230	2520	o.r.
1SL7 503-8PA60-0CC2	6500	950	1005	1705	1320	560	170	240	500	2230	2760	o.r.



Motor type	Weight	Dimensions										
		A	AD	AE	B	C	D	E	H	HD	L	ML
	kg	mm	mm	mm	mm	mm	mm	mm	mm	mm	mm	mm
Innomotics HV M - 1SL. IC86W 6000 V / 50 Hz B3 (IM 1001) - Dimension drawings												
1SL7 504-8PA60-0AA2	6500	950	1005	1705	1320	315	160	240	500	2230	2520	o.r.
1SL7 504-8PA60-0AC2	6550	950	1005	1705	1320	560	170	240	500	2230	2760	o.r.
1SL7 504-8PA60-0CA2	6750	950	1005	1705	1320	315	160	240	500	2230	2520	o.r.
1SL7 504-8PA60-0CC2	6800	950	1005	1705	1320	560	170	240	500	2230	2760	o.r.
1SL7 507-8PA60-0AA2	7200	950	1005	1705	1500	315	160	240	500	2230	2730	o.r.
1SL7 507-8PA60-0AC2	7250	950	1005	1705	1500	560	170	240	500	2230	2970	o.r.
1SL7 507-8PA60-0CA2	7450	950	1005	1705	1500	315	160	240	500	2230	2730	o.r.
1SL7 507-8PA60-0CC2	7500	950	1005	1705	1500	560	170	240	500	2230	2970	o.r.
1SL7 508-8PA60-0AA2	7500	950	1005	1705	1500	315	160	240	500	2230	2730	o.r.
1SL7 508-8PA60-0AC2	7550	950	1005	1705	1500	560	170	240	500	2230	2970	o.r.
1SL7 508-8PA60-0CA2	7800	950	1005	1705	1500	315	160	240	500	2230	2730	o.r.
1SL7 508-8PA60-0CC2	7850	950	1005	1705	1500	560	170	240	500	2230	2970	o.r.
1SL7 563-8PA60-0CA2	8800	1060	1075	1845	1400	335	190	280	560	2680	2770	o.r.
1SL7 563-8PA60-0CC2	8850	1060	1075	1845	1400	600	190	280	560	2680	3030	o.r.
1SL7 564-8PA60-0CA2	9250	1060	1075	1845	1400	335	190	280	560	2680	2770	o.r.
1SL7 564-8PA60-0CC2	9300	1060	1075	1845	1400	600	190	280	560	2680	3030	o.r.
1SL7 567-8PA60-0CA2	10100	1060	1075	1845	1600	335	190	280	560	2680	3000	o.r.
1SL7 567-8PA60-0CC2	10150	1060	1075	1845	1600	600	190	280	560	2680	3260	o.r.
1SL7 568-8PA60-0CA2	10650	1060	1075	1845	1600	335	190	280	560	2680	3000	o.r.
1SL7 568-8PA60-0CC2	10700	1060	1075	1845	1600	600	190	280	560	2680	3260	o.r.
1SL8 633-8PA60-0CG0	10000	1320	1520	2520	1600	375	200	280	630	3090	2620	o.r.
1SL8 633-8PA60-0CJ0	10100	1320	1520	2520	1600	630	200	280	630	3090	2870	o.r.
1SL8 634-8PA60-0CG0	10750	1320	1520	2520	1600	375	200	280	630	3090	2620	o.r.



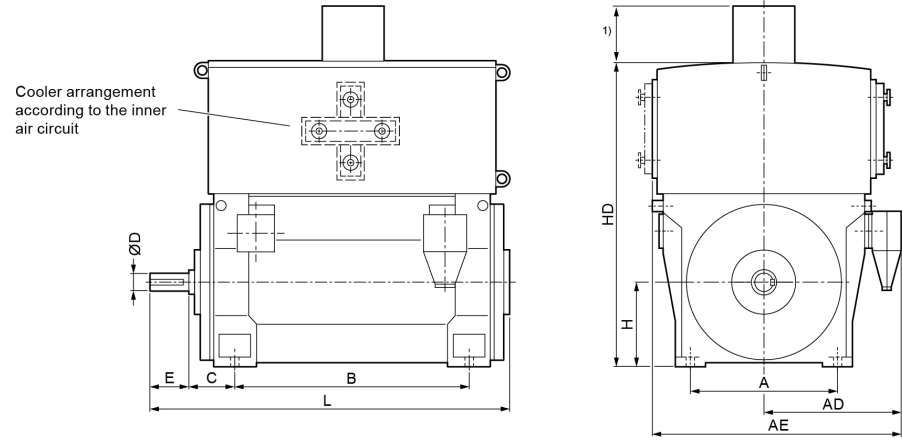
Motor type	Weight	Dimensions											
		A	AD	AE	B	C	D	E	H	HD	L	ML	
	kg	mm	mm	mm	mm	mm	mm	mm	mm	mm	mm	mm	mm
Innomotics HV M - 1SL. IC86W 6000 V / 50 Hz B3 (IM 1001) - Dimension drawings													
1SL8 634-8PA60-0CJ0	10850	1320	1520	2520	1600	630	200	280	630	3090	2870	o.r.	
1SL8 637-8PA60-0CG0	11950	1320	1520	2520	1800	375	200	280	630	3090	2820	o.r.	
1SL8 637-8PA60-0CJ0	12050	1320	1520	2520	1800	630	200	280	630	3090	3070	o.r.	
1SL8 638-8PA60-0CG0	12650	1320	1520	2520	1800	375	200	280	630	3090	2820	o.r.	
1SL8 638-8PA60-0CJ0	12750	1320	1520	2520	1800	630	200	280	630	3090	3070	o.r.	
1SL8 712-8PA60-0CG0	14100	1500	1620	2720	2000	375	220	280	710	3270	3010	o.r.	
1SL8 712-8PA60-0CJ0	14300	1500	1620	2720	2000	630	220	280	710	3270	3260	o.r.	
1SL8 713-8PA60-0CG0	14850	1500	1620	2720	2000	375	220	280	710	3270	3010	o.r.	
1SL8 713-8PA60-0CJ0	15000	1500	1620	2720	2000	630	220	280	710	3270	3260	o.r.	
1SL8 714-8PA60-0CG0	16050	1500	1620	2720	2000	375	220	280	710	3270	3010	o.r.	
1SL8 714-8PA60-0CJ0	16250	1500	1620	2720	2000	630	220	280	710	3270	3260	o.r.	
1SL8 717-8PA60-0CG0	17650	1500	1620	2720	2240	375	220	280	710	3270	3250	o.r.	
1SL8 717-8PA60-0CJ0	17850	1500	1620	2720	2240	630	220	280	710	3270	3500	o.r.	
1SL8 718-8PA60-0CG0	18650	1500	1620	2720	2240	375	220	280	710	3270	3250	o.r.	
1SL8 718-8PA60-0CJ0	18850	1500	1620	2720	2240	630	220	280	710	3270	3500	o.r.	

Innomotics HV M - 1SL IC86W 6600 V / 60 Hz B3 (IM 1001)																		
Rated power IEC	Article No.	Speed	Rated current I_R	Efficiency				Power factor				Torque T_R	Breakdown torque T_B/ T_R	Locked rotor torque T_{LR}/ T_R	Locked rotor current I_{LR}/ I_R	Inertia		
				5/4 load	4/4 load	3/4 load	2/4 load	5/4 load	4/4 load	3/4 load	2/4 load					motor	external	Startup max T/TR
kW		rpm	A	%	%	%	%	cos φ	cos φ	cos φ	cos φ	Nm	[-]	[-]	[-]	kgm ²	kgm ²	[-]
2-pole: n_{sync} = 3600 rpm at 60 Hz																		
1760	1SL7 452-2PA10-0C.0	3572	182	95.5	96.1	96.2	95.8	0.86	0.88	0.88	0.87	4705	2.00	0.50	4.5	13	80	o.r.
2000	1SL7 453-2PA10-0A.0	3574	210	95.7	96.3	96.4	95.9	0.85	0.87	0.85	0.81	5344	2.05	0.40	5.0	10	15	o.r.
2050	1SL7 453-2PA10-0C.0	3572	210	95.6	96.3	96.3	95.9	0.86	0.88	0.88	0.87	5480	2.00	0.50	4.5	14	80	o.r.
2150	1SL7 454-2PA10-0A.0	3575	220	95.8	96.4	96.5	96.1	0.87	0.88	0.87	0.83	5743	2.20	0.50	5.1	11	20	o.r.
2200	1SL7 454-2PA10-0C.0	3573	225	95.8	96.4	96.4	96.1	0.88	0.89	0.90	0.88	5880	2.10	0.50	5.0	15	85	o.r.
2400	1SL7 457-2PA10-0A.0	3575	245	96.0	96.5	96.6	96.1	0.86	0.88	0.87	0.83	6411	2.20	0.50	5.2	12	20	o.r.
2450	1SL7 457-2PA10-0C.0	3574	250	95.9	96.5	96.6	96.2	0.87	0.89	0.89	0.88	6546	2.10	0.50	5.0	16	90	o.r.
2550	1SL7 458-2PA10-0A.0	3576	255	96.1	96.7	96.8	96.4	0.88	0.90	0.89	0.86	6809	2.30	0.55	5.5	13	25	o.r.
2600	1SL7 458-2PA10-0C.0	3574	260	96.1	96.6	96.8	96.4	0.89	0.91	0.91	0.90	6947	2.25	0.60	5.2	17	95	o.r.
3150	1SL7 503-2PA10-0C.0	3573	325	96.2	96.6	96.8	96.6	0.87	0.88	0.89	0.86	8419	2.15	0.60	4.2	20	62	o.r.
3400	1SL7 504-2PA10-0C.0	3573	350	96.3	96.7	96.9	96.7	0.87	0.88	0.89	0.84	9087	2.15	0.60	4.2	21	58	o.r.
3800	1SL7 507-2PA10-0C.0	3574	385	96.5	96.9	97.1	96.9	0.88	0.89	0.90	0.87	10153	2.20	0.65	4.4	24	64	o.r.
4200	1SL7 508-2PA10-0C.0	3578	420	96.8	97.1	97.2	96.9	0.90	0.90	0.90	0.86	11209	2.55	0.70	5.3	27	74	o.r.
4910	1SL7 562-2PA10-0CC0	3578	500	96.3	96.7	96.8	96.4	0.85	0.88	0.88	0.86	13104	2.00	0.50	4.6	41	145	o.r.
5730	1SL7 564-2PA10-0CC0	3581	590	96.5	96.9	96.9	96.4	0.86	0.88	0.88	0.86	15280	2.15	0.50	4.9	47	160	o.r.
6010	1SL7 567-2PA10-0CC0	3581	600	96.6	97.0	97.0	96.6	0.88	0.90	0.90	0.88	16027	2.30	0.50	5.2	52	180	o.r.
6960	1SL7 568-2PA10-0CC0	3583	700	96.9	97.2	97.2	96.8	0.88	0.90	0.89	0.87	18550	2.35	0.55	5.4	58	185	o.r.
7500	1SL8 632-2PA10-0CJ0	3579	780	96.5	97.0	96.8	96.1	0.84	0.87	0.88	0.88	20011	1.85	0.45	4.4	75	120	o.r.
8350	1SL8 633-2PA10-0CJ0	3580	850	96.7	97.1	96.9	96.3	0.85	0.88	0.89	0.89	22273	1.90	0.50	4.6	82	120	o.r.
9200	1SL8 634-2PA10-0CJ0	3580	930	97.0	97.3	97.1	96.4	0.87	0.89	0.90	0.89	24540	2.10	0.50	5.0	90	120	o.r.
10400	1SL8 637-2PA10-0CJ0	3581	1040	97.0	97.4	97.2	96.6	0.87	0.90	0.90	0.90	27733	2.10	0.55	5.0	99	100	o.r.
11550	1SL8 638-2PA10-0CJ0	3582	1160	97.2	97.5	97.3	96.8	0.88	0.90	0.91	0.90	30791	2.15	0.55	5.2	108	100	o.r.
12400	1SL8 713-2PA10-0CJ0	3584	1260	96.8	97.0	96.8	96.1	0.85	0.89	0.89	0.89	33039	1.80	0.40	4.1	160	50	o.r.
13700	1SL8 714-2PA10-0CJ0	3585	1360	97.1	97.2	97.0	96.3	0.88	0.90	0.90	0.90	36492	1.95	0.50	4.7	173	40	o.r.
15300	1SL8 716-2PA10-0CJ0	3585	1520	97.2	97.3	97.1	96.4	0.88	0.90	0.90	0.90	40754	2.00	0.55	4.8	186	30	o.r.
16000	1SL8 717-2PA10-0CJ0	3586	1580	97.3	97.4	97.1	96.4	0.89	0.91	0.91	0.90	42607	2.15	0.40	5.0	202	30	o.r.
4-pole: n_{sync} = 1800 rpm at 60 Hz																		
1850	1SL7 453-4PA10-0A.0	1779	194	95.2	96.0	96.4	96.3	0.86	0.87	0.85	0.80	9930	2.10	0.55	5.0	17	150	o.r.
1930	1SL7 453-4PA10-0C.0	1782	200	95.4	96.2	96.5	96.4	0.86	0.87	0.85	0.80	10342	2.05	0.45	4.5	23	270	o.r.
2030	1SL7 454-4PA10-0A.0	1781	210	95.5	96.2	96.5	96.4	0.87	0.88	0.85	0.79	10884	2.25	0.65	5.2	19	185	o.r.
2110	1SL7 454-4PA10-0C.0	1783	220	95.6	96.3	96.6	96.6	0.87	0.88	0.87	0.82	11301	2.05	0.45	4.5	25	300	o.r.
2350	1SL7 457-4PA10-0A.0	1782	240	95.9	96.5	96.7	96.6	0.88	0.88	0.86	0.79	12593	2.45	0.75	5.8	22	245	o.r.
2450	1SL7 457-4PA10-0C.0	1785	250	96.0	96.6	96.9	96.7	0.88	0.89	0.87	0.82	13107	2.20	0.50	5.0	30	385	o.r.
2550	1SL7 458-4PA10-0A.0	1782	260	96.0	96.6	96.8	96.7	0.88	0.89	0.87	0.81	13665	2.45	0.75	5.8	24	250	o.r.
2700	1SL7 458-4PA10-0C.0	1786	275	96.2	96.8	97.0	96.8	0.88	0.89	0.87	0.81	14436	2.35	0.55	5.2	32	415	o.r.
3050	1SL7 503-4PA10-0A.0	1784	315	96.2	96.8	97.1	97.0	0.86	0.87	0.87	0.83	16326	2.15	0.65	4.7	37	370	o.r.

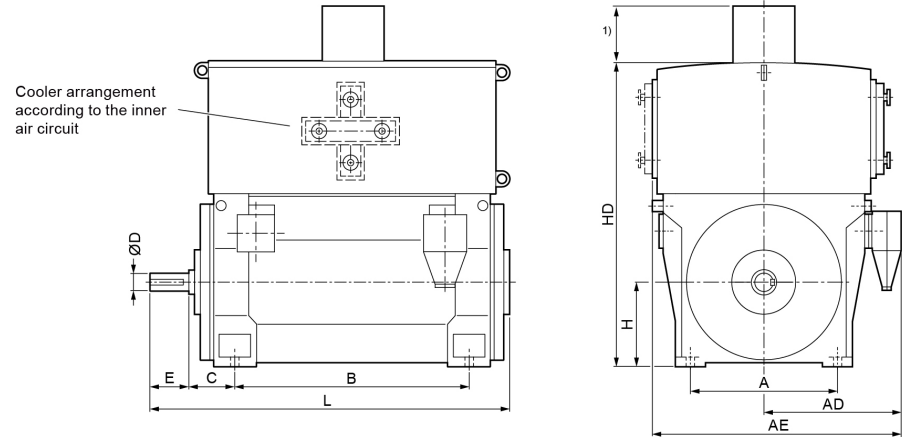
Innomotics HV M - 1SL IC86W 6600 V / 60 Hz B3 (IM 1001)																		
Rated power IEC	Article No.	Speed	Rated current I_R	Efficiency				Power factor				Torque T_R	Breakdown torque T_B/ T_R	Locked rotor torque T_{LR}/ T_R	Locked rotor current I_{LR}/ I_R	Inertia		
				5/4 load	4/4 load	3/4 load	2/4 load	5/4 load	4/4 load	3/4 load	2/4 load					motor	external	Startup max T/TR
kW		rpm	A	%	%	%	%	$\cos \varphi$	$\cos \varphi$	$\cos \varphi$	$\cos \varphi$	Nm	[-]	[-]	[-]	kgm ²	kgm ²	[-]
3000	1SL7 503-4PA10-0C.0	1786	310	96.4	96.9	97.2	97.0	0.87	0.88	0.87	0.84	16040	2.10	0.50	4.4	45	235	o.r.
3400	1SL7 504-4PA10-0A.0	1784	350	96.4	96.9	97.2	97.1	0.87	0.88	0.87	0.82	18199	2.25	0.70	5.0	40	480	o.r.
3450	1SL7 504-4PA10-0C.0	1786	350	96.5	97.0	97.3	97.1	0.87	0.89	0.87	0.84	18446	2.20	0.50	4.5	50	550	o.r.
3750	1SL7 507-4PA10-0A.0	1786	385	96.6	97.0	97.3	97.0	0.87	0.88	0.86	0.80	20050	2.40	0.80	5.4	46	415	o.r.
3800	1SL7 507-4PA10-0C.0	1788	385	96.7	97.1	97.3	97.1	0.88	0.89	0.87	0.83	20295	2.40	0.55	5.0	56	465	o.r.
4000	1SL7 508-4PA10-0A.0	1786	405	96.7	97.1	97.3	97.1	0.88	0.89	0.87	0.82	21387	2.60	0.90	5.8	50	405	o.r.
4100	1SL7 508-4PA10-0C.0	1788	415	96.8	97.2	97.4	97.1	0.88	0.89	0.88	0.83	21897	2.45	0.60	5.1	62	440	o.r.
4400	1SL7 563-4PA10-0C.0	1789	450	96.8	97.2	97.5	97.3	0.86	0.88	0.88	0.85	23486	2.00	0.55	4.8	80	470	o.r.
5000	1SL7 564-4PA10-0C.0	1790	505	97.0	97.3	97.6	97.4	0.88	0.89	0.89	0.86	26674	2.15	0.65	5.2	90	520	o.r.
5650	1SL7 566-4PA10-0C.0	1789	564	97.0	97.4	97.7	97.6	0.88	0.90	0.89	0.87	30158	2.10	0.60	5.1	100	565	o.r.
6300	1SL7 567-4PA10-0C.0	1789	628	97.1	97.5	97.8	97.7	0.88	0.90	0.90	0.88	33628	2.10	0.60	5.1	110	610	o.r.
7100	1SL7 568-4PA10-0C.0	1789	707	97.2	97.6	97.9	97.8	0.88	0.90	0.90	0.89	37898	2.00	0.60	4.9	119	640	o.r.
7800	1SL8 633-4PA10-0C.0	1789	790	97.0	97.4	97.5	97.3	0.87	0.89	0.88	0.85	41635	2.05	0.50	5.0	151	310	o.r.
8950	1SL8 634-4PA10-0C.0	1789	900	97.1	97.5	97.7	97.5	0.87	0.89	0.88	0.86	47773	2.05	0.50	5.0	166	310	o.r.
10100	1SL8 637-4PA10-0C.0	1790	1020	97.3	97.6	97.7	97.5	0.87	0.89	0.88	0.85	53882	2.10	0.50	5.0	182	330	o.r.
10750	1SL8 638-4PA10-0C.0	1790	1060	97.2	97.7	97.8	97.7	0.87	0.90	0.90	0.88	57349	2.10	0.50	5.0	198	370	o.r.
11100	1SL8 712-4PA10-0C.0	1791	1120	97.4	97.6	97.7	97.4	0.88	0.89	0.88	0.85	59183	2.30	0.50	5.3	259	380	o.r.
12150	1SL8 713-4PA10-0C.0	1791	1220	97.5	97.7	97.8	97.5	0.88	0.89	0.89	0.85	64782	2.40	0.50	5.7	284	410	o.r.
13500	1SL8 714-4PA10-0C.0	1791	1340	97.5	97.8	97.8	97.6	0.88	0.90	0.89	0.86	71980	2.40	0.50	5.7	312	420	o.r.
15000	1SL8 717-4PA10-0C.0	1791	1500	97.5	97.8	97.9	97.6	0.89	0.90	0.90	0.86	79977	2.40	0.50	5.8	346	460	o.r.
15400	1SL8 718-4PA10-0C.0	1791	1520	97.6	97.8	97.9	97.7	0.90	0.91	0.91	0.88	82110	2.45	0.55	5.9	365	500	o.r.
6-pole: $n_{sync} = 1200$ rpm at 60 Hz																		
1420	1SL7 452-6PA10-0A.0	1187	158	94.9	95.7	96.0	96.0	0.82	0.82	0.78	0.68	11424	2.10	0.70	5.0	20	480	o.r.
1580	1SL7 453-6PA10-0A.0	1187	174	95.1	95.9	96.2	96.3	0.82	0.83	0.79	0.70	12711	2.10	0.70	5.0	22	595	o.r.
1600	1SL7 453-6PA10-0C.0	1187	172	95.0	95.9	96.3	96.4	0.83	0.85	0.83	0.77	12872	2.00	0.55	4.5	30	790	o.r.
1720	1SL7 454-6PA10-0A.0	1188	186	95.2	96.0	96.3	96.4	0.83	0.84	0.80	0.71	13826	2.10	0.70	5.0	24	640	o.r.
1750	1SL7 454-6PA10-0C.0	1187	188	95.1	96.0	96.4	96.5	0.84	0.85	0.83	0.78	14079	2.00	0.55	4.5	33	835	o.r.
1880	1SL7 457-6PA10-0A.0	1188	200	95.3	96.1	96.5	96.5	0.83	0.85	0.82	0.74	15112	2.10	0.70	5.0	28	710	o.r.
1900	1SL7 457-6PA10-0C.0	1187	200	95.3	96.1	96.5	96.6	0.84	0.86	0.84	0.79	15285	2.05	0.55	4.6	36	950	o.r.
2070	1SL7 458-6PA10-0A.0	1189	220	95.6	96.3	96.6	96.6	0.84	0.85	0.81	0.73	16625	2.20	0.80	5.4	31	780	o.r.
2100	1SL7 458-6PA10-0C.0	1189	220	95.6	96.3	96.7	96.7	0.85	0.87	0.85	0.79	16866	2.20	0.65	5.0	41	990	o.r.
2520	1SL7 503-6PA10-0A.0	1189	270	95.9	96.5	96.9	96.8	0.83	0.84	0.81	0.73	20239	2.15	0.80	4.6	46	1200	o.r.
2440	1SL7 503-6PA10-0C.0	1191	260	96.1	96.7	97.0	96.9	0.84	0.85	0.83	0.77	19564	2.15	0.70	4.4	60	1250	o.r.
2820	1SL7 504-6PA10-0A.0	1190	305	96.1	96.7	96.9	96.9	0.83	0.83	0.79	0.70	22629	2.25	0.90	4.7	51	1350	o.r.
2860	1SL7 504-6PA10-0C.0	1191	305	96.3	96.8	97.1	97.0	0.84	0.85	0.82	0.76	22931	2.15	0.70	4.3	66	1400	o.r.
3050	1SL7 507-6PA10-0A.0	1190	330	96.3	96.8	97.1	97.0	0.83	0.84	0.80	0.71	24475	2.30	0.85	4.9	58	1500	o.r.
3140	1SL7 507-6PA10-0C.0	1191	335	96.4	97.0	97.2	97.1	0.84	0.85	0.83	0.77	25176	2.15	0.65	4.4	74	1550	o.r.

Innomotics HV M - 1SL IC86W 6600 V / 60 Hz B3 (IM 1001)																		
Rated power IEC	Article No.	Speed	Rated current I_R	Efficiency				Power factor				Torque T_R	Breakdown torque T_B/ T_R	Locked rotor torque T_{LR}/ T_R	Locked rotor current I_{LR}/ I_R	Inertia		
				5/4 load	4/4 load	3/4 load	2/4 load	5/4 load	4/4 load	3/4 load	2/4 load					motor	external	Startup max T/TR
kW		rpm	A	%	%	%	%	cos φ	cos φ	cos φ	cos φ	Nm	[-]	[-]	[-]	kgm ²	kgm ²	[-]
3250	1SL7 508-6PA10-0C.0	1192	340	96.5	97.0	97.2	97.2	0.85	0.86	0.84	0.78	26036	2.20	0.75	4.5	81	1650	o.r.
3160	1SL7 508-6PA10-0A.0	1189	330	96.3	96.8	97.2	97.2	0.84	0.86	0.85	0.79	25379	2.15	0.85	4.7	63	1600	o.r.
4000	1SL7 562-6PA10-0C.0	1191	425	96.4	96.9	97.1	96.9	0.84	0.85	0.84	0.79	32072	2.20	0.60	4.8	105	1140	o.r.
3550	1SL7 562-6PA10-0H.0	1192	375	96.4	96.9	97.0	96.8	0.85	0.86	0.85	0.81	28440	2.25	0.60	5.0	105	1180	o.r.
4650	1SL7 567-6PA10-0C.0	1192	480	96.6	97.1	97.3	97.2	0.85	0.87	0.86	0.82	37252	2.25	0.60	5.0	134	1490	o.r.
5100	1SL7 568-6PA10-0C.0	1193	530	96.9	97.3	97.4	97.3	0.86	0.87	0.86	0.82	40823	2.35	0.65	5.2	150	1930	o.r.
5900	1SL8 632-6PA10-0C.0	1191	620	96.7	97.1	97.3	97.0	0.84	0.86	0.83	0.77	47305	2.10	0.50	4.8	193	1120	o.r.
6650	1SL8 633-6PA10-0C.0	1191	700	96.8	97.2	97.4	97.1	0.84	0.86	0.83	0.77	53319	2.10	0.53	4.8	209	1110	o.r.
7150	1SL8 634-6PA10-0C.0	1191	740	96.8	97.3	97.4	97.2	0.85	0.87	0.84	0.78	57328	2.10	0.54	4.8	227	1250	o.r.
7800	1SL8 637-6PA10-0C.0	1191	810	96.9	97.3	97.5	97.3	0.85	0.87	0.85	0.79	62539	2.10	0.55	4.8	247	1350	o.r.
8350	1SL8 638-6PA10-0C.0	1191	860	97.0	97.4	97.5	97.3	0.85	0.87	0.85	0.79	66949	2.15	0.56	4.9	265	1490	o.r.
8900	1SL8 712-6PA10-0C.0	1193	930	97.2	97.6	97.7	97.5	0.85	0.86	0.85	0.79	71240	2.15	0.50	5.1	331	1270	o.r.
9750	1SL8 713-6PA10-0C.0	1194	1000	97.3	97.6	97.7	97.5	0.85	0.87	0.84	0.78	77978	2.30	0.55	5.4	374	1550	o.r.
10800	1SL8 714-6PA10-0C.0	1194	1100	97.3	97.7	97.8	97.5	0.86	0.88	0.85	0.80	86376	2.30	0.55	5.4	424	1780	o.r.
12000	1SL8 717-6PA10-0C.0	1194	1220	97.4	97.7	97.9	97.6	0.87	0.88	0.86	0.80	95973	2.35	0.60	5.5	478	2080	o.r.
13000	1SL8 718-6PA10-0C.0	1194	1320	97.5	97.8	97.9	97.6	0.87	0.88	0.86	0.80	103971	2.45	0.60	5.5	524	2300	o.r.
8-pole: $n_{sync} = 900$ rpm at 60 Hz																		
1040	1SL7 452-8PA10-0A.0	889	120	94.3	95.3	95.6	95.3	0.79	0.80	0.75	0.64	11171	1.80	0.55	4.5	25	1150	o.r.
1110	1SL7 452-8PA10-0C.0	889	126	94.2	95.2	95.6	95.4	0.80	0.81	0.78	0.68	11923	1.85	0.50	4.5	32	1510	o.r.
1130	1SL7 453-8PA10-0A.0	889	128	94.5	95.5	95.8	95.6	0.79	0.81	0.77	0.67	12138	1.80	0.55	4.5	28	1180	o.r.
1220	1SL7 453-8PA10-0C.0	889	136	94.4	95.5	95.9	95.8	0.80	0.82	0.79	0.71	13105	1.85	0.50	4.5	36	1600	o.r.
1250	1SL7 454-8PA10-0A.0	890	142	94.5	95.5	95.8	95.6	0.80	0.81	0.77	0.66	13412	1.85	0.55	4.5	31	1200	o.r.
1300	1SL7 454-8PA10-0C.0	890	144	94.6	95.5	95.8	95.6	0.82	0.83	0.79	0.69	13948	2.00	0.55	4.5	40	1650	o.r.
1400	1SL7 457-8PA10-0A.0	890	158	94.8	95.7	96.0	95.7	0.80	0.81	0.77	0.66	15021	1.90	0.60	4.5	35	1740	o.r.
1460	1SL7 457-8PA10-0C.0	890	160	94.9	95.7	96.0	95.8	0.82	0.83	0.79	0.69	15665	2.05	0.55	5.0	45	2200	o.r.
1530	1SL7 458-8PA10-0A.0	890	172	94.9	95.8	96.1	95.8	0.80	0.81	0.77	0.67	16416	1.90	0.60	4.5	39	1950	o.r.
1570	1SL7 458-8PA10-0C.0	891	172	95.1	95.9	96.1	95.9	0.82	0.83	0.79	0.70	16826	2.15	0.55	5.0	50	2250	o.r.
1680	1SL7 502-8PA10-0C.0	891	188	95.5	96.2	96.7	96.7	0.80	0.81	0.80	0.73	18005	2.00	0.45	3.7	59	2620	o.r.
1800	1SL7 503-8PA10-0A.0	893	205	95.8	96.3	96.6	96.3	0.80	0.80	0.75	0.65	19248	2.15	0.75	4.3	51	2100	o.r.
1830	1SL7 503-8PA10-0C.0	892	205	95.8	96.4	96.7	96.6	0.81	0.82	0.79	0.70	19591	2.15	0.55	4.0	65	2720	o.r.
2000	1SL7 504-8PA10-0A.0	893	225	96.0	96.5	96.7	96.5	0.81	0.81	0.76	0.67	21387	2.15	0.75	4.3	56	2450	o.r.
2040	1SL7 504-8PA10-0C.0	892	225	95.9	96.5	96.8	96.7	0.81	0.83	0.79	0.71	21839	2.15	0.55	4.0	72	3080	o.r.
2200	1SL7 507-8PA10-0A.0	893	245	96.1	96.6	96.8	96.6	0.81	0.81	0.77	0.67	23526	2.15	0.75	4.4	63	2710	o.r.
2280	1SL7 507-8PA10-0C.0	892	250	96.0	96.6	96.9	96.8	0.82	0.83	0.80	0.72	24409	2.15	0.55	4.1	80	3310	o.r.
2480	1SL7 508-8PA10-0A.0	893	280	96.1	96.6	96.8	96.5	0.81	0.80	0.75	0.65	26520	2.25	0.80	4.5	69	2550	o.r.
2550	1SL7 508-8PA10-0C.0	893	280	96.1	96.6	96.9	96.8	0.82	0.83	0.79	0.70	27268	2.25	0.60	4.2	88	3150	o.r.
2800	1SL7 563-8PA10-0C.0	894	310	96.1	96.5	96.9	96.6	0.82	0.82	0.80	0.73	29908	2.10	0.55	4.6	124	2530	o.r.

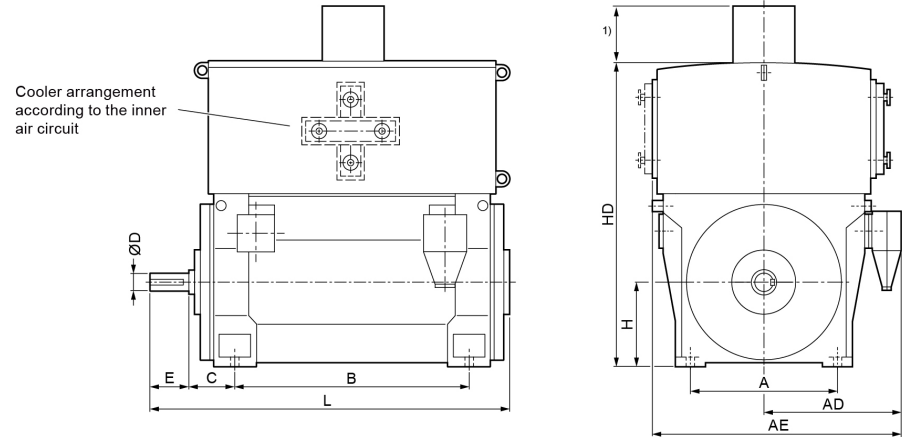
Innomotics HV M - 1SL, IC86W 6600 V / 60 Hz B3 (IM 1001)																		
Rated power IEC	Article No.	Speed	Rated current I_R	Efficiency				Power factor				Torque T_R	Breakdown torque T_B / T_R	Locked torque T_{LR} / T_R	rotor Locked current I_{LR} / I_R	Inertia		
				5/4 load	4/4 load	3/4 load	2/4 load	5/4 load	4/4 load	3/4 load	2/4 load					motor	external	Startup max T/TR
kW		rpm	A	%	%	%	%	$\cos \varphi$	$\cos \varphi$	$\cos \varphi$	$\cos \varphi$	Nm	[-]	[-]	[-]	kgm ²	kgm ²	[-]
3150	1SL7 564-8PA10-0C.0	894	350	96.3	96.7	97.0	96.7	0.82	0.82	0.79	0.72	33647	2.20	0.60	4.8	137	3005	o.r.
3550	1SL7 567-8PA10-0C.0	893	390	96.3	96.7	97.1	96.9	0.82	0.82	0.81	0.75	37962	2.05	0.55	4.5	150	3015	o.r.
4000	1SL7 568-8PA10-0C.0	894	440	96.5	96.8	97.2	97.0	0.82	0.82	0.81	0.74	42726	2.05	0.55	4.6	165	3725	o.r.
4050	1SL8 633-8PA10-0C.0	892	430	95.8	96.4	96.5	96.2	0.84	0.85	0.82	0.75	43357	1.90	0.40	4.1	216	2690	o.r.
4850	1SL8 634-8PA10-0C.0	892	520	96.0	96.6	96.7	96.4	0.84	0.85	0.82	0.76	51922	1.90	0.40	4.1	251	2950	o.r.
5400	1SL8 637-8PA10-0C.0	893	570	96.4	96.8	96.8	96.4	0.85	0.86	0.82	0.75	57745	2.05	0.40	4.5	292	3640	o.r.
5700	1SL8 638-8PA10-0C.0	894	600	96.5	96.9	96.9	96.5	0.85	0.86	0.82	0.75	60885	2.15	0.50	5.0	326	4290	o.r.
6100	1SL8 712-8PA10-0C.0	895	640	96.6	97.0	96.9	96.6	0.86	0.86	0.82	0.74	65085	2.30	0.55	5.0	422	3590	o.r.
6900	1SL8 713-8PA10-0C.0	895	720	96.8	97.1	97.0	96.6	0.86	0.86	0.82	0.74	73620	2.40	0.55	5.1	474	4020	o.r.
7900	1SL8 714-8PA10-0C.0	895	820	96.9	97.2	97.1	96.7	0.87	0.87	0.82	0.74	84290	2.50	0.60	5.3	542	4540	o.r.
9250	1SL8 717-8PA10-0C.0	895	960	97.1	97.3	97.3	96.8	0.87	0.87	0.82	0.74	98694	2.45	0.55	5.3	620	4970	o.r.
10000	1SL8 718-8PA10-0C.0	895	1040	97.2	97.4	97.3	96.9	0.87	0.87	0.83	0.74	106696	2.55	0.55	5.5	684	5590	o.r.



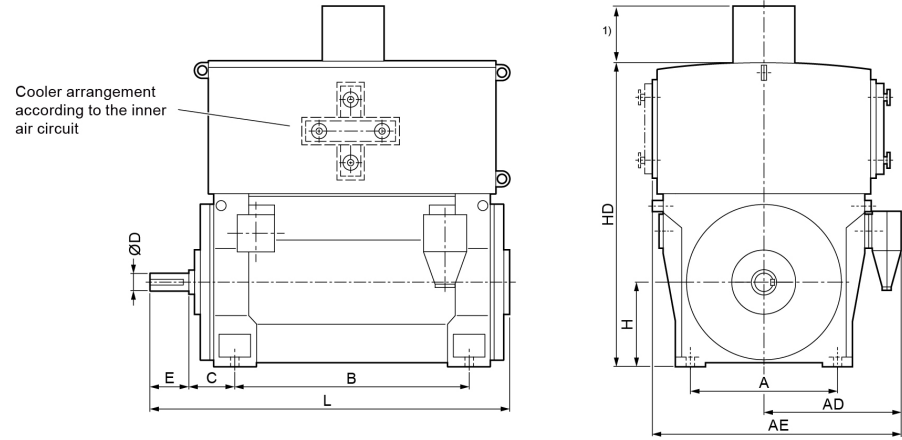
Motor type	Weight	Dimensions										
		A	AD	AE	B	C	D	E	H	HD	L	ML
	kg	mm	mm	mm	mm	mm	mm	mm	mm	mm	mm	mm
Innomotics HV M - 1SL. IC86W 6600 V / 60 Hz B3 (IM 1001) - Dimension drawings												
2-pole												
1SL7 452-2PA10-0CA0	4400	850	925	1545	1180	250	95	130	450	2350	1790	o.r.
1SL7 452-2PA10-0CC0	4300	850	925	1545	1180	475	95	130	450	2350	2010	o.r.
1SL7 453-2PA10-0AA0	4400	850	925	1545	1180	250	95	130	450	2350	1790	o.r.
1SL7 453-2PA10-0AC0	4300	850	925	1545	1180	475	95	130	450	2350	2010	o.r.
1SL7 453-2PA10-0CA0	4550	850	925	1545	1180	250	95	130	450	2350	1790	o.r.
1SL7 453-2PA10-0CC0	4450	850	925	1545	1180	475	95	130	450	2350	2010	o.r.
1SL7 454-2PA10-0AA0	4500	850	925	1545	1180	250	95	130	450	2350	1790	o.r.
1SL7 454-2PA10-0AC0	4400	850	925	1545	1180	475	95	130	450	2350	2010	o.r.
1SL7 454-2PA10-0CA0	4650	850	925	1545	1180	250	95	130	450	2350	1790	o.r.
1SL7 454-2PA10-0CC0	4550	850	925	1545	1180	475	95	130	450	2350	2010	o.r.
1SL7 457-2PA10-0AA0	4900	850	925	1545	1400	250	95	130	450	2350	2000	o.r.
1SL7 457-2PA10-0AC0	4800	850	925	1545	1400	475	95	130	450	2350	2220	o.r.
1SL7 457-2PA10-0CA0	5050	850	925	1545	1400	250	95	130	450	2350	2000	o.r.
1SL7 457-2PA10-0CC0	4950	850	925	1545	1400	475	95	130	450	2350	2220	o.r.
1SL7 458-2PA10-0AA0	5100	850	925	1545	1400	250	95	130	450	2350	2000	o.r.
1SL7 458-2PA10-0AC0	5000	850	925	1545	1400	475	95	130	450	2350	2220	o.r.
1SL7 458-2PA10-0CA0	5250	850	925	1545	1400	250	95	130	450	2350	2000	o.r.
1SL7 458-2PA10-0CC0	5150	850	925	1545	1400	475	95	130	450	2350	2220	o.r.
1SL7 503-2PA10-0CA0	6000	950	1005	1705	1320	250	110	165	500	2640	2000	o.r.
1SL7 503-2PA10-0CC0	5950	950	1005	1705	1320	530	120	165	500	2640	2280	o.r.
1SL7 504-2PA10-0CA0	6150	950	1005	1705	1320	250	110	165	500	2640	2000	o.r.
1SL7 504-2PA10-0CC0	6050	950	1005	1705	1320	530	120	165	500	2640	2280	o.r.



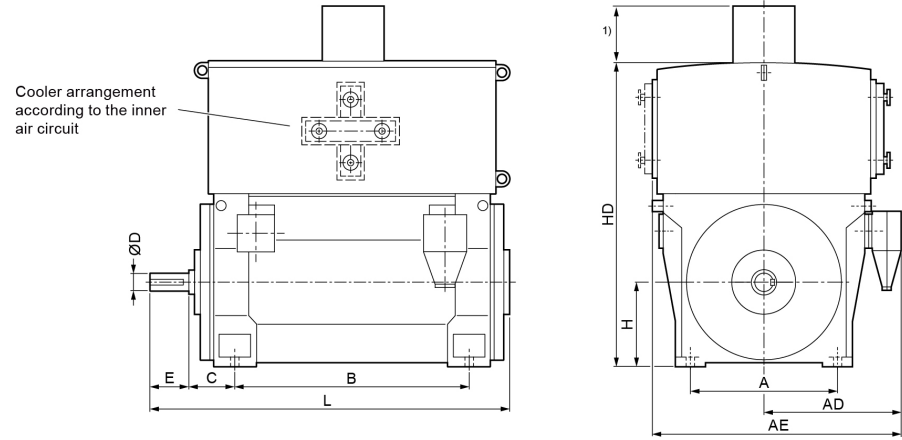
Motor type	Weight	Dimensions										
		A	AD	AE	B	C	D	E	H	HD	L	ML
	kg	mm	mm	mm	mm	mm	mm	mm	mm	mm	mm	mm
Innomotics HV M - 1SL. IC86W 6600 V / 60 Hz B3 (IM 1001) - Dimension drawings												
1SL7 507-2PA10-0CA0	6750	950	1005	1705	1500	250	110	165	500	2640	2210	o.r.
1SL7 507-2PA10-0CC0	6700	950	1005	1705	1500	530	120	165	500	2640	2490	o.r.
1SL7 508-2PA10-0CA0	7150	950	1005	1705	1500	250	110	165	500	2640	2210	o.r.
1SL7 508-2PA10-0CC0	7050	950	1005	1705	1500	530	120	165	500	2640	2490	o.r.
1SL7 562-2PA10-0CC0	8050	1060	1290	2060	1400	600	150	200	560	2830	2530	o.r.
1SL7 564-2PA10-0CC0	8550	1060	1290	2060	1400	600	150	200	560	2830	2530	o.r.
1SL7 567-2PA10-0CC0	9350	1060	1290	2060	1600	600	150	200	560	2830	2760	o.r.
1SL7 568-2PA10-0CC0	9950	1060	1290	2060	1600	600	150	200	560	2830	2760	o.r.
1SL8 632-2PA10-0CJ0	9650	1320	1520	2520	1600	560	160	240	630	3150	2760	o.r.
1SL8 633-2PA10-0CJ0	10150	1320	1520	2520	1600	560	160	240	630	3150	2760	o.r.
1SL8 634-2PA10-0CJ0	10650	1320	1520	2520	1600	560	160	240	630	3150	2760	o.r.
1SL8 637-2PA10-0CJ0	11450	1320	1520	2520	1800	560	160	240	630	3150	2960	o.r.
1SL8 638-2PA10-0CJ0	12150	1320	1520	2520	1800	560	160	240	630	3150	2960	o.r.
1SL8 713-2PA10-0CJ0	14200	1500	1620	2720	2000	560	180	240	710	3410	3150	o.r.
1SL8 714-2PA10-0CJ0	14950	1500	1620	2720	2000	560	180	240	710	3410	3150	o.r.
1SL8 716-2PA10-0CJ0	16000	1500	1620	2720	2240	560	180	240	710	3410	3390	o.r.
1SL8 717-2PA10-0CJ0	16700	1500	1620	2720	2240	560	180	240	710	3410	3390	o.r.
4-pole												
1SL7 453-4PA10-0AA0	4400	850	925	1545	1180	250	130	200	450	1940	2290	o.r.
1SL7 453-4PA10-0AC0	4400	850	925	1545	1180	500	130	200	450	1940	2540	o.r.
1SL7 453-4PA10-0CA0	4500	850	925	1545	1180	250	130	200	450	1940	2290	o.r.
1SL7 453-4PA10-0CC0	4550	850	925	1545	1180	500	130	200	450	1940	2540	o.r.
1SL7 454-4PA10-0AA0	4550	850	925	1545	1180	250	130	200	450	1940	2290	o.r.



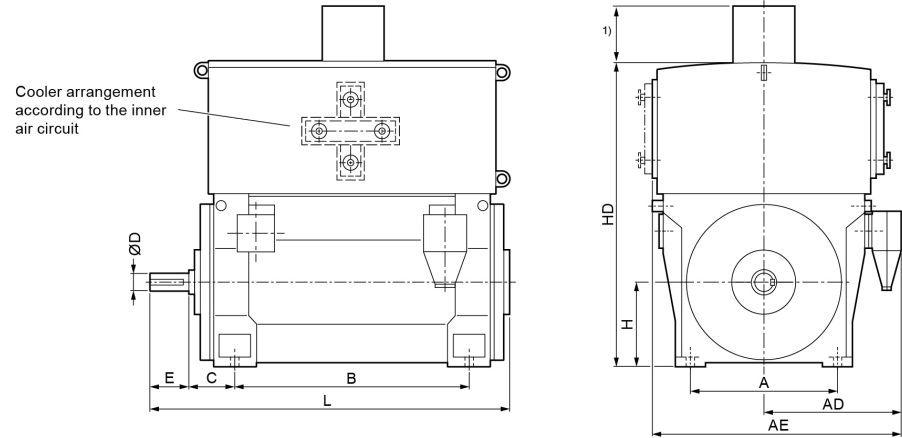
Motor type	Weight	Dimensions										
		A	AD	AE	B	C	D	E	H	HD	L	ML
	kg	mm	mm	mm	mm	mm	mm	mm	mm	mm	mm	mm
Innomotics HV M - 1SL. IC86W 6600 V / 60 Hz B3 (IM 1001) - Dimension drawings												
1SL7 454-4PA10-0AC0	4600	850	925	1545	1180	500	130	200	450	1940	2540	o.r.
1SL7 454-4PA10-0CA0	4700	850	925	1545	1180	250	130	200	450	1940	2290	o.r.
1SL7 454-4PA10-0CC0	4750	850	925	1545	1180	500	130	200	450	1940	2540	o.r.
1SL7 457-4PA10-0AA0	5150	850	925	1545	1400	250	130	200	450	1940	2500	o.r.
1SL7 457-4PA10-0AC0	5200	850	925	1545	1400	500	130	200	450	1940	2750	o.r.
1SL7 457-4PA10-0CA0	5350	850	925	1545	1400	250	130	200	450	1940	2500	o.r.
1SL7 457-4PA10-0CC0	5350	850	925	1545	1400	500	130	200	450	1940	2750	o.r.
1SL7 458-4PA10-0AA0	5400	850	925	1545	1400	250	130	200	450	1940	2500	o.r.
1SL7 458-4PA10-0AC0	5400	850	925	1545	1400	500	130	200	450	1940	2750	o.r.
1SL7 458-4PA10-0CA0	5550	850	925	1545	1400	250	130	200	450	1940	2500	o.r.
1SL7 458-4PA10-0CC0	5600	850	925	1545	1400	500	130	200	450	1940	2750	o.r.
1SL7 503-4PA10-0AA0	6150	950	1005	1705	1320	315	160	240	500	2640	2140	o.r.
1SL7 503-4PA10-0AC0	6250	950	1005	1705	1320	560	170	240	500	2640	2380	o.r.
1SL7 503-4PA10-0CA0	6300	950	1005	1705	1320	315	160	240	500	2640	2140	o.r.
1SL7 503-4PA10-0CC0	6400	950	1005	1705	1320	560	170	240	500	2640	2380	o.r.
1SL7 504-4PA10-0AA0	6450	950	1005	1705	1320	315	160	240	500	2640	2140	o.r.
1SL7 504-4PA10-0AC0	6500	950	1005	1705	1320	560	170	240	500	2640	2380	o.r.
1SL7 504-4PA10-0CA0	6600	950	1005	1705	1320	315	160	240	500	2640	2140	o.r.
1SL7 504-4PA10-0CC0	6700	950	1005	1705	1320	560	170	240	500	2640	2380	o.r.
1SL7 507-4PA10-0AA0	7100	950	1005	1705	1500	315	160	240	500	2640	2350	o.r.
1SL7 507-4PA10-0AC0	7150	950	1005	1705	1500	560	170	240	500	2640	2590	o.r.
1SL7 507-4PA10-0CA0	7250	950	1005	1705	1500	315	160	240	500	2640	2350	o.r.
1SL7 507-4PA10-0CC0	7350	950	1005	1705	1500	560	170	240	500	2640	2590	o.r.



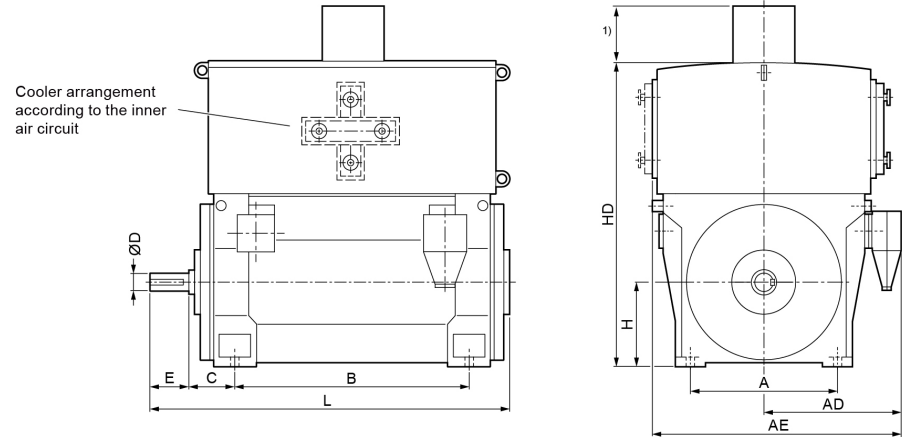
Motor type	Weight	Dimensions										
		A	AD	AE	B	C	D	E	H	HD	L	ML
	kg	mm	mm	mm	mm	mm	mm	mm	mm	mm	mm	mm
Innomotics HV M - 1SL. IC86W 6600 V / 60 Hz B3 (IM 1001) - Dimension drawings												
1SL7 508-4PA10-0AA0	7400	950	1005	1705	1500	315	160	240	500	2640	2350	o.r.
1SL7 508-4PA10-0AC0	7450	950	1005	1705	1500	560	170	240	500	2640	2590	o.r.
1SL7 508-4PA10-0CA0	7550	950	1005	1705	1500	315	160	240	500	2640	2350	o.r.
1SL7 508-4PA10-0CC0	7650	950	1005	1705	1500	560	170	240	500	2640	2590	o.r.
1SL7 563-4PA10-0CA0	8450	1060	1290	2060	1400	335	190	280	560	2830	2340	o.r.
1SL7 563-4PA10-0CC0	8500	1060	1290	2060	1400	600	190	280	560	2830	2610	o.r.
1SL7 564-4PA10-0CA0	8850	1060	1290	2060	1400	335	190	280	560	2830	2340	o.r.
1SL7 564-4PA10-0CC0	8900	1060	1290	2060	1400	600	190	280	560	2830	2610	o.r.
1SL7 566-4PA10-0CA0	9650	1060	1290	2060	1600	335	190	280	560	2830	2570	o.r.
1SL7 566-4PA10-0CC0	9750	1060	1290	2060	1600	600	190	280	560	2830	2840	o.r.
1SL7 567-4PA10-0CA0	10150	1060	1290	2060	1600	335	190	280	560	2830	2570	o.r.
1SL7 567-4PA10-0CC0	10200	1060	1290	2060	1600	600	190	280	560	2830	2840	o.r.
1SL7 568-4PA10-0CA0	10600	1060	1290	2060	1600	335	190	280	560	2830	2570	o.r.
1SL7 568-4PA10-0CC0	10700	1060	1290	2060	1600	600	190	280	560	2830	2840	o.r.
1SL8 633-4PA10-0CG0	10750	1320	1520	2520	1600	375	200	280	630	3150	2620	o.r.
1SL8 633-4PA10-0CJ0	10850	1320	1520	2520	1600	630	200	280	630	3150	2870	o.r.
1SL8 634-4PA10-0CG0	11350	1320	1520	2520	1600	375	200	280	630	3150	2620	o.r.
1SL8 634-4PA10-0CJ0	11450	1320	1520	2520	1600	630	200	280	630	3150	2870	o.r.
1SL8 637-4PA10-0CG0	12300	1320	1520	2520	1800	375	200	280	630	3150	2820	o.r.
1SL8 637-4PA10-0CJ0	12400	1320	1520	2520	1800	630	200	280	630	3150	3070	o.r.
1SL8 638-4PA10-0CG0	12800	1320	1520	2520	1800	375	200	280	630	3150	2820	o.r.
1SL8 638-4PA10-0CJ0	12950	1320	1520	2520	1800	630	200	280	630	3150	3070	o.r.
1SL8 712-4PA10-0CG0	14750	1500	1620	2720	2000	375	220	280	710	3410	3010	o.r.



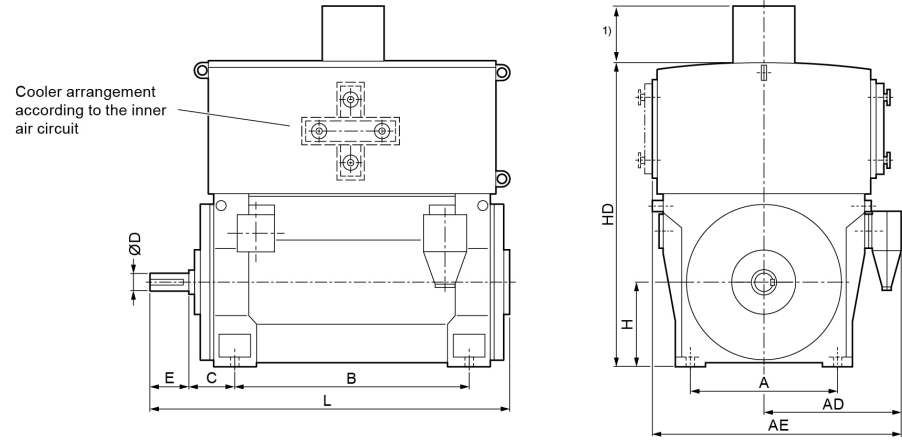
Motor type	Weight	Dimensions										
		A	AD	AE	B	C	D	E	H	HD	L	ML
	kg	mm	mm	mm	mm	mm	mm	mm	mm	mm	mm	mm
Innomotics HV M - 1SL. IC86W 6600 V / 60 Hz B3 (IM 1001) - Dimension drawings												
1SL8 712-4PA10-0CJ0	14900	1500	1620	2720	2000	630	220	280	710	3410	3260	o.r.
1SL8 713-4PA10-0CG0	15500	1500	1620	2720	2000	375	220	280	710	3410	3010	o.r.
1SL8 713-4PA10-0CJ0	15650	1500	1620	2720	2000	630	220	280	710	3410	3260	o.r.
1SL8 714-4PA10-0CG0	16250	1500	1620	2720	2000	375	220	280	710	3410	3010	o.r.
1SL8 714-4PA10-0CJ0	16400	1500	1620	2720	2000	630	220	280	710	3410	3260	o.r.
1SL8 717-4PA10-0CG0	17450	1500	1620	2720	2240	375	220	280	710	3410	3250	o.r.
1SL8 717-4PA10-0CJ0	17600	1500	1620	2720	2240	630	220	280	710	3410	3500	o.r.
1SL8 718-4PA10-0CG0	17950	1500	1620	2720	2240	375	220	280	710	3410	3250	o.r.
1SL8 718-4PA10-0CJ0	18100	1500	1620	2720	2240	630	220	280	710	3410	3500	o.r.
6-pole												
1SL7 452-6PA10-0AA0	4250	850	925	1545	1180	250	130	200	450	1940	2290	o.r.
1SL7 452-6PA10-0AC0	4300	850	925	1545	1180	500	130	200	450	1940	2540	o.r.
1SL7 453-6PA10-0AA0	4400	850	925	1545	1180	250	130	200	450	1940	2290	o.r.
1SL7 453-6PA10-0AC0	4450	850	925	1545	1180	500	130	200	450	1940	2540	o.r.
1SL7 453-6PA10-0CA0	4550	850	925	1545	1180	250	130	200	450	1940	2290	o.r.
1SL7 453-6PA10-0CC0	4600	850	925	1545	1180	500	130	200	450	1940	2540	o.r.
1SL7 454-6PA10-0AA0	4600	850	925	1545	1180	250	130	200	450	1940	2290	o.r.
1SL7 454-6PA10-0AC0	4600	850	925	1545	1180	500	130	200	450	1940	2540	o.r.
1SL7 454-6PA10-0CA0	4750	850	925	1545	1180	250	130	200	450	1940	2290	o.r.
1SL7 454-6PA10-0CC0	4800	850	925	1545	1180	500	130	200	450	1940	2540	o.r.
1SL7 457-6PA10-0AA0	5050	850	925	1545	1400	250	130	200	450	1940	2500	o.r.
1SL7 457-6PA10-0AC0	5100	850	925	1545	1400	500	130	200	450	1940	2750	o.r.
1SL7 457-6PA10-0CA0	5250	850	925	1545	1400	250	130	200	450	1940	2500	o.r.



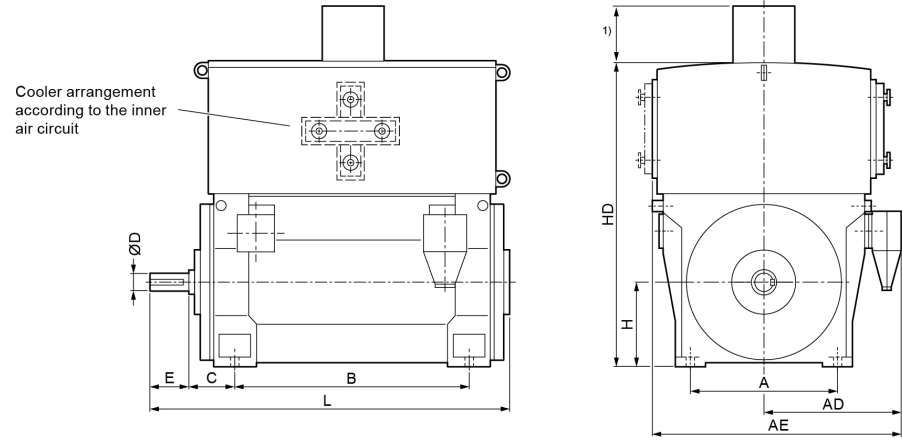
Motor type	Weight	Dimensions										
		A	AD	AE	B	C	D	E	H	HD	L	ML
	kg	mm	mm	mm	mm	mm	mm	mm	mm	mm	mm	mm
Innomotics HV M - 1SL. IC86W 6600 V / 60 Hz B3 (IM 1001) - Dimension drawings												
1SL7 457-6PA10-0CC0	5250	850	925	1545	1400	500	130	200	450	1940	2750	o.r.
1SL7 458-6PA10-0AA0	5300	850	925	1545	1400	250	130	200	450	1940	2500	o.r.
1SL7 458-6PA10-0AC0	5350	850	925	1545	1400	500	130	200	450	1940	2750	o.r.
1SL7 458-6PA10-0CA0	5500	850	925	1545	1400	250	130	200	450	1940	2500	o.r.
1SL7 458-6PA10-0CC0	5550	850	925	1545	1400	500	130	200	450	1940	2750	o.r.
1SL7 503-6PA10-0AA0	6200	950	1005	1705	1320	315	160	240	500	2230	2520	o.r.
1SL7 503-6PA10-0AC0	6250	950	1005	1705	1320	560	170	240	500	2230	2760	o.r.
1SL7 503-6PA10-0CA0	6450	950	1005	1705	1320	315	160	240	500	2230	2520	o.r.
1SL7 503-6PA10-0CC0	6500	950	1005	1705	1320	560	170	240	500	2230	2760	o.r.
1SL7 504-6PA10-0AA0	6500	950	1005	1705	1320	315	160	240	500	2230	2520	o.r.
1SL7 504-6PA10-0AC0	6550	950	1005	1705	1320	560	170	240	500	2230	2760	o.r.
1SL7 504-6PA10-0CA0	6700	950	1005	1705	1320	315	160	240	500	2230	2520	o.r.
1SL7 504-6PA10-0CC0	6800	950	1005	1705	1320	560	170	240	500	2230	2760	o.r.
1SL7 507-6PA10-0AA0	7200	950	1005	1705	1500	315	160	240	500	2230	2730	o.r.
1SL7 507-6PA10-0AC0	7250	950	1005	1705	1500	560	170	240	500	2230	2970	o.r.
1SL7 507-6PA10-0CA0	7450	950	1005	1705	1500	315	160	240	500	2230	2730	o.r.
1SL7 507-6PA10-0CC0	7500	950	1005	1705	1500	560	170	240	500	2230	2970	o.r.
1SL7 508-6PA10-0CA0	7750	950	1005	1705	1500	315	160	240	500	2230	2730	o.r.
1SL7 508-6PA10-0CC0	7800	950	1005	1705	1500	560	170	240	500	2230	2970	o.r.
1SL7 508-6PA10-0AA0	7500	950	1005	1705	1500	315	160	240	500	2230	2730	o.r.
1SL7 508-6PA10-0AC0	7550	950	1005	1705	1500	560	170	240	500	2230	2970	o.r.
1SL7 562-6PA10-0CA0	8800	1060	1290	2060	1400	335	190	280	560	2680	2770	o.r.
1SL7 562-6PA10-0CC0	8850	1060	1290	2060	1400	600	190	280	560	2680	3030	o.r.



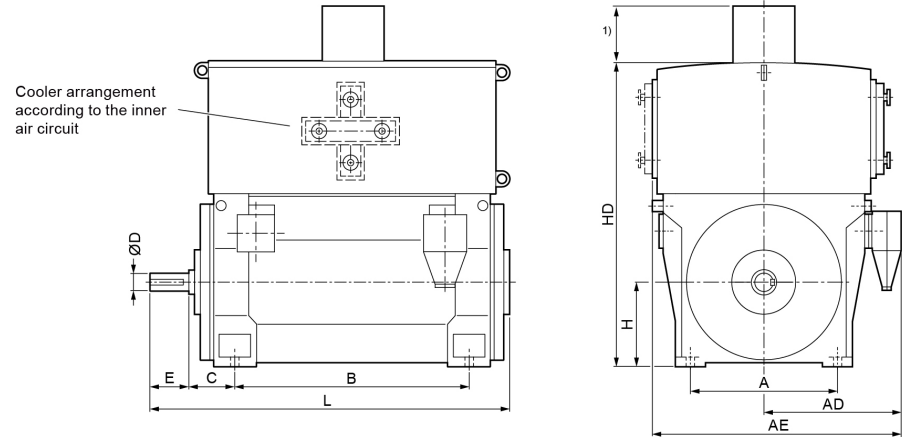
Motor type	Weight	Dimensions										
		A	AD	AE	B	C	D	E	H	HD	L	ML
	kg	mm	mm	mm	mm	mm	mm	mm	mm	mm	mm	mm
Innomotics HV M - 1SL. IC86W 6600 V / 60 Hz B3 (IM 1001) - Dimension drawings												
1SL7 562-6PA10-0HA0	8750	1060	1290	2060	1400	335	190	280	560	2680	2770	o.r.
1SL7 562-6PA10-0HC0	8800	1060	1290	2060	1400	600	190	280	560	2680	3030	o.r.
1SL7 567-6PA10-0CA0	10250	1060	1290	2060	1600	335	190	280	560	2680	3000	o.r.
1SL7 567-6PA10-0CC0	10300	1060	1290	2060	1600	600	190	280	560	2680	3260	o.r.
1SL7 568-6PA10-0CA0	10900	1060	1290	2060	1600	335	190	280	560	2680	3000	o.r.
1SL7 568-6PA10-0CC0	10950	1060	1290	2060	1600	600	190	280	560	2680	3260	o.r.
1SL8 632-6PA10-0CG0	10750	1320	1520	2520	1600	375	200	280	630	3150	2620	o.r.
1SL8 632-6PA10-0CJ0	10850	1320	1520	2520	1600	630	200	280	630	3150	2870	o.r.
1SL8 633-6PA10-0CG0	11250	1320	1520	2520	1600	375	200	280	630	3150	2620	o.r.
1SL8 633-6PA10-0CJ0	11350	1320	1520	2520	1600	630	200	280	630	3150	2870	o.r.
1SL8 634-6PA10-0CG0	11750	1320	1520	2520	1600	375	200	280	630	3150	2620	o.r.
1SL8 634-6PA10-0CJ0	11850	1320	1520	2520	1600	630	200	280	630	3150	2870	o.r.
1SL8 637-6PA10-0CG0	12550	1320	1520	2520	1800	375	200	280	630	3150	2820	o.r.
1SL8 637-6PA10-0CJ0	12650	1320	1520	2520	1800	630	200	280	630	3150	3070	o.r.
1SL8 638-6PA10-0CG0	13050	1320	1520	2520	1800	375	200	280	630	3150	2820	o.r.
1SL8 638-6PA10-0CJ0	13150	1320	1520	2520	1800	630	200	280	630	3150	3070	o.r.
1SL8 712-6PA10-0CG0	14700	1500	1620	2720	2000	375	220	280	710	3410	3010	o.r.
1SL8 712-6PA10-0CJ0	14850	1500	1620	2720	2000	630	220	280	710	3410	3260	o.r.
1SL8 713-6PA10-0CG0	15650	1500	1620	2720	2000	375	220	280	710	3410	3010	o.r.
1SL8 713-6PA10-0CJ0	15750	1500	1620	2720	2000	630	220	280	710	3410	3260	o.r.
1SL8 714-6PA10-0CG0	16600	1500	1620	2720	2000	375	220	280	710	3410	3010	o.r.
1SL8 714-6PA10-0CJ0	16750	1500	1620	2720	2000	630	220	280	710	3410	3260	o.r.
1SL8 717-6PA10-0CG0	18050	1500	1620	2720	2240	375	220	280	710	3410	3250	o.r.



Motor type	Weight	Dimensions										
		A	AD	AE	B	C	D	E	H	HD	L	ML
	kg	mm	mm	mm	mm	mm	mm	mm	mm	mm	mm	mm
Innomotics HV M - 1SL. IC86W 6600 V / 60 Hz B3 (IM 1001) - Dimension drawings												
1SL8 717-6PA10-0CJ0	18200	1500	1620	2720	2240	630	220	280	710	3410	3500	o.r.
1SL8 718-6PA10-0CG0	19000	1500	1620	2720	2240	375	220	280	710	3410	3250	o.r.
1SL8 718-6PA10-0CJ0	19150	1500	1620	2720	2240	630	220	280	710	3410	3500	o.r.
8-pole												
1SL7 452-8PA10-0AA0	4400	850	925	1545	1180	250	130	200	450	1940	2290	o.r.
1SL7 452-8PA10-0AC0	4450	850	925	1545	1180	500	130	200	450	1940	2540	o.r.
1SL7 452-8PA10-0CA0	4550	850	925	1545	1180	250	130	200	450	1940	2290	o.r.
1SL7 452-8PA10-0CC0	4600	850	925	1545	1180	500	130	200	450	1940	2540	o.r.
1SL7 453-8PA10-0AA0	4600	850	925	1545	1180	250	130	200	450	1940	2290	o.r.
1SL7 453-8PA10-0AC0	4650	850	925	1545	1180	500	130	200	450	1940	2540	o.r.
1SL7 453-8PA10-0CA0	4750	850	925	1545	1180	250	130	200	450	1940	2290	o.r.
1SL7 453-8PA10-0CC0	4800	850	925	1545	1180	500	130	200	450	1940	2540	o.r.
1SL7 454-8PA10-0AA0	4800	850	925	1545	1180	250	130	200	450	1940	2290	o.r.
1SL7 454-8PA10-0AC0	4850	850	925	1545	1180	500	130	200	450	1940	2540	o.r.
1SL7 454-8PA10-0CA0	4950	850	925	1545	1180	250	130	200	450	1940	2290	o.r.
1SL7 454-8PA10-0CC0	5000	850	925	1545	1180	500	130	200	450	1940	2540	o.r.
1SL7 457-8PA10-0AA0	5300	850	925	1545	1400	250	130	200	450	1940	2500	o.r.
1SL7 457-8PA10-0AC0	5350	850	925	1545	1400	500	130	200	450	1940	2750	o.r.
1SL7 457-8PA10-0CA0	5500	850	925	1545	1400	250	130	200	450	1940	2500	o.r.
1SL7 457-8PA10-0CC0	5550	850	925	1545	1400	500	130	200	450	1940	2750	o.r.
1SL7 458-8PA10-0AA0	5600	850	925	1545	1400	250	130	200	450	1940	2500	o.r.
1SL7 458-8PA10-0AC0	5600	850	925	1545	1400	500	130	200	450	1940	2750	o.r.
1SL7 458-8PA10-0CA0	5800	850	925	1545	1400	250	130	200	450	1940	2500	o.r.



Motor type	Weight	Dimensions										
		A	AD	AE	B	C	D	E	H	HD	L	ML
	kg	mm	mm	mm	mm	mm	mm	mm	mm	mm	mm	mm
Innomotics HV M - 1SL. IC86W 6600 V / 60 Hz B3 (IM 1001) - Dimension drawings												
1SL7 458-8PA10-0CC0	5800	850	925	1545	1400	500	130	200	450	1940	2750	o.r.
1SL7 502-8PA10-0CA0	6100	950	1005	1705	1320	315	160	240	500	2230	2520	o.r.
1SL7 502-8PA10-0CC0	6150	950	1005	1705	1320	560	170	240	500	2230	2760	o.r.
1SL7 503-8PA10-0AA0	6200	950	1005	1705	1320	315	160	240	500	2230	2520	o.r.
1SL7 503-8PA10-0AC0	6250	950	1005	1705	1320	560	170	240	500	2230	2760	o.r.
1SL7 503-8PA10-0CA0	6450	950	1005	1705	1320	315	160	240	500	2230	2520	o.r.
1SL7 503-8PA10-0CC0	6500	950	1005	1705	1320	560	170	240	500	2230	2760	o.r.
1SL7 504-8PA10-0AA0	6500	950	1005	1705	1320	315	160	240	500	2230	2520	o.r.
1SL7 504-8PA10-0AC0	6550	950	1005	1705	1320	560	170	240	500	2230	2760	o.r.
1SL7 504-8PA10-0CA0	6750	950	1005	1705	1320	315	160	240	500	2230	2520	o.r.
1SL7 504-8PA10-0CC0	6800	950	1005	1705	1320	560	170	240	500	2230	2760	o.r.
1SL7 507-8PA10-0AA0	7200	950	1005	1705	1500	315	160	240	500	2230	2730	o.r.
1SL7 507-8PA10-0AC0	7250	950	1005	1705	1500	560	170	240	500	2230	2970	o.r.
1SL7 507-8PA10-0CA0	7450	950	1005	1705	1500	315	160	240	500	2230	2730	o.r.
1SL7 507-8PA10-0CC0	7500	950	1005	1705	1500	560	170	240	500	2230	2970	o.r.
1SL7 508-8PA10-0AA0	7500	950	1005	1705	1500	315	160	240	500	2230	2730	o.r.
1SL7 508-8PA10-0AC0	7550	950	1005	1705	1500	560	170	240	500	2230	2970	o.r.
1SL7 508-8PA10-0CA0	7750	950	1005	1705	1500	315	160	240	500	2230	2730	o.r.
1SL7 508-8PA10-0CC0	7850	950	1005	1705	1500	560	170	240	500	2230	2970	o.r.
1SL7 563-8PA10-0CA0	8800	1060	1075	1845	1400	335	190	280	560	2680	2770	o.r.
1SL7 563-8PA10-0CC0	8900	1060	1075	1845	1400	600	190	280	560	2680	3030	o.r.
1SL7 564-8PA10-0CA0	9250	1060	1075	1845	1400	335	190	280	560	2680	2770	o.r.
1SL7 564-8PA10-0CC0	9350	1060	1075	1845	1400	600	190	280	560	2680	3030	o.r.



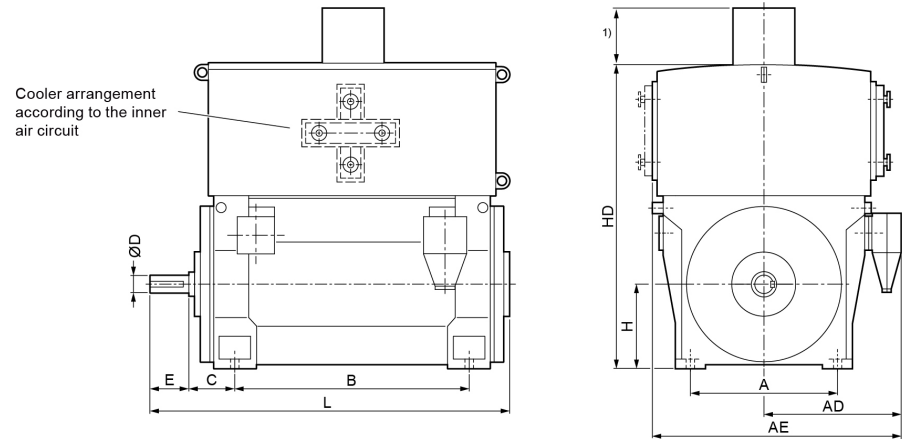
Motor type	Weight	Dimensions											
		A	AD	AE	B	C	D	E	H	HD	L	ML	
	kg	mm	mm	mm	mm	mm	mm	mm	mm	mm	mm	mm	mm
Innomotics HV M - 1SL. IC86W 6600 V / 60 Hz B3 (IM 1001) - Dimension drawings													
1SL7 567-8PA10-0CA0	10100	1060	1075	1845	1600	335	190	280	560	2680	3000	o.r.	
1SL7 567-8PA10-0CC0	10200	1060	1075	1845	1600	600	190	280	560	2680	3260	o.r.	
1SL7 568-8PA10-0CA0	10600	1060	1075	1845	1600	335	190	280	560	2680	3000	o.r.	
1SL7 568-8PA10-0CC0	10700	1060	1075	1845	1600	600	190	280	560	2680	3260	o.r.	
1SL8 633-8PA10-0CG0	10000	1320	1520	2520	1600	375	200	280	630	3150	2620	o.r.	
1SL8 633-8PA10-0CJ0	10100	1320	1520	2520	1600	630	200	280	630	3150	2870	o.r.	
1SL8 634-8PA10-0CG0	10800	1320	1520	2520	1600	375	200	280	630	3150	2620	o.r.	
1SL8 634-8PA10-0CJ0	10900	1320	1520	2520	1600	630	200	280	630	3150	2870	o.r.	
1SL8 637-8PA10-0CG0	11950	1320	1520	2520	1800	375	200	280	630	3150	2820	o.r.	
1SL8 637-8PA10-0CJ0	12050	1320	1520	2520	1800	630	200	280	630	3150	3070	o.r.	
1SL8 638-8PA10-0CG0	12650	1320	1520	2520	1800	375	200	280	630	3150	2820	o.r.	
1SL8 638-8PA10-0CJ0	12750	1320	1520	2520	1800	630	200	280	630	3150	3070	o.r.	
1SL8 712-8PA10-0CG0	14000	1500	1620	2720	2000	375	220	280	710	3330	3010	o.r.	
1SL8 712-8PA10-0CJ0	14150	1500	1620	2720	2000	630	220	280	710	3330	3260	o.r.	
1SL8 713-8PA10-0CG0	14800	1500	1620	2720	2000	375	220	280	710	3330	3010	o.r.	
1SL8 713-8PA10-0CJ0	15000	1500	1620	2720	2000	630	220	280	710	3330	3260	o.r.	
1SL8 714-8PA10-0CG0	16000	1500	1620	2720	2000	375	220	280	710	3330	3010	o.r.	
1SL8 714-8PA10-0CJ0	16200	1500	1620	2720	2000	630	220	280	710	3330	3260	o.r.	
1SL8 717-8PA10-0CG0	17700	1500	1620	2720	2240	375	220	280	710	3330	3250	o.r.	
1SL8 717-8PA10-0CJ0	17900	1500	1620	2720	2240	630	220	280	710	3330	3500	o.r.	
1SL8 718-8PA10-0CG0	18700	1500	1620	2720	2240	375	220	280	710	3330	3250	o.r.	
1SL8 718-8PA10-0CJ0	18900	1500	1620	2720	2240	630	220	280	710	3330	3500	o.r.	

Innomotics HV M - 1SL, IC86W 10000 V / 50 Hz B3 (IM 1001)																				
Rated power IEC	Article No.	Speed	Rated current		Efficiency				Power factor				Torque T_R	Breakdown torque T_B/ T_R	Locked torque T_{LR}/ T_R	Locked rotor current I_{LR}/ I_R	Inertia			
			I_R	I_R	5/4 load	4/4 load	3/4 load	2/4 load	5/4 load	4/4 load	3/4 load	2/4 load					cos φ	cos φ	cos φ	cos φ
kW		rpm	A	A	%	%	%	%	cos φ	cos φ	cos φ	cos φ	Nm	[-]	[-]	[-]	kgm ²	kgm ²	[-]	
2-pole: n_{sync} = 3000 rpm at 50 Hz																				
1500	1SL7 453-2PA80-0A.2	2976	102	102	95.1	96.0	96.3	96.2	0.87	0.89	0.89	0.85	4814	2.20	0.50	5.0	10	60	o.r.	
1530	1SL7 453-2PA80-0C.0	2976	102	102	95.1	95.9	96.4	96.3	0.87	0.90	0.89	0.87	4910	2.10	0.55	4.7	14	80	o.r.	
1680	1SL7 454-2PA80-0A.2	2977	114	114	95.5	96.1	96.4	96.1	0.88	0.89	0.88	0.83	5391	2.25	0.50	5.2	11	60	o.r.	
1720	1SL7 454-2PA80-0C.2	2977	114	114	95.5	96.1	96.4	96.2	0.88	0.90	0.89	0.86	5519	2.15	0.55	5.0	15	100	o.r.	
1870	1SL7 457-2PA80-0A.2	2977	126	126	95.5	96.2	96.6	96.4	0.87	0.89	0.89	0.85	6000	2.25	0.55	5.3	12	70	o.r.	
1910	1SL7 457-2PA80-0C.2	2977	128	128	95.5	96.2	96.6	96.4	0.88	0.90	0.90	0.87	6133	2.15	0.55	5.0	16	120	o.r.	
2050	1SL7 458-2PA80-0A.2	2978	136	136	95.8	96.4	96.7	96.5	0.88	0.90	0.90	0.86	6580	2.35	0.55	5.4	13	75	o.r.	
2100	1SL7 458-2PA80-0C.2	2978	140	140	95.8	96.4	96.8	96.6	0.89	0.90	0.90	0.88	6739	2.30	0.55	5.0	18	135	o.r.	
2240	1SL7 503-2PA80-0A.0	2965	150	150	95.5	96.3	96.8	97.0	0.87	0.89	0.89	0.87	7221	2.10	0.50	4.1	15	58	o.r.	
2240	1SL7 503-2PA80-0C.0	2973	150	150	95.8	96.4	97.0	97.1	0.87	0.89	0.90	0.88	7198	2.05	0.55	4.0	20	154	o.r.	
2450	1SL7 504-2PA80-0A.0	2968	166	166	95.7	96.3	96.8	96.9	0.88	0.89	0.89	0.86	7886	2.30	0.55	4.5	15	62	o.r.	
2550	1SL7 504-2PA80-0C.2	2973	172	172	95.8	96.5	96.9	96.9	0.88	0.89	0.90	0.87	8198	2.15	0.60	4.2	21	138	o.r.	
2670	1SL7 507-2PA80-0A.2	2973	178	178	96.0	96.6	96.9	96.9	0.89	0.90	0.90	0.86	8580	2.50	0.50	5.0	18	82	o.r.	
2800	1SL7 507-2PA80-0C.2	2977	186	186	96.2	96.7	97.0	97.0	0.89	0.90	0.90	0.87	8989	2.35	0.55	4.7	24	158	o.r.	
3000	1SL7 508-2PA80-0A.2	2974	198	198	96.3	96.8	97.1	97.1	0.90	0.90	0.90	0.86	9635	2.60	0.55	5.3	20	94	o.r.	
3150	1SL7 508-2PA80-0C.2	2978	205	205	96.4	96.9	97.2	97.2	0.90	0.91	0.91	0.87	10106	2.40	0.55	4.9	27	168	o.r.	
3800	1SL7 562-2PA80-0CC2	2981	250	250	96.4	96.6	96.8	96.5	0.90	0.90	0.90	0.86	12181	2.30	0.60	5.2	41	210	o.r.	
4150	1SL7 563-2PA80-0CC2	2980	275	275	96.4	96.7	97.0	96.8	0.88	0.90	0.90	0.87	13304	2.05	0.50	4.6	44	245	o.r.	
4750	1SL7 564-2PA80-0CC2	2982	310	310	96.6	96.8	97.0	96.7	0.90	0.91	0.90	0.87	15222	2.30	0.60	5.3	47	250	o.r.	
5150	1SL7 567-2PA80-0CC2	2982	335	335	96.8	97.0	97.2	97.0	0.90	0.91	0.91	0.88	16506	2.30	0.60	5.2	52	285	o.r.	
5700	1SL7 568-2PA80-0CC2	2984	370	370	97.0	97.2	97.3	97.0	0.92	0.92	0.91	0.88	18252	2.50	0.60	5.8	58	315	o.r.	
6000	1SL8 632-2PA80-0CJ0	2980	405	405	96.4	96.9	96.9	96.4	0.85	0.88	0.88	0.87	19227	1.90	0.50	4.5	75	250	o.r.	
6750	1SL8 633-2PA80-0CJ0	2980	455	455	96.5	97.1	97.1	96.7	0.85	0.88	0.89	0.88	21630	1.90	0.50	4.5	82	240	o.r.	
7550	1SL8 634-2PA80-0CJ0	2980	510	510	96.6	97.1	97.2	96.8	0.85	0.88	0.89	0.89	24194	1.90	0.50	4.5	90	230	o.r.	
8050	1SL8 637-2PA80-0CJ0	2983	530	530	96.9	97.3	97.2	96.9	0.89	0.90	0.91	0.90	25770	2.25	0.55	5.3	99	260	o.r.	
8850	1SL8 638-2PA80-0CJ0	2983	580	580	97.0	97.4	97.4	97.1	0.89	0.91	0.91	0.91	28331	2.25	0.55	5.3	108	260	o.r.	
9050	1SL8 712-2PA80-0CJ0	2983	610	610	96.5	96.9	96.9	96.5	0.83	0.88	0.89	0.89	28971	1.75	0.40	4.0	149	210	o.r.	
10250	1SL8 713-2PA80-0CJ0	2984	680	680	96.8	97.2	97.1	96.7	0.86	0.90	0.90	0.89	32802	1.90	0.50	4.4	160	190	o.r.	
11500	1SL8 714-2PA80-0CJ0	2984	760	760	97.0	97.3	97.3	96.8	0.86	0.90	0.90	0.89	36802	1.90	0.50	4.4	173	170	o.r.	
12000	1SL8 716-2PA80-0CJ0	2986	780	780	97.1	97.3	97.3	96.8	0.88	0.91	0.91	0.90	38376	2.10	0.45	4.8	186	200	o.r.	
13600	1SL8 717-2PA80-0CJ0	2986	880	880	97.2	97.5	97.4	97.0	0.89	0.91	0.91	0.90	43493	2.15	0.60	5.1	202	160	o.r.	
14800	1SL8 718-2PA80-0CJ0	2987	950	950	97.4	97.6	97.6	97.1	0.90	0.92	0.92	0.90	47315	2.35	0.65	5.6	219	160	o.r.	
4-pole: n_{sync} = 1500 rpm at 50 Hz																				
1420	1SL7 453-4PA80-0A.0	1482	97	97	94.8	95.7	96.1	96.2	0.87	0.88	0.87	0.81	9155	2.35	0.65	5.3	17	290	o.r.	
1470	1SL7 453-4PA80-0C.0	1485	100	100	95.0	95.9	96.3	96.5	0.87	0.88	0.87	0.83	9460	2.10	0.50	4.8	23	325	o.r.	
1560	1SL7 454-4PA80-0A.0	1482	106	106	95.0	95.8	96.3	96.4	0.88	0.89	0.87	0.83	10058	2.40	0.65	5.4	19	320	o.r.	

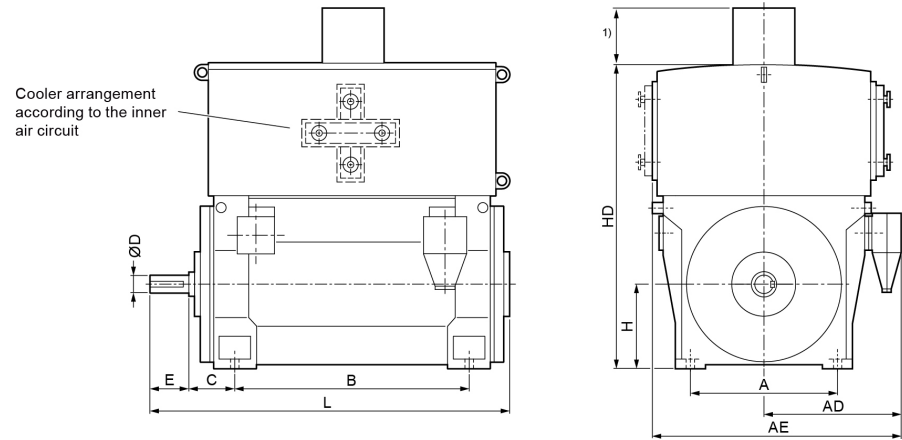
Innomotics HV M - 1SL IC86W 10000 V / 50 Hz B3 (IM 1001)																		
Rated power IEC	Article No.	Speed	Rated current I_R	Efficiency				Power factor				Torque T_R	Breakdown torque T_B/ T_R	Locked rotor torque T_{LR}/ T_R	Locked rotor current I_{LR}/ I_R	Inertia		
				5/4 load	4/4 load	3/4 load	2/4 load	5/4 load	4/4 load	3/4 load	2/4 load					motor	external	Startup max T/TR
kW		rpm	A	%	%	%	%	cos φ	cos φ	cos φ	cos φ	Nm	[-]	[-]	[-]	kgm ²	kgm ²	[-]
1600	1SL7 454-4PA80-0C.2	1486	108	95.3	96.2	96.5	96.6	0.87	0.89	0.88	0.84	10292	2.20	0.50	5.0	26	405	o.r.
1900	1SL7 457-4PA80-0C.2	1487	128	95.7	96.4	96.7	96.7	0.88	0.89	0.88	0.83	12205	2.40	0.55	5.2	30	525	o.r.
1820	1SL7 457-4PA80-0A.0	1483	122	95.4	96.2	96.5	96.7	0.89	0.89	0.88	0.83	11724	2.45	0.70	5.8	22	390	o.r.
1970	1SL7 458-4PA80-0A.2	1485	132	95.7	96.3	96.6	96.6	0.89	0.89	0.87	0.81	12678	2.75	0.80	6.0	24	455	o.r.
2060	1SL7 458-4PA80-0C.2	1488	138	95.9	96.5	96.8	96.8	0.89	0.89	0.88	0.83	13230	2.50	0.60	5.3	33	620	o.r.
2220	1SL7 503-4PA80-0A.2	1486	150	95.8	96.5	97.0	97.1	0.88	0.89	0.88	0.85	14275	2.25	0.80	5.0	37	625	o.r.
2240	1SL7 503-4PA80-0C.0	1487	148	95.8	96.5	97.0	97.0	0.88	0.90	0.89	0.86	14402	2.20	0.60	4.6	45	645	o.r.
2500	1SL7 504-4PA80-0C.2	1488	168	96.0	96.6	97.1	97.0	0.88	0.89	0.88	0.85	16064	2.20	0.55	4.6	50	630	o.r.
2450	1SL7 504-4PA80-0A.2	1486	164	95.8	96.6	97.1	97.2	0.87	0.89	0.89	0.86	15757	2.25	0.75	5.0	40	675	o.r.
2870	1SL7 507-4PA80-0C.2	1489	192	96.3	96.8	97.1	97.0	0.88	0.89	0.87	0.82	18423	2.35	0.55	4.8	56	875	o.r.
2610	1SL7 507-4PA80-0A.2	1486	174	95.9	96.6	97.1	97.2	0.89	0.90	0.90	0.87	16784	2.30	0.85	5.2	46	755	o.r.
3150	1SL7 508-4PA80-0C.2	1490	210	96.5	97.0	97.3	97.1	0.89	0.90	0.88	0.84	20209	2.60	0.70	5.4	62	905	o.r.
2950	1SL7 508-4PA80-0A.2	1486	196	96.1	96.8	97.2	97.3	0.88	0.90	0.90	0.87	18968	2.35	0.85	5.3	50	815	o.r.
3550	1SL7 563-4PA80-0C.2	1489	238	96.3	96.9	97.3	97.3	0.87	0.89	0.88	0.85	22783	2.05	0.65	5.0	80	725	o.r.
4150	1SL7 564-4PA80-0C.2	1490	278	96.6	97.0	97.4	97.3	0.87	0.89	0.87	0.84	26609	2.20	0.60	5.3	90	835	o.r.
4700	1SL7 566-4PA80-0C.2	1490	314	96.8	97.2	97.5	97.4	0.88	0.89	0.88	0.84	30131	2.25	0.60	5.4	100	885	o.r.
5100	1SL7 567-4PA80-0C.2	1491	340	96.8	97.2	97.6	97.5	0.89	0.89	0.89	0.86	32693	2.30	0.70	5.5	110	935	o.r.
5600	1SL7 568-4PA80-0C.2	1490	369	96.9	97.3	97.7	97.7	0.89	0.90	0.90	0.87	35911	2.20	0.65	5.3	119	940	o.r.
6000	1SL8 633-4PA80-0C.0	1490	400	96.7	97.2	97.4	97.3	0.87	0.89	0.88	0.84	38454	2.10	0.50	5.0	151	710	o.r.
6800	1SL8 634-4PA80-0C.0	1490	455	96.8	97.3	97.6	97.5	0.87	0.89	0.89	0.86	43581	2.10	0.50	5.0	166	740	o.r.
7700	1SL8 637-4PA80-0C.0	1490	510	97.0	97.4	97.6	97.5	0.87	0.89	0.88	0.85	49349	2.15	0.50	5.2	182	770	o.r.
8550	1SL8 638-4PA80-0C.0	1490	570	97.1	97.5	97.7	97.6	0.88	0.89	0.89	0.85	54796	2.25	0.55	5.5	198	810	o.r.
8900	1SL8 712-4PA80-0C.0	1491	590	97.0	97.5	97.7	97.5	0.87	0.89	0.89	0.86	57001	2.20	0.45	5.2	259	800	o.r.
9850	1SL8 713-4PA80-0C.0	1491	660	97.1	97.5	97.7	97.6	0.87	0.89	0.89	0.86	63086	2.20	0.45	5.2	284	840	o.r.
10500	1SL8 714-4PA80-0C.0	1492	690	97.2	97.6	97.8	97.7	0.89	0.90	0.90	0.87	67203	2.45	0.55	2.9	312	970	o.r.
11600	1SL8 717-4PA80-0C.0	1492	750	97.3	97.7	97.9	97.7	0.90	0.91	0.90	0.87	74244	2.55	0.60	6.0	346	1070	o.r.
12500	1SL8 718-4PA80-0C.2	1492	810	97.4	97.7	97.9	97.7	0.90	0.91	0.90	0.86	80004	2.60	0.60	6.0	365	1080	o.r.
6-pole: n_{sync} = 1000 rpm at 50 Hz																		
1000	1SL7 452-6PA80-0A.0	990	72	94.3	95.2	95.6	95.6	0.83	0.84	0.80	0.70	9655	2.35	0.70	5.2	20	495	o.r.
1020	1SL7 452-6PA80-0C.0	989	73	94.2	95.1	95.6	95.8	0.84	0.85	0.82	0.74	9850	2.30	0.60	4.9	27	645	o.r.
1120	1SL7 453-6PA80-0A.0	990	81	94.4	95.3	95.7	95.8	0.84	0.84	0.80	0.71	10816	2.30	0.70	5.1	22	535	o.r.
1150	1SL7 453-6PA80-0C.0	989	82	94.3	95.2	95.8	95.9	0.84	0.85	0.83	0.75	11108	2.25	0.60	4.8	30	680	o.r.
1250	1SL7 454-6PA80-0A.0	990	89	94.6	95.4	95.9	96.0	0.84	0.85	0.81	0.72	12073	2.35	0.70	5.2	24	595	o.r.
1270	1SL7 454-6PA80-0C.0	989	90	94.5	95.4	95.9	96.1	0.84	0.85	0.83	0.76	12264	2.30	0.60	4.9	33	770	o.r.
1360	1SL7 457-6PA80-0A.0	990	97	94.8	95.6	96.0	96.1	0.85	0.85	0.82	0.73	13128	2.40	0.80	5.3	28	655	o.r.
1400	1SL7 457-6PA80-0C.0	990	98	94.7	95.6	96.1	96.2	0.85	0.86	0.84	0.76	13520	2.30	0.65	5.0	36	840	o.r.
1480	1SL7 458-6PA80-0A.0	991	104	95.1	95.8	96.2	96.2	0.85	0.86	0.82	0.73	14277	2.50	0.80	5.5	31	785	o.r.

Innomotics HV M - 1SL IC86W 10000 V / 50 Hz B3 (IM 1001)																		
Rated power IEC	Article No.	Speed	Rated current I_R	Efficiency				Power factor				Torque T_R	Breakdown torque T_B/ T_R	Locked rotor torque T_{LR}/ T_R	Locked rotor current I_{LR}/ I_R	Inertia		
				5/4 load	4/4 load	3/4 load	2/4 load	5/4 load	4/4 load	3/4 load	2/4 load					motor	external	Startup max T/TR
kW		rpm	A	%	%	%	%	$\cos \varphi$	$\cos \varphi$	$\cos \varphi$	$\cos \varphi$	Nm	[-]	[-]	[-]	kgm ²	kgm ²	[-]
1520	1SL7 458-6PA80-0C.0	990	106	95.0	95.8	96.2	96.3	0.86	0.86	0.84	0.77	14669	2.45	0.65	5.1	41	950	o.r.
1670	1SL7 502-6PA80-0C.2	992	112	95.4	96.2	96.6	96.7	0.84	0.86	0.84	0.78	16101	2.15	0.65	4.4	54	1290	o.r.
1600	1SL7 502-6PA80-0A.0	991	112	95.1	96.0	96.5	96.6	0.85	0.86	0.85	0.78	15434	2.15	0.85	4.6	42	800	o.r.
1950	1SL7 503-6PA80-0C.2	992	126	95.7	96.3	96.7	96.7	0.85	0.86	0.83	0.75	18785	2.30	0.80	4.7	60	1240	o.r.
1800	1SL7 503-6PA80-0A.0	991	126	95.3	96.1	96.6	96.7	0.85	0.86	0.85	0.78	17362	2.15	0.90	4.7	46	840	o.r.
2130	1SL7 504-6PA80-0C.2	992	138	95.9	96.5	96.8	96.8	0.85	0.86	0.82	0.74	20512	2.40	0.80	4.8	66	1640	o.r.
1970	1SL7 504-6PA80-0A.2	991	138	95.5	96.2	96.7	96.7	0.86	0.86	0.84	0.76	19002	2.30	1.00	5.0	51	980	o.r.
2300	1SL7 507-6PA80-0C.2	992	156	96.0	96.6	96.9	96.8	0.86	0.86	0.83	0.75	22136	2.45	0.80	5.0	74	1580	o.r.
2220	1SL7 507-6PA80-0A.2	991	138	95.7	96.4	96.9	97.0	0.86	0.86	0.85	0.79	21411	2.25	0.90	4.9	58	1360	o.r.
2370	1SL7 508-6PA80-0A.2	991	156	96.0	96.5	96.9	97.0	0.86	0.86	0.84	0.76	22847	2.45	0.95	5.4	63	1800	o.r.
2500	1SL7 508-6PA80-0C.2	992	174	96.2	96.7	97.0	97.0	0.86	0.86	0.84	0.77	24060	2.45	0.85	5.1	81	1990	o.r.
3000	1SL7 562-6PA80-0C.2	992	210	95.9	96.5	96.7	96.7	0.85	0.86	0.84	0.80	28896	2.00	0.60	5.2	105	1935	o.r.
3250	1SL7 563-6PA80-0C.2	992	225	96.0	96.5	96.8	96.8	0.85	0.86	0.84	0.80	31301	2.00	0.60	5.2	113	1970	o.r.
3550	1SL7 564-6PA80-0C.2	992	245	96.1	96.7	96.9	96.9	0.85	0.86	0.85	0.80	34188	2.00	0.60	5.5	124	1965	o.r.
3900	1SL7 567-6PA80-0C.2	993	270	96.3	96.7	97.0	97.0	0.85	0.86	0.85	0.81	37545	2.00	0.60	5.2	137	2350	o.r.
4200	1SL7 568-6PA80-0C.2	993	290	96.5	96.9	97.1	97.1	0.86	0.86	0.85	0.81	40414	2.00	0.60	5.5	151	3125	o.r.
4700	1SL8 632-6PA80-0C.0	991	325	96.3	96.9	97.1	97.0	0.84	0.86	0.83	0.76	45289	2.15	0.55	4.9	193	2130	o.r.
5000	1SL8 633-6PA80-0C.2	991	345	96.3	96.9	97.2	97.2	0.84	0.86	0.84	0.79	48180	2.05	0.50	4.7	209	2320	o.r.
5400	1SL8 634-6PA80-0C.0	992	370	96.4	97.0	97.3	97.2	0.84	0.87	0.85	0.80	51982	2.05	0.50	4.7	227	2580	o.r.
5850	1SL8 637-6PA80-0C.0	992	400	96.5	97.1	97.4	97.3	0.85	0.87	0.85	0.80	56314	2.10	0.50	4.7	247	2860	o.r.
6400	1SL8 638-6PA80-0C.0	992	435	96.7	97.2	97.4	97.2	0.86	0.87	0.84	0.78	61608	2.25	0.60	5.1	265	3100	o.r.
6800	1SL8 712-6PA80-0C.0	993	465	96.8	97.3	97.6	97.5	0.85	0.87	0.85	0.80	65393	2.15	0.50	5.1	331	2590	o.r.
7550	1SL8 713-6PA80-0C.0	994	510	97.0	97.5	97.7	97.5	0.86	0.87	0.85	0.79	72532	2.30	0.60	5.4	374	2990	o.r.
8750	1SL8 714-6PA80-0C.0	994	600	97.1	97.5	97.7	97.6	0.85	0.87	0.85	0.79	84061	2.25	0.50	5.4	423	3310	o.r.
9500	1SL8 717-6PA80-0C.0	994	640	97.2	97.6	97.8	97.7	0.87	0.88	0.87	0.81	91266	2.30	0.60	5.5	478	3770	o.r.
10500	1SL8 718-6PA80-0C.0	994	720	97.3	97.7	97.8	97.6	0.86	0.86	0.83	0.76	100873	2.35	0.50	5.5	520	4500	o.r.
8-pole: n _{sync} = 750 rpm at 50 Hz																		
670	1SL7 451-8PA80-0A.0	741	51	93.5	94.6	95.0	95.0	0.80	0.80	0.73	0.61	8632	2.05	0.70	5.0	23	580	o.r.
680	1SL7 451-8PA80-0C.0	741	51	93.6	94.6	95.0	95.1	0.82	0.81	0.75	0.63	8758	2.25	0.65	5.1	30	790	o.r.
760	1SL7 452-8PA80-0A.0	741	57	93.7	94.8	95.3	95.4	0.81	0.81	0.76	0.64	9794	2.05	0.70	5.0	25	790	o.r.
770	1SL7 452-8PA80-0C.0	741	57	93.8	94.9	95.3	95.5	0.82	0.82	0.77	0.66	9918	2.25	0.65	5.1	32	1060	o.r.
860	1SL7 453-8PA80-0A.0	741	65	94.2	95.1	95.4	95.4	0.80	0.80	0.73	0.60	11076	2.25	0.75	5.0	28	1030	o.r.
890	1SL7 453-8PA80-0C.2	742	67	94.2	95.2	95.5	95.5	0.82	0.81	0.75	0.63	11461	2.40	0.65	5.0	36	1230	o.r.
950	1SL7 454-8PA80-0A.0	741	71	94.2	95.2	95.6	95.7	0.81	0.81	0.75	0.63	12242	2.20	0.75	5.0	31	1170	o.r.
980	1SL7 454-8PA80-0C.2	742	72	94.3	95.3	95.7	95.7	0.83	0.82	0.77	0.66	12623	2.45	0.70	5.1	40	1430	o.r.
1030	1SL7 457-8PA80-0A.0	741	77	94.4	95.4	95.8	95.8	0.82	0.81	0.76	0.65	13272	2.25	0.80	5.2	35	1340	o.r.
1060	1SL7 457-8PA80-0C.0	742	77	94.5	95.4	95.8	95.8	0.83	0.83	0.78	0.67	13650	2.45	0.70	5.2	45	1680	o.r.

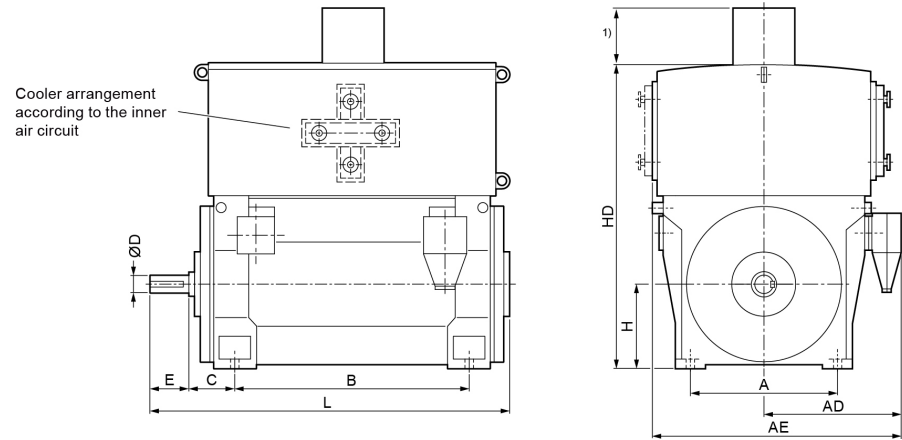
Innomotics HV M - 1SL, IC86W 10000 V / 50 Hz B3 (IM 1001)																			
Rated power IEC	Article No.	Speed	Rated current I_R	Efficiency				Power factor				Torque T_R	Breakdown torque T_B/ T_R	Locked rotor torque T_{LR}/ T_R	Locked rotor current I_{LR}/ I_R	Inertia			
				5/4 load	4/4 load	3/4 load	2/4 load	5/4 load	4/4 load	3/4 load	2/4 load					motor	external	Startup max T/TR	
kW		rpm	A	%	%	%	%	$\cos \varphi$	$\cos \varphi$	$\cos \varphi$	$\cos \varphi$	Nm	[-]	[-]	[-]	kgm ²	kgm ²	[-]	
1120	1SL7 458-8PA80-0A.2	742	84	94.6	95.6	95.8	95.8	0.82	0.81	0.76	0.64	14424	2.30	0.80	5.3	39	1440	o.r.	
1140	1SL7 458-8PA80-0C.2	742	83	94.7	95.6	95.9	95.9	0.83	0.83	0.77	0.66	14669	2.55	0.75	5.5	50	1830	o.r.	
1250	1SL7 502-8PA80-0C.2	742	91	95.1	95.9	96.3	96.5	0.81	0.83	0.80	0.73	16083	2.10	0.50	4.0	59	2570	o.r.	
1250	1SL7 502-8PA80-0A.2	742	92	94.8	95.8	96.3	96.5	0.81	0.82	0.82	0.75	16088	1.90	0.70	3.9	46	1310	o.r.	
1380	1SL7 503-8PA80-0A.2	743	102	95.2	95.9	96.4	96.5	0.82	0.82	0.80	0.73	17743	2.10	0.80	4.2	51	1920	o.r.	
1400	1SL7 503-8PA80-0C.2	742	102	95.1	95.9	96.4	96.6	0.82	0.83	0.80	0.74	18017	2.05	0.55	4.0	65	2370	o.r.	
1550	1SL7 504-8PA80-0A.2	743	112	95.3	96.1	96.5	96.6	0.82	0.83	0.80	0.73	19942	2.10	0.80	4.3	56	2870	o.r.	
1600	1SL7 504-8PA80-0C.2	742	116	95.2	96.0	96.5	96.7	0.81	0.83	0.82	0.74	20596	2.05	0.55	3.9	72	2420	o.r.	
1720	1SL7 507-8PA80-0A.2	743	126	95.6	96.2	96.6	96.6	0.82	0.82	0.80	0.72	22119	2.15	0.85	4.4	63	3460	o.r.	
1760	1SL7 507-8PA80-0C.2	743	128	95.5	96.2	96.6	96.8	0.82	0.83	0.80	0.74	22637	2.15	0.55	4.1	80	3320	o.r.	
1810	1SL7 508-8PA80-0A.2	744	134	95.8	96.3	96.5	96.4	0.82	0.81	0.77	0.67	23242	2.50	0.95	5.0	69	3350	o.r.	
1900	1SL7 508-8PA80-0C.2	743	138	95.8	96.3	96.6	96.6	0.82	0.82	0.79	0.70	24416	2.40	0.65	4.6	88	4080	o.r.	
2050	1SL7 562-8PA80-0C.2	744	148	95.4	96.1	96.4	96.2	0.82	0.83	0.80	0.73	26331	2.05	0.55	4.5	115	2835	o.r.	
2280	1SL7 563-8PA80-0C.2	744	164	95.6	96.2	96.5	96.3	0.82	0.83	0.80	0.73	29302	2.10	0.60	4.5	124	2985	o.r.	
2600	1SL7 564-8PA80-0C.2	744	188	95.8	96.4	96.7	96.5	0.82	0.83	0.80	0.74	33424	2.05	0.60	4.5	137	4255	o.r.	
2900	1SL7 567-8PA80-0C.2	744	210	96.0	96.5	96.8	96.6	0.82	0.83	0.80	0.73	37275	2.10	0.55	4.6	150	5395	o.r.	
3150	1SL7 568-8PA80-0C.2	744	225	96.1	96.6	96.9	96.6	0.83	0.83	0.81	0.74	40482	2.10	0.60	4.6	165	6300	o.r.	
3750	1SL8 634-8PA80-0C.0	743	265	95.6	96.3	96.5	96.4	0.84	0.85	0.82	0.76	48196	1.90	0.40	4.2	251	4130	o.r.	
4200	1SL8 637-8PA80-0C.0	744	290	96.0	96.5	96.6	96.3	0.85	0.86	0.81	0.73	53907	2.20	0.50	4.8	292	5610	o.r.	
4450	1SL8 638-8PA80-0C.0	744	310	96.2	96.7	96.7	96.4	0.86	0.86	0.81	0.72	57116	2.30	0.55	5.1	326	7020	o.r.	
4750	1SL8 712-8PA80-0C.0	745	310	96.3	96.7	96.8	96.5	0.86	0.86	0.81	0.72	60885	2.40	0.50	5.1	422	4890	o.r.	
5250	1SL8 713-8PA80-0C.0	745	345	96.4	96.8	96.9	96.6	0.87	0.87	0.83	0.74	67294	2.45	0.60	5.3	474	4570	o.r.	
6000	1SL8 714-8PA80-0C.0	746	390	96.6	97.0	97.0	96.6	0.86	0.86	0.81	0.72	76804	2.40	0.55	5.1	539	5540	o.r.	
6800	1SL8 717-8PA80-0C.0	746	440	96.7	97.0	97.0	96.6	0.85	0.85	0.80	0.70	87045	2.40	0.50	5.1	614	6160	o.r.	
7400	1SL8 718-8PA80-0C.0	746	495	96.8	97.1	97.0	96.6	0.86	0.85	0.80	0.69	94725	2.50	0.50	5.3	677	7320	o.r.	



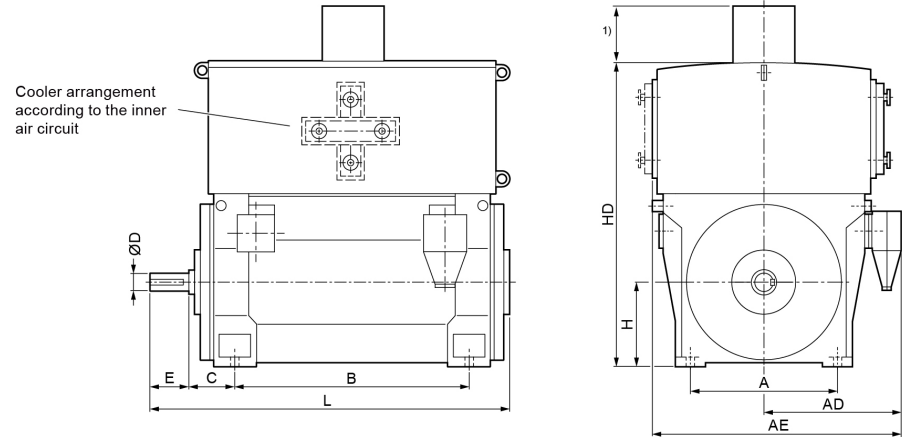
Motor type	Weight	Dimensions										
		A	AD	AE	B	C	D	E	H	HD	L	ML
	kg	mm	mm	mm	mm	mm	mm	mm	mm	mm	mm	mm
Innomotics HV M - 1SL. IC86W 10000 V / 50 Hz B3 (IM 1001) - Dimension drawings												
2-pole												
1SL7 453-2PA80-0AA2	4450	850	1140	1760	1180	250	95	130	450	2350	1790	o.r.
1SL7 453-2PA80-0AC2	4350	850	1140	1760	1180	475	95	130	450	2350	2010	o.r.
1SL7 453-2PA80-0CA0	4550	850	1140	1760	1180	250	95	130	450	2350	1790	o.r.
1SL7 453-2PA80-0CC0	4500	850	1140	1760	1180	475	95	130	450	2350	2010	o.r.
1SL7 454-2PA80-0AA2	4550	850	1140	1760	1180	250	95	130	450	2350	1790	o.r.
1SL7 454-2PA80-0AC2	4450	850	1140	1760	1180	475	95	130	450	2350	2010	o.r.
1SL7 454-2PA80-0CA2	4700	850	1140	1760	1180	250	95	130	450	2350	1790	o.r.
1SL7 454-2PA80-0CC2	4600	850	1140	1760	1180	475	95	130	450	2350	2010	o.r.
1SL7 457-2PA80-0AA2	4950	850	1140	1760	1400	250	95	130	450	2350	2000	o.r.
1SL7 457-2PA80-0AC2	4850	850	1140	1760	1400	475	95	130	450	2350	2220	o.r.
1SL7 457-2PA80-0CA2	5100	850	1140	1760	1400	250	95	130	450	2350	2000	o.r.
1SL7 457-2PA80-0CC2	5000	850	1140	1760	1400	475	95	130	450	2350	2220	o.r.
1SL7 458-2PA80-0AA2	5150	850	1140	1760	1400	250	95	130	450	2350	2000	o.r.
1SL7 458-2PA80-0AC2	5050	850	1140	1760	1400	475	95	130	450	2350	2220	o.r.
1SL7 458-2PA80-0CA2	5300	850	1140	1760	1400	250	95	130	450	2350	2000	o.r.
1SL7 458-2PA80-0CC2	5200	850	1140	1760	1400	475	95	130	450	2350	2220	o.r.
1SL7 503-2PA80-0AA0	5900	950	1220	1920	1320	250	110	165	500	2640	2000	o.r.
1SL7 503-2PA80-0AC0	5850	950	1220	1920	1320	530	120	165	500	2640	2280	o.r.
1SL7 503-2PA80-0CA0	6050	950	1220	1920	1320	250	110	165	500	2640	2000	o.r.
1SL7 503-2PA80-0CC0	6000	950	1220	1920	1320	530	120	165	500	2640	2280	o.r.
1SL7 504-2PA80-0AA0	6000	950	1220	1920	1320	250	110	165	500	2640	2000	o.r.
1SL7 504-2PA80-0AC0	5900	950	1220	1920	1320	530	120	165	500	2640	2280	o.r.



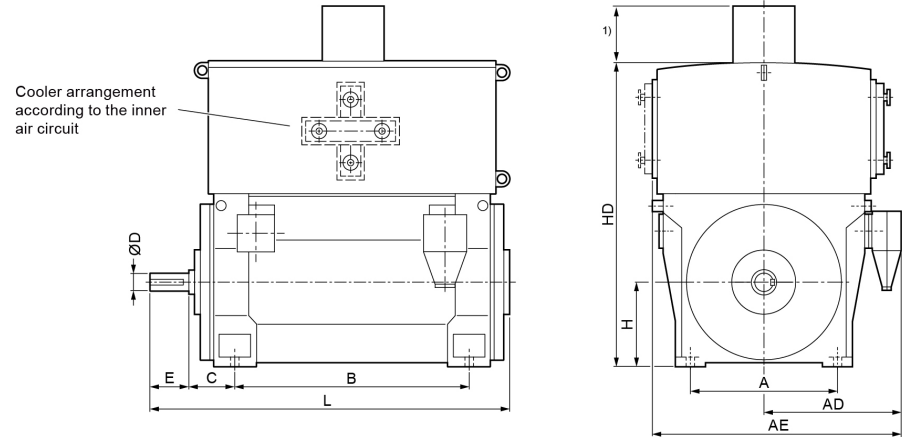
Motor type	Weight	Dimensions											
		A	AD	AE	B	C	D	E	H	HD	L	ML	
	kg	mm	mm	mm	mm	mm	mm	mm	mm	mm	mm	mm	mm
Innomotics HV M - 1SL. IC86W 10000 V / 50 Hz B3 (IM 1001) - Dimension drawings													
1SL7 504-2PA80-0CA2	6150	950	1220	1920	1320	250	110	165	500	2640	2000	o.r.	
1SL7 504-2PA80-0CC2	6050	950	1220	1920	1320	530	120	165	500	2640	2280	o.r.	
1SL7 507-2PA80-0AA2	6600	950	1220	1920	1500	250	110	165	500	2640	2210	o.r.	
1SL7 507-2PA80-0AC2	6550	950	1220	1920	1500	530	120	165	500	2640	2490	o.r.	
1SL7 507-2PA80-0CA2	6800	950	1220	1920	1500	250	110	165	500	2640	2210	o.r.	
1SL7 507-2PA80-0CC2	6700	950	1220	1920	1500	530	120	165	500	2640	2490	o.r.	
1SL7 508-2PA80-0AA2	7000	950	1220	1920	1500	250	110	165	500	2640	2210	o.r.	
1SL7 508-2PA80-0AC2	6900	950	1220	1920	1500	530	120	165	500	2640	2490	o.r.	
1SL7 508-2PA80-0CA2	7150	950	1220	1920	1500	250	110	165	500	2640	2210	o.r.	
1SL7 508-2PA80-0CC2	7100	950	1220	1920	1500	530	120	165	500	2640	2490	o.r.	
1SL7 562-2PA80-0CC2	7950	1060	1290	2060	1400	600	150	200	560	2830	2530	o.r.	
1SL7 563-2PA80-0CC2	8250	1060	1290	2060	1400	600	150	200	560	2830	2530	o.r.	
1SL7 564-2PA80-0CC2	8500	1060	1290	2060	1400	600	150	200	560	2830	2530	o.r.	
1SL7 567-2PA80-0CC2	9350	1060	1290	2060	1600	600	150	200	560	2830	2760	o.r.	
1SL7 568-2PA80-0CC2	9900	1060	1290	2060	1600	600	150	200	560	2830	2760	o.r.	
1SL8 632-2PA80-0CJ0	9500	1320	1520	2520	1600	560	160	240	630	3090	2760	o.r.	
1SL8 633-2PA80-0CJ0	10000	1320	1520	2520	1600	560	160	240	630	3090	2760	o.r.	
1SL8 634-2PA80-0CJ0	10500	1320	1520	2520	1600	560	160	240	630	3090	2760	o.r.	
1SL8 637-2PA80-0CJ0	11250	1320	1520	2520	1800	560	160	240	630	3090	2960	o.r.	
1SL8 638-2PA80-0CJ0	11900	1320	1520	2520	1800	560	160	240	630	3090	2960	o.r.	
1SL8 712-2PA80-0CJ0	13350	1500	1620	2720	2000	560	180	240	710	3360	3150	o.r.	
1SL8 713-2PA80-0CJ0	14000	1500	1620	2720	2000	560	180	240	710	3360	3150	o.r.	
1SL8 714-2PA80-0CJ0	14750	1500	1620	2720	2000	560	180	240	710	3360	3150	o.r.	



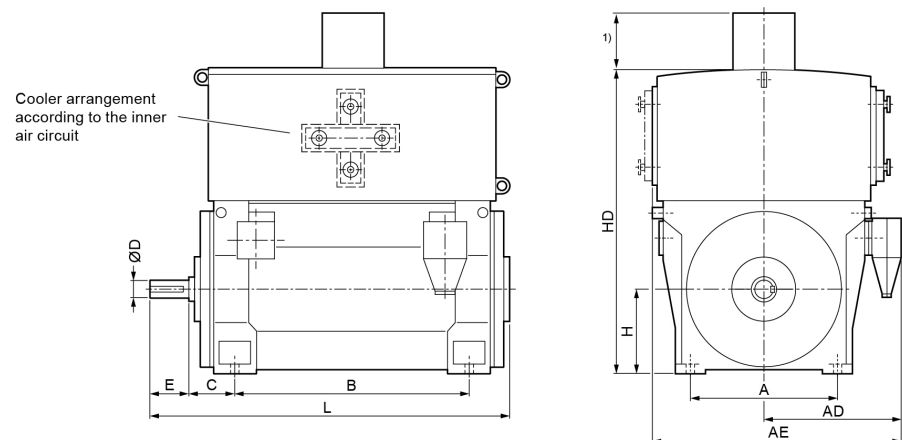
Motor type	Weight	Dimensions											
		A	AD	AE	B	C	D	E	H	HD	L	ML	
	kg	mm	mm	mm	mm	mm	mm	mm	mm	mm	mm	mm	mm
Innomotics HV M - 1SL. IC86W 10000 V / 50 Hz B3 (IM 1001) - Dimension drawings													
1SL8 716-2PA80-0CJ0	15600	1500	1620	2720	2240	560	180	240	710	3360	3390	o.r.	
1SL8 717-2PA80-0CJ0	16450	1500	1620	2720	2240	560	180	240	710	3360	3390	o.r.	
1SL8 718-2PA80-0CJ0	17150	1500	1620	2720	2240	560	180	240	710	3360	3390	o.r.	
4-pole													
1SL7 453-4PA80-0AA0	4450	850	1140	1760	1180	250	130	200	450	1940	2290	o.r.	
1SL7 453-4PA80-0AC0	4500	850	1140	1760	1180	500	130	200	450	1940	2540	o.r.	
1SL7 453-4PA80-0CA0	4600	850	1140	1760	1180	250	130	200	450	1940	2290	o.r.	
1SL7 453-4PA80-0CC0	4650	850	1140	1760	1180	500	130	200	450	1940	2540	o.r.	
1SL7 454-4PA80-0AA0	4650	850	1140	1760	1180	250	130	200	450	1940	2290	o.r.	
1SL7 454-4PA80-0AC0	4650	850	1140	1760	1180	500	130	200	450	1940	2540	o.r.	
1SL7 454-4PA80-0CA2	4800	850	1140	1760	1180	250	130	200	450	1940	2290	o.r.	
1SL7 454-4PA80-0CC2	4800	850	1140	1760	1180	500	130	200	450	1940	2540	o.r.	
1SL7 457-4PA80-0CA2	5400	850	1140	1760	1400	250	130	200	450	1940	2500	o.r.	
1SL7 457-4PA80-0CC2	5450	850	1140	1760	1400	500	130	200	450	1940	2750	o.r.	
1SL7 457-4PA80-0AA0	5250	850	1140	1760	1400	250	130	200	450	1940	2500	o.r.	
1SL7 457-4PA80-0AC0	5250	850	1140	1760	1400	500	130	200	450	1940	2750	o.r.	
1SL7 458-4PA80-0AA2	5450	850	1140	1760	1400	250	130	200	450	1940	2500	o.r.	
1SL7 458-4PA80-0AC2	5450	850	1140	1760	1400	500	130	200	450	1940	2750	o.r.	
1SL7 458-4PA80-0CA2	5600	850	1140	1760	1400	250	130	200	450	1940	2500	o.r.	
1SL7 458-4PA80-0CC2	5650	850	1140	1760	1400	500	130	200	450	1940	2750	o.r.	
1SL7 503-4PA80-0AA2	6200	950	1220	1920	1320	315	160	240	500	2640	2140	o.r.	
1SL7 503-4PA80-0AC2	6250	950	1220	1920	1320	560	170	240	500	2640	2380	o.r.	
1SL7 503-4PA80-0CA0	6300	950	1220	1920	1320	315	160	240	500	2640	2140	o.r.	



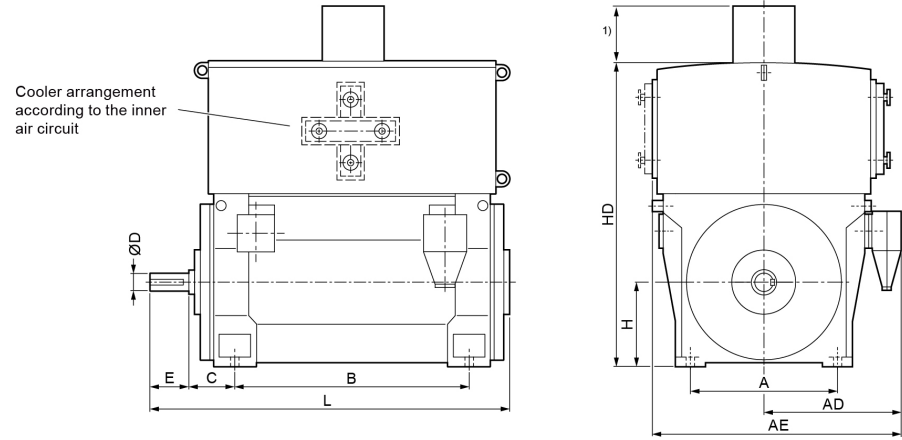
Motor type	Weight	Dimensions										
		A	AD	AE	B	C	D	E	H	HD	L	ML
	kg	mm	mm	mm	mm	mm	mm	mm	mm	mm	mm	mm
Innomotics HV M - 1SL. IC86W 10000 V / 50 Hz B3 (IM 1001) - Dimension drawings												
1SL7 503-4PA80-0CC0	6400	950	1220	1920	1320	560	170	240	500	2640	2380	o.r.
1SL7 504-4PA80-0CA2	6600	950	1220	1920	1320	315	160	240	500	2640	2140	o.r.
1SL7 504-4PA80-0CC2	6650	950	1220	1920	1320	560	170	240	500	2640	2380	o.r.
1SL7 504-4PA80-0AA2	6450	950	1220	1920	1320	315	160	240	500	2640	2140	o.r.
1SL7 504-4PA80-0AC2	6550	950	1220	1920	1320	560	170	240	500	2640	2380	o.r.
1SL7 507-4PA80-0CA2	7250	950	1220	1920	1500	315	160	240	500	2640	2350	o.r.
1SL7 507-4PA80-0CC2	7350	950	1220	1920	1500	560	170	240	500	2640	2590	o.r.
1SL7 507-4PA80-0AA2	7050	950	1220	1920	1500	315	160	240	500	2640	2350	o.r.
1SL7 507-4PA80-0AC2	7150	950	1220	1920	1500	560	170	240	500	2640	2590	o.r.
1SL7 508-4PA80-0CA2	7600	950	1220	1920	1500	315	160	240	500	2640	2350	o.r.
1SL7 508-4PA80-0CC2	7700	950	1220	1920	1500	560	170	240	500	2640	2590	o.r.
1SL7 508-4PA80-0AA2	7400	950	1220	1920	1500	315	160	240	500	2640	2350	o.r.
1SL7 508-4PA80-0AC2	7500	950	1220	1920	1500	560	170	240	500	2640	2590	o.r.
1SL7 563-4PA80-0CA2	8300	1060	1290	2060	1400	335	190	280	560	2830	2340	o.r.
1SL7 563-4PA80-0CC2	8350	1060	1290	2060	1400	600	190	280	560	2830	2610	o.r.
1SL7 564-4PA80-0CA2	8750	1060	1290	2060	1400	335	190	280	560	2830	2340	o.r.
1SL7 564-4PA80-0CC2	8800	1060	1290	2060	1400	600	190	280	560	2830	2610	o.r.
1SL7 566-4PA80-0CA2	9600	1060	1290	2060	1600	335	190	280	560	2830	2570	o.r.
1SL7 566-4PA80-0CC2	9650	1060	1290	2060	1600	600	190	280	560	2830	2840	o.r.
1SL7 567-4PA80-0CA2	10000	1060	1290	2060	1600	335	190	280	560	2830	2570	o.r.
1SL7 567-4PA80-0CC2	10050	1060	1290	2060	1600	600	190	280	560	2830	2840	o.r.
1SL7 568-4PA80-0CA2	10450	1060	1290	2060	1600	335	190	280	560	2830	2570	o.r.
1SL7 568-4PA80-0CC2	10550	1060	1290	2060	1600	600	190	280	560	2830	2840	o.r.



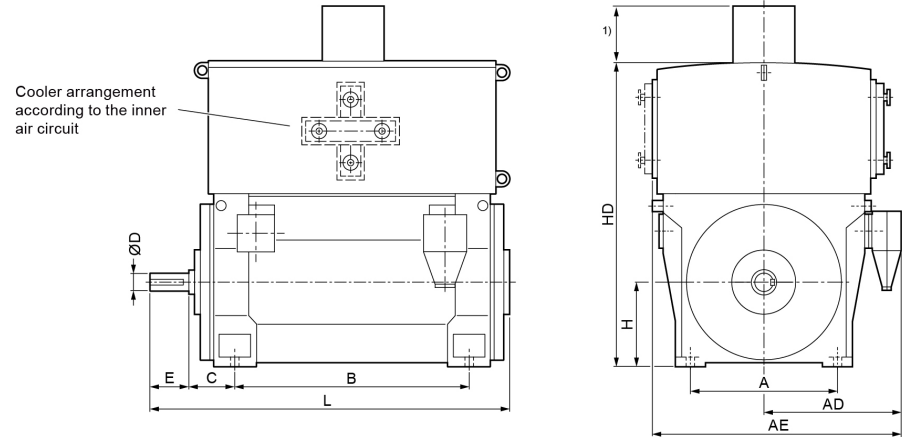
Motor type	Weight	Dimensions											
		A	AD	AE	B	C	D	E	H	HD	L	ML	
	kg	mm	mm	mm	mm	mm	mm	mm	mm	mm	mm	mm	
Innomotics HV M - 1SL. IC86W 10000 V / 50 Hz B3 (IM 1001) - Dimension drawings													
1SL8 633-4PA80-0CG0	10650	1320	1520	2520	1600	375	200	280	630	3090	2620	o.r.	
1SL8 633-4PA80-0CJ0	10750	1320	1520	2520	1600	630	200	280	630	3090	2870	o.r.	
1SL8 634-4PA80-0CG0	11200	1320	1520	2520	1600	375	200	280	630	3090	2620	o.r.	
1SL8 634-4PA80-0CJ0	11350	1320	1520	2520	1600	630	200	280	630	3090	2870	o.r.	
1SL8 637-4PA80-0CG0	12100	1320	1520	2520	1800	375	200	280	630	3090	2820	o.r.	
1SL8 637-4PA80-0CJ0	12200	1320	1520	2520	1800	630	200	280	630	3090	3070	o.r.	
1SL8 638-4PA80-0CG0	12700	1320	1520	2520	1800	375	200	280	630	3090	2820	o.r.	
1SL8 638-4PA80-0CJ0	12800	1320	1520	2520	1800	630	200	280	630	3090	3070	o.r.	
1SL8 712-4PA80-0CG0	14500	1500	1620	2720	2000	375	220	280	710	3360	3010	o.r.	
1SL8 712-4PA80-0CJ0	14650	1500	1620	2720	2000	630	220	280	710	3360	3260	o.r.	
1SL8 713-4PA80-0CG0	15200	1500	1620	2720	2000	375	220	280	710	3360	3010	o.r.	
1SL8 713-4PA80-0CJ0	15300	1500	1620	2720	2000	630	220	280	710	3360	3260	o.r.	
1SL8 714-4PA80-0CG0	15900	1500	1620	2720	2000	375	220	280	710	3360	3010	o.r.	
1SL8 714-4PA80-0CJ0	16050	1500	1620	2720	2000	630	220	280	710	3360	3260	o.r.	
1SL8 717-4PA80-0CG0	17050	1500	1620	2720	2240	375	220	280	710	3360	3250	o.r.	
1SL8 717-4PA80-0CJ0	17200	1500	1620	2720	2240	630	220	280	710	3360	3500	o.r.	
1SL8 718-4PA80-0CG2	17650	1500	1620	2720	2240	375	220	280	710	3360	3250	o.r.	
1SL8 718-4PA80-0CJ2	17800	1500	1620	2720	2240	630	220	280	710	3360	3500	o.r.	
6-pole													
1SL7 452-6PA80-0AA0	4300	850	1140	1760	1180	250	130	200	450	1940	2290	o.r.	
1SL7 452-6PA80-0AC0	4350	850	1140	1760	1180	500	130	200	450	1940	2540	o.r.	
1SL7 452-6PA80-0CA0	4450	850	1140	1760	1180	250	130	200	450	1940	2290	o.r.	
1SL7 452-6PA80-0CC0	4500	850	1140	1760	1180	500	130	200	450	1940	2540	o.r.	



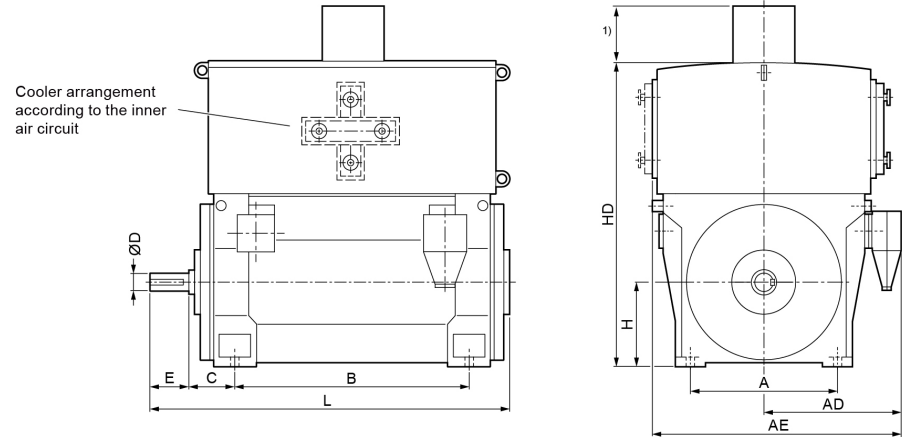
Motor type	Weight	Dimensions										
		A	AD	AE	B	C	D	E	H	HD	L	ML
	kg	mm	mm	mm	mm	mm	mm	mm	mm	mm	mm	mm
Innomotics HV M - 1SL. IC86W 10000 V / 50 Hz B3 (IM 1001) - Dimension drawings												
1SL7 453-6PA80-0AA0	4450	850	1140	1760	1180	250	130	200	450	1940	2290	o.r.
1SL7 453-6PA80-0AC0	4500	850	1140	1760	1180	500	130	200	450	1940	2540	o.r.
1SL7 453-6PA80-0CA0	4600	850	1140	1760	1180	250	130	200	450	1940	2290	o.r.
1SL7 453-6PA80-0CC0	4650	850	1140	1760	1180	500	130	200	450	1940	2540	o.r.
1SL7 454-6PA80-0AA0	4650	850	1140	1760	1180	250	130	200	450	1940	2290	o.r.
1SL7 454-6PA80-0AC0	4650	850	1140	1760	1180	500	130	200	450	1940	2540	o.r.
1SL7 454-6PA80-0CA0	4800	850	1140	1760	1180	250	130	200	450	1940	2290	o.r.
1SL7 454-6PA80-0CC0	4850	850	1140	1760	1180	500	130	200	450	1940	2540	o.r.
1SL7 457-6PA80-0AA0	5100	850	1140	1760	1400	250	130	200	450	1940	2500	o.r.
1SL7 457-6PA80-0AC0	5150	850	1140	1760	1400	500	130	200	450	1940	2750	o.r.
1SL7 457-6PA80-0CA0	5300	850	1140	1760	1400	250	130	200	450	1940	2500	o.r.
1SL7 457-6PA80-0CC0	5300	850	1140	1760	1400	500	130	200	450	1940	2750	o.r.
1SL7 458-6PA80-0AA0	5400	850	1140	1760	1400	250	130	200	450	1940	2500	o.r.
1SL7 458-6PA80-0AC0	5400	850	1140	1760	1400	500	130	200	450	1940	2750	o.r.
1SL7 458-6PA80-0CA0	5600	850	1140	1760	1400	250	130	200	450	1940	2500	o.r.
1SL7 458-6PA80-0CC0	5600	850	1140	1760	1400	500	130	200	450	1940	2750	o.r.
1SL7 502-6PA80-0CA2	6250	950	1220	1920	1320	315	160	240	500	2230	2520	o.r.
1SL7 502-6PA80-0CC2	6300	950	1220	1920	1320	560	170	240	500	2230	2760	o.r.
1SL7 502-6PA80-0AA0	6000	950	1220	1920	1320	315	160	240	500	2230	2520	o.r.
1SL7 502-6PA80-0AC0	6050	950	1220	1920	1320	560	170	240	500	2230	2760	o.r.
1SL7 503-6PA80-0CA2	6500	950	1220	1920	1320	315	160	240	500	2230	2520	o.r.
1SL7 503-6PA80-0CC2	6550	950	1220	1920	1320	560	170	240	500	2230	2760	o.r.
1SL7 503-6PA80-0AA0	6250	950	1220	1920	1320	315	160	240	500	2230	2520	o.r.



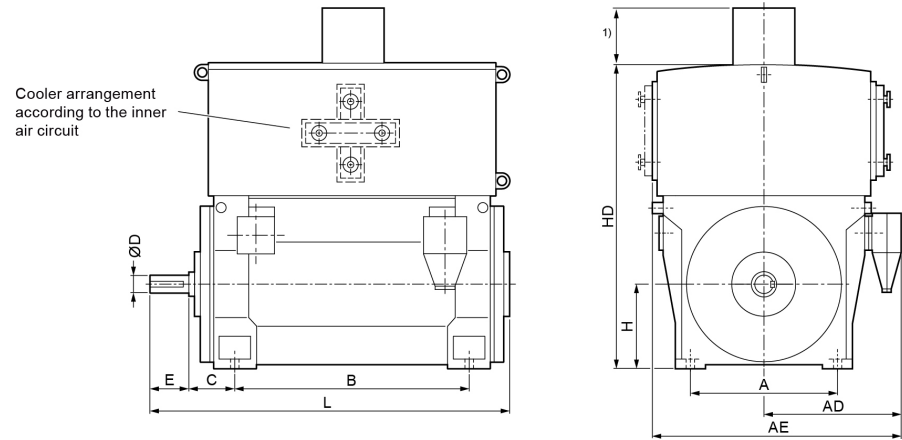
Motor type	Weight	Dimensions												
		A	AD	AE	B	C	D	E	H	HD	L	ML		
	kg	mm	mm	mm	mm	mm	mm	mm	mm	mm	mm	mm	mm	
Innomotics HV M - 1SL. IC86W 10000 V / 50 Hz B3 (IM 1001) - Dimension drawings														
1SL7 503-6PA80-0AC0	6300	950	1220	1920	1320	560	170	240	500	2230	2760	o.r.		
1SL7 504-6PA80-0CA2	6750	950	1220	1920	1320	315	160	240	500	2230	2520	o.r.		
1SL7 504-6PA80-0CC2	6800	950	1220	1920	1320	560	170	240	500	2230	2760	o.r.		
1SL7 504-6PA80-0AA2	6500	950	1220	1920	1320	315	160	240	500	2230	2520	o.r.		
1SL7 504-6PA80-0AC2	6550	950	1220	1920	1320	560	170	240	500	2230	2760	o.r.		
1SL7 507-6PA80-0CA2	7400	950	1220	1920	1500	315	160	240	500	2230	2730	o.r.		
1SL7 507-6PA80-0CC2	7500	950	1220	1920	1500	560	170	240	500	2230	2970	o.r.		
1SL7 507-6PA80-0AA2	7200	950	1220	1920	1500	315	160	240	500	2230	2730	o.r.		
1SL7 507-6PA80-0AC2	7250	950	1220	1920	1500	560	170	240	500	2230	2970	o.r.		
1SL7 508-6PA80-0AA2	7500	950	1220	1920	1500	315	160	240	500	2230	2730	o.r.		
1SL7 508-6PA80-0AC2	7550	950	1220	1920	1500	560	170	240	500	2230	2970	o.r.		
1SL7 508-6PA80-0CA2	7800	950	1220	1920	1500	315	160	240	500	2230	2730	o.r.		
1SL7 508-6PA80-0CC2	7850	950	1220	1920	1500	560	170	240	500	2230	2970	o.r.		
1SL7 562-6PA80-0CA2	8700	1060	1290	2060	1400	335	190	280	560	2680	2770	o.r.		
1SL7 562-6PA80-0CC2	8750	1060	1290	2060	1400	600	190	280	560	2680	3030	o.r.		
1SL7 563-6PA80-0CA2	8950	1060	1290	2060	1400	335	190	280	560	2680	2770	o.r.		
1SL7 563-6PA80-0CC2	9050	1060	1290	2060	1400	600	190	280	560	2680	3030	o.r.		
1SL7 564-6PA80-0CA2	9350	1060	1290	2060	1400	335	190	280	560	2680	2770	o.r.		
1SL7 564-6PA80-0CC2	9450	1060	1290	2060	1400	600	190	280	560	2680	3030	o.r.		
1SL7 567-6PA80-0CA2	10150	1060	1290	2060	1600	335	190	280	560	2680	3000	o.r.		
1SL7 567-6PA80-0CC2	10250	1060	1290	2060	1600	600	190	280	560	2680	3260	o.r.		
1SL7 568-6PA80-0CA2	10800	1060	1290	2060	1600	335	190	280	560	2680	3000	o.r.		
1SL7 568-6PA80-0CC2	10850	1060	1290	2060	1600	600	190	280	560	2680	3260	o.r.		



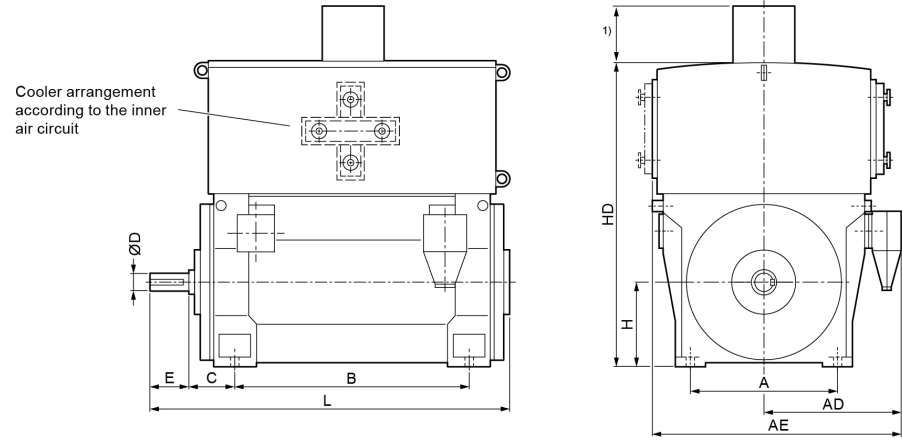
Motor type	Weight	Dimensions										
		A	AD	AE	B	C	D	E	H	HD	L	ML
	kg	mm	mm	mm	mm	mm	mm	mm	mm	mm	mm	mm
Innomotics HV M - 1SL. IC86W 10000 V / 50 Hz B3 (IM 1001) - Dimension drawings												
1SL8 632-6PA80-0CG0	10650	1320	1520	2520	1600	375	200	280	630	3090	2620	o.r.
1SL8 632-6PA80-0CJ0	10750	1320	1520	2520	1600	630	200	280	630	3090	2870	o.r.
1SL8 633-6PA80-0CG2	11100	1320	1520	2520	1600	375	200	280	630	3090	2620	o.r.
1SL8 633-6PA80-0CJ2	11200	1320	1520	2520	1600	630	200	280	630	3090	2870	o.r.
1SL8 634-6PA80-0CG0	11650	1320	1520	2520	1600	375	200	280	630	3090	2620	o.r.
1SL8 634-6PA80-0CJ0	11750	1320	1520	2520	1600	630	200	280	630	3090	2870	o.r.
1SL8 637-6PA80-0CG0	12400	1320	1520	2520	1800	375	200	280	630	3090	2820	o.r.
1SL8 637-6PA80-0CJ0	12500	1320	1520	2520	1800	630	200	280	630	3090	3070	o.r.
1SL8 638-6PA80-0CG0	12900	1320	1520	2520	1800	375	200	280	630	3090	2820	o.r.
1SL8 638-6PA80-0CJ0	13000	1320	1520	2520	1800	630	200	280	630	3090	3070	o.r.
1SL8 712-6PA80-0CG0	14450	1500	1620	2720	2000	375	220	280	710	3360	3010	o.r.
1SL8 712-6PA80-0CJ0	14600	1500	1620	2720	2000	630	220	280	710	3360	3260	o.r.
1SL8 713-6PA80-0CG0	15350	1500	1620	2720	2000	375	220	280	710	3360	3010	o.r.
1SL8 713-6PA80-0CJ0	15500	1500	1620	2720	2000	630	220	280	710	3360	3260	o.r.
1SL8 714-6PA80-0CG0	16400	1500	1620	2720	2000	375	220	280	710	3360	3010	o.r.
1SL8 714-6PA80-0CJ0	16550	1500	1620	2720	2000	630	220	280	710	3360	3260	o.r.
1SL8 717-6PA80-0CG0	17750	1500	1620	2720	2240	375	220	280	710	3360	3250	o.r.
1SL8 717-6PA80-0CJ0	17900	1500	1620	2720	2240	630	220	280	710	3360	3500	o.r.
1SL8 718-6PA80-0CG0	18800	1500	1620	2720	2240	375	220	280	710	3360	3250	o.r.
1SL8 718-6PA80-0CJ0	18950	1500	1620	2720	2240	630	220	280	710	3360	3500	o.r.
8-pole												
1SL7 451-8PA80-0AA0	4300	850	1140	1760	1180	250	130	200	450	1940	2290	o.r.
1SL7 451-8PA80-0AC0	4300	850	1140	1760	1180	500	130	200	450	1940	2540	o.r.



Motor type	Weight	Dimensions											
		A	AD	AE	B	C	D	E	H	HD	L	ML	
	kg	mm	mm	mm	mm	mm	mm	mm	mm	mm	mm	mm	mm
Innomotics HV M - 1SL. IC86W 10000 V / 50 Hz B3 (IM 1001) - Dimension drawings													
1SL7 451-8PA80-0CA0	4400	850	1140	1760	1180	250	130	200	450	1940	2290	o.r.	
1SL7 451-8PA80-0CC0	4450	850	1140	1760	1180	500	130	200	450	1940	2540	o.r.	
1SL7 452-8PA80-0AA0	4450	850	1140	1760	1180	250	130	200	450	1940	2290	o.r.	
1SL7 452-8PA80-0AC0	4500	850	1140	1760	1180	500	130	200	450	1940	2540	o.r.	
1SL7 452-8PA80-0CA0	4600	850	1140	1760	1180	250	130	200	450	1940	2290	o.r.	
1SL7 452-8PA80-0CC0	4600	850	1140	1760	1180	500	130	200	450	1940	2540	o.r.	
1SL7 453-8PA80-0AA0	4650	850	1140	1760	1180	250	130	200	450	1940	2290	o.r.	
1SL7 453-8PA80-0AC0	4700	850	1140	1760	1180	500	130	200	450	1940	2540	o.r.	
1SL7 453-8PA80-0CA2	4800	850	1140	1760	1180	250	130	200	450	1940	2290	o.r.	
1SL7 453-8PA80-0CC2	4850	850	1140	1760	1180	500	130	200	450	1940	2540	o.r.	
1SL7 454-8PA80-0AA0	4900	850	1140	1760	1180	250	130	200	450	1940	2290	o.r.	
1SL7 454-8PA80-0AC0	4900	850	1140	1760	1180	500	130	200	450	1940	2540	o.r.	
1SL7 454-8PA80-0CA2	5050	850	1140	1760	1180	250	130	200	450	1940	2290	o.r.	
1SL7 454-8PA80-0CC2	5100	850	1140	1760	1180	500	130	200	450	1940	2540	o.r.	
1SL7 457-8PA80-0AA0	5350	850	1140	1760	1400	250	130	200	450	1940	2500	o.r.	
1SL7 457-8PA80-0AC0	5400	850	1140	1760	1400	500	130	200	450	1940	2750	o.r.	
1SL7 457-8PA80-0CA0	5550	850	1140	1760	1400	250	130	200	450	1940	2500	o.r.	
1SL7 457-8PA80-0CC0	5600	850	1140	1760	1400	500	130	200	450	1940	2750	o.r.	
1SL7 458-8PA80-0AA2	5600	850	1140	1760	1400	250	130	200	450	1940	2500	o.r.	
1SL7 458-8PA80-0AC2	5650	850	1140	1760	1400	500	130	200	450	1940	2750	o.r.	
1SL7 458-8PA80-0CA2	5800	850	1140	1760	1400	250	130	200	450	1940	2500	o.r.	
1SL7 458-8PA80-0CC2	5850	850	1140	1760	1400	500	130	200	450	1940	2750	o.r.	
1SL7 502-8PA80-0CA2	6250	950	1220	1920	1320	315	160	240	500	2230	2520	o.r.	



Motor type	Weight	Dimensions										
		A	AD	AE	B	C	D	E	H	HD	L	ML
	kg	mm	mm	mm	mm	mm	mm	mm	mm	mm	mm	mm
Innomotics HV M - 1SL. IC86W 10000 V / 50 Hz B3 (IM 1001) - Dimension drawings												
1SL7 502-8PA80-0CC2	6300	950	1220	1920	1320	560	170	240	500	2230	2760	o.r.
1SL7 502-8PA80-0AA2	6000	950	1220	1920	1320	315	160	240	500	2230	2520	o.r.
1SL7 502-8PA80-0AC2	6050	950	1220	1920	1320	560	170	240	500	2230	2760	o.r.
1SL7 503-8PA80-0AA2	6250	950	1220	1920	1320	315	160	240	500	2230	2520	o.r.
1SL7 503-8PA80-0AC2	6300	950	1220	1920	1320	560	170	240	500	2230	2760	o.r.
1SL7 503-8PA80-0CA2	6500	950	1220	1920	1320	315	160	240	500	2230	2520	o.r.
1SL7 503-8PA80-0CC2	6550	950	1220	1920	1320	560	170	240	500	2230	2760	o.r.
1SL7 504-8PA80-0AA2	6550	950	1220	1920	1320	315	160	240	500	2230	2520	o.r.
1SL7 504-8PA80-0AC2	6600	950	1220	1920	1320	560	170	240	500	2230	2760	o.r.
1SL7 504-8PA80-0CA2	6800	950	1220	1920	1320	315	160	240	500	2230	2520	o.r.
1SL7 504-8PA80-0CC2	6850	950	1220	1920	1320	560	170	240	500	2230	2760	o.r.
1SL7 507-8PA80-0AA2	7250	950	1220	1920	1500	315	160	240	500	2230	2730	o.r.
1SL7 507-8PA80-0AC2	7300	950	1220	1920	1500	560	170	240	500	2230	2970	o.r.
1SL7 507-8PA80-0CA2	7500	950	1220	1920	1500	315	160	240	500	2230	2730	o.r.
1SL7 507-8PA80-0CC2	7550	950	1220	1920	1500	560	170	240	500	2230	2970	o.r.
1SL7 508-8PA80-0AA2	7550	950	1220	1920	1500	315	160	240	500	2230	2730	o.r.
1SL7 508-8PA80-0AC2	7600	950	1220	1920	1500	560	170	240	500	2230	2970	o.r.
1SL7 508-8PA80-0CA2	7800	950	1220	1920	1500	315	160	240	500	2230	2730	o.r.
1SL7 508-8PA80-0CC2	7850	950	1220	1920	1500	560	170	240	500	2230	2970	o.r.
1SL7 562-8PA80-0CA2	8550	1060	1290	2060	1400	335	190	280	560	2680	2770	o.r.
1SL7 562-8PA80-0CC2	8650	1060	1290	2060	1400	600	190	280	560	2680	3030	o.r.
1SL7 563-8PA80-0CA2	8850	1060	1290	2060	1400	335	190	280	560	2680	2770	o.r.
1SL7 563-8PA80-0CC2	8950	1060	1290	2060	1400	600	190	280	560	2680	3030	o.r.



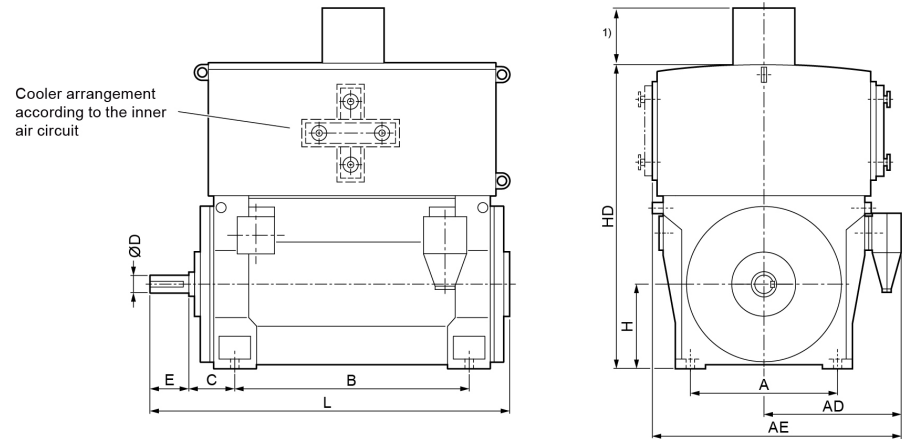
Motor type	Weight	Dimensions										
		A	AD	AE	B	C	D	E	H	HD	L	ML
	kg	mm	mm	mm	mm	mm	mm	mm	mm	mm	mm	mm
Innomotics HV M - 1SL. IC86W 10000 V / 50 Hz B3 (IM 1001) - Dimension drawings												
1SL7 564-8PA80-0CA2	9350	1060	1290	2060	1400	335	190	280	560	2680	2770	o.r.
1SL7 564-8PA80-0CC2	9450	1060	1290	2060	1400	600	190	280	560	2680	3030	o.r.
1SL7 567-8PA80-0CA2	10200	1060	1290	2060	1600	335	190	280	560	2680	3000	o.r.
1SL7 567-8PA80-0CC2	10300	1060	1290	2060	1600	600	190	280	560	2680	3260	o.r.
1SL7 568-8PA80-0CA2	10700	1060	1290	2060	1600	335	190	280	560	2680	3000	o.r.
1SL7 568-8PA80-0CC2	10750	1060	1290	2060	1600	600	190	280	560	2680	3260	o.r.
1SL8 634-8PA80-0CG0	10750	1320	1520	2520	1600	375	200	280	630	3090	2620	o.r.
1SL8 634-8PA80-0CJ0	10850	1320	1520	2520	1600	630	200	280	630	3090	2870	o.r.
1SL8 637-8PA80-0CG0	11850	1320	1520	2520	1800	375	200	280	630	3090	2820	o.r.
1SL8 637-8PA80-0CJ0	11950	1320	1520	2520	1800	630	200	280	630	3090	3070	o.r.
1SL8 638-8PA80-0CG0	12550	1320	1520	2520	1800	375	200	280	630	3090	2820	o.r.
1SL8 638-8PA80-0CJ0	12650	1320	1520	2520	1800	630	200	280	630	3090	3070	o.r.
1SL8 712-8PA80-0CG0	13900	1500	1620	2720	2000	375	220	280	710	3270	3010	o.r.
1SL8 712-8PA80-0CJ0	14100	1500	1620	2720	2000	630	220	280	710	3270	3260	o.r.
1SL8 713-8PA80-0CG0	14700	1500	1620	2720	2000	375	220	280	710	3270	3010	o.r.
1SL8 713-8PA80-0CJ0	14900	1500	1620	2720	2000	630	220	280	710	3270	3260	o.r.
1SL8 714-8PA80-0CG0	15800	1500	1620	2720	2000	375	220	280	710	3270	3010	o.r.
1SL8 714-8PA80-0CJ0	16000	1500	1620	2720	2000	630	220	280	710	3270	3260	o.r.
1SL8 717-8PA80-0CG0	17400	1500	1620	2720	2240	375	220	280	710	3270	3250	o.r.
1SL8 717-8PA80-0CJ0	17600	1500	1620	2720	2240	630	220	280	710	3270	3500	o.r.
1SL8 718-8PA80-0CG0	18450	1500	1620	2720	2240	375	220	280	710	3270	3250	o.r.
1SL8 718-8PA80-0CJ0	18650	1500	1620	2720	2240	630	220	280	710	3270	3500	o.r.

Innomotics HV M - 1SL, IC86W 11000 V / 50 Hz B3 (IM 1001)																		
Rated power IEC	Article No.	Speed	Rated current I_R	Efficiency				Power factor				Torque T_R	Breakdown torque T_B/ T_R	Locked rotor torque T_{LR}/ T_R	Locked rotor current I_{LR}/ I_R	Inertia		
				5/4 load	4/4 load	3/4 load	2/4 load	5/4 load	4/4 load	3/4 load	2/4 load					motor	external	Startup max T/TR
kW		rpm	A	%	%	%	%	cos φ	cos φ	cos φ	cos φ	Nm	[-]	[-]	[-]	kgm ²	kgm ²	[-]
2-pole: $n_{sync} = 3000$ rpm at 50 Hz																		
1260	1SL7 452-2PA90-0A.0	2978	79	94.8	95.6	95.9	95.7	0.87	0.88	0.87	0.83	4040	2.20	0.50	5.2	9	45	o.r.
1400	1SL7 453-2PA90-0A.0	2978	87	95.1	95.8	96.1	95.9	0.87	0.88	0.87	0.83	4489	2.20	0.50	5.2	10	55	o.r.
1400	1SL7 453-2PA90-0C.0	2977	85	95.1	95.8	96.1	95.9	0.88	0.90	0.89	0.87	4491	2.20	0.55	5.2	14	75	o.r.
1500	1SL7 454-2PA90-0A.0	2980	93	95.3	95.9	96.1	95.7	0.87	0.88	0.86	0.80	4807	2.50	0.55	6.0	11	55	o.r.
1500	1SL7 454-2PA90-0C.0	2978	91	95.2	96.0	96.2	96.0	0.89	0.90	0.90	0.87	4810	2.30	0.60	5.4	15	75	o.r.
1700	1SL7 457-2PA90-0A.0	2980	106	95.5	96.1	96.2	95.9	0.88	0.88	0.86	0.80	5448	2.50	0.55	6.0	12	75	o.r.
1700	1SL7 457-2PA90-0C.0	2979	104	95.5	96.1	96.2	95.9	0.89	0.90	0.89	0.86	5449	2.50	0.60	5.6	16	100	o.r.
1900	1SL7 458-2PA90-0A.0	2980	116	95.7	96.3	96.5	96.2	0.88	0.89	0.87	0.82	6088	2.55	0.60	6.0	13	80	o.r.
1900	1SL7 458-2PA90-0C.0	2980	114	95.7	96.3	96.5	96.2	0.90	0.91	0.90	0.87	6088	2.50	0.60	5.8	17	110	o.r.
2200	1SL7 503-2PA90-0C.0	2976	134	95.7	96.3	96.7	96.6	0.88	0.89	0.89	0.86	7059	2.25	0.55	4.4	20	134	o.r.
2150	1SL7 503-2PA90-0A.0	2971	134	95.5	96.1	96.6	96.8	0.86	0.88	0.88	0.86	6910	2.00	0.45	5.0	15	28	o.r.
2500	1SL7 504-2PA90-0C.0	2977	152	96.0	96.5	96.7	96.6	0.88	0.89	0.89	0.84	8019	2.45	0.70	4.8	21	126	o.r.
2300	1SL7 504-2PA90-0A.0	2972	142	95.5	96.2	96.7	96.8	0.86	0.88	0.88	0.86	7390	2.00	0.45	5.0	15	28	o.r.
2750	1SL7 507-2PA90-0C.0	2979	166	96.3	96.7	97.0	96.9	0.89	0.90	0.90	0.86	8815	2.50	0.70	5.1	24	140	o.r.
2600	1SL7 507-2PA90-0A.0	2973	158	95.9	96.5	96.9	97.0	0.88	0.89	0.90	0.87	8351	2.30	0.50	5.4	18	36	o.r.
3100	1SL7 508-2PA90-0C.0	2980	184	96.5	96.9	97.1	97.0	0.90	0.91	0.91	0.87	9934	2.60	0.75	5.4	27	148	o.r.
2850	1SL7 508-2PA90-0A.0	2976	174	96.2	96.7	97.0	97.0	0.88	0.89	0.90	0.86	9145	2.50	0.45	5.9	20	44	o.r.
3670	1SL7 562-2PA90-0CC0	2982	225	96.3	96.6	96.8	96.5	0.88	0.89	0.88	0.85	11752	2.25	0.60	5.1	41	235	o.r.
3920	1SL7 563-2PA90-0CC0	2981	235	96.4	96.7	96.9	96.7	0.88	0.90	0.89	0.86	12557	2.25	0.55	5.1	44	240	o.r.
4430	1SL7 564-2PA90-0CC0	2983	270	96.5	96.7	96.9	96.5	0.88	0.89	0.87	0.83	14181	2.50	0.65	5.7	47	220	o.r.
5000	1SL7 567-2PA90-0CC0	2982	300	96.7	97.0	97.2	96.9	0.89	0.90	0.90	0.87	16012	2.35	0.60	5.4	52	270	o.r.
5170	1SL7 568-2PA90-0CC0	2985	305	96.9	97.1	97.2	96.9	0.91	0.91	0.90	0.86	16539	2.70	0.65	6.2	58	260	o.r.
5800	1SL8 632-2PA90-0CJ0	2982	355	96.3	96.9	96.8	96.4	0.86	0.88	0.89	0.87	18573	2.00	0.50	4.6	75	270	o.r.
6550	1SL8 633-2PA90-0CJ0	2982	400	96.5	97.0	97.0	96.6	0.87	0.89	0.89	0.88	20975	2.05	0.50	4.8	82	270	o.r.
7050	1SL8 634-2PA90-0CJ0	2982	430	96.6	97.1	97.1	96.7	0.87	0.89	0.90	0.89	22576	2.10	0.55	5.0	90	270	o.r.
8050	1SL8 637-2PA90-0CJ0	2983	480	96.8	97.3	97.2	96.9	0.88	0.90	0.91	0.89	25770	2.20	0.60	5.3	99	270	o.r.
8850	1SL8 638-2PA90-0CJ0	2984	520	97.0	97.4	97.4	97.0	0.89	0.91	0.91	0.89	28321	2.35	0.65	5.6	108	270	o.r.
9150	1SL8 712-2PA90-0CJ0	2984	560	96.7	97.0	97.0	96.5	0.85	0.88	0.89	0.88	29282	1.75	0.50	4.1	149	220	o.r.
9900	1SL8 713-2PA90-0CJ0	2985	600	96.8	97.1	97.1	96.6	0.86	0.89	0.89	0.89	31671	1.90	0.50	4.0	160	210	o.r.
10600	1SL8 714-2PA90-0CJ0	2986	630	97.0	97.2	97.1	96.6	0.88	0.91	0.90	0.89	33899	2.10	0.55	4.4	173	210	o.r.
12000	1SL8 716-2PA90-0CJ0	2986	720	97.1	97.3	97.3	96.8	0.88	0.90	0.90	0.89	38376	2.10	0.60	5.0	186	190	o.r.
13200	1SL8 717-2PA90-0CJ0	2987	780	97.3	97.4	97.4	96.9	0.89	0.91	0.91	0.90	42200	2.20	0.60	5.2	202	170	o.r.
13850	1SL8 718-2PA90-0CJ0	2988	820	97.2	97.4	97.4	97.0	0.89	0.91	0.91	0.90	44263	2.20	0.60	5.3	220	220	o.r.
4-pole: $n_{sync} = 1500$ rpm at 50 Hz																		
1380	1SL7 453-4PA90-0C.0	1486	87	95.0	95.8	96.2	96.1	0.87	0.87	0.84	0.77	8868	2.35	0.55	5.2	23	290	o.r.
1350	1SL7 453-4PA90-0A.0	1483	85	94.8	95.6	96.1	96.1	0.87	0.87	0.85	0.78	8693	2.30	0.65	5.5	17	310	o.r.

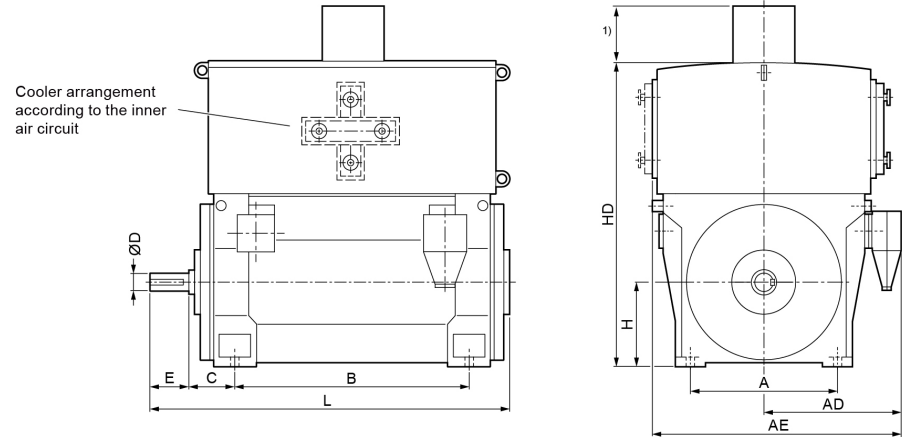
Innomotics HV M - 1SL IC86W 11000 V / 50 Hz B3 (IM 1001)																		
Rated power IEC	Article No.	Speed	Rated current I_R	Efficiency				Power factor				Torque T_R	Breakdown torque T_B/ T_R	Locked rotor torque T_{LR}/ T_R	Locked rotor current I_{LR}/ I_R	Inertia		
				5/4 load	4/4 load	3/4 load	2/4 load	5/4 load	4/4 load	3/4 load	2/4 load					motor	external	Startup max T/TR
kW		rpm	A	%	%	%	%	$\cos \varphi$	$\cos \varphi$	$\cos \varphi$	$\cos \varphi$	Nm	[-]	[-]	[-]	kgm ²	kgm ²	[-]
1430	1SL7 454-4PA90-0A.0	1485	89	95.0	95.8	96.1	96.1	0.88	0.88	0.84	0.76	9196	2.60	0.80	6.0	19	315	o.r.
1480	1SL7 454-4PA90-0C.0	1486	92	95.2	95.9	96.3	96.3	0.88	0.88	0.86	0.79	9511	2.35	0.55	5.3	25	300	o.r.
1650	1SL7 457-4PA90-0A.0	1486	102	95.5	96.1	96.4	96.3	0.88	0.88	0.84	0.76	10603	2.85	0.90	6.5	22	430	o.r.
1750	1SL7 457-4PA90-0C.0	1488	108	95.6	96.3	96.5	96.5	0.88	0.89	0.86	0.80	11231	2.55	0.60	5.8	30	380	o.r.
1830	1SL7 458-4PA90-0A.0	1486	114	95.6	96.2	96.5	96.3	0.88	0.88	0.83	0.74	11760	2.95	0.95	6.5	24	450	o.r.
1900	1SL7 458-4PA90-0C.0	1489	116	95.8	96.4	96.6	96.5	0.88	0.89	0.85	0.78	12185	2.70	0.65	6.0	32	430	o.r.
2100	1SL7 503-4PA90-0A.0	1486	128	95.7	96.4	96.9	97.0	0.88	0.90	0.88	0.85	13495	2.30	0.80	5.2	37	450	o.r.
2150	1SL7 503-4PA90-0C.0	1487	132	95.8	96.5	97.0	97.0	0.88	0.89	0.89	0.86	13807	2.25	0.60	4.7	45	565	o.r.
2450	1SL7 504-4PA90-0A.0	1488	152	96.1	96.6	96.9	96.8	0.88	0.88	0.85	0.77	15723	2.70	0.95	6.0	40	605	o.r.
2450	1SL7 504-4PA90-0C.0	1489	152	96.2	96.7	97.0	96.7	0.86	0.87	0.84	0.77	15712	2.40	0.55	4.9	49	695	o.r.
2600	1SL7 507-4PA90-0A.0	1485	156	95.9	96.6	97.1	97.2	0.89	0.90	0.89	0.87	16719	2.25	0.80	5.2	46	505	o.r.
2630	1SL7 507-4PA90-0C.0	1488	158	96.1	96.8	97.2	97.2	0.88	0.90	0.90	0.87	16878	2.30	0.60	4.8	56	770	o.r.
2850	1SL7 508-4PA90-0A.0	1487	172	96.2	96.7	97.2	97.2	0.89	0.90	0.89	0.85	18302	2.50	0.90	5.7	50	615	o.r.
2850	1SL7 508-4PA90-0C.0	1489	172	96.3	96.9	97.2	97.2	0.89	0.90	0.89	0.86	18278	2.40	0.65	5.2	62	740	o.r.
3180	1SL7 562-4PA90-0C.0	1496	196	96.2	96.7	97.2	97.2	0.86	0.88	0.87	0.84	20299	2.00	0.60	4.8	74	815	o.r.
3500	1SL7 563-4PA90-0C.0	1489	216	96.2	96.8	97.2	97.3	0.86	0.88	0.88	0.85	22446	2.00	0.60	4.9	80	840	o.r.
3900	1SL7 564-4PA90-0C.0	1490	237	96.4	96.9	97.4	97.4	0.87	0.89	0.89	0.87	24995	2.10	0.60	5.0	90	935	o.r.
4400	1SL7 566-4PA90-0C.0	1489	268	96.5	97.0	97.5	97.6	0.88	0.89	0.90	0.88	28218	2.05	0.60	4.9	100	1020	o.r.
4800	1SL7 567-4PA90-0C.0	1490	288	96.6	97.1	97.6	97.6	0.88	0.90	0.90	0.88	30763	2.10	0.65	5.1	110	1115	o.r.
5200	1SL7 568-4PA90-0C.0	1491	312	96.8	97.3	97.6	97.7	0.89	0.90	0.90	0.88	33304	2.25	0.70	5.5	119	1185	o.r.
5900	1SL8 633-4PA90-0C.0	1490	360	96.8	97.3	97.5	97.4	0.87	0.89	0.88	0.85	37813	2.15	0.50	5.2	151	740	o.r.
6400	1SL8 634-4PA90-0C.0	1491	390	96.8	97.3	97.5	97.3	0.88	0.89	0.88	0.85	40990	2.25	0.50	5.5	166	860	o.r.
7200	1SL8 637-4PA90-0C.0	1491	430	97.0	97.4	97.6	97.5	0.88	0.90	0.89	0.85	46113	2.35	0.60	5.6	182	860	o.r.
8200	1SL8 638-4PA90-0C.0	1491	495	97.1	97.5	97.7	97.5	0.88	0.89	0.88	0.85	52518	2.35	0.60	5.6	198	900	o.r.
8600	1SL8 712-4PA90-0C.0	1491	520	97.0	97.4	97.6	97.4	0.88	0.89	0.88	0.85	55080	2.35	0.50	5.6	259	870	o.r.
9300	1SL8 713-4PA90-0C.0	1492	560	97.1	97.5	97.7	97.5	0.89	0.90	0.89	0.86	59523	2.40	0.50	5.7	284	960	o.r.
10000	1SL8 714-4PA90-0C.0	1492	600	97.2	97.6	97.7	97.6	0.89	0.90	0.89	0.85	64003	2.55	0.55	6.0	312	1080	o.r.
11500	1SL8 717-4PA90-0C.0	1492	690	97.3	97.7	97.8	97.6	0.90	0.90	0.89	0.85	73604	2.60	0.55	6.0	346	1100	o.r.
11900	1SL8 718-4PA90-0C.0	1493	710	97.4	97.7	97.8	97.6	0.89	0.90	0.89	0.85	76113	2.60	0.55	6.0	364	1240	o.r.
6-pole: $n_{sync} = 1000$ rpm at 50 Hz																		
930	1SL7 452-6PA90-0A.0	990	62	94.1	95.1	95.5	95.6	0.83	0.83	0.79	0.68	8971	2.35	0.85	5.5	20	325	o.r.
1050	1SL7 453-6PA90-0A.0	991	70	94.4	95.2	95.6	95.5	0.83	0.83	0.76	0.64	10118	2.50	0.85	5.5	22	410	o.r.
1100	1SL7 453-6PA90-0C.0	990	71	94.3	95.2	95.7	95.8	0.84	0.85	0.81	0.73	10610	2.35	0.70	5.5	30	510	o.r.
1160	1SL7 454-6PA90-0A.0	991	77	94.6	95.4	95.8	95.7	0.84	0.83	0.77	0.66	11178	2.50	0.85	5.5	24	465	o.r.
1200	1SL7 454-6PA90-0C.0	990	78	94.5	95.4	95.9	96.0	0.85	0.85	0.82	0.74	11575	2.35	0.70	5.4	33	600	o.r.
1290	1SL7 457-6PA90-0A.0	991	84	94.8	95.6	96.0	96.0	0.84	0.84	0.80	0.70	12430	2.50	0.85	5.5	28	535	o.r.
1300	1SL7 457-6PA90-0C.0	990	83	94.8	95.6	96.1	96.2	0.86	0.86	0.83	0.76	12539	2.40	0.70	5.5	36	745	o.r.

Innomotics HV M - 1SL, IC86W 11000 V / 50 Hz B3 (IM 1001)																		
Rated power IEC	Article No.	Speed	Rated current I_R	Efficiency				Power factor				Torque T_R	Breakdown torque T_B/ T_R	Locked rotor torque T_{LR}/ T_R	Locked rotor current I_{LR}/ I_R	Inertia		
				5/4 load	4/4 load	3/4 load	2/4 load	5/4 load	4/4 load	3/4 load	2/4 load					motor	external	Startup max T/TR
kW		rpm	A	%	%	%	%	cos φ	cos φ	cos φ	cos φ	Nm	[-]	[-]	[-]	kgm ²	kgm ²	[-]
1400	1SL7 458-6PA90-0A.0	991	89	95.0	95.8	96.2	96.2	0.85	0.86	0.81	0.72	13490	2.50	0.90	5.7	31	610	o.r.
1420	1SL7 458-6PA90-0C.0	991	89	95.0	95.8	96.2	96.3	0.86	0.87	0.84	0.77	13683	2.45	0.70	5.5	41	805	o.r.
1650	1SL7 502-6PA90-0C.0	992	106	95.4	96.2	96.6	96.6	0.84	0.85	0.83	0.76	15883	2.25	0.70	4.6	54	930	o.r.
1550	1SL7 502-6PA90-0A.0	991	99	95.1	95.9	96.4	96.5	0.85	0.86	0.83	0.75	14936	2.20	0.90	4.7	42	630	o.r.
1850	1SL7 503-6PA90-0C.0	992	118	95.6	96.3	96.7	96.7	0.84	0.86	0.83	0.76	17809	2.30	0.75	4.7	60	1100	o.r.
1700	1SL7 503-6PA90-0A.0	991	108	95.2	96.0	96.5	96.7	0.85	0.86	0.84	0.77	16381	2.25	0.90	4.8	46	730	o.r.
1850	1SL7 504-6PA90-0A.0	991	118	95.5	96.2	96.6	96.7	0.85	0.86	0.83	0.75	17827	2.35	0.95	5.0	51	850	o.r.
2000	1SL7 504-6PA90-0C.0	992	126	95.8	96.4	96.8	96.8	0.85	0.86	0.83	0.76	19253	2.35	0.70	4.8	66	1300	o.r.
2240	1SL7 507-6PA90-0C.0	993	144	96.0	96.6	96.9	96.9	0.84	0.85	0.82	0.74	21541	2.40	0.70	4.8	74	1550	o.r.
2000	1SL7 507-6PA90-0A.0	992	126	95.7	96.4	96.7	96.8	0.86	0.86	0.83	0.74	19253	2.50	1.05	5.3	58	1000	o.r.
2240	1SL7 508-6PA90-0A.0	992	144	95.9	96.5	96.8	96.7	0.85	0.85	0.80	0.69	21563	2.70	1.10	5.7	63	1180	o.r.
2500	1SL7 561-6PA90-0C.0	992	160	95.7	96.3	96.6	96.5	0.84	0.85	0.84	0.78	24066	2.30	0.60	5.1	96	1060	o.r.
2900	1SL7 562-6PA90-0C.0	993	188	96.0	96.6	96.7	96.6	0.84	0.84	0.82	0.75	27888	2.40	0.65	5.3	105	1370	o.r.
3150	1SL7 563-6PA90-0C.0	993	200	96.1	96.6	96.8	96.7	0.84	0.85	0.83	0.75	30292	2.45	0.65	5.3	112	1280	o.r.
3550	1SL7 567-6PA90-0C.0	994	225	96.4	96.8	96.9	96.8	0.85	0.86	0.83	0.76	34105	2.60	0.70	5.7	134	1630	o.r.
3850	1SL7 568-6PA90-0C.0	994	240	96.5	97.0	97.1	96.9	0.86	0.86	0.84	0.78	36987	2.60	0.70	5.8	150	1890	o.r.
4450	1SL8 632-6PA90-0C.0	992	280	96.3	96.8	97.1	96.9	0.85	0.86	0.83	0.75	42837	2.30	0.60	5.2	193	2370	o.r.
4650	1SL8 633-6PA90-0C.0	992	295	96.4	96.9	97.2	96.9	0.85	0.86	0.83	0.75	44762	2.30	0.55	5.3	209	2660	o.r.
5200	1SL8 634-6PA90-0C.0	992	325	96.5	97.0	97.3	97.1	0.85	0.87	0.84	0.78	50057	2.20	0.55	5.1	227	2800	o.r.
5600	1SL8 637-6PA90-0C.0	992	350	96.5	97.0	97.3	97.2	0.85	0.87	0.85	0.78	53907	2.20	0.56	5.2	247	3110	o.r.
6100	1SL8 638-6PA90-0C.0	992	380	96.6	97.1	97.4	97.2	0.86	0.87	0.85	0.78	58720	2.25	0.55	5.2	265	3300	o.r.
6600	1SL8 712-6PA90-0C.0	993	410	96.8	97.3	97.5	97.4	0.85	0.87	0.85	0.79	63470	2.20	0.55	5.2	331	2710	o.r.
7250	1SL8 713-6PA90-0C.0	994	450	97.0	97.4	97.6	97.5	0.86	0.87	0.85	0.79	69650	2.35	0.60	5.5	374	3180	o.r.
8250	1SL8 714-6PA90-0C.0	994	500	97.1	97.5	97.7	97.5	0.87	0.88	0.85	0.79	79257	2.40	0.60	5.5	424	3530	o.r.
9350	1SL8 717-6PA90-0C.0	994	570	97.1	97.6	97.8	97.6	0.87	0.88	0.86	0.80	89825	2.35	0.55	5.5	478	3930	o.r.
10400	1SL8 718-6PA90-0C.0	995	640	97.3	97.6	97.8	97.6	0.86	0.87	0.84	0.76	99812	2.45	0.55	5.5	522	4410	o.r.
8-pole: $n_{sync} = 750$ rpm at 50 Hz																		
580	1SL7 451-8PA90-0A.0	743	43	93.5	94.4	94.5	94.0	0.78	0.75	0.66	0.49	7454	2.50	0.80	5.5	23	500	o.r.
620	1SL7 451-8PA90-0C.0	743	44	93.5	94.5	94.8	94.4	0.81	0.79	0.71	0.56	7968	2.70	0.75	5.5	30	560	o.r.
680	1SL7 452-8PA90-0A.0	743	48	93.5	94.6	94.9	94.7	0.80	0.78	0.71	0.56	8740	2.50	0.80	5.5	25	510	o.r.
700	1SL7 452-8PA90-0C.0	743	48	93.6	94.7	95.1	94.9	0.82	0.80	0.74	0.60	8997	2.60	0.70	5.5	32	630	o.r.
800	1SL7 453-8PA90-0A.0	743	57	94.0	94.9	95.2	94.9	0.79	0.78	0.69	0.53	10282	2.50	0.85	5.5	28	730	o.r.
800	1SL7 453-8PA90-0C.0	743	55	94.2	95.1	95.4	95.1	0.81	0.80	0.72	0.57	10282	2.70	0.75	5.5	36	1000	o.r.
860	1SL7 454-8PA90-0A.0	743	60	94.2	95.1	95.4	95.2	0.81	0.79	0.72	0.57	11053	2.45	0.85	5.5	31	800	o.r.
880	1SL7 454-8PA90-0C.0	743	60	94.3	95.2	95.5	95.4	0.82	0.81	0.75	0.61	11310	2.70	0.75	5.5	40	1000	o.r.
940	1SL7 457-8PA90-0A.0	743	65	94.3	95.2	95.6	95.5	0.82	0.80	0.74	0.61	12081	2.40	0.85	5.5	35	920	o.r.
950	1SL7 457-8PA90-0C.0	743	64	94.4	95.3	95.7	95.5	0.83	0.82	0.76	0.63	12210	2.70	0.75	5.5	45	1200	o.r.

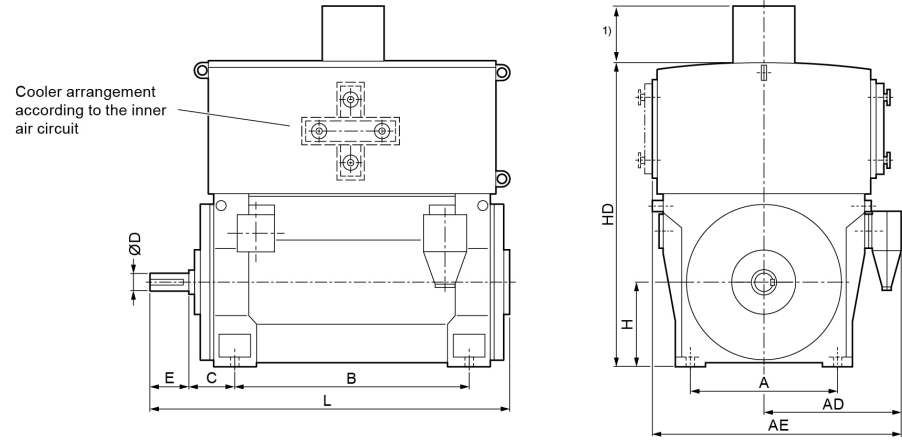
Innomotics HV M - 1SL, IC86W 11000 V / 50 Hz B3 (IM 1001)																			
Rated power IEC	Article No.	Speed	Rated current I_R	Efficiency				Power factor				Torque T_R	Breakdown torque T_B/ T_R	Locked torque T_{LR}/ T_R	Locked rotor current I_{LR}/ I_R	Inertia			
				5/4 load	4/4 load	3/4 load	2/4 load	5/4 load	4/4 load	3/4 load	2/4 load					motor	external	Startup max T/TR	
kW		rpm	A	%	%	%	%	$\cos \varphi$	$\cos \varphi$	$\cos \varphi$	$\cos \varphi$	Nm	[-]	[-]	[-]	kgm ²	kgm ²	[-]	
1020	1SL7 458-8PA90-0A.0	743	69	94.4	95.4	95.7	95.6	0.82	0.81	0.75	0.61	13109	2.40	0.85	5.5	39	1050	o.r.	
1030	1SL7 458-8PA90-0C.0	743	69	94.6	95.5	95.8	95.6	0.83	0.82	0.76	0.64	13238	2.75	0.80	5.6	50	1350	o.r.	
1120	1SL7 502-8PA90-0A.0	744	77	95.1	95.7	96.2	96.2	0.81	0.80	0.78	0.69	14375	2.25	0.80	4.5	46	1370	o.r.	
1200	1SL7 502-8PA90-0C.0	743	81	95.0	95.7	96.2	96.2	0.82	0.81	0.78	0.70	15423	2.25	0.60	4.2	59	2010	o.r.	
1220	1SL7 503-8PA90-0A.0	743	81	95.1	95.8	96.3	96.4	0.82	0.83	0.79	0.71	15680	2.15	0.75	4.4	51	1440	o.r.	
1360	1SL7 503-8PA90-0C.0	743	90	95.0	95.8	96.3	96.4	0.82	0.83	0.80	0.72	17479	2.15	0.55	4.0	65	1910	o.r.	
1480	1SL7 504-8PA90-0A.0	743	99	95.2	96.0	96.4	96.5	0.82	0.82	0.79	0.70	19021	2.15	0.80	4.3	56	1760	o.r.	
1500	1SL7 504-8PA90-0C.0	743	99	95.2	96.0	96.5	96.6	0.82	0.83	0.80	0.73	19279	2.15	0.55	4.1	72	2190	o.r.	
1640	1SL7 507-8PA90-0A.0	743	108	95.4	96.1	96.5	96.6	0.82	0.83	0.79	0.71	21078	2.15	0.80	4.4	63	2030	o.r.	
1700	1SL7 507-8PA90-0C.0	743	110	95.3	96.1	96.6	96.7	0.82	0.84	0.81	0.73	21849	2.15	0.60	4.1	80	2360	o.r.	
1780	1SL7 508-8PA90-0A.0	744	118	95.6	96.2	96.5	96.5	0.82	0.82	0.77	0.68	22846	2.30	0.90	4.7	69	2270	o.r.	
1820	1SL7 508-8PA90-0C.0	743	120	95.6	96.2	96.6	96.6	0.83	0.83	0.80	0.71	23391	2.35	0.65	4.4	88	2710	o.r.	
2000	1SL7 563-8PA90-0C.0	744	134	95.5	96.0	96.5	96.3	0.82	0.82	0.80	0.73	25670	2.10	0.60	4.6	124	2685	o.r.	
2240	1SL7 564-8PA90-0C.0	744	150	95.6	96.1	96.5	96.3	0.82	0.82	0.80	0.72	28751	2.20	0.60	4.8	137	2725	o.r.	
2500	1SL7 567-8PA90-0C.0	744	164	95.8	96.3	96.8	96.6	0.82	0.83	0.81	0.75	32088	2.05	0.60	4.5	150	3865	o.r.	
2800	1SL7 568-8PA90-0C.0	744	184	95.9	96.4	96.9	96.7	0.82	0.83	0.81	0.75	35938	2.05	0.55	4.5	165	5105	o.r.	
3100	1SL8 633-8PA90-0C.0	743	200	95.4	96.1	96.3	96.1	0.84	0.85	0.81	0.74	39842	2.00	0.45	4.5	216	2690	o.r.	
3500	1SL8 634-8PA90-0C.0	744	225	95.6	96.2	96.4	96.1	0.85	0.85	0.81	0.73	44923	2.10	0.50	4.5	251	2830	o.r.	
4000	1SL8 637-8PA90-0C.0	744	255	96.0	96.5	96.5	96.2	0.85	0.85	0.81	0.72	51340	2.30	0.50	5.0	292	5000	o.r.	
4250	1SL8 638-8PA90-0C.0	744	270	96.2	96.6	96.7	96.3	0.86	0.86	0.81	0.72	54549	2.40	0.55	5.2	326	6200	o.r.	
4300	1SL8 712-8PA90-0C.0	746	275	96.2	96.6	96.6	96.2	0.86	0.85	0.80	0.69	55043	2.60	0.60	5.5	422	2890	o.r.	
4850	1SL8 713-8PA90-0C.0	746	310	96.4	96.7	96.7	96.2	0.86	0.85	0.79	0.68	62083	2.55	0.60	5.4	471	3510	o.r.	
5550	1SL8 714-8PA90-0C.0	746	355	96.5	96.8	96.8	96.3	0.86	0.85	0.79	0.68	71044	2.60	0.60	5.5	538	3900	o.r.	
6500	1SL8 717-8PA90-0C.0	746	415	96.7	97.0	96.9	96.5	0.86	0.85	0.79	0.69	83204	2.60	0.50	5.5	615	5400	o.r.	
6700	1SL8 718-8PA90-0C.0	746	430	96.8	97.1	96.9	96.4	0.85	0.84	0.78	0.67	85764	2.60	0.50	5.4	674	6570	o.r.	



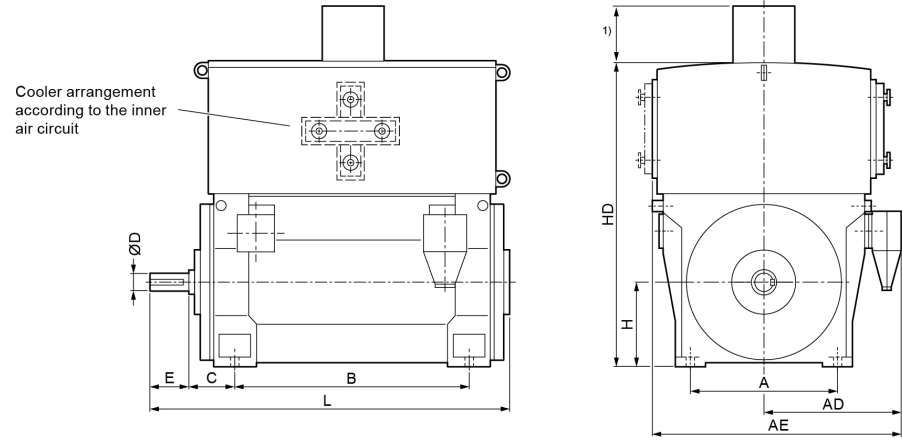
Motor type	Weight	Dimensions										
		A	AD	AE	B	C	D	E	H	HD	L	ML
	kg	mm	mm	mm	mm	mm	mm	mm	mm	mm	mm	mm
Innomotics HV M - 1SL. IC86W 11000 V / 50 Hz B3 (IM 1001) - Dimension drawings												
2-pole												
1SL7 452-2PA90-0AA0	4300	850	1140	1760	1180	250	95	130	450	2350	1790	o.r.
1SL7 452-2PA90-0AC0	4150	850	1140	1760	1180	475	95	130	450	2350	2010	o.r.
1SL7 453-2PA90-0AA0	4400	850	1140	1760	1180	250	95	130	450	2350	1790	o.r.
1SL7 453-2PA90-0AC0	4300	850	1140	1760	1180	475	95	130	450	2350	2010	o.r.
1SL7 453-2PA90-0CA0	4550	850	1140	1760	1180	250	95	130	450	2350	1790	o.r.
1SL7 453-2PA90-0CC0	4450	850	1140	1760	1180	475	95	130	450	2350	2010	o.r.
1SL7 454-2PA90-0AA0	4500	850	1140	1760	1180	250	95	130	450	2350	1790	o.r.
1SL7 454-2PA90-0AC0	4400	850	1140	1760	1180	475	95	130	450	2350	2010	o.r.
1SL7 454-2PA90-0CA0	4650	850	1140	1760	1180	250	95	130	450	2350	1790	o.r.
1SL7 454-2PA90-0CC0	4550	850	1140	1760	1180	475	95	130	450	2350	2010	o.r.
1SL7 457-2PA90-0AA0	4900	850	1140	1760	1400	250	95	130	450	2350	2000	o.r.
1SL7 457-2PA90-0AC0	4800	850	1140	1760	1400	475	95	130	450	2350	2220	o.r.
1SL7 457-2PA90-0CA0	5050	850	1140	1760	1400	250	95	130	450	2350	2000	o.r.
1SL7 457-2PA90-0CC0	4950	850	1140	1760	1400	475	95	130	450	2350	2220	o.r.
1SL7 458-2PA90-0AA0	5100	850	1140	1760	1400	250	95	130	450	2350	2000	o.r.
1SL7 458-2PA90-0AC0	5000	850	1140	1760	1400	475	95	130	450	2350	2220	o.r.
1SL7 458-2PA90-0CA0	5250	850	1140	1760	1400	250	95	130	450	2350	2000	o.r.
1SL7 458-2PA90-0CC0	5150	850	1140	1760	1400	475	95	130	450	2350	2220	o.r.
1SL7 503-2PA90-0CA0	6000	950	1220	1920	1320	250	110	165	500	2640	2000	o.r.
1SL7 503-2PA90-0CC0	5950	950	1220	1920	1320	530	120	165	500	2640	2280	o.r.
1SL7 503-2PA90-0AA0	5850	950	1220	1920	1320	250	110	165	500	2640	2000	o.r.
1SL7 503-2PA90-0AC0	5800	950	1220	1920	1320	530	120	165	500	2640	2280	o.r.



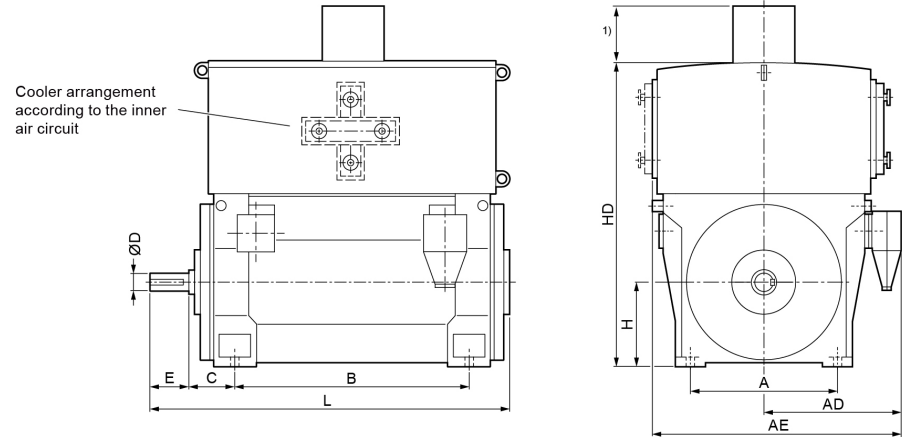
Motor type	Weight	Dimensions											
		A	AD	AE	B	C	D	E	H	HD	L	ML	
	kg	mm	mm	mm	mm	mm	mm	mm	mm	mm	mm	mm	mm
Innomotics HV M - 1SL. IC86W 11000 V / 50 Hz B3 (IM 1001) - Dimension drawings													
1SL7 504-2PA90-0CA0	6100	950	1220	1920	1320	250	110	165	500	2640	2000	o.r.	
1SL7 504-2PA90-0CC0	6050	950	1220	1920	1320	530	120	165	500	2640	2280	o.r.	
1SL7 504-2PA90-0AA0	5950	950	1220	1920	1320	250	110	165	500	2640	2000	o.r.	
1SL7 504-2PA90-0AC0	5900	950	1220	1920	1320	530	120	165	500	2640	2280	o.r.	
1SL7 507-2PA90-0CA0	6800	950	1220	1920	1500	250	110	165	500	2640	2210	o.r.	
1SL7 507-2PA90-0CC0	6700	950	1220	1920	1500	530	120	165	500	2640	2490	o.r.	
1SL7 507-2PA90-0AA0	6600	950	1220	1920	1500	250	110	165	500	2640	2210	o.r.	
1SL7 507-2PA90-0AC0	6550	950	1220	1920	1500	530	120	165	500	2640	2490	o.r.	
1SL7 508-2PA90-0CA0	7150	950	1220	1920	1500	250	110	165	500	2640	2210	o.r.	
1SL7 508-2PA90-0CC0	7050	950	1220	1920	1500	530	120	165	500	2640	2490	o.r.	
1SL7 508-2PA90-0AA0	6950	950	1220	1920	1500	250	110	165	500	2640	2210	o.r.	
1SL7 508-2PA90-0AC0	6850	950	1220	1920	1500	530	120	165	500	2640	2490	o.r.	
1SL7 562-2PA90-0CC0	7950	1060	1290	2060	1400	600	150	200	560	2830	2530	o.r.	
1SL7 563-2PA90-0CC0	8200	1060	1290	2060	1400	600	150	200	560	2830	2530	o.r.	
1SL7 564-2PA90-0CC0	8400	1060	1290	2060	1400	600	150	200	560	2830	2530	o.r.	
1SL7 567-2PA90-0CC0	9250	1060	1290	2060	1600	600	150	200	560	2830	2760	o.r.	
1SL7 568-2PA90-0CC0	9750	1060	1290	2060	1600	600	150	200	560	2830	2760	o.r.	
1SL8 632-2PA90-0CJ0	9450	1320	1520	2520	1600	560	160	240	630	3090	2760	o.r.	
1SL8 633-2PA90-0CJ0	9950	1320	1520	2520	1600	560	160	240	630	3090	2760	o.r.	
1SL8 634-2PA90-0CJ0	10350	1320	1520	2520	1600	560	160	240	630	3090	2760	o.r.	
1SL8 637-2PA90-0CJ0	11250	1320	1520	2520	1800	560	160	240	630	3090	2960	o.r.	
1SL8 638-2PA90-0CJ0	11850	1320	1520	2520	1800	560	160	240	630	3090	2960	o.r.	
1SL8 712-2PA90-0CJ0	13400	1500	1620	2720	2000	560	180	240	710	3360	3150	o.r.	



Motor type	Weight	Dimensions										
		A	AD	AE	B	C	D	E	H	HD	L	ML
	kg	mm	mm	mm	mm	mm	mm	mm	mm	mm	mm	mm
Innomotics HV M - 1SL. IC86W 11000 V / 50 Hz B3 (IM 1001) - Dimension drawings												
1SL8 713-2PA90-0CJ0	13900	1500	1620	2720	2000	560	180	240	710	3360	3150	o.r.
1SL8 714-2PA90-0CJ0	14550	1500	1620	2720	2000	560	180	240	710	3360	3150	o.r.
1SL8 716-2PA90-0CJ0	15550	1500	1620	2720	2240	560	180	240	710	3360	3390	o.r.
1SL8 717-2PA90-0CJ0	16350	1500	1620	2720	2240	560	180	240	710	3360	3390	o.r.
1SL8 718-2PA90-0CJ0	17650	1500	1620	2720	2240	560	180	240	710	3360	3390	o.r.
4-pole												
1SL7 453-4PA90-0CA0	4550	850	1140	1760	1180	250	130	200	450	1940	2290	o.r.
1SL7 453-4PA90-0CC0	4600	850	1140	1760	1180	500	130	200	450	1940	2540	o.r.
1SL7 453-4PA90-0AA0	4450	850	1140	1760	1180	250	130	200	450	1940	2290	o.r.
1SL7 453-4PA90-0AC0	4450	850	1140	1760	1180	500	130	200	450	1940	2540	o.r.
1SL7 454-4PA90-0AA0	4600	850	1140	1760	1180	250	130	200	450	1940	2290	o.r.
1SL7 454-4PA90-0AC0	4600	850	1140	1760	1180	500	130	200	450	1940	2540	o.r.
1SL7 454-4PA90-0CA0	4750	850	1140	1760	1180	250	130	200	450	1940	2290	o.r.
1SL7 454-4PA90-0CC0	4750	850	1140	1760	1180	500	130	200	450	1940	2540	o.r.
1SL7 457-4PA90-0AA0	5150	850	1140	1760	1400	250	130	200	450	1940	2500	o.r.
1SL7 457-4PA90-0AC0	5200	850	1140	1760	1400	500	130	200	450	1940	2750	o.r.
1SL7 457-4PA90-0CA0	5350	850	1140	1760	1400	250	130	200	450	1940	2500	o.r.
1SL7 457-4PA90-0CC0	5350	850	1140	1760	1400	500	130	200	450	1940	2750	o.r.
1SL7 458-4PA90-0AA0	5350	850	1140	1760	1400	250	130	200	450	1940	2500	o.r.
1SL7 458-4PA90-0AC0	5400	850	1140	1760	1400	500	130	200	450	1940	2750	o.r.
1SL7 458-4PA90-0CA0	5550	850	1140	1760	1400	250	130	200	450	1940	2500	o.r.
1SL7 458-4PA90-0CC0	5600	850	1140	1760	1400	500	130	200	450	1940	2750	o.r.
1SL7 503-4PA90-0AA0	6150	950	1220	1920	1320	315	160	240	500	2640	2140	o.r.

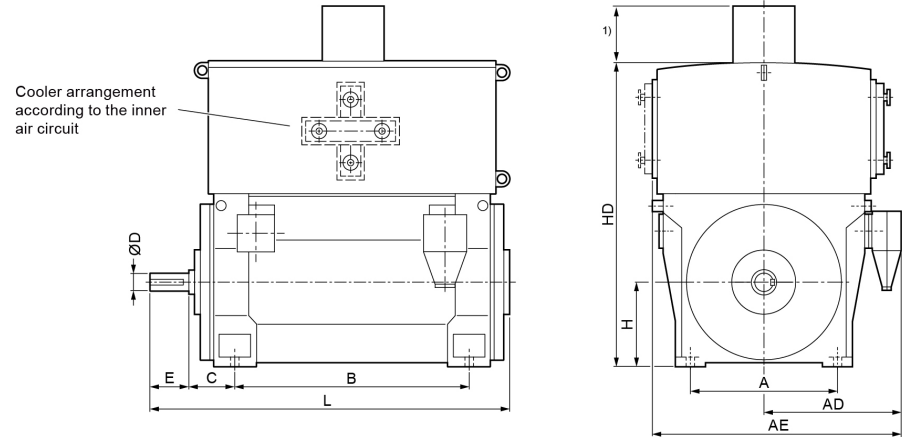


Motor type	Weight	Dimensions										
		A	AD	AE	B	C	D	E	H	HD	L	ML
	kg	mm	mm	mm	mm	mm	mm	mm	mm	mm	mm	mm
Innomotics HV M - 1SL. IC86W 11000 V / 50 Hz B3 (IM 1001) - Dimension drawings												
1SL7 503-4PA90-0AC0	6200	950	1220	1920	1320	560	170	240	500	2640	2380	o.r.
1SL7 503-4PA90-0CA0	6300	950	1220	1920	1320	315	160	240	500	2640	2140	o.r.
1SL7 503-4PA90-0CC0	6350	950	1220	1920	1320	560	170	240	500	2640	2380	o.r.
1SL7 504-4PA90-0AA0	6450	950	1220	1920	1320	315	160	240	500	2640	2140	o.r.
1SL7 504-4PA90-0AC0	6500	950	1220	1920	1320	560	170	240	500	2640	2380	o.r.
1SL7 504-4PA90-0CA0	6550	950	1220	1920	1320	315	160	240	500	2640	2140	o.r.
1SL7 504-4PA90-0CC0	6650	950	1220	1920	1320	560	170	240	500	2640	2380	o.r.
1SL7 507-4PA90-0AA0	7050	950	1220	1920	1500	315	160	240	500	2640	2350	o.r.
1SL7 507-4PA90-0AC0	7150	950	1220	1920	1500	560	170	240	500	2640	2590	o.r.
1SL7 507-4PA90-0CA0	7250	950	1220	1920	1500	315	160	240	500	2640	2350	o.r.
1SL7 507-4PA90-0CC0	7300	950	1220	1920	1500	560	170	240	500	2640	2590	o.r.
1SL7 508-4PA90-0AA0	7350	950	1220	1920	1500	315	160	240	500	2640	2350	o.r.
1SL7 508-4PA90-0AC0	7450	950	1220	1920	1500	560	170	240	500	2640	2590	o.r.
1SL7 508-4PA90-0CA0	7550	950	1220	1920	1500	315	160	240	500	2640	2350	o.r.
1SL7 508-4PA90-0CC0	7650	950	1220	1920	1500	560	170	240	500	2640	2590	o.r.
1SL7 562-4PA90-0CA0	8050	1060	1290	2060	1400	335	190	280	560	2830	2340	o.r.
1SL7 562-4PA90-0CC0	8100	1060	1290	2060	1400	600	190	280	560	2830	2610	o.r.
1SL7 563-4PA90-0CA0	8250	1060	1290	2060	1400	335	190	280	560	2830	2340	o.r.
1SL7 563-4PA90-0CC0	8300	1060	1290	2060	1400	600	190	280	560	2830	2610	o.r.
1SL7 564-4PA90-0CA0	8700	1060	1290	2060	1400	335	190	280	560	2830	2340	o.r.
1SL7 564-4PA90-0CC0	8750	1060	1290	2060	1400	600	190	280	560	2830	2610	o.r.
1SL7 566-4PA90-0CA0	9500	1060	1290	2060	1600	335	190	280	560	2830	2570	o.r.
1SL7 566-4PA90-0CC0	9600	1060	1290	2060	1600	600	190	280	560	2830	2840	o.r.

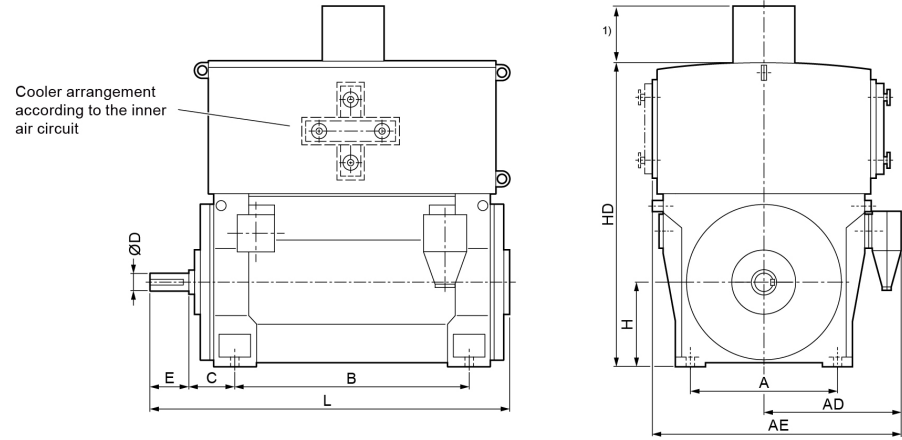


Motor type	Weight	Dimensions											
		A	AD	AE	B	C	D	E	H	HD	L	ML	
	kg	mm	mm	mm	mm	mm	mm	mm	mm	mm	mm	mm	mm
Innomotics HV M - 1SL. IC86W 11000 V / 50 Hz B3 (IM 1001) - Dimension drawings													
1SL7 567-4PA90-0CA0	9950	1060	1290	2060	1600	335	190	280	560	2830	2570	o.r.	
1SL7 567-4PA90-0CC0	10000	1060	1290	2060	1600	600	190	280	560	2830	2840	o.r.	
1SL7 568-4PA90-0CA0	10400	1060	1290	2060	1600	335	190	280	560	2830	2570	o.r.	
1SL7 568-4PA90-0CC0	10450	1060	1290	2060	1600	600	190	280	560	2830	2840	o.r.	
1SL8 633-4PA90-0CG0	10700	1320	1520	2520	1600	375	200	280	630	3090	2620	o.r.	
1SL8 633-4PA90-0CJ0	10800	1320	1520	2520	1600	630	200	280	630	3090	2870	o.r.	
1SL8 634-4PA90-0CG0	11100	1320	1520	2520	1600	375	200	280	630	3090	2620	o.r.	
1SL8 634-4PA90-0CJ0	11200	1320	1520	2520	1600	630	200	280	630	3090	2870	o.r.	
1SL8 637-4PA90-0CG0	11950	1320	1520	2520	1800	375	200	280	630	3090	2820	o.r.	
1SL8 637-4PA90-0CJ0	12050	1320	1520	2520	1800	630	200	280	630	3090	3070	o.r.	
1SL8 638-4PA90-0CG0	12600	1320	1520	2520	1800	375	200	280	630	3090	2820	o.r.	
1SL8 638-4PA90-0CJ0	12700	1320	1520	2520	1800	630	200	280	630	3090	3070	o.r.	
1SL8 712-4PA90-0CG0	14400	1500	1620	2720	2000	375	220	280	710	3360	3010	o.r.	
1SL8 712-4PA90-0CJ0	14550	1500	1620	2720	2000	630	220	280	710	3360	3260	o.r.	
1SL8 713-4PA90-0CG0	15100	1500	1620	2720	2000	375	220	280	710	3360	3010	o.r.	
1SL8 713-4PA90-0CJ0	15250	1500	1620	2720	2000	630	220	280	710	3360	3260	o.r.	
1SL8 714-4PA90-0CG0	15800	1500	1620	2720	2000	375	220	280	710	3360	3010	o.r.	
1SL8 714-4PA90-0CJ0	15950	1500	1620	2720	2000	630	220	280	710	3360	3260	o.r.	
1SL8 717-4PA90-0CG0	17050	1500	1620	2720	2240	375	220	280	710	3360	3250	o.r.	
1SL8 717-4PA90-0CJ0	17150	1500	1620	2720	2240	630	220	280	710	3360	3500	o.r.	
1SL8 718-4PA90-0CG0	17550	1500	1620	2720	2240	375	220	280	710	3360	3250	o.r.	
1SL8 718-4PA90-0CJ0	17700	1500	1620	2720	2240	630	220	280	710	3360	3500	o.r.	

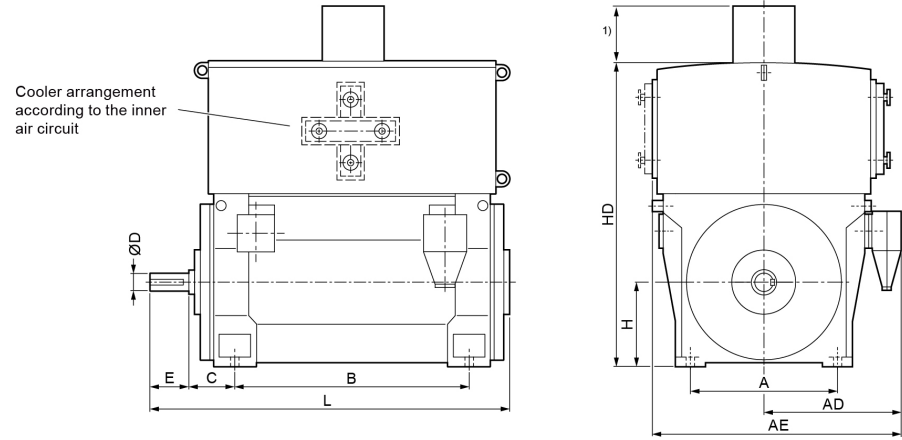
6-pole



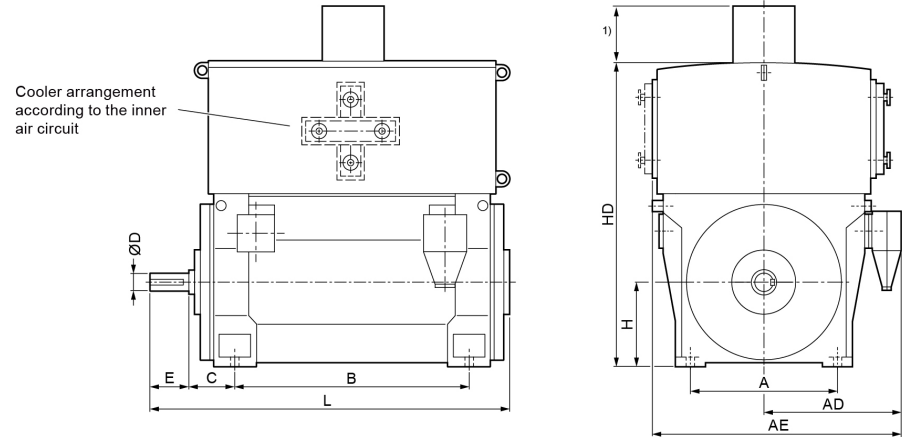
Motor type	Weight	Dimensions										
		A	AD	AE	B	C	D	E	H	HD	L	ML
	kg	mm	mm	mm	mm	mm	mm	mm	mm	mm	mm	mm
Innomotics HV M - 1SL. IC86W 11000 V / 50 Hz B3 (IM 1001) - Dimension drawings												
1SL7 452-6PA90-0AA0	4300	850	1140	1760	1180	250	130	200	450	1940	2290	o.r.
1SL7 452-6PA90-0AC0	4300	850	1140	1760	1180	500	130	200	450	1940	2540	o.r.
1SL7 453-6PA90-0AA0	4450	850	1140	1760	1180	250	130	200	450	1940	2290	o.r.
1SL7 453-6PA90-0AC0	4450	850	1140	1760	1180	500	130	200	450	1940	2540	o.r.
1SL7 453-6PA90-0CA0	4600	850	1140	1760	1180	250	130	200	450	1940	2290	o.r.
1SL7 453-6PA90-0CC0	4650	850	1140	1760	1180	500	130	200	450	1940	2540	o.r.
1SL7 454-6PA90-0AA0	4600	850	1140	1760	1180	250	130	200	450	1940	2290	o.r.
1SL7 454-6PA90-0AC0	4650	850	1140	1760	1180	500	130	200	450	1940	2540	o.r.
1SL7 454-6PA90-0CA0	4800	850	1140	1760	1180	250	130	200	450	1940	2290	o.r.
1SL7 454-6PA90-0CC0	4800	850	1140	1760	1180	500	130	200	450	1940	2540	o.r.
1SL7 457-6PA90-0AA0	5050	850	1140	1760	1400	250	130	200	450	1940	2500	o.r.
1SL7 457-6PA90-0AC0	5100	850	1140	1760	1400	500	130	200	450	1940	2750	o.r.
1SL7 457-6PA90-0CA0	5250	850	1140	1760	1400	250	130	200	450	1940	2500	o.r.
1SL7 457-6PA90-0CC0	5300	850	1140	1760	1400	500	130	200	450	1940	2750	o.r.
1SL7 458-6PA90-0AA0	5350	850	1140	1760	1400	250	130	200	450	1940	2500	o.r.
1SL7 458-6PA90-0AC0	5400	850	1140	1760	1400	500	130	200	450	1940	2750	o.r.
1SL7 458-6PA90-0CA0	5550	850	1140	1760	1400	250	130	200	450	1940	2500	o.r.
1SL7 458-6PA90-0CC0	5600	850	1140	1760	1400	500	130	200	450	1940	2750	o.r.
1SL7 502-6PA90-0CA0	6200	950	1220	1920	1320	315	160	240	500	2230	2520	o.r.
1SL7 502-6PA90-0CC0	6250	950	1220	1920	1320	560	170	240	500	2230	2760	o.r.
1SL7 502-6PA90-0AA0	5950	950	1220	1920	1320	315	160	240	500	2230	2520	o.r.
1SL7 502-6PA90-0AC0	6050	950	1220	1920	1320	560	170	240	500	2230	2760	o.r.
1SL7 503-6PA90-0CA0	6450	950	1220	1920	1320	315	160	240	500	2230	2520	o.r.



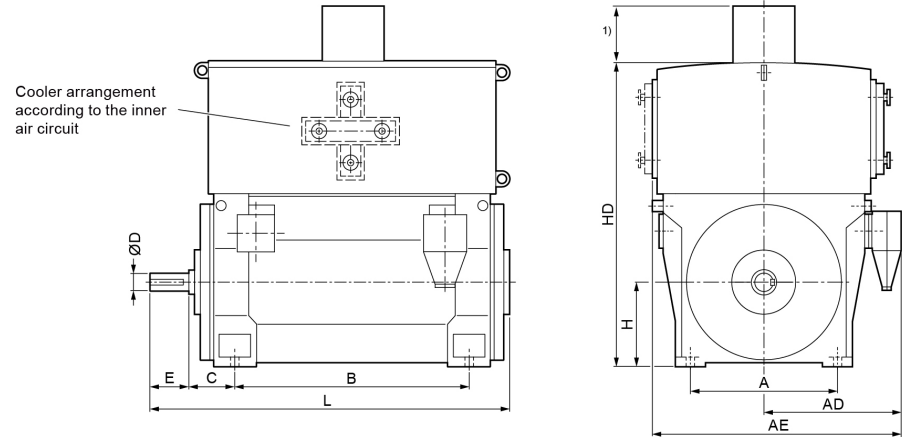
Motor type	Weight	Dimensions										
		A	AD	AE	B	C	D	E	H	HD	L	ML
	kg	mm	mm	mm	mm	mm	mm	mm	mm	mm	mm	mm
Innomotics HV M - 1SL. IC86W 11000 V / 50 Hz B3 (IM 1001) - Dimension drawings												
1SL7 503-6PA90-0CC0	6500	950	1220	1920	1320	560	170	240	500	2230	2760	o.r.
1SL7 503-6PA90-0AA0	6200	950	1220	1920	1320	315	160	240	500	2230	2520	o.r.
1SL7 503-6PA90-0AC0	6300	950	1220	1920	1320	560	170	240	500	2230	2760	o.r.
1SL7 504-6PA90-0AA0	6450	950	1220	1920	1320	315	160	240	500	2230	2520	o.r.
1SL7 504-6PA90-0AC0	6500	950	1220	1920	1320	560	170	240	500	2230	2760	o.r.
1SL7 504-6PA90-0CA0	6700	950	1220	1920	1320	315	160	240	500	2230	2520	o.r.
1SL7 504-6PA90-0CC0	6800	950	1220	1920	1320	560	170	240	500	2230	2760	o.r.
1SL7 507-6PA90-0CA0	7450	950	1220	1920	1500	315	160	240	500	2230	2730	o.r.
1SL7 507-6PA90-0CC0	7500	950	1220	1920	1500	560	170	240	500	2230	2970	o.r.
1SL7 507-6PA90-0AA0	7150	950	1220	1920	1500	315	160	240	500	2230	2730	o.r.
1SL7 507-6PA90-0AC0	7200	950	1220	1920	1500	560	170	240	500	2230	2970	o.r.
1SL7 508-6PA90-0AA0	7450	950	1220	1920	1500	315	160	240	500	2230	2730	o.r.
1SL7 508-6PA90-0AC0	7500	950	1220	1920	1500	560	170	240	500	2230	2970	o.r.
1SL7 561-6PA90-0CA0	8300	1060	1290	2060	1400	335	190	280	560	2680	2770	o.r.
1SL7 561-6PA90-0CC0	8350	1060	1290	2060	1400	600	190	280	560	2680	3030	o.r.
1SL7 562-6PA90-0CA0	8650	1060	1290	2060	1400	335	190	280	560	2680	2770	o.r.
1SL7 562-6PA90-0CC0	8700	1060	1290	2060	1400	600	190	280	560	2680	3030	o.r.
1SL7 563-6PA90-0CA0	8950	1060	1290	2060	1400	335	190	280	560	2680	2770	o.r.
1SL7 563-6PA90-0CC0	9000	1060	1290	2060	1400	600	190	280	560	2680	3030	o.r.
1SL7 567-6PA90-0CA0	10100	1060	1290	2060	1600	335	190	280	560	2680	3000	o.r.
1SL7 567-6PA90-0CC0	10150	1060	1290	2060	1600	600	190	280	560	2680	3260	o.r.
1SL7 568-6PA90-0CA0	10700	1060	1290	2060	1600	335	190	280	560	2680	3000	o.r.
1SL7 568-6PA90-0CC0	10750	1060	1290	2060	1600	600	190	280	560	2680	3260	o.r.



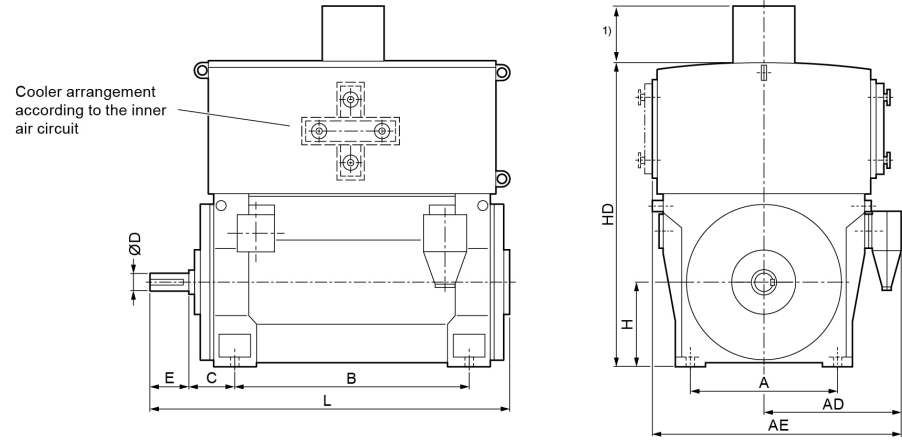
Motor type	Weight	Dimensions										
		A	AD	AE	B	C	D	E	H	HD	L	ML
	kg	mm	mm	mm	mm	mm	mm	mm	mm	mm	mm	mm
Innomotics HV M - 1SL. IC86W 11000 V / 50 Hz B3 (IM 1001) - Dimension drawings												
1SL8 632-6PA90-0CG0	10600	1320	1520	2520	1600	375	200	280	630	3090	2620	o.r.
1SL8 632-6PA90-0CJ0	10700	1320	1520	2520	1600	630	200	280	630	3090	2870	o.r.
1SL8 633-6PA90-0CG0	11050	1320	1520	2520	1600	375	200	280	630	3090	2620	o.r.
1SL8 633-6PA90-0CJ0	11150	1320	1520	2520	1600	630	200	280	630	3090	2870	o.r.
1SL8 634-6PA90-0CG0	11550	1320	1520	2520	1600	375	200	280	630	3090	2620	o.r.
1SL8 634-6PA90-0CJ0	11700	1320	1520	2520	1600	630	200	280	630	3090	2870	o.r.
1SL8 637-6PA90-0CG0	12300	1320	1520	2520	1800	375	200	280	630	3090	2820	o.r.
1SL8 637-6PA90-0CJ0	12400	1320	1520	2520	1800	630	200	280	630	3090	3070	o.r.
1SL8 638-6PA90-0CG0	12850	1320	1520	2520	1800	375	200	280	630	3090	2820	o.r.
1SL8 638-6PA90-0CJ0	12950	1320	1520	2520	1800	630	200	280	630	3090	3070	o.r.
1SL8 712-6PA90-0CG0	14350	1500	1620	2720	2000	375	220	280	710	3360	3010	o.r.
1SL8 712-6PA90-0CJ0	14500	1500	1620	2720	2000	630	220	280	710	3360	3260	o.r.
1SL8 713-6PA90-0CG0	15300	1500	1620	2720	2000	375	220	280	710	3360	3010	o.r.
1SL8 713-6PA90-0CJ0	15400	1500	1620	2720	2000	630	220	280	710	3360	3260	o.r.
1SL8 714-6PA90-0CG0	16300	1500	1620	2720	2000	375	220	280	710	3360	3010	o.r.
1SL8 714-6PA90-0CJ0	16400	1500	1620	2720	2000	630	220	280	710	3360	3260	o.r.
1SL8 717-6PA90-0CG0	17750	1500	1620	2720	2240	375	220	280	710	3360	3250	o.r.
1SL8 717-6PA90-0CJ0	17900	1500	1620	2720	2240	630	220	280	710	3360	3500	o.r.
1SL8 718-6PA90-0CG0	18750	1500	1620	2720	2240	375	220	280	710	3360	3250	o.r.
1SL8 718-6PA90-0CJ0	18900	1500	1620	2720	2240	630	220	280	710	3360	3500	o.r.
8-pole												
1SL7 451-8PA90-0AA0	4250	850	1140	1760	1180	250	130	200	450	1940	2290	o.r.
1SL7 451-8PA90-0AC0	4300	850	1140	1760	1180	500	130	200	450	1940	2540	o.r.



Motor type	Weight	Dimensions											
		A	AD	AE	B	C	D	E	H	HD	L	ML	
	kg	mm	mm	mm	mm	mm	mm	mm	mm	mm	mm	mm	mm
Innomotics HV M - 1SL. IC86W 11000 V / 50 Hz B3 (IM 1001) - Dimension drawings													
1SL7 451-8PA90-0CA0	4400	850	1140	1760	1180	250	130	200	450	1940	2290	o.r.	
1SL7 451-8PA90-0CC0	4450	850	1140	1760	1180	500	130	200	450	1940	2540	o.r.	
1SL7 452-8PA90-0AA0	4400	850	1140	1760	1180	250	130	200	450	1940	2290	o.r.	
1SL7 452-8PA90-0AC0	4450	850	1140	1760	1180	500	130	200	450	1940	2540	o.r.	
1SL7 452-8PA90-0CA0	4550	850	1140	1760	1180	250	130	200	450	1940	2290	o.r.	
1SL7 452-8PA90-0CC0	4600	850	1140	1760	1180	500	130	200	450	1940	2540	o.r.	
1SL7 453-8PA90-0AA0	4600	850	1140	1760	1180	250	130	200	450	1940	2290	o.r.	
1SL7 453-8PA90-0AC0	4650	850	1140	1760	1180	500	130	200	450	1940	2540	o.r.	
1SL7 453-8PA90-0CA0	4800	850	1140	1760	1180	250	130	200	450	1940	2290	o.r.	
1SL7 453-8PA90-0CC0	4800	850	1140	1760	1180	500	130	200	450	1940	2540	o.r.	
1SL7 454-8PA90-0AA0	4850	850	1140	1760	1180	250	130	200	450	1940	2290	o.r.	
1SL7 454-8PA90-0AC0	4850	850	1140	1760	1180	500	130	200	450	1940	2540	o.r.	
1SL7 454-8PA90-0CA0	5000	850	1140	1760	1180	250	130	200	450	1940	2290	o.r.	
1SL7 454-8PA90-0CC0	5050	850	1140	1760	1180	500	130	200	450	1940	2540	o.r.	
1SL7 457-8PA90-0AA0	5350	850	1140	1760	1400	250	130	200	450	1940	2500	o.r.	
1SL7 457-8PA90-0AC0	5350	850	1140	1760	1400	500	130	200	450	1940	2750	o.r.	
1SL7 457-8PA90-0CA0	5500	850	1140	1760	1400	250	130	200	450	1940	2500	o.r.	
1SL7 457-8PA90-0CC0	5550	850	1140	1760	1400	500	130	200	450	1940	2750	o.r.	
1SL7 458-8PA90-0AA0	5600	850	1140	1760	1400	250	130	200	450	1940	2500	o.r.	
1SL7 458-8PA90-0AC0	5600	850	1140	1760	1400	500	130	200	450	1940	2750	o.r.	
1SL7 458-8PA90-0CA0	5800	850	1140	1760	1400	250	130	200	450	1940	2500	o.r.	
1SL7 458-8PA90-0CC0	5800	850	1140	1760	1400	500	130	200	450	1940	2750	o.r.	
1SL7 502-8PA90-0AA0	5900	950	1220	1920	1320	315	160	240	500	2230	2520	o.r.	

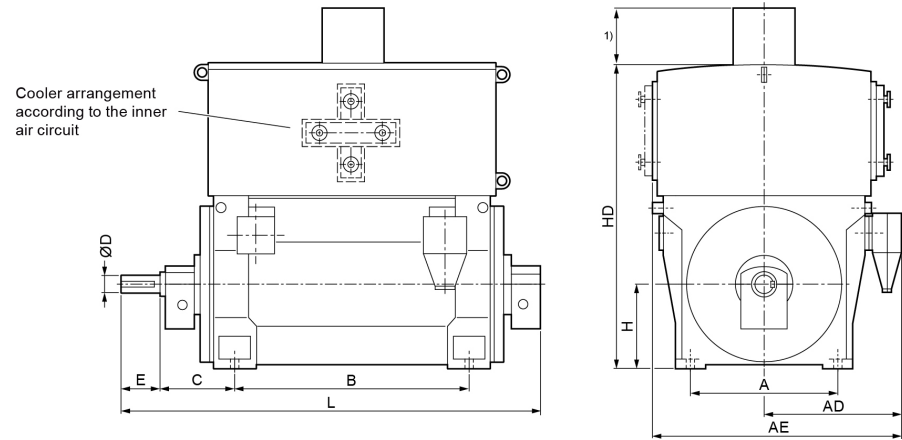


Motor type	Weight	Dimensions											
		A	AD	AE	B	C	D	E	H	HD	L	ML	
	kg	mm	mm	mm	mm	mm	mm	mm	mm	mm	mm	mm	mm
Innomotics HV M - 1SL. IC86W 11000 V / 50 Hz B3 (IM 1001) - Dimension drawings													
1SL7 502-8PA90-0AC0	5950	950	1220	1920	1320	560	170	240	500	2230	2760	o.r.	
1SL7 502-8PA90-0CA0	6100	950	1220	1920	1320	315	160	240	500	2230	2520	o.r.	
1SL7 502-8PA90-0CC0	6150	950	1220	1920	1320	560	170	240	500	2230	2760	o.r.	
1SL7 503-8PA90-0AA0	6200	950	1220	1920	1320	315	160	240	500	2230	2520	o.r.	
1SL7 503-8PA90-0AC0	6250	950	1220	1920	1320	560	170	240	500	2230	2760	o.r.	
1SL7 503-8PA90-0CA0	6450	950	1220	1920	1320	315	160	240	500	2230	2520	o.r.	
1SL7 503-8PA90-0CC0	6500	950	1220	1920	1320	560	170	240	500	2230	2760	o.r.	
1SL7 504-8PA90-0AA0	6500	950	1220	1920	1320	315	160	240	500	2230	2520	o.r.	
1SL7 504-8PA90-0AC0	6600	950	1220	1920	1320	560	170	240	500	2230	2760	o.r.	
1SL7 504-8PA90-0CA0	6750	950	1220	1920	1320	315	160	240	500	2230	2520	o.r.	
1SL7 504-8PA90-0CC0	6800	950	1220	1920	1320	560	170	240	500	2230	2760	o.r.	
1SL7 507-8PA90-0AA0	7200	950	1220	1920	1500	315	160	240	500	2230	2730	o.r.	
1SL7 507-8PA90-0AC0	7250	950	1220	1920	1500	560	170	240	500	2230	2970	o.r.	
1SL7 507-8PA90-0CA0	7450	950	1220	1920	1500	315	160	240	500	2230	2730	o.r.	
1SL7 507-8PA90-0CC0	7500	950	1220	1920	1500	560	170	240	500	2230	2970	o.r.	
1SL7 508-8PA90-0AA0	7500	950	1220	1920	1500	315	160	240	500	2230	2730	o.r.	
1SL7 508-8PA90-0AC0	7550	950	1220	1920	1500	560	170	240	500	2230	2970	o.r.	
1SL7 508-8PA90-0CA0	7750	950	1220	1920	1500	315	160	240	500	2230	2730	o.r.	
1SL7 508-8PA90-0CC0	7850	950	1220	1920	1500	560	170	240	500	2230	2970	o.r.	
1SL7 563-8PA90-0CA0	8800	1060	1290	2060	1400	335	190	280	560	2680	2770	o.r.	
1SL7 563-8PA90-0CC0	8900	1060	1290	2060	1400	600	190	280	560	2680	3030	o.r.	
1SL7 564-8PA90-0CA0	9250	1060	1290	2060	1400	335	190	280	560	2680	2770	o.r.	
1SL7 564-8PA90-0CC0	9300	1060	1290	2060	1400	600	190	280	560	2680	3030	o.r.	



Motor type	Weight	Dimensions											
		A	AD	AE	B	C	D	E	H	HD	L	ML	
	kg	mm	mm	mm	mm	mm	mm	mm	mm	mm	mm	mm	mm
Innomotics HV M - 1SL. IC86W 11000 V / 50 Hz B3 (IM 1001) - Dimension drawings													
1SL7 567-8PA90-0CA0	10100	1060	1290	2060	1600	335	190	280	560	2680	3000	o.r.	
1SL7 567-8PA90-0CC0	10200	1060	1290	2060	1600	600	190	280	560	2680	3260	o.r.	
1SL7 568-8PA90-0CA0	10600	1060	1290	2060	1600	335	190	280	560	2680	3000	o.r.	
1SL7 568-8PA90-0CC0	10700	1060	1290	2060	1600	600	190	280	560	2680	3260	o.r.	
1SL8 633-8PA90-0CG0	9900	1320	1520	2520	1600	375	200	280	630	3090	2620	o.r.	
1SL8 633-8PA90-0CJ0	10000	1320	1520	2520	1600	630	200	280	630	3090	2870	o.r.	
1SL8 634-8PA90-0CG0	10600	1320	1520	2520	1600	375	200	280	630	3090	2620	o.r.	
1SL8 634-8PA90-0CJ0	10700	1320	1520	2520	1600	630	200	280	630	3090	2870	o.r.	
1SL8 637-8PA90-0CG0	11800	1320	1520	2520	1800	375	200	280	630	3090	2820	o.r.	
1SL8 637-8PA90-0CJ0	11900	1320	1520	2520	1800	630	200	280	630	3090	3070	o.r.	
1SL8 638-8PA90-0CG0	12500	1320	1520	2520	1800	375	200	280	630	3090	2820	o.r.	
1SL8 638-8PA90-0CJ0	12600	1320	1520	2520	1800	630	200	280	630	3090	3070	o.r.	
1SL8 712-8PA90-0CG0	13750	1500	1620	2720	2000	375	220	280	710	3270	3010	o.r.	
1SL8 712-8PA90-0CJ0	13950	1500	1620	2720	2000	630	220	280	710	3270	3260	o.r.	
1SL8 713-8PA90-0CG0	14600	1500	1620	2720	2000	375	220	280	710	3270	3010	o.r.	
1SL8 713-8PA90-0CJ0	14800	1500	1620	2720	2000	630	220	280	710	3270	3260	o.r.	
1SL8 714-8PA90-0CG0	15700	1500	1620	2720	2000	375	220	280	710	3270	3010	o.r.	
1SL8 714-8PA90-0CJ0	15900	1500	1620	2720	2000	630	220	280	710	3270	3260	o.r.	
1SL8 717-8PA90-0CG0	17350	1500	1620	2720	2240	375	220	280	710	3270	3250	o.r.	
1SL8 717-8PA90-0CJ0	17550	1500	1620	2720	2240	630	220	280	710	3270	3500	o.r.	
1SL8 718-8PA90-0CG0	18350	1500	1620	2720	2240	375	220	280	710	3270	3250	o.r.	
1SL8 718-8PA90-0CJ0	18550	1500	1620	2720	2240	630	220	280	710	3270	3500	o.r.	

Innomotics HV M - 1SL, IC86W 13800 V / 60 Hz B3 (IM 1001)																			
Rated power IEC	Article No.	Speed	Rated current I_R	Efficiency				Power factor				Torque T_R	Breakdown torque T_B/ T_R	Locked rotor torque T_{LR}/ T_R	Locked rotor current I_{LR}/ I_R	Inertia			
				5/4 load	4/4 load	3/4 load	2/4 load	5/4 load	4/4 load	3/4 load	2/4 load					motor	external	Startup max T/TR	
kW		rpm	A	%	%	%	%	cos φ	cos φ	cos φ	cos φ	Nm	[-]	[-]	[-]	kgm ²	kgm ²	[-]	
2-pole: $n_{sync} = 3600$ rpm at 60 Hz																			
6600	1SL8 633-2PA20-0CJ0	3585	315	96.6	96.8	96.5	95.6	0.88	0.90	0.89	0.87	17580	2.20	0.55	5.4	82	200	o.r.	
8050	1SL8 637-2PA20-0CJ0	3587	380	96.9	97.1	96.7	95.8	0.90	0.91	0.90	0.87	21431	2.60	0.65	6.0	98	200	o.r.	
10750	1SL8 714-2PA20-0CJ0	3588	520	96.9	96.9	96.5	95.5	0.89	0.90	0.90	0.88	28611	2.30	0.60	5.8	173	110	o.r.	
12550	1SL8 717-2PA20-0CJ0	3589	590	97.1	97.1	96.8	95.9	0.90	0.91	0.91	0.89	33392	2.45	0.60	6.0	202	110	o.r.	
4-pole: $n_{sync} = 1800$ rpm at 60 Hz																			
5850	1SL8 633-4PA20-0C.0	1792	280	96.8	97.2	97.3	96.9	0.89	0.90	0.89	0.85	31174	2.40	0.55	5.9	151	550	o.r.	
7200	1SL8 637-4PA20-0C.0	1793	345	97.1	97.4	97.4	97.0	0.89	0.90	0.88	0.84	38346	2.55	0.60	6.0	181	660	o.r.	
9250	1SL8 713-4PA20-0C.0	1793	440	97.1	97.4	97.4	97.0	0.89	0.90	0.89	0.84	49264	2.60	0.50	6.0	282	690	o.r.	
11050	1SL8 717-4PA20-0C.0	1793	530	97.3	97.5	97.6	97.2	0.89	0.90	0.90	0.86	58851	2.55	0.45	6.0	342	780	o.r.	
6-pole: $n_{sync} = 1200$ rpm at 60 Hz																			
4950	1SL8 633-6PA20-0C.0	1193	245	96.5	97.0	97.1	96.8	0.85	0.87	0.84	0.77	39622	2.30	0.55	5.5	209	1400	o.r.	
6050	1SL8 637-6PA20-0C.0	1194	300	96.8	97.1	97.2	96.8	0.86	0.87	0.83	0.76	48386	2.50	0.60	5.5	246	1900	o.r.	
8650	1SL8 714-6PA20-0C.0	1195	425	97.2	97.5	97.6	97.3	0.86	0.87	0.85	0.78	69123	2.40	0.50	5.5	422	1910	o.r.	
9550	1SL8 717-6PA20-0C.0	1195	470	97.3	97.5	97.6	97.2	0.86	0.87	0.84	0.77	76314	2.45	0.50	5.5	474	2060	o.r.	



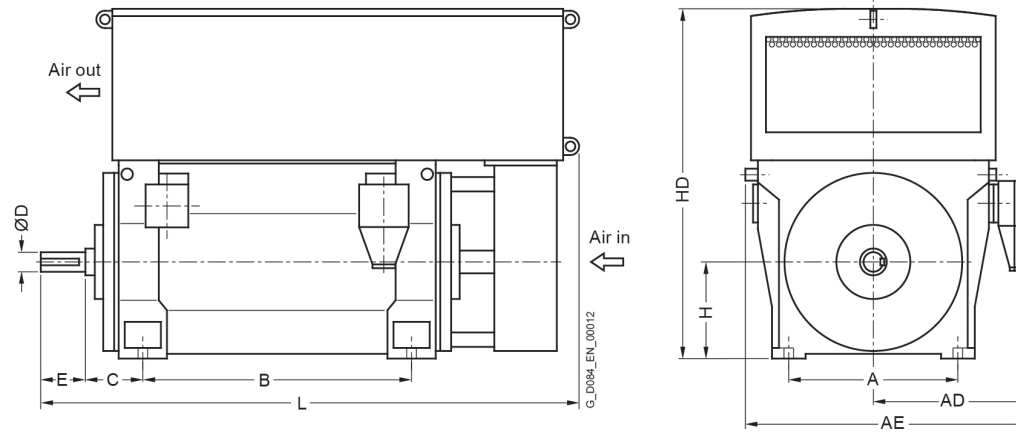
Motor type	Weight	Dimensions										
		A	AD	AE	B	C	D	E	H	HD	L	ML
	kg	mm	mm	mm	mm	mm	mm	mm	mm	mm	mm	mm
Innomotics HV M - 1SL. IC86W 13800 V / 60 Hz B3 (IM 1001) - Dimension drawings												
2-pole												
1SL8 633-2PA20-0CJ0	9750	1320	1647	2647	1600	560	160	240	630	3150	2760	o.r.
1SL8 637-2PA20-0CJ0	11050	1320	1647	2647	1800	560	160	240	630	3150	2960	o.r.
1SL8 714-2PA20-0CJ0	14450	1500	1747	2847	2000	560	180	240	710	3410	3150	o.r.
1SL8 717-2PA20-0CJ0	16150	1500	1747	2847	2240	560	180	240	710	3410	3390	o.r.
4-pole												
1SL8 633-4PA20-0CG0	10450	1320	1647	2647	1600	375	200	280	630	3150	2620	o.r.
1SL8 633-4PA20-0CJ0	10550	1320	1647	2647	1600	630	200	280	630	3150	2870	o.r.
1SL8 637-4PA20-0CG0	11800	1320	1647	2647	1800	375	200	280	630	3150	2820	o.r.
1SL8 637-4PA20-0CJ0	11900	1320	1647	2647	1800	630	200	280	630	3150	3070	o.r.
1SL8 713-4PA20-0CG0	14900	1500	1747	2847	2000	375	220	280	710	3410	3010	o.r.
1SL8 713-4PA20-0CJ0	15050	1500	1747	2847	2000	630	220	280	710	3410	3260	o.r.
1SL8 717-4PA20-0CG0	16800	1500	1747	2847	2240	375	220	280	710	3410	3250	o.r.
1SL8 717-4PA20-0CJ0	16950	1500	1747	2847	2240	630	220	280	710	3410	3500	o.r.
6-pole												
1SL8 633-6PA20-0CG0	10900	1320	1647	2647	1600	375	200	280	630	3150	2620	o.r.
1SL8 633-6PA20-0CJ0	11000	1320	1647	2647	1600	630	200	280	630	3150	2870	o.r.
1SL8 637-6PA20-0CG0	12150	1320	1647	2647	1800	375	200	280	630	3150	2820	o.r.
1SL8 637-6PA20-0CJ0	12300	1320	1647	2647	1800	630	200	280	630	3150	3070	o.r.
1SL8 714-6PA20-0CG0	16200	1500	1747	2847	2000	375	220	280	710	3410	3010	o.r.
1SL8 714-6PA20-0CJ0	16350	1500	1747	2847	2000	630	220	280	710	3410	3260	o.r.
1SL8 717-6PA20-0CG0	17500	1500	1747	2847	2240	375	220	280	710	3410	3250	o.r.
1SL8 717-6PA20-0CJ0	17650	1500	1747	2847	2240	630	220	280	710	3410	3500	o.r.

Innomotics HV M - 1SB. IC611 6000 V / 50 Hz B3 (IM 1001)																		
Rated power IEC kW	Article No.	Speed	Rated current	Efficiency				Power factor				Torque	Breakdown torque	Locked rotor torque	Locked rotor current	Inertia		
		rpm	I_R A	5/4 load %	4/4 load %	3/4 load %	2/4 load %	5/4 load $\cos \varphi$	4/4 load $\cos \varphi$	3/4 load $\cos \varphi$	2/4 load $\cos \varphi$	T_R Nm	T_B/ T_R [-]	T_{LR}/ T_R [-]	I_{LR}/ I_R [-]	motor kgm ²	external kgm ²	Startup max T/TR [-]
2-pole: n_{sync} = 3000 rpm at 50 Hz																		
1410	1SB7 453-2JA60-0A.2	2978	158	95.5	95.9	96.1	95.5	0.88	0.89	0.88	0.84	4525	2.40	0.55	5.5	10	55	o.r.
1440	1SB7 453-2JA60-0C.2	2976	162	95.4	96.0	96.2	95.8	0.87	0.89	0.89	0.86	4625	2.15	0.55	4.7	14	135	o.r.
1600	1SB7 454-2JA60-0A.2	2978	180	95.6	96.0	96.1	95.5	0.88	0.89	0.88	0.83	5133	2.40	0.55	5.5	11	55	o.r.
1600	1SB7 454-2JA60-0C.2	2978	178	95.6	96.1	96.1	95.5	0.88	0.90	0.89	0.85	5131	2.45	0.60	5.4	15	135	o.r.
1800	1SB7 457-2JA60-0A.2	2976	200	95.6	96.1	96.4	96.1	0.88	0.90	0.90	0.87	5778	2.40	0.55	5.5	12	55	o.r.
1800	1SB7 457-2JA60-0C.2	2978	200	95.7	96.2	96.3	95.9	0.90	0.90	0.90	0.87	5774	2.50	0.65	5.5	16	135	o.r.
2000	1SB7 458-2JA60-0A.2	2976	220	95.9	96.3	96.5	96.1	0.89	0.90	0.90	0.86	6419	2.50	0.60	5.6	13	60	o.r.
2000	1SB7 458-2JA60-0C.2	2978	220	95.9	96.4	96.6	96.1	0.89	0.90	0.90	0.87	6416	2.50	0.65	5.5	18	140	o.r.
2120	1SB7 503-2JA60-0A.2	2970	240	95.7	96.2	96.4	96.2	0.88	0.89	0.88	0.84	6817	2.50	0.65	4.9	15	44	o.r.
2200	1SB7 503-2JA60-0C.2	2975	245	95.9	96.4	96.6	96.3	0.88	0.89	0.89	0.86	7065	2.35	0.65	4.6	20	120	o.r.
2160	1SB7 504-2JA60-0A.2	2971	240	95.9	96.3	96.5	96.2	0.89	0.90	0.88	0.84	6941	2.65	0.60	5.2	15	52	o.r.
2260	1SB7 504-2JA60-0C.2	2975	250	96.0	96.4	96.6	96.4	0.89	0.90	0.90	0.85	7255	2.50	0.65	4.8	21	124	o.r.
2510	1SB7 507-2JA60-0A.2	2973	280	96.2	96.6	96.8	96.5	0.90	0.90	0.89	0.84	8061	2.75	0.75	5.6	18	58	o.r.
2630	1SB7 507-2JA60-0C.2	2977	290	96.3	96.7	96.9	96.6	0.90	0.91	0.90	0.86	8437	2.60	0.75	5.1	24	128	o.r.
2700	1SB7 508-2JA60-0A.2	2975	295	96.4	96.8	96.9	96.7	0.91	0.91	0.90	0.85	8664	2.95	0.85	6.1	20	72	o.r.
2840	1SB7 508-2JA60-0C.2	2979	305	96.5	96.9	97.0	96.8	0.91	0.92	0.91	0.87	9105	2.75	0.85	5.6	27	144	o.r.
3200	1SB7 562-2JA60-0CC2	2984	350	96.3	96.4	96.3	95.6	0.91	0.91	0.90	0.86	10247	2.55	0.70	5.8	41	260	o.r.
3550	1SB7 563-2JA60-0CC2	2984	390	96.5	96.6	96.5	95.8	0.90	0.91	0.90	0.86	11367	2.55	0.65	5.7	44	270	o.r.
4000	1SB7 564-2JA60-0CC2	2983	440	96.4	96.5	96.3	95.6	0.91	0.91	0.91	0.87	12814	2.45	0.65	5.5	47	275	o.r.
4500	1SB7 567-2JA60-0CC2	2984	485	96.6	96.7	96.5	95.8	0.92	0.92	0.91	0.87	14407	2.60	0.65	5.9	52	275	o.r.
5000	1SB7 568-2JA60-0CC2	2986	540	96.9	96.8	96.7	95.9	0.92	0.92	0.90	0.86	15993	2.85	0.65	5.9	58	295	o.r.
5600	1SB8 633-2JA60-0CJ0	2983	630	96.4	96.7	96.4	95.5	0.87	0.89	0.90	0.88	17927	2.20	0.60	5.2	82	250	o.r.
6100	1SB8 634-2JA60-0CJ0	2983	670	96.5	96.9	96.6	95.8	0.88	0.90	0.90	0.89	19528	2.20	0.60	5.2	90	250	o.r.
6750	1SB8 637-2JA60-0CJ0	2984	740	96.8	97.1	96.8	96.0	0.89	0.91	0.91	0.90	21601	2.35	0.65	5.5	99	260	o.r.
7300	1SB8 638-2JA60-0CJ0	2985	790	96.9	97.2	96.9	96.1	0.90	0.91	0.91	0.89	23353	2.50	0.65	5.9	107	270	o.r.
7950	1SB8 712-2JA60-0CJ0	2986	890	96.6	96.7	96.5	95.6	0.86	0.89	0.89	0.88	25424	2.00	0.55	4.7	149	190	o.r.
8550	1SB8 713-2JA60-0CJ0	2987	940	96.7	96.9	96.6	95.7	0.87	0.90	0.90	0.88	27334	2.15	0.60	5.1	160	149	o.r.
8800	1SB8 714-2JA60-0CJ0	2988	970	96.8	96.9	96.6	95.7	0.88	0.90	0.90	0.88	28124	2.25	0.45	5.2	172	240	o.r.
9100	1SB8 716-2JA60-0CJ0	2985	990	96.8	97.0	96.8	96.1	0.88	0.91	0.92	0.92	29112	2.05	0.55	4.8	186	210	o.r.
10100	1SB8 717-2JA60-0CJ0	2986	1100	97.0	97.2	97.0	96.4	0.88	0.91	0.92	0.91	32300	2.05	0.55	4.9	201	220	o.r.
11000	1SB8 718-2JA60-0CJ0	2988	1180	97.3	97.4	97.1	96.4	0.90	0.92	0.91	0.90	35155	2.25	0.50	5.4	217	250	o.r.
4-pole: n_{sync} = 1500 rpm at 50 Hz																		
1320	1SB7 453-4JA60-0A.2	1483	150	95.0	95.7	95.8	95.6	0.87	0.88	0.86	0.80	8504	2.50	0.70	5.7	17	275	o.r.
1400	1SB7 453-4JA60-0C.2	1486	160	95.2	95.8	96.0	95.8	0.87	0.88	0.87	0.82	9008	2.25	0.50	5.0	23	500	o.r.
1430	1SB7 454-4JA60-0A.0	1484	166	95.1	95.7	95.9	95.6	0.87	0.87	0.83	0.74	9206	2.70	0.85	5.9	19	325	o.r.
1600	1SB7 454-4JA60-0C.2	1486	182	95.4	96.0	96.2	95.9	0.87	0.88	0.86	0.80	10288	2.35	0.50	5.0	26	535	o.r.

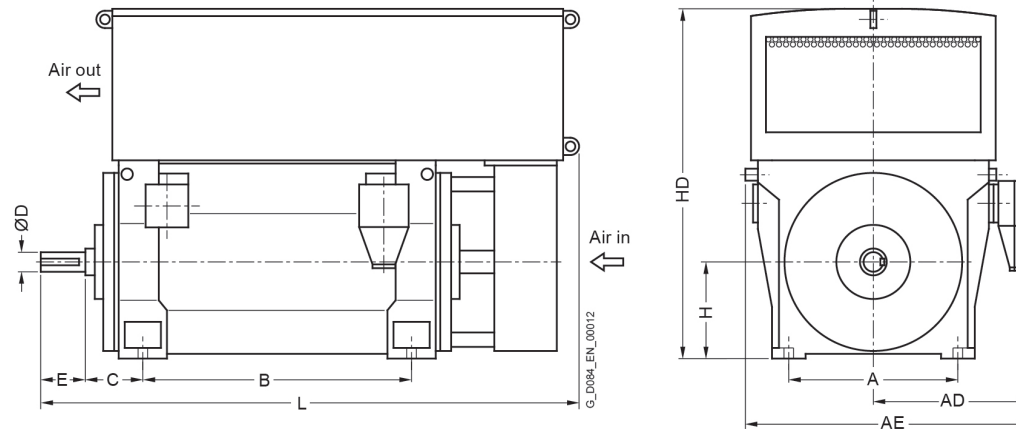
Innomotics HV M - 1SB. IC611 6000 V / 50 Hz B3 (IM 1001)																		
Rated power IEC	Article No.	Speed	Rated current	Efficiency				Power factor				Torque	Breakdown torque	Locked rotor torque	Locked rotor current	Inertia		
		n_r	I_R	5/4 load	4/4 load	3/4 load	2/4 load	5/4 load	4/4 load	3/4 load	2/4 load	T_R	T_B / T_R	T_{LR} / T_R	I_{LR} / I_R	motor	external	Startup max T/TR
kW		rpm	A	%	%	%	%	cos φ	cos φ	cos φ	cos φ	Nm	[-]	[-]	[-]	kgm ²	kgm ²	[-]
1800	1SB7 457-4JA60-0C.2	1488	205	95.9	96.3	96.4	96.1	0.88	0.88	0.86	0.79	11554	2.65	0.60	6.0	30	690	o.r.
1660	1SB7 457-4JA60-0A.2	1484	184	95.5	96.1	96.3	96.1	0.89	0.90	0.88	0.83	10686	2.65	0.80	5.8	22	375	o.r.
2000	1SB7 458-4JA60-0C.2	1489	225	96.0	96.4	96.5	96.2	0.88	0.88	0.86	0.78	12833	2.75	0.60	6.0	33	730	o.r.
1800	1SB7 458-4JA60-0A.2	1485	200	95.7	96.2	96.4	96.2	0.89	0.90	0.88	0.83	11581	2.75	0.85	6.0	24	410	o.r.
2170	1SB7 503-4JA60-0C.2	1488	245	96.0	96.4	96.6	96.2	0.89	0.89	0.87	0.82	13931	2.55	0.65	5.2	45	690	o.r.
2100	1SB7 503-4JA60-0A.2	1485	235	95.7	96.3	96.6	96.3	0.88	0.90	0.89	0.85	13517	2.30	0.80	5.1	37	560	o.r.
2370	1SB7 504-4JA60-0C.2	1489	260	96.2	96.6	96.7	96.3	0.89	0.90	0.87	0.82	15207	2.60	0.70	5.5	50	735	o.r.
2240	1SB7 504-4JA60-0A.2	1485	250	95.8	96.4	96.7	96.4	0.89	0.90	0.89	0.86	14412	2.40	0.90	5.4	40	605	o.r.
2650	1SB7 507-4JA60-0C.2	1490	295	96.4	96.7	96.9	96.4	0.89	0.90	0.87	0.82	16997	2.60	0.70	5.5	56	825	o.r.
2470	1SB7 507-4JA60-0A.2	1485	270	96.0	96.5	96.8	96.6	0.89	0.91	0.90	0.87	15890	2.50	0.95	5.6	46	675	o.r.
2880	1SB7 508-4JA60-0C.2	1491	320	96.5	96.8	96.9	96.5	0.89	0.89	0.87	0.81	18460	2.90	0.75	6.0	62	865	o.r.
2700	1SB7 508-4JA60-0A.2	1488	300	96.2	96.7	97.0	96.8	0.89	0.90	0.90	0.87	17368	2.45	0.90	5.6	50	795	o.r.
3150	1SB7 563-4JA60-0C.2	1491	355	96.6	96.9	97.1	96.8	0.88	0.88	0.87	0.83	20188	2.35	0.65	5.6	80	680	o.r.
3600	1SB7 564-4JA60-0C.2	1490	401	96.6	97.0	97.2	97.0	0.88	0.89	0.89	0.86	23090	2.20	0.60	5.2	90	780	o.r.
4100	1SB7 566-4JA60-0C.2	1490	451	96.7	97.1	97.3	97.2	0.88	0.90	0.90	0.87	26297	2.20	0.70	5.3	100	780	o.r.
4650	1SB7 567-4JA60-0C.2	1491	517	97.0	97.2	97.4	97.2	0.88	0.89	0.88	0.84	29796	2.40	0.65	5.7	109	860	o.r.
5000	1SB7 568-4JA60-0C.2	1492	556	97.1	97.3	97.5	97.1	0.89	0.89	0.87	0.81	32005	2.70	0.80	6.5	119	830	o.r.
5500	1SB8 633-4JA60-0C.0	1491	610	96.6	97.0	96.9	96.4	0.88	0.89	0.88	0.84	35225	2.40	0.60	5.7	151	660	o.r.
5850	1SB8 634-4JA60-0C.0	1491	640	96.7	97.0	97.0	96.5	0.88	0.90	0.89	0.85	37467	2.40	0.60	5.8	166	760	o.r.
6550	1SB8 637-4JA60-0C.0	1492	720	96.9	97.2	97.1	96.6	0.89	0.90	0.88	0.84	41922	2.50	0.60	6.0	181	820	o.r.
7250	1SB8 638-4JA60-0C.0	1492	810	97.0	97.3	97.2	96.7	0.88	0.89	0.87	0.81	46402	2.55	0.60	6.0	197	910	o.r.
7950	1SB8 712-4JA60-0C.0	1492	880	97.0	97.3	97.3	96.8	0.88	0.89	0.88	0.84	50883	2.35	0.50	5.5	258	830	o.r.
8450	1SB8 713-4JA60-0C.0	1492	940	97.2	97.4	97.4	96.9	0.89	0.89	0.88	0.84	54083	2.50	0.50	5.8	282	930	o.r.
9150	1SB8 714-4JA60-0C.0	1493	1000	97.3	97.5	97.5	97.1	0.89	0.90	0.89	0.85	58524	2.60	0.55	6.0	310	1040	o.r.
10100	1SB8 717-4JA60-0C.0	1493	1100	97.4	97.6	97.6	97.2	0.89	0.90	0.89	0.85	64600	2.60	0.55	6.0	344	1140	o.r.
10350	1SB8 718-4JA60-0C.0	1492	1120	97.3	97.6	97.7	97.3	0.90	0.91	0.91	0.89	66243	2.55	0.55	6.0	365	1170	o.r.
6-pole: $n_{sync} = 1000$ rpm at 50 Hz																		
1080	1SB7 453-6JA60-0A.2	989	128	94.7	95.5	95.8	95.6	0.85	0.85	0.82	0.74	10435	2.20	0.80	5.1	22	845	o.r.
1100	1SB7 453-6JA60-0C.0	989	130	94.6	95.4	95.8	95.7	0.85	0.86	0.84	0.77	10628	2.25	0.65	5.0	30	1030	o.r.
1230	1SB7 454-6JA60-0C.2	989	146	94.9	95.6	95.9	95.8	0.85	0.85	0.83	0.75	11883	2.30	0.65	5.0	33	1300	o.r.
1120	1SB7 454-6JA60-0A.2	990	132	94.8	95.6	95.9	95.8	0.85	0.86	0.83	0.75	10816	2.40	0.85	5.5	24	875	o.r.
1320	1SB7 457-6JA60-0A.0	990	156	95.0	95.7	96.0	95.9	0.85	0.85	0.82	0.74	12747	2.40	0.80	5.3	28	1130	o.r.
1350	1SB7 457-6JA60-0C.0	989	158	95.0	95.7	96.0	96.0	0.85	0.86	0.84	0.77	13034	2.35	0.65	5.1	36	1365	o.r.
1420	1SB7 458-6JA60-0A.2	991	166	95.3	95.9	96.2	96.0	0.86	0.86	0.82	0.73	13697	2.55	0.90	5.8	31	1250	o.r.
1450	1SB7 458-6JA60-0C.2	990	168	95.3	96.0	96.2	96.1	0.86	0.87	0.84	0.77	13990	2.50	0.70	5.3	41	1470	o.r.
1880	1SB7 503-6JA60-0C.2	992	210	95.8	96.3	96.5	96.3	0.84	0.86	0.82	0.74	18109	2.35	0.75	4.7	60	1740	o.r.
1860	1SB7 503-6JA60-0A.2	990	210	95.4	96.1	96.5	96.5	0.84	0.86	0.84	0.78	17956	2.15	0.85	4.6	46	1560	o.r.

Innomotics HV M - 1SB. IC611 6000 V / 50 Hz B3 (IM 1001)																		
Rated power IEC	Article No.	Speed	Rated current I_R	Efficiency				Power factor				Torque T_R	Breakdown torque T_B/ T_R	Locked rotor torque T_{LR}/ T_R	Locked rotor current I_{LR}/ I_R	Inertia		
				5/4 load	4/4 load	3/4 load	2/4 load	5/4 load	4/4 load	3/4 load	2/4 load					motor	external	Startup max T/TR
kW		rpm	A	%	%	%	%	cos φ	cos φ	cos φ	cos φ	Nm	[-]	[-]	[-]	kgm ²	kgm ²	[-]
1960	1SB7 504-6JA60-0A.2	990	230	95.7	96.3	96.6	96.5	0.85	0.86	0.84	0.77	18901	2.35	0.90	5.0	51	1890	o.r.
2000	1SB7 504-6JA60-0C.2	992	230	95.9	96.4	96.7	96.5	0.85	0.86	0.84	0.77	19263	2.40	0.85	4.9	66	2070	o.r.
2280	1SB7 507-6JA60-0C.2	992	260	96.1	96.6	96.8	96.7	0.85	0.86	0.84	0.77	21960	2.35	0.75	4.8	74	2440	o.r.
2000	1SB7 507-6JA60-0A.2	990	230	95.6	96.2	96.7	96.7	0.86	0.86	0.87	0.82	19302	2.15	0.90	4.7	58	1800	o.r.
2310	1SB7 508-6JA60-0C.2	992	265	96.1	96.7	96.9	96.8	0.86	0.86	0.86	0.80	22248	2.30	0.80	4.7	80	2270	o.r.
2260	1SB7 508-6JA60-0A.2	990	255	95.9	96.4	96.9	96.8	0.86	0.86	0.86	0.82	21803	2.25	0.90	4.9	63	2240	o.r.
2500	1SB7 561-6JA60-0C.2	992	290	95.8	96.3	96.6	96.5	0.85	0.86	0.85	0.81	24089	1.90	0.60	5.5	97	2025	o.r.
2700	1SB7 562-6JA60-0C.2	992	315	96.0	96.4	96.7	96.7	0.85	0.86	0.85	0.82	26010	2.00	0.60	5.5	105	2245	o.r.
2900	1SB7 563-6JA60-0C.2	992	335	96.0	96.6	96.7	96.5	0.85	0.86	0.85	0.81	27928	2.00	0.60	5.5	113	2540	o.r.
3250	1SB7 564-6JA60-0C.2	992	375	96.1	96.6	96.8	96.6	0.85	0.86	0.86	0.81	31299	2.00	0.60	5.5	124	2485	o.r.
3450	1SB7 567-6JA60-0C.2	993	400	96.3	96.7	96.9	96.7	0.86	0.86	0.86	0.81	33189	2.00	0.60	5.5	137	2885	o.r.
3800	1SB7 568-6JA60-0C.2	993	440	96.6	96.9	97.0	96.8	0.86	0.86	0.85	0.80	36543	2.00	0.60	6.0	151	3430	o.r.
4200	1SB8 632-6JA60-0C.0	992	485	96.2	96.6	96.7	96.2	0.85	0.86	0.83	0.76	40430	2.25	0.55	5.1	193	2140	o.r.
4400	1SB8 633-6JA60-0C.0	992	500	96.2	96.7	96.8	96.4	0.85	0.87	0.85	0.80	42356	2.20	0.60	5.1	209	2370	o.r.
4850	1SB8 634-6JA60-0C.0	993	560	96.5	96.8	96.9	96.3	0.85	0.86	0.82	0.74	46641	2.40	0.60	5.4	227	2640	o.r.
5150	1SB8 637-6JA60-0C.0	993	590	96.6	96.9	96.9	96.4	0.86	0.87	0.83	0.76	49526	2.50	0.60	5.5	247	2930	o.r.
5400	1SB8 638-6JA60-0C.0	993	620	96.7	97.0	97.0	96.5	0.86	0.87	0.83	0.75	51930	2.50	0.60	5.5	264	3300	o.r.
6150	1SB8 712-6JA60-0C.0	993	700	96.8	97.2	97.3	96.9	0.85	0.87	0.85	0.79	59142	2.25	0.55	5.3	331	2520	o.r.
6700	1SB8 713-6JA60-0C.0	994	760	96.9	97.3	97.4	97.0	0.86	0.87	0.86	0.80	64366	2.30	0.55	5.4	373	2990	o.r.
7350	1SB8 714-6JA60-0C.0	995	840	97.1	97.4	97.4	96.9	0.85	0.86	0.83	0.74	70540	2.40	0.50	5.5	420	3730	o.r.
8150	1SB8 717-6JA60-0C.0	995	940	97.2	97.5	97.5	97.0	0.85	0.86	0.83	0.75	78218	2.45	0.50	5.5	474	4310	o.r.
8650	1SB8 718-6JA60-0C.0	995	960	97.2	97.6	97.7	97.4	0.88	0.89	0.87	0.83	83016	2.45	0.60	5.5	524	4370	o.r.
8-pole: $n_{sync} = 750$ rpm at 50 Hz																		
740	1SB7 452-8JA60-0A.0	739	93	93.8	94.9	95.4	95.3	0.79	0.81	0.78	0.70	9562	1.80	0.60	4.2	25	1710	o.r.
840	1SB7 453-8JA60-0A.0	739	104	94.0	95.1	95.5	95.5	0.80	0.81	0.78	0.70	10852	1.80	0.55	4.1	28	2070	o.r.
910	1SB7 454-8JA60-0A.2	740	114	94.4	95.3	95.6	95.4	0.81	0.81	0.77	0.68	11739	2.00	0.65	4.5	31	2310	o.r.
1010	1SB7 457-8JA60-0A.2	741	128	94.8	95.5	95.6	95.3	0.81	0.80	0.75	0.63	13015	2.20	0.70	4.8	35	2700	o.r.
1120	1SB7 458-8JA60-0A.2	741	140	94.7	95.5	95.7	95.5	0.81	0.81	0.76	0.65	14441	2.10	0.70	4.8	39	2750	o.r.
1250	1SB7 502-8JA60-0A.2	743	154	95.3	95.9	96.2	96.1	0.81	0.81	0.78	0.70	16082	2.15	0.85	4.3	46	2580	o.r.
1400	1SB7 503-8JA60-0A.2	742	172	95.3	96.0	96.4	96.4	0.82	0.82	0.79	0.73	18011	2.05	0.80	4.2	51	2660	o.r.
1400	1SB7 503-8JA60-0C.2	742	170	95.3	96.0	96.4	96.4	0.82	0.83	0.80	0.74	18021	2.10	0.55	4.0	65	3440	o.r.
1500	1SB7 504-8JA60-0A.2	743	180	95.5	96.1	96.5	96.5	0.81	0.83	0.81	0.74	19295	2.10	0.80	4.3	56	2900	o.r.
1520	1SB7 504-8JA60-0C.2	742	184	95.4	96.1	96.5	96.6	0.81	0.83	0.82	0.74	19567	2.10	0.55	4.0	72	4010	o.r.
1600	1SB7 507-8JA60-0A.2	744	194	95.8	96.3	96.5	96.3	0.83	0.82	0.79	0.69	20560	2.35	0.95	4.8	63	3560	o.r.
1600	1SB7 507-8JA60-0C.2	743	192	95.8	96.3	96.5	96.4	0.83	0.83	0.79	0.71	20564	2.40	0.70	4.6	80	4900	o.r.
1800	1SB7 508-8JA60-0A.2	743	215	95.8	96.4	96.7	96.7	0.83	0.83	0.81	0.74	23162	2.15	0.85	4.4	69	3520	o.r.
1800	1SB7 508-8JA60-0C.2	743	215	95.8	96.4	96.7	96.8	0.83	0.84	0.81	0.74	23164	2.25	0.60	4.3	88	5270	o.r.

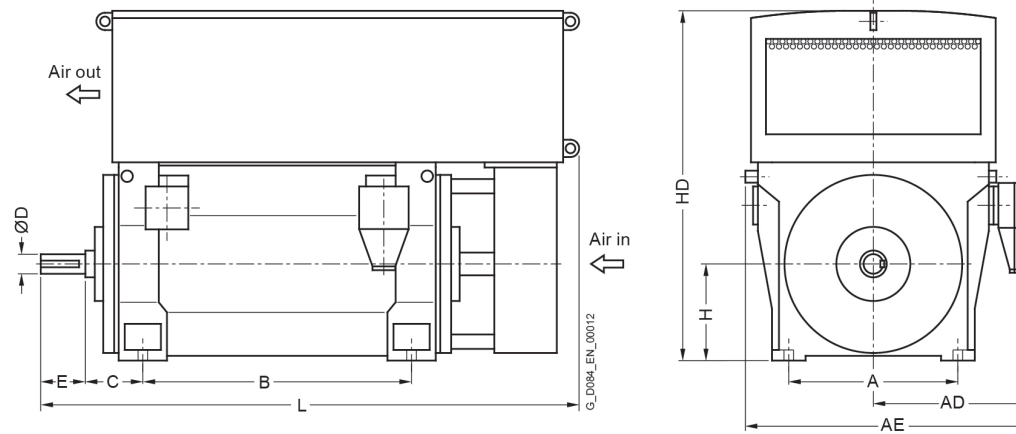
Innomotics HV M - 1SB. IC611 6000 V / 50 Hz B3 (IM 1001)																		
Rated power IEC	Article No.	Speed	Rated current I_R	Efficiency				Power factor				Torque T_R	Breakdown torque T_B/ T_R	Locked rotor torque T_{LR}/ T_R	Locked rotor current I_{LR}/ I_R	Inertia		
				5/4 load	4/4 load	3/4 load	2/4 load	5/4 load	4/4 load	3/4 load	2/4 load					motor	external	Startup max T/TR
kW		rpm	A	%	%	%	%	$\cos \varphi$	$\cos \varphi$	$\cos \varphi$	$\cos \varphi$	Nm	[-]	[-]	[-]	kgm ²	kgm ²	[-]
2050	1SB7 563-8JA60-0C.2	744	245	95.8	96.3	96.6	96.4	0.83	0.83	0.80	0.73	26327	2.25	0.65	4.9	124	3105	o.r.
2240	1SB7 564-8JA60-0C.2	744	270	96.0	96.5	96.7	96.4	0.83	0.83	0.80	0.72	28750	2.35	0.65	5.2	137	3690	o.r.
2500	1SB7 567-8JA60-0C.2	744	295	96.1	96.6	96.9	96.6	0.83	0.84	0.81	0.74	32106	2.25	0.60	5.0	150	4895	o.r.
2800	1SB7 568-8JA60-0C.2	745	335	96.4	96.8	96.9	96.6	0.83	0.83	0.79	0.71	35921	2.45	0.70	5.4	165	6355	o.r.
2900	1SB8 633-8JA60-0C.0	743	340	95.5	96.1	96.2	95.9	0.84	0.85	0.82	0.74	37272	2.05	0.45	4.4	216	3890	o.r.
3550	1SB8 634-8JA60-0C.0	744	415	95.6	96.2	96.2	95.9	0.85	0.86	0.82	0.74	45565	2.20	0.50	4.8	251	3530	o.r.
3850	1SB8 637-8JA60-0C.0	744	450	96.1	96.4	96.4	95.9	0.85	0.85	0.80	0.70	49415	2.25	0.50	4.8	291	6660	o.r.
4100	1SB8 638-8JA60-0C.0	744	480	96.2	96.6	96.5	96.0	0.85	0.85	0.81	0.72	52624	2.25	0.50	4.9	324	7800	o.r.
4300	1SB8 712-8JA60-0C.0	745	455	96.3	96.7	96.8	96.4	0.87	0.87	0.84	0.77	55117	2.35	0.60	5.0	422	6050	o.r.
4600	1SB8 713-8JA60-0C.0	745	510	96.4	96.8	96.8	96.3	0.87	0.87	0.83	0.74	58962	2.50	0.55	5.3	472	5800	o.r.
5200	1SB8 714-8JA60-0C.0	745	570	96.6	96.9	96.9	96.5	0.87	0.87	0.83	0.75	66653	2.45	0.55	5.3	540	6300	o.r.
5800	1SB8 717-8JA60-0C.0	745	630	96.7	97.1	97.1	96.8	0.87	0.88	0.85	0.78	74344	2.40	0.60	5.2	618	8230	o.r.
6150	1SB8 718-8JA60-0C.0	745	690	96.8	97.1	97.2	96.9	0.88	0.88	0.85	0.79	78830	2.45	0.65	5.4	682	8470	o.r.



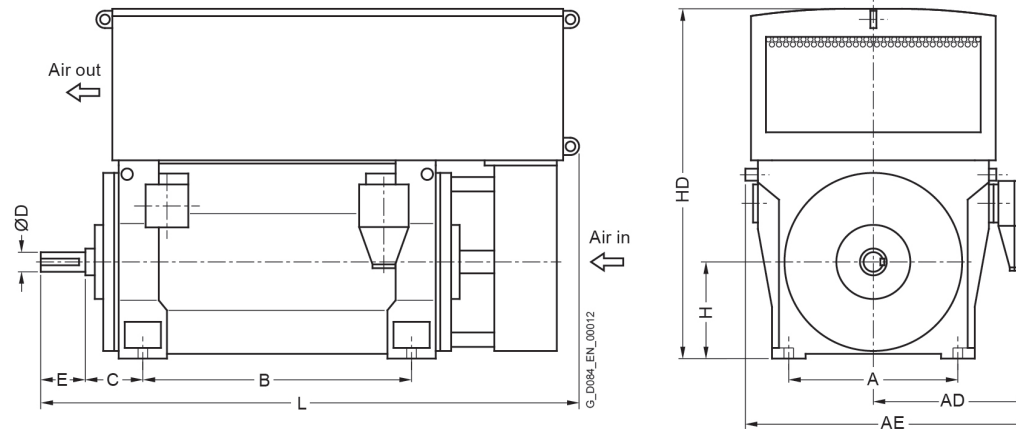
Motor type	Weight	Dimensions										
		A	AD	AE	B	C	D	E	H	HD	L	ML
	kg	mm	mm	mm	mm	mm	mm	mm	mm	mm	mm	mm
Innomotics HV M - 1SB. IC611 6000 V / 50 Hz B3 (IM 1001) - Dimension drawings												
2-pole												
1SB7 453-2JA60-0AA2	4650	850	925	1545	1180	250	95	130	450	1920	2650	200
1SB7 453-2JA60-0AC2	4550	850	925	1545	1180	475	95	130	450	1920	2880	200
1SB7 453-2JA60-0CA2	4800	850	925	1545	1180	250	95	130	450	1920	2650	200
1SB7 453-2JA60-0CC2	4700	850	925	1545	1180	475	95	130	450	1920	2880	200
1SB7 454-2JA60-0AA2	4800	850	925	1545	1180	250	95	130	450	1920	2650	200
1SB7 454-2JA60-0AC2	4700	850	925	1545	1180	475	95	130	450	1920	2880	200
1SB7 454-2JA60-0CA2	4950	850	925	1545	1180	250	95	130	450	1920	2650	200
1SB7 454-2JA60-0CC2	4850	850	925	1545	1180	475	95	130	450	1920	2880	200
1SB7 457-2JA60-0AA2	5200	850	925	1545	1400	250	95	130	450	1920	2860	200
1SB7 457-2JA60-0AC2	5100	850	925	1545	1400	475	95	130	450	1920	3090	200
1SB7 457-2JA60-0CA2	5350	850	925	1545	1400	250	95	130	450	1920	2860	200
1SB7 457-2JA60-0CC2	5250	850	925	1545	1400	475	95	130	450	1920	3090	200
1SB7 458-2JA60-0AA2	5450	850	925	1545	1400	250	95	130	450	1920	2860	200
1SB7 458-2JA60-0AC2	5300	850	925	1545	1400	475	95	130	450	1920	3090	200
1SB7 458-2JA60-0CA2	5600	850	925	1545	1400	250	95	130	450	1920	2860	200
1SB7 458-2JA60-0CC2	5500	850	925	1545	1400	475	95	130	450	1920	3090	200
1SB7 503-2JA60-0AA2	6450	950	1005	1705	1320	250	110	165	500	2230	2920	250
1SB7 503-2JA60-0AC2	6350	950	1005	1705	1320	530	120	165	500	2230	3200	250
1SB7 503-2JA60-0CA2	6600	950	1005	1705	1320	250	110	165	500	2230	2920	250
1SB7 503-2JA60-0CC2	6500	950	1005	1705	1320	530	120	165	500	2230	3200	250
1SB7 504-2JA60-0AA2	6500	950	1005	1705	1320	250	110	165	500	2230	2920	250
1SB7 504-2JA60-0AC2	6400	950	1005	1705	1320	530	120	165	500	2230	3200	250



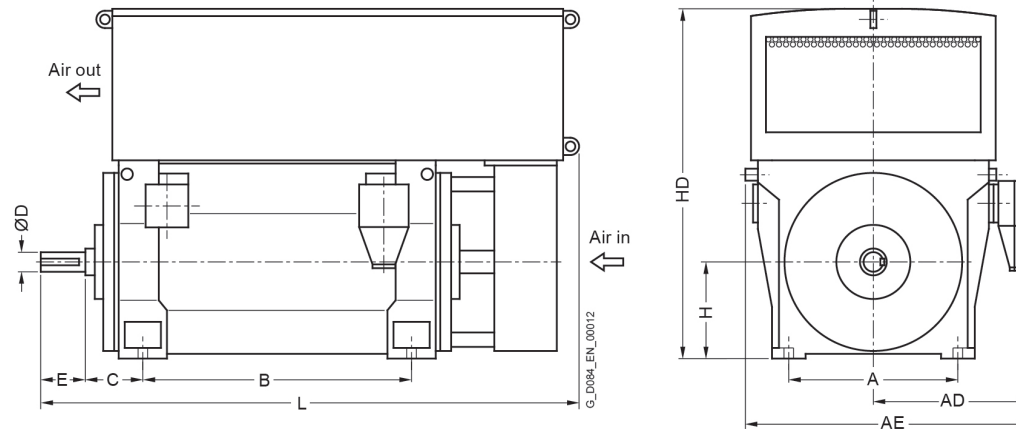
Motor type	Weight	Dimensions												
		A	AD	AE	B	C	D	E	H	HD	L	ML		
	kg	mm	mm	mm	mm	mm	mm	mm	mm	mm	mm	mm	mm	
Innomotics HV M - 1SB. IC611 6000 V / 50 Hz B3 (IM 1001) - Dimension drawings														
1SB7 504-2JA60-0CA2	6650	950	1005	1705	1320	250	110	165	500	2230	2920	250		
1SB7 504-2JA60-0CC2	6550	950	1005	1705	1320	530	120	165	500	2230	3200	250		
1SB7 507-2JA60-0AA2	7250	950	1005	1705	1500	250	110	165	500	2230	3130	250		
1SB7 507-2JA60-0AC2	7150	950	1005	1705	1500	530	120	165	500	2230	3410	250		
1SB7 507-2JA60-0CA2	7400	950	1005	1705	1500	250	110	165	500	2230	3130	250		
1SB7 507-2JA60-0CC2	7300	950	1005	1705	1500	530	120	165	500	2230	3410	250		
1SB7 508-2JA60-0AA2	7550	950	1005	1705	1500	250	110	165	500	2230	3130	250		
1SB7 508-2JA60-0AC2	7450	950	1005	1705	1500	530	120	165	500	2230	3410	250		
1SB7 508-2JA60-0CA2	7700	950	1005	1705	1500	250	110	165	500	2230	3130	250		
1SB7 508-2JA60-0CC2	7650	950	1005	1705	1500	530	120	165	500	2230	3410	250		
1SB7 562-2JA60-0CC2	8350	1060	1290	2060	1400	600	150	200	560	2350	3450	300		
1SB7 563-2JA60-0CC2	8650	1060	1290	2060	1400	600	150	200	560	2350	3450	300		
1SB7 564-2JA60-0CC2	8900	1060	1290	2060	1400	600	150	200	560	2350	3450	300		
1SB7 567-2JA60-0CC2	9800	1060	1290	2060	1600	600	150	200	560	2350	3680	300		
1SB7 568-2JA60-0CC2	10400	1060	1290	2060	1600	600	150	200	560	2350	3680	300		
1SB8 633-2JA60-0CJ0	10800	1320	1520	2520	1600	560	160	240	630	2710	3680	350		
1SB8 634-2JA60-0CJ0	11300	1320	1520	2520	1600	560	160	240	630	2710	3680	350		
1SB8 637-2JA60-0CJ0	12250	1320	1520	2520	1800	560	160	240	630	2710	3880	350		
1SB8 638-2JA60-0CJ0	12800	1320	1520	2520	1800	560	160	240	630	2710	3880	350		
1SB8 712-2JA60-0CJ0	14700	1500	1620	2720	2000	560	180	240	710	3090	4400	400		
1SB8 713-2JA60-0CJ0	15300	1500	1620	2720	2000	560	180	240	710	3090	4400	400		
1SB8 714-2JA60-0CJ0	15900	1500	1620	2720	2000	560	180	240	710	3090	4400	400		
1SB8 716-2JA60-0CJ0	17100	1500	1620	2720	2240	560	180	240	710	3090	4640	400		



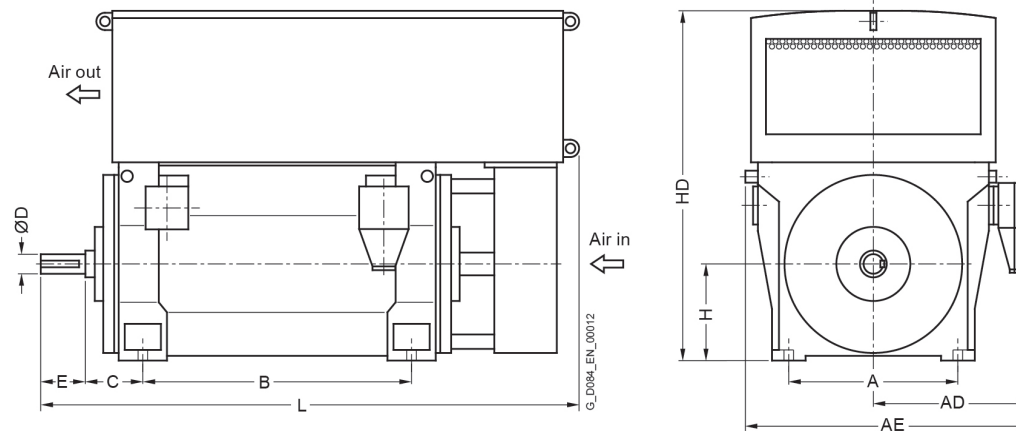
Motor type	Weight	Dimensions												
		A	AD	AE	B	C	D	E	H	HD	L	ML		
	kg	mm	mm	mm	mm	mm	mm	mm	mm	mm	mm	mm	mm	
Innomotics HV M - 1SB. IC611 6000 V / 50 Hz B3 (IM 1001) - Dimension drawings														
1SB8 717-2JA60-0CJ0	17950	1500	1620	2720	2240	560	180	240	710	3090	4640	400		
1SB8 718-2JA60-0CJ0	19000	1500	1620	2720	2240	560	180	240	710	3090	4640	400		
4-pole														
1SB7 453-4JA60-0AA2	4650	850	925	1545	1180	250	130	200	450	1920	2720	200		
1SB7 453-4JA60-0AC2	4650	850	925	1545	1180	500	130	200	450	1920	2970	200		
1SB7 453-4JA60-0CA2	4800	850	925	1545	1180	250	130	200	450	1920	2720	200		
1SB7 453-4JA60-0CC2	4800	850	925	1545	1180	500	130	200	450	1920	2970	200		
1SB7 454-4JA60-0AA0	4800	850	925	1545	1180	250	130	200	450	1920	2720	200		
1SB7 454-4JA60-0AC0	4800	850	925	1545	1180	500	130	200	450	1920	2970	200		
1SB7 454-4JA60-0CA2	5000	850	925	1545	1180	250	130	200	450	1920	2720	200		
1SB7 454-4JA60-0CC2	5000	850	925	1545	1180	500	130	200	450	1920	2970	200		
1SB7 457-4JA60-0CA2	5650	850	925	1545	1400	250	130	200	450	1920	2930	200		
1SB7 457-4JA60-0CC2	5650	850	925	1545	1400	500	130	200	450	1920	3180	200		
1SB7 457-4JA60-0AA2	5450	850	925	1545	1400	250	130	200	450	1920	2930	200		
1SB7 457-4JA60-0AC2	5450	850	925	1545	1400	500	130	200	450	1920	3180	200		
1SB7 458-4JA60-0CA2	5850	850	925	1545	1400	250	130	200	450	1920	2930	200		
1SB7 458-4JA60-0CC2	5850	850	925	1545	1400	500	130	200	450	1920	3180	200		
1SB7 458-4JA60-0AA2	5650	850	925	1545	1400	250	130	200	450	1920	2930	200		
1SB7 458-4JA60-0AC2	5650	850	925	1545	1400	500	130	200	450	1920	3180	200		
1SB7 503-4JA60-0CA2	6800	950	1005	1705	1320	315	160	240	500	2230	3060	250		
1SB7 503-4JA60-0CC2	6850	950	1005	1705	1320	560	170	240	500	2230	3300	250		
1SB7 503-4JA60-0AA2	6650	950	1005	1705	1320	315	160	240	500	2230	3060	250		
1SB7 503-4JA60-0AC2	6700	950	1005	1705	1320	560	170	240	500	2230	3300	250		



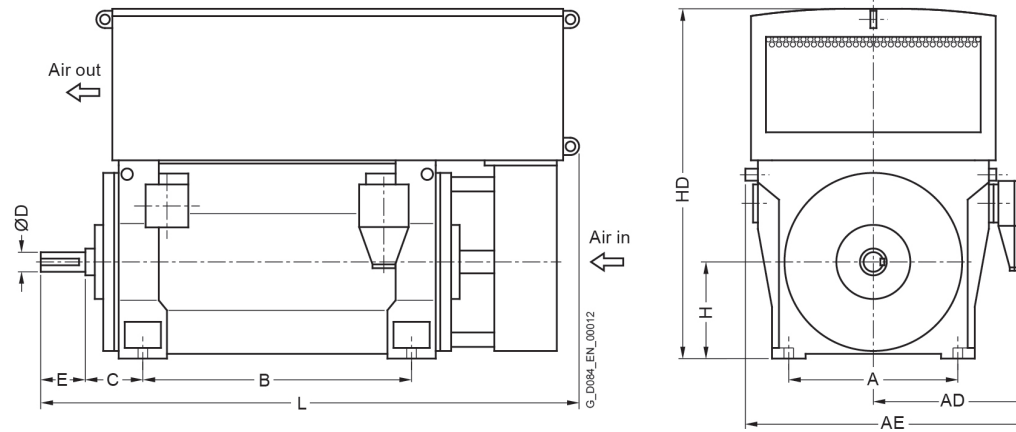
Motor type	Weight	Dimensions										
		A	AD	AE	B	C	D	E	H	HD	L	ML
	kg	mm	mm	mm	mm	mm	mm	mm	mm	mm	mm	mm
Innomotics HV M - 1SB. IC611 6000 V / 50 Hz B3 (IM 1001) - Dimension drawings												
1SB7 504-4JA60-0CA2	7100	950	1005	1705	1320	315	160	240	500	2230	3060	250
1SB7 504-4JA60-0CC2	7150	950	1005	1705	1320	560	170	240	500	2230	3300	250
1SB7 504-4JA60-0AA2	6900	950	1005	1705	1320	315	160	240	500	2230	3060	250
1SB7 504-4JA60-0AC2	6950	950	1005	1705	1320	560	170	240	500	2230	3300	250
1SB7 507-4JA60-0CA2	7800	950	1005	1705	1500	315	160	240	500	2230	3270	250
1SB7 507-4JA60-0CC2	7850	950	1005	1705	1500	560	170	240	500	2230	3510	250
1SB7 507-4JA60-0AA2	7600	950	1005	1705	1500	315	160	240	500	2230	3270	250
1SB7 507-4JA60-0AC2	7650	950	1005	1705	1500	560	170	240	500	2230	3510	250
1SB7 508-4JA60-0CA2	8200	950	1005	1705	1500	315	160	240	500	2230	3270	250
1SB7 508-4JA60-0CC2	8250	950	1005	1705	1500	560	170	240	500	2230	3510	250
1SB7 508-4JA60-0AA2	8000	950	1005	1705	1500	315	160	240	500	2230	3270	250
1SB7 508-4JA60-0AC2	8050	950	1005	1705	1500	560	170	240	500	2230	3510	250
1SB7 563-4JA60-0CA2	8650	1060	1290	2060	1400	335	190	280	560	2350	3260	300
1SB7 563-4JA60-0CC2	8700	1060	1290	2060	1400	600	190	280	560	2350	3530	300
1SB7 564-4JA60-0CA2	9150	1060	1290	2060	1400	335	190	280	560	2350	3260	300
1SB7 564-4JA60-0CC2	9150	1060	1290	2060	1400	600	190	280	560	2350	3530	300
1SB7 566-4JA60-0CA2	10000	1060	1290	2060	1600	335	190	280	560	2350	3490	300
1SB7 566-4JA60-0CC2	10000	1060	1290	2060	1600	600	190	280	560	2350	3760	300
1SB7 567-4JA60-0CA2	10500	1060	1290	2060	1600	335	190	280	560	2350	3490	300
1SB7 567-4JA60-0CC2	10550	1060	1290	2060	1600	600	190	280	560	2350	3760	300
1SB7 568-4JA60-0CA2	10900	1060	1290	2060	1600	335	190	280	560	2350	3490	300
1SB7 568-4JA60-0CC2	10950	1060	1290	2060	1600	600	190	280	560	2350	3760	300
1SB8 633-4JA60-0CG0	11500	1320	1520	2520	1600	375	200	280	630	2710	3530	350



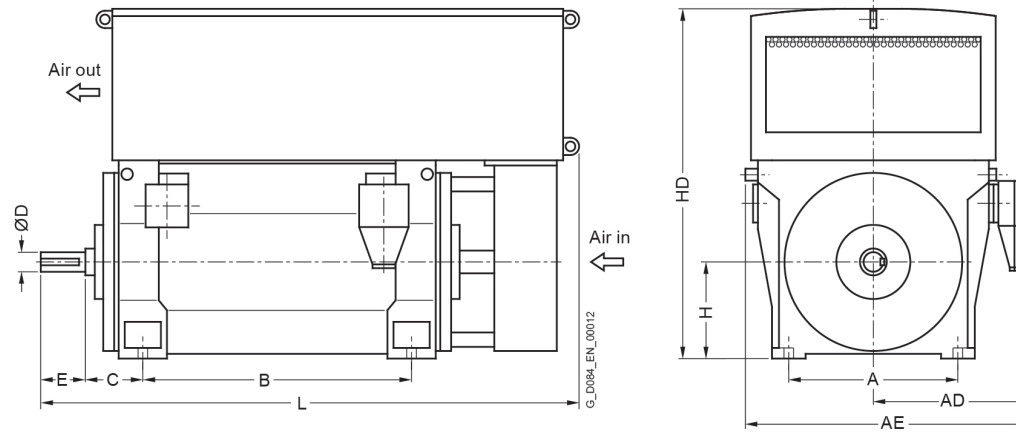
Motor type	Weight	Dimensions										
		A	AD	AE	B	C	D	E	H	HD	L	ML
	kg	mm	mm	mm	mm	mm	mm	mm	mm	mm	mm	mm
Innomotics HV M - 1SB. IC611 6000 V / 50 Hz B3 (IM 1001) - Dimension drawings												
1SB8 633-4JA60-0CJ0	11600	1320	1520	2520	1600	630	200	280	630	2710	3790	350
1SB8 634-4JA60-0CG0	11900	1320	1520	2520	1600	375	200	280	630	2710	3530	350
1SB8 634-4JA60-0CJ0	12050	1320	1520	2520	1600	630	200	280	630	2710	3790	350
1SB8 637-4JA60-0CG0	12850	1320	1520	2520	1800	375	200	280	630	2710	3730	350
1SB8 637-4JA60-0CJ0	12950	1320	1520	2520	1800	630	200	280	630	2710	3990	350
1SB8 638-4JA60-0CG0	13550	1320	1520	2520	1800	375	200	280	630	2710	3730	350
1SB8 638-4JA60-0CJ0	13650	1320	1520	2520	1800	630	200	280	630	2710	3990	350
1SB8 712-4JA60-0CG0	15700	1500	1620	2720	2000	375	220	280	710	3090	3980	400
1SB8 712-4JA60-0CJ0	15800	1500	1620	2720	2000	630	220	280	710	3090	4230	400
1SB8 713-4JA60-0CG0	16350	1500	1620	2720	2000	375	220	280	710	3090	3980	400
1SB8 713-4JA60-0CJ0	16500	1500	1620	2720	2000	630	220	280	710	3090	4230	400
1SB8 714-4JA60-0CG0	17200	1500	1620	2720	2000	375	220	280	710	3090	3980	400
1SB8 714-4JA60-0CJ0	17300	1500	1620	2720	2000	630	220	280	710	3090	4230	400
1SB8 717-4JA60-0CG0	18500	1500	1620	2720	2240	375	220	280	710	3090	4220	400
1SB8 717-4JA60-0CJ0	18600	1500	1620	2720	2240	630	220	280	710	3090	4470	400
1SB8 718-4JA60-0CG0	19100	1500	1620	2720	2240	375	220	280	710	3090	4220	400
1SB8 718-4JA60-0CJ0	19200	1500	1620	2720	2240	630	220	280	710	3090	4470	400
6-pole												
1SB7 453-6JA60-0AA2	4650	850	925	1545	1180	250	130	200	450	1920	2720	200
1SB7 453-6JA60-0AC2	4650	850	925	1545	1180	500	130	200	450	1920	2970	200
1SB7 453-6JA60-0CA0	4800	850	925	1545	1180	250	130	200	450	1920	2720	200
1SB7 453-6JA60-0CC0	4800	850	925	1545	1180	500	130	200	450	1920	2970	200
1SB7 454-6JA60-0CA2	5000	850	925	1545	1180	250	130	200	450	1920	2720	200



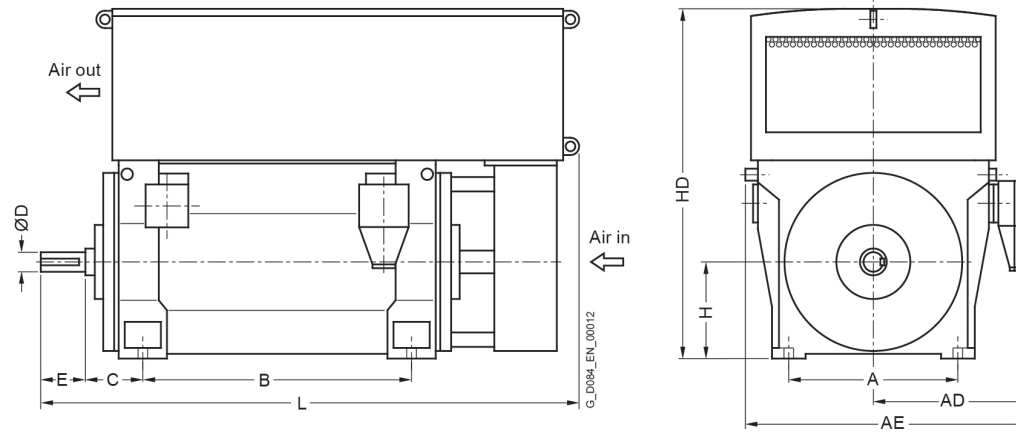
Motor type	Weight	Dimensions										
		A	AD	AE	B	C	D	E	H	HD	L	ML
	kg	mm	mm	mm	mm	mm	mm	mm	mm	mm	mm	mm
Innomotics HV M - 1SB. IC611 6000 V / 50 Hz B3 (IM 1001) - Dimension drawings												
1SB7 454-6JA60-0CC2	5050	850	925	1545	1180	500	130	200	450	1920	2970	200
1SB7 454-6JA60-0AA2	4800	850	925	1545	1180	250	130	200	450	1920	2720	200
1SB7 454-6JA60-0AC2	4800	850	925	1545	1180	500	130	200	450	1920	2970	200
1SB7 457-6JA60-0AA0	5300	850	925	1545	1400	250	130	200	450	1920	2930	200
1SB7 457-6JA60-0AC0	5350	850	925	1545	1400	500	130	200	450	1920	3180	200
1SB7 457-6JA60-0CA0	5500	850	925	1545	1400	250	130	200	450	1920	2930	200
1SB7 457-6JA60-0CC0	5500	850	925	1545	1400	500	130	200	450	1920	3180	200
1SB7 458-6JA60-0AA2	5600	850	925	1545	1400	250	130	200	450	1920	2930	200
1SB7 458-6JA60-0AC2	5600	850	925	1545	1400	500	130	200	450	1920	3180	200
1SB7 458-6JA60-0CA2	5800	850	925	1545	1400	250	130	200	450	1920	2930	200
1SB7 458-6JA60-0CC2	5800	850	925	1545	1400	500	130	200	450	1920	3180	200
1SB7 503-6JA60-0CA2	7000	950	1005	1705	1320	315	160	240	500	2230	3060	250
1SB7 503-6JA60-0CC2	7050	950	1005	1705	1320	560	170	240	500	2230	3300	250
1SB7 503-6JA60-0AA2	6800	950	1005	1705	1320	315	160	240	500	2230	3060	250
1SB7 503-6JA60-0AC2	6850	950	1005	1705	1320	560	170	240	500	2230	3300	250
1SB7 504-6JA60-0AA2	7050	950	1005	1705	1320	315	160	240	500	2230	3060	250
1SB7 504-6JA60-0AC2	7100	950	1005	1705	1320	560	170	240	500	2230	3300	250
1SB7 504-6JA60-0CA2	7250	950	1005	1705	1320	315	160	240	500	2230	3060	250
1SB7 504-6JA60-0CC2	7300	950	1005	1705	1320	560	170	240	500	2230	3300	250
1SB7 507-6JA60-0CA2	8050	950	1005	1705	1500	315	160	240	500	2230	3270	250
1SB7 507-6JA60-0CC2	8050	950	1005	1705	1500	560	170	240	500	2230	3510	250
1SB7 507-6JA60-0AA2	7750	950	1005	1705	1500	315	160	240	500	2230	3270	250
1SB7 507-6JA60-0AC2	7800	950	1005	1705	1500	560	170	240	500	2230	3510	250



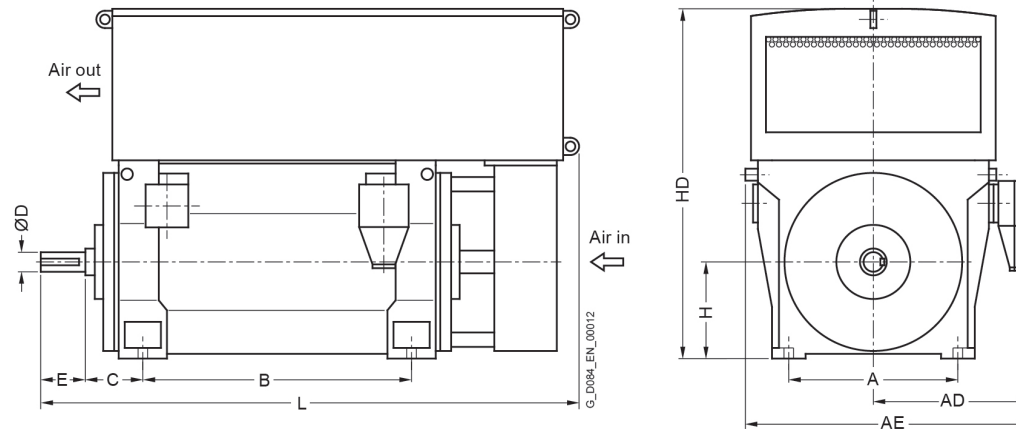
Motor type	Weight	Dimensions										
		A	AD	AE	B	C	D	E	H	HD	L	ML
	kg	mm	mm	mm	mm	mm	mm	mm	mm	mm	mm	mm
Innomotics HV M - 1SB. IC611 6000 V / 50 Hz B3 (IM 1001) - Dimension drawings												
1SB7 508-6JA60-0CA2	8350	950	1005	1705	1500	315	160	240	500	2230	3270	250
1SB7 508-6JA60-0CC2	8400	950	1005	1705	1500	560	170	240	500	2230	3510	250
1SB7 508-6JA60-0AA2	8100	950	1005	1705	1500	315	160	240	500	2230	3270	250
1SB7 508-6JA60-0AC2	8150	950	1005	1705	1500	560	170	240	500	2230	3510	250
1SB7 561-6JA60-0CA2	8600	1060	1290	2060	1400	335	190	280	560	2350	3260	300
1SB7 561-6JA60-0CC2	8600	1060	1290	2060	1400	600	190	280	560	2350	3530	300
1SB7 562-6JA60-0CA2	8900	1060	1290	2060	1400	335	190	280	560	2350	3260	300
1SB7 562-6JA60-0CC2	8950	1060	1290	2060	1400	600	190	280	560	2350	3530	300
1SB7 563-6JA60-0CA2	9200	1060	1290	2060	1400	335	190	280	560	2350	3260	300
1SB7 563-6JA60-0CC2	9250	1060	1290	2060	1400	600	190	280	560	2350	3530	300
1SB7 564-6JA60-0CA2	9600	1060	1290	2060	1400	335	190	280	560	2350	3260	300
1SB7 564-6JA60-0CC2	9650	1060	1290	2060	1400	600	190	280	560	2350	3530	300
1SB7 567-6JA60-0CA2	10450	1060	1290	2060	1600	335	190	280	560	2350	3490	300
1SB7 567-6JA60-0CC2	10450	1060	1290	2060	1600	600	190	280	560	2350	3760	300
1SB7 568-6JA60-0CA2	11050	1060	1290	2060	1600	335	190	280	560	2350	3490	300
1SB7 568-6JA60-0CC2	11100	1060	1290	2060	1600	600	190	280	560	2350	3760	300
1SB8 632-6JA60-0CG0	11550	1320	1520	2520	1600	375	200	280	630	2710	3530	350
1SB8 632-6JA60-0CJ0	11600	1320	1520	2520	1600	630	200	280	630	2710	3790	350
1SB8 633-6JA60-0CC0	12000	1320	1520	2520	1600	375	200	280	630	2710	3530	350
1SB8 633-6JA60-0CJ0	12050	1320	1520	2520	1600	630	200	280	630	2710	3790	350
1SB8 634-6JA60-0CG0	12500	1320	1520	2520	1600	375	200	280	630	2710	3530	350
1SB8 634-6JA60-0CJ0	12600	1320	1520	2520	1600	630	200	280	630	2710	3790	350
1SB8 637-6JA60-0CG0	13350	1320	1520	2520	1800	375	200	280	630	2710	3730	350



Motor type	Weight	Dimensions										
		A	AD	AE	B	C	D	E	H	HD	L	ML
	kg	mm	mm	mm	mm	mm	mm	mm	mm	mm	mm	mm
Innomotics HV M - 1SB. IC611 6000 V / 50 Hz B3 (IM 1001) - Dimension drawings												
1SB8 637-6JA60-0CJ0	13400	1320	1520	2520	1800	630	200	280	630	2710	3990	350
1SB8 638-6JA60-0CG0	13900	1320	1520	2520	1800	375	200	280	630	2710	3730	350
1SB8 638-6JA60-0CJ0	13950	1320	1520	2520	1800	630	200	280	630	2710	3990	350
1SB8 712-6JA60-0CG0	15600	1500	1620	2720	2000	375	220	280	710	3090	3980	400
1SB8 712-6JA60-0CJ0	15700	1500	1620	2720	2000	630	220	280	710	3090	4230	400
1SB8 713-6JA60-0CG0	16550	1500	1620	2720	2000	375	220	280	710	3090	3980	400
1SB8 713-6JA60-0CJ0	16650	1500	1620	2720	2000	630	220	280	710	3090	4230	400
1SB8 714-6JA60-0CG0	17550	1500	1620	2720	2000	375	220	280	710	3090	3980	400
1SB8 714-6JA60-0CJ0	17700	1500	1620	2720	2000	630	220	280	710	3090	4230	400
1SB8 717-6JA60-0CG0	19200	1500	1620	2720	2240	375	220	280	710	3090	4220	400
1SB8 717-6JA60-0CJ0	19350	1500	1620	2720	2240	630	220	280	710	3090	4470	400
1SB8 718-6JA60-0CG0	20250	1500	1620	2720	2240	375	220	280	710	3090	4220	400
1SB8 718-6JA60-0CJ0	20350	1500	1620	2720	2240	630	220	280	710	3090	4470	400
8-pole												
1SB7 452-8JA60-0AA0	4650	850	925	1545	1180	250	130	200	450	1920	2720	200
1SB7 452-8JA60-0AC0	4650	850	925	1545	1180	500	130	200	450	1920	2970	200
1SB7 453-8JA60-0AA0	4850	850	925	1545	1180	250	130	200	450	1920	2720	200
1SB7 453-8JA60-0AC0	4850	850	925	1545	1180	500	130	200	450	1920	2970	200
1SB7 454-8JA60-0AA2	5100	850	925	1545	1180	250	130	200	450	1920	2720	200
1SB7 454-8JA60-0AC2	5100	850	925	1545	1180	500	130	200	450	1920	2970	200
1SB7 457-8JA60-0AA2	5600	850	925	1545	1400	250	130	200	450	1920	2930	200
1SB7 457-8JA60-0AC2	5600	850	925	1545	1400	500	130	200	450	1920	3180	200
1SB7 458-8JA60-0AA2	5850	850	925	1545	1400	250	130	200	450	1920	2930	200



Motor type	Weight	Dimensions												
		A	AD	AE	B	C	D	E	H	HD	L	ML		
	kg	mm	mm	mm	mm	mm	mm	mm	mm	mm	mm	mm	mm	
Innomotics HV M - 1SB. IC611 6000 V / 50 Hz B3 (IM 1001) - Dimension drawings														
1SB7 458-8JA60-0AC2	5850	850	925	1545	1400	500	130	200	450	1920	3180	200		
1SB7 502-8JA60-0AA2	6550	950	1005	1705	1320	315	160	240	500	2230	3060	250		
1SB7 502-8JA60-0AC2	6550	950	1005	1705	1320	560	170	240	500	2230	3300	250		
1SB7 503-8JA60-0AA2	6800	950	1005	1705	1320	315	160	240	500	2230	3060	250		
1SB7 503-8JA60-0AC2	6800	950	1005	1705	1320	560	170	240	500	2230	3300	250		
1SB7 503-8JA60-0CA2	7000	950	1005	1705	1320	315	160	240	500	2230	3060	250		
1SB7 503-8JA60-0CC2	7050	950	1005	1705	1320	560	170	240	500	2230	3300	250		
1SB7 504-8JA60-0AA2	7100	950	1005	1705	1320	315	160	240	500	2230	3060	250		
1SB7 504-8JA60-0AC2	7100	950	1005	1705	1320	560	170	240	500	2230	3300	250		
1SB7 504-8JA60-0CA2	7350	950	1005	1705	1320	315	160	240	500	2230	3060	250		
1SB7 504-8JA60-0CC2	7350	950	1005	1705	1320	560	170	240	500	2230	3300	250		
1SB7 507-8JA60-0AA2	7800	950	1005	1705	1500	315	160	240	500	2230	3270	250		
1SB7 507-8JA60-0AC2	7800	950	1005	1705	1500	560	170	240	500	2230	3510	250		
1SB7 507-8JA60-0CA2	8050	950	1005	1705	1500	315	160	240	500	2230	3270	250		
1SB7 507-8JA60-0CC2	8050	950	1005	1705	1500	560	170	240	500	2230	3510	250		
1SB7 508-8JA60-0AA2	8150	950	1005	1705	1500	315	160	240	500	2230	3270	250		
1SB7 508-8JA60-0AC2	8150	950	1005	1705	1500	560	170	240	500	2230	3510	250		
1SB7 508-8JA60-0CA2	8400	950	1005	1705	1500	315	160	240	500	2230	3270	250		
1SB7 508-8JA60-0CC2	8450	950	1005	1705	1500	560	170	240	500	2230	3510	250		
1SB7 563-8JA60-0CA2	8900	1060	1075	1845	1400	335	190	280	560	2350	3260	300		
1SB7 563-8JA60-0CC2	8950	1060	1075	1845	1400	600	190	280	560	2350	3530	300		
1SB7 564-8JA60-0CA2	9350	1060	1075	1845	1400	335	190	280	560	2350	3260	300		
1SB7 564-8JA60-0CC2	9400	1060	1075	1845	1400	600	190	280	560	2350	3530	300		



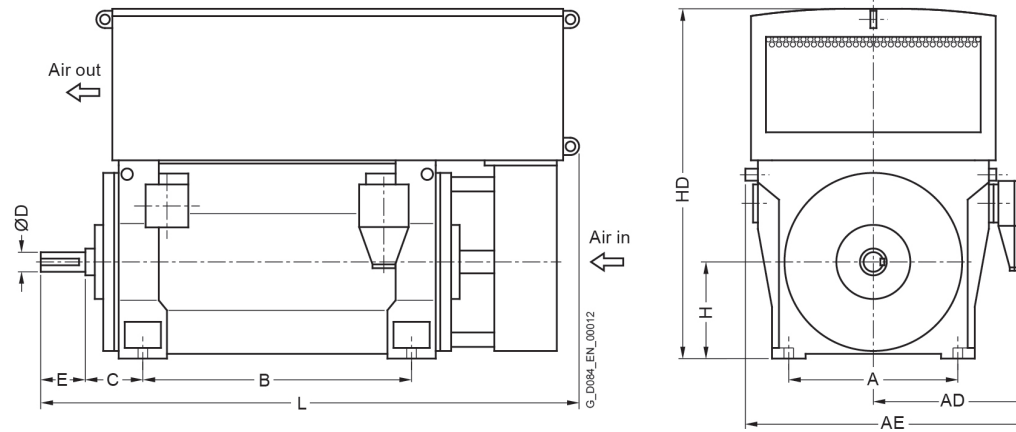
Motor type	Weight	Dimensions										
		A	AD	AE	B	C	D	E	H	HD	L	ML
	kg	mm	mm	mm	mm	mm	mm	mm	mm	mm	mm	mm
Innomotics HV M - 1SB. IC611 6000 V / 50 Hz B3 (IM 1001) - Dimension drawings												
1SB7 567-8JA60-0CA2	10250	1060	1075	1845	1600	335	190	280	560	2350	3490	300
1SB7 567-8JA60-0CC2	10300	1060	1075	1845	1600	600	190	280	560	2350	3760	300
1SB7 568-8JA60-0CA2	10800	1060	1075	1845	1600	335	190	280	560	2350	3490	300
1SB7 568-8JA60-0CC2	10850	1060	1075	1845	1600	600	190	280	560	2350	3760	300
1SB8 633-8JA60-0CG0	10800	1320	1520	2520	1600	375	200	280	630	2570	3530	350
1SB8 633-8JA60-0CJ0	10850	1320	1520	2520	1600	630	200	280	630	2570	3790	350
1SB8 634-8JA60-0CG0	11550	1320	1520	2520	1600	375	200	280	630	2570	3530	350
1SB8 634-8JA60-0CJ0	11600	1320	1520	2520	1600	630	200	280	630	2570	3790	350
1SB8 637-8JA60-0CG0	12800	1320	1520	2520	1800	375	200	280	630	2570	3730	350
1SB8 637-8JA60-0CJ0	12850	1320	1520	2520	1800	630	200	280	630	2570	3990	350
1SB8 638-8JA60-0CG0	13550	1320	1520	2520	1800	375	200	280	630	2570	3730	350
1SB8 638-8JA60-0CJ0	13600	1320	1520	2520	1800	630	200	280	630	2570	3990	350
1SB8 712-8JA60-0CG0	15150	1500	1620	2720	2000	375	220	280	710	3090	3980	400
1SB8 712-8JA60-0CJ0	15300	1500	1620	2720	2000	630	220	280	710	3090	4230	400
1SB8 713-8JA60-0CG0	15850	1500	1620	2720	2000	375	220	280	710	3090	3980	400
1SB8 713-8JA60-0CJ0	16050	1500	1620	2720	2000	630	220	280	710	3090	4230	400
1SB8 714-8JA60-0CG0	17000	1500	1620	2720	2000	375	220	280	710	3090	3980	400
1SB8 714-8JA60-0CJ0	17200	1500	1620	2720	2000	630	220	280	710	3090	4230	400
1SB8 717-8JA60-0CG0	18750	1500	1620	2720	2240	375	220	280	710	3090	4220	400
1SB8 717-8JA60-0CJ0	18950	1500	1620	2720	2240	630	220	280	710	3090	4470	400
1SB8 718-8JA60-0CG0	19800	1500	1620	2720	2240	375	220	280	710	3090	4220	400
1SB8 718-8JA60-0CJ0	19950	1500	1620	2720	2240	630	220	280	710	3090	4470	400

Innomotics HV M - 1SB. IC611 6600 V / 60 Hz B3 (IM 1001)																		
Rated power IEC	Article No.	Speed	Rated current I_R	Efficiency				Power factor				Torque T_R	Breakdown torque T_B/ T_R	Locked torque T_{LR}/ T_R	Locked rotor current I_{LR}/ I_R	Inertia		
				5/4 load	4/4 load	3/4 load	2/4 load	5/4 load	4/4 load	3/4 load	2/4 load					motor	external	Startup max T/TR
kW		rpm	A	%	%	%	%	cos φ	cos φ	cos φ	cos φ	Nm	[-]	[-]	[-]	kgm ²	kgm ²	[-]
2-pole: $n_{sync} = 3600$ rpm at 60 Hz																		
1600	1SB7 453-2JA10-0A.0	3578	168	95.5	95.8	95.5	94.3	0.86	0.87	0.84	0.78	4270	2.45	0.50	5.9	10	20	o.r.
1600	1SB7 453-2JA10-0C.0	3579	164	95.5	95.8	95.4	94.3	0.88	0.89	0.88	0.84	4269	2.50	0.60	5.8	14	95	o.r.
1750	1SB7 454-2JA10-0A.0	3578	182	95.6	96.0	95.8	94.9	0.87	0.88	0.87	0.83	4671	2.45	0.55	5.9	11	20	o.r.
1740	1SB7 454-2JA10-0C.0	3579	176	95.6	95.9	95.6	94.5	0.89	0.90	0.89	0.86	4643	2.65	0.65	6.0	15	95	o.r.
1950	1SB7 457-2JA10-0A.0	3580	200	95.8	96.1	95.8	94.8	0.87	0.88	0.85	0.79	5201	2.65	0.55	6.0	12	25	o.r.
1950	1SB7 457-2JA10-0C.0	3580	198	95.8	96.1	95.8	94.7	0.89	0.90	0.89	0.86	5201	2.65	0.65	6.0	16	100	o.r.
2100	1SB7 458-2JA10-0A.0	3580	210	96.0	96.3	96.1	95.2	0.89	0.90	0.88	0.84	5602	2.80	0.65	6.2	13	25	o.r.
2100	1SB7 458-2JA10-0C.0	3580	210	95.9	96.3	96.1	95.2	0.90	0.91	0.91	0.88	5602	2.80	0.70	6.0	17	105	o.r.
2300	1SB7 502-2JA10-0C.0	3576	240	95.8	96.0	95.9	95.2	0.87	0.88	0.87	0.82	6142	2.35	0.65	4.6	18	70	o.r.
2500	1SB7 503-2JA10-0C.0	3579	255	96.1	96.3	96.2	95.4	0.88	0.89	0.88	0.83	6670	2.70	0.70	5.3	20	74	o.r.
2600	1SB7 504-2JA10-0C.0	3580	265	96.2	96.3	96.2	95.4	0.88	0.89	0.88	0.81	6935	2.80	0.80	5.5	21	76	o.r.
2900	1SB7 507-2JA10-0C.0	3581	290	96.4	96.6	96.5	95.8	0.90	0.90	0.89	0.85	7733	2.85	0.80	5.8	24	82	o.r.
3100	1SB7 508-2JA10-0C.0	3582	310	96.6	96.8	96.7	96.1	0.91	0.91	0.91	0.87	8264	2.85	0.65	5.8	27	92	o.r.
3670	1SB7 562-2JA10-0CC0	3584	375	96.0	96.1	95.7	94.7	0.87	0.89	0.88	0.84	9778	2.45	0.60	5.7	41	175	o.r.
3810	1SB7 563-2JA10-0CC0	3585	385	96.1	96.2	95.9	94.9	0.89	0.90	0.89	0.86	10149	2.70	0.70	6.1	44	185	o.r.
4580	1SB7 564-2JA10-0CC0	3584	470	95.9	96.0	95.6	94.5	0.88	0.89	0.88	0.85	12203	2.50	0.60	5.7	47	175	o.r.
4840	1SB7 567-2JA10-0CC0	3585	490	96.1	96.2	95.8	94.7	0.90	0.90	0.90	0.86	12892	2.80	0.65	6.0	52	185	o.r.
5080	1SB7 568-2JA10-0CC0	3588	510	96.3	96.3	95.8	94.6	0.90	0.90	0.88	0.84	13520	3.20	0.75	6.8	58	210	o.r.
5650	1SB8 632-2JA10-0CJ0	3581	580	95.9	96.1	95.5	94.0	0.86	0.89	0.89	0.88	15067	2.00	0.50	4.9	75	150	o.r.
6150	1SB8 633-2JA10-0CJ0	3581	630	96.1	96.3	95.8	94.4	0.87	0.89	0.90	0.89	16400	2.00	0.50	4.9	82	150	o.r.
6650	1SB8 634-2JA10-0CJ0	3583	670	96.4	96.5	96.0	94.7	0.88	0.90	0.91	0.90	17723	2.15	0.55	5.2	90	150	o.r.
7400	1SB8 637-2JA10-0CJ0	3583	740	96.6	96.7	96.2	95.0	0.89	0.91	0.92	0.90	19722	2.30	0.60	5.5	99	150	o.r.
7900	1SB8 638-2JA10-0CJ0	3586	780	96.8	96.9	96.4	95.1	0.91	0.92	0.92	0.90	21037	2.55	0.65	6.0	107	160	o.r.
8700	1SB8 712-2JA10-0CJ0	3588	880	96.4	96.3	95.6	94.1	0.88	0.90	0.89	0.87	23155	2.15	0.55	5.2	149	90	o.r.
9150	1SB8 713-2JA10-0CJ0	3586	920	96.5	96.4	95.9	94.5	0.87	0.90	0.90	0.90	24366	2.00	0.50	4.8	160	80	o.r.
9900	1SB8 714-2JA10-0CJ0	3588	990	96.7	96.6	96.0	94.7	0.90	0.91	0.91	0.89	26348	2.35	0.60	5.6	173	70	o.r.
10500	1SB8 716-2JA10-0CJ0	3590	1040	96.8	96.6	95.9	94.4	0.90	0.91	0.89	0.85	27930	2.55	0.60	6.2	184	100	o.r.
11250	1SB8 717-2JA10-0CJ0	3589	1120	97.0	96.8	96.3	95.0	0.90	0.91	0.91	0.89	29933	2.30	0.50	5.6	199	100	o.r.
4-pole: $n_{sync} = 1800$ rpm at 60 Hz																		
1600	1SB7 453-4JA10-0A.0	1783	168	95.2	95.7	95.7	95.1	0.87	0.87	0.84	0.77	8569	2.40	0.65	5.5	17	175	o.r.
1680	1SB7 453-4JA10-0C.0	1784	176	95.3	95.8	95.9	95.3	0.86	0.87	0.86	0.81	8993	2.20	0.45	5.0	23	285	o.r.
1830	1SB7 454-4JA10-0C.0	1786	192	95.6	96.0	96.0	95.3	0.86	0.87	0.83	0.75	9785	2.45	0.50	5.3	25	340	o.r.
1710	1SB7 454-4JA10-0A.0	1783	180	95.4	95.9	95.8	95.2	0.87	0.87	0.84	0.76	9158	2.55	0.70	6.0	19	215	o.r.
2100	1SB7 457-4JA10-0C.0	1787	215	95.9	96.3	96.3	95.7	0.88	0.89	0.86	0.80	11222	2.60	0.60	5.8	30	425	o.r.
2000	1SB7 457-4JA10-0A.0	1783	205	95.7	96.2	96.2	95.7	0.88	0.89	0.87	0.81	10711	2.55	0.70	6.0	22	240	o.r.
2250	1SB7 458-4JA10-0C.0	1788	230	96.1	96.5	96.4	95.8	0.88	0.89	0.85	0.78	12017	2.80	0.65	6.0	32	475	o.r.

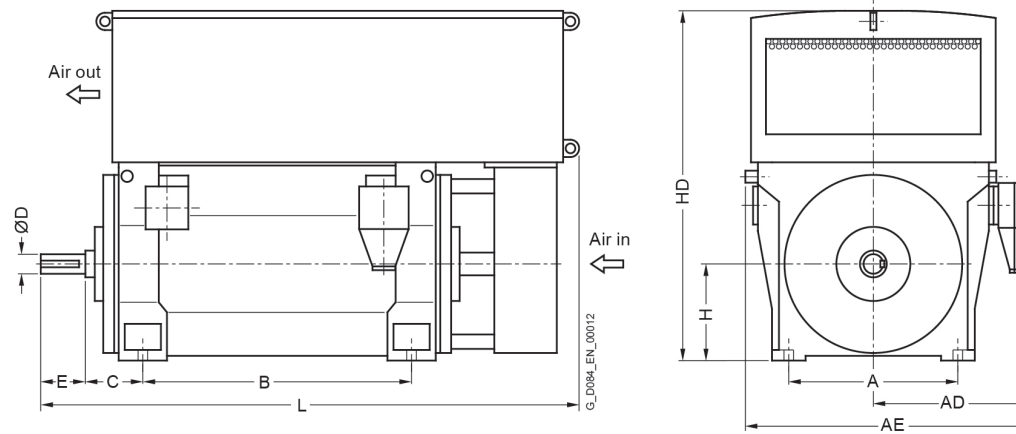
Innomotics HV M - 1SB. IC611 6600 V / 60 Hz B3 (IM 1001)																		
Rated power IEC	Article No.	Speed	Rated current I_R	Efficiency				Power factor				Torque T_R	Breakdown torque T_B/ T_R	Locked rotor torque T_{LR}/ T_R	Locked rotor current I_{LR}/ I_R	Inertia		
				5/4 load	4/4 load	3/4 load	2/4 load	5/4 load	4/4 load	3/4 load	2/4 load					motor	external	Startup max T/TR
kW		rpm	A	%	%	%	%	$\cos \varphi$	$\cos \varphi$	$\cos \varphi$	$\cos \varphi$	Nm	[-]	[-]	[-]	kgm ²	kgm ²	[-]
2150	1SB7 458-4JA10-0A.0	1785	220	95.9	96.3	96.3	95.8	0.88	0.89	0.86	0.80	11502	2.70	0.75	6.0	24	270	o.r.
2600	1SB7 503-4JA10-0A.0	1786	270	96.1	96.4	96.5	95.8	0.87	0.88	0.86	0.80	13902	2.50	0.75	5.5	37	340	o.r.
2650	1SB7 503-4JA10-0C.0	1788	270	96.1	96.4	96.5	95.9	0.87	0.89	0.87	0.82	14153	2.45	0.55	5.0	45	355	o.r.
2850	1SB7 504-4JA10-0A.0	1787	295	96.3	96.5	96.6	95.9	0.88	0.88	0.85	0.79	15230	2.75	0.85	5.9	40	295	o.r.
2900	1SB7 504-4JA10-0C.0	1789	295	96.4	96.6	96.6	95.9	0.88	0.89	0.86	0.81	15480	2.50	0.55	5.2	50	485	o.r.
3150	1SB7 507-4JA10-0C.0	1788	315	96.5	96.8	96.8	96.3	0.90	0.90	0.89	0.86	16823	2.55	0.65	5.2	56	405	o.r.
3100	1SB7 507-4JA10-0A.0	1785	310	96.2	96.7	96.8	96.4	0.88	0.90	0.89	0.87	16584	2.45	0.80	5.3	46	255	o.r.
3350	1SB7 508-4JA10-0A.0	1786	335	96.4	96.8	96.9	96.5	0.89	0.90	0.89	0.86	17912	2.50	0.80	5.7	50	270	o.r.
3400	1SB7 508-4JA10-0C.0	1788	340	96.6	96.9	97.0	96.5	0.90	0.90	0.90	0.87	18159	2.45	0.60	5.2	62	545	o.r.
3800	1SB7 563-4JA10-0C.0	1790	385	96.6	96.9	97.0	96.6	0.88	0.89	0.88	0.85	20272	2.25	0.65	5.4	80	515	o.r.
4100	1SB7 564-4JA10-0C.0	1789	415	96.7	97.0	97.2	96.9	0.88	0.89	0.90	0.88	21885	2.05	0.55	4.9	90	595	o.r.
4750	1SB7 566-4JA10-0C.0	1791	475	97.0	97.2	97.3	97.0	0.89	0.90	0.89	0.87	25326	2.30	0.65	5.6	100	625	o.r.
5200	1SB7 567-4JA10-0C.0	1791	519	97.1	97.3	97.5	97.1	0.89	0.90	0.90	0.87	27725	2.30	0.60	5.5	109	695	o.r.
5700	1SB7 568-4JA10-0C.0	1791	569	97.2	97.4	97.5	97.2	0.89	0.90	0.89	0.86	30391	2.40	0.65	5.9	119	740	o.r.
6300	1SB8 633-4JA10-0C.0	1791	640	96.6	96.8	96.5	95.6	0.88	0.89	0.88	0.84	33590	2.45	0.55	5.8	151	380	o.r.
7100	1SB8 634-4JA10-0C.0	1791	720	96.8	96.9	96.7	95.9	0.88	0.89	0.88	0.84	37856	2.45	0.55	5.8	166	400	o.r.
7500	1SB8 637-4JA10-0C.0	1792	750	96.9	97.0	96.8	96.1	0.90	0.90	0.90	0.86	39966	2.55	0.65	6.0	182	450	o.r.
8350	1SB8 638-4JA10-0C.0	1792	830	97.0	97.2	97.0	96.3	0.89	0.90	0.89	0.85	44496	2.55	0.60	6.0	197	500	o.r.
9050	1SB8 712-4JA10-0C.0	1791	900	97.0	97.2	97.1	96.4	0.89	0.90	0.90	0.87	48253	2.35	0.50	5.7	259	440	o.r.
9600	1SB8 713-4JA10-0C.0	1792	950	97.1	97.3	97.2	96.5	0.89	0.91	0.90	0.88	51157	2.50	0.55	6.0	284	500	o.r.
10400	1SB8 714-4JA10-0C.0	1792	1020	97.3	97.4	97.3	96.6	0.90	0.91	0.91	0.88	55420	2.60	0.55	6.0	312	550	o.r.
11550	1SB8 717-4JA10-0C.0	1792	1140	97.3	97.5	97.4	96.8	0.90	0.91	0.91	0.89	61548	2.60	0.55	6.0	346	580	o.r.
11950	1SB8 718-4JA10-0C.0	1793	1200	97.4	97.5	97.4	96.7	0.89	0.90	0.89	0.86	63644	2.60	0.50	6.0	361	700	o.r.
6-pole: n_{sync} = 1200 rpm at 60 Hz																		
1220	1SB7 452-6JA10-0A.0	1189	136	94.9	95.5	95.5	95.0	0.82	0.82	0.75	0.63	9798	2.40	0.80	5.5	20	530	o.r.
1350	1SB7 453-6JA10-0A.0	1189	148	95.2	95.7	95.8	95.3	0.83	0.83	0.77	0.65	10842	2.40	0.80	5.5	22	610	o.r.
1370	1SB7 453-6JA10-0C.0	1189	148	95.2	95.7	95.9	95.5	0.84	0.85	0.82	0.74	11003	2.35	0.65	5.3	30	850	o.r.
1420	1SB7 454-6JA10-0A.0	1189	152	95.2	95.8	96.0	95.7	0.84	0.85	0.82	0.75	11405	2.25	0.80	5.5	24	620	o.r.
1500	1SB7 454-6JA10-0C.0	1189	162	95.2	95.8	96.0	95.6	0.85	0.85	0.82	0.75	12047	2.35	0.65	5.3	33	880	o.r.
1600	1SB7 457-6JA10-0A.0	1190	172	95.4	96.0	96.1	95.7	0.84	0.85	0.80	0.70	12839	2.45	0.80	5.5	28	815	o.r.
1620	1SB7 457-6JA10-0C.0	1190	172	95.4	96.0	96.1	95.8	0.85	0.86	0.83	0.76	13000	2.40	0.65	5.3	36	1030	o.r.
1750	1SB7 458-6JA10-0A.0	1190	188	95.7	96.2	96.3	96.0	0.85	0.85	0.81	0.73	14043	2.45	0.85	5.7	31	925	o.r.
1760	1SB7 458-6JA10-0C.0	1191	186	95.7	96.2	96.3	95.9	0.86	0.86	0.83	0.75	14111	2.60	0.75	5.5	41	1120	o.r.
1950	1SB7 502-6JA10-0A.0	1191	215	95.7	96.1	96.2	95.8	0.83	0.83	0.79	0.70	15635	2.45	0.90	5.1	42	1180	o.r.
2000	1SB7 502-6JA10-0C.0	1192	210	95.8	96.2	96.4	96.0	0.84	0.86	0.83	0.76	16022	2.30	0.70	4.7	54	1250	o.r.
2170	1SB7 503-6JA10-0A.0	1191	240	95.8	96.2	96.4	95.9	0.83	0.83	0.79	0.70	17399	2.50	0.95	5.2	46	1300	o.r.
2240	1SB7 503-6JA10-0C.0	1192	235	95.9	96.3	96.5	96.1	0.84	0.86	0.83	0.76	17945	2.35	0.70	4.7	60	1370	o.r.

Innomotics HV M - 1SB. IC611 6600 V / 60 Hz B3 (IM 1001)																		
Rated power IEC	Article No.	Speed	Rated current I_R	Efficiency				Power factor				Torque T_R	Breakdown torque T_B/ T_R	Locked torque T_{LR}/ T_R	Locked rotor current I_{LR}/ I_R	Inertia		
				5/4 load	4/4 load	3/4 load	2/4 load	5/4 load	4/4 load	3/4 load	2/4 load					motor	external	Startup max T/TR
kW		rpm	A	%	%	%	%	cos φ	cos φ	cos φ	cos φ	Nm	[-]	[-]	[-]	kgm ²	kgm ²	[-]
2320	1SB7 504-6JA10-0A.0	1192	255	96.1	96.3	96.4	95.9	0.82	0.82	0.76	0.65	18586	2.75	1.05	5.6	51	1430	o.r.
2420	1SB7 504-6JA10-0C.0	1193	260	96.2	96.5	96.6	96.1	0.84	0.84	0.81	0.73	19371	2.55	0.80	5.1	66	1500	o.r.
2540	1SB7 507-6JA10-0A.0	1192	275	96.2	96.5	96.6	96.1	0.83	0.83	0.77	0.67	20348	2.75	1.00	5.8	58	1600	o.r.
2640	1SB7 507-6JA10-0C.0	1193	285	96.3	96.6	96.7	96.3	0.84	0.84	0.82	0.73	21132	2.50	0.75	5.1	74	1650	o.r.
2750	1SB7 508-6JA10-0A.0	1191	290	96.2	96.6	96.8	96.5	0.85	0.86	0.84	0.77	22049	2.45	0.95	5.4	63	1780	o.r.
3000	1SB7 561-6JA10-0C.0	1193	315	96.1	96.5	96.6	96.1	0.85	0.86	0.84	0.78	24013	2.40	0.65	5.4	96	990	o.r.
3550	1SB7 563-6JA10-0C.0	1193	375	96.4	96.8	96.8	96.4	0.85	0.86	0.84	0.78	28416	2.50	0.65	5.6	112	1230	o.r.
4000	1SB7 567-6JA10-0C.0	1193	415	96.6	97.0	97.0	96.6	0.86	0.87	0.85	0.81	32018	2.60	0.70	5.8	134	1650	o.r.
4500	1SB7 568-6JA10-0C.0	1194	465	96.8	97.1	97.2	96.8	0.87	0.87	0.85	0.80	35990	2.65	0.70	5.9	150	1880	o.r.
4900	1SB8 632-6JA10-0C.0	1193	520	96.4	96.6	96.4	95.5	0.85	0.86	0.81	0.73	39222	2.50	0.55	5.5	193	1280	o.r.
5300	1SB8 633-6JA10-0C.0	1193	560	96.5	96.7	96.6	95.8	0.85	0.86	0.82	0.74	42424	2.45	0.55	5.5	209	1360	o.r.
5700	1SB8 634-6JA10-0C.0	1193	590	96.6	96.8	96.7	95.9	0.86	0.87	0.83	0.76	45625	2.45	0.55	5.5	227	1850	o.r.
6200	1SB8 637-6JA10-0C.0	1193	640	96.7	96.9	96.8	96.1	0.86	0.87	0.84	0.77	49628	2.45	0.55	5.5	247	1650	o.r.
6450	1SB8 638-6JA10-0C.0	1193	670	96.8	97.0	96.8	96.1	0.86	0.87	0.83	0.76	51629	2.50	0.55	5.5	264	1880	o.r.
7350	1SB8 712-6JA10-0C.0	1194	760	97.0	97.2	97.1	96.5	0.86	0.87	0.84	0.78	58783	2.40	0.55	5.5	331	1470	o.r.
8100	1SB8 713-6JA10-0C.0	1194	840	97.1	97.3	97.3	96.8	0.86	0.87	0.86	0.81	64782	2.25	0.50	5.5	374	1670	o.r.
8700	1SB8 714-6JA10-0C.0	1194	890	97.1	97.4	97.4	96.9	0.87	0.88	0.87	0.82	69580	2.30	0.50	5.5	424	1980	o.r.
9650	1SB8 717-6JA10-0C.0	1194	980	97.3	97.5	97.5	97.0	0.87	0.88	0.87	0.82	77178	2.40	0.55	5.5	478	2300	o.r.
10000	1SB8 718-6JA10-0C.0	1195	1040	97.4	97.5	97.5	96.9	0.87	0.87	0.85	0.78	79910	2.50	0.50	5.5	520	2930	o.r.
8-pole: $n_{sync} = 900$ rpm at 60 Hz																		
960	1SB7 452-8JA10-0A.0	889	108	94.2	95.2	95.5	95.2	0.79	0.81	0.77	0.68	10312	1.80	0.55	4.5	25	1150	o.r.
990	1SB7 452-8JA10-0C.0	889	110	94.2	95.2	95.5	95.2	0.81	0.82	0.79	0.70	10634	1.95	0.45	4.5	32	1690	o.r.
1050	1SB7 453-8JA10-0A.0	890	118	94.5	95.4	95.5	95.1	0.80	0.81	0.76	0.65	11266	1.90	0.60	4.5	28	1310	o.r.
1060	1SB7 453-8JA10-0C.0	891	118	94.6	95.4	95.6	95.1	0.81	0.82	0.78	0.67	11361	2.10	0.50	5.0	36	1870	o.r.
1100	1SB7 454-8JA10-0A.0	890	124	94.5	95.4	95.7	95.3	0.80	0.81	0.78	0.68	11803	1.90	0.60	4.5	31	1350	o.r.
1120	1SB7 454-8JA10-0C.0	891	126	94.7	95.5	95.7	95.3	0.82	0.82	0.79	0.70	12004	2.10	0.50	5.0	40	1860	o.r.
1220	1SB7 457-8JA10-0A.0	891	140	95.0	95.6	95.6	95.1	0.81	0.80	0.74	0.62	13075	2.20	0.65	5.0	35	1930	o.r.
1240	1SB7 457-8JA10-0C.0	892	138	95.1	95.7	95.7	95.1	0.82	0.82	0.76	0.65	13275	2.45	0.60	5.5	45	2400	o.r.
1300	1SB7 458-8JA10-0A.0	892	148	95.1	95.7	95.7	95.2	0.81	0.80	0.75	0.62	13917	2.35	0.70	5.5	39	2200	o.r.
1330	1SB7 458-8JA10-0C.0	892	148	95.2	95.8	95.8	95.2	0.82	0.82	0.77	0.65	14238	2.54	0.60	5.5	50	2450	o.r.
1400	1SB7 502-8JA10-0A.0	894	164	95.7	96.0	96.2	95.8	0.80	0.78	0.76	0.65	14954	2.40	0.80	4.6	46	2160	o.r.
1600	1SB7 503-8JA10-0A.0	893	180	95.7	96.3	96.4	96.1	0.81	0.81	0.78	0.68	17110	2.20	0.75	4.4	51	2290	o.r.
1750	1SB7 503-8JA10-0C.0	893	194	95.7	96.2	96.4	96.1	0.81	0.82	0.78	0.69	18714	2.25	0.60	4.2	65	2340	o.r.
1900	1SB7 504-8JA10-0C.0	893	210	95.9	96.3	96.5	96.2	0.82	0.82	0.79	0.70	20318	2.30	0.60	4.3	72	2810	o.r.
1800	1SB7 504-8JA10-0A.0	893	200	95.9	96.4	96.6	96.3	0.81	0.82	0.79	0.70	19248	2.15	0.75	4.4	56	2420	o.r.
2000	1SB7 507-8JA10-0A.0	894	225	96.0	96.4	96.5	96.1	0.81	0.81	0.76	0.65	21363	2.40	0.85	4.7	63	2730	o.r.
2100	1SB7 507-8JA10-0C.0	893	230	96.0	96.4	96.6	96.3	0.82	0.83	0.79	0.70	22456	2.35	0.65	4.4	80	3120	o.r.

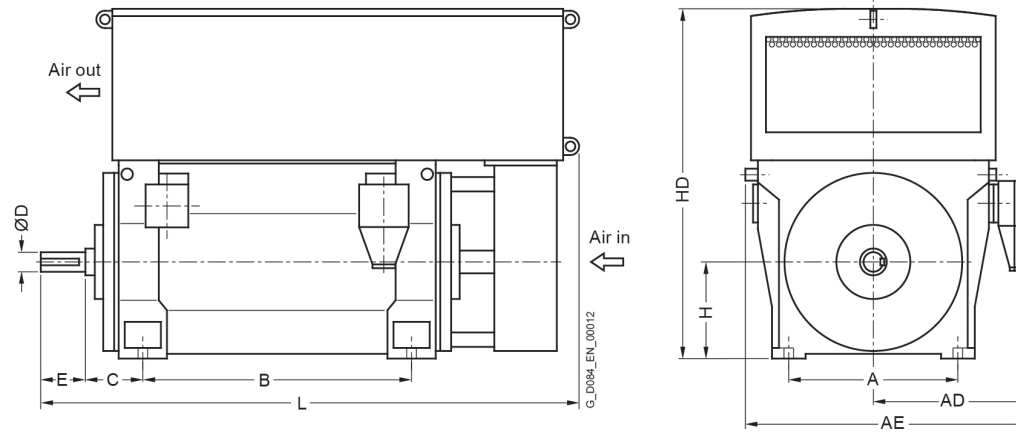
Innomotics HV M - 1SB. IC611 6600 V / 60 Hz B3 (IM 1001)																		
Rated power IEC	Article No.	Speed	Rated current I_R	Efficiency				Power factor				Torque T_R	Breakdown torque T_B/ T_R	Locked rotor torque T_{LR}/ T_R	Locked rotor current I_{LR}/ I_R	Inertia		
				5/4 load	4/4 load	3/4 load	2/4 load	5/4 load	4/4 load	3/4 load	2/4 load					motor	external	Startup max T/TR
kW		rpm	A	%	%	%	%	$\cos \varphi$	$\cos \varphi$	$\cos \varphi$	$\cos \varphi$	Nm	[-]	[-]	[-]	kgm ²	kgm ²	[-]
2200	1SB7 508-8JA10-0C.0	894	245	96.2	96.5	96.6	96.2	0.82	0.82	0.77	0.67	23499	2.60	0.70	4.8	88	3500	o.r.
2200	1SB7 508-8JA10-0A.0	893	245	96.1	96.5	96.7	96.4	0.81	0.82	0.78	0.68	23526	2.30	0.85	4.6	69	2940	o.r.
2500	1SB7 563-8JA10-0C.0	894	275	96.0	96.4	96.7	96.4	0.82	0.82	0.81	0.74	26704	2.05	0.55	4.6	124	2170	o.r.
2700	1SB7 564-8JA10-0C.0	894	300	96.2	96.5	96.8	96.4	0.83	0.82	0.80	0.73	28840	2.20	0.60	4.9	137	2485	o.r.
3050	1SB7 567-8JA10-0C.0	894	335	96.4	96.5	97.0	96.6	0.82	0.83	0.81	0.74	32579	2.15	0.55	4.8	150	3750	o.r.
3300	1SB7 568-8JA10-0C.0	895	365	96.7	96.6	97.0	96.5	0.83	0.82	0.78	0.70	35210	2.50	0.65	5.5	165	4470	o.r.
4100	1SB8 634-8JA10-0C.0	892	435	95.8	96.3	96.3	95.8	0.84	0.86	0.84	0.78	43893	1.90	0.40	4.2	251	3100	o.r.
4550	1SB8 637-8JA10-0C.0	893	480	96.1	96.5	96.5	96.0	0.85	0.86	0.84	0.78	48655	2.05	0.40	4.5	292	3820	o.r.
4800	1SB8 638-8JA10-0C.0	893	500	96.3	96.7	96.6	96.1	0.86	0.87	0.84	0.78	51329	2.10	0.45	4.7	326	4470	o.r.
5150	1SB8 712-8JA10-0C.0	895	530	96.6	96.9	96.7	96.1	0.87	0.87	0.83	0.75	54948	2.45	0.55	5.3	422	3770	o.r.
5500	1SB8 713-8JA10-0C.0	895	570	96.7	96.9	96.8	96.1	0.87	0.87	0.83	0.74	58683	2.55	0.60	5.5	472	4490	o.r.
6300	1SB8 714-8JA10-0C.0	895	650	96.8	97.1	97.0	96.4	0.87	0.87	0.84	0.77	67219	2.40	0.50	5.2	541	4910	o.r.
6900	1SB8 717-8JA10-0C.0	895	710	96.9	97.2	97.2	96.8	0.87	0.88	0.86	0.80	73620	2.35	0.50	5.2	620	5650	o.r.
7450	1SB8 718-8JA10-0C.0	895	750	97.0	97.3	97.3	96.9	0.88	0.89	0.86	0.81	79489	2.35	0.50	5.2	684	6240	o.r.



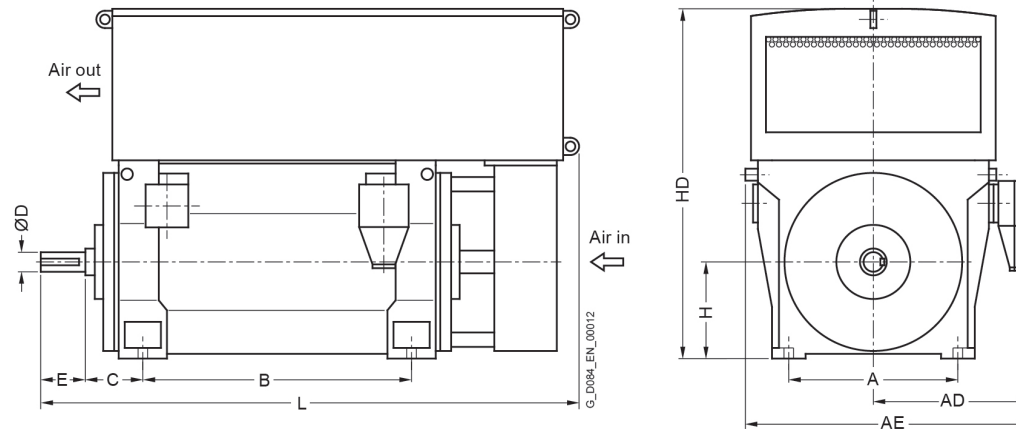
Motor type	Weight	Dimensions										
		A	AD	AE	B	C	D	E	H	HD	L	ML
	kg	mm	mm	mm	mm	mm	mm	mm	mm	mm	mm	mm
Innomotics HV M - 1SB. IC611 6600 V / 60 Hz B3 (IM 1001) - Dimension drawings												
2-pole												
1SB7 453-2JA10-0AA0	4700	850	925	1545	1180	250	95	130	450	1920	2650	200
1SB7 453-2JA10-0AC0	4550	850	925	1545	1180	475	95	130	450	1920	2880	200
1SB7 453-2JA10-0CA0	4800	850	925	1545	1180	250	95	130	450	1920	2650	200
1SB7 453-2JA10-0CC0	4700	850	925	1545	1180	475	95	130	450	1920	2880	200
1SB7 454-2JA10-0AA0	4800	850	925	1545	1180	250	95	130	450	1920	2650	200
1SB7 454-2JA10-0AC0	4650	850	925	1545	1180	475	95	130	450	1920	2880	200
1SB7 454-2JA10-0CA0	4900	850	925	1545	1180	250	95	130	450	1920	2650	200
1SB7 454-2JA10-0CC0	4800	850	925	1545	1180	475	95	130	450	1920	2880	200
1SB7 457-2JA10-0AA0	5250	850	925	1545	1400	250	95	130	450	1920	2860	200
1SB7 457-2JA10-0AC0	5100	850	925	1545	1400	475	95	130	450	1920	3090	200
1SB7 457-2JA10-0CA0	5350	850	925	1545	1400	250	95	130	450	1920	2860	200
1SB7 457-2JA10-0CC0	5250	850	925	1545	1400	475	95	130	450	1920	3090	200
1SB7 458-2JA10-0AA0	5400	850	925	1545	1400	250	95	130	450	1920	2860	200
1SB7 458-2JA10-0AC0	5300	850	925	1545	1400	475	95	130	450	1920	3090	200
1SB7 458-2JA10-0CA0	5550	850	925	1545	1400	250	95	130	450	1920	2860	200
1SB7 458-2JA10-0CC0	5450	850	925	1545	1400	475	95	130	450	1920	3090	200
1SB7 502-2JA10-0CA0	6300	950	1005	1705	1320	250	110	165	500	2230	2920	250
1SB7 502-2JA10-0CC0	6250	950	1005	1705	1320	530	120	165	500	2230	3200	250
1SB7 503-2JA10-0CA0	6600	950	1005	1705	1320	250	110	165	500	2230	2920	250
1SB7 503-2JA10-0CC0	6500	950	1005	1705	1320	530	120	165	500	2230	3200	250
1SB7 504-2JA10-0CA0	6700	950	1005	1705	1320	250	110	165	500	2230	2920	250
1SB7 504-2JA10-0CC0	6600	950	1005	1705	1320	530	120	165	500	2230	3200	250



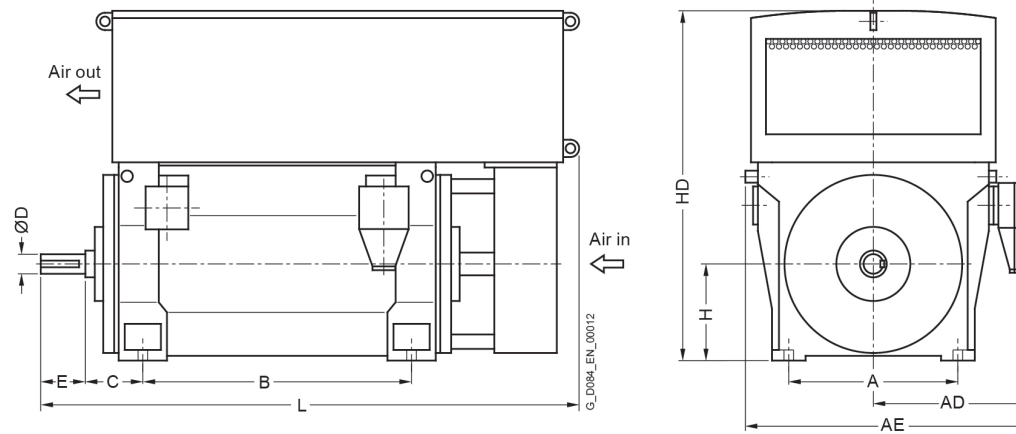
Motor type	Weight	Dimensions												
		A	AD	AE	B	C	D	E	H	HD	L	ML		
	kg	mm	mm	mm	mm	mm	mm	mm	mm	mm	mm	mm	mm	
Innomotics HV M - 1SB. IC611 6600 V / 60 Hz B3 (IM 1001) - Dimension drawings														
1SB7 507-2JA10-0CA0	7350	950	1005	1705	1500	250	110	165	500	2230	3130	250		
1SB7 507-2JA10-0CC0	7300	950	1005	1705	1500	530	120	165	500	2230	3410	250		
1SB7 508-2JA10-0CA0	7700	950	1005	1705	1500	250	110	165	500	2230	3130	250		
1SB7 508-2JA10-0CC0	7600	950	1005	1705	1500	530	120	165	500	2230	3410	250		
1SB7 562-2JA10-0CC0	8400	1060	1290	2060	1400	600	150	200	560	2350	3450	300		
1SB7 563-2JA10-0CC0	8600	1060	1290	2060	1400	600	150	200	560	2350	3450	300		
1SB7 564-2JA10-0CC0	8900	1060	1290	2060	1400	600	150	200	560	2350	3450	300		
1SB7 567-2JA10-0CC0	9750	1060	1290	2060	1600	600	150	200	560	2350	3680	300		
1SB7 568-2JA10-0CC0	10350	1060	1290	2060	1600	600	150	200	560	2350	3680	300		
1SB8 632-2JA10-0CJ0	10300	1320	1520	2520	1600	560	160	240	630	2710	3680	350		
1SB8 633-2JA10-0CJ0	10800	1320	1520	2520	1600	560	160	240	630	2710	3680	350		
1SB8 634-2JA10-0CJ0	11300	1320	1520	2520	1600	560	160	240	630	2710	3680	350		
1SB8 637-2JA10-0CJ0	12250	1320	1520	2520	1800	560	160	240	630	2710	3880	350		
1SB8 638-2JA10-0CJ0	12850	1320	1520	2520	1800	560	160	240	630	2710	3880	350		
1SB8 712-2JA10-0CJ0	14700	1500	1620	2720	2000	560	180	240	710	3090	4400	400		
1SB8 713-2JA10-0CJ0	15300	1500	1620	2720	2000	560	180	240	710	3090	4400	400		
1SB8 714-2JA10-0CJ0	16050	1500	1620	2720	2000	560	180	240	710	3090	4400	400		
1SB8 716-2JA10-0CJ0	17200	1500	1620	2720	2240	560	180	240	710	3090	4640	400		
1SB8 717-2JA10-0CJ0	18000	1500	1620	2720	2240	560	180	240	710	3090	4640	400		
4-pole														
1SB7 453-4JA10-0AA0	4650	850	925	1545	1180	250	130	200	450	1920	2720	200		
1SB7 453-4JA10-0AC0	4650	850	925	1545	1180	500	130	200	450	1920	2970	200		
1SB7 453-4JA10-0CA0	4750	850	925	1545	1180	250	130	200	450	1920	2720	200		



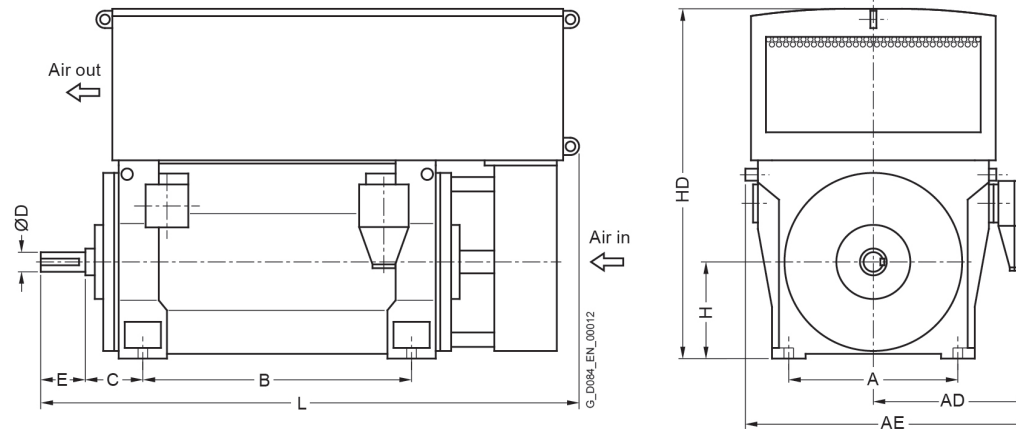
Motor type	Weight	Dimensions										
		A	AD	AE	B	C	D	E	H	HD	L	ML
	kg	mm	mm	mm	mm	mm	mm	mm	mm	mm	mm	mm
Innomotics HV M - 1SB. IC611 6600 V / 60 Hz B3 (IM 1001) - Dimension drawings												
1SB7 453-4JA10-0CC0	4800	850	925	1545	1180	500	130	200	450	1920	2970	200
1SB7 454-4JA10-0CA0	5000	850	925	1545	1180	250	130	200	450	1920	2720	200
1SB7 454-4JA10-0CC0	5000	850	925	1545	1180	500	130	200	450	1920	2970	200
1SB7 454-4JA10-0AA0	4800	850	925	1545	1180	250	130	200	450	1920	2720	200
1SB7 454-4JA10-0AC0	4800	850	925	1545	1180	500	130	200	450	1920	2970	200
1SB7 457-4JA10-0CA0	5600	850	925	1545	1400	250	130	200	450	1920	2930	200
1SB7 457-4JA10-0CC0	5600	850	925	1545	1400	500	130	200	450	1920	3180	200
1SB7 457-4JA10-0AA0	5450	850	925	1545	1400	250	130	200	450	1920	2930	200
1SB7 457-4JA10-0AC0	5450	850	925	1545	1400	500	130	200	450	1920	3180	200
1SB7 458-4JA10-0CA0	5800	850	925	1545	1400	250	130	200	450	1920	2930	200
1SB7 458-4JA10-0CC0	5850	850	925	1545	1400	500	130	200	450	1920	3180	200
1SB7 458-4JA10-0AA0	5650	850	925	1545	1400	250	130	200	450	1920	2930	200
1SB7 458-4JA10-0AC0	5700	850	925	1545	1400	500	130	200	450	1920	3180	200
1SB7 503-4JA10-0AA0	6700	950	1005	1705	1320	315	160	240	500	2230	3060	250
1SB7 503-4JA10-0AC0	6750	950	1005	1705	1320	560	170	240	500	2230	3300	250
1SB7 503-4JA10-0CA0	6850	950	1005	1705	1320	315	160	240	500	2230	3060	250
1SB7 503-4JA10-0CC0	6900	950	1005	1705	1320	560	170	240	500	2230	3300	250
1SB7 504-4JA10-0AA0	7000	950	1005	1705	1320	315	160	240	500	2230	3060	250
1SB7 504-4JA10-0AC0	7050	950	1005	1705	1320	560	170	240	500	2230	3300	250
1SB7 504-4JA10-0CA0	7150	950	1005	1705	1320	315	160	240	500	2230	3060	250
1SB7 504-4JA10-0CC0	7200	950	1005	1705	1320	560	170	240	500	2230	3300	250
1SB7 507-4JA10-0CA0	7800	950	1005	1705	1500	315	160	240	500	2230	3270	250
1SB7 507-4JA10-0CC0	7850	950	1005	1705	1500	560	170	240	500	2230	3510	250



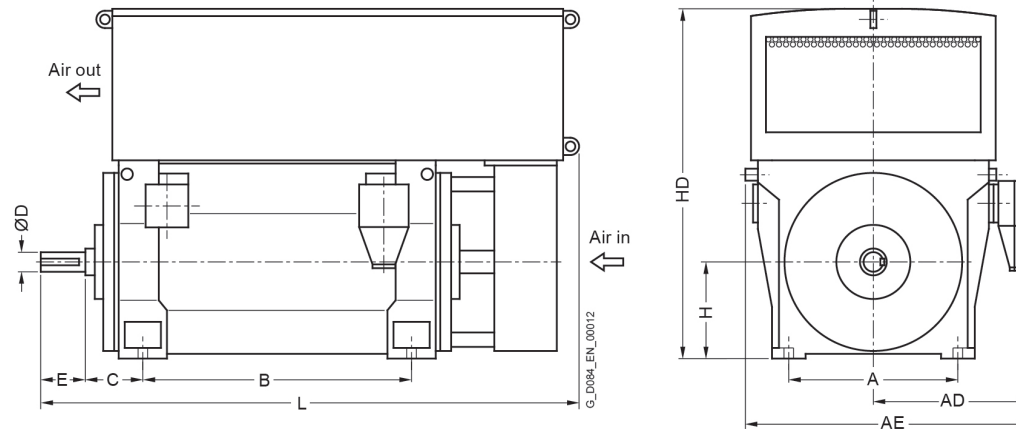
Motor type	Weight	Dimensions										
		A	AD	AE	B	C	D	E	H	HD	L	ML
	kg	mm	mm	mm	mm	mm	mm	mm	mm	mm	mm	mm
Innomotics HV M - 1SB. IC611 6600 V / 60 Hz B3 (IM 1001) - Dimension drawings												
1SB7 507-4JA10-0AA0	7650	950	1005	1705	1500	315	160	240	500	2230	3270	250
1SB7 507-4JA10-0AC0	7700	950	1005	1705	1500	560	170	240	500	2230	3510	250
1SB7 508-4JA10-0AA0	8000	950	1005	1705	1500	315	160	240	500	2230	3270	250
1SB7 508-4JA10-0AC0	8050	950	1005	1705	1500	560	170	240	500	2230	3510	250
1SB7 508-4JA10-0CA0	8200	950	1005	1705	1500	315	160	240	500	2230	3270	250
1SB7 508-4JA10-0CC0	8250	950	1005	1705	1500	560	170	240	500	2230	3510	250
1SB7 563-4JA10-0CA0	8600	1060	1290	2060	1400	335	190	280	560	2350	3260	300
1SB7 563-4JA10-0CC0	8650	1060	1290	2060	1400	600	190	280	560	2350	3530	300
1SB7 564-4JA10-0CA0	9100	1060	1290	2060	1400	335	190	280	560	2350	3260	300
1SB7 564-4JA10-0CC0	9150	1060	1290	2060	1400	600	190	280	560	2350	3530	300
1SB7 566-4JA10-0CA0	10000	1060	1290	2060	1600	335	190	280	560	2350	3490	300
1SB7 566-4JA10-0CC0	10050	1060	1290	2060	1600	600	190	280	560	2350	3760	300
1SB7 567-4JA10-0CA0	10450	1060	1290	2060	1600	335	190	280	560	2350	3490	300
1SB7 567-4JA10-0CC0	10500	1060	1290	2060	1600	600	190	280	560	2350	3760	300
1SB7 568-4JA10-0CA0	10900	1060	1290	2060	1600	335	190	280	560	2350	3490	300
1SB7 568-4JA10-0CC0	10950	1060	1290	2060	1600	600	190	280	560	2350	3760	300
1SB8 633-4JA10-0CG0	11350	1320	1520	2520	1600	375	200	280	630	2710	3530	350
1SB8 633-4JA10-0CJ0	11500	1320	1520	2520	1600	630	200	280	630	2710	3790	350
1SB8 634-4JA10-0CG0	11950	1320	1520	2520	1600	375	200	280	630	2710	3530	350
1SB8 634-4JA10-0CJ0	12100	1320	1520	2520	1600	630	200	280	630	2710	3790	350
1SB8 637-4JA10-0CG0	12800	1320	1520	2520	1800	375	200	280	630	2710	3730	350
1SB8 637-4JA10-0CJ0	12900	1320	1520	2520	1800	630	200	280	630	2710	3990	350
1SB8 638-4JA10-0CG0	13500	1320	1520	2520	1800	375	200	280	630	2710	3730	350



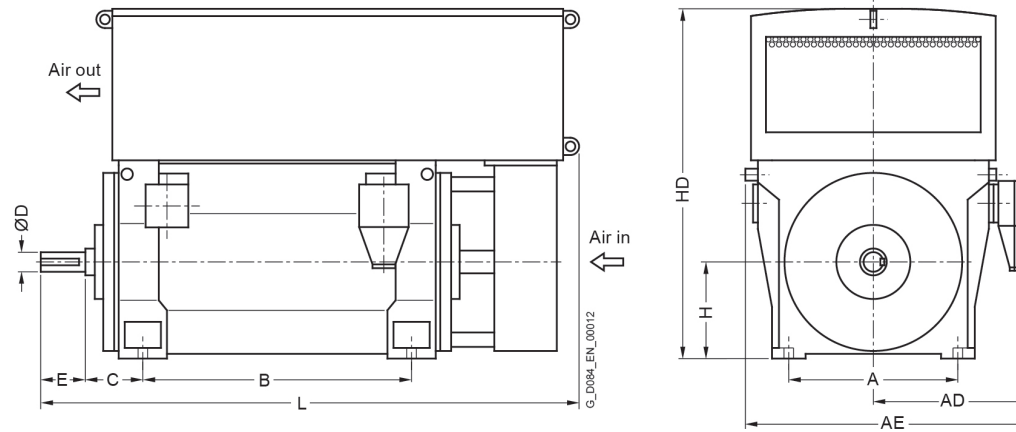
Motor type	Weight	Dimensions										
		A	AD	AE	B	C	D	E	H	HD	L	ML
	kg	mm	mm	mm	mm	mm	mm	mm	mm	mm	mm	mm
Innomotics HV M - 1SB. IC611 6600 V / 60 Hz B3 (IM 1001) - Dimension drawings												
1SB8 638-4JA10-0CJ0	13650	1320	1520	2520	1800	630	200	280	630	2710	3990	350
1SB8 712-4JA10-0CG0	15650	1500	1620	2720	2000	375	220	280	710	3090	3980	400
1SB8 712-4JA10-0CJ0	15750	1500	1620	2720	2000	630	220	280	710	3090	4230	400
1SB8 713-4JA10-0CG0	16350	1500	1620	2720	2000	375	220	280	710	3090	3980	400
1SB8 713-4JA10-0CJ0	16450	1500	1620	2720	2000	630	220	280	710	3090	4230	400
1SB8 714-4JA10-0CG0	17150	1500	1620	2720	2000	375	220	280	710	3090	3980	400
1SB8 714-4JA10-0CJ0	17250	1500	1620	2720	2000	630	220	280	710	3090	4230	400
1SB8 717-4JA10-0CG0	18500	1500	1620	2720	2240	375	220	280	710	3090	4220	400
1SB8 717-4JA10-0CJ0	18600	1500	1620	2720	2240	630	220	280	710	3090	4470	400
1SB8 718-4JA10-0CG0	19050	1500	1620	2720	2240	375	220	280	710	3090	4220	400
1SB8 718-4JA10-0CJ0	19150	1500	1620	2720	2240	630	220	280	710	3090	4470	400
6-pole												
1SB7 452-6JA10-0AA0	4500	850	925	1545	1180	250	130	200	450	1920	2720	200
1SB7 452-6JA10-0AC0	4500	850	925	1545	1180	500	130	200	450	1920	2970	200
1SB7 453-6JA10-0AA0	4650	850	925	1545	1180	250	130	200	450	1920	2720	200
1SB7 453-6JA10-0AC0	4700	850	925	1545	1180	500	130	200	450	1920	2970	200
1SB7 453-6JA10-0CA0	4800	850	925	1545	1180	250	130	200	450	1920	2720	200
1SB7 453-6JA10-0CC0	4850	850	925	1545	1180	500	130	200	450	1920	2970	200
1SB7 454-6JA10-0AA0	4850	850	925	1545	1180	250	130	200	450	1920	2720	200
1SB7 454-6JA10-0AC0	4850	850	925	1545	1180	500	130	200	450	1920	2970	200
1SB7 454-6JA10-0CA0	5000	850	925	1545	1180	250	130	200	450	1920	2720	200
1SB7 454-6JA10-0CC0	5000	850	925	1545	1180	500	130	200	450	1920	2970	200
1SB7 457-6JA10-0AA0	5300	850	925	1545	1400	250	130	200	450	1920	2930	200



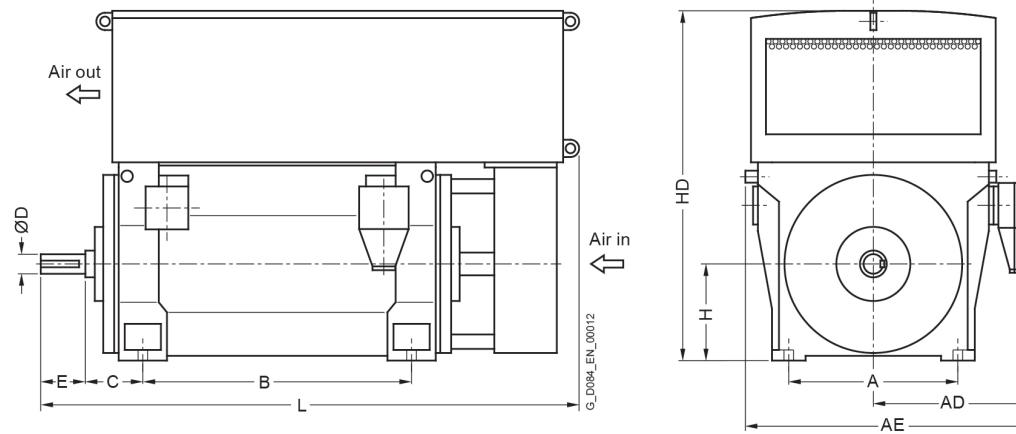
Motor type	Weight	Dimensions										
		A	AD	AE	B	C	D	E	H	HD	L	ML
	kg	mm	mm	mm	mm	mm	mm	mm	mm	mm	mm	mm
Innomotics HV M - 1SB. IC611 6600 V / 60 Hz B3 (IM 1001) - Dimension drawings												
1SB7 457-6JA10-0AC0	5350	850	925	1545	1400	500	130	200	450	1920	3180	200
1SB7 457-6JA10-0CA0	5500	850	925	1545	1400	250	130	200	450	1920	2930	200
1SB7 457-6JA10-0CC0	5500	850	925	1545	1400	500	130	200	450	1920	3180	200
1SB7 458-6JA10-0AA0	5600	850	925	1545	1400	250	130	200	450	1920	2930	200
1SB7 458-6JA10-0AC0	5600	850	925	1545	1400	500	130	200	450	1920	3180	200
1SB7 458-6JA10-0CA0	5800	850	925	1545	1400	250	130	200	450	1920	2930	200
1SB7 458-6JA10-0CC0	5800	850	925	1545	1400	500	130	200	450	1920	3180	200
1SB7 502-6JA10-0AA0	6550	950	1005	1705	1320	315	160	240	500	2230	3060	250
1SB7 502-6JA10-0AC0	6550	950	1005	1705	1320	560	170	240	500	2230	3300	250
1SB7 502-6JA10-0CA0	6750	950	1005	1705	1320	315	160	240	500	2230	3060	250
1SB7 502-6JA10-0CC0	6750	950	1005	1705	1320	560	170	240	500	2230	3300	250
1SB7 503-6JA10-0AA0	6800	950	1005	1705	1320	315	160	240	500	2230	3060	250
1SB7 503-6JA10-0AC0	6800	950	1005	1705	1320	560	170	240	500	2230	3300	250
1SB7 503-6JA10-0CA0	7000	950	1005	1705	1320	315	160	240	500	2230	3060	250
1SB7 503-6JA10-0CC0	7050	950	1005	1705	1320	560	170	240	500	2230	3300	250
1SB7 504-6JA10-0AA0	7050	950	1005	1705	1320	315	160	240	500	2230	3060	250
1SB7 504-6JA10-0AC0	7100	950	1005	1705	1320	560	170	240	500	2230	3300	250
1SB7 504-6JA10-0CA0	7300	950	1005	1705	1320	315	160	240	500	2230	3060	250
1SB7 504-6JA10-0CC0	7350	950	1005	1705	1320	560	170	240	500	2230	3300	250
1SB7 507-6JA10-0AA0	7800	950	1005	1705	1500	315	160	240	500	2230	3270	250
1SB7 507-6JA10-0AC0	7800	950	1005	1705	1500	560	170	240	500	2230	3510	250
1SB7 507-6JA10-0CA0	8050	950	1005	1705	1500	315	160	240	500	2230	3270	250
1SB7 507-6JA10-0CC0	8050	950	1005	1705	1500	560	170	240	500	2230	3510	250



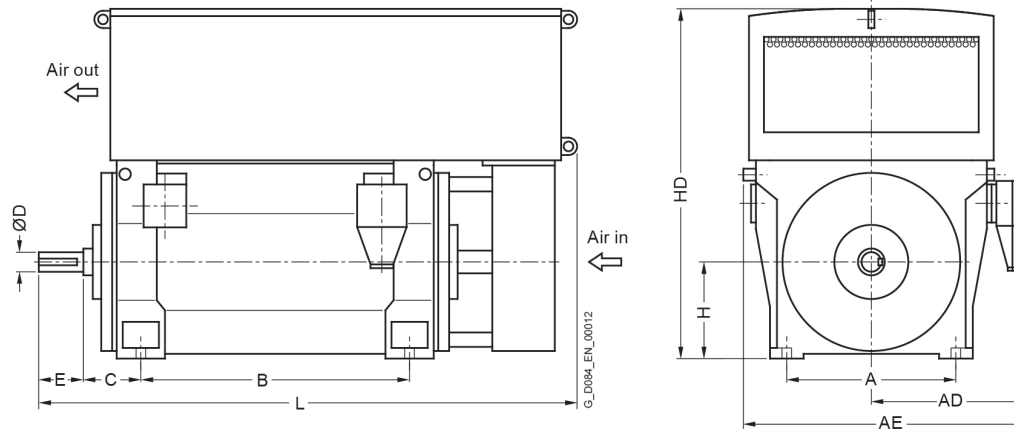
Motor type	Weight	Dimensions										
		A	AD	AE	B	C	D	E	H	HD	L	ML
	kg	mm	mm	mm	mm	mm	mm	mm	mm	mm	mm	mm
Innomotics HV M - 1SB. IC611 6600 V / 60 Hz B3 (IM 1001) - Dimension drawings												
1SB7 508-6JA10-0AA0	8100	950	1005	1705	1500	315	160	240	500	2230	3270	250
1SB7 508-6JA10-0AC0	8100	950	1005	1705	1500	560	170	240	500	2230	3510	250
1SB7 561-6JA10-0CA0	8550	1060	1290	2060	1400	335	190	280	560	2350	3260	300
1SB7 561-6JA10-0CC0	8550	1060	1290	2060	1400	600	190	280	560	2350	3530	300
1SB7 563-6JA10-0CA0	9150	1060	1290	2060	1400	335	190	280	560	2350	3260	300
1SB7 563-6JA10-0CC0	9200	1060	1290	2060	1400	600	190	280	560	2350	3530	300
1SB7 567-6JA10-0CA0	10400	1060	1290	2060	1600	335	190	280	560	2350	3490	300
1SB7 567-6JA10-0CC0	10450	1060	1290	2060	1600	600	190	280	560	2350	3760	300
1SB7 568-6JA10-0CA0	11050	1060	1290	2060	1600	335	190	280	560	2350	3490	300
1SB7 568-6JA10-0CC0	11100	1060	1290	2060	1600	600	190	280	560	2350	3760	300
1SB8 632-6JA10-0CG0	11450	1320	1520	2520	1600	375	200	280	630	2710	3530	350
1SB8 632-6JA10-0CJ0	11500	1320	1520	2520	1600	630	200	280	630	2710	3790	350
1SB8 633-6JA10-0CG0	12000	1320	1520	2520	1600	375	200	280	630	2710	3530	350
1SB8 633-6JA10-0CJ0	12050	1320	1520	2520	1600	630	200	280	630	2710	3790	350
1SB8 634-6JA10-0CG0	12500	1320	1520	2520	1600	375	200	280	630	2710	3530	350
1SB8 634-6JA10-0CJ0	12550	1320	1520	2520	1600	630	200	280	630	2710	3790	350
1SB8 637-6JA10-0CG0	13400	1320	1520	2520	1800	375	200	280	630	2710	3730	350
1SB8 637-6JA10-0CJ0	13450	1320	1520	2520	1800	630	200	280	630	2710	3990	350
1SB8 638-6JA10-0CG0	13850	1320	1520	2520	1800	375	200	280	630	2710	3730	350
1SB8 638-6JA10-0CJ0	13900	1320	1520	2520	1800	630	200	280	630	2710	3990	350
1SB8 712-6JA10-0CG0	15600	1500	1620	2720	2000	375	220	280	710	3090	3980	400
1SB8 712-6JA10-0CJ0	15750	1500	1620	2720	2000	630	220	280	710	3090	4230	400
1SB8 713-6JA10-0CG0	16600	1500	1620	2720	2000	375	220	280	710	3090	3980	400



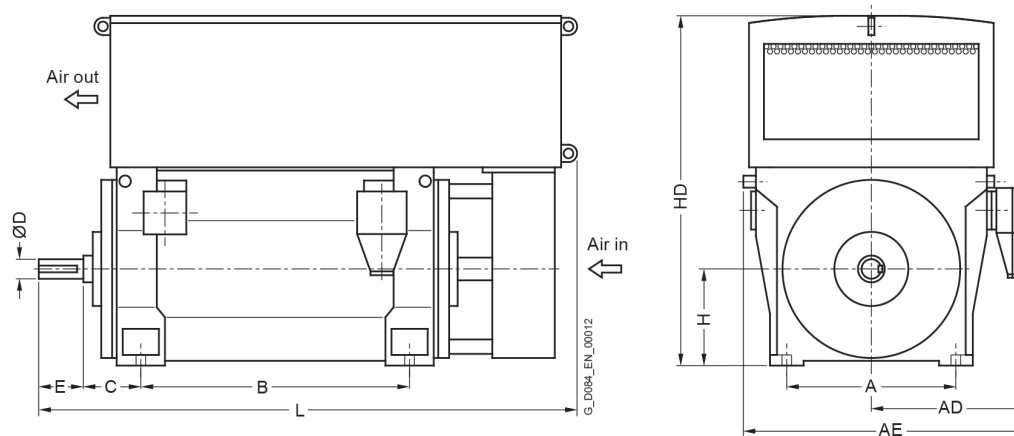
Motor type	Weight kg	Dimensions										
		A mm	AD mm	AE mm	B mm	C mm	D mm	E mm	H mm	HD mm	L mm	ML mm
Innomotics HV M - 1SB. IC611 6600 V / 60 Hz B3 (IM 1001) - Dimension drawings												
1SB8 713-6JA10-0CJ0	16700	1500	1620	2720	2000	630	220	280	710	3090	4230	400
1SB8 714-6JA10-0CG0	17600	1500	1620	2720	2000	375	220	280	710	3090	3980	400
1SB8 714-6JA10-0CJ0	17700	1500	1620	2720	2000	630	220	280	710	3090	4230	400
1SB8 717-6JA10-0CG0	19200	1500	1620	2720	2240	375	220	280	710	3090	4220	400
1SB8 717-6JA10-0CJ0	19350	1500	1620	2720	2240	630	220	280	710	3090	4470	400
1SB8 718-6JA10-0CG0	20100	1500	1620	2720	2240	375	220	280	710	3090	4220	400
1SB8 718-6JA10-0CJ0	20250	1500	1620	2720	2240	630	220	280	710	3090	4470	400
8-pole												
1SB7 452-8JA10-0AA0	4650	850	925	1545	1180	250	130	200	450	1920	2720	200
1SB7 452-8JA10-0AC0	4650	850	925	1545	1180	500	130	200	450	1920	2970	200
1SB7 452-8JA10-0CA0	4800	850	925	1545	1180	250	130	200	450	1920	2720	200
1SB7 452-8JA10-0CC0	4800	850	925	1545	1180	500	130	200	450	1920	2970	200
1SB7 453-8JA10-0AA0	4850	850	925	1545	1180	250	130	200	450	1920	2720	200
1SB7 453-8JA10-0AC0	4850	850	925	1545	1180	500	130	200	450	1920	2970	200
1SB7 453-8JA10-0CA0	5000	850	925	1545	1180	250	130	200	450	1920	2720	200
1SB7 453-8JA10-0CC0	5000	850	925	1545	1180	500	130	200	450	1920	2970	200
1SB7 454-8JA10-0AA0	5050	850	925	1545	1180	250	130	200	450	1920	2720	200
1SB7 454-8JA10-0AC0	5050	850	925	1545	1180	500	130	200	450	1920	2970	200
1SB7 454-8JA10-0CA0	5250	850	925	1545	1180	250	130	200	450	1920	2720	200
1SB7 454-8JA10-0CC0	5250	850	925	1545	1180	500	130	200	450	1920	2970	200
1SB7 457-8JA10-0AA0	5600	850	925	1545	1400	250	130	200	450	1920	2930	200
1SB7 457-8JA10-0AC0	5600	850	925	1545	1400	500	130	200	450	1920	3180	200
1SB7 457-8JA10-0CA0	5800	850	925	1545	1400	250	130	200	450	1920	2930	200



Motor type	Weight	Dimensions												
		A	AD	AE	B	C	D	E	H	HD	L	ML		
	kg	mm	mm	mm	mm	mm	mm	mm	mm	mm	mm	mm	mm	
Innomotics HV M - 1SB. IC611 6600 V / 60 Hz B3 (IM 1001) - Dimension drawings														
1SB7 457-8JA10-0CC0	5800	850	925	1545	1400	500	130	200	450	1920	3180	200		
1SB7 458-8JA10-0AA0	5850	850	925	1545	1400	250	130	200	450	1920	2930	200		
1SB7 458-8JA10-0AC0	5900	850	925	1545	1400	500	130	200	450	1920	3180	200		
1SB7 458-8JA10-0CA0	6050	850	925	1545	1400	250	130	200	450	1920	2930	200		
1SB7 458-8JA10-0CC0	6050	850	925	1545	1400	500	130	200	450	1920	3180	200		
1SB7 502-8JA10-0AA0	6550	950	1005	1705	1320	315	160	240	500	2230	3060	250		
1SB7 502-8JA10-0AC0	6550	950	1005	1705	1320	560	170	240	500	2230	3300	250		
1SB7 503-8JA10-0AA0	6800	950	1005	1705	1320	315	160	240	500	2230	3060	250		
1SB7 503-8JA10-0AC0	6850	950	1005	1705	1320	560	170	240	500	2230	3300	250		
1SB7 503-8JA10-0CA0	7000	950	1005	1705	1320	315	160	240	500	2230	3060	250		
1SB7 503-8JA10-0CC0	7050	950	1005	1705	1320	560	170	240	500	2230	3300	250		
1SB7 504-8JA10-0CA0	7350	950	1005	1705	1320	315	160	240	500	2230	3060	250		
1SB7 504-8JA10-0CC0	7350	950	1005	1705	1320	560	170	240	500	2230	3300	250		
1SB7 504-8JA10-0AA0	7100	950	1005	1705	1320	315	160	240	500	2230	3060	250		
1SB7 504-8JA10-0AC0	7150	950	1005	1705	1320	560	170	240	500	2230	3300	250		
1SB7 507-8JA10-0AA0	7800	950	1005	1705	1500	315	160	240	500	2230	3270	250		
1SB7 507-8JA10-0AC0	7800	950	1005	1705	1500	560	170	240	500	2230	3510	250		
1SB7 507-8JA10-0CA0	8050	950	1005	1705	1500	315	160	240	500	2230	3270	250		
1SB7 507-8JA10-0CC0	8050	950	1005	1705	1500	560	170	240	500	2230	3510	250		
1SB7 508-8JA10-0CA0	8400	950	1005	1705	1500	315	160	240	500	2230	3270	250		
1SB7 508-8JA10-0CC0	8400	950	1005	1705	1500	560	170	240	500	2230	3510	250		
1SB7 508-8JA10-0AA0	8100	950	1005	1705	1500	315	160	240	500	2230	3270	250		
1SB7 508-8JA10-0AC0	8150	950	1005	1705	1500	560	170	240	500	2230	3510	250		



Motor type	Weight	Dimensions										
		A	AD	AE	B	C	D	E	H	HD	L	ML
	kg	mm	mm	mm	mm	mm	mm	mm	mm	mm	mm	mm
Innomotics HV M - 1SB. IC611 6600 V / 60 Hz B3 (IM 1001) - Dimension drawings												
1SB7 563-8JA10-0CA0	8900	1060	1075	1845	1400	335	190	280	560	2350	3260	300
1SB7 563-8JA10-0CC0	8950	1060	1075	1845	1400	600	190	280	560	2350	3530	300
1SB7 564-8JA10-0CA0	9350	1060	1075	1845	1400	335	190	280	560	2350	3260	300
1SB7 564-8JA10-0CC0	9400	1060	1075	1845	1400	600	190	280	560	2350	3530	300
1SB7 567-8JA10-0CA0	10300	1060	1075	1845	1600	335	190	280	560	2350	3490	300
1SB7 567-8JA10-0CC0	10350	1060	1075	1845	1600	600	190	280	560	2350	3760	300
1SB7 568-8JA10-0CA0	10750	1060	1075	1845	1600	335	190	280	560	2350	3490	300
1SB7 568-8JA10-0CC0	10800	1060	1075	1845	1600	600	190	280	560	2350	3760	300
1SB8 634-8JA10-0CG0	11600	1320	1520	2520	1600	375	200	280	630	2570	3530	350
1SB8 634-8JA10-0CJ0	11650	1320	1520	2520	1600	630	200	280	630	2570	3790	350
1SB8 637-8JA10-0CG0	12800	1320	1520	2520	1800	375	200	280	630	2570	3730	350
1SB8 637-8JA10-0CJ0	12850	1320	1520	2520	1800	630	200	280	630	2570	3990	350
1SB8 638-8JA10-0CG0	13550	1320	1520	2520	1800	375	200	280	630	2570	3730	350
1SB8 638-8JA10-0CJ0	13600	1320	1520	2520	1800	630	200	280	630	2570	3990	350
1SB8 712-8JA10-0CG0	15150	1500	1620	2720	2000	375	220	280	710	3090	3980	400
1SB8 712-8JA10-0CJ0	15300	1500	1620	2720	2000	630	220	280	710	3090	4230	400
1SB8 713-8JA10-0CG0	15950	1500	1620	2720	2000	375	220	280	710	3090	3980	400
1SB8 713-8JA10-0CJ0	16150	1500	1620	2720	2000	630	220	280	710	3090	4230	400
1SB8 714-8JA10-0CG0	17100	1500	1620	2720	2000	375	220	280	710	3090	3980	400
1SB8 714-8JA10-0CJ0	17300	1500	1620	2720	2000	630	220	280	710	3090	4230	400
1SB8 717-8JA10-0CG0	18800	1500	1620	2720	2240	375	220	280	710	3090	4220	400
1SB8 717-8JA10-0CJ0	18950	1500	1620	2720	2240	630	220	280	710	3090	4470	400
1SB8 718-8JA10-0CG0	19850	1500	1620	2720	2240	375	220	280	710	3090	4220	400



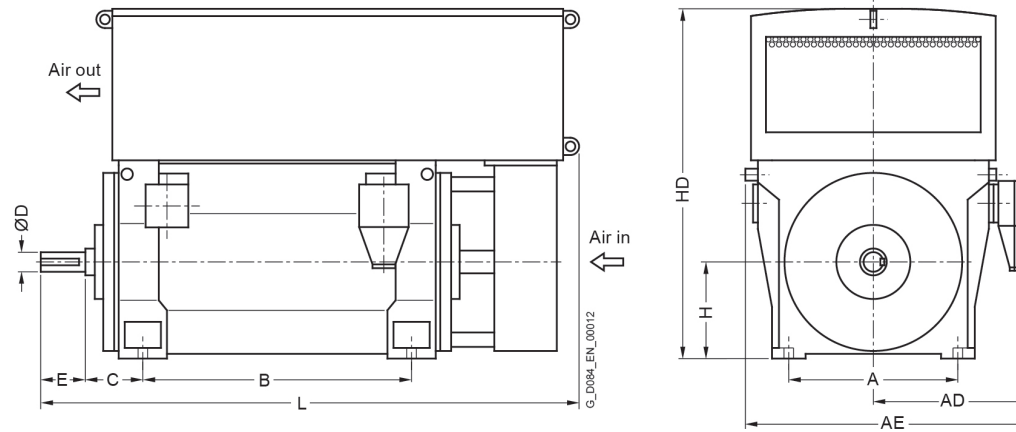
Motor type	Weight	Dimensions										
		A	AD	AE	B	C	D	E	H	HD	L	ML
	kg	mm	mm	mm	mm	mm	mm	mm	mm	mm	mm	mm
Innomotics HV M - 1SB. IC611 6600 V / 60 Hz B3 (IM 1001) - Dimension drawings												
1SB8 718-8JA10-0CJ0	20050	1500	1620	2720	2240	630	220	280	710	3090	4470	400

Innomotics HV M - 1SB. IC611 10000 V / 50 Hz B3 (IM 1001)																			
Rated power IEC	Article No.	Speed	Rated current		Efficiency				Power factor				Torque	Breakdown torque	Locked rotor torque	Locked rotor current	Inertia		
			I_R		5/4 load	4/4 load	3/4 load	2/4 load	5/4 load	4/4 load	3/4 load	2/4 load					T_R	T_B/ T_R	T_{LR}/ T_R
kW		rpm	A		%	%	%	%	cos φ	cos φ	cos φ	cos φ	Nm	[-]	[-]	[-]	kgm ²	kgm ²	[-]
2-pole: n_{sync} = 3000 rpm at 50 Hz																			
1260	1SB7 453-2JA80-0A.2	2979	85		95.2	95.7	95.8	95.1	0.88	0.89	0.88	0.82	4040	2.40	0.55	5.8	10	60	o.r.
1280	1SB7 453-2JA80-0C.2	2981	87		95.3	95.7	95.8	95.2	0.88	0.89	0.89	0.84	4103	2.45	0.60	5.5	14	100	o.r.
1400	1SB7 454-2JA80-0C.2	2981	94		95.5	95.8	95.8	95.1	0.89	0.90	0.89	0.84	4485	2.60	0.65	6.0	15	100	o.r.
1400	1SB7 454-2JA80-0A.2	2979	94		95.2	95.8	96.0	95.6	0.88	0.90	0.89	0.86	4493	2.40	0.55	5.8	11	60	o.r.
1600	1SB7 457-2JA80-0A.2	2980	106		95.6	96.0	96.1	95.5	0.89	0.90	0.89	0.84	5129	2.60	0.60	5.8	12	70	o.r.
1600	1SB7 457-2JA80-0C.2	2981	106		95.6	96.0	96.1	95.5	0.89	0.90	0.90	0.86	5128	2.60	0.65	6.0	16	120	o.r.
1800	1SB7 458-2JA80-0A.2	2980	120		95.8	96.2	96.3	95.8	0.89	0.90	0.89	0.85	5770	2.70	0.60	6.0	13	70	o.r.
1800	1SB7 458-2JA80-0C.2	2981	120		95.8	96.2	96.3	95.8	0.90	0.90	0.90	0.86	5768	2.65	0.65	6.0	18	120	o.r.
1920	1SB7 503-2JA80-0A.2	2973	130		95.6	96.1	96.3	96.0	0.88	0.89	0.89	0.85	6168	2.60	0.50	5.0	15	60	o.r.
2000	1SB7 503-2JA80-0C.2	2978	134		95.8	96.2	96.4	96.1	0.89	0.89	0.89	0.86	6419	2.45	0.55	4.7	20	142	o.r.
2000	1SB7 504-2JA80-0A.2	2975	134		95.8	96.2	96.4	96.0	0.89	0.89	0.88	0.84	6420	2.85	0.70	5.6	15	66	o.r.
2100	1SB7 504-2JA80-0C.2	2979	140		96.0	96.3	96.5	96.1	0.90	0.90	0.90	0.86	6735	2.65	0.70	5.1	21	142	o.r.
2240	1SB7 507-2JA80-0A.2	2976	150		96.1	96.4	96.7	96.4	0.90	0.90	0.90	0.86	7189	2.85	0.70	5.8	18	78	o.r.
2360	1SB7 507-2JA80-0C.2	2979	156		96.2	96.6	96.8	96.5	0.91	0.91	0.91	0.88	7568	2.65	0.70	5.3	24	156	o.r.
2640	1SB7 508-2JA80-0C.2	2980	172		96.4	96.8	97.0	96.7	0.91	0.92	0.92	0.88	8462	2.75	0.75	5.7	27	164	o.r.
2500	1SB7 508-2JA80-0A.2	2975	164		96.3	96.7	97.0	96.8	0.91	0.91	0.91	0.88	8026	2.75	0.80	5.7	20	84	o.r.
2950	1SB7 562-2JA80-0CC2	2986	194		96.3	96.3	96.1	95.2	0.91	0.91	0.89	0.84	9437	2.95	0.80	6.0	41	230	o.r.
3300	1SB7 563-2JA80-0CC2	2984	215		96.4	96.5	96.4	95.8	0.91	0.91	0.90	0.86	10565	2.55	0.65	5.9	44	260	o.r.
3750	1SB7 564-2JA80-0CC2	2986	245		96.3	96.3	96.0	95.1	0.92	0.91	0.90	0.85	11996	2.95	0.75	6.0	47	265	o.r.
4250	1SB7 567-2JA80-0CC2	2985	275		96.6	96.5	96.4	95.7	0.92	0.92	0.91	0.87	13600	2.75	0.70	5.7	52	295	o.r.
4600	1SB7 568-2JA80-0CC2	2987	300		96.8	96.7	96.5	95.8	0.93	0.92	0.91	0.86	14709	3.10	0.75	6.4	58	320	o.r.
5100	1SB8 633-2JA80-0CJ0	2981	345		96.1	96.5	96.3	95.5	0.86	0.89	0.90	0.89	16337	2.00	0.55	4.7	82	280	o.r.
5600	1SB8 634-2JA80-0CJ2	2983	370		96.4	96.7	96.5	95.6	0.88	0.90	0.90	0.90	17927	2.15	0.60	5.1	90	290	o.r.
6200	1SB8 637-2JA80-0CJ0	2984	405		96.6	96.9	96.6	95.8	0.89	0.91	0.91	0.90	19841	2.35	0.65	5.6	99	300	o.r.
6850	1SB8 638-2JA80-0CJ0	2985	450		96.8	97.1	96.8	96.1	0.89	0.91	0.91	0.90	21914	2.40	0.60	5.7	107	310	o.r.
7150	1SB8 712-2JA80-0CJ0	2988	475		96.4	96.5	96.2	95.1	0.87	0.90	0.89	0.88	22851	2.20	0.50	5.2	149	250	o.r.
8050	1SB8 713-2JA80-0CJ0	2987	530		96.7	96.8	96.5	95.6	0.89	0.91	0.90	0.89	25735	2.20	0.60	5.2	160	220	o.r.
8250	1SB8 714-2JA80-0CJ0	2988	540		96.8	96.9	96.6	95.7	0.88	0.91	0.91	0.89	26366	2.15	0.55	5.1	172	260	o.r.
9050	1SB8 716-2JA80-0CJ0	2988	590		96.9	97.1	96.8	96.0	0.88	0.91	0.91	0.89	28923	2.15	0.50	5.1	184	270	o.r.
9700	1SB8 717-2JA80-0CJ0	2988	630		97.0	97.2	96.9	96.1	0.89	0.91	0.91	0.89	31000	2.20	0.50	5.3	199	280	o.r.
10000	1SB8 718-2JA80-0CJ2	2989	640		97.2	97.3	97.0	96.2	0.90	0.92	0.91	0.90	31948	2.45	0.60	5.9	217	310	o.r.
4-pole: n_{sync} = 1500 rpm at 50 Hz																			
1220	1SB7 453-4JA80-0A.2	1485	84		94.9	95.5	95.6	95.3	0.88	0.88	0.86	0.79	7849	2.70	0.80	6.0	17	320	o.r.
1260	1SB7 453-4JA80-0C.2	1488	86		95.1	95.7	95.9	95.5	0.87	0.88	0.86	0.80	8094	2.50	0.60	5.5	23	350	o.r.
1300	1SB7 454-4JA80-0A.2	1485	88		95.1	95.7	95.8	95.4	0.89	0.89	0.86	0.79	8359	2.85	0.80	6.2	19	375	o.r.
1400	1SB7 454-4JA80-0C.2	1488	95		95.2	95.8	96.0	95.7	0.88	0.89	0.87	0.82	8991	2.50	0.60	5.5	26	360	o.r.

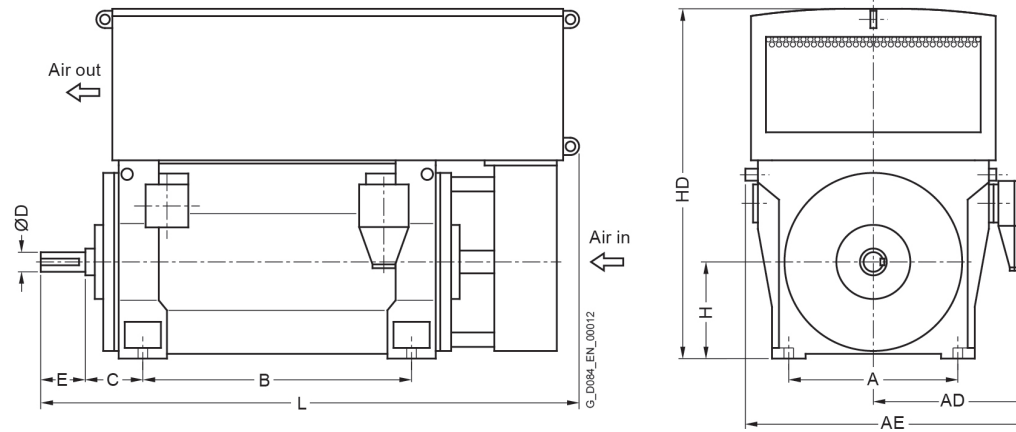
Innomotics HV M - 1SB. IC611 10000 V / 50 Hz B3 (IM 1001)																		
Rated power IEC	Article No.	Speed	Rated current I_R	Efficiency				Power factor				Torque T_R	Breakdown torque T_B/ T_R	Locked torque T_{LR}/ T_R	Locked rotor current I_{LR}/ I_R	Inertia		
				5/4 load	4/4 load	3/4 load	2/4 load	5/4 load	4/4 load	3/4 load	2/4 load					motor	external	Startup max T/TR
kW		rpm	A	%	%	%	%	$\cos \varphi$	$\cos \varphi$	$\cos \varphi$	$\cos \varphi$	Nm	[-]	[-]	[-]	kgm ²	kgm ²	[-]
1650	1SB7 457-4JA80-0C.2	1488	112	95.7	96.2	96.4	96.1	0.89	0.89	0.88	0.83	10592	2.55	0.60	5.8	30	580	o.r.
1480	1SB7 457-4JA80-0A.2	1485	99	95.2	95.9	96.1	96.0	0.89	0.90	0.89	0.85	9526	2.60	0.80	6.2	22	425	o.r.
1800	1SB7 458-4JA80-0C.2	1489	122	95.9	96.3	96.4	96.1	0.89	0.89	0.87	0.81	11546	2.80	0.65	6.0	33	615	o.r.
1620	1SB7 458-4JA80-0A.2	1485	108	95.5	96.1	96.3	96.2	0.90	0.90	0.89	0.85	10422	2.70	0.85	6.5	24	460	o.r.
1940	1SB7 503-4JA80-0A.2	1487	130	95.6	96.1	96.5	96.2	0.88	0.89	0.88	0.85	12475	2.40	0.80	5.3	37	630	o.r.
1960	1SB7 503-4JA80-0C.2	1488	132	95.7	96.2	96.5	96.2	0.88	0.89	0.89	0.86	12592	2.35	0.60	4.9	45	605	o.r.
2140	1SB7 504-4JA80-0C.2	1491	146	96.0	96.4	96.5	95.9	0.88	0.88	0.86	0.79	13718	2.65	0.65	5.6	50	670	o.r.
2000	1SB7 504-4JA80-0A.2	1486	134	95.7	96.2	96.5	96.3	0.88	0.90	0.90	0.87	12860	2.45	0.90	5.5	40	625	o.r.
2330	1SB7 507-4JA80-0C.2	1490	158	96.1	96.5	96.7	96.2	0.87	0.88	0.87	0.82	14943	2.45	0.55	5.2	55	745	o.r.
2260	1SB7 507-4JA80-0A.2	1487	152	95.8	96.4	96.7	96.5	0.88	0.89	0.90	0.87	14533	2.40	0.85	5.5	46	765	o.r.
2530	1SB7 508-4JA80-0C.2	1491	170	96.3	96.7	96.8	96.4	0.89	0.89	0.89	0.84	16215	2.80	0.75	6.0	62	815	o.r.
2520	1SB7 508-4JA80-0A.2	1488	170	96.1	96.6	96.8	96.5	0.89	0.89	0.89	0.85	16185	2.70	1.00	6.2	50	800	o.r.
2800	1SB7 563-4JA80-0C.2	1492	188	96.5	96.7	97.0	96.6	0.88	0.89	0.87	0.83	17937	2.45	0.65	6.0	80	825	o.r.
3350	1SB7 564-4JA80-0C.2	1491	224	96.5	96.9	97.1	96.9	0.88	0.89	0.89	0.86	21478	2.25	0.60	5.4	90	945	o.r.
3600	1SB7 566-4JA80-0C.2	1492	238	96.7	97.0	97.2	96.9	0.89	0.90	0.89	0.86	23062	2.50	0.75	6.1	100	975	o.r.
4150	1SB7 567-4JA80-0C.2	1491	274	96.8	97.1	97.4	97.1	0.89	0.90	0.90	0.86	26587	2.50	0.75	6.1	110	995	o.r.
4500	1SB7 568-4JA80-0C.2	1492	300	97.0	97.2	97.4	97.1	0.90	0.89	0.89	0.84	28809	2.60	0.75	6.4	119	1015	o.r.
5050	1SB8 633-4JA80-0C.0	1492	340	96.5	96.8	96.7	96.1	0.88	0.89	0.87	0.82	32322	2.50	0.60	5.9	151	780	o.r.
5600	1SB8 634-4JA80-0C.2	1492	370	96.7	96.9	96.9	96.3	0.89	0.90	0.88	0.84	35842	2.50	0.60	6.0	166	1060	o.r.
6150	1SB8 637-4JA80-0C.0	1492	410	96.8	97.1	97.0	96.4	0.88	0.89	0.87	0.81	39362	2.60	0.55	6.0	181	950	o.r.
6750	1SB8 638-4JA80-0C.0	1492	450	97.0	97.2	97.1	96.6	0.88	0.89	0.87	0.81	43202	2.45	0.50	6.0	196	1060	o.r.
7050	1SB8 712-4JA80-0C.0	1491	465	96.7	97.1	97.2	96.8	0.88	0.90	0.90	0.88	45153	2.25	0.50	5.4	259	960	o.r.
7650	1SB8 713-4JA80-0C.0	1492	500	96.9	97.3	97.3	96.9	0.89	0.91	0.90	0.88	48963	2.40	0.50	5.7	284	1040	o.r.
8350	1SB8 714-4JA80-0C.0	1492	540	97.0	97.4	97.4	97.0	0.90	0.91	0.91	0.88	53443	2.50	0.55	6.0	312	1120	o.r.
9250	1SB8 717-4JA80-0C.0	1492	600	97.2	97.5	97.5	97.1	0.90	0.91	0.91	0.88	59203	2.55	0.55	6.0	345	1260	o.r.
9450	1SB8 718-4JA80-0C.0	1493	610	97.2	97.5	97.5	97.1	0.90	0.91	0.90	0.87	60443	2.60	0.50	6.0	362	1450	o.r.
6-pole: n_{sync} = 1000 rpm at 50 Hz																		
860	1SB7 452-6JA80-0A.2	990	61	94.3	95.1	95.3	95.1	0.85	0.85	0.81	0.72	8298	2.35	0.80	5.4	20	510	o.r.
880	1SB7 452-6JA80-0C.2	990	62	94.1	95.0	95.3	95.2	0.85	0.86	0.83	0.75	8492	2.35	0.65	5.0	27	645	o.r.
930	1SB7 453-6JA80-0A.0	990	66	94.4	95.1	95.4	95.2	0.85	0.85	0.82	0.73	8973	2.40	0.80	5.7	22	525	o.r.
950	1SB7 453-6JA80-0C.0	990	67	94.3	95.1	95.4	95.3	0.85	0.86	0.83	0.76	9169	2.40	0.65	5.2	30	650	o.r.
1010	1SB7 454-6JA80-0A.2	990	71	94.5	95.3	95.6	95.4	0.85	0.86	0.83	0.74	9744	2.50	0.85	5.7	24	600	o.r.
1020	1SB7 454-6JA80-0C.2	990	72	94.5	95.3	95.6	95.5	0.86	0.86	0.84	0.76	9843	2.50	0.70	5.4	33	770	o.r.
1120	1SB7 457-6JA80-0A.2	990	78	94.8	95.5	95.8	95.7	0.86	0.87	0.84	0.76	10806	2.50	0.85	5.5	28	670	o.r.
1120	1SB7 457-6JA80-0C.2	990	78	94.8	95.5	95.8	95.7	0.86	0.87	0.85	0.78	10807	2.50	0.70	5.5	36	880	o.r.
1250	1SB7 458-6JA80-0A.2	990	87	94.9	95.6	96.0	96.0	0.87	0.87	0.85	0.78	12062	2.50	0.85	5.5	31	690	o.r.
1250	1SB7 458-6JA80-0C.2	990	87	94.9	95.6	96.0	95.9	0.87	0.87	0.85	0.79	12063	2.50	0.70	5.5	41	895	o.r.

Innomotics HV M - 1SB. IC611 10000 V / 50 Hz B3 (IM 1001)																		
Rated power IEC	Article No.	Speed	Rated current I_R	Efficiency				Power factor				Torque T_R	Breakdown torque T_B/ T_R	Locked rotor torque T_{LR}/ T_R	Locked rotor current I_{LR}/ I_R	Inertia		
				5/4 load	4/4 load	3/4 load	2/4 load	5/4 load	4/4 load	3/4 load	2/4 load					motor	external	Startup max T/TR
kW		rpm	A	%	%	%	%	cos φ	cos φ	cos φ	cos φ	Nm	[-]	[-]	[-]	kgm ²	kgm ²	[-]
1550	1SB7 503-6JA80-0A.2	991	97	95.1	96.0	96.3	96.2	0.85	0.86	0.86	0.81	14955	2.15	0.80	4.6	46	1080	o.r.
1700	1SB7 504-6JA80-0A.2	991	110	95.4	96.1	96.4	96.4	0.86	0.86	0.85	0.80	16390	2.30	0.90	5.0	51	1280	o.r.
1950	1SB7 507-6JA80-0A.2	991	124	95.7	96.2	96.6	96.5	0.86	0.86	0.85	0.79	18794	2.40	0.95	5.2	58	1560	o.r.
2050	1SB7 508-6JA80-0A.2	991	138	95.8	96.3	96.6	96.4	0.87	0.86	0.85	0.78	19753	2.55	1.00	5.6	63	1540	o.r.
2240	1SB7 561-6JA80-0C.2	994	156	95.9	96.2	96.4	96.0	0.85	0.86	0.81	0.75	21531	2.10	0.65	6.0	97	2095	o.r.
2600	1SB7 562-6JA80-0C.2	993	182	95.7	96.3	96.2	95.8	0.85	0.86	0.83	0.78	25011	2.10	0.60	6.0	105	1890	o.r.
2650	1SB7 563-6JA80-0C.2	993	184	95.8	96.4	96.5	96.2	0.85	0.86	0.86	0.82	25514	2.00	0.60	5.5	113	1725	o.r.
3000	1SB7 564-6JA80-0C.2	994	210	96.2	96.5	96.5	96.2	0.86	0.86	0.83	0.77	28898	2.00	0.60	6.0	124	2065	o.r.
3300	1SB7 567-6JA80-0C.2	993	230	96.3	96.6	96.8	96.5	0.86	0.86	0.85	0.80	31736	2.00	0.60	6.0	137	3135	o.r.
3550	1SB7 568-6JA80-0C.2	994	245	96.5	96.8	96.9	96.7	0.86	0.86	0.84	0.78	34108	2.20	0.65	6.0	151	2955	o.r.
4000	1SB8 632-6JA80-0C.2	993	280	96.1	96.5	96.6	96.0	0.85	0.86	0.83	0.75	38466	2.35	0.60	5.4	193	2320	o.r.
4150	1SB8 633-6JA80-0C.0	993	285	96.3	96.6	96.7	96.1	0.85	0.87	0.83	0.75	39909	2.45	0.60	5.5	209	2630	o.r.
4500	1SB8 634-6JA80-0C.2	993	310	96.4	96.7	96.8	96.3	0.86	0.87	0.84	0.77	43275	2.45	0.60	5.5	227	2870	o.r.
4800	1SB8 637-6JA80-0C.0	993	330	96.5	96.8	96.9	96.3	0.86	0.87	0.84	0.77	46160	2.50	0.60	5.5	247	3230	o.r.
5000	1SB8 638-6JA80-0C.2	994	340	96.6	96.9	96.9	96.3	0.86	0.87	0.83	0.74	48035	2.55	0.60	5.5	264	3730	o.r.
5700	1SB8 712-6JA80-0C.0	994	390	96.7	97.1	97.2	96.7	0.86	0.87	0.84	0.77	54760	2.40	0.55	5.5	331	2880	o.r.
6300	1SB8 713-6JA80-0C.2	994	430	96.9	97.2	97.3	96.9	0.86	0.87	0.85	0.79	60524	2.45	0.60	5.5	374	3260	o.r.
6900	1SB8 714-6JA80-0C.0	994	465	97.0	97.3	97.4	97.0	0.87	0.88	0.86	0.79	66288	2.50	0.55	5.5	423	3810	o.r.
7450	1SB8 717-6JA80-0C.0	994	500	97.0	97.4	97.5	97.2	0.87	0.88	0.87	0.82	71572	2.30	0.50	5.5	476	4530	o.r.
8150	1SB8 718-6JA80-0C.0	995	550	97.2	97.5	97.5	97.2	0.87	0.88	0.85	0.79	78218	2.45	0.50	5.5	520	5150	o.r.
8-pole: n_{sync} = 750 rpm at 50 Hz																		
580	1SB7 451-8JA80-0A.0	741	44	93.4	94.4	94.8	94.6	0.81	0.81	0.75	0.64	7472	2.05	0.70	5.3	23	600	o.r.
630	1SB7 452-8JA80-0A.0	741	47	93.4	94.5	94.9	94.8	0.82	0.82	0.77	0.66	8115	2.10	0.70	5.5	25	610	o.r.
720	1SB7 453-8JA80-0A.2	742	54	94.1	95.0	95.3	95.1	0.81	0.81	0.75	0.64	9272	2.25	0.75	5.5	28	940	o.r.
820	1SB7 454-8JA80-0A.2	743	63	94.6	95.3	95.4	95.2	0.81	0.79	0.72	0.58	10545	2.45	0.85	5.4	31	1300	o.r.
900	1SB7 457-8JA80-0A.2	743	68	94.7	95.4	95.6	95.4	0.81	0.80	0.73	0.60	11574	2.50	0.85	5.5	35	1400	o.r.
1000	1SB7 458-8JA80-0A.2	743	76	94.8	95.5	95.7	95.4	0.82	0.80	0.74	0.61	12861	2.55	0.85	5.5	39	1430	o.r.
1120	1SB7 502-8JA80-0C.2	743	81	94.9	95.7	96.1	96.1	0.82	0.83	0.81	0.73	14406	2.15	0.55	4.1	59	2040	o.r.
1220	1SB7 503-8JA80-0A.2	743	89	95.1	95.8	96.2	96.2	0.82	0.83	0.80	0.73	15693	2.10	0.80	4.3	51	2290	o.r.
1250	1SB7 503-8JA80-0C.2	742	91	95.0	95.8	96.2	96.3	0.82	0.83	0.82	0.75	16095	2.10	0.55	4.0	65	2130	o.r.
1280	1SB7 504-8JA80-0A.2	743	93	95.3	95.9	96.3	96.3	0.83	0.83	0.80	0.73	16457	2.20	0.85	4.5	56	2100	o.r.
1300	1SB7 504-8JA80-0C.2	743	93	95.2	95.9	96.3	96.3	0.84	0.84	0.81	0.74	16722	2.25	0.60	4.3	72	2330	o.r.
1400	1SB7 507-8JA80-0A.2	744	102	95.4	96.1	96.4	96.4	0.83	0.83	0.80	0.74	17995	2.25	0.85	4.7	63	2370	o.r.
1480	1SB7 507-8JA80-0C.2	743	106	95.4	96.0	96.4	96.5	0.83	0.84	0.82	0.75	19039	2.20	0.65	4.3	80	2970	o.r.
1600	1SB7 508-8JA80-0A.2	744	116	95.6	96.2	96.5	96.4	0.82	0.83	0.81	0.73	20561	2.30	0.90	4.7	69	2680	o.r.
1620	1SB7 508-8JA80-0C.2	743	116	95.7	96.2	96.5	96.5	0.83	0.84	0.81	0.74	20824	2.35	0.65	4.5	88	3340	o.r.
1880	1SB7 563-8JA80-0C.2	744	136	95.5	96.1	96.4	96.2	0.83	0.83	0.81	0.75	24144	2.10	0.60	4.6	124	3020	o.r.

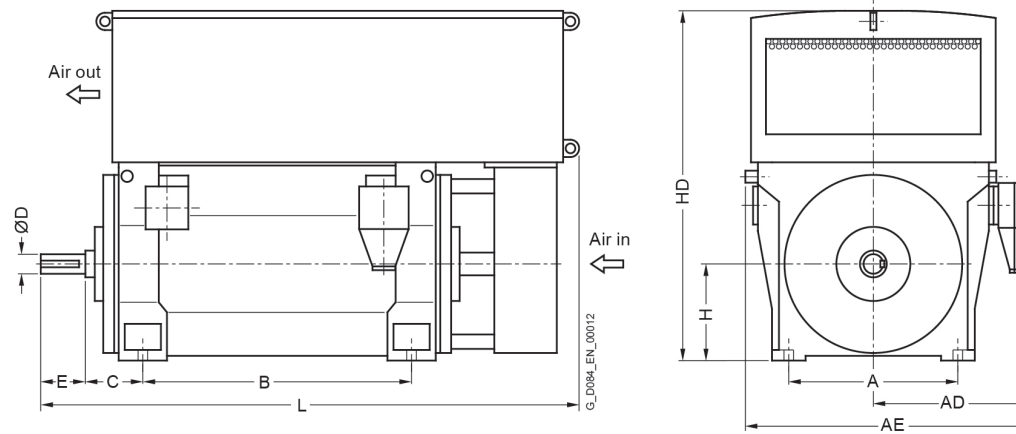
Innomotics HV M - 1SB. IC611 10000 V / 50 Hz B3 (IM 1001)																		
Rated power IEC	Article No.	Speed	Rated current I_R	Efficiency				Power factor				Torque T_R	Breakdown torque T_B / T_R	Locked rotor torque T_{LR} / T_R	Locked rotor current I_{LR} / I_R	Inertia		
				5/4 load	4/4 load	3/4 load	2/4 load	5/4 load	4/4 load	3/4 load	2/4 load					motor	external	Startup max T/TR
kW		rpm	A	%	%	%	%	$\cos \varphi$	$\cos \varphi$	$\cos \varphi$	$\cos \varphi$	Nm	[-]	[-]	[-]	kgm ²	kgm ²	[-]
2080	1SB7 564-8JA80-0C.2	744	150	95.8	96.3	96.5	96.2	0.83	0.83	0.81	0.74	26711	2.20	0.65	4.9	137	3650	o.r.
2300	1SB7 567-8JA80-0C.2	744	164	95.9	96.4	96.7	96.5	0.83	0.84	0.82	0.76	29553	2.10	0.60	4.7	150	4935	o.r.
2550	1SB7 568-8JA80-0C.2	744	182	96.1	96.6	96.8	96.6	0.83	0.84	0.82	0.75	32757	2.20	0.60	4.8	165	6225	o.r.
2800	1SB8 633-8JA80-0C.2	744	198	95.4	95.9	95.9	95.4	0.85	0.85	0.81	0.72	35938	2.15	0.45	4.7	216	2980	o.r.
3250	1SB8 634-8JA80-0C.0	744	230	95.7	96.2	96.2	95.7	0.85	0.85	0.81	0.73	41714	2.20	0.50	4.8	251	4820	o.r.
3600	1SB8 637-8JA80-0C.0	745	255	96.0	96.4	96.3	95.7	0.85	0.84	0.79	0.68	46144	2.40	0.50	5.1	291	5730	o.r.
3800	1SB8 638-8JA80-0C.0	745	270	96.2	96.5	96.3	95.7	0.85	0.84	0.78	0.67	48708	2.50	0.55	5.5	324	6970	o.r.
4250	1SB8 713-8JA80-0C.0	746	275	96.3	96.7	96.7	96.3	0.87	0.87	0.83	0.74	54403	2.40	0.55	5.2	471	4400	o.r.
4800	1SB8 714-8JA80-0C.0	746	310	96.5	96.8	96.8	96.4	0.86	0.86	0.82	0.74	61443	2.40	0.50	5.1	536	4580	o.r.
5250	1SB8 717-8JA80-0C.0	746	340	96.6	97.0	97.0	96.7	0.87	0.88	0.84	0.77	67203	2.40	0.55	5.2	616	5990	o.r.
5500	1SB8 718-8JA80-0C.0	746	370	96.7	97.0	97.1	96.7	0.88	0.88	0.84	0.77	70404	2.50	0.60	5.5	680	6130	o.r.



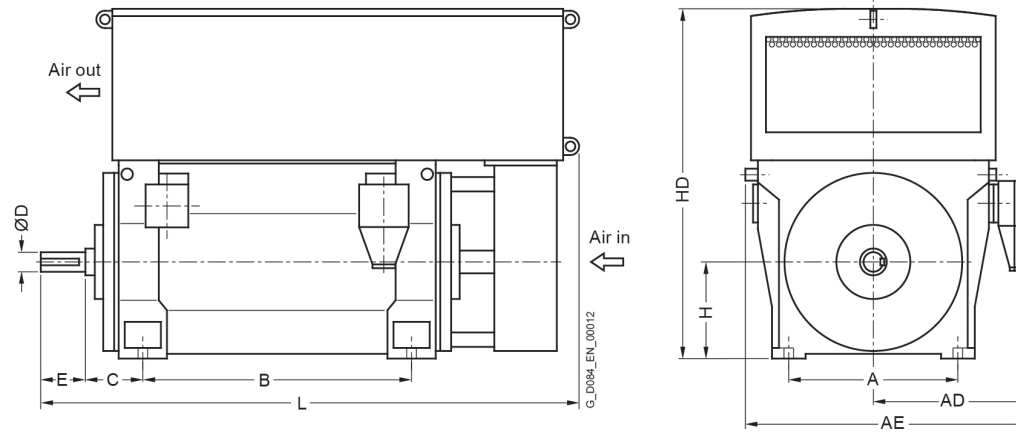
Motor type	Weight	Dimensions										
		A	AD	AE	B	C	D	E	H	HD	L	ML
	kg	mm	mm	mm	mm	mm	mm	mm	mm	mm	mm	mm
Innomotics HV M - 1SB. IC611 10000 V / 50 Hz B3 (IM 1001) - Dimension drawings												
2-pole												
1SB7 453-2JA80-0AA2	4700	850	1140	1760	1180	250	95	130	450	1920	2650	200
1SB7 453-2JA80-0AC2	4600	850	1140	1760	1180	475	95	130	450	1920	2880	200
1SB7 453-2JA80-0CA2	4850	850	1140	1760	1180	250	95	130	450	1920	2650	200
1SB7 453-2JA80-0CC2	4750	850	1140	1760	1180	475	95	130	450	1920	2880	200
1SB7 454-2JA80-0CA2	4950	850	1140	1760	1180	250	95	130	450	1920	2650	200
1SB7 454-2JA80-0CC2	4850	850	1140	1760	1180	475	95	130	450	1920	2880	200
1SB7 454-2JA80-0AA2	4800	850	1140	1760	1180	250	95	130	450	1920	2650	200
1SB7 454-2JA80-0AC2	4700	850	1140	1760	1180	475	95	130	450	1920	2880	200
1SB7 457-2JA80-0AA2	5300	850	1140	1760	1400	250	95	130	450	1920	2860	200
1SB7 457-2JA80-0AC2	5150	850	1140	1760	1400	475	95	130	450	1920	3090	200
1SB7 457-2JA80-0CA2	5450	850	1140	1760	1400	250	95	130	450	1920	2860	200
1SB7 457-2JA80-0CC2	5350	850	1140	1760	1400	475	95	130	450	1920	3090	200
1SB7 458-2JA80-0AA2	5500	850	1140	1760	1400	250	95	130	450	1920	2860	200
1SB7 458-2JA80-0AC2	5350	850	1140	1760	1400	475	95	130	450	1920	3090	200
1SB7 458-2JA80-0CA2	5650	850	1140	1760	1400	250	95	130	450	1920	2860	200
1SB7 458-2JA80-0CC2	5550	850	1140	1760	1400	475	95	130	450	1920	3090	200
1SB7 503-2JA80-0AA2	6450	950	1220	1920	1320	250	110	165	500	2230	2920	250
1SB7 503-2JA80-0AC2	6400	950	1220	1920	1320	530	120	165	500	2230	3200	250
1SB7 503-2JA80-0CA2	6600	950	1220	1920	1320	250	110	165	500	2230	2920	250
1SB7 503-2JA80-0CC2	6550	950	1220	1920	1320	530	120	165	500	2230	3200	250
1SB7 504-2JA80-0AA2	6550	950	1220	1920	1320	250	110	165	500	2230	2920	250
1SB7 504-2JA80-0AC2	6500	950	1220	1920	1320	530	120	165	500	2230	3200	250



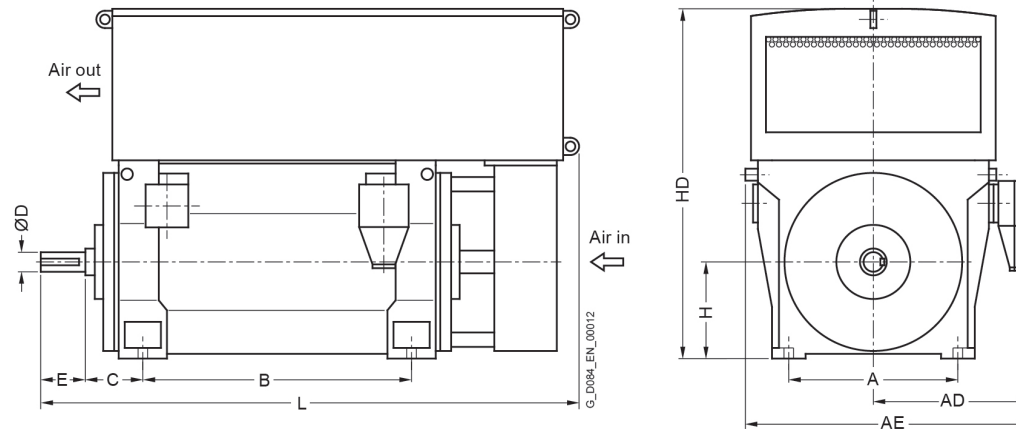
Motor type	Weight	Dimensions												
		A	AD	AE	B	C	D	E	H	HD	L	ML		
	kg	mm	mm	mm	mm	mm	mm	mm	mm	mm	mm	mm	mm	
Innomotics HV M - 1SB. IC611 10000 V / 50 Hz B3 (IM 1001) - Dimension drawings														
1SB7 504-2JA80-0CA2	6700	950	1220	1920	1320	250	110	165	500	2230	2920	250		
1SB7 504-2JA80-0CC2	6600	950	1220	1920	1320	530	120	165	500	2230	3200	250		
1SB7 507-2JA80-0AA2	7250	950	1220	1920	1500	250	110	165	500	2230	3130	250		
1SB7 507-2JA80-0AC2	7150	950	1220	1920	1500	530	120	165	500	2230	3410	250		
1SB7 507-2JA80-0CA2	7400	950	1220	1920	1500	250	110	165	500	2230	3130	250		
1SB7 507-2JA80-0CC2	7300	950	1220	1920	1500	530	120	165	500	2230	3410	250		
1SB7 508-2JA80-0CA2	7750	950	1220	1920	1500	250	110	165	500	2230	3130	250		
1SB7 508-2JA80-0CC2	7700	950	1220	1920	1500	530	120	165	500	2230	3410	250		
1SB7 508-2JA80-0AA2	7600	950	1220	1920	1500	250	110	165	500	2230	3130	250		
1SB7 508-2JA80-0AC2	7550	950	1220	1920	1500	530	120	165	500	2230	3410	250		
1SB7 562-2JA80-0CC2	8250	1060	1290	2060	1400	600	150	200	560	2350	3450	300		
1SB7 563-2JA80-0CC2	8550	1060	1290	2060	1400	600	150	200	560	2350	3450	300		
1SB7 564-2JA80-0CC2	8800	1060	1290	2060	1400	600	150	200	560	2350	3450	300		
1SB7 567-2JA80-0CC2	9750	1060	1290	2060	1600	600	150	200	560	2350	3680	300		
1SB7 568-2JA80-0CC2	10250	1060	1290	2060	1600	600	150	200	560	2350	3680	300		
1SB8 633-2JA80-0CJ0	10650	1320	1520	2520	1600	560	160	240	630	2710	3680	350		
1SB8 634-2JA80-0CJ2	11150	1320	1520	2520	1600	560	160	240	630	2710	3680	350		
1SB8 637-2JA80-0CJ0	12050	1320	1520	2520	1800	560	160	240	630	2710	3880	350		
1SB8 638-2JA80-0CJ0	12650	1320	1520	2520	1800	560	160	240	630	2710	3880	350		
1SB8 712-2JA80-0CJ0	14450	1500	1620	2720	2000	560	180	240	710	3090	4400	400		
1SB8 713-2JA80-0CJ0	15150	1500	1620	2720	2000	560	180	240	710	3090	4400	400		
1SB8 714-2JA80-0CJ0	15850	1500	1620	2720	2000	560	180	240	710	3090	4400	400		
1SB8 716-2JA80-0CJ0	17000	1500	1620	2720	2240	560	180	240	710	3090	4640	400		



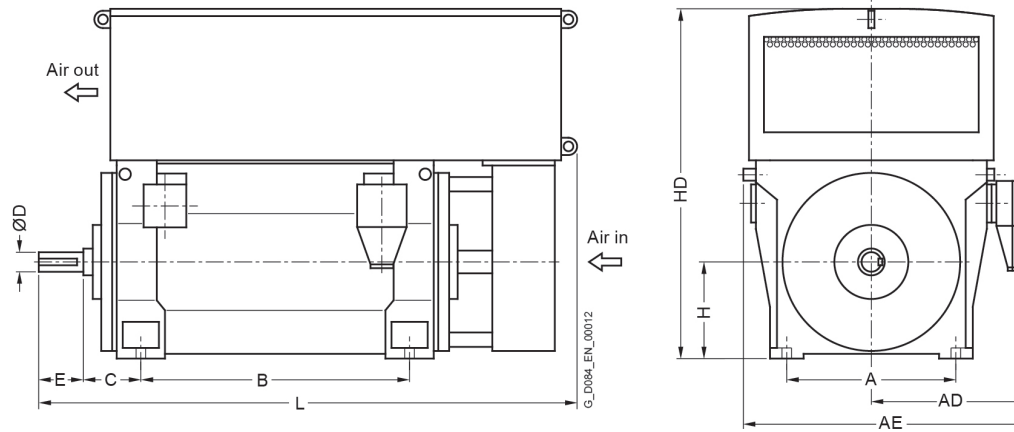
Motor type	Weight	Dimensions											
		A	AD	AE	B	C	D	E	H	HD	L	ML	
	kg	mm	mm	mm	mm	mm	mm	mm	mm	mm	mm	mm	mm
Innomotics HV M - 1SB. IC611 10000 V / 50 Hz B3 (IM 1001) - Dimension drawings													
1SB8 717-2JA80-0CJ0	17750	1500	1620	2720	2240	560	180	240	710	3090	4640	400	
1SB8 718-2JA80-0CJ2	18700	1500	1620	2720	2240	560	180	240	710	3090	4640	400	
4-pole													
1SB7 453-4JA80-0AA2	4700	850	1140	1760	1180	250	130	200	450	1920	2720	200	
1SB7 453-4JA80-0AC2	4700	850	1140	1760	1180	500	130	200	450	1920	2970	200	
1SB7 453-4JA80-0CA2	4850	850	1140	1760	1180	250	130	200	450	1920	2720	200	
1SB7 453-4JA80-0CC2	4850	850	1140	1760	1180	500	130	200	450	1920	2970	200	
1SB7 454-4JA80-0AA2	4850	850	1140	1760	1180	250	130	200	450	1920	2720	200	
1SB7 454-4JA80-0AC2	4850	850	1140	1760	1180	500	130	200	450	1920	2970	200	
1SB7 454-4JA80-0CA2	5000	850	1140	1760	1180	250	130	200	450	1920	2720	200	
1SB7 454-4JA80-0CC2	5050	850	1140	1760	1180	500	130	200	450	1920	2970	200	
1SB7 457-4JA80-0CA2	5700	850	1140	1760	1400	250	130	200	450	1920	2930	200	
1SB7 457-4JA80-0CC2	5700	850	1140	1760	1400	500	130	200	450	1920	3180	200	
1SB7 457-4JA80-0AA2	5450	850	1140	1760	1400	250	130	200	450	1920	2930	200	
1SB7 457-4JA80-0AC2	5450	850	1140	1760	1400	500	130	200	450	1920	3180	200	
1SB7 458-4JA80-0CA2	5900	850	1140	1760	1400	250	130	200	450	1920	2930	200	
1SB7 458-4JA80-0CC2	5900	850	1140	1760	1400	500	130	200	450	1920	3180	200	
1SB7 458-4JA80-0AA2	5700	850	1140	1760	1400	250	130	200	450	1920	2930	200	
1SB7 458-4JA80-0AC2	5700	850	1140	1760	1400	500	130	200	450	1920	3180	200	
1SB7 503-4JA80-0AA2	6750	950	1220	1920	1320	315	160	240	500	2230	3060	250	
1SB7 503-4JA80-0AC2	6800	950	1220	1920	1320	560	170	240	500	2230	3300	250	
1SB7 503-4JA80-0CA2	6850	950	1220	1920	1320	315	160	240	500	2230	3060	250	
1SB7 503-4JA80-0CC2	6900	950	1220	1920	1320	560	170	240	500	2230	3300	250	



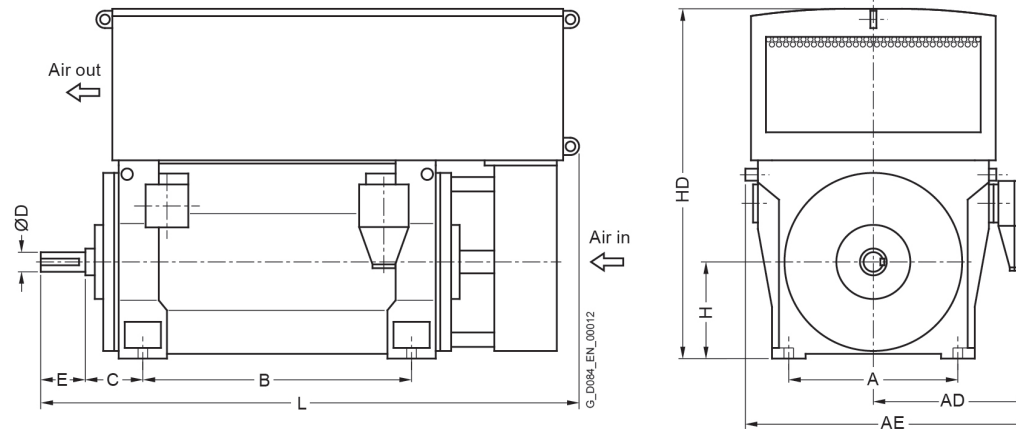
Motor type	Weight	Dimensions											
		A	AD	AE	B	C	D	E	H	HD	L	ML	
	kg	mm	mm	mm	mm	mm	mm	mm	mm	mm	mm	mm	mm
Innomotics HV M - 1SB. IC611 10000 V / 50 Hz B3 (IM 1001) - Dimension drawings													
1SB7 504-4JA80-0CA2	7100	950	1220	1920	1320	315	160	240	500	2230	3060	250	
1SB7 504-4JA80-0CC2	7150	950	1220	1920	1320	560	170	240	500	2230	3300	250	
1SB7 504-4JA80-0AA2	6950	950	1220	1920	1320	315	160	240	500	2230	3060	250	
1SB7 504-4JA80-0AC2	7000	950	1220	1920	1320	560	170	240	500	2230	3300	250	
1SB7 507-4JA80-0CA2	7800	950	1220	1920	1500	315	160	240	500	2230	3270	250	
1SB7 507-4JA80-0CC2	7850	950	1220	1920	1500	560	170	240	500	2230	3510	250	
1SB7 507-4JA80-0AA2	7650	950	1220	1920	1500	315	160	240	500	2230	3270	250	
1SB7 507-4JA80-0AC2	7700	950	1220	1920	1500	560	170	240	500	2230	3510	250	
1SB7 508-4JA80-0CA2	8150	950	1220	1920	1500	315	160	240	500	2230	3270	250	
1SB7 508-4JA80-0CC2	8200	950	1220	1920	1500	560	170	240	500	2230	3510	250	
1SB7 508-4JA80-0AA2	8000	950	1220	1920	1500	315	160	240	500	2230	3270	250	
1SB7 508-4JA80-0AC2	8050	950	1220	1920	1500	560	170	240	500	2230	3510	250	
1SB7 563-4JA80-0CA2	8550	1060	1290	2060	1400	335	190	280	560	2350	3260	300	
1SB7 563-4JA80-0CC2	8600	1060	1290	2060	1400	600	190	280	560	2350	3530	300	
1SB7 564-4JA80-0CA2	9000	1060	1290	2060	1400	335	190	280	560	2350	3260	300	
1SB7 564-4JA80-0CC2	9050	1060	1290	2060	1400	600	190	280	560	2350	3530	300	
1SB7 566-4JA80-0CA2	9850	1060	1290	2060	1600	335	190	280	560	2350	3490	300	
1SB7 566-4JA80-0CC2	9900	1060	1290	2060	1600	600	190	280	560	2350	3760	300	
1SB7 567-4JA80-0CA2	10350	1060	1290	2060	1600	335	190	280	560	2350	3490	300	
1SB7 567-4JA80-0CC2	10400	1060	1290	2060	1600	600	190	280	560	2350	3760	300	
1SB7 568-4JA80-0CA2	10750	1060	1290	2060	1600	335	190	280	560	2350	3490	300	
1SB7 568-4JA80-0CC2	10800	1060	1290	2060	1600	600	190	280	560	2350	3760	300	
1SB8 633-4JA80-0CG0	11300	1320	1520	2520	1600	375	200	280	630	2710	3530	350	



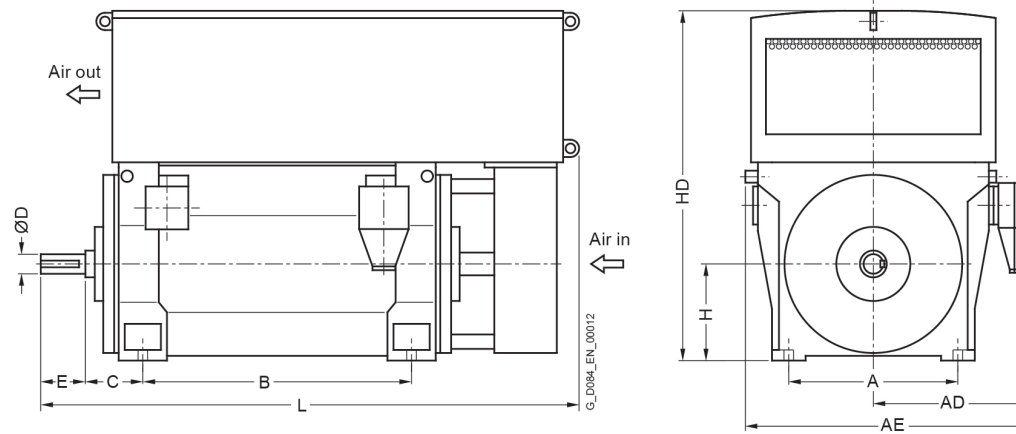
Motor type	Weight	Dimensions												
		A	AD	AE	B	C	D	E	H	HD	L	ML		
	kg	mm	mm	mm	mm	mm	mm	mm	mm	mm	mm	mm	mm	
Innomotics HV M - 1SB. IC611 10000 V / 50 Hz B3 (IM 1001) - Dimension drawings														
1SB8 633-4JA80-0CJ0	11400	1320	1520	2520	1600	630	200	280	630	2710	3790	350		
1SB8 634-4JA80-0CG2	11850	1320	1520	2520	1600	375	200	280	630	2710	3530	350		
1SB8 634-4JA80-0CJ2	12000	1320	1520	2520	1600	630	200	280	630	2710	3790	350		
1SB8 637-4JA80-0CG0	12750	1320	1520	2520	1800	375	200	280	630	2710	3730	350		
1SB8 637-4JA80-0CJ0	12900	1320	1520	2520	1800	630	200	280	630	2710	3990	350		
1SB8 638-4JA80-0CG0	13350	1320	1520	2520	1800	375	200	280	630	2710	3730	350		
1SB8 638-4JA80-0CJ0	13500	1320	1520	2520	1800	630	200	280	630	2710	3990	350		
1SB8 712-4JA80-0CG0	15450	1500	1620	2720	2000	375	220	280	710	3090	3980	400		
1SB8 712-4JA80-0CJ0	15550	1500	1620	2720	2000	630	220	280	710	3090	4230	400		
1SB8 713-4JA80-0CG0	16150	1500	1620	2720	2000	375	220	280	710	3090	3980	400		
1SB8 713-4JA80-0CJ0	16250	1500	1620	2720	2000	630	220	280	710	3090	4230	400		
1SB8 714-4JA80-0CG0	16900	1500	1620	2720	2000	375	220	280	710	3090	3980	400		
1SB8 714-4JA80-0CJ0	17000	1500	1620	2720	2000	630	220	280	710	3090	4230	400		
1SB8 717-4JA80-0CG0	18250	1500	1620	2720	2240	375	220	280	710	3090	4220	400		
1SB8 717-4JA80-0CJ0	18400	1500	1620	2720	2240	630	220	280	710	3090	4470	400		
1SB8 718-4JA80-0CG0	18750	1500	1620	2720	2240	375	220	280	710	3090	4220	400		
1SB8 718-4JA80-0CJ0	18850	1500	1620	2720	2240	630	220	280	710	3090	4470	400		
6-pole														
1SB7 452-6JA80-0AA2	4550	850	1140	1760	1180	250	130	200	450	1920	2720	200		
1SB7 452-6JA80-0AC2	4600	850	1140	1760	1180	500	130	200	450	1920	2970	200		
1SB7 452-6JA80-0CA2	4700	850	1140	1760	1180	250	130	200	450	1920	2720	200		
1SB7 452-6JA80-0CC2	4700	850	1140	1760	1180	500	130	200	450	1920	2970	200		
1SB7 453-6JA80-0AA0	4700	850	1140	1760	1180	250	130	200	450	1920	2720	200		



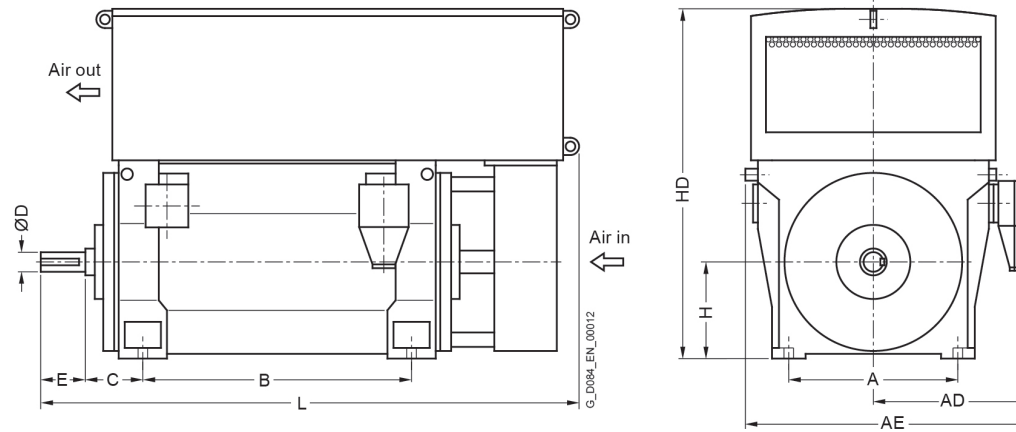
Motor type	Weight	Dimensions												
		A	AD	AE	B	C	D	E	H	HD	L	ML		
	kg	mm	mm	mm	mm	mm	mm	mm	mm	mm	mm	mm	mm	
Innomotics HV M - 1SB. IC611 10000 V / 50 Hz B3 (IM 1001) - Dimension drawings														
1SB7 453-6JA80-0AC0	4700	850	1140	1760	1180	500	130	200	450	1920	2970	200		
1SB7 453-6JA80-0CA0	4850	850	1140	1760	1180	250	130	200	450	1920	2720	200		
1SB7 453-6JA80-0CC0	4850	850	1140	1760	1180	500	130	200	450	1920	2970	200		
1SB7 454-6JA80-0AA2	4900	850	1140	1760	1180	250	130	200	450	1920	2720	200		
1SB7 454-6JA80-0AC2	4900	850	1140	1760	1180	500	130	200	450	1920	2970	200		
1SB7 454-6JA80-0CA2	5050	850	1140	1760	1180	250	130	200	450	1920	2720	200		
1SB7 454-6JA80-0CC2	5050	850	1140	1760	1180	500	130	200	450	1920	2970	200		
1SB7 457-6JA80-0AA2	5350	850	1140	1760	1400	250	130	200	450	1920	2930	200		
1SB7 457-6JA80-0AC2	5400	850	1140	1760	1400	500	130	200	450	1920	3180	200		
1SB7 457-6JA80-0CA2	5550	850	1140	1760	1400	250	130	200	450	1920	2930	200		
1SB7 457-6JA80-0CC2	5550	850	1140	1760	1400	500	130	200	450	1920	3180	200		
1SB7 458-6JA80-0AA2	5650	850	1140	1760	1400	250	130	200	450	1920	2930	200		
1SB7 458-6JA80-0AC2	5650	850	1140	1760	1400	500	130	200	450	1920	3180	200		
1SB7 458-6JA80-0CA2	5850	850	1140	1760	1400	250	130	200	450	1920	2930	200		
1SB7 458-6JA80-0CC2	5850	850	1140	1760	1400	500	130	200	450	1920	3180	200		
1SB7 503-6JA80-0AA2	6850	950	1220	1920	1320	315	160	240	500	2230	3060	250		
1SB7 503-6JA80-0AC2	6850	950	1220	1920	1320	560	170	240	500	2230	3300	250		
1SB7 504-6JA80-0AA2	7100	950	1220	1920	1320	315	160	240	500	2230	3060	250		
1SB7 504-6JA80-0AC2	7100	950	1220	1920	1320	560	170	240	500	2230	3300	250		
1SB7 507-6JA80-0AA2	7800	950	1220	1920	1500	315	160	240	500	2230	3270	250		
1SB7 507-6JA80-0AC2	7850	950	1220	1920	1500	560	170	240	500	2230	3510	250		
1SB7 508-6JA80-0AA2	8100	950	1220	1920	1500	315	160	240	500	2230	3270	250		
1SB7 508-6JA80-0AC2	8100	950	1220	1920	1500	560	170	240	500	2230	3510	250		



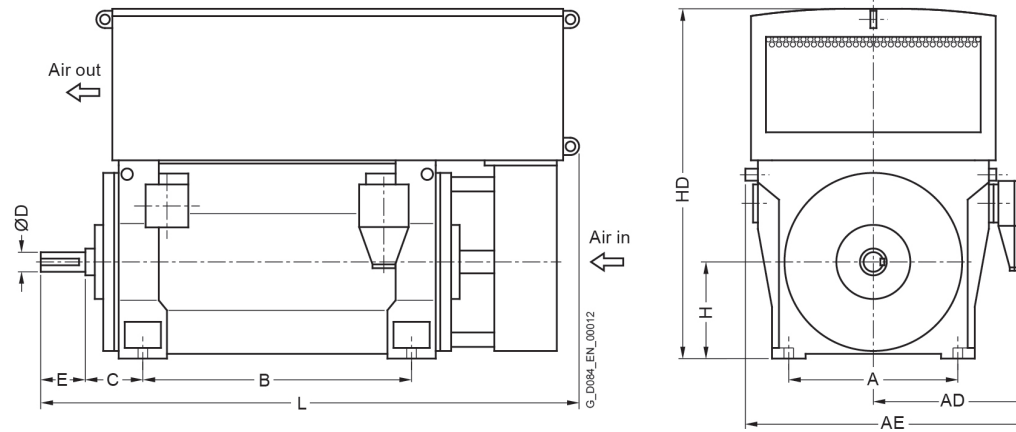
Motor type	Weight	Dimensions												
		A	AD	AE	B	C	D	E	H	HD	L	ML		
	kg	mm	mm	mm	mm	mm	mm	mm	mm	mm	mm	mm	mm	
Innomotics HV M - 1SB. IC611 10000 V / 50 Hz B3 (IM 1001) - Dimension drawings														
1SB7 561-6JA80-0CA2	8500	1060	1290	2060	1400	335	190	280	560	2350	3260	300		
1SB7 561-6JA80-0CC2	8500	1060	1290	2060	1400	600	190	280	560	2350	3530	300		
1SB7 562-6JA80-0CA2	8800	1060	1290	2060	1400	335	190	280	560	2350	3260	300		
1SB7 562-6JA80-0CC2	8850	1060	1290	2060	1400	600	190	280	560	2350	3530	300		
1SB7 563-6JA80-0CA2	9050	1060	1290	2060	1400	335	190	280	560	2350	3260	300		
1SB7 563-6JA80-0CC2	9100	1060	1290	2060	1400	600	190	280	560	2350	3530	300		
1SB7 564-6JA80-0CA2	9450	1060	1290	2060	1400	335	190	280	560	2350	3260	300		
1SB7 564-6JA80-0CC2	9500	1060	1290	2060	1400	600	190	280	560	2350	3530	300		
1SB7 567-6JA80-0CA2	10350	1060	1290	2060	1600	335	190	280	560	2350	3490	300		
1SB7 567-6JA80-0CC2	10400	1060	1290	2060	1600	600	190	280	560	2350	3760	300		
1SB7 568-6JA80-0CA2	10950	1060	1290	2060	1600	335	190	280	560	2350	3490	300		
1SB7 568-6JA80-0CC2	10950	1060	1290	2060	1600	600	190	280	560	2350	3760	300		
1SB8 632-6JA80-0CG2	11450	1320	1520	2520	1600	375	200	280	630	2710	3530	350		
1SB8 632-6JA80-0CJ2	11500	1320	1520	2520	1600	630	200	280	630	2710	3790	350		
1SB8 633-6JA80-0CG0	11850	1320	1520	2520	1600	375	200	280	630	2710	3530	350		
1SB8 633-6JA80-0CJ0	11900	1320	1520	2520	1600	630	200	280	630	2710	3790	350		
1SB8 634-6JA80-0CG2	12400	1320	1520	2520	1600	375	200	280	630	2710	3530	350		
1SB8 634-6JA80-0CJ2	12450	1320	1520	2520	1600	630	200	280	630	2710	3790	350		
1SB8 637-6JA80-0CG0	13200	1320	1520	2520	1800	375	200	280	630	2710	3730	350		
1SB8 637-6JA80-0CJ0	13250	1320	1520	2520	1800	630	200	280	630	2710	3990	350		
1SB8 638-6JA80-0CG2	13750	1320	1520	2520	1800	375	200	280	630	2710	3730	350		
1SB8 638-6JA80-0CJ2	13800	1320	1520	2520	1800	630	200	280	630	2710	3990	350		
1SB8 712-6JA80-0CG0	15450	1500	1620	2720	2000	375	220	280	710	3090	3980	400		



Motor type	Weight	Dimensions										
		A	AD	AE	B	C	D	E	H	HD	L	ML
	kg	mm	mm	mm	mm	mm	mm	mm	mm	mm	mm	mm
Innomotics HV M - 1SB. IC611 10000 V / 50 Hz B3 (IM 1001) - Dimension drawings												
1SB8 712-6JA80-0CJ0	15550	1500	1620	2720	2000	630	220	280	710	3090	4230	400
1SB8 713-6JA80-0CG2	16400	1500	1620	2720	2000	375	220	280	710	3090	3980	400
1SB8 713-6JA80-0CJ2	16500	1500	1620	2720	2000	630	220	280	710	3090	4230	400
1SB8 714-6JA80-0CG0	17450	1500	1620	2720	2000	375	220	280	710	3090	3980	400
1SB8 714-6JA80-0CJ0	17550	1500	1620	2720	2000	630	220	280	710	3090	4230	400
1SB8 717-6JA80-0CG0	18950	1500	1620	2720	2240	375	220	280	710	3090	4220	400
1SB8 717-6JA80-0CJ0	19100	1500	1620	2720	2240	630	220	280	710	3090	4470	400
1SB8 718-6JA80-0CG0	20000	1500	1620	2720	2240	375	220	280	710	3090	4220	400
1SB8 718-6JA80-0CJ0	20150	1500	1620	2720	2240	630	220	280	710	3090	4470	400
8-pole												
1SB7 451-8JA80-0AA0	4550	850	1140	1760	1180	250	130	200	450	1920	2720	200
1SB7 451-8JA80-0AC0	4550	850	1140	1760	1180	500	130	200	450	1920	2970	200
1SB7 452-8JA80-0AA0	4650	850	1140	1760	1180	250	130	200	450	1920	2720	200
1SB7 452-8JA80-0AC0	4700	850	1140	1760	1180	500	130	200	450	1920	2970	200
1SB7 453-8JA80-0AA2	4900	850	1140	1760	1180	250	130	200	450	1920	2720	200
1SB7 453-8JA80-0AC2	4900	850	1140	1760	1180	500	130	200	450	1920	2970	200
1SB7 454-8JA80-0AA2	5150	850	1140	1760	1180	250	130	200	450	1920	2720	200
1SB7 454-8JA80-0AC2	5150	850	1140	1760	1180	500	130	200	450	1920	2970	200
1SB7 457-8JA80-0AA2	5650	850	1140	1760	1400	250	130	200	450	1920	2930	200
1SB7 457-8JA80-0AC2	5650	850	1140	1760	1400	500	130	200	450	1920	3180	200
1SB7 458-8JA80-0AA2	5900	850	1140	1760	1400	250	130	200	450	1920	2930	200
1SB7 458-8JA80-0AC2	5900	850	1140	1760	1400	500	130	200	450	1920	3180	200
1SB7 502-8JA80-0CA2	6800	950	1220	1920	1320	315	160	240	500	2230	3060	250



Motor type	Weight	Dimensions												
		A	AD	AE	B	C	D	E	H	HD	L	ML		
	kg	mm	mm	mm	mm	mm	mm	mm	mm	mm	mm	mm	mm	
Innomotics HV M - 1SB. IC611 10000 V / 50 Hz B3 (IM 1001) - Dimension drawings														
1SB7 502-8JA80-0CC2	6800	950	1220	1920	1320	560	170	240	500	2230	3300	250		
1SB7 503-8JA80-0AA2	6850	950	1220	1920	1320	315	160	240	500	2230	3060	250		
1SB7 503-8JA80-0AC2	6850	950	1220	1920	1320	560	170	240	500	2230	3300	250		
1SB7 503-8JA80-0CA2	7050	950	1220	1920	1320	315	160	240	500	2230	3060	250		
1SB7 503-8JA80-0CC2	7100	950	1220	1920	1320	560	170	240	500	2230	3300	250		
1SB7 504-8JA80-0AA2	7100	950	1220	1920	1320	315	160	240	500	2230	3060	250		
1SB7 504-8JA80-0AC2	7150	950	1220	1920	1320	560	170	240	500	2230	3300	250		
1SB7 504-8JA80-0CA2	7350	950	1220	1920	1320	315	160	240	500	2230	3060	250		
1SB7 504-8JA80-0CC2	7400	950	1220	1920	1320	560	170	240	500	2230	3300	250		
1SB7 507-8JA80-0AA2	7800	950	1220	1920	1500	315	160	240	500	2230	3270	250		
1SB7 507-8JA80-0AC2	7850	950	1220	1920	1500	560	170	240	500	2230	3510	250		
1SB7 507-8JA80-0CA2	8050	950	1220	1920	1500	315	160	240	500	2230	3270	250		
1SB7 507-8JA80-0CC2	8100	950	1220	1920	1500	560	170	240	500	2230	3510	250		
1SB7 508-8JA80-0AA2	8150	950	1220	1920	1500	315	160	240	500	2230	3270	250		
1SB7 508-8JA80-0AC2	8150	950	1220	1920	1500	560	170	240	500	2230	3510	250		
1SB7 508-8JA80-0CA2	8400	950	1220	1920	1500	315	160	240	500	2230	3270	250		
1SB7 508-8JA80-0CC2	8450	950	1220	1920	1500	560	170	240	500	2230	3510	250		
1SB7 563-8JA80-0CA2	8950	1060	1290	2060	1400	335	190	280	560	2350	3260	300		
1SB7 563-8JA80-0CC2	9000	1060	1290	2060	1400	600	190	280	560	2350	3530	300		
1SB7 564-8JA80-0CA2	9400	1060	1290	2060	1400	335	190	280	560	2350	3260	300		
1SB7 564-8JA80-0CC2	9450	1060	1290	2060	1400	600	190	280	560	2350	3530	300		
1SB7 567-8JA80-0CA2	10350	1060	1290	2060	1600	335	190	280	560	2350	3490	300		
1SB7 567-8JA80-0CC2	10400	1060	1290	2060	1600	600	190	280	560	2350	3760	300		



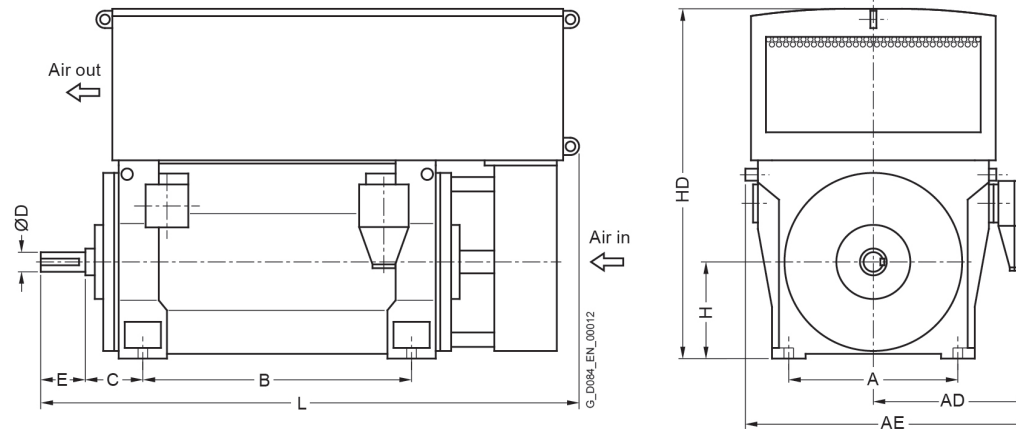
Motor type	Weight	Dimensions											
		A	AD	AE	B	C	D	E	H	HD	L	ML	
	kg	mm	mm	mm	mm	mm	mm	mm	mm	mm	mm	mm	mm
Innomotics HV M - 1SB. IC611 10000 V / 50 Hz B3 (IM 1001) - Dimension drawings													
1SB7 568-8JA80-0CA2	10850	1060	1290	2060	1600	335	190	280	560	2350	3490	300	
1SB7 568-8JA80-0CC2	10900	1060	1290	2060	1600	600	190	280	560	2350	3760	300	
1SB8 633-8JA80-0CG2	10700	1320	1520	2520	1600	375	200	280	630	2570	3530	350	
1SB8 633-8JA80-0CJ2	10750	1320	1520	2520	1600	630	200	280	630	2570	3790	350	
1SB8 634-8JA80-0CG0	11550	1320	1520	2520	1600	375	200	280	630	2570	3530	350	
1SB8 634-8JA80-0CJ0	11600	1320	1520	2520	1600	630	200	280	630	2570	3790	350	
1SB8 637-8JA80-0CG0	12750	1320	1520	2520	1800	375	200	280	630	2570	3730	350	
1SB8 637-8JA80-0CJ0	12800	1320	1520	2520	1800	630	200	280	630	2570	3990	350	
1SB8 638-8JA80-0CG0	13450	1320	1520	2520	1800	375	200	280	630	2570	3730	350	
1SB8 638-8JA80-0CJ0	13500	1320	1520	2520	1800	630	200	280	630	2570	3990	350	
1SB8 713-8JA80-0CG0	15750	1500	1620	2720	2000	375	220	280	710	3090	3980	400	
1SB8 713-8JA80-0CJ0	15950	1500	1620	2720	2000	630	220	280	710	3090	4230	400	
1SB8 714-8JA80-0CG0	16900	1500	1620	2720	2000	375	220	280	710	3090	3980	400	
1SB8 714-8JA80-0CJ0	17050	1500	1620	2720	2000	630	220	280	710	3090	4230	400	
1SB8 717-8JA80-0CG0	18550	1500	1620	2720	2240	375	220	280	710	3090	4220	400	
1SB8 717-8JA80-0CJ0	18750	1500	1620	2720	2240	630	220	280	710	3090	4470	400	
1SB8 718-8JA80-0CG0	19600	1500	1620	2720	2240	375	220	280	710	3090	4220	400	
1SB8 718-8JA80-0CJ0	19750	1500	1620	2720	2240	630	220	280	710	3090	4470	400	

Innomotics HV M - 1SB. IC611 11000 V / 50 Hz B3 (IM 1001)																		
Rated power IEC	Article No.	Speed	Rated current I_R	Efficiency				Power factor				Torque T_R	Breakdown torque T_B/ T_R	Locked rotor torque T_{LR}/ T_R	Locked rotor current I_{LR}/ I_R	Inertia		
				5/4 load	4/4 load	3/4 load	2/4 load	5/4 load	4/4 load	3/4 load	2/4 load					motor	external	Startup max T/TR
kW		rpm	A	%	%	%	%	cos φ	cos φ	cos φ	cos φ	Nm	[-]	[-]	[-]	kgm ²	kgm ²	[-]
2-pole: n_{sync} = 3000 rpm at 50 Hz																		
1150	1SB7 453-2JA90-0A.0	2982	73	95.1	95.5	95.3	94.3	0.86	0.86	0.83	0.74	3683	2.80	0.60	6.5	10	60	o.r.
1150	1SB7 453-2JA90-0C.0	2983	71	95.1	95.5	95.3	94.3	0.89	0.89	0.87	0.82	3681	2.85	0.70	6.5	14	70	o.r.
1250	1SB7 454-2JA90-0A.0	2982	78	95.2	95.7	95.6	94.9	0.88	0.88	0.86	0.81	4003	2.80	0.60	6.5	11	60	o.r.
1250	1SB7 454-2JA90-0C.0	2983	76	95.2	95.6	95.4	94.5	0.90	0.90	0.89	0.84	4002	2.90	0.75	6.5	15	70	o.r.
1440	1SB7 457-2JA90-0A.0	2982	90	95.4	95.8	95.7	94.8	0.88	0.88	0.84	0.77	4611	2.85	0.65	6.5	12	70	o.r.
1450	1SB7 457-2JA90-0C.0	2983	88	95.4	95.8	95.7	94.9	0.90	0.90	0.89	0.84	4642	2.90	0.75	6.5	16	95	o.r.
1540	1SB7 458-2JA90-0A.0	2982	93	95.6	96.1	96.1	95.5	0.90	0.90	0.89	0.85	4932	2.85	0.65	6.5	13	70	o.r.
1600	1SB7 458-2JA90-0C.0	2983	96	95.7	96.1	96.0	95.2	0.90	0.91	0.90	0.85	5122	3.00	0.75	6.5	17	105	o.r.
1750	1SB7 502-2JA90-0C.0	2979	108	95.5	95.8	95.9	95.4	0.88	0.88	0.87	0.82	5610	2.55	0.60	5.0	18	122	o.r.
1950	1SB7 503-2JA90-0C.0	2979	120	95.9	96.2	96.3	95.9	0.89	0.89	0.89	0.85	6251	2.60	0.70	5.1	20	132	o.r.
1800	1SB7 503-2JA90-0A.0	2974	110	95.6	96.0	96.2	96.0	0.89	0.89	0.89	0.85	5780	2.65	0.60	5.3	15	34	o.r.
1900	1SB7 504-2JA90-0A.0	2975	116	95.7	96.1	96.3	96.0	0.89	0.89	0.89	0.85	6099	2.70	0.70	5.3	15	34	o.r.
2300	1SB7 507-2JA90-0C.0	2983	138	96.3	96.5	96.6	96.1	0.90	0.90	0.89	0.84	7363	3.00	0.85	6.1	24	146	o.r.
2150	1SB7 507-2JA90-0A.0	2976	130	96.0	96.4	96.5	96.3	0.90	0.90	0.90	0.86	6899	2.90	0.70	5.9	18	40	o.r.
2450	1SB7 508-2JA90-0C.0	2985	146	96.5	96.7	96.7	96.3	0.91	0.91	0.90	0.84	7838	3.30	0.95	6.8	27	162	o.r.
2350	1SB7 508-2JA90-0A.0	2976	140	96.2	96.6	96.8	96.7	0.91	0.91	0.91	0.88	7541	2.80	0.80	5.8	20	42	o.r.
2880	1SB7 562-2JA90-0CC0	2986	176	96.1	96.2	96.0	95.3	0.89	0.89	0.87	0.82	9210	2.90	0.80	6.5	41	240	o.r.
3070	1SB7 563-2JA90-0CC0	2986	186	96.3	96.3	96.2	95.5	0.89	0.90	0.88	0.84	9818	2.85	0.75	6.5	44	250	o.r.
3490	1SB7 564-2JA90-0CC0	2987	215	96.1	96.2	95.8	94.9	0.89	0.89	0.86	0.79	11157	3.20	0.85	6.5	47	230	o.r.
4000	1SB7 567-2JA90-0CC0	2986	240	96.4	96.4	96.3	95.5	0.90	0.91	0.89	0.84	12792	2.95	0.75	6.5	52	280	o.r.
4250	1SB7 568-2JA90-0CC0	2988	255	96.6	96.5	96.4	95.6	0.91	0.91	0.89	0.83	13583	3.30	0.80	6.8	58	245	o.r.
4400	1SB8 632-2JA90-0CJ0	2982	270	95.9	96.3	95.9	95.0	0.86	0.89	0.89	0.88	14090	2.00	0.55	4.8	75	310	o.r.
4950	1SB8 633-2JA90-0CJ0	2982	305	96.1	96.5	96.2	95.4	0.87	0.89	0.90	0.89	15851	2.05	0.55	4.9	82	300	o.r.
5400	1SB8 634-2JA90-0CJ0	2983	325	96.3	96.7	96.4	95.5	0.88	0.90	0.91	0.90	17287	2.20	0.60	5.2	90	300	o.r.
6000	1SB8 637-2JA90-0CJ0	2984	355	96.5	96.9	96.6	95.8	0.89	0.91	0.91	0.90	19201	2.35	0.65	5.5	99	310	o.r.
6500	1SB8 638-2JA90-0CJ0	2986	380	96.7	97.0	96.7	95.9	0.90	0.92	0.92	0.90	20787	2.55	0.65	6.0	107	320	o.r.
7300	1SB8 712-2JA90-0CJ0	2988	445	96.6	96.6	96.3	95.2	0.87	0.89	0.89	0.87	23330	2.15	0.60	5.1	149	250	o.r.
7650	1SB8 713-2JA90-0CJ0	2989	455	96.7	96.7	96.3	95.3	0.89	0.91	0.90	0.87	24440	2.45	0.70	5.8	160	240	o.r.
8150	1SB8 714-2JA90-0CJ0	2990	485	96.8	96.8	96.4	95.4	0.90	0.91	0.90	0.87	26029	2.55	0.60	6.1	172	260	o.r.
8950	1SB8 716-2JA90-0CJ0	2990	540	97.0	96.9	96.5	95.5	0.89	0.90	0.89	0.85	28584	2.45	0.55	5.9	183	300	o.r.
9600	1SB8 717-2JA90-0CJ0	2989	560	97.1	97.1	96.8	96.0	0.91	0.92	0.92	0.90	30670	2.45	0.60	5.8	200	250	o.r.
10100	1SB8 718-2JA90-0CJ0	2989	590	97.2	97.2	97.0	96.2	0.90	0.92	0.91	0.89	32268	2.35	0.50	5.7	216	310	o.r.
4-pole: n_{sync} = 1500 rpm at 50 Hz																		
1200	1SB7 453-4JA90-0C.0	1488	76	95.0	95.6	95.6	95.1	0.87	0.87	0.83	0.74	7701	2.70	0.60	5.8	23	315	o.r.
1180	1SB7 453-4JA90-0A.0	1485	75	94.8	95.4	95.5	95.1	0.87	0.87	0.83	0.75	7588	2.65	0.75	6.0	17	335	o.r.
1240	1SB7 454-4JA90-0A.0	1486	78	95.0	95.6	95.6	95.1	0.88	0.87	0.82	0.73	7968	2.75	0.85	6.5	19	335	o.r.

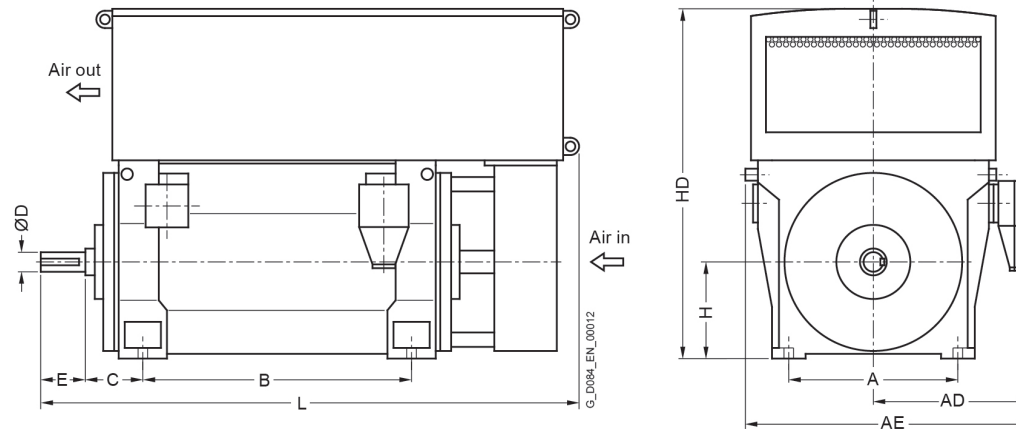
Innomotics HV M - 1SB. IC611 11000 V / 50 Hz B3 (IM 1001)																		
Rated power IEC	Article No.	Speed	Rated current I_R	Efficiency				Power factor				Torque T_R	Breakdown torque T_B/ T_R	Locked torque T_{LR}/ T_R	Locked rotor current I_{LR}/ I_R	Inertia		
				5/4 load	4/4 load	3/4 load	2/4 load	5/4 load	4/4 load	3/4 load	2/4 load					motor	external	Startup max T/TR
kW		rpm	A	%	%	%	%	$\cos \varphi$	$\cos \varphi$	$\cos \varphi$	$\cos \varphi$	Nm	[-]	[-]	[-]	kgm ²	kgm ²	[-]
1290	1SB7 454-4JA90-0C.0	1488	80	95.2	95.7	95.8	95.3	0.88	0.88	0.84	0.77	8279	2.70	0.65	6.0	25	320	o.r.
1520	1SB7 457-4JA90-0C.0	1489	94	95.6	96.1	96.1	95.6	0.89	0.88	0.85	0.77	9748	2.90	0.70	6.5	30	415	o.r.
1400	1SB7 457-4JA90-0A.0	1486	85	95.2	95.8	96.1	95.8	0.90	0.90	0.88	0.83	8997	2.75	0.85	6.5	22	420	o.r.
1670	1SB7 458-4JA90-0C.0	1489	102	95.7	96.2	96.3	95.9	0.89	0.89	0.86	0.79	10710	2.90	0.70	6.5	32	480	o.r.
1540	1SB7 458-4JA90-0A.0	1486	94	95.4	96.0	96.2	96.0	0.90	0.90	0.88	0.83	9896	2.80	0.85	6.5	24	420	o.r.
1870	1SB7 503-4JA90-0A.0	1486	114	95.6	96.1	96.5	96.2	0.89	0.89	0.89	0.85	12017	2.40	0.80	5.3	37	615	o.r.
1900	1SB7 503-4JA90-0C.0	1488	116	95.6	96.2	96.5	96.2	0.88	0.89	0.89	0.86	12193	2.40	0.60	5.0	45	570	o.r.
2100	1SB7 504-4JA90-0C.0	1491	132	96.1	96.4	96.4	95.8	0.88	0.86	0.83	0.75	13450	2.90	0.70	5.9	50	705	o.r.
1950	1SB7 504-4JA90-0A.0	1487	118	95.6	96.2	96.5	96.3	0.89	0.90	0.90	0.87	12523	2.50	0.90	5.5	40	615	o.r.
2260	1SB7 507-4JA90-0A.0	1487	136	96.0	96.5	96.7	96.5	0.90	0.90	0.89	0.85	14513	2.65	0.95	6.0	46	610	o.r.
2300	1SB7 507-4JA90-0C.0	1489	138	96.1	96.6	96.8	96.5	0.90	0.90	0.89	0.86	14750	2.65	0.70	5.5	56	760	o.r.
2500	1SB7 508-4JA90-0C.0	1490	152	96.3	96.6	96.8	96.4	0.89	0.89	0.88	0.83	16022	2.65	0.65	5.6	61	660	o.r.
2350	1SB7 508-4JA90-0A.0	1487	142	96.0	96.5	96.8	96.6	0.90	0.90	0.90	0.87	15091	2.65	0.95	6.0	50	750	o.r.
2850	1SB7 562-4JA90-0C.0	1490	176	96.2	96.6	96.9	96.6	0.87	0.88	0.87	0.83	18265	2.25	0.60	5.4	74	865	o.r.
3000	1SB7 563-4JA90-0C.0	1491	185	96.3	96.7	96.9	96.6	0.88	0.88	0.87	0.83	19214	2.40	0.65	5.8	80	915	o.r.
3350	1SB7 564-4JA90-0C.0	1491	204	96.4	96.8	97.1	96.9	0.88	0.89	0.89	0.86	21455	2.30	0.65	5.5	90	1020	o.r.
3600	1SB7 566-4JA90-0C.0	1492	216	96.6	97.0	97.2	97.0	0.89	0.90	0.89	0.86	23041	2.50	0.75	6.0	100	1125	o.r.
3960	1SB7 567-4JA90-0C.0	1492	238	96.8	97.1	97.3	97.1	0.90	0.90	0.90	0.86	25345	2.55	0.75	6.3	110	1215	o.r.
4260	1SB7 568-4JA90-0C.0	1492	256	96.9	97.2	97.4	97.2	0.90	0.90	0.89	0.85	27265	2.65	0.75	6.5	119	1325	o.r.
5000	1SB8 633-4JA90-0C.0	1492	305	96.5	96.8	96.7	96.1	0.88	0.89	0.88	0.83	32002	2.55	0.55	6.0	151	790	o.r.
5250	1SB8 634-4JA90-0C.0	1493	320	96.6	96.8	96.7	96.1	0.88	0.89	0.87	0.81	33579	2.60	0.55	6.0	165	970	o.r.
5900	1SB8 637-4JA90-0C.0	1493	355	96.8	97.0	97.0	96.4	0.89	0.90	0.88	0.83	37737	2.60	0.55	6.0	181	1000	o.r.
6500	1SB8 638-4JA90-0C.0	1493	400	96.9	97.1	97.0	96.4	0.88	0.88	0.85	0.79	41574	2.60	0.55	6.0	196	1140	o.r.
6900	1SB8 712-4JA90-0C.0	1492	415	96.7	97.1	97.1	96.7	0.89	0.90	0.90	0.87	44162	2.35	0.50	5.6	259	1000	o.r.
7400	1SB8 713-4JA90-0C.0	1492	440	96.9	97.2	97.3	96.8	0.89	0.91	0.90	0.88	47362	2.45	0.50	5.9	284	1110	o.r.
8050	1SB8 714-4JA90-0C.0	1492	475	97.0	97.3	97.4	97.0	0.90	0.91	0.91	0.88	51523	2.55	0.55	6.0	312	1200	o.r.
8700	1SB8 717-4JA90-0C.0	1493	520	97.1	97.4	97.4	97.0	0.90	0.91	0.91	0.88	55646	2.60	0.55	6.0	344	1410	o.r.
9350	1SB8 718-4JA90-0C.0	1493	560	97.2	97.5	97.5	97.0	0.89	0.90	0.89	0.84	59803	2.60	0.50	6.0	360	1540	o.r.
6-pole: $n_{sync} = 1000$ rpm at 50 Hz																		
830	1SB7 452-6JA90-0A.0	990	55	94.1	94.9	95.2	95.0	0.84	0.84	0.80	0.70	8006	2.45	0.80	5.5	20	385	o.r.
860	1SB7 452-6JA90-0C.0	990	56	93.9	94.9	95.2	95.1	0.85	0.85	0.83	0.75	8295	2.35	0.70	5.4	27	465	o.r.
900	1SB7 453-6JA90-0A.0	990	58	94.3	95.1	95.4	95.2	0.85	0.85	0.81	0.72	8681	2.45	0.85	5.5	22	395	o.r.
920	1SB7 453-6JA90-0C.0	991	59	94.3	95.1	95.3	95.2	0.85	0.86	0.82	0.74	8865	2.50	0.80	5.5	30	470	o.r.
980	1SB7 454-6JA90-0A.0	990	63	94.5	95.3	95.6	95.4	0.85	0.86	0.82	0.74	9453	2.45	0.85	5.5	24	450	o.r.
1000	1SB7 454-6JA90-0C.0	991	64	94.5	95.2	95.5	95.4	0.86	0.86	0.83	0.76	9636	2.50	0.80	5.5	33	550	o.r.
1080	1SB7 457-6JA90-0A.0	990	68	94.6	95.4	95.8	95.7	0.86	0.87	0.84	0.77	10417	2.40	0.85	5.5	28	530	o.r.
1100	1SB7 457-6JA90-0C.0	991	70	94.6	95.4	95.7	95.6	0.87	0.87	0.84	0.78	10600	2.50	0.80	5.5	36	645	o.r.

Innomotics HV M - 1SB. IC611 11000 V / 50 Hz B3 (IM 1001)																		
Rated power IEC	Article No.	Speed	Rated current I_R	Efficiency				Power factor				Torque T_R	Breakdown torque T_B/ T_R	Locked rotor torque T_{LR}/ T_R	Locked rotor current I_{LR}/ I_R	Inertia		
				5/4 load	4/4 load	3/4 load	2/4 load	5/4 load	4/4 load	3/4 load	2/4 load					motor	external	Startup max T/TR
kW		rpm	A	%	%	%	%	cos φ	cos φ	cos φ	cos φ	Nm	[-]	[-]	[-]	kgm ²	kgm ²	[-]
1200	1SB7 458-6JA90-0C.0	991	75	94.8	95.6	95.9	95.9	0.87	0.88	0.85	0.79	11563	2.50	0.80	5.5	41	740	o.r.
1180	1SB7 458-6JA90-0A.0	990	74	94.8	95.6	96.0	96.0	0.87	0.87	0.85	0.79	11382	2.35	0.85	5.5	31	615	o.r.
1400	1SB7 502-6JA90-0C.0	993	90	95.5	96.0	96.1	95.8	0.85	0.85	0.80	0.71	13463	2.65	0.85	5.4	54	1130	o.r.
1350	1SB7 502-6JA90-0A.0	991	86	95.0	95.7	96.1	95.9	0.85	0.86	0.84	0.78	13009	2.35	0.90	5.0	42	750	o.r.
1600	1SB7 503-6JA90-0C.0	993	102	95.6	96.2	96.3	96.0	0.85	0.85	0.81	0.72	15387	2.65	0.90	5.4	60	1250	o.r.
1530	1SB7 503-6JA90-0A.0	991	96	95.1	95.8	96.2	96.1	0.85	0.87	0.85	0.79	14743	2.25	0.90	4.9	46	860	o.r.
1630	1SB7 504-6JA90-0A.0	992	104	95.5	96.0	96.3	96.0	0.85	0.85	0.82	0.72	15691	2.65	1.10	5.7	51	980	o.r.
1750	1SB7 504-6JA90-0C.0	993	112	95.8	96.3	96.4	96.1	0.85	0.85	0.81	0.72	16829	2.70	0.85	5.4	66	1400	o.r.
1920	1SB7 507-6JA90-0C.0	994	124	96.0	96.5	96.5	96.2	0.84	0.84	0.79	0.69	18445	2.75	0.85	5.4	74	1600	o.r.
1830	1SB7 507-6JA90-0A.0	992	114	95.6	96.1	96.5	96.3	0.86	0.87	0.85	0.78	17616	2.50	1.00	5.4	58	1150	o.r.
2000	1SB7 508-6JA90-0A.0	992	126	95.8	96.3	96.7	96.5	0.86	0.87	0.84	0.77	19253	2.60	0.95	5.6	63	1350	o.r.
2050	1SB7 508-6JA90-0C.0	994	128	96.0	96.6	96.7	96.5	0.87	0.87	0.84	0.78	19694	2.65	0.85	5.5	81	1800	o.r.
2240	1SB7 561-6JA90-0C.0	993	144	95.7	96.3	96.3	96.0	0.85	0.85	0.83	0.76	21541	2.55	0.70	5.6	96	1090	o.r.
2600	1SB7 562-6JA90-0C.0	993	166	96.0	96.5	96.5	96.2	0.84	0.85	0.83	0.75	25003	2.50	0.65	5.5	105	1450	o.r.
2800	1SB7 564-6JA90-0C.0	993	174	96.1	96.6	96.7	96.5	0.86	0.87	0.85	0.81	26927	2.50	0.65	5.6	123	1550	o.r.
3150	1SB7 567-6JA90-0C.0	994	198	96.3	96.8	96.8	96.5	0.86	0.86	0.84	0.77	30262	2.75	0.70	6.0	134	1790	o.r.
3300	1SB7 568-6JA90-0C.0	995	210	96.5	96.9	96.8	96.4	0.86	0.86	0.83	0.75	31671	3.05	0.80	6.5	150	2090	o.r.
3750	1SB8 632-6JA90-0C.0	993	235	96.1	96.5	96.5	95.8	0.85	0.86	0.82	0.73	36062	2.45	0.60	5.5	193	2610	o.r.
4000	1SB8 633-6JA90-0C.0	994	255	96.2	96.5	96.5	95.9	0.85	0.85	0.81	0.71	38428	2.50	0.60	5.5	208	2890	o.r.
4400	1SB8 634-6JA90-0C.0	994	280	96.4	96.7	96.7	96.1	0.85	0.86	0.82	0.74	42271	2.50	0.60	5.5	227	3060	o.r.
4750	1SB8 637-6JA90-0C.0	994	295	96.4	96.7	96.8	96.2	0.86	0.87	0.83	0.75	45633	2.50	0.60	5.5	245	3230	o.r.
4900	1SB8 638-6JA90-0C.0	994	310	96.5	96.8	96.8	96.2	0.86	0.86	0.82	0.73	47074	2.55	0.60	5.5	263	3890	o.r.
5550	1SB8 712-6JA90-0C.0	994	345	96.7	97.0	97.1	96.6	0.86	0.87	0.84	0.77	53319	2.50	0.55	5.5	331	2970	o.r.
6050	1SB8 713-6JA90-0C.0	994	375	96.8	97.2	97.2	96.8	0.86	0.87	0.85	0.79	58122	2.40	0.55	5.5	373	3500	o.r.
6550	1SB8 714-6JA90-0C.0	995	400	96.9	97.2	97.3	96.9	0.86	0.88	0.86	0.80	62862	2.40	0.55	5.5	422	4160	o.r.
7200	1SB8 717-6JA90-0C.0	995	440	97.0	97.3	97.4	97.0	0.87	0.88	0.86	0.80	69100	2.45	0.50	5.5	475	4860	o.r.
7750	1SB8 718-6JA90-0C.0	995	470	97.1	97.4	97.5	97.2	0.88	0.89	0.87	0.82	74379	2.45	0.55	5.5	522	5280	o.r.
8-pole: n_{sync} = 750 rpm at 50 Hz																		
520	1SB7 451-8JA90-0A.0	743	37	93.2	94.2	94.4	93.8	0.80	0.78	0.70	0.55	6683	2.50	0.80	5.5	23	410	o.r.
540	1SB7 451-8JA90-0C.0	743	38	93.3	94.2	94.5	94.0	0.82	0.80	0.73	0.59	6940	2.70	0.75	5.5	30	490	o.r.
580	1SB7 452-8JA90-0A.0	743	40	93.4	94.4	94.7	94.4	0.81	0.80	0.73	0.59	7454	2.50	0.80	5.5	25	470	o.r.
590	1SB7 452-8JA90-0C.0	743	40	93.5	94.5	94.7	94.4	0.83	0.81	0.75	0.62	7583	2.65	0.75	5.5	32	600	o.r.
660	1SB7 453-8JA90-0A.0	743	46	94.0	94.9	95.1	94.7	0.81	0.79	0.72	0.57	8483	2.55	0.85	5.5	28	750	o.r.
680	1SB7 453-8JA90-0C.0	743	46	94.1	94.9	95.1	94.8	0.82	0.81	0.74	0.61	8740	2.75	0.80	5.5	36	890	o.r.
750	1SB7 454-8JA90-0A.0	744	53	94.3	95.1	95.2	94.7	0.80	0.78	0.68	0.52	9626	2.75	0.95	5.5	31	890	o.r.
760	1SB7 454-8JA90-0C.0	744	52	94.4	95.2	95.3	94.8	0.81	0.80	0.71	0.56	9755	2.95	0.80	5.8	40	1060	o.r.
830	1SB7 457-8JA90-0A.0	744	58	94.5	95.2	95.4	95.0	0.81	0.79	0.71	0.57	10653	2.75	0.95	5.5	35	1020	o.r.

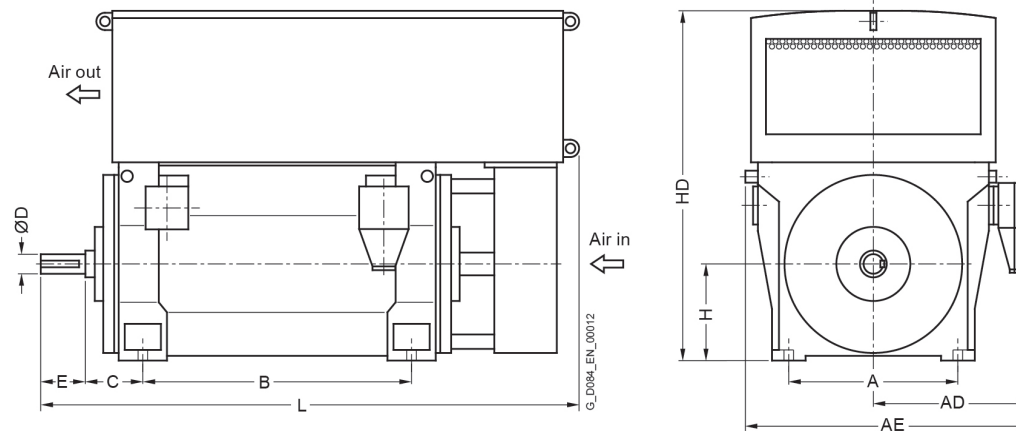
Innomotics HV M - 1SB. IC611 11000 V / 50 Hz B3 (IM 1001)																		
Rated power IEC	Article No.	Speed	Rated current I_R	Efficiency				Power factor				Torque T_R	Breakdown torque T_B/ T_R	Locked torque T_{LR}/ T_R	Locked rotor current I_{LR}/ I_R	Inertia		
				5/4 load	4/4 load	3/4 load	2/4 load	5/4 load	4/4 load	3/4 load	2/4 load					motor	external	Startup max T/TR
kW		rpm	A	%	%	%	%	$\cos \varphi$	$\cos \varphi$	$\cos \varphi$	$\cos \varphi$	Nm	[-]	[-]	[-]	kgm ²	kgm ²	[-]
840	1SB7 457-8JA90-0C.0	744	58	94.6	95.3	95.4	95.0	0.82	0.80	0.73	0.59	10781	2.95	0.80	5.8	45	1220	o.r.
880	1SB7 458-8JA90-0A.0	744	61	94.6	95.4	95.5	95.0	0.81	0.79	0.71	0.56	11295	2.80	0.95	5.7	39	1200	o.r.
900	1SB7 458-8JA90-0C.0	744	62	94.7	95.4	95.5	95.1	0.82	0.80	0.73	0.59	11552	2.95	0.80	5.8	50	1330	o.r.
1000	1SB7 501-8JA90-0A.0	744	70	95.0	95.5	95.7	95.4	0.80	0.79	0.74	0.62	12835	2.40	0.85	4.7	42	1570	o.r.
1000	1SB7 501-8JA90-0C.0	743	67	94.7	95.4	95.8	95.6	0.82	0.82	0.78	0.69	12852	2.30	0.60	4.3	55	1460	o.r.
1100	1SB7 502-8JA90-0A.0	744	78	95.0	95.5	95.9	95.6	0.81	0.78	0.75	0.64	14119	2.50	0.90	4.7	46	1400	o.r.
1100	1SB7 502-8JA90-0C.0	743	74	94.8	95.5	96.0	95.9	0.82	0.82	0.79	0.71	14138	2.35	0.65	4.4	59	1660	o.r.
1250	1SB7 503-8JA90-0A.0	744	85	95.1	95.7	96.1	95.9	0.81	0.81	0.77	0.67	16044	2.30	0.85	4.6	51	1510	o.r.
1370	1SB7 507-8JA90-0A.0	744	92	95.6	96.1	96.3	96.0	0.82	0.81	0.76	0.66	17584	2.55	1.00	5.2	63	2710	o.r.
1400	1SB7 507-8JA90-0C.0	743	91	95.2	95.9	96.4	96.3	0.84	0.84	0.81	0.73	17993	2.30	0.65	4.4	80	2240	o.r.
1550	1SB7 508-8JA90-0A.0	745	106	95.7	96.1	96.3	96.0	0.81	0.80	0.75	0.63	19868	2.65	1.05	5.3	69	2610	o.r.
1600	1SB7 508-8JA90-0C.0	744	106	95.7	96.2	96.4	96.2	0.83	0.83	0.78	0.68	20536	2.65	0.70	5.0	88	3010	o.r.
1800	1SB7 563-8JA90-0C.0	745	120	95.6	96.0	96.3	95.9	0.82	0.82	0.79	0.70	23072	2.35	0.65	5.1	124	2810	o.r.
2000	1SB7 564-8JA90-0C.0	744	134	95.7	96.1	96.5	96.3	0.82	0.82	0.80	0.73	25670	2.20	0.60	4.9	137	3135	o.r.
2240	1SB7 567-8JA90-0C.0	745	150	95.9	96.1	96.6	96.4	0.83	0.82	0.80	0.72	28712	2.30	0.65	5.0	150	4020	o.r.
2500	1SB7 568-8JA90-0C.0	744	166	96.1	96.2	96.8	96.4	0.83	0.82	0.80	0.73	32088	2.30	0.65	5.1	165	5205	o.r.
2950	1SB8 634-8JA90-0C.0	744	188	95.5	96.1	96.1	95.7	0.85	0.86	0.83	0.76	37863	2.15	0.50	4.8	251	3210	o.r.
3350	1SB8 637-8JA90-0C.0	744	210	95.9	96.3	96.3	95.9	0.86	0.87	0.83	0.75	42998	2.30	0.50	5.0	292	4650	o.r.
3550	1SB8 638-8JA90-0C.0	744	220	96.0	96.5	96.5	96.1	0.87	0.87	0.83	0.76	45565	2.35	0.55	5.2	326	5480	o.r.
3800	1SB8 712-8JA90-0C.0	746	240	96.2	96.6	96.5	96.0	0.86	0.86	0.81	0.72	48643	2.55	0.60	5.5	421	3900	o.r.
4150	1SB8 713-8JA90-0C.0	746	260	96.4	96.7	96.6	96.0	0.86	0.86	0.81	0.71	53123	2.55	0.60	5.5	470	4270	o.r.
4650	1SB8 714-8JA90-0C.0	746	290	96.5	96.8	96.7	96.3	0.87	0.87	0.82	0.74	59523	2.55	0.55	5.5	539	4260	o.r.
4950	1SB8 717-8JA90-0C.0	746	305	96.5	96.9	96.9	96.6	0.87	0.88	0.84	0.77	63363	2.45	0.50	5.4	616	4640	o.r.
5300	1SB8 718-8JA90-0C.0	746	330	96.6	97.0	97.0	96.7	0.87	0.87	0.84	0.77	67844	2.35	0.50	5.1	677	4860	o.r.



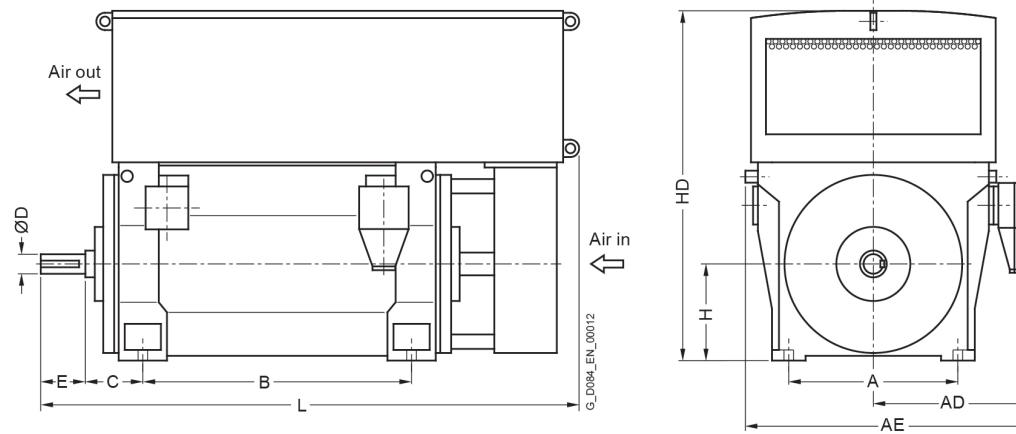
Motor type	Weight	Dimensions										
		A	AD	AE	B	C	D	E	H	HD	L	ML
	kg	mm	mm	mm	mm	mm	mm	mm	mm	mm	mm	mm
Innomotics HV M - 1SB. IC611 11000 V / 50 Hz B3 (IM 1001) - Dimension drawings												
2-pole												
1SB7 453-2JA90-0AA0	4700	850	1140	1760	1180	250	95	130	450	1920	2650	200
1SB7 453-2JA90-0AC0	4550	850	1140	1760	1180	475	95	130	450	1920	2880	200
1SB7 453-2JA90-0CA0	4800	850	1140	1760	1180	250	95	130	450	1920	2650	200
1SB7 453-2JA90-0CC0	4700	850	1140	1760	1180	475	95	130	450	1920	2880	200
1SB7 454-2JA90-0AA0	4800	850	1140	1760	1180	250	95	130	450	1920	2650	200
1SB7 454-2JA90-0AC0	4650	850	1140	1760	1180	475	95	130	450	1920	2880	200
1SB7 454-2JA90-0CA0	4900	850	1140	1760	1180	250	95	130	450	1920	2650	200
1SB7 454-2JA90-0CC0	4800	850	1140	1760	1180	475	95	130	450	1920	2880	200
1SB7 457-2JA90-0AA0	5250	850	1140	1760	1400	250	95	130	450	1920	2860	200
1SB7 457-2JA90-0AC0	5100	850	1140	1760	1400	475	95	130	450	1920	3090	200
1SB7 457-2JA90-0CA0	5350	850	1140	1760	1400	250	95	130	450	1920	2860	200
1SB7 457-2JA90-0CC0	5250	850	1140	1760	1400	475	95	130	450	1920	3090	200
1SB7 458-2JA90-0AA0	5400	850	1140	1760	1400	250	95	130	450	1920	2860	200
1SB7 458-2JA90-0AC0	5300	850	1140	1760	1400	475	95	130	450	1920	3090	200
1SB7 458-2JA90-0CA0	5550	850	1140	1760	1400	250	95	130	450	1920	2860	200
1SB7 458-2JA90-0CC0	5500	850	1140	1760	1400	475	95	130	450	1920	3090	200
1SB7 502-2JA90-0CA0	6300	950	1220	1920	1320	250	110	165	500	2230	2920	250
1SB7 502-2JA90-0CC0	6200	950	1220	1920	1320	530	120	165	500	2230	3200	250
1SB7 503-2JA90-0CA0	6600	950	1220	1920	1320	250	110	165	500	2230	2920	250
1SB7 503-2JA90-0CC0	6500	950	1220	1920	1320	530	120	165	500	2230	3200	250
1SB7 503-2JA90-0AA0	6400	950	1220	1920	1320	250	110	165	500	2230	2920	250
1SB7 503-2JA90-0AC0	6350	950	1220	1920	1320	530	120	165	500	2230	3200	250



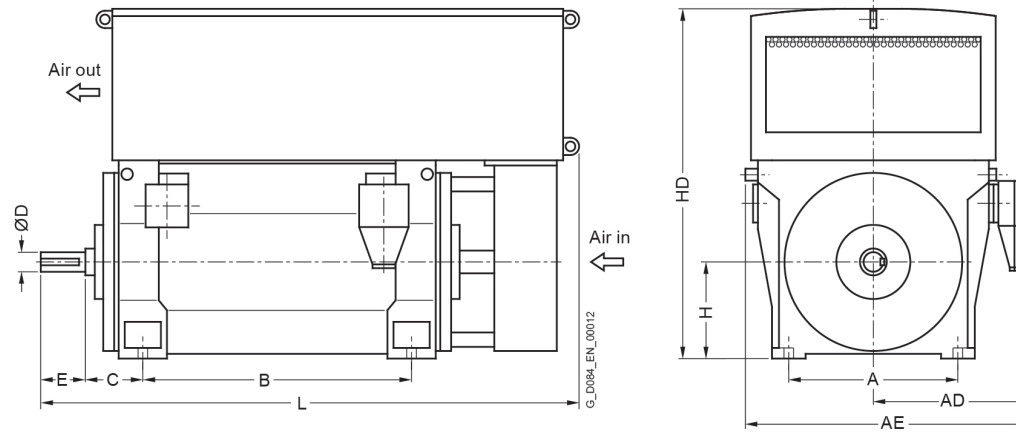
Motor type	Weight	Dimensions												
		A	AD	AE	B	C	D	E	H	HD	L	ML		
	kg	mm	mm	mm	mm	mm	mm	mm	mm	mm	mm	mm	mm	
Innomotics HV M - 1SB. IC611 11000 V / 50 Hz B3 (IM 1001) - Dimension drawings														
1SB7 504-2JA90-0AA0	6500	950	1220	1920	1320	250	110	165	500	2230	2920	250		
1SB7 504-2JA90-0AC0	6450	950	1220	1920	1320	530	120	165	500	2230	3200	250		
1SB7 507-2JA90-0CA0	7350	950	1220	1920	1500	250	110	165	500	2230	3130	250		
1SB7 507-2JA90-0CC0	7300	950	1220	1920	1500	530	120	165	500	2230	3410	250		
1SB7 507-2JA90-0AA0	7200	950	1220	1920	1500	250	110	165	500	2230	3130	250		
1SB7 507-2JA90-0AC0	7100	950	1220	1920	1500	530	120	165	500	2230	3410	250		
1SB7 508-2JA90-0CA0	7700	950	1220	1920	1500	250	110	165	500	2230	3130	250		
1SB7 508-2JA90-0CC0	7650	950	1220	1920	1500	530	120	165	500	2230	3410	250		
1SB7 508-2JA90-0AA0	7550	950	1220	1920	1500	250	110	165	500	2230	3130	250		
1SB7 508-2JA90-0AC0	7500	950	1220	1920	1500	530	120	165	500	2230	3410	250		
1SB7 562-2JA90-0CC0	8250	1060	1290	2060	1400	600	150	200	560	2350	3450	300		
1SB7 563-2JA90-0CC0	8500	1060	1290	2060	1400	600	150	200	560	2350	3450	300		
1SB7 564-2JA90-0CC0	8750	1060	1290	2060	1400	600	150	200	560	2350	3450	300		
1SB7 567-2JA90-0CC0	9650	1060	1290	2060	1600	600	150	200	560	2350	3680	300		
1SB7 568-2JA90-0CC0	10200	1060	1290	2060	1600	600	150	200	560	2350	3680	300		
1SB8 632-2JA90-0CJ0	10050	1320	1520	2520	1600	560	160	240	630	2710	3680	350		
1SB8 633-2JA90-0CJ0	10600	1320	1520	2520	1600	560	160	240	630	2710	3680	350		
1SB8 634-2JA90-0CJ0	11100	1320	1520	2520	1600	560	160	240	630	2710	3680	350		
1SB8 637-2JA90-0CJ0	12000	1320	1520	2520	1800	560	160	240	630	2710	3880	350		
1SB8 638-2JA90-0CJ0	12550	1320	1520	2520	1800	560	160	240	630	2710	3880	350		
1SB8 712-2JA90-0CJ0	14550	1500	1620	2720	2000	560	180	240	710	3090	4400	400		
1SB8 713-2JA90-0CJ0	15050	1500	1620	2720	2000	560	180	240	710	3090	4400	400		
1SB8 714-2JA90-0CJ0	15700	1500	1620	2720	2000	560	180	240	710	3090	4400	400		



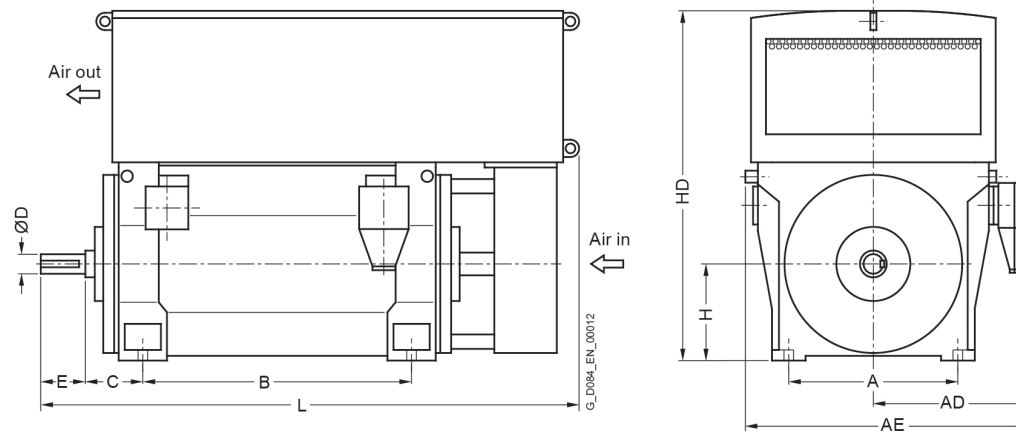
Motor type	Weight	Dimensions										
		A	AD	AE	B	C	D	E	H	HD	L	ML
	kg	mm	mm	mm	mm	mm	mm	mm	mm	mm	mm	mm
Innomotics HV M - 1SB. IC611 11000 V / 50 Hz B3 (IM 1001) - Dimension drawings												
1SB8 716-2JA90-0CJ0	16850	1500	1620	2720	2240	560	180	240	710	3090	4640	400
1SB8 717-2JA90-0CJ0	17650	1500	1620	2720	2240	560	180	240	710	3090	4640	400
1SB8 718-2JA90-0CJ0	18600	1500	1620	2720	2240	560	180	240	710	3090	4640	400
4-pole												
1SB7 453-4JA90-0CA0	4800	850	1140	1760	1180	250	130	200	450	1920	2720	200
1SB7 453-4JA90-0CC0	4800	850	1140	1760	1180	500	130	200	450	1920	2970	200
1SB7 453-4JA90-0AA0	4700	850	1140	1760	1180	250	130	200	450	1920	2720	200
1SB7 453-4JA90-0AC0	4700	850	1140	1760	1180	500	130	200	450	1920	2970	200
1SB7 454-4JA90-0AA0	4850	850	1140	1760	1180	250	130	200	450	1920	2720	200
1SB7 454-4JA90-0AC0	4850	850	1140	1760	1180	500	130	200	450	1920	2970	200
1SB7 454-4JA90-0CA0	5000	850	1140	1760	1180	250	130	200	450	1920	2720	200
1SB7 454-4JA90-0CC0	5000	850	1140	1760	1180	500	130	200	450	1920	2970	200
1SB7 457-4JA90-0CA0	5600	850	1140	1760	1400	250	130	200	450	1920	2930	200
1SB7 457-4JA90-0CC0	5600	850	1140	1760	1400	500	130	200	450	1920	3180	200
1SB7 457-4JA90-0AA0	5450	850	1140	1760	1400	250	130	200	450	1920	2930	200
1SB7 457-4JA90-0AC0	5450	850	1140	1760	1400	500	130	200	450	1920	3180	200
1SB7 458-4JA90-0CA0	5850	850	1140	1760	1400	250	130	200	450	1920	2930	200
1SB7 458-4JA90-0CC0	5850	850	1140	1760	1400	500	130	200	450	1920	3180	200
1SB7 458-4JA90-0AA0	5650	850	1140	1760	1400	250	130	200	450	1920	2930	200
1SB7 458-4JA90-0AC0	5650	850	1140	1760	1400	500	130	200	450	1920	3180	200
1SB7 503-4JA90-0AA0	6700	950	1220	1920	1320	315	160	240	500	2230	3060	250
1SB7 503-4JA90-0AC0	6750	950	1220	1920	1320	560	170	240	500	2230	3300	250
1SB7 503-4JA90-0CA0	6850	950	1220	1920	1320	315	160	240	500	2230	3060	250



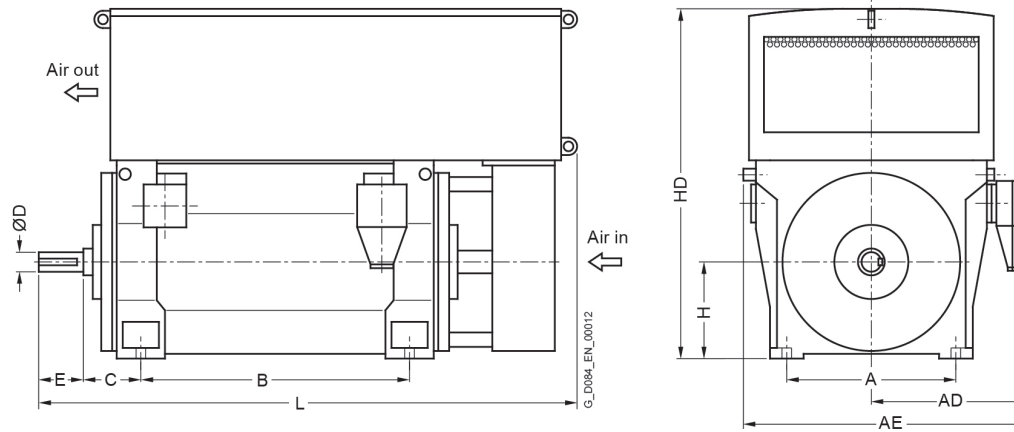
Motor type	Weight	Dimensions												
		A	AD	AE	B	C	D	E	H	HD	L	ML		
	kg	mm	mm	mm	mm	mm	mm	mm	mm	mm	mm	mm	mm	
Innomotics HV M - 1SB. IC611 11000 V / 50 Hz B3 (IM 1001) - Dimension drawings														
1SB7 503-4JA90-0CC0	6900	950	1220	1920	1320	560	170	240	500	2230	3300	250		
1SB7 504-4JA90-0CA0	7100	950	1220	1920	1320	315	160	240	500	2230	3060	250		
1SB7 504-4JA90-0CC0	7150	950	1220	1920	1320	560	170	240	500	2230	3300	250		
1SB7 504-4JA90-0AA0	6950	950	1220	1920	1320	315	160	240	500	2230	3060	250		
1SB7 504-4JA90-0AC0	7000	950	1220	1920	1320	560	170	240	500	2230	3300	250		
1SB7 507-4JA90-0AA0	7650	950	1220	1920	1500	315	160	240	500	2230	3270	250		
1SB7 507-4JA90-0AC0	7700	950	1220	1920	1500	560	170	240	500	2230	3510	250		
1SB7 507-4JA90-0CA0	7800	950	1220	1920	1500	315	160	240	500	2230	3270	250		
1SB7 507-4JA90-0CC0	7850	950	1220	1920	1500	560	170	240	500	2230	3510	250		
1SB7 508-4JA90-0CA0	8100	950	1220	1920	1500	315	160	240	500	2230	3270	250		
1SB7 508-4JA90-0CC0	8150	950	1220	1920	1500	560	170	240	500	2230	3510	250		
1SB7 508-4JA90-0AA0	7950	950	1220	1920	1500	315	160	240	500	2230	3270	250		
1SB7 508-4JA90-0AC0	8000	950	1220	1920	1500	560	170	240	500	2230	3510	250		
1SB7 562-4JA90-0CA0	8200	1060	1290	2060	1400	335	190	280	560	2350	3260	300		
1SB7 562-4JA90-0CC0	8300	1060	1290	2060	1400	600	190	280	560	2350	3530	300		
1SB7 563-4JA90-0CA0	8500	1060	1290	2060	1400	335	190	280	560	2350	3260	300		
1SB7 563-4JA90-0CC0	8550	1060	1290	2060	1400	600	190	280	560	2350	3530	300		
1SB7 564-4JA90-0CA0	8950	1060	1290	2060	1400	335	190	280	560	2350	3260	300		
1SB7 564-4JA90-0CC0	9000	1060	1290	2060	1400	600	190	280	560	2350	3530	300		
1SB7 566-4JA90-0CA0	9800	1060	1290	2060	1600	335	190	280	560	2350	3490	300		
1SB7 566-4JA90-0CC0	9850	1060	1290	2060	1600	600	190	280	560	2350	3760	300		
1SB7 567-4JA90-0CA0	10250	1060	1290	2060	1600	335	190	280	560	2350	3490	300		
1SB7 567-4JA90-0CC0	10300	1060	1290	2060	1600	600	190	280	560	2350	3760	300		



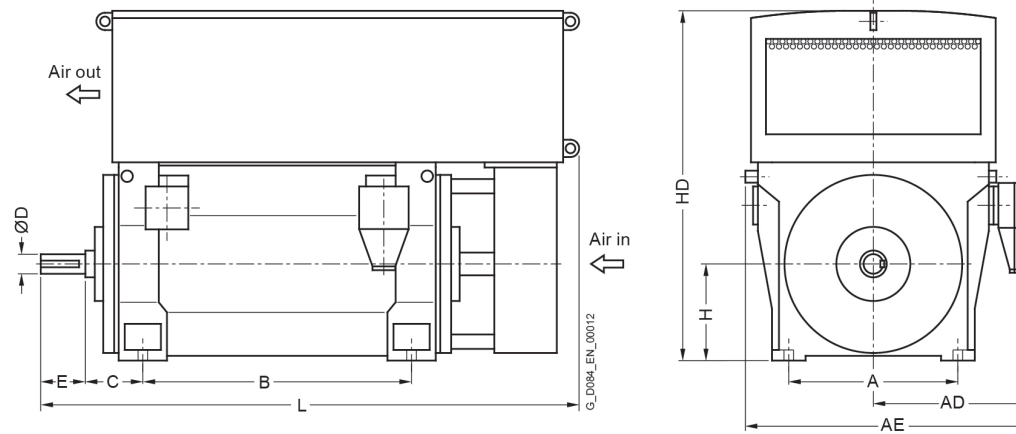
Motor type	Weight	Dimensions												
		A	AD	AE	B	C	D	E	H	HD	L	ML		
	kg	mm	mm	mm	mm	mm	mm	mm	mm	mm	mm	mm	mm	
Innomotics HV M - 1SB. IC611 11000 V / 50 Hz B3 (IM 1001) - Dimension drawings														
1SB7 568-4JA90-0CA0	10700	1060	1290	2060	1600	335	190	280	560	2350	3490	300		
1SB7 568-4JA90-0CC0	10750	1060	1290	2060	1600	600	190	280	560	2350	3760	300		
1SB8 633-4JA90-0CG0	11300	1320	1520	2520	1600	375	200	280	630	2710	3530	350		
1SB8 633-4JA90-0CJ0	11450	1320	1520	2520	1600	630	200	280	630	2710	3790	350		
1SB8 634-4JA90-0CG0	11700	1320	1520	2520	1600	375	200	280	630	2710	3530	350		
1SB8 634-4JA90-0CJ0	11850	1320	1520	2520	1600	630	200	280	630	2710	3790	350		
1SB8 637-4JA90-0CG0	12650	1320	1520	2520	1800	375	200	280	630	2710	3730	350		
1SB8 637-4JA90-0CJ0	12800	1320	1520	2520	1800	630	200	280	630	2710	3990	350		
1SB8 638-4JA90-0CG0	13250	1320	1520	2520	1800	375	200	280	630	2710	3730	350		
1SB8 638-4JA90-0CJ0	13400	1320	1520	2520	1800	630	200	280	630	2710	3990	350		
1SB8 712-4JA90-0CG0	15400	1500	1620	2720	2000	375	220	280	710	3090	3980	400		
1SB8 712-4JA90-0CJ0	15500	1500	1620	2720	2000	630	220	280	710	3090	4230	400		
1SB8 713-4JA90-0CG0	16050	1500	1620	2720	2000	375	220	280	710	3090	3980	400		
1SB8 713-4JA90-0CJ0	16200	1500	1620	2720	2000	630	220	280	710	3090	4230	400		
1SB8 714-4JA90-0CG0	16850	1500	1620	2720	2000	375	220	280	710	3090	3980	400		
1SB8 714-4JA90-0CJ0	16950	1500	1620	2720	2000	630	220	280	710	3090	4230	400		
1SB8 717-4JA90-0CG0	18100	1500	1620	2720	2240	375	220	280	710	3090	4220	400		
1SB8 717-4JA90-0CJ0	18200	1500	1620	2720	2240	630	220	280	710	3090	4470	400		
1SB8 718-4JA90-0CG0	18700	1500	1620	2720	2240	375	220	280	710	3090	4220	400		
1SB8 718-4JA90-0CJ0	18800	1500	1620	2720	2240	630	220	280	710	3090	4470	400		
6-pole														
1SB7 452-6JA90-0AA0	4550	850	1140	1760	1180	250	130	200	450	1920	2720	200		
1SB7 452-6JA90-0AC0	4550	850	1140	1760	1180	500	130	200	450	1920	2970	200		



Motor type	Weight	Dimensions												
		A	AD	AE	B	C	D	E	H	HD	L	ML		
	kg	mm	mm	mm	mm	mm	mm	mm	mm	mm	mm	mm	mm	
Innomotics HV M - 1SB. IC611 11000 V / 50 Hz B3 (IM 1001) - Dimension drawings														
1SB7 452-6JA90-0CA0	4700	850	1140	1760	1180	250	130	200	450	1920	2720	200		
1SB7 452-6JA90-0CC0	4700	850	1140	1760	1180	500	130	200	450	1920	2970	200		
1SB7 453-6JA90-0AA0	4650	850	1140	1760	1180	250	130	200	450	1920	2720	200		
1SB7 453-6JA90-0AC0	4700	850	1140	1760	1180	500	130	200	450	1920	2970	200		
1SB7 453-6JA90-0CA0	4850	850	1140	1760	1180	250	130	200	450	1920	2720	200		
1SB7 453-6JA90-0CC0	4850	850	1140	1760	1180	500	130	200	450	1920	2970	200		
1SB7 454-6JA90-0AA0	4850	850	1140	1760	1180	250	130	200	450	1920	2720	200		
1SB7 454-6JA90-0AC0	4850	850	1140	1760	1180	500	130	200	450	1920	2970	200		
1SB7 454-6JA90-0CA0	5000	850	1140	1760	1180	250	130	200	450	1920	2720	200		
1SB7 454-6JA90-0CC0	5050	850	1140	1760	1180	500	130	200	450	1920	2970	200		
1SB7 457-6JA90-0AA0	5350	850	1140	1760	1400	250	130	200	450	1920	2930	200		
1SB7 457-6JA90-0AC0	5350	850	1140	1760	1400	500	130	200	450	1920	3180	200		
1SB7 457-6JA90-0CA0	5500	850	1140	1760	1400	250	130	200	450	1920	2930	200		
1SB7 457-6JA90-0CC0	5550	850	1140	1760	1400	500	130	200	450	1920	3180	200		
1SB7 458-6JA90-0CA0	5800	850	1140	1760	1400	250	130	200	450	1920	2930	200		
1SB7 458-6JA90-0CC0	5850	850	1140	1760	1400	500	130	200	450	1920	3180	200		
1SB7 458-6JA90-0AA0	5600	850	1140	1760	1400	250	130	200	450	1920	2930	200		
1SB7 458-6JA90-0AC0	5650	850	1140	1760	1400	500	130	200	450	1920	3180	200		
1SB7 502-6JA90-0CA0	6750	950	1220	1920	1320	315	160	240	500	2230	3060	250		
1SB7 502-6JA90-0CC0	6750	950	1220	1920	1320	560	170	240	500	2230	3300	250		
1SB7 502-6JA90-0AA0	6550	950	1220	1920	1320	315	160	240	500	2230	3060	250		
1SB7 502-6JA90-0AC0	6550	950	1220	1920	1320	560	170	240	500	2230	3300	250		
1SB7 503-6JA90-0CA0	7050	950	1220	1920	1320	315	160	240	500	2230	3060	250		

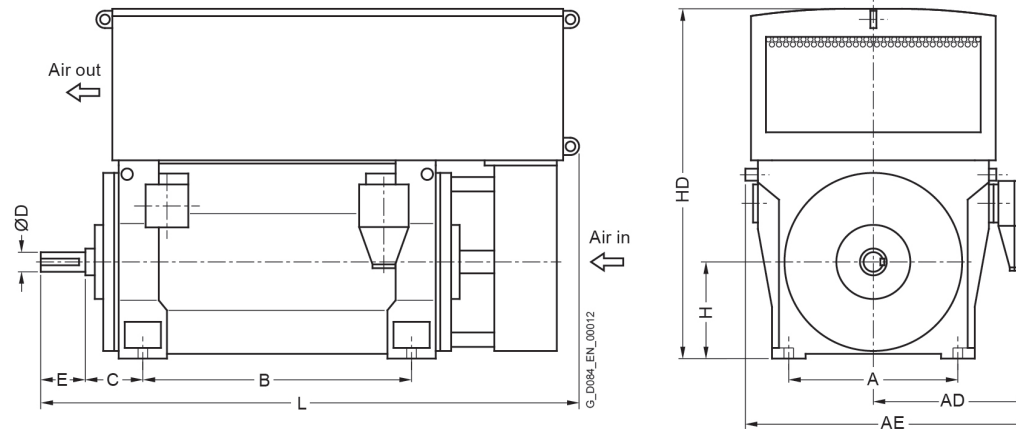


Motor type	Weight	Dimensions												
		A	AD	AE	B	C	D	E	H	HD	L	ML		
	kg	mm	mm	mm	mm	mm	mm	mm	mm	mm	mm	mm	mm	
Innomotics HV M - 1SB. IC611 11000 V / 50 Hz B3 (IM 1001) - Dimension drawings														
1SB7 503-6JA90-0CC0	7050	950	1220	1920	1320	560	170	240	500	2230	3300	250		
1SB7 503-6JA90-0AA0	6800	950	1220	1920	1320	315	160	240	500	2230	3060	250		
1SB7 503-6JA90-0AC0	6850	950	1220	1920	1320	560	170	240	500	2230	3300	250		
1SB7 504-6JA90-0AA0	7050	950	1220	1920	1320	315	160	240	500	2230	3060	250		
1SB7 504-6JA90-0AC0	7050	950	1220	1920	1320	560	170	240	500	2230	3300	250		
1SB7 504-6JA90-0CA0	7300	950	1220	1920	1320	315	160	240	500	2230	3060	250		
1SB7 504-6JA90-0CC0	7350	950	1220	1920	1320	560	170	240	500	2230	3300	250		
1SB7 507-6JA90-0CA0	8050	950	1220	1920	1500	315	160	240	500	2230	3270	250		
1SB7 507-6JA90-0CC0	8050	950	1220	1920	1500	560	170	240	500	2230	3510	250		
1SB7 507-6JA90-0AA0	7750	950	1220	1920	1500	315	160	240	500	2230	3270	250		
1SB7 507-6JA90-0AC0	7800	950	1220	1920	1500	560	170	240	500	2230	3510	250		
1SB7 508-6JA90-0AA0	8100	950	1220	1920	1500	315	160	240	500	2230	3270	250		
1SB7 508-6JA90-0AC0	8150	950	1220	1920	1500	560	170	240	500	2230	3510	250		
1SB7 508-6JA90-0CA0	8350	950	1220	1920	1500	315	160	240	500	2230	3270	250		
1SB7 508-6JA90-0CC0	8400	950	1220	1920	1500	560	170	240	500	2230	3510	250		
1SB7 561-6JA90-0CA0	8400	1060	1290	2060	1400	335	190	280	560	2350	3260	300		
1SB7 561-6JA90-0CC0	8450	1060	1290	2060	1400	600	190	280	560	2350	3530	300		
1SB7 562-6JA90-0CA0	8750	1060	1290	2060	1400	335	190	280	560	2350	3260	300		
1SB7 562-6JA90-0CC0	8800	1060	1290	2060	1400	600	190	280	560	2350	3530	300		
1SB7 564-6JA90-0CA0	9400	1060	1290	2060	1400	335	190	280	560	2350	3260	300		
1SB7 564-6JA90-0CC0	9450	1060	1290	2060	1400	600	190	280	560	2350	3530	300		
1SB7 567-6JA90-0CA0	10250	1060	1290	2060	1600	335	190	280	560	2350	3490	300		
1SB7 567-6JA90-0CC0	10300	1060	1290	2060	1600	600	190	280	560	2350	3760	300		

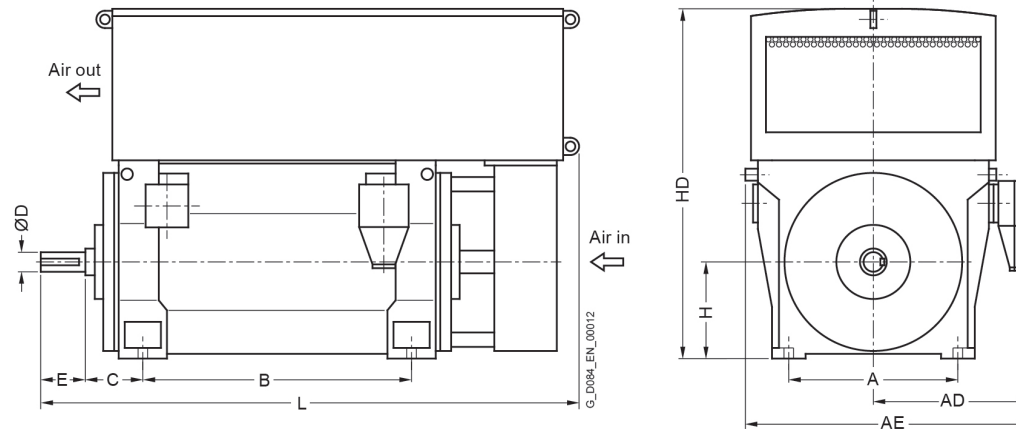


Motor type	Weight	Dimensions											
		A	AD	AE	B	C	D	E	H	HD	L	ML	
	kg	mm	mm	mm	mm	mm	mm	mm	mm	mm	mm	mm	mm
Innomotics HV M - 1SB. IC611 11000 V / 50 Hz B3 (IM 1001) - Dimension drawings													
1SB7 568-6JA90-0CA0	10850	1060	1290	2060	1600	335	190	280	560	2350	3490	300	
1SB7 568-6JA90-0CC0	10900	1060	1290	2060	1600	600	190	280	560	2350	3760	300	
1SB8 632-6JA90-0CG0	11350	1320	1520	2520	1600	375	200	280	630	2710	3530	350	
1SB8 632-6JA90-0CJ0	11400	1320	1520	2520	1600	630	200	280	630	2710	3790	350	
1SB8 633-6JA90-0CG0	11750	1320	1520	2520	1600	375	200	280	630	2710	3530	350	
1SB8 633-6JA90-0CJ0	11850	1320	1520	2520	1600	630	200	280	630	2710	3790	350	
1SB8 634-6JA90-0CG0	12300	1320	1520	2520	1600	375	200	280	630	2710	3530	350	
1SB8 634-6JA90-0CJ0	12350	1320	1520	2520	1600	630	200	280	630	2710	3790	350	
1SB8 637-6JA90-0CG0	13100	1320	1520	2520	1800	375	200	280	630	2710	3730	350	
1SB8 637-6JA90-0CJ0	13150	1320	1520	2520	1800	630	200	280	630	2710	3990	350	
1SB8 638-6JA90-0CG0	13650	1320	1520	2520	1800	375	200	280	630	2710	3730	350	
1SB8 638-6JA90-0CJ0	13700	1320	1520	2520	1800	630	200	280	630	2710	3990	350	
1SB8 712-6JA90-0CG0	15400	1500	1620	2720	2000	375	220	280	710	3090	3980	400	
1SB8 712-6JA90-0CJ0	15500	1500	1620	2720	2000	630	220	280	710	3090	4230	400	
1SB8 713-6JA90-0CG0	16300	1500	1620	2720	2000	375	220	280	710	3090	3980	400	
1SB8 713-6JA90-0CJ0	16450	1500	1620	2720	2000	630	220	280	710	3090	4230	400	
1SB8 714-6JA90-0CG0	17300	1500	1620	2720	2000	375	220	280	710	3090	3980	400	
1SB8 714-6JA90-0CJ0	17400	1500	1620	2720	2000	630	220	280	710	3090	4230	400	
1SB8 717-6JA90-0CG0	18850	1500	1620	2720	2240	375	220	280	710	3090	4220	400	
1SB8 717-6JA90-0CJ0	18950	1500	1620	2720	2240	630	220	280	710	3090	4470	400	
1SB8 718-6JA90-0CG0	19900	1500	1620	2720	2240	375	220	280	710	3090	4220	400	
1SB8 718-6JA90-0CJ0	20000	1500	1620	2720	2240	630	220	280	710	3090	4470	400	

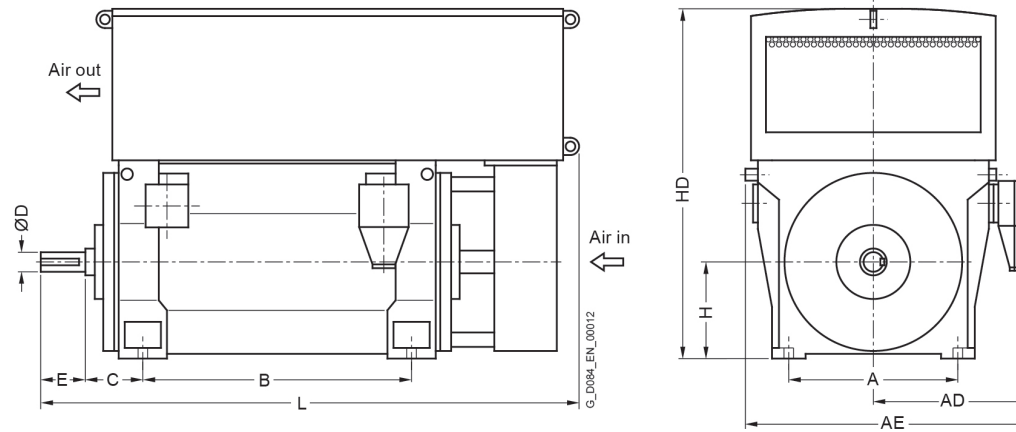
8-pole



Motor type	Weight	Dimensions												
		A	AD	AE	B	C	D	E	H	HD	L	ML		
	kg	mm	mm	mm	mm	mm	mm	mm	mm	mm	mm	mm	mm	
Innomotics HV M - 1SB. IC611 11000 V / 50 Hz B3 (IM 1001) - Dimension drawings														
1SB7 451-8JA90-0AA0	4500	850	1140	1760	1180	250	130	200	450	1920	2720	200		
1SB7 451-8JA90-0AC0	4500	850	1140	1760	1180	500	130	200	450	1920	2970	200		
1SB7 451-8JA90-0CA0	4650	850	1140	1760	1180	250	130	200	450	1920	2720	200		
1SB7 451-8JA90-0CC0	4650	850	1140	1760	1180	500	130	200	450	1920	2970	200		
1SB7 452-8JA90-0AA0	4650	850	1140	1760	1180	250	130	200	450	1920	2720	200		
1SB7 452-8JA90-0AC0	4650	850	1140	1760	1180	500	130	200	450	1920	2970	200		
1SB7 452-8JA90-0CA0	4800	850	1140	1760	1180	250	130	200	450	1920	2720	200		
1SB7 452-8JA90-0CC0	4800	850	1140	1760	1180	500	130	200	450	1920	2970	200		
1SB7 453-8JA90-0AA0	4850	850	1140	1760	1180	250	130	200	450	1920	2720	200		
1SB7 453-8JA90-0AC0	4850	850	1140	1760	1180	500	130	200	450	1920	2970	200		
1SB7 453-8JA90-0CA0	5000	850	1140	1760	1180	250	130	200	450	1920	2720	200		
1SB7 453-8JA90-0CC0	5050	850	1140	1760	1180	500	130	200	450	1920	2970	200		
1SB7 454-8JA90-0AA0	5100	850	1140	1760	1180	250	130	200	450	1920	2720	200		
1SB7 454-8JA90-0AC0	5100	850	1140	1760	1180	500	130	200	450	1920	2970	200		
1SB7 454-8JA90-0CA0	5250	850	1140	1760	1180	250	130	200	450	1920	2720	200		
1SB7 454-8JA90-0CC0	5250	850	1140	1760	1180	500	130	200	450	1920	2970	200		
1SB7 457-8JA90-0AA0	5600	850	1140	1760	1400	250	130	200	450	1920	2930	200		
1SB7 457-8JA90-0AC0	5600	850	1140	1760	1400	500	130	200	450	1920	3180	200		
1SB7 457-8JA90-0CA0	5800	850	1140	1760	1400	250	130	200	450	1920	2930	200		
1SB7 457-8JA90-0CC0	5800	850	1140	1760	1400	500	130	200	450	1920	3180	200		
1SB7 458-8JA90-0AA0	5850	850	1140	1760	1400	250	130	200	450	1920	2930	200		
1SB7 458-8JA90-0AC0	5850	850	1140	1760	1400	500	130	200	450	1920	3180	200		
1SB7 458-8JA90-0CA0	6050	850	1140	1760	1400	250	130	200	450	1920	2930	200		

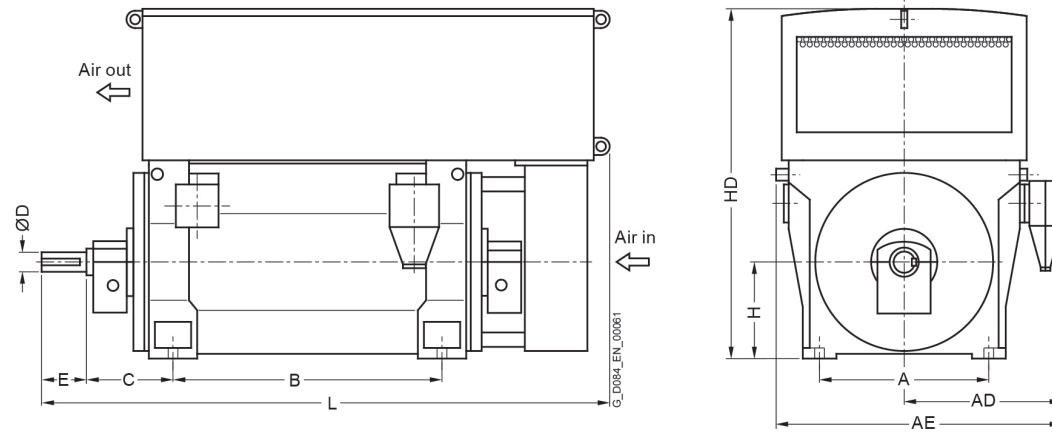


Motor type	Weight	Dimensions												
		A	AD	AE	B	C	D	E	H	HD	L	ML		
	kg	mm	mm	mm	mm	mm	mm	mm	mm	mm	mm	mm	mm	
Innomotics HV M - 1SB. IC611 11000 V / 50 Hz B3 (IM 1001) - Dimension drawings														
1SB7 458-8JA90-0CC0	6050	850	1140	1760	1400	500	130	200	450	1920	3180	200		
1SB7 501-8JA90-0AA0	5800	950	1220	1920	1320	315	160	240	500	2230	3060	250		
1SB7 501-8JA90-0AC0	5800	950	1220	1920	1320	560	170	240	500	2230	3300	250		
1SB7 501-8JA90-0CA0	5950	950	1220	1920	1320	315	160	240	500	2230	3060	250		
1SB7 501-8JA90-0CC0	5950	950	1220	1920	1320	560	170	240	500	2230	3300	250		
1SB7 502-8JA90-0AA0	6550	950	1220	1920	1320	315	160	240	500	2230	3060	250		
1SB7 502-8JA90-0AC0	6600	950	1220	1920	1320	560	170	240	500	2230	3300	250		
1SB7 502-8JA90-0CA0	6750	950	1220	1920	1320	315	160	240	500	2230	3060	250		
1SB7 502-8JA90-0CC0	6800	950	1220	1920	1320	560	170	240	500	2230	3300	250		
1SB7 503-8JA90-0AA0	6800	950	1220	1920	1320	315	160	240	500	2230	3060	250		
1SB7 503-8JA90-0AC0	6850	950	1220	1920	1320	560	170	240	500	2230	3300	250		
1SB7 507-8JA90-0AA0	7800	950	1220	1920	1500	315	160	240	500	2230	3270	250		
1SB7 507-8JA90-0AC0	7800	950	1220	1920	1500	560	170	240	500	2230	3510	250		
1SB7 507-8JA90-0CA0	8000	950	1220	1920	1500	315	160	240	500	2230	3270	250		
1SB7 507-8JA90-0CC0	8050	950	1220	1920	1500	560	170	240	500	2230	3510	250		
1SB7 508-8JA90-0AA0	8100	950	1220	1920	1500	315	160	240	500	2230	3270	250		
1SB7 508-8JA90-0AC0	8150	950	1220	1920	1500	560	170	240	500	2230	3510	250		
1SB7 508-8JA90-0CA0	8350	950	1220	1920	1500	315	160	240	500	2230	3270	250		
1SB7 508-8JA90-0CC0	8400	950	1220	1920	1500	560	170	240	500	2230	3510	250		
1SB7 563-8JA90-0CA0	8900	1060	1290	2060	1400	335	190	280	560	2350	3260	300		
1SB7 563-8JA90-0CC0	8950	1060	1290	2060	1400	600	190	280	560	2350	3530	300		
1SB7 564-8JA90-0CA0	9350	1060	1290	2060	1400	335	190	280	560	2350	3260	300		
1SB7 564-8JA90-0CC0	9400	1060	1290	2060	1400	600	190	280	560	2350	3530	300		



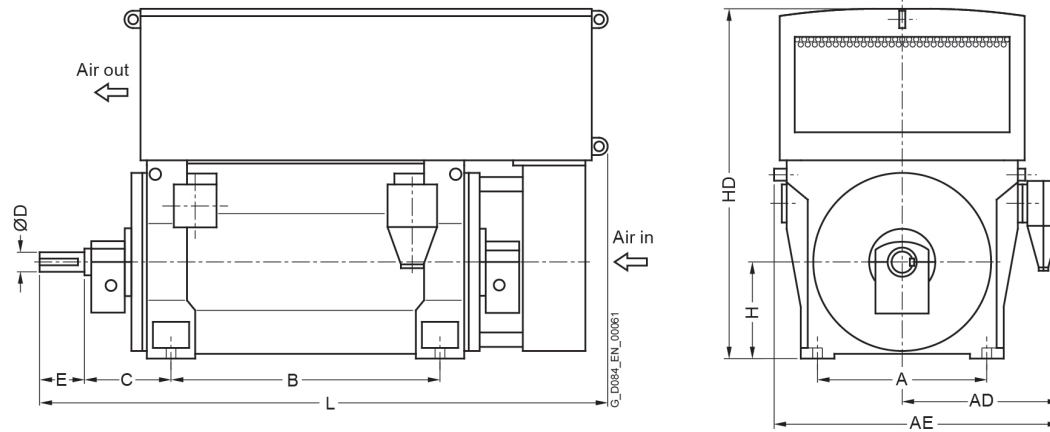
Motor type	Weight	Dimensions											
		A	AD	AE	B	C	D	E	H	HD	L	ML	
	kg	mm	mm	mm	mm	mm	mm	mm	mm	mm	mm	mm	mm
Innomotics HV M - 1SB. IC611 11000 V / 50 Hz B3 (IM 1001) - Dimension drawings													
1SB7 567-8JA90-0CA0	10250	1060	1290	2060	1600	335	190	280	560	2350	3490	300	
1SB7 567-8JA90-0CC0	10300	1060	1290	2060	1600	600	190	280	560	2350	3760	300	
1SB7 568-8JA90-0CA0	10750	1060	1290	2060	1600	335	190	280	560	2350	3490	300	
1SB7 568-8JA90-0CC0	10800	1060	1290	2060	1600	600	190	280	560	2350	3760	300	
1SB8 634-8JA90-0CG0	11400	1320	1520	2520	1600	375	200	280	630	2570	3530	350	
1SB8 634-8JA90-0CJ0	11500	1320	1520	2520	1600	630	200	280	630	2570	3790	350	
1SB8 637-8JA90-0CG0	12650	1320	1520	2520	1800	375	200	280	630	2570	3730	350	
1SB8 637-8JA90-0CJ0	12700	1320	1520	2520	1800	630	200	280	630	2570	3990	350	
1SB8 638-8JA90-0CG0	13350	1320	1520	2520	1800	375	200	280	630	2570	3730	350	
1SB8 638-8JA90-0CJ0	13450	1320	1520	2520	1800	630	200	280	630	2570	3990	350	
1SB8 712-8JA90-0CG0	14950	1500	1620	2720	2000	375	220	280	710	3090	3980	400	
1SB8 712-8JA90-0CJ0	15100	1500	1620	2720	2000	630	220	280	710	3090	4230	400	
1SB8 713-8JA90-0CG0	15750	1500	1620	2720	2000	375	220	280	710	3090	3980	400	
1SB8 713-8JA90-0CJ0	15900	1500	1620	2720	2000	630	220	280	710	3090	4230	400	
1SB8 714-8JA90-0CG0	16850	1500	1620	2720	2000	375	220	280	710	3090	3980	400	
1SB8 714-8JA90-0CJ0	17000	1500	1620	2720	2000	630	220	280	710	3090	4230	400	
1SB8 717-8JA90-0CG0	18450	1500	1620	2720	2240	375	220	280	710	3090	4220	400	
1SB8 717-8JA90-0CJ0	18650	1500	1620	2720	2240	630	220	280	710	3090	4470	400	
1SB8 718-8JA90-0CG0	19500	1500	1620	2720	2240	375	220	280	710	3090	4220	400	
1SB8 718-8JA90-0CJ0	19700	1500	1620	2720	2240	630	220	280	710	3090	4470	400	

Innomotics HV M - 1SB. IC611 13800 V / 60 Hz B3 (IM 1001)																			
Rated power IEC	Article No.	Speed	Rated current I_R	Efficiency				Power factor				Torque T_R	Breakdown torque T_B/ T_R	Locked rotor torque T_{LR}/ T_R	Locked rotor current I_{LR}/ I_R	Inertia			
				5/4 load	4/4 load	3/4 load	2/4 load	5/4 load	4/4 load	3/4 load	2/4 load					rotor	external	Startup max T/TR	
kW		rpm	A	%	%	%	%	cos φ	cos φ	cos φ	cos φ	Nm	[-]	[-]	[-]	kgm ²	kgm ²	[-]	
2-pole: $n_{sync} = 3600$ rpm at 60 Hz																			
4800	1SB8 633-2JA20-0CJ0	3587	235	95.7	95.8	94.9	93.1	0.89	0.90	0.90	0.87	12779	2.50	0.65	6.0	82	220	o.r.	
5900	1SB8 637-2JA20-0CJ0	3588	280	96.2	96.2	95.5	93.9	0.90	0.91	0.91	0.88	15703	2.60	0.60	6.0	98	240	o.r.	
7400	1SB8 714-2JA20-0CJ0	3589	355	96.1	95.9	95.2	93.5	0.90	0.91	0.91	0.89	19689	2.40	0.60	6.0	172	170	o.r.	
8500	1SB8 717-2JA20-0CJ0	3589	405	96.3	96.2	95.5	93.9	0.90	0.91	0.91	0.90	22616	2.50	0.55	6.0	200	180	o.r.	
4-pole: $n_{sync} = 1800$ rpm at 60 Hz																			
4950	1SB8 633-4JA20-0C.0	1792	240	96.2	96.3	96.0	94.9	0.89	0.90	0.88	0.84	26378	2.55	0.55	6.0	150	600	o.r.	
5700	1SB8 637-4JA20-0C.0	1792	270	96.4	96.6	96.4	95.4	0.89	0.91	0.90	0.88	30374	2.50	0.60	6.0	182	730	o.r.	
7250	1SB8 713-4JA20-0C.0	1793	345	96.6	96.8	96.6	95.7	0.89	0.91	0.90	0.87	38613	2.60	0.45	6.0	282	680	o.r.	
8800	1SB8 717-4JA20-0C.0	1793	415	96.9	97.0	96.9	96.2	0.90	0.91	0.91	0.88	46868	2.60	0.45	6.0	344	970	o.r.	
6-pole: $n_{sync} = 1200$ rpm at 60 Hz																			
4000	1SB8 633-6JA20-0C.0	1193	198	95.9	96.2	96.1	95.3	0.86	0.88	0.85	0.79	32018	2.40	0.55	5.5	209	1060	o.r.	
4850	1SB8 637-6JA20-0C.0	1193	240	96.3	96.5	96.4	95.6	0.86	0.88	0.85	0.79	38822	2.40	0.55	5.5	246	1560	o.r.	
6800	1SB8 714-6JA20-0C.0	1195	335	96.8	97.0	97.0	96.4	0.87	0.88	0.86	0.81	54339	2.40	0.50	5.5	421	1830	o.r.	
7500	1SB8 717-6JA20-0C.0	1195	365	96.9	97.2	97.1	96.5	0.87	0.88	0.87	0.82	59933	2.40	0.50	5.5	475	2090	o.r.	

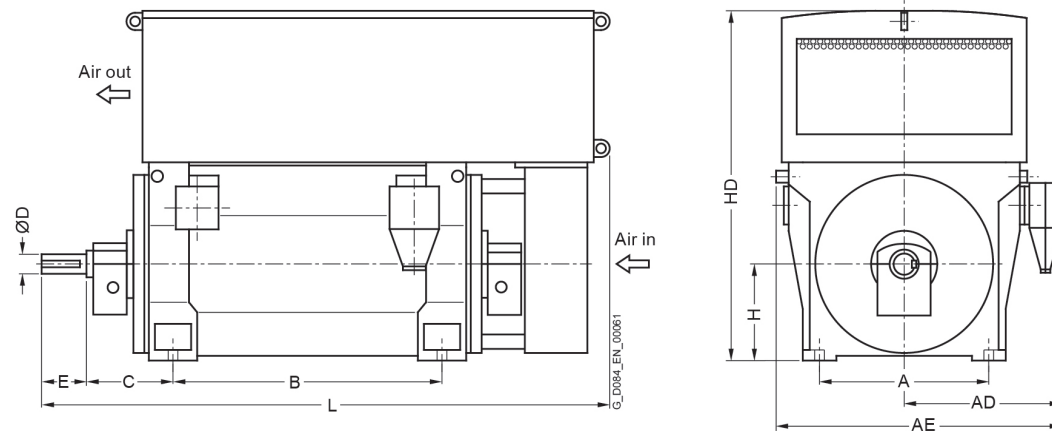


Motor type	Weight kg	Dimensions										
		A mm	AD mm	AE mm	B mm	C mm	D mm	E mm	H mm	HD mm	L mm	ML mm
Innomotics HV M - 1SB. IC611 13800 V / 60 Hz B3 (IM 1001) - Dimension drawings												
2-pole												
1SB8 633-2JA20-0CJ0	10400	1320	1647	2647	1600	560	160	240	630	2710	3680	350
1SB8 637-2JA20-0CJ0	11750	1320	1647	2647	1800	560	160	240	630	2710	3880	350
1SB8 714-2JA20-0CJ0	15500	1500	1747	2847	2000	560	180	240	710	3090	4400	400
1SB8 717-2JA20-0CJ0	17350	1500	1747	2847	2240	560	180	240	710	3090	4640	400
4-pole												
1SB8 633-4JA20-0CG0	11100	1320	1647	2647	1600	375	200	280	630	2710	3530	350
1SB8 633-4JA20-0CJ0	11200	1320	1647	2647	1600	630	200	280	630	2710	3790	350
1SB8 637-4JA20-0CG0	12500	1320	1647	2647	1800	375	200	280	630	2710	3730	350
1SB8 637-4JA20-0CJ0	12600	1320	1647	2647	1800	630	200	280	630	2710	3990	350
1SB8 713-4JA20-0CG0	15750	1500	1747	2847	2000	375	220	280	710	3090	3980	400
1SB8 713-4JA20-0CJ0	15900	1500	1747	2847	2000	630	220	280	710	3090	4230	400
1SB8 717-4JA20-0CG0	17950	1500	1747	2847	2240	375	220	280	710	3090	4220	400
1SB8 717-4JA20-0CJ0	18050	1500	1747	2847	2240	630	220	280	710	3090	4470	400
6-pole												
1SB8 633-6JA20-0CG0	11600	1320	1647	2647	1600	375	200	280	630	2710	3530	350
1SB8 633-6JA20-0CJ0	11650	1320	1647	2647	1600	630	200	280	630	2710	3790	350
1SB8 637-6JA20-0CG0	12950	1320	1647	2647	1800	375	200	280	630	2710	3730	350
1SB8 637-6JA20-0CJ0	13000	1320	1647	2647	1800	630	200	280	630	2710	3990	350
1SB8 714-6JA20-0CG0	17100	1500	1747	2847	2000	375	220	280	710	3090	3980	400
1SB8 714-6JA20-0CJ0	17200	1500	1747	2847	2000	630	220	280	710	3090	4230	400
1SB8 717-6JA20-0CG0	18650	1500	1747	2847	2240	375	220	280	710	3090	4220	400
1SB8 717-6JA20-0CJ0	18750	1500	1747	2847	2240	630	220	280	710	3090	4470	400

Innomotics HV M - 1SF. IC611 6000 V / 50 Hz B3 (IM 1001)																			
Rated power IEC	Article No.	Speed	Rated current I_R	Efficiency				Power factor				Torque T_R	Breakdown torque T_B/ T_R	Locked rotor torque T_{LR}/ T_R	Locked rotor current I_{LR}/ I_R	Inertia			
				5/4 load	4/4 load	3/4 load	2/4 load	5/4 load	4/4 load	3/4 load	2/4 load					motor	external	Startup max T/TR	
kW		rpm	A	%	%	%	%	cos φ	cos φ	cos φ	cos φ	Nm	[-]	[-]	[-]	kgm ²	kgm ²	[-]	
2-pole: $n_{sync} = 3000$ rpm at 50 Hz																			
6200	1SF8 633-2JA60-0CJ0	2983	690	96.4	96.8	96.5	95.7	0.87	0.89	0.93	0.93	19848	2.15	0.55	4.9	82	240	o.r.	
6800	1SF8 634-2JA60-0CJ0	2984	750	96.6	96.9	96.7	95.9	0.88	0.90	0.93	0.93	21761	2.30	0.60	5.2	90	250	o.r.	
7500	1SF8 637-2JA60-0CJ0	2985	820	96.8	97.1	96.9	96.1	0.89	0.91	0.94	0.94	23993	2.45	0.65	5.6	99	260	o.r.	
8300	1SF8 638-2JA60-0CJ0	2985	900	97.0	97.2	97.0	96.3	0.90	0.91	0.94	0.94	26552	2.50	0.70	5.6	108	250	o.r.	
4-pole: $n_{sync} = 1500$ rpm at 50 Hz																			
6900	1SF8 637-4JA60-0C.0	1492	760	97.1	97.4	97.5	97.3	0.89	0.90	0.89	0.85	44162	2.45	0.60	5.7	182	780	o.r.	
6-pole: $n_{sync} = 1000$ rpm at 50 Hz																			
4500	1SF8 632-6JA60-0C.2	993	520	96.4	96.8	97.0	96.6	0.85	0.86	0.83	0.75	43275	2.30	0.65	5.0	193	2110	o.r.	
4650	1SF8 633-6JA60-0C.0	993	530	96.4	96.9	97.0	96.7	0.85	0.87	0.84	0.77	44717	2.30	0.65	5.1	209	2400	o.r.	
5350	1SF8 634-6JA60-0C.0	993	620	96.5	97.0	97.1	96.8	0.85	0.86	0.84	0.77	51449	2.25	0.55	4.9	227	2420	o.r.	
5700	1SF8 637-6JA60-0C.0	993	650	96.6	97.0	97.2	96.9	0.85	0.87	0.84	0.78	54815	2.25	0.60	5.0	247	2740	o.r.	
6200	1SF8 638-6JA60-0C.0	993	710	96.7	97.1	97.3	97.0	0.85	0.87	0.84	0.78	59623	2.25	0.60	5.0	265	2900	o.r.	
8-pole: $n_{sync} = 750$ rpm at 50 Hz																			
3400	1SF8 634-8JA60-0C.0	744	395	95.7	96.2	96.2	95.8	0.85	0.86	0.82	0.73	43639	2.20	0.50	4.7	251	4800	o.r.	
4000	1SF8 637-8JA60-0C.2	744	470	96.1	96.5	96.4	96.0	0.85	0.85	0.81	0.72	51340	2.30	0.55	5.0	292	6470	o.r.	
4400	1SF8 638-8JA60-0C.0	744	510	96.2	96.6	96.6	96.2	0.86	0.86	0.82	0.74	56474	2.30	0.55	5.0	326	7130	o.r.	

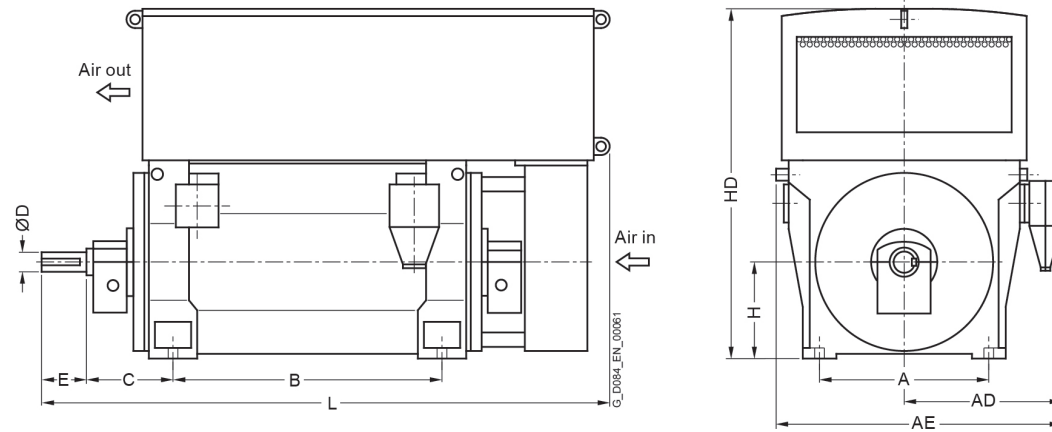


Motor type	Weight	Dimensions												
		A	AD	AE	B	C	D	E	H	HD	L	ML		
	kg	mm	mm	mm	mm	mm	mm	mm	mm	mm	mm	mm	mm	
Innomotics HV M - 1SF. IC611 6000 V / 50 Hz B3 (IM 1001) - Dimension drawings														
2-pole														
1SF8 633-2JA60-0CJ0	10600	1320	1520	2520	1600	560	160	240	630	2710	3670	350		
1SF8 634-2JA60-0CJ0	11100	1320	1520	2520	1600	560	160	240	630	2710	3670	350		
1SF8 637-2JA60-0CJ0	12000	1320	1520	2520	1800	560	160	240	630	2710	3870	350		
1SF8 638-2JA60-0CJ0	12600	1320	1520	2520	1800	560	160	240	630	2710	3870	350		
4-pole														
1SF8 637-4JA60-0CG0	12600	1320	1520	2520	1800	375	200	280	630	2710	3730	350		
1SF8 637-4JA60-0CJ0	12750	1320	1520	2520	1800	630	200	280	630	2710	3980	350		
6-pole														
1SF8 632-6JA60-0CG2	11350	1320	1520	2520	1600	375	200	280	630	2710	3530	350		
1SF8 632-6JA60-0CJ2	11400	1320	1520	2520	1600	630	200	280	630	2710	3780	350		
1SF8 633-6JA60-0CG0	11700	1320	1520	2520	1600	375	200	280	630	2710	3530	350		
1SF8 633-6JA60-0CJ0	11800	1320	1520	2520	1600	630	200	280	630	2710	3780	350		
1SF8 634-6JA60-0CG0	12350	1320	1520	2520	1600	375	200	280	630	2710	3530	350		
1SF8 634-6JA60-0CJ0	12400	1320	1520	2520	1600	630	200	280	630	2710	3780	350		
1SF8 637-6JA60-0CG0	13100	1320	1520	2520	1800	375	200	280	630	2710	3730	350		
1SF8 637-6JA60-0CJ0	13150	1320	1520	2520	1800	630	200	280	630	2710	3980	350		
1SF8 638-6JA60-0CG0	13650	1320	1520	2520	1800	375	200	280	630	2710	3730	350		
1SF8 638-6JA60-0CJ0	13750	1320	1520	2520	1800	630	200	280	630	2710	3980	350		
8-pole														
1SF8 634-8JA60-0CG0	11350	1320	1520	2520	1600	375	200	280	630	2710	3530	350		
1SF8 634-8JA60-0CJ0	11400	1320	1520	2520	1600	630	200	280	630	2710	3780	350		
1SF8 637-8JA60-0CG2	12550	1320	1520	2520	1800	375	200	280	630	2710	3730	350		

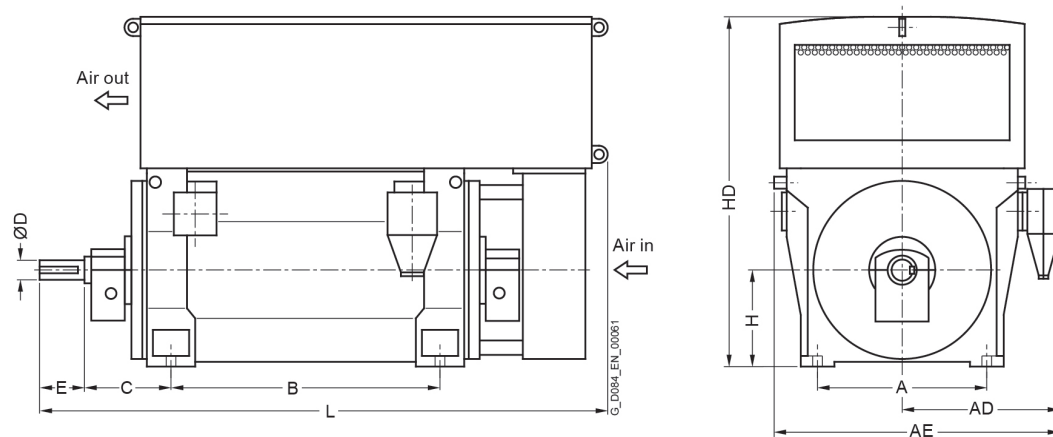


Motor type	Weight kg	Dimensions										
		A mm	AD mm	AE mm	B mm	C mm	D mm	E mm	H mm	HD mm	L mm	ML mm
Innomotics HV M - 1SF. IC611 6000 V / 50 Hz B3 (IM 1001) - Dimension drawings												
1SF8 637-8JA60-0CJ2	12600	1320	1520	2520	1800	630	200	280	630	2710	3980	350
1SF8 638-8JA60-0CG0	13300	1320	1520	2520	1800	375	200	280	630	2710	3730	350
1SF8 638-8JA60-0CJ0	13350	1320	1520	2520	1800	630	200	280	630	2710	3980	350

Innomotics HV M - 1SF. IC611 10000 V / 50 Hz B3 (IM 1001)																		
Rated power IEC	Article No.	Speed	Rated current I_R	Efficiency				Power factor				Torque T_R	Breakdown torque T_B/ T_R	Locked torque T_{LR}/ T_R	rotor Locked current I_{LR}/ I_R	Inertia		
				5/4 load	4/4 load	3/4 load	2/4 load	5/4 load	4/4 load	3/4 load	2/4 load					rotor	external	Startup max T/TR
kW		rpm	A	%	%	%	%	$\cos \varphi$	$\cos \varphi$	$\cos \varphi$	$\cos \varphi$	Nm	[-]	[-]	[-]	kgm ²	kgm ²	[-]
2-pole: $n_{sync} = 3000$ rpm at 50 Hz																		
5800	1SF8 633-2JA80-0CJ0	2984	390	96.4	96.7	96.4	95.6	0.87	0.89	0.93	0.93	18561	2.15	0.60	5.0	82	280	o.r.
6500	1SF8 634-2JA80-0CJ0	2984	430	96.5	96.8	96.6	95.8	0.87	0.90	0.93	0.93	20801	2.20	0.60	5.0	90	270	o.r.
6900	1SF8 637-2JA80-0CJ0	2986	450	96.7	97.0	96.7	95.8	0.90	0.91	0.94	0.93	22066	2.60	0.70	6.0	99	290	o.r.
7550	1SF8 638-2JA80-0CJ0	2986	490	96.9	97.1	96.9	96.1	0.90	0.92	0.94	0.94	24145	2.60	0.70	6.0	108	300	o.r.
4-pole: $n_{sync} = 1500$ rpm at 50 Hz																		
6600	1SF8 637-4JA80-0C.0	1492	440	97.0	97.4	97.4	97.1	0.88	0.89	0.88	0.83	42242	2.55	0.60	5.9	182	860	o.r.
7300	1SF8 638-4JA80-0C.0	1492	480	97.2	97.5	97.5	97.2	0.89	0.90	0.88	0.83	46722	2.65	0.70	6.2	198	900	o.r.
6-pole: $n_{sync} = 1000$ rpm at 50 Hz																		
4500	1SF8 633-6JA80-0C.2	993	310	96.3	96.8	97.0	96.6	0.85	0.87	0.84	0.77	43275	2.25	0.60	5.0	209	2540	o.r.
4800	1SF8 634-6JA80-0C.0	993	330	96.5	96.9	97.1	96.7	0.86	0.87	0.84	0.78	46160	2.30	0.60	5.1	227	2860	o.r.
5250	1SF8 637-6JA80-0C.0	993	360	96.5	97.0	97.1	96.8	0.86	0.87	0.85	0.78	50487	2.30	0.60	5.2	247	3130	o.r.
5700	1SF8 638-6JA80-0C.0	994	390	96.7	97.1	97.2	96.8	0.86	0.87	0.83	0.75	54760	2.55	0.70	5.6	265	3320	o.r.
8-pole: $n_{sync} = 750$ rpm at 50 Hz																		
3400	1SF8 634-8JA80-0C.0	743	240	95.7	96.2	96.2	95.9	0.85	0.85	0.82	0.74	43698	2.10	0.45	4.6	251	4710	o.r.
3700	1SF8 637-8JA80-0C.0	745	260	96.1	96.4	96.3	95.8	0.86	0.85	0.80	0.70	47426	2.50	0.55	5.4	292	6290	o.r.
4000	1SF8 638-8JA80-0C.2	745	280	96.2	96.5	96.4	95.8	0.86	0.85	0.80	0.69	51271	2.60	0.60	5.6	326	7210	o.r.



Motor type	Weight	Dimensions											
		A	AD	AE	B	C	D	E	H	HD	L	ML	
	kg	mm	mm	mm	mm	mm	mm	mm	mm	mm	mm	mm	mm
Innomotics HV M - 1SF. IC611 10000 V / 50 Hz B3 (IM 1001) - Dimension drawings													
2-pole													
1SF8 633-2JA80-0CJ0	10500	1320	1520	2520	1600	560	160	240	630	2710	3670	350	
1SF8 634-2JA80-0CJ0	10950	1320	1520	2520	1600	560	160	240	630	2710	3670	350	
1SF8 637-2JA80-0CJ0	11750	1320	1520	2520	1800	560	160	240	630	2710	3870	350	
1SF8 638-2JA80-0CJ0	12400	1320	1520	2520	1800	560	160	240	630	2710	3870	350	
4-pole													
1SF8 637-4JA80-0CG0	12550	1320	1520	2520	1800	375	200	280	630	2710	3730	350	
1SF8 637-4JA80-0CJ0	12650	1320	1520	2520	1800	630	200	280	630	2710	3980	350	
1SF8 638-4JA80-0CG0	13150	1320	1520	2520	1800	375	200	280	630	2710	3730	350	
1SF8 638-4JA80-0CJ0	13250	1320	1520	2520	1800	630	200	280	630	2710	3980	350	
6-pole													
1SF8 633-6JA80-0CG2	11700	1320	1520	2520	1600	375	200	280	630	2710	3530	350	
1SF8 633-6JA80-0CJ2	11750	1320	1520	2520	1600	630	200	280	630	2710	3780	350	
1SF8 634-6JA80-0CG0	12200	1320	1520	2520	1600	375	200	280	630	2710	3530	350	
1SF8 634-6JA80-0CJ0	12300	1320	1520	2520	1600	630	200	280	630	2710	3780	350	
1SF8 637-6JA80-0CG0	12950	1320	1520	2520	1800	375	200	280	630	2710	3730	350	
1SF8 637-6JA80-0CJ0	13050	1320	1520	2520	1800	630	200	280	630	2710	3980	350	
1SF8 638-6JA80-0CG0	13500	1320	1520	2520	1800	375	200	280	630	2710	3730	350	
1SF8 638-6JA80-0CJ0	13550	1320	1520	2520	1800	630	200	280	630	2710	3980	350	
8-pole													
1SF8 634-8JA80-0CG0	11350	1320	1520	2520	1600	375	200	280	630	2710	3530	350	
1SF8 634-8JA80-0CJ0	11400	1320	1520	2520	1600	630	200	280	630	2710	3780	350	
1SF8 637-8JA80-0CG0	12500	1320	1520	2520	1800	375	200	280	630	2710	3730	350	



Motor type	Weight	Dimensions										
		A	AD	AE	B	C	D	E	H	HD	L	ML
	kg	mm	mm	mm	mm	mm	mm	mm	mm	mm	mm	mm
Innomotics HV M - 1SF. IC611 10000 V / 50 Hz B3 (IM 1001) - Dimension drawings												
1SF8 637-8JA80-0CJ0	12550	1320	1520	2520	1800	630	200	280	630	2710	3980	350
1SF8 638-8JA80-0CG2	13200	1320	1520	2520	1800	375	200	280	630	2710	3730	350
1SF8 638-8JA80-0CJ2	13250	1320	1520	2520	1800	630	200	280	630	2710	3980	350

Innomotics HV M - 1SB. IC616 6000 V / 50 Hz B3 (IM 1001)																		
Rated power IEC	Article No.	Speed	Rated current I_R	Efficiency				Power factor				Torque T_R	Breakdown torque T_B/ T_R	Locked rotor torque T_{LR}/ T_R	Locked rotor current I_{LR}/ I_R	Inertia		
				5/4 load	4/4 load	3/4 load	2/4 load	5/4 load	4/4 load	3/4 load	2/4 load					motor	external	Startup max T/TR
kW		rpm	A	%	%	%	%	cos φ	cos φ	cos φ	cos φ	Nm	[-]	[-]	[-]	kgm ²	kgm ²	[-]
2-pole: $n_{sync} = 3000$ rpm at 50 Hz																		
1410	1SB7 453-2KA60-0A.2	2978	158	95.5	95.9	96.1	95.5	0.88	0.89	0.88	0.84	4525	2.40	0.55	5.5	10	55	o.r.
1440	1SB7 453-2KA60-0C.2	2976	162	95.4	96.0	96.2	95.8	0.87	0.89	0.89	0.86	4625	2.15	0.55	4.7	14	135	o.r.
1600	1SB7 454-2KA60-0A.2	2978	180	95.6	96.0	96.1	95.5	0.88	0.89	0.88	0.83	5133	2.40	0.55	5.5	11	55	o.r.
1600	1SB7 454-2KA60-0C.2	2978	178	95.6	96.1	96.1	95.5	0.88	0.90	0.89	0.85	5131	2.45	0.60	5.4	15	135	o.r.
1800	1SB7 457-2KA60-0A.2	2976	200	95.6	96.1	96.4	96.1	0.88	0.90	0.90	0.87	5778	2.40	0.55	5.5	12	55	o.r.
1800	1SB7 457-2KA60-0C.2	2978	200	95.7	96.2	96.3	95.9	0.90	0.90	0.90	0.87	5774	2.50	0.65	5.5	16	135	o.r.
2000	1SB7 458-2KA60-0A.2	2976	220	95.9	96.3	96.5	96.1	0.89	0.90	0.90	0.86	6419	2.50	0.60	5.6	13	60	o.r.
2000	1SB7 458-2KA60-0C.2	2978	220	95.9	96.4	96.6	96.1	0.89	0.90	0.90	0.87	6416	2.50	0.65	5.5	18	140	o.r.
2120	1SB7 503-2KA60-0A.2	2970	240	95.7	96.2	96.4	96.2	0.88	0.89	0.88	0.84	6817	2.50	0.65	4.9	15	44	o.r.
2200	1SB7 503-2KA60-0C.2	2975	245	95.9	96.4	96.6	96.3	0.88	0.89	0.89	0.86	7065	2.35	0.65	4.6	20	120	o.r.
2160	1SB7 504-2KA60-0A.2	2971	240	95.9	96.3	96.5	96.2	0.89	0.90	0.88	0.84	6941	2.65	0.60	5.2	15	52	o.r.
2260	1SB7 504-2KA60-0C.2	2975	250	96.0	96.4	96.6	96.4	0.89	0.90	0.90	0.85	7255	2.50	0.65	4.8	21	124	o.r.
2510	1SB7 507-2KA60-0A.2	2973	280	96.2	96.6	96.8	96.5	0.90	0.90	0.89	0.84	8061	2.75	0.75	5.6	18	58	o.r.
2630	1SB7 507-2KA60-0C.2	2977	290	96.3	96.7	96.9	96.6	0.90	0.91	0.90	0.86	8437	2.60	0.75	5.1	24	128	o.r.
2700	1SB7 508-2KA60-0A.2	2975	295	96.4	96.8	96.9	96.7	0.91	0.91	0.90	0.85	8664	2.95	0.85	6.1	20	72	o.r.
2840	1SB7 508-2KA60-0C.2	2979	305	96.5	96.9	97.0	96.8	0.91	0.92	0.91	0.87	9105	2.75	0.85	5.6	27	144	o.r.
3200	1SB7 562-2KA60-0CC2	2984	350	96.3	96.4	96.3	95.6	0.91	0.91	0.90	0.86	10247	2.55	0.70	5.8	41	260	o.r.
3550	1SB7 563-2KA60-0CC2	2984	390	96.5	96.6	96.5	95.8	0.90	0.91	0.90	0.86	11367	2.55	0.65	5.7	44	270	o.r.
4000	1SB7 564-2KA60-0CC2	2983	440	96.4	96.5	96.3	95.6	0.91	0.91	0.91	0.87	12814	2.45	0.65	5.5	47	275	o.r.
4500	1SB7 567-2KA60-0CC2	2984	485	96.6	96.7	96.5	95.8	0.92	0.92	0.91	0.87	14407	2.60	0.65	5.9	52	275	o.r.
5000	1SB7 568-2KA60-0CC2	2986	540	96.9	96.8	96.7	95.9	0.92	0.92	0.90	0.86	15993	2.85	0.65	5.9	58	295	o.r.
5600	1SB8 633-2KA60-0CJ0	2983	630	96.4	96.7	96.4	95.5	0.87	0.89	0.90	0.88	17927	2.20	0.60	5.2	82	250	o.r.
6100	1SB8 634-2KA60-0CJ0	2983	670	96.5	96.9	96.6	95.8	0.88	0.90	0.90	0.89	19528	2.20	0.60	5.2	90	250	o.r.
6750	1SB8 637-2KA60-0CJ0	2984	740	96.8	97.1	96.8	96.0	0.89	0.91	0.91	0.90	21601	2.35	0.65	5.5	99	260	o.r.
7300	1SB8 638-2KA60-0CJ0	2985	790	96.9	97.2	96.9	96.1	0.90	0.91	0.91	0.89	23353	2.50	0.65	5.9	107	270	o.r.
7950	1SB8 712-2KA60-0CJ0	2986	890	96.6	96.7	96.5	95.6	0.86	0.89	0.89	0.88	25424	2.00	0.55	4.7	149	190	o.r.
8550	1SB8 713-2KA60-0CJ0	2987	940	96.7	96.9	96.6	95.7	0.87	0.90	0.90	0.88	27334	2.15	0.60	5.1	160	149	o.r.
8800	1SB8 714-2KA60-0CJ0	2988	970	96.8	96.9	96.6	95.7	0.88	0.90	0.90	0.88	28124	2.25	0.45	5.2	172	240	o.r.
9100	1SB8 716-2KA60-0CJ0	2985	990	96.8	97.0	96.8	96.1	0.88	0.91	0.92	0.92	29112	2.05	0.55	4.8	186	210	o.r.
10100	1SB8 717-2KA60-0CJ0	2986	1100	97.0	97.2	97.0	96.4	0.88	0.91	0.92	0.91	32300	2.05	0.55	4.9	201	220	o.r.
11000	1SB8 718-2KA60-0CJ0	2988	1180	97.3	97.4	97.1	96.4	0.90	0.92	0.91	0.90	35155	2.25	0.50	5.4	217	250	o.r.
4-pole: $n_{sync} = 1500$ rpm at 50 Hz																		
1320	1SB7 453-4KA60-0A.2	1483	150	95.0	95.7	95.8	95.6	0.87	0.88	0.86	0.80	8504	2.50	0.70	5.7	17	275	o.r.
1400	1SB7 453-4KA60-0C.2	1486	160	95.2	95.8	96.0	95.8	0.87	0.88	0.87	0.82	9008	2.25	0.50	5.0	23	500	o.r.
1430	1SB7 454-4KA60-0A.0	1484	166	95.1	95.7	95.9	95.6	0.87	0.87	0.83	0.74	9206	2.70	0.85	5.9	19	325	o.r.
1600	1SB7 454-4KA60-0C.2	1486	182	95.4	96.0	96.2	95.9	0.87	0.88	0.86	0.80	10288	2.35	0.50	5.0	26	535	o.r.

Innomotics HV M - 1SB. IC616 6000 V / 50 Hz B3 (IM 1001)																		
Rated power IEC	Article No.	Speed	Rated current I_R	Efficiency				Power factor				Torque T_R	Breakdown torque T_B/ T_R	Locked rotor torque T_{LR}/ T_R	Locked rotor current I_{LR}/ I_R	Inertia		
				5/4 load	4/4 load	3/4 load	2/4 load	5/4 load	4/4 load	3/4 load	2/4 load					motor	external	Startup max T/TR
kW		rpm	A	%	%	%	%	cos φ	cos φ	cos φ	cos φ	Nm	[-]	[-]	[-]	kgm ²	kgm ²	[-]
1800	1SB7 457-4KA60-0C.2	1488	205	95.9	96.3	96.4	96.1	0.88	0.88	0.86	0.79	11554	2.65	0.60	6.0	30	690	o.r.
1660	1SB7 457-4KA60-0A.2	1484	184	95.5	96.1	96.3	96.1	0.89	0.90	0.88	0.83	10686	2.65	0.80	5.8	22	375	o.r.
2000	1SB7 458-4KA60-0C.2	1489	225	96.0	96.4	96.5	96.2	0.88	0.88	0.86	0.78	12833	2.75	0.60	6.0	33	730	o.r.
1800	1SB7 458-4KA60-0A.2	1485	200	95.7	96.2	96.4	96.2	0.89	0.90	0.88	0.83	11581	2.75	0.85	6.0	24	410	o.r.
2170	1SB7 503-4KA60-0C.2	1488	245	96.0	96.4	96.6	96.2	0.89	0.89	0.87	0.82	13931	2.55	0.65	5.2	45	690	o.r.
2100	1SB7 503-4KA60-0A.2	1485	235	95.7	96.3	96.6	96.3	0.88	0.90	0.89	0.85	13517	2.30	0.80	5.1	37	560	o.r.
2370	1SB7 504-4KA60-0C.2	1489	260	96.2	96.6	96.7	96.3	0.89	0.90	0.87	0.82	15207	2.60	0.70	5.5	50	735	o.r.
2240	1SB7 504-4KA60-0A.2	1485	250	95.8	96.4	96.7	96.4	0.89	0.90	0.89	0.86	14412	2.40	0.90	5.4	40	605	o.r.
2650	1SB7 507-4KA60-0C.2	1490	295	96.4	96.7	96.9	96.4	0.89	0.90	0.87	0.82	16997	2.60	0.70	5.5	56	825	o.r.
2470	1SB7 507-4KA60-0A.2	1485	270	96.0	96.5	96.8	96.6	0.89	0.91	0.90	0.87	15890	2.50	0.95	5.6	46	675	o.r.
2880	1SB7 508-4KA60-0C.2	1491	320	96.5	96.8	96.9	96.5	0.89	0.89	0.87	0.81	18460	2.90	0.75	6.0	62	865	o.r.
2700	1SB7 508-4KA60-0A.2	1488	300	96.2	96.7	97.0	96.8	0.89	0.90	0.90	0.87	17368	2.45	0.90	5.6	50	795	o.r.
3150	1SB7 563-4KA60-0C.2	1491	355	96.6	96.9	97.1	96.8	0.88	0.88	0.87	0.83	20188	2.35	0.65	5.6	80	680	o.r.
3600	1SB7 564-4KA60-0C.2	1490	401	96.6	97.0	97.2	97.0	0.88	0.89	0.89	0.86	23090	2.20	0.60	5.2	90	780	o.r.
4100	1SB7 566-4KA60-0C.2	1490	451	96.7	97.1	97.3	97.2	0.88	0.90	0.90	0.87	26297	2.20	0.70	5.3	100	780	o.r.
4650	1SB7 567-4KA60-0C.2	1491	517	97.0	97.2	97.4	97.2	0.88	0.89	0.88	0.84	29796	2.40	0.65	5.7	109	860	o.r.
5000	1SB7 568-4KA60-0C.2	1492	556	97.1	97.3	97.5	97.1	0.89	0.89	0.87	0.81	32005	2.70	0.80	6.5	119	830	o.r.
5500	1SB8 633-4KA60-0C.0	1491	610	96.6	97.0	96.9	96.4	0.88	0.89	0.88	0.84	35225	2.40	0.60	5.7	151	660	o.r.
5850	1SB8 634-4KA60-0C.0	1491	640	96.7	97.0	97.0	96.5	0.88	0.90	0.89	0.85	37467	2.40	0.60	5.8	166	760	o.r.
6550	1SB8 637-4KA60-0C.0	1492	720	96.9	97.2	97.1	96.6	0.89	0.90	0.88	0.84	41922	2.50	0.60	6.0	181	820	o.r.
7250	1SB8 638-4KA60-0C.0	1492	810	97.0	97.3	97.2	96.7	0.88	0.89	0.87	0.81	46402	2.55	0.60	6.0	197	910	o.r.
7950	1SB8 712-4KA60-0C.0	1492	880	97.0	97.3	97.3	96.8	0.88	0.89	0.88	0.84	50883	2.35	0.50	5.5	258	830	o.r.
8450	1SB8 713-4KA60-0C.0	1492	940	97.2	97.4	97.4	96.9	0.89	0.89	0.88	0.84	54083	2.50	0.50	5.8	282	930	o.r.
9150	1SB8 714-4KA60-0C.0	1493	1000	97.3	97.5	97.5	97.1	0.89	0.90	0.89	0.85	58524	2.60	0.55	6.0	310	1040	o.r.
10100	1SB8 717-4KA60-0C.0	1493	1100	97.4	97.6	97.6	97.2	0.89	0.90	0.89	0.85	64600	2.60	0.55	6.0	344	1140	o.r.
10350	1SB8 718-4KA60-0C.0	1492	1120	97.3	97.6	97.7	97.3	0.90	0.91	0.91	0.89	66243	2.55	0.55	6.0	365	1170	o.r.
6-pole: n_{sync} = 1000 rpm at 50 Hz																		
1080	1SB7 453-6KA60-0A.2	989	128	94.7	95.5	95.8	95.6	0.85	0.85	0.82	0.74	10435	2.20	0.80	5.1	22	845	o.r.
1100	1SB7 453-6KA60-0C.0	989	130	94.6	95.4	95.8	95.7	0.85	0.86	0.84	0.77	10628	2.25	0.65	5.0	30	1030	o.r.
1230	1SB7 454-6KA60-0C.2	989	146	94.9	95.6	95.9	95.8	0.85	0.85	0.83	0.75	11883	2.30	0.65	5.0	33	1300	o.r.
1120	1SB7 454-6KA60-0A.2	990	132	94.8	95.6	95.9	95.8	0.85	0.86	0.83	0.75	10816	2.40	0.85	5.5	24	875	o.r.
1320	1SB7 457-6KA60-0A.0	990	156	95.0	95.7	96.0	95.9	0.85	0.85	0.82	0.74	12747	2.40	0.80	5.3	28	1130	o.r.
1350	1SB7 457-6KA60-0C.0	989	158	95.0	95.7	96.0	96.0	0.85	0.86	0.84	0.77	13034	2.35	0.65	5.1	36	1365	o.r.
1420	1SB7 458-6KA60-0A.2	991	166	95.3	95.9	96.2	96.0	0.86	0.86	0.82	0.73	13697	2.55	0.90	5.8	31	1250	o.r.
1450	1SB7 458-6KA60-0C.2	990	168	95.3	96.0	96.2	96.1	0.86	0.87	0.84	0.77	13990	2.50	0.70	5.3	41	1470	o.r.
1880	1SB7 503-6KA60-0C.2	992	210	95.8	96.3	96.5	96.3	0.84	0.86	0.82	0.74	18109	2.35	0.75	4.7	60	1740	o.r.
1860	1SB7 503-6KA60-0A.2	990	210	95.4	96.1	96.5	96.5	0.84	0.86	0.84	0.78	17956	2.15	0.85	4.6	46	1560	o.r.

Innomotics HV M - 1SB. IC616 6000 V / 50 Hz B3 (IM 1001)																		
Rated power IEC	Article No.	Speed	Rated current I_R	Efficiency				Power factor				Torque T_R	Breakdown torque T_B/ T_R	Locked rotor torque T_{LR}/ T_R	Locked rotor current I_{LR}/ I_R	Inertia		
				5/4 load	4/4 load	3/4 load	2/4 load	5/4 load	4/4 load	3/4 load	2/4 load					motor	external	Startup max T/TR
kW		rpm	A	%	%	%	%	$\cos \varphi$	$\cos \varphi$	$\cos \varphi$	$\cos \varphi$	Nm	[-]	[-]	[-]	kgm ²	kgm ²	[-]
1960	1SB7 504-6KA60-0A.2	990	230	95.7	96.3	96.6	96.5	0.85	0.86	0.84	0.77	18901	2.35	0.90	5.0	51	1890	o.r.
2000	1SB7 504-6KA60-0C.2	992	230	95.9	96.4	96.7	96.5	0.85	0.86	0.84	0.77	19263	2.40	0.85	4.9	66	2070	o.r.
2280	1SB7 507-6KA60-0C.2	992	260	96.1	96.6	96.8	96.7	0.85	0.86	0.84	0.77	21960	2.35	0.75	4.8	74	2440	o.r.
2000	1SB7 507-6KA60-0A.2	990	230	95.6	96.2	96.7	96.7	0.86	0.86	0.87	0.82	19302	2.15	0.90	4.7	58	1800	o.r.
2310	1SB7 508-6KA60-0C.2	992	265	96.1	96.7	96.9	96.8	0.86	0.86	0.86	0.80	22248	2.30	0.80	4.7	80	2270	o.r.
2260	1SB7 508-6KA60-0A.2	990	255	95.9	96.4	96.9	96.8	0.86	0.86	0.86	0.82	21803	2.25	0.90	4.9	63	2240	o.r.
2500	1SB7 561-6KA60-0C.2	992	290	95.8	96.3	96.6	96.5	0.85	0.86	0.85	0.81	24089	1.90	0.60	5.5	97	2025	o.r.
2700	1SB7 562-6KA60-0C.2	992	315	96.0	96.4	96.7	96.7	0.85	0.86	0.85	0.82	26010	2.00	0.60	5.5	105	2245	o.r.
2900	1SB7 563-6KA60-0C.2	992	335	96.0	96.6	96.7	96.5	0.85	0.86	0.85	0.81	27928	2.00	0.60	5.5	113	2540	o.r.
3250	1SB7 564-6KA60-0C.2	992	375	96.1	96.6	96.8	96.6	0.85	0.86	0.86	0.81	31299	2.00	0.60	5.5	124	2485	o.r.
3450	1SB7 567-6KA60-0C.2	993	400	96.3	96.7	96.9	96.7	0.86	0.86	0.86	0.81	33189	2.00	0.60	5.5	137	2885	o.r.
3800	1SB7 568-6KA60-0C.2	993	440	96.6	96.9	97.0	96.8	0.86	0.86	0.85	0.80	36543	2.00	0.60	6.0	151	3430	o.r.
4200	1SB8 632-6KA60-0C.0	992	485	96.2	96.6	96.7	96.2	0.85	0.86	0.83	0.76	40430	2.25	0.55	5.1	193	2140	o.r.
4400	1SB8 633-6KA60-0C.0	992	500	96.2	96.7	96.8	96.4	0.85	0.87	0.85	0.80	42356	2.20	0.60	5.1	209	2370	o.r.
4850	1SB8 634-6KA60-0C.0	993	560	96.5	96.8	96.9	96.3	0.85	0.86	0.82	0.74	46641	2.40	0.60	5.4	227	2640	o.r.
5150	1SB8 637-6KA60-0C.0	993	590	96.6	96.9	96.9	96.4	0.86	0.87	0.83	0.76	49526	2.50	0.60	5.5	247	2930	o.r.
5400	1SB8 638-6KA60-0C.0	993	620	96.7	97.0	97.0	96.5	0.86	0.87	0.83	0.75	51930	2.50	0.60	5.5	264	3300	o.r.
6150	1SB8 712-6KA60-0C.0	993	700	96.8	97.2	97.3	96.9	0.85	0.87	0.85	0.79	59142	2.25	0.55	5.3	331	2520	o.r.
6700	1SB8 713-6KA60-0C.0	994	760	96.9	97.3	97.4	97.0	0.86	0.87	0.86	0.80	64366	2.30	0.55	5.4	373	2990	o.r.
7350	1SB8 714-6KA60-0C.0	995	840	97.1	97.4	97.4	96.9	0.85	0.86	0.83	0.74	70540	2.40	0.50	5.5	420	3730	o.r.
8150	1SB8 717-6KA60-0C.0	995	940	97.2	97.5	97.5	97.0	0.85	0.86	0.83	0.75	78218	2.45	0.50	5.5	474	4310	o.r.
8650	1SB8 718-6KA60-0C.0	995	960	97.2	97.6	97.7	97.4	0.88	0.89	0.87	0.83	83016	2.45	0.60	5.5	524	4370	o.r.
8-pole: $n_{sync} = 750$ rpm at 50 Hz																		
740	1SB7 452-8KA60-0A.0	739	93	93.8	94.9	95.4	95.3	0.79	0.81	0.78	0.70	9562	1.80	0.60	4.2	25	1710	o.r.
840	1SB7 453-8KA60-0A.0	739	104	94.0	95.1	95.5	95.5	0.80	0.81	0.78	0.70	10852	1.80	0.55	4.1	28	2070	o.r.
910	1SB7 454-8KA60-0A.2	740	114	94.4	95.3	95.6	95.4	0.81	0.81	0.77	0.68	11739	2.00	0.65	4.5	31	2310	o.r.
1010	1SB7 457-8KA60-0A.2	741	128	94.8	95.5	95.6	95.3	0.81	0.80	0.75	0.63	13015	2.20	0.70	4.8	35	2700	o.r.
1120	1SB7 458-8KA60-0A.2	741	140	94.7	95.5	95.7	95.5	0.81	0.81	0.76	0.65	14441	2.10	0.70	4.8	39	2750	o.r.
1250	1SB7 502-8KA60-0A.2	743	154	95.3	95.9	96.2	96.1	0.81	0.81	0.78	0.70	16082	2.15	0.85	4.3	46	2580	o.r.
1400	1SB7 503-8KA60-0A.2	742	172	95.3	96.0	96.4	96.4	0.82	0.82	0.79	0.73	18011	2.05	0.80	4.2	51	2660	o.r.
1400	1SB7 503-8KA60-0C.2	742	170	95.3	96.0	96.4	96.4	0.82	0.83	0.80	0.74	18021	2.10	0.55	4.0	65	3440	o.r.
1500	1SB7 504-8KA60-0A.2	743	180	95.5	96.1	96.5	96.5	0.81	0.83	0.81	0.74	19295	2.10	0.80	4.3	56	2900	o.r.
1520	1SB7 504-8KA60-0C.2	742	184	95.4	96.1	96.5	96.6	0.81	0.83	0.82	0.74	19567	2.10	0.55	4.0	72	4010	o.r.
1600	1SB7 507-8KA60-0A.2	744	194	95.8	96.3	96.5	96.3	0.83	0.82	0.79	0.69	20560	2.35	0.95	4.8	63	3560	o.r.
1600	1SB7 507-8KA60-0C.2	743	192	95.8	96.3	96.5	96.4	0.83	0.83	0.79	0.71	20564	2.40	0.70	4.6	80	4900	o.r.
1800	1SB7 508-8KA60-0A.2	743	215	95.8	96.4	96.7	96.7	0.83	0.83	0.81	0.74	23162	2.15	0.85	4.4	69	3520	o.r.
1800	1SB7 508-8KA60-0C.2	743	215	95.8	96.4	96.7	96.8	0.83	0.84	0.81	0.74	23164	2.25	0.60	4.3	88	5270	o.r.

Innomotics HV M - 1SB. IC616 6000 V / 50 Hz B3 (IM 1001)																		
Rated power IEC	Article No.	Speed	Rated current I_R	Efficiency				Power factor				Torque T_R	Breakdown torque T_B/ T_R	Locked rotor torque T_{LR}/ T_R	Locked rotor current I_{LR}/ I_R	Inertia		
				5/4 load	4/4 load	3/4 load	2/4 load	5/4 load	4/4 load	3/4 load	2/4 load					motor	external	Startup max T/TR
kW		rpm	A	%	%	%	%	$\cos \varphi$	$\cos \varphi$	$\cos \varphi$	$\cos \varphi$	Nm	[-]	[-]	[-]	kgm ²	kgm ²	[-]
2050	1SB7 563-8KA60-0C.2	744	245	95.8	96.3	96.6	96.4	0.83	0.83	0.80	0.73	26327	2.25	0.65	4.9	124	3105	o.r.
2240	1SB7 564-8KA60-0C.2	744	270	96.0	96.5	96.7	96.4	0.83	0.83	0.80	0.72	28750	2.35	0.65	5.2	137	3690	o.r.
2500	1SB7 567-8KA60-0C.2	744	295	96.1	96.6	96.9	96.6	0.83	0.84	0.81	0.74	32106	2.25	0.60	5.0	150	4895	o.r.
2800	1SB7 568-8KA60-0C.2	745	335	96.4	96.8	96.9	96.6	0.83	0.83	0.79	0.71	35921	2.45	0.70	5.4	165	6355	o.r.
2900	1SB8 633-8KA60-0C.0	743	340	95.5	96.1	96.2	95.9	0.84	0.85	0.82	0.74	37272	2.05	0.45	4.4	216	3890	o.r.
3550	1SB8 634-8KA60-0C.0	744	415	95.6	96.2	96.2	95.9	0.85	0.86	0.82	0.74	45565	2.20	0.50	4.8	251	3530	o.r.
3850	1SB8 637-8KA60-0C.0	744	450	96.1	96.4	96.4	95.9	0.85	0.85	0.80	0.70	49415	2.25	0.50	4.8	291	6660	o.r.
4100	1SB8 638-8KA60-0C.0	744	480	96.2	96.6	96.5	96.0	0.85	0.85	0.81	0.72	52624	2.25	0.50	4.9	324	7800	o.r.
4300	1SB8 712-8KA60-0C.0	745	455	96.3	96.7	96.8	96.4	0.87	0.87	0.84	0.77	55117	2.35	0.60	5.0	422	6050	o.r.
4600	1SB8 713-8KA60-0C.0	745	510	96.4	96.8	96.8	96.3	0.87	0.87	0.83	0.74	58962	2.50	0.55	5.3	472	5800	o.r.
5200	1SB8 714-8KA60-0C.0	745	570	96.6	96.9	96.9	96.5	0.87	0.87	0.83	0.75	66653	2.45	0.55	5.3	540	6300	o.r.
5800	1SB8 717-8KA60-0C.0	745	630	96.7	97.1	97.1	96.8	0.87	0.88	0.85	0.78	74344	2.40	0.60	5.2	618	8230	o.r.
6150	1SB8 718-8KA60-0C.0	745	690	96.8	97.1	97.2	96.9	0.88	0.88	0.85	0.79	78830	2.45	0.65	5.4	682	8470	o.r.

Motor type	Weight				Dimensions								
	kg	A mm	AD mm	AE mm	B mm	C mm	D mm	E mm	H mm	HD mm	L mm	ML mm	
Innomotics HV M - 1SB. IC616 6000 V / 50 Hz B3 (IM 1001) - Dimension drawings													
2-pole													
1SB7 453-2KA60-0AA2	4650	850	925	1545	1180	250	95	130	450	2350	2640	o.r.	
1SB7 453-2KA60-0AC2	4500	850	925	1545	1180	475	95	130	450	2350	2870	o.r.	
1SB7 453-2KA60-0CA2	4750	850	925	1545	1180	250	95	130	450	2350	2640	o.r.	
1SB7 453-2KA60-0CC2	4700	850	925	1545	1180	475	95	130	450	2350	2870	o.r.	
1SB7 454-2KA60-0AA2	4750	850	925	1545	1180	250	95	130	450	2350	2640	o.r.	
1SB7 454-2KA60-0AC2	4650	850	925	1545	1180	475	95	130	450	2350	2870	o.r.	
1SB7 454-2KA60-0CA2	4900	850	925	1545	1180	250	95	130	450	2350	2640	o.r.	
1SB7 454-2KA60-0CC2	4800	850	925	1545	1180	475	95	130	450	2350	2870	o.r.	
1SB7 457-2KA60-0AA2	5200	850	925	1545	1400	250	95	130	450	2350	2850	o.r.	
1SB7 457-2KA60-0AC2	5050	850	925	1545	1400	475	95	130	450	2350	3080	o.r.	
1SB7 457-2KA60-0CA2	5300	850	925	1545	1400	250	95	130	450	2350	2850	o.r.	
1SB7 457-2KA60-0CC2	5200	850	925	1545	1400	475	95	130	450	2350	3080	o.r.	
1SB7 458-2KA60-0AA2	5400	850	925	1545	1400	250	95	130	450	2350	2850	o.r.	
1SB7 458-2KA60-0AC2	5300	850	925	1545	1400	475	95	130	450	2350	3080	o.r.	
1SB7 458-2KA60-0CA2	5550	850	925	1545	1400	250	95	130	450	2350	2850	o.r.	
1SB7 458-2KA60-0CC2	5450	850	925	1545	1400	475	95	130	450	2350	3080	o.r.	
1SB7 503-2KA60-0AA2	6400	950	1005	1705	1320	250	110	165	500	2710	2920	o.r.	
1SB7 503-2KA60-0AC2	6350	950	1005	1705	1320	530	120	165	500	2710	3200	o.r.	
1SB7 503-2KA60-0CA2	6550	950	1005	1705	1320	250	110	165	500	2710	2920	o.r.	
1SB7 503-2KA60-0CC2	6500	950	1005	1705	1320	530	120	165	500	2710	3200	o.r.	
1SB7 504-2KA60-0AA2	6450	950	1005	1705	1320	250	110	165	500	2710	2920	o.r.	
1SB7 504-2KA60-0AC2	6400	950	1005	1705	1320	530	120	165	500	2710	3200	o.r.	
1SB7 504-2KA60-0CA2	6600	950	1005	1705	1320	250	110	165	500	2710	2920	o.r.	
1SB7 504-2KA60-0CC2	6550	950	1005	1705	1320	530	120	165	500	2710	3200	o.r.	
1SB7 507-2KA60-0AA2	7200	950	1005	1705	1500	250	110	165	500	2710	3130	o.r.	
1SB7 507-2KA60-0AC2	7150	950	1005	1705	1500	530	120	165	500	2710	3410	o.r.	
1SB7 507-2KA60-0CA2	7350	950	1005	1705	1500	250	110	165	500	2710	3130	o.r.	
1SB7 507-2KA60-0CC2	7300	950	1005	1705	1500	530	120	165	500	2710	3410	o.r.	
1SB7 508-2KA60-0AA2	7500	950	1005	1705	1500	250	110	165	500	2710	3130	o.r.	
1SB7 508-2KA60-0AC2	7450	950	1005	1705	1500	530	120	165	500	2710	3410	o.r.	
1SB7 508-2KA60-0CA2	7700	950	1005	1705	1500	250	110	165	500	2710	3130	o.r.	
1SB7 508-2KA60-0CC2	7650	950	1005	1705	1500	530	120	165	500	2710	3410	o.r.	
1SB7 562-2KA60-0CC2	8200	1060	1290	2060	1400	600	150	200	560	2830	3440	o.r.	
1SB7 563-2KA60-0CC2	8500	1060	1290	2060	1400	600	150	200	560	2830	3440	o.r.	
1SB7 564-2KA60-0CC2	8750	1060	1290	2060	1400	600	150	200	560	2830	3440	o.r.	
1SB7 567-2KA60-0CC2	9600	1060	1290	2060	1600	600	150	200	560	2830	3670	o.r.	

Motor type	Weight		Dimensions									
	kg	A mm	AD mm	AE mm	B mm	C mm	D mm	E mm	H mm	HD mm	L mm	ML mm
Innomotics HV M - 1SB. IC616 6000 V / 50 Hz B3 (IM 1001) - Dimension drawings												
1SB7 568-2KA60-0CC2	10200	1060	1290	2060	1600	600	150	200	560	2830	3670	o.r.
1SB8 633-2KA60-0CJ0	11000	1320	1520	2520	1600	560	160	240	630	3800	4060	o.r.
1SB8 634-2KA60-0CJ0	11500	1320	1520	2520	1600	560	160	240	630	3800	4060	o.r.
1SB8 637-2KA60-0CJ0	12450	1320	1520	2520	1800	560	160	240	630	3800	4260	o.r.
1SB8 638-2KA60-0CJ0	13000	1320	1520	2520	1800	560	160	240	630	3800	4260	o.r.
1SB8 712-2KA60-0CJ0	14500	1500	1620	2720	2000	560	180	240	710	3090	4070	o.r.
1SB8 713-2KA60-0CJ0	15150	1500	1620	2720	2000	560	180	240	710	3090	4070	o.r.
1SB8 714-2KA60-0CJ0	15700	1500	1620	2720	2000	560	180	240	710	3090	4070	o.r.
1SB8 716-2KA60-0CJ0	16850	1500	1620	2720	2240	560	180	240	710	3090	4310	o.r.
1SB8 717-2KA60-0CJ0	17750	1500	1620	2720	2240	560	180	240	710	3090	4310	o.r.
1SB8 718-2KA60-0CJ0	18750	1500	1620	2720	2240	560	180	240	710	3090	4310	o.r.
4-pole												
1SB7 453-4KA60-0AA2	4600	850	925	1545	1180	250	130	200	450	2350	2710	o.r.
1SB7 453-4KA60-0AC2	4650	850	925	1545	1180	500	130	200	450	2350	2960	o.r.
1SB7 453-4KA60-0CA2	4750	850	925	1545	1180	250	130	200	450	2350	2710	o.r.
1SB7 453-4KA60-0CC2	4800	850	925	1545	1180	500	130	200	450	2350	2960	o.r.
1SB7 454-4KA60-0AA0	4750	850	925	1545	1180	250	130	200	450	2350	2710	o.r.
1SB7 454-4KA60-0AC0	4800	850	925	1545	1180	500	130	200	450	2350	2960	o.r.
1SB7 454-4KA60-0CA2	4950	850	925	1545	1180	250	130	200	450	2350	2710	o.r.
1SB7 454-4KA60-0CC2	5000	850	925	1545	1180	500	130	200	450	2350	2960	o.r.
1SB7 457-4KA60-0CA2	5600	850	925	1545	1400	250	130	200	450	2350	2920	o.r.
1SB7 457-4KA60-0CC2	5650	850	925	1545	1400	500	130	200	450	2350	3170	o.r.
1SB7 457-4KA60-0AA2	5400	850	925	1545	1400	250	130	200	450	2350	2920	o.r.
1SB7 457-4KA60-0AC2	5400	850	925	1545	1400	500	130	200	450	2350	3170	o.r.
1SB7 458-4KA60-0CA2	5850	850	925	1545	1400	250	130	200	450	2350	2920	o.r.
1SB7 458-4KA60-0CC2	5850	850	925	1545	1400	500	130	200	450	2350	3170	o.r.
1SB7 458-4KA60-0AA2	5600	850	925	1545	1400	250	130	200	450	2350	2920	o.r.
1SB7 458-4KA60-0AC2	5650	850	925	1545	1400	500	130	200	450	2350	3170	o.r.
1SB7 503-4KA60-0CA2	6800	950	1005	1705	1320	315	160	240	500	2710	3060	o.r.
1SB7 503-4KA60-0CC2	6850	950	1005	1705	1320	560	170	240	500	2710	3300	o.r.
1SB7 503-4KA60-0AA2	6650	950	1005	1705	1320	315	160	240	500	2710	3060	o.r.
1SB7 503-4KA60-0AC2	6700	950	1005	1705	1320	560	170	240	500	2710	3300	o.r.
1SB7 504-4KA60-0CA2	7050	950	1005	1705	1320	315	160	240	500	2710	3060	o.r.
1SB7 504-4KA60-0CC2	7150	950	1005	1705	1320	560	170	240	500	2710	3300	o.r.
1SB7 504-4KA60-0AA2	6900	950	1005	1705	1320	315	160	240	500	2710	3060	o.r.
1SB7 504-4KA60-0AC2	6950	950	1005	1705	1320	560	170	240	500	2710	3300	o.r.
1SB7 507-4KA60-0CA2	7800	950	1005	1705	1500	315	160	240	500	2710	3270	o.r.

Motor type	Weight				Dimensions								
	kg	A mm	AD mm	AE mm	B mm	C mm	D mm	E mm	H mm	HD mm	L mm	ML mm	
Innomotics HV M - 1SB. IC616 6000 V / 50 Hz B3 (IM 1001) - Dimension drawings													
1SB7 507-4KA60-0CC2	7850	950	1005	1705	1500	560	170	240	500	2710	3510	o.r.	
1SB7 507-4KA60-0AA2	7600	950	1005	1705	1500	315	160	240	500	2710	3270	o.r.	
1SB7 507-4KA60-0AC2	7650	950	1005	1705	1500	560	170	240	500	2710	3510	o.r.	
1SB7 508-4KA60-0CA2	8150	950	1005	1705	1500	315	160	240	500	2710	3270	o.r.	
1SB7 508-4KA60-0CC2	8250	950	1005	1705	1500	560	170	240	500	2710	3510	o.r.	
1SB7 508-4KA60-0AA2	7950	950	1005	1705	1500	315	160	240	500	2710	3270	o.r.	
1SB7 508-4KA60-0AC2	8050	950	1005	1705	1500	560	170	240	500	2710	3510	o.r.	
1SB7 563-4KA60-0CA2	8550	1060	1290	2060	1400	335	190	280	560	2830	3250	o.r.	
1SB7 563-4KA60-0CC2	8600	1060	1290	2060	1400	600	190	280	560	2830	3520	o.r.	
1SB7 564-4KA60-0CA2	9000	1060	1290	2060	1400	335	190	280	560	2830	3250	o.r.	
1SB7 564-4KA60-0CC2	9100	1060	1290	2060	1400	600	190	280	560	2830	3520	o.r.	
1SB7 566-4KA60-0CA2	9850	1060	1290	2060	1600	335	190	280	560	2830	3480	o.r.	
1SB7 566-4KA60-0CC2	9900	1060	1290	2060	1600	600	190	280	560	2830	3750	o.r.	
1SB7 567-4KA60-0CA2	10350	1060	1290	2060	1600	335	190	280	560	2830	3480	o.r.	
1SB7 567-4KA60-0CC2	10400	1060	1290	2060	1600	600	190	280	560	2830	3750	o.r.	
1SB7 568-4KA60-0CA2	10750	1060	1290	2060	1600	335	190	280	560	2830	3480	o.r.	
1SB7 568-4KA60-0CC2	10850	1060	1290	2060	1600	600	190	280	560	2830	3750	o.r.	
1SB8 633-4KA60-0CG0	11700	1320	1520	2520	1600	375	200	280	630	3800	3920	o.r.	
1SB8 633-4KA60-0CJ0	11800	1320	1520	2520	1600	630	200	280	630	3800	4170	o.r.	
1SB8 634-4KA60-0CG0	12150	1320	1520	2520	1600	375	200	280	630	3800	3920	o.r.	
1SB8 634-4KA60-0CJ0	12250	1320	1520	2520	1600	630	200	280	630	3800	4170	o.r.	
1SB8 637-4KA60-0CG0	13050	1320	1520	2520	1800	375	200	280	630	3800	4120	o.r.	
1SB8 637-4KA60-0CJ0	13150	1320	1520	2520	1800	630	200	280	630	3800	4370	o.r.	
1SB8 638-4KA60-0CG0	13750	1320	1520	2520	1800	375	200	280	630	3800	4120	o.r.	
1SB8 638-4KA60-0CJ0	13850	1320	1520	2520	1800	630	200	280	630	3800	4370	o.r.	
1SB8 712-4KA60-0CG0	15650	1500	1620	2720	2000	375	220	280	710	3090	3920	o.r.	
1SB8 712-4KA60-0CJ0	15800	1500	1620	2720	2000	630	220	280	710	3090	4180	o.r.	
1SB8 713-4KA60-0CG0	16350	1500	1620	2720	2000	375	220	280	710	3090	3920	o.r.	
1SB8 713-4KA60-0CJ0	16500	1500	1620	2720	2000	630	220	280	710	3090	4180	o.r.	
1SB8 714-4KA60-0CG0	17150	1500	1620	2720	2000	375	220	280	710	3090	3920	o.r.	
1SB8 714-4KA60-0CJ0	17300	1500	1620	2720	2000	630	220	280	710	3090	4180	o.r.	
1SB8 717-4KA60-0CG0	18450	1500	1620	2720	2240	375	220	280	710	3090	4160	o.r.	
1SB8 717-4KA60-0CJ0	18600	1500	1620	2720	2240	630	220	280	710	3090	4420	o.r.	
1SB8 718-4KA60-0CG0	19050	1500	1620	2720	2240	375	220	280	710	3090	4160	o.r.	
1SB8 718-4KA60-0CJ0	19150	1500	1620	2720	2240	630	220	280	710	3090	4420	o.r.	
6-pole													
1SB7 453-6KA60-0AA2	4600	850	925	1545	1180	250	130	200	450	2350	2710	o.r.	

Motor type	Weight	Dimensions										
	kg	A mm	AD mm	AE mm	B mm	C mm	D mm	E mm	H mm	HD mm	L mm	ML mm
Innomotics HV M - 1SB. IC616 6000 V / 50 Hz B3 (IM 1001) - Dimension drawings												
1SB7 453-6KA60-0AC2	4650	850	925	1545	1180	500	130	200	450	2350	2960	o.r.
1SB7 453-6KA60-0CA0	4800	850	925	1545	1180	250	130	200	450	2350	2710	o.r.
1SB7 453-6KA60-0CC0	4800	850	925	1545	1180	500	130	200	450	2350	2960	o.r.
1SB7 454-6KA60-0CA2	5000	850	925	1545	1180	250	130	200	450	2350	2710	o.r.
1SB7 454-6KA60-0CC2	5000	850	925	1545	1180	500	130	200	450	2350	2960	o.r.
1SB7 454-6KA60-0AA2	4750	850	925	1545	1180	250	130	200	450	2350	2710	o.r.
1SB7 454-6KA60-0AC2	4800	850	925	1545	1180	500	130	200	450	2350	2960	o.r.
1SB7 457-6KA60-0AA0	5300	850	925	1545	1400	250	130	200	450	2350	2920	o.r.
1SB7 457-6KA60-0AC0	5300	850	925	1545	1400	500	130	200	450	2350	3170	o.r.
1SB7 457-6KA60-0CA0	5450	850	925	1545	1400	250	130	200	450	2350	2920	o.r.
1SB7 457-6KA60-0CC0	5500	850	925	1545	1400	500	130	200	450	2350	3170	o.r.
1SB7 458-6KA60-0AA2	5550	850	925	1545	1400	250	130	200	450	2350	2920	o.r.
1SB7 458-6KA60-0AC2	5600	850	925	1545	1400	500	130	200	450	2350	3170	o.r.
1SB7 458-6KA60-0CA2	5750	850	925	1545	1400	250	130	200	450	2350	2920	o.r.
1SB7 458-6KA60-0CC2	5800	850	925	1545	1400	500	130	200	450	2350	3170	o.r.
1SB7 503-6KA60-0CA2	6950	950	1005	1705	1320	315	160	240	500	2620	3060	o.r.
1SB7 503-6KA60-0CC2	7000	950	1005	1705	1320	560	170	240	500	2620	3300	o.r.
1SB7 503-6KA60-0AA2	6750	950	1005	1705	1320	315	160	240	500	2620	3060	o.r.
1SB7 503-6KA60-0AC2	6800	950	1005	1705	1320	560	170	240	500	2620	3300	o.r.
1SB7 504-6KA60-0AA2	7000	950	1005	1705	1320	315	160	240	500	2620	3060	o.r.
1SB7 504-6KA60-0AC2	7050	950	1005	1705	1320	560	170	240	500	2620	3300	o.r.
1SB7 504-6KA60-0CA2	7200	950	1005	1705	1320	315	160	240	500	2620	3060	o.r.
1SB7 504-6KA60-0CC2	7250	950	1005	1705	1320	560	170	240	500	2620	3300	o.r.
1SB7 507-6KA60-0CA2	7950	950	1005	1705	1500	315	160	240	500	2620	3270	o.r.
1SB7 507-6KA60-0CC2	8000	950	1005	1705	1500	560	170	240	500	2620	3510	o.r.
1SB7 507-6KA60-0AA2	7650	950	1005	1705	1500	315	160	240	500	2620	3270	o.r.
1SB7 507-6KA60-0AC2	7750	950	1005	1705	1500	560	170	240	500	2620	3510	o.r.
1SB7 508-6KA60-0CA2	8300	950	1005	1705	1500	315	160	240	500	2620	3270	o.r.
1SB7 508-6KA60-0CC2	8350	950	1005	1705	1500	560	170	240	500	2620	3510	o.r.
1SB7 508-6KA60-0AA2	8000	950	1005	1705	1500	315	160	240	500	2620	3270	o.r.
1SB7 508-6KA60-0AC2	8100	950	1005	1705	1500	560	170	240	500	2620	3510	o.r.
1SB7 561-6KA60-0CA2	8550	1060	1290	2060	1400	335	190	280	560	2830	3250	o.r.
1SB7 561-6KA60-0CC2	8600	1060	1290	2060	1400	600	190	280	560	2830	3520	o.r.
1SB7 562-6KA60-0CA2	8850	1060	1290	2060	1400	335	190	280	560	2830	3250	o.r.
1SB7 562-6KA60-0CC2	8950	1060	1290	2060	1400	600	190	280	560	2830	3520	o.r.
1SB7 563-6KA60-0CA2	9200	1060	1290	2060	1400	335	190	280	560	2830	3250	o.r.
1SB7 563-6KA60-0CC2	9250	1060	1290	2060	1400	600	190	280	560	2830	3520	o.r.

Motor type	Weight				Dimensions								
	kg	A mm	AD mm	AE mm	B mm	C mm	D mm	E mm	H mm	HD mm	L mm	ML mm	
Innomotics HV M - 1SB. IC616 6000 V / 50 Hz B3 (IM 1001) - Dimension drawings													
1SB7 564-6KA60-0CA2	9550	1060	1290	2060	1400	335	190	280	560	2830	3250	o.r.	
1SB7 564-6KA60-0CC2	9600	1060	1290	2060	1400	600	190	280	560	2830	3520	o.r.	
1SB7 567-6KA60-0CA2	10450	1060	1290	2060	1600	335	190	280	560	2830	3480	o.r.	
1SB7 567-6KA60-0CC2	10500	1060	1290	2060	1600	600	190	280	560	2830	3750	o.r.	
1SB7 568-6KA60-0CA2	11050	1060	1290	2060	1600	335	190	280	560	2830	3480	o.r.	
1SB7 568-6KA60-0CC2	11150	1060	1290	2060	1600	600	190	280	560	2830	3750	o.r.	
1SB8 632-6KA60-0CG0	11600	1320	1520	2520	1600	375	200	280	630	3700	3920	o.r.	
1SB8 632-6KA60-0CJ0	11700	1320	1520	2520	1600	630	200	280	630	3700	4170	o.r.	
1SB8 633-6KA60-0CG0	12000	1320	1520	2520	1600	375	200	280	630	3700	3920	o.r.	
1SB8 633-6KA60-0CJ0	12150	1320	1520	2520	1600	630	200	280	630	3700	4170	o.r.	
1SB8 634-6KA60-0CG0	12550	1320	1520	2520	1600	375	200	280	630	3700	3920	o.r.	
1SB8 634-6KA60-0CJ0	12650	1320	1520	2520	1600	630	200	280	630	3700	4170	o.r.	
1SB8 637-6KA60-0CG0	13350	1320	1520	2520	1800	375	200	280	630	3700	4120	o.r.	
1SB8 637-6KA60-0CJ0	13500	1320	1520	2520	1800	630	200	280	630	3700	4370	o.r.	
1SB8 638-6KA60-0CG0	13900	1320	1520	2520	1800	375	200	280	630	3700	4120	o.r.	
1SB8 638-6KA60-0CJ0	14050	1320	1520	2520	1800	630	200	280	630	3700	4370	o.r.	
1SB8 712-6KA60-0CG0	15550	1500	1620	2720	2000	375	220	280	710	3090	3920	o.r.	
1SB8 712-6KA60-0CJ0	15650	1500	1620	2720	2000	630	220	280	710	3090	4180	o.r.	
1SB8 713-6KA60-0CG0	16500	1500	1620	2720	2000	375	220	280	710	3090	3920	o.r.	
1SB8 713-6KA60-0CJ0	16600	1500	1620	2720	2000	630	220	280	710	3090	4180	o.r.	
1SB8 714-6KA60-0CG0	17500	1500	1620	2720	2000	375	220	280	710	3090	3920	o.r.	
1SB8 714-6KA60-0CJ0	17650	1500	1620	2720	2000	630	220	280	710	3090	4180	o.r.	
1SB8 717-6KA60-0CG0	19100	1500	1620	2720	2240	375	220	280	710	3090	4160	o.r.	
1SB8 717-6KA60-0CJ0	19250	1500	1620	2720	2240	630	220	280	710	3090	4420	o.r.	
1SB8 718-6KA60-0CG0	20150	1500	1620	2720	2240	375	220	280	710	3090	4160	o.r.	
1SB8 718-6KA60-0CJ0	20300	1500	1620	2720	2240	630	220	280	710	3090	4420	o.r.	
8-pole													
1SB7 452-8KA60-0AA0	4600	850	925	1545	1180	250	130	200	450	2350	2710	o.r.	
1SB7 452-8KA60-0AC0	4650	850	925	1545	1180	500	130	200	450	2350	2960	o.r.	
1SB7 453-8KA60-0AA0	4850	850	925	1545	1180	250	130	200	450	2350	2710	o.r.	
1SB7 453-8KA60-0AC0	4850	850	925	1545	1180	500	130	200	450	2350	2960	o.r.	
1SB7 454-8KA60-0AA2	5050	850	925	1545	1180	250	130	200	450	2350	2710	o.r.	
1SB7 454-8KA60-0AC2	5100	850	925	1545	1180	500	130	200	450	2350	2960	o.r.	
1SB7 457-8KA60-0AA2	5600	850	925	1545	1400	250	130	200	450	2350	2920	o.r.	
1SB7 457-8KA60-0AC2	5600	850	925	1545	1400	500	130	200	450	2350	3170	o.r.	
1SB7 458-8KA60-0AA2	5800	850	925	1545	1400	250	130	200	450	2350	2920	o.r.	
1SB7 458-8KA60-0AC2	5850	850	925	1545	1400	500	130	200	450	2350	3170	o.r.	

Motor type	Weight	Dimensions										
	kg	A mm	AD mm	AE mm	B mm	C mm	D mm	E mm	H mm	HD mm	L mm	ML mm
Innomotics HV M - 1SB. IC616 6000 V / 50 Hz B3 (IM 1001) - Dimension drawings												
1SB7 502-8KA60-0AA2	6450	950	1005	1705	1320	315	160	240	500	2620	3060	o.r.
1SB7 502-8KA60-0AC2	6500	950	1005	1705	1320	560	170	240	500	2620	3300	o.r.
1SB7 503-8KA60-0AA2	6700	950	1005	1705	1320	315	160	240	500	2620	3060	o.r.
1SB7 503-8KA60-0AC2	6750	950	1005	1705	1320	560	170	240	500	2620	3300	o.r.
1SB7 503-8KA60-0CA2	6950	950	1005	1705	1320	315	160	240	500	2620	3060	o.r.
1SB7 503-8KA60-0CC2	7000	950	1005	1705	1320	560	170	240	500	2620	3300	o.r.
1SB7 504-8KA60-0AA2	7000	950	1005	1705	1320	315	160	240	500	2620	3060	o.r.
1SB7 504-8KA60-0AC2	7050	950	1005	1705	1320	560	170	240	500	2620	3300	o.r.
1SB7 504-8KA60-0CA2	7250	950	1005	1705	1320	315	160	240	500	2620	3060	o.r.
1SB7 504-8KA60-0CC2	7300	950	1005	1705	1320	560	170	240	500	2620	3300	o.r.
1SB7 507-8KA60-0AA2	7700	950	1005	1705	1500	315	160	240	500	2620	3270	o.r.
1SB7 507-8KA60-0AC2	7750	950	1005	1705	1500	560	170	240	500	2620	3510	o.r.
1SB7 507-8KA60-0CA2	7950	950	1005	1705	1500	315	160	240	500	2620	3270	o.r.
1SB7 507-8KA60-0CC2	8000	950	1005	1705	1500	560	170	240	500	2620	3510	o.r.
1SB7 508-8KA60-0AA2	8050	950	1005	1705	1500	315	160	240	500	2620	3270	o.r.
1SB7 508-8KA60-0AC2	8100	950	1005	1705	1500	560	170	240	500	2620	3510	o.r.
1SB7 508-8KA60-0CA2	8300	950	1005	1705	1500	315	160	240	500	2620	3270	o.r.
1SB7 508-8KA60-0CC2	8400	950	1005	1705	1500	560	170	240	500	2620	3510	o.r.
1SB7 563-8KA60-0CA2	8850	1060	1075	1845	1400	335	190	280	560	2830	3250	o.r.
1SB7 563-8KA60-0CC2	8950	1060	1075	1845	1400	600	190	280	560	2830	3520	o.r.
1SB7 564-8KA60-0CA2	9300	1060	1075	1845	1400	335	190	280	560	2830	3250	o.r.
1SB7 564-8KA60-0CC2	9400	1060	1075	1845	1400	600	190	280	560	2830	3520	o.r.
1SB7 567-8KA60-0CA2	10250	1060	1075	1845	1600	335	190	280	560	2830	3480	o.r.
1SB7 567-8KA60-0CC2	10350	1060	1075	1845	1600	600	190	280	560	2830	3750	o.r.
1SB7 568-8KA60-0CA2	10800	1060	1075	1845	1600	335	190	280	560	2830	3480	o.r.
1SB7 568-8KA60-0CC2	10850	1060	1075	1845	1600	600	190	280	560	2830	3750	o.r.
1SB8 633-8KA60-0CG0	10850	1320	1520	2520	1600	375	200	280	630	3700	3920	o.r.
1SB8 633-8KA60-0CJ0	10950	1320	1520	2520	1600	630	200	280	630	3700	4170	o.r.
1SB8 634-8KA60-0CG0	11600	1320	1520	2520	1600	375	200	280	630	3700	3920	o.r.
1SB8 634-8KA60-0CJ0	11700	1320	1520	2520	1600	630	200	280	630	3700	4170	o.r.
1SB8 637-8KA60-0CG0	12850	1320	1520	2520	1800	375	200	280	630	3700	4120	o.r.
1SB8 637-8KA60-0CJ0	12950	1320	1520	2520	1800	630	200	280	630	3700	4370	o.r.
1SB8 638-8KA60-0CG0	13600	1320	1520	2520	1800	375	200	280	630	3700	4120	o.r.
1SB8 638-8KA60-0CJ0	13700	1320	1520	2520	1800	630	200	280	630	3700	4370	o.r.
1SB8 712-8KA60-0CG0	14950	1500	1620	2720	2000	375	220	280	710	3090	3920	o.r.
1SB8 712-8KA60-0CJ0	15150	1500	1620	2720	2000	630	220	280	710	3090	4180	o.r.
1SB8 713-8KA60-0CG0	15700	1500	1620	2720	2000	375	220	280	710	3090	3920	o.r.

Motor type	Weight	Dimensions										
	kg	A mm	AD mm	AE mm	B mm	C mm	D mm	E mm	H mm	HD mm	L mm	ML mm
Innomotics HV M - 1SB. IC616 6000 V / 50 Hz B3 (IM 1001) - Dimension drawings												
1SB8 713-8KA60-0CJ0	15900	1500	1620	2720	2000	630	220	280	710	3090	4180	o.r.
1SB8 714-8KA60-0CG0	16850	1500	1620	2720	2000	375	220	280	710	3090	3920	o.r.
1SB8 714-8KA60-0CJ0	17000	1500	1620	2720	2000	630	220	280	710	3090	4180	o.r.
1SB8 717-8KA60-0CG0	18550	1500	1620	2720	2240	375	220	280	710	3090	4160	o.r.
1SB8 717-8KA60-0CJ0	18750	1500	1620	2720	2240	630	220	280	710	3090	4420	o.r.
1SB8 718-8KA60-0CG0	19600	1500	1620	2720	2240	375	220	280	710	3090	4160	o.r.
1SB8 718-8KA60-0CJ0	19800	1500	1620	2720	2240	630	220	280	710	3090	4420	o.r.

Innomotics HV M - 1SB. IC616 6600 V / 60 Hz B3 (IM 1001)																			
Rated power IEC	Article No.	Speed	Rated current I_R	Efficiency				Power factor				Torque T_R	Breakdown torque T_B/ T_R	Locked rotor torque T_{LR}/ T_R	Locked rotor current I_{LR}/ I_R	Inertia			
				5/4 load	4/4 load	3/4 load	2/4 load	5/4 load	4/4 load	3/4 load	2/4 load					motor	external	Startup max T/TR	
kW		rpm	A	%	%	%	%	cos φ	cos φ	cos φ	cos φ	Nm	[-]	[-]	[-]	kgm ²	kgm ²	[-]	
2-pole: $n_{sync} = 3600$ rpm at 60 Hz																			
1600	1SB7 453-2KA10-0A.0	3578	168	95.5	95.8	95.5	94.3	0.86	0.87	0.84	0.78	4270	2.45	0.50	5.9	10	20	o.r.	
1600	1SB7 453-2KA10-0C.0	3579	164	95.5	95.8	95.4	94.3	0.88	0.89	0.88	0.84	4269	2.50	0.60	5.8	14	95	o.r.	
1750	1SB7 454-2KA10-0A.0	3578	182	95.6	96.0	95.8	94.9	0.87	0.88	0.87	0.83	4671	2.45	0.55	5.9	11	20	o.r.	
1740	1SB7 454-2KA10-0C.0	3579	176	95.6	95.9	95.6	94.5	0.89	0.90	0.89	0.86	4643	2.65	0.65	6.0	15	95	o.r.	
1950	1SB7 457-2KA10-0A.0	3580	200	95.8	96.1	95.8	94.8	0.87	0.88	0.85	0.79	5201	2.65	0.55	6.0	12	25	o.r.	
1950	1SB7 457-2KA10-0C.0	3580	198	95.8	96.1	95.8	94.7	0.89	0.90	0.89	0.86	5201	2.65	0.65	6.0	16	100	o.r.	
2100	1SB7 458-2KA10-0A.0	3580	210	96.0	96.3	96.1	95.2	0.89	0.90	0.88	0.84	5602	2.80	0.65	6.2	13	25	o.r.	
2100	1SB7 458-2KA10-0C.0	3580	210	95.9	96.3	96.1	95.2	0.90	0.91	0.91	0.88	5602	2.80	0.70	6.0	17	105	o.r.	
2300	1SB7 502-2KA10-0C.0	3576	240	95.8	96.0	95.9	95.2	0.87	0.88	0.87	0.82	6142	2.35	0.65	4.6	18	70	o.r.	
2500	1SB7 503-2KA10-0C.0	3579	255	96.1	96.3	96.2	95.4	0.88	0.89	0.88	0.83	6670	2.70	0.70	5.3	20	74	o.r.	
2600	1SB7 504-2KA10-0C.0	3580	265	96.2	96.3	96.2	95.4	0.88	0.89	0.88	0.81	6935	2.80	0.80	5.5	21	76	o.r.	
2900	1SB7 507-2KA10-0C.0	3581	290	96.4	96.6	96.5	95.8	0.90	0.90	0.89	0.85	7733	2.85	0.80	5.8	24	82	o.r.	
3100	1SB7 508-2KA10-0C.0	3582	310	96.6	96.8	96.7	96.1	0.91	0.91	0.91	0.87	8264	2.85	0.65	5.8	27	92	o.r.	
3670	1SB7 562-2KA10-0CC0	3584	375	96.0	96.1	95.7	94.7	0.87	0.89	0.88	0.84	9778	2.45	0.60	5.7	41	175	o.r.	
3810	1SB7 563-2KA10-0CC0	3585	385	96.1	96.2	95.9	94.9	0.89	0.90	0.89	0.86	10149	2.70	0.70	6.1	44	185	o.r.	
4580	1SB7 564-2KA10-0CC0	3584	470	95.9	96.0	95.6	94.5	0.88	0.89	0.88	0.85	12203	2.50	0.60	5.7	47	175	o.r.	
4840	1SB7 567-2KA10-0CC0	3585	490	96.1	96.2	95.8	94.7	0.90	0.90	0.90	0.86	12892	2.80	0.65	6.0	52	185	o.r.	
5080	1SB7 568-2KA10-0CC0	3588	510	96.3	96.3	95.8	94.6	0.90	0.90	0.88	0.84	13520	3.20	0.75	6.8	58	210	o.r.	
5650	1SB8 632-2KA10-0CJ0	3581	580	95.9	96.1	95.5	94.0	0.86	0.89	0.89	0.88	15067	2.00	0.50	4.9	75	150	o.r.	
6150	1SB8 633-2KA10-0CJ0	3581	630	96.1	96.3	95.8	94.4	0.87	0.89	0.90	0.89	16400	2.00	0.50	4.9	82	150	o.r.	
6650	1SB8 634-2KA10-0CJ0	3583	670	96.4	96.5	96.0	94.7	0.88	0.90	0.91	0.90	17723	2.15	0.55	5.2	90	150	o.r.	
7400	1SB8 637-2KA10-0CJ0	3583	740	96.6	96.7	96.2	95.0	0.89	0.91	0.92	0.90	19722	2.30	0.60	5.5	99	150	o.r.	
7900	1SB8 638-2KA10-0CJ0	3586	780	96.8	96.9	96.4	95.1	0.91	0.92	0.92	0.90	21037	2.55	0.65	6.0	107	160	o.r.	
8700	1SB8 712-2KA10-0CJ0	3588	880	96.4	96.3	95.6	94.1	0.88	0.90	0.89	0.87	23155	2.15	0.55	5.2	149	90	o.r.	
9150	1SB8 713-2KA10-0CJ0	3586	920	96.5	96.4	95.9	94.5	0.87	0.90	0.90	0.90	24366	2.00	0.50	4.8	160	80	o.r.	
9900	1SB8 714-2KA10-0CJ0	3588	990	96.7	96.6	96.0	94.7	0.90	0.91	0.91	0.89	26348	2.35	0.60	5.6	173	70	o.r.	
10500	1SB8 716-2KA10-0CJ0	3590	1040	96.8	96.6	95.9	94.4	0.90	0.91	0.89	0.85	27930	2.55	0.60	6.2	184	100	o.r.	
11250	1SB8 717-2KA10-0CJ0	3589	1120	97.0	96.8	96.3	95.0	0.90	0.91	0.91	0.89	29933	2.30	0.50	5.6	199	100	o.r.	
4-pole: $n_{sync} = 1800$ rpm at 60 Hz																			
1600	1SB7 453-4KA10-0A.0	1783	168	95.2	95.7	95.7	95.1	0.87	0.87	0.84	0.77	8569	2.40	0.65	5.5	17	175	o.r.	
1680	1SB7 453-4KA10-0C.0	1784	176	95.3	95.8	95.9	95.3	0.86	0.87	0.86	0.81	8993	2.20	0.45	5.0	23	285	o.r.	
1830	1SB7 454-4KA10-0C.0	1786	192	95.6	96.0	96.0	95.3	0.86	0.87	0.83	0.75	9785	2.45	0.50	5.3	25	340	o.r.	
1710	1SB7 454-4KA10-0A.0	1783	180	95.4	95.9	95.8	95.2	0.87	0.87	0.84	0.76	9158	2.55	0.70	6.0	19	215	o.r.	
2100	1SB7 457-4KA10-0C.0	1787	215	95.9	96.3	96.3	95.7	0.88	0.89	0.86	0.80	11222	2.60	0.60	5.8	30	425	o.r.	
2000	1SB7 457-4KA10-0A.0	1783	205	95.7	96.2	96.2	95.7	0.88	0.89	0.87	0.81	10711	2.55	0.70	6.0	22	240	o.r.	
2250	1SB7 458-4KA10-0C.0	1788	230	96.1	96.5	96.4	95.8	0.88	0.89	0.85	0.78	12017	2.80	0.65	6.0	32	475	o.r.	

Innomotics HV M - 1SB. IC616 6600 V / 60 Hz B3 (IM 1001)																		
Rated power IEC	Article No.	Speed	Rated current I_R	Efficiency				Power factor				Torque T_R	Breakdown torque T_B/ T_R	Locked rotor torque T_{LR}/ T_R	Locked rotor current I_{LR}/ I_R	Inertia		
				5/4 load	4/4 load	3/4 load	2/4 load	5/4 load	4/4 load	3/4 load	2/4 load					motor	external	Startup max T/TR
kW		rpm	A	%	%	%	%	cos φ	cos φ	cos φ	cos φ	Nm	[-]	[-]	[-]	kgm ²	kgm ²	[-]
2150	1SB7 458-4KA10-0A.0	1785	220	95.9	96.3	96.3	95.8	0.88	0.89	0.86	0.80	11502	2.70	0.75	6.0	24	270	o.r.
2600	1SB7 503-4KA10-0A.0	1786	270	96.1	96.4	96.5	95.8	0.87	0.88	0.86	0.80	13902	2.50	0.75	5.5	37	340	o.r.
2650	1SB7 503-4KA10-0C.0	1788	270	96.1	96.4	96.5	95.9	0.87	0.89	0.87	0.82	14153	2.45	0.55	5.0	45	355	o.r.
2850	1SB7 504-4KA10-0A.0	1787	295	96.3	96.5	96.6	95.9	0.88	0.88	0.85	0.79	15230	2.75	0.85	5.9	40	295	o.r.
2900	1SB7 504-4KA10-0C.0	1789	295	96.4	96.6	96.6	95.9	0.88	0.89	0.86	0.81	15480	2.50	0.55	5.2	50	485	o.r.
3150	1SB7 507-4KA10-0C.0	1788	315	96.5	96.8	96.8	96.3	0.90	0.90	0.89	0.86	16823	2.55	0.65	5.2	56	405	o.r.
3100	1SB7 507-4KA10-0A.0	1785	310	96.2	96.7	96.8	96.4	0.88	0.90	0.89	0.87	16584	2.45	0.80	5.3	46	255	o.r.
3350	1SB7 508-4KA10-0A.0	1786	335	96.4	96.8	96.9	96.5	0.89	0.90	0.89	0.86	17912	2.50	0.80	5.7	50	270	o.r.
3400	1SB7 508-4KA10-0C.0	1788	340	96.6	96.9	97.0	96.5	0.90	0.90	0.90	0.87	18159	2.45	0.60	5.2	62	545	o.r.
3800	1SB7 563-4KA10-0C.0	1790	385	96.6	96.9	97.0	96.6	0.88	0.89	0.88	0.85	20272	2.25	0.65	5.4	80	515	o.r.
4100	1SB7 564-4KA10-0C.0	1789	415	96.7	97.0	97.2	96.9	0.88	0.89	0.90	0.88	21885	2.05	0.55	4.9	90	595	o.r.
4750	1SB7 566-4KA10-0C.0	1791	475	97.0	97.2	97.3	97.0	0.89	0.90	0.89	0.87	25326	2.30	0.65	5.6	100	625	o.r.
5200	1SB7 567-4KA10-0C.0	1791	519	97.1	97.3	97.5	97.1	0.89	0.90	0.90	0.87	27725	2.30	0.60	5.5	109	695	o.r.
5700	1SB7 568-4KA10-0C.0	1791	569	97.2	97.4	97.5	97.2	0.89	0.90	0.89	0.86	30391	2.40	0.65	5.9	119	740	o.r.
6300	1SB8 633-4KA10-0C.0	1791	640	96.6	96.8	96.5	95.6	0.88	0.89	0.88	0.84	33590	2.45	0.55	5.8	151	380	o.r.
7100	1SB8 634-4KA10-0C.0	1791	720	96.8	96.9	96.7	95.9	0.88	0.89	0.88	0.84	37856	2.45	0.55	5.8	166	400	o.r.
7500	1SB8 637-4KA10-0C.0	1792	750	96.9	97.0	96.8	96.1	0.90	0.90	0.90	0.86	39966	2.55	0.65	6.0	182	450	o.r.
8350	1SB8 638-4KA10-0C.0	1792	830	97.0	97.2	97.0	96.3	0.89	0.90	0.89	0.85	44496	2.55	0.60	6.0	197	500	o.r.
9050	1SB8 712-4KA10-0C.0	1791	900	97.0	97.2	97.1	96.4	0.89	0.90	0.90	0.87	48253	2.35	0.50	5.7	259	440	o.r.
9600	1SB8 713-4KA10-0C.0	1792	950	97.1	97.3	97.2	96.5	0.89	0.91	0.90	0.88	51157	2.50	0.55	6.0	284	500	o.r.
10400	1SB8 714-4KA10-0C.0	1792	1020	97.3	97.4	97.3	96.6	0.90	0.91	0.91	0.88	55420	2.60	0.55	6.0	312	550	o.r.
11550	1SB8 717-4KA10-0C.0	1792	1140	97.3	97.5	97.4	96.8	0.90	0.91	0.91	0.89	61548	2.60	0.55	6.0	346	580	o.r.
11950	1SB8 718-4KA10-0C.0	1793	1200	97.4	97.5	97.4	96.7	0.89	0.90	0.89	0.86	63644	2.60	0.50	6.0	361	700	o.r.
6-pole: n_{sync} = 1200 rpm at 60 Hz																		
1220	1SB7 452-6KA10-0A.0	1189	136	94.9	95.5	95.5	95.0	0.82	0.82	0.75	0.63	9798	2.40	0.80	5.5	20	530	o.r.
1350	1SB7 453-6KA10-0A.0	1189	148	95.2	95.7	95.8	95.3	0.83	0.83	0.77	0.65	10842	2.40	0.80	5.5	22	610	o.r.
1370	1SB7 453-6KA10-0C.0	1189	148	95.2	95.7	95.9	95.5	0.84	0.85	0.82	0.74	11003	2.35	0.65	5.3	30	850	o.r.
1420	1SB7 454-6KA10-0A.0	1189	152	95.2	95.8	96.0	95.7	0.84	0.85	0.82	0.75	11405	2.25	0.80	5.5	24	620	o.r.
1500	1SB7 454-6KA10-0C.0	1189	162	95.2	95.8	96.0	95.6	0.85	0.85	0.82	0.75	12047	2.35	0.65	5.3	33	880	o.r.
1600	1SB7 457-6KA10-0A.0	1190	172	95.4	96.0	96.1	95.7	0.84	0.85	0.80	0.70	12839	2.45	0.80	5.5	28	815	o.r.
1620	1SB7 457-6KA10-0C.0	1190	172	95.4	96.0	96.1	95.8	0.85	0.86	0.83	0.76	13000	2.40	0.65	5.3	36	1030	o.r.
1750	1SB7 458-6KA10-0A.0	1190	188	95.7	96.2	96.3	96.0	0.85	0.85	0.81	0.73	14043	2.45	0.85	5.7	31	925	o.r.
1760	1SB7 458-6KA10-0C.0	1191	186	95.7	96.2	96.3	95.9	0.86	0.86	0.83	0.75	14111	2.60	0.75	5.5	41	1120	o.r.
1950	1SB7 502-6KA10-0A.0	1191	215	95.7	96.1	96.2	95.8	0.83	0.83	0.79	0.70	15635	2.45	0.90	5.1	42	1180	o.r.
2000	1SB7 502-6KA10-0C.0	1192	210	95.8	96.2	96.4	96.0	0.84	0.86	0.83	0.76	16022	2.30	0.70	4.7	54	1250	o.r.
2170	1SB7 503-6KA10-0A.0	1191	240	95.8	96.2	96.4	95.9	0.83	0.83	0.79	0.70	17399	2.50	0.95	5.2	46	1300	o.r.
2240	1SB7 503-6KA10-0C.0	1192	235	95.9	96.3	96.5	96.1	0.84	0.86	0.83	0.76	17945	2.35	0.70	4.7	60	1370	o.r.

Innomotics HV M - 1SB. IC616 6600 V / 60 Hz B3 (IM 1001)																		
Rated power IEC	Article No.	Speed	Rated current I_R	Efficiency				Power factor				Torque T_R	Breakdown torque T_B/ T_R	Locked rotor torque T_{LR}/ T_R	Locked rotor current I_{LR}/ I_R	Inertia		
				5/4 load	4/4 load	3/4 load	2/4 load	5/4 load	4/4 load	3/4 load	2/4 load					motor	external	Startup max T/TR
kW		rpm	A	%	%	%	%	cos φ	cos φ	cos φ	cos φ	Nm	[-]	[-]	[-]	kgm ²	kgm ²	[-]
2320	1SB7 504-6KA10-0A.0	1192	255	96.1	96.3	96.4	95.9	0.82	0.82	0.76	0.65	18586	2.75	1.05	5.6	51	1430	o.r.
2420	1SB7 504-6KA10-0C.0	1193	260	96.2	96.5	96.6	96.1	0.84	0.84	0.81	0.73	19371	2.55	0.80	5.1	66	1500	o.r.
2540	1SB7 507-6KA10-0A.0	1192	275	96.2	96.5	96.6	96.1	0.83	0.83	0.77	0.67	20348	2.75	1.00	5.8	58	1600	o.r.
2640	1SB7 507-6KA10-0C.0	1193	285	96.3	96.6	96.7	96.3	0.84	0.84	0.82	0.73	21132	2.50	0.75	5.1	74	1650	o.r.
2750	1SB7 508-6KA10-0A.0	1191	290	96.2	96.6	96.8	96.5	0.85	0.86	0.84	0.77	22049	2.45	0.95	5.4	63	1780	o.r.
3000	1SB7 561-6KA10-0C.0	1193	315	96.1	96.5	96.6	96.1	0.85	0.86	0.84	0.78	24013	2.40	0.65	5.4	96	990	o.r.
3550	1SB7 563-6KA10-0C.0	1193	375	96.4	96.8	96.8	96.4	0.85	0.86	0.84	0.78	28416	2.50	0.65	5.6	112	1230	o.r.
4000	1SB7 567-6KA10-0C.0	1193	415	96.6	97.0	97.0	96.6	0.86	0.87	0.85	0.81	32018	2.60	0.70	5.8	134	1650	o.r.
4500	1SB7 568-6KA10-0C.0	1194	465	96.8	97.1	97.2	96.8	0.87	0.87	0.85	0.80	35990	2.65	0.70	5.9	150	1880	o.r.
4900	1SB8 632-6KA10-0C.0	1193	520	96.4	96.6	96.4	95.5	0.85	0.86	0.81	0.73	39222	2.50	0.55	5.5	193	1280	o.r.
5300	1SB8 633-6KA10-0C.0	1193	560	96.5	96.7	96.6	95.8	0.85	0.86	0.82	0.74	42424	2.45	0.55	5.5	209	1360	o.r.
5700	1SB8 634-6KA10-0C.0	1193	590	96.6	96.8	96.7	95.9	0.86	0.87	0.83	0.76	45625	2.45	0.55	5.5	227	1850	o.r.
6200	1SB8 637-6KA10-0C.0	1193	640	96.7	96.9	96.8	96.1	0.86	0.87	0.84	0.77	49628	2.45	0.55	5.5	247	1650	o.r.
6450	1SB8 638-6KA10-0C.0	1193	670	96.8	97.0	96.8	96.1	0.86	0.87	0.83	0.76	51629	2.50	0.55	5.5	264	1880	o.r.
7350	1SB8 712-6KA10-0C.0	1194	760	97.0	97.2	97.1	96.5	0.86	0.87	0.84	0.78	58783	2.40	0.55	5.5	331	1470	o.r.
8100	1SB8 713-6KA10-0C.0	1194	840	97.1	97.3	97.3	96.8	0.86	0.87	0.86	0.81	64782	2.25	0.50	5.5	374	1670	o.r.
8700	1SB8 714-6KA10-0C.0	1194	890	97.1	97.4	97.4	96.9	0.87	0.88	0.87	0.82	69580	2.30	0.50	5.5	424	1980	o.r.
9650	1SB8 717-6KA10-0C.0	1194	980	97.3	97.5	97.5	97.0	0.87	0.88	0.87	0.82	77178	2.40	0.55	5.5	478	2300	o.r.
10000	1SB8 718-6KA10-0C.0	1195	1040	97.4	97.5	97.5	96.9	0.87	0.87	0.85	0.78	79910	2.50	0.50	5.5	520	2930	o.r.
8-pole: n_{sync} = 900 rpm at 60 Hz																		
960	1SB7 452-8KA10-0A.0	889	108	94.2	95.2	95.5	95.2	0.79	0.81	0.77	0.68	10312	1.80	0.55	4.5	25	1150	o.r.
990	1SB7 452-8KA10-0C.0	889	110	94.2	95.2	95.5	95.2	0.81	0.82	0.79	0.70	10634	1.95	0.45	4.5	32	1690	o.r.
1050	1SB7 453-8KA10-0A.0	890	118	94.5	95.4	95.5	95.1	0.80	0.81	0.76	0.65	11266	1.90	0.60	4.5	28	1310	o.r.
1060	1SB7 453-8KA10-0C.0	891	118	94.6	95.4	95.6	95.1	0.81	0.82	0.78	0.67	11361	2.10	0.50	5.0	36	1870	o.r.
1100	1SB7 454-8KA10-0A.0	890	124	94.5	95.4	95.7	95.3	0.80	0.81	0.78	0.68	11803	1.90	0.60	4.5	31	1350	o.r.
1120	1SB7 454-8KA10-0C.0	891	126	94.7	95.5	95.7	95.3	0.82	0.82	0.79	0.70	12004	2.10	0.50	5.0	40	1860	o.r.
1220	1SB7 457-8KA10-0A.0	891	140	95.0	95.6	95.6	95.1	0.81	0.80	0.74	0.62	13075	2.20	0.65	5.0	35	1930	o.r.
1240	1SB7 457-8KA10-0C.0	892	138	95.1	95.7	95.7	95.1	0.82	0.82	0.76	0.65	13275	2.45	0.60	5.5	45	2400	o.r.
1300	1SB7 458-8KA10-0A.0	892	148	95.1	95.7	95.7	95.2	0.81	0.80	0.75	0.62	13917	2.35	0.70	5.5	39	2200	o.r.
1330	1SB7 458-8KA10-0C.0	892	148	95.2	95.8	95.8	95.2	0.82	0.82	0.77	0.65	14238	2.54	0.60	5.5	50	2450	o.r.
1400	1SB7 502-8KA10-0A.0	894	164	95.7	96.0	96.2	95.8	0.80	0.78	0.76	0.65	14954	2.40	0.80	4.6	46	2160	o.r.
1600	1SB7 503-8KA10-0A.0	893	180	95.7	96.3	96.4	96.1	0.81	0.81	0.78	0.68	17110	2.20	0.75	4.4	51	2290	o.r.
1750	1SB7 503-8KA10-0C.0	893	194	95.7	96.2	96.4	96.1	0.81	0.82	0.78	0.69	18714	2.25	0.60	4.2	65	2340	o.r.
1900	1SB7 504-8KA10-0C.0	893	210	95.9	96.3	96.5	96.2	0.82	0.82	0.79	0.70	20318	2.30	0.60	4.3	72	2810	o.r.
1800	1SB7 504-8KA10-0A.0	893	200	95.9	96.4	96.6	96.3	0.81	0.82	0.79	0.70	19248	2.15	0.75	4.4	56	2420	o.r.
2000	1SB7 507-8KA10-0A.0	894	225	96.0	96.4	96.5	96.1	0.81	0.81	0.76	0.65	21363	2.40	0.85	4.7	63	2730	o.r.
2100	1SB7 507-8KA10-0C.0	893	230	96.0	96.4	96.6	96.3	0.82	0.83	0.79	0.70	22456	2.35	0.65	4.4	80	3120	o.r.

Innomotics HV M - 1SB. IC616 6600 V / 60 Hz B3 (IM 1001)																		
Rated power IEC	Article No.	Speed	Rated current I_R	Efficiency				Power factor				Torque T_R	Breakdown torque T_B/ T_R	Locked rotor torque T_{LR}/ T_R	Locked rotor current I_{LR}/ I_R	Inertia		
				5/4 load	4/4 load	3/4 load	2/4 load	5/4 load	4/4 load	3/4 load	2/4 load					motor	external	Startup max T/TR
kW		rpm	A	%	%	%	%	$\cos \varphi$	$\cos \varphi$	$\cos \varphi$	$\cos \varphi$	Nm	[-]	[-]	[-]	kgm ²	kgm ²	[-]
2200	1SB7 508-8KA10-0C.0	894	245	96.2	96.5	96.6	96.2	0.82	0.82	0.77	0.67	23499	2.60	0.70	4.8	88	3500	o.r.
2200	1SB7 508-8KA10-0A.0	893	245	96.1	96.5	96.7	96.4	0.81	0.82	0.78	0.68	23526	2.30	0.85	4.6	69	2940	o.r.
2500	1SB7 563-8KA10-0C.0	894	275	96.0	96.4	96.7	96.4	0.82	0.82	0.81	0.74	26704	2.05	0.55	4.6	124	2170	o.r.
2700	1SB7 564-8KA10-0C.0	894	300	96.2	96.5	96.8	96.4	0.83	0.82	0.80	0.73	28840	2.20	0.60	4.9	137	2485	o.r.
3050	1SB7 567-8KA10-0C.0	894	335	96.4	96.5	97.0	96.6	0.82	0.83	0.81	0.74	32579	2.15	0.55	4.8	150	3750	o.r.
3300	1SB7 568-8KA10-0C.0	895	365	96.7	96.6	97.0	96.5	0.83	0.82	0.78	0.70	35210	2.50	0.65	5.5	165	4470	o.r.
4100	1SB8 634-8KA10-0C.0	892	435	95.8	96.3	96.3	95.8	0.84	0.86	0.84	0.78	43893	1.90	0.40	4.2	251	3100	o.r.
4550	1SB8 637-8KA10-0C.0	893	480	96.1	96.5	96.5	96.0	0.85	0.86	0.84	0.78	48655	2.05	0.40	4.5	292	3820	o.r.
4800	1SB8 638-8KA10-0C.0	893	500	96.3	96.7	96.6	96.1	0.86	0.87	0.84	0.78	51329	2.10	0.45	4.7	326	4470	o.r.
5150	1SB8 712-8KA10-0C.0	895	530	96.6	96.9	96.7	96.1	0.87	0.87	0.83	0.75	54948	2.45	0.55	5.3	422	3770	o.r.
5500	1SB8 713-8KA10-0C.0	895	570	96.7	96.9	96.8	96.1	0.87	0.87	0.83	0.74	58683	2.55	0.60	5.5	472	4490	o.r.
6300	1SB8 714-8KA10-0C.0	895	650	96.8	97.1	97.0	96.4	0.87	0.87	0.84	0.77	67219	2.40	0.50	5.2	541	4910	o.r.
6900	1SB8 717-8KA10-0C.0	895	710	96.9	97.2	97.2	96.8	0.87	0.88	0.86	0.80	73620	2.35	0.50	5.2	620	5650	o.r.
7450	1SB8 718-8KA10-0C.0	895	750	97.0	97.3	97.3	96.9	0.88	0.89	0.86	0.81	79489	2.35	0.50	5.2	684	6240	o.r.

Motor type	Weight				Dimensions								
	kg	A mm	AD mm	AE mm	B mm	C mm	D mm	E mm	H mm	HD mm	L mm	ML mm	
Innomotics HV M - 1SB. IC616 6600 V / 60 Hz B3 (IM 1001) - Dimension drawings													
2-pole													
1SB7 453-2KA10-0AA0	4650	850	925	1545	1180	250	95	130	450	2350	2640	o.r.	
1SB7 453-2KA10-0AC0	4550	850	925	1545	1180	475	95	130	450	2350	2870	o.r.	
1SB7 453-2KA10-0CA0	4750	850	925	1545	1180	250	95	130	450	2350	2640	o.r.	
1SB7 453-2KA10-0CC0	4650	850	925	1545	1180	475	95	130	450	2350	2870	o.r.	
1SB7 454-2KA10-0AA0	4750	850	925	1545	1180	250	95	130	450	2350	2640	o.r.	
1SB7 454-2KA10-0AC0	4650	850	925	1545	1180	475	95	130	450	2350	2870	o.r.	
1SB7 454-2KA10-0CA0	4850	850	925	1545	1180	250	95	130	450	2350	2640	o.r.	
1SB7 454-2KA10-0CC0	4750	850	925	1545	1180	475	95	130	450	2350	2870	o.r.	
1SB7 457-2KA10-0AA0	5200	850	925	1545	1400	250	95	130	450	2350	2850	o.r.	
1SB7 457-2KA10-0AC0	5100	850	925	1545	1400	475	95	130	450	2350	3080	o.r.	
1SB7 457-2KA10-0CA0	5350	850	925	1545	1400	250	95	130	450	2350	2850	o.r.	
1SB7 457-2KA10-0CC0	5250	850	925	1545	1400	475	95	130	450	2350	3080	o.r.	
1SB7 458-2KA10-0AA0	5350	850	925	1545	1400	250	95	130	450	2350	2850	o.r.	
1SB7 458-2KA10-0AC0	5250	850	925	1545	1400	475	95	130	450	2350	3080	o.r.	
1SB7 458-2KA10-0CA0	5500	850	925	1545	1400	250	95	130	450	2350	2850	o.r.	
1SB7 458-2KA10-0CC0	5400	850	925	1545	1400	475	95	130	450	2350	3080	o.r.	
1SB7 502-2KA10-0CA0	5900	950	1005	1705	1320	250	110	165	500	2710	2920	o.r.	
1SB7 502-2KA10-0CC0	5850	950	1005	1705	1320	530	120	165	500	2710	3200	o.r.	
1SB7 503-2KA10-0CA0	6550	950	1005	1705	1320	250	110	165	500	2710	2920	o.r.	
1SB7 503-2KA10-0CC0	6500	950	1005	1705	1320	530	120	165	500	2710	3200	o.r.	
1SB7 504-2KA10-0CA0	6650	950	1005	1705	1320	250	110	165	500	2710	2920	o.r.	
1SB7 504-2KA10-0CC0	6600	950	1005	1705	1320	530	120	165	500	2710	3200	o.r.	
1SB7 507-2KA10-0CA0	7350	950	1005	1705	1500	250	110	165	500	2710	3130	o.r.	
1SB7 507-2KA10-0CC0	7250	950	1005	1705	1500	530	120	165	500	2710	3410	o.r.	
1SB7 508-2KA10-0CA0	7650	950	1005	1705	1500	250	110	165	500	2710	3130	o.r.	
1SB7 508-2KA10-0CC0	7600	950	1005	1705	1500	530	120	165	500	2710	3410	o.r.	
1SB7 562-2KA10-0CC0	8250	1060	1290	2060	1400	600	150	200	560	2830	3440	o.r.	
1SB7 563-2KA10-0CC0	8450	1060	1290	2060	1400	600	150	200	560	2830	3440	o.r.	
1SB7 564-2KA10-0CC0	8750	1060	1290	2060	1400	600	150	200	560	2830	3440	o.r.	
1SB7 567-2KA10-0CC0	9550	1060	1290	2060	1600	600	150	200	560	2830	3670	o.r.	
1SB7 568-2KA10-0CC0	10150	1060	1290	2060	1600	600	150	200	560	2830	3670	o.r.	
1SB8 632-2KA10-0CJ0	10600	1320	1520	2520	1600	560	160	240	630	3840	4060	o.r.	
1SB8 633-2KA10-0CJ0	11100	1320	1520	2520	1600	560	160	240	630	3840	4060	o.r.	
1SB8 634-2KA10-0CJ0	11600	1320	1520	2520	1600	560	160	240	630	3840	4060	o.r.	
1SB8 637-2KA10-0CJ0	12500	1320	1520	2520	1800	560	160	240	630	3840	4260	o.r.	
1SB8 638-2KA10-0CJ0	13150	1320	1520	2520	1800	560	160	240	630	3840	4260	o.r.	

Motor type	Weight	Dimensions										
	kg	A mm	AD mm	AE mm	B mm	C mm	D mm	E mm	H mm	HD mm	L mm	ML mm
Innomotics HV M - 1SB. IC616 6600 V / 60 Hz B3 (IM 1001) - Dimension drawings												
1SB8 712-2KA10-0CJ0	14500	1500	1620	2720	2000	560	180	240	710	3090	4070	o.r.
1SB8 713-2KA10-0CJ0	15150	1500	1620	2720	2000	560	180	240	710	3090	4070	o.r.
1SB8 714-2KA10-0CJ0	15900	1500	1620	2720	2000	560	180	240	710	3090	4070	o.r.
1SB8 716-2KA10-0CJ0	17000	1500	1620	2720	2240	560	180	240	710	3090	4310	o.r.
1SB8 717-2KA10-0CJ0	17800	1500	1620	2720	2240	560	180	240	710	3090	4310	o.r.
4-pole												
1SB7 453-4KA10-0AA0	4600	850	925	1545	1180	250	130	200	450	2350	2710	o.r.
1SB7 453-4KA10-0AC0	4600	850	925	1545	1180	500	130	200	450	2350	2960	o.r.
1SB7 453-4KA10-0CA0	4750	850	925	1545	1180	250	130	200	450	2350	2710	o.r.
1SB7 453-4KA10-0CC0	4750	850	925	1545	1180	500	130	200	450	2350	2960	o.r.
1SB7 454-4KA10-0CA0	4950	850	925	1545	1180	250	130	200	450	2350	2710	o.r.
1SB7 454-4KA10-0CC0	5000	850	925	1545	1180	500	130	200	450	2350	2960	o.r.
1SB7 454-4KA10-0AA0	4750	850	925	1545	1180	250	130	200	450	2350	2710	o.r.
1SB7 454-4KA10-0AC0	4800	850	925	1545	1180	500	130	200	450	2350	2960	o.r.
1SB7 457-4KA10-0CA0	5550	850	925	1545	1400	250	130	200	450	2350	2920	o.r.
1SB7 457-4KA10-0CC0	5600	850	925	1545	1400	500	130	200	450	2350	3170	o.r.
1SB7 457-4KA10-0AA0	5400	850	925	1545	1400	250	130	200	450	2350	2920	o.r.
1SB7 457-4KA10-0AC0	5450	850	925	1545	1400	500	130	200	450	2350	3170	o.r.
1SB7 458-4KA10-0CA0	5800	850	925	1545	1400	250	130	200	450	2350	2920	o.r.
1SB7 458-4KA10-0CC0	5800	850	925	1545	1400	500	130	200	450	2350	3170	o.r.
1SB7 458-4KA10-0AA0	5650	850	925	1545	1400	250	130	200	450	2350	2920	o.r.
1SB7 458-4KA10-0AC0	5650	850	925	1545	1400	500	130	200	450	2350	3170	o.r.
1SB7 503-4KA10-0AA0	6650	950	1005	1705	1320	315	160	240	500	2710	3060	o.r.
1SB7 503-4KA10-0AC0	6750	950	1005	1705	1320	560	170	240	500	2710	3300	o.r.
1SB7 503-4KA10-0CA0	6800	950	1005	1705	1320	315	160	240	500	2710	3060	o.r.
1SB7 503-4KA10-0CC0	6900	950	1005	1705	1320	560	170	240	500	2710	3300	o.r.
1SB7 504-4KA10-0AA0	6950	950	1005	1705	1320	315	160	240	500	2710	3060	o.r.
1SB7 504-4KA10-0AC0	7050	950	1005	1705	1320	560	170	240	500	2710	3300	o.r.
1SB7 504-4KA10-0CA0	7100	950	1005	1705	1320	315	160	240	500	2710	3060	o.r.
1SB7 504-4KA10-0CC0	7200	950	1005	1705	1320	560	170	240	500	2710	3300	o.r.
1SB7 507-4KA10-0CA0	7800	950	1005	1705	1500	315	160	240	500	2710	3270	o.r.
1SB7 507-4KA10-0CC0	7850	950	1005	1705	1500	560	170	240	500	2710	3510	o.r.
1SB7 507-4KA10-0AA0	7650	950	1005	1705	1500	315	160	240	500	2710	3270	o.r.
1SB7 507-4KA10-0AC0	7700	950	1005	1705	1500	560	170	240	500	2710	3510	o.r.
1SB7 508-4KA10-0AA0	8000	950	1005	1705	1500	315	160	240	500	2710	3270	o.r.
1SB7 508-4KA10-0AC0	8050	950	1005	1705	1500	560	170	240	500	2710	3510	o.r.
1SB7 508-4KA10-0CA0	8150	950	1005	1705	1500	315	160	240	500	2710	3270	o.r.

Motor type	Weight				Dimensions								
	kg	A mm	AD mm	AE mm	B mm	C mm	D mm	E mm	H mm	HD mm	L mm	ML mm	
Innomotics HV M - 1SB. IC616 6600 V / 60 Hz B3 (IM 1001) - Dimension drawings													
1SB7 508-4KA10-0CC0	8250	950	1005	1705	1500	560	170	240	500	2710	3510	o.r.	
1SB7 563-4KA10-0CA0	8500	1060	1290	2060	1400	335	190	280	560	2830	3250	o.r.	
1SB7 563-4KA10-0CC0	8600	1060	1290	2060	1400	600	190	280	560	2830	3520	o.r.	
1SB7 564-4KA10-0CA0	9000	1060	1290	2060	1400	335	190	280	560	2830	3250	o.r.	
1SB7 564-4KA10-0CC0	9050	1060	1290	2060	1400	600	190	280	560	2830	3520	o.r.	
1SB7 566-4KA10-0CA0	9850	1060	1290	2060	1600	335	190	280	560	2830	3480	o.r.	
1SB7 566-4KA10-0CC0	9900	1060	1290	2060	1600	600	190	280	560	2830	3750	o.r.	
1SB7 567-4KA10-0CA0	10300	1060	1290	2060	1600	335	190	280	560	2830	3480	o.r.	
1SB7 567-4KA10-0CC0	10400	1060	1290	2060	1600	600	190	280	560	2830	3750	o.r.	
1SB7 568-4KA10-0CA0	10750	1060	1290	2060	1600	335	190	280	560	2830	3480	o.r.	
1SB7 568-4KA10-0CC0	10850	1060	1290	2060	1600	600	190	280	560	2830	3750	o.r.	
1SB8 633-4KA10-0CG0	11700	1320	1520	2520	1600	375	200	280	630	3840	3920	o.r.	
1SB8 633-4KA10-0CJ0	11800	1320	1520	2520	1600	630	200	280	630	3840	4170	o.r.	
1SB8 634-4KA10-0CG0	12300	1320	1520	2520	1600	375	200	280	630	3840	3920	o.r.	
1SB8 634-4KA10-0CJ0	12400	1320	1520	2520	1600	630	200	280	630	3840	4170	o.r.	
1SB8 637-4KA10-0CG0	13100	1320	1520	2520	1800	375	200	280	630	3840	4120	o.r.	
1SB8 637-4KA10-0CJ0	13200	1320	1520	2520	1800	630	200	280	630	3840	4370	o.r.	
1SB8 638-4KA10-0CG0	13800	1320	1520	2520	1800	375	200	280	630	3840	4120	o.r.	
1SB8 638-4KA10-0CJ0	13900	1320	1520	2520	1800	630	200	280	630	3840	4370	o.r.	
1SB8 712-4KA10-0CG0	15650	1500	1620	2720	2000	375	220	280	710	3090	3920	o.r.	
1SB8 712-4KA10-0CJ0	15750	1500	1620	2720	2000	630	220	280	710	3090	4180	o.r.	
1SB8 713-4KA10-0CG0	16300	1500	1620	2720	2000	375	220	280	710	3090	3920	o.r.	
1SB8 713-4KA10-0CJ0	16450	1500	1620	2720	2000	630	220	280	710	3090	4180	o.r.	
1SB8 714-4KA10-0CG0	17150	1500	1620	2720	2000	375	220	280	710	3090	3920	o.r.	
1SB8 714-4KA10-0CJ0	17250	1500	1620	2720	2000	630	220	280	710	3090	4180	o.r.	
1SB8 717-4KA10-0CG0	18450	1500	1620	2720	2240	375	220	280	710	3090	4160	o.r.	
1SB8 717-4KA10-0CJ0	18600	1500	1620	2720	2240	630	220	280	710	3090	4420	o.r.	
1SB8 718-4KA10-0CG0	19000	1500	1620	2720	2240	375	220	280	710	3090	4160	o.r.	
1SB8 718-4KA10-0CJ0	19100	1500	1620	2720	2240	630	220	280	710	3090	4420	o.r.	
6-pole													
1SB7 452-6KA10-0AA0	4450	850	925	1545	1180	250	130	200	450	2350	2710	o.r.	
1SB7 452-6KA10-0AC0	4500	850	925	1545	1180	500	130	200	450	2350	2960	o.r.	
1SB7 453-6KA10-0AA0	4650	850	925	1545	1180	250	130	200	450	2350	2710	o.r.	
1SB7 453-6KA10-0AC0	4650	850	925	1545	1180	500	130	200	450	2350	2960	o.r.	
1SB7 453-6KA10-0CA0	4800	850	925	1545	1180	250	130	200	450	2350	2710	o.r.	
1SB7 453-6KA10-0CC0	4850	850	925	1545	1180	500	130	200	450	2350	2960	o.r.	
1SB7 454-6KA10-0AA0	4800	850	925	1545	1180	250	130	200	450	2350	2710	o.r.	

Motor type	Weight		Dimensions									
	kg	A	AD	AE	B	C	D	E	H	HD	L	ML
		mm	mm	mm	mm	mm	mm	mm	mm	mm	mm	mm
Innomotics HV M - 1SB. IC616 6600 V / 60 Hz B3 (IM 1001) - Dimension drawings												
1SB7 454-6KA10-0AC0	4850	850	925	1545	1180	500	130	200	450	2350	2960	o.r.
1SB7 454-6KA10-0CA0	4950	850	925	1545	1180	250	130	200	450	2350	2710	o.r.
1SB7 454-6KA10-0CC0	5000	850	925	1545	1180	500	130	200	450	2350	2960	o.r.
1SB7 457-6KA10-0AA0	5300	850	925	1545	1400	250	130	200	450	2350	2920	o.r.
1SB7 457-6KA10-0AC0	5300	850	925	1545	1400	500	130	200	450	2350	3170	o.r.
1SB7 457-6KA10-0CA0	5450	850	925	1545	1400	250	130	200	450	2350	2920	o.r.
1SB7 457-6KA10-0CC0	5500	850	925	1545	1400	500	130	200	450	2350	3170	o.r.
1SB7 458-6KA10-0AA0	5550	850	925	1545	1400	250	130	200	450	2350	2920	o.r.
1SB7 458-6KA10-0AC0	5600	850	925	1545	1400	500	130	200	450	2350	3170	o.r.
1SB7 458-6KA10-0CA0	5750	850	925	1545	1400	250	130	200	450	2350	2920	o.r.
1SB7 458-6KA10-0CC0	5800	850	925	1545	1400	500	130	200	450	2350	3170	o.r.
1SB7 502-6KA10-0AA0	6450	950	1005	1705	1320	315	160	240	500	2620	3060	o.r.
1SB7 502-6KA10-0AC0	6500	950	1005	1705	1320	560	170	240	500	2620	3300	o.r.
1SB7 502-6KA10-0CA0	6700	950	1005	1705	1320	315	160	240	500	2620	3060	o.r.
1SB7 502-6KA10-0CC0	6750	950	1005	1705	1320	560	170	240	500	2620	3300	o.r.
1SB7 503-6KA10-0AA0	6700	950	1005	1705	1320	315	160	240	500	2620	3060	o.r.
1SB7 503-6KA10-0AC0	6750	950	1005	1705	1320	560	170	240	500	2620	3300	o.r.
1SB7 503-6KA10-0CA0	6950	950	1005	1705	1320	315	160	240	500	2620	3060	o.r.
1SB7 503-6KA10-0CC0	7000	950	1005	1705	1320	560	170	240	500	2620	3300	o.r.
1SB7 504-6KA10-0AA0	7000	950	1005	1705	1320	315	160	240	500	2620	3060	o.r.
1SB7 504-6KA10-0AC0	7050	950	1005	1705	1320	560	170	240	500	2620	3300	o.r.
1SB7 504-6KA10-0CA0	7200	950	1005	1705	1320	315	160	240	500	2620	3060	o.r.
1SB7 504-6KA10-0CC0	7300	950	1005	1705	1320	560	170	240	500	2620	3300	o.r.
1SB7 507-6KA10-0AA0	7700	950	1005	1705	1500	315	160	240	500	2620	3270	o.r.
1SB7 507-6KA10-0AC0	7750	950	1005	1705	1500	560	170	240	500	2620	3510	o.r.
1SB7 507-6KA10-0CA0	7950	950	1005	1705	1500	315	160	240	500	2620	3270	o.r.
1SB7 507-6KA10-0CC0	8000	950	1005	1705	1500	560	170	240	500	2620	3510	o.r.
1SB7 508-6KA10-0AA0	8000	950	1005	1705	1500	315	160	240	500	2620	3270	o.r.
1SB7 508-6KA10-0AC0	8050	950	1005	1705	1500	560	170	240	500	2620	3510	o.r.
1SB7 561-6KA10-0CA0	8500	1060	1290	2060	1400	335	190	280	560	2830	3250	o.r.
1SB7 561-6KA10-0CC0	8550	1060	1290	2060	1400	600	190	280	560	2830	3520	o.r.
1SB7 563-6KA10-0CA0	9100	1060	1290	2060	1400	335	190	280	560	2830	3250	o.r.
1SB7 563-6KA10-0CC0	9200	1060	1290	2060	1400	600	190	280	560	2830	3520	o.r.
1SB7 567-6KA10-0CA0	10400	1060	1290	2060	1600	335	190	280	560	2830	3480	o.r.
1SB7 567-6KA10-0CC0	10450	1060	1290	2060	1600	600	190	280	560	2830	3750	o.r.
1SB7 568-6KA10-0CA0	11050	1060	1290	2060	1600	335	190	280	560	2830	3480	o.r.
1SB7 568-6KA10-0CC0	11100	1060	1290	2060	1600	600	190	280	560	2830	3750	o.r.

Motor type	Weight	Dimensions										
	kg	A mm	AD mm	AE mm	B mm	C mm	D mm	E mm	H mm	HD mm	L mm	ML mm
Innomotics HV M - 1SB. IC616 6600 V / 60 Hz B3 (IM 1001) - Dimension drawings												
1SB8 632-6KA10-0CG0	11550	1320	1520	2520	1600	375	200	280	630	3760	3920	o.r.
1SB8 632-6KA10-0CJ0	11650	1320	1520	2520	1600	630	200	280	630	3760	4170	o.r.
1SB8 633-6KA10-0CG0	12050	1320	1520	2520	1600	375	200	280	630	3760	3920	o.r.
1SB8 633-6KA10-0CJ0	12200	1320	1520	2520	1600	630	200	280	630	3760	4170	o.r.
1SB8 634-6KA10-0CG0	12550	1320	1520	2520	1600	375	200	280	630	3760	3920	o.r.
1SB8 634-6KA10-0CJ0	12650	1320	1520	2520	1600	630	200	280	630	3760	4170	o.r.
1SB8 637-6KA10-0CG0	13450	1320	1520	2520	1800	375	200	280	630	3760	4120	o.r.
1SB8 637-6KA10-0CJ0	13550	1320	1520	2520	1800	630	200	280	630	3760	4370	o.r.
1SB8 638-6KA10-0CG0	13900	1320	1520	2520	1800	375	200	280	630	3760	4120	o.r.
1SB8 638-6KA10-0CJ0	14050	1320	1520	2520	1800	630	200	280	630	3760	4370	o.r.
1SB8 712-6KA10-0CG0	15550	1500	1620	2720	2000	375	220	280	710	3090	3920	o.r.
1SB8 712-6KA10-0CJ0	15700	1500	1620	2720	2000	630	220	280	710	3090	4180	o.r.
1SB8 713-6KA10-0CG0	16550	1500	1620	2720	2000	375	220	280	710	3090	3920	o.r.
1SB8 713-6KA10-0CJ0	16700	1500	1620	2720	2000	630	220	280	710	3090	4180	o.r.
1SB8 714-6KA10-0CG0	17500	1500	1620	2720	2000	375	220	280	710	3090	3920	o.r.
1SB8 714-6KA10-0CJ0	17650	1500	1620	2720	2000	630	220	280	710	3090	4180	o.r.
1SB8 717-6KA10-0CG0	19150	1500	1620	2720	2240	375	220	280	710	3090	4160	o.r.
1SB8 717-6KA10-0CJ0	19300	1500	1620	2720	2240	630	220	280	710	3090	4420	o.r.
1SB8 718-6KA10-0CG0	20050	1500	1620	2720	2240	375	220	280	710	3090	4160	o.r.
1SB8 718-6KA10-0CJ0	20150	1500	1620	2720	2240	630	220	280	710	3090	4420	o.r.
8-pole												
1SB7 452-8KA10-0AA0	4650	850	925	1545	1180	250	130	200	450	2350	2710	o.r.
1SB7 452-8KA10-0AC0	4650	850	925	1545	1180	500	130	200	450	2350	2960	o.r.
1SB7 452-8KA10-0CA0	4800	850	925	1545	1180	250	130	200	450	2350	2710	o.r.
1SB7 452-8KA10-0CC0	4800	850	925	1545	1180	500	130	200	450	2350	2960	o.r.
1SB7 453-8KA10-0AA0	4800	850	925	1545	1180	250	130	200	450	2350	2710	o.r.
1SB7 453-8KA10-0AC0	4850	850	925	1545	1180	500	130	200	450	2350	2960	o.r.
1SB7 453-8KA10-0CA0	5000	850	925	1545	1180	250	130	200	450	2350	2710	o.r.
1SB7 453-8KA10-0CC0	5000	850	925	1545	1180	500	130	200	450	2350	2960	o.r.
1SB7 454-8KA10-0AA0	5050	850	925	1545	1180	250	130	200	450	2350	2710	o.r.
1SB7 454-8KA10-0AC0	5050	850	925	1545	1180	500	130	200	450	2350	2960	o.r.
1SB7 454-8KA10-0CA0	5200	850	925	1545	1180	250	130	200	450	2350	2710	o.r.
1SB7 454-8KA10-0CC0	5250	850	925	1545	1180	500	130	200	450	2350	2960	o.r.
1SB7 457-8KA10-0AA0	5550	850	925	1545	1400	250	130	200	450	2350	2920	o.r.
1SB7 457-8KA10-0AC0	5600	850	925	1545	1400	500	130	200	450	2350	3170	o.r.
1SB7 457-8KA10-0CA0	5750	850	925	1545	1400	250	130	200	450	2350	2920	o.r.
1SB7 457-8KA10-0CC0	5800	850	925	1545	1400	500	130	200	450	2350	3170	o.r.

Motor type	Weight				Dimensions								
	kg	A mm	AD mm	AE mm	B mm	C mm	D mm	E mm	H mm	HD mm	L mm	ML mm	
Innomotics HV M - 1SB. IC616 6600 V / 60 Hz B3 (IM 1001) - Dimension drawings													
1SB7 458-8KA10-0AA0	5850	850	925	1545	1400	250	130	200	450	2350	2920	o.r.	
1SB7 458-8KA10-0AC0	5850	850	925	1545	1400	500	130	200	450	2350	3170	o.r.	
1SB7 458-8KA10-0CA0	6050	850	925	1545	1400	250	130	200	450	2350	2920	o.r.	
1SB7 458-8KA10-0CC0	6050	850	925	1545	1400	500	130	200	450	2350	3170	o.r.	
1SB7 502-8KA10-0AA0	6450	950	1005	1705	1320	315	160	240	500	2620	3060	o.r.	
1SB7 502-8KA10-0AC0	6500	950	1005	1705	1320	560	170	240	500	2620	3300	o.r.	
1SB7 503-8KA10-0AA0	6750	950	1005	1705	1320	315	160	240	500	2620	3060	o.r.	
1SB7 503-8KA10-0AC0	6800	950	1005	1705	1320	560	170	240	500	2620	3300	o.r.	
1SB7 503-8KA10-0CA0	6950	950	1005	1705	1320	315	160	240	500	2620	3060	o.r.	
1SB7 503-8KA10-0CC0	7000	950	1005	1705	1320	560	170	240	500	2620	3300	o.r.	
1SB7 504-8KA10-0CA0	7250	950	1005	1705	1320	315	160	240	500	2620	3060	o.r.	
1SB7 504-8KA10-0CC0	7300	950	1005	1705	1320	560	170	240	500	2620	3300	o.r.	
1SB7 504-8KA10-0AA0	7050	950	1005	1705	1320	315	160	240	500	2620	3060	o.r.	
1SB7 504-8KA10-0AC0	7100	950	1005	1705	1320	560	170	240	500	2620	3300	o.r.	
1SB7 507-8KA10-0AA0	7700	950	1005	1705	1500	315	160	240	500	2620	3270	o.r.	
1SB7 507-8KA10-0AC0	7750	950	1005	1705	1500	560	170	240	500	2620	3510	o.r.	
1SB7 507-8KA10-0CA0	7950	950	1005	1705	1500	315	160	240	500	2620	3270	o.r.	
1SB7 507-8KA10-0CC0	8000	950	1005	1705	1500	560	170	240	500	2620	3510	o.r.	
1SB7 508-8KA10-0CA0	8300	950	1005	1705	1500	315	160	240	500	2620	3270	o.r.	
1SB7 508-8KA10-0CC0	8350	950	1005	1705	1500	560	170	240	500	2620	3510	o.r.	
1SB7 508-8KA10-0AA0	8050	950	1005	1705	1500	315	160	240	500	2620	3270	o.r.	
1SB7 508-8KA10-0AC0	8100	950	1005	1705	1500	560	170	240	500	2620	3510	o.r.	
1SB7 563-8KA10-0CA0	8850	1060	1075	1845	1400	335	190	280	560	2830	3250	o.r.	
1SB7 563-8KA10-0CC0	8950	1060	1075	1845	1400	600	190	280	560	2830	3520	o.r.	
1SB7 564-8KA10-0CA0	9300	1060	1075	1845	1400	335	190	280	560	2830	3250	o.r.	
1SB7 564-8KA10-0CC0	9400	1060	1075	1845	1400	600	190	280	560	2830	3520	o.r.	
1SB7 567-8KA10-0CA0	10300	1060	1075	1845	1600	335	190	280	560	2830	3480	o.r.	
1SB7 567-8KA10-0CC0	10350	1060	1075	1845	1600	600	190	280	560	2830	3750	o.r.	
1SB7 568-8KA10-0CA0	10750	1060	1075	1845	1600	335	190	280	560	2830	3480	o.r.	
1SB7 568-8KA10-0CC0	10850	1060	1075	1845	1600	600	190	280	560	2830	3750	o.r.	
1SB8 634-8KA10-0CG0	11700	1320	1520	2520	1600	375	200	280	630	3760	3920	o.r.	
1SB8 634-8KA10-0CJ0	11800	1320	1520	2520	1600	630	200	280	630	3760	4170	o.r.	
1SB8 637-8KA10-0CG0	12900	1320	1520	2520	1800	375	200	280	630	3760	4120	o.r.	
1SB8 637-8KA10-0CJ0	13000	1320	1520	2520	1800	630	200	280	630	3760	4370	o.r.	
1SB8 638-8KA10-0CG0	13600	1320	1520	2520	1800	375	200	280	630	3760	4120	o.r.	
1SB8 638-8KA10-0CJ0	13750	1320	1520	2520	1800	630	200	280	630	3760	4370	o.r.	
1SB8 712-8KA10-0CG0	14950	1500	1620	2720	2000	375	220	280	710	3090	3920	o.r.	

Motor type	Weight	Dimensions										
	kg	A mm	AD mm	AE mm	B mm	C mm	D mm	E mm	H mm	HD mm	L mm	ML mm
Innomotics HV M - 1SB. IC616 6600 V / 60 Hz B3 (IM 1001) - Dimension drawings												
1SB8 712-8KA10-0CJ0	15150	1500	1620	2720	2000	630	220	280	710	3090	4180	o.r.
1SB8 713-8KA10-0CG0	15800	1500	1620	2720	2000	375	220	280	710	3090	3920	o.r.
1SB8 713-8KA10-0CJ0	15950	1500	1620	2720	2000	630	220	280	710	3090	4180	o.r.
1SB8 714-8KA10-0CG0	16900	1500	1620	2720	2000	375	220	280	710	3090	3920	o.r.
1SB8 714-8KA10-0CJ0	17100	1500	1620	2720	2000	630	220	280	710	3090	4180	o.r.
1SB8 717-8KA10-0CG0	18550	1500	1620	2720	2240	375	220	280	710	3090	4160	o.r.
1SB8 717-8KA10-0CJ0	18750	1500	1620	2720	2240	630	220	280	710	3090	4420	o.r.
1SB8 718-8KA10-0CG0	19650	1500	1620	2720	2240	375	220	280	710	3090	4160	o.r.
1SB8 718-8KA10-0CJ0	19850	1500	1620	2720	2240	630	220	280	710	3090	4420	o.r.

Innomotics HV M - 1SB. IC616 10000 V / 50 Hz B3 (IM 1001)																					
Rated power IEC	Article No.	Speed	Rated current				Efficiency				Power factor				Torque	Breakdown torque	Locked torque	Locked rotor current	Inertia		
			I_R	5/4 load	4/4 load	3/4 load	2/4 load	5/4 load	4/4 load	3/4 load	2/4 load	5/4 load	4/4 load	3/4 load					2/4 load	T_R	T_B/ T_R
kW		rpm	A	%	%	%	%	cos φ	cos φ	cos φ	cos φ	Nm	[-]	[-]	[-]	kgm ²	kgm ²	[-]			
2-pole: n_{sync} = 3000 rpm at 50 Hz																					
1260	1SB7 453-2KA80-0A.2	2979	85	95.2	95.7	95.8	95.1	0.88	0.89	0.88	0.82	4040	2.40	0.55	5.8	10	60	o.r.			
1280	1SB7 453-2KA80-0C.2	2981	87	95.3	95.7	95.8	95.2	0.88	0.89	0.89	0.84	4103	2.45	0.60	5.5	14	100	o.r.			
1400	1SB7 454-2KA80-0C.2	2981	94	95.5	95.8	95.8	95.1	0.89	0.90	0.89	0.84	4485	2.60	0.65	6.0	15	100	o.r.			
1400	1SB7 454-2KA80-0A.2	2979	94	95.2	95.8	96.0	95.6	0.88	0.90	0.89	0.86	4493	2.40	0.55	5.8	11	60	o.r.			
1600	1SB7 457-2KA80-0A.2	2980	106	95.6	96.0	96.1	95.5	0.89	0.90	0.89	0.84	5129	2.60	0.60	5.8	12	70	o.r.			
1600	1SB7 457-2KA80-0C.2	2981	106	95.6	96.0	96.1	95.5	0.89	0.90	0.90	0.86	5128	2.60	0.65	6.0	16	120	o.r.			
1800	1SB7 458-2KA80-0A.2	2980	120	95.8	96.2	96.3	95.8	0.89	0.90	0.89	0.85	5770	2.70	0.60	6.0	13	70	o.r.			
1800	1SB7 458-2KA80-0C.2	2981	120	95.8	96.2	96.3	95.8	0.90	0.90	0.90	0.86	5768	2.65	0.65	6.0	18	120	o.r.			
1920	1SB7 503-2KA80-0A.2	2973	130	95.6	96.1	96.3	96.0	0.88	0.89	0.89	0.85	6168	2.60	0.50	5.0	15	60	o.r.			
2000	1SB7 503-2KA80-0C.2	2978	134	95.8	96.2	96.4	96.1	0.89	0.89	0.89	0.86	6419	2.45	0.55	4.7	20	142	o.r.			
2000	1SB7 504-2KA80-0A.2	2975	134	95.8	96.2	96.4	96.0	0.89	0.89	0.88	0.84	6420	2.85	0.70	5.6	15	66	o.r.			
2100	1SB7 504-2KA80-0C.2	2979	140	96.0	96.3	96.5	96.1	0.90	0.90	0.90	0.86	6735	2.65	0.70	5.1	21	142	o.r.			
2240	1SB7 507-2KA80-0A.2	2976	150	96.1	96.4	96.7	96.4	0.90	0.90	0.90	0.86	7189	2.85	0.70	5.8	18	78	o.r.			
2360	1SB7 507-2KA80-0C.2	2979	156	96.2	96.6	96.8	96.5	0.91	0.91	0.91	0.88	7568	2.65	0.70	5.3	24	156	o.r.			
2640	1SB7 508-2KA80-0C.2	2980	172	96.4	96.8	97.0	96.7	0.91	0.92	0.92	0.88	8462	2.75	0.75	5.7	27	164	o.r.			
2500	1SB7 508-2KA80-0A.2	2975	164	96.3	96.7	97.0	96.8	0.91	0.91	0.91	0.88	8026	2.75	0.80	5.7	20	84	o.r.			
2950	1SB7 562-2KA80-0CC2	2986	194	96.3	96.3	96.1	95.2	0.91	0.91	0.89	0.84	9437	2.95	0.80	6.0	41	230	o.r.			
3300	1SB7 563-2KA80-0CC2	2984	215	96.4	96.5	96.4	95.8	0.91	0.91	0.90	0.86	10565	2.55	0.65	5.9	44	260	o.r.			
3750	1SB7 564-2KA80-0CC2	2986	245	96.3	96.3	96.0	95.1	0.92	0.91	0.90	0.85	11996	2.95	0.75	6.0	47	265	o.r.			
4250	1SB7 567-2KA80-0CC2	2985	275	96.6	96.5	96.4	95.7	0.92	0.92	0.91	0.87	13600	2.75	0.70	5.7	52	295	o.r.			
4600	1SB7 568-2KA80-0CC2	2987	300	96.8	96.7	96.5	95.8	0.93	0.92	0.91	0.86	14709	3.10	0.75	6.4	58	320	o.r.			
5100	1SB8 633-2KA80-0CJ0	2981	345	96.1	96.5	96.3	95.5	0.86	0.89	0.90	0.89	16337	2.00	0.55	4.7	82	280	o.r.			
5600	1SB8 634-2KA80-0CJ2	2983	370	96.4	96.7	96.5	95.6	0.88	0.90	0.90	0.90	17927	2.15	0.60	5.1	90	290	o.r.			
6200	1SB8 637-2KA80-0CJ0	2984	405	96.6	96.9	96.6	95.8	0.89	0.91	0.91	0.90	19841	2.35	0.65	5.6	99	300	o.r.			
6850	1SB8 638-2KA80-0CJ0	2985	450	96.8	97.1	96.8	96.1	0.89	0.91	0.91	0.90	21914	2.40	0.60	5.7	107	310	o.r.			
7150	1SB8 712-2KA80-0CJ0	2988	475	96.4	96.5	96.2	95.1	0.87	0.90	0.89	0.88	22851	2.20	0.50	5.2	149	250	o.r.			
8050	1SB8 713-2KA80-0CJ0	2987	530	96.7	96.8	96.5	95.6	0.89	0.91	0.90	0.89	25735	2.20	0.60	5.2	160	220	o.r.			
8250	1SB8 714-2KA80-0CJ0	2988	540	96.8	96.9	96.6	95.7	0.88	0.91	0.91	0.89	26366	2.15	0.55	5.1	172	260	o.r.			
9050	1SB8 716-2KA80-0CJ0	2988	590	96.9	97.1	96.8	96.0	0.88	0.91	0.91	0.89	28923	2.15	0.50	5.1	184	270	o.r.			
9700	1SB8 717-2KA80-0CJ0	2988	630	97.0	97.2	96.9	96.1	0.89	0.91	0.91	0.89	31000	2.20	0.50	5.3	199	280	o.r.			
10000	1SB8 718-2KA80-0CJ2	2989	640	97.2	97.3	97.0	96.2	0.90	0.92	0.91	0.90	31948	2.45	0.60	5.9	217	310	o.r.			
4-pole: n_{sync} = 1500 rpm at 50 Hz																					
1220	1SB7 453-4KA80-0A.2	1485	84	94.9	95.5	95.6	95.3	0.88	0.88	0.86	0.79	7849	2.70	0.80	6.0	17	320	o.r.			
1260	1SB7 453-4KA80-0C.2	1488	86	95.1	95.7	95.9	95.5	0.87	0.88	0.86	0.80	8094	2.50	0.60	5.5	23	350	o.r.			
1300	1SB7 454-4KA80-0A.2	1485	88	95.1	95.7	95.8	95.4	0.89	0.89	0.86	0.79	8359	2.85	0.80	6.2	19	375	o.r.			
1400	1SB7 454-4KA80-0C.2	1488	95	95.2	95.8	96.0	95.7	0.88	0.89	0.87	0.82	8991	2.50	0.60	5.5	26	360	o.r.			

Innomotics HV M - 1SB. IC616 10000 V / 50 Hz B3 (IM 1001)																		
Rated power IEC	Article No.	Speed	Rated current I_R	Efficiency				Power factor				Torque T_R	Breakdown torque T_B/ T_R	Locked rotor torque T_{LR}/ T_R	Locked rotor current I_{LR}/ I_R	Inertia		
				5/4 load	4/4 load	3/4 load	2/4 load	5/4 load	4/4 load	3/4 load	2/4 load					motor	external	Startup max T/TR
kW		rpm	A	%	%	%	%	$\cos \varphi$	$\cos \varphi$	$\cos \varphi$	$\cos \varphi$	Nm	[-]	[-]	[-]	kgm ²	kgm ²	[-]
1650	1SB7 457-4KA80-0C.2	1488	112	95.7	96.2	96.4	96.1	0.89	0.89	0.88	0.83	10592	2.55	0.60	5.8	30	580	o.r.
1480	1SB7 457-4KA80-0A.2	1485	99	95.2	95.9	96.1	96.0	0.89	0.90	0.89	0.85	9526	2.60	0.80	6.2	22	425	o.r.
1800	1SB7 458-4KA80-0C.2	1489	122	95.9	96.3	96.4	96.1	0.89	0.89	0.87	0.81	11546	2.80	0.65	6.0	33	615	o.r.
1620	1SB7 458-4KA80-0A.2	1485	108	95.5	96.1	96.3	96.2	0.90	0.90	0.89	0.85	10422	2.70	0.85	6.5	24	460	o.r.
1940	1SB7 503-4KA80-0A.2	1487	130	95.6	96.1	96.5	96.2	0.88	0.89	0.88	0.85	12475	2.40	0.80	5.3	37	630	o.r.
1960	1SB7 503-4KA80-0C.2	1488	132	95.7	96.2	96.5	96.2	0.88	0.89	0.89	0.86	12592	2.35	0.60	4.9	45	605	o.r.
2140	1SB7 504-4KA80-0C.2	1491	146	96.0	96.4	96.5	95.9	0.88	0.88	0.86	0.79	13718	2.65	0.65	5.6	50	670	o.r.
2000	1SB7 504-4KA80-0A.2	1486	134	95.7	96.2	96.5	96.3	0.88	0.90	0.90	0.87	12860	2.45	0.90	5.5	40	625	o.r.
2330	1SB7 507-4KA80-0C.2	1490	158	96.1	96.5	96.7	96.2	0.87	0.88	0.87	0.82	14943	2.45	0.55	5.2	55	745	o.r.
2260	1SB7 507-4KA80-0A.2	1487	152	95.8	96.4	96.7	96.5	0.88	0.89	0.90	0.87	14533	2.40	0.85	5.5	46	765	o.r.
2530	1SB7 508-4KA80-0C.2	1491	170	96.3	96.7	96.8	96.4	0.89	0.89	0.89	0.84	16215	2.80	0.75	6.0	62	815	o.r.
2520	1SB7 508-4KA80-0A.2	1488	170	96.1	96.6	96.8	96.5	0.89	0.89	0.89	0.85	16185	2.70	1.00	6.2	50	800	o.r.
2800	1SB7 563-4KA80-0C.2	1492	188	96.5	96.7	97.0	96.6	0.88	0.89	0.87	0.83	17937	2.45	0.65	6.0	80	825	o.r.
3350	1SB7 564-4KA80-0C.2	1491	224	96.5	96.9	97.1	96.9	0.88	0.89	0.89	0.86	21478	2.25	0.60	5.4	90	945	o.r.
3600	1SB7 566-4KA80-0C.2	1492	238	96.7	97.0	97.2	96.9	0.89	0.90	0.89	0.86	23062	2.50	0.75	6.1	100	975	o.r.
4150	1SB7 567-4KA80-0C.2	1491	274	96.8	97.1	97.4	97.1	0.89	0.90	0.90	0.86	26587	2.50	0.75	6.1	110	995	o.r.
4500	1SB7 568-4KA80-0C.2	1492	300	97.0	97.2	97.4	97.1	0.90	0.89	0.89	0.84	28809	2.60	0.75	6.4	119	1015	o.r.
5050	1SB8 633-4KA80-0C.0	1492	340	96.5	96.8	96.7	96.1	0.88	0.89	0.87	0.82	32322	2.50	0.60	5.9	151	780	o.r.
5600	1SB8 634-4KA80-0C.2	1492	370	96.7	96.9	96.9	96.3	0.89	0.90	0.88	0.84	35842	2.50	0.60	6.0	166	1060	o.r.
6150	1SB8 637-4KA80-0C.0	1492	410	96.8	97.1	97.0	96.4	0.88	0.89	0.87	0.81	39362	2.60	0.55	6.0	181	950	o.r.
6750	1SB8 638-4KA80-0C.0	1492	450	97.0	97.2	97.1	96.6	0.88	0.89	0.87	0.81	43202	2.45	0.50	6.0	196	1060	o.r.
7050	1SB8 712-4KA80-0C.0	1491	465	96.7	97.1	97.2	96.8	0.88	0.90	0.90	0.88	45153	2.25	0.50	5.4	259	960	o.r.
7650	1SB8 713-4KA80-0C.0	1492	500	96.9	97.3	97.3	96.9	0.89	0.91	0.90	0.88	48963	2.40	0.50	5.7	284	1040	o.r.
8350	1SB8 714-4KA80-0C.0	1492	540	97.0	97.4	97.4	97.0	0.90	0.91	0.91	0.88	53443	2.50	0.55	6.0	312	1120	o.r.
9250	1SB8 717-4KA80-0C.0	1492	600	97.2	97.5	97.5	97.1	0.90	0.91	0.91	0.88	59203	2.55	0.55	6.0	345	1260	o.r.
9450	1SB8 718-4KA80-0C.0	1493	610	97.2	97.5	97.5	97.1	0.90	0.91	0.90	0.87	60443	2.60	0.50	6.0	362	1450	o.r.
6-pole: n_{sync} = 1000 rpm at 50 Hz																		
860	1SB7 452-6KA80-0A.2	990	61	94.3	95.1	95.3	95.1	0.85	0.85	0.81	0.72	8298	2.35	0.80	5.4	20	510	o.r.
880	1SB7 452-6KA80-0C.2	990	62	94.1	95.0	95.3	95.2	0.85	0.86	0.83	0.75	8492	2.35	0.65	5.0	27	645	o.r.
930	1SB7 453-6KA80-0A.0	990	66	94.4	95.1	95.4	95.2	0.85	0.85	0.82	0.73	8973	2.40	0.80	5.7	22	525	o.r.
950	1SB7 453-6KA80-0C.0	990	67	94.3	95.1	95.4	95.3	0.85	0.86	0.83	0.76	9169	2.40	0.65	5.2	30	650	o.r.
1010	1SB7 454-6KA80-0A.2	990	71	94.5	95.3	95.6	95.4	0.85	0.86	0.83	0.74	9744	2.50	0.85	5.7	24	600	o.r.
1020	1SB7 454-6KA80-0C.2	990	72	94.5	95.3	95.6	95.5	0.86	0.86	0.84	0.76	9843	2.50	0.70	5.4	33	770	o.r.
1120	1SB7 457-6KA80-0A.2	990	78	94.8	95.5	95.8	95.7	0.86	0.87	0.84	0.76	10806	2.50	0.85	5.5	28	670	o.r.
1120	1SB7 457-6KA80-0C.2	990	78	94.8	95.5	95.8	95.7	0.86	0.87	0.85	0.78	10807	2.50	0.70	5.5	36	880	o.r.
1250	1SB7 458-6KA80-0A.2	990	87	94.9	95.6	96.0	96.0	0.87	0.87	0.85	0.78	12062	2.50	0.85	5.5	31	690	o.r.
1250	1SB7 458-6KA80-0C.2	990	87	94.9	95.6	96.0	95.9	0.87	0.87	0.85	0.79	12063	2.50	0.70	5.5	41	895	o.r.

Innomotics HV M - 1SB. IC616 10000 V / 50 Hz B3 (IM 1001)																			
Rated power IEC	Article No.	Speed	Rated current I_R	Efficiency				Power factor				Torque T_R	Breakdown torque T_B/ T_R	Locked rotor torque T_{LR}/ T_R	Locked rotor current I_{LR}/ I_R	Inertia			
				5/4 load	4/4 load	3/4 load	2/4 load	5/4 load	4/4 load	3/4 load	2/4 load					motor	external	Startup max T/TR	
kW		rpm	A	%	%	%	%	cos φ	cos φ	cos φ	cos φ	Nm	[-]	[-]	[-]	kgm ²	kgm ²	[-]	
1550	1SB7 503-6KA80-0A.2	991	97	95.1	96.0	96.3	96.2	0.85	0.86	0.86	0.81	14955	2.15	0.80	4.6	46	1080	o.r.	
1700	1SB7 504-6KA80-0A.2	991	110	95.4	96.1	96.4	96.4	0.86	0.86	0.85	0.80	16390	2.30	0.90	5.0	51	1280	o.r.	
1950	1SB7 507-6KA80-0A.2	991	124	95.7	96.2	96.6	96.5	0.86	0.86	0.85	0.79	18794	2.40	0.95	5.2	58	1560	o.r.	
2050	1SB7 508-6KA80-0A.2	991	138	95.8	96.3	96.6	96.4	0.87	0.86	0.85	0.78	19753	2.55	1.00	5.6	63	1540	o.r.	
2240	1SB7 561-6KA80-0C.2	994	156	95.9	96.2	96.4	96.0	0.85	0.86	0.81	0.75	21531	2.10	0.65	6.0	97	2095	o.r.	
2600	1SB7 562-6KA80-0C.2	993	182	95.7	96.3	96.2	95.8	0.85	0.86	0.83	0.78	25011	2.10	0.60	6.0	105	1890	o.r.	
2650	1SB7 563-6KA80-0C.2	993	184	95.8	96.4	96.5	96.2	0.85	0.86	0.86	0.82	25514	2.00	0.60	5.5	113	1725	o.r.	
3000	1SB7 564-6KA80-0C.2	994	210	96.2	96.5	96.5	96.2	0.86	0.86	0.83	0.77	28898	2.00	0.60	6.0	124	2065	o.r.	
3300	1SB7 567-6KA80-0C.2	993	230	96.3	96.6	96.8	96.5	0.86	0.86	0.85	0.80	31736	2.00	0.60	6.0	137	3135	o.r.	
3550	1SB7 568-6KA80-0C.2	994	245	96.5	96.8	96.9	96.7	0.86	0.86	0.84	0.78	34108	2.20	0.65	6.0	151	2955	o.r.	
4000	1SB8 632-6KA80-0C.2	993	280	96.1	96.5	96.6	96.0	0.85	0.86	0.83	0.75	38466	2.35	0.60	5.4	193	2320	o.r.	
4150	1SB8 633-6KA80-0C.0	993	285	96.3	96.6	96.7	96.1	0.85	0.87	0.83	0.75	39909	2.45	0.60	5.5	209	2630	o.r.	
4500	1SB8 634-6KA80-0C.2	993	310	96.4	96.7	96.8	96.3	0.86	0.87	0.84	0.77	43275	2.45	0.60	5.5	227	2870	o.r.	
4800	1SB8 637-6KA80-0C.0	993	330	96.5	96.8	96.9	96.3	0.86	0.87	0.84	0.77	46160	2.50	0.60	5.5	247	3230	o.r.	
5000	1SB8 638-6KA80-0C.2	994	340	96.6	96.9	96.9	96.3	0.86	0.87	0.83	0.74	48035	2.55	0.60	5.5	264	3730	o.r.	
5700	1SB8 712-6KA80-0C.0	994	390	96.7	97.1	97.2	96.7	0.86	0.87	0.84	0.77	54760	2.40	0.55	5.5	331	2880	o.r.	
6300	1SB8 713-6KA80-0C.2	994	430	96.9	97.2	97.3	96.9	0.86	0.87	0.85	0.79	60524	2.45	0.60	5.5	374	3260	o.r.	
6900	1SB8 714-6KA80-0C.0	994	465	97.0	97.3	97.4	97.0	0.87	0.88	0.86	0.79	66288	2.50	0.55	5.5	423	3810	o.r.	
7450	1SB8 717-6KA80-0C.0	994	500	97.0	97.4	97.5	97.2	0.87	0.88	0.87	0.82	71572	2.30	0.50	5.5	476	4530	o.r.	
8150	1SB8 718-6KA80-0C.0	995	550	97.2	97.5	97.5	97.2	0.87	0.88	0.85	0.79	78218	2.45	0.50	5.5	520	5150	o.r.	
8-pole: n_{sync} = 750 rpm at 50 Hz																			
580	1SB7 451-8KA80-0A.0	741	44	93.4	94.4	94.8	94.6	0.81	0.81	0.75	0.64	7472	2.05	0.70	5.3	23	600	o.r.	
630	1SB7 452-8KA80-0A.0	741	47	93.4	94.5	94.9	94.8	0.82	0.82	0.77	0.66	8115	2.10	0.70	5.5	25	610	o.r.	
720	1SB7 453-8KA80-0A.2	742	54	94.1	95.0	95.3	95.1	0.81	0.81	0.75	0.64	9272	2.25	0.75	5.5	28	940	o.r.	
820	1SB7 454-8KA80-0A.2	743	63	94.6	95.3	95.4	95.2	0.81	0.79	0.72	0.58	10545	2.45	0.85	5.4	31	1300	o.r.	
900	1SB7 457-8KA80-0A.2	743	68	94.7	95.4	95.6	95.4	0.81	0.80	0.73	0.60	11574	2.50	0.85	5.5	35	1400	o.r.	
1000	1SB7 458-8KA80-0A.2	743	76	94.8	95.5	95.7	95.4	0.82	0.80	0.74	0.61	12861	2.55	0.85	5.5	39	1430	o.r.	
1120	1SB7 502-8KA80-0C.2	743	81	94.9	95.7	96.1	96.1	0.82	0.83	0.81	0.73	14406	2.15	0.55	4.1	59	2040	o.r.	
1220	1SB7 503-8KA80-0A.2	743	89	95.1	95.8	96.2	96.2	0.82	0.83	0.80	0.73	15693	2.10	0.80	4.3	51	2290	o.r.	
1250	1SB7 503-8KA80-0C.2	742	91	95.0	95.8	96.2	96.3	0.82	0.83	0.82	0.75	16095	2.10	0.55	4.0	65	2130	o.r.	
1280	1SB7 504-8KA80-0A.2	743	93	95.3	95.9	96.3	96.3	0.83	0.83	0.80	0.73	16457	2.20	0.85	4.5	56	2100	o.r.	
1300	1SB7 504-8KA80-0C.2	743	93	95.2	95.9	96.3	96.3	0.84	0.84	0.81	0.74	16722	2.25	0.60	4.3	72	2330	o.r.	
1400	1SB7 507-8KA80-0A.2	744	102	95.4	96.1	96.4	96.4	0.83	0.83	0.80	0.74	17995	2.25	0.85	4.7	63	2370	o.r.	
1480	1SB7 507-8KA80-0C.2	743	106	95.4	96.0	96.4	96.5	0.83	0.84	0.82	0.75	19039	2.20	0.65	4.3	80	2970	o.r.	
1600	1SB7 508-8KA80-0A.2	744	116	95.6	96.2	96.5	96.4	0.82	0.83	0.81	0.73	20561	2.30	0.90	4.7	69	2680	o.r.	
1620	1SB7 508-8KA80-0C.2	743	116	95.7	96.2	96.5	96.5	0.83	0.84	0.81	0.74	20824	2.35	0.65	4.5	88	3340	o.r.	
1880	1SB7 563-8KA80-0C.2	744	136	95.5	96.1	96.4	96.2	0.83	0.83	0.81	0.75	24144	2.10	0.60	4.6	124	3020	o.r.	

Innomotics HV M - 1SB. IC616 10000 V / 50 Hz B3 (IM 1001)																		
Rated power IEC	Article No.	Speed	Rated current I_R	Efficiency				Power factor				Torque T_R	Breakdown torque T_B/ T_R	Locked rotor torque T_{LR}/ T_R	Locked rotor current I_{LR}/ I_R	Inertia		
				5/4 load	4/4 load	3/4 load	2/4 load	5/4 load	4/4 load	3/4 load	2/4 load					motor	external	Startup max T/TR
kW		rpm	A	%	%	%	%	$\cos \varphi$	$\cos \varphi$	$\cos \varphi$	$\cos \varphi$	Nm	[-]	[-]	[-]	kgm ²	kgm ²	[-]
2080	1SB7 564-8KA80-0C.2	744	150	95.8	96.3	96.5	96.2	0.83	0.83	0.81	0.74	26711	2.20	0.65	4.9	137	3650	o.r.
2300	1SB7 567-8KA80-0C.2	744	164	95.9	96.4	96.7	96.5	0.83	0.84	0.82	0.76	29553	2.10	0.60	4.7	150	4935	o.r.
2550	1SB7 568-8KA80-0C.2	744	182	96.1	96.6	96.8	96.6	0.83	0.84	0.82	0.75	32757	2.20	0.60	4.8	165	6225	o.r.
2800	1SB8 633-8KA80-0C.2	744	198	95.4	95.9	95.9	95.4	0.85	0.85	0.81	0.72	35938	2.15	0.45	4.7	216	2980	o.r.
3250	1SB8 634-8KA80-0C.0	744	230	95.7	96.2	96.2	95.7	0.85	0.85	0.81	0.73	41714	2.20	0.50	4.8	251	4820	o.r.
3600	1SB8 637-8KA80-0C.0	745	255	96.0	96.4	96.3	95.7	0.85	0.84	0.79	0.68	46144	2.40	0.50	5.1	291	5730	o.r.
3800	1SB8 638-8KA80-0C.0	745	270	96.2	96.5	96.3	95.7	0.85	0.84	0.78	0.67	48708	2.50	0.55	5.5	324	6970	o.r.
4250	1SB8 713-8KA80-0C.0	746	275	96.3	96.7	96.7	96.3	0.87	0.87	0.83	0.74	54403	2.40	0.55	5.2	471	4400	o.r.
4800	1SB8 714-8KA80-0C.0	746	310	96.5	96.8	96.8	96.4	0.86	0.86	0.82	0.74	61443	2.40	0.50	5.1	536	4580	o.r.
5250	1SB8 717-8KA80-0C.0	746	340	96.6	97.0	97.0	96.7	0.87	0.88	0.84	0.77	67203	2.40	0.55	5.2	616	5990	o.r.
5500	1SB8 718-8KA80-0C.0	746	370	96.7	97.0	97.1	96.7	0.88	0.88	0.84	0.77	70404	2.50	0.60	5.5	680	6130	o.r.

Motor type	Weight				Dimensions								
	kg	A mm	AD mm	AE mm	B mm	C mm	D mm	E mm	H mm	HD mm	L mm	ML mm	
Innomotics HV M - 1SB. IC616 10000 V / 50 Hz B3 (IM 1001) - Dimension drawings													
2-pole													
1SB7 453-2KA80-0AA2	4700	850	1140	1760	1180	250	95	130	450	2350	2640	o.r.	
1SB7 453-2KA80-0AC2	4550	850	1140	1760	1180	475	95	130	450	2350	2870	o.r.	
1SB7 453-2KA80-0CA2	4800	850	1140	1760	1180	250	95	130	450	2350	2640	o.r.	
1SB7 453-2KA80-0CC2	4700	850	1140	1760	1180	475	95	130	450	2350	2870	o.r.	
1SB7 454-2KA80-0CA2	4900	850	1140	1760	1180	250	95	130	450	2350	2640	o.r.	
1SB7 454-2KA80-0CC2	4850	850	1140	1760	1180	475	95	130	450	2350	2870	o.r.	
1SB7 454-2KA80-0AA2	4800	850	1140	1760	1180	250	95	130	450	2350	2640	o.r.	
1SB7 454-2KA80-0AC2	4700	850	1140	1760	1180	475	95	130	450	2350	2870	o.r.	
1SB7 457-2KA80-0AA2	5250	850	1140	1760	1400	250	95	130	450	2350	2850	o.r.	
1SB7 457-2KA80-0AC2	5150	850	1140	1760	1400	475	95	130	450	2350	3080	o.r.	
1SB7 457-2KA80-0CA2	5400	850	1140	1760	1400	250	95	130	450	2350	2850	o.r.	
1SB7 457-2KA80-0CC2	5300	850	1140	1760	1400	475	95	130	450	2350	3080	o.r.	
1SB7 458-2KA80-0AA2	5450	850	1140	1760	1400	250	95	130	450	2350	2850	o.r.	
1SB7 458-2KA80-0AC2	5350	850	1140	1760	1400	475	95	130	450	2350	3080	o.r.	
1SB7 458-2KA80-0CA2	5600	850	1140	1760	1400	250	95	130	450	2350	2850	o.r.	
1SB7 458-2KA80-0CC2	5500	850	1140	1760	1400	475	95	130	450	2350	3080	o.r.	
1SB7 503-2KA80-0AA2	6450	950	1220	1920	1320	250	110	165	500	2710	2920	o.r.	
1SB7 503-2KA80-0AC2	6400	950	1220	1920	1320	530	120	165	500	2710	3200	o.r.	
1SB7 503-2KA80-0CA2	6600	950	1220	1920	1320	250	110	165	500	2710	2920	o.r.	
1SB7 503-2KA80-0CC2	6500	950	1220	1920	1320	530	120	165	500	2710	3200	o.r.	
1SB7 504-2KA80-0AA2	6500	950	1220	1920	1320	250	110	165	500	2710	2920	o.r.	
1SB7 504-2KA80-0AC2	6450	950	1220	1920	1320	530	120	165	500	2710	3200	o.r.	
1SB7 504-2KA80-0CA2	6650	950	1220	1920	1320	250	110	165	500	2710	2920	o.r.	
1SB7 504-2KA80-0CC2	6600	950	1220	1920	1320	530	120	165	500	2710	3200	o.r.	
1SB7 507-2KA80-0AA2	7200	950	1220	1920	1500	250	110	165	500	2710	3130	o.r.	
1SB7 507-2KA80-0AC2	7150	950	1220	1920	1500	530	120	165	500	2710	3410	o.r.	
1SB7 507-2KA80-0CA2	7350	950	1220	1920	1500	250	110	165	500	2710	3130	o.r.	
1SB7 507-2KA80-0CC2	7300	950	1220	1920	1500	530	120	165	500	2710	3410	o.r.	
1SB7 508-2KA80-0CA2	7750	950	1220	1920	1500	250	110	165	500	2710	3130	o.r.	
1SB7 508-2KA80-0CC2	7700	950	1220	1920	1500	530	120	165	500	2710	3410	o.r.	
1SB7 508-2KA80-0AA2	7600	950	1220	1920	1500	250	110	165	500	2710	3130	o.r.	
1SB7 508-2KA80-0AC2	7550	950	1220	1920	1500	530	120	165	500	2710	3410	o.r.	
1SB7 562-2KA80-0CC2	8100	1060	1290	2060	1400	600	150	200	560	2830	3440	o.r.	
1SB7 563-2KA80-0CC2	8400	1060	1290	2060	1400	600	150	200	560	2830	3440	o.r.	
1SB7 564-2KA80-0CC2	8650	1060	1290	2060	1400	600	150	200	560	2830	3440	o.r.	
1SB7 567-2KA80-0CC2	9550	1060	1290	2060	1600	600	150	200	560	2830	3670	o.r.	

Motor type	Weight		Dimensions										
	kg	A mm	AD mm	AE mm	B mm	C mm	D mm	E mm	H mm	HD mm	L mm	ML mm	
Innomotics HV M - 1SB. IC616 10000 V / 50 Hz B3 (IM 1001) - Dimension drawings													
1SB7 568-2KA80-0CC2	10050	1060	1290	2060	1600	600	150	200	560	2830	3670	o.r.	
1SB8 633-2KA80-0CJ0	10850	1320	1520	2520	1600	560	160	240	630	3800	4060	o.r.	
1SB8 634-2KA80-0CJ2	11350	1320	1520	2520	1600	560	160	240	630	3800	4060	o.r.	
1SB8 637-2KA80-0CJ0	12250	1320	1520	2520	1800	560	160	240	630	3800	4260	o.r.	
1SB8 638-2KA80-0CJ0	12850	1320	1520	2520	1800	560	160	240	630	3800	4260	o.r.	
1SB8 712-2KA80-0CJ0	14300	1500	1620	2720	2000	560	180	240	710	3090	4070	o.r.	
1SB8 713-2KA80-0CJ0	14950	1500	1620	2720	2000	560	180	240	710	3090	4070	o.r.	
1SB8 714-2KA80-0CJ0	15650	1500	1620	2720	2000	560	180	240	710	3090	4070	o.r.	
1SB8 716-2KA80-0CJ0	16750	1500	1620	2720	2240	560	180	240	710	3090	4310	o.r.	
1SB8 717-2KA80-0CJ0	17550	1500	1620	2720	2240	560	180	240	710	3090	4310	o.r.	
1SB8 718-2KA80-0CJ2	18500	1500	1620	2720	2240	560	180	240	710	3090	4310	o.r.	
4-pole													
1SB7 453-4KA80-0AA2	4650	850	1140	1760	1180	250	130	200	450	2350	2710	o.r.	
1SB7 453-4KA80-0AC2	4700	850	1140	1760	1180	500	130	200	450	2350	2960	o.r.	
1SB7 453-4KA80-0CA2	4800	850	1140	1760	1180	250	130	200	450	2350	2710	o.r.	
1SB7 453-4KA80-0CC2	4850	850	1140	1760	1180	500	130	200	450	2350	2960	o.r.	
1SB7 454-4KA80-0AA2	4800	850	1140	1760	1180	250	130	200	450	2350	2710	o.r.	
1SB7 454-4KA80-0AC2	4850	850	1140	1760	1180	500	130	200	450	2350	2960	o.r.	
1SB7 454-4KA80-0CA2	5000	850	1140	1760	1180	250	130	200	450	2350	2710	o.r.	
1SB7 454-4KA80-0CC2	5000	850	1140	1760	1180	500	130	200	450	2350	2960	o.r.	
1SB7 457-4KA80-0CA2	5650	850	1140	1760	1400	250	130	200	450	2350	2920	o.r.	
1SB7 457-4KA80-0CC2	5700	850	1140	1760	1400	500	130	200	450	2350	3170	o.r.	
1SB7 457-4KA80-0AA2	5450	850	1140	1760	1400	250	130	200	450	2350	2920	o.r.	
1SB7 457-4KA80-0AC2	5450	850	1140	1760	1400	500	130	200	450	2350	3170	o.r.	
1SB7 458-4KA80-0CA2	5850	850	1140	1760	1400	250	130	200	450	2350	2920	o.r.	
1SB7 458-4KA80-0CC2	5900	850	1140	1760	1400	500	130	200	450	2350	3170	o.r.	
1SB7 458-4KA80-0AA2	5650	850	1140	1760	1400	250	130	200	450	2350	2920	o.r.	
1SB7 458-4KA80-0AC2	5700	850	1140	1760	1400	500	130	200	450	2350	3170	o.r.	
1SB7 503-4KA80-0AA2	6700	950	1220	1920	1320	315	160	240	500	2710	3060	o.r.	
1SB7 503-4KA80-0AC2	6800	950	1220	1920	1320	560	170	240	500	2710	3300	o.r.	
1SB7 503-4KA80-0CA2	6850	950	1220	1920	1320	315	160	240	500	2710	3060	o.r.	
1SB7 503-4KA80-0CC2	6950	950	1220	1920	1320	560	170	240	500	2710	3300	o.r.	
1SB7 504-4KA80-0CA2	7100	950	1220	1920	1320	315	160	240	500	2710	3060	o.r.	
1SB7 504-4KA80-0CC2	7150	950	1220	1920	1320	560	170	240	500	2710	3300	o.r.	
1SB7 504-4KA80-0AA2	6950	950	1220	1920	1320	315	160	240	500	2710	3060	o.r.	
1SB7 504-4KA80-0AC2	7000	950	1220	1920	1320	560	170	240	500	2710	3300	o.r.	
1SB7 507-4KA80-0CA2	7800	950	1220	1920	1500	315	160	240	500	2710	3270	o.r.	

Motor type	Weight		Dimensions									
	kg	A mm	AD mm	AE mm	B mm	C mm	D mm	E mm	H mm	HD mm	L mm	ML mm
Innomotics HV M - 1SB. IC616 10000 V / 50 Hz B3 (IM 1001) - Dimension drawings												
1SB7 507-4KA80-0CC2	7850	950	1220	1920	1500	560	170	240	500	2710	3510	o.r.
1SB7 507-4KA80-0AA2	7600	950	1220	1920	1500	315	160	240	500	2710	3270	o.r.
1SB7 507-4KA80-0AC2	7700	950	1220	1920	1500	560	170	240	500	2710	3510	o.r.
1SB7 508-4KA80-0CA2	8150	950	1220	1920	1500	315	160	240	500	2710	3270	o.r.
1SB7 508-4KA80-0CC2	8200	950	1220	1920	1500	560	170	240	500	2710	3510	o.r.
1SB7 508-4KA80-0AA2	7950	950	1220	1920	1500	315	160	240	500	2710	3270	o.r.
1SB7 508-4KA80-0AC2	8050	950	1220	1920	1500	560	170	240	500	2710	3510	o.r.
1SB7 563-4KA80-0CA2	8450	1060	1290	2060	1400	335	190	280	560	2830	3250	o.r.
1SB7 563-4KA80-0CC2	8500	1060	1290	2060	1400	600	190	280	560	2830	3520	o.r.
1SB7 564-4KA80-0CA2	8900	1060	1290	2060	1400	335	190	280	560	2830	3250	o.r.
1SB7 564-4KA80-0CC2	8950	1060	1290	2060	1400	600	190	280	560	2830	3520	o.r.
1SB7 566-4KA80-0CA2	9700	1060	1290	2060	1600	335	190	280	560	2830	3480	o.r.
1SB7 566-4KA80-0CC2	9750	1060	1290	2060	1600	600	190	280	560	2830	3750	o.r.
1SB7 567-4KA80-0CA2	10200	1060	1290	2060	1600	335	190	280	560	2830	3480	o.r.
1SB7 567-4KA80-0CC2	10250	1060	1290	2060	1600	600	190	280	560	2830	3750	o.r.
1SB7 568-4KA80-0CA2	10600	1060	1290	2060	1600	335	190	280	560	2830	3480	o.r.
1SB7 568-4KA80-0CC2	10650	1060	1290	2060	1600	600	190	280	560	2830	3750	o.r.
1SB8 633-4KA80-0CG0	11500	1320	1520	2520	1600	375	200	280	630	3800	3920	o.r.
1SB8 633-4KA80-0CJ0	11600	1320	1520	2520	1600	630	200	280	630	3800	4170	o.r.
1SB8 634-4KA80-0CG2	12100	1320	1520	2520	1600	375	200	280	630	3800	3920	o.r.
1SB8 634-4KA80-0CJ2	12200	1320	1520	2520	1600	630	200	280	630	3800	4170	o.r.
1SB8 637-4KA80-0CG0	13000	1320	1520	2520	1800	375	200	280	630	3800	4120	o.r.
1SB8 637-4KA80-0CJ0	13100	1320	1520	2520	1800	630	200	280	630	3800	4370	o.r.
1SB8 638-4KA80-0CG0	13600	1320	1520	2520	1800	375	200	280	630	3800	4120	o.r.
1SB8 638-4KA80-0CJ0	13700	1320	1520	2520	1800	630	200	280	630	3800	4370	o.r.
1SB8 712-4KA80-0CG0	15400	1500	1620	2720	2000	375	220	280	710	3090	3920	o.r.
1SB8 712-4KA80-0CJ0	15550	1500	1620	2720	2000	630	220	280	710	3090	4180	o.r.
1SB8 713-4KA80-0CG0	16100	1500	1620	2720	2000	375	220	280	710	3090	3920	o.r.
1SB8 713-4KA80-0CJ0	16250	1500	1620	2720	2000	630	220	280	710	3090	4180	o.r.
1SB8 714-4KA80-0CG0	16850	1500	1620	2720	2000	375	220	280	710	3090	3920	o.r.
1SB8 714-4KA80-0CJ0	17000	1500	1620	2720	2000	630	220	280	710	3090	4180	o.r.
1SB8 717-4KA80-0CG0	18200	1500	1620	2720	2240	375	220	280	710	3090	4160	o.r.
1SB8 717-4KA80-0CJ0	18350	1500	1620	2720	2240	630	220	280	710	3090	4420	o.r.
1SB8 718-4KA80-0CG0	18700	1500	1620	2720	2240	375	220	280	710	3090	4160	o.r.
1SB8 718-4KA80-0CJ0	18850	1500	1620	2720	2240	630	220	280	710	3090	4420	o.r.
6-pole												
1SB7 452-6KA80-0AA2	4550	850	1140	1760	1180	250	130	200	450	2350	2710	o.r.

Motor type	Weight		Dimensions										
	kg	A mm	AD mm	AE mm	B mm	C mm	D mm	E mm	H mm	HD mm	L mm	ML mm	
Innomotics HV M - 1SB. IC616 10000 V / 50 Hz B3 (IM 1001) - Dimension drawings													
1SB7 452-6KA80-0AC2	4550	850	1140	1760	1180	500	130	200	450	2350	2960	o.r.	
1SB7 452-6KA80-0CA2	4700	850	1140	1760	1180	250	130	200	450	2350	2710	o.r.	
1SB7 452-6KA80-0CC2	4700	850	1140	1760	1180	500	130	200	450	2350	2960	o.r.	
1SB7 453-6KA80-0AA0	4650	850	1140	1760	1180	250	130	200	450	2350	2710	o.r.	
1SB7 453-6KA80-0AC0	4700	850	1140	1760	1180	500	130	200	450	2350	2960	o.r.	
1SB7 453-6KA80-0CA0	4850	850	1140	1760	1180	250	130	200	450	2350	2710	o.r.	
1SB7 453-6KA80-0CC0	4850	850	1140	1760	1180	500	130	200	450	2350	2960	o.r.	
1SB7 454-6KA80-0AA2	4850	850	1140	1760	1180	250	130	200	450	2350	2710	o.r.	
1SB7 454-6KA80-0AC2	4900	850	1140	1760	1180	500	130	200	450	2350	2960	o.r.	
1SB7 454-6KA80-0CA2	5000	850	1140	1760	1180	250	130	200	450	2350	2710	o.r.	
1SB7 454-6KA80-0CC2	5050	850	1140	1760	1180	500	130	200	450	2350	2960	o.r.	
1SB7 457-6KA80-0AA2	5350	850	1140	1760	1400	250	130	200	450	2350	2920	o.r.	
1SB7 457-6KA80-0AC2	5350	850	1140	1760	1400	500	130	200	450	2350	3170	o.r.	
1SB7 457-6KA80-0CA2	5500	850	1140	1760	1400	250	130	200	450	2350	2920	o.r.	
1SB7 457-6KA80-0CC2	5550	850	1140	1760	1400	500	130	200	450	2350	3170	o.r.	
1SB7 458-6KA80-0AA2	5600	850	1140	1760	1400	250	130	200	450	2350	2920	o.r.	
1SB7 458-6KA80-0AC2	5650	850	1140	1760	1400	500	130	200	450	2350	3170	o.r.	
1SB7 458-6KA80-0CA2	5800	850	1140	1760	1400	250	130	200	450	2350	2920	o.r.	
1SB7 458-6KA80-0CC2	5850	850	1140	1760	1400	500	130	200	450	2350	3170	o.r.	
1SB7 503-6KA80-0AA2	6750	950	1220	1920	1320	315	160	240	500	2620	3060	o.r.	
1SB7 503-6KA80-0AC2	6800	950	1220	1920	1320	560	170	240	500	2620	3300	o.r.	
1SB7 504-6KA80-0AA2	7000	950	1220	1920	1320	315	160	240	500	2620	3060	o.r.	
1SB7 504-6KA80-0AC2	7050	950	1220	1920	1320	560	170	240	500	2620	3300	o.r.	
1SB7 507-6KA80-0AA2	7750	950	1220	1920	1500	315	160	240	500	2620	3270	o.r.	
1SB7 507-6KA80-0AC2	7800	950	1220	1920	1500	560	170	240	500	2620	3510	o.r.	
1SB7 508-6KA80-0AA2	8000	950	1220	1920	1500	315	160	240	500	2620	3270	o.r.	
1SB7 508-6KA80-0AC2	8050	950	1220	1920	1500	560	170	240	500	2620	3510	o.r.	
1SB7 561-6KA80-0CA2	8450	1060	1290	2060	1400	335	190	280	560	2830	3250	o.r.	
1SB7 561-6KA80-0CC2	8500	1060	1290	2060	1400	600	190	280	560	2830	3520	o.r.	
1SB7 562-6KA80-0CA2	8750	1060	1290	2060	1400	335	190	280	560	2830	3250	o.r.	
1SB7 562-6KA80-0CC2	8800	1060	1290	2060	1400	600	190	280	560	2830	3520	o.r.	
1SB7 563-6KA80-0CA2	9050	1060	1290	2060	1400	335	190	280	560	2830	3250	o.r.	
1SB7 563-6KA80-0CC2	9100	1060	1290	2060	1400	600	190	280	560	2830	3520	o.r.	
1SB7 564-6KA80-0CA2	9450	1060	1290	2060	1400	335	190	280	560	2830	3250	o.r.	
1SB7 564-6KA80-0CC2	9500	1060	1290	2060	1400	600	190	280	560	2830	3520	o.r.	
1SB7 567-6KA80-0CA2	10350	1060	1290	2060	1600	335	190	280	560	2830	3480	o.r.	
1SB7 567-6KA80-0CC2	10400	1060	1290	2060	1600	600	190	280	560	2830	3750	o.r.	

Motor type	Weight	Dimensions										
	kg	A mm	AD mm	AE mm	B mm	C mm	D mm	E mm	H mm	HD mm	L mm	ML mm
Innomotics HV M - 1SB. IC616 10000 V / 50 Hz B3 (IM 1001) - Dimension drawings												
1SB7 568-6KA80-OCA2	10950	1060	1290	2060	1600	335	190	280	560	2830	3480	o.r.
1SB7 568-6KA80-OCC2	11000	1060	1290	2060	1600	600	190	280	560	2830	3750	o.r.
1SB8 632-6KA80-OCG2	11450	1320	1520	2520	1600	375	200	280	630	3700	3920	o.r.
1SB8 632-6KA80-OCJ2	11600	1320	1520	2520	1600	630	200	280	630	3700	4170	o.r.
1SB8 633-6KA80-OCG0	11900	1320	1520	2520	1600	375	200	280	630	3700	3920	o.r.
1SB8 633-6KA80-OCJ0	12000	1320	1520	2520	1600	630	200	280	630	3700	4170	o.r.
1SB8 634-6KA80-OCG2	12450	1320	1520	2520	1600	375	200	280	630	3700	3920	o.r.
1SB8 634-6KA80-OCJ2	12550	1320	1520	2520	1600	630	200	280	630	3700	4170	o.r.
1SB8 637-6KA80-OCG0	13250	1320	1520	2520	1800	375	200	280	630	3700	4120	o.r.
1SB8 637-6KA80-OCJ0	13350	1320	1520	2520	1800	630	200	280	630	3700	4370	o.r.
1SB8 638-6KA80-OCG2	13750	1320	1520	2520	1800	375	200	280	630	3700	4120	o.r.
1SB8 638-6KA80-OCJ2	13900	1320	1520	2520	1800	630	200	280	630	3700	4370	o.r.
1SB8 712-6KA80-OCG0	15400	1500	1620	2720	2000	375	220	280	710	3090	3920	o.r.
1SB8 712-6KA80-OCJ0	15500	1500	1620	2720	2000	630	220	280	710	3090	4180	o.r.
1SB8 713-6KA80-OCG2	16350	1500	1620	2720	2000	375	220	280	710	3090	3920	o.r.
1SB8 713-6KA80-OCJ2	16500	1500	1620	2720	2000	630	220	280	710	3090	4180	o.r.
1SB8 714-6KA80-OCG0	17350	1500	1620	2720	2000	375	220	280	710	3090	3920	o.r.
1SB8 714-6KA80-OCJ0	17500	1500	1620	2720	2000	630	220	280	710	3090	4180	o.r.
1SB8 717-6KA80-OCG0	18900	1500	1620	2720	2240	375	220	280	710	3090	4160	o.r.
1SB8 717-6KA80-OCJ0	19050	1500	1620	2720	2240	630	220	280	710	3090	4420	o.r.
1SB8 718-6KA80-OCG0	19950	1500	1620	2720	2240	375	220	280	710	3090	4160	o.r.
1SB8 718-6KA80-OCJ0	20050	1500	1620	2720	2240	630	220	280	710	3090	4420	o.r.
8-pole												
1SB7 451-8KA80-0AA0	4500	850	1140	1760	1180	250	130	200	450	2350	2710	o.r.
1SB7 451-8KA80-0AC0	4550	850	1140	1760	1180	500	130	200	450	2350	2960	o.r.
1SB7 452-8KA80-0AA0	4650	850	1140	1760	1180	250	130	200	450	2350	2710	o.r.
1SB7 452-8KA80-0AC0	4650	850	1140	1760	1180	500	130	200	450	2350	2960	o.r.
1SB7 453-8KA80-0AA2	4850	850	1140	1760	1180	250	130	200	450	2350	2710	o.r.
1SB7 453-8KA80-0AC2	4900	850	1140	1760	1180	500	130	200	450	2350	2960	o.r.
1SB7 454-8KA80-0AA2	5100	850	1140	1760	1180	250	130	200	450	2350	2710	o.r.
1SB7 454-8KA80-0AC2	5150	850	1140	1760	1180	500	130	200	450	2350	2960	o.r.
1SB7 457-8KA80-0AA2	5600	850	1140	1760	1400	250	130	200	450	2350	2920	o.r.
1SB7 457-8KA80-0AC2	5650	850	1140	1760	1400	500	130	200	450	2350	3170	o.r.
1SB7 458-8KA80-0AA2	5850	850	1140	1760	1400	250	130	200	450	2350	2920	o.r.
1SB7 458-8KA80-0AC2	5900	850	1140	1760	1400	500	130	200	450	2350	3170	o.r.
1SB7 502-8KA80-OCA2	6700	950	1220	1920	1320	315	160	240	500	2620	3060	o.r.
1SB7 502-8KA80-OCC2	6750	950	1220	1920	1320	560	170	240	500	2620	3300	o.r.

Motor type	Weight	Dimensions										
	kg	A mm	AD mm	AE mm	B mm	C mm	D mm	E mm	H mm	HD mm	L mm	ML mm
Innomotics HV M - 1SB. IC616 10000 V / 50 Hz B3 (IM 1001) - Dimension drawings												
1SB7 503-8KA80-0AA2	6750	950	1220	1920	1320	315	160	240	500	2620	3060	o.r.
1SB7 503-8KA80-0AC2	6800	950	1220	1920	1320	560	170	240	500	2620	3300	o.r.
1SB7 503-8KA80-0CA2	7000	950	1220	1920	1320	315	160	240	500	2620	3060	o.r.
1SB7 503-8KA80-0CC2	7050	950	1220	1920	1320	560	170	240	500	2620	3300	o.r.
1SB7 504-8KA80-0AA2	7050	950	1220	1920	1320	315	160	240	500	2620	3060	o.r.
1SB7 504-8KA80-0AC2	7100	950	1220	1920	1320	560	170	240	500	2620	3300	o.r.
1SB7 504-8KA80-0CA2	7250	950	1220	1920	1320	315	160	240	500	2620	3060	o.r.
1SB7 504-8KA80-0CC2	7300	950	1220	1920	1320	560	170	240	500	2620	3300	o.r.
1SB7 507-8KA80-0AA2	7700	950	1220	1920	1500	315	160	240	500	2620	3270	o.r.
1SB7 507-8KA80-0AC2	7800	950	1220	1920	1500	560	170	240	500	2620	3510	o.r.
1SB7 507-8KA80-0CA2	8000	950	1220	1920	1500	315	160	240	500	2620	3270	o.r.
1SB7 507-8KA80-0CC2	8050	950	1220	1920	1500	560	170	240	500	2620	3510	o.r.
1SB7 508-8KA80-0AA2	8050	950	1220	1920	1500	315	160	240	500	2620	3270	o.r.
1SB7 508-8KA80-0AC2	8100	950	1220	1920	1500	560	170	240	500	2620	3510	o.r.
1SB7 508-8KA80-0CA2	8350	950	1220	1920	1500	315	160	240	500	2620	3270	o.r.
1SB7 508-8KA80-0CC2	8400	950	1220	1920	1500	560	170	240	500	2620	3510	o.r.
1SB7 563-8KA80-0CA2	8900	1060	1290	2060	1400	335	190	280	560	2830	3250	o.r.
1SB7 563-8KA80-0CC2	9000	1060	1290	2060	1400	600	190	280	560	2830	3520	o.r.
1SB7 564-8KA80-0CA2	9350	1060	1290	2060	1400	335	190	280	560	2830	3250	o.r.
1SB7 564-8KA80-0CC2	9450	1060	1290	2060	1400	600	190	280	560	2830	3520	o.r.
1SB7 567-8KA80-0CA2	10350	1060	1290	2060	1600	335	190	280	560	2830	3480	o.r.
1SB7 567-8KA80-0CC2	10400	1060	1290	2060	1600	600	190	280	560	2830	3750	o.r.
1SB7 568-8KA80-0CA2	10850	1060	1290	2060	1600	335	190	280	560	2830	3480	o.r.
1SB7 568-8KA80-0CC2	10900	1060	1290	2060	1600	600	190	280	560	2830	3750	o.r.
1SB8 633-8KA80-0CG2	10750	1320	1520	2520	1600	375	200	280	630	3700	3920	o.r.
1SB8 633-8KA80-0CJ2	10850	1320	1520	2520	1600	630	200	280	630	3700	4170	o.r.
1SB8 634-8KA80-0CG0	11600	1320	1520	2520	1600	375	200	280	630	3700	3920	o.r.
1SB8 634-8KA80-0CJ0	11700	1320	1520	2520	1600	630	200	280	630	3700	4170	o.r.
1SB8 637-8KA80-0CG0	12750	1320	1520	2520	1800	375	200	280	630	3700	4120	o.r.
1SB8 637-8KA80-0CJ0	12850	1320	1520	2520	1800	630	200	280	630	3700	4370	o.r.
1SB8 638-8KA80-0CG0	13500	1320	1520	2520	1800	375	200	280	630	3700	4120	o.r.
1SB8 638-8KA80-0CJ0	13600	1320	1520	2520	1800	630	200	280	630	3700	4370	o.r.
1SB8 713-8KA80-0CG0	15600	1500	1620	2720	2000	375	220	280	710	3090	3920	o.r.
1SB8 713-8KA80-0CJ0	15800	1500	1620	2720	2000	630	220	280	710	3090	4180	o.r.
1SB8 714-8KA80-0CG0	16700	1500	1620	2720	2000	375	220	280	710	3090	3920	o.r.
1SB8 714-8KA80-0CJ0	16900	1500	1620	2720	2000	630	220	280	710	3090	4180	o.r.
1SB8 717-8KA80-0CG0	18400	1500	1620	2720	2240	375	220	280	710	3090	4160	o.r.

Motor type	Weight	Dimensions										
	kg	A mm	AD mm	AE mm	B mm	C mm	D mm	E mm	H mm	HD mm	L mm	ML mm
Innomotics HV M - 1SB. IC616 10000 V / 50 Hz B3 (IM 1001) - Dimension drawings												
1SB8 717-8KA80-0CJ0	18550	1500	1620	2720	2240	630	220	280	710	3090	4420	o.r.
1SB8 718-8KA80-0CG0	19400	1500	1620	2720	2240	375	220	280	710	3090	4160	o.r.
1SB8 718-8KA80-0CJ0	19600	1500	1620	2720	2240	630	220	280	710	3090	4420	o.r.

Innomotics HV M - 1SB. IC616 11000 V / 50 Hz B3 (IM 1001)																		
Rated power IEC	Article No.	Speed	Rated current I_R	Efficiency				Power factor				Torque T_R	Breakdown torque T_B/ T_R	Locked torque T_{LR}/ T_R	Locked rotor current I_{LR}/ I_R	Inertia		
				5/4 load	4/4 load	3/4 load	2/4 load	5/4 load	4/4 load	3/4 load	2/4 load					motor	external	Startup max T/TR
kW		rpm	A	%	%	%	%	cos φ	cos φ	cos φ	cos φ	Nm	[-]	[-]	[-]	kgm ²	kgm ²	[-]
2-pole: n_{sync} = 3000 rpm at 50 Hz																		
1150	1SB7 453-2KA90-0A.0	2982	73	95.1	95.5	95.3	94.3	0.86	0.86	0.83	0.74	3683	2.80	0.60	6.5	10	60	o.r.
1150	1SB7 453-2KA90-0C.0	2983	71	95.1	95.5	95.3	94.3	0.89	0.89	0.87	0.82	3681	2.85	0.70	6.5	14	70	o.r.
1250	1SB7 454-2KA90-0A.0	2982	78	95.2	95.7	95.6	94.9	0.88	0.88	0.86	0.81	4003	2.80	0.60	6.5	11	60	o.r.
1250	1SB7 454-2KA90-0C.0	2983	76	95.2	95.6	95.4	94.5	0.90	0.90	0.89	0.84	4002	2.90	0.75	6.5	15	70	o.r.
1440	1SB7 457-2KA90-0A.0	2982	90	95.4	95.8	95.7	94.8	0.88	0.88	0.84	0.77	4611	2.85	0.65	6.5	12	70	o.r.
1450	1SB7 457-2KA90-0C.0	2983	88	95.4	95.8	95.7	94.9	0.90	0.90	0.89	0.84	4642	2.90	0.75	6.5	16	95	o.r.
1540	1SB7 458-2KA90-0A.0	2982	93	95.6	96.1	96.1	95.5	0.90	0.90	0.89	0.85	4932	2.85	0.65	6.5	13	70	o.r.
1600	1SB7 458-2KA90-0C.0	2983	96	95.7	96.1	96.0	95.2	0.90	0.91	0.90	0.85	5122	3.00	0.75	6.5	17	105	o.r.
1750	1SB7 502-2KA90-0C.0	2979	108	95.5	95.8	95.9	95.4	0.88	0.88	0.87	0.82	5610	2.55	0.60	5.0	18	122	o.r.
1950	1SB7 503-2KA90-0C.0	2979	120	95.9	96.2	96.3	95.9	0.89	0.89	0.89	0.85	6251	2.60	0.70	5.1	20	132	o.r.
1800	1SB7 503-2KA90-0A.0	2974	110	95.6	96.0	96.2	96.0	0.89	0.89	0.89	0.85	5780	2.65	0.60	5.3	15	34	o.r.
1900	1SB7 504-2KA90-0A.0	2975	116	95.7	96.1	96.3	96.0	0.89	0.89	0.89	0.85	6099	2.70	0.70	5.3	15	34	o.r.
2300	1SB7 507-2KA90-0C.0	2983	138	96.3	96.5	96.6	96.1	0.90	0.90	0.89	0.84	7363	3.00	0.85	6.1	24	146	o.r.
2150	1SB7 507-2KA90-0A.0	2976	130	96.0	96.4	96.5	96.3	0.90	0.90	0.90	0.86	6899	2.90	0.70	5.9	18	40	o.r.
2450	1SB7 508-2KA90-0C.0	2985	146	96.5	96.7	96.7	96.3	0.91	0.91	0.90	0.84	7838	3.30	0.95	6.8	27	162	o.r.
2350	1SB7 508-2KA90-0A.0	2976	140	96.2	96.6	96.8	96.7	0.91	0.91	0.91	0.88	7541	2.80	0.80	5.8	20	42	o.r.
2880	1SB7 562-2KA90-0CC0	2986	176	96.1	96.2	96.0	95.3	0.89	0.89	0.87	0.82	9210	2.90	0.80	6.5	41	240	o.r.
3070	1SB7 563-2KA90-0CC0	2986	186	96.3	96.3	96.2	95.5	0.89	0.90	0.88	0.84	9818	2.85	0.75	6.5	44	250	o.r.
3490	1SB7 564-2KA90-0CC0	2987	215	96.1	96.2	95.8	94.9	0.89	0.89	0.86	0.79	11157	3.20	0.85	6.5	47	230	o.r.
4000	1SB7 567-2KA90-0CC0	2986	240	96.4	96.4	96.3	95.5	0.90	0.91	0.89	0.84	12792	2.95	0.75	6.5	52	280	o.r.
4250	1SB7 568-2KA90-0CC0	2988	255	96.6	96.5	96.4	95.6	0.91	0.91	0.89	0.83	13583	3.30	0.80	6.8	58	245	o.r.
4400	1SB8 632-2KA90-0CJ0	2982	270	95.9	96.3	95.9	95.0	0.86	0.89	0.89	0.88	14090	2.00	0.55	4.8	75	310	o.r.
4950	1SB8 633-2KA90-0CJ0	2982	305	96.1	96.5	96.2	95.4	0.87	0.89	0.90	0.89	15851	2.05	0.55	4.9	82	300	o.r.
5400	1SB8 634-2KA90-0CJ0	2983	325	96.3	96.7	96.4	95.5	0.88	0.90	0.91	0.90	17287	2.20	0.60	5.2	90	300	o.r.
6000	1SB8 637-2KA90-0CJ0	2984	355	96.5	96.9	96.6	95.8	0.89	0.91	0.91	0.90	19201	2.35	0.65	5.5	99	310	o.r.
6500	1SB8 638-2KA90-0CJ0	2986	380	96.7	97.0	96.7	95.9	0.90	0.92	0.92	0.90	20787	2.55	0.65	6.0	107	320	o.r.
7300	1SB8 712-2KA90-0CJ0	2988	445	96.6	96.6	96.3	95.2	0.87	0.89	0.89	0.87	23330	2.15	0.60	5.1	149	250	o.r.
7650	1SB8 713-2KA90-0CJ0	2989	455	96.7	96.7	96.3	95.3	0.89	0.91	0.90	0.87	24440	2.45	0.70	5.8	160	240	o.r.
8150	1SB8 714-2KA90-0CJ0	2990	485	96.8	96.8	96.4	95.4	0.90	0.91	0.90	0.87	26029	2.55	0.60	6.1	172	260	o.r.
8950	1SB8 716-2KA90-0CJ0	2990	540	97.0	96.9	96.5	95.5	0.89	0.90	0.89	0.85	28584	2.45	0.55	5.9	183	300	o.r.
9600	1SB8 717-2KA90-0CJ0	2989	560	97.1	97.1	96.8	96.0	0.91	0.92	0.92	0.90	30670	2.45	0.60	5.8	200	250	o.r.
10100	1SB8 718-2KA90-0CJ0	2989	590	97.2	97.2	97.0	96.2	0.90	0.92	0.91	0.89	32268	2.35	0.50	5.7	216	310	o.r.
4-pole: n_{sync} = 1500 rpm at 50 Hz																		
1200	1SB7 453-4KA90-0C.0	1488	76	95.0	95.6	95.6	95.1	0.87	0.87	0.83	0.74	7701	2.70	0.60	5.8	23	315	o.r.
1180	1SB7 453-4KA90-0A.0	1485	75	94.8	95.4	95.5	95.1	0.87	0.87	0.83	0.75	7588	2.65	0.75	6.0	17	335	o.r.
1240	1SB7 454-4KA90-0A.0	1486	78	95.0	95.6	95.6	95.1	0.88	0.87	0.82	0.73	7968	2.75	0.85	6.5	19	335	o.r.

Innomotics HV M - 1SB. IC616 11000 V / 50 Hz B3 (IM 1001)																		
Rated power IEC	Article No.	Speed	Rated current I_R	Efficiency				Power factor				Torque T_R	Breakdown torque T_B/ T_R	Locked torque T_{LR}/ T_R	rotor Locked current I_{LR}/ I_R	Inertia		
				5/4 load	4/4 load	3/4 load	2/4 load	5/4 load	4/4 load	3/4 load	2/4 load					motor	external	Startup max T/TR
kW		rpm	A	%	%	%	%	cos φ	cos φ	cos φ	cos φ	Nm	[-]	[-]	[-]	kgm ²	kgm ²	[-]
1290	1SB7 454-4KA90-0C.0	1488	80	95.2	95.7	95.8	95.3	0.88	0.88	0.84	0.77	8279	2.70	0.65	6.0	25	320	o.r.
1520	1SB7 457-4KA90-0C.0	1489	94	95.6	96.1	96.1	95.6	0.89	0.88	0.85	0.77	9748	2.90	0.70	6.5	30	415	o.r.
1400	1SB7 457-4KA90-0A.0	1486	85	95.2	95.8	96.1	95.8	0.90	0.90	0.88	0.83	8997	2.75	0.85	6.5	22	420	o.r.
1670	1SB7 458-4KA90-0C.0	1489	102	95.7	96.2	96.3	95.9	0.89	0.89	0.86	0.79	10710	2.90	0.70	6.5	32	480	o.r.
1540	1SB7 458-4KA90-0A.0	1486	94	95.4	96.0	96.2	96.0	0.90	0.90	0.88	0.83	9896	2.80	0.85	6.5	24	420	o.r.
1870	1SB7 503-4KA90-0A.0	1486	114	95.6	96.1	96.5	96.2	0.89	0.89	0.89	0.85	12017	2.40	0.80	5.3	37	615	o.r.
1900	1SB7 503-4KA90-0C.0	1488	116	95.6	96.2	96.5	96.2	0.88	0.89	0.89	0.86	12193	2.40	0.60	5.0	45	570	o.r.
2100	1SB7 504-4KA90-0C.0	1491	132	96.1	96.4	96.4	95.8	0.88	0.86	0.83	0.75	13450	2.90	0.70	5.9	50	705	o.r.
1950	1SB7 504-4KA90-0A.0	1487	118	95.6	96.2	96.5	96.3	0.89	0.90	0.90	0.87	12523	2.50	0.90	5.5	40	615	o.r.
2260	1SB7 507-4KA90-0A.0	1487	136	96.0	96.5	96.7	96.5	0.90	0.90	0.89	0.85	14513	2.65	0.95	6.0	46	610	o.r.
2300	1SB7 507-4KA90-0C.0	1489	138	96.1	96.6	96.8	96.5	0.90	0.90	0.89	0.86	14750	2.65	0.70	5.5	56	760	o.r.
2500	1SB7 508-4KA90-0C.0	1490	152	96.3	96.6	96.8	96.4	0.89	0.89	0.88	0.83	16022	2.65	0.65	5.6	61	660	o.r.
2350	1SB7 508-4KA90-0A.0	1487	142	96.0	96.5	96.8	96.6	0.90	0.90	0.90	0.87	15091	2.65	0.95	6.0	50	750	o.r.
2850	1SB7 562-4KA90-0C.0	1490	176	96.2	96.6	96.9	96.6	0.87	0.88	0.87	0.83	18265	2.25	0.60	5.4	74	865	o.r.
3000	1SB7 563-4KA90-0C.0	1491	185	96.3	96.7	96.9	96.6	0.88	0.88	0.87	0.83	19214	2.40	0.65	5.8	80	915	o.r.
3350	1SB7 564-4KA90-0C.0	1491	204	96.4	96.8	97.1	96.9	0.88	0.89	0.89	0.86	21455	2.30	0.65	5.5	90	1020	o.r.
3600	1SB7 566-4KA90-0C.0	1492	216	96.6	97.0	97.2	97.0	0.89	0.90	0.89	0.86	23041	2.50	0.75	6.0	100	1125	o.r.
3960	1SB7 567-4KA90-0C.0	1492	238	96.8	97.1	97.3	97.1	0.90	0.90	0.90	0.86	25345	2.55	0.75	6.3	110	1215	o.r.
4260	1SB7 568-4KA90-0C.0	1492	256	96.9	97.2	97.4	97.2	0.90	0.90	0.89	0.85	27265	2.65	0.75	6.5	119	1325	o.r.
5000	1SB8 633-4KA90-0C.0	1492	305	96.5	96.8	96.7	96.1	0.88	0.89	0.88	0.83	32002	2.55	0.55	6.0	151	790	o.r.
5250	1SB8 634-4KA90-0C.0	1493	320	96.6	96.8	96.7	96.1	0.88	0.89	0.87	0.81	33579	2.60	0.55	6.0	165	970	o.r.
5900	1SB8 637-4KA90-0C.0	1493	355	96.8	97.0	97.0	96.4	0.89	0.90	0.88	0.83	37737	2.60	0.55	6.0	181	1000	o.r.
6500	1SB8 638-4KA90-0C.0	1493	400	96.9	97.1	97.0	96.4	0.88	0.88	0.85	0.79	41574	2.60	0.55	6.0	196	1140	o.r.
6900	1SB8 712-4KA90-0C.0	1492	415	96.7	97.1	97.1	96.7	0.89	0.90	0.90	0.87	44162	2.35	0.50	5.6	259	1000	o.r.
7400	1SB8 713-4KA90-0C.0	1492	440	96.9	97.2	97.3	96.8	0.89	0.91	0.90	0.88	47362	2.45	0.50	5.9	284	1110	o.r.
8050	1SB8 714-4KA90-0C.0	1492	475	97.0	97.3	97.4	97.0	0.90	0.91	0.91	0.88	51523	2.55	0.55	6.0	312	1200	o.r.
8700	1SB8 717-4KA90-0C.0	1493	520	97.1	97.4	97.4	97.0	0.90	0.91	0.91	0.88	55646	2.60	0.55	6.0	344	1410	o.r.
9350	1SB8 718-4KA90-0C.0	1493	560	97.2	97.5	97.5	97.0	0.89	0.90	0.89	0.84	59803	2.60	0.50	6.0	360	1540	o.r.
6-pole: $n_{sync} = 1000$ rpm at 50 Hz																		
830	1SB7 452-6KA90-0A.0	990	55	94.1	94.9	95.2	95.0	0.84	0.84	0.80	0.70	8006	2.45	0.80	5.5	20	385	o.r.
860	1SB7 452-6KA90-0C.0	990	56	93.9	94.9	95.2	95.1	0.85	0.85	0.83	0.75	8295	2.35	0.70	5.4	27	465	o.r.
900	1SB7 453-6KA90-0A.0	990	58	94.3	95.1	95.4	95.2	0.85	0.85	0.81	0.72	8681	2.45	0.85	5.5	22	395	o.r.
920	1SB7 453-6KA90-0C.0	991	59	94.3	95.1	95.3	95.2	0.85	0.86	0.82	0.74	8865	2.50	0.80	5.5	30	470	o.r.
980	1SB7 454-6KA90-0A.0	990	63	94.5	95.3	95.6	95.4	0.85	0.86	0.82	0.74	9453	2.45	0.85	5.5	24	450	o.r.
1000	1SB7 454-6KA90-0C.0	991	64	94.5	95.2	95.5	95.4	0.86	0.86	0.83	0.76	9636	2.50	0.80	5.5	33	550	o.r.
1080	1SB7 457-6KA90-0A.0	990	68	94.6	95.4	95.8	95.7	0.86	0.87	0.84	0.77	10417	2.40	0.85	5.5	28	530	o.r.
1100	1SB7 457-6KA90-0C.0	991	70	94.6	95.4	95.7	95.6	0.87	0.87	0.84	0.78	10600	2.50	0.80	5.5	36	645	o.r.

Innomotics HV M - 1SB. IC616 11000 V / 50 Hz B3 (IM 1001)																		
Rated power IEC	Article No.	Speed	Rated current I_R	Efficiency				Power factor				Torque T_R	Breakdown torque T_B/ T_R	Locked rotor torque T_{LR}/ T_R	Locked rotor current I_{LR}/ I_R	Inertia		
				5/4 load	4/4 load	3/4 load	2/4 load	5/4 load	4/4 load	3/4 load	2/4 load					motor	external	Startup max T/TR
kW		rpm	A	%	%	%	%	cos φ	cos φ	cos φ	cos φ	Nm	[-]	[-]	[-]	kgm ²	kgm ²	[-]
1200	1SB7 458-6KA90-0C.0	991	75	94.8	95.6	95.9	95.9	0.87	0.88	0.85	0.79	11563	2.50	0.80	5.5	41	740	o.r.
1180	1SB7 458-6KA90-0A.0	990	74	94.8	95.6	96.0	96.0	0.87	0.87	0.85	0.79	11382	2.35	0.85	5.5	31	615	o.r.
1400	1SB7 502-6KA90-0C.0	993	90	95.5	96.0	96.1	95.8	0.85	0.85	0.80	0.71	13463	2.65	0.85	5.4	54	1130	o.r.
1350	1SB7 502-6KA90-0A.0	991	86	95.0	95.7	96.1	95.9	0.85	0.86	0.84	0.78	13009	2.35	0.90	5.0	42	750	o.r.
1600	1SB7 503-6KA90-0C.0	993	102	95.6	96.2	96.3	96.0	0.85	0.85	0.81	0.72	15387	2.65	0.90	5.4	60	1250	o.r.
1530	1SB7 503-6KA90-0A.0	991	96	95.1	95.8	96.2	96.1	0.85	0.87	0.85	0.79	14743	2.25	0.90	4.9	46	860	o.r.
1630	1SB7 504-6KA90-0A.0	992	104	95.5	96.0	96.3	96.0	0.85	0.85	0.82	0.72	15691	2.65	1.10	5.7	51	980	o.r.
1750	1SB7 504-6KA90-0C.0	993	112	95.8	96.3	96.4	96.1	0.85	0.85	0.81	0.72	16829	2.70	0.85	5.4	66	1400	o.r.
1920	1SB7 507-6KA90-0C.0	994	124	96.0	96.5	96.5	96.2	0.84	0.84	0.79	0.69	18445	2.75	0.85	5.4	74	1600	o.r.
1830	1SB7 507-6KA90-0A.0	992	114	95.6	96.1	96.5	96.3	0.86	0.87	0.85	0.78	17616	2.50	1.00	5.4	58	1150	o.r.
2000	1SB7 508-6KA90-0A.0	992	126	95.8	96.3	96.7	96.5	0.86	0.87	0.84	0.77	19253	2.60	0.95	5.6	63	1350	o.r.
2050	1SB7 508-6KA90-0C.0	994	128	96.0	96.6	96.7	96.5	0.87	0.87	0.84	0.78	19694	2.65	0.85	5.5	81	1800	o.r.
2240	1SB7 561-6KA90-0C.0	993	144	95.7	96.3	96.3	96.0	0.85	0.85	0.83	0.76	21541	2.55	0.70	5.6	96	1090	o.r.
2600	1SB7 562-6KA90-0C.0	993	166	96.0	96.5	96.5	96.2	0.84	0.85	0.83	0.75	25003	2.50	0.65	5.5	105	1450	o.r.
2800	1SB7 564-6KA90-0C.0	993	174	96.1	96.6	96.7	96.5	0.86	0.87	0.85	0.81	26927	2.50	0.65	5.6	123	1550	o.r.
3150	1SB7 567-6KA90-0C.0	994	198	96.3	96.8	96.8	96.5	0.86	0.86	0.84	0.77	30262	2.75	0.70	6.0	134	1790	o.r.
3300	1SB7 568-6KA90-0C.0	995	210	96.5	96.9	96.8	96.4	0.86	0.86	0.83	0.75	31671	3.05	0.80	6.5	150	2090	o.r.
3750	1SB8 632-6KA90-0C.0	993	235	96.1	96.5	96.5	95.8	0.85	0.86	0.82	0.73	36062	2.45	0.60	5.5	193	2610	o.r.
4000	1SB8 633-6KA90-0C.0	994	255	96.2	96.5	96.5	95.9	0.85	0.85	0.81	0.71	38428	2.50	0.60	5.5	208	2890	o.r.
4400	1SB8 634-6KA90-0C.0	994	280	96.4	96.7	96.7	96.1	0.85	0.86	0.82	0.74	42271	2.50	0.60	5.5	227	3060	o.r.
4750	1SB8 637-6KA90-0C.0	994	295	96.4	96.7	96.8	96.2	0.86	0.87	0.83	0.75	45633	2.50	0.60	5.5	245	3230	o.r.
4900	1SB8 638-6KA90-0C.0	994	310	96.5	96.8	96.8	96.2	0.86	0.86	0.82	0.73	47074	2.55	0.60	5.5	263	3890	o.r.
5550	1SB8 712-6KA90-0C.0	994	345	96.7	97.0	97.1	96.6	0.86	0.87	0.84	0.77	53319	2.50	0.55	5.5	331	2970	o.r.
6050	1SB8 713-6KA90-0C.0	994	375	96.8	97.2	97.2	96.8	0.86	0.87	0.85	0.79	58122	2.40	0.55	5.5	373	3500	o.r.
6550	1SB8 714-6KA90-0C.0	995	400	96.9	97.2	97.3	96.9	0.86	0.88	0.86	0.80	62862	2.40	0.55	5.5	422	4160	o.r.
7200	1SB8 717-6KA90-0C.0	995	440	97.0	97.3	97.4	97.0	0.87	0.88	0.86	0.80	69100	2.45	0.50	5.5	475	4860	o.r.
7750	1SB8 718-6KA90-0C.0	995	470	97.1	97.4	97.5	97.2	0.88	0.89	0.87	0.82	74379	2.45	0.55	5.5	522	5280	o.r.
8-pole: n_{sync} = 750 rpm at 50 Hz																		
520	1SB7 451-8KA90-0A.0	743	37	93.2	94.2	94.4	93.8	0.80	0.78	0.70	0.55	6683	2.50	0.80	5.5	23	410	o.r.
540	1SB7 451-8KA90-0C.0	743	38	93.3	94.2	94.5	94.0	0.82	0.80	0.73	0.59	6940	2.70	0.75	5.5	30	490	o.r.
580	1SB7 452-8KA90-0A.0	743	40	93.4	94.4	94.7	94.4	0.81	0.80	0.73	0.59	7454	2.50	0.80	5.5	25	470	o.r.
590	1SB7 452-8KA90-0C.0	743	40	93.5	94.5	94.7	94.4	0.83	0.81	0.75	0.62	7583	2.65	0.75	5.5	32	600	o.r.
660	1SB7 453-8KA90-0A.0	743	46	94.0	94.9	95.1	94.7	0.81	0.79	0.72	0.57	8483	2.55	0.85	5.5	28	750	o.r.
680	1SB7 453-8KA90-0C.0	743	46	94.1	94.9	95.1	94.8	0.82	0.81	0.74	0.61	8740	2.75	0.80	5.5	36	890	o.r.
750	1SB7 454-8KA90-0A.0	744	53	94.3	95.1	95.2	94.7	0.80	0.78	0.68	0.52	9626	2.75	0.95	5.5	31	890	o.r.
760	1SB7 454-8KA90-0C.0	744	52	94.4	95.2	95.3	94.8	0.81	0.80	0.71	0.56	9755	2.95	0.80	5.8	40	1060	o.r.
830	1SB7 457-8KA90-0A.0	744	58	94.5	95.2	95.4	95.0	0.81	0.79	0.71	0.57	10653	2.75	0.95	5.5	35	1020	o.r.

Innomotics HV M - 1SB. IC616 11000 V / 50 Hz B3 (IM 1001)																		
Rated power IEC	Article No.	Speed	Rated current I_R	Efficiency				Power factor				Torque T_R	Breakdown torque T_B/ T_R	Locked torque T_{LR}/ T_R	Locked rotor current I_{LR}/ I_R	Inertia		
				5/4 load	4/4 load	3/4 load	2/4 load	5/4 load	4/4 load	3/4 load	2/4 load					motor	external	Startup max T/TR
kW		rpm	A	%	%	%	%	$\cos \varphi$	$\cos \varphi$	$\cos \varphi$	$\cos \varphi$	Nm	[-]	[-]	[-]	kgm ²	kgm ²	[-]
840	1SB7 457-8KA90-0C.0	744	58	94.6	95.3	95.4	95.0	0.82	0.80	0.73	0.59	10781	2.95	0.80	5.8	45	1220	o.r.
880	1SB7 458-8KA90-0A.0	744	61	94.6	95.4	95.5	95.0	0.81	0.79	0.71	0.56	11295	2.80	0.95	5.7	39	1200	o.r.
900	1SB7 458-8KA90-0C.0	744	62	94.7	95.4	95.5	95.1	0.82	0.80	0.73	0.59	11552	2.95	0.80	5.8	50	1330	o.r.
1000	1SB7 501-8KA90-0A.0	744	70	95.0	95.5	95.7	95.4	0.80	0.79	0.74	0.62	12835	2.40	0.85	4.7	42	1570	o.r.
1000	1SB7 501-8KA90-0C.0	743	67	94.7	95.4	95.8	95.6	0.82	0.82	0.78	0.69	12852	2.30	0.60	4.3	55	1460	o.r.
1100	1SB7 502-8KA90-0A.0	744	78	95.0	95.5	95.9	95.6	0.81	0.78	0.75	0.64	14119	2.50	0.90	4.7	46	1400	o.r.
1100	1SB7 502-8KA90-0C.0	743	74	94.8	95.5	96.0	95.9	0.82	0.82	0.79	0.71	14138	2.35	0.65	4.4	59	1660	o.r.
1250	1SB7 503-8KA90-0A.0	744	85	95.1	95.7	96.1	95.9	0.81	0.81	0.77	0.67	16044	2.30	0.85	4.6	51	1510	o.r.
1370	1SB7 507-8KA90-0A.0	744	92	95.6	96.1	96.3	96.0	0.82	0.81	0.76	0.66	17584	2.55	1.00	5.2	63	2710	o.r.
1400	1SB7 507-8KA90-0C.0	743	91	95.2	95.9	96.4	96.3	0.84	0.84	0.81	0.73	17993	2.30	0.65	4.4	80	2240	o.r.
1550	1SB7 508-8KA90-0A.0	745	106	95.7	96.1	96.3	96.0	0.81	0.80	0.75	0.63	19868	2.65	1.05	5.3	69	2610	o.r.
1600	1SB7 508-8KA90-0C.0	744	106	95.7	96.2	96.4	96.2	0.83	0.83	0.78	0.68	20536	2.65	0.70	5.0	88	3010	o.r.
1800	1SB7 563-8KA90-0C.0	745	120	95.6	96.0	96.3	95.9	0.82	0.82	0.79	0.70	23072	2.35	0.65	5.1	124	2810	o.r.
2000	1SB7 564-8KA90-0C.0	744	134	95.7	96.1	96.5	96.3	0.82	0.82	0.80	0.73	25670	2.20	0.60	4.9	137	3135	o.r.
2240	1SB7 567-8KA90-0C.0	745	150	95.9	96.1	96.6	96.4	0.83	0.82	0.80	0.72	28712	2.30	0.65	5.0	150	4020	o.r.
2500	1SB7 568-8KA90-0C.0	744	166	96.1	96.2	96.8	96.4	0.83	0.82	0.80	0.73	32088	2.30	0.65	5.1	165	5205	o.r.
2950	1SB8 634-8KA90-0C.0	744	188	95.5	96.1	96.1	95.7	0.85	0.86	0.83	0.76	37863	2.15	0.50	4.8	251	3210	o.r.
3350	1SB8 637-8KA90-0C.0	744	210	95.9	96.3	96.3	95.9	0.86	0.87	0.83	0.75	42998	2.30	0.50	5.0	292	4650	o.r.
3550	1SB8 638-8KA90-0C.0	744	220	96.0	96.5	96.5	96.1	0.87	0.87	0.83	0.76	45565	2.35	0.55	5.2	326	5480	o.r.
3800	1SB8 712-8KA90-0C.0	746	240	96.2	96.6	96.5	96.0	0.86	0.86	0.81	0.72	48643	2.55	0.60	5.5	421	3900	o.r.
4150	1SB8 713-8KA90-0C.0	746	260	96.4	96.7	96.6	96.0	0.86	0.86	0.81	0.71	53123	2.55	0.60	5.5	470	4270	o.r.
4650	1SB8 714-8KA90-0C.0	746	290	96.5	96.8	96.7	96.3	0.87	0.87	0.82	0.74	59523	2.55	0.55	5.5	539	4260	o.r.
4950	1SB8 717-8KA90-0C.0	746	305	96.5	96.9	96.9	96.6	0.87	0.88	0.84	0.77	63363	2.45	0.50	5.4	616	4640	o.r.
5300	1SB8 718-8KA90-0C.0	746	330	96.6	97.0	97.0	96.7	0.87	0.87	0.84	0.77	67844	2.35	0.50	5.1	677	4860	o.r.

Motor type	Weight		Dimensions										
	kg	A	AD	AE	B	C	D	E	H	HD	L	ML	
		mm	mm	mm	mm	mm	mm	mm	mm	mm	mm	mm	mm
Innomotics HV M - 1SB. IC616 11000 V / 50 Hz B3 (IM 1001) - Dimension drawings													
2-pole													
1SB7 453-2KA90-0AA0	4650	850	1140	1760	1180	250	95	130	450	2350	2640	o.r.	
1SB7 453-2KA90-0AC0	4550	850	1140	1760	1180	475	95	130	450	2350	2870	o.r.	
1SB7 453-2KA90-0CA0	4750	850	1140	1760	1180	250	95	130	450	2350	2640	o.r.	
1SB7 453-2KA90-0CC0	4650	850	1140	1760	1180	475	95	130	450	2350	2870	o.r.	
1SB7 454-2KA90-0AA0	4750	850	1140	1760	1180	250	95	130	450	2350	2640	o.r.	
1SB7 454-2KA90-0AC0	4650	850	1140	1760	1180	475	95	130	450	2350	2870	o.r.	
1SB7 454-2KA90-0CA0	4850	850	1140	1760	1180	250	95	130	450	2350	2640	o.r.	
1SB7 454-2KA90-0CC0	4750	850	1140	1760	1180	475	95	130	450	2350	2870	o.r.	
1SB7 457-2KA90-0AA0	5200	850	1140	1760	1400	250	95	130	450	2350	2850	o.r.	
1SB7 457-2KA90-0AC0	5100	850	1140	1760	1400	475	95	130	450	2350	3080	o.r.	
1SB7 457-2KA90-0CA0	5300	850	1140	1760	1400	250	95	130	450	2350	2850	o.r.	
1SB7 457-2KA90-0CC0	5250	850	1140	1760	1400	475	95	130	450	2350	3080	o.r.	
1SB7 458-2KA90-0AA0	5350	850	1140	1760	1400	250	95	130	450	2350	2850	o.r.	
1SB7 458-2KA90-0AC0	5250	850	1140	1760	1400	475	95	130	450	2350	3080	o.r.	
1SB7 458-2KA90-0CA0	5550	850	1140	1760	1400	250	95	130	450	2350	2850	o.r.	
1SB7 458-2KA90-0CC0	5450	850	1140	1760	1400	475	95	130	450	2350	3080	o.r.	
1SB7 502-2KA90-0CA0	5900	950	1220	1920	1320	250	110	165	500	2710	2920	o.r.	
1SB7 502-2KA90-0CC0	5800	950	1220	1920	1320	530	120	165	500	2710	3200	o.r.	
1SB7 503-2KA90-0CA0	6550	950	1220	1920	1320	250	110	165	500	2710	2920	o.r.	
1SB7 503-2KA90-0CC0	6500	950	1220	1920	1320	530	120	165	500	2710	3200	o.r.	
1SB7 503-2KA90-0AA0	6400	950	1220	1920	1320	250	110	165	500	2710	2920	o.r.	
1SB7 503-2KA90-0AC0	6350	950	1220	1920	1320	530	120	165	500	2710	3200	o.r.	
1SB7 504-2KA90-0AA0	6500	950	1220	1920	1320	250	110	165	500	2710	2920	o.r.	
1SB7 504-2KA90-0AC0	6450	950	1220	1920	1320	530	120	165	500	2710	3200	o.r.	
1SB7 507-2KA90-0CA0	7350	950	1220	1920	1500	250	110	165	500	2710	3130	o.r.	
1SB7 507-2KA90-0CC0	7300	950	1220	1920	1500	530	120	165	500	2710	3410	o.r.	
1SB7 507-2KA90-0AA0	7150	950	1220	1920	1500	250	110	165	500	2710	3130	o.r.	
1SB7 507-2KA90-0AC0	7100	950	1220	1920	1500	530	120	165	500	2710	3410	o.r.	
1SB7 508-2KA90-0CA0	7700	950	1220	1920	1500	250	110	165	500	2710	3130	o.r.	
1SB7 508-2KA90-0CC0	7650	950	1220	1920	1500	530	120	165	500	2710	3410	o.r.	
1SB7 508-2KA90-0AA0	7550	950	1220	1920	1500	250	110	165	500	2710	3130	o.r.	
1SB7 508-2KA90-0AC0	7450	950	1220	1920	1500	530	120	165	500	2710	3410	o.r.	
1SB7 562-2KA90-0CC0	8100	1060	1290	2060	1400	600	150	200	560	2830	3440	o.r.	
1SB7 563-2KA90-0CC0	8350	1060	1290	2060	1400	600	150	200	560	2830	3440	o.r.	
1SB7 564-2KA90-0CC0	8600	1060	1290	2060	1400	600	150	200	560	2830	3440	o.r.	
1SB7 567-2KA90-0CC0	9450	1060	1290	2060	1600	600	150	200	560	2830	3670	o.r.	

Motor type	Weight		Dimensions										
	kg	A mm	AD mm	AE mm	B mm	C mm	D mm	E mm	H mm	HD mm	L mm	ML mm	
Innomotics HV M - 1SB. IC616 11000 V / 50 Hz B3 (IM 1001) - Dimension drawings													
1SB7 568-2KA90-0CC0	10000	1060	1290	2060	1600	600	150	200	560	2830	3670	o.r.	
1SB8 632-2KA90-0CJ0	10250	1320	1520	2520	1600	560	160	240	630	3800	4060	o.r.	
1SB8 633-2KA90-0CJ0	10800	1320	1520	2520	1600	560	160	240	630	3800	4060	o.r.	
1SB8 634-2KA90-0CJ0	11300	1320	1520	2520	1600	560	160	240	630	3800	4060	o.r.	
1SB8 637-2KA90-0CJ0	12200	1320	1520	2520	1800	560	160	240	630	3800	4260	o.r.	
1SB8 638-2KA90-0CJ0	12750	1320	1520	2520	1800	560	160	240	630	3800	4260	o.r.	
1SB8 712-2KA90-0CJ0	14350	1500	1620	2720	2000	560	180	240	710	3090	4070	o.r.	
1SB8 713-2KA90-0CJ0	14850	1500	1620	2720	2000	560	180	240	710	3090	4070	o.r.	
1SB8 714-2KA90-0CJ0	15500	1500	1620	2720	2000	560	180	240	710	3090	4070	o.r.	
1SB8 716-2KA90-0CJ0	16650	1500	1620	2720	2240	560	180	240	710	3090	4310	o.r.	
1SB8 717-2KA90-0CJ0	17450	1500	1620	2720	2240	560	180	240	710	3090	4310	o.r.	
1SB8 718-2KA90-0CJ0	18400	1500	1620	2720	2240	560	180	240	710	3090	4310	o.r.	
4-pole													
1SB7 453-4KA90-0CA0	4750	850	1140	1760	1180	250	130	200	450	2350	2710	o.r.	
1SB7 453-4KA90-0CC0	4800	850	1140	1760	1180	500	130	200	450	2350	2960	o.r.	
1SB7 453-4KA90-0AA0	4650	850	1140	1760	1180	250	130	200	450	2350	2710	o.r.	
1SB7 453-4KA90-0AC0	4650	850	1140	1760	1180	500	130	200	450	2350	2960	o.r.	
1SB7 454-4KA90-0AA0	4800	850	1140	1760	1180	250	130	200	450	2350	2710	o.r.	
1SB7 454-4KA90-0AC0	4800	850	1140	1760	1180	500	130	200	450	2350	2960	o.r.	
1SB7 454-4KA90-0CA0	4950	850	1140	1760	1180	250	130	200	450	2350	2710	o.r.	
1SB7 454-4KA90-0CC0	4950	850	1140	1760	1180	500	130	200	450	2350	2960	o.r.	
1SB7 457-4KA90-0CA0	5550	850	1140	1760	1400	250	130	200	450	2350	2920	o.r.	
1SB7 457-4KA90-0CC0	5600	850	1140	1760	1400	500	130	200	450	2350	3170	o.r.	
1SB7 457-4KA90-0AA0	5400	850	1140	1760	1400	250	130	200	450	2350	2920	o.r.	
1SB7 457-4KA90-0AC0	5450	850	1140	1760	1400	500	130	200	450	2350	3170	o.r.	
1SB7 458-4KA90-0CA0	5800	850	1140	1760	1400	250	130	200	450	2350	2920	o.r.	
1SB7 458-4KA90-0CC0	5800	850	1140	1760	1400	500	130	200	450	2350	3170	o.r.	
1SB7 458-4KA90-0AA0	5600	850	1140	1760	1400	250	130	200	450	2350	2920	o.r.	
1SB7 458-4KA90-0AC0	5650	850	1140	1760	1400	500	130	200	450	2350	3170	o.r.	
1SB7 503-4KA90-0AA0	6650	950	1220	1920	1320	315	160	240	500	2710	3060	o.r.	
1SB7 503-4KA90-0AC0	6750	950	1220	1920	1320	560	170	240	500	2710	3300	o.r.	
1SB7 503-4KA90-0CA0	6800	950	1220	1920	1320	315	160	240	500	2710	3060	o.r.	
1SB7 503-4KA90-0CC0	6900	950	1220	1920	1320	560	170	240	500	2710	3300	o.r.	
1SB7 504-4KA90-0CA0	7100	950	1220	1920	1320	315	160	240	500	2710	3060	o.r.	
1SB7 504-4KA90-0CC0	7150	950	1220	1920	1320	560	170	240	500	2710	3300	o.r.	
1SB7 504-4KA90-0AA0	6900	950	1220	1920	1320	315	160	240	500	2710	3060	o.r.	
1SB7 504-4KA90-0AC0	7000	950	1220	1920	1320	560	170	240	500	2710	3300	o.r.	

Motor type	Weight		Dimensions									
	kg	A	AD	AE	B	C	D	E	H	HD	L	ML
		mm	mm	mm	mm	mm	mm	mm	mm	mm	mm	mm
Innomotics HV M - 1SB. IC616 11000 V / 50 Hz B3 (IM 1001) - Dimension drawings												
1SB7 507-4KA90-0AA0	7600	950	1220	1920	1500	315	160	240	500	2710	3270	o.r.
1SB7 507-4KA90-0AC0	7700	950	1220	1920	1500	560	170	240	500	2710	3510	o.r.
1SB7 507-4KA90-0CA0	7800	950	1220	1920	1500	315	160	240	500	2710	3270	o.r.
1SB7 507-4KA90-0CC0	7850	950	1220	1920	1500	560	170	240	500	2710	3510	o.r.
1SB7 508-4KA90-0CA0	8100	950	1220	1920	1500	315	160	240	500	2710	3270	o.r.
1SB7 508-4KA90-0CC0	8200	950	1220	1920	1500	560	170	240	500	2710	3510	o.r.
1SB7 508-4KA90-0AA0	7900	950	1220	1920	1500	315	160	240	500	2710	3270	o.r.
1SB7 508-4KA90-0AC0	8000	950	1220	1920	1500	560	170	240	500	2710	3510	o.r.
1SB7 562-4KA90-0CA0	8150	1060	1290	2060	1400	335	190	280	560	2830	3250	o.r.
1SB7 562-4KA90-0CC0	8250	1060	1290	2060	1400	600	190	280	560	2830	3520	o.r.
1SB7 563-4KA90-0CA0	8400	1060	1290	2060	1400	335	190	280	560	2830	3250	o.r.
1SB7 563-4KA90-0CC0	8450	1060	1290	2060	1400	600	190	280	560	2830	3520	o.r.
1SB7 564-4KA90-0CA0	8850	1060	1290	2060	1400	335	190	280	560	2830	3250	o.r.
1SB7 564-4KA90-0CC0	8900	1060	1290	2060	1400	600	190	280	560	2830	3520	o.r.
1SB7 566-4KA90-0CA0	9650	1060	1290	2060	1600	335	190	280	560	2830	3480	o.r.
1SB7 566-4KA90-0CC0	9700	1060	1290	2060	1600	600	190	280	560	2830	3750	o.r.
1SB7 567-4KA90-0CA0	10100	1060	1290	2060	1600	335	190	280	560	2830	3480	o.r.
1SB7 567-4KA90-0CC0	10150	1060	1290	2060	1600	600	190	280	560	2830	3750	o.r.
1SB7 568-4KA90-0CA0	10550	1060	1290	2060	1600	335	190	280	560	2830	3480	o.r.
1SB7 568-4KA90-0CC0	10600	1060	1290	2060	1600	600	190	280	560	2830	3750	o.r.
1SB8 633-4KA90-0CG0	11550	1320	1520	2520	1600	375	200	280	630	3800	3920	o.r.
1SB8 633-4KA90-0CJ0	11650	1320	1520	2520	1600	630	200	280	630	3800	4170	o.r.
1SB8 634-4KA90-0CG0	11950	1320	1520	2520	1600	375	200	280	630	3800	3920	o.r.
1SB8 634-4KA90-0CJ0	12050	1320	1520	2520	1600	630	200	280	630	3800	4170	o.r.
1SB8 637-4KA90-0CG0	12900	1320	1520	2520	1800	375	200	280	630	3800	4120	o.r.
1SB8 637-4KA90-0CJ0	13000	1320	1520	2520	1800	630	200	280	630	3800	4370	o.r.
1SB8 638-4KA90-0CG0	13500	1320	1520	2520	1800	375	200	280	630	3800	4120	o.r.
1SB8 638-4KA90-0CJ0	13600	1320	1520	2520	1800	630	200	280	630	3800	4370	o.r.
1SB8 712-4KA90-0CG0	15350	1500	1620	2720	2000	375	220	280	710	3090	3920	o.r.
1SB8 712-4KA90-0CJ0	15500	1500	1620	2720	2000	630	220	280	710	3090	4180	o.r.
1SB8 713-4KA90-0CG0	16050	1500	1620	2720	2000	375	220	280	710	3090	3920	o.r.
1SB8 713-4KA90-0CJ0	16150	1500	1620	2720	2000	630	220	280	710	3090	4180	o.r.
1SB8 714-4KA90-0CG0	16800	1500	1620	2720	2000	375	220	280	710	3090	3920	o.r.
1SB8 714-4KA90-0CJ0	16950	1500	1620	2720	2000	630	220	280	710	3090	4180	o.r.
1SB8 717-4KA90-0CG0	18050	1500	1620	2720	2240	375	220	280	710	3090	4160	o.r.
1SB8 717-4KA90-0CJ0	18200	1500	1620	2720	2240	630	220	280	710	3090	4420	o.r.
1SB8 718-4KA90-0CG0	18650	1500	1620	2720	2240	375	220	280	710	3090	4160	o.r.

Motor type	Weight	Dimensions										
	kg	A mm	AD mm	AE mm	B mm	C mm	D mm	E mm	H mm	HD mm	L mm	ML mm
Innomotics HV M - 1SB. IC616 11000 V / 50 Hz B3 (IM 1001) - Dimension drawings												
1SB8 718-4KA90-0CJ0	18750	1500	1620	2720	2240	630	220	280	710	3090	4420	o.r.
6-pole												
1SB7 452-6KA90-0AA0	4500	850	1140	1760	1180	250	130	200	450	2350	2710	o.r.
1SB7 452-6KA90-0AC0	4550	850	1140	1760	1180	500	130	200	450	2350	2960	o.r.
1SB7 452-6KA90-0CA0	4650	850	1140	1760	1180	250	130	200	450	2350	2710	o.r.
1SB7 452-6KA90-0CC0	4700	850	1140	1760	1180	500	130	200	450	2350	2960	o.r.
1SB7 453-6KA90-0AA0	4650	850	1140	1760	1180	250	130	200	450	2350	2710	o.r.
1SB7 453-6KA90-0AC0	4700	850	1140	1760	1180	500	130	200	450	2350	2960	o.r.
1SB7 453-6KA90-0CA0	4800	850	1140	1760	1180	250	130	200	450	2350	2710	o.r.
1SB7 453-6KA90-0CC0	4850	850	1140	1760	1180	500	130	200	450	2350	2960	o.r.
1SB7 454-6KA90-0AA0	4800	850	1140	1760	1180	250	130	200	450	2350	2710	o.r.
1SB7 454-6KA90-0AC0	4850	850	1140	1760	1180	500	130	200	450	2350	2960	o.r.
1SB7 454-6KA90-0CA0	5000	850	1140	1760	1180	250	130	200	450	2350	2710	o.r.
1SB7 454-6KA90-0CC0	5000	850	1140	1760	1180	500	130	200	450	2350	2960	o.r.
1SB7 457-6KA90-0AA0	5300	850	1140	1760	1400	250	130	200	450	2350	2920	o.r.
1SB7 457-6KA90-0AC0	5350	850	1140	1760	1400	500	130	200	450	2350	3170	o.r.
1SB7 457-6KA90-0CA0	5500	850	1140	1760	1400	250	130	200	450	2350	2920	o.r.
1SB7 457-6KA90-0CC0	5500	850	1140	1760	1400	500	130	200	450	2350	3170	o.r.
1SB7 458-6KA90-0CA0	5800	850	1140	1760	1400	250	130	200	450	2350	2920	o.r.
1SB7 458-6KA90-0CC0	5800	850	1140	1760	1400	500	130	200	450	2350	3170	o.r.
1SB7 458-6KA90-0AA0	5600	850	1140	1760	1400	250	130	200	450	2350	2920	o.r.
1SB7 458-6KA90-0AC0	5600	850	1140	1760	1400	500	130	200	450	2350	3170	o.r.
1SB7 502-6KA90-0CA0	6700	950	1220	1920	1320	315	160	240	500	2620	3060	o.r.
1SB7 502-6KA90-0CC0	6750	950	1220	1920	1320	560	170	240	500	2620	3300	o.r.
1SB7 502-6KA90-0AA0	6500	950	1220	1920	1320	315	160	240	500	2620	3060	o.r.
1SB7 502-6KA90-0AC0	6550	950	1220	1920	1320	560	170	240	500	2620	3300	o.r.
1SB7 503-6KA90-0CA0	6950	950	1220	1920	1320	315	160	240	500	2620	3060	o.r.
1SB7 503-6KA90-0CC0	7000	950	1220	1920	1320	560	170	240	500	2620	3300	o.r.
1SB7 503-6KA90-0AA0	6750	950	1220	1920	1320	315	160	240	500	2620	3060	o.r.
1SB7 503-6KA90-0AC0	6800	950	1220	1920	1320	560	170	240	500	2620	3300	o.r.
1SB7 504-6KA90-0AA0	6950	950	1220	1920	1320	315	160	240	500	2620	3060	o.r.
1SB7 504-6KA90-0AC0	7000	950	1220	1920	1320	560	170	240	500	2620	3300	o.r.
1SB7 504-6KA90-0CA0	7200	950	1220	1920	1320	315	160	240	500	2620	3060	o.r.
1SB7 504-6KA90-0CC0	7300	950	1220	1920	1320	560	170	240	500	2620	3300	o.r.
1SB7 507-6KA90-0CA0	7950	950	1220	1920	1500	315	160	240	500	2620	3270	o.r.
1SB7 507-6KA90-0CC0	8000	950	1220	1920	1500	560	170	240	500	2620	3510	o.r.
1SB7 507-6KA90-0AA0	7700	950	1220	1920	1500	315	160	240	500	2620	3270	o.r.

Motor type	Weight	Dimensions										
	kg	A mm	AD mm	AE mm	B mm	C mm	D mm	E mm	H mm	HD mm	L mm	ML mm
Innomotics HV M - 1SB. IC616 11000 V / 50 Hz B3 (IM 1001) - Dimension drawings												
1SB7 507-6KA90-0AC0	7750	950	1220	1920	1500	560	170	240	500	2620	3510	o.r.
1SB7 508-6KA90-0AA0	8000	950	1220	1920	1500	315	160	240	500	2620	3270	o.r.
1SB7 508-6KA90-0AC0	8100	950	1220	1920	1500	560	170	240	500	2620	3510	o.r.
1SB7 508-6KA90-0CA0	8300	950	1220	1920	1500	315	160	240	500	2620	3270	o.r.
1SB7 508-6KA90-0CC0	8350	950	1220	1920	1500	560	170	240	500	2620	3510	o.r.
1SB7 561-6KA90-0CA0	8350	1060	1290	2060	1400	335	190	280	560	2830	3250	o.r.
1SB7 561-6KA90-0CC0	8450	1060	1290	2060	1400	600	190	280	560	2830	3520	o.r.
1SB7 562-6KA90-0CA0	8750	1060	1290	2060	1400	335	190	280	560	2830	3250	o.r.
1SB7 562-6KA90-0CC0	8800	1060	1290	2060	1400	600	190	280	560	2830	3520	o.r.
1SB7 564-6KA90-0CA0	9400	1060	1290	2060	1400	335	190	280	560	2830	3250	o.r.
1SB7 564-6KA90-0CC0	9450	1060	1290	2060	1400	600	190	280	560	2830	3520	o.r.
1SB7 567-6KA90-0CA0	10250	1060	1290	2060	1600	335	190	280	560	2830	3480	o.r.
1SB7 567-6KA90-0CC0	10300	1060	1290	2060	1600	600	190	280	560	2830	3750	o.r.
1SB7 568-6KA90-0CA0	10850	1060	1290	2060	1600	335	190	280	560	2830	3480	o.r.
1SB7 568-6KA90-0CC0	10900	1060	1290	2060	1600	600	190	280	560	2830	3750	o.r.
1SB8 632-6KA90-0CG0	11400	1320	1520	2520	1600	375	200	280	630	3700	3920	o.r.
1SB8 632-6KA90-0CJ0	11500	1320	1520	2520	1600	630	200	280	630	3700	4170	o.r.
1SB8 633-6KA90-0CG0	11800	1320	1520	2520	1600	375	200	280	630	3700	3920	o.r.
1SB8 633-6KA90-0CJ0	11900	1320	1520	2520	1600	630	200	280	630	3700	4170	o.r.
1SB8 634-6KA90-0CG0	12350	1320	1520	2520	1600	375	200	280	630	3700	3920	o.r.
1SB8 634-6KA90-0CJ0	12450	1320	1520	2520	1600	630	200	280	630	3700	4170	o.r.
1SB8 637-6KA90-0CG0	13150	1320	1520	2520	1800	375	200	280	630	3700	4120	o.r.
1SB8 637-6KA90-0CJ0	13250	1320	1520	2520	1800	630	200	280	630	3700	4370	o.r.
1SB8 638-6KA90-0CG0	13650	1320	1520	2520	1800	375	200	280	630	3700	4120	o.r.
1SB8 638-6KA90-0CJ0	13800	1320	1520	2520	1800	630	200	280	630	3700	4370	o.r.
1SB8 712-6KA90-0CG0	15300	1500	1620	2720	2000	375	220	280	710	3090	3920	o.r.
1SB8 712-6KA90-0CJ0	15450	1500	1620	2720	2000	630	220	280	710	3090	4180	o.r.
1SB8 713-6KA90-0CG0	16250	1500	1620	2720	2000	375	220	280	710	3090	3920	o.r.
1SB8 713-6KA90-0CJ0	16400	1500	1620	2720	2000	630	220	280	710	3090	4180	o.r.
1SB8 714-6KA90-0CG0	17250	1500	1620	2720	2000	375	220	280	710	3090	3920	o.r.
1SB8 714-6KA90-0CJ0	17350	1500	1620	2720	2000	630	220	280	710	3090	4180	o.r.
1SB8 717-6KA90-0CG0	18750	1500	1620	2720	2240	375	220	280	710	3090	4160	o.r.
1SB8 717-6KA90-0CJ0	18900	1500	1620	2720	2240	630	220	280	710	3090	4420	o.r.
1SB8 718-6KA90-0CG0	19800	1500	1620	2720	2240	375	220	280	710	3090	4160	o.r.
1SB8 718-6KA90-0CJ0	19950	1500	1620	2720	2240	630	220	280	710	3090	4420	o.r.
8-pole												
1SB7 451-8KA90-0AA0	4450	850	1140	1760	1180	250	130	200	450	2350	2710	o.r.

Motor type	Weight		Dimensions									
	kg	A	AD	AE	B	C	D	E	H	HD	L	ML
		mm	mm	mm	mm	mm	mm	mm	mm	mm	mm	mm
Innomotics HV M - 1SB. IC616 11000 V / 50 Hz B3 (IM 1001) - Dimension drawings												
1SB7 451-8KA90-0AC0	4500	850	1140	1760	1180	500	130	200	450	2350	2960	o.r.
1SB7 451-8KA90-0CA0	4600	850	1140	1760	1180	250	130	200	450	2350	2710	o.r.
1SB7 451-8KA90-0CC0	4650	850	1140	1760	1180	500	130	200	450	2350	2960	o.r.
1SB7 452-8KA90-0AA0	4600	850	1140	1760	1180	250	130	200	450	2350	2710	o.r.
1SB7 452-8KA90-0AC0	4650	850	1140	1760	1180	500	130	200	450	2350	2960	o.r.
1SB7 452-8KA90-0CA0	4750	850	1140	1760	1180	250	130	200	450	2350	2710	o.r.
1SB7 452-8KA90-0CC0	4800	850	1140	1760	1180	500	130	200	450	2350	2960	o.r.
1SB7 453-8KA90-0AA0	4850	850	1140	1760	1180	250	130	200	450	2350	2710	o.r.
1SB7 453-8KA90-0AC0	4850	850	1140	1760	1180	500	130	200	450	2350	2960	o.r.
1SB7 453-8KA90-0CA0	5000	850	1140	1760	1180	250	130	200	450	2350	2710	o.r.
1SB7 453-8KA90-0CC0	5000	850	1140	1760	1180	500	130	200	450	2350	2960	o.r.
1SB7 454-8KA90-0AA0	5050	850	1140	1760	1180	250	130	200	450	2350	2710	o.r.
1SB7 454-8KA90-0AC0	5100	850	1140	1760	1180	500	130	200	450	2350	2960	o.r.
1SB7 454-8KA90-0CA0	5200	850	1140	1760	1180	250	130	200	450	2350	2710	o.r.
1SB7 454-8KA90-0CC0	5250	850	1140	1760	1180	500	130	200	450	2350	2960	o.r.
1SB7 457-8KA90-0AA0	5600	850	1140	1760	1400	250	130	200	450	2350	2920	o.r.
1SB7 457-8KA90-0AC0	5600	850	1140	1760	1400	500	130	200	450	2350	3170	o.r.
1SB7 457-8KA90-0CA0	5750	850	1140	1760	1400	250	130	200	450	2350	2920	o.r.
1SB7 457-8KA90-0CC0	5800	850	1140	1760	1400	500	130	200	450	2350	3170	o.r.
1SB7 458-8KA90-0AA0	5850	850	1140	1760	1400	250	130	200	450	2350	2920	o.r.
1SB7 458-8KA90-0AC0	5850	850	1140	1760	1400	500	130	200	450	2350	3170	o.r.
1SB7 458-8KA90-0CA0	6000	850	1140	1760	1400	250	130	200	450	2350	2920	o.r.
1SB7 458-8KA90-0CC0	6050	850	1140	1760	1400	500	130	200	450	2350	3170	o.r.
1SB7 501-8KA90-0AA0	5750	950	1220	1920	1320	315	160	240	500	2620	3060	o.r.
1SB7 501-8KA90-0AC0	5750	950	1220	1920	1320	560	170	240	500	2620	3300	o.r.
1SB7 501-8KA90-0CA0	5900	950	1220	1920	1320	315	160	240	500	2620	3060	o.r.
1SB7 501-8KA90-0CC0	5950	950	1220	1920	1320	560	170	240	500	2620	3300	o.r.
1SB7 502-8KA90-0AA0	6500	950	1220	1920	1320	315	160	240	500	2620	3060	o.r.
1SB7 502-8KA90-0AC0	6550	950	1220	1920	1320	560	170	240	500	2620	3300	o.r.
1SB7 502-8KA90-0CA0	6700	950	1220	1920	1320	315	160	240	500	2620	3060	o.r.
1SB7 502-8KA90-0CC0	6750	950	1220	1920	1320	560	170	240	500	2620	3300	o.r.
1SB7 503-8KA90-0AA0	6750	950	1220	1920	1320	315	160	240	500	2620	3060	o.r.
1SB7 503-8KA90-0AC0	6800	950	1220	1920	1320	560	170	240	500	2620	3300	o.r.
1SB7 507-8KA90-0AA0	7700	950	1220	1920	1500	315	160	240	500	2620	3270	o.r.
1SB7 507-8KA90-0AC0	7750	950	1220	1920	1500	560	170	240	500	2620	3510	o.r.
1SB7 507-8KA90-0CA0	7950	950	1220	1920	1500	315	160	240	500	2620	3270	o.r.
1SB7 507-8KA90-0CC0	8000	950	1220	1920	1500	560	170	240	500	2620	3510	o.r.

Motor type	Weight		Dimensions										
	kg	A	AD	AE	B	C	D	E	H	HD	L	ML	
		mm	mm	mm	mm	mm	mm	mm	mm	mm	mm	mm	mm
Innomotics HV M - 1SB. IC616 11000 V / 50 Hz B3 (IM 1001) - Dimension drawings													
1SB7 508-8KA90-0AA0	8000	950	1220	1920	1500	315	160	240	500	2620	3270	o.r.	
1SB7 508-8KA90-0AC0	8100	950	1220	1920	1500	560	170	240	500	2620	3510	o.r.	
1SB7 508-8KA90-0CA0	8300	950	1220	1920	1500	315	160	240	500	2620	3270	o.r.	
1SB7 508-8KA90-0CC0	8350	950	1220	1920	1500	560	170	240	500	2620	3510	o.r.	
1SB7 563-8KA90-0CA0	8900	1060	1290	2060	1400	335	190	280	560	2830	3250	o.r.	
1SB7 563-8KA90-0CC0	8950	1060	1290	2060	1400	600	190	280	560	2830	3520	o.r.	
1SB7 564-8KA90-0CA0	9300	1060	1290	2060	1400	335	190	280	560	2830	3250	o.r.	
1SB7 564-8KA90-0CC0	9400	1060	1290	2060	1400	600	190	280	560	2830	3520	o.r.	
1SB7 567-8KA90-0CA0	10250	1060	1290	2060	1600	335	190	280	560	2830	3480	o.r.	
1SB7 567-8KA90-0CC0	10350	1060	1290	2060	1600	600	190	280	560	2830	3750	o.r.	
1SB7 568-8KA90-0CA0	10750	1060	1290	2060	1600	335	190	280	560	2830	3480	o.r.	
1SB7 568-8KA90-0CC0	10850	1060	1290	2060	1600	600	190	280	560	2830	3750	o.r.	
1SB8 634-8KA90-0CG0	11500	1320	1520	2520	1600	375	200	280	630	3700	3920	o.r.	
1SB8 634-8KA90-0CJ0	11600	1320	1520	2520	1600	630	200	280	630	3700	4170	o.r.	
1SB8 637-8KA90-0CG0	12700	1320	1520	2520	1800	375	200	280	630	3700	4120	o.r.	
1SB8 637-8KA90-0CJ0	12800	1320	1520	2520	1800	630	200	280	630	3700	4370	o.r.	
1SB8 638-8KA90-0CG0	13400	1320	1520	2520	1800	375	200	280	630	3700	4120	o.r.	
1SB8 638-8KA90-0CJ0	13500	1320	1520	2520	1800	630	200	280	630	3700	4370	o.r.	
1SB8 712-8KA90-0CG0	14750	1500	1620	2720	2000	375	220	280	710	3090	3920	o.r.	
1SB8 712-8KA90-0CJ0	14950	1500	1620	2720	2000	630	220	280	710	3090	4180	o.r.	
1SB8 713-8KA90-0CG0	15550	1500	1620	2720	2000	375	220	280	710	3090	3920	o.r.	
1SB8 713-8KA90-0CJ0	15750	1500	1620	2720	2000	630	220	280	710	3090	4180	o.r.	
1SB8 714-8KA90-0CG0	16650	1500	1620	2720	2000	375	220	280	710	3090	3920	o.r.	
1SB8 714-8KA90-0CJ0	16850	1500	1620	2720	2000	630	220	280	710	3090	4180	o.r.	
1SB8 717-8KA90-0CG0	18250	1500	1620	2720	2240	375	220	280	710	3090	4160	o.r.	
1SB8 717-8KA90-0CJ0	18450	1500	1620	2720	2240	630	220	280	710	3090	4420	o.r.	
1SB8 718-8KA90-0CG0	19300	1500	1620	2720	2240	375	220	280	710	3090	4160	o.r.	
1SB8 718-8KA90-0CJ0	19500	1500	1620	2720	2240	630	220	280	710	3090	4420	o.r.	

Innomotics HV M - 1SB. IC616 13800 V / 60 Hz B3 (IM 1001)																			
Rated power IEC	Article No.	Speed	Rated current I_R	Efficiency				Power factor				Torque T_R	Breakdown torque T_B/ T_R	Locked rotor torque T_{LR}/ T_R	Locked rotor current I_{LR}/ I_R	Inertia			
				5/4 load	4/4 load	3/4 load	2/4 load	5/4 load	4/4 load	3/4 load	2/4 load					motor	external	Startup max T/TR	
kW		rpm	A	%	%	%	%	cos φ	cos φ	cos φ	cos φ	Nm	[-]	[-]	[-]	kgm ²	kgm ²	[-]	
2-pole: $n_{sync} = 3600$ rpm at 60 Hz																			
4800	1SB8 633-2KA20-0CJ0	3587	235	95.7	95.8	94.9	93.1	0.89	0.90	0.90	0.87	12779	2.50	0.65	6.0	82	220	o.r.	
5900	1SB8 637-2KA20-0CJ0	3588	280	96.2	96.2	95.5	93.9	0.90	0.91	0.91	0.88	15703	2.60	0.60	6.0	98	240	o.r.	
7400	1SB8 714-2KA20-0CJ0	3589	355	96.1	95.9	95.2	93.5	0.90	0.91	0.91	0.89	19689	2.40	0.60	6.0	172	170	o.r.	
8500	1SB8 717-2KA20-0CJ0	3589	405	96.3	96.2	95.5	93.9	0.90	0.91	0.91	0.90	22616	2.50	0.55	6.0	200	180	o.r.	
4-pole: $n_{sync} = 1800$ rpm at 60 Hz																			
4950	1SB8 633-4KA20-0C.0	1792	240	96.2	96.3	96.0	94.9	0.89	0.90	0.88	0.84	26378	2.55	0.55	6.0	150	600	o.r.	
5700	1SB8 637-4KA20-0C.0	1792	270	96.4	96.6	96.4	95.4	0.89	0.91	0.90	0.88	30374	2.50	0.60	6.0	182	730	o.r.	
7250	1SB8 713-4KA20-0C.0	1793	345	96.6	96.8	96.6	95.7	0.89	0.91	0.90	0.87	38613	2.60	0.45	6.0	282	680	o.r.	
8800	1SB8 717-4KA20-0C.0	1793	415	96.9	97.0	96.9	96.2	0.90	0.91	0.91	0.88	46868	2.60	0.45	6.0	344	970	o.r.	
6-pole: $n_{sync} = 1200$ rpm at 60 Hz																			
4000	1SB8 633-6KA20-0C.0	1193	198	95.9	96.2	96.1	95.3	0.86	0.88	0.85	0.79	32018	2.40	0.55	5.5	209	1060	o.r.	
4850	1SB8 637-6KA20-0C.0	1193	240	96.3	96.5	96.4	95.6	0.86	0.88	0.85	0.79	38822	2.40	0.55	5.5	246	1560	o.r.	
6800	1SB8 714-6KA20-0C.0	1195	335	96.8	97.0	97.0	96.4	0.87	0.88	0.86	0.81	54339	2.40	0.50	5.5	421	1830	o.r.	
7500	1SB8 717-6KA20-0C.0	1195	365	96.9	97.2	97.1	96.5	0.87	0.88	0.87	0.82	59933	2.40	0.50	5.5	475	2090	o.r.	

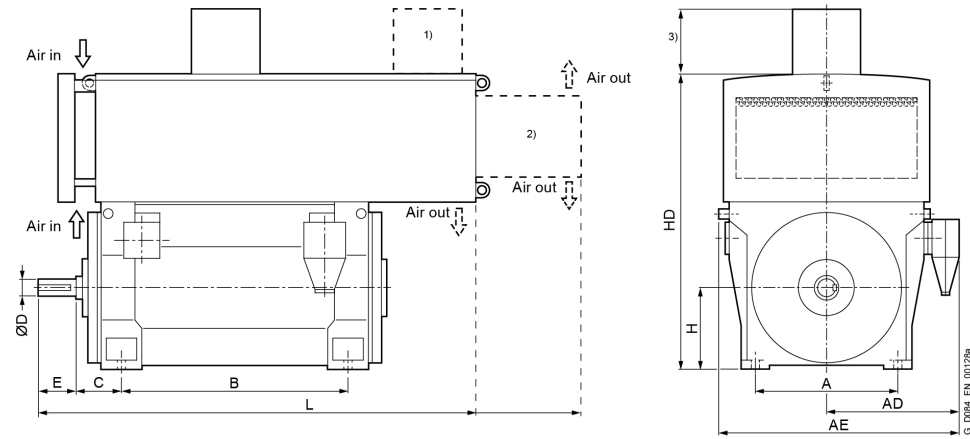
Motor type	Weight	Dimensions										
	kg	A mm	AD mm	AE mm	B mm	C mm	D mm	E mm	H mm	HD mm	L mm	ML mm
Innomotics HV M - 1SB. IC616 13800 V / 60 Hz B3 (IM 1001) - Dimension drawings												
2-pole												
1SB8 633-2KA20-0CJ0	10650	1320	1647	2647	1600	560	160	240	630	3840	4060	o.r.
1SB8 637-2KA20-0CJ0	12050	1320	1647	2647	1800	560	160	240	630	3840	4260	o.r.
1SB8 714-2KA20-0CJ0	15300	1500	1747	2847	2000	560	180	240	710	3090	4070	o.r.
1SB8 717-2KA20-0CJ0	17150	1500	1747	2847	2240	560	180	240	710	3090	4310	o.r.
4-pole												
1SB8 633-4KA20-0CG0	11400	1320	1647	2647	1600	375	200	280	630	3840	3920	o.r.
1SB8 633-4KA20-0CJ0	11500	1320	1647	2647	1600	630	200	280	630	3840	4170	o.r.
1SB8 637-4KA20-0CG0	12800	1320	1647	2647	1800	375	200	280	630	3840	4120	o.r.
1SB8 637-4KA20-0CJ0	12900	1320	1647	2647	1800	630	200	280	630	3840	4370	o.r.
1SB8 713-4KA20-0CG0	15750	1500	1747	2847	2000	375	220	280	710	3090	3920	o.r.
1SB8 713-4KA20-0CJ0	15900	1500	1747	2847	2000	630	220	280	710	3090	4180	o.r.
1SB8 717-4KA20-0CG0	17900	1500	1747	2847	2240	375	220	280	710	3090	4160	o.r.
1SB8 717-4KA20-0CJ0	18050	1500	1747	2847	2240	630	220	280	710	3090	4420	o.r.
6-pole												
1SB8 633-6KA20-0CG0	11650	1320	1647	2647	1600	375	200	280	630	3760	3920	o.r.
1SB8 633-6KA20-0CJ0	11800	1320	1647	2647	1600	630	200	280	630	3760	4170	o.r.
1SB8 637-6KA20-0CG0	13000	1320	1647	2647	1800	375	200	280	630	3760	4120	o.r.
1SB8 637-6KA20-0CJ0	13100	1320	1647	2647	1800	630	200	280	630	3760	4370	o.r.
1SB8 714-6KA20-0CG0	17050	1500	1747	2847	2000	375	220	280	710	3090	3920	o.r.
1SB8 714-6KA20-0CJ0	17150	1500	1747	2847	2000	630	220	280	710	3090	4180	o.r.
1SB8 717-6KA20-0CG0	18550	1500	1747	2847	2240	375	220	280	710	3090	4160	o.r.
1SB8 717-6KA20-0CJ0	18700	1500	1747	2847	2240	630	220	280	710	3090	4420	o.r.

Innomotics HV M - 1SB. IC666 6000 V / 50 Hz B3 (IM 1001)																		
Rated power IEC	Article No.	Speed	Rated current I_R	Efficiency				Power factor				Torque T_R	Breakdown torque T_B/ T_R	Locked rotor torque T_{LR}/ T_R	Locked rotor current I_{LR}/ I_R	Inertia		
				5/4 load	4/4 load	3/4 load	2/4 load	5/4 load	4/4 load	3/4 load	2/4 load					motor	external	Startup max T/TR
kW		rpm	A	%	%	%	%	cos φ	cos φ	cos φ	cos φ	Nm	[-]	[-]	[-]	kgm ²	kgm ²	[-]
2-pole: n_{sync} = 3000 rpm at 50 Hz																		
1410	1SB7 453-2MA60-0A.2	2978	158	95.5	95.9	96.1	95.5	0.88	0.89	0.88	0.84	4525	2.40	0.55	5.5	10	55	o.r.
1440	1SB7 453-2MA60-0C.2	2976	162	95.4	96.0	96.2	95.8	0.87	0.89	0.89	0.86	4625	2.15	0.55	4.7	14	135	o.r.
1600	1SB7 454-2MA60-0A.2	2978	180	95.6	96.0	96.1	95.5	0.88	0.89	0.88	0.83	5133	2.40	0.55	5.5	11	55	o.r.
1600	1SB7 454-2MA60-0C.2	2978	178	95.6	96.1	96.1	95.5	0.88	0.90	0.89	0.85	5131	2.45	0.60	5.4	15	135	o.r.
1800	1SB7 457-2MA60-0A.2	2976	200	95.6	96.1	96.4	96.1	0.88	0.90	0.90	0.87	5778	2.40	0.55	5.5	12	55	o.r.
1800	1SB7 457-2MA60-0C.2	2978	200	95.7	96.2	96.3	95.9	0.90	0.90	0.90	0.87	5774	2.50	0.65	5.5	16	135	o.r.
2000	1SB7 458-2MA60-0A.2	2976	220	95.9	96.3	96.5	96.1	0.89	0.90	0.90	0.86	6419	2.50	0.60	5.6	13	60	o.r.
2000	1SB7 458-2MA60-0C.2	2978	220	95.9	96.4	96.6	96.1	0.89	0.90	0.90	0.87	6416	2.50	0.65	5.5	18	140	o.r.
2120	1SB7 503-2MA60-0A.2	2970	240	95.7	96.2	96.4	96.2	0.88	0.89	0.88	0.84	6817	2.50	0.65	4.9	15	44	o.r.
2200	1SB7 503-2MA60-0C.2	2975	245	95.9	96.4	96.6	96.3	0.88	0.89	0.89	0.86	7065	2.35	0.65	4.6	20	120	o.r.
2160	1SB7 504-2MA60-0A.2	2971	240	95.9	96.3	96.5	96.2	0.89	0.90	0.88	0.84	6941	2.65	0.60	5.2	15	52	o.r.
2260	1SB7 504-2MA60-0C.2	2975	250	96.0	96.4	96.6	96.4	0.89	0.90	0.90	0.85	7255	2.50	0.65	4.8	21	124	o.r.
2510	1SB7 507-2MA60-0A.2	2973	280	96.2	96.6	96.8	96.5	0.90	0.90	0.89	0.84	8061	2.75	0.75	5.6	18	58	o.r.
2630	1SB7 507-2MA60-0C.2	2977	290	96.3	96.7	96.9	96.6	0.90	0.91	0.90	0.86	8437	2.60	0.75	5.1	24	128	o.r.
2700	1SB7 508-2MA60-0A.2	2975	295	96.4	96.8	96.9	96.7	0.91	0.91	0.90	0.85	8664	2.95	0.85	6.1	20	72	o.r.
2840	1SB7 508-2MA60-0C.2	2979	305	96.5	96.9	97.0	96.8	0.91	0.92	0.91	0.87	9105	2.75	0.85	5.6	27	144	o.r.
3200	1SB7 562-2MA60-0CC2	2984	350	96.3	96.4	96.3	95.6	0.91	0.91	0.90	0.86	10247	2.55	0.70	5.8	41	260	o.r.
3550	1SB7 563-2MA60-0CC2	2984	390	96.5	96.6	96.5	95.8	0.90	0.91	0.90	0.86	11367	2.55	0.65	5.7	44	270	o.r.
4000	1SB7 564-2MA60-0CC2	2983	440	96.4	96.5	96.3	95.6	0.91	0.91	0.91	0.87	12814	2.45	0.65	5.5	47	275	o.r.
4500	1SB7 567-2MA60-0CC2	2984	485	96.6	96.7	96.5	95.8	0.92	0.92	0.91	0.87	14407	2.60	0.65	5.9	52	275	o.r.
5000	1SB7 568-2MA60-0CC2	2986	540	96.9	96.8	96.7	95.9	0.92	0.92	0.90	0.86	15993	2.85	0.65	5.9	58	295	o.r.
5600	1SB8 633-2MA60-0CJ0	2983	630	96.4	96.7	96.4	95.5	0.87	0.89	0.90	0.88	17927	2.20	0.60	5.2	82	250	o.r.
6100	1SB8 634-2MA60-0CJ0	2983	670	96.5	96.9	96.6	95.8	0.88	0.90	0.90	0.89	19528	2.20	0.60	5.2	90	250	o.r.
6750	1SB8 637-2MA60-0CJ0	2984	740	96.8	97.1	96.8	96.0	0.89	0.91	0.91	0.90	21601	2.35	0.65	5.5	99	260	o.r.
7300	1SB8 638-2MA60-0CJ0	2985	790	96.9	97.2	96.9	96.1	0.90	0.91	0.91	0.89	23353	2.50	0.65	5.9	107	270	o.r.
7950	1SB8 712-2MA60-0CJ0	2986	890	96.6	96.7	96.5	95.6	0.86	0.89	0.89	0.88	25424	2.00	0.55	4.7	149	190	o.r.
8550	1SB8 713-2MA60-0CJ0	2987	940	96.7	96.9	96.6	95.7	0.87	0.90	0.90	0.88	27334	2.15	0.60	5.1	160	149	o.r.
8800	1SB8 714-2MA60-0CJ0	2988	970	96.8	96.9	96.6	95.7	0.88	0.90	0.90	0.88	28124	2.25	0.45	5.2	172	240	o.r.
9100	1SB8 716-2MA60-0CJ0	2985	990	96.8	97.0	96.8	96.1	0.88	0.91	0.92	0.92	29112	2.05	0.55	4.8	186	210	o.r.
10100	1SB8 717-2MA60-0CJ0	2986	1100	97.0	97.2	97.0	96.4	0.88	0.91	0.92	0.91	32300	2.05	0.55	4.9	201	220	o.r.
11000	1SB8 718-2MA60-0CJ0	2988	1180	97.3	97.4	97.1	96.4	0.90	0.92	0.91	0.90	35155	2.25	0.50	5.4	217	250	o.r.
4-pole: n_{sync} = 1500 rpm at 50 Hz																		
1320	1SB7 453-4MA60-0A.2	1483	150	95.0	95.7	95.8	95.6	0.87	0.88	0.86	0.80	8504	2.50	0.70	5.7	17	275	o.r.
1400	1SB7 453-4MA60-0C.2	1486	160	95.2	95.8	96.0	95.8	0.87	0.88	0.87	0.82	9008	2.25	0.50	5.0	23	500	o.r.
1430	1SB7 454-4MA60-0A.0	1484	166	95.1	95.7	95.9	95.6	0.87	0.87	0.83	0.74	9206	2.70	0.85	5.9	19	325	o.r.
1600	1SB7 454-4MA60-0C.2	1486	182	95.4	96.0	96.2	95.9	0.87	0.88	0.86	0.80	10288	2.35	0.50	5.0	26	535	o.r.

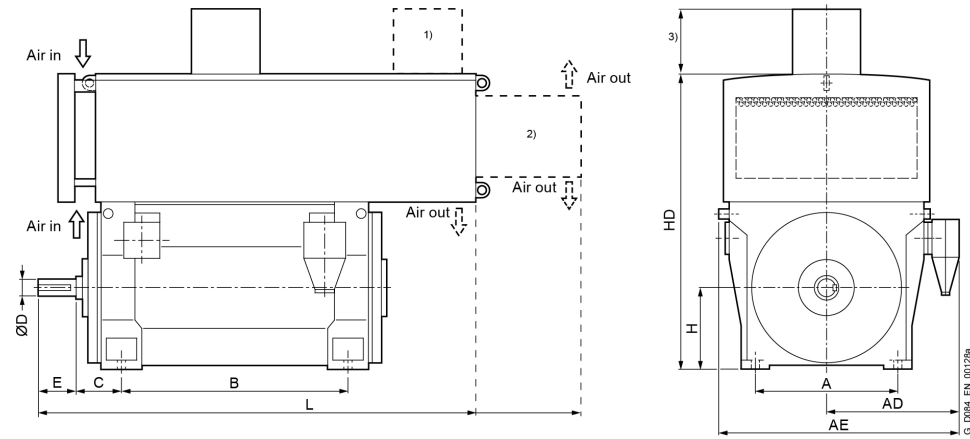
Innomotics HV M - 1SB. IC666 6000 V / 50 Hz B3 (IM 1001)																		
Rated power IEC	Article No.	Speed	Rated current I_R	Efficiency				Power factor				Torque T_R	Breakdown torque T_B/ T_R	Locked rotor torque T_{LR}/ T_R	Locked rotor current I_{LR}/ I_R	Inertia		
				5/4 load	4/4 load	3/4 load	2/4 load	5/4 load	4/4 load	3/4 load	2/4 load					motor	external	Startup max T/TR
kW		rpm	A	%	%	%	%	cos φ	cos φ	cos φ	cos φ	Nm	[-]	[-]	[-]	kgm ²	kgm ²	[-]
1800	1SB7 457-4MA60-0C.2	1488	205	95.9	96.3	96.4	96.1	0.88	0.88	0.86	0.79	11554	2.65	0.60	6.0	30	690	o.r.
1660	1SB7 457-4MA60-0A.2	1484	184	95.5	96.1	96.3	96.1	0.89	0.90	0.88	0.83	10686	2.65	0.80	5.8	22	375	o.r.
2000	1SB7 458-4MA60-0C.2	1489	225	96.0	96.4	96.5	96.2	0.88	0.88	0.86	0.78	12833	2.75	0.60	6.0	33	730	o.r.
1800	1SB7 458-4MA60-0A.2	1485	200	95.7	96.2	96.4	96.2	0.89	0.90	0.88	0.83	11581	2.75	0.85	6.0	24	410	o.r.
2170	1SB7 503-4MA60-0C.2	1488	245	96.0	96.4	96.6	96.2	0.89	0.89	0.87	0.82	13931	2.55	0.65	5.2	45	690	o.r.
2100	1SB7 503-4MA60-0A.2	1485	235	95.7	96.3	96.6	96.3	0.88	0.90	0.89	0.85	13517	2.30	0.80	5.1	37	560	o.r.
2370	1SB7 504-4MA60-0C.2	1489	260	96.2	96.6	96.7	96.3	0.89	0.90	0.87	0.82	15207	2.60	0.70	5.5	50	735	o.r.
2240	1SB7 504-4MA60-0A.2	1485	250	95.8	96.4	96.7	96.4	0.89	0.90	0.89	0.86	14412	2.40	0.90	5.4	40	605	o.r.
2650	1SB7 507-4MA60-0C.2	1490	295	96.4	96.7	96.9	96.4	0.89	0.90	0.87	0.82	16997	2.60	0.70	5.5	56	825	o.r.
2470	1SB7 507-4MA60-0A.2	1485	270	96.0	96.5	96.8	96.6	0.89	0.91	0.90	0.87	15890	2.50	0.95	5.6	46	675	o.r.
2880	1SB7 508-4MA60-0C.2	1491	320	96.5	96.8	96.9	96.5	0.89	0.89	0.87	0.81	18460	2.90	0.75	6.0	62	865	o.r.
2700	1SB7 508-4MA60-0A.2	1488	300	96.2	96.7	97.0	96.8	0.89	0.90	0.90	0.87	17368	2.45	0.90	5.6	50	795	o.r.
3150	1SB7 563-4MA60-0C.2	1491	355	96.6	96.9	97.1	96.8	0.88	0.88	0.87	0.83	20188	2.35	0.65	5.6	80	680	o.r.
3600	1SB7 564-4MA60-0C.2	1490	401	96.6	97.0	97.2	97.0	0.88	0.89	0.89	0.86	23090	2.20	0.60	5.2	90	780	o.r.
4100	1SB7 566-4MA60-0C.2	1490	451	96.7	97.1	97.3	97.2	0.88	0.90	0.90	0.87	26297	2.20	0.70	5.3	100	780	o.r.
4650	1SB7 567-4MA60-0C.2	1491	517	97.0	97.2	97.4	97.2	0.88	0.89	0.88	0.84	29796	2.40	0.65	5.7	109	860	o.r.
5000	1SB7 568-4MA60-0C.2	1492	556	97.1	97.3	97.5	97.1	0.89	0.89	0.87	0.81	32005	2.70	0.80	6.5	119	830	o.r.
5500	1SB8 633-4MA60-0C.0	1491	610	96.6	97.0	96.9	96.4	0.88	0.89	0.88	0.84	35225	2.40	0.60	5.7	151	660	o.r.
5850	1SB8 634-4MA60-0C.0	1491	640	96.7	97.0	97.0	96.5	0.88	0.90	0.89	0.85	37467	2.40	0.60	5.8	166	760	o.r.
6550	1SB8 637-4MA60-0C.0	1492	720	96.9	97.2	97.1	96.6	0.89	0.90	0.88	0.84	41922	2.50	0.60	6.0	181	820	o.r.
7250	1SB8 638-4MA60-0C.0	1492	810	97.0	97.3	97.2	96.7	0.88	0.89	0.87	0.81	46402	2.55	0.60	6.0	197	910	o.r.
7950	1SB8 712-4MA60-0C.0	1492	880	97.0	97.3	97.3	96.8	0.88	0.89	0.88	0.84	50883	2.35	0.50	5.5	258	830	o.r.
8450	1SB8 713-4MA60-0C.0	1492	940	97.2	97.4	97.4	96.9	0.89	0.89	0.88	0.84	54083	2.50	0.50	5.8	282	930	o.r.
9150	1SB8 714-4MA60-0C.0	1493	1000	97.3	97.5	97.5	97.1	0.89	0.90	0.89	0.85	58524	2.60	0.55	6.0	310	1040	o.r.
10100	1SB8 717-4MA60-0C.0	1493	1100	97.4	97.6	97.6	97.2	0.89	0.90	0.89	0.85	64600	2.60	0.55	6.0	344	1140	o.r.
10350	1SB8 718-4MA60-0C.0	1492	1120	97.3	97.6	97.7	97.3	0.90	0.91	0.91	0.89	66243	2.55	0.55	6.0	365	1170	o.r.
6-pole: n_{sync} = 1000 rpm at 50 Hz																		
1080	1SB7 453-6MA60-0A.2	989	128	94.7	95.5	95.8	95.6	0.85	0.85	0.82	0.74	10435	2.20	0.80	5.1	22	845	o.r.
1100	1SB7 453-6MA60-0C.0	989	130	94.6	95.4	95.8	95.7	0.85	0.86	0.84	0.77	10628	2.25	0.65	5.0	30	1030	o.r.
1230	1SB7 454-6MA60-0C.2	989	146	94.9	95.6	95.9	95.8	0.85	0.85	0.83	0.75	11883	2.30	0.65	5.0	33	1300	o.r.
1120	1SB7 454-6MA60-0A.2	990	132	94.8	95.6	95.9	95.8	0.85	0.86	0.83	0.75	10816	2.40	0.85	5.5	24	875	o.r.
1320	1SB7 457-6MA60-0A.0	990	156	95.0	95.7	96.0	95.9	0.85	0.85	0.82	0.74	12747	2.40	0.80	5.3	28	1130	o.r.
1350	1SB7 457-6MA60-0C.0	989	158	95.0	95.7	96.0	96.0	0.85	0.86	0.84	0.77	13034	2.35	0.65	5.1	36	1365	o.r.
1420	1SB7 458-6MA60-0A.2	991	166	95.3	95.9	96.2	96.0	0.86	0.86	0.82	0.73	13697	2.55	0.90	5.8	31	1250	o.r.
1450	1SB7 458-6MA60-0C.2	990	168	95.3	96.0	96.2	96.1	0.86	0.87	0.84	0.77	13990	2.50	0.70	5.3	41	1470	o.r.
1880	1SB7 503-6MA60-0C.2	992	210	95.8	96.3	96.5	96.3	0.84	0.86	0.82	0.74	18109	2.35	0.75	4.7	60	1740	o.r.
1860	1SB7 503-6MA60-0A.2	990	210	95.4	96.1	96.5	96.5	0.84	0.86	0.84	0.78	17956	2.15	0.85	4.6	46	1560	o.r.

Innomotics HV M - 1SB. IC666 6000 V / 50 Hz B3 (IM 1001)																		
Rated power IEC	Article No.	Speed	Rated current I_R	Efficiency				Power factor				Torque T_R	Breakdown torque T_B/ T_R	Locked rotor torque T_{LR}/ T_R	Locked rotor current I_{LR}/ I_R	Inertia		
				5/4 load	4/4 load	3/4 load	2/4 load	5/4 load	4/4 load	3/4 load	2/4 load					motor	external	Startup max T/TR
kW		rpm	A	%	%	%	%	cos φ	cos φ	cos φ	cos φ	Nm	[-]	[-]	[-]	kgm ²	kgm ²	[-]
1960	1SB7 504-6MA60-0A.2	990	230	95.7	96.3	96.6	96.5	0.85	0.86	0.84	0.77	18901	2.35	0.90	5.0	51	1890	o.r.
2000	1SB7 504-6MA60-0C.2	992	230	95.9	96.4	96.7	96.5	0.85	0.86	0.84	0.77	19263	2.40	0.85	4.9	66	2070	o.r.
2280	1SB7 507-6MA60-0C.2	992	260	96.1	96.6	96.8	96.7	0.85	0.86	0.84	0.77	21960	2.35	0.75	4.8	74	2440	o.r.
2000	1SB7 507-6MA60-0A.2	990	230	95.6	96.2	96.7	96.7	0.86	0.86	0.87	0.82	19302	2.15	0.90	4.7	58	1800	o.r.
2310	1SB7 508-6MA60-0C.2	992	265	96.1	96.7	96.9	96.8	0.86	0.86	0.86	0.80	22248	2.30	0.80	4.7	80	2270	o.r.
2260	1SB7 508-6MA60-0A.2	990	255	95.9	96.4	96.9	96.8	0.86	0.86	0.86	0.82	21803	2.25	0.90	4.9	63	2240	o.r.
2500	1SB7 561-6MA60-0C.2	992	290	95.8	96.3	96.6	96.5	0.85	0.86	0.85	0.81	24089	1.90	0.60	5.5	97	2025	o.r.
2700	1SB7 562-6MA60-0C.2	992	315	96.0	96.4	96.7	96.7	0.85	0.86	0.85	0.82	26010	2.00	0.60	5.5	105	2245	o.r.
2900	1SB7 563-6MA60-0C.2	992	335	96.0	96.6	96.7	96.5	0.85	0.86	0.85	0.81	27928	2.00	0.60	5.5	113	2540	o.r.
3250	1SB7 564-6MA60-0C.2	992	375	96.1	96.6	96.8	96.6	0.85	0.86	0.86	0.81	31299	2.00	0.60	5.5	124	2485	o.r.
3450	1SB7 567-6MA60-0C.2	993	400	96.3	96.7	96.9	96.7	0.86	0.86	0.86	0.81	33189	2.00	0.60	5.5	137	2885	o.r.
3800	1SB7 568-6MA60-0C.2	993	440	96.6	96.9	97.0	96.8	0.86	0.86	0.85	0.80	36543	2.00	0.60	6.0	151	3430	o.r.
4200	1SB8 632-6MA60-0C.0	992	485	96.2	96.6	96.7	96.2	0.85	0.86	0.83	0.76	40430	2.25	0.55	5.1	193	2140	o.r.
4400	1SB8 633-6MA60-0C.0	992	500	96.2	96.7	96.8	96.4	0.85	0.87	0.85	0.80	42356	2.20	0.60	5.1	209	2370	o.r.
4850	1SB8 634-6MA60-0C.0	993	560	96.5	96.8	96.9	96.3	0.85	0.86	0.82	0.74	46641	2.40	0.60	5.4	227	2640	o.r.
5150	1SB8 637-6MA60-0C.0	993	590	96.6	96.9	96.9	96.4	0.86	0.87	0.83	0.76	49526	2.50	0.60	5.5	247	2930	o.r.
5400	1SB8 638-6MA60-0C.0	993	620	96.7	97.0	97.0	96.5	0.86	0.87	0.83	0.75	51930	2.50	0.60	5.5	264	3300	o.r.
6150	1SB8 712-6MA60-0C.0	993	700	96.8	97.2	97.3	96.9	0.85	0.87	0.85	0.79	59142	2.25	0.55	5.3	331	2520	o.r.
6700	1SB8 713-6MA60-0C.0	994	760	96.9	97.3	97.4	97.0	0.86	0.87	0.86	0.80	64366	2.30	0.55	5.4	373	2990	o.r.
7350	1SB8 714-6MA60-0C.0	995	840	97.1	97.4	97.4	96.9	0.85	0.86	0.83	0.74	70540	2.40	0.50	5.5	420	3730	o.r.
8150	1SB8 717-6MA60-0C.0	995	940	97.2	97.5	97.5	97.0	0.85	0.86	0.83	0.75	78218	2.45	0.50	5.5	474	4310	o.r.
8650	1SB8 718-6MA60-0C.0	995	960	97.2	97.6	97.7	97.4	0.88	0.89	0.87	0.83	83016	2.45	0.60	5.5	524	4370	o.r.
8-pole: $n_{sync} = 750$ rpm at 50 Hz																		
740	1SB7 452-8MA60-0A.0	739	93	93.8	94.9	95.4	95.3	0.79	0.81	0.78	0.70	9562	1.80	0.60	4.2	25	1710	o.r.
840	1SB7 453-8MA60-0A.0	739	104	94.0	95.1	95.5	95.5	0.80	0.81	0.78	0.70	10852	1.80	0.55	4.1	28	2070	o.r.
910	1SB7 454-8MA60-0A.2	740	114	94.4	95.3	95.6	95.4	0.81	0.81	0.77	0.68	11739	2.00	0.65	4.5	31	2310	o.r.
1010	1SB7 457-8MA60-0A.2	741	128	94.8	95.5	95.6	95.3	0.81	0.80	0.75	0.63	13015	2.20	0.70	4.8	35	2700	o.r.
1120	1SB7 458-8MA60-0A.2	741	140	94.7	95.5	95.7	95.5	0.81	0.81	0.76	0.65	14441	2.10	0.70	4.8	39	2750	o.r.
1250	1SB7 502-8MA60-0A.2	743	154	95.3	95.9	96.2	96.1	0.81	0.81	0.78	0.70	16082	2.15	0.85	4.3	46	2580	o.r.
1400	1SB7 503-8MA60-0A.2	742	172	95.3	96.0	96.4	96.4	0.82	0.82	0.79	0.73	18011	2.05	0.80	4.2	51	2660	o.r.
1400	1SB7 503-8MA60-0C.2	742	170	95.3	96.0	96.4	96.4	0.82	0.83	0.80	0.74	18021	2.10	0.55	4.0	65	3440	o.r.
1500	1SB7 504-8MA60-0A.2	743	180	95.5	96.1	96.5	96.5	0.81	0.83	0.81	0.74	19295	2.10	0.80	4.3	56	2900	o.r.
1520	1SB7 504-8MA60-0C.2	742	184	95.4	96.1	96.5	96.6	0.81	0.83	0.82	0.74	19567	2.10	0.55	4.0	72	4010	o.r.
1600	1SB7 507-8MA60-0A.2	744	194	95.8	96.3	96.5	96.3	0.83	0.82	0.79	0.69	20560	2.35	0.95	4.8	63	3560	o.r.
1600	1SB7 507-8MA60-0C.2	743	192	95.8	96.3	96.5	96.4	0.83	0.83	0.79	0.71	20564	2.40	0.70	4.6	80	4900	o.r.
1800	1SB7 508-8MA60-0A.2	743	215	95.8	96.4	96.7	96.7	0.83	0.83	0.81	0.74	23162	2.15	0.85	4.4	69	3520	o.r.
1800	1SB7 508-8MA60-0C.2	743	215	95.8	96.4	96.7	96.8	0.83	0.84	0.81	0.74	23164	2.25	0.60	4.3	88	5270	o.r.

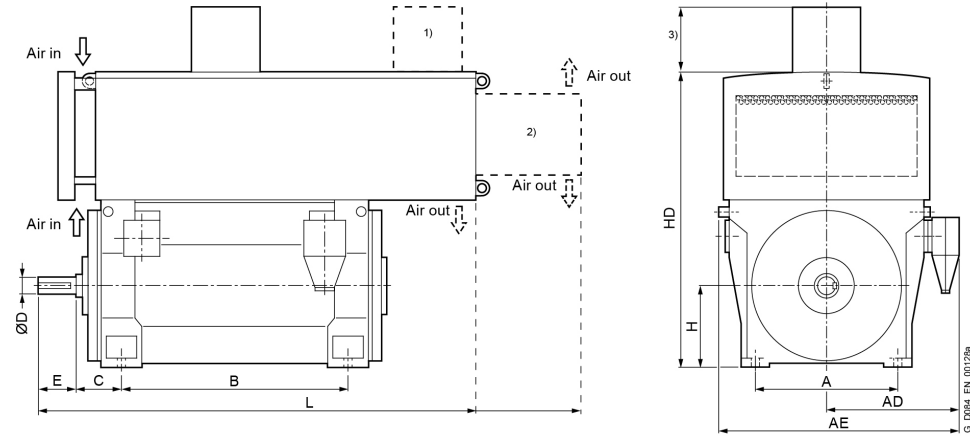
Innomotics HV M - 1SB. IC666 6000 V / 50 Hz B3 (IM 1001)																		
Rated power IEC	Article No.	Speed	Rated current I_R	Efficiency				Power factor				Torque T_R	Breakdown torque T_B/ T_R	Locked rotor torque T_{LR}/ T_R	Locked rotor current I_{LR}/ I_R	Inertia		
				5/4 load	4/4 load	3/4 load	2/4 load	5/4 load	4/4 load	3/4 load	2/4 load					motor	external	Startup max T/TR
kW		rpm	A	%	%	%	%	$\cos \varphi$	$\cos \varphi$	$\cos \varphi$	$\cos \varphi$	Nm	[-]	[-]	[-]	kgm ²	kgm ²	[-]
2050	1SB7 563-8MA60-0C.2	744	245	95.8	96.3	96.6	96.4	0.83	0.83	0.80	0.73	26327	2.25	0.65	4.9	124	3105	o.r.
2240	1SB7 564-8MA60-0C.2	744	270	96.0	96.5	96.7	96.4	0.83	0.83	0.80	0.72	28750	2.35	0.65	5.2	137	3690	o.r.
2500	1SB7 567-8MA60-0C.2	744	295	96.1	96.6	96.9	96.6	0.83	0.84	0.81	0.74	32106	2.25	0.60	5.0	150	4895	o.r.
2800	1SB7 568-8MA60-0C.2	745	335	96.4	96.8	96.9	96.6	0.83	0.83	0.79	0.71	35921	2.45	0.70	5.4	165	6355	o.r.
2900	1SB8 633-8MA60-0C.0	743	340	95.5	96.1	96.2	95.9	0.84	0.85	0.82	0.74	37272	2.05	0.45	4.4	216	3890	o.r.
3550	1SB8 634-8MA60-0C.0	744	415	95.6	96.2	96.2	95.9	0.85	0.86	0.82	0.74	45565	2.20	0.50	4.8	251	3530	o.r.
3850	1SB8 637-8MA60-0C.0	744	450	96.1	96.4	96.4	95.9	0.85	0.85	0.80	0.70	49415	2.25	0.50	4.8	291	6660	o.r.
4100	1SB8 638-8MA60-0C.0	744	480	96.2	96.6	96.5	96.0	0.85	0.85	0.81	0.72	52624	2.25	0.50	4.9	324	7800	o.r.
4300	1SB8 712-8MA60-0C.0	745	455	96.3	96.7	96.8	96.4	0.87	0.87	0.84	0.77	55117	2.35	0.60	5.0	422	6050	o.r.
4600	1SB8 713-8MA60-0C.0	745	510	96.4	96.8	96.8	96.3	0.87	0.87	0.83	0.74	58962	2.50	0.55	5.3	472	5800	o.r.
5200	1SB8 714-8MA60-0C.0	745	570	96.6	96.9	96.9	96.5	0.87	0.87	0.83	0.75	66653	2.45	0.55	5.3	540	6300	o.r.
5800	1SB8 717-8MA60-0C.0	745	630	96.7	97.1	97.1	96.8	0.87	0.88	0.85	0.78	74344	2.40	0.60	5.2	618	8230	o.r.
6150	1SB8 718-8MA60-0C.0	745	690	96.8	97.1	97.2	96.9	0.88	0.88	0.85	0.79	78830	2.45	0.65	5.4	682	8470	o.r.



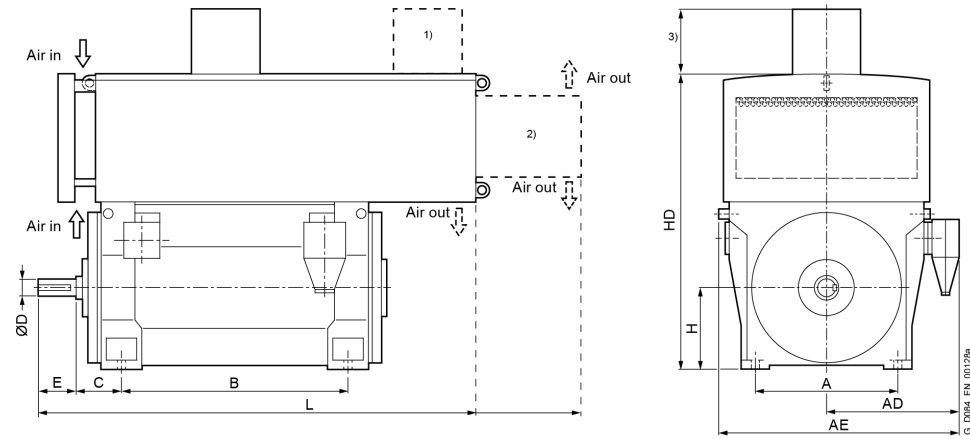
Motor type	Weight	Dimensions										
		A	AD	AE	B	C	D	E	H	HD	L	ML
	kg	mm	mm	mm	mm	mm	mm	mm	mm	mm	mm	mm
Innomotics HV M - 1SB. IC666 6000 V / 50 Hz B3 (IM 1001) - Dimension drawings												
2-pole												
1SB7 453-2MA60-0AA2	5050	850	925	1545	1180	250	95	130	450	3160	2640	o.r.
1SB7 453-2MA60-0AC2	4950	850	925	1545	1180	475	95	130	450	3160	2870	o.r.
1SB7 453-2MA60-0CA2	5200	850	925	1545	1180	250	95	130	450	3160	2640	o.r.
1SB7 453-2MA60-0CC2	5150	850	925	1545	1180	475	95	130	450	3160	2870	o.r.
1SB7 454-2MA60-0AA2	5200	850	925	1545	1180	250	95	130	450	3160	2640	o.r.
1SB7 454-2MA60-0AC2	5100	850	925	1545	1180	475	95	130	450	3160	2870	o.r.
1SB7 454-2MA60-0CA2	5350	850	925	1545	1180	250	95	130	450	3160	2640	o.r.
1SB7 454-2MA60-0CC2	5250	850	925	1545	1180	475	95	130	450	3160	2870	o.r.
1SB7 457-2MA60-0AA2	5500	850	925	1545	1400	250	95	130	450	3160	2850	o.r.
1SB7 457-2MA60-0AC2	5400	850	925	1545	1400	475	95	130	450	3160	3080	o.r.
1SB7 457-2MA60-0CA2	5650	850	925	1545	1400	250	95	130	450	3160	2850	o.r.
1SB7 457-2MA60-0CC2	5550	850	925	1545	1400	475	95	130	450	3160	3080	o.r.
1SB7 458-2MA60-0AA2	5750	850	925	1545	1400	250	95	130	450	3160	2850	o.r.
1SB7 458-2MA60-0AC2	5650	850	925	1545	1400	475	95	130	450	3160	3080	o.r.
1SB7 458-2MA60-0CA2	5900	850	925	1545	1400	250	95	130	450	3160	2850	o.r.
1SB7 458-2MA60-0CC2	5800	850	925	1545	1400	475	95	130	450	3160	3080	o.r.
1SB7 503-2MA60-0AA2	6900	950	1005	1705	1320	250	110	165	500	3370	2920	o.r.
1SB7 503-2MA60-0AC2	6850	950	1005	1705	1320	530	120	165	500	3370	3200	o.r.
1SB7 503-2MA60-0CA2	7050	950	1005	1705	1320	250	110	165	500	3370	2920	o.r.
1SB7 503-2MA60-0CC2	7000	950	1005	1705	1320	530	120	165	500	3370	3200	o.r.
1SB7 504-2MA60-0AA2	6950	950	1005	1705	1320	250	110	165	500	3370	2920	o.r.
1SB7 504-2MA60-0AC2	6900	950	1005	1705	1320	530	120	165	500	3370	3200	o.r.



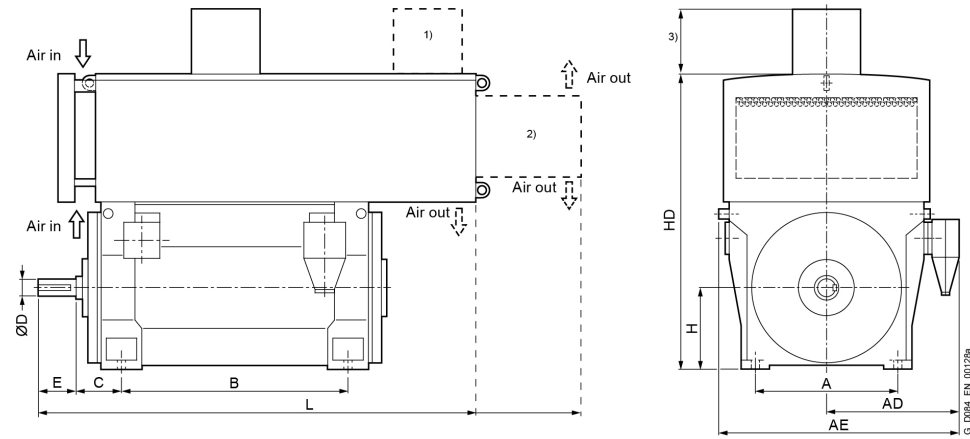
Motor type	Weight	Dimensions												
		A	AD	AE	B	C	D	E	H	HD	L	ML		
	kg	mm	mm	mm	mm	mm	mm	mm	mm	mm	mm	mm	mm	
Innomotics HV M - 1SB. IC666 6000 V / 50 Hz B3 (IM 1001) - Dimension drawings														
1SB7 504-2MA60-OCA2	7100	950	1005	1705	1320	250	110	165	500	3370	2920	o.r.		
1SB7 504-2MA60-OCC2	7050	950	1005	1705	1320	530	120	165	500	3370	3200	o.r.		
1SB7 507-2MA60-OAA2	7700	950	1005	1705	1500	250	110	165	500	3370	3130	o.r.		
1SB7 507-2MA60-OAC2	7650	950	1005	1705	1500	530	120	165	500	3370	3410	o.r.		
1SB7 507-2MA60-OCA2	7850	950	1005	1705	1500	250	110	165	500	3370	3130	o.r.		
1SB7 507-2MA60-OCC2	7800	950	1005	1705	1500	530	120	165	500	3370	3410	o.r.		
1SB7 508-2MA60-OAA2	8050	950	1005	1705	1500	250	110	165	500	3370	3130	o.r.		
1SB7 508-2MA60-OAC2	7950	950	1005	1705	1500	530	120	165	500	3370	3410	o.r.		
1SB7 508-2MA60-OCA2	8200	950	1005	1705	1500	250	110	165	500	3370	3130	o.r.		
1SB7 508-2MA60-OCC2	8150	950	1005	1705	1500	530	120	165	500	3370	3410	o.r.		
1SB7 562-2MA60-OCC2	8700	1060	1290	2060	1400	600	150	200	560	3650	3440	o.r.		
1SB7 563-2MA60-OCC2	9000	1060	1290	2060	1400	600	150	200	560	3650	3440	o.r.		
1SB7 564-2MA60-OCC2	9200	1060	1290	2060	1400	600	150	200	560	3650	3440	o.r.		
1SB7 567-2MA60-OCC2	10100	1060	1290	2060	1600	600	150	200	560	3650	3670	o.r.		
1SB7 568-2MA60-OCC2	10750	1060	1290	2060	1600	600	150	200	560	3650	3670	o.r.		
1SB8 633-2MA60-OCJ0	11300	1320	1520	2520	1600	560	160	240	630	3210	4060	o.r.		
1SB8 634-2MA60-OCJ0	11850	1320	1520	2520	1600	560	160	240	630	3210	4060	o.r.		
1SB8 637-2MA60-OCJ0	12800	1320	1520	2520	1800	560	160	240	630	3210	4260	o.r.		
1SB8 638-2MA60-OCJ0	13350	1320	1520	2520	1800	560	160	240	630	3210	4260	o.r.		
1SB8 712-2MA60-OCJ0	14700	1500	1620	2720	2000	560	180	240	710	4240	4070	o.r.		
1SB8 713-2MA60-OCJ0	15300	1500	1620	2720	2000	560	180	240	710	4240	4070	o.r.		
1SB8 714-2MA60-OCJ0	15900	1500	1620	2720	2000	560	180	240	710	4240	4070	o.r.		
1SB8 716-2MA60-OCJ0	17100	1500	1620	2720	2240	560	180	240	710	4240	4310	o.r.		



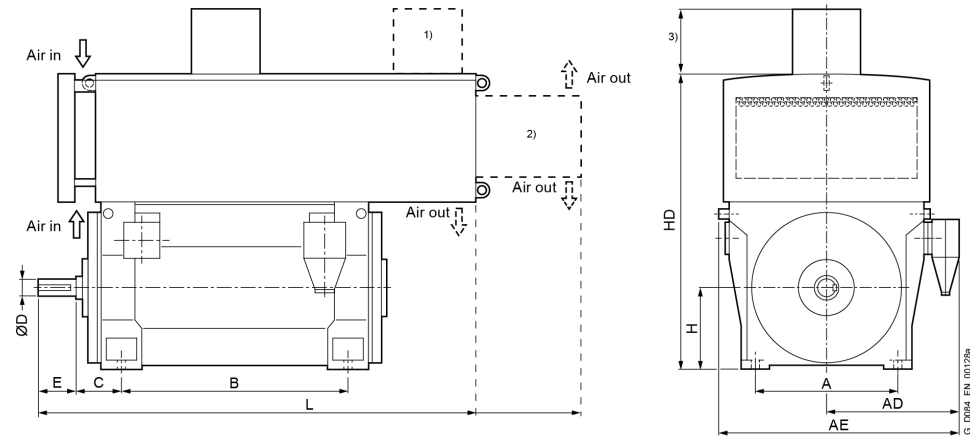
Motor type	Weight	Dimensions													
		A	AD	AE	B	C	D	E	H	HD	L	ML			
	kg	mm	mm	mm	mm	mm	mm	mm	mm	mm	mm	mm	mm		
Innomotics HV M - 1SB. IC666 6000 V / 50 Hz B3 (IM 1001) - Dimension drawings															
1SB8 717-2MA60-0CJ0	18000	1500	1620	2720	2240	560	180	240	710	4240	4310	o.r.			
1SB8 718-2MA60-0CJ0	19000	1500	1620	2720	2240	560	180	240	710	4240	4310	o.r.			
4-pole															
1SB7 453-4MA60-0AA2	5050	850	925	1545	1180	250	130	200	450	3160	2710	o.r.			
1SB7 453-4MA60-0AC2	5100	850	925	1545	1180	500	130	200	450	3160	2960	o.r.			
1SB7 453-4MA60-0CA2	5200	850	925	1545	1180	250	130	200	450	3160	2710	o.r.			
1SB7 453-4MA60-0CC2	5250	850	925	1545	1180	500	130	200	450	3160	2960	o.r.			
1SB7 454-4MA60-0AA0	5200	850	925	1545	1180	250	130	200	450	3160	2710	o.r.			
1SB7 454-4MA60-0AC0	5200	850	925	1545	1180	500	130	200	450	3160	2960	o.r.			
1SB7 454-4MA60-0CA2	5400	850	925	1545	1180	250	130	200	450	3160	2710	o.r.			
1SB7 454-4MA60-0CC2	5450	850	925	1545	1180	500	130	200	450	3160	2960	o.r.			
1SB7 457-4MA60-0CA2	6000	850	925	1545	1400	250	130	200	450	3160	2920	o.r.			
1SB7 457-4MA60-0CC2	6050	850	925	1545	1400	500	130	200	450	3160	3170	o.r.			
1SB7 457-4MA60-0AA2	5800	850	925	1545	1400	250	130	200	450	3160	2920	o.r.			
1SB7 457-4MA60-0AC2	5850	850	925	1545	1400	500	130	200	450	3160	3170	o.r.			
1SB7 458-4MA60-0CA2	6250	850	925	1545	1400	250	130	200	450	3160	2920	o.r.			
1SB7 458-4MA60-0CC2	6250	850	925	1545	1400	500	130	200	450	3160	3170	o.r.			
1SB7 458-4MA60-0AA2	6050	850	925	1545	1400	250	130	200	450	3160	2920	o.r.			
1SB7 458-4MA60-0AC2	6050	850	925	1545	1400	500	130	200	450	3160	3170	o.r.			
1SB7 503-4MA60-0CA2	7300	950	1005	1705	1320	315	160	240	500	3370	3060	o.r.			
1SB7 503-4MA60-0CC2	7350	950	1005	1705	1320	560	170	240	500	3370	3300	o.r.			
1SB7 503-4MA60-0AA2	7150	950	1005	1705	1320	315	160	240	500	3370	3060	o.r.			
1SB7 503-4MA60-0AC2	7200	950	1005	1705	1320	560	170	240	500	3370	3300	o.r.			



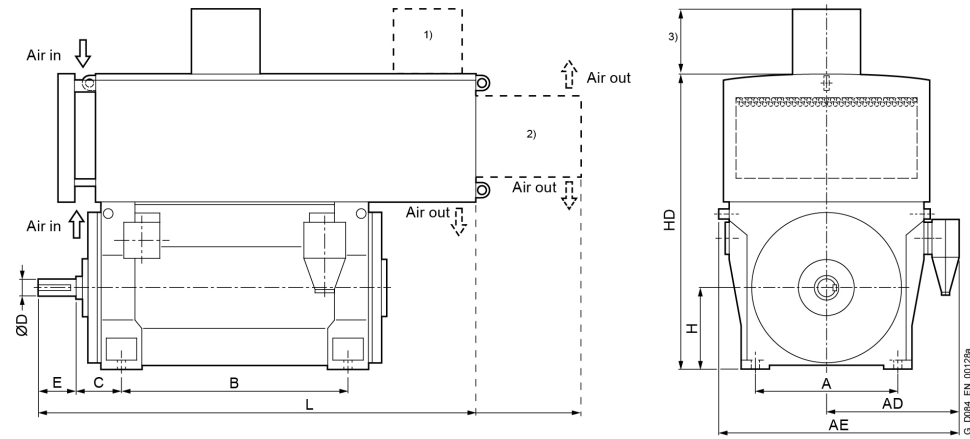
Motor type	Weight kg	Dimensions										
		A mm	AD mm	AE mm	B mm	C mm	D mm	E mm	H mm	HD mm	L mm	ML mm
Innomotics HV M - 1SB. IC666 6000 V / 50 Hz B3 (IM 1001) - Dimension drawings												
1SB7 504-4MA60-OCA2	7550	950	1005	1705	1320	315	160	240	500	3370	3060	o.r.
1SB7 504-4MA60-OCC2	7650	950	1005	1705	1320	560	170	240	500	3370	3300	o.r.
1SB7 504-4MA60-OAA2	7400	950	1005	1705	1320	315	160	240	500	3370	3060	o.r.
1SB7 504-4MA60-OAC2	7450	950	1005	1705	1320	560	170	240	500	3370	3300	o.r.
1SB7 507-4MA60-OCA2	8300	950	1005	1705	1500	315	160	240	500	3370	3270	o.r.
1SB7 507-4MA60-OCC2	8400	950	1005	1705	1500	560	170	240	500	3370	3510	o.r.
1SB7 507-4MA60-OAA2	8100	950	1005	1705	1500	315	160	240	500	3370	3270	o.r.
1SB7 507-4MA60-OAC2	8150	950	1005	1705	1500	560	170	240	500	3370	3510	o.r.
1SB7 508-4MA60-OCA2	8650	950	1005	1705	1500	315	160	240	500	3370	3270	o.r.
1SB7 508-4MA60-OCC2	8750	950	1005	1705	1500	560	170	240	500	3370	3510	o.r.
1SB7 508-4MA60-OAA2	8450	950	1005	1705	1500	315	160	240	500	3370	3270	o.r.
1SB7 508-4MA60-OAC2	8550	950	1005	1705	1500	560	170	240	500	3370	3510	o.r.
1SB7 563-4MA60-OCA2	9050	1060	1290	2060	1400	335	190	280	560	3650	3250	o.r.
1SB7 563-4MA60-OCC2	9100	1060	1290	2060	1400	600	190	280	560	3650	3520	o.r.
1SB7 564-4MA60-OCA2	9500	1060	1290	2060	1400	335	190	280	560	3650	3250	o.r.
1SB7 564-4MA60-OCC2	9550	1060	1290	2060	1400	600	190	280	560	3650	3520	o.r.
1SB7 566-4MA60-OCA2	10350	1060	1290	2060	1600	335	190	280	560	3650	3480	o.r.
1SB7 566-4MA60-OCC2	10400	1060	1290	2060	1600	600	190	280	560	3650	3750	o.r.
1SB7 567-4MA60-OCA2	10850	1060	1290	2060	1600	335	190	280	560	3650	3480	o.r.
1SB7 567-4MA60-OCC2	10950	1060	1290	2060	1600	600	190	280	560	3650	3750	o.r.
1SB7 568-4MA60-OCA2	11300	1060	1290	2060	1600	335	190	280	560	3650	3480	o.r.
1SB7 568-4MA60-OCC2	11350	1060	1290	2060	1600	600	190	280	560	3650	3750	o.r.
1SB8 633-4MA60-OCG0	12050	1320	1520	2520	1600	375	200	280	630	3210	3920	o.r.



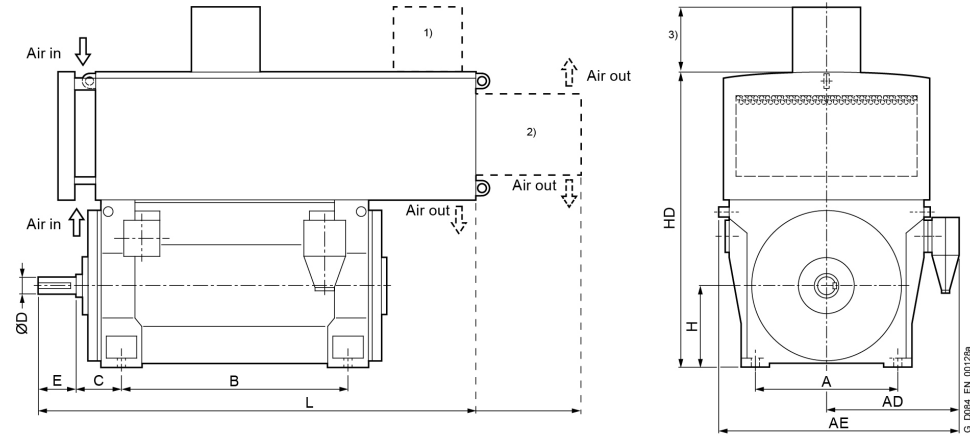
Motor type	Weight	Dimensions										
		A	AD	AE	B	C	D	E	H	HD	L	ML
	kg	mm	mm	mm	mm	mm	mm	mm	mm	mm	mm	mm
Innomotics HV M - 1SB. IC666 6000 V / 50 Hz B3 (IM 1001) - Dimension drawings												
1SB8 633-4MA60-0CJ0	12150	1320	1520	2520	1600	630	200	280	630	3210	4170	o.r.
1SB8 634-4MA60-0CG0	12450	1320	1520	2520	1600	375	200	280	630	3210	3920	o.r.
1SB8 634-4MA60-0CJ0	12550	1320	1520	2520	1600	630	200	280	630	3210	4170	o.r.
1SB8 637-4MA60-0CG0	13400	1320	1520	2520	1800	375	200	280	630	3210	4120	o.r.
1SB8 637-4MA60-0CJ0	13500	1320	1520	2520	1800	630	200	280	630	3210	4370	o.r.
1SB8 638-4MA60-0CG0	14100	1320	1520	2520	1800	375	200	280	630	3210	4120	o.r.
1SB8 638-4MA60-0CJ0	14200	1320	1520	2520	1800	630	200	280	630	3210	4370	o.r.
1SB8 712-4MA60-0CG0	15850	1500	1620	2720	2000	375	220	280	710	4240	3920	o.r.
1SB8 712-4MA60-0CJ0	16000	1500	1620	2720	2000	630	220	280	710	4240	4180	o.r.
1SB8 713-4MA60-0CG0	16500	1500	1620	2720	2000	375	220	280	710	4240	3920	o.r.
1SB8 713-4MA60-0CJ0	16650	1500	1620	2720	2000	630	220	280	710	4240	4180	o.r.
1SB8 714-4MA60-0CG0	17350	1500	1620	2720	2000	375	220	280	710	4240	3920	o.r.
1SB8 714-4MA60-0CJ0	17450	1500	1620	2720	2000	630	220	280	710	4240	4180	o.r.
1SB8 717-4MA60-0CG0	18650	1500	1620	2720	2240	375	220	280	710	4240	4160	o.r.
1SB8 717-4MA60-0CJ0	18800	1500	1620	2720	2240	630	220	280	710	4240	4420	o.r.
1SB8 718-4MA60-0CG0	19250	1500	1620	2720	2240	375	220	280	710	4240	4160	o.r.
1SB8 718-4MA60-0CJ0	19400	1500	1620	2720	2240	630	220	280	710	4240	4420	o.r.
6-pole												
1SB7 453-6MA60-0AA2	5050	850	925	1545	1180	250	130	200	450	3160	2710	o.r.
1SB7 453-6MA60-0AC2	5100	850	925	1545	1180	500	130	200	450	3160	2960	o.r.
1SB7 453-6MA60-0CA0	5200	850	925	1545	1180	250	130	200	450	3160	2710	o.r.
1SB7 453-6MA60-0CC0	5250	850	925	1545	1180	500	130	200	450	3160	2960	o.r.
1SB7 454-6MA60-0CA2	5400	850	925	1545	1180	250	130	200	450	3160	2710	o.r.



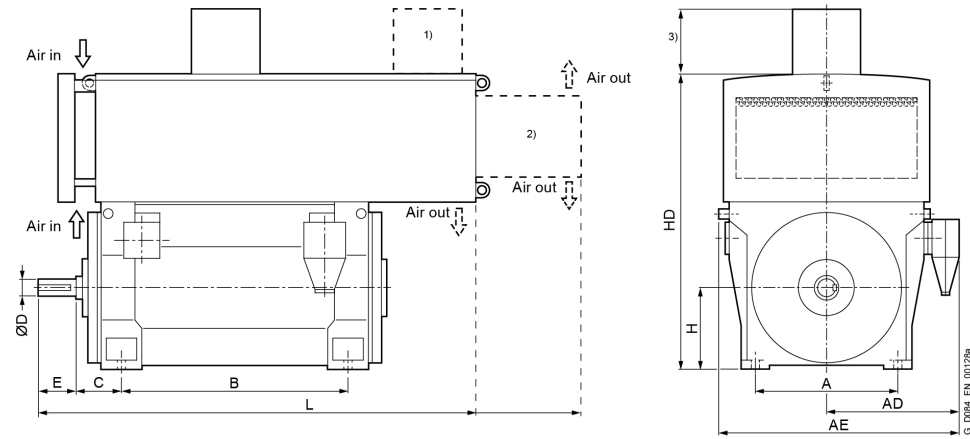
Motor type	Weight	Dimensions										
		A	AD	AE	B	C	D	E	H	HD	L	ML
	kg	mm	mm	mm	mm	mm	mm	mm	mm	mm	mm	mm
Innomotics HV M - 1SB. IC666 6000 V / 50 Hz B3 (IM 1001) - Dimension drawings												
1SB7 454-6MA60-0CC2	5450	850	925	1545	1180	500	130	200	450	3160	2960	o.r.
1SB7 454-6MA60-0AA2	5200	850	925	1545	1180	250	130	200	450	3160	2710	o.r.
1SB7 454-6MA60-0AC2	5250	850	925	1545	1180	500	130	200	450	3160	2960	o.r.
1SB7 457-6MA60-0AA0	5700	850	925	1545	1400	250	130	200	450	3160	2920	o.r.
1SB7 457-6MA60-0AC0	5750	850	925	1545	1400	500	130	200	450	3160	3170	o.r.
1SB7 457-6MA60-0CA0	5900	850	925	1545	1400	250	130	200	450	3160	2920	o.r.
1SB7 457-6MA60-0CC0	5900	850	925	1545	1400	500	130	200	450	3160	3170	o.r.
1SB7 458-6MA60-0AA2	6000	850	925	1545	1400	250	130	200	450	3160	2920	o.r.
1SB7 458-6MA60-0AC2	6000	850	925	1545	1400	500	130	200	450	3160	3170	o.r.
1SB7 458-6MA60-0CA2	6200	850	925	1545	1400	250	130	200	450	3160	2920	o.r.
1SB7 458-6MA60-0CC2	6200	850	925	1545	1400	500	130	200	450	3160	3170	o.r.
1SB7 503-6MA60-0CA2	7350	950	1005	1705	1320	315	160	240	500	3370	3060	o.r.
1SB7 503-6MA60-0CC2	7450	950	1005	1705	1320	560	170	240	500	3370	3300	o.r.
1SB7 503-6MA60-0AA2	7200	950	1005	1705	1320	315	160	240	500	3370	3060	o.r.
1SB7 503-6MA60-0AC2	7250	950	1005	1705	1320	560	170	240	500	3370	3300	o.r.
1SB7 504-6MA60-0AA2	7400	950	1005	1705	1320	315	160	240	500	3370	3060	o.r.
1SB7 504-6MA60-0AC2	7500	950	1005	1705	1320	560	170	240	500	3370	3300	o.r.
1SB7 504-6MA60-0CA2	7650	950	1005	1705	1320	315	160	240	500	3370	3060	o.r.
1SB7 504-6MA60-0CC2	7700	950	1005	1705	1320	560	170	240	500	3370	3300	o.r.
1SB7 507-6MA60-0CA2	8400	950	1005	1705	1500	315	160	240	500	3370	3270	o.r.
1SB7 507-6MA60-0CC2	8450	950	1005	1705	1500	560	170	240	500	3370	3510	o.r.
1SB7 507-6MA60-0AA2	8150	950	1005	1705	1500	315	160	240	500	3370	3270	o.r.
1SB7 507-6MA60-0AC2	8200	950	1005	1705	1500	560	170	240	500	3370	3510	o.r.



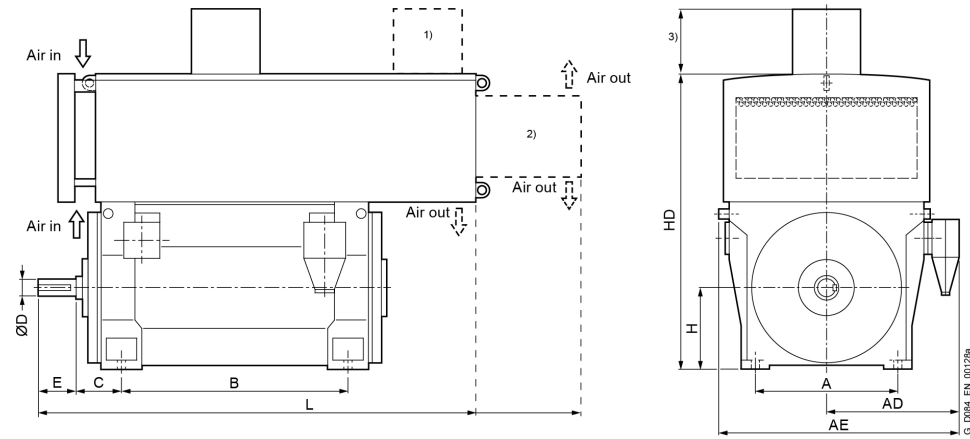
Motor type	Weight	Dimensions										
		A	AD	AE	B	C	D	E	H	HD	L	ML
	kg	mm	mm	mm	mm	mm	mm	mm	mm	mm	mm	mm
Innomotics HV M - 1SB. IC666 6000 V / 50 Hz B3 (IM 1001) - Dimension drawings												
1SB7 508-6MA60-OCA2	8750	950	1005	1705	1500	315	160	240	500	3370	3270	o.r.
1SB7 508-6MA60-OCC2	8800	950	1005	1705	1500	560	170	240	500	3370	3510	o.r.
1SB7 508-6MA60-OAA2	8500	950	1005	1705	1500	315	160	240	500	3370	3270	o.r.
1SB7 508-6MA60-OAC2	8550	950	1005	1705	1500	560	170	240	500	3370	3510	o.r.
1SB7 561-6MA60-OCA2	9100	1060	1290	2060	1400	335	190	280	560	3650	3250	o.r.
1SB7 561-6MA60-OCC2	9150	1060	1290	2060	1400	600	190	280	560	3650	3520	o.r.
1SB7 562-6MA60-OCA2	9400	1060	1290	2060	1400	335	190	280	560	3650	3250	o.r.
1SB7 562-6MA60-OCC2	9500	1060	1290	2060	1400	600	190	280	560	3650	3520	o.r.
1SB7 563-6MA60-OCA2	9700	1060	1290	2060	1400	335	190	280	560	3650	3250	o.r.
1SB7 563-6MA60-OCC2	9800	1060	1290	2060	1400	600	190	280	560	3650	3520	o.r.
1SB7 564-6MA60-OCA2	10100	1060	1290	2060	1400	335	190	280	560	3650	3250	o.r.
1SB7 564-6MA60-OCC2	10150	1060	1290	2060	1400	600	190	280	560	3650	3520	o.r.
1SB7 567-6MA60-OCA2	10900	1060	1290	2060	1600	335	190	280	560	3650	3480	o.r.
1SB7 567-6MA60-OCC2	11000	1060	1290	2060	1600	600	190	280	560	3650	3750	o.r.
1SB7 568-6MA60-OCA2	11550	1060	1290	2060	1600	335	190	280	560	3650	3480	o.r.
1SB7 568-6MA60-OCC2	11650	1060	1290	2060	1600	600	190	280	560	3650	3750	o.r.
1SB8 632-6MA60-OCG0	11950	1320	1520	2520	1600	375	200	280	630	3210	3920	o.r.
1SB8 632-6MA60-OCJ0	12050	1320	1520	2520	1600	630	200	280	630	3210	4170	o.r.
1SB8 633-6MA60-OCG0	12350	1320	1520	2520	1600	375	200	280	630	3210	3920	o.r.
1SB8 633-6MA60-OCJ0	12450	1320	1520	2520	1600	630	200	280	630	3210	4170	o.r.
1SB8 634-6MA60-OCG0	12900	1320	1520	2520	1600	375	200	280	630	3210	3920	o.r.
1SB8 634-6MA60-OCJ0	13000	1320	1520	2520	1600	630	200	280	630	3210	4170	o.r.
1SB8 637-6MA60-OCG0	13700	1320	1520	2520	1800	375	200	280	630	3210	4120	o.r.



Motor type	Weight	Dimensions										
		A	AD	AE	B	C	D	E	H	HD	L	ML
	kg	mm	mm	mm	mm	mm	mm	mm	mm	mm	mm	mm
Innomotics HV M - 1SB. IC666 6000 V / 50 Hz B3 (IM 1001) - Dimension drawings												
1SB8 637-6MA60-0CJ0	13800	1320	1520	2520	1800	630	200	280	630	3210	4370	o.r.
1SB8 638-6MA60-0CG0	14250	1320	1520	2520	1800	375	200	280	630	3210	4120	o.r.
1SB8 638-6MA60-0CJ0	14350	1320	1520	2520	1800	630	200	280	630	3210	4370	o.r.
1SB8 712-6MA60-0CG0	15700	1500	1620	2720	2000	375	220	280	710	4240	3920	o.r.
1SB8 712-6MA60-0CJ0	15850	1500	1620	2720	2000	630	220	280	710	4240	4180	o.r.
1SB8 713-6MA60-0CG0	16650	1500	1620	2720	2000	375	220	280	710	4240	3920	o.r.
1SB8 713-6MA60-0CJ0	16800	1500	1620	2720	2000	630	220	280	710	4240	4180	o.r.
1SB8 714-6MA60-0CG0	17700	1500	1620	2720	2000	375	220	280	710	4240	3920	o.r.
1SB8 714-6MA60-0CJ0	17800	1500	1620	2720	2000	630	220	280	710	4240	4180	o.r.
1SB8 717-6MA60-0CG0	19350	1500	1620	2720	2240	375	220	280	710	4240	4160	o.r.
1SB8 717-6MA60-0CJ0	19500	1500	1620	2720	2240	630	220	280	710	4240	4420	o.r.
1SB8 718-6MA60-0CG0	20400	1500	1620	2720	2240	375	220	280	710	4240	4160	o.r.
1SB8 718-6MA60-0CJ0	20550	1500	1620	2720	2240	630	220	280	710	4240	4420	o.r.
8-pole												
1SB7 452-8MA60-0AA0	5050	850	925	1545	1180	250	130	200	450	3160	2710	o.r.
1SB7 452-8MA60-0AC0	5100	850	925	1545	1180	500	130	200	450	3160	2960	o.r.
1SB7 453-8MA60-0AA0	5250	850	925	1545	1180	250	130	200	450	3160	2710	o.r.
1SB7 453-8MA60-0AC0	5300	850	925	1545	1180	500	130	200	450	3160	2960	o.r.
1SB7 454-8MA60-0AA2	5500	850	925	1545	1180	250	130	200	450	3160	2710	o.r.
1SB7 454-8MA60-0AC2	5500	850	925	1545	1180	500	130	200	450	3160	2960	o.r.
1SB7 457-8MA60-0AA2	6000	850	925	1545	1400	250	130	200	450	3160	2920	o.r.
1SB7 457-8MA60-0AC2	6000	850	925	1545	1400	500	130	200	450	3160	3170	o.r.
1SB7 458-8MA60-0AA2	6250	850	925	1545	1400	250	130	200	450	3160	2920	o.r.



Motor type	Weight	Dimensions										
		A	AD	AE	B	C	D	E	H	HD	L	ML
	kg	mm	mm	mm	mm	mm	mm	mm	mm	mm	mm	mm
Innomotics HV M - 1SB. IC666 6000 V / 50 Hz B3 (IM 1001) - Dimension drawings												
1SB7 458-8MA60-0AC2	6250	850	925	1545	1400	500	130	200	450	3160	3170	o.r.
1SB7 502-8MA60-0AA2	6900	950	1005	1705	1320	315	160	240	500	3370	3060	o.r.
1SB7 502-8MA60-0AC2	6950	950	1005	1705	1320	560	170	240	500	3370	3300	o.r.
1SB7 503-8MA60-0AA2	7150	950	1005	1705	1320	315	160	240	500	3370	3060	o.r.
1SB7 503-8MA60-0AC2	7200	950	1005	1705	1320	560	170	240	500	3370	3300	o.r.
1SB7 503-8MA60-0CA2	7400	950	1005	1705	1320	315	160	240	500	3370	3060	o.r.
1SB7 503-8MA60-0CC2	7450	950	1005	1705	1320	560	170	240	500	3370	3300	o.r.
1SB7 504-8MA60-0AA2	7450	950	1005	1705	1320	315	160	240	500	3370	3060	o.r.
1SB7 504-8MA60-0AC2	7500	950	1005	1705	1320	560	170	240	500	3370	3300	o.r.
1SB7 504-8MA60-0CA2	7700	950	1005	1705	1320	315	160	240	500	3370	3060	o.r.
1SB7 504-8MA60-0CC2	7750	950	1005	1705	1320	560	170	240	500	3370	3300	o.r.
1SB7 507-8MA60-0AA2	8150	950	1005	1705	1500	315	160	240	500	3370	3270	o.r.
1SB7 507-8MA60-0AC2	8200	950	1005	1705	1500	560	170	240	500	3370	3510	o.r.
1SB7 507-8MA60-0CA2	8400	950	1005	1705	1500	315	160	240	500	3370	3270	o.r.
1SB7 507-8MA60-0CC2	8450	950	1005	1705	1500	560	170	240	500	3370	3510	o.r.
1SB7 508-8MA60-0AA2	8500	950	1005	1705	1500	315	160	240	500	3370	3270	o.r.
1SB7 508-8MA60-0AC2	8550	950	1005	1705	1500	560	170	240	500	3370	3510	o.r.
1SB7 508-8MA60-0CA2	8800	950	1005	1705	1500	315	160	240	500	3370	3270	o.r.
1SB7 508-8MA60-0CC2	8850	950	1005	1705	1500	560	170	240	500	3370	3510	o.r.
1SB7 563-8MA60-0CA2	9400	1060	1075	1845	1400	335	190	280	560	3650	3250	o.r.
1SB7 563-8MA60-0CC2	9500	1060	1075	1845	1400	600	190	280	560	3650	3520	o.r.
1SB7 564-8MA60-0CA2	9850	1060	1075	1845	1400	335	190	280	560	3650	3250	o.r.
1SB7 564-8MA60-0CC2	9950	1060	1075	1845	1400	600	190	280	560	3650	3520	o.r.



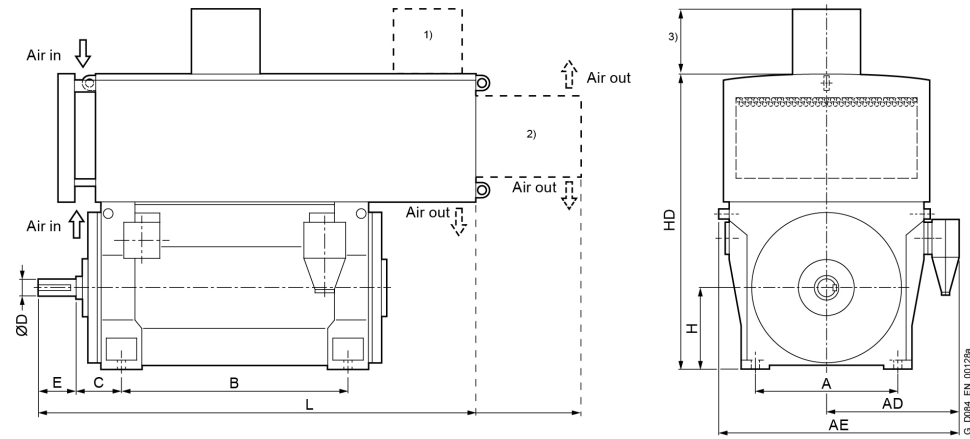
Motor type	Weight	Dimensions										
		A	AD	AE	B	C	D	E	H	HD	L	ML
	kg	mm	mm	mm	mm	mm	mm	mm	mm	mm	mm	mm
Innomotics HV M - 1SB. IC666 6000 V / 50 Hz B3 (IM 1001) - Dimension drawings												
1SB7 567-8MA60-OCA2	10750	1060	1075	1845	1600	335	190	280	560	3650	3480	o.r.
1SB7 567-8MA60-OCC2	10800	1060	1075	1845	1600	600	190	280	560	3650	3750	o.r.
1SB7 568-8MA60-OCA2	11300	1060	1075	1845	1600	335	190	280	560	3650	3480	o.r.
1SB7 568-8MA60-OCC2	11350	1060	1075	1845	1600	600	190	280	560	3650	3750	o.r.
1SB8 633-8MA60-OCG0	11100	1320	1520	2520	1600	375	200	280	630	3210	3920	o.r.
1SB8 633-8MA60-OCJ0	11200	1320	1520	2520	1600	630	200	280	630	3210	4170	o.r.
1SB8 634-8MA60-OCG0	11900	1320	1520	2520	1600	375	200	280	630	3210	3920	o.r.
1SB8 634-8MA60-OCJ0	12000	1320	1520	2520	1600	630	200	280	630	3210	4170	o.r.
1SB8 637-8MA60-OCG0	13150	1320	1520	2520	1800	375	200	280	630	3210	4120	o.r.
1SB8 637-8MA60-OCJ0	13250	1320	1520	2520	1800	630	200	280	630	3210	4370	o.r.
1SB8 638-8MA60-OCG0	13900	1320	1520	2520	1800	375	200	280	630	3210	4120	o.r.
1SB8 638-8MA60-OCJ0	14000	1320	1520	2520	1800	630	200	280	630	3210	4370	o.r.
1SB8 712-8MA60-OCG0	15100	1500	1620	2720	2000	375	220	280	710	4150	3920	o.r.
1SB8 712-8MA60-OCJ0	15250	1500	1620	2720	2000	630	220	280	710	4150	4180	o.r.
1SB8 713-8MA60-OCG0	15800	1500	1620	2720	2000	375	220	280	710	4150	3920	o.r.
1SB8 713-8MA60-OCJ0	16000	1500	1620	2720	2000	630	220	280	710	4150	4180	o.r.
1SB8 714-8MA60-OCG0	16950	1500	1620	2720	2000	375	220	280	710	4150	3920	o.r.
1SB8 714-8MA60-OCJ0	17150	1500	1620	2720	2000	630	220	280	710	4150	4180	o.r.
1SB8 717-8MA60-OCG0	18700	1500	1620	2720	2240	375	220	280	710	4150	4160	o.r.
1SB8 717-8MA60-OCJ0	18900	1500	1620	2720	2240	630	220	280	710	4150	4420	o.r.
1SB8 718-8MA60-OCG0	19750	1500	1620	2720	2240	375	220	280	710	4150	4160	o.r.
1SB8 718-8MA60-OCJ0	19950	1500	1620	2720	2240	630	220	280	710	4150	4420	o.r.

Innomotics HV M - 1SB. IC666 6600 V / 60 Hz B3 (IM 1001)																			
Rated power IEC	Article No.	Speed	Rated current I_R	Efficiency				Power factor				Torque T_R	Breakdown torque T_B/ T_R	Locked rotor torque T_{LR}/ T_R	Locked rotor current I_{LR}/ I_R	Inertia			
				5/4 load	4/4 load	3/4 load	2/4 load	5/4 load	4/4 load	3/4 load	2/4 load					motor	external	Startup max T/TR	
kW		rpm	A	%	%	%	%	cos φ	cos φ	cos φ	cos φ	Nm	[-]	[-]	[-]	kgm ²	kgm ²	[-]	
2-pole: n_{sync} = 3600 rpm at 60 Hz																			
1600	1SB7 453-2MA10-0A.0	3578	168	95.5	95.8	95.5	94.3	0.86	0.87	0.84	0.78	4270	2.45	0.50	5.9	10	20	o.r.	
1600	1SB7 453-2MA10-0C.0	3579	164	95.5	95.8	95.4	94.3	0.88	0.89	0.88	0.84	4269	2.50	0.60	5.8	14	95	o.r.	
1750	1SB7 454-2MA10-0A.0	3578	182	95.6	96.0	95.8	94.9	0.87	0.88	0.87	0.83	4671	2.45	0.55	5.9	11	20	o.r.	
1740	1SB7 454-2MA10-0C.0	3579	176	95.6	95.9	95.6	94.5	0.89	0.90	0.89	0.86	4643	2.65	0.65	6.0	15	95	o.r.	
1950	1SB7 457-2MA10-0A.0	3580	200	95.8	96.1	95.8	94.8	0.87	0.88	0.85	0.79	5201	2.65	0.55	6.0	12	25	o.r.	
1950	1SB7 457-2MA10-0C.0	3580	198	95.8	96.1	95.8	94.7	0.89	0.90	0.89	0.86	5201	2.65	0.65	6.0	16	100	o.r.	
2100	1SB7 458-2MA10-0A.0	3580	210	96.0	96.3	96.1	95.2	0.89	0.90	0.88	0.84	5602	2.80	0.65	6.2	13	25	o.r.	
2100	1SB7 458-2MA10-0C.0	3580	210	95.9	96.3	96.1	95.2	0.90	0.91	0.91	0.88	5602	2.80	0.70	6.0	17	105	o.r.	
2300	1SB7 502-2MA10-0C.0	3576	240	95.8	96.0	95.9	95.2	0.87	0.88	0.87	0.82	6142	2.35	0.65	4.6	18	70	o.r.	
2500	1SB7 503-2MA10-0C.0	3579	255	96.1	96.3	96.2	95.4	0.88	0.89	0.88	0.83	6670	2.70	0.70	5.3	20	74	o.r.	
2600	1SB7 504-2MA10-0C.0	3580	265	96.2	96.3	96.2	95.4	0.88	0.89	0.88	0.81	6935	2.80	0.80	5.5	21	76	o.r.	
2900	1SB7 507-2MA10-0C.0	3581	290	96.4	96.6	96.5	95.8	0.90	0.90	0.89	0.85	7733	2.85	0.80	5.8	24	82	o.r.	
3100	1SB7 508-2MA10-0C.0	3582	310	96.6	96.8	96.7	96.1	0.91	0.91	0.91	0.87	8264	2.85	0.65	5.8	27	92	o.r.	
3670	1SB7 562-2MA10-0CC0	3584	375	96.0	96.1	95.7	94.7	0.87	0.89	0.88	0.84	9778	2.45	0.60	5.7	41	175	o.r.	
3810	1SB7 563-2MA10-0CC0	3585	385	96.1	96.2	95.9	94.9	0.89	0.90	0.89	0.86	10149	2.70	0.70	6.1	44	185	o.r.	
4580	1SB7 564-2MA10-0CC0	3584	470	95.9	96.0	95.6	94.5	0.88	0.89	0.88	0.85	12203	2.50	0.60	5.7	47	175	o.r.	
4840	1SB7 567-2MA10-0CC0	3585	490	96.1	96.2	95.8	94.7	0.90	0.90	0.90	0.86	12892	2.80	0.65	6.0	52	185	o.r.	
5080	1SB7 568-2MA10-0CC0	3588	510	96.3	96.3	95.8	94.6	0.90	0.90	0.88	0.84	13520	3.20	0.75	6.8	58	210	o.r.	
5650	1SB8 632-2MA10-0CJ0	3581	580	95.9	96.1	95.5	94.0	0.86	0.89	0.89	0.88	15067	2.00	0.50	4.9	75	150	o.r.	
6150	1SB8 633-2MA10-0CJ0	3581	630	96.1	96.3	95.8	94.4	0.87	0.89	0.90	0.89	16400	2.00	0.50	4.9	82	150	o.r.	
6650	1SB8 634-2MA10-0CJ0	3583	670	96.4	96.5	96.0	94.7	0.88	0.90	0.91	0.90	17723	2.15	0.55	5.2	90	150	o.r.	
7400	1SB8 637-2MA10-0CJ0	3583	740	96.6	96.7	96.2	95.0	0.89	0.91	0.92	0.90	19722	2.30	0.60	5.5	99	150	o.r.	
7900	1SB8 638-2MA10-0CJ0	3586	780	96.8	96.9	96.4	95.1	0.91	0.92	0.92	0.90	21037	2.55	0.65	6.0	107	160	o.r.	
8700	1SB8 712-2MA10-0CJ0	3588	880	96.4	96.3	95.6	94.1	0.88	0.90	0.89	0.87	23155	2.15	0.55	5.2	149	90	o.r.	
9150	1SB8 713-2MA10-0CJ0	3586	920	96.5	96.4	95.9	94.5	0.87	0.90	0.90	0.90	24366	2.00	0.50	4.8	160	80	o.r.	
9900	1SB8 714-2MA10-0CJ0	3588	990	96.7	96.6	96.0	94.7	0.90	0.91	0.91	0.89	26348	2.35	0.60	5.6	173	70	o.r.	
10500	1SB8 716-2MA10-0CJ0	3590	1040	96.8	96.6	95.9	94.4	0.90	0.91	0.89	0.85	27930	2.55	0.60	6.2	184	100	o.r.	
11250	1SB8 717-2MA10-0CJ0	3589	1120	97.0	96.8	96.3	95.0	0.90	0.91	0.91	0.89	29933	2.30	0.50	5.6	199	100	o.r.	
4-pole: n_{sync} = 1800 rpm at 60 Hz																			
1600	1SB7 453-4MA10-0A.0	1783	168	95.2	95.7	95.7	95.1	0.87	0.87	0.84	0.77	8569	2.40	0.65	5.5	17	175	o.r.	
1680	1SB7 453-4MA10-0C.0	1784	176	95.3	95.8	95.9	95.3	0.86	0.87	0.86	0.81	8993	2.20	0.45	5.0	23	285	o.r.	
1830	1SB7 454-4MA10-0C.0	1786	192	95.6	96.0	96.0	95.3	0.86	0.87	0.83	0.75	9785	2.45	0.50	5.3	25	340	o.r.	
1710	1SB7 454-4MA10-0A.0	1783	180	95.4	95.9	95.8	95.2	0.87	0.87	0.84	0.76	9158	2.55	0.70	6.0	19	215	o.r.	
2100	1SB7 457-4MA10-0C.0	1787	215	95.9	96.3	96.3	95.7	0.88	0.89	0.86	0.80	11222	2.60	0.60	5.8	30	425	o.r.	
2000	1SB7 457-4MA10-0A.0	1783	205	95.7	96.2	96.2	95.7	0.88	0.89	0.87	0.81	10711	2.55	0.70	6.0	22	240	o.r.	
2250	1SB7 458-4MA10-0C.0	1788	230	96.1	96.5	96.4	95.8	0.88	0.89	0.85	0.78	12017	2.80	0.65	6.0	32	475	o.r.	

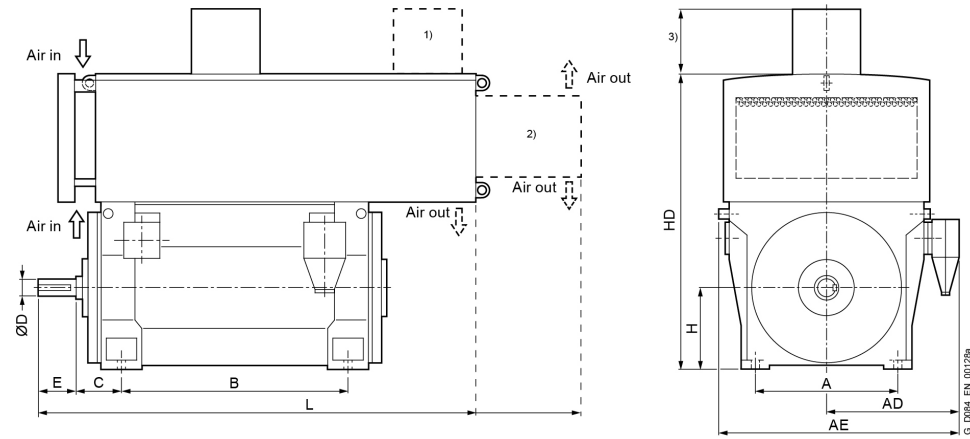
Innomotics HV M - 1SB. IC666 6600 V / 60 Hz B3 (IM 1001)																		
Rated power IEC	Article No.	Speed	Rated current I_R	Efficiency				Power factor				Torque T_R	Breakdown torque T_B/ T_R	Locked rotor torque T_{LR}/ T_R	Locked rotor current I_{LR}/ I_R	Inertia		
				5/4 load	4/4 load	3/4 load	2/4 load	5/4 load	4/4 load	3/4 load	2/4 load					motor	external	Startup max T/TR
kW		rpm	A	%	%	%	%	cos φ	cos φ	cos φ	cos φ	Nm	[-]	[-]	[-]	kgm ²	kgm ²	[-]
2150	1SB7 458-4MA10-0A.0	1785	220	95.9	96.3	96.3	95.8	0.88	0.89	0.86	0.80	11502	2.70	0.75	6.0	24	270	o.r.
2600	1SB7 503-4MA10-0A.0	1786	270	96.1	96.4	96.5	95.8	0.87	0.88	0.86	0.80	13902	2.50	0.75	5.5	37	340	o.r.
2650	1SB7 503-4MA10-0C.0	1788	270	96.1	96.4	96.5	95.9	0.87	0.89	0.87	0.82	14153	2.45	0.55	5.0	45	355	o.r.
2850	1SB7 504-4MA10-0A.0	1787	295	96.3	96.5	96.6	95.9	0.88	0.88	0.85	0.79	15230	2.75	0.85	5.9	40	295	o.r.
2900	1SB7 504-4MA10-0C.0	1789	295	96.4	96.6	96.6	95.9	0.88	0.89	0.86	0.81	15480	2.50	0.55	5.2	50	485	o.r.
3150	1SB7 507-4MA10-0C.0	1788	315	96.5	96.8	96.8	96.3	0.90	0.90	0.89	0.86	16823	2.55	0.65	5.2	56	405	o.r.
3100	1SB7 507-4MA10-0A.0	1785	310	96.2	96.7	96.8	96.4	0.88	0.90	0.89	0.87	16584	2.45	0.80	5.3	46	255	o.r.
3350	1SB7 508-4MA10-0A.0	1786	335	96.4	96.8	96.9	96.5	0.89	0.90	0.89	0.86	17912	2.50	0.80	5.7	50	270	o.r.
3400	1SB7 508-4MA10-0C.0	1788	340	96.6	96.9	97.0	96.5	0.90	0.90	0.90	0.87	18159	2.45	0.60	5.2	62	545	o.r.
3800	1SB7 563-4MA10-0C.0	1790	385	96.6	96.9	97.0	96.6	0.88	0.89	0.88	0.85	20272	2.25	0.65	5.4	80	515	o.r.
4100	1SB7 564-4MA10-0C.0	1789	415	96.7	97.0	97.2	96.9	0.88	0.89	0.90	0.88	21885	2.05	0.55	4.9	90	595	o.r.
4750	1SB7 566-4MA10-0C.0	1791	475	97.0	97.2	97.3	97.0	0.89	0.90	0.89	0.87	25326	2.30	0.65	5.6	100	625	o.r.
5200	1SB7 567-4MA10-0C.0	1791	519	97.1	97.3	97.5	97.1	0.89	0.90	0.90	0.87	27725	2.30	0.60	5.5	109	695	o.r.
5700	1SB7 568-4MA10-0C.0	1791	569	97.2	97.4	97.5	97.2	0.89	0.90	0.89	0.86	30391	2.40	0.65	5.9	119	740	o.r.
6300	1SB8 633-4MA10-0C.0	1791	640	96.6	96.8	96.5	95.6	0.88	0.89	0.88	0.84	33590	2.45	0.55	5.8	151	380	o.r.
7100	1SB8 634-4MA10-0C.0	1791	720	96.8	96.9	96.7	95.9	0.88	0.89	0.88	0.84	37856	2.45	0.55	5.8	166	400	o.r.
7500	1SB8 637-4MA10-0C.0	1792	750	96.9	97.0	96.8	96.1	0.90	0.90	0.90	0.86	39966	2.55	0.65	6.0	182	450	o.r.
8350	1SB8 638-4MA10-0C.0	1792	830	97.0	97.2	97.0	96.3	0.89	0.90	0.89	0.85	44496	2.55	0.60	6.0	197	500	o.r.
9050	1SB8 712-4MA10-0C.0	1791	900	97.0	97.2	97.1	96.4	0.89	0.90	0.90	0.87	48253	2.35	0.50	5.7	259	440	o.r.
9600	1SB8 713-4MA10-0C.0	1792	950	97.1	97.3	97.2	96.5	0.89	0.91	0.90	0.88	51157	2.50	0.55	6.0	284	500	o.r.
10400	1SB8 714-4MA10-0C.0	1792	1020	97.3	97.4	97.3	96.6	0.90	0.91	0.91	0.88	55420	2.60	0.55	6.0	312	550	o.r.
11550	1SB8 717-4MA10-0C.0	1792	1140	97.3	97.5	97.4	96.8	0.90	0.91	0.91	0.89	61548	2.60	0.55	6.0	346	580	o.r.
11950	1SB8 718-4MA10-0C.0	1793	1200	97.4	97.5	97.4	96.7	0.89	0.90	0.89	0.86	63644	2.60	0.50	6.0	361	700	o.r.
6-pole: n_{sync} = 1200 rpm at 60 Hz																		
1220	1SB7 452-6MA10-0A.0	1189	136	94.9	95.5	95.5	95.0	0.82	0.82	0.75	0.63	9798	2.40	0.80	5.5	20	530	o.r.
1350	1SB7 453-6MA10-0A.0	1189	148	95.2	95.7	95.8	95.3	0.83	0.83	0.77	0.65	10842	2.40	0.80	5.5	22	610	o.r.
1370	1SB7 453-6MA10-0C.0	1189	148	95.2	95.7	95.9	95.5	0.84	0.85	0.82	0.74	11003	2.35	0.65	5.3	30	850	o.r.
1420	1SB7 454-6MA10-0A.0	1189	152	95.2	95.8	96.0	95.7	0.84	0.85	0.82	0.75	11405	2.25	0.80	5.5	24	620	o.r.
1500	1SB7 454-6MA10-0C.0	1189	162	95.2	95.8	96.0	95.6	0.85	0.85	0.82	0.75	12047	2.35	0.65	5.3	33	880	o.r.
1600	1SB7 457-6MA10-0A.0	1190	172	95.4	96.0	96.1	95.7	0.84	0.85	0.80	0.70	12839	2.45	0.80	5.5	28	815	o.r.
1620	1SB7 457-6MA10-0C.0	1190	172	95.4	96.0	96.1	95.8	0.85	0.86	0.83	0.76	13000	2.40	0.65	5.3	36	1030	o.r.
1750	1SB7 458-6MA10-0A.0	1190	188	95.7	96.2	96.3	96.0	0.85	0.85	0.81	0.73	14043	2.45	0.85	5.7	31	925	o.r.
1760	1SB7 458-6MA10-0C.0	1191	186	95.7	96.2	96.3	95.9	0.86	0.86	0.83	0.75	14111	2.60	0.75	5.5	41	1120	o.r.
1950	1SB7 502-6MA10-0A.0	1191	215	95.7	96.1	96.2	95.8	0.83	0.83	0.79	0.70	15635	2.45	0.90	5.1	42	1180	o.r.
2000	1SB7 502-6MA10-0C.0	1192	210	95.8	96.2	96.4	96.0	0.84	0.86	0.83	0.76	16022	2.30	0.70	4.7	54	1250	o.r.
2170	1SB7 503-6MA10-0A.0	1191	240	95.8	96.2	96.4	95.9	0.83	0.83	0.79	0.70	17399	2.50	0.95	5.2	46	1300	o.r.
2240	1SB7 503-6MA10-0C.0	1192	235	95.9	96.3	96.5	96.1	0.84	0.86	0.83	0.76	17945	2.35	0.70	4.7	60	1370	o.r.

Innomotics HV M - 1SB. IC666 6600 V / 60 Hz B3 (IM 1001)																		
Rated power IEC	Article No.	Speed	Rated current I_R	Efficiency				Power factor				Torque T_R	Breakdown torque T_B/ T_R	Locked torque T_{LR}/ T_R	rotor Locked current I_{LR}/ I_R	Inertia		
				5/4 load	4/4 load	3/4 load	2/4 load	5/4 load	4/4 load	3/4 load	2/4 load					motor	external	Startup max T/TR
kW		rpm	A	%	%	%	%	cos φ	cos φ	cos φ	cos φ	Nm	[-]	[-]	[-]	kgm ²	kgm ²	[-]
2320	1SB7 504-6MA10-0A.0	1192	255	96.1	96.3	96.4	95.9	0.82	0.82	0.76	0.65	18586	2.75	1.05	5.6	51	1430	o.r.
2420	1SB7 504-6MA10-0C.0	1193	260	96.2	96.5	96.6	96.1	0.84	0.84	0.81	0.73	19371	2.55	0.80	5.1	66	1500	o.r.
2540	1SB7 507-6MA10-0A.0	1192	275	96.2	96.5	96.6	96.1	0.83	0.83	0.77	0.67	20348	2.75	1.00	5.8	58	1600	o.r.
2640	1SB7 507-6MA10-0C.0	1193	285	96.3	96.6	96.7	96.3	0.84	0.84	0.82	0.73	21132	2.50	0.75	5.1	74	1650	o.r.
2750	1SB7 508-6MA10-0A.0	1191	290	96.2	96.6	96.8	96.5	0.85	0.86	0.84	0.77	22049	2.45	0.95	5.4	63	1780	o.r.
3000	1SB7 561-6MA10-0C.0	1193	315	96.1	96.5	96.6	96.1	0.85	0.86	0.84	0.78	24013	2.40	0.65	5.4	96	990	o.r.
3550	1SB7 563-6MA10-0C.0	1193	375	96.4	96.8	96.8	96.4	0.85	0.86	0.84	0.78	28416	2.50	0.65	5.6	112	1230	o.r.
4000	1SB7 567-6MA10-0C.0	1193	415	96.6	97.0	97.0	96.6	0.86	0.87	0.85	0.81	32018	2.60	0.70	5.8	134	1650	o.r.
4500	1SB7 568-6MA10-0C.0	1194	465	96.8	97.1	97.2	96.8	0.87	0.87	0.85	0.80	35990	2.65	0.70	5.9	150	1880	o.r.
4900	1SB8 632-6MA10-0C.0	1193	520	96.4	96.6	96.4	95.5	0.85	0.86	0.81	0.73	39222	2.50	0.55	5.5	193	1280	o.r.
5300	1SB8 633-6MA10-0C.0	1193	560	96.5	96.7	96.6	95.8	0.85	0.86	0.82	0.74	42424	2.45	0.55	5.5	209	1360	o.r.
5700	1SB8 634-6MA10-0C.0	1193	590	96.6	96.8	96.7	95.9	0.86	0.87	0.83	0.76	45625	2.45	0.55	5.5	227	1850	o.r.
6200	1SB8 637-6MA10-0C.0	1193	640	96.7	96.9	96.8	96.1	0.86	0.87	0.84	0.77	49628	2.45	0.55	5.5	247	1650	o.r.
6450	1SB8 638-6MA10-0C.0	1193	670	96.8	97.0	96.8	96.1	0.86	0.87	0.83	0.76	51629	2.50	0.55	5.5	264	1880	o.r.
7350	1SB8 712-6MA10-0C.0	1194	760	97.0	97.2	97.1	96.5	0.86	0.87	0.84	0.78	58783	2.40	0.55	5.5	331	1470	o.r.
8100	1SB8 713-6MA10-0C.0	1194	840	97.1	97.3	97.3	96.8	0.86	0.87	0.86	0.81	64782	2.25	0.50	5.5	374	1670	o.r.
8700	1SB8 714-6MA10-0C.0	1194	890	97.1	97.4	97.4	96.9	0.87	0.88	0.87	0.82	69580	2.30	0.50	5.5	424	1980	o.r.
9650	1SB8 717-6MA10-0C.0	1194	980	97.3	97.5	97.5	97.0	0.87	0.88	0.87	0.82	77178	2.40	0.55	5.5	478	2300	o.r.
10000	1SB8 718-6MA10-0C.0	1195	1040	97.4	97.5	97.5	96.9	0.87	0.87	0.85	0.78	79910	2.50	0.50	5.5	520	2930	o.r.
8-pole: n_{sync} = 900 rpm at 60 Hz																		
960	1SB7 452-8MA10-0A.0	889	108	94.2	95.2	95.5	95.2	0.79	0.81	0.77	0.68	10312	1.80	0.55	4.5	25	1150	o.r.
990	1SB7 452-8MA10-0C.0	889	110	94.2	95.2	95.5	95.2	0.81	0.82	0.79	0.70	10634	1.95	0.45	4.5	32	1690	o.r.
1050	1SB7 453-8MA10-0A.0	890	118	94.5	95.4	95.5	95.1	0.80	0.81	0.76	0.65	11266	1.90	0.60	4.5	28	1310	o.r.
1060	1SB7 453-8MA10-0C.0	891	118	94.6	95.4	95.6	95.1	0.81	0.82	0.78	0.67	11361	2.10	0.50	5.0	36	1870	o.r.
1100	1SB7 454-8MA10-0A.0	890	124	94.5	95.4	95.7	95.3	0.80	0.81	0.78	0.68	11803	1.90	0.60	4.5	31	1350	o.r.
1120	1SB7 454-8MA10-0C.0	891	126	94.7	95.5	95.7	95.3	0.82	0.82	0.79	0.70	12004	2.10	0.50	5.0	40	1860	o.r.
1220	1SB7 457-8MA10-0A.0	891	140	95.0	95.6	95.6	95.1	0.81	0.80	0.74	0.62	13075	2.20	0.65	5.0	35	1930	o.r.
1240	1SB7 457-8MA10-0C.0	892	138	95.1	95.7	95.7	95.1	0.82	0.82	0.76	0.65	13275	2.45	0.60	5.5	45	2400	o.r.
1300	1SB7 458-8MA10-0A.0	892	148	95.1	95.7	95.7	95.2	0.81	0.80	0.75	0.62	13917	2.35	0.70	5.5	39	2200	o.r.
1330	1SB7 458-8MA10-0C.0	892	148	95.2	95.8	95.8	95.2	0.82	0.82	0.77	0.65	14238	2.54	0.60	5.5	50	2450	o.r.
1400	1SB7 502-8MA10-0A.0	894	164	95.7	96.0	96.2	95.8	0.80	0.78	0.76	0.65	14954	2.40	0.80	4.6	46	2160	o.r.
1600	1SB7 503-8MA10-0A.0	893	180	95.7	96.3	96.4	96.1	0.81	0.81	0.78	0.68	17110	2.20	0.75	4.4	51	2290	o.r.
1750	1SB7 503-8MA10-0C.0	893	194	95.7	96.2	96.4	96.1	0.81	0.82	0.78	0.69	18714	2.25	0.60	4.2	65	2340	o.r.
1900	1SB7 504-8MA10-0C.0	893	210	95.9	96.3	96.5	96.2	0.82	0.82	0.79	0.70	20318	2.30	0.60	4.3	72	2810	o.r.
1800	1SB7 504-8MA10-0A.0	893	200	95.9	96.4	96.6	96.3	0.81	0.82	0.79	0.70	19248	2.15	0.75	4.4	56	2420	o.r.
2000	1SB7 507-8MA10-0A.0	894	225	96.0	96.4	96.5	96.1	0.81	0.81	0.76	0.65	21363	2.40	0.85	4.7	63	2730	o.r.
2100	1SB7 507-8MA10-0C.0	893	230	96.0	96.4	96.6	96.3	0.82	0.83	0.79	0.70	22456	2.35	0.65	4.4	80	3120	o.r.

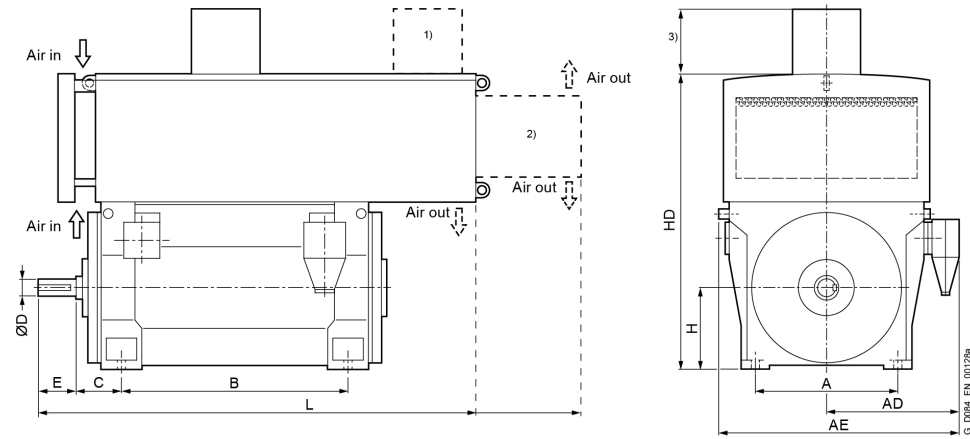
Innomotics HV M - 1SB. IC666 6600 V / 60 Hz B3 (IM 1001)																		
Rated power IEC	Article No.	Speed	Rated current I_R	Efficiency				Power factor				Torque T_R	Breakdown torque T_B/ T_R	Locked rotor torque T_{LR}/ T_R	Locked rotor current I_{LR}/ I_R	Inertia		
				5/4 load	4/4 load	3/4 load	2/4 load	5/4 load	4/4 load	3/4 load	2/4 load					motor	external	Startup max T/TR
kW		rpm	A	%	%	%	%	$\cos \varphi$	$\cos \varphi$	$\cos \varphi$	$\cos \varphi$	Nm	[-]	[-]	[-]	kgm ²	kgm ²	[-]
2200	1SB7 508-8MA10-0C.0	894	245	96.2	96.5	96.6	96.2	0.82	0.82	0.77	0.67	23499	2.60	0.70	4.8	88	3500	o.r.
2200	1SB7 508-8MA10-0A.0	893	245	96.1	96.5	96.7	96.4	0.81	0.82	0.78	0.68	23526	2.30	0.85	4.6	69	2940	o.r.
2500	1SB7 563-8MA10-0C.0	894	275	96.0	96.4	96.7	96.4	0.82	0.82	0.81	0.74	26704	2.05	0.55	4.6	124	2170	o.r.
2700	1SB7 564-8MA10-0C.0	894	300	96.2	96.5	96.8	96.4	0.83	0.82	0.80	0.73	28840	2.20	0.60	4.9	137	2485	o.r.
3050	1SB7 567-8MA10-0C.0	894	335	96.4	96.5	97.0	96.6	0.82	0.83	0.81	0.74	32579	2.15	0.55	4.8	150	3750	o.r.
3300	1SB7 568-8MA10-0C.0	895	365	96.7	96.6	97.0	96.5	0.83	0.82	0.78	0.70	35210	2.50	0.65	5.5	165	4470	o.r.
4100	1SB8 634-8MA10-0C.0	892	435	95.8	96.3	96.3	95.8	0.84	0.86	0.84	0.78	43893	1.90	0.40	4.2	251	3100	o.r.
4550	1SB8 637-8MA10-0C.0	893	480	96.1	96.5	96.5	96.0	0.85	0.86	0.84	0.78	48655	2.05	0.40	4.5	292	3820	o.r.
4800	1SB8 638-8MA10-0C.0	893	500	96.3	96.7	96.6	96.1	0.86	0.87	0.84	0.78	51329	2.10	0.45	4.7	326	4470	o.r.
5150	1SB8 712-8MA10-0C.0	895	530	96.6	96.9	96.7	96.1	0.87	0.87	0.83	0.75	54948	2.45	0.55	5.3	422	3770	o.r.
5500	1SB8 713-8MA10-0C.0	895	570	96.7	96.9	96.8	96.1	0.87	0.87	0.83	0.74	58683	2.55	0.60	5.5	472	4490	o.r.
6300	1SB8 714-8MA10-0C.0	895	650	96.8	97.1	97.0	96.4	0.87	0.87	0.84	0.77	67219	2.40	0.50	5.2	541	4910	o.r.
6900	1SB8 717-8MA10-0C.0	895	710	96.9	97.2	97.2	96.8	0.87	0.88	0.86	0.80	73620	2.35	0.50	5.2	620	5650	o.r.
7450	1SB8 718-8MA10-0C.0	895	750	97.0	97.3	97.3	96.9	0.88	0.89	0.86	0.81	79489	2.35	0.50	5.2	684	6240	o.r.



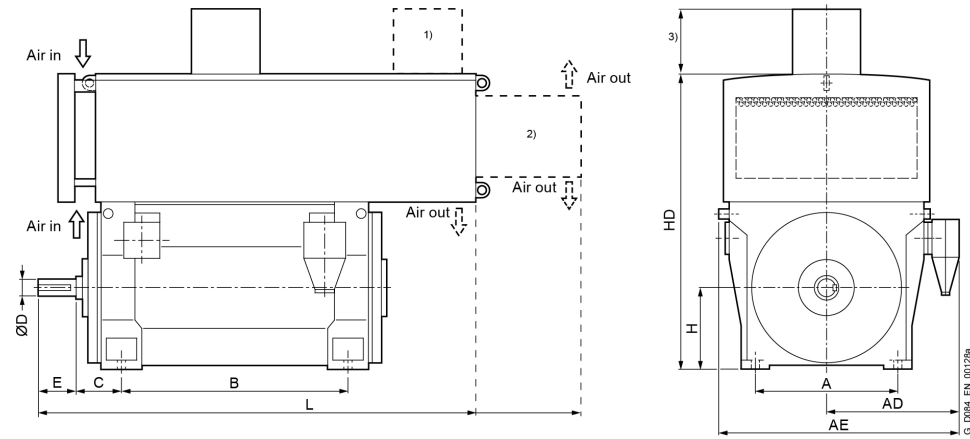
Motor type	Weight	Dimensions										
		A	AD	AE	B	C	D	E	H	HD	L	ML
	kg	mm	mm	mm	mm	mm	mm	mm	mm	mm	mm	mm
Innomotics HV M - 1SB. IC666 6600 V / 60 Hz B3 (IM 1001) - Dimension drawings												
2-pole												
1SB7 453-2MA10-0AA0	5100	850	925	1545	1180	250	95	130	450	3160	2640	o.r.
1SB7 453-2MA10-0AC0	5000	850	925	1545	1180	475	95	130	450	3160	2870	o.r.
1SB7 453-2MA10-0CA0	5200	850	925	1545	1180	250	95	130	450	3160	2640	o.r.
1SB7 453-2MA10-0CC0	5100	850	925	1545	1180	475	95	130	450	3160	2870	o.r.
1SB7 454-2MA10-0AA0	5200	850	925	1545	1180	250	95	130	450	3160	2640	o.r.
1SB7 454-2MA10-0AC0	5100	850	925	1545	1180	475	95	130	450	3160	2870	o.r.
1SB7 454-2MA10-0CA0	5300	850	925	1545	1180	250	95	130	450	3160	2640	o.r.
1SB7 454-2MA10-0CC0	5200	850	925	1545	1180	475	95	130	450	3160	2870	o.r.
1SB7 457-2MA10-0AA0	5550	850	925	1545	1400	250	95	130	450	3160	2850	o.r.
1SB7 457-2MA10-0AC0	5450	850	925	1545	1400	475	95	130	450	3160	3080	o.r.
1SB7 457-2MA10-0CA0	5650	850	925	1545	1400	250	95	130	450	3160	2850	o.r.
1SB7 457-2MA10-0CC0	5600	850	925	1545	1400	475	95	130	450	3160	3080	o.r.
1SB7 458-2MA10-0AA0	5700	850	925	1545	1400	250	95	130	450	3160	2850	o.r.
1SB7 458-2MA10-0AC0	5600	850	925	1545	1400	475	95	130	450	3160	3080	o.r.
1SB7 458-2MA10-0CA0	5850	850	925	1545	1400	250	95	130	450	3160	2850	o.r.
1SB7 458-2MA10-0CC0	5750	850	925	1545	1400	475	95	130	450	3160	3080	o.r.
1SB7 502-2MA10-0CA0	6400	950	1005	1705	1320	250	110	165	500	3370	2920	o.r.
1SB7 502-2MA10-0CC0	6300	950	1005	1705	1320	530	120	165	500	3370	3200	o.r.
1SB7 503-2MA10-0CA0	7050	950	1005	1705	1320	250	110	165	500	3370	2920	o.r.
1SB7 503-2MA10-0CC0	7000	950	1005	1705	1320	530	120	165	500	3370	3200	o.r.
1SB7 504-2MA10-0CA0	7150	950	1005	1705	1320	250	110	165	500	3370	2920	o.r.
1SB7 504-2MA10-0CC0	7100	950	1005	1705	1320	530	120	165	500	3370	3200	o.r.



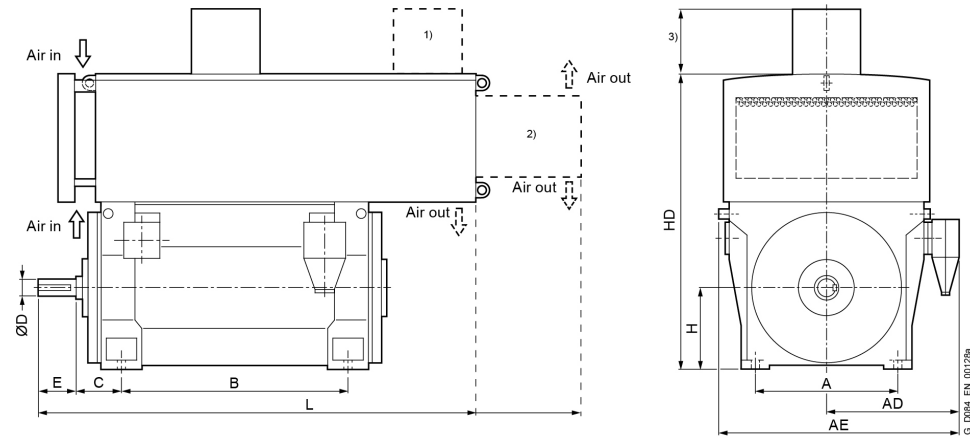
Motor type	Weight	Dimensions										
		A	AD	AE	B	C	D	E	H	HD	L	ML
	kg	mm	mm	mm	mm	mm	mm	mm	mm	mm	mm	mm
Innomotics HV M - 1SB. IC666 6600 V / 60 Hz B3 (IM 1001) - Dimension drawings												
1SB7 507-2MA10-0CA0	7850	950	1005	1705	1500	250	110	165	500	3370	3130	o.r.
1SB7 507-2MA10-0CC0	7800	950	1005	1705	1500	530	120	165	500	3370	3410	o.r.
1SB7 508-2MA10-0CA0	8150	950	1005	1705	1500	250	110	165	500	3370	3130	o.r.
1SB7 508-2MA10-0CC0	8100	950	1005	1705	1500	530	120	165	500	3370	3410	o.r.
1SB7 562-2MA10-0CC0	8750	1060	1290	2060	1400	600	150	200	560	3650	3440	o.r.
1SB7 563-2MA10-0CC0	8950	1060	1290	2060	1400	600	150	200	560	3650	3440	o.r.
1SB7 564-2MA10-0CC0	9250	1060	1290	2060	1400	600	150	200	560	3650	3440	o.r.
1SB7 567-2MA10-0CC0	10100	1060	1290	2060	1600	600	150	200	560	3650	3670	o.r.
1SB7 568-2MA10-0CC0	10700	1060	1290	2060	1600	600	150	200	560	3650	3670	o.r.
1SB8 632-2MA10-0CJ0	10900	1320	1520	2520	1600	560	160	240	630	4400	4060	o.r.
1SB8 633-2MA10-0CJ0	11400	1320	1520	2520	1600	560	160	240	630	4400	4060	o.r.
1SB8 634-2MA10-0CJ0	11900	1320	1520	2520	1600	560	160	240	630	4400	4060	o.r.
1SB8 637-2MA10-0CJ0	12850	1320	1520	2520	1800	560	160	240	630	4400	4260	o.r.
1SB8 638-2MA10-0CJ0	13500	1320	1520	2520	1800	560	160	240	630	4400	4260	o.r.
1SB8 712-2MA10-0CJ0	14800	1500	1620	2720	2000	560	180	240	710	4290	4070	o.r.
1SB8 713-2MA10-0CJ0	15400	1500	1620	2720	2000	560	180	240	710	4290	4070	o.r.
1SB8 714-2MA10-0CJ0	16150	1500	1620	2720	2000	560	180	240	710	4290	4070	o.r.
1SB8 716-2MA10-0CJ0	17300	1500	1620	2720	2240	560	180	240	710	4290	4310	o.r.
1SB8 717-2MA10-0CJ0	18100	1500	1620	2720	2240	560	180	240	710	4290	4310	o.r.
4-pole												
1SB7 453-4MA10-0AA0	5050	850	925	1545	1180	250	130	200	450	3160	2710	o.r.
1SB7 453-4MA10-0AC0	5050	850	925	1545	1180	500	130	200	450	3160	2960	o.r.
1SB7 453-4MA10-0CA0	5200	850	925	1545	1180	250	130	200	450	3160	2710	o.r.



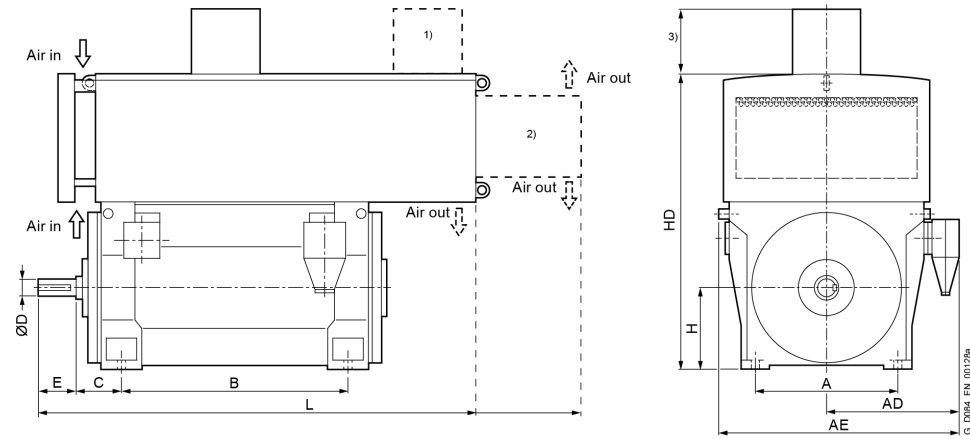
Motor type	Weight	Dimensions										
		A	AD	AE	B	C	D	E	H	HD	L	ML
	kg	mm	mm	mm	mm	mm	mm	mm	mm	mm	mm	mm
Innomotics HV M - 1SB. IC666 6600 V / 60 Hz B3 (IM 1001) - Dimension drawings												
1SB7 453-4MA10-0CC0	5200	850	925	1545	1180	500	130	200	450	3160	2960	o.r.
1SB7 454-4MA10-0CA0	5400	850	925	1545	1180	250	130	200	450	3160	2710	o.r.
1SB7 454-4MA10-0CC0	5400	850	925	1545	1180	500	130	200	450	3160	2960	o.r.
1SB7 454-4MA10-0AA0	5200	850	925	1545	1180	250	130	200	450	3160	2710	o.r.
1SB7 454-4MA10-0AC0	5250	850	925	1545	1180	500	130	200	450	3160	2960	o.r.
1SB7 457-4MA10-0CA0	6000	850	925	1545	1400	250	130	200	450	3160	2920	o.r.
1SB7 457-4MA10-0CC0	6000	850	925	1545	1400	500	130	200	450	3160	3170	o.r.
1SB7 457-4MA10-0AA0	5850	850	925	1545	1400	250	130	200	450	3160	2920	o.r.
1SB7 457-4MA10-0AC0	5850	850	925	1545	1400	500	130	200	450	3160	3170	o.r.
1SB7 458-4MA10-0CA0	6200	850	925	1545	1400	250	130	200	450	3160	2920	o.r.
1SB7 458-4MA10-0CC0	6250	850	925	1545	1400	500	130	200	450	3160	3170	o.r.
1SB7 458-4MA10-0AA0	6050	850	925	1545	1400	250	130	200	450	3160	2920	o.r.
1SB7 458-4MA10-0AC0	6100	850	925	1545	1400	500	130	200	450	3160	3170	o.r.
1SB7 503-4MA10-0AA0	7150	950	1005	1705	1320	315	160	240	500	3370	3060	o.r.
1SB7 503-4MA10-0AC0	7250	950	1005	1705	1320	560	170	240	500	3370	3300	o.r.
1SB7 503-4MA10-0CA0	7300	950	1005	1705	1320	315	160	240	500	3370	3060	o.r.
1SB7 503-4MA10-0CC0	7400	950	1005	1705	1320	560	170	240	500	3370	3300	o.r.
1SB7 504-4MA10-0AA0	7450	950	1005	1705	1320	315	160	240	500	3370	3060	o.r.
1SB7 504-4MA10-0AC0	7550	950	1005	1705	1320	560	170	240	500	3370	3300	o.r.
1SB7 504-4MA10-0CA0	7600	950	1005	1705	1320	315	160	240	500	3370	3060	o.r.
1SB7 504-4MA10-0CC0	7700	950	1005	1705	1320	560	170	240	500	3370	3300	o.r.
1SB7 507-4MA10-0CA0	8300	950	1005	1705	1500	315	160	240	500	3370	3270	o.r.
1SB7 507-4MA10-0CC0	8350	950	1005	1705	1500	560	170	240	500	3370	3510	o.r.



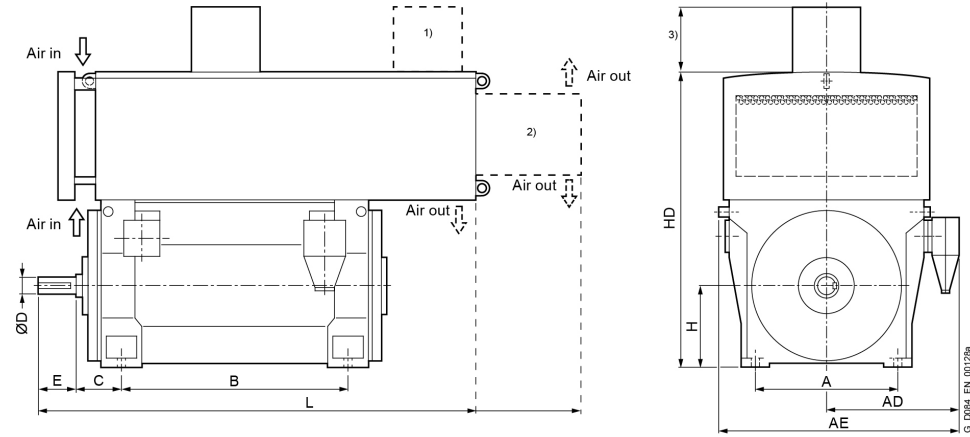
Motor type	Weight	Dimensions										
		A	AD	AE	B	C	D	E	H	HD	L	ML
	kg	mm	mm	mm	mm	mm	mm	mm	mm	mm	mm	mm
Innomotics HV M - 1SB. IC666 6600 V / 60 Hz B3 (IM 1001) - Dimension drawings												
1SB7 507-4MA10-0AA0	8150	950	1005	1705	1500	315	160	240	500	3370	3270	o.r.
1SB7 507-4MA10-0AC0	8200	950	1005	1705	1500	560	170	240	500	3370	3510	o.r.
1SB7 508-4MA10-0AA0	8500	950	1005	1705	1500	315	160	240	500	3370	3270	o.r.
1SB7 508-4MA10-0AC0	8550	950	1005	1705	1500	560	170	240	500	3370	3510	o.r.
1SB7 508-4MA10-0CA0	8650	950	1005	1705	1500	315	160	240	500	3370	3270	o.r.
1SB7 508-4MA10-0CC0	8750	950	1005	1705	1500	560	170	240	500	3370	3510	o.r.
1SB7 563-4MA10-0CA0	9000	1060	1290	2060	1400	335	190	280	560	3650	3250	o.r.
1SB7 563-4MA10-0CC0	9050	1060	1290	2060	1400	600	190	280	560	3650	3520	o.r.
1SB7 564-4MA10-0CA0	9500	1060	1290	2060	1400	335	190	280	560	3650	3250	o.r.
1SB7 564-4MA10-0CC0	9550	1060	1290	2060	1400	600	190	280	560	3650	3520	o.r.
1SB7 566-4MA10-0CA0	10350	1060	1290	2060	1600	335	190	280	560	3650	3480	o.r.
1SB7 566-4MA10-0CC0	10450	1060	1290	2060	1600	600	190	280	560	3650	3750	o.r.
1SB7 567-4MA10-0CA0	10850	1060	1290	2060	1600	335	190	280	560	3650	3480	o.r.
1SB7 567-4MA10-0CC0	10900	1060	1290	2060	1600	600	190	280	560	3650	3750	o.r.
1SB7 568-4MA10-0CA0	11300	1060	1290	2060	1600	335	190	280	560	3650	3480	o.r.
1SB7 568-4MA10-0CC0	11350	1060	1290	2060	1600	600	190	280	560	3650	3750	o.r.
1SB8 633-4MA10-0CG0	12050	1320	1520	2520	1600	375	200	280	630	4400	3920	o.r.
1SB8 633-4MA10-0CJ0	12150	1320	1520	2520	1600	630	200	280	630	4400	4170	o.r.
1SB8 634-4MA10-0CG0	12650	1320	1520	2520	1600	375	200	280	630	4400	3920	o.r.
1SB8 634-4MA10-0CJ0	12750	1320	1520	2520	1600	630	200	280	630	4400	4170	o.r.
1SB8 637-4MA10-0CG0	13450	1320	1520	2520	1800	375	200	280	630	4400	4120	o.r.
1SB8 637-4MA10-0CJ0	13550	1320	1520	2520	1800	630	200	280	630	4400	4370	o.r.
1SB8 638-4MA10-0CG0	14150	1320	1520	2520	1800	375	200	280	630	4400	4120	o.r.



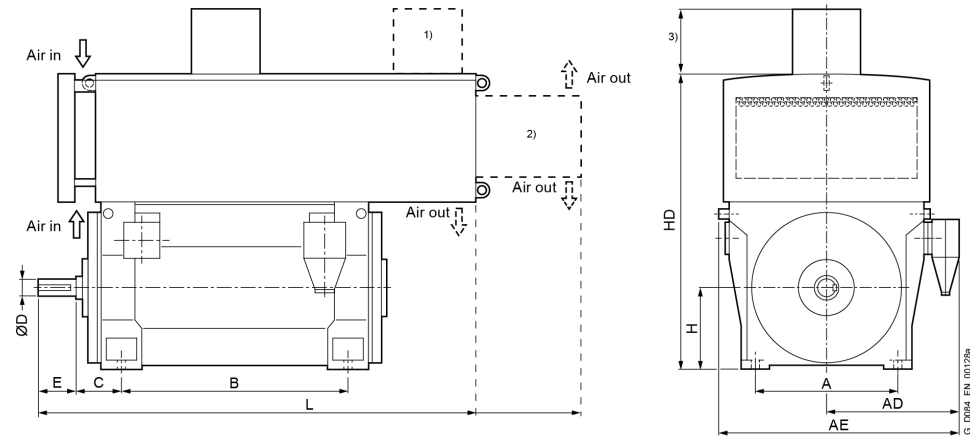
Motor type	Weight	Dimensions										
		A	AD	AE	B	C	D	E	H	HD	L	ML
	kg	mm	mm	mm	mm	mm	mm	mm	mm	mm	mm	mm
Innomotics HV M - 1SB. IC666 6600 V / 60 Hz B3 (IM 1001) - Dimension drawings												
1SB8 638-4MA10-0CJ0	14250	1320	1520	2520	1800	630	200	280	630	4400	4370	o.r.
1SB8 712-4MA10-0CG0	15900	1500	1620	2720	2000	375	220	280	710	4290	3920	o.r.
1SB8 712-4MA10-0CJ0	16050	1500	1620	2720	2000	630	220	280	710	4290	4180	o.r.
1SB8 713-4MA10-0CG0	16600	1500	1620	2720	2000	375	220	280	710	4290	3920	o.r.
1SB8 713-4MA10-0CJ0	16700	1500	1620	2720	2000	630	220	280	710	4290	4180	o.r.
1SB8 714-4MA10-0CG0	17400	1500	1620	2720	2000	375	220	280	710	4290	3920	o.r.
1SB8 714-4MA10-0CJ0	17550	1500	1620	2720	2000	630	220	280	710	4290	4180	o.r.
1SB8 717-4MA10-0CG0	18750	1500	1620	2720	2240	375	220	280	710	4290	4160	o.r.
1SB8 717-4MA10-0CJ0	18900	1500	1620	2720	2240	630	220	280	710	4290	4420	o.r.
1SB8 718-4MA10-0CG0	19300	1500	1620	2720	2240	375	220	280	710	4290	4160	o.r.
1SB8 718-4MA10-0CJ0	19450	1500	1620	2720	2240	630	220	280	710	4290	4420	o.r.
6-pole												
1SB7 452-6MA10-0AA0	4900	850	925	1545	1180	250	130	200	450	3160	2710	o.r.
1SB7 452-6MA10-0AC0	4950	850	925	1545	1180	500	130	200	450	3160	2960	o.r.
1SB7 453-6MA10-0AA0	5050	850	925	1545	1180	250	130	200	450	3160	2710	o.r.
1SB7 453-6MA10-0AC0	5100	850	925	1545	1180	500	130	200	450	3160	2960	o.r.
1SB7 453-6MA10-0CA0	5200	850	925	1545	1180	250	130	200	450	3160	2710	o.r.
1SB7 453-6MA10-0CC0	5250	850	925	1545	1180	500	130	200	450	3160	2960	o.r.
1SB7 454-6MA10-0AA0	5250	850	925	1545	1180	250	130	200	450	3160	2710	o.r.
1SB7 454-6MA10-0AC0	5250	850	925	1545	1180	500	130	200	450	3160	2960	o.r.
1SB7 454-6MA10-0CA0	5400	850	925	1545	1180	250	130	200	450	3160	2710	o.r.
1SB7 454-6MA10-0CC0	5450	850	925	1545	1180	500	130	200	450	3160	2960	o.r.
1SB7 457-6MA10-0AA0	5700	850	925	1545	1400	250	130	200	450	3160	2920	o.r.



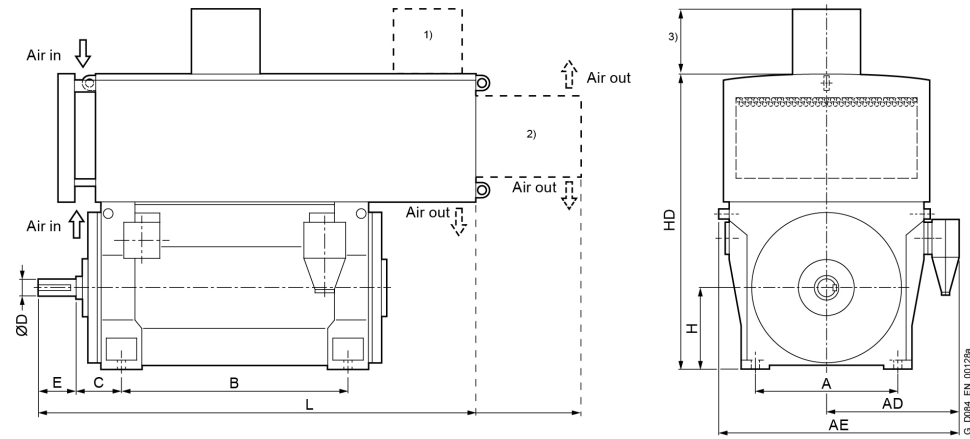
Motor type	Weight kg	Dimensions										
		A mm	AD mm	AE mm	B mm	C mm	D mm	E mm	H mm	HD mm	L mm	ML mm
Innomotics HV M - 1SB. IC666 6600 V / 60 Hz B3 (IM 1001) - Dimension drawings												
1SB7 457-6MA10-0AC0	5750	850	925	1545	1400	500	130	200	450	3160	3170	o.r.
1SB7 457-6MA10-0CA0	5900	850	925	1545	1400	250	130	200	450	3160	2920	o.r.
1SB7 457-6MA10-0CC0	5900	850	925	1545	1400	500	130	200	450	3160	3170	o.r.
1SB7 458-6MA10-0AA0	6000	850	925	1545	1400	250	130	200	450	3160	2920	o.r.
1SB7 458-6MA10-0AC0	6000	850	925	1545	1400	500	130	200	450	3160	3170	o.r.
1SB7 458-6MA10-0CA0	6200	850	925	1545	1400	250	130	200	450	3160	2920	o.r.
1SB7 458-6MA10-0CC0	6200	850	925	1545	1400	500	130	200	450	3160	3170	o.r.
1SB7 502-6MA10-0AA0	6900	950	1005	1705	1320	315	160	240	500	3370	3060	o.r.
1SB7 502-6MA10-0AC0	6950	950	1005	1705	1320	560	170	240	500	3370	3300	o.r.
1SB7 502-6MA10-0CA0	7100	950	1005	1705	1320	315	160	240	500	3370	3060	o.r.
1SB7 502-6MA10-0CC0	7150	950	1005	1705	1320	560	170	240	500	3370	3300	o.r.
1SB7 503-6MA10-0AA0	7150	950	1005	1705	1320	315	160	240	500	3370	3060	o.r.
1SB7 503-6MA10-0AC0	7200	950	1005	1705	1320	560	170	240	500	3370	3300	o.r.
1SB7 503-6MA10-0CA0	7350	950	1005	1705	1320	315	160	240	500	3370	3060	o.r.
1SB7 503-6MA10-0CC0	7450	950	1005	1705	1320	560	170	240	500	3370	3300	o.r.
1SB7 504-6MA10-0AA0	7450	950	1005	1705	1320	315	160	240	500	3370	3060	o.r.
1SB7 504-6MA10-0AC0	7500	950	1005	1705	1320	560	170	240	500	3370	3300	o.r.
1SB7 504-6MA10-0CA0	7650	950	1005	1705	1320	315	160	240	500	3370	3060	o.r.
1SB7 504-6MA10-0CC0	7700	950	1005	1705	1320	560	170	240	500	3370	3300	o.r.
1SB7 507-6MA10-0AA0	8150	950	1005	1705	1500	315	160	240	500	3370	3270	o.r.
1SB7 507-6MA10-0AC0	8200	950	1005	1705	1500	560	170	240	500	3370	3510	o.r.
1SB7 507-6MA10-0CA0	8400	950	1005	1705	1500	315	160	240	500	3370	3270	o.r.
1SB7 507-6MA10-0CC0	8450	950	1005	1705	1500	560	170	240	500	3370	3510	o.r.



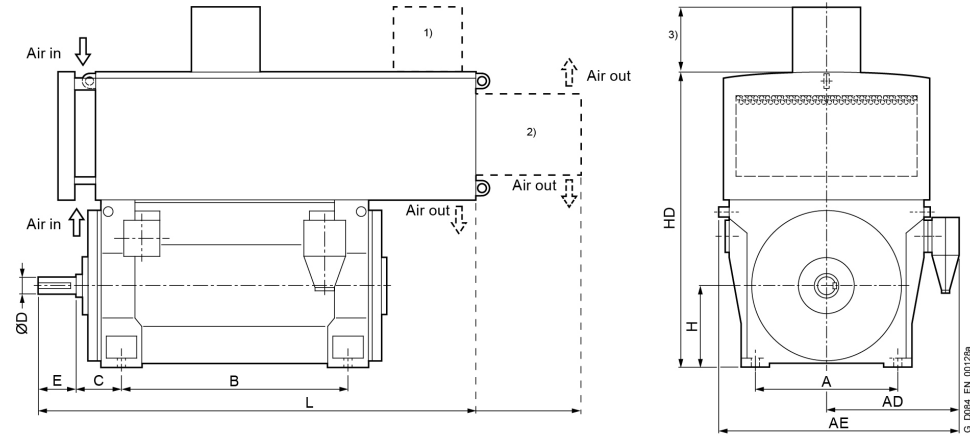
Motor type	Weight	Dimensions										
		A	AD	AE	B	C	D	E	H	HD	L	ML
	kg	mm	mm	mm	mm	mm	mm	mm	mm	mm	mm	mm
Innomotics HV M - 1SB. IC666 6600 V / 60 Hz B3 (IM 1001) - Dimension drawings												
1SB7 508-6MA10-0AA0	8450	950	1005	1705	1500	315	160	240	500	3370	3270	o.r.
1SB7 508-6MA10-0AC0	8500	950	1005	1705	1500	560	170	240	500	3370	3510	o.r.
1SB7 561-6MA10-0CA0	9050	1060	1290	2060	1400	335	190	280	560	3650	3250	o.r.
1SB7 561-6MA10-0CC0	9100	1060	1290	2060	1400	600	190	280	560	3650	3520	o.r.
1SB7 563-6MA10-0CA0	9650	1060	1290	2060	1400	335	190	280	560	3650	3250	o.r.
1SB7 563-6MA10-0CC0	9750	1060	1290	2060	1400	600	190	280	560	3650	3520	o.r.
1SB7 567-6MA10-0CA0	10850	1060	1290	2060	1600	335	190	280	560	3650	3480	o.r.
1SB7 567-6MA10-0CC0	10950	1060	1290	2060	1600	600	190	280	560	3650	3750	o.r.
1SB7 568-6MA10-0CA0	11500	1060	1290	2060	1600	335	190	280	560	3650	3480	o.r.
1SB7 568-6MA10-0CC0	11600	1060	1290	2060	1600	600	190	280	560	3650	3750	o.r.
1SB8 632-6MA10-0CG0	11850	1320	1520	2520	1600	375	200	280	630	4320	3920	o.r.
1SB8 632-6MA10-0CJ0	12000	1320	1520	2520	1600	630	200	280	630	4320	4170	o.r.
1SB8 633-6MA10-0CG0	12400	1320	1520	2520	1600	375	200	280	630	4320	3920	o.r.
1SB8 633-6MA10-0CJ0	12500	1320	1520	2520	1600	630	200	280	630	4320	4170	o.r.
1SB8 634-6MA10-0CG0	12900	1320	1520	2520	1600	375	200	280	630	4320	3920	o.r.
1SB8 634-6MA10-0CJ0	13000	1320	1520	2520	1600	630	200	280	630	4320	4170	o.r.
1SB8 637-6MA10-0CG0	13800	1320	1520	2520	1800	375	200	280	630	4320	4120	o.r.
1SB8 637-6MA10-0CJ0	13900	1320	1520	2520	1800	630	200	280	630	4320	4370	o.r.
1SB8 638-6MA10-0CG0	14250	1320	1520	2520	1800	375	200	280	630	4320	4120	o.r.
1SB8 638-6MA10-0CJ0	14400	1320	1520	2520	1800	630	200	280	630	4320	4370	o.r.
1SB8 712-6MA10-0CG0	15800	1500	1620	2720	2000	375	220	280	710	4290	3920	o.r.
1SB8 712-6MA10-0CJ0	15950	1500	1620	2720	2000	630	220	280	710	4290	4180	o.r.
1SB8 713-6MA10-0CG0	16800	1500	1620	2720	2000	375	220	280	710	4290	3920	o.r.



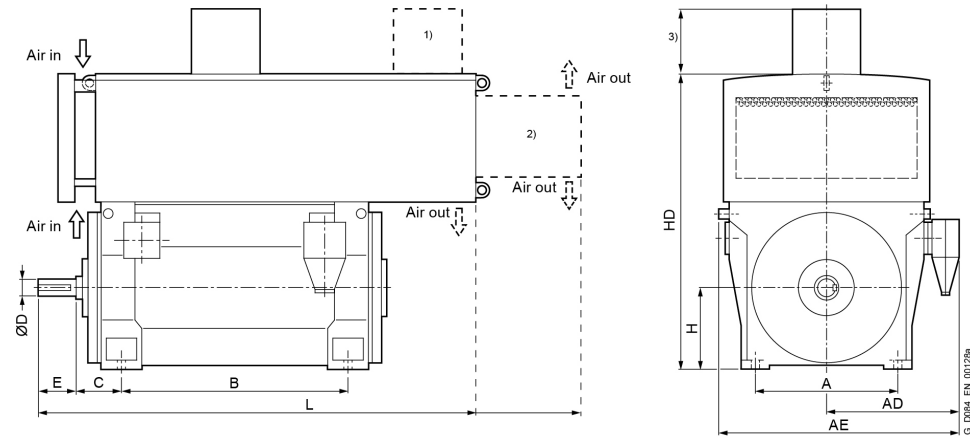
Motor type	Weight	Dimensions										
		A	AD	AE	B	C	D	E	H	HD	L	ML
	kg	mm	mm	mm	mm	mm	mm	mm	mm	mm	mm	mm
Innomotics HV M - 1SB. IC666 6600 V / 60 Hz B3 (IM 1001) - Dimension drawings												
1SB8 713-6MA10-0CJ0	16950	1500	1620	2720	2000	630	220	280	710	4290	4180	o.r.
1SB8 714-6MA10-0CG0	17800	1500	1620	2720	2000	375	220	280	710	4290	3920	o.r.
1SB8 714-6MA10-0CJ0	17900	1500	1620	2720	2000	630	220	280	710	4290	4180	o.r.
1SB8 717-6MA10-0CG0	19450	1500	1620	2720	2240	375	220	280	710	4290	4160	o.r.
1SB8 717-6MA10-0CJ0	19600	1500	1620	2720	2240	630	220	280	710	4290	4420	o.r.
1SB8 718-6MA10-0CG0	20350	1500	1620	2720	2240	375	220	280	710	4290	4160	o.r.
1SB8 718-6MA10-0CJ0	20500	1500	1620	2720	2240	630	220	280	710	4290	4420	o.r.
8-pole												
1SB7 452-8MA10-0AA0	5050	850	925	1545	1180	250	130	200	450	3160	2710	o.r.
1SB7 452-8MA10-0AC0	5100	850	925	1545	1180	500	130	200	450	3160	2960	o.r.
1SB7 452-8MA10-0CA0	5200	850	925	1545	1180	250	130	200	450	3160	2710	o.r.
1SB7 452-8MA10-0CC0	5250	850	925	1545	1180	500	130	200	450	3160	2960	o.r.
1SB7 453-8MA10-0AA0	5250	850	925	1545	1180	250	130	200	450	3160	2710	o.r.
1SB7 453-8MA10-0AC0	5300	850	925	1545	1180	500	130	200	450	3160	2960	o.r.
1SB7 453-8MA10-0CA0	5400	850	925	1545	1180	250	130	200	450	3160	2710	o.r.
1SB7 453-8MA10-0CC0	5450	850	925	1545	1180	500	130	200	450	3160	2960	o.r.
1SB7 454-8MA10-0AA0	5450	850	925	1545	1180	250	130	200	450	3160	2710	o.r.
1SB7 454-8MA10-0AC0	5500	850	925	1545	1180	500	130	200	450	3160	2960	o.r.
1SB7 454-8MA10-0CA0	5650	850	925	1545	1180	250	130	200	450	3160	2710	o.r.
1SB7 454-8MA10-0CC0	5650	850	925	1545	1180	500	130	200	450	3160	2960	o.r.
1SB7 457-8MA10-0AA0	5950	850	925	1545	1400	250	130	200	450	3160	2920	o.r.
1SB7 457-8MA10-0AC0	6000	850	925	1545	1400	500	130	200	450	3160	3170	o.r.
1SB7 457-8MA10-0CA0	6150	850	925	1545	1400	250	130	200	450	3160	2920	o.r.



Motor type	Weight	Dimensions												
		A	AD	AE	B	C	D	E	H	HD	L	ML		
	kg	mm	mm	mm	mm	mm	mm	mm	mm	mm	mm	mm	mm	
Innomotics HV M - 1SB. IC666 6600 V / 60 Hz B3 (IM 1001) - Dimension drawings														
1SB7 457-8MA10-0CC0	6200	850	925	1545	1400	500	130	200	450	3160	3170	o.r.		
1SB7 458-8MA10-0AA0	6250	850	925	1545	1400	250	130	200	450	3160	2920	o.r.		
1SB7 458-8MA10-0AC0	6250	850	925	1545	1400	500	130	200	450	3160	3170	o.r.		
1SB7 458-8MA10-0CA0	6450	850	925	1545	1400	250	130	200	450	3160	2920	o.r.		
1SB7 458-8MA10-0CC0	6450	850	925	1545	1400	500	130	200	450	3160	3170	o.r.		
1SB7 502-8MA10-0AA0	6900	950	1005	1705	1320	315	160	240	500	3370	3060	o.r.		
1SB7 502-8MA10-0AC0	6950	950	1005	1705	1320	560	170	240	500	3370	3300	o.r.		
1SB7 503-8MA10-0AA0	7200	950	1005	1705	1320	315	160	240	500	3370	3060	o.r.		
1SB7 503-8MA10-0AC0	7250	950	1005	1705	1320	560	170	240	500	3370	3300	o.r.		
1SB7 503-8MA10-0CA0	7400	950	1005	1705	1320	315	160	240	500	3370	3060	o.r.		
1SB7 503-8MA10-0CC0	7450	950	1005	1705	1320	560	170	240	500	3370	3300	o.r.		
1SB7 504-8MA10-0CA0	7700	950	1005	1705	1320	315	160	240	500	3370	3060	o.r.		
1SB7 504-8MA10-0CC0	7750	950	1005	1705	1320	560	170	240	500	3370	3300	o.r.		
1SB7 504-8MA10-0AA0	7500	950	1005	1705	1320	315	160	240	500	3370	3060	o.r.		
1SB7 504-8MA10-0AC0	7550	950	1005	1705	1320	560	170	240	500	3370	3300	o.r.		
1SB7 507-8MA10-0AA0	8150	950	1005	1705	1500	315	160	240	500	3370	3270	o.r.		
1SB7 507-8MA10-0AC0	8200	950	1005	1705	1500	560	170	240	500	3370	3510	o.r.		
1SB7 507-8MA10-0CA0	8400	950	1005	1705	1500	315	160	240	500	3370	3270	o.r.		
1SB7 507-8MA10-0CC0	8500	950	1005	1705	1500	560	170	240	500	3370	3510	o.r.		
1SB7 508-8MA10-0CA0	8750	950	1005	1705	1500	315	160	240	500	3370	3270	o.r.		
1SB7 508-8MA10-0CC0	8800	950	1005	1705	1500	560	170	240	500	3370	3510	o.r.		
1SB7 508-8MA10-0AA0	8500	950	1005	1705	1500	315	160	240	500	3370	3270	o.r.		
1SB7 508-8MA10-0AC0	8550	950	1005	1705	1500	560	170	240	500	3370	3510	o.r.		



Motor type	Weight	Dimensions										
		A	AD	AE	B	C	D	E	H	HD	L	ML
	kg	mm	mm	mm	mm	mm	mm	mm	mm	mm	mm	mm
Innomotics HV M - 1SB. IC666 6600 V / 60 Hz B3 (IM 1001) - Dimension drawings												
1SB7 563-8MA10-0CA0	9400	1060	1075	1845	1400	335	190	280	560	3650	3250	o.r.
1SB7 563-8MA10-0CC0	9500	1060	1075	1845	1400	600	190	280	560	3650	3520	o.r.
1SB7 564-8MA10-0CA0	9850	1060	1075	1845	1400	335	190	280	560	3650	3250	o.r.
1SB7 564-8MA10-0CC0	9900	1060	1075	1845	1400	600	190	280	560	3650	3520	o.r.
1SB7 567-8MA10-0CA0	10750	1060	1075	1845	1600	335	190	280	560	3650	3480	o.r.
1SB7 567-8MA10-0CC0	10850	1060	1075	1845	1600	600	190	280	560	3650	3750	o.r.
1SB7 568-8MA10-0CA0	11250	1060	1075	1845	1600	335	190	280	560	3650	3480	o.r.
1SB7 568-8MA10-0CC0	11350	1060	1075	1845	1600	600	190	280	560	3650	3750	o.r.
1SB8 634-8MA10-0CG0	11950	1320	1520	2520	1600	375	200	280	630	4320	3920	o.r.
1SB8 634-8MA10-0CJ0	12050	1320	1520	2520	1600	630	200	280	630	4320	4170	o.r.
1SB8 637-8MA10-0CG0	13200	1320	1520	2520	1800	375	200	280	630	4320	4120	o.r.
1SB8 637-8MA10-0CJ0	13300	1320	1520	2520	1800	630	200	280	630	4320	4370	o.r.
1SB8 638-8MA10-0CG0	13900	1320	1520	2520	1800	375	200	280	630	4320	4120	o.r.
1SB8 638-8MA10-0CJ0	14000	1320	1520	2520	1800	630	200	280	630	4320	4370	o.r.
1SB8 712-8MA10-0CG0	15100	1500	1620	2720	2000	375	220	280	710	4210	3920	o.r.
1SB8 712-8MA10-0CJ0	15300	1500	1620	2720	2000	630	220	280	710	4210	4180	o.r.
1SB8 713-8MA10-0CG0	15900	1500	1620	2720	2000	375	220	280	710	4210	3920	o.r.
1SB8 713-8MA10-0CJ0	16100	1500	1620	2720	2000	630	220	280	710	4210	4180	o.r.
1SB8 714-8MA10-0CG0	17050	1500	1620	2720	2000	375	220	280	710	4210	3920	o.r.
1SB8 714-8MA10-0CJ0	17250	1500	1620	2720	2000	630	220	280	710	4210	4180	o.r.
1SB8 717-8MA10-0CG0	18750	1500	1620	2720	2240	375	220	280	710	4210	4160	o.r.
1SB8 717-8MA10-0CJ0	18950	1500	1620	2720	2240	630	220	280	710	4210	4420	o.r.
1SB8 718-8MA10-0CG0	19800	1500	1620	2720	2240	375	220	280	710	4210	4160	o.r.



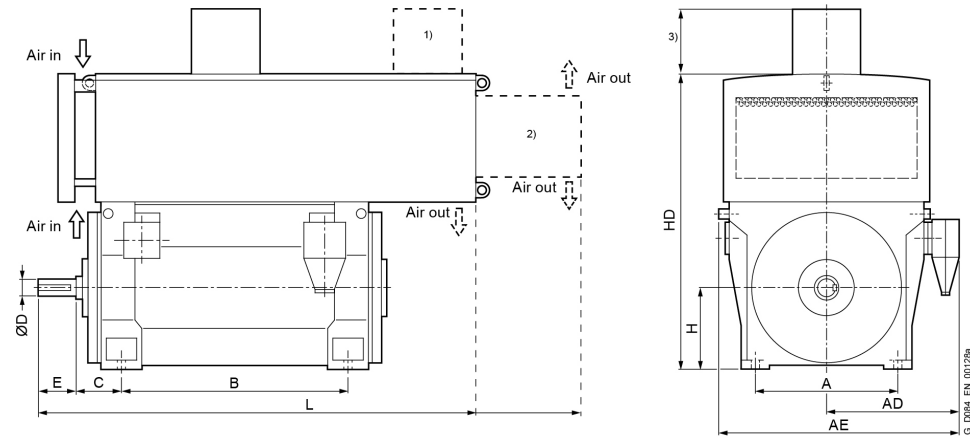
Motor type	Weight	Dimensions											
		A	AD	AE	B	C	D	E	H	HD	L	ML	
	kg	mm	mm	mm	mm	mm	mm	mm	mm	mm	mm	mm	mm
Innomotics HV M - 1SB. IC666 6600 V / 60 Hz B3 (IM 1001) - Dimension drawings													
1SB8 718-8MA10-0CJ0	20000	1500	1620	2720	2240	630	220	280	710	4210	4420	o.r.	

Innomotics HV M - 1SB. IC666 10000 V / 50 Hz B3 (IM 1001)																		
Rated power IEC	Article No.	Speed	Rated current I_R	Efficiency				Power factor				Torque T_R	Breakdown torque T_B/ T_R	Locked rotor torque T_{LR}/ T_R	Locked rotor current I_{LR}/ I_R	Inertia		
				5/4 load	4/4 load	3/4 load	2/4 load	5/4 load	4/4 load	3/4 load	2/4 load					motor	external	Startup max T/TR
kW		rpm	A	%	%	%	%	cos φ	cos φ	cos φ	cos φ	Nm	[-]	[-]	[-]	kgm ²	kgm ²	[-]
2-pole: n_{sync} = 3000 rpm at 50 Hz																		
1260	1SB7 453-2MA80-0A.2	2979	85	95.2	95.7	95.8	95.1	0.88	0.89	0.88	0.82	4040	2.40	0.55	5.8	10	60	o.r.
1280	1SB7 453-2MA80-0C.2	2981	87	95.3	95.7	95.8	95.2	0.88	0.89	0.89	0.84	4103	2.45	0.60	5.5	14	100	o.r.
1400	1SB7 454-2MA80-0C.2	2981	94	95.5	95.8	95.8	95.1	0.89	0.90	0.89	0.84	4485	2.60	0.65	6.0	15	100	o.r.
1400	1SB7 454-2MA80-0A.2	2979	94	95.2	95.8	96.0	95.6	0.88	0.90	0.89	0.86	4493	2.40	0.55	5.8	11	60	o.r.
1600	1SB7 457-2MA80-0A.2	2980	106	95.6	96.0	96.1	95.5	0.89	0.90	0.89	0.84	5129	2.60	0.60	5.8	12	70	o.r.
1600	1SB7 457-2MA80-0C.2	2981	106	95.6	96.0	96.1	95.5	0.89	0.90	0.90	0.86	5128	2.60	0.65	6.0	16	120	o.r.
1800	1SB7 458-2MA80-0A.2	2980	120	95.8	96.2	96.3	95.8	0.89	0.90	0.89	0.85	5770	2.70	0.60	6.0	13	70	o.r.
1800	1SB7 458-2MA80-0C.2	2981	120	95.8	96.2	96.3	95.8	0.90	0.90	0.90	0.86	5768	2.65	0.65	6.0	18	120	o.r.
1920	1SB7 503-2MA80-0A.2	2973	130	95.6	96.1	96.3	96.0	0.88	0.89	0.89	0.85	6168	2.60	0.50	5.0	15	60	o.r.
2000	1SB7 503-2MA80-0C.2	2978	134	95.8	96.2	96.4	96.1	0.89	0.89	0.89	0.86	6419	2.45	0.55	4.7	20	142	o.r.
2000	1SB7 504-2MA80-0A.2	2975	134	95.8	96.2	96.4	96.0	0.89	0.89	0.88	0.84	6420	2.85	0.70	5.6	15	66	o.r.
2100	1SB7 504-2MA80-0C.2	2979	140	96.0	96.3	96.5	96.1	0.90	0.90	0.90	0.86	6735	2.65	0.70	5.1	21	142	o.r.
2240	1SB7 507-2MA80-0A.2	2976	150	96.1	96.4	96.7	96.4	0.90	0.90	0.90	0.86	7189	2.85	0.70	5.8	18	78	o.r.
2360	1SB7 507-2MA80-0C.2	2979	156	96.2	96.6	96.8	96.5	0.91	0.91	0.91	0.88	7568	2.65	0.70	5.3	24	156	o.r.
2640	1SB7 508-2MA80-0C.2	2980	172	96.4	96.8	97.0	96.7	0.91	0.92	0.92	0.88	8462	2.75	0.75	5.7	27	164	o.r.
2500	1SB7 508-2MA80-0A.2	2975	164	96.3	96.7	97.0	96.8	0.91	0.91	0.91	0.88	8026	2.75	0.80	5.7	20	84	o.r.
2950	1SB7 562-2MA80-0CC2	2986	194	96.3	96.3	96.1	95.2	0.91	0.91	0.89	0.84	9437	2.95	0.80	6.0	41	230	o.r.
3300	1SB7 563-2MA80-0CC2	2984	215	96.4	96.5	96.4	95.8	0.91	0.91	0.90	0.86	10565	2.55	0.65	5.9	44	260	o.r.
3750	1SB7 564-2MA80-0CC2	2986	245	96.3	96.3	96.0	95.1	0.92	0.91	0.90	0.85	11996	2.95	0.75	6.0	47	265	o.r.
4250	1SB7 567-2MA80-0CC2	2985	275	96.6	96.5	96.4	95.7	0.92	0.92	0.91	0.87	13600	2.75	0.70	5.7	52	295	o.r.
4600	1SB7 568-2MA80-0CC2	2987	300	96.8	96.7	96.5	95.8	0.93	0.92	0.91	0.86	14709	3.10	0.75	6.4	58	320	o.r.
5100	1SB8 633-2MA80-0CJ0	2981	345	96.1	96.5	96.3	95.5	0.86	0.89	0.90	0.89	16337	2.00	0.55	4.7	82	280	o.r.
5600	1SB8 634-2MA80-0CJ2	2983	370	96.4	96.7	96.5	95.6	0.88	0.90	0.90	0.90	17927	2.15	0.60	5.1	90	290	o.r.
6200	1SB8 637-2MA80-0CJ0	2984	405	96.6	96.9	96.6	95.8	0.89	0.91	0.91	0.90	19841	2.35	0.65	5.6	99	300	o.r.
6850	1SB8 638-2MA80-0CJ0	2985	450	96.8	97.1	96.8	96.1	0.89	0.91	0.91	0.90	21914	2.40	0.60	5.7	107	310	o.r.
7150	1SB8 712-2MA80-0CJ0	2988	475	96.4	96.5	96.2	95.1	0.87	0.90	0.89	0.88	22851	2.20	0.50	5.2	149	250	o.r.
8050	1SB8 713-2MA80-0CJ0	2987	530	96.7	96.8	96.5	95.6	0.89	0.91	0.90	0.89	25735	2.20	0.60	5.2	160	220	o.r.
8250	1SB8 714-2MA80-0CJ0	2988	540	96.8	96.9	96.6	95.7	0.88	0.91	0.91	0.89	26366	2.15	0.55	5.1	172	260	o.r.
9050	1SB8 716-2MA80-0CJ0	2988	590	96.9	97.1	96.8	96.0	0.88	0.91	0.91	0.89	28923	2.15	0.50	5.1	184	270	o.r.
9700	1SB8 717-2MA80-0CJ0	2988	630	97.0	97.2	96.9	96.1	0.89	0.91	0.91	0.89	31000	2.20	0.50	5.3	199	280	o.r.
10000	1SB8 718-2MA80-0CJ2	2989	640	97.2	97.3	97.0	96.2	0.90	0.92	0.91	0.90	31948	2.45	0.60	5.9	217	310	o.r.
4-pole: n_{sync} = 1500 rpm at 50 Hz																		
1220	1SB7 453-4MA80-0A.2	1485	84	94.9	95.5	95.6	95.3	0.88	0.88	0.86	0.79	7849	2.70	0.80	6.0	17	320	o.r.
1260	1SB7 453-4MA80-0C.2	1488	86	95.1	95.7	95.9	95.5	0.87	0.88	0.86	0.80	8094	2.50	0.60	5.5	23	350	o.r.
1300	1SB7 454-4MA80-0A.2	1485	88	95.1	95.7	95.8	95.4	0.89	0.89	0.86	0.79	8359	2.85	0.80	6.2	19	375	o.r.
1400	1SB7 454-4MA80-0C.2	1488	95	95.2	95.8	96.0	95.7	0.88	0.89	0.87	0.82	8991	2.50	0.60	5.5	26	360	o.r.

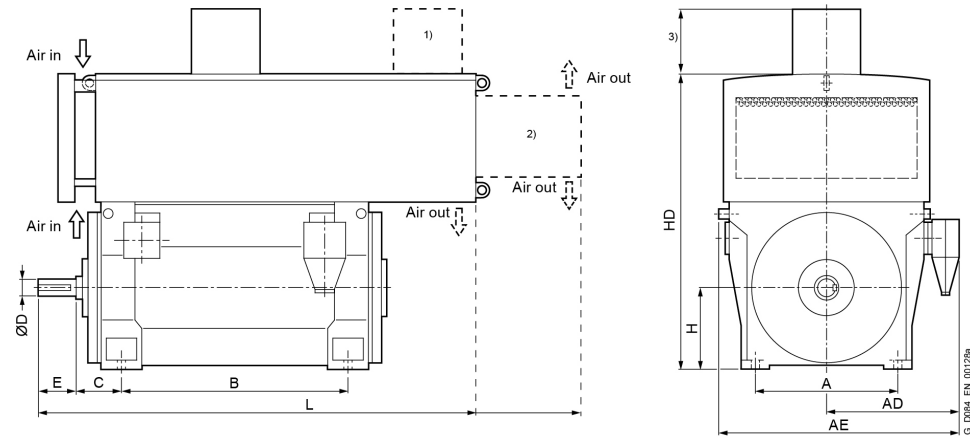
Innomotics HV M - 1SB. IC666 10000 V / 50 Hz B3 (IM 1001)																		
Rated power IEC	Article No.	Speed	Rated current I_R	Efficiency				Power factor				Torque T_R	Breakdown torque T_B/ T_R	Locked rotor torque T_{LR}/ T_R	Locked rotor current I_{LR}/ I_R	Inertia		
				5/4 load	4/4 load	3/4 load	2/4 load	5/4 load	4/4 load	3/4 load	2/4 load					motor	external	Startup max T/TR
kW		rpm	A	%	%	%	%	cos φ	cos φ	cos φ	cos φ	Nm	[-]	[-]	[-]	kgm ²	kgm ²	[-]
1650	1SB7 457-4MA80-0C.2	1488	112	95.7	96.2	96.4	96.1	0.89	0.89	0.88	0.83	10592	2.55	0.60	5.8	30	580	o.r.
1480	1SB7 457-4MA80-0A.2	1485	99	95.2	95.9	96.1	96.0	0.89	0.90	0.89	0.85	9526	2.60	0.80	6.2	22	425	o.r.
1800	1SB7 458-4MA80-0C.2	1489	122	95.9	96.3	96.4	96.1	0.89	0.89	0.87	0.81	11546	2.80	0.65	6.0	33	615	o.r.
1620	1SB7 458-4MA80-0A.2	1485	108	95.5	96.1	96.3	96.2	0.90	0.90	0.89	0.85	10422	2.70	0.85	6.5	24	460	o.r.
1940	1SB7 503-4MA80-0A.2	1487	130	95.6	96.1	96.5	96.2	0.88	0.89	0.88	0.85	12475	2.40	0.80	5.3	37	630	o.r.
1960	1SB7 503-4MA80-0C.2	1488	132	95.7	96.2	96.5	96.2	0.88	0.89	0.89	0.86	12592	2.35	0.60	4.9	45	605	o.r.
2140	1SB7 504-4MA80-0C.2	1491	146	96.0	96.4	96.5	95.9	0.88	0.88	0.86	0.79	13718	2.65	0.65	5.6	50	670	o.r.
2000	1SB7 504-4MA80-0A.2	1486	134	95.7	96.2	96.5	96.3	0.88	0.90	0.90	0.87	12860	2.45	0.90	5.5	40	625	o.r.
2330	1SB7 507-4MA80-0C.2	1490	158	96.1	96.5	96.7	96.2	0.87	0.88	0.87	0.82	14943	2.45	0.55	5.2	55	745	o.r.
2260	1SB7 507-4MA80-0A.2	1487	152	95.8	96.4	96.7	96.5	0.88	0.89	0.90	0.87	14533	2.40	0.85	5.5	46	765	o.r.
2530	1SB7 508-4MA80-0C.2	1491	170	96.3	96.7	96.8	96.4	0.89	0.89	0.89	0.84	16215	2.80	0.75	6.0	62	815	o.r.
2520	1SB7 508-4MA80-0A.2	1488	170	96.1	96.6	96.8	96.5	0.89	0.89	0.89	0.85	16185	2.70	1.00	6.2	50	800	o.r.
2800	1SB7 563-4MA80-0C.2	1492	188	96.5	96.7	97.0	96.6	0.88	0.89	0.87	0.83	17937	2.45	0.65	6.0	80	825	o.r.
3350	1SB7 564-4MA80-0C.2	1491	224	96.5	96.9	97.1	96.9	0.88	0.89	0.89	0.86	21478	2.25	0.60	5.4	90	945	o.r.
3600	1SB7 566-4MA80-0C.2	1492	238	96.7	97.0	97.2	96.9	0.89	0.90	0.89	0.86	23062	2.50	0.75	6.1	100	975	o.r.
4150	1SB7 567-4MA80-0C.2	1491	274	96.8	97.1	97.4	97.1	0.89	0.90	0.90	0.86	26587	2.50	0.75	6.1	110	995	o.r.
4500	1SB7 568-4MA80-0C.2	1492	300	97.0	97.2	97.4	97.1	0.90	0.89	0.89	0.84	28809	2.60	0.75	6.4	119	1015	o.r.
5050	1SB8 633-4MA80-0C.0	1492	340	96.5	96.8	96.7	96.1	0.88	0.89	0.87	0.82	32322	2.50	0.60	5.9	151	780	o.r.
5600	1SB8 634-4MA80-0C.2	1492	370	96.7	96.9	96.9	96.3	0.89	0.90	0.88	0.84	35842	2.50	0.60	6.0	166	1060	o.r.
6150	1SB8 637-4MA80-0C.0	1492	410	96.8	97.1	97.0	96.4	0.88	0.89	0.87	0.81	39362	2.60	0.55	6.0	181	950	o.r.
6750	1SB8 638-4MA80-0C.0	1492	450	97.0	97.2	97.1	96.6	0.88	0.89	0.87	0.81	43202	2.45	0.50	6.0	196	1060	o.r.
7050	1SB8 712-4MA80-0C.0	1491	465	96.7	97.1	97.2	96.8	0.88	0.90	0.90	0.88	45153	2.25	0.50	5.4	259	960	o.r.
7650	1SB8 713-4MA80-0C.0	1492	500	96.9	97.3	97.3	96.9	0.89	0.91	0.90	0.88	48963	2.40	0.50	5.7	284	1040	o.r.
8350	1SB8 714-4MA80-0C.0	1492	540	97.0	97.4	97.4	97.0	0.90	0.91	0.91	0.88	53443	2.50	0.55	6.0	312	1120	o.r.
9250	1SB8 717-4MA80-0C.0	1492	600	97.2	97.5	97.5	97.1	0.90	0.91	0.91	0.88	59203	2.55	0.55	6.0	345	1260	o.r.
9450	1SB8 718-4MA80-0C.0	1493	610	97.2	97.5	97.5	97.1	0.90	0.91	0.90	0.87	60443	2.60	0.50	6.0	362	1450	o.r.
6-pole: n_{sync} = 1000 rpm at 50 Hz																		
860	1SB7 452-6MA80-0A.2	990	61	94.3	95.1	95.3	95.1	0.85	0.85	0.81	0.72	8298	2.35	0.80	5.4	20	510	o.r.
880	1SB7 452-6MA80-0C.2	990	62	94.1	95.0	95.3	95.2	0.85	0.86	0.83	0.75	8492	2.35	0.65	5.0	27	645	o.r.
930	1SB7 453-6MA80-0A.0	990	66	94.4	95.1	95.4	95.2	0.85	0.85	0.82	0.73	8973	2.40	0.80	5.7	22	525	o.r.
950	1SB7 453-6MA80-0C.0	990	67	94.3	95.1	95.4	95.3	0.85	0.86	0.83	0.76	9169	2.40	0.65	5.2	30	650	o.r.
1010	1SB7 454-6MA80-0A.2	990	71	94.5	95.3	95.6	95.4	0.85	0.86	0.83	0.74	9744	2.50	0.85	5.7	24	600	o.r.
1020	1SB7 454-6MA80-0C.2	990	72	94.5	95.3	95.6	95.5	0.86	0.86	0.84	0.76	9843	2.50	0.70	5.4	33	770	o.r.
1120	1SB7 457-6MA80-0A.2	990	78	94.8	95.5	95.8	95.7	0.86	0.87	0.84	0.76	10806	2.50	0.85	5.5	28	670	o.r.
1120	1SB7 457-6MA80-0C.2	990	78	94.8	95.5	95.8	95.7	0.86	0.87	0.85	0.78	10807	2.50	0.70	5.5	36	880	o.r.
1250	1SB7 458-6MA80-0A.2	990	87	94.9	95.6	96.0	96.0	0.87	0.87	0.85	0.78	12062	2.50	0.85	5.5	31	690	o.r.
1250	1SB7 458-6MA80-0C.2	990	87	94.9	95.6	96.0	95.9	0.87	0.87	0.85	0.79	12063	2.50	0.70	5.5	41	895	o.r.

Innomotics HV M - 1SB. IC666 10000 V / 50 Hz B3 (IM 1001)																			
Rated power IEC	Article No.	Speed	Rated current		Efficiency				Power factor				Torque	Breakdown torque	Locked rotor torque	Locked rotor current	Inertia		
			I_R		5/4 load	4/4 load	3/4 load	2/4 load	5/4 load	4/4 load	3/4 load	2/4 load					T_R	T_B/ T_R	T_{LR}/ T_R
kW		rpm	A		%	%	%	%	cos φ	cos φ	cos φ	cos φ	Nm	[-]	[-]	[-]	kgm ²	kgm ²	[-]
1550	1SB7 503-6MA80-0A.2	991	97		95.1	96.0	96.3	96.2	0.85	0.86	0.86	0.81	14955	2.15	0.80	4.6	46	1080	o.r.
1700	1SB7 504-6MA80-0A.2	991	110		95.4	96.1	96.4	96.4	0.86	0.86	0.85	0.80	16390	2.30	0.90	5.0	51	1280	o.r.
1950	1SB7 507-6MA80-0A.2	991	124		95.7	96.2	96.6	96.5	0.86	0.86	0.85	0.79	18794	2.40	0.95	5.2	58	1560	o.r.
2050	1SB7 508-6MA80-0A.2	991	138		95.8	96.3	96.6	96.4	0.87	0.86	0.85	0.78	19753	2.55	1.00	5.6	63	1540	o.r.
2240	1SB7 561-6MA80-0C.2	994	156		95.9	96.2	96.4	96.0	0.85	0.86	0.81	0.75	21531	2.10	0.65	6.0	97	2095	o.r.
2600	1SB7 562-6MA80-0C.2	993	182		95.7	96.3	96.2	95.8	0.85	0.86	0.83	0.78	25011	2.10	0.60	6.0	105	1890	o.r.
2650	1SB7 563-6MA80-0C.2	993	184		95.8	96.4	96.5	96.2	0.85	0.86	0.86	0.82	25514	2.00	0.60	5.5	113	1725	o.r.
3000	1SB7 564-6MA80-0C.2	994	210		96.2	96.5	96.5	96.2	0.86	0.86	0.83	0.77	28898	2.00	0.60	6.0	124	2065	o.r.
3300	1SB7 567-6MA80-0C.2	993	230		96.3	96.6	96.8	96.5	0.86	0.86	0.85	0.80	31736	2.00	0.60	6.0	137	3135	o.r.
3550	1SB7 568-6MA80-0C.2	994	245		96.5	96.8	96.9	96.7	0.86	0.86	0.84	0.78	34108	2.20	0.65	6.0	151	2955	o.r.
4000	1SB8 632-6MA80-0C.2	993	280		96.1	96.5	96.6	96.0	0.85	0.86	0.83	0.75	38466	2.35	0.60	5.4	193	2320	o.r.
4150	1SB8 633-6MA80-0C.0	993	285		96.3	96.6	96.7	96.1	0.85	0.87	0.83	0.75	39909	2.45	0.60	5.5	209	2630	o.r.
4500	1SB8 634-6MA80-0C.2	993	310		96.4	96.7	96.8	96.3	0.86	0.87	0.84	0.77	43275	2.45	0.60	5.5	227	2870	o.r.
4800	1SB8 637-6MA80-0C.0	993	330		96.5	96.8	96.9	96.3	0.86	0.87	0.84	0.77	46160	2.50	0.60	5.5	247	3230	o.r.
5000	1SB8 638-6MA80-0C.2	994	340		96.6	96.9	96.9	96.3	0.86	0.87	0.83	0.74	48035	2.55	0.60	5.5	264	3730	o.r.
5700	1SB8 712-6MA80-0C.0	994	390		96.7	97.1	97.2	96.7	0.86	0.87	0.84	0.77	54760	2.40	0.55	5.5	331	2880	o.r.
6300	1SB8 713-6MA80-0C.2	994	430		96.9	97.2	97.3	96.9	0.86	0.87	0.85	0.79	60524	2.45	0.60	5.5	374	3260	o.r.
6900	1SB8 714-6MA80-0C.0	994	465		97.0	97.3	97.4	97.0	0.87	0.88	0.86	0.79	66288	2.50	0.55	5.5	423	3810	o.r.
7450	1SB8 717-6MA80-0C.0	994	500		97.0	97.4	97.5	97.2	0.87	0.88	0.87	0.82	71572	2.30	0.50	5.5	476	4530	o.r.
8150	1SB8 718-6MA80-0C.0	995	550		97.2	97.5	97.5	97.2	0.87	0.88	0.85	0.79	78218	2.45	0.50	5.5	520	5150	o.r.
8-pole: n _{sync} = 750 rpm at 50 Hz																			
580	1SB7 451-8MA80-0A.0	741	44		93.4	94.4	94.8	94.6	0.81	0.81	0.75	0.64	7472	2.05	0.70	5.3	23	600	o.r.
630	1SB7 452-8MA80-0A.0	741	47		93.4	94.5	94.9	94.8	0.82	0.82	0.77	0.66	8115	2.10	0.70	5.5	25	610	o.r.
720	1SB7 453-8MA80-0A.2	742	54		94.1	95.0	95.3	95.1	0.81	0.81	0.75	0.64	9272	2.25	0.75	5.5	28	940	o.r.
820	1SB7 454-8MA80-0A.2	743	63		94.6	95.3	95.4	95.2	0.81	0.79	0.72	0.58	10545	2.45	0.85	5.4	31	1300	o.r.
900	1SB7 457-8MA80-0A.2	743	68		94.7	95.4	95.6	95.4	0.81	0.80	0.73	0.60	11574	2.50	0.85	5.5	35	1400	o.r.
1000	1SB7 458-8MA80-0A.2	743	76		94.8	95.5	95.7	95.4	0.82	0.80	0.74	0.61	12861	2.55	0.85	5.5	39	1430	o.r.
1120	1SB7 502-8MA80-0C.2	743	81		94.9	95.7	96.1	96.1	0.82	0.83	0.81	0.73	14406	2.15	0.55	4.1	59	2040	o.r.
1220	1SB7 503-8MA80-0A.2	743	89		95.1	95.8	96.2	96.2	0.82	0.83	0.80	0.73	15693	2.10	0.80	4.3	51	2290	o.r.
1250	1SB7 503-8MA80-0C.2	742	91		95.0	95.8	96.2	96.3	0.82	0.83	0.82	0.75	16095	2.10	0.55	4.0	65	2130	o.r.
1280	1SB7 504-8MA80-0A.2	743	93		95.3	95.9	96.3	96.3	0.83	0.83	0.80	0.73	16457	2.20	0.85	4.5	56	2100	o.r.
1300	1SB7 504-8MA80-0C.2	743	93		95.2	95.9	96.3	96.3	0.84	0.84	0.81	0.74	16722	2.25	0.60	4.3	72	2330	o.r.
1400	1SB7 507-8MA80-0A.2	744	102		95.4	96.1	96.4	96.4	0.83	0.83	0.80	0.74	17995	2.25	0.85	4.7	63	2370	o.r.
1480	1SB7 507-8MA80-0C.2	743	106		95.4	96.0	96.4	96.5	0.83	0.84	0.82	0.75	19039	2.20	0.65	4.3	80	2970	o.r.
1600	1SB7 508-8MA80-0A.2	744	116		95.6	96.2	96.5	96.4	0.82	0.83	0.81	0.73	20561	2.30	0.90	4.7	69	2680	o.r.
1620	1SB7 508-8MA80-0C.2	743	116		95.7	96.2	96.5	96.5	0.83	0.84	0.81	0.74	20824	2.35	0.65	4.5	88	3340	o.r.
1880	1SB7 563-8MA80-0C.2	744	136		95.5	96.1	96.4	96.2	0.83	0.83	0.81	0.75	24144	2.10	0.60	4.6	124	3020	o.r.

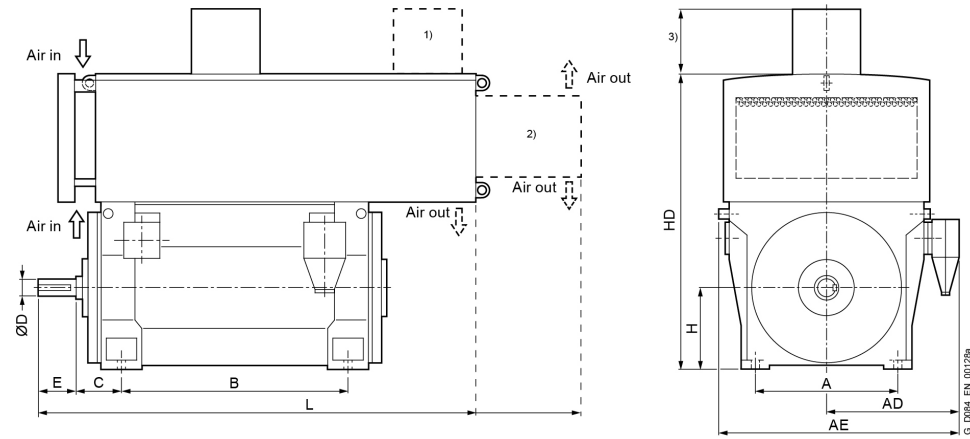
Innomotics HV M - 1SB. IC666 10000 V / 50 Hz B3 (IM 1001)																		
Rated power IEC	Article No.	Speed	Rated current I_R	Efficiency				Power factor				Torque T_R	Breakdown torque T_B/ T_R	Locked rotor torque T_{LR}/ T_R	Locked rotor current I_{LR}/ I_R	Inertia		
				5/4 load	4/4 load	3/4 load	2/4 load	5/4 load	4/4 load	3/4 load	2/4 load					motor	external	Startup max T/TR
kW		rpm	A	%	%	%	%	$\cos \varphi$	$\cos \varphi$	$\cos \varphi$	$\cos \varphi$	Nm	[-]	[-]	[-]	kgm ²	kgm ²	[-]
2080	1SB7 564-8MA80-0C.2	744	150	95.8	96.3	96.5	96.2	0.83	0.83	0.81	0.74	26711	2.20	0.65	4.9	137	3650	o.r.
2300	1SB7 567-8MA80-0C.2	744	164	95.9	96.4	96.7	96.5	0.83	0.84	0.82	0.76	29553	2.10	0.60	4.7	150	4935	o.r.
2550	1SB7 568-8MA80-0C.2	744	182	96.1	96.6	96.8	96.6	0.83	0.84	0.82	0.75	32757	2.20	0.60	4.8	165	6225	o.r.
2800	1SB8 633-8MA80-0C.2	744	198	95.4	95.9	95.9	95.4	0.85	0.85	0.81	0.72	35938	2.15	0.45	4.7	216	2980	o.r.
3250	1SB8 634-8MA80-0C.0	744	230	95.7	96.2	96.2	95.7	0.85	0.85	0.81	0.73	41714	2.20	0.50	4.8	251	4820	o.r.
3600	1SB8 637-8MA80-0C.0	745	255	96.0	96.4	96.3	95.7	0.85	0.84	0.79	0.68	46144	2.40	0.50	5.1	291	5730	o.r.
3800	1SB8 638-8MA80-0C.0	745	270	96.2	96.5	96.3	95.7	0.85	0.84	0.78	0.67	48708	2.50	0.55	5.5	324	6970	o.r.
4250	1SB8 713-8MA80-0C.0	746	275	96.3	96.7	96.7	96.3	0.87	0.87	0.83	0.74	54403	2.40	0.55	5.2	471	4400	o.r.
4800	1SB8 714-8MA80-0C.0	746	310	96.5	96.8	96.8	96.4	0.86	0.86	0.82	0.74	61443	2.40	0.50	5.1	536	4580	o.r.
5250	1SB8 717-8MA80-0C.0	746	340	96.6	97.0	97.0	96.7	0.87	0.88	0.84	0.77	67203	2.40	0.55	5.2	616	5990	o.r.
5500	1SB8 718-8MA80-0C.0	746	370	96.7	97.0	97.1	96.7	0.88	0.88	0.84	0.77	70404	2.50	0.60	5.5	680	6130	o.r.



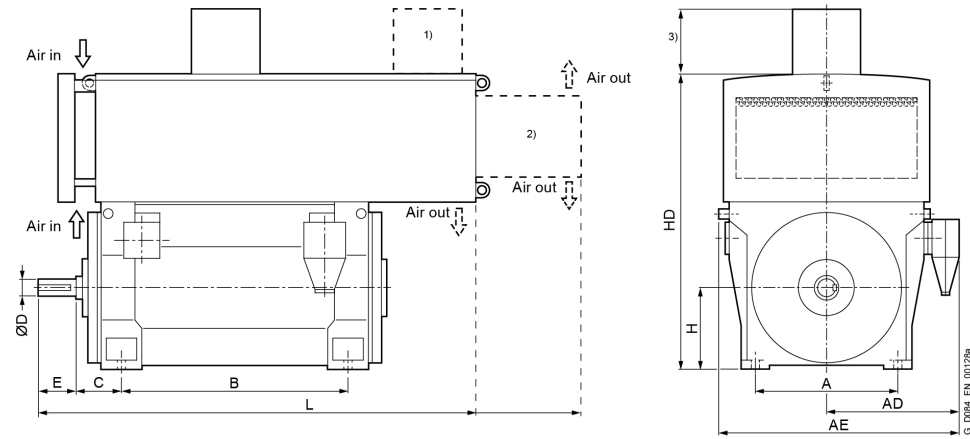
Motor type	Weight	Dimensions											
		A	AD	AE	B	C	D	E	H	HD	L	ML	
	kg	mm	mm	mm	mm	mm	mm	mm	mm	mm	mm	mm	mm
Innomotics HV M - 1SB. IC666 10000 V / 50 Hz B3 (IM 1001) - Dimension drawings													
2-pole													
1SB7 453-2MA80-0AA2	5100	850	1140	1760	1180	250	95	130	450	3160	2640	o.r.	
1SB7 453-2MA80-0AC2	5000	850	1140	1760	1180	475	95	130	450	3160	2870	o.r.	
1SB7 453-2MA80-0CA2	5250	850	1140	1760	1180	250	95	130	450	3160	2640	o.r.	
1SB7 453-2MA80-0CC2	5150	850	1140	1760	1180	475	95	130	450	3160	2870	o.r.	
1SB7 454-2MA80-0CA2	5350	850	1140	1760	1180	250	95	130	450	3160	2640	o.r.	
1SB7 454-2MA80-0CC2	5300	850	1140	1760	1180	475	95	130	450	3160	2870	o.r.	
1SB7 454-2MA80-0AA2	5250	850	1140	1760	1180	250	95	130	450	3160	2640	o.r.	
1SB7 454-2MA80-0AC2	5150	850	1140	1760	1180	475	95	130	450	3160	2870	o.r.	
1SB7 457-2MA80-0AA2	5600	850	1140	1760	1400	250	95	130	450	3160	2850	o.r.	
1SB7 457-2MA80-0AC2	5450	850	1140	1760	1400	475	95	130	450	3160	3080	o.r.	
1SB7 457-2MA80-0CA2	5700	850	1140	1760	1400	250	95	130	450	3160	2850	o.r.	
1SB7 457-2MA80-0CC2	5650	850	1140	1760	1400	475	95	130	450	3160	3080	o.r.	
1SB7 458-2MA80-0AA2	5750	850	1140	1760	1400	250	95	130	450	3160	2850	o.r.	
1SB7 458-2MA80-0AC2	5700	850	1140	1760	1400	475	95	130	450	3160	3080	o.r.	
1SB7 458-2MA80-0CA2	5950	850	1140	1760	1400	250	95	130	450	3160	2850	o.r.	
1SB7 458-2MA80-0CC2	5850	850	1140	1760	1400	475	95	130	450	3160	3080	o.r.	
1SB7 503-2MA80-0AA2	6950	950	1220	1920	1320	250	110	165	500	3370	2920	o.r.	
1SB7 503-2MA80-0AC2	6900	950	1220	1920	1320	530	120	165	500	3370	3200	o.r.	
1SB7 503-2MA80-0CA2	7100	950	1220	1920	1320	250	110	165	500	3370	2920	o.r.	
1SB7 503-2MA80-0CC2	7000	950	1220	1920	1320	530	120	165	500	3370	3200	o.r.	
1SB7 504-2MA80-0AA2	7000	950	1220	1920	1320	250	110	165	500	3370	2920	o.r.	
1SB7 504-2MA80-0AC2	6950	950	1220	1920	1320	530	120	165	500	3370	3200	o.r.	



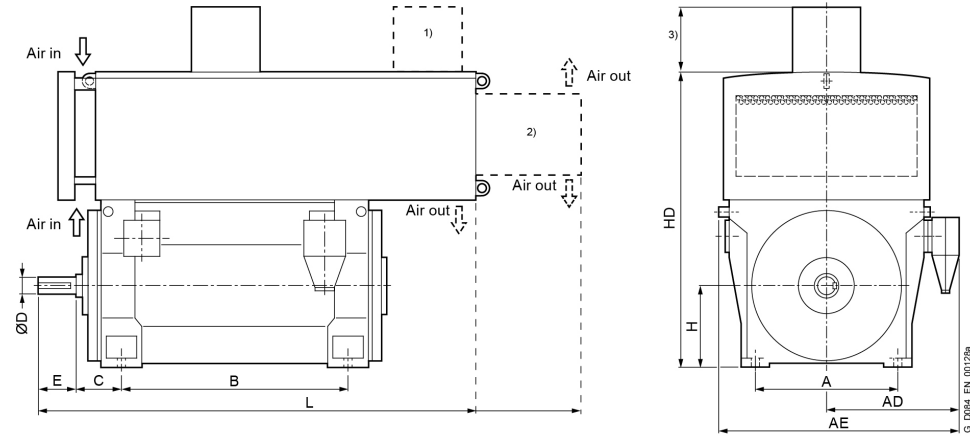
Motor type	Weight	Dimensions										
		A	AD	AE	B	C	D	E	H	HD	L	ML
	kg	mm	mm	mm	mm	mm	mm	mm	mm	mm	mm	mm
Innomotics HV M - 1SB. IC666 10000 V / 50 Hz B3 (IM 1001) - Dimension drawings												
1SB7 504-2MA80-OCA2	7150	950	1220	1920	1320	250	110	165	500	3370	2920	o.r.
1SB7 504-2MA80-OCC2	7100	950	1220	1920	1320	530	120	165	500	3370	3200	o.r.
1SB7 507-2MA80-OAA2	7700	950	1220	1920	1500	250	110	165	500	3370	3130	o.r.
1SB7 507-2MA80-OAC2	7650	950	1220	1920	1500	530	120	165	500	3370	3410	o.r.
1SB7 507-2MA80-OCA2	7850	950	1220	1920	1500	250	110	165	500	3370	3130	o.r.
1SB7 507-2MA80-OCC2	7800	950	1220	1920	1500	530	120	165	500	3370	3410	o.r.
1SB7 508-2MA80-OCA2	8250	950	1220	1920	1500	250	110	165	500	3370	3130	o.r.
1SB7 508-2MA80-OCC2	8200	950	1220	1920	1500	530	120	165	500	3370	3410	o.r.
1SB7 508-2MA80-OAA2	8100	950	1220	1920	1500	250	110	165	500	3370	3130	o.r.
1SB7 508-2MA80-OAC2	8050	950	1220	1920	1500	530	120	165	500	3370	3410	o.r.
1SB7 562-2MA80-OCC2	8600	1060	1290	2060	1400	600	150	200	560	3650	3440	o.r.
1SB7 563-2MA80-OCC2	8900	1060	1290	2060	1400	600	150	200	560	3650	3440	o.r.
1SB7 564-2MA80-OCC2	9150	1060	1290	2060	1400	600	150	200	560	3650	3440	o.r.
1SB7 567-2MA80-OCC2	10050	1060	1290	2060	1600	600	150	200	560	3650	3670	o.r.
1SB7 568-2MA80-OCC2	10600	1060	1290	2060	1600	600	150	200	560	3650	3670	o.r.
1SB8 633-2MA80-OCJ0	11200	1320	1520	2520	1600	560	160	240	630	3210	4060	o.r.
1SB8 634-2MA80-OCJ2	11650	1320	1520	2520	1600	560	160	240	630	3210	4060	o.r.
1SB8 637-2MA80-OCJ0	12600	1320	1520	2520	1800	560	160	240	630	3210	4260	o.r.
1SB8 638-2MA80-OCJ0	13200	1320	1520	2520	1800	560	160	240	630	3210	4260	o.r.
1SB8 712-2MA80-OCJ0	14450	1500	1620	2720	2000	560	180	240	710	4240	4070	o.r.
1SB8 713-2MA80-OCJ0	15150	1500	1620	2720	2000	560	180	240	710	4240	4070	o.r.
1SB8 714-2MA80-OCJ0	15850	1500	1620	2720	2000	560	180	240	710	4240	4070	o.r.
1SB8 716-2MA80-OCJ0	17000	1500	1620	2720	2240	560	180	240	710	4240	4310	o.r.



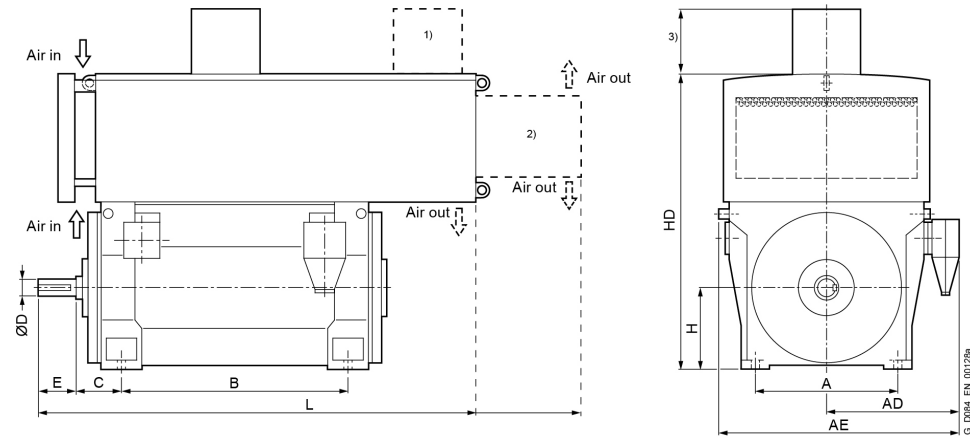
Motor type	Weight	Dimensions													
		A	AD	AE	B	C	D	E	H	HD	L	ML			
	kg	mm	mm	mm	mm	mm	mm	mm	mm	mm	mm	mm	mm		
Innomotics HV M - 1SB. IC666 10000 V / 50 Hz B3 (IM 1001) - Dimension drawings															
1SB8 717-2MA80-0CJ0	17750	1500	1620	2720	2240	560	180	240	710	4240	4310	o.r.			
1SB8 718-2MA80-0CJ2	18750	1500	1620	2720	2240	560	180	240	710	4240	4310	o.r.			
4-pole															
1SB7 453-4MA80-0AA2	5100	850	1140	1760	1180	250	130	200	450	3160	2710	o.r.			
1SB7 453-4MA80-0AC2	5150	850	1140	1760	1180	500	130	200	450	3160	2960	o.r.			
1SB7 453-4MA80-0CA2	5250	850	1140	1760	1180	250	130	200	450	3160	2710	o.r.			
1SB7 453-4MA80-0CC2	5300	850	1140	1760	1180	500	130	200	450	3160	2960	o.r.			
1SB7 454-4MA80-0AA2	5250	850	1140	1760	1180	250	130	200	450	3160	2710	o.r.			
1SB7 454-4MA80-0AC2	5300	850	1140	1760	1180	500	130	200	450	3160	2960	o.r.			
1SB7 454-4MA80-0CA2	5450	850	1140	1760	1180	250	130	200	450	3160	2710	o.r.			
1SB7 454-4MA80-0CC2	5450	850	1140	1760	1180	500	130	200	450	3160	2960	o.r.			
1SB7 457-4MA80-0CA2	6050	850	1140	1760	1400	250	130	200	450	3160	2920	o.r.			
1SB7 457-4MA80-0CC2	6100	850	1140	1760	1400	500	130	200	450	3160	3170	o.r.			
1SB7 457-4MA80-0AA2	5850	850	1140	1760	1400	250	130	200	450	3160	2920	o.r.			
1SB7 457-4MA80-0AC2	5900	850	1140	1760	1400	500	130	200	450	3160	3170	o.r.			
1SB7 458-4MA80-0CA2	6300	850	1140	1760	1400	250	130	200	450	3160	2920	o.r.			
1SB7 458-4MA80-0CC2	6300	850	1140	1760	1400	500	130	200	450	3160	3170	o.r.			
1SB7 458-4MA80-0AA2	6050	850	1140	1760	1400	250	130	200	450	3160	2920	o.r.			
1SB7 458-4MA80-0AC2	6100	850	1140	1760	1400	500	130	200	450	3160	3170	o.r.			
1SB7 503-4MA80-0AA2	7200	950	1220	1920	1320	315	160	240	500	3370	3060	o.r.			
1SB7 503-4MA80-0AC2	7250	950	1220	1920	1320	560	170	240	500	3370	3300	o.r.			
1SB7 503-4MA80-0CA2	7350	950	1220	1920	1320	315	160	240	500	3370	3060	o.r.			
1SB7 503-4MA80-0CC2	7400	950	1220	1920	1320	560	170	240	500	3370	3300	o.r.			



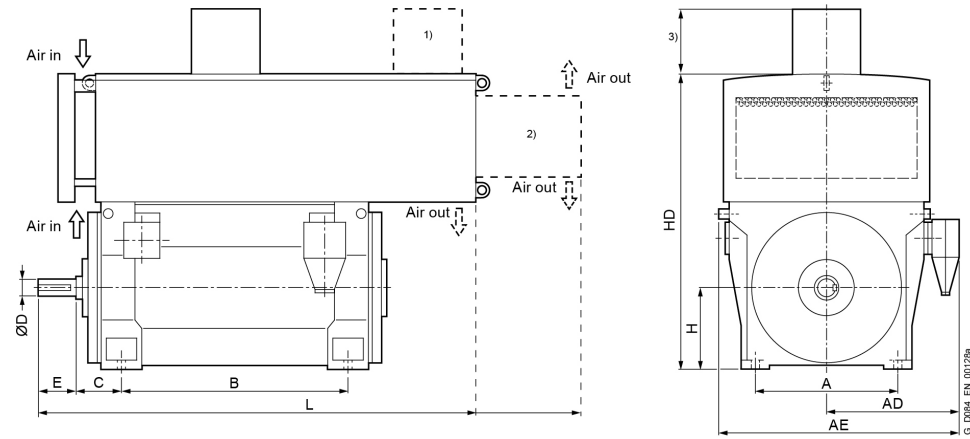
Motor type	Weight	Dimensions										
		A	AD	AE	B	C	D	E	H	HD	L	ML
	kg	mm	mm	mm	mm	mm	mm	mm	mm	mm	mm	mm
Innomotics HV M - 1SB. IC666 10000 V / 50 Hz B3 (IM 1001) - Dimension drawings												
1SB7 504-4MA80-OCA2	7600	950	1220	1920	1320	315	160	240	500	3370	3060	o.r.
1SB7 504-4MA80-OCC2	7650	950	1220	1920	1320	560	170	240	500	3370	3300	o.r.
1SB7 504-4MA80-OAA2	7450	950	1220	1920	1320	315	160	240	500	3370	3060	o.r.
1SB7 504-4MA80-OAC2	7500	950	1220	1920	1320	560	170	240	500	3370	3300	o.r.
1SB7 507-4MA80-OCA2	8300	950	1220	1920	1500	315	160	240	500	3370	3270	o.r.
1SB7 507-4MA80-OCC2	8350	950	1220	1920	1500	560	170	240	500	3370	3510	o.r.
1SB7 507-4MA80-OAA2	8100	950	1220	1920	1500	315	160	240	500	3370	3270	o.r.
1SB7 507-4MA80-OAC2	8200	950	1220	1920	1500	560	170	240	500	3370	3510	o.r.
1SB7 508-4MA80-OCA2	8650	950	1220	1920	1500	315	160	240	500	3370	3270	o.r.
1SB7 508-4MA80-OCC2	8700	950	1220	1920	1500	560	170	240	500	3370	3510	o.r.
1SB7 508-4MA80-OAA2	8450	950	1220	1920	1500	315	160	240	500	3370	3270	o.r.
1SB7 508-4MA80-OAC2	8550	950	1220	1920	1500	560	170	240	500	3370	3510	o.r.
1SB7 563-4MA80-OCA2	8900	1060	1290	2060	1400	335	190	280	560	3650	3250	o.r.
1SB7 563-4MA80-OCC2	9000	1060	1290	2060	1400	600	190	280	560	3650	3520	o.r.
1SB7 564-4MA80-OCA2	9400	1060	1290	2060	1400	335	190	280	560	3650	3250	o.r.
1SB7 564-4MA80-OCC2	9450	1060	1290	2060	1400	600	190	280	560	3650	3520	o.r.
1SB7 566-4MA80-OCA2	10200	1060	1290	2060	1600	335	190	280	560	3650	3480	o.r.
1SB7 566-4MA80-OCC2	10300	1060	1290	2060	1600	600	190	280	560	3650	3750	o.r.
1SB7 567-4MA80-OCA2	10700	1060	1290	2060	1600	335	190	280	560	3650	3480	o.r.
1SB7 567-4MA80-OCC2	10800	1060	1290	2060	1600	600	190	280	560	3650	3750	o.r.
1SB7 568-4MA80-OCA2	11150	1060	1290	2060	1600	335	190	280	560	3650	3480	o.r.
1SB7 568-4MA80-OCC2	11200	1060	1290	2060	1600	600	190	280	560	3650	3750	o.r.
1SB8 633-4MA80-OCG0	11850	1320	1520	2520	1600	375	200	280	630	3210	3920	o.r.



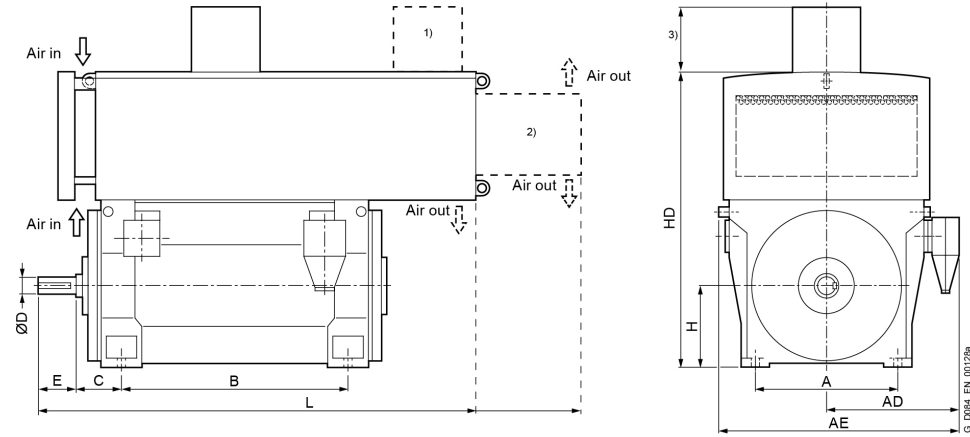
Motor type	Weight	Dimensions												
		A	AD	AE	B	C	D	E	H	HD	L	ML		
	kg	mm	mm	mm	mm	mm	mm	mm	mm	mm	mm	mm	mm	
Innomotics HV M - 1SB. IC666 10000 V / 50 Hz B3 (IM 1001) - Dimension drawings														
1SB8 633-4MA80-0CJ0	11950	1320	1520	2520	1600	630	200	280	630	3210	4170	o.r.		
1SB8 634-4MA80-0CG2	12400	1320	1520	2520	1600	375	200	280	630	3210	3920	o.r.		
1SB8 634-4MA80-0CJ2	12500	1320	1520	2520	1600	630	200	280	630	3210	4170	o.r.		
1SB8 637-4MA80-0CG0	13350	1320	1520	2520	1800	375	200	280	630	3210	4120	o.r.		
1SB8 637-4MA80-0CJ0	13450	1320	1520	2520	1800	630	200	280	630	3210	4370	o.r.		
1SB8 638-4MA80-0CG0	13950	1320	1520	2520	1800	375	200	280	630	3210	4120	o.r.		
1SB8 638-4MA80-0CJ0	14050	1320	1520	2520	1800	630	200	280	630	3210	4370	o.r.		
1SB8 712-4MA80-0CG0	15600	1500	1620	2720	2000	375	220	280	710	4240	3920	o.r.		
1SB8 712-4MA80-0CJ0	15700	1500	1620	2720	2000	630	220	280	710	4240	4180	o.r.		
1SB8 713-4MA80-0CG0	16300	1500	1620	2720	2000	375	220	280	710	4240	3920	o.r.		
1SB8 713-4MA80-0CJ0	16400	1500	1620	2720	2000	630	220	280	710	4240	4180	o.r.		
1SB8 714-4MA80-0CG0	17050	1500	1620	2720	2000	375	220	280	710	4240	3920	o.r.		
1SB8 714-4MA80-0CJ0	17150	1500	1620	2720	2000	630	220	280	710	4240	4180	o.r.		
1SB8 717-4MA80-0CG0	18450	1500	1620	2720	2240	375	220	280	710	4240	4160	o.r.		
1SB8 717-4MA80-0CJ0	18550	1500	1620	2720	2240	630	220	280	710	4240	4420	o.r.		
1SB8 718-4MA80-0CG0	18900	1500	1620	2720	2240	375	220	280	710	4240	4160	o.r.		
1SB8 718-4MA80-0CJ0	19050	1500	1620	2720	2240	630	220	280	710	4240	4420	o.r.		
6-pole														
1SB7 452-6MA80-0AA2	4950	850	1140	1760	1180	250	130	200	450	3160	2710	o.r.		
1SB7 452-6MA80-0AC2	5000	850	1140	1760	1180	500	130	200	450	3160	2960	o.r.		
1SB7 452-6MA80-0CA2	5100	850	1140	1760	1180	250	130	200	450	3160	2710	o.r.		
1SB7 452-6MA80-0CC2	5150	850	1140	1760	1180	500	130	200	450	3160	2960	o.r.		
1SB7 453-6MA80-0AA0	5100	850	1140	1760	1180	250	130	200	450	3160	2710	o.r.		



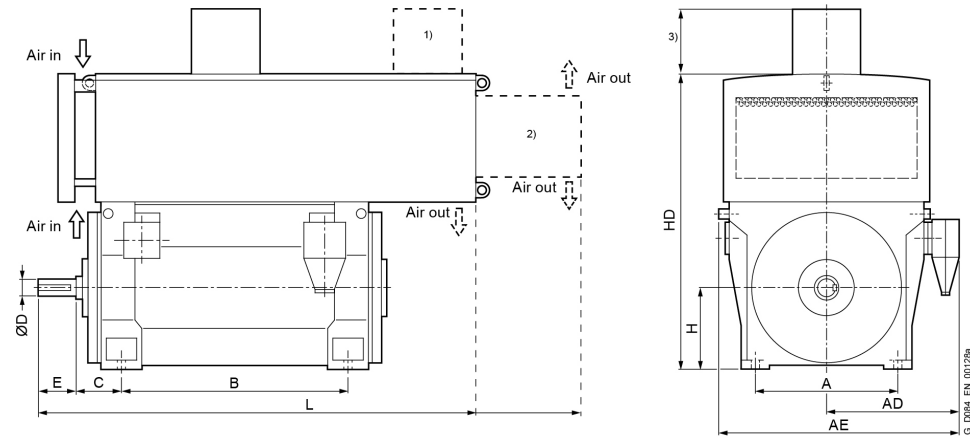
Motor type	Weight	Dimensions										
		A	AD	AE	B	C	D	E	H	HD	L	ML
	kg	mm	mm	mm	mm	mm	mm	mm	mm	mm	mm	mm
Innomotics HV M - 1SB. IC666 10000 V / 50 Hz B3 (IM 1001) - Dimension drawings												
1SB7 453-6MA80-0AC0	5150	850	1140	1760	1180	500	130	200	450	3160	2960	o.r.
1SB7 453-6MA80-0CA0	5250	850	1140	1760	1180	250	130	200	450	3160	2710	o.r.
1SB7 453-6MA80-0CC0	5300	850	1140	1760	1180	500	130	200	450	3160	2960	o.r.
1SB7 454-6MA80-0AA2	5300	850	1140	1760	1180	250	130	200	450	3160	2710	o.r.
1SB7 454-6MA80-0AC2	5300	850	1140	1760	1180	500	130	200	450	3160	2960	o.r.
1SB7 454-6MA80-0CA2	5450	850	1140	1760	1180	250	130	200	450	3160	2710	o.r.
1SB7 454-6MA80-0CC2	5500	850	1140	1760	1180	500	130	200	450	3160	2960	o.r.
1SB7 457-6MA80-0AA2	5750	850	1140	1760	1400	250	130	200	450	3160	2920	o.r.
1SB7 457-6MA80-0AC2	5750	850	1140	1760	1400	500	130	200	450	3160	3170	o.r.
1SB7 457-6MA80-0CA2	5900	850	1140	1760	1400	250	130	200	450	3160	2920	o.r.
1SB7 457-6MA80-0CC2	5950	850	1140	1760	1400	500	130	200	450	3160	3170	o.r.
1SB7 458-6MA80-0AA2	6000	850	1140	1760	1400	250	130	200	450	3160	2920	o.r.
1SB7 458-6MA80-0AC2	6050	850	1140	1760	1400	500	130	200	450	3160	3170	o.r.
1SB7 458-6MA80-0CA2	6200	850	1140	1760	1400	250	130	200	450	3160	2920	o.r.
1SB7 458-6MA80-0CC2	6250	850	1140	1760	1400	500	130	200	450	3160	3170	o.r.
1SB7 503-6MA80-0AA2	7200	950	1220	1920	1320	315	160	240	500	3370	3060	o.r.
1SB7 503-6MA80-0AC2	7250	950	1220	1920	1320	560	170	240	500	3370	3300	o.r.
1SB7 504-6MA80-0AA2	7450	950	1220	1920	1320	315	160	240	500	3370	3060	o.r.
1SB7 504-6MA80-0AC2	7500	950	1220	1920	1320	560	170	240	500	3370	3300	o.r.
1SB7 507-6MA80-0AA2	8200	950	1220	1920	1500	315	160	240	500	3370	3270	o.r.
1SB7 507-6MA80-0AC2	8250	950	1220	1920	1500	560	170	240	500	3370	3510	o.r.
1SB7 508-6MA80-0AA2	8450	950	1220	1920	1500	315	160	240	500	3370	3270	o.r.
1SB7 508-6MA80-0AC2	8550	950	1220	1920	1500	560	170	240	500	3370	3510	o.r.



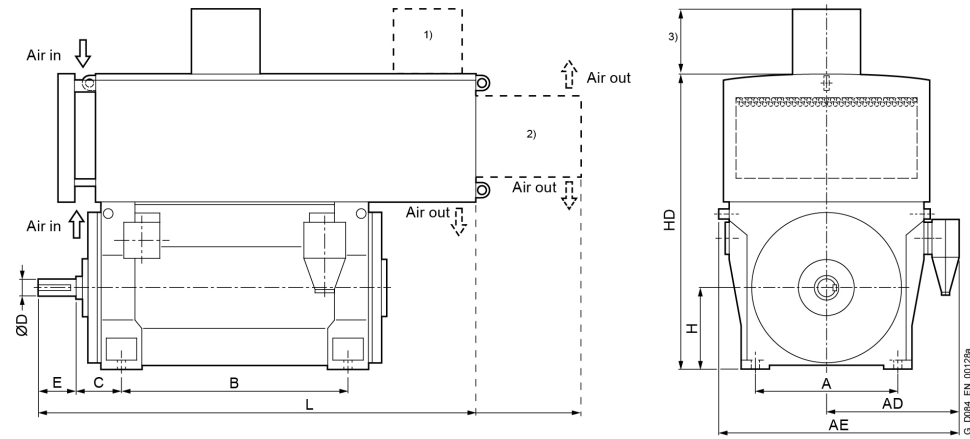
Motor type	Weight	Dimensions										
		A	AD	AE	B	C	D	E	H	HD	L	ML
	kg	mm	mm	mm	mm	mm	mm	mm	mm	mm	mm	mm
Innomotics HV M - 1SB. IC666 10000 V / 50 Hz B3 (IM 1001) - Dimension drawings												
1SB7 561-6MA80-OCA2	9000	1060	1290	2060	1400	335	190	280	560	3650	3250	o.r.
1SB7 561-6MA80-OCC2	9050	1060	1290	2060	1400	600	190	280	560	3650	3520	o.r.
1SB7 562-6MA80-OCA2	9300	1060	1290	2060	1400	335	190	280	560	3650	3250	o.r.
1SB7 562-6MA80-OCC2	9350	1060	1290	2060	1400	600	190	280	560	3650	3520	o.r.
1SB7 563-6MA80-OCA2	9550	1060	1290	2060	1400	335	190	280	560	3650	3250	o.r.
1SB7 563-6MA80-OCC2	9650	1060	1290	2060	1400	600	190	280	560	3650	3520	o.r.
1SB7 564-6MA80-OCA2	9950	1060	1290	2060	1400	335	190	280	560	3650	3250	o.r.
1SB7 564-6MA80-OCC2	10050	1060	1290	2060	1400	600	190	280	560	3650	3520	o.r.
1SB7 567-6MA80-OCA2	10850	1060	1290	2060	1600	335	190	280	560	3650	3480	o.r.
1SB7 567-6MA80-OCC2	10900	1060	1290	2060	1600	600	190	280	560	3650	3750	o.r.
1SB7 568-6MA80-OCA2	11400	1060	1290	2060	1600	335	190	280	560	3650	3480	o.r.
1SB7 568-6MA80-OCC2	11500	1060	1290	2060	1600	600	190	280	560	3650	3750	o.r.
1SB8 632-6MA80-OCG2	11800	1320	1520	2520	1600	375	200	280	630	3210	3920	o.r.
1SB8 632-6MA80-OCJ2	11900	1320	1520	2520	1600	630	200	280	630	3210	4170	o.r.
1SB8 633-6MA80-OCG0	12200	1320	1520	2520	1600	375	200	280	630	3210	3920	o.r.
1SB8 633-6MA80-OCJ0	12350	1320	1520	2520	1600	630	200	280	630	3210	4170	o.r.
1SB8 634-6MA80-OCG2	12750	1320	1520	2520	1600	375	200	280	630	3210	3920	o.r.
1SB8 634-6MA80-OCJ2	12850	1320	1520	2520	1600	630	200	280	630	3210	4170	o.r.
1SB8 637-6MA80-OCG0	13550	1320	1520	2520	1800	375	200	280	630	3210	4120	o.r.
1SB8 637-6MA80-OCJ0	13700	1320	1520	2520	1800	630	200	280	630	3210	4370	o.r.
1SB8 638-6MA80-OCG2	14100	1320	1520	2520	1800	375	200	280	630	3210	4120	o.r.
1SB8 638-6MA80-OCJ2	14200	1320	1520	2520	1800	630	200	280	630	3210	4370	o.r.
1SB8 712-6MA80-OCG0	15550	1500	1620	2720	2000	375	220	280	710	4240	3920	o.r.



Motor type	Weight	Dimensions										
		A	AD	AE	B	C	D	E	H	HD	L	ML
	kg	mm	mm	mm	mm	mm	mm	mm	mm	mm	mm	mm
Innomotics HV M - 1SB. IC666 10000 V / 50 Hz B3 (IM 1001) - Dimension drawings												
1SB8 712-6MA80-0CJ0	15700	1500	1620	2720	2000	630	220	280	710	4240	4180	o.r.
1SB8 713-6MA80-0CG2	16500	1500	1620	2720	2000	375	220	280	710	4240	3920	o.r.
1SB8 713-6MA80-0CJ2	16650	1500	1620	2720	2000	630	220	280	710	4240	4180	o.r.
1SB8 714-6MA80-0CG0	17550	1500	1620	2720	2000	375	220	280	710	4240	3920	o.r.
1SB8 714-6MA80-0CJ0	17650	1500	1620	2720	2000	630	220	280	710	4240	4180	o.r.
1SB8 717-6MA80-0CG0	19100	1500	1620	2720	2240	375	220	280	710	4240	4160	o.r.
1SB8 717-6MA80-0CJ0	19250	1500	1620	2720	2240	630	220	280	710	4240	4420	o.r.
1SB8 718-6MA80-0CG0	20150	1500	1620	2720	2240	375	220	280	710	4240	4160	o.r.
1SB8 718-6MA80-0CJ0	20300	1500	1620	2720	2240	630	220	280	710	4240	4420	o.r.
8-pole												
1SB7 451-8MA80-0AA0	4950	850	1140	1760	1180	250	130	200	450	3160	2710	o.r.
1SB7 451-8MA80-0AC0	4950	850	1140	1760	1180	500	130	200	450	3160	2960	o.r.
1SB7 452-8MA80-0AA0	5050	850	1140	1760	1180	250	130	200	450	3160	2710	o.r.
1SB7 452-8MA80-0AC0	5100	850	1140	1760	1180	500	130	200	450	3160	2960	o.r.
1SB7 453-8MA80-0AA2	5300	850	1140	1760	1180	250	130	200	450	3160	2710	o.r.
1SB7 453-8MA80-0AC2	5350	850	1140	1760	1180	500	130	200	450	3160	2960	o.r.
1SB7 454-8MA80-0AA2	5550	850	1140	1760	1180	250	130	200	450	3160	2710	o.r.
1SB7 454-8MA80-0AC2	5550	850	1140	1760	1180	500	130	200	450	3160	2960	o.r.
1SB7 457-8MA80-0AA2	6050	850	1140	1760	1400	250	130	200	450	3160	2920	o.r.
1SB7 457-8MA80-0AC2	6050	850	1140	1760	1400	500	130	200	450	3160	3170	o.r.
1SB7 458-8MA80-0AA2	6300	850	1140	1760	1400	250	130	200	450	3160	2920	o.r.
1SB7 458-8MA80-0AC2	6300	850	1140	1760	1400	500	130	200	450	3160	3170	o.r.
1SB7 502-8MA80-0CA2	7150	950	1220	1920	1320	315	160	240	500	3370	3060	o.r.



Motor type	Weight	Dimensions										
		A	AD	AE	B	C	D	E	H	HD	L	ML
	kg	mm	mm	mm	mm	mm	mm	mm	mm	mm	mm	mm
Innomotics HV M - 1SB. IC666 10000 V / 50 Hz B3 (IM 1001) - Dimension drawings												
1SB7 502-8MA80-0CC2	7200	950	1220	1920	1320	560	170	240	500	3370	3300	o.r.
1SB7 503-8MA80-0AA2	7200	950	1220	1920	1320	315	160	240	500	3370	3060	o.r.
1SB7 503-8MA80-0AC2	7250	950	1220	1920	1320	560	170	240	500	3370	3300	o.r.
1SB7 503-8MA80-0CA2	7400	950	1220	1920	1320	315	160	240	500	3370	3060	o.r.
1SB7 503-8MA80-0CC2	7500	950	1220	1920	1320	560	170	240	500	3370	3300	o.r.
1SB7 504-8MA80-0AA2	7500	950	1220	1920	1320	315	160	240	500	3370	3060	o.r.
1SB7 504-8MA80-0AC2	7550	950	1220	1920	1320	560	170	240	500	3370	3300	o.r.
1SB7 504-8MA80-0CA2	7700	950	1220	1920	1320	315	160	240	500	3370	3060	o.r.
1SB7 504-8MA80-0CC2	7750	950	1220	1920	1320	560	170	240	500	3370	3300	o.r.
1SB7 507-8MA80-0AA2	8200	950	1220	1920	1500	315	160	240	500	3370	3270	o.r.
1SB7 507-8MA80-0AC2	8250	950	1220	1920	1500	560	170	240	500	3370	3510	o.r.
1SB7 507-8MA80-0CA2	8450	950	1220	1920	1500	315	160	240	500	3370	3270	o.r.
1SB7 507-8MA80-0CC2	8500	950	1220	1920	1500	560	170	240	500	3370	3510	o.r.
1SB7 508-8MA80-0AA2	8500	950	1220	1920	1500	315	160	240	500	3370	3270	o.r.
1SB7 508-8MA80-0AC2	8550	950	1220	1920	1500	560	170	240	500	3370	3510	o.r.
1SB7 508-8MA80-0CA2	8800	950	1220	1920	1500	315	160	240	500	3370	3270	o.r.
1SB7 508-8MA80-0CC2	8850	950	1220	1920	1500	560	170	240	500	3370	3510	o.r.
1SB7 563-8MA80-0CA2	9450	1060	1290	2060	1400	335	190	280	560	3650	3250	o.r.
1SB7 563-8MA80-0CC2	9550	1060	1290	2060	1400	600	190	280	560	3650	3520	o.r.
1SB7 564-8MA80-0CA2	9900	1060	1290	2060	1400	335	190	280	560	3650	3250	o.r.
1SB7 564-8MA80-0CC2	10000	1060	1290	2060	1400	600	190	280	560	3650	3520	o.r.
1SB7 567-8MA80-0CA2	10800	1060	1290	2060	1600	335	190	280	560	3650	3480	o.r.
1SB7 567-8MA80-0CC2	10900	1060	1290	2060	1600	600	190	280	560	3650	3750	o.r.



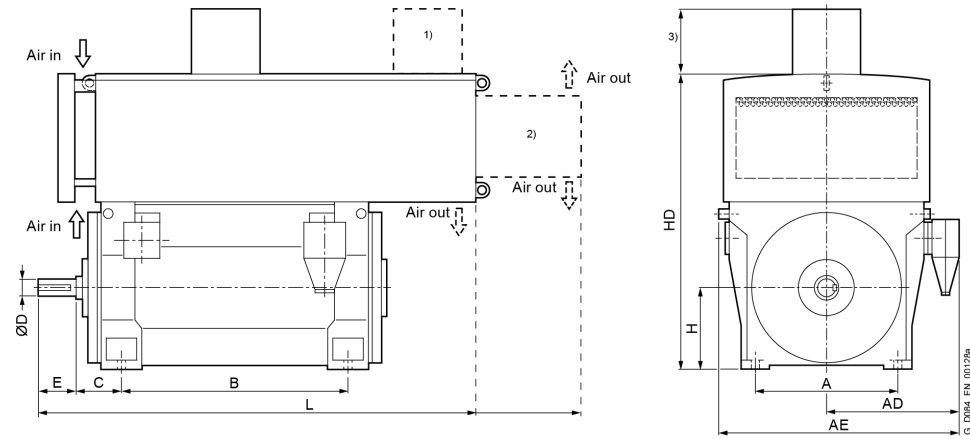
Motor type	Weight	Dimensions										
		A	AD	AE	B	C	D	E	H	HD	L	ML
	kg	mm	mm	mm	mm	mm	mm	mm	mm	mm	mm	mm
Innomotics HV M - 1SB. IC666 10000 V / 50 Hz B3 (IM 1001) - Dimension drawings												
1SB7 568-8MA80-OCA2	11300	1060	1290	2060	1600	335	190	280	560	3650	3480	o.r.
1SB7 568-8MA80-OCC2	11400	1060	1290	2060	1600	600	190	280	560	3650	3750	o.r.
1SB8 633-8MA80-OCG2	11050	1320	1520	2520	1600	375	200	280	630	3210	3920	o.r.
1SB8 633-8MA80-OCJ2	11150	1320	1520	2520	1600	630	200	280	630	3210	4170	o.r.
1SB8 634-8MA80-OCG0	11850	1320	1520	2520	1600	375	200	280	630	3210	3920	o.r.
1SB8 634-8MA80-OCJ0	12000	1320	1520	2520	1600	630	200	280	630	3210	4170	o.r.
1SB8 637-8MA80-OCG0	13050	1320	1520	2520	1800	375	200	280	630	3210	4120	o.r.
1SB8 637-8MA80-OCJ0	13150	1320	1520	2520	1800	630	200	280	630	3210	4370	o.r.
1SB8 638-8MA80-OCG0	13750	1320	1520	2520	1800	375	200	280	630	3210	4120	o.r.
1SB8 638-8MA80-OCJ0	13900	1320	1520	2520	1800	630	200	280	630	3210	4370	o.r.
1SB8 713-8MA80-OCG0	15700	1500	1620	2720	2000	375	220	280	710	4150	3920	o.r.
1SB8 713-8MA80-OCJ0	15900	1500	1620	2720	2000	630	220	280	710	4150	4180	o.r.
1SB8 714-8MA80-OCG0	16800	1500	1620	2720	2000	375	220	280	710	4150	3920	o.r.
1SB8 714-8MA80-OCJ0	17000	1500	1620	2720	2000	630	220	280	710	4150	4180	o.r.
1SB8 717-8MA80-OCG0	18550	1500	1620	2720	2240	375	220	280	710	4150	4160	o.r.
1SB8 717-8MA80-OCJ0	18700	1500	1620	2720	2240	630	220	280	710	4150	4420	o.r.
1SB8 718-8MA80-OCG0	19550	1500	1620	2720	2240	375	220	280	710	4150	4160	o.r.
1SB8 718-8MA80-OCJ0	19750	1500	1620	2720	2240	630	220	280	710	4150	4420	o.r.

Innomotics HV M - 1SB. IC666 11000 V / 50 Hz B3 (IM 1001)																		
Rated power IEC	Article No.	Speed	Rated current I_R	Efficiency				Power factor				Torque T_R	Breakdown torque T_B/ T_R	Locked rotor torque T_{LR}/ T_R	Locked rotor current I_{LR}/ I_R	Inertia		
				5/4 load	4/4 load	3/4 load	2/4 load	5/4 load	4/4 load	3/4 load	2/4 load					motor	external	Startup max T/TR
kW		rpm	A	%	%	%	%	cos φ	cos φ	cos φ	cos φ	Nm	[-]	[-]	[-]	kgm ²	kgm ²	[-]
2-pole: $n_{sync} = 3000$ rpm at 50 Hz																		
1150	1SB7 453-2MA90-0A.0	2982	73	95.1	95.5	95.3	94.3	0.86	0.86	0.83	0.74	3683	2.80	0.60	6.5	10	60	o.r.
1150	1SB7 453-2MA90-0C.0	2983	71	95.1	95.5	95.3	94.3	0.89	0.89	0.87	0.82	3681	2.85	0.70	6.5	14	70	o.r.
1250	1SB7 454-2MA90-0A.0	2982	78	95.2	95.7	95.6	94.9	0.88	0.88	0.86	0.81	4003	2.80	0.60	6.5	11	60	o.r.
1250	1SB7 454-2MA90-0C.0	2983	76	95.2	95.6	95.4	94.5	0.90	0.90	0.89	0.84	4002	2.90	0.75	6.5	15	70	o.r.
1440	1SB7 457-2MA90-0A.0	2982	90	95.4	95.8	95.7	94.8	0.88	0.88	0.84	0.77	4611	2.85	0.65	6.5	12	70	o.r.
1450	1SB7 457-2MA90-0C.0	2983	88	95.4	95.8	95.7	94.9	0.90	0.90	0.89	0.84	4642	2.90	0.75	6.5	16	95	o.r.
1540	1SB7 458-2MA90-0A.0	2982	93	95.6	96.1	96.1	95.5	0.90	0.90	0.89	0.85	4932	2.85	0.65	6.5	13	70	o.r.
1600	1SB7 458-2MA90-0C.0	2983	96	95.7	96.1	96.0	95.2	0.90	0.91	0.90	0.85	5122	3.00	0.75	6.5	17	105	o.r.
1750	1SB7 502-2MA90-0C.0	2979	108	95.5	95.8	95.9	95.4	0.88	0.88	0.87	0.82	5610	2.55	0.60	5.0	18	122	o.r.
1950	1SB7 503-2MA90-0C.0	2979	120	95.9	96.2	96.3	95.9	0.89	0.89	0.89	0.85	6251	2.60	0.70	5.1	20	132	o.r.
1800	1SB7 503-2MA90-0A.0	2974	110	95.6	96.0	96.2	96.0	0.89	0.89	0.89	0.85	5780	2.65	0.60	5.3	15	34	o.r.
1900	1SB7 504-2MA90-0A.0	2975	116	95.7	96.1	96.3	96.0	0.89	0.89	0.89	0.85	6099	2.70	0.70	5.3	15	34	o.r.
2300	1SB7 507-2MA90-0C.0	2983	138	96.3	96.5	96.6	96.1	0.90	0.90	0.89	0.84	7363	3.00	0.85	6.1	24	146	o.r.
2150	1SB7 507-2MA90-0A.0	2976	130	96.0	96.4	96.5	96.3	0.90	0.90	0.90	0.86	6899	2.90	0.70	5.9	18	40	o.r.
2450	1SB7 508-2MA90-0C.0	2985	146	96.5	96.7	96.7	96.3	0.91	0.91	0.90	0.84	7838	3.30	0.95	6.8	27	162	o.r.
2350	1SB7 508-2MA90-0A.0	2976	140	96.2	96.6	96.8	96.7	0.91	0.91	0.91	0.88	7541	2.80	0.80	5.8	20	42	o.r.
2880	1SB7 562-2MA90-0CC0	2986	176	96.1	96.2	96.0	95.3	0.89	0.89	0.87	0.82	9210	2.90	0.80	6.5	41	240	o.r.
3070	1SB7 563-2MA90-0CC0	2986	186	96.3	96.3	96.2	95.5	0.89	0.90	0.88	0.84	9818	2.85	0.75	6.5	44	250	o.r.
3490	1SB7 564-2MA90-0CC0	2987	215	96.1	96.2	95.8	94.9	0.89	0.89	0.86	0.79	11157	3.20	0.85	6.5	47	230	o.r.
4000	1SB7 567-2MA90-0CC0	2986	240	96.4	96.4	96.3	95.5	0.90	0.91	0.89	0.84	12792	2.95	0.75	6.5	52	280	o.r.
4250	1SB7 568-2MA90-0CC0	2988	255	96.6	96.5	96.4	95.6	0.91	0.91	0.89	0.83	13583	3.30	0.80	6.8	58	245	o.r.
4400	1SB8 632-2MA90-0CJ0	2982	270	95.9	96.3	95.9	95.0	0.86	0.89	0.89	0.88	14090	2.00	0.55	4.8	75	310	o.r.
4950	1SB8 633-2MA90-0CJ0	2982	305	96.1	96.5	96.2	95.4	0.87	0.89	0.90	0.89	15851	2.05	0.55	4.9	82	300	o.r.
5400	1SB8 634-2MA90-0CJ0	2983	325	96.3	96.7	96.4	95.5	0.88	0.90	0.91	0.90	17287	2.20	0.60	5.2	90	300	o.r.
6000	1SB8 637-2MA90-0CJ0	2984	355	96.5	96.9	96.6	95.8	0.89	0.91	0.91	0.90	19201	2.35	0.65	5.5	99	310	o.r.
6500	1SB8 638-2MA90-0CJ0	2986	380	96.7	97.0	96.7	95.9	0.90	0.92	0.92	0.90	20787	2.55	0.65	6.0	107	320	o.r.
7300	1SB8 712-2MA90-0CJ0	2988	445	96.6	96.6	96.3	95.2	0.87	0.89	0.89	0.87	23330	2.15	0.60	5.1	149	250	o.r.
7650	1SB8 713-2MA90-0CJ0	2989	455	96.7	96.7	96.3	95.3	0.89	0.91	0.90	0.87	24440	2.45	0.70	5.8	160	240	o.r.
8150	1SB8 714-2MA90-0CJ0	2990	485	96.8	96.8	96.4	95.4	0.90	0.91	0.90	0.87	26029	2.55	0.60	6.1	172	260	o.r.
8950	1SB8 716-2MA90-0CJ0	2990	540	97.0	96.9	96.5	95.5	0.89	0.90	0.89	0.85	28584	2.45	0.55	5.9	183	300	o.r.
9600	1SB8 717-2MA90-0CJ0	2989	560	97.1	97.1	96.8	96.0	0.91	0.92	0.92	0.90	30670	2.45	0.60	5.8	200	250	o.r.
10100	1SB8 718-2MA90-0CJ0	2989	590	97.2	97.2	97.0	96.2	0.90	0.92	0.91	0.89	32268	2.35	0.50	5.7	216	310	o.r.
4-pole: $n_{sync} = 1500$ rpm at 50 Hz																		
1200	1SB7 453-4MA90-0C.0	1488	76	95.0	95.6	95.6	95.1	0.87	0.87	0.83	0.74	7701	2.70	0.60	5.8	23	315	o.r.
1180	1SB7 453-4MA90-0A.0	1485	75	94.8	95.4	95.5	95.1	0.87	0.87	0.83	0.75	7588	2.65	0.75	6.0	17	335	o.r.
1240	1SB7 454-4MA90-0A.0	1486	78	95.0	95.6	95.6	95.1	0.88	0.87	0.82	0.73	7968	2.75	0.85	6.5	19	335	o.r.

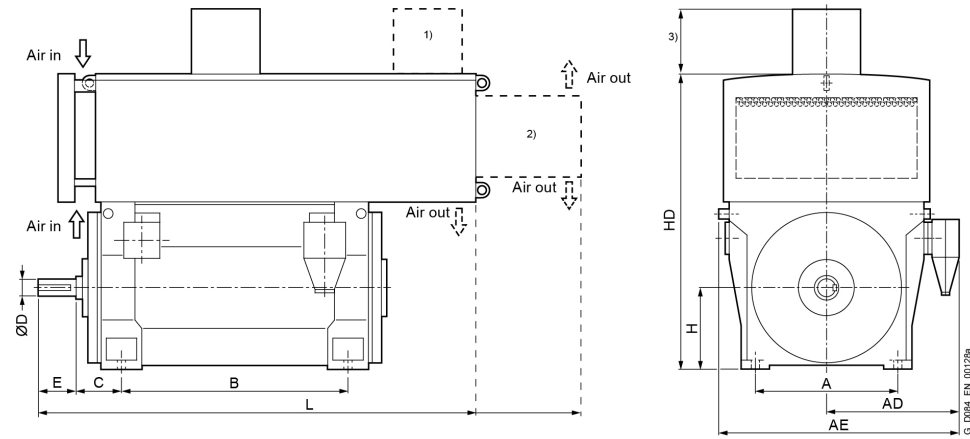
Innomotics HV M - 1SB. IC666 11000 V / 50 Hz B3 (IM 1001)																		
Rated power IEC	Article No.	Speed	Rated current I_R	Efficiency				Power factor				Torque T_R	Breakdown torque T_B/ T_R	Locked rotor torque T_{LR}/ T_R	Locked rotor current I_{LR}/ I_R	Inertia		
				5/4 load	4/4 load	3/4 load	2/4 load	5/4 load	4/4 load	3/4 load	2/4 load					motor	external	Startup max T/TR
kW		rpm	A	%	%	%	%	cos φ	cos φ	cos φ	cos φ	Nm	[-]	[-]	[-]	kgm ²	kgm ²	[-]
1290	1SB7 454-4MA90-0C.0	1488	80	95.2	95.7	95.8	95.3	0.88	0.88	0.84	0.77	8279	2.70	0.65	6.0	25	320	o.r.
1520	1SB7 457-4MA90-0C.0	1489	94	95.6	96.1	96.1	95.6	0.89	0.88	0.85	0.77	9748	2.90	0.70	6.5	30	415	o.r.
1400	1SB7 457-4MA90-0A.0	1486	85	95.2	95.8	96.1	95.8	0.90	0.90	0.88	0.83	8997	2.75	0.85	6.5	22	420	o.r.
1670	1SB7 458-4MA90-0C.0	1489	102	95.7	96.2	96.3	95.9	0.89	0.89	0.86	0.79	10710	2.90	0.70	6.5	32	480	o.r.
1540	1SB7 458-4MA90-0A.0	1486	94	95.4	96.0	96.2	96.0	0.90	0.90	0.88	0.83	9896	2.80	0.85	6.5	24	420	o.r.
1870	1SB7 503-4MA90-0A.0	1486	114	95.6	96.1	96.5	96.2	0.89	0.89	0.89	0.85	12017	2.40	0.80	5.3	37	615	o.r.
1900	1SB7 503-4MA90-0C.0	1488	116	95.6	96.2	96.5	96.2	0.88	0.89	0.89	0.86	12193	2.40	0.60	5.0	45	570	o.r.
2100	1SB7 504-4MA90-0C.0	1491	132	96.1	96.4	96.4	95.8	0.88	0.86	0.83	0.75	13450	2.90	0.70	5.9	50	705	o.r.
1950	1SB7 504-4MA90-0A.0	1487	118	95.6	96.2	96.5	96.3	0.89	0.90	0.90	0.87	12523	2.50	0.90	5.5	40	615	o.r.
2260	1SB7 507-4MA90-0A.0	1487	136	96.0	96.5	96.7	96.5	0.90	0.90	0.89	0.85	14513	2.65	0.95	6.0	46	610	o.r.
2300	1SB7 507-4MA90-0C.0	1489	138	96.1	96.6	96.8	96.5	0.90	0.90	0.89	0.86	14750	2.65	0.70	5.5	56	760	o.r.
2500	1SB7 508-4MA90-0C.0	1490	152	96.3	96.6	96.8	96.4	0.89	0.89	0.88	0.83	16022	2.65	0.65	5.6	61	660	o.r.
2350	1SB7 508-4MA90-0A.0	1487	142	96.0	96.5	96.8	96.6	0.90	0.90	0.90	0.87	15091	2.65	0.95	6.0	50	750	o.r.
2850	1SB7 562-4MA90-0C.0	1490	176	96.2	96.6	96.9	96.6	0.87	0.88	0.87	0.83	18265	2.25	0.60	5.4	74	865	o.r.
3000	1SB7 563-4MA90-0C.0	1491	185	96.3	96.7	96.9	96.6	0.88	0.88	0.87	0.83	19214	2.40	0.65	5.8	80	915	o.r.
3350	1SB7 564-4MA90-0C.0	1491	204	96.4	96.8	97.1	96.9	0.88	0.89	0.89	0.86	21455	2.30	0.65	5.5	90	1020	o.r.
3600	1SB7 566-4MA90-0C.0	1492	216	96.6	97.0	97.2	97.0	0.89	0.90	0.89	0.86	23041	2.50	0.75	6.0	100	1125	o.r.
3960	1SB7 567-4MA90-0C.0	1492	238	96.8	97.1	97.3	97.1	0.90	0.90	0.90	0.86	25345	2.55	0.75	6.3	110	1215	o.r.
4260	1SB7 568-4MA90-0C.0	1492	256	96.9	97.2	97.4	97.2	0.90	0.90	0.89	0.85	27265	2.65	0.75	6.5	119	1325	o.r.
5000	1SB8 633-4MA90-0C.0	1492	305	96.5	96.8	96.7	96.1	0.88	0.89	0.88	0.83	32002	2.55	0.55	6.0	151	790	o.r.
5250	1SB8 634-4MA90-0C.0	1493	320	96.6	96.8	96.7	96.1	0.88	0.89	0.87	0.81	33579	2.60	0.55	6.0	165	970	o.r.
5900	1SB8 637-4MA90-0C.0	1493	355	96.8	97.0	97.0	96.4	0.89	0.90	0.88	0.83	37737	2.60	0.55	6.0	181	1000	o.r.
6500	1SB8 638-4MA90-0C.0	1493	400	96.9	97.1	97.0	96.4	0.88	0.88	0.85	0.79	41574	2.60	0.55	6.0	196	1140	o.r.
6900	1SB8 712-4MA90-0C.0	1492	415	96.7	97.1	97.1	96.7	0.89	0.90	0.90	0.87	44162	2.35	0.50	5.6	259	1000	o.r.
7400	1SB8 713-4MA90-0C.0	1492	440	96.9	97.2	97.3	96.8	0.89	0.91	0.90	0.88	47362	2.45	0.50	5.9	284	1110	o.r.
8050	1SB8 714-4MA90-0C.0	1492	475	97.0	97.3	97.4	97.0	0.90	0.91	0.91	0.88	51523	2.55	0.55	6.0	312	1200	o.r.
8700	1SB8 717-4MA90-0C.0	1493	520	97.1	97.4	97.4	97.0	0.90	0.91	0.91	0.88	55646	2.60	0.55	6.0	344	1410	o.r.
9350	1SB8 718-4MA90-0C.0	1493	560	97.2	97.5	97.5	97.0	0.89	0.90	0.89	0.84	59803	2.60	0.50	6.0	360	1540	o.r.
6-pole: $n_{sync} = 1000$ rpm at 50 Hz																		
830	1SB7 452-6MA90-0A.0	990	55	94.1	94.9	95.2	95.0	0.84	0.84	0.80	0.70	8006	2.45	0.80	5.5	20	385	o.r.
860	1SB7 452-6MA90-0C.0	990	56	93.9	94.9	95.2	95.1	0.85	0.85	0.83	0.75	8295	2.35	0.70	5.4	27	465	o.r.
900	1SB7 453-6MA90-0A.0	990	58	94.3	95.1	95.4	95.2	0.85	0.85	0.81	0.72	8681	2.45	0.85	5.5	22	395	o.r.
920	1SB7 453-6MA90-0C.0	991	59	94.3	95.1	95.3	95.2	0.85	0.86	0.82	0.74	8865	2.50	0.80	5.5	30	470	o.r.
980	1SB7 454-6MA90-0A.0	990	63	94.5	95.3	95.6	95.4	0.85	0.86	0.82	0.74	9453	2.45	0.85	5.5	24	450	o.r.
1000	1SB7 454-6MA90-0C.0	991	64	94.5	95.2	95.5	95.4	0.86	0.86	0.83	0.76	9636	2.50	0.80	5.5	33	550	o.r.
1080	1SB7 457-6MA90-0A.0	990	68	94.6	95.4	95.8	95.7	0.86	0.87	0.84	0.77	10417	2.40	0.85	5.5	28	530	o.r.
1100	1SB7 457-6MA90-0C.0	991	70	94.6	95.4	95.7	95.6	0.87	0.87	0.84	0.78	10600	2.50	0.80	5.5	36	645	o.r.

Innomotics HV M - 1SB. IC666 11000 V / 50 Hz B3 (IM 1001)																		
Rated power IEC	Article No.	Speed	Rated current I_R	Efficiency				Power factor				Torque T_R	Breakdown torque T_B/ T_R	Locked rotor torque T_{LR}/ T_R	Locked rotor current I_{LR}/ I_R	Inertia		
				5/4 load	4/4 load	3/4 load	2/4 load	5/4 load	4/4 load	3/4 load	2/4 load					motor	external	Startup max T/TR
kW		rpm	A	%	%	%	%	cos φ	cos φ	cos φ	cos φ	Nm	[-]	[-]	[-]	kgm ²	kgm ²	[-]
1200	1SB7 458-6MA90-0C.0	991	75	94.8	95.6	95.9	95.9	0.87	0.88	0.85	0.79	11563	2.50	0.80	5.5	41	740	o.r.
1180	1SB7 458-6MA90-0A.0	990	74	94.8	95.6	96.0	96.0	0.87	0.87	0.85	0.79	11382	2.35	0.85	5.5	31	615	o.r.
1400	1SB7 502-6MA90-0C.0	993	90	95.5	96.0	96.1	95.8	0.85	0.85	0.80	0.71	13463	2.65	0.85	5.4	54	1130	o.r.
1350	1SB7 502-6MA90-0A.0	991	86	95.0	95.7	96.1	95.9	0.85	0.86	0.84	0.78	13009	2.35	0.90	5.0	42	750	o.r.
1600	1SB7 503-6MA90-0C.0	993	102	95.6	96.2	96.3	96.0	0.85	0.85	0.81	0.72	15387	2.65	0.90	5.4	60	1250	o.r.
1530	1SB7 503-6MA90-0A.0	991	96	95.1	95.8	96.2	96.1	0.85	0.87	0.85	0.79	14743	2.25	0.90	4.9	46	860	o.r.
1630	1SB7 504-6MA90-0A.0	992	104	95.5	96.0	96.3	96.0	0.85	0.85	0.82	0.72	15691	2.65	1.10	5.7	51	980	o.r.
1750	1SB7 504-6MA90-0C.0	993	112	95.8	96.3	96.4	96.1	0.85	0.85	0.81	0.72	16829	2.70	0.85	5.4	66	1400	o.r.
1920	1SB7 507-6MA90-0C.0	994	124	96.0	96.5	96.5	96.2	0.84	0.84	0.79	0.69	18445	2.75	0.85	5.4	74	1600	o.r.
1830	1SB7 507-6MA90-0A.0	992	114	95.6	96.1	96.5	96.3	0.86	0.87	0.85	0.78	17616	2.50	1.00	5.4	58	1150	o.r.
2000	1SB7 508-6MA90-0A.0	992	126	95.8	96.3	96.7	96.5	0.86	0.87	0.84	0.77	19253	2.60	0.95	5.6	63	1350	o.r.
2050	1SB7 508-6MA90-0C.0	994	128	96.0	96.6	96.7	96.5	0.87	0.87	0.84	0.78	19694	2.65	0.85	5.5	81	1800	o.r.
2240	1SB7 561-6MA90-0C.0	993	144	95.7	96.3	96.3	96.0	0.85	0.85	0.83	0.76	21541	2.55	0.70	5.6	96	1090	o.r.
2600	1SB7 562-6MA90-0C.0	993	166	96.0	96.5	96.5	96.2	0.84	0.85	0.83	0.75	25003	2.50	0.65	5.5	105	1450	o.r.
2800	1SB7 564-6MA90-0C.0	993	174	96.1	96.6	96.7	96.5	0.86	0.87	0.85	0.81	26927	2.50	0.65	5.6	123	1550	o.r.
3150	1SB7 567-6MA90-0C.0	994	198	96.3	96.8	96.8	96.5	0.86	0.86	0.84	0.77	30262	2.75	0.70	6.0	134	1790	o.r.
3300	1SB7 568-6MA90-0C.0	995	210	96.5	96.9	96.8	96.4	0.86	0.86	0.83	0.75	31671	3.05	0.80	6.5	150	2090	o.r.
3750	1SB8 632-6MA90-0C.0	993	235	96.1	96.5	96.5	95.8	0.85	0.86	0.82	0.73	36062	2.45	0.60	5.5	193	2610	o.r.
4000	1SB8 633-6MA90-0C.0	994	255	96.2	96.5	96.5	95.9	0.85	0.85	0.81	0.71	38428	2.50	0.60	5.5	208	2890	o.r.
4400	1SB8 634-6MA90-0C.0	994	280	96.4	96.7	96.7	96.1	0.85	0.86	0.82	0.74	42271	2.50	0.60	5.5	227	3060	o.r.
4750	1SB8 637-6MA90-0C.0	994	295	96.4	96.7	96.8	96.2	0.86	0.87	0.83	0.75	45633	2.50	0.60	5.5	245	3230	o.r.
4900	1SB8 638-6MA90-0C.0	994	310	96.5	96.8	96.8	96.2	0.86	0.86	0.82	0.73	47074	2.55	0.60	5.5	263	3890	o.r.
5550	1SB8 712-6MA90-0C.0	994	345	96.7	97.0	97.1	96.6	0.86	0.87	0.84	0.77	53319	2.50	0.55	5.5	331	2970	o.r.
6050	1SB8 713-6MA90-0C.0	994	375	96.8	97.2	97.2	96.8	0.86	0.87	0.85	0.79	58122	2.40	0.55	5.5	373	3500	o.r.
6550	1SB8 714-6MA90-0C.0	995	400	96.9	97.2	97.3	96.9	0.86	0.88	0.86	0.80	62862	2.40	0.55	5.5	422	4160	o.r.
7200	1SB8 717-6MA90-0C.0	995	440	97.0	97.3	97.4	97.0	0.87	0.88	0.86	0.80	69100	2.45	0.50	5.5	475	4860	o.r.
7750	1SB8 718-6MA90-0C.0	995	470	97.1	97.4	97.5	97.2	0.88	0.89	0.87	0.82	74379	2.45	0.55	5.5	522	5280	o.r.
8-pole: n_{sync} = 750 rpm at 50 Hz																		
520	1SB7 451-8MA90-0A.0	743	37	93.2	94.2	94.4	93.8	0.80	0.78	0.70	0.55	6683	2.50	0.80	5.5	23	410	o.r.
540	1SB7 451-8MA90-0C.0	743	38	93.3	94.2	94.5	94.0	0.82	0.80	0.73	0.59	6940	2.70	0.75	5.5	30	490	o.r.
580	1SB7 452-8MA90-0A.0	743	40	93.4	94.4	94.7	94.4	0.81	0.80	0.73	0.59	7454	2.50	0.80	5.5	25	470	o.r.
590	1SB7 452-8MA90-0C.0	743	40	93.5	94.5	94.7	94.4	0.83	0.81	0.75	0.62	7583	2.65	0.75	5.5	32	600	o.r.
660	1SB7 453-8MA90-0A.0	743	46	94.0	94.9	95.1	94.7	0.81	0.79	0.72	0.57	8483	2.55	0.85	5.5	28	750	o.r.
680	1SB7 453-8MA90-0C.0	743	46	94.1	94.9	95.1	94.8	0.82	0.81	0.74	0.61	8740	2.75	0.80	5.5	36	890	o.r.
750	1SB7 454-8MA90-0A.0	744	53	94.3	95.1	95.2	94.7	0.80	0.78	0.68	0.52	9626	2.75	0.95	5.5	31	890	o.r.
760	1SB7 454-8MA90-0C.0	744	52	94.4	95.2	95.3	94.8	0.81	0.80	0.71	0.56	9755	2.95	0.80	5.8	40	1060	o.r.
830	1SB7 457-8MA90-0A.0	744	58	94.5	95.2	95.4	95.0	0.81	0.79	0.71	0.57	10653	2.75	0.95	5.5	35	1020	o.r.

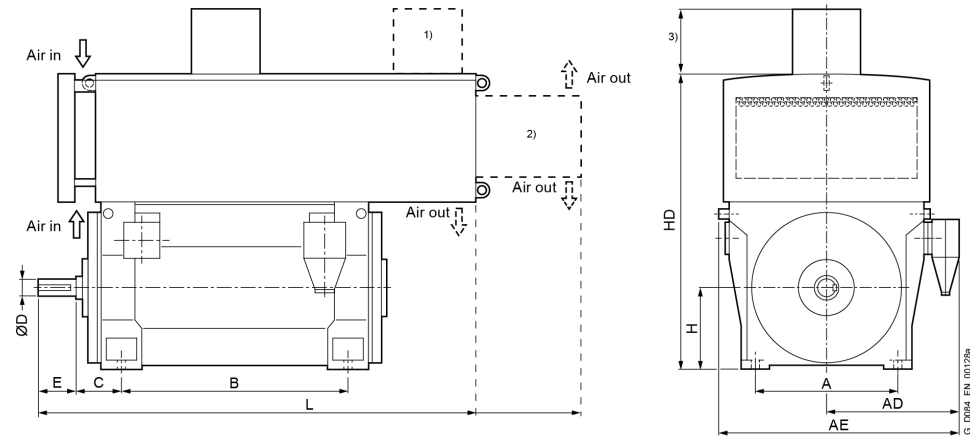
Innomotics HV M - 1SB. IC666 11000 V / 50 Hz B3 (IM 1001)																		
Rated power IEC	Article No.	Speed	Rated current I_R	Efficiency				Power factor				Torque T_R	Breakdown torque T_B/ T_R	Locked rotor torque T_{LR}/ T_R	Locked rotor current I_{LR}/ I_R	Inertia		
				5/4 load	4/4 load	3/4 load	2/4 load	5/4 load	4/4 load	3/4 load	2/4 load					motor	external	Startup max T/TR
kW		rpm	A	%	%	%	%	$\cos \varphi$	$\cos \varphi$	$\cos \varphi$	$\cos \varphi$	Nm	[-]	[-]	[-]	kgm ²	kgm ²	[-]
840	1SB7 457-8MA90-0C.0	744	58	94.6	95.3	95.4	95.0	0.82	0.80	0.73	0.59	10781	2.95	0.80	5.8	45	1220	o.r.
880	1SB7 458-8MA90-0A.0	744	61	94.6	95.4	95.5	95.0	0.81	0.79	0.71	0.56	11295	2.80	0.95	5.7	39	1200	o.r.
900	1SB7 458-8MA90-0C.0	744	62	94.7	95.4	95.5	95.1	0.82	0.80	0.73	0.59	11552	2.95	0.80	5.8	50	1330	o.r.
1000	1SB7 501-8MA90-0A.0	744	70	95.0	95.5	95.7	95.4	0.80	0.79	0.74	0.62	12835	2.40	0.85	4.7	42	1570	o.r.
1000	1SB7 501-8MA90-0C.0	743	67	94.7	95.4	95.8	95.6	0.82	0.82	0.78	0.69	12852	2.30	0.60	4.3	55	1460	o.r.
1100	1SB7 502-8MA90-0A.0	744	78	95.0	95.5	95.9	95.6	0.81	0.78	0.75	0.64	14119	2.50	0.90	4.7	46	1400	o.r.
1100	1SB7 502-8MA90-0C.0	743	74	94.8	95.5	96.0	95.9	0.82	0.82	0.79	0.71	14138	2.35	0.65	4.4	59	1660	o.r.
1250	1SB7 503-8MA90-0A.0	744	85	95.1	95.7	96.1	95.9	0.81	0.81	0.77	0.67	16044	2.30	0.85	4.6	51	1510	o.r.
1370	1SB7 507-8MA90-0A.0	744	92	95.6	96.1	96.3	96.0	0.82	0.81	0.76	0.66	17584	2.55	1.00	5.2	63	2710	o.r.
1400	1SB7 507-8MA90-0C.0	743	91	95.2	95.9	96.4	96.3	0.84	0.84	0.81	0.73	17993	2.30	0.65	4.4	80	2240	o.r.
1550	1SB7 508-8MA90-0A.0	745	106	95.7	96.1	96.3	96.0	0.81	0.80	0.75	0.63	19868	2.65	1.05	5.3	69	2610	o.r.
1600	1SB7 508-8MA90-0C.0	744	106	95.7	96.2	96.4	96.2	0.83	0.83	0.78	0.68	20536	2.65	0.70	5.0	88	3010	o.r.
1800	1SB7 563-8MA90-0C.0	745	120	95.6	96.0	96.3	95.9	0.82	0.82	0.79	0.70	23072	2.35	0.65	5.1	124	2810	o.r.
2000	1SB7 564-8MA90-0C.0	744	134	95.7	96.1	96.5	96.3	0.82	0.82	0.80	0.73	25670	2.20	0.60	4.9	137	3135	o.r.
2240	1SB7 567-8MA90-0C.0	745	150	95.9	96.1	96.6	96.4	0.83	0.82	0.80	0.72	28712	2.30	0.65	5.0	150	4020	o.r.
2500	1SB7 568-8MA90-0C.0	744	166	96.1	96.2	96.8	96.4	0.83	0.82	0.80	0.73	32088	2.30	0.65	5.1	165	5205	o.r.
2950	1SB8 634-8MA90-0C.0	744	188	95.5	96.1	96.1	95.7	0.85	0.86	0.83	0.76	37863	2.15	0.50	4.8	251	3210	o.r.
3350	1SB8 637-8MA90-0C.0	744	210	95.9	96.3	96.3	95.9	0.86	0.87	0.83	0.75	42998	2.30	0.50	5.0	292	4650	o.r.
3550	1SB8 638-8MA90-0C.0	744	220	96.0	96.5	96.5	96.1	0.87	0.87	0.83	0.76	45565	2.35	0.55	5.2	326	5480	o.r.
3800	1SB8 712-8MA90-0C.0	746	240	96.2	96.6	96.5	96.0	0.86	0.86	0.81	0.72	48643	2.55	0.60	5.5	421	3900	o.r.
4150	1SB8 713-8MA90-0C.0	746	260	96.4	96.7	96.6	96.0	0.86	0.86	0.81	0.71	53123	2.55	0.60	5.5	470	4270	o.r.
4650	1SB8 714-8MA90-0C.0	746	290	96.5	96.8	96.7	96.3	0.87	0.87	0.82	0.74	59523	2.55	0.55	5.5	539	4260	o.r.
4950	1SB8 717-8MA90-0C.0	746	305	96.5	96.9	96.9	96.6	0.87	0.88	0.84	0.77	63363	2.45	0.50	5.4	616	4640	o.r.
5300	1SB8 718-8MA90-0C.0	746	330	96.6	97.0	97.0	96.7	0.87	0.87	0.84	0.77	67844	2.35	0.50	5.1	677	4860	o.r.



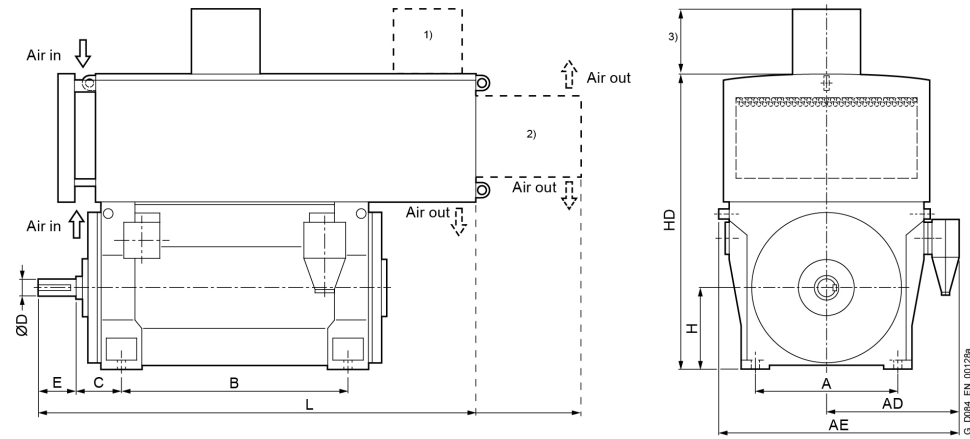
Motor type	Weight	Dimensions											
		A	AD	AE	B	C	D	E	H	HD	L	ML	
	kg	mm	mm	mm	mm	mm	mm	mm	mm	mm	mm	mm	mm
Innomotics HV M - 1SB. IC666 11000 V / 50 Hz B3 (IM 1001) - Dimension drawings													
2-pole													
1SB7 453-2MA90-0AA0	5100	850	1140	1760	1180	250	95	130	450	3160	2640	o.r.	
1SB7 453-2MA90-0AC0	5000	850	1140	1760	1180	475	95	130	450	3160	2870	o.r.	
1SB7 453-2MA90-0CA0	5200	850	1140	1760	1180	250	95	130	450	3160	2640	o.r.	
1SB7 453-2MA90-0CC0	5100	850	1140	1760	1180	475	95	130	450	3160	2870	o.r.	
1SB7 454-2MA90-0AA0	5200	850	1140	1760	1180	250	95	130	450	3160	2640	o.r.	
1SB7 454-2MA90-0AC0	5100	850	1140	1760	1180	475	95	130	450	3160	2870	o.r.	
1SB7 454-2MA90-0CA0	5300	850	1140	1760	1180	250	95	130	450	3160	2640	o.r.	
1SB7 454-2MA90-0CC0	5200	850	1140	1760	1180	475	95	130	450	3160	2870	o.r.	
1SB7 457-2MA90-0AA0	5550	850	1140	1760	1400	250	95	130	450	3160	2850	o.r.	
1SB7 457-2MA90-0AC0	5400	850	1140	1760	1400	475	95	130	450	3160	3080	o.r.	
1SB7 457-2MA90-0CA0	5650	850	1140	1760	1400	250	95	130	450	3160	2850	o.r.	
1SB7 457-2MA90-0CC0	5550	850	1140	1760	1400	475	95	130	450	3160	3080	o.r.	
1SB7 458-2MA90-0AA0	5700	850	1140	1760	1400	250	95	130	450	3160	2850	o.r.	
1SB7 458-2MA90-0AC0	5600	850	1140	1760	1400	475	95	130	450	3160	3080	o.r.	
1SB7 458-2MA90-0CA0	5850	850	1140	1760	1400	250	95	130	450	3160	2850	o.r.	
1SB7 458-2MA90-0CC0	5800	850	1140	1760	1400	475	95	130	450	3160	3080	o.r.	
1SB7 502-2MA90-0CA0	6400	950	1220	1920	1320	250	110	165	500	3370	2920	o.r.	
1SB7 502-2MA90-0CC0	6300	950	1220	1920	1320	530	120	165	500	3370	3200	o.r.	
1SB7 503-2MA90-0CA0	7050	950	1220	1920	1320	250	110	165	500	3370	2920	o.r.	
1SB7 503-2MA90-0CC0	7000	950	1220	1920	1320	530	120	165	500	3370	3200	o.r.	
1SB7 503-2MA90-0AA0	6900	950	1220	1920	1320	250	110	165	500	3370	2920	o.r.	
1SB7 503-2MA90-0AC0	6850	950	1220	1920	1320	530	120	165	500	3370	3200	o.r.	



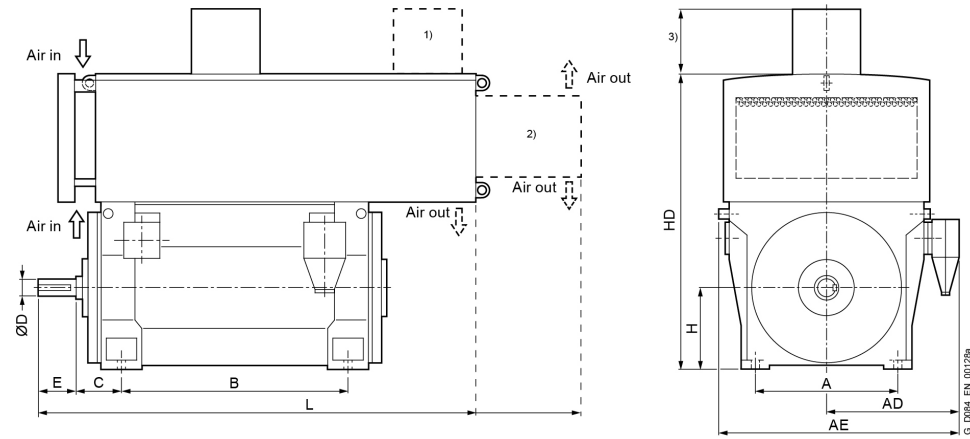
Motor type	Weight	Dimensions										
		A	AD	AE	B	C	D	E	H	HD	L	ML
	kg	mm	mm	mm	mm	mm	mm	mm	mm	mm	mm	mm
Innomotics HV M - 1SB. IC666 11000 V / 50 Hz B3 (IM 1001) - Dimension drawings												
1SB7 504-2MA90-0AA0	7000	950	1220	1920	1320	250	110	165	500	3370	2920	o.r.
1SB7 504-2MA90-0AC0	6900	950	1220	1920	1320	530	120	165	500	3370	3200	o.r.
1SB7 507-2MA90-0CA0	7850	950	1220	1920	1500	250	110	165	500	3370	3130	o.r.
1SB7 507-2MA90-0CC0	7800	950	1220	1920	1500	530	120	165	500	3370	3410	o.r.
1SB7 507-2MA90-0AA0	7650	950	1220	1920	1500	250	110	165	500	3370	3130	o.r.
1SB7 507-2MA90-0AC0	7600	950	1220	1920	1500	530	120	165	500	3370	3410	o.r.
1SB7 508-2MA90-0CA0	8200	950	1220	1920	1500	250	110	165	500	3370	3130	o.r.
1SB7 508-2MA90-0CC0	8150	950	1220	1920	1500	530	120	165	500	3370	3410	o.r.
1SB7 508-2MA90-0AA0	8050	950	1220	1920	1500	250	110	165	500	3370	3130	o.r.
1SB7 508-2MA90-0AC0	7950	950	1220	1920	1500	530	120	165	500	3370	3410	o.r.
1SB7 562-2MA90-0CC0	8600	1060	1290	2060	1400	600	150	200	560	3650	3440	o.r.
1SB7 563-2MA90-0CC0	8850	1060	1290	2060	1400	600	150	200	560	3650	3440	o.r.
1SB7 564-2MA90-0CC0	9100	1060	1290	2060	1400	600	150	200	560	3650	3440	o.r.
1SB7 567-2MA90-0CC0	10000	1060	1290	2060	1600	600	150	200	560	3650	3670	o.r.
1SB7 568-2MA90-0CC0	10500	1060	1290	2060	1600	600	150	200	560	3650	3670	o.r.
1SB8 632-2MA90-0CJ0	10600	1320	1520	2520	1600	560	160	240	630	3210	4060	o.r.
1SB8 633-2MA90-0CJ0	11100	1320	1520	2520	1600	560	160	240	630	3210	4060	o.r.
1SB8 634-2MA90-0CJ0	11600	1320	1520	2520	1600	560	160	240	630	3210	4060	o.r.
1SB8 637-2MA90-0CJ0	12500	1320	1520	2520	1800	560	160	240	630	3210	4260	o.r.
1SB8 638-2MA90-0CJ0	13100	1320	1520	2520	1800	560	160	240	630	3210	4260	o.r.
1SB8 712-2MA90-0CJ0	14550	1500	1620	2720	2000	560	180	240	710	4240	4070	o.r.
1SB8 713-2MA90-0CJ0	15000	1500	1620	2720	2000	560	180	240	710	4240	4070	o.r.
1SB8 714-2MA90-0CJ0	15650	1500	1620	2720	2000	560	180	240	710	4240	4070	o.r.



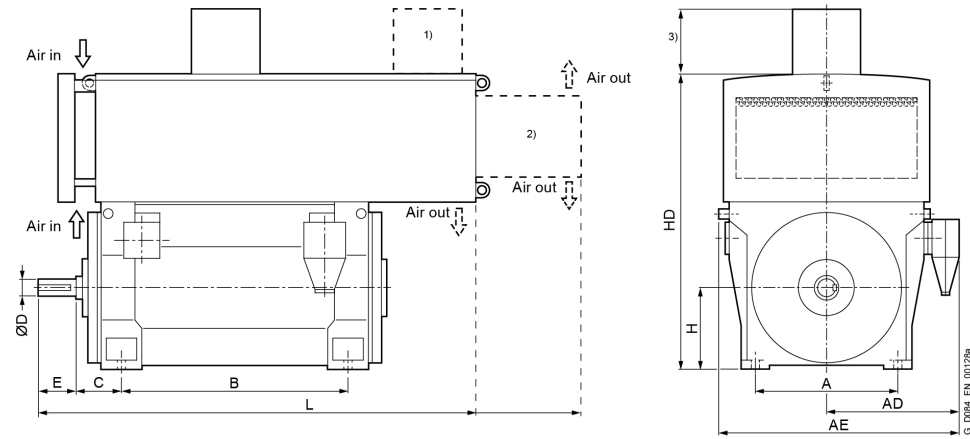
Motor type	Weight	Dimensions											
		A	AD	AE	B	C	D	E	H	HD	L	ML	
	kg	mm	mm	mm	mm	mm	mm	mm	mm	mm	mm	mm	mm
Innomotics HV M - 1SB. IC666 11000 V / 50 Hz B3 (IM 1001) - Dimension drawings													
1SB8 716-2MA90-0CJ0	16850	1500	1620	2720	2240	560	180	240	710	4240	4310	o.r.	
1SB8 717-2MA90-0CJ0	17650	1500	1620	2720	2240	560	180	240	710	4240	4310	o.r.	
1SB8 718-2MA90-0CJ0	18650	1500	1620	2720	2240	560	180	240	710	4240	4310	o.r.	
4-pole													
1SB7 453-4MA90-0CA0	5200	850	1140	1760	1180	250	130	200	450	3160	2710	o.r.	
1SB7 453-4MA90-0CC0	5250	850	1140	1760	1180	500	130	200	450	3160	2960	o.r.	
1SB7 453-4MA90-0AA0	5100	850	1140	1760	1180	250	130	200	450	3160	2710	o.r.	
1SB7 453-4MA90-0AC0	5100	850	1140	1760	1180	500	130	200	450	3160	2960	o.r.	
1SB7 454-4MA90-0AA0	5250	850	1140	1760	1180	250	130	200	450	3160	2710	o.r.	
1SB7 454-4MA90-0AC0	5250	850	1140	1760	1180	500	130	200	450	3160	2960	o.r.	
1SB7 454-4MA90-0CA0	5400	850	1140	1760	1180	250	130	200	450	3160	2710	o.r.	
1SB7 454-4MA90-0CC0	5400	850	1140	1760	1180	500	130	200	450	3160	2960	o.r.	
1SB7 457-4MA90-0CA0	6000	850	1140	1760	1400	250	130	200	450	3160	2920	o.r.	
1SB7 457-4MA90-0CC0	6000	850	1140	1760	1400	500	130	200	450	3160	3170	o.r.	
1SB7 457-4MA90-0AA0	5800	850	1140	1760	1400	250	130	200	450	3160	2920	o.r.	
1SB7 457-4MA90-0AC0	5850	850	1140	1760	1400	500	130	200	450	3160	3170	o.r.	
1SB7 458-4MA90-0CA0	6200	850	1140	1760	1400	250	130	200	450	3160	2920	o.r.	
1SB7 458-4MA90-0CC0	6250	850	1140	1760	1400	500	130	200	450	3160	3170	o.r.	
1SB7 458-4MA90-0AA0	6000	850	1140	1760	1400	250	130	200	450	3160	2920	o.r.	
1SB7 458-4MA90-0AC0	6050	850	1140	1760	1400	500	130	200	450	3160	3170	o.r.	
1SB7 503-4MA90-0AA0	7150	950	1220	1920	1320	315	160	240	500	3370	3060	o.r.	
1SB7 503-4MA90-0AC0	7250	950	1220	1920	1320	560	170	240	500	3370	3300	o.r.	
1SB7 503-4MA90-0CA0	7300	950	1220	1920	1320	315	160	240	500	3370	3060	o.r.	



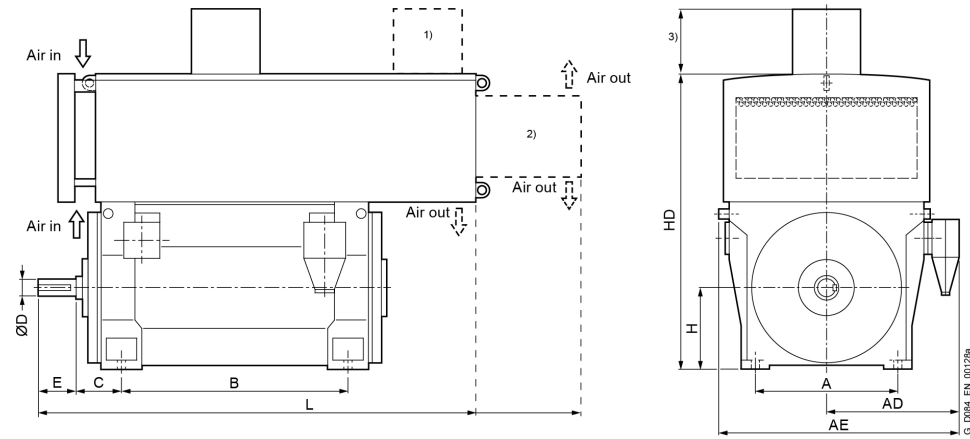
Motor type	Weight kg	Dimensions										
		A mm	AD mm	AE mm	B mm	C mm	D mm	E mm	H mm	HD mm	L mm	ML mm
Innomotics HV M - 1SB. IC666 11000 V / 50 Hz B3 (IM 1001) - Dimension drawings												
1SB7 503-4MA90-0CC0	7400	950	1220	1920	1320	560	170	240	500	3370	3300	o.r.
1SB7 504-4MA90-0CA0	7600	950	1220	1920	1320	315	160	240	500	3370	3060	o.r.
1SB7 504-4MA90-0CC0	7650	950	1220	1920	1320	560	170	240	500	3370	3300	o.r.
1SB7 504-4MA90-0AA0	7400	950	1220	1920	1320	315	160	240	500	3370	3060	o.r.
1SB7 504-4MA90-0AC0	7500	950	1220	1920	1320	560	170	240	500	3370	3300	o.r.
1SB7 507-4MA90-0AA0	8100	950	1220	1920	1500	315	160	240	500	3370	3270	o.r.
1SB7 507-4MA90-0AC0	8200	950	1220	1920	1500	560	170	240	500	3370	3510	o.r.
1SB7 507-4MA90-0CA0	8300	950	1220	1920	1500	315	160	240	500	3370	3270	o.r.
1SB7 507-4MA90-0CC0	8350	950	1220	1920	1500	560	170	240	500	3370	3510	o.r.
1SB7 508-4MA90-0CA0	8600	950	1220	1920	1500	315	160	240	500	3370	3270	o.r.
1SB7 508-4MA90-0CC0	8700	950	1220	1920	1500	560	170	240	500	3370	3510	o.r.
1SB7 508-4MA90-0AA0	8400	950	1220	1920	1500	315	160	240	500	3370	3270	o.r.
1SB7 508-4MA90-0AC0	8500	950	1220	1920	1500	560	170	240	500	3370	3510	o.r.
1SB7 562-4MA90-0CA0	8650	1060	1290	2060	1400	335	190	280	560	3650	3250	o.r.
1SB7 562-4MA90-0CC0	8700	1060	1290	2060	1400	600	190	280	560	3650	3520	o.r.
1SB7 563-4MA90-0CA0	8900	1060	1290	2060	1400	335	190	280	560	3650	3250	o.r.
1SB7 563-4MA90-0CC0	8950	1060	1290	2060	1400	600	190	280	560	3650	3520	o.r.
1SB7 564-4MA90-0CA0	9350	1060	1290	2060	1400	335	190	280	560	3650	3250	o.r.
1SB7 564-4MA90-0CC0	9400	1060	1290	2060	1400	600	190	280	560	3650	3520	o.r.
1SB7 566-4MA90-0CA0	10150	1060	1290	2060	1600	335	190	280	560	3650	3480	o.r.
1SB7 566-4MA90-0CC0	10250	1060	1290	2060	1600	600	190	280	560	3650	3750	o.r.
1SB7 567-4MA90-0CA0	10650	1060	1290	2060	1600	335	190	280	560	3650	3480	o.r.
1SB7 567-4MA90-0CC0	10700	1060	1290	2060	1600	600	190	280	560	3650	3750	o.r.



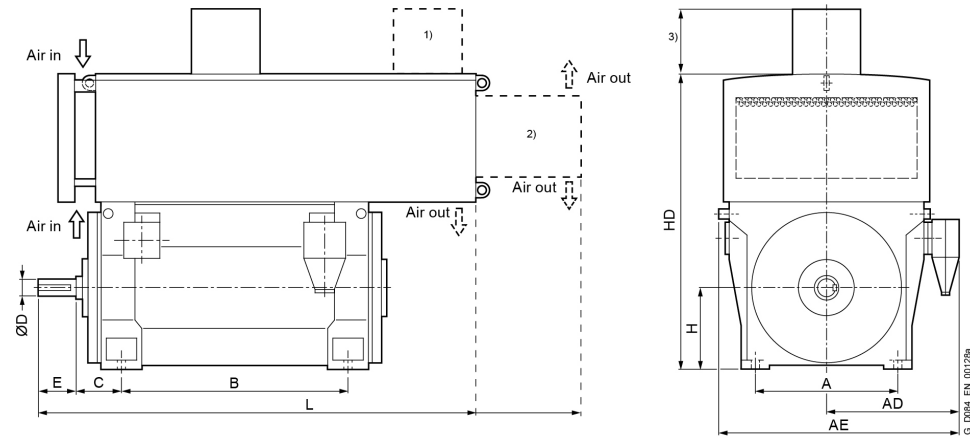
Motor type	Weight	Dimensions										
		A	AD	AE	B	C	D	E	H	HD	L	ML
	kg	mm	mm	mm	mm	mm	mm	mm	mm	mm	mm	mm
Innomotics HV M - 1SB. IC666 11000 V / 50 Hz B3 (IM 1001) - Dimension drawings												
1SB7 568-4MA90-0CA0	11050	1060	1290	2060	1600	335	190	280	560	3650	3480	o.r.
1SB7 568-4MA90-0CC0	11150	1060	1290	2060	1600	600	190	280	560	3650	3750	o.r.
1SB8 633-4MA90-0CG0	11850	1320	1520	2520	1600	375	200	280	630	3210	3920	o.r.
1SB8 633-4MA90-0CJ0	11950	1320	1520	2520	1600	630	200	280	630	3210	4170	o.r.
1SB8 634-4MA90-0CG0	12250	1320	1520	2520	1600	375	200	280	630	3210	3920	o.r.
1SB8 634-4MA90-0CJ0	12400	1320	1520	2520	1600	630	200	280	630	3210	4170	o.r.
1SB8 637-4MA90-0CG0	13250	1320	1520	2520	1800	375	200	280	630	3210	4120	o.r.
1SB8 637-4MA90-0CJ0	13350	1320	1520	2520	1800	630	200	280	630	3210	4370	o.r.
1SB8 638-4MA90-0CG0	13850	1320	1520	2520	1800	375	200	280	630	3210	4120	o.r.
1SB8 638-4MA90-0CJ0	13950	1320	1520	2520	1800	630	200	280	630	3210	4370	o.r.
1SB8 712-4MA90-0CG0	15550	1500	1620	2720	2000	375	220	280	710	4240	3920	o.r.
1SB8 712-4MA90-0CJ0	15650	1500	1620	2720	2000	630	220	280	710	4240	4180	o.r.
1SB8 713-4MA90-0CG0	16200	1500	1620	2720	2000	375	220	280	710	4240	3920	o.r.
1SB8 713-4MA90-0CJ0	16350	1500	1620	2720	2000	630	220	280	710	4240	4180	o.r.
1SB8 714-4MA90-0CG0	17000	1500	1620	2720	2000	375	220	280	710	4240	3920	o.r.
1SB8 714-4MA90-0CJ0	17150	1500	1620	2720	2000	630	220	280	710	4240	4180	o.r.
1SB8 717-4MA90-0CG0	18250	1500	1620	2720	2240	375	220	280	710	4240	4160	o.r.
1SB8 717-4MA90-0CJ0	18400	1500	1620	2720	2240	630	220	280	710	4240	4420	o.r.
1SB8 718-4MA90-0CG0	18850	1500	1620	2720	2240	375	220	280	710	4240	4160	o.r.
1SB8 718-4MA90-0CJ0	19000	1500	1620	2720	2240	630	220	280	710	4240	4420	o.r.
6-pole												
1SB7 452-6MA90-0AA0	4950	850	1140	1760	1180	250	130	200	450	3160	2710	o.r.
1SB7 452-6MA90-0AC0	5000	850	1140	1760	1180	500	130	200	450	3160	2960	o.r.



Motor type	Weight	Dimensions												
		A	AD	AE	B	C	D	E	H	HD	L	ML		
	kg	mm	mm	mm	mm	mm	mm	mm	mm	mm	mm	mm	mm	
Innomotics HV M - 1SB. IC666 11000 V / 50 Hz B3 (IM 1001) - Dimension drawings														
1SB7 452-6MA90-OCA0	5100	850	1140	1760	1180	250	130	200	450	3160	2710	o.r.		
1SB7 452-6MA90-OCC0	5150	850	1140	1760	1180	500	130	200	450	3160	2960	o.r.		
1SB7 453-6MA90-OAA0	5050	850	1140	1760	1180	250	130	200	450	3160	2710	o.r.		
1SB7 453-6MA90-OAC0	5100	850	1140	1760	1180	500	130	200	450	3160	2960	o.r.		
1SB7 453-6MA90-OCA0	5250	850	1140	1760	1180	250	130	200	450	3160	2710	o.r.		
1SB7 453-6MA90-OCC0	5250	850	1140	1760	1180	500	130	200	450	3160	2960	o.r.		
1SB7 454-6MA90-OAA0	5250	850	1140	1760	1180	250	130	200	450	3160	2710	o.r.		
1SB7 454-6MA90-OAC0	5300	850	1140	1760	1180	500	130	200	450	3160	2960	o.r.		
1SB7 454-6MA90-OCA0	5400	850	1140	1760	1180	250	130	200	450	3160	2710	o.r.		
1SB7 454-6MA90-OCC0	5450	850	1140	1760	1180	500	130	200	450	3160	2960	o.r.		
1SB7 457-6MA90-OAA0	5700	850	1140	1760	1400	250	130	200	450	3160	2920	o.r.		
1SB7 457-6MA90-OAC0	5750	850	1140	1760	1400	500	130	200	450	3160	3170	o.r.		
1SB7 457-6MA90-OCA0	5900	850	1140	1760	1400	250	130	200	450	3160	2920	o.r.		
1SB7 457-6MA90-OCC0	5950	850	1140	1760	1400	500	130	200	450	3160	3170	o.r.		
1SB7 458-6MA90-OCA0	6200	850	1140	1760	1400	250	130	200	450	3160	2920	o.r.		
1SB7 458-6MA90-OCC0	6250	850	1140	1760	1400	500	130	200	450	3160	3170	o.r.		
1SB7 458-6MA90-OAA0	6000	850	1140	1760	1400	250	130	200	450	3160	2920	o.r.		
1SB7 458-6MA90-OAC0	6050	850	1140	1760	1400	500	130	200	450	3160	3170	o.r.		
1SB7 502-6MA90-OCA0	7150	950	1220	1920	1320	315	160	240	500	3370	3060	o.r.		
1SB7 502-6MA90-OCC0	7200	950	1220	1920	1320	560	170	240	500	3370	3300	o.r.		
1SB7 502-6MA90-OAA0	6950	950	1220	1920	1320	315	160	240	500	3370	3060	o.r.		
1SB7 502-6MA90-OAC0	7000	950	1220	1920	1320	560	170	240	500	3370	3300	o.r.		
1SB7 503-6MA90-OCA0	7400	950	1220	1920	1320	315	160	240	500	3370	3060	o.r.		

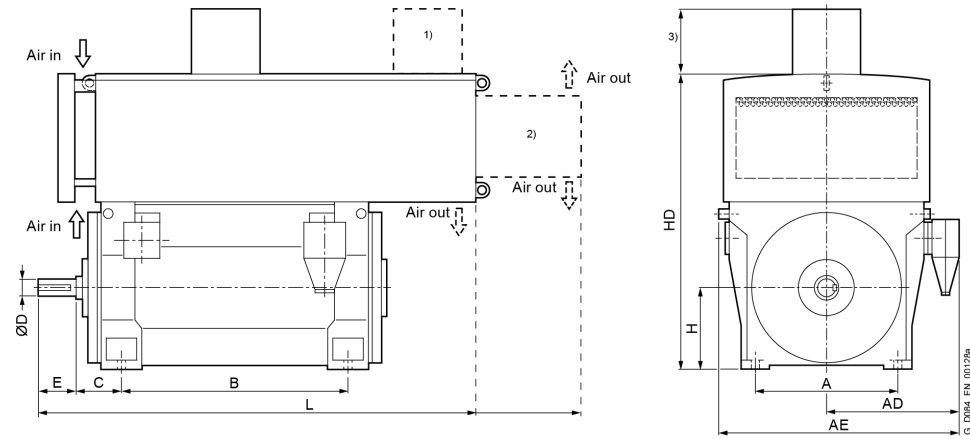


Motor type	Weight	Dimensions										
		A	AD	AE	B	C	D	E	H	HD	L	ML
	kg	mm	mm	mm	mm	mm	mm	mm	mm	mm	mm	mm
Innomotics HV M - 1SB. IC666 11000 V / 50 Hz B3 (IM 1001) - Dimension drawings												
1SB7 503-6MA90-0CC0	7450	950	1220	1920	1320	560	170	240	500	3370	3300	o.r.
1SB7 503-6MA90-0AA0	7150	950	1220	1920	1320	315	160	240	500	3370	3060	o.r.
1SB7 503-6MA90-0AC0	7250	950	1220	1920	1320	560	170	240	500	3370	3300	o.r.
1SB7 504-6MA90-0AA0	7400	950	1220	1920	1320	315	160	240	500	3370	3060	o.r.
1SB7 504-6MA90-0AC0	7450	950	1220	1920	1320	560	170	240	500	3370	3300	o.r.
1SB7 504-6MA90-0CA0	7650	950	1220	1920	1320	315	160	240	500	3370	3060	o.r.
1SB7 504-6MA90-0CC0	7750	950	1220	1920	1320	560	170	240	500	3370	3300	o.r.
1SB7 507-6MA90-0CA0	8400	950	1220	1920	1500	315	160	240	500	3370	3270	o.r.
1SB7 507-6MA90-0CC0	8450	950	1220	1920	1500	560	170	240	500	3370	3510	o.r.
1SB7 507-6MA90-0AA0	8150	950	1220	1920	1500	315	160	240	500	3370	3270	o.r.
1SB7 507-6MA90-0AC0	8200	950	1220	1920	1500	560	170	240	500	3370	3510	o.r.
1SB7 508-6MA90-0AA0	8500	950	1220	1920	1500	315	160	240	500	3370	3270	o.r.
1SB7 508-6MA90-0AC0	8550	950	1220	1920	1500	560	170	240	500	3370	3510	o.r.
1SB7 508-6MA90-0CA0	8750	950	1220	1920	1500	315	160	240	500	3370	3270	o.r.
1SB7 508-6MA90-0CC0	8800	950	1220	1920	1500	560	170	240	500	3370	3510	o.r.
1SB7 561-6MA90-0CA0	8900	1060	1290	2060	1400	335	190	280	560	3650	3250	o.r.
1SB7 561-6MA90-0CC0	9000	1060	1290	2060	1400	600	190	280	560	3650	3520	o.r.
1SB7 562-6MA90-0CA0	9250	1060	1290	2060	1400	335	190	280	560	3650	3250	o.r.
1SB7 562-6MA90-0CC0	9350	1060	1290	2060	1400	600	190	280	560	3650	3520	o.r.
1SB7 564-6MA90-0CA0	9900	1060	1290	2060	1400	335	190	280	560	3650	3250	o.r.
1SB7 564-6MA90-0CC0	10000	1060	1290	2060	1400	600	190	280	560	3650	3520	o.r.
1SB7 567-6MA90-0CA0	10750	1060	1290	2060	1600	335	190	280	560	3650	3480	o.r.
1SB7 567-6MA90-0CC0	10800	1060	1290	2060	1600	600	190	280	560	3650	3750	o.r.

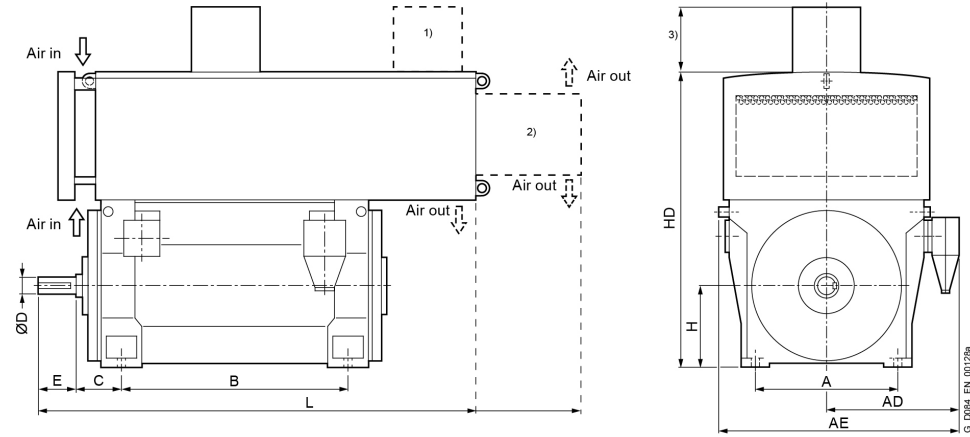


Motor type	Weight	Dimensions										
		A	AD	AE	B	C	D	E	H	HD	L	ML
	kg	mm	mm	mm	mm	mm	mm	mm	mm	mm	mm	mm
Innomotics HV M - 1SB. IC666 11000 V / 50 Hz B3 (IM 1001) - Dimension drawings												
1SB7 568-6MA90-0CA0	11300	1060	1290	2060	1600	335	190	280	560	3650	3480	o.r.
1SB7 568-6MA90-0CC0	11400	1060	1290	2060	1600	600	190	280	560	3650	3750	o.r.
1SB8 632-6MA90-0CG0	11700	1320	1520	2520	1600	375	200	280	630	3210	3920	o.r.
1SB8 632-6MA90-0CJ0	11800	1320	1520	2520	1600	630	200	280	630	3210	4170	o.r.
1SB8 633-6MA90-0CG0	12150	1320	1520	2520	1600	375	200	280	630	3210	3920	o.r.
1SB8 633-6MA90-0CJ0	12250	1320	1520	2520	1600	630	200	280	630	3210	4170	o.r.
1SB8 634-6MA90-0CG0	12650	1320	1520	2520	1600	375	200	280	630	3210	3920	o.r.
1SB8 634-6MA90-0CJ0	12800	1320	1520	2520	1600	630	200	280	630	3210	4170	o.r.
1SB8 637-6MA90-0CG0	13500	1320	1520	2520	1800	375	200	280	630	3210	4120	o.r.
1SB8 637-6MA90-0CJ0	13600	1320	1520	2520	1800	630	200	280	630	3210	4370	o.r.
1SB8 638-6MA90-0CG0	14000	1320	1520	2520	1800	375	200	280	630	3210	4120	o.r.
1SB8 638-6MA90-0CJ0	14100	1320	1520	2520	1800	630	200	280	630	3210	4370	o.r.
1SB8 712-6MA90-0CG0	15500	1500	1620	2720	2000	375	220	280	710	4240	3920	o.r.
1SB8 712-6MA90-0CJ0	15650	1500	1620	2720	2000	630	220	280	710	4240	4180	o.r.
1SB8 713-6MA90-0CG0	16400	1500	1620	2720	2000	375	220	280	710	4240	3920	o.r.
1SB8 713-6MA90-0CJ0	16550	1500	1620	2720	2000	630	220	280	710	4240	4180	o.r.
1SB8 714-6MA90-0CG0	17400	1500	1620	2720	2000	375	220	280	710	4240	3920	o.r.
1SB8 714-6MA90-0CJ0	17550	1500	1620	2720	2000	630	220	280	710	4240	4180	o.r.
1SB8 717-6MA90-0CG0	19000	1500	1620	2720	2240	375	220	280	710	4240	4160	o.r.
1SB8 717-6MA90-0CJ0	19150	1500	1620	2720	2240	630	220	280	710	4240	4420	o.r.
1SB8 718-6MA90-0CG0	20050	1500	1620	2720	2240	375	220	280	710	4240	4160	o.r.
1SB8 718-6MA90-0CJ0	20150	1500	1620	2720	2240	630	220	280	710	4240	4420	o.r.

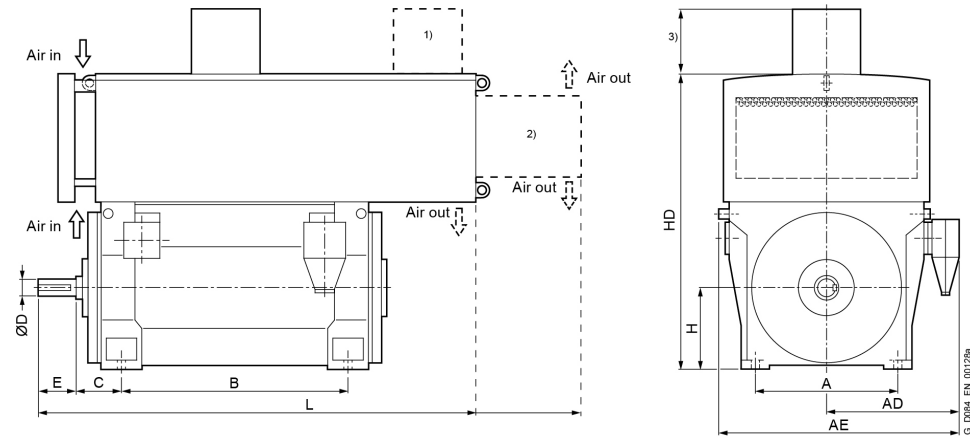
8-pole



Motor type	Weight	Dimensions										
		A	AD	AE	B	C	D	E	H	HD	L	ML
	kg	mm	mm	mm	mm	mm	mm	mm	mm	mm	mm	mm
Innomotics HV M - 1SB. IC666 11000 V / 50 Hz B3 (IM 1001) - Dimension drawings												
1SB7 451-8MA90-0AA0	4900	850	1140	1760	1180	250	130	200	450	3160	2710	o.r.
1SB7 451-8MA90-0AC0	4950	850	1140	1760	1180	500	130	200	450	3160	2960	o.r.
1SB7 451-8MA90-0CA0	5050	850	1140	1760	1180	250	130	200	450	3160	2710	o.r.
1SB7 451-8MA90-0CC0	5050	850	1140	1760	1180	500	130	200	450	3160	2960	o.r.
1SB7 452-8MA90-0AA0	5050	850	1140	1760	1180	250	130	200	450	3160	2710	o.r.
1SB7 452-8MA90-0AC0	5100	850	1140	1760	1180	500	130	200	450	3160	2960	o.r.
1SB7 452-8MA90-0CA0	5200	850	1140	1760	1180	250	130	200	450	3160	2710	o.r.
1SB7 452-8MA90-0CC0	5250	850	1140	1760	1180	500	130	200	450	3160	2960	o.r.
1SB7 453-8MA90-0AA0	5250	850	1140	1760	1180	250	130	200	450	3160	2710	o.r.
1SB7 453-8MA90-0AC0	5300	850	1140	1760	1180	500	130	200	450	3160	2960	o.r.
1SB7 453-8MA90-0CA0	5400	850	1140	1760	1180	250	130	200	450	3160	2710	o.r.
1SB7 453-8MA90-0CC0	5450	850	1140	1760	1180	500	130	200	450	3160	2960	o.r.
1SB7 454-8MA90-0AA0	5500	850	1140	1760	1180	250	130	200	450	3160	2710	o.r.
1SB7 454-8MA90-0AC0	5500	850	1140	1760	1180	500	130	200	450	3160	2960	o.r.
1SB7 454-8MA90-0CA0	5650	850	1140	1760	1180	250	130	200	450	3160	2710	o.r.
1SB7 454-8MA90-0CC0	5700	850	1140	1760	1180	500	130	200	450	3160	2960	o.r.
1SB7 457-8MA90-0AA0	6000	850	1140	1760	1400	250	130	200	450	3160	2920	o.r.
1SB7 457-8MA90-0AC0	6000	850	1140	1760	1400	500	130	200	450	3160	3170	o.r.
1SB7 457-8MA90-0CA0	6150	850	1140	1760	1400	250	130	200	450	3160	2920	o.r.
1SB7 457-8MA90-0CC0	6200	850	1140	1760	1400	500	130	200	450	3160	3170	o.r.
1SB7 458-8MA90-0AA0	6250	850	1140	1760	1400	250	130	200	450	3160	2920	o.r.
1SB7 458-8MA90-0AC0	6250	850	1140	1760	1400	500	130	200	450	3160	3170	o.r.
1SB7 458-8MA90-0CA0	6450	850	1140	1760	1400	250	130	200	450	3160	2920	o.r.

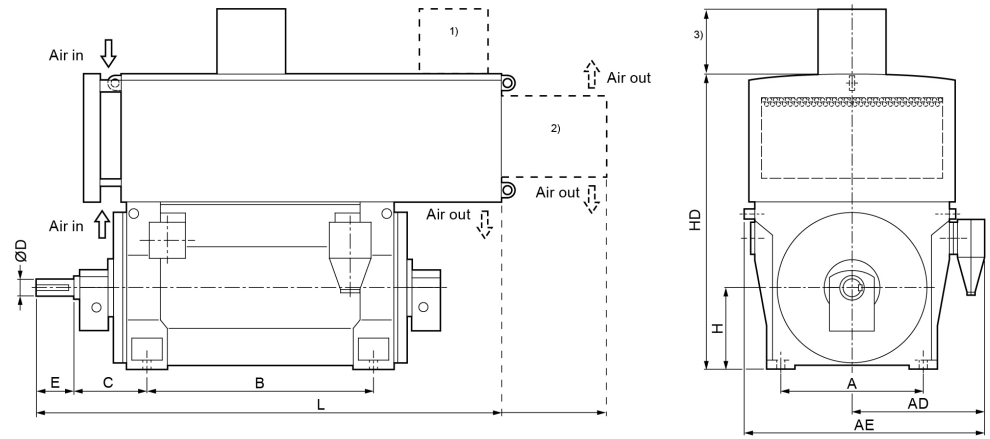


Motor type	Weight	Dimensions												
		A	AD	AE	B	C	D	E	H	HD	L	ML		
	kg	mm	mm	mm	mm	mm	mm	mm	mm	mm	mm	mm	mm	
Innomotics HV M - 1SB. IC666 11000 V / 50 Hz B3 (IM 1001) - Dimension drawings														
1SB7 458-8MA90-0CC0	6450	850	1140	1760	1400	500	130	200	450	3160	3170	o.r.		
1SB7 501-8MA90-0AA0	6200	950	1220	1920	1320	315	160	240	500	3370	3060	o.r.		
1SB7 501-8MA90-0AC0	6200	950	1220	1920	1320	560	170	240	500	3370	3300	o.r.		
1SB7 501-8MA90-0CA0	6350	950	1220	1920	1320	315	160	240	500	3370	3060	o.r.		
1SB7 501-8MA90-0CC0	6350	950	1220	1920	1320	560	170	240	500	3370	3300	o.r.		
1SB7 502-8MA90-0AA0	6950	950	1220	1920	1320	315	160	240	500	3370	3060	o.r.		
1SB7 502-8MA90-0AC0	7000	950	1220	1920	1320	560	170	240	500	3370	3300	o.r.		
1SB7 502-8MA90-0CA0	7150	950	1220	1920	1320	315	160	240	500	3370	3060	o.r.		
1SB7 502-8MA90-0CC0	7200	950	1220	1920	1320	560	170	240	500	3370	3300	o.r.		
1SB7 503-8MA90-0AA0	7200	950	1220	1920	1320	315	160	240	500	3370	3060	o.r.		
1SB7 503-8MA90-0AC0	7250	950	1220	1920	1320	560	170	240	500	3370	3300	o.r.		
1SB7 507-8MA90-0AA0	8150	950	1220	1920	1500	315	160	240	500	3370	3270	o.r.		
1SB7 507-8MA90-0AC0	8200	950	1220	1920	1500	560	170	240	500	3370	3510	o.r.		
1SB7 507-8MA90-0CA0	8400	950	1220	1920	1500	315	160	240	500	3370	3270	o.r.		
1SB7 507-8MA90-0CC0	8450	950	1220	1920	1500	560	170	240	500	3370	3510	o.r.		
1SB7 508-8MA90-0AA0	8500	950	1220	1920	1500	315	160	240	500	3370	3270	o.r.		
1SB7 508-8MA90-0AC0	8550	950	1220	1920	1500	560	170	240	500	3370	3510	o.r.		
1SB7 508-8MA90-0CA0	8750	950	1220	1920	1500	315	160	240	500	3370	3270	o.r.		
1SB7 508-8MA90-0CC0	8800	950	1220	1920	1500	560	170	240	500	3370	3510	o.r.		
1SB7 563-8MA90-0CA0	9400	1060	1290	2060	1400	335	190	280	560	3650	3250	o.r.		
1SB7 563-8MA90-0CC0	9500	1060	1290	2060	1400	600	190	280	560	3650	3520	o.r.		
1SB7 564-8MA90-0CA0	9850	1060	1290	2060	1400	335	190	280	560	3650	3250	o.r.		
1SB7 564-8MA90-0CC0	9950	1060	1290	2060	1400	600	190	280	560	3650	3520	o.r.		



Motor type	Weight	Dimensions										
		A	AD	AE	B	C	D	E	H	HD	L	ML
	kg	mm	mm	mm	mm	mm	mm	mm	mm	mm	mm	mm
Innomotics HV M - 1SB. IC666 11000 V / 50 Hz B3 (IM 1001) - Dimension drawings												
1SB7 567-8MA90-0CA0	10750	1060	1290	2060	1600	335	190	280	560	3650	3480	o.r.
1SB7 567-8MA90-0CC0	10800	1060	1290	2060	1600	600	190	280	560	3650	3750	o.r.
1SB7 568-8MA90-0CA0	11250	1060	1290	2060	1600	335	190	280	560	3650	3480	o.r.
1SB7 568-8MA90-0CC0	11350	1060	1290	2060	1600	600	190	280	560	3650	3750	o.r.
1SB8 634-8MA90-0CG0	11750	1320	1520	2520	1600	375	200	280	630	3210	3920	o.r.
1SB8 634-8MA90-0CJ0	11850	1320	1520	2520	1600	630	200	280	630	3210	4170	o.r.
1SB8 637-8MA90-0CG0	13000	1320	1520	2520	1800	375	200	280	630	3210	4120	o.r.
1SB8 637-8MA90-0CJ0	13100	1320	1520	2520	1800	630	200	280	630	3210	4370	o.r.
1SB8 638-8MA90-0CG0	13700	1320	1520	2520	1800	375	200	280	630	3210	4120	o.r.
1SB8 638-8MA90-0CJ0	13800	1320	1520	2520	1800	630	200	280	630	3210	4370	o.r.
1SB8 712-8MA90-0CG0	14900	1500	1620	2720	2000	375	220	280	710	4150	3920	o.r.
1SB8 712-8MA90-0CJ0	15050	1500	1620	2720	2000	630	220	280	710	4150	4180	o.r.
1SB8 713-8MA90-0CG0	15700	1500	1620	2720	2000	375	220	280	710	4150	3920	o.r.
1SB8 713-8MA90-0CJ0	15850	1500	1620	2720	2000	630	220	280	710	4150	4180	o.r.
1SB8 714-8MA90-0CG0	16750	1500	1620	2720	2000	375	220	280	710	4150	3920	o.r.
1SB8 714-8MA90-0CJ0	16950	1500	1620	2720	2000	630	220	280	710	4150	4180	o.r.
1SB8 717-8MA90-0CG0	18400	1500	1620	2720	2240	375	220	280	710	4150	4160	o.r.
1SB8 717-8MA90-0CJ0	18600	1500	1620	2720	2240	630	220	280	710	4150	4420	o.r.
1SB8 718-8MA90-0CG0	19450	1500	1620	2720	2240	375	220	280	710	4150	4160	o.r.
1SB8 718-8MA90-0CJ0	19650	1500	1620	2720	2240	630	220	280	710	4150	4420	o.r.

Innomotics HV M - 1SB. IC666 13800 V / 60 Hz B3 (IM 1001)																			
Rated power IEC	Article No.	Speed	Rated current I_R	Efficiency				Power factor				Torque T_R	Breakdown torque T_B/ T_R	Locked rotor torque T_{LR}/ T_R	Locked rotor current I_{LR}/ I_R	Inertia			
				5/4 load	4/4 load	3/4 load	2/4 load	5/4 load	4/4 load	3/4 load	2/4 load					rotor	external	Startup max T/TR	
kW		rpm	A	%	%	%	%	$\cos \varphi$	$\cos \varphi$	$\cos \varphi$	$\cos \varphi$	Nm	[-]	[-]	[-]	kgm ²	kgm ²	[-]	
2-pole: $n_{sync} = 3600$ rpm at 60 Hz																			
4800	1SB8 633-2MA20-0CJ0	3587	235	95.7	95.8	94.9	93.1	0.89	0.90	0.90	0.87	12779	2.50	0.65	6.0	82	220	o.r.	
5900	1SB8 637-2MA20-0CJ0	3588	280	96.2	96.2	95.5	93.9	0.90	0.91	0.91	0.88	15703	2.60	0.60	6.0	98	240	o.r.	
7400	1SB8 714-2MA20-0CJ0	3589	355	96.1	95.9	95.2	93.5	0.90	0.91	0.91	0.89	19689	2.40	0.60	6.0	172	170	o.r.	
8500	1SB8 717-2MA20-0CJ0	3589	405	96.3	96.2	95.5	93.9	0.90	0.91	0.91	0.90	22616	2.50	0.55	6.0	200	180	o.r.	
4-pole: $n_{sync} = 1800$ rpm at 60 Hz																			
4950	1SB8 633-4MA20-0C.0	1792	240	96.2	96.3	96.0	94.9	0.89	0.90	0.88	0.84	26378	2.55	0.55	6.0	150	600	o.r.	
5700	1SB8 637-4MA20-0C.0	1792	270	96.4	96.6	96.4	95.4	0.89	0.91	0.90	0.88	30374	2.50	0.60	6.0	182	730	o.r.	
7250	1SB8 713-4MA20-0C.0	1793	345	96.6	96.8	96.6	95.7	0.89	0.91	0.90	0.87	38613	2.60	0.45	6.0	282	680	o.r.	
8800	1SB8 717-4MA20-0C.0	1793	415	96.9	97.0	96.9	96.2	0.90	0.91	0.91	0.88	46868	2.60	0.45	6.0	344	970	o.r.	
6-pole: $n_{sync} = 1200$ rpm at 60 Hz																			
4000	1SB8 633-6MA20-0C.0	1193	198	95.9	96.2	96.1	95.3	0.86	0.88	0.85	0.79	32018	2.40	0.55	5.5	209	1060	o.r.	
4850	1SB8 637-6MA20-0C.0	1193	240	96.3	96.5	96.4	95.6	0.86	0.88	0.85	0.79	38822	2.40	0.55	5.5	246	1560	o.r.	
6800	1SB8 714-6MA20-0C.0	1195	335	96.8	97.0	97.0	96.4	0.87	0.88	0.86	0.81	54339	2.40	0.50	5.5	421	1830	o.r.	
7500	1SB8 717-6MA20-0C.0	1195	365	96.9	97.2	97.1	96.5	0.87	0.88	0.87	0.82	59933	2.40	0.50	5.5	475	2090	o.r.	



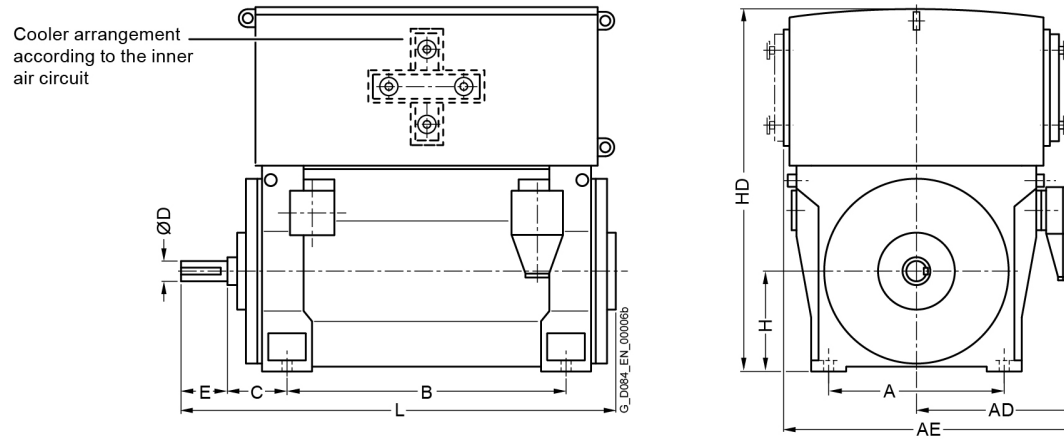
Motor type	Weight	Dimensions										
		A	AD	AE	B	C	D	E	H	HD	L	ML
	kg	mm	mm	mm	mm	mm	mm	mm	mm	mm	mm	mm
Innomotics HV M - 1SB. IC666 13800 V / 60 Hz B3 (IM 1001) - Dimension drawings												
2-pole												
1SB8 633-2MA20-0CJ0	11000	1320	1647	2647	1600	560	160	240	630	4400	4060	o.r.
1SB8 637-2MA20-0CJ0	12400	1320	1647	2647	1800	560	160	240	630	4400	4260	o.r.
1SB8 714-2MA20-0CJ0	15550	1500	1747	2847	2000	560	180	240	710	4290	4070	o.r.
1SB8 717-2MA20-0CJ0	17450	1500	1747	2847	2240	560	180	240	710	4290	4310	o.r.
4-pole												
1SB8 633-4MA20-0CG0	11750	1320	1647	2647	1600	375	200	280	630	4400	3920	o.r.
1SB8 633-4MA20-0CJ0	11850	1320	1647	2647	1600	630	200	280	630	4400	4170	o.r.
1SB8 637-4MA20-0CG0	13150	1320	1647	2647	1800	375	200	280	630	4400	4120	o.r.
1SB8 637-4MA20-0CJ0	13250	1320	1647	2647	1800	630	200	280	630	4400	4370	o.r.
1SB8 713-4MA20-0CG0	16000	1500	1747	2847	2000	375	220	280	710	4290	3920	o.r.
1SB8 713-4MA20-0CJ0	16150	1500	1747	2847	2000	630	220	280	710	4290	4180	o.r.
1SB8 717-4MA20-0CG0	18200	1500	1747	2847	2240	375	220	280	710	4290	4160	o.r.
1SB8 717-4MA20-0CJ0	18350	1500	1747	2847	2240	630	220	280	710	4290	4420	o.r.
6-pole												
1SB8 633-6MA20-0CG0	12000	1320	1647	2647	1600	375	200	280	630	4320	3920	o.r.
1SB8 633-6MA20-0CJ0	12100	1320	1647	2647	1600	630	200	280	630	4320	4170	o.r.
1SB8 637-6MA20-0CG0	13350	1320	1647	2647	1800	375	200	280	630	4320	4120	o.r.
1SB8 637-6MA20-0CJ0	13500	1320	1647	2647	1800	630	200	280	630	4320	4370	o.r.
1SB8 714-6MA20-0CG0	17300	1500	1747	2847	2000	375	220	280	710	4290	3920	o.r.
1SB8 714-6MA20-0CJ0	17450	1500	1747	2847	2000	630	220	280	710	4290	4180	o.r.
1SB8 717-6MA20-0CG0	18900	1500	1747	2847	2240	375	220	280	710	4290	4160	o.r.
1SB8 717-6MA20-0CJ0	19000	1500	1747	2847	2240	630	220	280	710	4290	4420	o.r.

Innomotics HV M - 1SQ. IC81W 6000 V / 50 Hz B3 (IM 1001)																		
Rated power IEC kW	Article No.	Speed	Rated current	Efficiency				Power factor				Torque	Breakdown torque	Locked rotor torque	Locked rotor current	Inertia		
		rpm	I_R A	5/4 load %	4/4 load %	3/4 load %	2/4 load %	5/4 load $\cos \varphi$	4/4 load $\cos \varphi$	3/4 load $\cos \varphi$	2/4 load $\cos \varphi$	T_R Nm	T_B/ T_R [-]	T_{LR}/ T_R [-]	I_{LR}/ I_R [-]	motor kgm ²	external kgm ²	Startup max T/TR [-]
2-pole: n_{sync} = 3000 rpm at 50 Hz																		
1750	1SQ7 453-2NA60-0A.0	2971	200	95.2	96.1	96.5	96.5	0.85	0.88	0.88	0.86	5627	1.90	0.45	4.6	10	45	o.r.
1790	1SQ7 453-2NA60-0C.0	2971	200	95.2	96.1	96.6	96.5	0.85	0.89	0.89	0.87	5755	1.90	0.50	4.2	14	115	o.r.
1910	1SQ7 454-2NA60-0A.2	2974	215	95.5	96.3	96.6	96.4	0.86	0.88	0.88	0.85	6135	2.05	0.45	4.8	11	50	o.r.
1960	1SQ7 454-2NA60-0C.0	2974	220	95.5	96.2	96.6	96.5	0.86	0.89	0.89	0.87	6296	2.00	0.50	4.5	15	120	o.r.
2000	1SQ7 457-2NA60-0A.2	2975	220	95.7	96.5	96.7	96.5	0.88	0.90	0.90	0.86	6426	2.25	0.55	5.2	12	60	o.r.
2040	1SQ7 457-2NA60-0C.0	2975	225	95.7	96.4	96.7	96.6	0.89	0.90	0.90	0.88	6553	2.15	0.55	4.8	16	140	o.r.
2240	1SQ7 458-2NA60-0A.2	2975	250	95.9	96.6	96.9	96.7	0.88	0.90	0.90	0.87	7192	2.25	0.55	5.2	13	65	o.r.
2310	1SQ7 458-2NA60-0C.0	2975	255	95.9	96.5	96.9	96.8	0.88	0.90	0.90	0.88	7422	2.15	0.55	4.8	18	140	o.r.
2600	1SQ7 503-2NA60-0A.0	2962	295	95.5	96.3	96.8	97.0	0.87	0.88	0.89	0.86	8384	2.05	0.50	3.9	15	32	o.r.
2600	1SQ7 503-2NA60-0C.0	2970	295	95.8	96.5	97.0	97.1	0.87	0.88	0.89	0.87	8361	2.00	0.55	3.8	20	116	o.r.
2670	1SQ7 504-2NA60-0A.0	2964	300	95.6	96.3	96.8	97.0	0.88	0.89	0.89	0.87	8610	2.15	0.50	4.2	15	40	o.r.
2780	1SQ7 504-2NA60-0C.0	2970	310	95.8	96.5	97.0	97.1	0.87	0.89	0.90	0.87	8942	2.05	0.55	3.9	21	108	o.r.
3100	1SQ7 507-2NA60-0A.0	2966	345	96.0	96.6	97.1	97.2	0.88	0.90	0.90	0.86	9986	2.25	0.60	4.5	18	46	o.r.
3260	1SQ7 507-2NA60-0C.2	2971	365	96.2	96.8	97.2	97.3	0.88	0.89	0.90	0.88	10480	2.10	0.65	4.1	24	108	o.r.
3350	1SQ7 508-2NA60-0A.2	2972	365	96.3	96.9	97.2	97.2	0.90	0.91	0.90	0.85	10767	2.60	0.70	5.4	20	74	o.r.
3550	1SQ7 508-2NA60-0C.2	2976	385	96.5	97.0	97.3	97.3	0.90	0.91	0.91	0.88	11399	2.40	0.70	4.9	27	134	o.r.
4050	1SQ7 562-2NA60-0CC2	2978	445	96.3	96.8	96.9	96.7	0.88	0.90	0.90	0.87	12988	2.05	0.55	4.6	41	245	o.r.
4500	1SQ7 563-2NA60-0CC2	2978	500	96.5	96.8	97.1	96.9	0.88	0.89	0.90	0.87	14432	2.00	0.50	4.5	44	230	o.r.
5000	1SQ7 564-2NA60-0CC2	2979	550	96.6	96.9	97.1	96.9	0.90	0.91	0.90	0.88	16029	2.15	0.50	4.8	47	250	o.r.
5600	1SQ7 567-2NA60-0CC2	2980	610	96.8	97.0	97.3	97.1	0.90	0.91	0.91	0.88	17951	2.10	0.55	4.8	52	255	o.r.
6400	1SQ7 568-2NA60-0CC2	2982	700	97.1	97.3	97.4	97.1	0.90	0.91	0.91	0.88	20512	2.25	0.50	5.1	58	270	o.r.
7200	1SQ8 633-2NA60-0CJ0	2978	800	96.5	97.1	97.1	96.8	0.85	0.89	0.89	0.89	23088	1.90	0.50	4.3	82	200	o.r.
7900	1SQ8 634-2NA60-0CJ0	2980	880	96.7	97.2	97.2	96.9	0.86	0.89	0.90	0.89	25315	2.00	0.50	4.6	90	210	o.r.
8750	1SQ8 637-2NA60-0CJ0	2981	960	97.0	97.4	97.4	97.1	0.88	0.90	0.91	0.90	28030	2.10	0.55	5.0	99	220	o.r.
9700	1SQ8 638-2NA60-0CJ0	2981	1060	97.0	97.5	97.5	97.2	0.88	0.90	0.91	0.90	31073	2.15	0.60	5.0	108	210	o.r.
10150	1SQ8 712-2NA60-0CJ0	2982	1140	96.6	97.1	97.1	96.7	0.83	0.88	0.89	0.89	32503	1.70	0.45	4.0	149	150	o.r.
11150	1SQ8 713-2NA60-0CJ0	2981	1280	96.6	97.1	97.2	96.9	0.82	0.87	0.88	0.89	35718	1.65	0.45	3.8	160	130	o.r.
11600	1SQ8 714-2NA60-0CJ0	2983	1300	96.8	97.2	97.3	96.9	0.85	0.89	0.90	0.90	37134	1.80	0.40	4.2	173	160	o.r.
13000	1SQ8 716-2NA60-0CJ0	2984	1420	97.1	97.4	97.4	97.0	0.87	0.90	0.91	0.90	41602	1.90	0.50	4.5	186	140	o.r.
14650	1SQ8 717-2NA60-0CJ0	2984	1600	97.3	97.6	97.5	97.2	0.87	0.90	0.91	0.90	46882	1.90	0.50	4.5	201	120	o.r.
15000	1SQ8 718-2NA60-0CJ0	2983	1620	97.2	97.6	97.7	97.4	0.87	0.91	0.92	0.92	48019	1.90	0.50	4.4	220	120	o.r.
4-pole: n_{sync} = 1500 rpm at 50 Hz																		
1620	1SQ7 453-4NA60-0C.2	1483	184	95.2	96.1	96.5	96.6	0.86	0.88	0.87	0.82	10433	2.00	0.50	5.0	23	465	o.r.
1550	1SQ7 453-4NA60-0A.0	1479	176	94.8	95.8	96.3	96.5	0.87	0.88	0.87	0.83	10014	2.15	0.65	5.0	17	225	o.r.
1680	1SQ7 454-4NA60-0A.0	1481	196	95.2	96.0	96.3	96.4	0.85	0.86	0.82	0.73	10836	2.30	0.65	5.2	19	275	o.r.
1800	1SQ7 454-4NA60-0C.2	1483	205	95.2	96.2	96.5	96.6	0.85	0.87	0.84	0.78	11603	2.05	0.50	5.0	25	475	o.r.

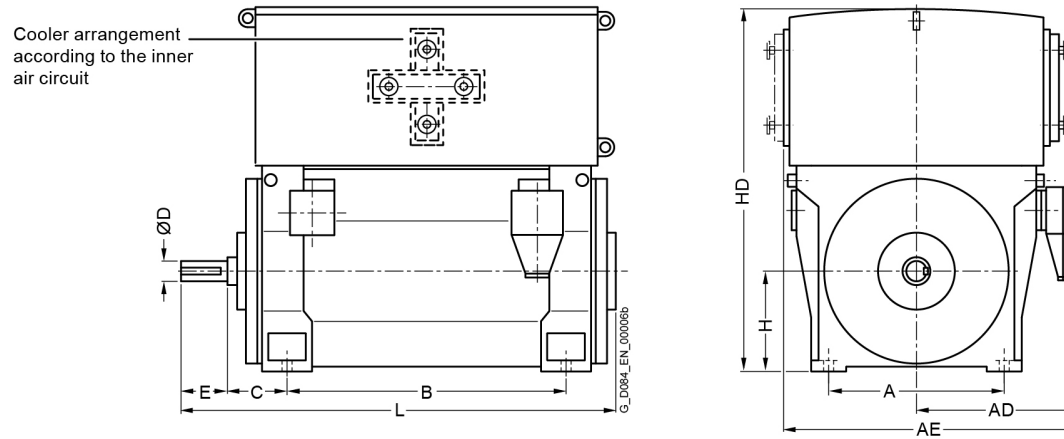
Innomotics HV M - 1SQ. IC81W 6000 V / 50 Hz B3 (IM 1001)																		
Rated power IEC	Article No.	Speed	Rated current I_R	Efficiency				Power factor				Torque T_R	Breakdown torque T_B/ T_R	Locked torque T_{LR}/ T_R	Locked rotor current I_{LR}/ I_R	Inertia		
				5/4 load	4/4 load	3/4 load	2/4 load	5/4 load	4/4 load	3/4 load	2/4 load					motor	external	Startup max T/TR
kW		rpm	A	%	%	%	%	cos φ	cos φ	cos φ	cos φ	Nm	[-]	[-]	[-]	kgm ²	kgm ²	[-]
1930	1SQ7 457-4NA60-0A.2	1482	215	95.4	96.2	96.6	96.7	0.88	0.89	0.88	0.84	12442	2.40	0.75	5.6	22	350	o.r.
2020	1SQ7 457-4NA60-0C.2	1485	225	95.7	96.4	96.8	96.9	0.88	0.89	0.88	0.85	12996	2.25	0.55	5.0	30	635	o.r.
2080	1SQ7 458-4NA60-0A.0	1483	235	95.7	96.3	96.7	96.8	0.89	0.89	0.88	0.83	13401	2.60	0.80	5.8	24	395	o.r.
2240	1SQ7 458-4NA60-0C.2	1485	250	95.8	96.5	96.9	97.0	0.88	0.89	0.89	0.85	14412	2.25	0.55	5.0	33	660	o.r.
2500	1SQ7 503-4NA60-0A.2	1485	285	95.9	96.6	97.0	97.1	0.87	0.88	0.87	0.83	16098	2.15	0.75	4.9	37	545	o.r.
2550	1SQ7 503-4NA60-0C.2	1486	290	96.0	96.6	97.1	97.1	0.87	0.88	0.88	0.84	16405	2.10	0.55	4.4	45	600	o.r.
2770	1SQ7 504-4NA60-0A.2	1486	310	96.1	96.7	97.1	97.1	0.88	0.89	0.87	0.83	17830	2.25	0.80	5.0	40	585	o.r.
2800	1SQ7 504-4NA60-0C.2	1487	315	96.1	96.7	97.2	97.1	0.88	0.89	0.88	0.84	18003	2.15	0.55	4.5	50	665	o.r.
3100	1SQ7 507-4NA60-0A.2	1485	350	96.2	96.8	97.2	97.3	0.87	0.88	0.88	0.85	19963	2.20	0.75	4.9	46	655	o.r.
3150	1SQ7 507-4NA60-0C.2	1487	350	96.3	96.9	97.3	97.3	0.88	0.89	0.89	0.86	20255	2.15	0.55	4.5	56	700	o.r.
3480	1SQ7 508-4NA60-0C.2	1489	390	96.5	97.0	97.3	97.3	0.87	0.88	0.88	0.83	22352	2.20	0.55	4.6	62	805	o.r.
3260	1SQ7 508-4NA60-0A.2	1485	365	96.2	96.8	97.3	97.3	0.88	0.89	0.89	0.86	20989	2.35	0.85	5.2	50	705	o.r.
3550	1SQ7 562-4NA60-0C.2	1489	401	96.4	96.9	97.3	97.3	0.86	0.88	0.87	0.84	22792	2.05	0.60	4.8	74	615	o.r.
4000	1SQ7 563-4NA60-0C.2	1488	451	96.4	96.9	97.4	97.4	0.86	0.88	0.87	0.85	25692	2.00	0.60	4.7	80	580	o.r.
4600	1SQ7 564-4NA60-0C.2	1489	519	96.6	97.0	97.5	97.4	0.87	0.88	0.88	0.85	29535	2.05	0.60	4.8	90	685	o.r.
5100	1SQ7 566-4NA60-0C.2	1489	567	96.8	97.2	97.6	97.5	0.88	0.89	0.88	0.85	32724	2.15	0.65	5.1	100	735	o.r.
5700	1SQ7 567-4NA60-0C.2	1489	633	96.9	97.3	97.7	97.6	0.88	0.89	0.89	0.86	36573	2.15	0.65	5.2	110	760	o.r.
6300	1SQ7 568-4NA60-0C.2	1490	699	97.0	97.4	97.7	97.7	0.88	0.89	0.89	0.85	40402	2.25	0.70	5.4	119	760	o.r.
6650	1SQ8 633-4NA60-0C.0	1489	750	96.7	97.3	97.6	97.5	0.86	0.88	0.89	0.86	42648	2.00	0.50	4.7	151	540	o.r.
7150	1SQ8 634-4NA60-0C.0	1489	790	96.7	97.3	97.6	97.6	0.86	0.89	0.89	0.87	45855	2.00	0.50	4.8	166	640	o.r.
8100	1SQ8 637-4NA60-0C.0	1489	900	96.9	97.4	97.7	97.6	0.87	0.89	0.89	0.86	51947	2.10	0.50	5.0	182	650	o.r.
9300	1SQ8 638-4NA60-0C.0	1490	1040	97.1	97.6	97.8	97.7	0.87	0.89	0.88	0.85	59603	2.10	0.50	5.0	198	670	o.r.
9600	1SQ8 712-4NA60-0C.0	1490	1060	97.1	97.6	97.8	97.7	0.87	0.89	0.89	0.86	61526	2.15	0.45	4.9	259	650	o.r.
10450	1SQ8 713-4NA60-0C.0	1490	1140	97.2	97.6	97.8	97.7	0.88	0.90	0.89	0.87	66973	2.20	0.50	5.2	284	720	o.r.
11500	1SQ8 714-4NA60-0C.0	1490	1260	97.3	97.7	97.9	97.8	0.88	0.90	0.90	0.87	73703	2.25	0.50	5.3	312	800	o.r.
12750	1SQ8 717-4NA60-0C.0	1491	1400	97.3	97.7	97.9	97.8	0.89	0.90	0.90	0.88	81659	2.30	0.55	5.5	346	850	o.r.
13600	1SQ8 718-4NA60-0C.0	1492	1480	97.4	97.8	97.9	97.8	0.89	0.90	0.89	0.85	87045	2.50	0.55	5.8	365	930	o.r.
6-pole: $n_{sync} = 1000$ rpm at 50 Hz																		
1250	1SQ7 453-6NA60-0A.0	987	148	94.4	95.4	96.0	96.3	0.84	0.85	0.83	0.77	12103	2.05	0.70	5.0	22	730	o.r.
1260	1SQ7 453-6NA60-0C.0	986	148	94.3	95.4	96.0	96.3	0.84	0.86	0.84	0.79	12201	2.00	0.60	4.5	30	970	o.r.
1410	1SQ7 454-6NA60-0A.0	988	166	94.7	95.6	96.1	96.3	0.84	0.85	0.82	0.75	13641	2.05	0.70	4.9	24	945	o.r.
1430	1SQ7 454-6NA60-0C.0	987	170	94.6	95.6	96.2	96.4	0.84	0.85	0.84	0.78	13847	2.00	0.55	4.4	33	1215	o.r.
1520	1SQ7 457-6NA60-0A.0	988	180	94.8	95.7	96.3	96.5	0.84	0.85	0.84	0.77	14706	2.10	0.75	5.1	28	1025	o.r.
1550	1SQ7 457-6NA60-0C.0	987	182	94.7	95.7	96.2	96.5	0.84	0.86	0.85	0.80	14997	2.10	0.60	4.5	36	1275	o.r.
1650	1SQ7 458-6NA60-0A.0	989	192	95.1	95.9	96.4	96.6	0.85	0.86	0.84	0.77	15950	2.25	0.80	5.3	31	1135	o.r.
1680	1SQ7 458-6NA60-0C.0	988	194	95.0	95.9	96.4	96.6	0.85	0.87	0.85	0.79	16244	2.20	0.60	4.8	41	1410	o.r.
1800	1SQ7 502-6NA60-0A.2	990	210	95.4	96.2	96.7	96.8	0.84	0.85	0.83	0.76	17387	2.15	0.85	4.5	42	1620	o.r.

Innomotics HV M - 1SQ. IC81W 6000 V / 50 Hz B3 (IM 1001)																		
Rated power IEC	Article No.	Speed	Rated current I_R	Efficiency				Power factor				Torque T_R	Breakdown torque T_B/ T_R	Locked rotor torque T_{LR}/ T_R	Locked rotor current I_{LR}/ I_R	Inertia		
				5/4 load	4/4 load	3/4 load	2/4 load	5/4 load	4/4 load	3/4 load	2/4 load					motor	external	Startup max T/TR
kW		rpm	A	%	%	%	%	cos φ	cos φ	cos φ	cos φ	Nm	[-]	[-]	[-]	kgm ²	kgm ²	[-]
1800	1SQ7 502-6NA60-0C.2	991	210	95.6	96.3	96.8	96.9	0.84	0.85	0.84	0.78	17365	2.10	0.70	4.2	54	2060	o.r.
2000	1SQ7 503-6NA60-0A.2	990	230	95.6	96.4	96.8	96.9	0.84	0.86	0.84	0.77	19320	2.15	0.90	4.6	46	1790	o.r.
2000	1SQ7 503-6NA60-0C.2	991	235	95.8	96.5	96.9	97.0	0.84	0.86	0.85	0.79	19276	2.10	0.70	4.3	60	2300	o.r.
2280	1SQ7 504-6NA60-0A.2	990	260	95.6	96.4	96.8	97.0	0.85	0.86	0.84	0.77	22029	2.15	0.90	4.6	51	1680	o.r.
2240	1SQ7 504-6NA60-0C.2	991	260	95.9	96.6	97.0	97.1	0.85	0.86	0.85	0.79	21602	2.15	0.75	4.4	66	2100	o.r.
2540	1SQ7 507-6NA60-0A.2	990	290	95.9	96.5	97.0	97.1	0.85	0.86	0.84	0.77	24531	2.20	0.90	4.8	58	2110	o.r.
2570	1SQ7 507-6NA60-0C.2	991	290	96.0	96.7	97.1	97.2	0.85	0.86	0.85	0.80	24785	2.15	0.75	4.3	74	2440	o.r.
2680	1SQ7 508-6NA60-0A.2	990	310	96.2	96.7	97.1	97.1	0.85	0.86	0.83	0.75	25858	2.35	0.95	5.1	63	2480	o.r.
2750	1SQ7 508-6NA60-0C.2	991	320	96.2	96.9	97.2	97.2	0.85	0.86	0.85	0.78	26495	2.25	0.75	4.6	81	2780	o.r.
3000	1SQ7 562-6NA60-0C.2	992	345	96.0	96.6	97.0	96.8	0.85	0.86	0.86	0.82	28909	1.80	0.60	5.2	105	2430	o.r.
3300	1SQ7 563-6NA60-0C.2	992	380	96.1	96.8	97.0	97.0	0.85	0.86	0.85	0.82	31792	1.80	0.60	5.2	113	2500	o.r.
3700	1SQ7 564-6NA60-0C.2	992	430	96.2	96.8	97.1	97.1	0.85	0.86	0.86	0.82	35646	1.80	0.60	5.2	124	2485	o.r.
4100	1SQ7 567-6NA60-0C.2	992	475	96.3	96.9	97.1	97.2	0.85	0.86	0.86	0.82	39488	1.80	0.60	5.2	137	2600	o.r.
4550	1SQ7 568-6NA60-0C.2	992	520	96.6	97.0	97.2	97.2	0.86	0.86	0.86	0.81	43806	2.00	0.60	5.5	151	2945	o.r.
5000	1SQ8 632-6NA60-0C.0	991	580	96.3	96.9	97.2	97.1	0.84	0.86	0.83	0.77	48180	2.10	0.55	4.7	193	1880	o.r.
5200	1SQ8 633-6NA60-0C.0	991	590	96.4	97.0	97.3	97.2	0.84	0.87	0.84	0.79	50107	2.10	0.55	4.7	209	2160	o.r.
6000	1SQ8 634-6NA60-0C.0	991	690	96.5	97.1	97.4	97.3	0.84	0.86	0.84	0.79	57816	2.00	0.52	4.7	227	2080	o.r.
6400	1SQ8 637-6NA60-0C.0	991	730	96.5	97.1	97.4	97.3	0.84	0.87	0.85	0.80	61671	2.00	0.52	4.7	247	2400	o.r.
6900	1SQ8 638-6NA60-0C.0	991	790	96.6	97.2	97.5	97.4	0.85	0.87	0.85	0.80	66489	2.05	0.52	4.7	265	2580	o.r.
7350	1SQ8 712-6NA60-0C.0	993	840	96.9	97.4	97.6	97.5	0.85	0.86	0.84	0.79	70682	2.15	0.55	5.0	331	2240	o.r.
8150	1SQ8 713-6NA60-0C.0	993	920	97.0	97.5	97.7	97.7	0.85	0.87	0.86	0.82	78375	2.10	0.55	5.0	374	2520	o.r.
9400	1SQ8 714-6NA60-0C.0	993	1060	97.1	97.5	97.8	97.7	0.85	0.87	0.85	0.80	90396	2.15	0.50	5.0	424	2810	o.r.
10550	1SQ8 717-6NA60-0C.0	994	1200	97.3	97.7	97.9	97.7	0.86	0.87	0.85	0.80	101353	2.30	0.60	5.4	478	3250	o.r.
11300	1SQ8 718-6NA60-0C.0	994	1280	97.4	97.7	97.9	97.7	0.86	0.87	0.85	0.77	108558	2.50	0.60	5.5	524	3760	o.r.
8-pole: n_{sync} = 750 rpm at 50 Hz																		
820	1SQ7 452-8NA60-0A.0	739	102	93.8	95.0	95.4	95.4	0.79	0.81	0.77	0.68	10592	1.80	0.60	4.0	25	1540	o.r.
880	1SQ7 452-8NA60-0C.0	738	108	93.6	94.9	95.4	95.5	0.80	0.82	0.79	0.71	11379	1.90	0.55	4.1	32	1900	o.r.
930	1SQ7 453-8NA60-0A.0	739	116	94.0	95.1	95.6	95.6	0.79	0.81	0.77	0.68	12013	1.80	0.60	3.9	28	1960	o.r.
1000	1SQ7 453-8NA60-0C.0	738	124	93.9	95.1	95.5	95.7	0.81	0.82	0.79	0.71	12926	1.90	0.55	4.0	36	2310	o.r.
1000	1SQ7 454-8NA60-0A.2	739	124	94.1	95.4	95.7	95.8	0.80	0.81	0.78	0.70	12919	1.85	0.60	4.0	31	2450	o.r.
1100	1SQ7 454-8NA60-0C.0	738	134	94.0	95.2	95.7	95.9	0.81	0.83	0.80	0.73	14225	1.90	0.55	4.1	40	2750	o.r.
1190	1SQ7 457-8NA60-0A.0	739	148	94.4	95.4	95.8	95.8	0.80	0.81	0.77	0.68	15370	1.85	0.60	4.2	35	2610	o.r.
1220	1SQ7 457-8NA60-0C.2	740	148	94.5	95.5	95.8	95.8	0.82	0.83	0.79	0.70	15743	2.00	0.60	4.6	45	3470	o.r.
1260	1SQ7 458-8NA60-0A.0	739	154	94.5	95.5	95.8	95.9	0.80	0.82	0.78	0.69	16267	1.95	0.65	4.5	39	2760	o.r.
1310	1SQ7 458-8NA60-0C.0	740	160	94.6	95.5	95.9	95.9	0.82	0.83	0.80	0.71	16900	2.10	0.60	4.8	50	3580	o.r.
1400	1SQ7 502-8NA60-0A.2	742	174	95.1	95.9	96.4	96.6	0.81	0.81	0.79	0.73	18026	1.95	0.75	3.9	46	2280	o.r.
1400	1SQ7 502-8NA60-0C.2	741	170	95.0	95.9	96.4	96.7	0.81	0.83	0.80	0.74	18042	1.95	0.50	3.7	59	2990	o.r.

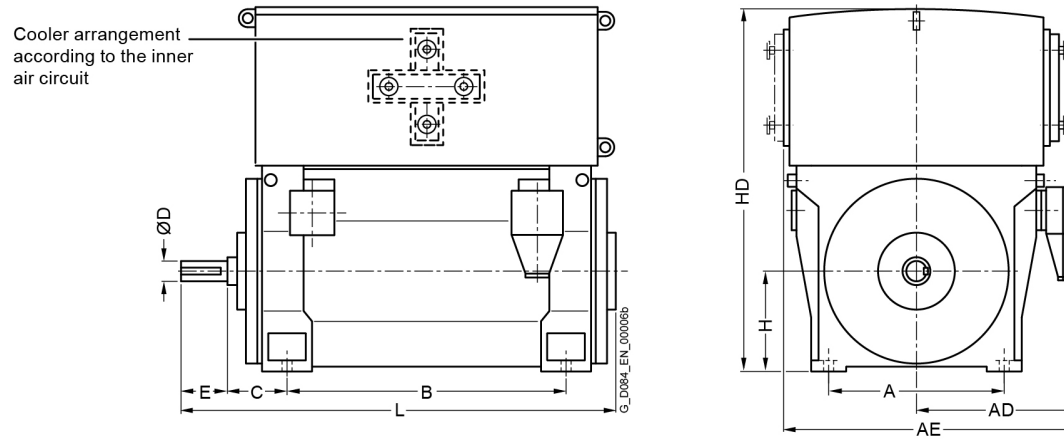
Innomotics HV M - 1SQ. IC81W 6000 V / 50 Hz B3 (IM 1001)																		
Rated power IEC	Article No.	Speed	Rated current I_R	Efficiency				Power factor				Torque T_R	Breakdown torque T_B/ T_R	Locked torque T_{LR}/ T_R	rotor Locked current I_{LR}/ I_R	Inertia		
				5/4 load	4/4 load	3/4 load	2/4 load	5/4 load	4/4 load	3/4 load	2/4 load					motor	external	Startup max T/TR
kW		rpm	A	%	%	%	%	$\cos \varphi$	$\cos \varphi$	$\cos \varphi$	$\cos \varphi$	Nm	[-]	[-]	[-]	kgm ²	kgm ²	[-]
1600	1SQ7 503-8NA60-0A.2	741	196	95.1	96.0	96.5	96.8	0.80	0.82	0.81	0.76	20625	1.85	0.70	3.7	51	2130	o.r.
1600	1SQ7 503-8NA60-0C.2	740	194	94.9	95.9	96.5	96.8	0.80	0.83	0.81	0.77	20641	1.85	0.45	3.5	65	2830	o.r.
1680	1SQ7 504-8NA60-0A.2	743	205	95.5	96.2	96.5	96.6	0.82	0.82	0.79	0.72	21626	2.05	0.80	4.2	56	2840	o.r.
1700	1SQ7 504-8NA60-0C.2	742	205	95.4	96.2	96.6	96.7	0.82	0.83	0.80	0.74	21881	2.10	0.55	3.9	72	3580	o.r.
1810	1SQ7 507-8NA60-0A.2	743	220	95.6	96.3	96.7	96.7	0.82	0.82	0.79	0.72	23296	2.10	0.80	4.2	63	3670	o.r.
1840	1SQ7 507-8NA60-0C.2	742	220	95.6	96.3	96.7	96.9	0.82	0.83	0.82	0.74	23674	2.10	0.60	4.0	80	4640	o.r.
2000	1SQ7 508-8NA60-0A.2	743	245	95.8	96.4	96.7	96.7	0.81	0.82	0.80	0.72	25731	2.15	0.85	4.4	69	3790	o.r.
2000	1SQ7 508-8NA60-0C.2	743	240	95.8	96.4	96.8	96.9	0.82	0.83	0.81	0.73	25739	2.20	0.60	4.2	88	4780	o.r.
2300	1SQ7 563-8NA60-0C.2	743	275	95.6	96.3	96.7	96.6	0.82	0.83	0.81	0.75	29553	2.00	0.55	4.4	124	3025	o.r.
2600	1SQ7 564-8NA60-0C.2	743	315	95.8	96.4	96.8	96.7	0.83	0.83	0.82	0.76	33406	2.00	0.60	4.5	137	3315	o.r.
2900	1SQ7 567-8NA60-0C.2	744	350	96.0	96.5	96.9	96.8	0.83	0.83	0.81	0.74	37262	2.15	0.60	4.7	150	3950	o.r.
3300	1SQ7 568-8NA60-0C.2	744	395	96.2	96.7	97.0	96.9	0.83	0.83	0.81	0.75	42419	2.10	0.60	4.6	165	5680	o.r.
3350	1SQ8 633-8NA60-0C.0	742	395	95.2	96.0	96.4	96.3	0.83	0.85	0.83	0.77	43113	1.80	0.40	3.8	216	3390	o.r.
3900	1SQ8 634-8NA60-0C.0	742	455	95.6	96.3	96.5	96.4	0.84	0.86	0.83	0.76	50192	1.90	0.45	4.1	251	3760	o.r.
4550	1SQ8 637-8NA60-0C.0	743	530	96.0	96.5	96.7	96.5	0.85	0.86	0.82	0.75	58478	2.05	0.50	4.4	292	5960	o.r.
4800	1SQ8 638-8NA60-0C.0	743	560	96.2	96.7	96.8	96.6	0.85	0.86	0.83	0.76	61691	2.10	0.50	4.5	326	6970	o.r.
5400	1SQ8 712-8NA60-0C.0	744	580	96.4	96.8	97.0	96.8	0.85	0.86	0.82	0.75	69309	2.15	0.45	4.6	422	5600	o.r.
5900	1SQ8 713-8NA60-0C.0	745	650	96.4	96.9	97.0	96.8	0.86	0.86	0.83	0.75	75625	2.25	0.50	4.8	474	6410	o.r.
6900	1SQ8 714-8NA60-0C.0	745	720	96.6	97.0	97.1	96.9	0.86	0.87	0.83	0.76	88443	2.25	0.50	4.8	542	7220	o.r.
7800	1SQ8 717-8NA60-0C.0	745	820	96.8	97.1	97.2	96.9	0.86	0.87	0.82	0.74	99979	2.35	0.50	5.0	619	8530	o.r.
8300	1SQ8 718-8NA60-0C.0	745	910	96.9	97.2	97.2	97.0	0.87	0.87	0.83	0.75	106388	2.45	0.60	5.2	682	9540	o.r.



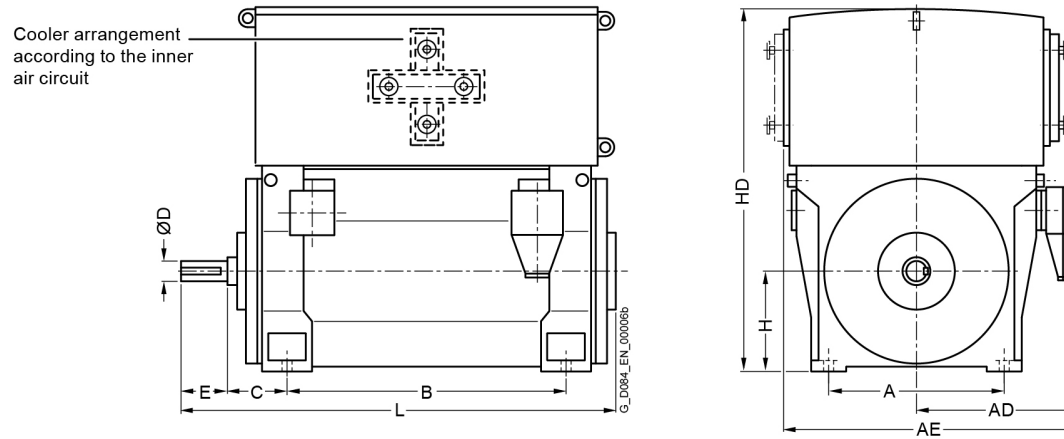
Motor type	Weight	Dimensions											
		A	AD	AE	B	C	D	E	H	HD	L	ML	
	kg	mm	mm	mm	mm	mm	mm	mm	mm	mm	mm	mm	mm
Innomotics HV M - 1SQ. IC81W 6000 V / 50 Hz B3 (IM 1001) - Dimension drawings													
2-pole													
1SQ7 453-2NA60-0AA0	4200	850	925	1545	1180	250	95	130	450	1650	1840	o.r.	
1SQ7 453-2NA60-0AC0	4100	850	925	1545	1180	475	95	130	450	1650	2270	o.r.	
1SQ7 453-2NA60-0CA0	4350	850	925	1545	1180	250	95	130	450	1650	1840	o.r.	
1SQ7 453-2NA60-0CC0	4250	850	925	1545	1180	475	95	130	450	1650	2270	o.r.	
1SQ7 454-2NA60-0AA2	4350	850	925	1545	1180	250	95	130	450	1650	1840	o.r.	
1SQ7 454-2NA60-0AC2	4250	850	925	1545	1180	475	95	130	450	1650	2270	o.r.	
1SQ7 454-2NA60-0CA0	4450	850	925	1545	1180	250	95	130	450	1650	1840	o.r.	
1SQ7 454-2NA60-0CC0	4400	850	925	1545	1180	475	95	130	450	1650	2270	o.r.	
1SQ7 457-2NA60-0AA2	4700	850	925	1545	1400	250	95	130	450	1650	2050	o.r.	
1SQ7 457-2NA60-0AC2	4600	850	925	1545	1400	475	95	130	450	1650	2480	o.r.	
1SQ7 457-2NA60-0CA0	4850	850	925	1545	1400	250	95	130	450	1650	2050	o.r.	
1SQ7 457-2NA60-0CC0	4750	850	925	1545	1400	475	95	130	450	1650	2480	o.r.	
1SQ7 458-2NA60-0AA2	4900	850	925	1545	1400	250	95	130	450	1650	2050	o.r.	
1SQ7 458-2NA60-0AC2	4800	850	925	1545	1400	475	95	130	450	1650	2480	o.r.	
1SQ7 458-2NA60-0CA0	5050	850	925	1545	1400	250	95	130	450	1650	2050	o.r.	
1SQ7 458-2NA60-0CC0	4950	850	925	1545	1400	475	95	130	450	1650	2480	o.r.	
1SQ7 503-2NA60-0AA0	5700	950	1005	1705	1320	250	110	165	500	1790	1960	o.r.	
1SQ7 503-2NA60-0AC0	5650	950	1005	1705	1320	530	120	165	500	1790	2510	o.r.	
1SQ7 503-2NA60-0CA0	5850	950	1005	1705	1320	250	110	165	500	1790	1960	o.r.	
1SQ7 503-2NA60-0CC0	5800	950	1005	1705	1320	530	120	165	500	1790	2510	o.r.	
1SQ7 504-2NA60-0AA0	5750	950	1005	1705	1320	250	110	165	500	1790	1960	o.r.	
1SQ7 504-2NA60-0AC0	5700	950	1005	1705	1320	530	120	165	500	1790	2510	o.r.	



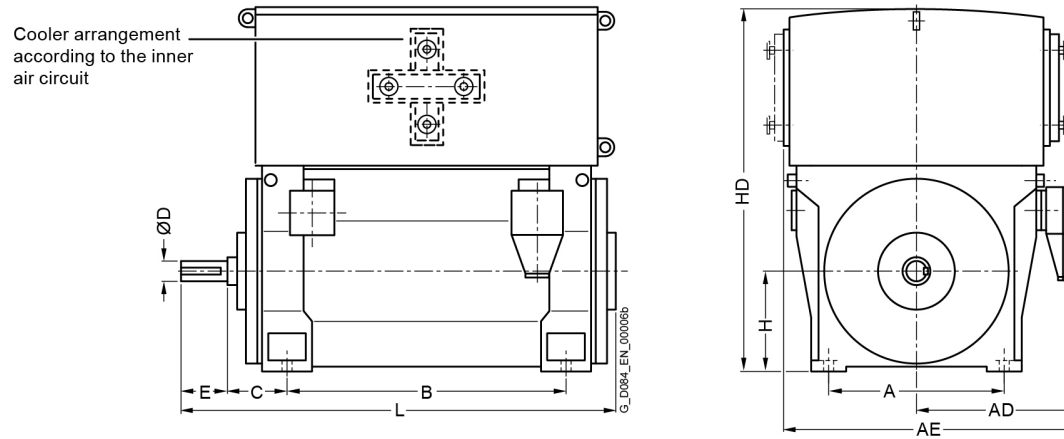
Motor type	Weight kg	Dimensions										
		A mm	AD mm	AE mm	B mm	C mm	D mm	E mm	H mm	HD mm	L mm	ML mm
Innomotics HV M - 1SQ. IC81W 6000 V / 50 Hz B3 (IM 1001) - Dimension drawings												
1SQ7 504-2NA60-0CA0	5900	950	1005	1705	1320	250	110	165	500	1790	1960	o.r.
1SQ7 504-2NA60-0CC0	5850	950	1005	1705	1320	530	120	165	500	1790	2510	o.r.
1SQ7 507-2NA60-0AA0	6450	950	1005	1705	1500	250	110	165	500	1790	2170	o.r.
1SQ7 507-2NA60-0AC0	6400	950	1005	1705	1500	530	120	165	500	1790	2720	o.r.
1SQ7 507-2NA60-0CA2	6600	950	1005	1705	1500	250	110	165	500	1790	2170	o.r.
1SQ7 507-2NA60-0CC2	6550	950	1005	1705	1500	530	120	165	500	1790	2720	o.r.
1SQ7 508-2NA60-0AA2	6750	950	1005	1705	1500	250	110	165	500	1790	2170	o.r.
1SQ7 508-2NA60-0AC2	6700	950	1005	1705	1500	530	120	165	500	1790	2720	o.r.
1SQ7 508-2NA60-0CA2	6950	950	1005	1705	1500	250	110	165	500	1790	2170	o.r.
1SQ7 508-2NA60-0CC2	6850	950	1005	1705	1500	530	120	165	500	1790	2720	o.r.
1SQ7 562-2NA60-0CC2	7650	1060	1290	2060	1400	600	150	200	560	1970	2810	o.r.
1SQ7 563-2NA60-0CC2	7950	1060	1290	2060	1400	600	150	200	560	1970	2810	o.r.
1SQ7 564-2NA60-0CC2	8200	1060	1290	2060	1400	600	150	200	560	1970	2810	o.r.
1SQ7 567-2NA60-0CC2	9000	1060	1290	2060	1600	600	150	200	560	1970	3040	o.r.
1SQ7 568-2NA60-0CC2	9650	1060	1290	2060	1600	600	150	200	560	1970	3040	o.r.
1SQ8 633-2NA60-0CJ0	9800	1320	1520	2520	1600	560	160	240	630	2250	2890	o.r.
1SQ8 634-2NA60-0CJ0	10350	1320	1520	2520	1600	560	160	240	630	2250	2890	o.r.
1SQ8 637-2NA60-0CJ0	11200	1320	1520	2520	1800	560	160	240	630	2250	3090	o.r.
1SQ8 638-2NA60-0CJ0	11800	1320	1520	2520	1800	560	160	240	630	2250	3090	o.r.
1SQ8 712-2NA60-0CJ0	13100	1500	1620	2720	2000	560	180	240	710	2550	3280	o.r.
1SQ8 713-2NA60-0CJ0	13750	1500	1620	2720	2000	560	180	240	710	2550	3280	o.r.
1SQ8 714-2NA60-0CJ0	14350	1500	1620	2720	2000	560	180	240	710	2550	3280	o.r.
1SQ8 716-2NA60-0CJ0	15400	1500	1620	2720	2240	560	180	240	710	2460	3520	o.r.



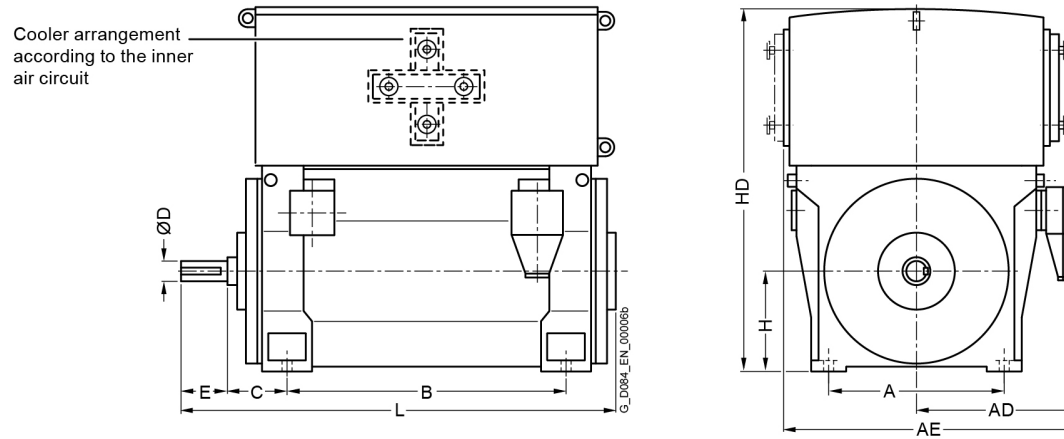
Motor type	Weight	Dimensions												
		A	AD	AE	B	C	D	E	H	HD	L	ML		
	kg	mm	mm	mm	mm	mm	mm	mm	mm	mm	mm	mm	mm	
Innomotics HV M - 1SQ. IC81W 6000 V / 50 Hz B3 (IM 1001) - Dimension drawings														
1SQ8 717-2NA60-0CJ0	16350	1500	1620	2720	2240	560	180	240	710	2460	3520	o.r.		
1SQ8 718-2NA60-0CJ0	17300	1500	1620	2720	2240	560	180	240	710	2460	3520	o.r.		
4-pole														
1SQ7 453-4NA60-0CA2	4400	850	925	1545	1180	250	130	200	450	1740	1920	o.r.		
1SQ7 453-4NA60-0CC2	4450	850	925	1545	1180	500	130	200	450	1740	2390	o.r.		
1SQ7 453-4NA60-0AA0	4250	850	925	1545	1180	250	130	200	450	1740	1920	o.r.		
1SQ7 453-4NA60-0AC0	4300	850	925	1545	1180	500	130	200	450	1740	2390	o.r.		
1SQ7 454-4NA60-0AA0	4450	850	925	1545	1180	250	130	200	450	1740	1920	o.r.		
1SQ7 454-4NA60-0AC0	4450	850	925	1545	1180	500	130	200	450	1740	2390	o.r.		
1SQ7 454-4NA60-0CA2	4600	850	925	1545	1180	250	130	200	450	1740	1920	o.r.		
1SQ7 454-4NA60-0CC2	4600	850	925	1545	1180	500	130	200	450	1740	2390	o.r.		
1SQ7 457-4NA60-0AA2	5000	850	925	1545	1400	250	130	200	450	1740	2130	o.r.		
1SQ7 457-4NA60-0AC2	5050	850	925	1545	1400	500	130	200	450	1740	2600	o.r.		
1SQ7 457-4NA60-0CA2	5200	850	925	1545	1400	250	130	200	450	1740	2130	o.r.		
1SQ7 457-4NA60-0CC2	5200	850	925	1545	1400	500	130	200	450	1740	2600	o.r.		
1SQ7 458-4NA60-0AA0	5200	850	925	1545	1400	250	130	200	450	1740	2130	o.r.		
1SQ7 458-4NA60-0AC0	5250	850	925	1545	1400	500	130	200	450	1740	2600	o.r.		
1SQ7 458-4NA60-0CA2	5400	850	925	1545	1400	250	130	200	450	1740	2130	o.r.		
1SQ7 458-4NA60-0CC2	5450	850	925	1545	1400	500	130	200	450	1740	2600	o.r.		
1SQ7 503-4NA60-0AA2	5950	950	1005	1705	1320	315	160	240	500	1790	2180	o.r.		
1SQ7 503-4NA60-0AC2	6050	950	1005	1705	1320	560	170	240	500	1790	2620	o.r.		
1SQ7 503-4NA60-0CA2	6100	950	1005	1705	1320	315	160	240	500	1790	2180	o.r.		
1SQ7 503-4NA60-0CC2	6200	950	1005	1705	1320	560	170	240	500	1790	2620	o.r.		



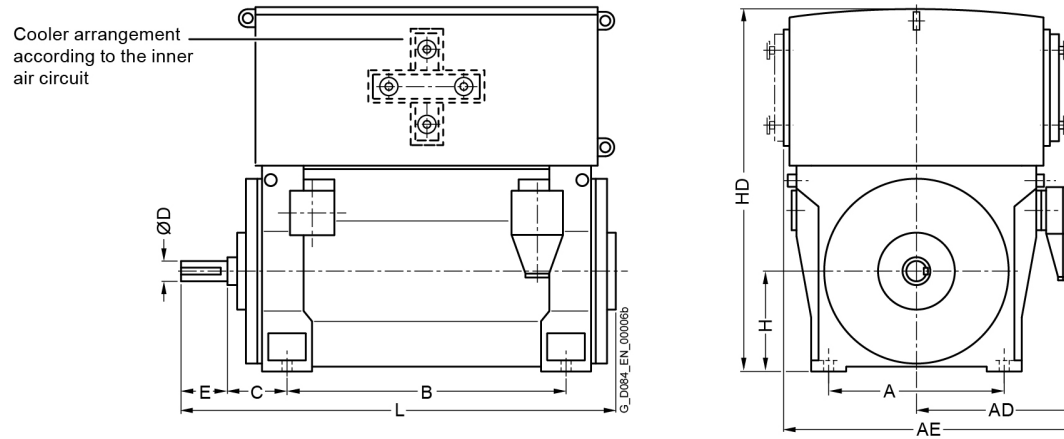
Motor type	Weight kg	Dimensions										
		A mm	AD mm	AE mm	B mm	C mm	D mm	E mm	H mm	HD mm	L mm	ML mm
Innomotics HV M - 1SQ. IC81W 6000 V / 50 Hz B3 (IM 1001) - Dimension drawings												
1SQ7 504-4NA60-0AA2	6250	950	1005	1705	1320	315	160	240	500	1790	2180	o.r.
1SQ7 504-4NA60-0AC2	6300	950	1005	1705	1320	560	170	240	500	1790	2620	o.r.
1SQ7 504-4NA60-0CA2	6400	950	1005	1705	1320	315	160	240	500	1790	2180	o.r.
1SQ7 504-4NA60-0CC2	6450	950	1005	1705	1320	560	170	240	500	1790	2620	o.r.
1SQ7 507-4NA60-0AA2	6950	950	1005	1705	1500	315	160	240	500	1790	2390	o.r.
1SQ7 507-4NA60-0AC2	7000	950	1005	1705	1500	560	170	240	500	1790	2830	o.r.
1SQ7 507-4NA60-0CA2	7100	950	1005	1705	1500	315	160	240	500	1790	2390	o.r.
1SQ7 507-4NA60-0CC2	7150	950	1005	1705	1500	560	170	240	500	1790	2830	o.r.
1SQ7 508-4NA60-0CA2	7450	950	1005	1705	1500	315	160	240	500	1790	2390	o.r.
1SQ7 508-4NA60-0CC2	7550	950	1005	1705	1500	560	170	240	500	1790	2830	o.r.
1SQ7 508-4NA60-0AA2	7200	950	1005	1705	1500	315	160	240	500	1790	2390	o.r.
1SQ7 508-4NA60-0AC2	7250	950	1005	1705	1500	560	170	240	500	1790	2830	o.r.
1SQ7 562-4NA60-0CA2	7800	1060	1290	2060	1400	335	190	280	560	1970	2390	o.r.
1SQ7 562-4NA60-0CC2	7850	1060	1290	2060	1400	600	190	280	560	1970	2850	o.r.
1SQ7 563-4NA60-0CA2	8000	1060	1290	2060	1400	335	190	280	560	1970	2390	o.r.
1SQ7 563-4NA60-0CC2	8100	1060	1290	2060	1400	600	190	280	560	1970	2850	o.r.
1SQ7 564-4NA60-0CA2	8500	1060	1290	2060	1400	335	190	280	560	1970	2390	o.r.
1SQ7 564-4NA60-0CC2	8550	1060	1290	2060	1400	600	190	280	560	1970	2850	o.r.
1SQ7 566-4NA60-0CA2	9300	1060	1290	2060	1600	335	190	280	560	1970	2620	o.r.
1SQ7 566-4NA60-0CC2	9350	1060	1290	2060	1600	600	190	280	560	1970	3080	o.r.
1SQ7 567-4NA60-0CA2	9800	1060	1290	2060	1600	335	190	280	560	1970	2620	o.r.
1SQ7 567-4NA60-0CC2	9850	1060	1290	2060	1600	600	190	280	560	1970	3080	o.r.
1SQ7 568-4NA60-0CA2	10250	1060	1290	2060	1600	335	190	280	560	1970	2620	o.r.



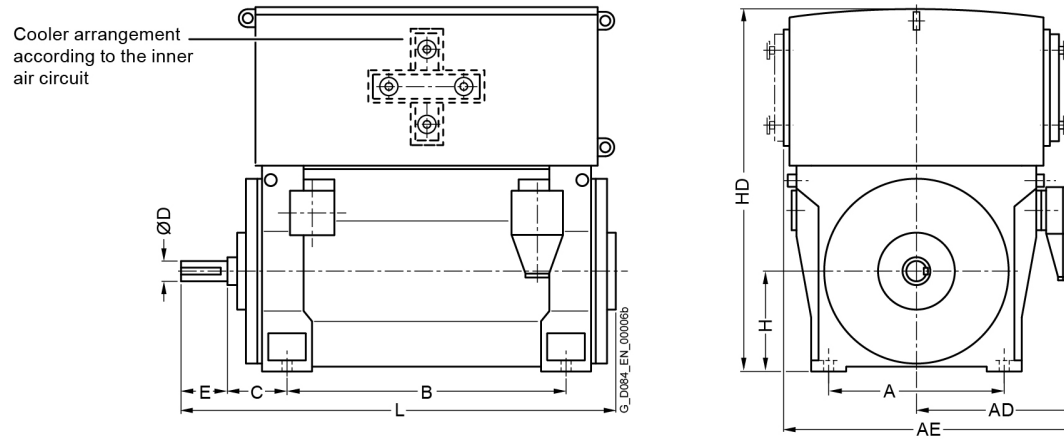
Motor type	Weight	Dimensions											
		A	AD	AE	B	C	D	E	H	HD	L	ML	
	kg	mm	mm	mm	mm	mm	mm	mm	mm	mm	mm	mm	mm
Innomotics HV M - 1SQ. IC81W 6000 V / 50 Hz B3 (IM 1001) - Dimension drawings													
1SQ7 568-4NA60-0CC2	10300	1060	1290	2060	1600	600	190	280	560	1970	3080	o.r.	
1SQ8 633-4NA60-0CG0	10550	1320	1520	2520	1600	375	200	280	630	2250	2610	o.r.	
1SQ8 633-4NA60-0CJ0	10650	1320	1520	2520	1600	630	200	280	630	2250	3090	o.r.	
1SQ8 634-4NA60-0CG0	10950	1320	1520	2520	1600	375	200	280	630	2250	2610	o.r.	
1SQ8 634-4NA60-0CJ0	11100	1320	1520	2520	1600	630	200	280	630	2250	3090	o.r.	
1SQ8 637-4NA60-0CG0	11850	1320	1520	2520	1800	375	200	280	630	2250	2810	o.r.	
1SQ8 637-4NA60-0CJ0	11950	1320	1520	2520	1800	630	200	280	630	2250	3290	o.r.	
1SQ8 638-4NA60-0CG0	12550	1320	1520	2520	1800	375	200	280	630	2250	2810	o.r.	
1SQ8 638-4NA60-0CJ0	12650	1320	1520	2520	1800	630	200	280	630	2250	3290	o.r.	
1SQ8 712-4NA60-0CG0	14300	1500	1620	2720	2000	375	220	280	710	2550	3010	o.r.	
1SQ8 712-4NA60-0CJ0	14450	1500	1620	2720	2000	630	220	280	710	2550	3480	o.r.	
1SQ8 713-4NA60-0CG0	15000	1500	1620	2720	2000	375	220	280	710	2550	3010	o.r.	
1SQ8 713-4NA60-0CJ0	15100	1500	1620	2720	2000	630	220	280	710	2550	3480	o.r.	
1SQ8 714-4NA60-0CG0	15800	1500	1620	2720	2000	375	220	280	710	2550	3010	o.r.	
1SQ8 714-4NA60-0CJ0	15950	1500	1620	2720	2000	630	220	280	710	2550	3480	o.r.	
1SQ8 717-4NA60-0CG0	17000	1500	1620	2720	2240	375	220	280	710	2460	3250	o.r.	
1SQ8 717-4NA60-0CJ0	17150	1500	1620	2720	2240	630	220	280	710	2460	3720	o.r.	
1SQ8 718-4NA60-0CG0	17550	1500	1620	2720	2240	375	220	280	710	2460	3250	o.r.	
1SQ8 718-4NA60-0CJ0	17700	1500	1620	2720	2240	630	220	280	710	2460	3720	o.r.	
6-pole													
1SQ7 453-6NA60-0AA0	4250	850	925	1545	1180	250	130	200	450	1740	1920	o.r.	
1SQ7 453-6NA60-0AC0	4300	850	925	1545	1180	500	130	200	450	1740	2390	o.r.	
1SQ7 453-6NA60-0CA0	4400	850	925	1545	1180	250	130	200	450	1740	1920	o.r.	



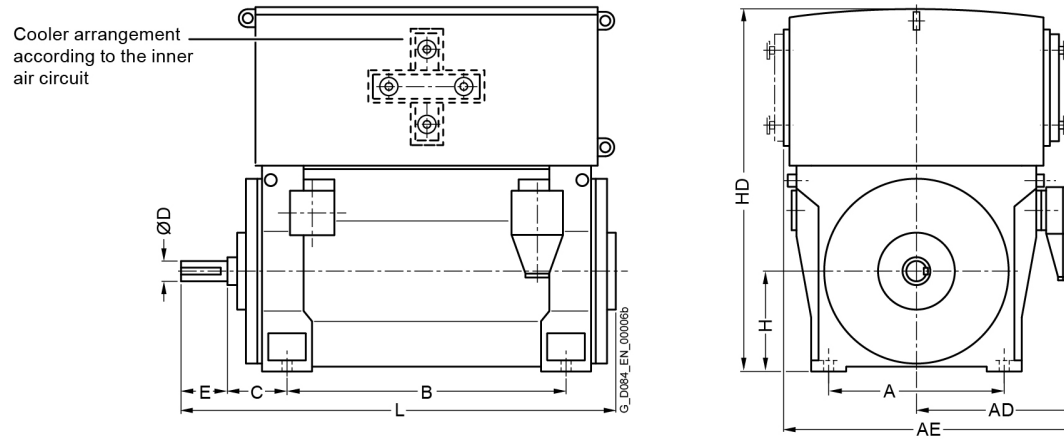
Motor type	Weight	Dimensions											
		A	AD	AE	B	C	D	E	H	HD	L	ML	
	kg	mm	mm	mm	mm	mm	mm	mm	mm	mm	mm	mm	mm
Innomotics HV M - 1SQ. IC81W 6000 V / 50 Hz B3 (IM 1001) - Dimension drawings													
1SQ7 453-6NA60-0CC0	4450	850	925	1545	1180	500	130	200	450	1740	2390	o.r.	
1SQ7 454-6NA60-0AA0	4450	850	925	1545	1180	250	130	200	450	1740	1920	o.r.	
1SQ7 454-6NA60-0AC0	4500	850	925	1545	1180	500	130	200	450	1740	2390	o.r.	
1SQ7 454-6NA60-0CA0	4650	850	925	1545	1180	250	130	200	450	1740	1920	o.r.	
1SQ7 454-6NA60-0CC0	4650	850	925	1545	1180	500	130	200	450	1740	2390	o.r.	
1SQ7 457-6NA60-0AA0	4900	850	925	1545	1400	250	130	200	450	1740	2130	o.r.	
1SQ7 457-6NA60-0AC0	4950	850	925	1545	1400	500	130	200	450	1740	2600	o.r.	
1SQ7 457-6NA60-0CA0	5100	850	925	1545	1400	250	130	200	450	1740	2130	o.r.	
1SQ7 457-6NA60-0CC0	5150	850	925	1545	1400	500	130	200	450	1740	2600	o.r.	
1SQ7 458-6NA60-0AA0	5200	850	925	1545	1400	250	130	200	450	1740	2130	o.r.	
1SQ7 458-6NA60-0AC0	5200	850	925	1545	1400	500	130	200	450	1740	2600	o.r.	
1SQ7 458-6NA60-0CA0	5400	850	925	1545	1400	250	130	200	450	1740	2130	o.r.	
1SQ7 458-6NA60-0CC0	5450	850	925	1545	1400	500	130	200	450	1740	2600	o.r.	
1SQ7 502-6NA60-0AA2	5950	950	1005	1705	1320	315	160	240	500	1910	2180	o.r.	
1SQ7 502-6NA60-0AC2	6000	950	1005	1705	1320	560	170	240	500	1910	2620	o.r.	
1SQ7 502-6NA60-0CA2	6150	950	1005	1705	1320	315	160	240	500	1910	2180	o.r.	
1SQ7 502-6NA60-0CC2	6200	950	1005	1705	1320	560	170	240	500	1910	2620	o.r.	
1SQ7 503-6NA60-0AA2	6200	950	1005	1705	1320	315	160	240	500	1910	2180	o.r.	
1SQ7 503-6NA60-0AC2	6250	950	1005	1705	1320	560	170	240	500	1910	2620	o.r.	
1SQ7 503-6NA60-0CA2	6400	950	1005	1705	1320	315	160	240	500	1910	2180	o.r.	
1SQ7 503-6NA60-0CC2	6450	950	1005	1705	1320	560	170	240	500	1910	2620	o.r.	
1SQ7 504-6NA60-0AA2	6400	950	1005	1705	1320	315	160	240	500	1910	2180	o.r.	
1SQ7 504-6NA60-0AC2	6450	950	1005	1705	1320	560	170	240	500	1910	2620	o.r.	



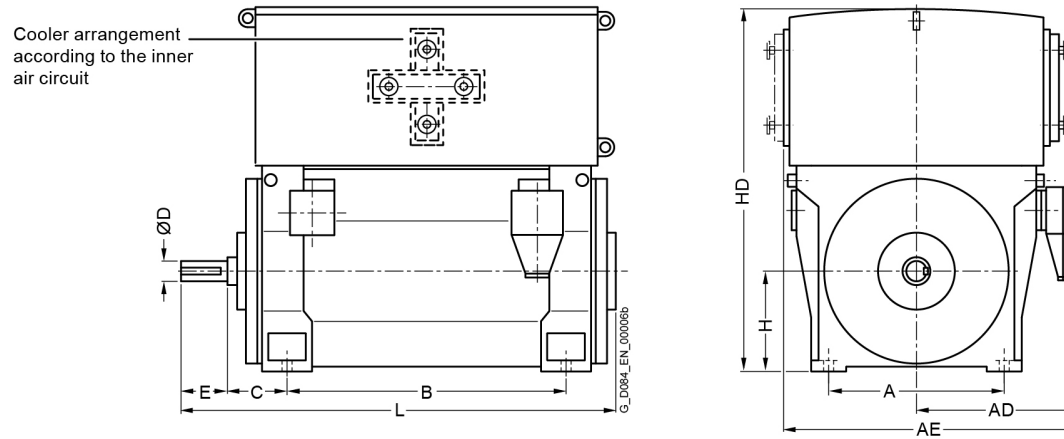
Motor type	Weight	Dimensions												
		A	AD	AE	B	C	D	E	H	HD	L	ML		
	kg	mm	mm	mm	mm	mm	mm	mm	mm	mm	mm	mm	mm	
Innomotics HV M - 1SQ. IC81W 6000 V / 50 Hz B3 (IM 1001) - Dimension drawings														
1SQ7 504-6NA60-0CA2	6650	950	1005	1705	1320	315	160	240	500	1910	2180	o.r.		
1SQ7 504-6NA60-0CC2	6700	950	1005	1705	1320	560	170	240	500	1910	2620	o.r.		
1SQ7 507-6NA60-0AA2	7100	950	1005	1705	1500	315	160	240	500	1910	2390	o.r.		
1SQ7 507-6NA60-0AC2	7150	950	1005	1705	1500	560	170	240	500	1910	2830	o.r.		
1SQ7 507-6NA60-0CA2	7350	950	1005	1705	1500	315	160	240	500	1910	2390	o.r.		
1SQ7 507-6NA60-0CC2	7450	950	1005	1705	1500	560	170	240	500	1910	2830	o.r.		
1SQ7 508-6NA60-0AA2	7450	950	1005	1705	1500	315	160	240	500	1910	2390	o.r.		
1SQ7 508-6NA60-0AC2	7500	950	1005	1705	1500	560	170	240	500	1910	2830	o.r.		
1SQ7 508-6NA60-0CA2	7700	950	1005	1705	1500	315	160	240	500	1910	2390	o.r.		
1SQ7 508-6NA60-0CC2	7800	950	1005	1705	1500	560	170	240	500	1910	2830	o.r.		
1SQ7 562-6NA60-0CA2	8350	1060	1290	2060	1400	335	190	280	560	2110	2390	o.r.		
1SQ7 562-6NA60-0CC2	8450	1060	1290	2060	1400	600	190	280	560	2110	2850	o.r.		
1SQ7 563-6NA60-0CA2	8700	1060	1290	2060	1400	335	190	280	560	2110	2390	o.r.		
1SQ7 563-6NA60-0CC2	8750	1060	1290	2060	1400	600	190	280	560	2110	2850	o.r.		
1SQ7 564-6NA60-0CA2	9050	1060	1290	2060	1400	335	190	280	560	2110	2390	o.r.		
1SQ7 564-6NA60-0CC2	9100	1060	1290	2060	1400	600	190	280	560	2110	2850	o.r.		
1SQ7 567-6NA60-0CA2	9850	1060	1290	2060	1600	335	190	280	560	2110	2620	o.r.		
1SQ7 567-6NA60-0CC2	9900	1060	1290	2060	1600	600	190	280	560	2110	3080	o.r.		
1SQ7 568-6NA60-0CA2	10500	1060	1290	2060	1600	335	190	280	560	2110	2620	o.r.		
1SQ7 568-6NA60-0CC2	10550	1060	1290	2060	1600	600	190	280	560	2110	3080	o.r.		
1SQ8 632-6NA60-0CG0	10500	1320	1520	2520	1600	375	200	280	630	2250	2610	o.r.		
1SQ8 632-6NA60-0CJ0	10600	1320	1520	2520	1600	630	200	280	630	2250	3090	o.r.		
1SQ8 633-6NA60-0CG0	10850	1320	1520	2520	1600	375	200	280	630	2250	2610	o.r.		



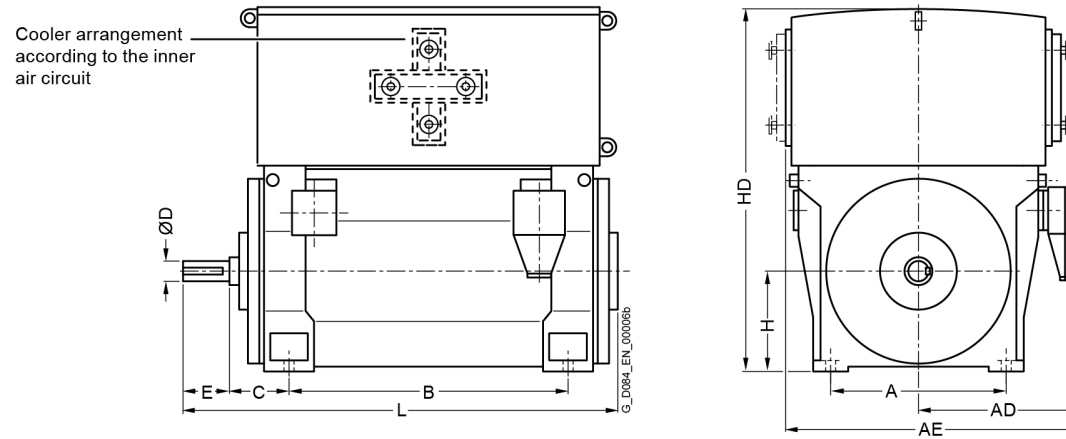
Motor type	Weight kg	Dimensions										
		A mm	AD mm	AE mm	B mm	C mm	D mm	E mm	H mm	HD mm	L mm	ML mm
Innomotics HV M - 1SQ. IC81W 6000 V / 50 Hz B3 (IM 1001) - Dimension drawings												
1SQ8 633-6NA60-0CJ0	10950	1320	1520	2520	1600	630	200	280	630	2250	3090	o.r.
1SQ8 634-6NA60-0CG0	11450	1320	1520	2520	1600	375	200	280	630	2250	2610	o.r.
1SQ8 634-6NA60-0CJ0	11600	1320	1520	2520	1600	630	200	280	630	2250	3090	o.r.
1SQ8 637-6NA60-0CG0	12200	1320	1520	2520	1800	375	200	280	630	2250	2810	o.r.
1SQ8 637-6NA60-0CJ0	12350	1320	1520	2520	1800	630	200	280	630	2250	3290	o.r.
1SQ8 638-6NA60-0CG0	12800	1320	1520	2520	1800	375	200	280	630	2250	2810	o.r.
1SQ8 638-6NA60-0CJ0	12900	1320	1520	2520	1800	630	200	280	630	2250	3290	o.r.
1SQ8 712-6NA60-0CG0	14150	1500	1620	2720	2000	375	220	280	710	2550	3010	o.r.
1SQ8 712-6NA60-0CJ0	14250	1500	1620	2720	2000	630	220	280	710	2550	3480	o.r.
1SQ8 713-6NA60-0CG0	15100	1500	1620	2720	2000	375	220	280	710	2550	3010	o.r.
1SQ8 713-6NA60-0CJ0	15250	1500	1620	2720	2000	630	220	280	710	2550	3480	o.r.
1SQ8 714-6NA60-0CG0	16150	1500	1620	2720	2000	375	220	280	710	2550	3010	o.r.
1SQ8 714-6NA60-0CJ0	16300	1500	1620	2720	2000	630	220	280	710	2550	3480	o.r.
1SQ8 717-6NA60-0CG0	17650	1500	1620	2720	2240	375	220	280	710	2460	3250	o.r.
1SQ8 717-6NA60-0CJ0	17800	1500	1620	2720	2240	630	220	280	710	2460	3720	o.r.
1SQ8 718-6NA60-0CG0	18600	1500	1620	2720	2240	375	220	280	710	2460	3250	o.r.
1SQ8 718-6NA60-0CJ0	18750	1500	1620	2720	2240	630	220	280	710	2460	3720	o.r.
8-pole												
1SQ7 452-8NA60-0AA0	4250	850	925	1545	1180	250	130	200	450	1740	1920	o.r.
1SQ7 452-8NA60-0AC0	4300	850	925	1545	1180	500	130	200	450	1740	2390	o.r.
1SQ7 452-8NA60-0CA0	4400	850	925	1545	1180	250	130	200	450	1740	1920	o.r.
1SQ7 452-8NA60-0CC0	4400	850	925	1545	1180	500	130	200	450	1740	2390	o.r.
1SQ7 453-8NA60-0AA0	4450	850	925	1545	1180	250	130	200	450	1740	1920	o.r.



Motor type	Weight kg	Dimensions										
		A mm	AD mm	AE mm	B mm	C mm	D mm	E mm	H mm	HD mm	L mm	ML mm
Innomotics HV M - 1SQ. IC81W 6000 V / 50 Hz B3 (IM 1001) - Dimension drawings												
1SQ7 453-8NA60-0AC0	4500	850	925	1545	1180	500	130	200	450	1740	2390	o.r.
1SQ7 453-8NA60-0CA0	4600	850	925	1545	1180	250	130	200	450	1740	1920	o.r.
1SQ7 453-8NA60-0CC0	4650	850	925	1545	1180	500	130	200	450	1740	2390	o.r.
1SQ7 454-8NA60-0AA2	4700	850	925	1545	1180	250	130	200	450	1740	1920	o.r.
1SQ7 454-8NA60-0AC2	4750	850	925	1545	1180	500	130	200	450	1740	2390	o.r.
1SQ7 454-8NA60-0CA0	4850	850	925	1545	1180	250	130	200	450	1740	1920	o.r.
1SQ7 454-8NA60-0CC0	4900	850	925	1545	1180	500	130	200	450	1740	2390	o.r.
1SQ7 457-8NA60-0AA0	5200	850	925	1545	1400	250	130	200	450	1740	2130	o.r.
1SQ7 457-8NA60-0AC0	5250	850	925	1545	1400	500	130	200	450	1740	2600	o.r.
1SQ7 457-8NA60-0CA2	5400	850	925	1545	1400	250	130	200	450	1740	2130	o.r.
1SQ7 457-8NA60-0CC2	5400	850	925	1545	1400	500	130	200	450	1740	2600	o.r.
1SQ7 458-8NA60-0AA0	5450	850	925	1545	1400	250	130	200	450	1740	2130	o.r.
1SQ7 458-8NA60-0AC0	5500	850	925	1545	1400	500	130	200	450	1740	2600	o.r.
1SQ7 458-8NA60-0CA0	5650	850	925	1545	1400	250	130	200	450	1740	2130	o.r.
1SQ7 458-8NA60-0CC0	5650	850	925	1545	1400	500	130	200	450	1740	2600	o.r.
1SQ7 502-8NA60-0AA2	5900	950	1005	1705	1320	315	160	240	500	1910	2180	o.r.
1SQ7 502-8NA60-0AC2	5950	950	1005	1705	1320	560	170	240	500	1910	2620	o.r.
1SQ7 502-8NA60-0CA2	6100	950	1005	1705	1320	315	160	240	500	1910	2180	o.r.
1SQ7 502-8NA60-0CC2	6150	950	1005	1705	1320	560	170	240	500	1910	2620	o.r.
1SQ7 503-8NA60-0AA2	6150	950	1005	1705	1320	315	160	240	500	1910	2180	o.r.
1SQ7 503-8NA60-0AC2	6200	950	1005	1705	1320	560	170	240	500	1910	2620	o.r.
1SQ7 503-8NA60-0CA2	6400	950	1005	1705	1320	315	160	240	500	1910	2180	o.r.
1SQ7 503-8NA60-0CC2	6450	950	1005	1705	1320	560	170	240	500	1910	2620	o.r.



Motor type	Weight	Dimensions												
		A	AD	AE	B	C	D	E	H	HD	L	ML		
	kg	mm	mm	mm	mm	mm	mm	mm	mm	mm	mm	mm	mm	
Innomotics HV M - 1SQ. IC81W 6000 V / 50 Hz B3 (IM 1001) - Dimension drawings														
1SQ7 504-8NA60-0AA2	6450	950	1005	1705	1320	315	160	240	500	1910	2180	o.r.		
1SQ7 504-8NA60-0AC2	6500	950	1005	1705	1320	560	170	240	500	1910	2620	o.r.		
1SQ7 504-8NA60-0CA2	6700	950	1005	1705	1320	315	160	240	500	1910	2180	o.r.		
1SQ7 504-8NA60-0CC2	6750	950	1005	1705	1320	560	170	240	500	1910	2620	o.r.		
1SQ7 507-8NA60-0AA2	7150	950	1005	1705	1500	315	160	240	500	1910	2390	o.r.		
1SQ7 507-8NA60-0AC2	7200	950	1005	1705	1500	560	170	240	500	1910	2830	o.r.		
1SQ7 507-8NA60-0CA2	7400	950	1005	1705	1500	315	160	240	500	1910	2390	o.r.		
1SQ7 507-8NA60-0CC2	7450	950	1005	1705	1500	560	170	240	500	1910	2830	o.r.		
1SQ7 508-8NA60-0AA2	7450	950	1005	1705	1500	315	160	240	500	1910	2390	o.r.		
1SQ7 508-8NA60-0AC2	7500	950	1005	1705	1500	560	170	240	500	1910	2830	o.r.		
1SQ7 508-8NA60-0CA2	7750	950	1005	1705	1500	315	160	240	500	1910	2390	o.r.		
1SQ7 508-8NA60-0CC2	7800	950	1005	1705	1500	560	170	240	500	1910	2830	o.r.		
1SQ7 563-8NA60-0CA2	8400	1060	1075	1845	1400	335	190	280	560	2110	2390	o.r.		
1SQ7 563-8NA60-0CC2	8450	1060	1075	1845	1400	600	190	280	560	2110	2850	o.r.		
1SQ7 564-8NA60-0CA2	8850	1060	1075	1845	1400	335	190	280	560	2110	2390	o.r.		
1SQ7 564-8NA60-0CC2	8900	1060	1075	1845	1400	600	190	280	560	2110	2850	o.r.		
1SQ7 567-8NA60-0CA2	9700	1060	1075	1845	1600	335	190	280	560	2110	2620	o.r.		
1SQ7 567-8NA60-0CC2	9750	1060	1075	1845	1600	600	190	280	560	2110	3080	o.r.		
1SQ7 568-8NA60-0CA2	10250	1060	1075	1845	1600	335	190	280	560	2110	2620	o.r.		
1SQ7 568-8NA60-0CC2	10300	1060	1075	1845	1600	600	190	280	560	2110	3080	o.r.		
1SQ8 633-8NA60-0CG0	9750	1320	1520	2520	1600	375	200	280	630	2380	2610	o.r.		
1SQ8 633-8NA60-0CJ0	9850	1320	1520	2520	1600	630	200	280	630	2380	3090	o.r.		
1SQ8 634-8NA60-0CG0	10500	1320	1520	2520	1600	375	200	280	630	2380	2610	o.r.		



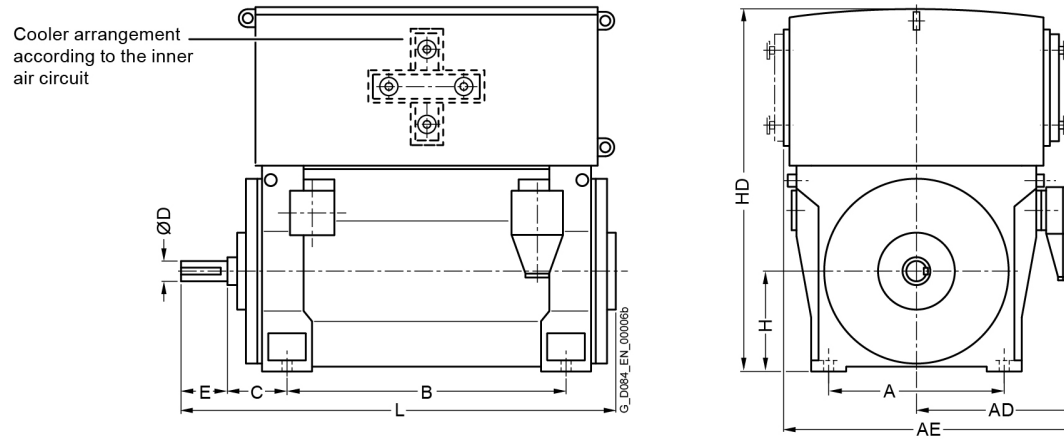
Motor type	Weight kg	Dimensions										
		A mm	AD mm	AE mm	B mm	C mm	D mm	E mm	H mm	HD mm	L mm	ML mm
Innomotics HV M - 1SQ. IC81W 6000 V / 50 Hz B3 (IM 1001) - Dimension drawings												
1SQ8 634-8NA60-0CJ0	10650	1320	1520	2520	1600	630	200	280	630	2380	3090	o.r.
1SQ8 637-8NA60-0CG0	11750	1320	1520	2520	1800	375	200	280	630	2380	2810	o.r.
1SQ8 637-8NA60-0CJ0	11850	1320	1520	2520	1800	630	200	280	630	2380	3290	o.r.
1SQ8 638-8NA60-0CG0	12450	1320	1520	2520	1800	375	200	280	630	2380	2810	o.r.
1SQ8 638-8NA60-0CJ0	12550	1320	1520	2520	1800	630	200	280	630	2380	3290	o.r.
1SQ8 712-8NA60-0CG0	13750	1500	1620	2720	2000	375	220	280	710	2550	3010	o.r.
1SQ8 712-8NA60-0CJ0	13950	1500	1620	2720	2000	630	220	280	710	2550	3480	o.r.
1SQ8 713-8NA60-0CG0	14500	1500	1620	2720	2000	375	220	280	710	2550	3010	o.r.
1SQ8 713-8NA60-0CJ0	14700	1500	1620	2720	2000	630	220	280	710	2550	3480	o.r.
1SQ8 714-8NA60-0CG0	15700	1500	1620	2720	2000	375	220	280	710	2550	3010	o.r.
1SQ8 714-8NA60-0CJ0	15900	1500	1620	2720	2000	630	220	280	710	2550	3480	o.r.
1SQ8 717-8NA60-0CG0	17250	1500	1620	2720	2240	375	220	280	710	2460	3250	o.r.
1SQ8 717-8NA60-0CJ0	17450	1500	1620	2720	2240	630	220	280	710	2460	3720	o.r.
1SQ8 718-8NA60-0CG0	18300	1500	1620	2720	2240	375	220	280	710	2460	3250	o.r.
1SQ8 718-8NA60-0CJ0	18500	1500	1620	2720	2240	630	220	280	710	2460	3720	o.r.

Innomotics HV M - 1SQ. IC81W 6600 V / 60 Hz B3 (IM 1001)																			
Rated power IEC	Article No.	Speed	Efficiency				Power factor				Torque	Breakdown torque	Locked torque	Locked rotor current	Inertia				
			I_R	5/4 load	4/4 load	3/4 load	2/4 load	5/4 load	4/4 load	3/4 load					2/4 load	T_R	T_B/ T_R	T_{LR}/ T_R	I_{LR}/ I_R
kW		rpm	A	%	%	%	%	cos φ	cos φ	cos φ	cos φ	Nm	[-]	[-]	[-]	kgm ²	kgm ²	[-]	
2-pole: n_{sync} = 3600 rpm at 60 Hz																			
1760	1SQ7 452-2NA10-0C.0	3572	182	95.5	96.1	96.2	95.8	0.86	0.88	0.88	0.87	4705	2.00	0.50	4.5	13	80	o.r.	
2000	1SQ7 453-2NA10-0A.0	3574	210	95.7	96.3	96.4	95.9	0.85	0.87	0.85	0.81	5344	2.05	0.40	5.0	10	15	o.r.	
2050	1SQ7 453-2NA10-0C.0	3572	210	95.6	96.3	96.3	95.9	0.86	0.88	0.88	0.87	5480	2.00	0.50	4.5	14	80	o.r.	
2150	1SQ7 454-2NA10-0A.0	3575	220	95.8	96.4	96.5	96.1	0.87	0.88	0.87	0.83	5743	2.20	0.50	5.1	11	20	o.r.	
2200	1SQ7 454-2NA10-0C.0	3573	225	95.8	96.4	96.4	96.1	0.88	0.89	0.90	0.88	5880	2.10	0.50	5.0	15	85	o.r.	
2400	1SQ7 457-2NA10-0A.0	3575	245	96.0	96.5	96.6	96.1	0.86	0.88	0.87	0.83	6411	2.20	0.50	5.2	12	20	o.r.	
2450	1SQ7 457-2NA10-0C.0	3574	250	95.9	96.5	96.6	96.2	0.87	0.89	0.89	0.88	6546	2.10	0.50	5.0	16	90	o.r.	
2550	1SQ7 458-2NA10-0A.0	3576	255	96.1	96.7	96.8	96.4	0.88	0.90	0.89	0.86	6809	2.30	0.55	5.5	13	25	o.r.	
2600	1SQ7 458-2NA10-0C.0	3574	260	96.1	96.6	96.8	96.4	0.89	0.91	0.91	0.90	6947	2.25	0.60	5.2	17	95	o.r.	
3150	1SQ7 503-2NA10-0C.0	3573	325	96.2	96.6	96.8	96.6	0.87	0.88	0.89	0.86	8419	2.15	0.60	4.2	20	62	o.r.	
3400	1SQ7 504-2NA10-0C.0	3573	350	96.3	96.7	96.9	96.7	0.87	0.88	0.89	0.84	9087	2.15	0.60	4.2	21	58	o.r.	
3800	1SQ7 507-2NA10-0C.0	3574	385	96.5	96.9	97.1	96.9	0.88	0.89	0.90	0.87	10153	2.20	0.65	4.4	24	64	o.r.	
4200	1SQ7 508-2NA10-0C.0	3578	420	96.8	97.1	97.2	96.9	0.90	0.90	0.90	0.86	11209	2.55	0.70	5.3	27	74	o.r.	
4910	1SQ7 562-2NA10-0CC0	3578	500	96.3	96.7	96.8	96.4	0.85	0.88	0.88	0.86	13104	2.00	0.50	4.6	41	145	o.r.	
5730	1SQ7 564-2NA10-0CC0	3581	590	96.5	96.9	96.9	96.4	0.86	0.88	0.88	0.86	15280	2.15	0.50	4.9	47	160	o.r.	
6010	1SQ7 567-2NA10-0CC0	3581	600	96.6	97.0	97.0	96.6	0.88	0.90	0.90	0.88	16027	2.30	0.50	5.2	52	180	o.r.	
6960	1SQ7 568-2NA10-0CC0	3583	700	96.9	97.2	97.2	96.8	0.88	0.90	0.89	0.87	18550	2.35	0.55	5.4	58	185	o.r.	
7500	1SQ8 632-2NA10-0CJ0	3579	780	96.5	97.0	96.8	96.1	0.84	0.87	0.88	0.88	20011	1.85	0.45	4.4	75	120	o.r.	
8350	1SQ8 633-2NA10-0CJ0	3580	850	96.7	97.1	96.9	96.3	0.85	0.88	0.89	0.89	22273	1.90	0.50	4.6	82	120	o.r.	
9200	1SQ8 634-2NA10-0CJ0	3580	930	97.0	97.3	97.1	96.4	0.87	0.89	0.90	0.89	24540	2.10	0.50	5.0	90	120	o.r.	
10400	1SQ8 637-2NA10-0CJ0	3581	1040	97.0	97.4	97.2	96.6	0.87	0.90	0.90	0.90	27733	2.10	0.55	5.0	99	100	o.r.	
11550	1SQ8 638-2NA10-0CJ0	3582	1160	97.2	97.5	97.3	96.8	0.88	0.90	0.91	0.90	30791	2.15	0.55	5.2	108	100	o.r.	
12400	1SQ8 713-2NA10-0CJ0	3584	1260	96.8	97.0	96.8	96.1	0.85	0.89	0.89	0.89	33039	1.80	0.40	4.1	160	50	o.r.	
13700	1SQ8 714-2NA10-0CJ0	3585	1360	97.1	97.2	97.0	96.3	0.88	0.90	0.90	0.90	36492	1.95	0.50	4.7	173	40	o.r.	
15300	1SQ8 716-2NA10-0CJ0	3585	1520	97.2	97.3	97.1	96.4	0.88	0.90	0.90	0.90	40754	2.00	0.55	4.8	186	30	o.r.	
16000	1SQ8 717-2NA10-0CJ0	3586	1580	97.3	97.4	97.1	96.4	0.89	0.91	0.91	0.90	42607	2.15	0.40	5.0	202	30	o.r.	
4-pole: n_{sync} = 1800 rpm at 60 Hz																			
1850	1SQ7 453-4NA10-0A.0	1779	194	95.2	96.0	96.4	96.3	0.86	0.87	0.85	0.80	9930	2.10	0.55	5.0	17	150	o.r.	
1930	1SQ7 453-4NA10-0C.0	1782	200	95.4	96.2	96.5	96.4	0.86	0.87	0.85	0.80	10342	2.05	0.45	4.5	23	270	o.r.	
2030	1SQ7 454-4NA10-0A.0	1781	210	95.5	96.2	96.5	96.4	0.87	0.88	0.85	0.79	10884	2.25	0.65	5.2	19	185	o.r.	
2110	1SQ7 454-4NA10-0C.0	1783	220	95.6	96.3	96.6	96.6	0.87	0.88	0.87	0.82	11301	2.05	0.45	4.5	25	300	o.r.	
2350	1SQ7 457-4NA10-0A.0	1782	240	95.9	96.5	96.7	96.6	0.88	0.88	0.86	0.79	12593	2.45	0.75	5.8	22	245	o.r.	
2450	1SQ7 457-4NA10-0C.0	1785	250	96.0	96.6	96.9	96.7	0.88	0.89	0.87	0.82	13107	2.20	0.50	5.0	30	385	o.r.	
2550	1SQ7 458-4NA10-0A.0	1782	260	96.0	96.6	96.8	96.7	0.88	0.89	0.87	0.81	13665	2.45	0.75	5.8	24	250	o.r.	
2700	1SQ7 458-4NA10-0C.0	1786	275	96.2	96.8	97.0	96.8	0.88	0.89	0.87	0.81	14436	2.35	0.55	5.2	32	415	o.r.	
3050	1SQ7 503-4NA10-0A.0	1784	315	96.2	96.8	97.1	97.0	0.86	0.87	0.87	0.83	16326	2.15	0.65	4.7	37	370	o.r.	

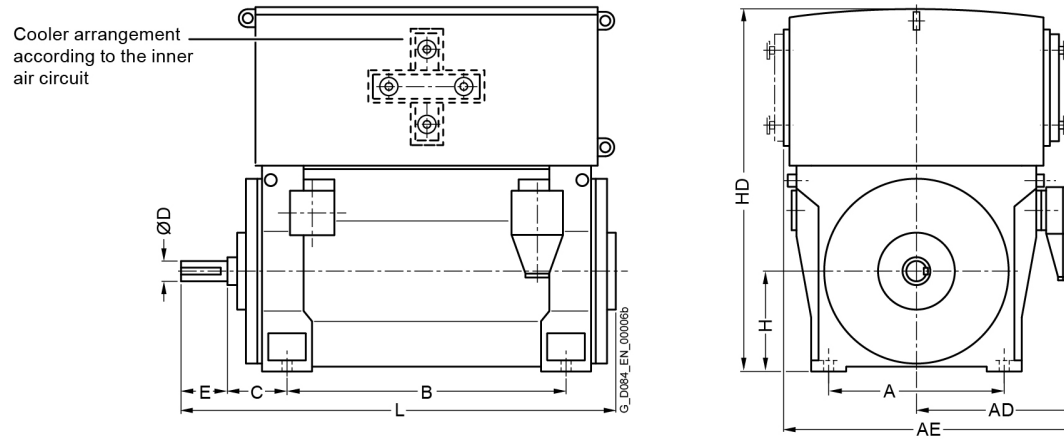
Innomotics HV M - 1SQ. IC81W 6600 V / 60 Hz B3 (IM 1001)																		
Rated power IEC	Article No.	Speed	Rated current I_R	Efficiency				Power factor				Torque T_R	Breakdown torque T_B/ T_R	Locked rotor torque T_{LR}/ T_R	Locked rotor current I_{LR}/ I_R	Inertia		
				5/4 load	4/4 load	3/4 load	2/4 load	5/4 load	4/4 load	3/4 load	2/4 load					motor	external	Startup max T/TR
kW		rpm	A	%	%	%	%	cos φ	cos φ	cos φ	cos φ	Nm	[-]	[-]	[-]	kgm ²	kgm ²	[-]
3000	1SQ7 503-4NA10-0C.0	1786	310	96.4	96.9	97.2	97.0	0.87	0.88	0.87	0.84	16040	2.10	0.50	4.4	45	235	o.r.
3400	1SQ7 504-4NA10-0A.0	1784	350	96.4	96.9	97.2	97.1	0.87	0.88	0.87	0.82	18199	2.25	0.70	5.0	40	480	o.r.
3450	1SQ7 504-4NA10-0C.0	1786	350	96.5	97.0	97.3	97.1	0.87	0.89	0.87	0.84	18446	2.20	0.50	4.5	50	550	o.r.
3750	1SQ7 507-4NA10-0A.0	1786	385	96.6	97.0	97.3	97.0	0.87	0.88	0.86	0.80	20050	2.40	0.80	5.4	46	415	o.r.
3800	1SQ7 507-4NA10-0C.0	1788	385	96.7	97.1	97.3	97.1	0.88	0.89	0.87	0.83	20295	2.40	0.55	5.0	56	465	o.r.
4000	1SQ7 508-4NA10-0A.0	1786	405	96.7	97.1	97.3	97.1	0.88	0.89	0.87	0.82	21387	2.60	0.90	5.8	50	405	o.r.
4100	1SQ7 508-4NA10-0C.0	1788	415	96.8	97.2	97.4	97.1	0.88	0.89	0.88	0.83	21897	2.45	0.60	5.1	62	440	o.r.
4400	1SQ7 563-4NA10-0C.0	1789	450	96.8	97.2	97.5	97.3	0.86	0.88	0.88	0.85	23486	2.00	0.55	4.8	80	470	o.r.
5000	1SQ7 564-4NA10-0C.0	1790	505	97.0	97.3	97.6	97.4	0.88	0.89	0.89	0.86	26674	2.15	0.65	5.2	90	520	o.r.
5650	1SQ7 566-4NA10-0C.0	1789	564	97.0	97.4	97.7	97.6	0.88	0.90	0.89	0.87	30158	2.10	0.60	5.1	100	565	o.r.
6300	1SQ7 567-4NA10-0C.0	1789	628	97.1	97.5	97.8	97.7	0.88	0.90	0.90	0.88	33628	2.10	0.60	5.1	110	610	o.r.
7100	1SQ7 568-4NA10-0C.0	1789	707	97.2	97.6	97.9	97.8	0.88	0.90	0.90	0.89	37898	2.00	0.60	4.9	119	640	o.r.
7800	1SQ8 633-4NA10-0C.0	1789	790	97.0	97.4	97.5	97.3	0.87	0.89	0.88	0.85	41635	2.05	0.50	5.0	151	310	o.r.
8950	1SQ8 634-4NA10-0C.0	1789	900	97.1	97.5	97.7	97.5	0.87	0.89	0.88	0.86	47773	2.05	0.50	5.0	166	310	o.r.
10100	1SQ8 637-4NA10-0C.0	1790	1020	97.3	97.6	97.7	97.5	0.87	0.89	0.88	0.85	53882	2.10	0.50	5.0	182	330	o.r.
10750	1SQ8 638-4NA10-0C.0	1790	1060	97.2	97.7	97.8	97.7	0.87	0.90	0.90	0.88	57349	2.10	0.50	5.0	198	370	o.r.
11100	1SQ8 712-4NA10-0C.0	1791	1120	97.4	97.6	97.7	97.4	0.88	0.89	0.88	0.85	59183	2.30	0.50	5.3	259	380	o.r.
12150	1SQ8 713-4NA10-0C.0	1791	1220	97.5	97.7	97.8	97.5	0.88	0.89	0.89	0.85	64782	2.40	0.50	5.7	284	410	o.r.
13500	1SQ8 714-4NA10-0C.0	1791	1340	97.5	97.8	97.8	97.6	0.88	0.90	0.89	0.86	71980	2.40	0.50	5.7	312	420	o.r.
15000	1SQ8 717-4NA10-0C.0	1791	1500	97.5	97.8	97.9	97.6	0.89	0.90	0.90	0.86	79977	2.40	0.50	5.8	346	460	o.r.
15400	1SQ8 718-4NA10-0C.0	1791	1520	97.6	97.8	97.9	97.7	0.90	0.91	0.91	0.88	82110	2.45	0.55	5.9	365	500	o.r.
6-pole: n_{sync} = 1200 rpm at 60 Hz																		
1420	1SQ7 452-6NA10-0A.0	1187	158	94.9	95.7	96.0	96.0	0.82	0.82	0.78	0.68	11424	2.10	0.70	5.0	20	480	o.r.
1580	1SQ7 453-6NA10-0A.0	1187	174	95.1	95.9	96.2	96.3	0.82	0.83	0.79	0.70	12711	2.10	0.70	5.0	22	595	o.r.
1600	1SQ7 453-6NA10-0C.0	1187	172	95.0	95.9	96.3	96.4	0.83	0.85	0.83	0.77	12872	2.00	0.55	4.5	30	790	o.r.
1720	1SQ7 454-6NA10-0A.0	1188	186	95.2	96.0	96.3	96.4	0.83	0.84	0.80	0.71	13826	2.10	0.70	5.0	24	640	o.r.
1750	1SQ7 454-6NA10-0C.0	1187	188	95.1	96.0	96.4	96.5	0.84	0.85	0.83	0.78	14079	2.00	0.55	4.5	33	835	o.r.
1880	1SQ7 457-6NA10-0A.0	1188	200	95.3	96.1	96.5	96.5	0.83	0.85	0.82	0.74	15112	2.10	0.70	5.0	28	710	o.r.
1900	1SQ7 457-6NA10-0C.0	1187	200	95.3	96.1	96.5	96.6	0.84	0.86	0.84	0.79	15285	2.05	0.55	4.6	36	950	o.r.
2070	1SQ7 458-6NA10-0A.0	1189	220	95.6	96.3	96.6	96.6	0.84	0.85	0.81	0.73	16625	2.20	0.80	5.4	31	780	o.r.
2100	1SQ7 458-6NA10-0C.0	1189	220	95.6	96.3	96.7	96.7	0.85	0.87	0.85	0.79	16866	2.20	0.65	5.0	41	990	o.r.
2520	1SQ7 503-6NA10-0A.0	1189	270	95.9	96.5	96.9	96.8	0.83	0.84	0.81	0.73	20239	2.15	0.80	4.6	46	1200	o.r.
2440	1SQ7 503-6NA10-0C.0	1191	260	96.1	96.7	97.0	96.9	0.84	0.85	0.83	0.77	19564	2.15	0.70	4.4	60	1250	o.r.
2820	1SQ7 504-6NA10-0A.0	1190	305	96.1	96.7	96.9	96.9	0.83	0.83	0.79	0.70	22629	2.25	0.90	4.7	51	1350	o.r.
2860	1SQ7 504-6NA10-0C.0	1191	305	96.3	96.8	97.1	97.0	0.84	0.85	0.82	0.76	22931	2.15	0.70	4.3	66	1400	o.r.
3050	1SQ7 507-6NA10-0A.0	1190	330	96.3	96.8	97.1	97.0	0.83	0.84	0.80	0.71	24475	2.30	0.85	4.9	58	1500	o.r.
3140	1SQ7 507-6NA10-0C.0	1191	335	96.4	97.0	97.2	97.1	0.84	0.85	0.83	0.77	25176	2.15	0.65	4.4	74	1550	o.r.

Innomotics HV M - 1SQ. IC81W 6600 V / 60 Hz B3 (IM 1001)																			
Rated power IEC	Article No.	Speed	Rated current I_R	Efficiency				Power factor				Torque T_R	Breakdown torque T_B/ T_R	Locked rotor torque T_{LR}/ T_R	Locked rotor current I_{LR}/ I_R	Inertia			
				5/4 load	4/4 load	3/4 load	2/4 load	5/4 load	4/4 load	3/4 load	2/4 load					motor	external	Startup max T/TR	
kW		rpm	A	%	%	%	%	cos φ	cos φ	cos φ	cos φ	Nm	[-]	[-]	[-]	kgm ²	kgm ²	[-]	
3250	1SQ7 508-6NA10-0C.0	1192	340	96.5	97.0	97.2	97.2	0.85	0.86	0.84	0.78	26036	2.20	0.75	4.5	81	1650	o.r.	
3160	1SQ7 508-6NA10-0A.0	1189	330	96.3	96.8	97.2	97.2	0.84	0.86	0.85	0.79	25379	2.15	0.85	4.7	63	1600	o.r.	
4000	1SQ7 562-6NA10-0C.0	1191	425	96.4	96.9	97.1	96.9	0.84	0.85	0.84	0.79	32072	2.20	0.60	4.8	105	1140	o.r.	
3550	1SQ7 562-6NA10-0H.0	1192	375	96.4	96.9	97.0	96.8	0.85	0.86	0.85	0.81	28440	2.25	0.60	5.0	105	1180	o.r.	
4650	1SQ7 567-6NA10-0C.0	1192	480	96.6	97.1	97.3	97.2	0.85	0.87	0.86	0.82	37252	2.25	0.60	5.0	134	1490	o.r.	
5100	1SQ7 568-6NA10-0C.0	1193	530	96.9	97.3	97.4	97.3	0.86	0.87	0.86	0.82	40823	2.35	0.65	5.2	150	1930	o.r.	
5900	1SQ8 632-6NA10-0C.0	1191	620	96.7	97.1	97.3	97.0	0.84	0.86	0.83	0.77	47305	2.10	0.50	4.8	193	1120	o.r.	
6650	1SQ8 633-6NA10-0C.0	1191	700	96.8	97.2	97.4	97.1	0.84	0.86	0.83	0.77	53319	2.10	0.53	4.8	209	1110	o.r.	
7150	1SQ8 634-6NA10-0C.0	1191	740	96.8	97.3	97.4	97.2	0.85	0.87	0.84	0.78	57328	2.10	0.54	4.8	227	1250	o.r.	
7800	1SQ8 637-6NA10-0C.0	1191	810	96.9	97.3	97.5	97.3	0.85	0.87	0.85	0.79	62539	2.10	0.55	4.8	247	1350	o.r.	
8350	1SQ8 638-6NA10-0C.0	1191	860	97.0	97.4	97.5	97.3	0.85	0.87	0.85	0.79	66949	2.15	0.56	4.9	265	1490	o.r.	
8900	1SQ8 712-6NA10-0C.0	1193	930	97.2	97.6	97.7	97.5	0.85	0.86	0.85	0.79	71240	2.15	0.50	5.1	331	1270	o.r.	
9750	1SQ8 713-6NA10-0C.0	1194	1000	97.3	97.6	97.7	97.5	0.85	0.87	0.84	0.78	77978	2.30	0.55	5.4	374	1550	o.r.	
10800	1SQ8 714-6NA10-0C.0	1194	1100	97.3	97.7	97.8	97.5	0.86	0.88	0.85	0.80	86376	2.30	0.55	5.4	424	1780	o.r.	
12000	1SQ8 717-6NA10-0C.0	1194	1220	97.4	97.7	97.9	97.6	0.87	0.88	0.86	0.80	95973	2.35	0.60	5.5	478	2080	o.r.	
13000	1SQ8 718-6NA10-0C.0	1194	1320	97.5	97.8	97.9	97.6	0.87	0.88	0.86	0.80	103971	2.45	0.60	5.5	524	2300	o.r.	
8-pole: n_{sync} = 900 rpm at 60 Hz																			
1040	1SQ7 452-8NA10-0A.0	889	120	94.3	95.3	95.6	95.3	0.79	0.80	0.75	0.64	11171	1.80	0.55	4.5	25	1150	o.r.	
1110	1SQ7 452-8NA10-0C.0	889	126	94.2	95.2	95.6	95.4	0.80	0.81	0.78	0.68	11923	1.85	0.50	4.5	32	1510	o.r.	
1130	1SQ7 453-8NA10-0A.0	889	128	94.5	95.5	95.8	95.6	0.79	0.81	0.77	0.67	12138	1.80	0.55	4.5	28	1180	o.r.	
1220	1SQ7 453-8NA10-0C.0	889	136	94.4	95.5	95.9	95.8	0.80	0.82	0.79	0.71	13105	1.85	0.50	4.5	36	1600	o.r.	
1250	1SQ7 454-8NA10-0A.0	890	142	94.5	95.5	95.8	95.6	0.80	0.81	0.77	0.66	13412	1.85	0.55	4.5	31	1200	o.r.	
1300	1SQ7 454-8NA10-0C.0	890	144	94.6	95.5	95.8	95.6	0.82	0.83	0.79	0.69	13948	2.00	0.55	4.5	40	1650	o.r.	
1400	1SQ7 457-8NA10-0A.0	890	158	94.8	95.7	96.0	95.7	0.80	0.81	0.77	0.66	15021	1.90	0.60	4.5	35	1740	o.r.	
1460	1SQ7 457-8NA10-0C.0	890	160	94.9	95.7	96.0	95.8	0.82	0.83	0.79	0.69	15665	2.05	0.55	5.0	45	2200	o.r.	
1530	1SQ7 458-8NA10-0A.0	890	172	94.9	95.8	96.1	95.8	0.80	0.81	0.77	0.67	16416	1.90	0.60	4.5	39	1950	o.r.	
1570	1SQ7 458-8NA10-0C.0	891	172	95.1	95.9	96.1	95.9	0.82	0.83	0.79	0.70	16826	2.15	0.55	5.0	50	2250	o.r.	
1680	1SQ7 502-8NA10-0C.0	891	188	95.5	96.2	96.7	96.7	0.80	0.81	0.80	0.73	18005	2.00	0.45	3.7	59	2620	o.r.	
1800	1SQ7 503-8NA10-0A.0	893	205	95.8	96.3	96.6	96.3	0.80	0.80	0.75	0.65	19248	2.15	0.75	4.3	51	2100	o.r.	
1830	1SQ7 503-8NA10-0C.0	892	205	95.8	96.4	96.7	96.6	0.81	0.82	0.79	0.70	19591	2.15	0.55	4.0	65	2720	o.r.	
2000	1SQ7 504-8NA10-0A.0	893	225	96.0	96.5	96.7	96.5	0.81	0.81	0.76	0.67	21387	2.15	0.75	4.3	56	2450	o.r.	
2040	1SQ7 504-8NA10-0C.0	892	225	95.9	96.5	96.8	96.7	0.81	0.83	0.79	0.71	21839	2.15	0.55	4.0	72	3080	o.r.	
2200	1SQ7 507-8NA10-0A.0	893	245	96.1	96.6	96.8	96.6	0.81	0.81	0.77	0.67	23526	2.15	0.75	4.4	63	2710	o.r.	
2280	1SQ7 507-8NA10-0C.0	892	250	96.0	96.6	96.9	96.8	0.82	0.83	0.80	0.72	24409	2.15	0.55	4.1	80	3310	o.r.	
2480	1SQ7 508-8NA10-0A.0	893	280	96.1	96.6	96.8	96.5	0.81	0.80	0.75	0.65	26520	2.25	0.80	4.5	69	2550	o.r.	
2550	1SQ7 508-8NA10-0C.0	893	280	96.1	96.6	96.9	96.8	0.82	0.83	0.79	0.70	27268	2.25	0.60	4.2	88	3150	o.r.	
2800	1SQ7 563-8NA10-0C.0	894	310	96.1	96.5	96.9	96.6	0.82	0.82	0.80	0.73	29908	2.10	0.55	4.6	124	2530	o.r.	

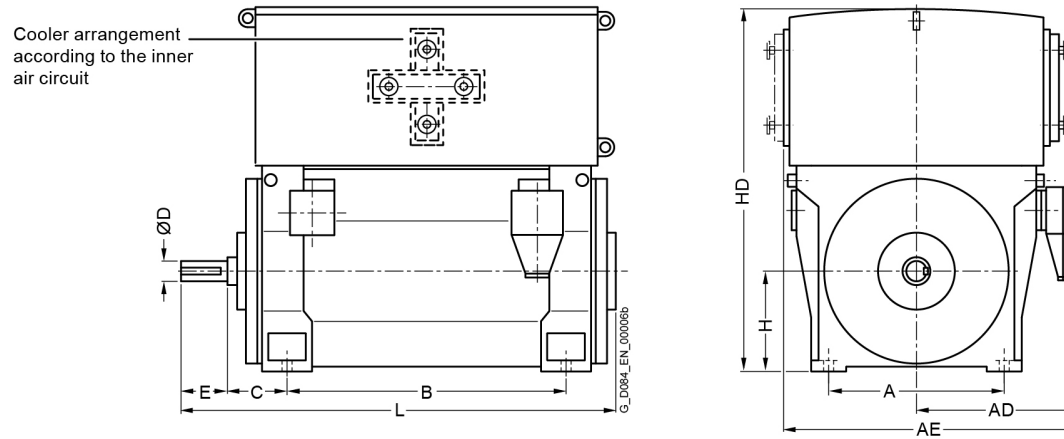
Innomotics HV M - 1SQ. IC81W 6600 V / 60 Hz B3 (IM 1001)																		
Rated power IEC	Article No.	Speed	Rated current I_R	Efficiency				Power factor				Torque T_R	Breakdown torque T_B / T_R	Locked rotor torque T_{LR} / T_R	Locked rotor current I_{LR} / I_R	Inertia		
				5/4 load	4/4 load	3/4 load	2/4 load	5/4 load	4/4 load	3/4 load	2/4 load					motor	external	Startup max T/TR
kW		rpm	A	%	%	%	%	$\cos \varphi$	$\cos \varphi$	$\cos \varphi$	$\cos \varphi$	Nm	[-]	[-]	[-]	kgm ²	kgm ²	[-]
3150	1SQ7 564-8NA10-0C.0	894	350	96.3	96.7	97.0	96.7	0.82	0.82	0.79	0.72	33647	2.20	0.60	4.8	137	3005	o.r.
3550	1SQ7 567-8NA10-0C.0	893	390	96.3	96.7	97.1	96.9	0.82	0.82	0.81	0.75	37962	2.05	0.55	4.5	150	3015	o.r.
4000	1SQ7 568-8NA10-0C.0	894	440	96.5	96.8	97.2	97.0	0.82	0.82	0.81	0.74	42726	2.05	0.55	4.6	165	3725	o.r.
4050	1SQ8 633-8NA10-0C.0	892	430	95.8	96.4	96.5	96.2	0.84	0.85	0.82	0.75	43357	1.90	0.40	4.1	216	2690	o.r.
4850	1SQ8 634-8NA10-0C.0	892	520	96.0	96.6	96.7	96.4	0.84	0.85	0.82	0.76	51922	1.90	0.40	4.1	251	2950	o.r.
5400	1SQ8 637-8NA10-0C.0	893	570	96.4	96.8	96.8	96.4	0.85	0.86	0.82	0.75	57745	2.05	0.40	4.5	292	3640	o.r.
5700	1SQ8 638-8NA10-0C.0	894	600	96.5	96.9	96.9	96.5	0.85	0.86	0.82	0.75	60885	2.15	0.50	5.0	326	4290	o.r.
6100	1SQ8 712-8NA10-0C.0	895	640	96.6	97.0	96.9	96.6	0.86	0.86	0.82	0.74	65085	2.30	0.55	5.0	422	3590	o.r.
6900	1SQ8 713-8NA10-0C.0	895	720	96.8	97.1	97.0	96.6	0.86	0.86	0.82	0.74	73620	2.40	0.55	5.1	474	4020	o.r.
7900	1SQ8 714-8NA10-0C.0	895	820	96.9	97.2	97.1	96.7	0.87	0.87	0.82	0.74	84290	2.50	0.60	5.3	542	4540	o.r.
9250	1SQ8 717-8NA10-0C.0	895	960	97.1	97.3	97.3	96.8	0.87	0.87	0.82	0.74	98694	2.45	0.55	5.3	620	4970	o.r.
10000	1SQ8 718-8NA10-0C.0	895	1040	97.2	97.4	97.3	96.9	0.87	0.87	0.83	0.74	106696	2.55	0.55	5.5	684	5590	o.r.



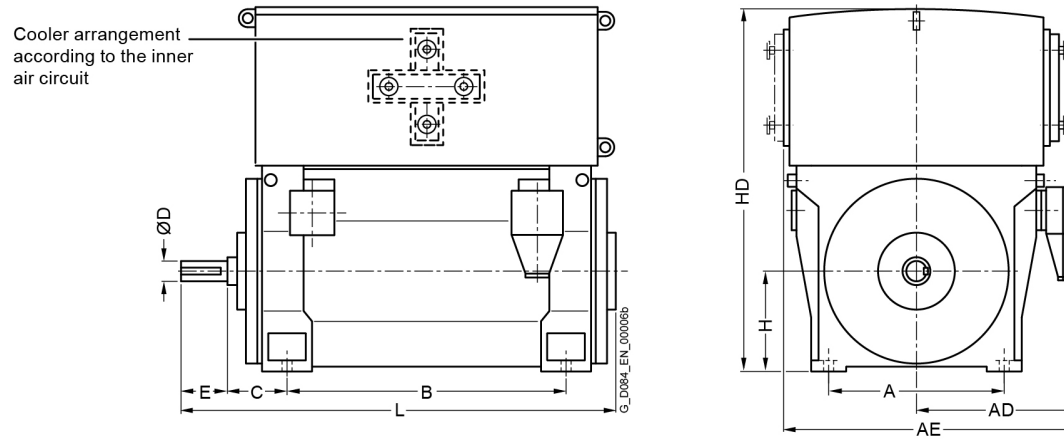
Motor type	Weight	Dimensions											
		A	AD	AE	B	C	D	E	H	HD	L	ML	
	kg	mm	mm	mm	mm	mm	mm	mm	mm	mm	mm	mm	mm
Innomotics HV M - 1SQ. IC81W 6600 V / 60 Hz B3 (IM 1001) - Dimension drawings													
2-pole													
1SQ7 452-2NA10-0CA0	4200	850	925	1545	1180	250	95	130	450	1650	1840	o.r.	
1SQ7 452-2NA10-0CC0	4100	850	925	1545	1180	475	95	130	450	1650	2270	o.r.	
1SQ7 453-2NA10-0AA0	4200	850	925	1545	1180	250	95	130	450	1650	1840	o.r.	
1SQ7 453-2NA10-0AC0	4100	850	925	1545	1180	475	95	130	450	1650	2270	o.r.	
1SQ7 453-2NA10-0CA0	4350	850	925	1545	1180	250	95	130	450	1650	1840	o.r.	
1SQ7 453-2NA10-0CC0	4250	850	925	1545	1180	475	95	130	450	1650	2270	o.r.	
1SQ7 454-2NA10-0AA0	4300	850	925	1545	1180	250	95	130	450	1650	1840	o.r.	
1SQ7 454-2NA10-0AC0	4200	850	925	1545	1180	475	95	130	450	1650	2270	o.r.	
1SQ7 454-2NA10-0CA0	4450	850	925	1545	1180	250	95	130	450	1650	1840	o.r.	
1SQ7 454-2NA10-0CC0	4350	850	925	1545	1180	475	95	130	450	1650	2270	o.r.	
1SQ7 457-2NA10-0AA0	4700	850	925	1545	1400	250	95	130	450	1650	2050	o.r.	
1SQ7 457-2NA10-0AC0	4600	850	925	1545	1400	475	95	130	450	1650	2480	o.r.	
1SQ7 457-2NA10-0CA0	4850	850	925	1545	1400	250	95	130	450	1650	2050	o.r.	
1SQ7 457-2NA10-0CC0	4750	850	925	1545	1400	475	95	130	450	1650	2480	o.r.	
1SQ7 458-2NA10-0AA0	4900	850	925	1545	1400	250	95	130	450	1650	2050	o.r.	
1SQ7 458-2NA10-0AC0	4800	850	925	1545	1400	475	95	130	450	1650	2480	o.r.	
1SQ7 458-2NA10-0CA0	5050	850	925	1545	1400	250	95	130	450	1650	2050	o.r.	
1SQ7 458-2NA10-0CC0	4950	850	925	1545	1400	475	95	130	450	1650	2480	o.r.	
1SQ7 503-2NA10-0CA0	5850	950	1005	1705	1320	250	110	165	500	1790	1960	o.r.	
1SQ7 503-2NA10-0CC0	5800	950	1005	1705	1320	530	120	165	500	1790	2510	o.r.	
1SQ7 504-2NA10-0CA0	5950	950	1005	1705	1320	250	110	165	500	1790	1960	o.r.	
1SQ7 504-2NA10-0CC0	5900	950	1005	1705	1320	530	120	165	500	1790	2510	o.r.	



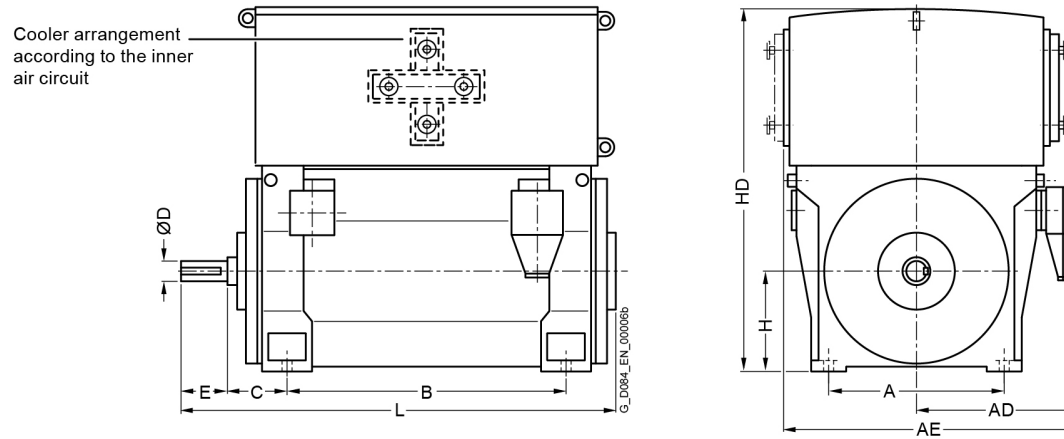
Motor type	Weight	Dimensions												
		A	AD	AE	B	C	D	E	H	HD	L	ML		
	kg	mm	mm	mm	mm	mm	mm	mm	mm	mm	mm	mm	mm	
Innomotics HV M - 1SQ. IC81W 6600 V / 60 Hz B3 (IM 1001) - Dimension drawings														
1SQ7 507-2NA10-0CA0	6600	950	1005	1705	1500	250	110	165	500	1790	2170	o.r.		
1SQ7 507-2NA10-0CC0	6550	950	1005	1705	1500	530	120	165	500	1790	2720	o.r.		
1SQ7 508-2NA10-0CA0	6950	950	1005	1705	1500	250	110	165	500	1790	2170	o.r.		
1SQ7 508-2NA10-0CC0	6900	950	1005	1705	1500	530	120	165	500	1790	2720	o.r.		
1SQ7 562-2NA10-0CC0	7650	1060	1290	2060	1400	600	150	200	560	1970	2810	o.r.		
1SQ7 564-2NA10-0CC0	8200	1060	1290	2060	1400	600	150	200	560	1970	2810	o.r.		
1SQ7 567-2NA10-0CC0	8950	1060	1290	2060	1600	600	150	200	560	1970	3040	o.r.		
1SQ7 568-2NA10-0CC0	9550	1060	1290	2060	1600	600	150	200	560	1970	3040	o.r.		
1SQ8 632-2NA10-0CJ0	9350	1320	1520	2520	1600	560	160	240	630	2250	2890	o.r.		
1SQ8 633-2NA10-0CJ0	9850	1320	1520	2520	1600	560	160	240	630	2250	2890	o.r.		
1SQ8 634-2NA10-0CJ0	10350	1320	1520	2520	1600	560	160	240	630	2250	2890	o.r.		
1SQ8 637-2NA10-0CJ0	11150	1320	1520	2520	1800	560	160	240	630	2250	3090	o.r.		
1SQ8 638-2NA10-0CJ0	11850	1320	1520	2520	1800	560	160	240	630	2250	3090	o.r.		
1SQ8 713-2NA10-0CJ0	13650	1500	1620	2720	2000	560	180	240	710	2550	3280	o.r.		
1SQ8 714-2NA10-0CJ0	14450	1500	1620	2720	2000	560	180	240	710	2550	3280	o.r.		
1SQ8 716-2NA10-0CJ0	15550	1500	1620	2720	2240	560	180	240	710	2460	3520	o.r.		
1SQ8 717-2NA10-0CJ0	16250	1500	1620	2720	2240	560	180	240	710	2460	3520	o.r.		
4-pole														
1SQ7 453-4NA10-0AA0	4250	850	925	1545	1180	250	130	200	450	1740	1920	o.r.		
1SQ7 453-4NA10-0AC0	4250	850	925	1545	1180	500	130	200	450	1740	2390	o.r.		
1SQ7 453-4NA10-0CA0	4350	850	925	1545	1180	250	130	200	450	1740	1920	o.r.		
1SQ7 453-4NA10-0CC0	4400	850	925	1545	1180	500	130	200	450	1740	2390	o.r.		
1SQ7 454-4NA10-0AA0	4400	850	925	1545	1180	250	130	200	450	1740	1920	o.r.		



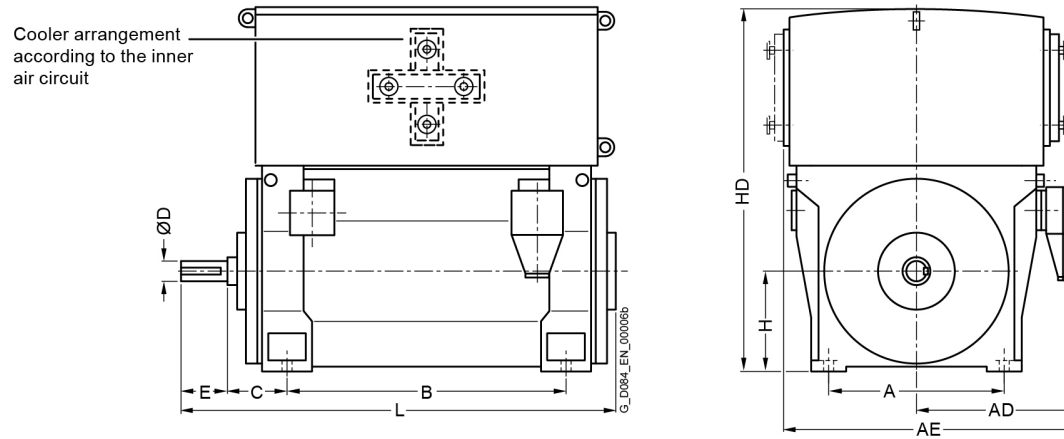
Motor type	Weight kg	Dimensions										
		A mm	AD mm	AE mm	B mm	C mm	D mm	E mm	H mm	HD mm	L mm	ML mm
Innomotics HV M - 1SQ. IC81W 6600 V / 60 Hz B3 (IM 1001) - Dimension drawings												
1SQ7 454-4NA10-0AC0	4450	850	925	1545	1180	500	130	200	450	1740	2390	o.r.
1SQ7 454-4NA10-0CA0	4550	850	925	1545	1180	250	130	200	450	1740	1920	o.r.
1SQ7 454-4NA10-0CC0	4600	850	925	1545	1180	500	130	200	450	1740	2390	o.r.
1SQ7 457-4NA10-0AA0	5000	850	925	1545	1400	250	130	200	450	1740	2130	o.r.
1SQ7 457-4NA10-0AC0	5050	850	925	1545	1400	500	130	200	450	1740	2600	o.r.
1SQ7 457-4NA10-0CA0	5200	850	925	1545	1400	250	130	200	450	1740	2130	o.r.
1SQ7 457-4NA10-0CC0	5200	850	925	1545	1400	500	130	200	450	1740	2600	o.r.
1SQ7 458-4NA10-0AA0	5250	850	925	1545	1400	250	130	200	450	1740	2130	o.r.
1SQ7 458-4NA10-0AC0	5250	850	925	1545	1400	500	130	200	450	1740	2600	o.r.
1SQ7 458-4NA10-0CA0	5400	850	925	1545	1400	250	130	200	450	1740	2130	o.r.
1SQ7 458-4NA10-0CC0	5450	850	925	1545	1400	500	130	200	450	1740	2600	o.r.
1SQ7 503-4NA10-0AA0	6000	950	1005	1705	1320	315	160	240	500	1790	2180	o.r.
1SQ7 503-4NA10-0AC0	6050	950	1005	1705	1320	560	170	240	500	1790	2620	o.r.
1SQ7 503-4NA10-0CA0	6150	950	1005	1705	1320	315	160	240	500	1790	2180	o.r.
1SQ7 503-4NA10-0CC0	6200	950	1005	1705	1320	560	170	240	500	1790	2620	o.r.
1SQ7 504-4NA10-0AA0	6300	950	1005	1705	1320	315	160	240	500	1790	2180	o.r.
1SQ7 504-4NA10-0AC0	6350	950	1005	1705	1320	560	170	240	500	1790	2620	o.r.
1SQ7 504-4NA10-0CA0	6450	950	1005	1705	1320	315	160	240	500	1790	2180	o.r.
1SQ7 504-4NA10-0CC0	6500	950	1005	1705	1320	560	170	240	500	1790	2620	o.r.
1SQ7 507-4NA10-0AA0	6950	950	1005	1705	1500	315	160	240	500	1790	2390	o.r.
1SQ7 507-4NA10-0AC0	7000	950	1005	1705	1500	560	170	240	500	1790	2830	o.r.
1SQ7 507-4NA10-0CA0	7100	950	1005	1705	1500	315	160	240	500	1790	2390	o.r.
1SQ7 507-4NA10-0CC0	7150	950	1005	1705	1500	560	170	240	500	1790	2830	o.r.



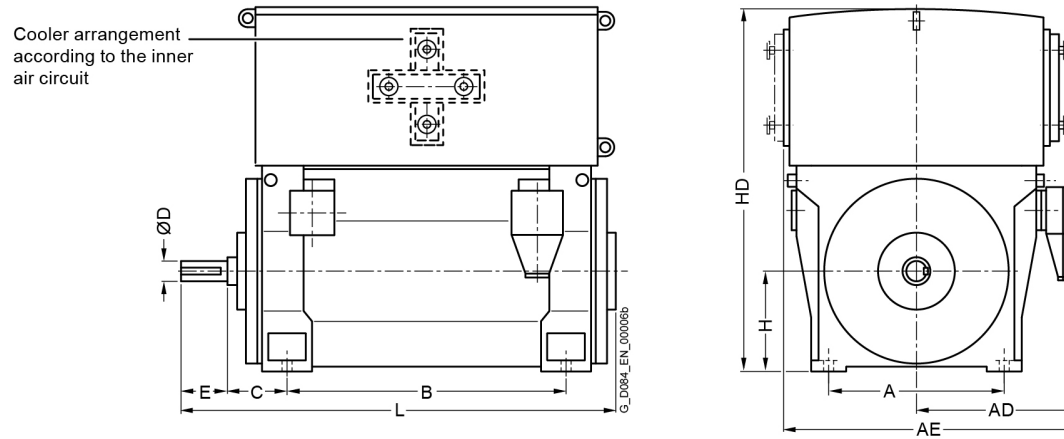
Motor type	Weight kg	Dimensions										
		A mm	AD mm	AE mm	B mm	C mm	D mm	E mm	H mm	HD mm	L mm	ML mm
Innomotics HV M - 1SQ. IC81W 6600 V / 60 Hz B3 (IM 1001) - Dimension drawings												
1SQ7 508-4NA10-0AA0	7200	950	1005	1705	1500	315	160	240	500	1790	2390	o.r.
1SQ7 508-4NA10-0AC0	7300	950	1005	1705	1500	560	170	240	500	1790	2830	o.r.
1SQ7 508-4NA10-0CA0	7400	950	1005	1705	1500	315	160	240	500	1790	2390	o.r.
1SQ7 508-4NA10-0CC0	7450	950	1005	1705	1500	560	170	240	500	1790	2830	o.r.
1SQ7 563-4NA10-0CA0	8050	1060	1290	2060	1400	335	190	280	560	1970	2390	o.r.
1SQ7 563-4NA10-0CC0	8100	1060	1290	2060	1400	600	190	280	560	1970	2850	o.r.
1SQ7 564-4NA10-0CA0	8450	1060	1290	2060	1400	335	190	280	560	1970	2390	o.r.
1SQ7 564-4NA10-0CC0	8500	1060	1290	2060	1400	600	190	280	560	1970	2850	o.r.
1SQ7 566-4NA10-0CA0	9300	1060	1290	2060	1600	335	190	280	560	1970	2620	o.r.
1SQ7 566-4NA10-0CC0	9350	1060	1290	2060	1600	600	190	280	560	1970	3080	o.r.
1SQ7 567-4NA10-0CA0	9750	1060	1290	2060	1600	335	190	280	560	1970	2620	o.r.
1SQ7 567-4NA10-0CC0	9850	1060	1290	2060	1600	600	190	280	560	1970	3080	o.r.
1SQ7 568-4NA10-0CA0	10250	1060	1290	2060	1600	335	190	280	560	1970	2620	o.r.
1SQ7 568-4NA10-0CC0	10300	1060	1290	2060	1600	600	190	280	560	1970	3080	o.r.
1SQ8 633-4NA10-0CG0	10450	1320	1520	2520	1600	375	200	280	630	2250	2610	o.r.
1SQ8 633-4NA10-0CJ0	10550	1320	1520	2520	1600	630	200	280	630	2250	3090	o.r.
1SQ8 634-4NA10-0CG0	11000	1320	1520	2520	1600	375	200	280	630	2250	2610	o.r.
1SQ8 634-4NA10-0CJ0	11150	1320	1520	2520	1600	630	200	280	630	2250	3090	o.r.
1SQ8 637-4NA10-0CG0	11950	1320	1520	2520	1800	375	200	280	630	2250	2810	o.r.
1SQ8 637-4NA10-0CJ0	12050	1320	1520	2520	1800	630	200	280	630	2250	3290	o.r.
1SQ8 638-4NA10-0CG0	12500	1320	1520	2520	1800	375	200	280	630	2250	2810	o.r.
1SQ8 638-4NA10-0CJ0	12600	1320	1520	2520	1800	630	200	280	630	2250	3290	o.r.
1SQ8 712-4NA10-0CG0	14250	1500	1620	2720	2000	375	220	280	710	2550	3010	o.r.



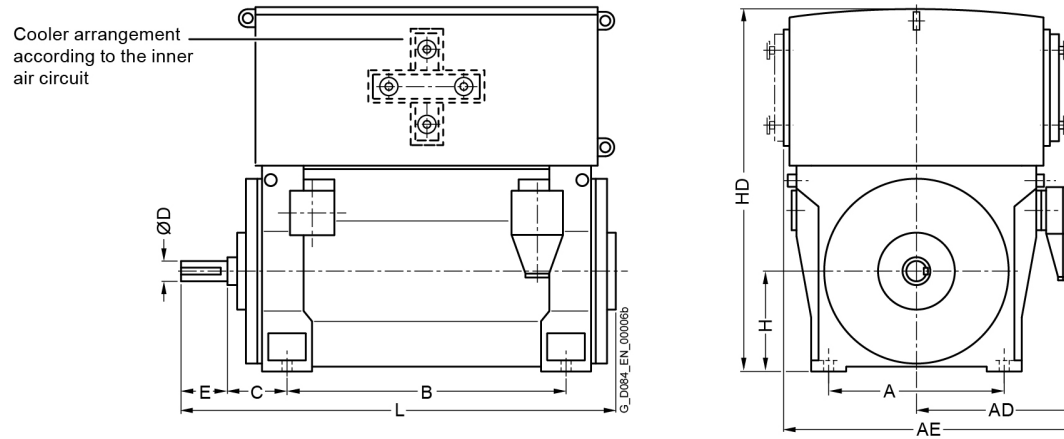
Motor type	Weight kg	Dimensions										
		A mm	AD mm	AE mm	B mm	C mm	D mm	E mm	H mm	HD mm	L mm	ML mm
Innomotics HV M - 1SQ. IC81W 6600 V / 60 Hz B3 (IM 1001) - Dimension drawings												
1SQ8 712-4NA10-0CJ0	14400	1500	1620	2720	2000	630	220	280	710	2550	3480	o.r.
1SQ8 713-4NA10-0CG0	15000	1500	1620	2720	2000	375	220	280	710	2550	3010	o.r.
1SQ8 713-4NA10-0CJ0	15100	1500	1620	2720	2000	630	220	280	710	2550	3480	o.r.
1SQ8 714-4NA10-0CG0	15750	1500	1620	2720	2000	375	220	280	710	2550	3010	o.r.
1SQ8 714-4NA10-0CJ0	15900	1500	1620	2720	2000	630	220	280	710	2550	3480	o.r.
1SQ8 717-4NA10-0CG0	17000	1500	1620	2720	2240	375	220	280	710	2460	3250	o.r.
1SQ8 717-4NA10-0CJ0	17100	1500	1620	2720	2240	630	220	280	710	2460	3720	o.r.
1SQ8 718-4NA10-0CG0	17500	1500	1620	2720	2240	375	220	280	710	2460	3250	o.r.
1SQ8 718-4NA10-0CJ0	17600	1500	1620	2720	2240	630	220	280	710	2460	3720	o.r.
6-pole												
1SQ7 452-6NA10-0AA0	4100	850	925	1545	1180	250	130	200	450	1740	1920	o.r.
1SQ7 452-6NA10-0AC0	4150	850	925	1545	1180	500	130	200	450	1740	2390	o.r.
1SQ7 453-6NA10-0AA0	4300	850	925	1545	1180	250	130	200	450	1740	1920	o.r.
1SQ7 453-6NA10-0AC0	4300	850	925	1545	1180	500	130	200	450	1740	2390	o.r.
1SQ7 453-6NA10-0CA0	4450	850	925	1545	1180	250	130	200	450	1740	1920	o.r.
1SQ7 453-6NA10-0CC0	4450	850	925	1545	1180	500	130	200	450	1740	2390	o.r.
1SQ7 454-6NA10-0AA0	4450	850	925	1545	1180	250	130	200	450	1740	1920	o.r.
1SQ7 454-6NA10-0AC0	4500	850	925	1545	1180	500	130	200	450	1740	2390	o.r.
1SQ7 454-6NA10-0CA0	4600	850	925	1545	1180	250	130	200	450	1740	1920	o.r.
1SQ7 454-6NA10-0CC0	4650	850	925	1545	1180	500	130	200	450	1740	2390	o.r.
1SQ7 457-6NA10-0AA0	4900	850	925	1545	1400	250	130	200	450	1740	2130	o.r.
1SQ7 457-6NA10-0AC0	4950	850	925	1545	1400	500	130	200	450	1740	2600	o.r.
1SQ7 457-6NA10-0CA0	5100	850	925	1545	1400	250	130	200	450	1740	2130	o.r.



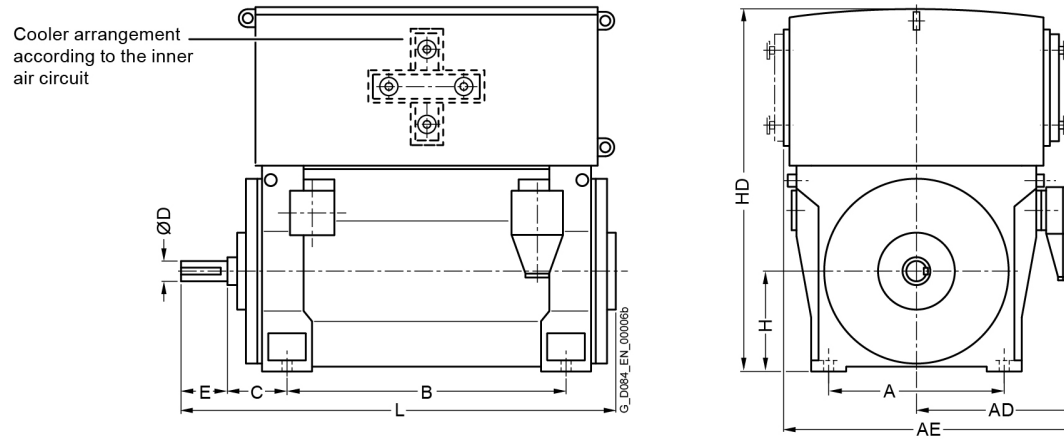
Motor type	Weight	Dimensions											
		A	AD	AE	B	C	D	E	H	HD	L	ML	
	kg	mm	mm	mm	mm	mm	mm	mm	mm	mm	mm	mm	mm
Innomotics HV M - 1SQ. IC81W 6600 V / 60 Hz B3 (IM 1001) - Dimension drawings													
1SQ7 457-6NA10-0CC0	5150	850	925	1545	1400	500	130	200	450	1740	2600	o.r.	
1SQ7 458-6NA10-0AA0	5200	850	925	1545	1400	250	130	200	450	1740	2130	o.r.	
1SQ7 458-6NA10-0AC0	5200	850	925	1545	1400	500	130	200	450	1740	2600	o.r.	
1SQ7 458-6NA10-0CA0	5400	850	925	1545	1400	250	130	200	450	1740	2130	o.r.	
1SQ7 458-6NA10-0CC0	5400	850	925	1545	1400	500	130	200	450	1740	2600	o.r.	
1SQ7 503-6NA10-0AA0	6150	950	1005	1705	1320	315	160	240	500	1910	2180	o.r.	
1SQ7 503-6NA10-0AC0	6200	950	1005	1705	1320	560	170	240	500	1910	2620	o.r.	
1SQ7 503-6NA10-0CA0	6400	950	1005	1705	1320	315	160	240	500	1910	2180	o.r.	
1SQ7 503-6NA10-0CC0	6450	950	1005	1705	1320	560	170	240	500	1910	2620	o.r.	
1SQ7 504-6NA10-0AA0	6450	950	1005	1705	1320	315	160	240	500	1910	2180	o.r.	
1SQ7 504-6NA10-0AC0	6500	950	1005	1705	1320	560	170	240	500	1910	2620	o.r.	
1SQ7 504-6NA10-0CA0	6650	950	1005	1705	1320	315	160	240	500	1910	2180	o.r.	
1SQ7 504-6NA10-0CC0	6750	950	1005	1705	1320	560	170	240	500	1910	2620	o.r.	
1SQ7 507-6NA10-0AA0	7150	950	1005	1705	1500	315	160	240	500	1910	2390	o.r.	
1SQ7 507-6NA10-0AC0	7200	950	1005	1705	1500	560	170	240	500	1910	2830	o.r.	
1SQ7 507-6NA10-0CA0	7400	950	1005	1705	1500	315	160	240	500	1910	2390	o.r.	
1SQ7 507-6NA10-0CC0	7450	950	1005	1705	1500	560	170	240	500	1910	2830	o.r.	
1SQ7 508-6NA10-0CA0	7700	950	1005	1705	1500	315	160	240	500	1910	2390	o.r.	
1SQ7 508-6NA10-0CC0	7750	950	1005	1705	1500	560	170	240	500	1910	2830	o.r.	
1SQ7 508-6NA10-0AA0	7450	950	1005	1705	1500	315	160	240	500	1910	2390	o.r.	
1SQ7 508-6NA10-0AC0	7500	950	1005	1705	1500	560	170	240	500	1910	2830	o.r.	
1SQ7 562-6NA10-0CA0	8350	1060	1290	2060	1400	335	190	280	560	2110	2390	o.r.	
1SQ7 562-6NA10-0CC0	8450	1060	1290	2060	1400	600	190	280	560	2110	2850	o.r.	



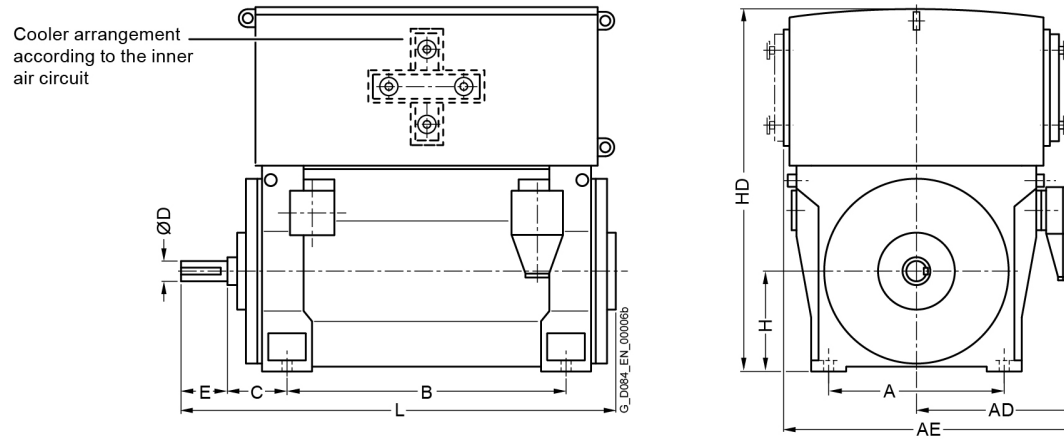
Motor type	Weight	Dimensions												
		A	AD	AE	B	C	D	E	H	HD	L	ML		
	kg	mm	mm	mm	mm	mm	mm	mm	mm	mm	mm	mm	mm	
Innomotics HV M - 1SQ. IC81W 6600 V / 60 Hz B3 (IM 1001) - Dimension drawings														
1SQ7 562-6NA10-0HA0	8350	1060	1290	2060	1400	335	190	280	560	2110	2390	o.r.		
1SQ7 562-6NA10-0HC0	8400	1060	1290	2060	1400	600	190	280	560	2110	2850	o.r.		
1SQ7 567-6NA10-0CA0	9850	1060	1290	2060	1600	335	190	280	560	2110	2620	o.r.		
1SQ7 567-6NA10-0CC0	9900	1060	1290	2060	1600	600	190	280	560	2110	3080	o.r.		
1SQ7 568-6NA10-0CA0	10450	1060	1290	2060	1600	335	190	280	560	2110	2620	o.r.		
1SQ7 568-6NA10-0CC0	10550	1060	1290	2060	1600	600	190	280	560	2110	3080	o.r.		
1SQ8 632-6NA10-0CG0	10450	1320	1520	2520	1600	375	200	280	630	2250	2610	o.r.		
1SQ8 632-6NA10-0CJ0	10550	1320	1520	2520	1600	630	200	280	630	2250	3090	o.r.		
1SQ8 633-6NA10-0CG0	10950	1320	1520	2520	1600	375	200	280	630	2250	2610	o.r.		
1SQ8 633-6NA10-0CJ0	11050	1320	1520	2520	1600	630	200	280	630	2250	3090	o.r.		
1SQ8 634-6NA10-0CG0	11400	1320	1520	2520	1600	375	200	280	630	2250	2610	o.r.		
1SQ8 634-6NA10-0CJ0	11550	1320	1520	2520	1600	630	200	280	630	2250	3090	o.r.		
1SQ8 637-6NA10-0CG0	12250	1320	1520	2520	1800	375	200	280	630	2250	2810	o.r.		
1SQ8 637-6NA10-0CJ0	12350	1320	1520	2520	1800	630	200	280	630	2250	3290	o.r.		
1SQ8 638-6NA10-0CG0	12750	1320	1520	2520	1800	375	200	280	630	2250	2810	o.r.		
1SQ8 638-6NA10-0CJ0	12850	1320	1520	2520	1800	630	200	280	630	2250	3290	o.r.		
1SQ8 712-6NA10-0CG0	14150	1500	1620	2720	2000	375	220	280	710	2550	3010	o.r.		
1SQ8 712-6NA10-0CJ0	14300	1500	1620	2720	2000	630	220	280	710	2550	3480	o.r.		
1SQ8 713-6NA10-0CG0	15100	1500	1620	2720	2000	375	220	280	710	2550	3010	o.r.		
1SQ8 713-6NA10-0CJ0	15250	1500	1620	2720	2000	630	220	280	710	2550	3480	o.r.		
1SQ8 714-6NA10-0CG0	16100	1500	1620	2720	2000	375	220	280	710	2550	3010	o.r.		
1SQ8 714-6NA10-0CJ0	16250	1500	1620	2720	2000	630	220	280	710	2550	3480	o.r.		
1SQ8 717-6NA10-0CG0	17600	1500	1620	2720	2240	375	220	280	710	2460	3250	o.r.		



Motor type	Weight	Dimensions											
		A	AD	AE	B	C	D	E	H	HD	L	ML	
	kg	mm	mm	mm	mm	mm	mm	mm	mm	mm	mm	mm	mm
Innomotics HV M - 1SQ. IC81W 6600 V / 60 Hz B3 (IM 1001) - Dimension drawings													
1SQ8 717-6NA10-0CJ0	17750	1500	1620	2720	2240	630	220	280	710	2460	3720	o.r.	
1SQ8 718-6NA10-0CG0	18550	1500	1620	2720	2240	375	220	280	710	2460	3250	o.r.	
1SQ8 718-6NA10-0CJ0	18700	1500	1620	2720	2240	630	220	280	710	2460	3720	o.r.	
8-pole													
1SQ7 452-8NA10-0AA0	4250	850	925	1545	1180	250	130	200	450	1740	1920	o.r.	
1SQ7 452-8NA10-0AC0	4300	850	925	1545	1180	500	130	200	450	1740	2390	o.r.	
1SQ7 452-8NA10-0CA0	4400	850	925	1545	1180	250	130	200	450	1740	1920	o.r.	
1SQ7 452-8NA10-0CC0	4450	850	925	1545	1180	500	130	200	450	1740	2390	o.r.	
1SQ7 453-8NA10-0AA0	4450	850	925	1545	1180	250	130	200	450	1740	1920	o.r.	
1SQ7 453-8NA10-0AC0	4500	850	925	1545	1180	500	130	200	450	1740	2390	o.r.	
1SQ7 453-8NA10-0CA0	4600	850	925	1545	1180	250	130	200	450	1740	1920	o.r.	
1SQ7 453-8NA10-0CC0	4650	850	925	1545	1180	500	130	200	450	1740	2390	o.r.	
1SQ7 454-8NA10-0AA0	4650	850	925	1545	1180	250	130	200	450	1740	1920	o.r.	
1SQ7 454-8NA10-0AC0	4700	850	925	1545	1180	500	130	200	450	1740	2390	o.r.	
1SQ7 454-8NA10-0CA0	4850	850	925	1545	1180	250	130	200	450	1740	1920	o.r.	
1SQ7 454-8NA10-0CC0	4850	850	925	1545	1180	500	130	200	450	1740	2390	o.r.	
1SQ7 457-8NA10-0AA0	5200	850	925	1545	1400	250	130	200	450	1740	2130	o.r.	
1SQ7 457-8NA10-0AC0	5200	850	925	1545	1400	500	130	200	450	1740	2600	o.r.	
1SQ7 457-8NA10-0CA0	5350	850	925	1545	1400	250	130	200	450	1740	2130	o.r.	
1SQ7 457-8NA10-0CC0	5400	850	925	1545	1400	500	130	200	450	1740	2600	o.r.	
1SQ7 458-8NA10-0AA0	5450	850	925	1545	1400	250	130	200	450	1740	2130	o.r.	
1SQ7 458-8NA10-0AC0	5500	850	925	1545	1400	500	130	200	450	1740	2600	o.r.	
1SQ7 458-8NA10-0CA0	5650	850	925	1545	1400	250	130	200	450	1740	2130	o.r.	



Motor type	Weight kg	Dimensions										
		A mm	AD mm	AE mm	B mm	C mm	D mm	E mm	H mm	HD mm	L mm	ML mm
Innomotics HV M - 1SQ. IC81W 6600 V / 60 Hz B3 (IM 1001) - Dimension drawings												
1SQ7 458-8NA10-OCC0	5700	850	925	1545	1400	500	130	200	450	1740	2600	o.r.
1SQ7 502-8NA10-OCA0	6050	950	1005	1705	1320	315	160	240	500	1910	2180	o.r.
1SQ7 502-8NA10-OCC0	6100	950	1005	1705	1320	560	170	240	500	1910	2620	o.r.
1SQ7 503-8NA10-OAA0	6150	950	1005	1705	1320	315	160	240	500	1910	2180	o.r.
1SQ7 503-8NA10-OAC0	6250	950	1005	1705	1320	560	170	240	500	1910	2620	o.r.
1SQ7 503-8NA10-OCA0	6400	950	1005	1705	1320	315	160	240	500	1910	2180	o.r.
1SQ7 503-8NA10-OCC0	6450	950	1005	1705	1320	560	170	240	500	1910	2620	o.r.
1SQ7 504-8NA10-OAA0	6450	950	1005	1705	1320	315	160	240	500	1910	2180	o.r.
1SQ7 504-8NA10-OAC0	6550	950	1005	1705	1320	560	170	240	500	1910	2620	o.r.
1SQ7 504-8NA10-OCA0	6700	950	1005	1705	1320	315	160	240	500	1910	2180	o.r.
1SQ7 504-8NA10-OCC0	6750	950	1005	1705	1320	560	170	240	500	1910	2620	o.r.
1SQ7 507-8NA10-OAA0	7150	950	1005	1705	1500	315	160	240	500	1910	2390	o.r.
1SQ7 507-8NA10-OAC0	7200	950	1005	1705	1500	560	170	240	500	1910	2830	o.r.
1SQ7 507-8NA10-OCA0	7400	950	1005	1705	1500	315	160	240	500	1910	2390	o.r.
1SQ7 507-8NA10-OCC0	7450	950	1005	1705	1500	560	170	240	500	1910	2830	o.r.
1SQ7 508-8NA10-OAA0	7450	950	1005	1705	1500	315	160	240	500	1910	2390	o.r.
1SQ7 508-8NA10-OAC0	7500	950	1005	1705	1500	560	170	240	500	1910	2830	o.r.
1SQ7 508-8NA10-OCA0	7700	950	1005	1705	1500	315	160	240	500	1910	2390	o.r.
1SQ7 508-8NA10-OCC0	7800	950	1005	1705	1500	560	170	240	500	1910	2830	o.r.
1SQ7 563-8NA10-OCA0	8400	1060	1075	1845	1400	335	190	280	560	2110	2390	o.r.
1SQ7 563-8NA10-OCC0	8450	1060	1075	1845	1400	600	190	280	560	2110	2850	o.r.
1SQ7 564-8NA10-OCA0	8850	1060	1075	1845	1400	335	190	280	560	2110	2390	o.r.
1SQ7 564-8NA10-OCC0	8900	1060	1075	1845	1400	600	190	280	560	2110	2850	o.r.



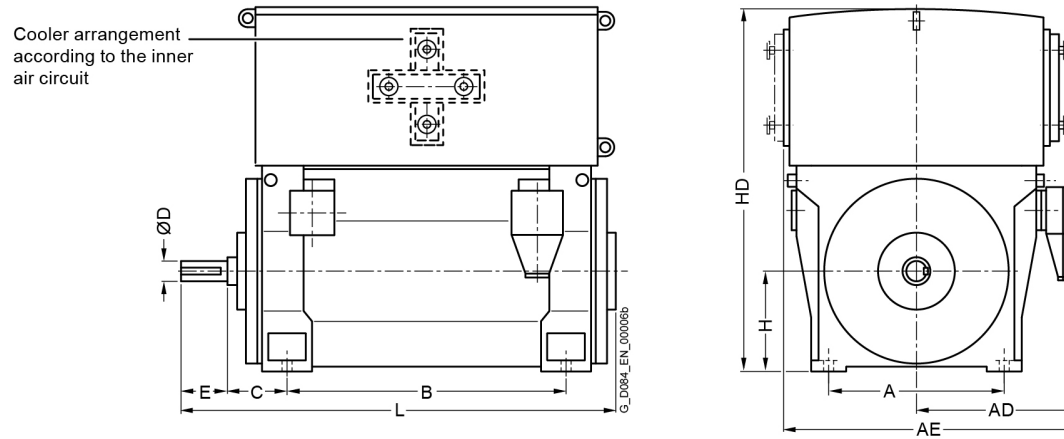
Motor type	Weight kg	Dimensions										
		A mm	AD mm	AE mm	B mm	C mm	D mm	E mm	H mm	HD mm	L mm	ML mm
Innomotics HV M - 1SQ. IC81W 6600 V / 60 Hz B3 (IM 1001) - Dimension drawings												
1SQ7 567-8NA10-0CA0	9700	1060	1075	1845	1600	335	190	280	560	2110	2620	o.r.
1SQ7 567-8NA10-0CC0	9800	1060	1075	1845	1600	600	190	280	560	2110	3080	o.r.
1SQ7 568-8NA10-0CA0	10200	1060	1075	1845	1600	335	190	280	560	2110	2620	o.r.
1SQ7 568-8NA10-0CC0	10300	1060	1075	1845	1600	600	190	280	560	2110	3080	o.r.
1SQ8 633-8NA10-0CG0	9800	1320	1520	2520	1600	375	200	280	630	2380	2610	o.r.
1SQ8 633-8NA10-0CJ0	9900	1320	1520	2520	1600	630	200	280	630	2380	3090	o.r.
1SQ8 634-8NA10-0CG0	10550	1320	1520	2520	1600	375	200	280	630	2380	2610	o.r.
1SQ8 634-8NA10-0CJ0	10650	1320	1520	2520	1600	630	200	280	630	2380	3090	o.r.
1SQ8 637-8NA10-0CG0	11750	1320	1520	2520	1800	375	200	280	630	2380	2810	o.r.
1SQ8 637-8NA10-0CJ0	11850	1320	1520	2520	1800	630	200	280	630	2380	3290	o.r.
1SQ8 638-8NA10-0CG0	12450	1320	1520	2520	1800	375	200	280	630	2380	2810	o.r.
1SQ8 638-8NA10-0CJ0	12550	1320	1520	2520	1800	630	200	280	630	2380	3290	o.r.
1SQ8 712-8NA10-0CG0	13600	1500	1620	2720	2000	375	220	280	710	2550	3010	o.r.
1SQ8 712-8NA10-0CJ0	13800	1500	1620	2720	2000	630	220	280	710	2550	3480	o.r.
1SQ8 713-8NA10-0CG0	14450	1500	1620	2720	2000	375	220	280	710	2550	3010	o.r.
1SQ8 713-8NA10-0CJ0	14650	1500	1620	2720	2000	630	220	280	710	2550	3480	o.r.
1SQ8 714-8NA10-0CG0	15650	1500	1620	2720	2000	375	220	280	710	2550	3010	o.r.
1SQ8 714-8NA10-0CJ0	15850	1500	1620	2720	2000	630	220	280	710	2550	3480	o.r.
1SQ8 717-8NA10-0CG0	17300	1500	1620	2720	2240	375	220	280	710	2460	3250	o.r.
1SQ8 717-8NA10-0CJ0	17500	1500	1620	2720	2240	630	220	280	710	2460	3720	o.r.
1SQ8 718-8NA10-0CG0	18300	1500	1620	2720	2240	375	220	280	710	2460	3250	o.r.
1SQ8 718-8NA10-0CJ0	18500	1500	1620	2720	2240	630	220	280	710	2460	3720	o.r.

Innomotics HV M - 1SQ. IC81W 10000 V / 50 Hz B3 (IM 1001)																		
Rated power IEC kW	Article No.	Speed	Rated current	Efficiency				Power factor				Torque	Breakdown torque	Locked rotor torque	Locked rotor current	Inertia		
		rpm	I _R A	5/4 load %	4/4 load %	3/4 load %	2/4 load %	5/4 load cos φ	4/4 load cos φ	3/4 load cos φ	2/4 load cos φ	T _R Nm	T _B / T _R [-]	T _{LR} / T _R [-]	I _{LR} / I _R [-]	motor kgm ²	external kgm ²	Startup max T/TR [-]
2-pole: n_{sync} = 3000 rpm at 50 Hz																		
1500	1SQ7 453-2NA80-0A.2	2976	102	95.1	96.0	96.3	96.2	0.87	0.89	0.89	0.85	4814	2.20	0.50	5.0	10	60	o.r.
1530	1SQ7 453-2NA80-0C.0	2976	102	95.1	95.9	96.4	96.3	0.87	0.90	0.89	0.87	4910	2.10	0.55	4.7	14	80	o.r.
1680	1SQ7 454-2NA80-0A.2	2977	114	95.5	96.1	96.4	96.1	0.88	0.89	0.88	0.83	5391	2.25	0.50	5.2	11	60	o.r.
1720	1SQ7 454-2NA80-0C.2	2977	114	95.5	96.1	96.4	96.2	0.88	0.90	0.89	0.86	5519	2.15	0.55	5.0	15	100	o.r.
1870	1SQ7 457-2NA80-0A.2	2977	126	95.5	96.2	96.6	96.4	0.87	0.89	0.89	0.85	6000	2.25	0.55	5.3	12	70	o.r.
1910	1SQ7 457-2NA80-0C.2	2977	128	95.5	96.2	96.6	96.4	0.88	0.90	0.90	0.87	6133	2.15	0.55	5.0	16	120	o.r.
2050	1SQ7 458-2NA80-0A.2	2978	136	95.8	96.4	96.7	96.5	0.88	0.90	0.90	0.86	6580	2.35	0.55	5.4	13	75	o.r.
2100	1SQ7 458-2NA80-0C.2	2978	140	95.8	96.4	96.8	96.6	0.89	0.90	0.90	0.88	6739	2.30	0.55	5.0	18	135	o.r.
2240	1SQ7 503-2NA80-0A.0	2965	150	95.5	96.3	96.8	97.0	0.87	0.89	0.89	0.87	7221	2.10	0.50	4.1	15	58	o.r.
2240	1SQ7 503-2NA80-0C.0	2973	150	95.8	96.4	97.0	97.1	0.87	0.89	0.90	0.88	7198	2.05	0.55	4.0	20	154	o.r.
2450	1SQ7 504-2NA80-0A.0	2968	166	95.7	96.3	96.8	96.9	0.88	0.89	0.89	0.86	7886	2.30	0.55	4.5	15	62	o.r.
2550	1SQ7 504-2NA80-0C.2	2973	172	95.8	96.5	96.9	96.9	0.88	0.89	0.90	0.87	8198	2.15	0.60	4.2	21	138	o.r.
2670	1SQ7 507-2NA80-0A.2	2973	178	96.0	96.6	96.9	96.9	0.89	0.90	0.90	0.86	8580	2.50	0.50	5.0	18	82	o.r.
2800	1SQ7 507-2NA80-0C.2	2977	186	96.2	96.7	97.0	97.0	0.89	0.90	0.90	0.87	8989	2.35	0.55	4.7	24	158	o.r.
3000	1SQ7 508-2NA80-0A.2	2974	198	96.3	96.8	97.1	97.1	0.90	0.90	0.90	0.86	9635	2.60	0.55	5.3	20	94	o.r.
3150	1SQ7 508-2NA80-0C.2	2978	205	96.4	96.9	97.2	97.2	0.90	0.91	0.91	0.87	10106	2.40	0.55	4.9	27	168	o.r.
3800	1SQ7 562-2NA80-0CC2	2981	250	96.4	96.6	96.8	96.5	0.90	0.90	0.90	0.86	12181	2.30	0.60	5.2	41	210	o.r.
4150	1SQ7 563-2NA80-0CC2	2980	275	96.4	96.7	97.0	96.8	0.88	0.90	0.90	0.87	13304	2.05	0.50	4.6	44	245	o.r.
4750	1SQ7 564-2NA80-0CC2	2982	310	96.6	96.8	97.0	96.7	0.90	0.91	0.90	0.87	15222	2.30	0.60	5.3	47	250	o.r.
5150	1SQ7 567-2NA80-0CC2	2982	335	96.8	97.0	97.2	97.0	0.90	0.91	0.91	0.88	16506	2.30	0.60	5.2	52	285	o.r.
5700	1SQ7 568-2NA80-0CC2	2984	370	97.0	97.2	97.3	97.0	0.92	0.92	0.91	0.88	18252	2.50	0.60	5.8	58	315	o.r.
6000	1SQ8 632-2NA80-0CJ0	2980	405	96.4	96.9	96.9	96.4	0.85	0.88	0.88	0.87	19227	1.90	0.50	4.5	75	250	o.r.
6750	1SQ8 633-2NA80-0CJ0	2980	455	96.5	97.1	97.1	96.7	0.85	0.88	0.89	0.88	21630	1.90	0.50	4.5	82	240	o.r.
7550	1SQ8 634-2NA80-0CJ0	2980	510	96.6	97.1	97.2	96.8	0.85	0.88	0.89	0.89	24194	1.90	0.50	4.5	90	230	o.r.
8050	1SQ8 637-2NA80-0CJ0	2983	530	96.9	97.3	97.2	96.9	0.89	0.90	0.91	0.90	25770	2.25	0.55	5.3	99	260	o.r.
8850	1SQ8 638-2NA80-0CJ0	2983	580	97.0	97.4	97.4	97.1	0.89	0.91	0.91	0.91	28331	2.25	0.55	5.3	108	260	o.r.
9050	1SQ8 712-2NA80-0CJ0	2983	610	96.5	96.9	96.9	96.5	0.83	0.88	0.89	0.89	28971	1.75	0.40	4.0	149	210	o.r.
10250	1SQ8 713-2NA80-0CJ0	2984	680	96.8	97.2	97.1	96.7	0.86	0.90	0.90	0.89	32802	1.90	0.50	4.4	160	190	o.r.
11500	1SQ8 714-2NA80-0CJ0	2984	760	97.0	97.3	97.3	96.8	0.86	0.90	0.90	0.89	36802	1.90	0.50	4.4	173	170	o.r.
12000	1SQ8 716-2NA80-0CJ0	2986	780	97.1	97.3	97.3	96.8	0.88	0.91	0.91	0.90	38376	2.10	0.45	4.8	186	200	o.r.
13600	1SQ8 717-2NA80-0CJ0	2986	880	97.2	97.5	97.4	97.0	0.89	0.91	0.91	0.90	43493	2.15	0.60	5.1	202	160	o.r.
14800	1SQ8 718-2NA80-0CJ0	2987	950	97.4	97.6	97.6	97.1	0.90	0.92	0.92	0.90	47315	2.35	0.65	5.6	219	160	o.r.
4-pole: n_{sync} = 1500 rpm at 50 Hz																		
1420	1SQ7 453-4NA80-0A.0	1482	97	94.8	95.7	96.1	96.2	0.87	0.88	0.87	0.81	9155	2.35	0.65	5.3	17	290	o.r.
1470	1SQ7 453-4NA80-0C.0	1485	100	95.0	95.9	96.3	96.5	0.87	0.88	0.87	0.83	9460	2.10	0.50	4.8	23	325	o.r.
1560	1SQ7 454-4NA80-0A.0	1482	106	95.0	95.8	96.3	96.4	0.88	0.89	0.87	0.83	10058	2.40	0.65	5.4	19	320	o.r.

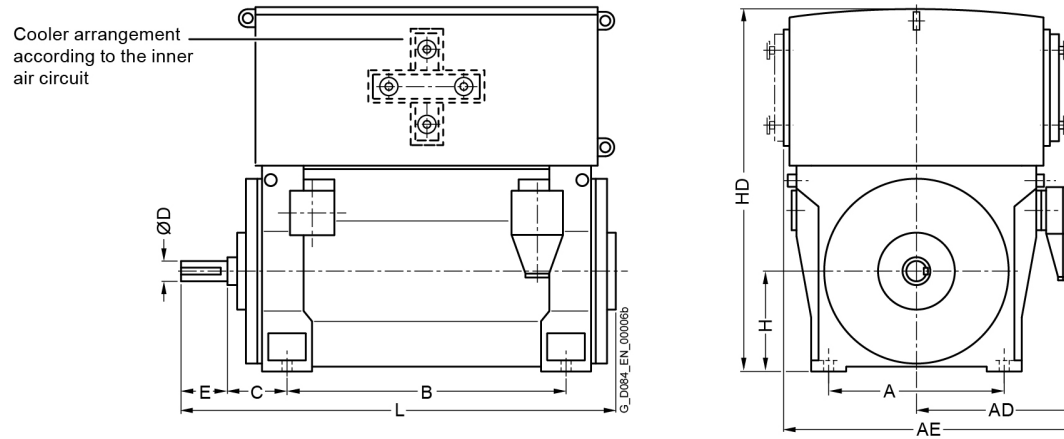
Innomotics HV M - 1SQ. IC81W 10000 V / 50 Hz B3 (IM 1001)																		
Rated power IEC	Article No.	Speed	Rated current I_R	Efficiency				Power factor				Torque T_R	Breakdown torque T_B/ T_R	Locked torque T_{LR}/ T_R	Locked rotor current I_{LR}/ I_R	Inertia		
				5/4 load	4/4 load	3/4 load	2/4 load	5/4 load	4/4 load	3/4 load	2/4 load					motor	external	Startup max T/TR
kW		rpm	A	%	%	%	%	$\cos \varphi$	$\cos \varphi$	$\cos \varphi$	$\cos \varphi$	Nm	[-]	[-]	[-]	kgm ²	kgm ²	[-]
1600	1SQ7 454-4NA80-0C.2	1486	108	95.3	96.2	96.5	96.6	0.87	0.89	0.88	0.84	10292	2.20	0.50	5.0	26	405	o.r.
1900	1SQ7 457-4NA80-0C.2	1487	128	95.7	96.4	96.7	96.7	0.88	0.89	0.88	0.83	12205	2.40	0.55	5.2	30	525	o.r.
1820	1SQ7 457-4NA80-0A.0	1483	122	95.4	96.2	96.5	96.7	0.89	0.89	0.88	0.83	11724	2.45	0.70	5.8	22	390	o.r.
1970	1SQ7 458-4NA80-0A.2	1485	132	95.7	96.3	96.6	96.6	0.89	0.89	0.87	0.81	12678	2.75	0.80	6.0	24	455	o.r.
2060	1SQ7 458-4NA80-0C.2	1488	138	95.9	96.5	96.8	96.8	0.89	0.89	0.88	0.83	13230	2.50	0.60	5.3	33	620	o.r.
2220	1SQ7 503-4NA80-0A.2	1486	150	95.8	96.5	97.0	97.1	0.88	0.89	0.88	0.85	14275	2.25	0.80	5.0	37	625	o.r.
2240	1SQ7 503-4NA80-0C.0	1487	148	95.8	96.5	97.0	97.0	0.88	0.90	0.89	0.86	14402	2.20	0.60	4.6	45	645	o.r.
2500	1SQ7 504-4NA80-0C.2	1488	168	96.0	96.6	97.1	97.0	0.88	0.89	0.88	0.85	16064	2.20	0.55	4.6	50	630	o.r.
2450	1SQ7 504-4NA80-0A.2	1486	164	95.8	96.6	97.1	97.2	0.87	0.89	0.89	0.86	15757	2.25	0.75	5.0	40	675	o.r.
2870	1SQ7 507-4NA80-0C.2	1489	192	96.3	96.8	97.1	97.0	0.88	0.89	0.87	0.82	18423	2.35	0.55	4.8	56	875	o.r.
2610	1SQ7 507-4NA80-0A.2	1486	174	95.9	96.6	97.1	97.2	0.89	0.90	0.90	0.87	16784	2.30	0.85	5.2	46	755	o.r.
3150	1SQ7 508-4NA80-0C.2	1490	210	96.5	97.0	97.3	97.1	0.89	0.90	0.88	0.84	20209	2.60	0.70	5.4	62	905	o.r.
2950	1SQ7 508-4NA80-0A.2	1486	196	96.1	96.8	97.2	97.3	0.88	0.90	0.90	0.87	18968	2.35	0.85	5.3	50	815	o.r.
3550	1SQ7 563-4NA80-0C.2	1489	238	96.3	96.9	97.3	97.3	0.87	0.89	0.88	0.85	22783	2.05	0.65	5.0	80	725	o.r.
4150	1SQ7 564-4NA80-0C.2	1490	278	96.6	97.0	97.4	97.3	0.87	0.89	0.87	0.84	26609	2.20	0.60	5.3	90	835	o.r.
4700	1SQ7 566-4NA80-0C.2	1490	314	96.8	97.2	97.5	97.4	0.88	0.89	0.88	0.84	30131	2.25	0.60	5.4	100	885	o.r.
5100	1SQ7 567-4NA80-0C.2	1491	340	96.8	97.2	97.6	97.5	0.89	0.89	0.89	0.86	32693	2.30	0.70	5.5	110	935	o.r.
5600	1SQ7 568-4NA80-0C.2	1490	369	96.9	97.3	97.7	97.7	0.89	0.90	0.90	0.87	35911	2.20	0.65	5.3	119	940	o.r.
6000	1SQ8 633-4NA80-0C.0	1490	400	96.7	97.2	97.4	97.3	0.87	0.89	0.88	0.84	38454	2.10	0.50	5.0	151	710	o.r.
6800	1SQ8 634-4NA80-0C.0	1490	455	96.8	97.3	97.6	97.5	0.87	0.89	0.89	0.86	43581	2.10	0.50	5.0	166	740	o.r.
7700	1SQ8 637-4NA80-0C.0	1490	510	97.0	97.4	97.6	97.5	0.87	0.89	0.88	0.85	49349	2.15	0.50	5.2	182	770	o.r.
8550	1SQ8 638-4NA80-0C.0	1490	570	97.1	97.5	97.7	97.6	0.88	0.89	0.89	0.85	54796	2.25	0.55	5.5	198	810	o.r.
8900	1SQ8 712-4NA80-0C.0	1491	590	97.0	97.5	97.7	97.5	0.87	0.89	0.89	0.86	57001	2.20	0.45	5.2	259	800	o.r.
9850	1SQ8 713-4NA80-0C.0	1491	660	97.1	97.5	97.7	97.6	0.87	0.89	0.89	0.86	63086	2.20	0.45	5.2	284	840	o.r.
10500	1SQ8 714-4NA80-0C.0	1492	690	97.2	97.6	97.8	97.7	0.89	0.90	0.90	0.87	67203	2.45	0.55	2.9	312	970	o.r.
11600	1SQ8 717-4NA80-0C.0	1492	750	97.3	97.7	97.9	97.7	0.90	0.91	0.90	0.87	74244	2.55	0.60	6.0	346	1070	o.r.
12500	1SQ8 718-4NA80-0C.2	1492	810	97.4	97.7	97.9	97.7	0.90	0.91	0.90	0.86	80004	2.60	0.60	6.0	365	1080	o.r.
6-pole: n_{sync} = 1000 rpm at 50 Hz																		
1000	1SQ7 452-6NA80-0A.0	990	72	94.3	95.2	95.6	95.6	0.83	0.84	0.80	0.70	9655	2.35	0.70	5.2	20	495	o.r.
1020	1SQ7 452-6NA80-0C.0	989	73	94.2	95.1	95.6	95.8	0.84	0.85	0.82	0.74	9850	2.30	0.60	4.9	27	645	o.r.
1120	1SQ7 453-6NA80-0A.0	990	81	94.4	95.3	95.7	95.8	0.84	0.84	0.80	0.71	10816	2.30	0.70	5.1	22	535	o.r.
1150	1SQ7 453-6NA80-0C.0	989	82	94.3	95.2	95.8	95.9	0.84	0.85	0.83	0.75	11108	2.25	0.60	4.8	30	680	o.r.
1250	1SQ7 454-6NA80-0A.0	990	89	94.6	95.4	95.9	96.0	0.84	0.85	0.81	0.72	12073	2.35	0.70	5.2	24	595	o.r.
1270	1SQ7 454-6NA80-0C.0	989	90	94.5	95.4	95.9	96.1	0.84	0.85	0.83	0.76	12264	2.30	0.60	4.9	33	770	o.r.
1360	1SQ7 457-6NA80-0A.0	990	97	94.8	95.6	96.0	96.1	0.85	0.85	0.82	0.73	13128	2.40	0.80	5.3	28	655	o.r.
1400	1SQ7 457-6NA80-0C.0	990	98	94.7	95.6	96.1	96.2	0.85	0.86	0.84	0.76	13520	2.30	0.65	5.0	36	840	o.r.
1480	1SQ7 458-6NA80-0A.0	991	104	95.1	95.8	96.2	96.2	0.85	0.86	0.82	0.73	14277	2.50	0.80	5.5	31	785	o.r.

Innomotics HV M - 1SQ. IC81W 10000 V / 50 Hz B3 (IM 1001)																			
Rated power IEC	Article No.	Speed	Rated current		Efficiency				Power factor				Torque T_R	Breakdown torque T_B/ T_R	Locked torque T_{LR}/ T_R	rotor Locked current I_{LR}/ I_R	Inertia		
			I_R	I_R	5/4 load	4/4 load	3/4 load	2/4 load	5/4 load	4/4 load	3/4 load	2/4 load					motor	external	Startup max T/TR
kW		rpm	A	A	%	%	%	%	$\cos \varphi$	$\cos \varphi$	$\cos \varphi$	$\cos \varphi$	Nm	[-]	[-]	[-]	kgm ²	kgm ²	[-]
1520	1SQ7 458-6NA80-0C.0	990	106	106	95.0	95.8	96.2	96.3	0.86	0.86	0.84	0.77	14669	2.45	0.65	5.1	41	950	o.r.
1670	1SQ7 502-6NA80-0C.2	992	112	112	95.4	96.2	96.6	96.7	0.84	0.86	0.84	0.78	16101	2.15	0.65	4.4	54	1290	o.r.
1600	1SQ7 502-6NA80-0A.0	991	112	112	95.1	96.0	96.5	96.6	0.85	0.86	0.85	0.78	15434	2.15	0.85	4.6	42	800	o.r.
1950	1SQ7 503-6NA80-0C.2	992	126	126	95.7	96.3	96.7	96.7	0.85	0.86	0.83	0.75	18785	2.30	0.80	4.7	60	1240	o.r.
1800	1SQ7 503-6NA80-0A.0	991	126	126	95.3	96.1	96.6	96.7	0.85	0.86	0.85	0.78	17362	2.15	0.90	4.7	46	840	o.r.
2130	1SQ7 504-6NA80-0C.2	992	138	138	95.9	96.5	96.8	96.8	0.85	0.86	0.82	0.74	20512	2.40	0.80	4.8	66	1640	o.r.
1970	1SQ7 504-6NA80-0A.2	991	138	138	95.5	96.2	96.7	96.7	0.86	0.86	0.84	0.76	19002	2.30	1.00	5.0	51	980	o.r.
2300	1SQ7 507-6NA80-0C.2	992	156	156	96.0	96.6	96.9	96.8	0.86	0.86	0.83	0.75	22136	2.45	0.80	5.0	74	1580	o.r.
2220	1SQ7 507-6NA80-0A.2	991	138	138	95.7	96.4	96.9	97.0	0.86	0.86	0.85	0.79	21411	2.25	0.90	4.9	58	1360	o.r.
2370	1SQ7 508-6NA80-0A.2	991	156	156	96.0	96.5	96.9	97.0	0.86	0.86	0.84	0.76	22847	2.45	0.95	5.4	63	1800	o.r.
2500	1SQ7 508-6NA80-0C.2	992	174	174	96.2	96.7	97.0	97.0	0.86	0.86	0.84	0.77	24060	2.45	0.85	5.1	81	1990	o.r.
3000	1SQ7 562-6NA80-0C.2	992	210	210	95.9	96.5	96.7	96.7	0.85	0.86	0.84	0.80	28896	2.00	0.60	5.2	105	1935	o.r.
3250	1SQ7 563-6NA80-0C.2	992	225	225	96.0	96.5	96.8	96.8	0.85	0.86	0.84	0.80	31301	2.00	0.60	5.2	113	1970	o.r.
3550	1SQ7 564-6NA80-0C.2	992	245	245	96.1	96.7	96.9	96.9	0.85	0.86	0.85	0.80	34188	2.00	0.60	5.5	124	1965	o.r.
3900	1SQ7 567-6NA80-0C.2	993	270	270	96.3	96.7	97.0	97.0	0.85	0.86	0.85	0.81	37545	2.00	0.60	5.2	137	2350	o.r.
4200	1SQ7 568-6NA80-0C.2	993	290	290	96.5	96.9	97.1	97.1	0.86	0.86	0.85	0.81	40414	2.00	0.60	5.5	151	3125	o.r.
4700	1SQ8 632-6NA80-0C.0	991	325	325	96.3	96.9	97.1	97.0	0.84	0.86	0.83	0.76	45289	2.15	0.55	4.9	193	2130	o.r.
5000	1SQ8 633-6NA80-0C.2	991	345	345	96.3	96.9	97.2	97.2	0.84	0.86	0.84	0.79	48180	2.05	0.50	4.7	209	2320	o.r.
5400	1SQ8 634-6NA80-0C.0	992	370	370	96.4	97.0	97.3	97.2	0.84	0.87	0.85	0.80	51982	2.05	0.50	4.7	227	2580	o.r.
5850	1SQ8 637-6NA80-0C.0	992	400	400	96.5	97.1	97.4	97.3	0.85	0.87	0.85	0.80	56314	2.10	0.50	4.7	247	2860	o.r.
6400	1SQ8 638-6NA80-0C.0	992	435	435	96.7	97.2	97.4	97.2	0.86	0.87	0.84	0.78	61608	2.25	0.60	5.1	265	3100	o.r.
6800	1SQ8 712-6NA80-0C.0	993	465	465	96.8	97.3	97.6	97.5	0.85	0.87	0.85	0.80	65393	2.15	0.50	5.1	331	2590	o.r.
7550	1SQ8 713-6NA80-0C.0	994	510	510	97.0	97.5	97.7	97.5	0.86	0.87	0.85	0.79	72532	2.30	0.60	5.4	374	2990	o.r.
8750	1SQ8 714-6NA80-0C.0	994	600	600	97.1	97.5	97.7	97.6	0.85	0.87	0.85	0.79	84061	2.25	0.50	5.4	423	3310	o.r.
9500	1SQ8 717-6NA80-0C.0	994	640	640	97.2	97.6	97.8	97.7	0.87	0.88	0.87	0.81	91266	2.30	0.60	5.5	478	3770	o.r.
10500	1SQ8 718-6NA80-0C.0	994	720	720	97.3	97.7	97.8	97.6	0.86	0.86	0.83	0.76	100873	2.35	0.50	5.5	520	4500	o.r.
8-pole: $n_{sync} = 750$ rpm at 50 Hz																			
670	1SQ7 451-8NA80-0A.0	741	51	51	93.5	94.6	95.0	95.0	0.80	0.80	0.73	0.61	8632	2.05	0.70	5.0	23	580	o.r.
680	1SQ7 451-8NA80-0C.0	741	51	51	93.6	94.6	95.0	95.1	0.82	0.81	0.75	0.63	8758	2.25	0.65	5.1	30	790	o.r.
760	1SQ7 452-8NA80-0A.0	741	57	57	93.7	94.8	95.3	95.4	0.81	0.81	0.76	0.64	9794	2.05	0.70	5.0	25	790	o.r.
770	1SQ7 452-8NA80-0C.0	741	57	57	93.8	94.9	95.3	95.5	0.82	0.82	0.77	0.66	9918	2.25	0.65	5.1	32	1060	o.r.
860	1SQ7 453-8NA80-0A.0	741	65	65	94.2	95.1	95.4	95.4	0.80	0.80	0.73	0.60	11076	2.25	0.75	5.0	28	1030	o.r.
890	1SQ7 453-8NA80-0C.2	742	67	67	94.2	95.2	95.5	95.5	0.82	0.81	0.75	0.63	11461	2.40	0.65	5.0	36	1230	o.r.
950	1SQ7 454-8NA80-0A.0	741	71	71	94.2	95.2	95.6	95.7	0.81	0.81	0.75	0.63	12242	2.20	0.75	5.0	31	1170	o.r.
980	1SQ7 454-8NA80-0C.2	742	72	72	94.3	95.3	95.7	95.7	0.83	0.82	0.77	0.66	12623	2.45	0.70	5.1	40	1430	o.r.
1030	1SQ7 457-8NA80-0A.0	741	77	77	94.4	95.4	95.8	95.8	0.82	0.81	0.76	0.65	13272	2.25	0.80	5.2	35	1340	o.r.
1060	1SQ7 457-8NA80-0C.0	742	77	77	94.5	95.4	95.8	95.8	0.83	0.83	0.78	0.67	13650	2.45	0.70	5.2	45	1680	o.r.

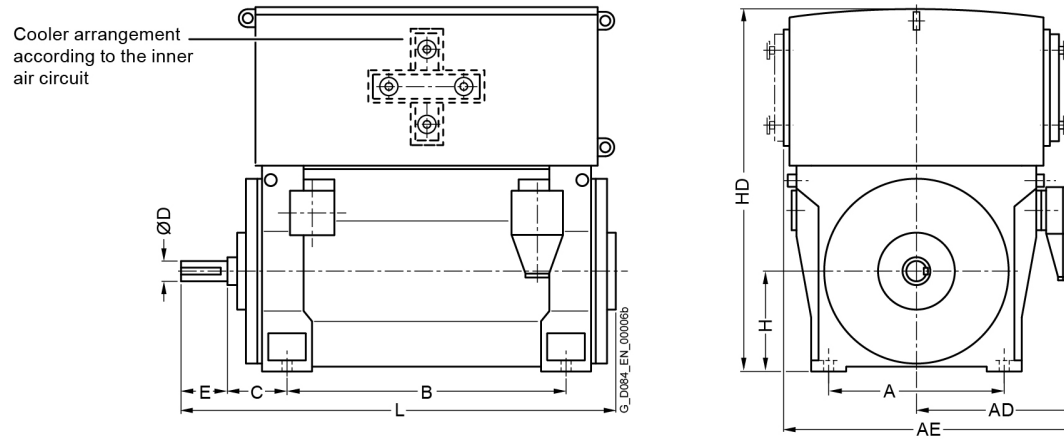
Innomotics HV M - 1SQ. IC81W 10000 V / 50 Hz B3 (IM 1001)																		
Rated power IEC	Article No.	Speed	Rated current I_R	Efficiency				Power factor				Torque T_R	Breakdown torque T_B/ T_R	Locked rotor torque T_{LR}/ T_R	Locked rotor current I_{LR}/ I_R	Inertia		
				5/4 load	4/4 load	3/4 load	2/4 load	5/4 load	4/4 load	3/4 load	2/4 load					motor	external	Startup max T/TR
kW		rpm	A	%	%	%	%	$\cos \varphi$	$\cos \varphi$	$\cos \varphi$	$\cos \varphi$	Nm	[-]	[-]	[-]	kgm ²	kgm ²	[-]
1120	1SQ7 458-8NA80-0A.2	742	84	94.6	95.6	95.8	95.8	0.82	0.81	0.76	0.64	14424	2.30	0.80	5.3	39	1440	o.r.
1140	1SQ7 458-8NA80-0C.2	742	83	94.7	95.6	95.9	95.9	0.83	0.83	0.77	0.66	14669	2.55	0.75	5.5	50	1830	o.r.
1250	1SQ7 502-8NA80-0C.2	742	91	95.1	95.9	96.3	96.5	0.81	0.83	0.80	0.73	16083	2.10	0.50	4.0	59	2570	o.r.
1250	1SQ7 502-8NA80-0A.2	742	92	94.8	95.8	96.3	96.5	0.81	0.82	0.82	0.75	16088	1.90	0.70	3.9	46	1310	o.r.
1380	1SQ7 503-8NA80-0A.2	743	102	95.2	95.9	96.4	96.5	0.82	0.82	0.80	0.73	17743	2.10	0.80	4.2	51	1920	o.r.
1400	1SQ7 503-8NA80-0C.2	742	102	95.1	95.9	96.4	96.6	0.82	0.83	0.80	0.74	18017	2.05	0.55	4.0	65	2370	o.r.
1550	1SQ7 504-8NA80-0A.2	743	112	95.3	96.1	96.5	96.6	0.82	0.83	0.80	0.73	19942	2.10	0.80	4.3	56	2870	o.r.
1600	1SQ7 504-8NA80-0C.2	742	116	95.2	96.0	96.5	96.7	0.81	0.83	0.82	0.74	20596	2.05	0.55	3.9	72	2420	o.r.
1720	1SQ7 507-8NA80-0A.2	743	126	95.6	96.2	96.6	96.6	0.82	0.82	0.80	0.72	22119	2.15	0.85	4.4	63	3460	o.r.
1760	1SQ7 507-8NA80-0C.2	743	128	95.5	96.2	96.6	96.8	0.82	0.83	0.80	0.74	22637	2.15	0.55	4.1	80	3320	o.r.
1810	1SQ7 508-8NA80-0A.2	744	134	95.8	96.3	96.5	96.4	0.82	0.81	0.77	0.67	23242	2.50	0.95	5.0	69	3350	o.r.
1900	1SQ7 508-8NA80-0C.2	743	138	95.8	96.3	96.6	96.6	0.82	0.82	0.79	0.70	24416	2.40	0.65	4.6	88	4080	o.r.
2050	1SQ7 562-8NA80-0C.2	744	148	95.4	96.1	96.4	96.2	0.82	0.83	0.80	0.73	26331	2.05	0.55	4.5	115	2835	o.r.
2280	1SQ7 563-8NA80-0C.2	744	164	95.6	96.2	96.5	96.3	0.82	0.83	0.80	0.73	29302	2.10	0.60	4.5	124	2985	o.r.
2600	1SQ7 564-8NA80-0C.2	744	188	95.8	96.4	96.7	96.5	0.82	0.83	0.80	0.74	33424	2.05	0.60	4.5	137	4255	o.r.
2900	1SQ7 567-8NA80-0C.2	744	210	96.0	96.5	96.8	96.6	0.82	0.83	0.80	0.73	37275	2.10	0.55	4.6	150	5395	o.r.
3150	1SQ7 568-8NA80-0C.2	744	225	96.1	96.6	96.9	96.6	0.83	0.83	0.81	0.74	40482	2.10	0.60	4.6	165	6300	o.r.
3750	1SQ8 634-8NA80-0C.0	743	265	95.6	96.3	96.5	96.4	0.84	0.85	0.82	0.76	48196	1.90	0.40	4.2	251	4130	o.r.
4200	1SQ8 637-8NA80-0C.0	744	290	96.0	96.5	96.6	96.3	0.85	0.86	0.81	0.73	53907	2.20	0.50	4.8	292	5610	o.r.
4450	1SQ8 638-8NA80-0C.0	744	310	96.2	96.7	96.7	96.4	0.86	0.86	0.81	0.72	57116	2.30	0.55	5.1	326	7020	o.r.
4750	1SQ8 712-8NA80-0C.0	745	310	96.3	96.7	96.8	96.5	0.86	0.86	0.81	0.72	60885	2.40	0.50	5.1	422	4890	o.r.
5250	1SQ8 713-8NA80-0C.0	745	345	96.4	96.8	96.9	96.6	0.87	0.87	0.83	0.74	67294	2.45	0.60	5.3	474	4570	o.r.
6000	1SQ8 714-8NA80-0C.0	746	390	96.6	97.0	97.0	96.6	0.86	0.86	0.81	0.72	76804	2.40	0.55	5.1	539	5540	o.r.
6800	1SQ8 717-8NA80-0C.0	746	440	96.7	97.0	97.0	96.6	0.85	0.85	0.80	0.70	87045	2.40	0.50	5.1	614	6160	o.r.
7400	1SQ8 718-8NA80-0C.0	746	495	96.8	97.1	97.0	96.6	0.86	0.85	0.80	0.69	94725	2.50	0.50	5.3	677	7320	o.r.



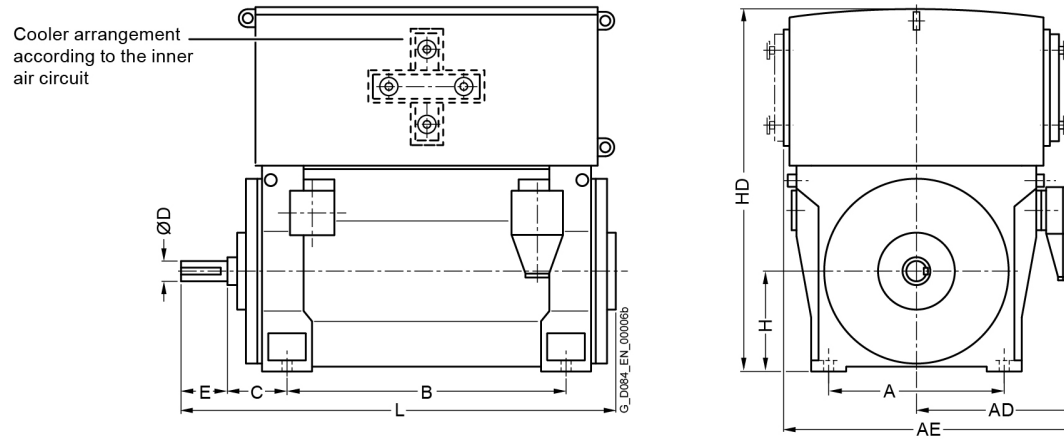
Motor type	Weight	Dimensions											
		A	AD	AE	B	C	D	E	H	HD	L	ML	
	kg	mm	mm	mm	mm	mm	mm	mm	mm	mm	mm	mm	mm
Innomotics HV M - 1SQ. IC81W 10000 V / 50 Hz B3 (IM 1001) - Dimension drawings													
2-pole													
1SQ7 453-2NA80-0AA2	4250	850	1140	1760	1180	250	95	130	450	1650	1840	o.r.	
1SQ7 453-2NA80-0AC2	4150	850	1140	1760	1180	475	95	130	450	1650	2270	o.r.	
1SQ7 453-2NA80-0CA0	4350	850	1140	1760	1180	250	95	130	450	1650	1840	o.r.	
1SQ7 453-2NA80-0CC0	4300	850	1140	1760	1180	475	95	130	450	1650	2270	o.r.	
1SQ7 454-2NA80-0AA2	4350	850	1140	1760	1180	250	95	130	450	1650	1840	o.r.	
1SQ7 454-2NA80-0AC2	4300	850	1140	1760	1180	475	95	130	450	1650	2270	o.r.	
1SQ7 454-2NA80-0CA2	4500	850	1140	1760	1180	250	95	130	450	1650	1840	o.r.	
1SQ7 454-2NA80-0CC2	4400	850	1140	1760	1180	475	95	130	450	1650	2270	o.r.	
1SQ7 457-2NA80-0AA2	4750	850	1140	1760	1400	250	95	130	450	1650	2050	o.r.	
1SQ7 457-2NA80-0AC2	4650	850	1140	1760	1400	475	95	130	450	1650	2480	o.r.	
1SQ7 457-2NA80-0CA2	4900	850	1140	1760	1400	250	95	130	450	1650	2050	o.r.	
1SQ7 457-2NA80-0CC2	4800	850	1140	1760	1400	475	95	130	450	1650	2480	o.r.	
1SQ7 458-2NA80-0AA2	4950	850	1140	1760	1400	250	95	130	450	1650	2050	o.r.	
1SQ7 458-2NA80-0AC2	4850	850	1140	1760	1400	475	95	130	450	1650	2480	o.r.	
1SQ7 458-2NA80-0CA2	5100	850	1140	1760	1400	250	95	130	450	1650	2050	o.r.	
1SQ7 458-2NA80-0CC2	5000	850	1140	1760	1400	475	95	130	450	1650	2480	o.r.	
1SQ7 503-2NA80-0AA0	5750	950	1220	1920	1320	250	110	165	500	1790	1960	o.r.	
1SQ7 503-2NA80-0AC0	5700	950	1220	1920	1320	530	120	165	500	1790	2510	o.r.	
1SQ7 503-2NA80-0CA0	5900	950	1220	1920	1320	250	110	165	500	1790	1960	o.r.	
1SQ7 503-2NA80-0CC0	5850	950	1220	1920	1320	530	120	165	500	1790	2510	o.r.	
1SQ7 504-2NA80-0AA0	5800	950	1220	1920	1320	250	110	165	500	1790	1960	o.r.	
1SQ7 504-2NA80-0AC0	5750	950	1220	1920	1320	530	120	165	500	1790	2510	o.r.	



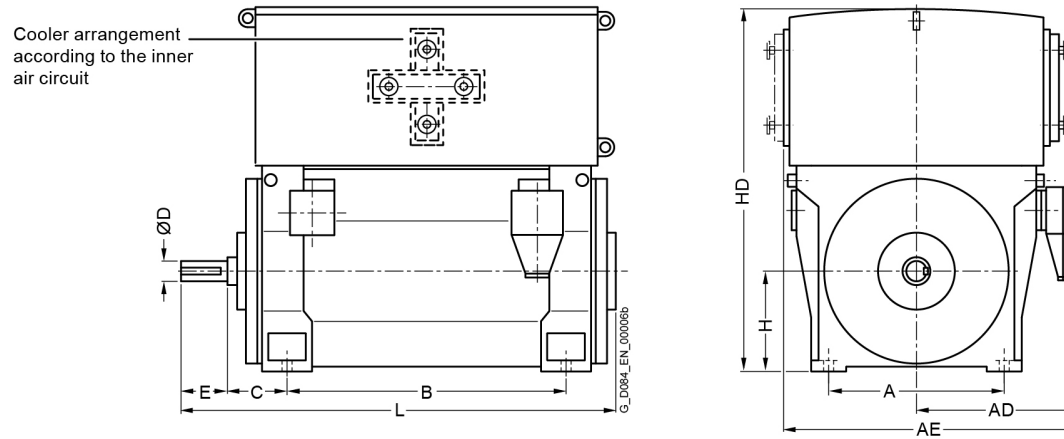
Motor type	Weight	Dimensions												
		A	AD	AE	B	C	D	E	H	HD	L	ML		
	kg	mm	mm	mm	mm	mm	mm	mm	mm	mm	mm	mm	mm	
Innomotics HV M - 1SQ. IC81W 10000 V / 50 Hz B3 (IM 1001) - Dimension drawings														
1SQ7 504-2NA80-0CA2	5950	950	1220	1920	1320	250	110	165	500	1790	1960	o.r.		
1SQ7 504-2NA80-0CC2	5900	950	1220	1920	1320	530	120	165	500	1790	2510	o.r.		
1SQ7 507-2NA80-0AA2	6450	950	1220	1920	1500	250	110	165	500	1790	2170	o.r.		
1SQ7 507-2NA80-0AC2	6400	950	1220	1920	1500	530	120	165	500	1790	2720	o.r.		
1SQ7 507-2NA80-0CA2	6600	950	1220	1920	1500	250	110	165	500	1790	2170	o.r.		
1SQ7 507-2NA80-0CC2	6550	950	1220	1920	1500	530	120	165	500	1790	2720	o.r.		
1SQ7 508-2NA80-0AA2	6800	950	1220	1920	1500	250	110	165	500	1790	2170	o.r.		
1SQ7 508-2NA80-0AC2	6750	950	1220	1920	1500	530	120	165	500	1790	2720	o.r.		
1SQ7 508-2NA80-0CA2	7000	950	1220	1920	1500	250	110	165	500	1790	2170	o.r.		
1SQ7 508-2NA80-0CC2	6900	950	1220	1920	1500	530	120	165	500	1790	2720	o.r.		
1SQ7 562-2NA80-0CC2	7600	1060	1290	2060	1400	600	150	200	560	1970	2810	o.r.		
1SQ7 563-2NA80-0CC2	7850	1060	1290	2060	1400	600	150	200	560	1970	2810	o.r.		
1SQ7 564-2NA80-0CC2	8100	1060	1290	2060	1400	600	150	200	560	1970	2810	o.r.		
1SQ7 567-2NA80-0CC2	8950	1060	1290	2060	1600	600	150	200	560	1970	3040	o.r.		
1SQ7 568-2NA80-0CC2	9500	1060	1290	2060	1600	600	150	200	560	1970	3040	o.r.		
1SQ8 632-2NA80-0CJ0	9200	1320	1520	2520	1600	560	160	240	630	2250	2890	o.r.		
1SQ8 633-2NA80-0CJ0	9700	1320	1520	2520	1600	560	160	240	630	2250	2890	o.r.		
1SQ8 634-2NA80-0CJ0	10200	1320	1520	2520	1600	560	160	240	630	2250	2890	o.r.		
1SQ8 637-2NA80-0CJ0	10950	1320	1520	2520	1800	560	160	240	630	2250	3090	o.r.		
1SQ8 638-2NA80-0CJ0	11600	1320	1520	2520	1800	560	160	240	630	2250	3090	o.r.		
1SQ8 712-2NA80-0CJ0	12900	1500	1620	2720	2000	560	180	240	710	2550	3280	o.r.		
1SQ8 713-2NA80-0CJ0	13550	1500	1620	2720	2000	560	180	240	710	2550	3280	o.r.		
1SQ8 714-2NA80-0CJ0	14350	1500	1620	2720	2000	560	180	240	710	2550	3280	o.r.		



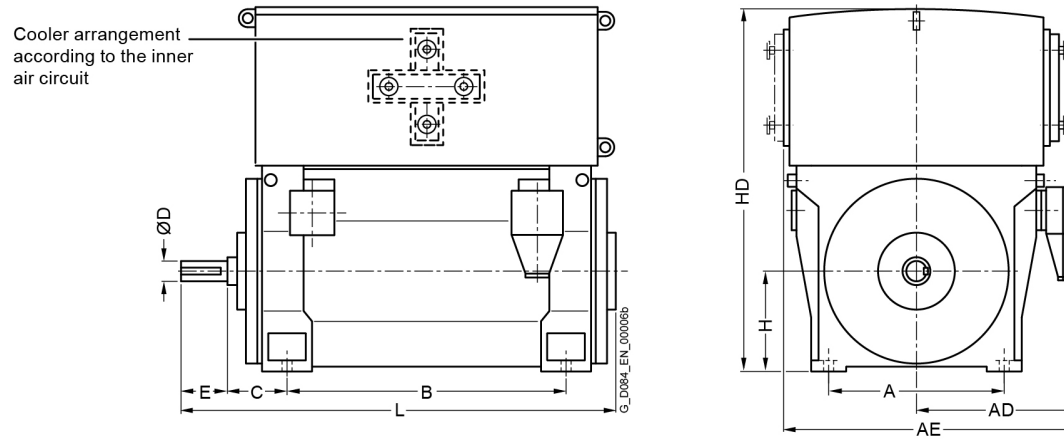
Motor type	Weight	Dimensions											
		A	AD	AE	B	C	D	E	H	HD	L	ML	
	kg	mm	mm	mm	mm	mm	mm	mm	mm	mm	mm	mm	mm
Innomotics HV M - 1SQ. IC81W 10000 V / 50 Hz B3 (IM 1001) - Dimension drawings													
1SQ8 716-2NA80-0CJ0	15200	1500	1620	2720	2240	560	180	240	710	2460	3520	o.r.	
1SQ8 717-2NA80-0CJ0	16100	1500	1620	2720	2240	560	180	240	710	2460	3520	o.r.	
1SQ8 718-2NA80-0CJ0	16800	1500	1620	2720	2240	560	180	240	710	2460	3520	o.r.	
4-pole													
1SQ7 453-4NA80-0AA0	4300	850	1140	1760	1180	250	130	200	450	1740	1920	o.r.	
1SQ7 453-4NA80-0AC0	4350	850	1140	1760	1180	500	130	200	450	1740	2390	o.r.	
1SQ7 453-4NA80-0CA0	4450	850	1140	1760	1180	250	130	200	450	1740	1920	o.r.	
1SQ7 453-4NA80-0CC0	4500	850	1140	1760	1180	500	130	200	450	1740	2390	o.r.	
1SQ7 454-4NA80-0AA0	4500	850	1140	1760	1180	250	130	200	450	1740	1920	o.r.	
1SQ7 454-4NA80-0AC0	4500	850	1140	1760	1180	500	130	200	450	1740	2390	o.r.	
1SQ7 454-4NA80-0CA2	4650	850	1140	1760	1180	250	130	200	450	1740	1920	o.r.	
1SQ7 454-4NA80-0CC2	4650	850	1140	1760	1180	500	130	200	450	1740	2390	o.r.	
1SQ7 457-4NA80-0CA2	5250	850	1140	1760	1400	250	130	200	450	1740	2130	o.r.	
1SQ7 457-4NA80-0CC2	5300	850	1140	1760	1400	500	130	200	450	1740	2600	o.r.	
1SQ7 457-4NA80-0AA0	5100	850	1140	1760	1400	250	130	200	450	1740	2130	o.r.	
1SQ7 457-4NA80-0AC0	5100	850	1140	1760	1400	500	130	200	450	1740	2600	o.r.	
1SQ7 458-4NA80-0AA2	5300	850	1140	1760	1400	250	130	200	450	1740	2130	o.r.	
1SQ7 458-4NA80-0AC2	5300	850	1140	1760	1400	500	130	200	450	1740	2600	o.r.	
1SQ7 458-4NA80-0CA2	5500	850	1140	1760	1400	250	130	200	450	1740	2130	o.r.	
1SQ7 458-4NA80-0CC2	5500	850	1140	1760	1400	500	130	200	450	1740	2600	o.r.	
1SQ7 503-4NA80-0AA2	6000	950	1220	1920	1320	315	160	240	500	1790	2180	o.r.	
1SQ7 503-4NA80-0AC2	6100	950	1220	1920	1320	560	170	240	500	1790	2620	o.r.	
1SQ7 503-4NA80-0CA0	6150	950	1220	1920	1320	315	160	240	500	1790	2180	o.r.	



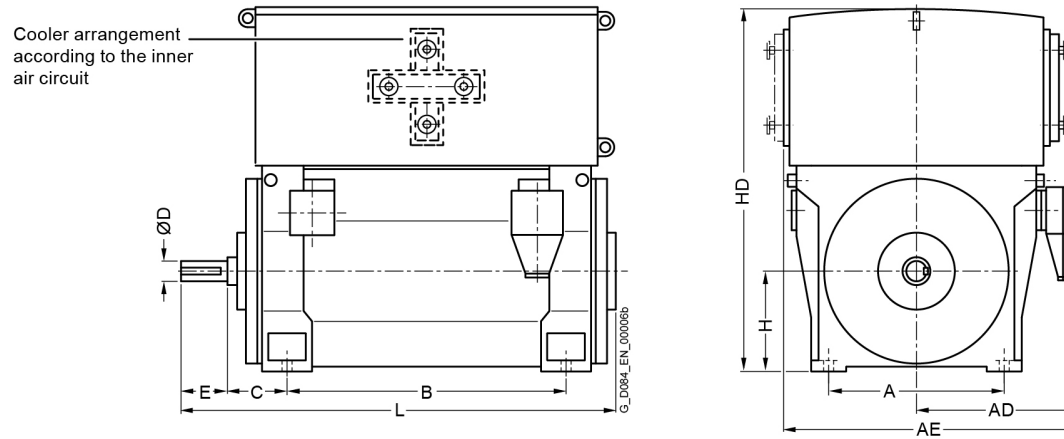
Motor type	Weight	Dimensions												
		A	AD	AE	B	C	D	E	H	HD	L	ML		
	kg	mm	mm	mm	mm	mm	mm	mm	mm	mm	mm	mm	mm	
Innomotics HV M - 1SQ. IC81W 10000 V / 50 Hz B3 (IM 1001) - Dimension drawings														
1SQ7 503-4NA80-0CC0	6250	950	1220	1920	1320	560	170	240	500	1790	2620	o.r.		
1SQ7 504-4NA80-0CA2	6400	950	1220	1920	1320	315	160	240	500	1790	2180	o.r.		
1SQ7 504-4NA80-0CC2	6500	950	1220	1920	1320	560	170	240	500	1790	2620	o.r.		
1SQ7 504-4NA80-0AA2	6300	950	1220	1920	1320	315	160	240	500	1790	2180	o.r.		
1SQ7 504-4NA80-0AC2	6350	950	1220	1920	1320	560	170	240	500	1790	2620	o.r.		
1SQ7 507-4NA80-0CA2	7100	950	1220	1920	1500	315	160	240	500	1790	2390	o.r.		
1SQ7 507-4NA80-0CC2	7150	950	1220	1920	1500	560	170	240	500	1790	2830	o.r.		
1SQ7 507-4NA80-0AA2	6900	950	1220	1920	1500	315	160	240	500	1790	2390	o.r.		
1SQ7 507-4NA80-0AC2	6950	950	1220	1920	1500	560	170	240	500	1790	2830	o.r.		
1SQ7 508-4NA80-0CA2	7450	950	1220	1920	1500	315	160	240	500	1790	2390	o.r.		
1SQ7 508-4NA80-0CC2	7550	950	1220	1920	1500	560	170	240	500	1790	2830	o.r.		
1SQ7 508-4NA80-0AA2	7250	950	1220	1920	1500	315	160	240	500	1790	2390	o.r.		
1SQ7 508-4NA80-0AC2	7300	950	1220	1920	1500	560	170	240	500	1790	2830	o.r.		
1SQ7 563-4NA80-0CA2	7900	1060	1290	2060	1400	335	190	280	560	1970	2390	o.r.		
1SQ7 563-4NA80-0CC2	7950	1060	1290	2060	1400	600	190	280	560	1970	2850	o.r.		
1SQ7 564-4NA80-0CA2	8350	1060	1290	2060	1400	335	190	280	560	1970	2390	o.r.		
1SQ7 564-4NA80-0CC2	8450	1060	1290	2060	1400	600	190	280	560	1970	2850	o.r.		
1SQ7 566-4NA80-0CA2	9200	1060	1290	2060	1600	335	190	280	560	1970	2620	o.r.		
1SQ7 566-4NA80-0CC2	9300	1060	1290	2060	1600	600	190	280	560	1970	3080	o.r.		
1SQ7 567-4NA80-0CA2	9600	1060	1290	2060	1600	335	190	280	560	1970	2620	o.r.		
1SQ7 567-4NA80-0CC2	9700	1060	1290	2060	1600	600	190	280	560	1970	3080	o.r.		
1SQ7 568-4NA80-0CA2	10100	1060	1290	2060	1600	335	190	280	560	1970	2620	o.r.		
1SQ7 568-4NA80-0CC2	10150	1060	1290	2060	1600	600	190	280	560	1970	3080	o.r.		



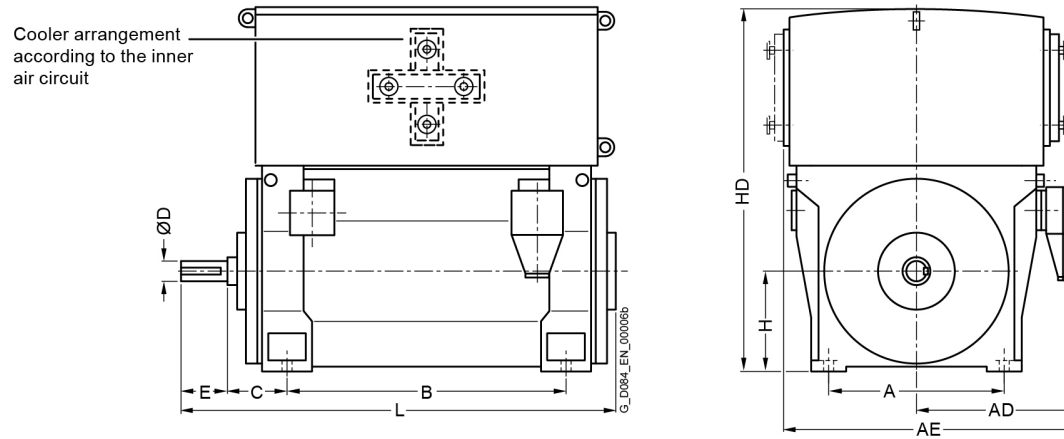
Motor type	Weight kg	Dimensions										
		A mm	AD mm	AE mm	B mm	C mm	D mm	E mm	H mm	HD mm	L mm	ML mm
Innomotics HV M - 1SQ. IC81W 10000 V / 50 Hz B3 (IM 1001) - Dimension drawings												
1SQ8 633-4NA80-0CG0	10350	1320	1520	2520	1600	375	200	280	630	2250	2610	o.r.
1SQ8 633-4NA80-0CJ0	10450	1320	1520	2520	1600	630	200	280	630	2250	3090	o.r.
1SQ8 634-4NA80-0CG0	10900	1320	1520	2520	1600	375	200	280	630	2250	2610	o.r.
1SQ8 634-4NA80-0CJ0	11050	1320	1520	2520	1600	630	200	280	630	2250	3090	o.r.
1SQ8 637-4NA80-0CG0	11800	1320	1520	2520	1800	375	200	280	630	2250	2810	o.r.
1SQ8 637-4NA80-0CJ0	11900	1320	1520	2520	1800	630	200	280	630	2250	3290	o.r.
1SQ8 638-4NA80-0CG0	12350	1320	1520	2520	1800	375	200	280	630	2250	2810	o.r.
1SQ8 638-4NA80-0CJ0	12500	1320	1520	2520	1800	630	200	280	630	2250	3290	o.r.
1SQ8 712-4NA80-0CG0	14050	1500	1620	2720	2000	375	220	280	710	2550	3010	o.r.
1SQ8 712-4NA80-0CJ0	14200	1500	1620	2720	2000	630	220	280	710	2550	3480	o.r.
1SQ8 713-4NA80-0CG0	14750	1500	1620	2720	2000	375	220	280	710	2550	3010	o.r.
1SQ8 713-4NA80-0CJ0	14900	1500	1620	2720	2000	630	220	280	710	2550	3480	o.r.
1SQ8 714-4NA80-0CG0	15500	1500	1620	2720	2000	375	220	280	710	2550	3010	o.r.
1SQ8 714-4NA80-0CJ0	15600	1500	1620	2720	2000	630	220	280	710	2550	3480	o.r.
1SQ8 717-4NA80-0CG0	16700	1500	1620	2720	2240	375	220	280	710	2460	3250	o.r.
1SQ8 717-4NA80-0CJ0	16850	1500	1620	2720	2240	630	220	280	710	2460	3720	o.r.
1SQ8 718-4NA80-0CG2	17300	1500	1620	2720	2240	375	220	280	710	2460	3250	o.r.
1SQ8 718-4NA80-0CJ2	17400	1500	1620	2720	2240	630	220	280	710	2460	3720	o.r.
6-pole												
1SQ7 452-6NA80-0AA0	4200	850	1140	1760	1180	250	130	200	450	1740	1920	o.r.
1SQ7 452-6NA80-0AC0	4200	850	1140	1760	1180	500	130	200	450	1740	2390	o.r.
1SQ7 452-6NA80-0CA0	4350	850	1140	1760	1180	250	130	200	450	1740	1920	o.r.
1SQ7 452-6NA80-0CC0	4350	850	1140	1760	1180	500	130	200	450	1740	2390	o.r.



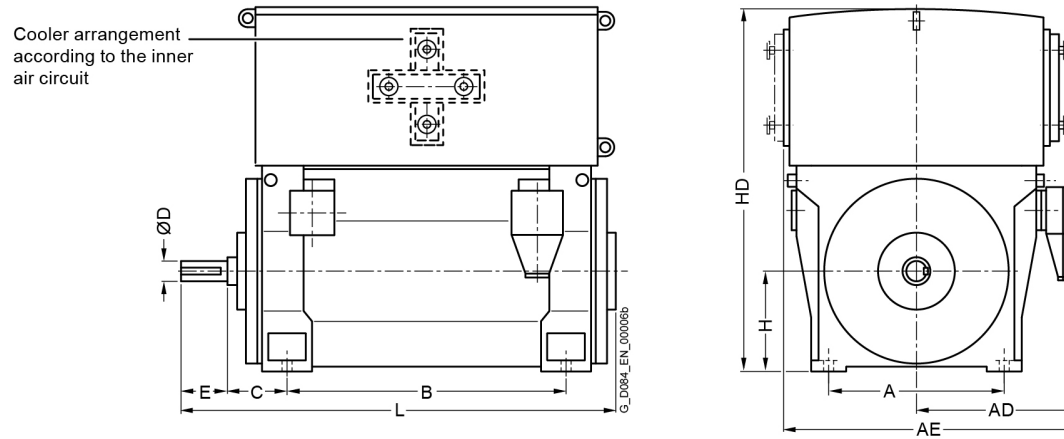
Motor type	Weight	Dimensions												
		A	AD	AE	B	C	D	E	H	HD	L	ML		
	kg	mm	mm	mm	mm	mm	mm	mm	mm	mm	mm	mm	mm	
Innomotics HV M - 1SQ. IC81W 10000 V / 50 Hz B3 (IM 1001) - Dimension drawings														
1SQ7 453-6NA80-0AA0	4350	850	1140	1760	1180	250	130	200	450	1740	1920	o.r.		
1SQ7 453-6NA80-0AC0	4350	850	1140	1760	1180	500	130	200	450	1740	2390	o.r.		
1SQ7 453-6NA80-0CA0	4500	850	1140	1760	1180	250	130	200	450	1740	1920	o.r.		
1SQ7 453-6NA80-0CC0	4500	850	1140	1760	1180	500	130	200	450	1740	2390	o.r.		
1SQ7 454-6NA80-0AA0	4500	850	1140	1760	1180	250	130	200	450	1740	1920	o.r.		
1SQ7 454-6NA80-0AC0	4550	850	1140	1760	1180	500	130	200	450	1740	2390	o.r.		
1SQ7 454-6NA80-0CA0	4650	850	1140	1760	1180	250	130	200	450	1740	1920	o.r.		
1SQ7 454-6NA80-0CC0	4700	850	1140	1760	1180	500	130	200	450	1740	2390	o.r.		
1SQ7 457-6NA80-0AA0	4950	850	1140	1760	1400	250	130	200	450	1740	2130	o.r.		
1SQ7 457-6NA80-0AC0	5000	850	1140	1760	1400	500	130	200	450	1740	2600	o.r.		
1SQ7 457-6NA80-0CA0	5150	850	1140	1760	1400	250	130	200	450	1740	2130	o.r.		
1SQ7 457-6NA80-0CC0	5200	850	1140	1760	1400	500	130	200	450	1740	2600	o.r.		
1SQ7 458-6NA80-0AA0	5250	850	1140	1760	1400	250	130	200	450	1740	2130	o.r.		
1SQ7 458-6NA80-0AC0	5250	850	1140	1760	1400	500	130	200	450	1740	2600	o.r.		
1SQ7 458-6NA80-0CA0	5450	850	1140	1760	1400	250	130	200	450	1740	2130	o.r.		
1SQ7 458-6NA80-0CC0	5500	850	1140	1760	1400	500	130	200	450	1740	2600	o.r.		
1SQ7 502-6NA80-0CA2	6200	950	1220	1920	1320	315	160	240	500	1910	2180	o.r.		
1SQ7 502-6NA80-0CC2	6250	950	1220	1920	1320	560	170	240	500	1910	2620	o.r.		
1SQ7 502-6NA80-0AA0	5950	950	1220	1920	1320	315	160	240	500	1910	2180	o.r.		
1SQ7 502-6NA80-0AC0	6000	950	1220	1920	1320	560	170	240	500	1910	2620	o.r.		
1SQ7 503-6NA80-0CA2	6450	950	1220	1920	1320	315	160	240	500	1910	2180	o.r.		
1SQ7 503-6NA80-0CC2	6500	950	1220	1920	1320	560	170	240	500	1910	2620	o.r.		
1SQ7 503-6NA80-0AA0	6200	950	1220	1920	1320	315	160	240	500	1910	2180	o.r.		



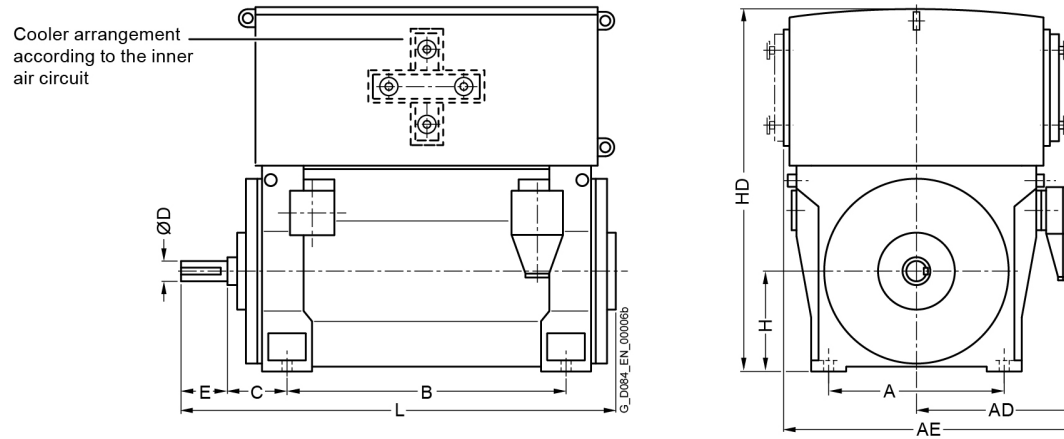
Motor type	Weight	Dimensions											
		A	AD	AE	B	C	D	E	H	HD	L	ML	
	kg	mm	mm	mm	mm	mm	mm	mm	mm	mm	mm	mm	
Innomotics HV M - 1SQ. IC81W 10000 V / 50 Hz B3 (IM 1001) - Dimension drawings													
1SQ7 503-6NA80-0AC0	6250	950	1220	1920	1320	560	170	240	500	1910	2620	o.r.	
1SQ7 504-6NA80-0CA2	6700	950	1220	1920	1320	315	160	240	500	1910	2180	o.r.	
1SQ7 504-6NA80-0CC2	6800	950	1220	1920	1320	560	170	240	500	1910	2620	o.r.	
1SQ7 504-6NA80-0AA2	6450	950	1220	1920	1320	315	160	240	500	1910	2180	o.r.	
1SQ7 504-6NA80-0AC2	6500	950	1220	1920	1320	560	170	240	500	1910	2620	o.r.	
1SQ7 507-6NA80-0CA2	7350	950	1220	1920	1500	315	160	240	500	1910	2390	o.r.	
1SQ7 507-6NA80-0CC2	7450	950	1220	1920	1500	560	170	240	500	1910	2830	o.r.	
1SQ7 507-6NA80-0AA2	7150	950	1220	1920	1500	315	160	240	500	1910	2390	o.r.	
1SQ7 507-6NA80-0AC2	7200	950	1220	1920	1500	560	170	240	500	1910	2830	o.r.	
1SQ7 508-6NA80-0AA2	7450	950	1220	1920	1500	315	160	240	500	1910	2390	o.r.	
1SQ7 508-6NA80-0AC2	7500	950	1220	1920	1500	560	170	240	500	1910	2830	o.r.	
1SQ7 508-6NA80-0CA2	7750	950	1220	1920	1500	315	160	240	500	1910	2390	o.r.	
1SQ7 508-6NA80-0CC2	7800	950	1220	1920	1500	560	170	240	500	1910	2830	o.r.	
1SQ7 562-6NA80-0CA2	8250	1060	1290	2060	1400	335	190	280	560	2110	2390	o.r.	
1SQ7 562-6NA80-0CC2	8350	1060	1290	2060	1400	600	190	280	560	2110	2850	o.r.	
1SQ7 563-6NA80-0CA2	8550	1060	1290	2060	1400	335	190	280	560	2110	2390	o.r.	
1SQ7 563-6NA80-0CC2	8650	1060	1290	2060	1400	600	190	280	560	2110	2850	o.r.	
1SQ7 564-6NA80-0CA2	8950	1060	1290	2060	1400	335	190	280	560	2110	2390	o.r.	
1SQ7 564-6NA80-0CC2	9050	1060	1290	2060	1400	600	190	280	560	2110	2850	o.r.	
1SQ7 567-6NA80-0CA2	9750	1060	1290	2060	1600	335	190	280	560	2110	2620	o.r.	
1SQ7 567-6NA80-0CC2	9850	1060	1290	2060	1600	600	190	280	560	2110	3080	o.r.	
1SQ7 568-6NA80-0CA2	10350	1060	1290	2060	1600	335	190	280	560	2110	2620	o.r.	
1SQ7 568-6NA80-0CC2	10450	1060	1290	2060	1600	600	190	280	560	2110	3080	o.r.	



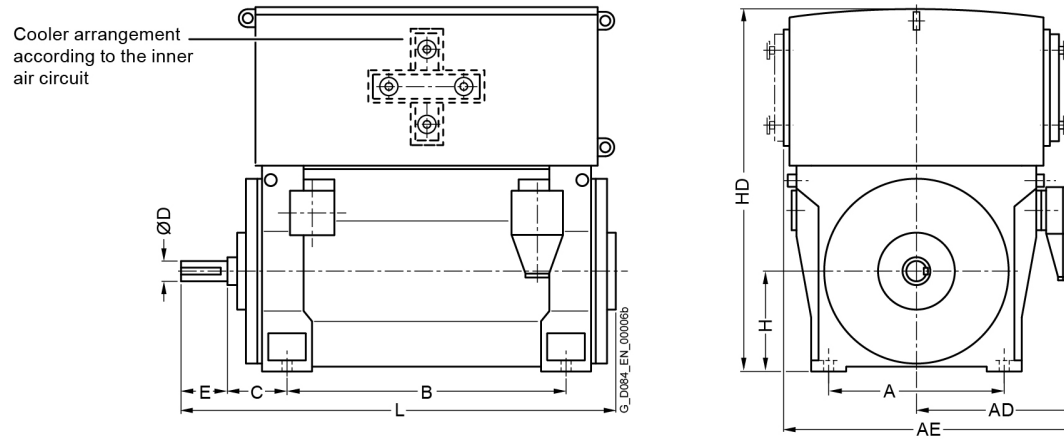
Motor type	Weight	Dimensions												
		A	AD	AE	B	C	D	E	H	HD	L	ML		
	kg	mm	mm	mm	mm	mm	mm	mm	mm	mm	mm	mm	mm	
Innomotics HV M - 1SQ. IC81W 10000 V / 50 Hz B3 (IM 1001) - Dimension drawings														
1SQ8 632-6NA80-0CG0	10350	1320	1520	2520	1600	375	200	280	630	2250	2610	o.r.		
1SQ8 632-6NA80-0CJ0	10450	1320	1520	2520	1600	630	200	280	630	2250	3090	o.r.		
1SQ8 633-6NA80-0CG2	10800	1320	1520	2520	1600	375	200	280	630	2250	2610	o.r.		
1SQ8 633-6NA80-0CJ2	10900	1320	1520	2520	1600	630	200	280	630	2250	3090	o.r.		
1SQ8 634-6NA80-0CG0	11350	1320	1520	2520	1600	375	200	280	630	2250	2610	o.r.		
1SQ8 634-6NA80-0CJ0	11450	1320	1520	2520	1600	630	200	280	630	2250	3090	o.r.		
1SQ8 637-6NA80-0CG0	12100	1320	1520	2520	1800	375	200	280	630	2250	2810	o.r.		
1SQ8 637-6NA80-0CJ0	12200	1320	1520	2520	1800	630	200	280	630	2250	3290	o.r.		
1SQ8 638-6NA80-0CG0	12600	1320	1520	2520	1800	375	200	280	630	2250	2810	o.r.		
1SQ8 638-6NA80-0CJ0	12700	1320	1520	2520	1800	630	200	280	630	2250	3290	o.r.		
1SQ8 712-6NA80-0CG0	14000	1500	1620	2720	2000	375	220	280	710	2550	3010	o.r.		
1SQ8 712-6NA80-0CJ0	14150	1500	1620	2720	2000	630	220	280	710	2550	3480	o.r.		
1SQ8 713-6NA80-0CG0	14950	1500	1620	2720	2000	375	220	280	710	2550	3010	o.r.		
1SQ8 713-6NA80-0CJ0	15050	1500	1620	2720	2000	630	220	280	710	2550	3480	o.r.		
1SQ8 714-6NA80-0CG0	16000	1500	1620	2720	2000	375	220	280	710	2550	3010	o.r.		
1SQ8 714-6NA80-0CJ0	16100	1500	1620	2720	2000	630	220	280	710	2550	3480	o.r.		
1SQ8 717-6NA80-0CG0	17400	1500	1620	2720	2240	375	220	280	710	2460	3250	o.r.		
1SQ8 717-6NA80-0CJ0	17550	1500	1620	2720	2240	630	220	280	710	2460	3720	o.r.		
1SQ8 718-6NA80-0CG0	18450	1500	1620	2720	2240	375	220	280	710	2460	3250	o.r.		
1SQ8 718-6NA80-0CJ0	18550	1500	1620	2720	2240	630	220	280	710	2460	3720	o.r.		
8-pole														
1SQ7 451-8NA80-0AA0	4150	850	1140	1760	1180	250	130	200	450	1740	1920	o.r.		
1SQ7 451-8NA80-0AC0	4200	850	1140	1760	1180	500	130	200	450	1740	2390	o.r.		



Motor type	Weight	Dimensions												
		A	AD	AE	B	C	D	E	H	HD	L	ML		
	kg	mm	mm	mm	mm	mm	mm	mm	mm	mm	mm	mm	mm	
Innomotics HV M - 1SQ. IC81W 10000 V / 50 Hz B3 (IM 1001) - Dimension drawings														
1SQ7 451-8NA80-0CA0	4300	850	1140	1760	1180	250	130	200	450	1740	1920	o.r.		
1SQ7 451-8NA80-0CC0	4300	850	1140	1760	1180	500	130	200	450	1740	2390	o.r.		
1SQ7 452-8NA80-0AA0	4300	850	1140	1760	1180	250	130	200	450	1740	1920	o.r.		
1SQ7 452-8NA80-0AC0	4350	850	1140	1760	1180	500	130	200	450	1740	2390	o.r.		
1SQ7 452-8NA80-0CA0	4450	850	1140	1760	1180	250	130	200	450	1740	1920	o.r.		
1SQ7 452-8NA80-0CC0	4500	850	1140	1760	1180	500	130	200	450	1740	2390	o.r.		
1SQ7 453-8NA80-0AA0	4500	850	1140	1760	1180	250	130	200	450	1740	1920	o.r.		
1SQ7 453-8NA80-0AC0	4550	850	1140	1760	1180	500	130	200	450	1740	2390	o.r.		
1SQ7 453-8NA80-0CA2	4650	850	1140	1760	1180	250	130	200	450	1740	1920	o.r.		
1SQ7 453-8NA80-0CC2	4700	850	1140	1760	1180	500	130	200	450	1740	2390	o.r.		
1SQ7 454-8NA80-0AA0	4750	850	1140	1760	1180	250	130	200	450	1740	1920	o.r.		
1SQ7 454-8NA80-0AC0	4750	850	1140	1760	1180	500	130	200	450	1740	2390	o.r.		
1SQ7 454-8NA80-0CA2	4900	850	1140	1760	1180	250	130	200	450	1740	1920	o.r.		
1SQ7 454-8NA80-0CC2	4950	850	1140	1760	1180	500	130	200	450	1740	2390	o.r.		
1SQ7 457-8NA80-0AA0	5250	850	1140	1760	1400	250	130	200	450	1740	2130	o.r.		
1SQ7 457-8NA80-0AC0	5250	850	1140	1760	1400	500	130	200	450	1740	2600	o.r.		
1SQ7 457-8NA80-0CA0	5400	850	1140	1760	1400	250	130	200	450	1740	2130	o.r.		
1SQ7 457-8NA80-0CC0	5450	850	1140	1760	1400	500	130	200	450	1740	2600	o.r.		
1SQ7 458-8NA80-0AA2	5500	850	1140	1760	1400	250	130	200	450	1740	2130	o.r.		
1SQ7 458-8NA80-0AC2	5500	850	1140	1760	1400	500	130	200	450	1740	2600	o.r.		
1SQ7 458-8NA80-0CA2	5700	850	1140	1760	1400	250	130	200	450	1740	2130	o.r.		
1SQ7 458-8NA80-0CC2	5700	850	1140	1760	1400	500	130	200	450	1740	2600	o.r.		
1SQ7 502-8NA80-0CA2	6200	950	1220	1920	1320	315	160	240	500	1910	2180	o.r.		



Motor type	Weight	Dimensions												
		A	AD	AE	B	C	D	E	H	HD	L	ML		
	kg	mm	mm	mm	mm	mm	mm	mm	mm	mm	mm	mm	mm	
Innomotics HV M - 1SQ. IC81W 10000 V / 50 Hz B3 (IM 1001) - Dimension drawings														
1SQ7 502-8NA80-0CC2	6250	950	1220	1920	1320	560	170	240	500	1910	2620	o.r.		
1SQ7 502-8NA80-0AA2	5950	950	1220	1920	1320	315	160	240	500	1910	2180	o.r.		
1SQ7 502-8NA80-0AC2	6000	950	1220	1920	1320	560	170	240	500	1910	2620	o.r.		
1SQ7 503-8NA80-0AA2	6200	950	1220	1920	1320	315	160	240	500	1910	2180	o.r.		
1SQ7 503-8NA80-0AC2	6300	950	1220	1920	1320	560	170	240	500	1910	2620	o.r.		
1SQ7 503-8NA80-0CA2	6450	950	1220	1920	1320	315	160	240	500	1910	2180	o.r.		
1SQ7 503-8NA80-0CC2	6500	950	1220	1920	1320	560	170	240	500	1910	2620	o.r.		
1SQ7 504-8NA80-0AA2	6500	950	1220	1920	1320	315	160	240	500	1910	2180	o.r.		
1SQ7 504-8NA80-0AC2	6550	950	1220	1920	1320	560	170	240	500	1910	2620	o.r.		
1SQ7 504-8NA80-0CA2	6750	950	1220	1920	1320	315	160	240	500	1910	2180	o.r.		
1SQ7 504-8NA80-0CC2	6800	950	1220	1920	1320	560	170	240	500	1910	2620	o.r.		
1SQ7 507-8NA80-0AA2	7200	950	1220	1920	1500	315	160	240	500	1910	2390	o.r.		
1SQ7 507-8NA80-0AC2	7250	950	1220	1920	1500	560	170	240	500	1910	2830	o.r.		
1SQ7 507-8NA80-0CA2	7450	950	1220	1920	1500	315	160	240	500	1910	2390	o.r.		
1SQ7 507-8NA80-0CC2	7500	950	1220	1920	1500	560	170	240	500	1910	2830	o.r.		
1SQ7 508-8NA80-0AA2	7500	950	1220	1920	1500	315	160	240	500	1910	2390	o.r.		
1SQ7 508-8NA80-0AC2	7550	950	1220	1920	1500	560	170	240	500	1910	2830	o.r.		
1SQ7 508-8NA80-0CA2	7750	950	1220	1920	1500	315	160	240	500	1910	2390	o.r.		
1SQ7 508-8NA80-0CC2	7800	950	1220	1920	1500	560	170	240	500	1910	2830	o.r.		
1SQ7 562-8NA80-0CA2	8150	1060	1290	2060	1400	335	190	280	560	2110	2390	o.r.		
1SQ7 562-8NA80-0CC2	8250	1060	1290	2060	1400	600	190	280	560	2110	2850	o.r.		
1SQ7 563-8NA80-0CA2	8450	1060	1290	2060	1400	335	190	280	560	2110	2390	o.r.		
1SQ7 563-8NA80-0CC2	8500	1060	1290	2060	1400	600	190	280	560	2110	2850	o.r.		



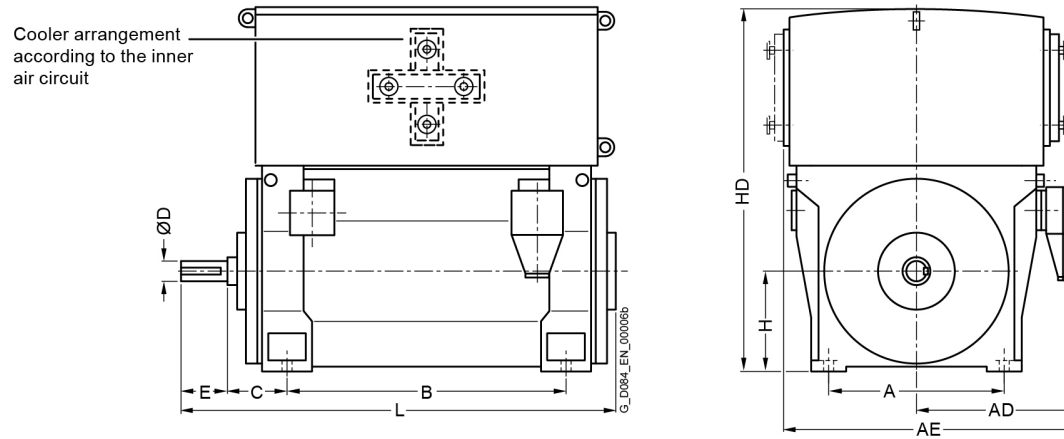
Motor type	Weight	Dimensions											
		A	AD	AE	B	C	D	E	H	HD	L	ML	
	kg	mm	mm	mm	mm	mm	mm	mm	mm	mm	mm	mm	mm
Innomotics HV M - 1SQ. IC81W 10000 V / 50 Hz B3 (IM 1001) - Dimension drawings													
1SQ7 564-8NA80-OCA2	8950	1060	1290	2060	1400	335	190	280	560	2110	2390	o.r.	
1SQ7 564-8NA80-OCC2	9000	1060	1290	2060	1400	600	190	280	560	2110	2850	o.r.	
1SQ7 567-8NA80-OCA2	9800	1060	1290	2060	1600	335	190	280	560	2110	2620	o.r.	
1SQ7 567-8NA80-OCC2	9850	1060	1290	2060	1600	600	190	280	560	2110	3080	o.r.	
1SQ7 568-8NA80-OCA2	10300	1060	1290	2060	1600	335	190	280	560	2110	2620	o.r.	
1SQ7 568-8NA80-OCC2	10350	1060	1290	2060	1600	600	190	280	560	2110	3080	o.r.	
1SQ8 634-8NA80-OCG0	10500	1320	1520	2520	1600	375	200	280	630	2380	2610	o.r.	
1SQ8 634-8NA80-OCJ0	10600	1320	1520	2520	1600	630	200	280	630	2380	3090	o.r.	
1SQ8 637-8NA80-OCG0	11650	1320	1520	2520	1800	375	200	280	630	2380	2810	o.r.	
1SQ8 637-8NA80-OCJ0	11750	1320	1520	2520	1800	630	200	280	630	2380	3290	o.r.	
1SQ8 638-8NA80-OCG0	12350	1320	1520	2520	1800	375	200	280	630	2380	2810	o.r.	
1SQ8 638-8NA80-OCJ0	12450	1320	1520	2520	1800	630	200	280	630	2380	3290	o.r.	
1SQ8 712-8NA80-OCG0	13550	1500	1620	2720	2000	375	220	280	710	2550	3010	o.r.	
1SQ8 712-8NA80-OCJ0	13750	1500	1620	2720	2000	630	220	280	710	2550	3480	o.r.	
1SQ8 713-8NA80-OCG0	14350	1500	1620	2720	2000	375	220	280	710	2550	3010	o.r.	
1SQ8 713-8NA80-OCJ0	14550	1500	1620	2720	2000	630	220	280	710	2550	3480	o.r.	
1SQ8 714-8NA80-OCG0	15500	1500	1620	2720	2000	375	220	280	710	2550	3010	o.r.	
1SQ8 714-8NA80-OCJ0	15700	1500	1620	2720	2000	630	220	280	710	2550	3480	o.r.	
1SQ8 717-8NA80-OCG0	17050	1500	1620	2720	2240	375	220	280	710	2460	3250	o.r.	
1SQ8 717-8NA80-OCJ0	17250	1500	1620	2720	2240	630	220	280	710	2460	3720	o.r.	
1SQ8 718-8NA80-OCG0	18100	1500	1620	2720	2240	375	220	280	710	2460	3250	o.r.	
1SQ8 718-8NA80-OCJ0	18300	1500	1620	2720	2240	630	220	280	710	2460	3720	o.r.	

Innomotics HV M - 1SQ. IC81W 11000 V / 50 Hz B3 (IM 1001)																		
Rated power IEC	Article No.	Speed	Rated current I_R	Efficiency				Power factor				Torque T_R	Breakdown torque T_B/ T_R	Locked rotor torque T_{LR}/ T_R	Locked rotor current I_{LR}/ I_R	Inertia		
				5/4 load	4/4 load	3/4 load	2/4 load	5/4 load	4/4 load	3/4 load	2/4 load					motor	external	Startup max T/TR
kW		rpm	A	%	%	%	%	cos φ	cos φ	cos φ	cos φ	Nm	[-]	[-]	[-]	kgm ²	kgm ²	[-]
2-pole: $n_{sync} = 3000$ rpm at 50 Hz																		
1260	1SQ7 452-2NA90-0A.0	2978	79	94.8	95.6	95.9	95.7	0.87	0.88	0.87	0.83	4040	2.20	0.50	5.2	9	45	o.r.
1400	1SQ7 453-2NA90-0A.0	2978	87	95.1	95.8	96.1	95.9	0.87	0.88	0.87	0.83	4489	2.20	0.50	5.2	10	55	o.r.
1400	1SQ7 453-2NA90-0C.0	2977	85	95.1	95.8	96.1	95.9	0.88	0.90	0.89	0.87	4491	2.20	0.55	5.2	14	75	o.r.
1500	1SQ7 454-2NA90-0A.0	2980	93	95.3	95.9	96.1	95.7	0.87	0.88	0.86	0.80	4807	2.50	0.55	6.0	11	55	o.r.
1500	1SQ7 454-2NA90-0C.0	2978	91	95.2	96.0	96.2	96.0	0.89	0.90	0.90	0.87	4810	2.30	0.60	5.4	15	75	o.r.
1700	1SQ7 457-2NA90-0A.0	2980	106	95.5	96.1	96.2	95.9	0.88	0.88	0.86	0.80	5448	2.50	0.55	6.0	12	75	o.r.
1700	1SQ7 457-2NA90-0C.0	2979	104	95.5	96.1	96.2	95.9	0.89	0.90	0.89	0.86	5449	2.50	0.60	5.6	16	100	o.r.
1900	1SQ7 458-2NA90-0A.0	2980	116	95.7	96.3	96.5	96.2	0.88	0.89	0.87	0.82	6088	2.55	0.60	6.0	13	80	o.r.
1900	1SQ7 458-2NA90-0C.0	2980	114	95.7	96.3	96.5	96.2	0.90	0.91	0.90	0.87	6088	2.50	0.60	5.8	17	110	o.r.
2200	1SQ7 503-2NA90-0C.0	2976	134	95.7	96.3	96.7	96.6	0.88	0.89	0.89	0.86	7059	2.25	0.55	4.4	20	134	o.r.
2150	1SQ7 503-2NA90-0A.0	2971	134	95.5	96.1	96.6	96.8	0.86	0.88	0.88	0.86	6910	2.00	0.45	5.0	15	28	o.r.
2500	1SQ7 504-2NA90-0C.0	2977	152	96.0	96.5	96.7	96.6	0.88	0.89	0.89	0.84	8019	2.45	0.70	4.8	21	126	o.r.
2300	1SQ7 504-2NA90-0A.0	2972	142	95.5	96.2	96.7	96.8	0.86	0.88	0.88	0.86	7390	2.00	0.45	5.0	15	28	o.r.
2750	1SQ7 507-2NA90-0C.0	2979	166	96.3	96.7	97.0	96.9	0.89	0.90	0.90	0.86	8815	2.50	0.70	5.1	24	140	o.r.
2600	1SQ7 507-2NA90-0A.0	2973	158	95.9	96.5	96.9	97.0	0.88	0.89	0.90	0.87	8351	2.30	0.50	5.4	18	36	o.r.
3100	1SQ7 508-2NA90-0C.0	2980	184	96.5	96.9	97.1	97.0	0.90	0.91	0.91	0.87	9934	2.60	0.75	5.4	27	148	o.r.
2850	1SQ7 508-2NA90-0A.0	2976	174	96.2	96.7	97.0	97.0	0.88	0.89	0.90	0.86	9145	2.50	0.45	5.9	20	44	o.r.
3670	1SQ7 562-2NA90-0CC0	2982	225	96.3	96.6	96.8	96.5	0.88	0.89	0.88	0.85	11752	2.25	0.60	5.1	41	235	o.r.
3920	1SQ7 563-2NA90-0CC0	2981	235	96.4	96.7	96.9	96.7	0.88	0.90	0.89	0.86	12557	2.25	0.55	5.1	44	240	o.r.
4430	1SQ7 564-2NA90-0CC0	2983	270	96.5	96.7	96.9	96.5	0.88	0.89	0.87	0.83	14181	2.50	0.65	5.7	47	220	o.r.
5000	1SQ7 567-2NA90-0CC0	2982	300	96.7	97.0	97.2	96.9	0.89	0.90	0.90	0.87	16012	2.35	0.60	5.4	52	270	o.r.
5170	1SQ7 568-2NA90-0CC0	2985	305	96.9	97.1	97.2	96.9	0.91	0.91	0.90	0.86	16539	2.70	0.65	6.2	58	260	o.r.
5800	1SQ8 632-2NA90-0CJ0	2982	355	96.3	96.9	96.8	96.4	0.86	0.88	0.89	0.87	18573	2.00	0.50	4.6	75	270	o.r.
6550	1SQ8 633-2NA90-0CJ0	2982	400	96.5	97.0	97.0	96.6	0.87	0.89	0.89	0.88	20975	2.05	0.50	4.8	82	270	o.r.
7050	1SQ8 634-2NA90-0CJ0	2982	430	96.6	97.1	97.1	96.7	0.87	0.89	0.90	0.89	22576	2.10	0.55	5.0	90	270	o.r.
8050	1SQ8 637-2NA90-0CJ0	2983	480	96.8	97.3	97.2	96.9	0.88	0.90	0.91	0.89	25770	2.20	0.60	5.3	99	270	o.r.
8850	1SQ8 638-2NA90-0CJ0	2984	520	97.0	97.4	97.4	97.0	0.89	0.91	0.91	0.89	28321	2.35	0.65	5.6	108	270	o.r.
9150	1SQ8 712-2NA90-0CJ0	2984	560	96.7	97.0	97.0	96.5	0.85	0.88	0.89	0.88	29282	1.75	0.50	4.1	149	220	o.r.
9900	1SQ8 713-2NA90-0CJ0	2985	600	96.8	97.1	97.1	96.6	0.86	0.89	0.89	0.89	31671	1.90	0.50	4.0	160	210	o.r.
10600	1SQ8 714-2NA90-0CJ0	2986	630	97.0	97.2	97.1	96.6	0.88	0.91	0.90	0.89	33899	2.10	0.55	4.4	173	210	o.r.
12000	1SQ8 716-2NA90-0CJ0	2986	720	97.1	97.3	97.3	96.8	0.88	0.90	0.90	0.89	38376	2.10	0.60	5.0	186	190	o.r.
13200	1SQ8 717-2NA90-0CJ0	2987	780	97.3	97.4	97.4	96.9	0.89	0.91	0.91	0.90	42200	2.20	0.60	5.2	202	170	o.r.
13850	1SQ8 718-2NA90-0CJ0	2988	820	97.2	97.4	97.4	97.0	0.89	0.91	0.91	0.90	44263	2.20	0.60	5.3	220	220	o.r.
4-pole: $n_{sync} = 1500$ rpm at 50 Hz																		
1380	1SQ7 453-4NA90-0C.0	1486	87	95.0	95.8	96.2	96.1	0.87	0.87	0.84	0.77	8868	2.35	0.55	5.2	23	290	o.r.
1350	1SQ7 453-4NA90-0A.0	1483	85	94.8	95.6	96.1	96.1	0.87	0.87	0.85	0.78	8693	2.30	0.65	5.5	17	310	o.r.

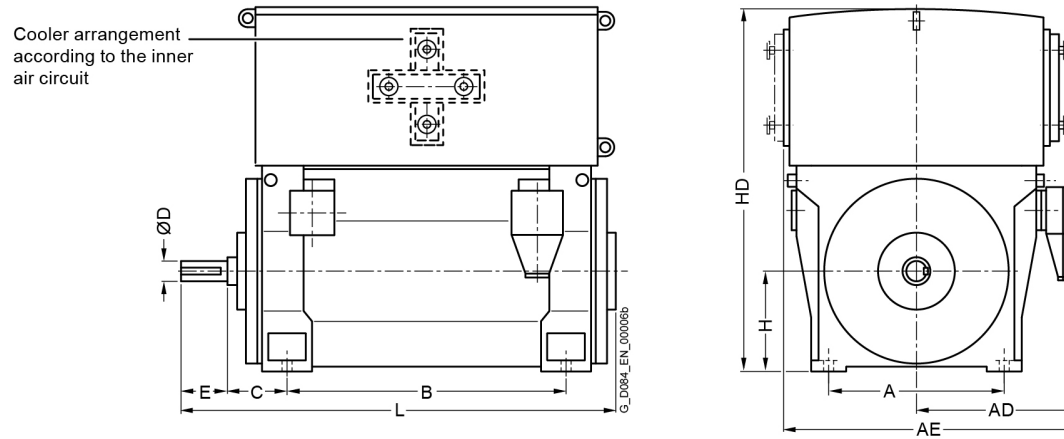
Innomotics HV M - 1SQ. IC81W 11000 V / 50 Hz B3 (IM 1001)																		
Rated power IEC	Article No.	Speed	Rated current I_R	Efficiency				Power factor				Torque T_R	Breakdown torque T_B/ T_R	Locked rotor torque T_{LR}/ T_R	Locked rotor current I_{LR}/ I_R	Inertia		
				5/4 load	4/4 load	3/4 load	2/4 load	5/4 load	4/4 load	3/4 load	2/4 load					motor	external	Startup max T/TR
kW		rpm	A	%	%	%	%	cos φ	cos φ	cos φ	cos φ	Nm	[-]	[-]	[-]	kgm ²	kgm ²	[-]
1430	1SQ7 454-4NA90-0A.0	1485	89	95.0	95.8	96.1	96.1	0.88	0.88	0.84	0.76	9196	2.60	0.80	6.0	19	315	o.r.
1480	1SQ7 454-4NA90-0C.0	1486	92	95.2	95.9	96.3	96.3	0.88	0.88	0.86	0.79	9511	2.35	0.55	5.3	25	300	o.r.
1650	1SQ7 457-4NA90-0A.0	1486	102	95.5	96.1	96.4	96.3	0.88	0.88	0.84	0.76	10603	2.85	0.90	6.5	22	430	o.r.
1750	1SQ7 457-4NA90-0C.0	1488	108	95.6	96.3	96.5	96.5	0.88	0.89	0.86	0.80	11231	2.55	0.60	5.8	30	380	o.r.
1830	1SQ7 458-4NA90-0A.0	1486	114	95.6	96.2	96.5	96.3	0.88	0.88	0.83	0.74	11760	2.95	0.95	6.5	24	450	o.r.
1900	1SQ7 458-4NA90-0C.0	1489	116	95.8	96.4	96.6	96.5	0.88	0.89	0.85	0.78	12185	2.70	0.65	6.0	32	430	o.r.
2100	1SQ7 503-4NA90-0A.0	1486	128	95.7	96.4	96.9	97.0	0.88	0.90	0.88	0.85	13495	2.30	0.80	5.2	37	450	o.r.
2150	1SQ7 503-4NA90-0C.0	1487	132	95.8	96.5	97.0	97.0	0.88	0.89	0.89	0.86	13807	2.25	0.60	4.7	45	565	o.r.
2450	1SQ7 504-4NA90-0A.0	1488	152	96.1	96.6	96.9	96.8	0.88	0.88	0.85	0.77	15723	2.70	0.95	6.0	40	605	o.r.
2450	1SQ7 504-4NA90-0C.0	1489	152	96.2	96.7	97.0	96.7	0.86	0.87	0.84	0.77	15712	2.40	0.55	4.9	49	695	o.r.
2600	1SQ7 507-4NA90-0A.0	1485	156	95.9	96.6	97.1	97.2	0.89	0.90	0.89	0.87	16719	2.25	0.80	5.2	46	505	o.r.
2630	1SQ7 507-4NA90-0C.0	1488	158	96.1	96.8	97.2	97.2	0.88	0.90	0.90	0.87	16878	2.30	0.60	4.8	56	770	o.r.
2850	1SQ7 508-4NA90-0A.0	1487	172	96.2	96.7	97.2	97.2	0.89	0.90	0.89	0.85	18302	2.50	0.90	5.7	50	615	o.r.
2850	1SQ7 508-4NA90-0C.0	1489	172	96.3	96.9	97.2	97.2	0.89	0.90	0.89	0.86	18278	2.40	0.65	5.2	62	740	o.r.
3180	1SQ7 562-4NA90-0C.0	1496	196	96.2	96.7	97.2	97.2	0.86	0.88	0.87	0.84	20299	2.00	0.60	4.8	74	815	o.r.
3500	1SQ7 563-4NA90-0C.0	1489	216	96.2	96.8	97.2	97.3	0.86	0.88	0.88	0.85	22446	2.00	0.60	4.9	80	840	o.r.
3900	1SQ7 564-4NA90-0C.0	1490	237	96.4	96.9	97.4	97.4	0.87	0.89	0.89	0.87	24995	2.10	0.60	5.0	90	935	o.r.
4400	1SQ7 566-4NA90-0C.0	1489	268	96.5	97.0	97.5	97.6	0.88	0.89	0.90	0.88	28218	2.05	0.60	4.9	100	1020	o.r.
4800	1SQ7 567-4NA90-0C.0	1490	288	96.6	97.1	97.6	97.6	0.88	0.90	0.90	0.88	30763	2.10	0.65	5.1	110	1115	o.r.
5200	1SQ7 568-4NA90-0C.0	1491	312	96.8	97.3	97.6	97.7	0.89	0.90	0.90	0.88	33304	2.25	0.70	5.5	119	1185	o.r.
5900	1SQ8 633-4NA90-0C.0	1490	360	96.8	97.3	97.5	97.4	0.87	0.89	0.88	0.85	37813	2.15	0.50	5.2	151	740	o.r.
6400	1SQ8 634-4NA90-0C.0	1491	390	96.8	97.3	97.5	97.3	0.88	0.89	0.88	0.85	40990	2.25	0.50	5.5	166	860	o.r.
7200	1SQ8 637-4NA90-0C.0	1491	430	97.0	97.4	97.6	97.5	0.88	0.90	0.89	0.85	46113	2.35	0.60	5.6	182	860	o.r.
8200	1SQ8 638-4NA90-0C.0	1491	495	97.1	97.5	97.7	97.5	0.88	0.89	0.88	0.85	52518	2.35	0.60	5.6	198	900	o.r.
8600	1SQ8 712-4NA90-0C.0	1491	520	97.0	97.4	97.6	97.4	0.88	0.89	0.88	0.85	55080	2.35	0.50	5.6	259	870	o.r.
9300	1SQ8 713-4NA90-0C.0	1492	560	97.1	97.5	97.7	97.5	0.89	0.90	0.89	0.86	59523	2.40	0.50	5.7	284	960	o.r.
10000	1SQ8 714-4NA90-0C.0	1492	600	97.2	97.6	97.7	97.6	0.89	0.90	0.89	0.85	64003	2.55	0.55	6.0	312	1080	o.r.
11500	1SQ8 717-4NA90-0C.0	1492	690	97.3	97.7	97.8	97.6	0.90	0.90	0.89	0.85	73604	2.60	0.55	6.0	346	1100	o.r.
11900	1SQ8 718-4NA90-0C.0	1493	710	97.4	97.7	97.8	97.6	0.89	0.90	0.89	0.85	76113	2.60	0.55	6.0	364	1240	o.r.
6-pole: n _{sync} = 1000 rpm at 50 Hz																		
930	1SQ7 452-6NA90-0A.0	990	62	94.1	95.1	95.5	95.6	0.83	0.83	0.79	0.68	8971	2.35	0.85	5.5	20	325	o.r.
1050	1SQ7 453-6NA90-0A.0	991	70	94.4	95.2	95.6	95.5	0.83	0.83	0.76	0.64	10118	2.50	0.85	5.5	22	410	o.r.
1100	1SQ7 453-6NA90-0C.0	990	71	94.3	95.2	95.7	95.8	0.84	0.85	0.81	0.73	10610	2.35	0.70	5.5	30	510	o.r.
1160	1SQ7 454-6NA90-0A.0	991	77	94.6	95.4	95.8	95.7	0.84	0.83	0.77	0.66	11178	2.50	0.85	5.5	24	465	o.r.
1200	1SQ7 454-6NA90-0C.0	990	78	94.5	95.4	95.9	96.0	0.85	0.85	0.82	0.74	11575	2.35	0.70	5.4	33	600	o.r.
1290	1SQ7 457-6NA90-0A.0	991	84	94.8	95.6	96.0	96.0	0.84	0.84	0.80	0.70	12430	2.50	0.85	5.5	28	535	o.r.
1300	1SQ7 457-6NA90-0C.0	990	83	94.8	95.6	96.1	96.2	0.86	0.86	0.83	0.76	12539	2.40	0.70	5.5	36	745	o.r.

Innomotics HV M - 1SQ. IC81W 11000 V / 50 Hz B3 (IM 1001)																		
Rated power IEC	Article No.	Speed	Rated current I_R	Efficiency				Power factor				Torque T_R	Breakdown torque T_B/ T_R	Locked rotor torque T_{LR}/ T_R	Locked rotor current I_{LR}/ I_R	Inertia		
				5/4 load	4/4 load	3/4 load	2/4 load	5/4 load	4/4 load	3/4 load	2/4 load					motor	external	Startup max T/TR
kW		rpm	A	%	%	%	%	cos φ	cos φ	cos φ	cos φ	Nm	[-]	[-]	[-]	kgm ²	kgm ²	[-]
1400	1SQ7 458-6NA90-0A.0	991	89	95.0	95.8	96.2	96.2	0.85	0.86	0.81	0.72	13490	2.50	0.90	5.7	31	610	o.r.
1420	1SQ7 458-6NA90-0C.0	991	89	95.0	95.8	96.2	96.3	0.86	0.87	0.84	0.77	13683	2.45	0.70	5.5	41	805	o.r.
1650	1SQ7 502-6NA90-0C.0	992	106	95.4	96.2	96.6	96.6	0.84	0.85	0.83	0.76	15883	2.25	0.70	4.6	54	930	o.r.
1550	1SQ7 502-6NA90-0A.0	991	99	95.1	95.9	96.4	96.5	0.85	0.86	0.83	0.75	14936	2.20	0.90	4.7	42	630	o.r.
1850	1SQ7 503-6NA90-0C.0	992	118	95.6	96.3	96.7	96.7	0.84	0.86	0.83	0.76	17809	2.30	0.75	4.7	60	1100	o.r.
1700	1SQ7 503-6NA90-0A.0	991	108	95.2	96.0	96.5	96.7	0.85	0.86	0.84	0.77	16381	2.25	0.90	4.8	46	730	o.r.
1850	1SQ7 504-6NA90-0A.0	991	118	95.5	96.2	96.6	96.7	0.85	0.86	0.83	0.75	17827	2.35	0.95	5.0	51	850	o.r.
2000	1SQ7 504-6NA90-0C.0	992	126	95.8	96.4	96.8	96.8	0.85	0.86	0.83	0.76	19253	2.35	0.70	4.8	66	1300	o.r.
2240	1SQ7 507-6NA90-0C.0	993	144	96.0	96.6	96.9	96.9	0.84	0.85	0.82	0.74	21541	2.40	0.70	4.8	74	1550	o.r.
2000	1SQ7 507-6NA90-0A.0	992	126	95.7	96.4	96.7	96.8	0.86	0.86	0.83	0.74	19253	2.50	1.05	5.3	58	1000	o.r.
2240	1SQ7 508-6NA90-0A.0	992	144	95.9	96.5	96.8	96.7	0.85	0.85	0.80	0.69	21563	2.70	1.10	5.7	63	1180	o.r.
2500	1SQ7 561-6NA90-0C.0	992	160	95.7	96.3	96.6	96.5	0.84	0.85	0.84	0.78	24066	2.30	0.60	5.1	96	1060	o.r.
2900	1SQ7 562-6NA90-0C.0	993	188	96.0	96.6	96.7	96.6	0.84	0.84	0.82	0.75	27888	2.40	0.65	5.3	105	1370	o.r.
3150	1SQ7 563-6NA90-0C.0	993	200	96.1	96.6	96.8	96.7	0.84	0.85	0.83	0.75	30292	2.45	0.65	5.3	112	1280	o.r.
3550	1SQ7 567-6NA90-0C.0	994	225	96.4	96.8	96.9	96.8	0.85	0.86	0.83	0.76	34105	2.60	0.70	5.7	134	1630	o.r.
3850	1SQ7 568-6NA90-0C.0	994	240	96.5	97.0	97.1	96.9	0.86	0.86	0.84	0.78	36987	2.60	0.70	5.8	150	1890	o.r.
4450	1SQ8 632-6NA90-0C.0	992	280	96.3	96.8	97.1	96.9	0.85	0.86	0.83	0.75	42837	2.30	0.60	5.2	193	2370	o.r.
4650	1SQ8 633-6NA90-0C.0	992	295	96.4	96.9	97.2	96.9	0.85	0.86	0.83	0.75	44762	2.30	0.55	5.3	209	2660	o.r.
5200	1SQ8 634-6NA90-0C.0	992	325	96.5	97.0	97.3	97.1	0.85	0.87	0.84	0.78	50057	2.20	0.55	5.1	227	2800	o.r.
5600	1SQ8 637-6NA90-0C.0	992	350	96.5	97.0	97.3	97.2	0.85	0.87	0.85	0.78	53907	2.20	0.56	5.2	247	3110	o.r.
6100	1SQ8 638-6NA90-0C.0	992	380	96.6	97.1	97.4	97.2	0.86	0.87	0.85	0.78	58720	2.25	0.55	5.2	265	3300	o.r.
6600	1SQ8 712-6NA90-0C.0	993	410	96.8	97.3	97.5	97.4	0.85	0.87	0.85	0.79	63470	2.20	0.55	5.2	331	2710	o.r.
7250	1SQ8 713-6NA90-0C.0	994	450	97.0	97.4	97.6	97.5	0.86	0.87	0.85	0.79	69650	2.35	0.60	5.5	374	3180	o.r.
8250	1SQ8 714-6NA90-0C.0	994	500	97.1	97.5	97.7	97.5	0.87	0.88	0.85	0.79	79257	2.40	0.60	5.5	424	3530	o.r.
9350	1SQ8 717-6NA90-0C.0	994	570	97.1	97.6	97.8	97.6	0.87	0.88	0.86	0.80	89825	2.35	0.55	5.5	478	3930	o.r.
10400	1SQ8 718-6NA90-0C.0	995	640	97.3	97.6	97.8	97.6	0.86	0.87	0.84	0.76	99812	2.45	0.55	5.5	522	4410	o.r.
8-pole: $n_{sync} = 750$ rpm at 50 Hz																		
580	1SQ7 451-8NA90-0A.0	743	43	93.5	94.4	94.5	94.0	0.78	0.75	0.66	0.49	7454	2.50	0.80	5.5	23	500	o.r.
620	1SQ7 451-8NA90-0C.0	743	44	93.5	94.5	94.8	94.4	0.81	0.79	0.71	0.56	7968	2.70	0.75	5.5	30	560	o.r.
680	1SQ7 452-8NA90-0A.0	743	48	93.5	94.6	94.9	94.7	0.80	0.78	0.71	0.56	8740	2.50	0.80	5.5	25	510	o.r.
700	1SQ7 452-8NA90-0C.0	743	48	93.6	94.7	95.1	94.9	0.82	0.80	0.74	0.60	8997	2.60	0.70	5.5	32	630	o.r.
800	1SQ7 453-8NA90-0A.0	743	57	94.0	94.9	95.2	94.9	0.79	0.78	0.69	0.53	10282	2.50	0.85	5.5	28	730	o.r.
800	1SQ7 453-8NA90-0C.0	743	55	94.2	95.1	95.4	95.1	0.81	0.80	0.72	0.57	10282	2.70	0.75	5.5	36	1000	o.r.
860	1SQ7 454-8NA90-0A.0	743	60	94.2	95.1	95.4	95.2	0.81	0.79	0.72	0.57	11053	2.45	0.85	5.5	31	800	o.r.
880	1SQ7 454-8NA90-0C.0	743	60	94.3	95.2	95.5	95.4	0.82	0.81	0.75	0.61	11310	2.70	0.75	5.5	40	1000	o.r.
940	1SQ7 457-8NA90-0A.0	743	65	94.3	95.2	95.6	95.5	0.82	0.80	0.74	0.61	12081	2.40	0.85	5.5	35	920	o.r.
950	1SQ7 457-8NA90-0C.0	743	64	94.4	95.3	95.7	95.5	0.83	0.82	0.76	0.63	12210	2.70	0.75	5.5	45	1200	o.r.

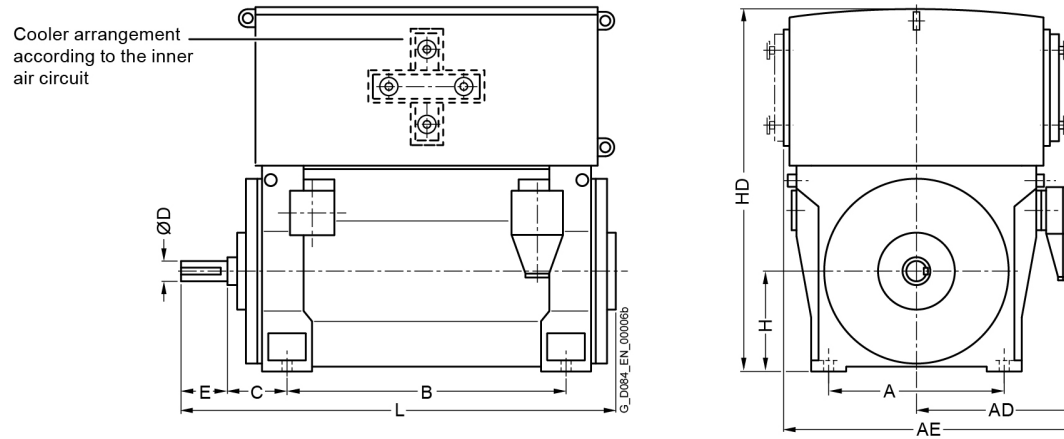
Innomotics HV M - 1SQ. IC81W 11000 V / 50 Hz B3 (IM 1001)																			
Rated power IEC	Article No.	Speed	Rated current I_R	Efficiency				Power factor				Torque T_R	Breakdown torque T_B/ T_R	Locked torque T_{LR}/ T_R	Locked rotor current I_{LR}/ I_R	Inertia			
				5/4 load	4/4 load	3/4 load	2/4 load	5/4 load	4/4 load	3/4 load	2/4 load					motor	external	Startup max T/TR	
kW		rpm	A	%	%	%	%	$\cos \varphi$	$\cos \varphi$	$\cos \varphi$	$\cos \varphi$	Nm	[-]	[-]	[-]	kgm ²	kgm ²	[-]	
1020	1SQ7 458-8NA90-0A.0	743	69	94.4	95.4	95.7	95.6	0.82	0.81	0.75	0.61	13109	2.40	0.85	5.5	39	1050	o.r.	
1030	1SQ7 458-8NA90-0C.0	743	69	94.6	95.5	95.8	95.6	0.83	0.82	0.76	0.64	13238	2.75	0.80	5.6	50	1350	o.r.	
1120	1SQ7 502-8NA90-0A.0	744	77	95.1	95.7	96.2	96.2	0.81	0.80	0.78	0.69	14375	2.25	0.80	4.5	46	1370	o.r.	
1200	1SQ7 502-8NA90-0C.0	743	81	95.0	95.7	96.2	96.2	0.82	0.81	0.78	0.70	15423	2.25	0.60	4.2	59	2010	o.r.	
1220	1SQ7 503-8NA90-0A.0	743	81	95.1	95.8	96.3	96.4	0.82	0.83	0.79	0.71	15680	2.15	0.75	4.4	51	1440	o.r.	
1360	1SQ7 503-8NA90-0C.0	743	90	95.0	95.8	96.3	96.4	0.82	0.83	0.80	0.72	17479	2.15	0.55	4.0	65	1910	o.r.	
1480	1SQ7 504-8NA90-0A.0	743	99	95.2	96.0	96.4	96.5	0.82	0.82	0.79	0.70	19021	2.15	0.80	4.3	56	1760	o.r.	
1500	1SQ7 504-8NA90-0C.0	743	99	95.2	96.0	96.5	96.6	0.82	0.83	0.80	0.73	19279	2.15	0.55	4.1	72	2190	o.r.	
1640	1SQ7 507-8NA90-0A.0	743	108	95.4	96.1	96.5	96.6	0.82	0.83	0.79	0.71	21078	2.15	0.80	4.4	63	2030	o.r.	
1700	1SQ7 507-8NA90-0C.0	743	110	95.3	96.1	96.6	96.7	0.82	0.84	0.81	0.73	21849	2.15	0.60	4.1	80	2360	o.r.	
1780	1SQ7 508-8NA90-0A.0	744	118	95.6	96.2	96.5	96.5	0.82	0.82	0.77	0.68	22846	2.30	0.90	4.7	69	2270	o.r.	
1820	1SQ7 508-8NA90-0C.0	743	120	95.6	96.2	96.6	96.6	0.83	0.83	0.80	0.71	23391	2.35	0.65	4.4	88	2710	o.r.	
2000	1SQ7 563-8NA90-0C.0	744	134	95.5	96.0	96.5	96.3	0.82	0.82	0.80	0.73	25670	2.10	0.60	4.6	124	2685	o.r.	
2240	1SQ7 564-8NA90-0C.0	744	150	95.6	96.1	96.5	96.3	0.82	0.82	0.80	0.72	28751	2.20	0.60	4.8	137	2725	o.r.	
2500	1SQ7 567-8NA90-0C.0	744	164	95.8	96.3	96.8	96.6	0.82	0.83	0.81	0.75	32088	2.05	0.60	4.5	150	3865	o.r.	
2800	1SQ7 568-8NA90-0C.0	744	184	95.9	96.4	96.9	96.7	0.82	0.83	0.81	0.75	35938	2.05	0.55	4.5	165	5105	o.r.	
3100	1SQ8 633-8NA90-0C.0	743	200	95.4	96.1	96.3	96.1	0.84	0.85	0.81	0.74	39842	2.00	0.45	4.5	216	2690	o.r.	
3500	1SQ8 634-8NA90-0C.0	744	225	95.6	96.2	96.4	96.1	0.85	0.85	0.81	0.73	44923	2.10	0.50	4.5	251	2830	o.r.	
4000	1SQ8 637-8NA90-0C.0	744	255	96.0	96.5	96.5	96.2	0.85	0.85	0.81	0.72	51340	2.30	0.50	5.0	292	5000	o.r.	
4250	1SQ8 638-8NA90-0C.0	744	270	96.2	96.6	96.7	96.3	0.86	0.86	0.81	0.72	54549	2.40	0.55	5.2	326	6200	o.r.	
4300	1SQ8 712-8NA90-0C.0	746	275	96.2	96.6	96.6	96.2	0.86	0.85	0.80	0.69	55043	2.60	0.60	5.5	422	2890	o.r.	
4850	1SQ8 713-8NA90-0C.0	746	310	96.4	96.7	96.7	96.2	0.86	0.85	0.79	0.68	62083	2.55	0.60	5.4	471	3510	o.r.	
5550	1SQ8 714-8NA90-0C.0	746	355	96.5	96.8	96.8	96.3	0.86	0.85	0.79	0.68	71044	2.60	0.60	5.5	538	3900	o.r.	
6500	1SQ8 717-8NA90-0C.0	746	415	96.7	97.0	96.9	96.5	0.86	0.85	0.79	0.69	83204	2.60	0.50	5.5	615	5400	o.r.	
6700	1SQ8 718-8NA90-0C.0	746	430	96.8	97.1	96.9	96.4	0.85	0.84	0.78	0.67	85764	2.60	0.50	5.4	674	6570	o.r.	



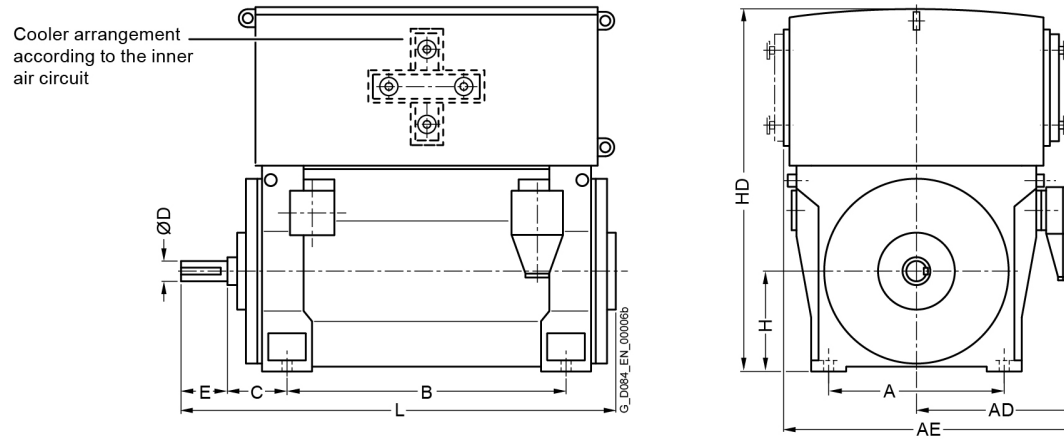
Motor type	Weight	Dimensions											
		A	AD	AE	B	C	D	E	H	HD	L	ML	
	kg	mm	mm	mm	mm	mm	mm	mm	mm	mm	mm	mm	mm
Innomotics HV M - 1SQ. IC81W 11000 V / 50 Hz B3 (IM 1001) - Dimension drawings													
2-pole													
1SQ7 452-2NA90-0AA0	4100	850	1140	1760	1180	250	95	130	450	1650	1840	o.r.	
1SQ7 452-2NA90-0AC0	3950	850	1140	1760	1180	475	95	130	450	1650	2270	o.r.	
1SQ7 453-2NA90-0AA0	4200	850	1140	1760	1180	250	95	130	450	1650	1840	o.r.	
1SQ7 453-2NA90-0AC0	4100	850	1140	1760	1180	475	95	130	450	1650	2270	o.r.	
1SQ7 453-2NA90-0CA0	4350	850	1140	1760	1180	250	95	130	450	1650	1840	o.r.	
1SQ7 453-2NA90-0CC0	4250	850	1140	1760	1180	475	95	130	450	1650	2270	o.r.	
1SQ7 454-2NA90-0AA0	4300	850	1140	1760	1180	250	95	130	450	1650	1840	o.r.	
1SQ7 454-2NA90-0AC0	4200	850	1140	1760	1180	475	95	130	450	1650	2270	o.r.	
1SQ7 454-2NA90-0CA0	4450	850	1140	1760	1180	250	95	130	450	1650	1840	o.r.	
1SQ7 454-2NA90-0CC0	4350	850	1140	1760	1180	475	95	130	450	1650	2270	o.r.	
1SQ7 457-2NA90-0AA0	4700	850	1140	1760	1400	250	95	130	450	1650	2050	o.r.	
1SQ7 457-2NA90-0AC0	4600	850	1140	1760	1400	475	95	130	450	1650	2480	o.r.	
1SQ7 457-2NA90-0CA0	4850	850	1140	1760	1400	250	95	130	450	1650	2050	o.r.	
1SQ7 457-2NA90-0CC0	4750	850	1140	1760	1400	475	95	130	450	1650	2480	o.r.	
1SQ7 458-2NA90-0AA0	4900	850	1140	1760	1400	250	95	130	450	1650	2050	o.r.	
1SQ7 458-2NA90-0AC0	4800	850	1140	1760	1400	475	95	130	450	1650	2480	o.r.	
1SQ7 458-2NA90-0CA0	5050	850	1140	1760	1400	250	95	130	450	1650	2050	o.r.	
1SQ7 458-2NA90-0CC0	4950	850	1140	1760	1400	475	95	130	450	1650	2480	o.r.	
1SQ7 503-2NA90-0CA0	5850	950	1220	1920	1320	250	110	165	500	1790	1960	o.r.	
1SQ7 503-2NA90-0CC0	5750	950	1220	1920	1320	530	120	165	500	1790	2510	o.r.	
1SQ7 503-2NA90-0AA0	5700	950	1220	1920	1320	250	110	165	500	1790	1960	o.r.	
1SQ7 503-2NA90-0AC0	5650	950	1220	1920	1320	530	120	165	500	1790	2510	o.r.	



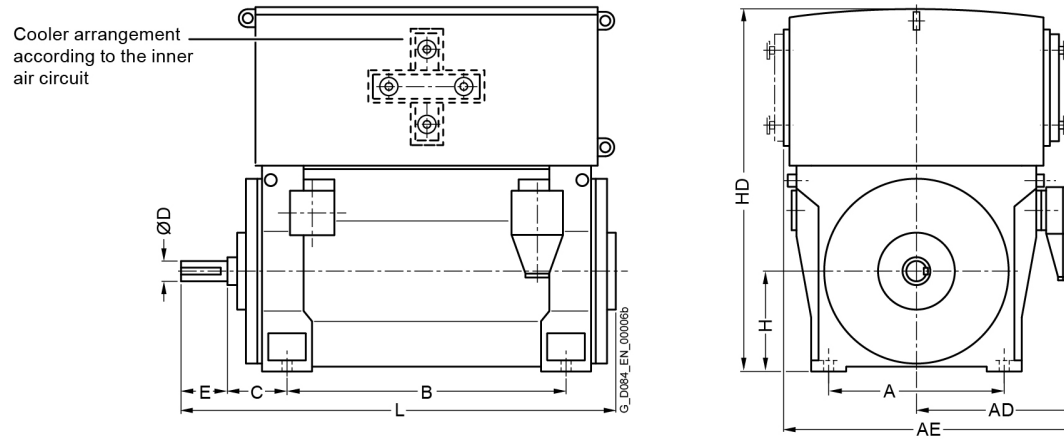
Motor type	Weight	Dimensions											
		A	AD	AE	B	C	D	E	H	HD	L	ML	
	kg	mm	mm	mm	mm	mm	mm	mm	mm	mm	mm	mm	mm
Innomotics HV M - 1SQ. IC81W 11000 V / 50 Hz B3 (IM 1001) - Dimension drawings													
1SQ7 504-2NA90-0CA0	5950	950	1220	1920	1320	250	110	165	500	1790	1960	o.r.	
1SQ7 504-2NA90-0CC0	5900	950	1220	1920	1320	530	120	165	500	1790	2510	o.r.	
1SQ7 504-2NA90-0AA0	5800	950	1220	1920	1320	250	110	165	500	1790	1960	o.r.	
1SQ7 504-2NA90-0AC0	5750	950	1220	1920	1320	530	120	165	500	1790	2510	o.r.	
1SQ7 507-2NA90-0CA0	6600	950	1220	1920	1500	250	110	165	500	1790	2170	o.r.	
1SQ7 507-2NA90-0CC0	6550	950	1220	1920	1500	530	120	165	500	1790	2720	o.r.	
1SQ7 507-2NA90-0AA0	6450	950	1220	1920	1500	250	110	165	500	1790	2170	o.r.	
1SQ7 507-2NA90-0AC0	6350	950	1220	1920	1500	530	120	165	500	1790	2720	o.r.	
1SQ7 508-2NA90-0CA0	6950	950	1220	1920	1500	250	110	165	500	1790	2170	o.r.	
1SQ7 508-2NA90-0CC0	6900	950	1220	1920	1500	530	120	165	500	1790	2720	o.r.	
1SQ7 508-2NA90-0AA0	6750	950	1220	1920	1500	250	110	165	500	1790	2170	o.r.	
1SQ7 508-2NA90-0AC0	6700	950	1220	1920	1500	530	120	165	500	1790	2720	o.r.	
1SQ7 562-2NA90-0CC0	7550	1060	1290	2060	1400	600	150	200	560	1970	2810	o.r.	
1SQ7 563-2NA90-0CC0	7800	1060	1290	2060	1400	600	150	200	560	1970	2810	o.r.	
1SQ7 564-2NA90-0CC0	8050	1060	1290	2060	1400	600	150	200	560	1970	2810	o.r.	
1SQ7 567-2NA90-0CC0	8850	1060	1290	2060	1600	600	150	200	560	1970	3040	o.r.	
1SQ7 568-2NA90-0CC0	9400	1060	1290	2060	1600	600	150	200	560	1970	3040	o.r.	
1SQ8 632-2NA90-0CJ0	9150	1320	1520	2520	1600	560	160	240	630	2250	2890	o.r.	
1SQ8 633-2NA90-0CJ0	9650	1320	1520	2520	1600	560	160	240	630	2250	2890	o.r.	
1SQ8 634-2NA90-0CJ0	10050	1320	1520	2520	1600	560	160	240	630	2250	2890	o.r.	
1SQ8 637-2NA90-0CJ0	10950	1320	1520	2520	1800	560	160	240	630	2250	3090	o.r.	
1SQ8 638-2NA90-0CJ0	11550	1320	1520	2520	1800	560	160	240	630	2250	3090	o.r.	
1SQ8 712-2NA90-0CJ0	13000	1500	1620	2720	2000	560	180	240	710	2550	3280	o.r.	



Motor type	Weight kg	Dimensions										
		A mm	AD mm	AE mm	B mm	C mm	D mm	E mm	H mm	HD mm	L mm	ML mm
Innomotics HV M - 1SQ. IC81W 11000 V / 50 Hz B3 (IM 1001) - Dimension drawings												
1SQ8 713-2NA90-0CJ0	13450	1500	1620	2720	2000	560	180	240	710	2550	3280	o.r.
1SQ8 714-2NA90-0CJ0	14100	1500	1620	2720	2000	560	180	240	710	2550	3280	o.r.
1SQ8 716-2NA90-0CJ0	15200	1500	1620	2720	2240	560	180	240	710	2460	3520	o.r.
1SQ8 717-2NA90-0CJ0	16000	1500	1620	2720	2240	560	180	240	710	2460	3520	o.r.
1SQ8 718-2NA90-0CJ0	17250	1500	1620	2720	2240	560	180	240	710	2460	3520	o.r.
4-pole												
1SQ7 453-4NA90-0CA0	4400	850	1140	1760	1180	250	130	200	450	1740	1920	o.r.
1SQ7 453-4NA90-0CC0	4450	850	1140	1760	1180	500	130	200	450	1740	2390	o.r.
1SQ7 453-4NA90-0AA0	4300	850	1140	1760	1180	250	130	200	450	1740	1920	o.r.
1SQ7 453-4NA90-0AC0	4300	850	1140	1760	1180	500	130	200	450	1740	2390	o.r.
1SQ7 454-4NA90-0AA0	4450	850	1140	1760	1180	250	130	200	450	1740	1920	o.r.
1SQ7 454-4NA90-0AC0	4450	850	1140	1760	1180	500	130	200	450	1740	2390	o.r.
1SQ7 454-4NA90-0CA0	4600	850	1140	1760	1180	250	130	200	450	1740	1920	o.r.
1SQ7 454-4NA90-0CC0	4600	850	1140	1760	1180	500	130	200	450	1740	2390	o.r.
1SQ7 457-4NA90-0AA0	5000	850	1140	1760	1400	250	130	200	450	1740	2130	o.r.
1SQ7 457-4NA90-0AC0	5050	850	1140	1760	1400	500	130	200	450	1740	2600	o.r.
1SQ7 457-4NA90-0CA0	5200	850	1140	1760	1400	250	130	200	450	1740	2130	o.r.
1SQ7 457-4NA90-0CC0	5200	850	1140	1760	1400	500	130	200	450	1740	2600	o.r.
1SQ7 458-4NA90-0AA0	5200	850	1140	1760	1400	250	130	200	450	1740	2130	o.r.
1SQ7 458-4NA90-0AC0	5250	850	1140	1760	1400	500	130	200	450	1740	2600	o.r.
1SQ7 458-4NA90-0CA0	5400	850	1140	1760	1400	250	130	200	450	1740	2130	o.r.
1SQ7 458-4NA90-0CC0	5450	850	1140	1760	1400	500	130	200	450	1740	2600	o.r.
1SQ7 503-4NA90-0AA0	6000	950	1220	1920	1320	315	160	240	500	1790	2180	o.r.

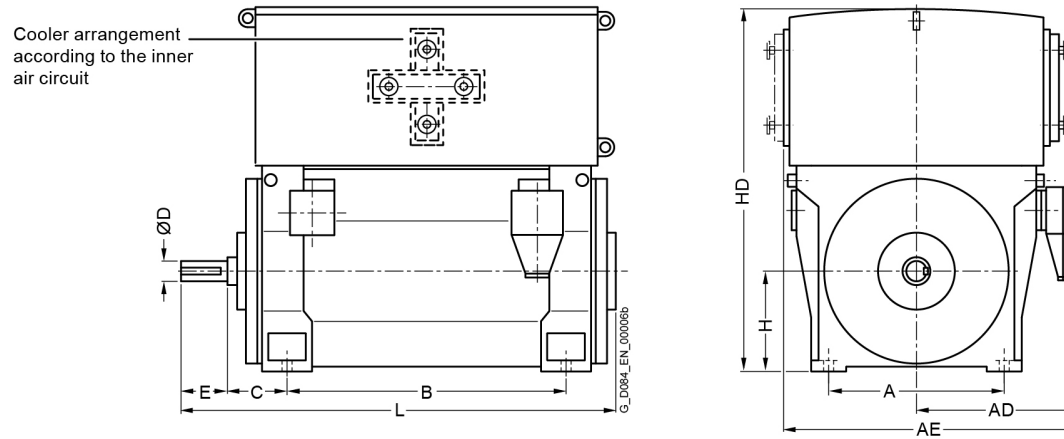


Motor type	Weight	Dimensions										
		A	AD	AE	B	C	D	E	H	HD	L	ML
	kg	mm	mm	mm	mm	mm	mm	mm	mm	mm	mm	mm
Innomotics HV M - 1SQ. IC81W 11000 V / 50 Hz B3 (IM 1001) - Dimension drawings												
1SQ7 503-4NA90-0AC0	6050	950	1220	1920	1320	560	170	240	500	1790	2620	o.r.
1SQ7 503-4NA90-0CA0	6150	950	1220	1920	1320	315	160	240	500	1790	2180	o.r.
1SQ7 503-4NA90-0CC0	6200	950	1220	1920	1320	560	170	240	500	1790	2620	o.r.
1SQ7 504-4NA90-0AA0	6250	950	1220	1920	1320	315	160	240	500	1790	2180	o.r.
1SQ7 504-4NA90-0AC0	6350	950	1220	1920	1320	560	170	240	500	1790	2620	o.r.
1SQ7 504-4NA90-0CA0	6400	950	1220	1920	1320	315	160	240	500	1790	2180	o.r.
1SQ7 504-4NA90-0CC0	6500	950	1220	1920	1320	560	170	240	500	1790	2620	o.r.
1SQ7 507-4NA90-0AA0	6900	950	1220	1920	1500	315	160	240	500	1790	2390	o.r.
1SQ7 507-4NA90-0AC0	7000	950	1220	1920	1500	560	170	240	500	1790	2830	o.r.
1SQ7 507-4NA90-0CA0	7050	950	1220	1920	1500	315	160	240	500	1790	2390	o.r.
1SQ7 507-4NA90-0CC0	7150	950	1220	1920	1500	560	170	240	500	1790	2830	o.r.
1SQ7 508-4NA90-0AA0	7200	950	1220	1920	1500	315	160	240	500	1790	2390	o.r.
1SQ7 508-4NA90-0AC0	7300	950	1220	1920	1500	560	170	240	500	1790	2830	o.r.
1SQ7 508-4NA90-0CA0	7400	950	1220	1920	1500	315	160	240	500	1790	2390	o.r.
1SQ7 508-4NA90-0CC0	7450	950	1220	1920	1500	560	170	240	500	1790	2830	o.r.
1SQ7 562-4NA90-0CA0	7650	1060	1290	2060	1400	335	190	280	560	1970	2390	o.r.
1SQ7 562-4NA90-0CC0	7750	1060	1290	2060	1400	600	190	280	560	1970	2850	o.r.
1SQ7 563-4NA90-0CA0	7900	1060	1290	2060	1400	335	190	280	560	1970	2390	o.r.
1SQ7 563-4NA90-0CC0	7950	1060	1290	2060	1400	600	190	280	560	1970	2850	o.r.
1SQ7 564-4NA90-0CA0	8300	1060	1290	2060	1400	335	190	280	560	1970	2390	o.r.
1SQ7 564-4NA90-0CC0	8400	1060	1290	2060	1400	600	190	280	560	1970	2850	o.r.
1SQ7 566-4NA90-0CA0	9150	1060	1290	2060	1600	335	190	280	560	1970	2620	o.r.
1SQ7 566-4NA90-0CC0	9200	1060	1290	2060	1600	600	190	280	560	1970	3080	o.r.

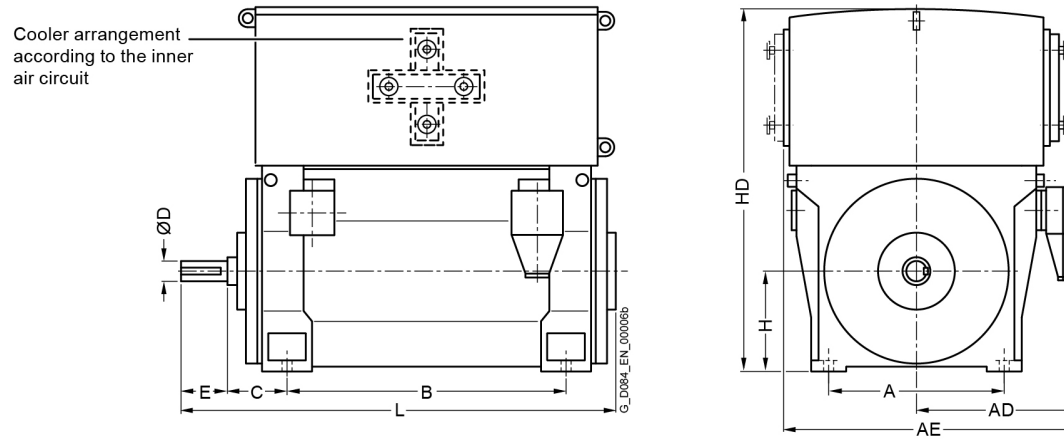


Motor type	Weight	Dimensions											
		A	AD	AE	B	C	D	E	H	HD	L	ML	
	kg	mm	mm	mm	mm	mm	mm	mm	mm	mm	mm	mm	mm
Innomotics HV M - 1SQ. IC81W 11000 V / 50 Hz B3 (IM 1001) - Dimension drawings													
1SQ7 567-4NA90-0CA0	9550	1060	1290	2060	1600	335	190	280	560	1970	2620	o.r.	
1SQ7 567-4NA90-0CC0	9650	1060	1290	2060	1600	600	190	280	560	1970	3080	o.r.	
1SQ7 568-4NA90-0CA0	10000	1060	1290	2060	1600	335	190	280	560	1970	2620	o.r.	
1SQ7 568-4NA90-0CC0	10050	1060	1290	2060	1600	600	190	280	560	1970	3080	o.r.	
1SQ8 633-4NA90-0CG0	10400	1320	1520	2520	1600	375	200	280	630	2250	2610	o.r.	
1SQ8 633-4NA90-0CJ0	10500	1320	1520	2520	1600	630	200	280	630	2250	3090	o.r.	
1SQ8 634-4NA90-0CG0	10800	1320	1520	2520	1600	375	200	280	630	2250	2610	o.r.	
1SQ8 634-4NA90-0CJ0	10900	1320	1520	2520	1600	630	200	280	630	2250	3090	o.r.	
1SQ8 637-4NA90-0CG0	11650	1320	1520	2520	1800	375	200	280	630	2250	2810	o.r.	
1SQ8 637-4NA90-0CJ0	11750	1320	1520	2520	1800	630	200	280	630	2250	3290	o.r.	
1SQ8 638-4NA90-0CG0	12300	1320	1520	2520	1800	375	200	280	630	2250	2810	o.r.	
1SQ8 638-4NA90-0CJ0	12400	1320	1520	2520	1800	630	200	280	630	2250	3290	o.r.	
1SQ8 712-4NA90-0CG0	13950	1500	1620	2720	2000	375	220	280	710	2550	3010	o.r.	
1SQ8 712-4NA90-0CJ0	14100	1500	1620	2720	2000	630	220	280	710	2550	3480	o.r.	
1SQ8 713-4NA90-0CG0	14700	1500	1620	2720	2000	375	220	280	710	2550	3010	o.r.	
1SQ8 713-4NA90-0CJ0	14800	1500	1620	2720	2000	630	220	280	710	2550	3480	o.r.	
1SQ8 714-4NA90-0CG0	15400	1500	1620	2720	2000	375	220	280	710	2550	3010	o.r.	
1SQ8 714-4NA90-0CJ0	15500	1500	1620	2720	2000	630	220	280	710	2550	3480	o.r.	
1SQ8 717-4NA90-0CG0	16650	1500	1620	2720	2240	375	220	280	710	2460	3250	o.r.	
1SQ8 717-4NA90-0CJ0	16800	1500	1620	2720	2240	630	220	280	710	2460	3720	o.r.	
1SQ8 718-4NA90-0CG0	17200	1500	1620	2720	2240	375	220	280	710	2460	3250	o.r.	
1SQ8 718-4NA90-0CJ0	17300	1500	1620	2720	2240	630	220	280	710	2460	3720	o.r.	

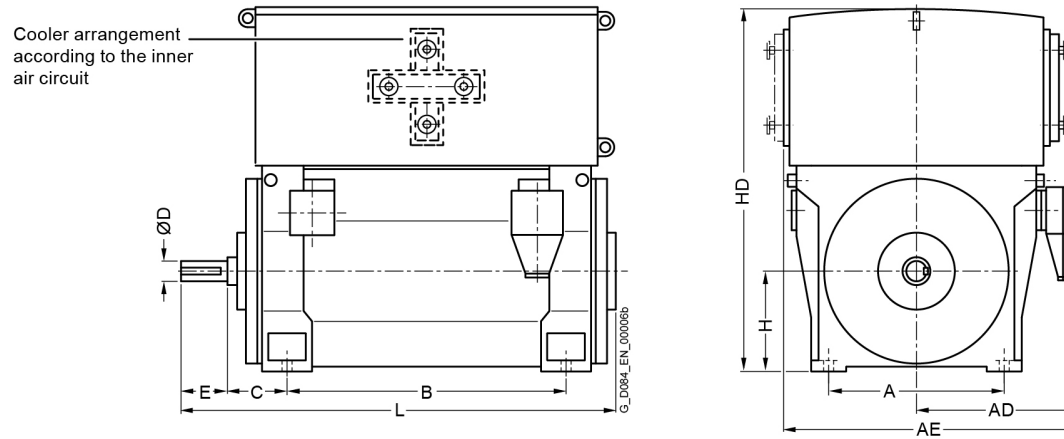
6-pole



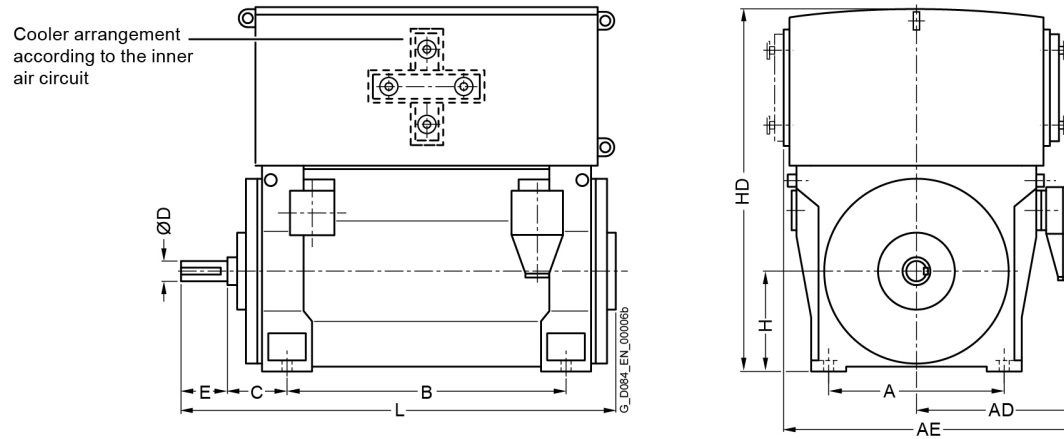
Motor type	Weight	Dimensions										
		A	AD	AE	B	C	D	E	H	HD	L	ML
	kg	mm	mm	mm	mm	mm	mm	mm	mm	mm	mm	mm
Innomotics HV M - 1SQ. IC81W 11000 V / 50 Hz B3 (IM 1001) - Dimension drawings												
1SQ7 452-6NA90-0AA0	4150	850	1140	1760	1180	250	130	200	450	1740	1920	o.r.
1SQ7 452-6NA90-0AC0	4200	850	1140	1760	1180	500	130	200	450	1740	2390	o.r.
1SQ7 453-6NA90-0AA0	4300	850	1140	1760	1180	250	130	200	450	1740	1920	o.r.
1SQ7 453-6NA90-0AC0	4350	850	1140	1760	1180	500	130	200	450	1740	2390	o.r.
1SQ7 453-6NA90-0CA0	4450	850	1140	1760	1180	250	130	200	450	1740	1920	o.r.
1SQ7 453-6NA90-0CC0	4500	850	1140	1760	1180	500	130	200	450	1740	2390	o.r.
1SQ7 454-6NA90-0AA0	4450	850	1140	1760	1180	250	130	200	450	1740	1920	o.r.
1SQ7 454-6NA90-0AC0	4500	850	1140	1760	1180	500	130	200	450	1740	2390	o.r.
1SQ7 454-6NA90-0CA0	4650	850	1140	1760	1180	250	130	200	450	1740	1920	o.r.
1SQ7 454-6NA90-0CC0	4700	850	1140	1760	1180	500	130	200	450	1740	2390	o.r.
1SQ7 457-6NA90-0AA0	4950	850	1140	1760	1400	250	130	200	450	1740	2130	o.r.
1SQ7 457-6NA90-0AC0	4950	850	1140	1760	1400	500	130	200	450	1740	2600	o.r.
1SQ7 457-6NA90-0CA0	5100	850	1140	1760	1400	250	130	200	450	1740	2130	o.r.
1SQ7 457-6NA90-0CC0	5150	850	1140	1760	1400	500	130	200	450	1740	2600	o.r.
1SQ7 458-6NA90-0AA0	5200	850	1140	1760	1400	250	130	200	450	1740	2130	o.r.
1SQ7 458-6NA90-0AC0	5250	850	1140	1760	1400	500	130	200	450	1740	2600	o.r.
1SQ7 458-6NA90-0CA0	5400	850	1140	1760	1400	250	130	200	450	1740	2130	o.r.
1SQ7 458-6NA90-0CC0	5450	850	1140	1760	1400	500	130	200	450	1740	2600	o.r.
1SQ7 502-6NA90-0CA0	6150	950	1220	1920	1320	315	160	240	500	1910	2180	o.r.
1SQ7 502-6NA90-0CC0	6200	950	1220	1920	1320	560	170	240	500	1910	2620	o.r.
1SQ7 502-6NA90-0AA0	5950	950	1220	1920	1320	315	160	240	500	1910	2180	o.r.
1SQ7 502-6NA90-0AC0	6000	950	1220	1920	1320	560	170	240	500	1910	2620	o.r.
1SQ7 503-6NA90-0CA0	6400	950	1220	1920	1320	315	160	240	500	1910	2180	o.r.



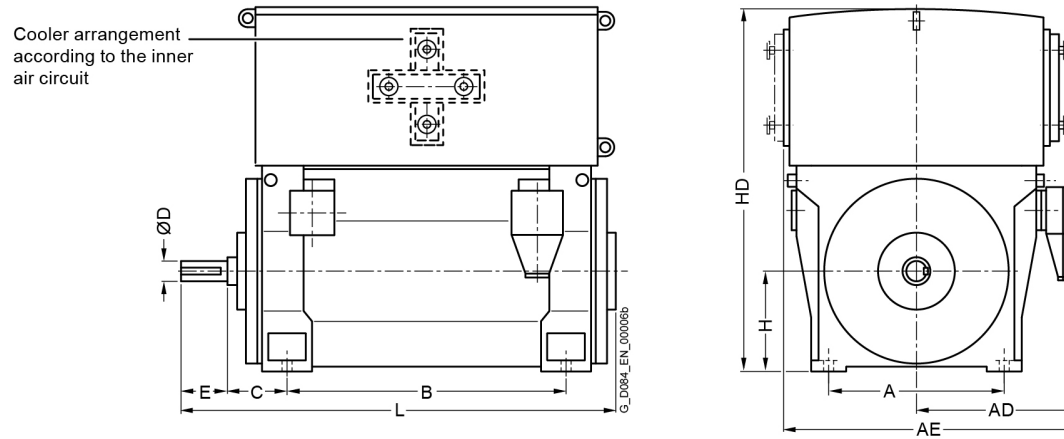
Motor type	Weight kg	Dimensions										
		A mm	AD mm	AE mm	B mm	C mm	D mm	E mm	H mm	HD mm	L mm	ML mm
Innomotics HV M - 1SQ. IC81W 11000 V / 50 Hz B3 (IM 1001) - Dimension drawings												
1SQ7 503-6NA90-OCC0	6450	950	1220	1920	1320	560	170	240	500	1910	2620	o.r.
1SQ7 503-6NA90-OAA0	6200	950	1220	1920	1320	315	160	240	500	1910	2180	o.r.
1SQ7 503-6NA90-OAC0	6250	950	1220	1920	1320	560	170	240	500	1910	2620	o.r.
1SQ7 504-6NA90-OAA0	6450	950	1220	1920	1320	315	160	240	500	1910	2180	o.r.
1SQ7 504-6NA90-OAC0	6500	950	1220	1920	1320	560	170	240	500	1910	2620	o.r.
1SQ7 504-6NA90-OCA0	6700	950	1220	1920	1320	315	160	240	500	1910	2180	o.r.
1SQ7 504-6NA90-OCC0	6750	950	1220	1920	1320	560	170	240	500	1910	2620	o.r.
1SQ7 507-6NA90-OCA0	7400	950	1220	1920	1500	315	160	240	500	1910	2390	o.r.
1SQ7 507-6NA90-OCC0	7450	950	1220	1920	1500	560	170	240	500	1910	2830	o.r.
1SQ7 507-6NA90-OAA0	7100	950	1220	1920	1500	315	160	240	500	1910	2390	o.r.
1SQ7 507-6NA90-OAC0	7150	950	1220	1920	1500	560	170	240	500	1910	2830	o.r.
1SQ7 508-6NA90-OAA0	7400	950	1220	1920	1500	315	160	240	500	1910	2390	o.r.
1SQ7 508-6NA90-OAC0	7450	950	1220	1920	1500	560	170	240	500	1910	2830	o.r.
1SQ7 561-6NA90-OCA0	7900	1060	1290	2060	1400	335	190	280	560	2110	2390	o.r.
1SQ7 561-6NA90-OCC0	7950	1060	1290	2060	1400	600	190	280	560	2110	2850	o.r.
1SQ7 562-6NA90-OCA0	8250	1060	1290	2060	1400	335	190	280	560	2110	2390	o.r.
1SQ7 562-6NA90-OCC0	8300	1060	1290	2060	1400	600	190	280	560	2110	2850	o.r.
1SQ7 563-6NA90-OCA0	8500	1060	1290	2060	1400	335	190	280	560	2110	2390	o.r.
1SQ7 563-6NA90-OCC0	8600	1060	1290	2060	1400	600	190	280	560	2110	2850	o.r.
1SQ7 567-6NA90-OCA0	9650	1060	1290	2060	1600	335	190	280	560	2110	2620	o.r.
1SQ7 567-6NA90-OCC0	9750	1060	1290	2060	1600	600	190	280	560	2110	3080	o.r.
1SQ7 568-6NA90-OCA0	10300	1060	1290	2060	1600	335	190	280	560	2110	2620	o.r.
1SQ7 568-6NA90-OCC0	10350	1060	1290	2060	1600	600	190	280	560	2110	3080	o.r.



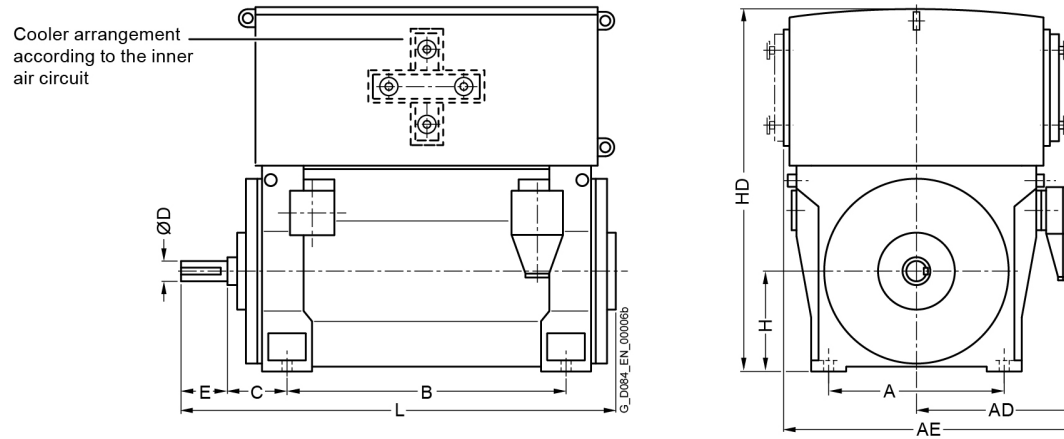
Motor type	Weight	Dimensions											
		A	AD	AE	B	C	D	E	H	HD	L	ML	
	kg	mm	mm	mm	mm	mm	mm	mm	mm	mm	mm	mm	mm
Innomotics HV M - 1SQ. IC81W 11000 V / 50 Hz B3 (IM 1001) - Dimension drawings													
1SQ8 632-6NA90-0CG0	10300	1320	1520	2520	1600	375	200	280	630	2250	2610	o.r.	
1SQ8 632-6NA90-0CJ0	10400	1320	1520	2520	1600	630	200	280	630	2250	3090	o.r.	
1SQ8 633-6NA90-0CG0	10750	1320	1520	2520	1600	375	200	280	630	2250	2610	o.r.	
1SQ8 633-6NA90-0CJ0	10850	1320	1520	2520	1600	630	200	280	630	2250	3090	o.r.	
1SQ8 634-6NA90-0CG0	11250	1320	1520	2520	1600	375	200	280	630	2250	2610	o.r.	
1SQ8 634-6NA90-0CJ0	11400	1320	1520	2520	1600	630	200	280	630	2250	3090	o.r.	
1SQ8 637-6NA90-0CG0	12000	1320	1520	2520	1800	375	200	280	630	2250	2810	o.r.	
1SQ8 637-6NA90-0CJ0	12100	1320	1520	2520	1800	630	200	280	630	2250	3290	o.r.	
1SQ8 638-6NA90-0CG0	12550	1320	1520	2520	1800	375	200	280	630	2250	2810	o.r.	
1SQ8 638-6NA90-0CJ0	12650	1320	1520	2520	1800	630	200	280	630	2250	3290	o.r.	
1SQ8 712-6NA90-0CG0	13950	1500	1620	2720	2000	375	220	280	710	2550	3010	o.r.	
1SQ8 712-6NA90-0CJ0	14050	1500	1620	2720	2000	630	220	280	710	2550	3480	o.r.	
1SQ8 713-6NA90-0CG0	14850	1500	1620	2720	2000	375	220	280	710	2550	3010	o.r.	
1SQ8 713-6NA90-0CJ0	15000	1500	1620	2720	2000	630	220	280	710	2550	3480	o.r.	
1SQ8 714-6NA90-0CG0	15850	1500	1620	2720	2000	375	220	280	710	2550	3010	o.r.	
1SQ8 714-6NA90-0CJ0	16000	1500	1620	2720	2000	630	220	280	710	2550	3480	o.r.	
1SQ8 717-6NA90-0CG0	17350	1500	1620	2720	2240	375	220	280	710	2460	3250	o.r.	
1SQ8 717-6NA90-0CJ0	17500	1500	1620	2720	2240	630	220	280	710	2460	3720	o.r.	
1SQ8 718-6NA90-0CG0	18400	1500	1620	2720	2240	375	220	280	710	2460	3250	o.r.	
1SQ8 718-6NA90-0CJ0	18550	1500	1620	2720	2240	630	220	280	710	2460	3720	o.r.	
8-pole													
1SQ7 451-8NA90-0AA0	4100	850	1140	1760	1180	250	130	200	450	1740	1920	o.r.	
1SQ7 451-8NA90-0AC0	4150	850	1140	1760	1180	500	130	200	450	1740	2390	o.r.	



Motor type	Weight kg	Dimensions										
		A mm	AD mm	AE mm	B mm	C mm	D mm	E mm	H mm	HD mm	L mm	ML mm
Innomotics HV M - 1SQ. IC81W 11000 V / 50 Hz B3 (IM 1001) - Dimension drawings												
1SQ7 451-8NA90-0CA0	4250	850	1140	1760	1180	250	130	200	450	1740	1920	o.r.
1SQ7 451-8NA90-0CC0	4300	850	1140	1760	1180	500	130	200	450	1740	2390	o.r.
1SQ7 452-8NA90-0AA0	4250	850	1140	1760	1180	250	130	200	450	1740	1920	o.r.
1SQ7 452-8NA90-0AC0	4300	850	1140	1760	1180	500	130	200	450	1740	2390	o.r.
1SQ7 452-8NA90-0CA0	4400	850	1140	1760	1180	250	130	200	450	1740	1920	o.r.
1SQ7 452-8NA90-0CC0	4450	850	1140	1760	1180	500	130	200	450	1740	2390	o.r.
1SQ7 453-8NA90-0AA0	4500	850	1140	1760	1180	250	130	200	450	1740	1920	o.r.
1SQ7 453-8NA90-0AC0	4500	850	1140	1760	1180	500	130	200	450	1740	2390	o.r.
1SQ7 453-8NA90-0CA0	4650	850	1140	1760	1180	250	130	200	450	1740	1920	o.r.
1SQ7 453-8NA90-0CC0	4650	850	1140	1760	1180	500	130	200	450	1740	2390	o.r.
1SQ7 454-8NA90-0AA0	4700	850	1140	1760	1180	250	130	200	450	1740	1920	o.r.
1SQ7 454-8NA90-0AC0	4750	850	1140	1760	1180	500	130	200	450	1740	2390	o.r.
1SQ7 454-8NA90-0CA0	4850	850	1140	1760	1180	250	130	200	450	1740	1920	o.r.
1SQ7 454-8NA90-0CC0	4900	850	1140	1760	1180	500	130	200	450	1740	2390	o.r.
1SQ7 457-8NA90-0AA0	5200	850	1140	1760	1400	250	130	200	450	1740	2130	o.r.
1SQ7 457-8NA90-0AC0	5250	850	1140	1760	1400	500	130	200	450	1740	2600	o.r.
1SQ7 457-8NA90-0CA0	5400	850	1140	1760	1400	250	130	200	450	1740	2130	o.r.
1SQ7 457-8NA90-0CC0	5400	850	1140	1760	1400	500	130	200	450	1740	2600	o.r.
1SQ7 458-8NA90-0AA0	5450	850	1140	1760	1400	250	130	200	450	1740	2130	o.r.
1SQ7 458-8NA90-0AC0	5500	850	1140	1760	1400	500	130	200	450	1740	2600	o.r.
1SQ7 458-8NA90-0CA0	5650	850	1140	1760	1400	250	130	200	450	1740	2130	o.r.
1SQ7 458-8NA90-0CC0	5700	850	1140	1760	1400	500	130	200	450	1740	2600	o.r.
1SQ7 502-8NA90-0AA0	5850	950	1220	1920	1320	315	160	240	500	1910	2180	o.r.

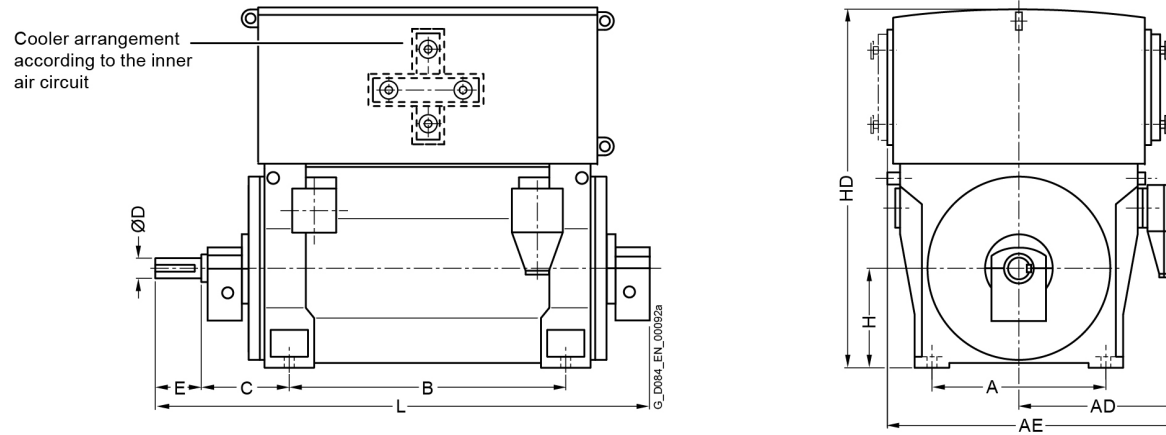


Motor type	Weight	Dimensions												
		A	AD	AE	B	C	D	E	H	HD	L	ML		
	kg	mm	mm	mm	mm	mm	mm	mm	mm	mm	mm	mm	mm	
Innomotics HV M - 1SQ. IC81W 11000 V / 50 Hz B3 (IM 1001) - Dimension drawings														
1SQ7 502-8NA90-0AC0	5900	950	1220	1920	1320	560	170	240	500	1910	2620	o.r.		
1SQ7 502-8NA90-0CA0	6050	950	1220	1920	1320	315	160	240	500	1910	2180	o.r.		
1SQ7 502-8NA90-0CC0	6100	950	1220	1920	1320	560	170	240	500	1910	2620	o.r.		
1SQ7 503-8NA90-0AA0	6200	950	1220	1920	1320	315	160	240	500	1910	2180	o.r.		
1SQ7 503-8NA90-0AC0	6250	950	1220	1920	1320	560	170	240	500	1910	2620	o.r.		
1SQ7 503-8NA90-0CA0	6400	950	1220	1920	1320	315	160	240	500	1910	2180	o.r.		
1SQ7 503-8NA90-0CC0	6450	950	1220	1920	1320	560	170	240	500	1910	2620	o.r.		
1SQ7 504-8NA90-0AA0	6500	950	1220	1920	1320	315	160	240	500	1910	2180	o.r.		
1SQ7 504-8NA90-0AC0	6550	950	1220	1920	1320	560	170	240	500	1910	2620	o.r.		
1SQ7 504-8NA90-0CA0	6700	950	1220	1920	1320	315	160	240	500	1910	2180	o.r.		
1SQ7 504-8NA90-0CC0	6750	950	1220	1920	1320	560	170	240	500	1910	2620	o.r.		
1SQ7 507-8NA90-0AA0	7150	950	1220	1920	1500	315	160	240	500	1910	2390	o.r.		
1SQ7 507-8NA90-0AC0	7200	950	1220	1920	1500	560	170	240	500	1910	2830	o.r.		
1SQ7 507-8NA90-0CA0	7400	950	1220	1920	1500	315	160	240	500	1910	2390	o.r.		
1SQ7 507-8NA90-0CC0	7450	950	1220	1920	1500	560	170	240	500	1910	2830	o.r.		
1SQ7 508-8NA90-0AA0	7450	950	1220	1920	1500	315	160	240	500	1910	2390	o.r.		
1SQ7 508-8NA90-0AC0	7500	950	1220	1920	1500	560	170	240	500	1910	2830	o.r.		
1SQ7 508-8NA90-0CA0	7700	950	1220	1920	1500	315	160	240	500	1910	2390	o.r.		
1SQ7 508-8NA90-0CC0	7800	950	1220	1920	1500	560	170	240	500	1910	2830	o.r.		
1SQ7 563-8NA90-0CA0	8400	1060	1290	2060	1400	335	190	280	560	2110	2390	o.r.		
1SQ7 563-8NA90-0CC0	8450	1060	1290	2060	1400	600	190	280	560	2110	2850	o.r.		
1SQ7 564-8NA90-0CA0	8800	1060	1290	2060	1400	335	190	280	560	2110	2390	o.r.		
1SQ7 564-8NA90-0CC0	8900	1060	1290	2060	1400	600	190	280	560	2110	2850	o.r.		



Motor type	Weight	Dimensions											
		A	AD	AE	B	C	D	E	H	HD	L	ML	
	kg	mm	mm	mm	mm	mm	mm	mm	mm	mm	mm	mm	mm
Innomotics HV M - 1SQ. IC81W 11000 V / 50 Hz B3 (IM 1001) - Dimension drawings													
1SQ7 567-8NA90-0CA0	9700	1060	1290	2060	1600	335	190	280	560	2110	2620	o.r.	
1SQ7 567-8NA90-0CC0	9800	1060	1290	2060	1600	600	190	280	560	2110	3080	o.r.	
1SQ7 568-8NA90-0CA0	10200	1060	1290	2060	1600	335	190	280	560	2110	2620	o.r.	
1SQ7 568-8NA90-0CC0	10300	1060	1290	2060	1600	600	190	280	560	2110	3080	o.r.	
1SQ8 633-8NA90-0CG0	9700	1320	1520	2520	1600	375	200	280	630	2380	2610	o.r.	
1SQ8 633-8NA90-0CJ0	9800	1320	1520	2520	1600	630	200	280	630	2380	3090	o.r.	
1SQ8 634-8NA90-0CG0	10400	1320	1520	2520	1600	375	200	280	630	2380	2610	o.r.	
1SQ8 634-8NA90-0CJ0	10500	1320	1520	2520	1600	630	200	280	630	2380	3090	o.r.	
1SQ8 637-8NA90-0CG0	11600	1320	1520	2520	1800	375	200	280	630	2380	2810	o.r.	
1SQ8 637-8NA90-0CJ0	11700	1320	1520	2520	1800	630	200	280	630	2380	3290	o.r.	
1SQ8 638-8NA90-0CG0	12300	1320	1520	2520	1800	375	200	280	630	2380	2810	o.r.	
1SQ8 638-8NA90-0CJ0	12400	1320	1520	2520	1800	630	200	280	630	2380	3290	o.r.	
1SQ8 712-8NA90-0CG0	13450	1500	1620	2720	2000	375	220	280	710	2550	3010	o.r.	
1SQ8 712-8NA90-0CJ0	13600	1500	1620	2720	2000	630	220	280	710	2550	3480	o.r.	
1SQ8 713-8NA90-0CG0	14250	1500	1620	2720	2000	375	220	280	710	2550	3010	o.r.	
1SQ8 713-8NA90-0CJ0	14450	1500	1620	2720	2000	630	220	280	710	2550	3480	o.r.	
1SQ8 714-8NA90-0CG0	15350	1500	1620	2720	2000	375	220	280	710	2550	3010	o.r.	
1SQ8 714-8NA90-0CJ0	15550	1500	1620	2720	2000	630	220	280	710	2550	3480	o.r.	
1SQ8 717-8NA90-0CG0	16950	1500	1620	2720	2240	375	220	280	710	2460	3250	o.r.	
1SQ8 717-8NA90-0CJ0	17150	1500	1620	2720	2240	630	220	280	710	2460	3720	o.r.	
1SQ8 718-8NA90-0CG0	18000	1500	1620	2720	2240	375	220	280	710	2460	3250	o.r.	
1SQ8 718-8NA90-0CJ0	18200	1500	1620	2720	2240	630	220	280	710	2460	3720	o.r.	

Innomotics HV M - 1SQ. IC81W 13800 V / 60 Hz B3 (IM 1001)																			
Rated power IEC	Article No.	Speed	Rated current I_R	Efficiency				Power factor				Torque T_R	Breakdown torque T_B/ T_R	Locked rotor torque T_{LR}/ T_R	Locked rotor current I_{LR}/ I_R	Inertia			
				5/4 load	4/4 load	3/4 load	2/4 load	5/4 load	4/4 load	3/4 load	2/4 load					rotor	external	Startup max T/TR	
kW		rpm	A	%	%	%	%	$\cos \varphi$	$\cos \varphi$	$\cos \varphi$	$\cos \varphi$	Nm	[-]	[-]	[-]	kgm ²	kgm ²	[-]	
2-pole: $n_{sync} = 3600$ rpm at 60 Hz																			
6600	1SQ8 633-2NA20-0CJ0	3585	315	96.6	96.8	96.5	95.6	0.88	0.90	0.89	0.87	17580	2.20	0.55	5.4	82	200	o.r.	
8050	1SQ8 637-2NA20-0CJ0	3587	380	96.9	97.1	96.7	95.8	0.90	0.91	0.90	0.87	21431	2.60	0.65	6.0	98	200	o.r.	
10750	1SQ8 714-2NA20-0CJ0	3588	520	96.9	96.9	96.5	95.5	0.89	0.90	0.90	0.88	28611	2.30	0.60	5.8	173	110	o.r.	
12550	1SQ8 717-2NA20-0CJ0	3589	590	97.1	97.1	96.8	95.9	0.90	0.91	0.91	0.89	33392	2.45	0.60	6.0	202	110	o.r.	
4-pole: $n_{sync} = 1800$ rpm at 60 Hz																			
5850	1SQ8 633-4NA20-0C.0	1792	280	96.8	97.2	97.3	96.9	0.89	0.90	0.89	0.85	31174	2.40	0.55	5.9	151	550	o.r.	
7200	1SQ8 637-4NA20-0C.0	1793	345	97.1	97.4	97.4	97.0	0.89	0.90	0.88	0.84	38346	2.55	0.60	6.0	181	660	o.r.	
9250	1SQ8 713-4NA20-0C.0	1793	440	97.1	97.4	97.4	97.0	0.89	0.90	0.89	0.84	49264	2.60	0.50	6.0	282	690	o.r.	
11050	1SQ8 717-4NA20-0C.0	1793	530	97.3	97.5	97.6	97.2	0.89	0.90	0.90	0.86	58851	2.55	0.45	6.0	342	780	o.r.	
6-pole: $n_{sync} = 1200$ rpm at 60 Hz																			
4950	1SQ8 633-6NA20-0C.0	1193	245	96.5	97.0	97.1	96.8	0.85	0.87	0.84	0.77	39622	2.30	0.55	5.5	209	1400	o.r.	
6050	1SQ8 637-6NA20-0C.0	1194	300	96.8	97.1	97.2	96.8	0.86	0.87	0.83	0.76	48386	2.50	0.60	5.5	246	1900	o.r.	
8650	1SQ8 714-6NA20-0C.0	1195	425	97.2	97.5	97.6	97.3	0.86	0.87	0.85	0.78	69123	2.40	0.50	5.5	422	1910	o.r.	
9550	1SQ8 717-6NA20-0C.0	1195	470	97.3	97.5	97.6	97.2	0.86	0.87	0.84	0.77	76314	2.45	0.50	5.5	474	2060	o.r.	



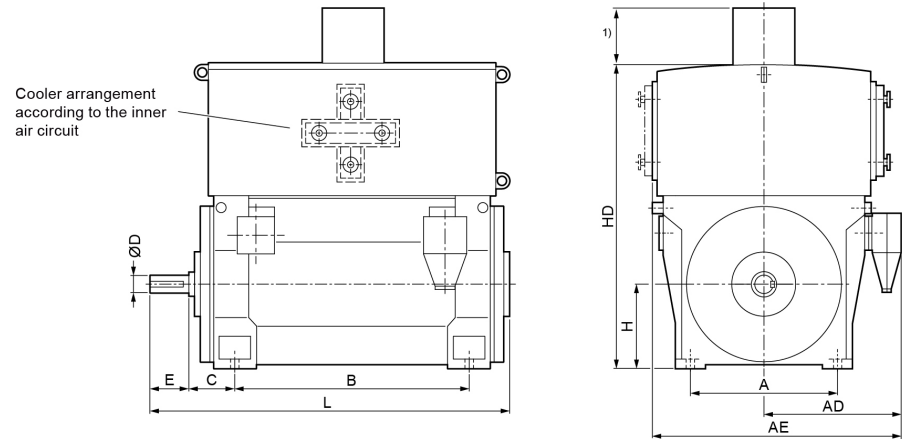
Motor type	Weight kg	Dimensions										
		A mm	AD mm	AE mm	B mm	C mm	D mm	E mm	H mm	HD mm	L mm	ML mm
Innomotics HV M - 1SQ. IC81W 13800 V / 60 Hz B3 (IM 1001) - Dimension drawings												
2-pole												
1SQ8 633-2NA20-0CJ0	9450	1320	1647	2647	1600	560	160	240	630	2250	2890	o.r.
1SQ8 637-2NA20-0CJ0	10750	1320	1647	2647	1800	560	160	240	630	2250	3090	o.r.
1SQ8 714-2NA20-0CJ0	13950	1500	1747	2847	2000	560	180	240	710	2550	3280	o.r.
1SQ8 717-2NA20-0CJ0	15700	1500	1747	2847	2240	560	180	240	710	2460	3520	o.r.
4-pole												
1SQ8 633-4NA20-0CG0	10150	1320	1647	2647	1600	375	200	280	630	2250	2610	o.r.
1SQ8 633-4NA20-0CJ0	10250	1320	1647	2647	1600	630	200	280	630	2250	3090	o.r.
1SQ8 637-4NA20-0CG0	11450	1320	1647	2647	1800	375	200	280	630	2250	2810	o.r.
1SQ8 637-4NA20-0CJ0	11550	1320	1647	2647	1800	630	200	280	630	2250	3290	o.r.
1SQ8 713-4NA20-0CG0	14400	1500	1747	2847	2000	375	220	280	710	2550	3010	o.r.
1SQ8 713-4NA20-0CJ0	14500	1500	1747	2847	2000	630	220	280	710	2550	3480	o.r.
1SQ8 717-4NA20-0CG0	16350	1500	1747	2847	2240	375	220	280	710	2460	3250	o.r.
1SQ8 717-4NA20-0CJ0	16500	1500	1747	2847	2240	630	220	280	710	2460	3720	o.r.
6-pole												
1SQ8 633-6NA20-0CG0	10600	1320	1647	2647	1600	375	200	280	630	2250	2610	o.r.
1SQ8 633-6NA20-0CJ0	10700	1320	1647	2647	1600	630	200	280	630	2250	3090	o.r.
1SQ8 637-6NA20-0CG0	11850	1320	1647	2647	1800	375	200	280	630	2250	2810	o.r.
1SQ8 637-6NA20-0CJ0	11950	1320	1647	2647	1800	630	200	280	630	2250	3290	o.r.
1SQ8 714-6NA20-0CG0	15700	1500	1747	2847	2000	375	220	280	710	2550	3010	o.r.
1SQ8 714-6NA20-0CJ0	15800	1500	1747	2847	2000	630	220	280	710	2550	3480	o.r.
1SQ8 717-6NA20-0CG0	17050	1500	1747	2847	2240	375	220	280	710	2460	3250	o.r.
1SQ8 717-6NA20-0CJ0	17200	1500	1747	2847	2240	630	220	280	710	2460	3720	o.r.

Innomotics HV M - 1SQ. IC86W 6000 V / 50 Hz B3 (IM 1001)																		
Rated power IEC kW	Article No.	Speed	Rated current	Efficiency				Power factor				Torque	Breakdown torque	Locked rotor torque	Locked rotor current	Inertia		
		rpm	I _R A	5/4 load %	4/4 load %	3/4 load %	2/4 load %	5/4 load cos φ	4/4 load cos φ	3/4 load cos φ	2/4 load cos φ	T _R Nm	T _B / T _R [-]	T _{LR} / T _R [-]	I _{LR} / I _R [-]	motor kgm ²	external kgm ²	Startup max T/TR [-]
2-pole: n_{sync} = 3000 rpm at 50 Hz																		
1750	1SQ7 453-2PA60-0A.0	2971	200	95.2	96.1	96.5	96.5	0.85	0.88	0.88	0.86	5627	1.90	0.45	4.6	10	45	o.r.
1790	1SQ7 453-2PA60-0C.0	2971	200	95.2	96.1	96.6	96.5	0.85	0.89	0.89	0.87	5755	1.90	0.50	4.2	14	115	o.r.
1910	1SQ7 454-2PA60-0A.2	2974	215	95.5	96.3	96.6	96.4	0.86	0.88	0.88	0.85	6135	2.05	0.45	4.8	11	50	o.r.
1960	1SQ7 454-2PA60-0C.0	2974	220	95.5	96.2	96.6	96.5	0.86	0.89	0.89	0.87	6296	2.00	0.50	4.5	15	120	o.r.
2000	1SQ7 457-2PA60-0A.2	2975	220	95.7	96.5	96.7	96.5	0.88	0.90	0.90	0.86	6426	2.25	0.55	5.2	12	60	o.r.
2040	1SQ7 457-2PA60-0C.0	2975	225	95.7	96.4	96.7	96.6	0.89	0.90	0.90	0.88	6553	2.15	0.55	4.8	16	140	o.r.
2240	1SQ7 458-2PA60-0A.2	2975	250	95.9	96.6	96.9	96.7	0.88	0.90	0.90	0.87	7192	2.25	0.55	5.2	13	65	o.r.
2310	1SQ7 458-2PA60-0C.0	2975	255	95.9	96.5	96.9	96.8	0.88	0.90	0.90	0.88	7422	2.15	0.55	4.8	18	140	o.r.
2600	1SQ7 503-2PA60-0A.0	2962	295	95.5	96.3	96.8	97.0	0.87	0.88	0.89	0.86	8384	2.05	0.50	3.9	15	32	o.r.
2600	1SQ7 503-2PA60-0C.0	2970	295	95.8	96.5	97.0	97.1	0.87	0.88	0.89	0.87	8361	2.00	0.55	3.8	20	116	o.r.
2670	1SQ7 504-2PA60-0A.0	2964	300	95.6	96.3	96.8	97.0	0.88	0.89	0.89	0.87	8610	2.15	0.50	4.2	15	40	o.r.
2780	1SQ7 504-2PA60-0C.0	2970	310	95.8	96.5	97.0	97.1	0.87	0.89	0.90	0.87	8942	2.05	0.55	3.9	21	108	o.r.
3100	1SQ7 507-2PA60-0A.0	2966	345	96.0	96.6	97.1	97.2	0.88	0.90	0.90	0.86	9986	2.25	0.60	4.5	18	46	o.r.
3260	1SQ7 507-2PA60-0C.2	2971	365	96.2	96.8	97.2	97.3	0.88	0.89	0.90	0.88	10480	2.10	0.65	4.1	24	108	o.r.
3350	1SQ7 508-2PA60-0A.2	2972	365	96.3	96.9	97.2	97.2	0.90	0.91	0.90	0.85	10767	2.60	0.70	5.4	20	74	o.r.
3550	1SQ7 508-2PA60-0C.2	2976	385	96.5	97.0	97.3	97.3	0.90	0.91	0.91	0.88	11399	2.40	0.70	4.9	27	134	o.r.
4050	1SQ7 562-2PA60-0CC2	2978	445	96.3	96.8	96.9	96.7	0.88	0.90	0.90	0.87	12988	2.05	0.55	4.6	41	245	o.r.
4500	1SQ7 563-2PA60-0CC2	2978	500	96.5	96.8	97.1	96.9	0.88	0.89	0.90	0.87	14432	2.00	0.50	4.5	44	230	o.r.
5000	1SQ7 564-2PA60-0CC2	2979	550	96.6	96.9	97.1	96.9	0.90	0.91	0.90	0.88	16029	2.15	0.50	4.8	47	250	o.r.
5600	1SQ7 567-2PA60-0CC2	2980	610	96.8	97.0	97.3	97.1	0.90	0.91	0.91	0.88	17951	2.10	0.55	4.8	52	255	o.r.
6400	1SQ7 568-2PA60-0CC2	2982	700	97.1	97.3	97.4	97.1	0.90	0.91	0.91	0.88	20512	2.25	0.50	5.1	58	270	o.r.
7200	1SQ8 633-2PA60-0CJ0	2978	800	96.5	97.1	97.1	96.8	0.85	0.89	0.89	0.89	23088	1.90	0.50	4.3	82	200	o.r.
7900	1SQ8 634-2PA60-0CJ0	2980	880	96.7	97.2	97.2	96.9	0.86	0.89	0.90	0.89	25315	2.00	0.50	4.6	90	210	o.r.
8750	1SQ8 637-2PA60-0CJ0	2981	960	97.0	97.4	97.4	97.1	0.88	0.90	0.91	0.90	28030	2.10	0.55	5.0	99	220	o.r.
9700	1SQ8 638-2PA60-0CJ0	2981	1060	97.0	97.5	97.5	97.2	0.88	0.90	0.91	0.90	31073	2.15	0.60	5.0	108	210	o.r.
10150	1SQ8 712-2PA60-0CJ0	2982	1140	96.6	97.1	97.1	96.7	0.83	0.88	0.89	0.89	32503	1.70	0.45	4.0	149	150	o.r.
11150	1SQ8 713-2PA60-0CJ0	2981	1280	96.6	97.1	97.2	96.9	0.82	0.87	0.88	0.89	35718	1.65	0.45	3.8	160	130	o.r.
11600	1SQ8 714-2PA60-0CJ0	2983	1300	96.8	97.2	97.3	96.9	0.85	0.89	0.90	0.90	37134	1.80	0.40	4.2	173	160	o.r.
13000	1SQ8 716-2PA60-0CJ0	2984	1420	97.1	97.4	97.4	97.0	0.87	0.90	0.91	0.90	41602	1.90	0.50	4.5	186	140	o.r.
14650	1SQ8 717-2PA60-0CJ0	2984	1600	97.3	97.6	97.5	97.2	0.87	0.90	0.91	0.90	46882	1.90	0.50	4.5	201	120	o.r.
15000	1SQ8 718-2PA60-0CJ0	2983	1620	97.2	97.6	97.7	97.4	0.87	0.91	0.92	0.92	48019	1.90	0.50	4.4	220	120	o.r.
4-pole: n_{sync} = 1500 rpm at 50 Hz																		
1620	1SQ7 453-4PA60-0C.2	1483	184	95.2	96.1	96.5	96.6	0.86	0.88	0.87	0.82	10433	2.00	0.50	5.0	23	465	o.r.
1550	1SQ7 453-4PA60-0A.0	1479	176	94.8	95.8	96.3	96.5	0.87	0.88	0.87	0.83	10014	2.15	0.65	5.0	17	225	o.r.
1680	1SQ7 454-4PA60-0A.0	1481	196	95.2	96.0	96.3	96.4	0.85	0.86	0.82	0.73	10836	2.30	0.65	5.2	19	275	o.r.
1800	1SQ7 454-4PA60-0C.2	1483	205	95.2	96.2	96.5	96.6	0.85	0.87	0.84	0.78	11603	2.05	0.50	5.0	25	475	o.r.

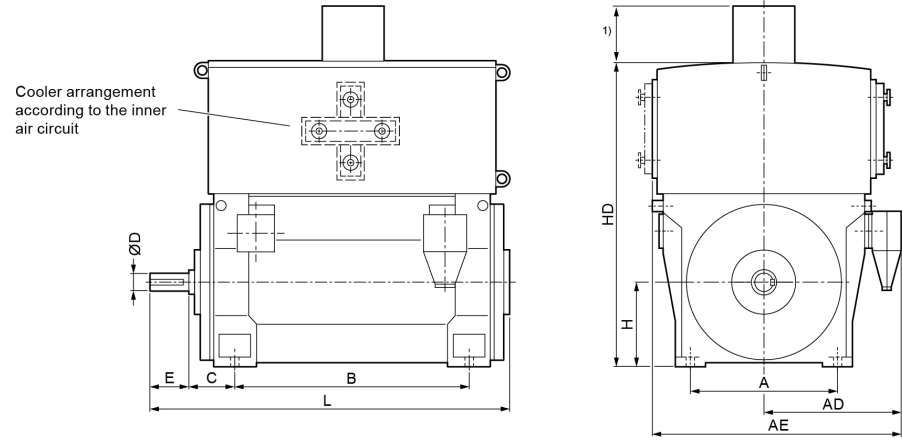
Innomotics HV M - 1SQ. IC86W 6000 V / 50 Hz B3 (IM 1001)																		
Rated power IEC	Article No.	Speed	Rated current I_R	Efficiency				Power factor				Torque T_R	Breakdown torque T_B/ T_R	Locked rotor torque T_{LR}/ T_R	Locked rotor current I_{LR}/ I_R	Inertia		
				5/4 load	4/4 load	3/4 load	2/4 load	5/4 load	4/4 load	3/4 load	2/4 load					motor	external	Startup max T/TR
kW		rpm	A	%	%	%	%	$\cos \varphi$	$\cos \varphi$	$\cos \varphi$	$\cos \varphi$	Nm	[-]	[-]	[-]	kgm ²	kgm ²	[-]
1930	1SQ7 457-4PA60-0A.2	1482	215	95.4	96.2	96.6	96.7	0.88	0.89	0.88	0.84	12442	2.40	0.75	5.6	22	350	o.r.
2020	1SQ7 457-4PA60-0C.2	1485	225	95.7	96.4	96.8	96.9	0.88	0.89	0.88	0.85	12996	2.25	0.55	5.0	30	635	o.r.
2080	1SQ7 458-4PA60-0A.0	1483	235	95.7	96.3	96.7	96.8	0.89	0.89	0.88	0.83	13401	2.60	0.80	5.8	24	395	o.r.
2240	1SQ7 458-4PA60-0C.2	1485	250	95.8	96.5	96.9	97.0	0.88	0.89	0.89	0.85	14412	2.25	0.55	5.0	33	660	o.r.
2500	1SQ7 503-4PA60-0A.2	1485	285	95.9	96.6	97.0	97.1	0.87	0.88	0.87	0.83	16098	2.15	0.75	4.9	37	545	o.r.
2550	1SQ7 503-4PA60-0C.2	1486	290	96.0	96.6	97.1	97.1	0.87	0.88	0.88	0.84	16405	2.10	0.55	4.4	45	600	o.r.
2770	1SQ7 504-4PA60-0A.2	1486	310	96.1	96.7	97.1	97.1	0.88	0.89	0.87	0.83	17830	2.25	0.80	5.0	40	585	o.r.
2800	1SQ7 504-4PA60-0C.2	1487	315	96.1	96.7	97.2	97.1	0.88	0.89	0.88	0.84	18003	2.15	0.55	4.5	50	665	o.r.
3100	1SQ7 507-4PA60-0A.2	1485	350	96.2	96.8	97.2	97.3	0.87	0.88	0.88	0.85	19963	2.20	0.75	4.9	46	655	o.r.
3150	1SQ7 507-4PA60-0C.2	1487	350	96.3	96.9	97.3	97.3	0.88	0.89	0.89	0.86	20255	2.15	0.55	4.5	56	700	o.r.
3480	1SQ7 508-4PA60-0C.2	1489	390	96.5	97.0	97.3	97.3	0.87	0.88	0.88	0.83	22352	2.20	0.55	4.6	62	805	o.r.
3260	1SQ7 508-4PA60-0A.2	1485	365	96.2	96.8	97.3	97.3	0.88	0.89	0.89	0.86	20989	2.35	0.85	5.2	50	705	o.r.
3550	1SQ7 562-4PA60-0C.2	1489	401	96.4	96.9	97.3	97.3	0.86	0.88	0.87	0.84	22792	2.05	0.60	4.8	74	615	o.r.
4000	1SQ7 563-4PA60-0C.2	1488	451	96.4	96.9	97.4	97.4	0.86	0.88	0.87	0.85	25692	2.00	0.60	4.7	80	580	o.r.
4600	1SQ7 564-4PA60-0C.2	1489	519	96.6	97.0	97.5	97.4	0.87	0.88	0.88	0.85	29535	2.05	0.60	4.8	90	685	o.r.
5100	1SQ7 566-4PA60-0C.2	1489	567	96.8	97.2	97.6	97.5	0.88	0.89	0.88	0.85	32724	2.15	0.65	5.1	100	735	o.r.
5700	1SQ7 567-4PA60-0C.2	1489	633	96.9	97.3	97.7	97.6	0.88	0.89	0.89	0.86	36573	2.15	0.65	5.2	110	760	o.r.
6300	1SQ7 568-4PA60-0C.2	1490	699	97.0	97.4	97.7	97.7	0.88	0.89	0.89	0.85	40402	2.25	0.70	5.4	119	760	o.r.
6650	1SQ8 633-4PA60-0C.0	1489	750	96.7	97.3	97.6	97.5	0.86	0.88	0.89	0.86	42648	2.00	0.50	4.7	151	540	o.r.
7150	1SQ8 634-4PA60-0C.0	1489	790	96.7	97.3	97.6	97.6	0.86	0.89	0.89	0.87	45855	2.00	0.50	4.8	166	640	o.r.
8100	1SQ8 637-4PA60-0C.0	1489	900	96.9	97.4	97.7	97.6	0.87	0.89	0.89	0.86	51947	2.10	0.50	5.0	182	650	o.r.
9300	1SQ8 638-4PA60-0C.0	1490	1040	97.1	97.6	97.8	97.7	0.87	0.89	0.88	0.85	59603	2.10	0.50	5.0	198	670	o.r.
9600	1SQ8 712-4PA60-0C.0	1490	1060	97.1	97.6	97.8	97.7	0.87	0.89	0.89	0.86	61526	2.15	0.45	4.9	259	650	o.r.
10450	1SQ8 713-4PA60-0C.0	1490	1140	97.2	97.6	97.8	97.7	0.88	0.90	0.89	0.87	66973	2.20	0.50	5.2	284	720	o.r.
11500	1SQ8 714-4PA60-0C.0	1490	1260	97.3	97.7	97.9	97.8	0.88	0.90	0.90	0.87	73703	2.25	0.50	5.3	312	800	o.r.
12750	1SQ8 717-4PA60-0C.0	1491	1400	97.3	97.7	97.9	97.8	0.89	0.90	0.90	0.88	81659	2.30	0.55	5.5	346	850	o.r.
13600	1SQ8 718-4PA60-0C.0	1492	1480	97.4	97.8	97.9	97.8	0.89	0.90	0.89	0.85	87045	2.50	0.55	5.8	365	930	o.r.
6-pole: $n_{sync} = 1000$ rpm at 50 Hz																		
1250	1SQ7 453-6PA60-0A.0	987	148	94.4	95.4	96.0	96.3	0.84	0.85	0.83	0.77	12103	2.05	0.70	5.0	22	730	o.r.
1260	1SQ7 453-6PA60-0C.0	986	148	94.3	95.4	96.0	96.3	0.84	0.86	0.84	0.79	12201	2.00	0.60	4.5	30	970	o.r.
1410	1SQ7 454-6PA60-0A.0	988	166	94.7	95.6	96.1	96.3	0.84	0.85	0.82	0.75	13641	2.05	0.70	4.9	24	945	o.r.
1430	1SQ7 454-6PA60-0C.0	987	170	94.6	95.6	96.2	96.4	0.84	0.85	0.84	0.78	13847	2.00	0.55	4.4	33	1215	o.r.
1520	1SQ7 457-6PA60-0A.0	988	180	94.8	95.7	96.3	96.5	0.84	0.85	0.84	0.77	14706	2.10	0.75	5.1	28	1025	o.r.
1550	1SQ7 457-6PA60-0C.0	987	182	94.7	95.7	96.2	96.5	0.84	0.86	0.85	0.80	14997	2.10	0.60	4.5	36	1275	o.r.
1650	1SQ7 458-6PA60-0A.0	989	192	95.1	95.9	96.4	96.6	0.85	0.86	0.84	0.77	15950	2.25	0.80	5.3	31	1135	o.r.
1680	1SQ7 458-6PA60-0C.0	988	194	95.0	95.9	96.4	96.6	0.85	0.87	0.85	0.79	16244	2.20	0.60	4.8	41	1410	o.r.
1800	1SQ7 502-6PA60-0A.2	990	210	95.4	96.2	96.7	96.8	0.84	0.85	0.83	0.76	17387	2.15	0.85	4.5	42	1620	o.r.

Innomotics HV M - 1SQ. IC86W 6000 V / 50 Hz B3 (IM 1001)																		
Rated power IEC	Article No.	Speed	Rated current I_R	Efficiency				Power factor				Torque T_R	Breakdown torque T_B/ T_R	Locked rotor torque T_{LR}/ T_R	Locked rotor current I_{LR}/ I_R	Inertia		
				5/4 load	4/4 load	3/4 load	2/4 load	5/4 load	4/4 load	3/4 load	2/4 load					motor	external	Startup max T/TR
kW		rpm	A	%	%	%	%	cos φ	cos φ	cos φ	cos φ	Nm	[-]	[-]	[-]	kgm ²	kgm ²	[-]
1800	1SQ7 502-6PA60-0C.2	991	210	95.6	96.3	96.8	96.9	0.84	0.85	0.84	0.78	17365	2.10	0.70	4.2	54	2060	o.r.
2000	1SQ7 503-6PA60-0A.2	990	230	95.6	96.4	96.8	96.9	0.84	0.86	0.84	0.77	19320	2.15	0.90	4.6	46	1790	o.r.
2000	1SQ7 503-6PA60-0C.2	991	235	95.8	96.5	96.9	97.0	0.84	0.86	0.85	0.79	19276	2.10	0.70	4.3	60	2300	o.r.
2280	1SQ7 504-6PA60-0A.2	990	260	95.6	96.4	96.8	97.0	0.85	0.86	0.84	0.77	22029	2.15	0.90	4.6	51	1680	o.r.
2240	1SQ7 504-6PA60-0C.2	991	260	95.9	96.6	97.0	97.1	0.85	0.86	0.85	0.79	21602	2.15	0.75	4.4	66	2100	o.r.
2540	1SQ7 507-6PA60-0A.2	990	290	95.9	96.5	97.0	97.1	0.85	0.86	0.84	0.77	24531	2.20	0.90	4.8	58	2110	o.r.
2570	1SQ7 507-6PA60-0C.2	991	290	96.0	96.7	97.1	97.2	0.85	0.86	0.85	0.80	24785	2.15	0.75	4.3	74	2440	o.r.
2680	1SQ7 508-6PA60-0A.2	990	310	96.2	96.7	97.1	97.1	0.85	0.86	0.83	0.75	25858	2.35	0.95	5.1	63	2480	o.r.
2750	1SQ7 508-6PA60-0C.2	991	320	96.2	96.9	97.2	97.2	0.85	0.86	0.85	0.78	26495	2.25	0.75	4.6	81	2780	o.r.
3000	1SQ7 562-6PA60-0C.2	992	345	96.0	96.6	97.0	96.8	0.85	0.86	0.86	0.82	28909	1.80	0.60	5.2	105	2430	o.r.
3300	1SQ7 563-6PA60-0C.2	992	380	96.1	96.8	97.0	97.0	0.85	0.86	0.85	0.82	31792	1.80	0.60	5.2	113	2500	o.r.
3700	1SQ7 564-6PA60-0C.2	992	430	96.2	96.8	97.1	97.1	0.85	0.86	0.86	0.82	35646	1.80	0.60	5.2	124	2485	o.r.
4100	1SQ7 567-6PA60-0C.2	992	475	96.3	96.9	97.1	97.2	0.85	0.86	0.86	0.82	39488	1.80	0.60	5.2	137	2600	o.r.
4550	1SQ7 568-6PA60-0C.2	992	520	96.6	97.0	97.2	97.2	0.86	0.86	0.86	0.81	43806	2.00	0.60	5.5	151	2945	o.r.
5000	1SQ8 632-6PA60-0C.0	991	580	96.3	96.9	97.2	97.1	0.84	0.86	0.83	0.77	48180	2.10	0.55	4.7	193	1880	o.r.
5200	1SQ8 633-6PA60-0C.0	991	590	96.4	97.0	97.3	97.2	0.84	0.87	0.84	0.79	50107	2.10	0.55	4.7	209	2160	o.r.
6000	1SQ8 634-6PA60-0C.0	991	690	96.5	97.1	97.4	97.3	0.84	0.86	0.84	0.79	57816	2.00	0.52	4.7	227	2080	o.r.
6400	1SQ8 637-6PA60-0C.0	991	730	96.5	97.1	97.4	97.3	0.84	0.87	0.85	0.80	61671	2.00	0.52	4.7	247	2400	o.r.
6900	1SQ8 638-6PA60-0C.0	991	790	96.6	97.2	97.5	97.4	0.85	0.87	0.85	0.80	66489	2.05	0.52	4.7	265	2580	o.r.
7350	1SQ8 712-6PA60-0C.0	993	840	96.9	97.4	97.6	97.5	0.85	0.86	0.84	0.79	70682	2.15	0.55	5.0	331	2240	o.r.
8150	1SQ8 713-6PA60-0C.0	993	920	97.0	97.5	97.7	97.7	0.85	0.87	0.86	0.82	78375	2.10	0.55	5.0	374	2520	o.r.
9400	1SQ8 714-6PA60-0C.0	993	1060	97.1	97.5	97.8	97.7	0.85	0.87	0.85	0.80	90396	2.15	0.50	5.0	424	2810	o.r.
10550	1SQ8 717-6PA60-0C.0	994	1200	97.3	97.7	97.9	97.7	0.86	0.87	0.85	0.80	101353	2.30	0.60	5.4	478	3250	o.r.
11300	1SQ8 718-6PA60-0C.0	994	1280	97.4	97.7	97.9	97.7	0.86	0.87	0.85	0.77	108558	2.50	0.60	5.5	524	3760	o.r.
8-pole: n_{sync} = 750 rpm at 50 Hz																		
820	1SQ7 452-8PA60-0A.0	739	102	93.8	95.0	95.4	95.4	0.79	0.81	0.77	0.68	10592	1.80	0.60	4.0	25	1540	o.r.
880	1SQ7 452-8PA60-0C.0	738	108	93.6	94.9	95.4	95.5	0.80	0.82	0.79	0.71	11379	1.90	0.55	4.1	32	1900	o.r.
930	1SQ7 453-8PA60-0A.0	739	116	94.0	95.1	95.6	95.6	0.79	0.81	0.77	0.68	12013	1.80	0.60	3.9	28	1960	o.r.
1000	1SQ7 453-8PA60-0C.0	738	124	93.9	95.1	95.5	95.7	0.81	0.82	0.79	0.71	12926	1.90	0.55	4.0	36	2310	o.r.
1000	1SQ7 454-8PA60-0A.2	739	124	94.1	95.4	95.7	95.8	0.80	0.81	0.78	0.70	12919	1.85	0.60	4.0	31	2450	o.r.
1100	1SQ7 454-8PA60-0C.0	738	134	94.0	95.2	95.7	95.9	0.81	0.83	0.80	0.73	14225	1.90	0.55	4.1	40	2750	o.r.
1190	1SQ7 457-8PA60-0A.0	739	148	94.4	95.4	95.8	95.8	0.80	0.81	0.77	0.68	15370	1.85	0.60	4.2	35	2610	o.r.
1220	1SQ7 457-8PA60-0C.2	740	148	94.5	95.5	95.8	95.8	0.82	0.83	0.79	0.70	15743	2.00	0.60	4.6	45	3470	o.r.
1260	1SQ7 458-8PA60-0A.0	739	154	94.5	95.5	95.8	95.9	0.80	0.82	0.78	0.69	16267	1.95	0.65	4.5	39	2760	o.r.
1310	1SQ7 458-8PA60-0C.0	740	160	94.6	95.5	95.9	95.9	0.82	0.83	0.80	0.71	16900	2.10	0.60	4.8	50	3580	o.r.
1400	1SQ7 502-8PA60-0A.2	742	174	95.1	95.9	96.4	96.6	0.81	0.81	0.79	0.73	18026	1.95	0.75	3.9	46	2280	o.r.
1400	1SQ7 502-8PA60-0C.2	741	170	95.0	95.9	96.4	96.7	0.81	0.83	0.80	0.74	18042	1.95	0.50	3.7	59	2990	o.r.

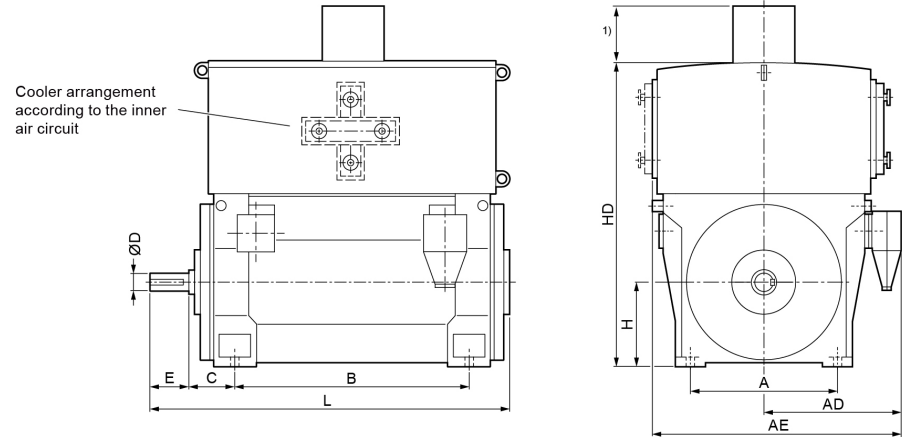
Innomotics HV M - 1SQ. IC86W 6000 V / 50 Hz B3 (IM 1001)																		
Rated power IEC	Article No.	Speed	Rated current I_R	Efficiency				Power factor				Torque T_R	Breakdown torque T_B/ T_R	Locked torque T_{LR}/ T_R	rotor Locked current I_{LR}/ I_R	Inertia		
				5/4 load	4/4 load	3/4 load	2/4 load	5/4 load	4/4 load	3/4 load	2/4 load					motor	external	Startup max T/TR
kW		rpm	A	%	%	%	%	$\cos \varphi$	$\cos \varphi$	$\cos \varphi$	$\cos \varphi$	Nm	[-]	[-]	[-]	kgm ²	kgm ²	[-]
1600	1SQ7 503-8PA60-0A.2	741	196	95.1	96.0	96.5	96.8	0.80	0.82	0.81	0.76	20625	1.85	0.70	3.7	51	2130	o.r.
1600	1SQ7 503-8PA60-0C.2	740	194	94.9	95.9	96.5	96.8	0.80	0.83	0.81	0.77	20641	1.85	0.45	3.5	65	2830	o.r.
1680	1SQ7 504-8PA60-0A.2	743	205	95.5	96.2	96.5	96.6	0.82	0.82	0.79	0.72	21626	2.05	0.80	4.2	56	2840	o.r.
1700	1SQ7 504-8PA60-0C.2	742	205	95.4	96.2	96.6	96.7	0.82	0.83	0.80	0.74	21881	2.10	0.55	3.9	72	3580	o.r.
1810	1SQ7 507-8PA60-0A.2	743	220	95.6	96.3	96.7	96.7	0.82	0.82	0.79	0.72	23296	2.10	0.80	4.2	63	3670	o.r.
1840	1SQ7 507-8PA60-0C.2	742	220	95.6	96.3	96.7	96.9	0.82	0.83	0.82	0.74	23674	2.10	0.60	4.0	80	4640	o.r.
2000	1SQ7 508-8PA60-0A.2	743	245	95.8	96.4	96.7	96.7	0.81	0.82	0.80	0.72	25731	2.15	0.85	4.4	69	3790	o.r.
2000	1SQ7 508-8PA60-0C.2	743	240	95.8	96.4	96.8	96.9	0.82	0.83	0.81	0.73	25739	2.20	0.60	4.2	88	4780	o.r.
2300	1SQ7 563-8PA60-0C.2	743	275	95.6	96.3	96.7	96.6	0.82	0.83	0.81	0.75	29553	2.00	0.55	4.4	124	3025	o.r.
2600	1SQ7 564-8PA60-0C.2	743	315	95.8	96.4	96.8	96.7	0.83	0.83	0.82	0.76	33406	2.00	0.60	4.5	137	3315	o.r.
2900	1SQ7 567-8PA60-0C.2	744	350	96.0	96.5	96.9	96.8	0.83	0.83	0.81	0.74	37262	2.15	0.60	4.7	150	3950	o.r.
3300	1SQ7 568-8PA60-0C.2	744	395	96.2	96.7	97.0	96.9	0.83	0.83	0.81	0.75	42419	2.10	0.60	4.6	165	5680	o.r.
3350	1SQ8 633-8PA60-0C.0	742	395	95.2	96.0	96.4	96.3	0.83	0.85	0.83	0.77	43113	1.80	0.40	3.8	216	3390	o.r.
3900	1SQ8 634-8PA60-0C.0	742	455	95.6	96.3	96.5	96.4	0.84	0.86	0.83	0.76	50192	1.90	0.45	4.1	251	3760	o.r.
4550	1SQ8 637-8PA60-0C.0	743	530	96.0	96.5	96.7	96.5	0.85	0.86	0.82	0.75	58478	2.05	0.50	4.4	292	5960	o.r.
4800	1SQ8 638-8PA60-0C.0	743	560	96.2	96.7	96.8	96.6	0.85	0.86	0.83	0.76	61691	2.10	0.50	4.5	326	6970	o.r.
5400	1SQ8 712-8PA60-0C.0	744	580	96.4	96.8	97.0	96.8	0.85	0.86	0.82	0.75	69309	2.15	0.45	4.6	422	5600	o.r.
5900	1SQ8 713-8PA60-0C.0	745	650	96.4	96.9	97.0	96.8	0.86	0.86	0.83	0.75	75625	2.25	0.50	4.8	474	6410	o.r.
6900	1SQ8 714-8PA60-0C.0	745	720	96.6	97.0	97.1	96.9	0.86	0.87	0.83	0.76	88443	2.25	0.50	4.8	542	7220	o.r.
7800	1SQ8 717-8PA60-0C.0	745	820	96.8	97.1	97.2	96.9	0.86	0.87	0.82	0.74	99979	2.35	0.50	5.0	619	8530	o.r.
8300	1SQ8 718-8PA60-0C.0	745	910	96.9	97.2	97.2	97.0	0.87	0.87	0.83	0.75	106388	2.45	0.60	5.2	682	9540	o.r.



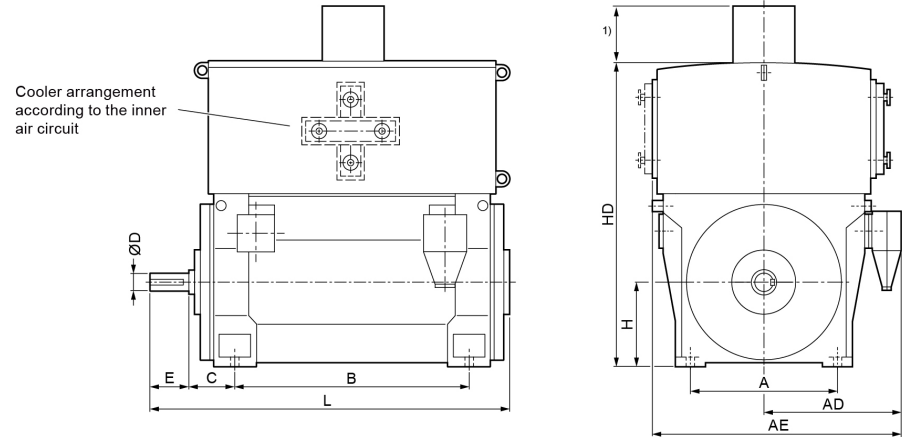
Motor type	Weight	Dimensions										
		A	AD	AE	B	C	D	E	H	HD	L	ML
	kg	mm	mm	mm	mm	mm	mm	mm	mm	mm	mm	mm
Innomotics HV M - 1SQ. IC86W 6000 V / 50 Hz B3 (IM 1001) - Dimension drawings												
2-pole												
1SQ7 453-2PA60-0AA0	4400	850	925	1545	1180	250	95	130	450	2350	1790	o.r.
1SQ7 453-2PA60-0AC0	4300	850	925	1545	1180	475	95	130	450	2350	2010	o.r.
1SQ7 453-2PA60-0CA0	4550	850	925	1545	1180	250	95	130	450	2350	1790	o.r.
1SQ7 453-2PA60-0CC0	4450	850	925	1545	1180	475	95	130	450	2350	2010	o.r.
1SQ7 454-2PA60-0AA2	4550	850	925	1545	1180	250	95	130	450	2350	1790	o.r.
1SQ7 454-2PA60-0AC2	4450	850	925	1545	1180	475	95	130	450	2350	2010	o.r.
1SQ7 454-2PA60-0CA0	4650	850	925	1545	1180	250	95	130	450	2350	1790	o.r.
1SQ7 454-2PA60-0CC0	4600	850	925	1545	1180	475	95	130	450	2350	2010	o.r.
1SQ7 457-2PA60-0AA2	4900	850	925	1545	1400	250	95	130	450	2350	2000	o.r.
1SQ7 457-2PA60-0AC2	4800	850	925	1545	1400	475	95	130	450	2350	2220	o.r.
1SQ7 457-2PA60-0CA0	5050	850	925	1545	1400	250	95	130	450	2350	2000	o.r.
1SQ7 457-2PA60-0CC0	4950	850	925	1545	1400	475	95	130	450	2350	2220	o.r.
1SQ7 458-2PA60-0AA2	5100	850	925	1545	1400	250	95	130	450	2350	2000	o.r.
1SQ7 458-2PA60-0AC2	5000	850	925	1545	1400	475	95	130	450	2350	2220	o.r.
1SQ7 458-2PA60-0CA0	5250	850	925	1545	1400	250	95	130	450	2350	2000	o.r.
1SQ7 458-2PA60-0CC0	5200	850	925	1545	1400	475	95	130	450	2350	2220	o.r.
1SQ7 503-2PA60-0AA0	5850	950	1005	1705	1320	250	110	165	500	2640	2000	o.r.
1SQ7 503-2PA60-0AC0	5800	950	1005	1705	1320	530	120	165	500	2640	2280	o.r.
1SQ7 503-2PA60-0CA0	6000	950	1005	1705	1320	250	110	165	500	2640	2000	o.r.
1SQ7 503-2PA60-0CC0	5950	950	1005	1705	1320	530	120	165	500	2640	2280	o.r.
1SQ7 504-2PA60-0AA0	5950	950	1005	1705	1320	250	110	165	500	2640	2000	o.r.
1SQ7 504-2PA60-0AC0	5850	950	1005	1705	1320	530	120	165	500	2640	2280	o.r.



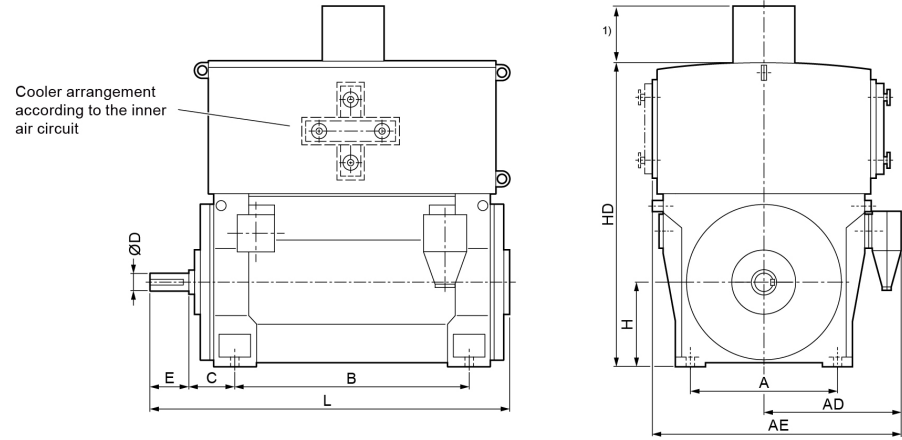
Motor type	Weight	Dimensions											
		A	AD	AE	B	C	D	E	H	HD	L	ML	
	kg	mm	mm	mm	mm	mm	mm	mm	mm	mm	mm	mm	mm
Innomotics HV M - 1SQ. IC86W 6000 V / 50 Hz B3 (IM 1001) - Dimension drawings													
1SQ7 504-2PA60-0CA0	6100	950	1005	1705	1320	250	110	165	500	2640	2000	o.r.	
1SQ7 504-2PA60-0CC0	6000	950	1005	1705	1320	530	120	165	500	2640	2280	o.r.	
1SQ7 507-2PA60-0AA0	6650	950	1005	1705	1500	250	110	165	500	2640	2210	o.r.	
1SQ7 507-2PA60-0AC0	6550	950	1005	1705	1500	530	120	165	500	2640	2490	o.r.	
1SQ7 507-2PA60-0CA2	6800	950	1005	1705	1500	250	110	165	500	2640	2210	o.r.	
1SQ7 507-2PA60-0CC2	6750	950	1005	1705	1500	530	120	165	500	2640	2490	o.r.	
1SQ7 508-2PA60-0AA2	6950	950	1005	1705	1500	250	110	165	500	2640	2210	o.r.	
1SQ7 508-2PA60-0AC2	6850	950	1005	1705	1500	530	120	165	500	2640	2490	o.r.	
1SQ7 508-2PA60-0CA2	7100	950	1005	1705	1500	250	110	165	500	2640	2210	o.r.	
1SQ7 508-2PA60-0CC2	7050	950	1005	1705	1500	530	120	165	500	2640	2490	o.r.	
1SQ7 562-2PA60-0CC2	8050	1060	1290	2060	1400	600	150	200	560	2830	2530	o.r.	
1SQ7 563-2PA60-0CC2	8350	1060	1290	2060	1400	600	150	200	560	2830	2530	o.r.	
1SQ7 564-2PA60-0CC2	8550	1060	1290	2060	1400	600	150	200	560	2830	2530	o.r.	
1SQ7 567-2PA60-0CC2	9400	1060	1290	2060	1600	600	150	200	560	2830	2760	o.r.	
1SQ7 568-2PA60-0CC2	10000	1060	1290	2060	1600	600	150	200	560	2830	2760	o.r.	
1SQ8 633-2PA60-0CJ0	10150	1320	1520	2520	1600	560	160	240	630	3090	2760	o.r.	
1SQ8 634-2PA60-0CJ0	10650	1320	1520	2520	1600	560	160	240	630	3090	2760	o.r.	
1SQ8 637-2PA60-0CJ0	11500	1320	1520	2520	1800	560	160	240	630	3090	2960	o.r.	
1SQ8 638-2PA60-0CJ0	12100	1320	1520	2520	1800	560	160	240	630	3090	2960	o.r.	
1SQ8 712-2PA60-0CJ0	13550	1500	1620	2720	2000	560	180	240	710	3360	3150	o.r.	
1SQ8 713-2PA60-0CJ0	14200	1500	1620	2720	2000	560	180	240	710	3360	3150	o.r.	
1SQ8 714-2PA60-0CJ0	14800	1500	1620	2720	2000	560	180	240	710	3360	3150	o.r.	
1SQ8 716-2PA60-0CJ0	15800	1500	1620	2720	2240	560	180	240	710	3360	3390	o.r.	



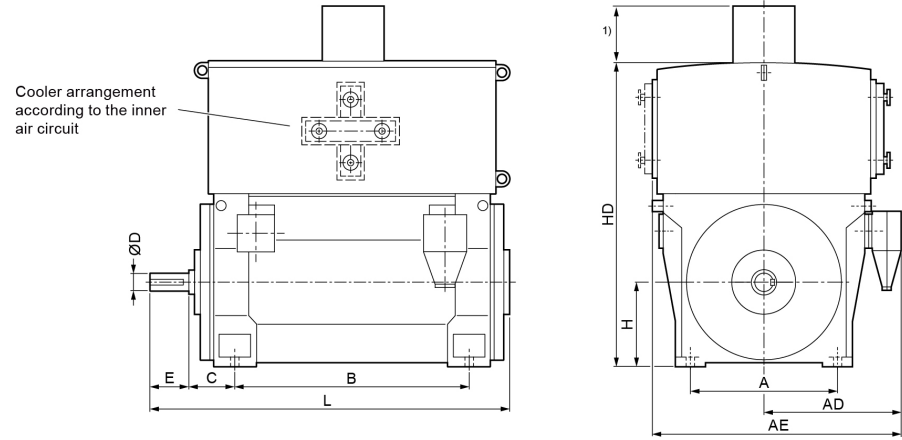
Motor type	Weight	Dimensions											
		A	AD	AE	B	C	D	E	H	HD	L	ML	
	kg	mm	mm	mm	mm	mm	mm	mm	mm	mm	mm	mm	mm
Innomotics HV M - 1SQ. IC86W 6000 V / 50 Hz B3 (IM 1001) - Dimension drawings													
1SQ8 717-2PA60-0CJ0	16700	1500	1620	2720	2240	560	180	240	710	3360	3390	o.r.	
1SQ8 718-2PA60-0CJ0	17700	1500	1620	2720	2240	560	180	240	710	3360	3390	o.r.	
4-pole													
1SQ7 453-4PA60-0CA2	4550	850	925	1545	1180	250	130	200	450	1940	2290	o.r.	
1SQ7 453-4PA60-0CC2	4600	850	925	1545	1180	500	130	200	450	1940	2540	o.r.	
1SQ7 453-4PA60-0AA0	4400	850	925	1545	1180	250	130	200	450	1940	2290	o.r.	
1SQ7 453-4PA60-0AC0	4450	850	925	1545	1180	500	130	200	450	1940	2540	o.r.	
1SQ7 454-4PA60-0AA0	4600	850	925	1545	1180	250	130	200	450	1940	2290	o.r.	
1SQ7 454-4PA60-0AC0	4600	850	925	1545	1180	500	130	200	450	1940	2540	o.r.	
1SQ7 454-4PA60-0CA2	4750	850	925	1545	1180	250	130	200	450	1940	2290	o.r.	
1SQ7 454-4PA60-0CC2	4750	850	925	1545	1180	500	130	200	450	1940	2540	o.r.	
1SQ7 457-4PA60-0AA2	5150	850	925	1545	1400	250	130	200	450	1940	2500	o.r.	
1SQ7 457-4PA60-0AC2	5200	850	925	1545	1400	500	130	200	450	1940	2750	o.r.	
1SQ7 457-4PA60-0CA2	5350	850	925	1545	1400	250	130	200	450	1940	2500	o.r.	
1SQ7 457-4PA60-0CC2	5350	850	925	1545	1400	500	130	200	450	1940	2750	o.r.	
1SQ7 458-4PA60-0AA0	5350	850	925	1545	1400	250	130	200	450	1940	2500	o.r.	
1SQ7 458-4PA60-0AC0	5400	850	925	1545	1400	500	130	200	450	1940	2750	o.r.	
1SQ7 458-4PA60-0CA2	5550	850	925	1545	1400	250	130	200	450	1940	2500	o.r.	
1SQ7 458-4PA60-0CC2	5600	850	925	1545	1400	500	130	200	450	1940	2750	o.r.	
1SQ7 503-4PA60-0AA2	6150	950	1005	1705	1320	315	160	240	500	2640	2140	o.r.	
1SQ7 503-4PA60-0AC2	6200	950	1005	1705	1320	560	170	240	500	2640	2380	o.r.	
1SQ7 503-4PA60-0CA2	6250	950	1005	1705	1320	315	160	240	500	2640	2140	o.r.	
1SQ7 503-4PA60-0CC2	6350	950	1005	1705	1320	560	170	240	500	2640	2380	o.r.	



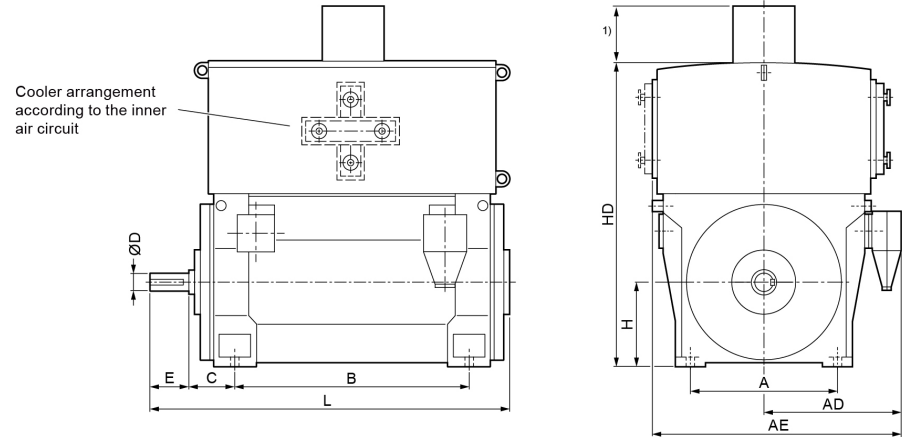
Motor type	Weight	Dimensions										
		A	AD	AE	B	C	D	E	H	HD	L	ML
	kg	mm	mm	mm	mm	mm	mm	mm	mm	mm	mm	mm
Innomotics HV M - 1SQ. IC86W 6000 V / 50 Hz B3 (IM 1001) - Dimension drawings												
1SQ7 504-4PA60-0AA2	6400	950	1005	1705	1320	315	160	240	500	2640	2140	o.r.
1SQ7 504-4PA60-0AC2	6500	950	1005	1705	1320	560	170	240	500	2640	2380	o.r.
1SQ7 504-4PA60-0CA2	6550	950	1005	1705	1320	315	160	240	500	2640	2140	o.r.
1SQ7 504-4PA60-0CC2	6650	950	1005	1705	1320	560	170	240	500	2640	2380	o.r.
1SQ7 507-4PA60-0AA2	7100	950	1005	1705	1500	315	160	240	500	2640	2350	o.r.
1SQ7 507-4PA60-0AC2	7200	950	1005	1705	1500	560	170	240	500	2640	2590	o.r.
1SQ7 507-4PA60-0CA2	7250	950	1005	1705	1500	315	160	240	500	2640	2350	o.r.
1SQ7 507-4PA60-0CC2	7350	950	1005	1705	1500	560	170	240	500	2640	2590	o.r.
1SQ7 508-4PA60-0CA2	7600	950	1005	1705	1500	315	160	240	500	2640	2350	o.r.
1SQ7 508-4PA60-0CC2	7700	950	1005	1705	1500	560	170	240	500	2640	2590	o.r.
1SQ7 508-4PA60-0AA2	7350	950	1005	1705	1500	315	160	240	500	2640	2350	o.r.
1SQ7 508-4PA60-0AC2	7450	950	1005	1705	1500	560	170	240	500	2640	2590	o.r.
1SQ7 562-4PA60-0CA2	8150	1060	1290	2060	1400	335	190	280	560	2830	2340	o.r.
1SQ7 562-4PA60-0CC2	8250	1060	1290	2060	1400	600	190	280	560	2830	2610	o.r.
1SQ7 563-4PA60-0CA2	8400	1060	1290	2060	1400	335	190	280	560	2830	2340	o.r.
1SQ7 563-4PA60-0CC2	8450	1060	1290	2060	1400	600	190	280	560	2830	2610	o.r.
1SQ7 564-4PA60-0CA2	8900	1060	1290	2060	1400	335	190	280	560	2830	2340	o.r.
1SQ7 564-4PA60-0CC2	8950	1060	1290	2060	1400	600	190	280	560	2830	2610	o.r.
1SQ7 566-4PA60-0CA2	9700	1060	1290	2060	1600	335	190	280	560	2830	2570	o.r.
1SQ7 566-4PA60-0CC2	9750	1060	1290	2060	1600	600	190	280	560	2830	2840	o.r.
1SQ7 567-4PA60-0CA2	10200	1060	1290	2060	1600	335	190	280	560	2830	2570	o.r.
1SQ7 567-4PA60-0CC2	10250	1060	1290	2060	1600	600	190	280	560	2830	2840	o.r.
1SQ7 568-4PA60-0CA2	10600	1060	1290	2060	1600	335	190	280	560	2830	2570	o.r.



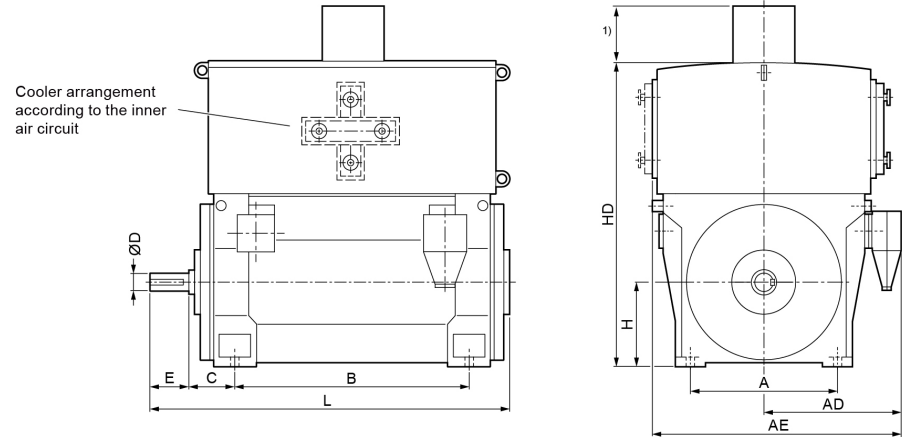
Motor type	Weight	Dimensions										
		A	AD	AE	B	C	D	E	H	HD	L	ML
	kg	mm	mm	mm	mm	mm	mm	mm	mm	mm	mm	mm
Innomotics HV M - 1SQ. IC86W 6000 V / 50 Hz B3 (IM 1001) - Dimension drawings												
1SQ7 568-4PA60-0CC2	10700	1060	1290	2060	1600	600	190	280	560	2830	2840	o.r.
1SQ8 633-4PA60-0CG0	10850	1320	1520	2520	1600	375	200	280	630	3090	2620	o.r.
1SQ8 633-4PA60-0CJ0	10950	1320	1520	2520	1600	630	200	280	630	3090	2870	o.r.
1SQ8 634-4PA60-0CG0	11300	1320	1520	2520	1600	375	200	280	630	3090	2620	o.r.
1SQ8 634-4PA60-0CJ0	11400	1320	1520	2520	1600	630	200	280	630	3090	2870	o.r.
1SQ8 637-4PA60-0CG0	12150	1320	1520	2520	1800	375	200	280	630	3090	2820	o.r.
1SQ8 637-4PA60-0CJ0	12250	1320	1520	2520	1800	630	200	280	630	3090	3070	o.r.
1SQ8 638-4PA60-0CG0	12850	1320	1520	2520	1800	375	200	280	630	3090	2820	o.r.
1SQ8 638-4PA60-0CJ0	12950	1320	1520	2520	1800	630	200	280	630	3090	3070	o.r.
1SQ8 712-4PA60-0CG0	14750	1500	1620	2720	2000	375	220	280	710	3360	3010	o.r.
1SQ8 712-4PA60-0CJ0	14850	1500	1620	2720	2000	630	220	280	710	3360	3260	o.r.
1SQ8 713-4PA60-0CG0	15400	1500	1620	2720	2000	375	220	280	710	3360	3010	o.r.
1SQ8 713-4PA60-0CJ0	15550	1500	1620	2720	2000	630	220	280	710	3360	3260	o.r.
1SQ8 714-4PA60-0CG0	16250	1500	1620	2720	2000	375	220	280	710	3360	3010	o.r.
1SQ8 714-4PA60-0CJ0	16350	1500	1620	2720	2000	630	220	280	710	3360	3260	o.r.
1SQ8 717-4PA60-0CG0	17350	1500	1620	2720	2240	375	220	280	710	3360	3250	o.r.
1SQ8 717-4PA60-0CJ0	17500	1500	1620	2720	2240	630	220	280	710	3360	3500	o.r.
1SQ8 718-4PA60-0CG0	17900	1500	1620	2720	2240	375	220	280	710	3360	3250	o.r.
1SQ8 718-4PA60-0CJ0	18050	1500	1620	2720	2240	630	220	280	710	3360	3500	o.r.
6-pole												
1SQ7 453-6PA60-0AA0	4400	850	925	1545	1180	250	130	200	450	1940	2290	o.r.
1SQ7 453-6PA60-0AC0	4450	850	925	1545	1180	500	130	200	450	1940	2540	o.r.
1SQ7 453-6PA60-0CA0	4550	850	925	1545	1180	250	130	200	450	1940	2290	o.r.



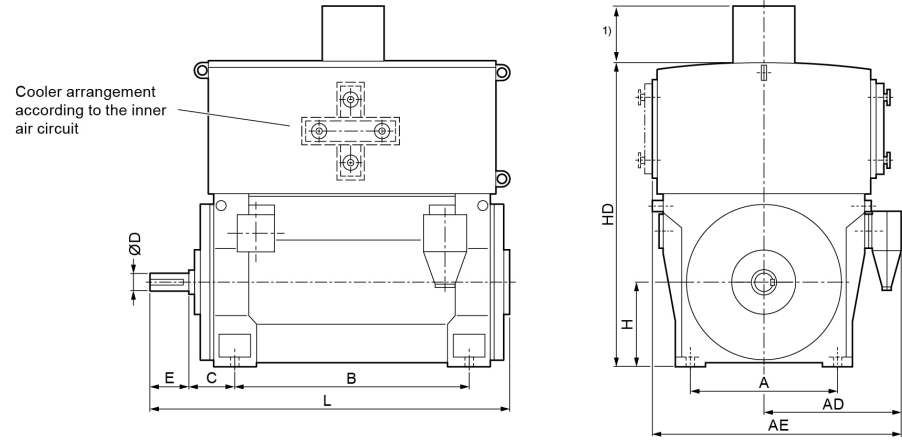
Motor type	Weight	Dimensions										
		A	AD	AE	B	C	D	E	H	HD	L	ML
	kg	mm	mm	mm	mm	mm	mm	mm	mm	mm	mm	mm
Innomotics HV M - 1SQ. IC86W 6000 V / 50 Hz B3 (IM 1001) - Dimension drawings												
1SQ7 453-6PA60-0CC0	4600	850	925	1545	1180	500	130	200	450	1940	2540	o.r.
1SQ7 454-6PA60-0AA0	4600	850	925	1545	1180	250	130	200	450	1940	2290	o.r.
1SQ7 454-6PA60-0AC0	4650	850	925	1545	1180	500	130	200	450	1940	2540	o.r.
1SQ7 454-6PA60-0CA0	4750	850	925	1545	1180	250	130	200	450	1940	2290	o.r.
1SQ7 454-6PA60-0CC0	4800	850	925	1545	1180	500	130	200	450	1940	2540	o.r.
1SQ7 457-6PA60-0AA0	5050	850	925	1545	1400	250	130	200	450	1940	2500	o.r.
1SQ7 457-6PA60-0AC0	5100	850	925	1545	1400	500	130	200	450	1940	2750	o.r.
1SQ7 457-6PA60-0CA0	5250	850	925	1545	1400	250	130	200	450	1940	2500	o.r.
1SQ7 457-6PA60-0CC0	5250	850	925	1545	1400	500	130	200	450	1940	2750	o.r.
1SQ7 458-6PA60-0AA0	5350	850	925	1545	1400	250	130	200	450	1940	2500	o.r.
1SQ7 458-6PA60-0AC0	5350	850	925	1545	1400	500	130	200	450	1940	2750	o.r.
1SQ7 458-6PA60-0CA0	5550	850	925	1545	1400	250	130	200	450	1940	2500	o.r.
1SQ7 458-6PA60-0CC0	5550	850	925	1545	1400	500	130	200	450	1940	2750	o.r.
1SQ7 502-6PA60-0AA2	6000	950	1005	1705	1320	315	160	240	500	2230	2520	o.r.
1SQ7 502-6PA60-0AC2	6050	950	1005	1705	1320	560	170	240	500	2230	2760	o.r.
1SQ7 502-6PA60-0CA2	6150	950	1005	1705	1320	315	160	240	500	2230	2520	o.r.
1SQ7 502-6PA60-0CC2	6200	950	1005	1705	1320	560	170	240	500	2230	2760	o.r.
1SQ7 503-6PA60-0AA2	6250	950	1005	1705	1320	315	160	240	500	2230	2520	o.r.
1SQ7 503-6PA60-0AC2	6300	950	1005	1705	1320	560	170	240	500	2230	2760	o.r.
1SQ7 503-6PA60-0CA2	6450	950	1005	1705	1320	315	160	240	500	2230	2520	o.r.
1SQ7 503-6PA60-0CC2	6500	950	1005	1705	1320	560	170	240	500	2230	2760	o.r.
1SQ7 504-6PA60-0AA2	6450	950	1005	1705	1320	315	160	240	500	2230	2520	o.r.
1SQ7 504-6PA60-0AC2	6500	950	1005	1705	1320	560	170	240	500	2230	2760	o.r.



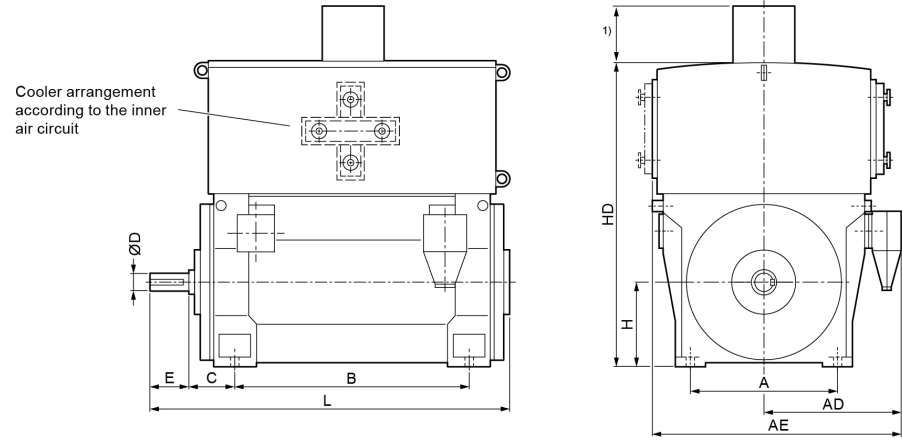
Motor type	Weight	Dimensions										
		A	AD	AE	B	C	D	E	H	HD	L	ML
	kg	mm	mm	mm	mm	mm	mm	mm	mm	mm	mm	mm
Innomotics HV M - 1SQ. IC86W 6000 V / 50 Hz B3 (IM 1001) - Dimension drawings												
1SQ7 504-6PA60-0CA2	6700	950	1005	1705	1320	315	160	240	500	2230	2520	o.r.
1SQ7 504-6PA60-0CC2	6750	950	1005	1705	1320	560	170	240	500	2230	2760	o.r.
1SQ7 507-6PA60-0AA2	7150	950	1005	1705	1500	315	160	240	500	2230	2730	o.r.
1SQ7 507-6PA60-0AC2	7200	950	1005	1705	1500	560	170	240	500	2230	2970	o.r.
1SQ7 507-6PA60-0CA2	7400	950	1005	1705	1500	315	160	240	500	2230	2730	o.r.
1SQ7 507-6PA60-0CC2	7500	950	1005	1705	1500	560	170	240	500	2230	2970	o.r.
1SQ7 508-6PA60-0AA2	7500	950	1005	1705	1500	315	160	240	500	2230	2730	o.r.
1SQ7 508-6PA60-0AC2	7550	950	1005	1705	1500	560	170	240	500	2230	2970	o.r.
1SQ7 508-6PA60-0CA2	7750	950	1005	1705	1500	315	160	240	500	2230	2730	o.r.
1SQ7 508-6PA60-0CC2	7850	950	1005	1705	1500	560	170	240	500	2230	2970	o.r.
1SQ7 562-6PA60-0CA2	8800	1060	1290	2060	1400	335	190	280	560	2680	2770	o.r.
1SQ7 562-6PA60-0CC2	8850	1060	1290	2060	1400	600	190	280	560	2680	3030	o.r.
1SQ7 563-6PA60-0CA2	9100	1060	1290	2060	1400	335	190	280	560	2680	2770	o.r.
1SQ7 563-6PA60-0CC2	9150	1060	1290	2060	1400	600	190	280	560	2680	3030	o.r.
1SQ7 564-6PA60-0CA2	9450	1060	1290	2060	1400	335	190	280	560	2680	2770	o.r.
1SQ7 564-6PA60-0CC2	9550	1060	1290	2060	1400	600	190	280	560	2680	3030	o.r.
1SQ7 567-6PA60-0CA2	10250	1060	1290	2060	1600	335	190	280	560	2680	3000	o.r.
1SQ7 567-6PA60-0CC2	10350	1060	1290	2060	1600	600	190	280	560	2680	3260	o.r.
1SQ7 568-6PA60-0CA2	10900	1060	1290	2060	1600	335	190	280	560	2680	3000	o.r.
1SQ7 568-6PA60-0CC2	10950	1060	1290	2060	1600	600	190	280	560	2680	3260	o.r.
1SQ8 632-6PA60-0CG0	10800	1320	1520	2520	1600	375	200	280	630	3090	2620	o.r.
1SQ8 632-6PA60-0CJ0	10900	1320	1520	2520	1600	630	200	280	630	3090	2870	o.r.
1SQ8 633-6PA60-0CG0	11150	1320	1520	2520	1600	375	200	280	630	3090	2620	o.r.



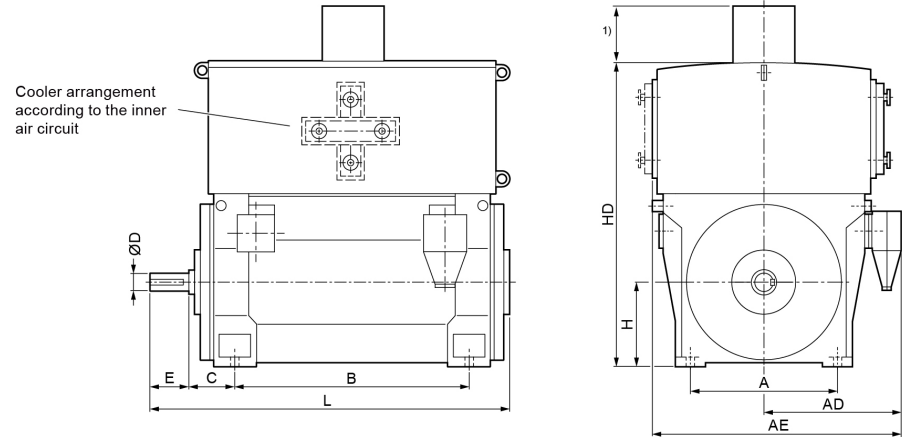
Motor type	Weight	Dimensions										
		A	AD	AE	B	C	D	E	H	HD	L	ML
	kg	mm	mm	mm	mm	mm	mm	mm	mm	mm	mm	mm
Innomotics HV M - 1SQ. IC86W 6000 V / 50 Hz B3 (IM 1001) - Dimension drawings												
1SQ8 633-6PA60-0CJ0	11250	1320	1520	2520	1600	630	200	280	630	3090	2870	o.r.
1SQ8 634-6PA60-0CG0	11750	1320	1520	2520	1600	375	200	280	630	3090	2620	o.r.
1SQ8 634-6PA60-0CJ0	11900	1320	1520	2520	1600	630	200	280	630	3090	2870	o.r.
1SQ8 637-6PA60-0CG0	12550	1320	1520	2520	1800	375	200	280	630	3090	2820	o.r.
1SQ8 637-6PA60-0CJ0	12650	1320	1520	2520	1800	630	200	280	630	3090	3070	o.r.
1SQ8 638-6PA60-0CG0	13100	1320	1520	2520	1800	375	200	280	630	3090	2820	o.r.
1SQ8 638-6PA60-0CJ0	13200	1320	1520	2520	1800	630	200	280	630	3090	3070	o.r.
1SQ8 712-6PA60-0CG0	14550	1500	1620	2720	2000	375	220	280	710	3360	3010	o.r.
1SQ8 712-6PA60-0CJ0	14700	1500	1620	2720	2000	630	220	280	710	3360	3260	o.r.
1SQ8 713-6PA60-0CG0	15550	1500	1620	2720	2000	375	220	280	710	3360	3010	o.r.
1SQ8 713-6PA60-0CJ0	15700	1500	1620	2720	2000	630	220	280	710	3360	3260	o.r.
1SQ8 714-6PA60-0CG0	16600	1500	1620	2720	2000	375	220	280	710	3360	3010	o.r.
1SQ8 714-6PA60-0CJ0	16750	1500	1620	2720	2000	630	220	280	710	3360	3260	o.r.
1SQ8 717-6PA60-0CG0	18000	1500	1620	2720	2240	375	220	280	710	3360	3250	o.r.
1SQ8 717-6PA60-0CJ0	18150	1500	1620	2720	2240	630	220	280	710	3360	3500	o.r.
1SQ8 718-6PA60-0CG0	18950	1500	1620	2720	2240	375	220	280	710	3360	3250	o.r.
1SQ8 718-6PA60-0CJ0	19100	1500	1620	2720	2240	630	220	280	710	3360	3500	o.r.
8-pole												
1SQ7 452-8PA60-0AA0	4400	850	925	1545	1180	250	130	200	450	1940	2290	o.r.
1SQ7 452-8PA60-0AC0	4400	850	925	1545	1180	500	130	200	450	1940	2540	o.r.
1SQ7 452-8PA60-0CA0	4550	850	925	1545	1180	250	130	200	450	1940	2290	o.r.
1SQ7 452-8PA60-0CC0	4550	850	925	1545	1180	500	130	200	450	1940	2540	o.r.
1SQ7 453-8PA60-0AA0	4600	850	925	1545	1180	250	130	200	450	1940	2290	o.r.



Motor type	Weight	Dimensions										
		A	AD	AE	B	C	D	E	H	HD	L	ML
	kg	mm	mm	mm	mm	mm	mm	mm	mm	mm	mm	mm
Innomotics HV M - 1SQ. IC86W 6000 V / 50 Hz B3 (IM 1001) - Dimension drawings												
1SQ7 453-8PA60-0AC0	4650	850	925	1545	1180	500	130	200	450	1940	2540	o.r.
1SQ7 453-8PA60-0CA0	4750	850	925	1545	1180	250	130	200	450	1940	2290	o.r.
1SQ7 453-8PA60-0CC0	4800	850	925	1545	1180	500	130	200	450	1940	2540	o.r.
1SQ7 454-8PA60-0AA2	4850	850	925	1545	1180	250	130	200	450	1940	2290	o.r.
1SQ7 454-8PA60-0AC2	4850	850	925	1545	1180	500	130	200	450	1940	2540	o.r.
1SQ7 454-8PA60-0CA0	5000	850	925	1545	1180	250	130	200	450	1940	2290	o.r.
1SQ7 454-8PA60-0CC0	5050	850	925	1545	1180	500	130	200	450	1940	2540	o.r.
1SQ7 457-8PA60-0AA0	5350	850	925	1545	1400	250	130	200	450	1940	2500	o.r.
1SQ7 457-8PA60-0AC0	5350	850	925	1545	1400	500	130	200	450	1940	2750	o.r.
1SQ7 457-8PA60-0CA2	5500	850	925	1545	1400	250	130	200	450	1940	2500	o.r.
1SQ7 457-8PA60-0CC2	5550	850	925	1545	1400	500	130	200	450	1940	2750	o.r.
1SQ7 458-8PA60-0AA0	5600	850	925	1545	1400	250	130	200	450	1940	2500	o.r.
1SQ7 458-8PA60-0AC0	5600	850	925	1545	1400	500	130	200	450	1940	2750	o.r.
1SQ7 458-8PA60-0CA0	5800	850	925	1545	1400	250	130	200	450	1940	2500	o.r.
1SQ7 458-8PA60-0CC0	5800	850	925	1545	1400	500	130	200	450	1940	2750	o.r.
1SQ7 502-8PA60-0AA2	5950	950	1005	1705	1320	315	160	240	500	2230	2520	o.r.
1SQ7 502-8PA60-0AC2	6000	950	1005	1705	1320	560	170	240	500	2230	2760	o.r.
1SQ7 502-8PA60-0CA2	6150	950	1005	1705	1320	315	160	240	500	2230	2520	o.r.
1SQ7 502-8PA60-0CC2	6200	950	1005	1705	1320	560	170	240	500	2230	2760	o.r.
1SQ7 503-8PA60-0AA2	6200	950	1005	1705	1320	315	160	240	500	2230	2520	o.r.
1SQ7 503-8PA60-0AC2	6250	950	1005	1705	1320	560	170	240	500	2230	2760	o.r.
1SQ7 503-8PA60-0CA2	6450	950	1005	1705	1320	315	160	240	500	2230	2520	o.r.
1SQ7 503-8PA60-0CC2	6500	950	1005	1705	1320	560	170	240	500	2230	2760	o.r.



Motor type	Weight	Dimensions										
		A	AD	AE	B	C	D	E	H	HD	L	ML
	kg	mm	mm	mm	mm	mm	mm	mm	mm	mm	mm	mm
Innomotics HV M - 1SQ. IC86W 6000 V / 50 Hz B3 (IM 1001) - Dimension drawings												
1SQ7 504-8PA60-0AA2	6500	950	1005	1705	1320	315	160	240	500	2230	2520	o.r.
1SQ7 504-8PA60-0AC2	6550	950	1005	1705	1320	560	170	240	500	2230	2760	o.r.
1SQ7 504-8PA60-0CA2	6750	950	1005	1705	1320	315	160	240	500	2230	2520	o.r.
1SQ7 504-8PA60-0CC2	6800	950	1005	1705	1320	560	170	240	500	2230	2760	o.r.
1SQ7 507-8PA60-0AA2	7200	950	1005	1705	1500	315	160	240	500	2230	2730	o.r.
1SQ7 507-8PA60-0AC2	7250	950	1005	1705	1500	560	170	240	500	2230	2970	o.r.
1SQ7 507-8PA60-0CA2	7450	950	1005	1705	1500	315	160	240	500	2230	2730	o.r.
1SQ7 507-8PA60-0CC2	7500	950	1005	1705	1500	560	170	240	500	2230	2970	o.r.
1SQ7 508-8PA60-0AA2	7500	950	1005	1705	1500	315	160	240	500	2230	2730	o.r.
1SQ7 508-8PA60-0AC2	7550	950	1005	1705	1500	560	170	240	500	2230	2970	o.r.
1SQ7 508-8PA60-0CA2	7800	950	1005	1705	1500	315	160	240	500	2230	2730	o.r.
1SQ7 508-8PA60-0CC2	7850	950	1005	1705	1500	560	170	240	500	2230	2970	o.r.
1SQ7 563-8PA60-0CA2	8800	1060	1075	1845	1400	335	190	280	560	2680	2770	o.r.
1SQ7 563-8PA60-0CC2	8850	1060	1075	1845	1400	600	190	280	560	2680	3030	o.r.
1SQ7 564-8PA60-0CA2	9250	1060	1075	1845	1400	335	190	280	560	2680	2770	o.r.
1SQ7 564-8PA60-0CC2	9300	1060	1075	1845	1400	600	190	280	560	2680	3030	o.r.
1SQ7 567-8PA60-0CA2	10100	1060	1075	1845	1600	335	190	280	560	2680	3000	o.r.
1SQ7 567-8PA60-0CC2	10150	1060	1075	1845	1600	600	190	280	560	2680	3260	o.r.
1SQ7 568-8PA60-0CA2	10650	1060	1075	1845	1600	335	190	280	560	2680	3000	o.r.
1SQ7 568-8PA60-0CC2	10700	1060	1075	1845	1600	600	190	280	560	2680	3260	o.r.
1SQ8 633-8PA60-0CG0	10000	1320	1520	2520	1600	375	200	280	630	3090	2620	o.r.
1SQ8 633-8PA60-0CJ0	10100	1320	1520	2520	1600	630	200	280	630	3090	2870	o.r.
1SQ8 634-8PA60-0CG0	10750	1320	1520	2520	1600	375	200	280	630	3090	2620	o.r.



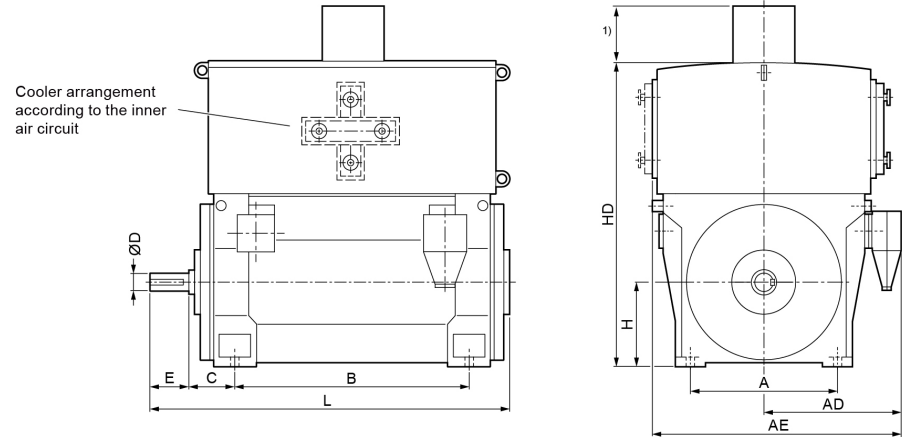
Motor type	Weight	Dimensions											
		A	AD	AE	B	C	D	E	H	HD	L	ML	
	kg	mm	mm	mm	mm	mm	mm	mm	mm	mm	mm	mm	mm
Innomotics HV M - 1SQ. IC86W 6000 V / 50 Hz B3 (IM 1001) - Dimension drawings													
1SQ8 634-8PA60-0CJ0	10850	1320	1520	2520	1600	630	200	280	630	3090	2870	o.r.	
1SQ8 637-8PA60-0CG0	11950	1320	1520	2520	1800	375	200	280	630	3090	2820	o.r.	
1SQ8 637-8PA60-0CJ0	12050	1320	1520	2520	1800	630	200	280	630	3090	3070	o.r.	
1SQ8 638-8PA60-0CG0	12650	1320	1520	2520	1800	375	200	280	630	3090	2820	o.r.	
1SQ8 638-8PA60-0CJ0	12750	1320	1520	2520	1800	630	200	280	630	3090	3070	o.r.	
1SQ8 712-8PA60-0CG0	14100	1500	1620	2720	2000	375	220	280	710	3270	3010	o.r.	
1SQ8 712-8PA60-0CJ0	14300	1500	1620	2720	2000	630	220	280	710	3270	3260	o.r.	
1SQ8 713-8PA60-0CG0	14850	1500	1620	2720	2000	375	220	280	710	3270	3010	o.r.	
1SQ8 713-8PA60-0CJ0	15000	1500	1620	2720	2000	630	220	280	710	3270	3260	o.r.	
1SQ8 714-8PA60-0CG0	16050	1500	1620	2720	2000	375	220	280	710	3270	3010	o.r.	
1SQ8 714-8PA60-0CJ0	16250	1500	1620	2720	2000	630	220	280	710	3270	3260	o.r.	
1SQ8 717-8PA60-0CG0	17650	1500	1620	2720	2240	375	220	280	710	3270	3250	o.r.	
1SQ8 717-8PA60-0CJ0	17850	1500	1620	2720	2240	630	220	280	710	3270	3500	o.r.	
1SQ8 718-8PA60-0CG0	18650	1500	1620	2720	2240	375	220	280	710	3270	3250	o.r.	
1SQ8 718-8PA60-0CJ0	18850	1500	1620	2720	2240	630	220	280	710	3270	3500	o.r.	

Innomotics HV M - 1SQ. IC86W 6600 V / 60 Hz B3 (IM 1001)																					
Rated power IEC	Article No.	Speed	Rated current				Efficiency				Power factor				Torque	Breakdown torque	Locked rotor torque	Locked rotor current	Inertia		
			I_R	5/4 load	4/4 load	3/4 load	2/4 load	5/4 load	4/4 load	3/4 load	2/4 load	5/4 load	4/4 load	3/4 load					2/4 load	T_R	T_B/ T_R
kW		rpm	A	%	%	%	%	cos φ	cos φ	cos φ	cos φ	Nm	[-]	[-]	[-]	[-]	kgm ²	kgm ²	[-]		
2-pole: n_{sync} = 3600 rpm at 60 Hz																					
1760	1SQ7 452-2PA10-0C.0	3572	182	95.5	96.1	96.2	95.8	0.86	0.88	0.88	0.87	4705	2.00	0.50	4.5	13	80	o.r.			
2000	1SQ7 453-2PA10-0A.0	3574	210	95.7	96.3	96.4	95.9	0.85	0.87	0.85	0.81	5344	2.05	0.40	5.0	10	15	o.r.			
2050	1SQ7 453-2PA10-0C.0	3572	210	95.6	96.3	96.3	95.9	0.86	0.88	0.88	0.87	5480	2.00	0.50	4.5	14	80	o.r.			
2150	1SQ7 454-2PA10-0A.0	3575	220	95.8	96.4	96.5	96.1	0.87	0.88	0.87	0.83	5743	2.20	0.50	5.1	11	20	o.r.			
2200	1SQ7 454-2PA10-0C.0	3573	225	95.8	96.4	96.4	96.1	0.88	0.89	0.90	0.88	5880	2.10	0.50	5.0	15	85	o.r.			
2400	1SQ7 457-2PA10-0A.0	3575	245	96.0	96.5	96.6	96.1	0.86	0.88	0.87	0.83	6411	2.20	0.50	5.2	12	20	o.r.			
2450	1SQ7 457-2PA10-0C.0	3574	250	95.9	96.5	96.6	96.2	0.87	0.89	0.89	0.88	6546	2.10	0.50	5.0	16	90	o.r.			
2550	1SQ7 458-2PA10-0A.0	3576	255	96.1	96.7	96.8	96.4	0.88	0.90	0.89	0.86	6809	2.30	0.55	5.5	13	25	o.r.			
2600	1SQ7 458-2PA10-0C.0	3574	260	96.1	96.6	96.8	96.4	0.89	0.91	0.91	0.90	6947	2.25	0.60	5.2	17	95	o.r.			
3150	1SQ7 503-2PA10-0C.0	3573	325	96.2	96.6	96.8	96.6	0.87	0.88	0.89	0.86	8419	2.15	0.60	4.2	20	62	o.r.			
3400	1SQ7 504-2PA10-0C.0	3573	350	96.3	96.7	96.9	96.7	0.87	0.88	0.89	0.84	9087	2.15	0.60	4.2	21	58	o.r.			
3800	1SQ7 507-2PA10-0C.0	3574	385	96.5	96.9	97.1	96.9	0.88	0.89	0.90	0.87	10153	2.20	0.65	4.4	24	64	o.r.			
4200	1SQ7 508-2PA10-0C.0	3578	420	96.8	97.1	97.2	96.9	0.90	0.90	0.90	0.86	11209	2.55	0.70	5.3	27	74	o.r.			
4910	1SQ7 562-2PA10-0CC0	3578	500	96.3	96.7	96.8	96.4	0.85	0.88	0.88	0.86	13104	2.00	0.50	4.6	41	145	o.r.			
5730	1SQ7 564-2PA10-0CC0	3581	590	96.5	96.9	96.9	96.4	0.86	0.88	0.88	0.86	15280	2.15	0.50	4.9	47	160	o.r.			
6010	1SQ7 567-2PA10-0CC0	3581	600	96.6	97.0	97.0	96.6	0.88	0.90	0.90	0.88	16027	2.30	0.50	5.2	52	180	o.r.			
6960	1SQ7 568-2PA10-0CC0	3583	700	96.9	97.2	97.2	96.8	0.88	0.90	0.89	0.87	18550	2.35	0.55	5.4	58	185	o.r.			
7500	1SQ8 632-2PA10-0CJ0	3579	780	96.5	97.0	96.8	96.1	0.84	0.87	0.88	0.88	20011	1.85	0.45	4.4	75	120	o.r.			
8350	1SQ8 633-2PA10-0CJ0	3580	850	96.7	97.1	96.9	96.3	0.85	0.88	0.89	0.89	22273	1.90	0.50	4.6	82	120	o.r.			
9200	1SQ8 634-2PA10-0CJ0	3580	930	97.0	97.3	97.1	96.4	0.87	0.89	0.90	0.89	24540	2.10	0.50	5.0	90	120	o.r.			
10400	1SQ8 637-2PA10-0CJ0	3581	1040	97.0	97.4	97.2	96.6	0.87	0.90	0.90	0.90	27733	2.10	0.55	5.0	99	100	o.r.			
11550	1SQ8 638-2PA10-0CJ0	3582	1160	97.2	97.5	97.3	96.8	0.88	0.90	0.91	0.90	30791	2.15	0.55	5.2	108	100	o.r.			
12400	1SQ8 713-2PA10-0CJ0	3584	1260	96.8	97.0	96.8	96.1	0.85	0.89	0.89	0.89	33039	1.80	0.40	4.1	160	50	o.r.			
13700	1SQ8 714-2PA10-0CJ0	3585	1360	97.1	97.2	97.0	96.3	0.88	0.90	0.90	0.90	36492	1.95	0.50	4.7	173	40	o.r.			
15300	1SQ8 716-2PA10-0CJ0	3585	1520	97.2	97.3	97.1	96.4	0.88	0.90	0.90	0.90	40754	2.00	0.55	4.8	186	30	o.r.			
16000	1SQ8 717-2PA10-0CJ0	3586	1580	97.3	97.4	97.1	96.4	0.89	0.91	0.91	0.90	42607	2.15	0.40	5.0	202	30	o.r.			
4-pole: n_{sync} = 1800 rpm at 60 Hz																					
1850	1SQ7 453-4PA10-0A.0	1779	194	95.2	96.0	96.4	96.3	0.86	0.87	0.85	0.80	9930	2.10	0.55	5.0	17	150	o.r.			
1930	1SQ7 453-4PA10-0C.0	1782	200	95.4	96.2	96.5	96.4	0.86	0.87	0.85	0.80	10342	2.05	0.45	4.5	23	270	o.r.			
2030	1SQ7 454-4PA10-0A.0	1781	210	95.5	96.2	96.5	96.4	0.87	0.88	0.85	0.79	10884	2.25	0.65	5.2	19	185	o.r.			
2110	1SQ7 454-4PA10-0C.0	1783	220	95.6	96.3	96.6	96.6	0.87	0.88	0.87	0.82	11301	2.05	0.45	4.5	25	300	o.r.			
2350	1SQ7 457-4PA10-0A.0	1782	240	95.9	96.5	96.7	96.6	0.88	0.88	0.86	0.79	12593	2.45	0.75	5.8	22	245	o.r.			
2450	1SQ7 457-4PA10-0C.0	1785	250	96.0	96.6	96.9	96.7	0.88	0.89	0.87	0.82	13107	2.20	0.50	5.0	30	385	o.r.			
2550	1SQ7 458-4PA10-0A.0	1782	260	96.0	96.6	96.8	96.7	0.88	0.89	0.87	0.81	13665	2.45	0.75	5.8	24	250	o.r.			
2700	1SQ7 458-4PA10-0C.0	1786	275	96.2	96.8	97.0	96.8	0.88	0.89	0.87	0.81	14436	2.35	0.55	5.2	32	415	o.r.			
3050	1SQ7 503-4PA10-0A.0	1784	315	96.2	96.8	97.1	97.0	0.86	0.87	0.87	0.83	16326	2.15	0.65	4.7	37	370	o.r.			

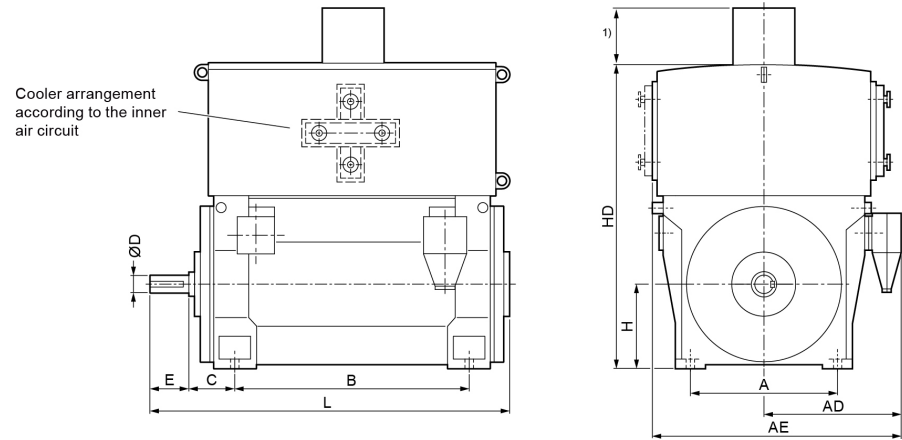
Innomotics HV M - 1SQ. IC86W 6600 V / 60 Hz B3 (IM 1001)																		
Rated power IEC	Article No.	Speed	Rated current I_R	Efficiency				Power factor				Torque T_R	Breakdown torque T_B/ T_R	Locked rotor torque T_{LR}/ T_R	Locked rotor current I_{LR}/ I_R	Inertia		
				5/4 load	4/4 load	3/4 load	2/4 load	5/4 load	4/4 load	3/4 load	2/4 load					motor	external	Startup max T/TR
kW		rpm	A	%	%	%	%	cos φ	cos φ	cos φ	cos φ	Nm	[-]	[-]	[-]	kgm ²	kgm ²	[-]
3000	1SQ7 503-4PA10-0C.0	1786	310	96.4	96.9	97.2	97.0	0.87	0.88	0.87	0.84	16040	2.10	0.50	4.4	45	235	o.r.
3400	1SQ7 504-4PA10-0A.0	1784	350	96.4	96.9	97.2	97.1	0.87	0.88	0.87	0.82	18199	2.25	0.70	5.0	40	480	o.r.
3450	1SQ7 504-4PA10-0C.0	1786	350	96.5	97.0	97.3	97.1	0.87	0.89	0.87	0.84	18446	2.20	0.50	4.5	50	550	o.r.
3750	1SQ7 507-4PA10-0A.0	1786	385	96.6	97.0	97.3	97.0	0.87	0.88	0.86	0.80	20050	2.40	0.80	5.4	46	415	o.r.
3800	1SQ7 507-4PA10-0C.0	1788	385	96.7	97.1	97.3	97.1	0.88	0.89	0.87	0.83	20295	2.40	0.55	5.0	56	465	o.r.
4000	1SQ7 508-4PA10-0A.0	1786	405	96.7	97.1	97.3	97.1	0.88	0.89	0.87	0.82	21387	2.60	0.90	5.8	50	405	o.r.
4100	1SQ7 508-4PA10-0C.0	1788	415	96.8	97.2	97.4	97.1	0.88	0.89	0.88	0.83	21897	2.45	0.60	5.1	62	440	o.r.
4400	1SQ7 563-4PA10-0C.0	1789	450	96.8	97.2	97.5	97.3	0.86	0.88	0.88	0.85	23486	2.00	0.55	4.8	80	470	o.r.
5000	1SQ7 564-4PA10-0C.0	1790	505	97.0	97.3	97.6	97.4	0.88	0.89	0.89	0.86	26674	2.15	0.65	5.2	90	520	o.r.
5650	1SQ7 566-4PA10-0C.0	1789	564	97.0	97.4	97.7	97.6	0.88	0.90	0.89	0.87	30158	2.10	0.60	5.1	100	565	o.r.
6300	1SQ7 567-4PA10-0C.0	1789	628	97.1	97.5	97.8	97.7	0.88	0.90	0.90	0.88	33628	2.10	0.60	5.1	110	610	o.r.
7100	1SQ7 568-4PA10-0C.0	1789	707	97.2	97.6	97.9	97.8	0.88	0.90	0.90	0.89	37898	2.00	0.60	4.9	119	640	o.r.
7800	1SQ8 633-4PA10-0C.0	1789	790	97.0	97.4	97.5	97.3	0.87	0.89	0.88	0.85	41635	2.05	0.50	5.0	151	310	o.r.
8950	1SQ8 634-4PA10-0C.0	1789	900	97.1	97.5	97.7	97.5	0.87	0.89	0.88	0.86	47773	2.05	0.50	5.0	166	310	o.r.
10100	1SQ8 637-4PA10-0C.0	1790	1020	97.3	97.6	97.7	97.5	0.87	0.89	0.88	0.85	53882	2.10	0.50	5.0	182	330	o.r.
10750	1SQ8 638-4PA10-0C.0	1790	1060	97.2	97.7	97.8	97.7	0.87	0.90	0.90	0.88	57349	2.10	0.50	5.0	198	370	o.r.
11100	1SQ8 712-4PA10-0C.0	1791	1120	97.4	97.6	97.7	97.4	0.88	0.89	0.88	0.85	59183	2.30	0.50	5.3	259	380	o.r.
12150	1SQ8 713-4PA10-0C.0	1791	1220	97.5	97.7	97.8	97.5	0.88	0.89	0.89	0.85	64782	2.40	0.50	5.7	284	410	o.r.
13500	1SQ8 714-4PA10-0C.0	1791	1340	97.5	97.8	97.8	97.6	0.88	0.90	0.89	0.86	71980	2.40	0.50	5.7	312	420	o.r.
15000	1SQ8 717-4PA10-0C.0	1791	1500	97.5	97.8	97.9	97.6	0.89	0.90	0.90	0.86	79977	2.40	0.50	5.8	346	460	o.r.
15400	1SQ8 718-4PA10-0C.0	1791	1520	97.6	97.8	97.9	97.7	0.90	0.91	0.91	0.88	82110	2.45	0.55	5.9	365	500	o.r.
6-pole: n_{sync} = 1200 rpm at 60 Hz																		
1420	1SQ7 452-6PA10-0A.0	1187	158	94.9	95.7	96.0	96.0	0.82	0.82	0.78	0.68	11424	2.10	0.70	5.0	20	480	o.r.
1580	1SQ7 453-6PA10-0A.0	1187	174	95.1	95.9	96.2	96.3	0.82	0.83	0.79	0.70	12711	2.10	0.70	5.0	22	595	o.r.
1600	1SQ7 453-6PA10-0C.0	1187	172	95.0	95.9	96.3	96.4	0.83	0.85	0.83	0.77	12872	2.00	0.55	4.5	30	790	o.r.
1720	1SQ7 454-6PA10-0A.0	1188	186	95.2	96.0	96.3	96.4	0.83	0.84	0.80	0.71	13826	2.10	0.70	5.0	24	640	o.r.
1750	1SQ7 454-6PA10-0C.0	1187	188	95.1	96.0	96.4	96.5	0.84	0.85	0.83	0.78	14079	2.00	0.55	4.5	33	835	o.r.
1880	1SQ7 457-6PA10-0A.0	1188	200	95.3	96.1	96.5	96.5	0.83	0.85	0.82	0.74	15112	2.10	0.70	5.0	28	710	o.r.
1900	1SQ7 457-6PA10-0C.0	1187	200	95.3	96.1	96.5	96.6	0.84	0.86	0.84	0.79	15285	2.05	0.55	4.6	36	950	o.r.
2070	1SQ7 458-6PA10-0A.0	1189	220	95.6	96.3	96.6	96.6	0.84	0.85	0.81	0.73	16625	2.20	0.80	5.4	31	780	o.r.
2100	1SQ7 458-6PA10-0C.0	1189	220	95.6	96.3	96.7	96.7	0.85	0.87	0.85	0.79	16866	2.20	0.65	5.0	41	990	o.r.
2520	1SQ7 503-6PA10-0A.0	1189	270	95.9	96.5	96.9	96.8	0.83	0.84	0.81	0.73	20239	2.15	0.80	4.6	46	1200	o.r.
2440	1SQ7 503-6PA10-0C.0	1191	260	96.1	96.7	97.0	96.9	0.84	0.85	0.83	0.77	19564	2.15	0.70	4.4	60	1250	o.r.
2820	1SQ7 504-6PA10-0A.0	1190	305	96.1	96.7	96.9	96.9	0.83	0.83	0.79	0.70	22629	2.25	0.90	4.7	51	1350	o.r.
2860	1SQ7 504-6PA10-0C.0	1191	305	96.3	96.8	97.1	97.0	0.84	0.85	0.82	0.76	22931	2.15	0.70	4.3	66	1400	o.r.
3050	1SQ7 507-6PA10-0A.0	1190	330	96.3	96.8	97.1	97.0	0.83	0.84	0.80	0.71	24475	2.30	0.85	4.9	58	1500	o.r.
3140	1SQ7 507-6PA10-0C.0	1191	335	96.4	97.0	97.2	97.1	0.84	0.85	0.83	0.77	25176	2.15	0.65	4.4	74	1550	o.r.

Innomotics HV M - 1SQ. IC86W 6600 V / 60 Hz B3 (IM 1001)																			
Rated power IEC	Article No.	Speed	Rated current I_R	Efficiency				Power factor				Torque T_R	Breakdown torque T_B/ T_R	Locked rotor torque T_{LR}/ T_R	Locked rotor current I_{LR}/ I_R	Inertia			
				5/4 load	4/4 load	3/4 load	2/4 load	5/4 load	4/4 load	3/4 load	2/4 load					motor	external	Startup max T/TR	
kW		rpm	A	%	%	%	%	cos φ	cos φ	cos φ	cos φ	Nm	[-]	[-]	[-]	kgm ²	kgm ²	[-]	
3250	1SQ7 508-6PA10-0C.0	1192	340	96.5	97.0	97.2	97.2	0.85	0.86	0.84	0.78	26036	2.20	0.75	4.5	81	1650	o.r.	
3160	1SQ7 508-6PA10-0A.0	1189	330	96.3	96.8	97.2	97.2	0.84	0.86	0.85	0.79	25379	2.15	0.85	4.7	63	1600	o.r.	
4000	1SQ7 562-6PA10-0C.0	1191	425	96.4	96.9	97.1	96.9	0.84	0.85	0.84	0.79	32072	2.20	0.60	4.8	105	1140	o.r.	
3550	1SQ7 562-6PA10-0H.0	1192	375	96.4	96.9	97.0	96.8	0.85	0.86	0.85	0.81	28440	2.25	0.60	5.0	105	1180	o.r.	
4650	1SQ7 567-6PA10-0C.0	1192	480	96.6	97.1	97.3	97.2	0.85	0.87	0.86	0.82	37252	2.25	0.60	5.0	134	1490	o.r.	
5100	1SQ7 568-6PA10-0C.0	1193	530	96.9	97.3	97.4	97.3	0.86	0.87	0.86	0.82	40823	2.35	0.65	5.2	150	1930	o.r.	
5900	1SQ8 632-6PA10-0C.0	1191	620	96.7	97.1	97.3	97.0	0.84	0.86	0.83	0.77	47305	2.10	0.50	4.8	193	1120	o.r.	
6650	1SQ8 633-6PA10-0C.0	1191	700	96.8	97.2	97.4	97.1	0.84	0.86	0.83	0.77	53319	2.10	0.53	4.8	209	1110	o.r.	
7150	1SQ8 634-6PA10-0C.0	1191	740	96.8	97.3	97.4	97.2	0.85	0.87	0.84	0.78	57328	2.10	0.54	4.8	227	1250	o.r.	
7800	1SQ8 637-6PA10-0C.0	1191	810	96.9	97.3	97.5	97.3	0.85	0.87	0.85	0.79	62539	2.10	0.55	4.8	247	1350	o.r.	
8350	1SQ8 638-6PA10-0C.0	1191	860	97.0	97.4	97.5	97.3	0.85	0.87	0.85	0.79	66949	2.15	0.56	4.9	265	1490	o.r.	
8900	1SQ8 712-6PA10-0C.0	1193	930	97.2	97.6	97.7	97.5	0.85	0.86	0.85	0.79	71240	2.15	0.50	5.1	331	1270	o.r.	
9750	1SQ8 713-6PA10-0C.0	1194	1000	97.3	97.6	97.7	97.5	0.85	0.87	0.84	0.78	77978	2.30	0.55	5.4	374	1550	o.r.	
10800	1SQ8 714-6PA10-0C.0	1194	1100	97.3	97.7	97.8	97.5	0.86	0.88	0.85	0.80	86376	2.30	0.55	5.4	424	1780	o.r.	
12000	1SQ8 717-6PA10-0C.0	1194	1220	97.4	97.7	97.9	97.6	0.87	0.88	0.86	0.80	95973	2.35	0.60	5.5	478	2080	o.r.	
13000	1SQ8 718-6PA10-0C.0	1194	1320	97.5	97.8	97.9	97.6	0.87	0.88	0.86	0.80	103971	2.45	0.60	5.5	524	2300	o.r.	
8-pole: $n_{sync} = 900$ rpm at 60 Hz																			
1040	1SQ7 452-8PA10-0A.0	889	120	94.3	95.3	95.6	95.3	0.79	0.80	0.75	0.64	11171	1.80	0.55	4.5	25	1150	o.r.	
1110	1SQ7 452-8PA10-0C.0	889	126	94.2	95.2	95.6	95.4	0.80	0.81	0.78	0.68	11923	1.85	0.50	4.5	32	1510	o.r.	
1130	1SQ7 453-8PA10-0A.0	889	128	94.5	95.5	95.8	95.6	0.79	0.81	0.77	0.67	12138	1.80	0.55	4.5	28	1180	o.r.	
1220	1SQ7 453-8PA10-0C.0	889	136	94.4	95.5	95.9	95.8	0.80	0.82	0.79	0.71	13105	1.85	0.50	4.5	36	1600	o.r.	
1250	1SQ7 454-8PA10-0A.0	890	142	94.5	95.5	95.8	95.6	0.80	0.81	0.77	0.66	13412	1.85	0.55	4.5	31	1200	o.r.	
1300	1SQ7 454-8PA10-0C.0	890	144	94.6	95.5	95.8	95.6	0.82	0.83	0.79	0.69	13948	2.00	0.55	4.5	40	1650	o.r.	
1400	1SQ7 457-8PA10-0A.0	890	158	94.8	95.7	96.0	95.7	0.80	0.81	0.77	0.66	15021	1.90	0.60	4.5	35	1740	o.r.	
1460	1SQ7 457-8PA10-0C.0	890	160	94.9	95.7	96.0	95.8	0.82	0.83	0.79	0.69	15665	2.05	0.55	5.0	45	2200	o.r.	
1530	1SQ7 458-8PA10-0A.0	890	172	94.9	95.8	96.1	95.8	0.80	0.81	0.77	0.67	16416	1.90	0.60	4.5	39	1950	o.r.	
1570	1SQ7 458-8PA10-0C.0	891	172	95.1	95.9	96.1	95.9	0.82	0.83	0.79	0.70	16826	2.15	0.55	5.0	50	2250	o.r.	
1680	1SQ7 502-8PA10-0C.0	891	188	95.5	96.2	96.7	96.7	0.80	0.81	0.80	0.73	18005	2.00	0.45	3.7	59	2620	o.r.	
1800	1SQ7 503-8PA10-0A.0	893	205	95.8	96.3	96.6	96.3	0.80	0.80	0.75	0.65	19248	2.15	0.75	4.3	51	2100	o.r.	
1830	1SQ7 503-8PA10-0C.0	892	205	95.8	96.4	96.7	96.6	0.81	0.82	0.79	0.70	19591	2.15	0.55	4.0	65	2720	o.r.	
2000	1SQ7 504-8PA10-0A.0	893	225	96.0	96.5	96.7	96.5	0.81	0.81	0.76	0.67	21387	2.15	0.75	4.3	56	2450	o.r.	
2040	1SQ7 504-8PA10-0C.0	892	225	95.9	96.5	96.8	96.7	0.81	0.83	0.79	0.71	21839	2.15	0.55	4.0	72	3080	o.r.	
2200	1SQ7 507-8PA10-0A.0	893	245	96.1	96.6	96.8	96.6	0.81	0.81	0.77	0.67	23526	2.15	0.75	4.4	63	2710	o.r.	
2280	1SQ7 507-8PA10-0C.0	892	250	96.0	96.6	96.9	96.8	0.82	0.83	0.80	0.72	24409	2.15	0.55	4.1	80	3310	o.r.	
2480	1SQ7 508-8PA10-0A.0	893	280	96.1	96.6	96.8	96.5	0.81	0.80	0.75	0.65	26520	2.25	0.80	4.5	69	2550	o.r.	
2550	1SQ7 508-8PA10-0C.0	893	280	96.1	96.6	96.9	96.8	0.82	0.83	0.79	0.70	27268	2.25	0.60	4.2	88	3150	o.r.	
2800	1SQ7 563-8PA10-0C.0	894	310	96.1	96.5	96.9	96.6	0.82	0.82	0.80	0.73	29908	2.10	0.55	4.6	124	2530	o.r.	

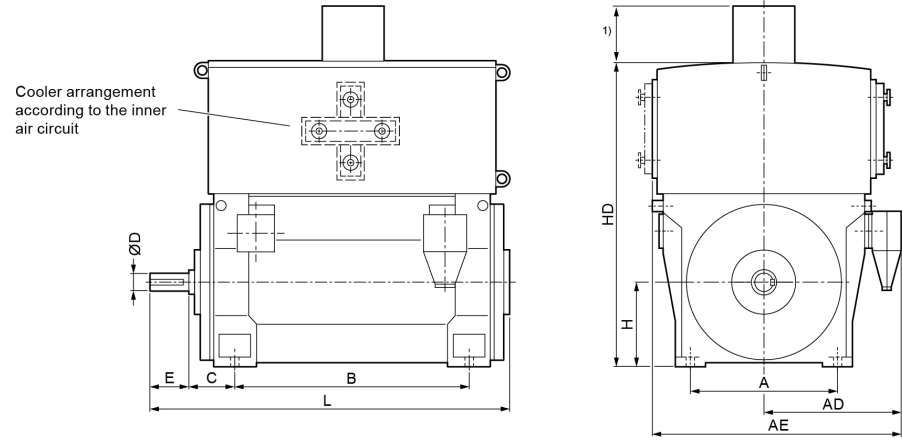
Innomotics HV M - 1SQ. IC86W 6600 V / 60 Hz B3 (IM 1001)																		
Rated power IEC	Article No.	Speed	Rated current I_R	Efficiency				Power factor				Torque T_R	Breakdown torque T_B / T_R	Locked rotor torque T_{LR} / T_R	Locked rotor current I_{LR} / I_R	Inertia		
				5/4 load	4/4 load	3/4 load	2/4 load	5/4 load	4/4 load	3/4 load	2/4 load					motor	external	Startup max T/TR
kW		rpm	A	%	%	%	%	$\cos \varphi$	$\cos \varphi$	$\cos \varphi$	$\cos \varphi$	Nm	[-]	[-]	[-]	kgm ²	kgm ²	[-]
3150	1SQ7 564-8PA10-0C.0	894	350	96.3	96.7	97.0	96.7	0.82	0.82	0.79	0.72	33647	2.20	0.60	4.8	137	3005	o.r.
3550	1SQ7 567-8PA10-0C.0	893	390	96.3	96.7	97.1	96.9	0.82	0.82	0.81	0.75	37962	2.05	0.55	4.5	150	3015	o.r.
4000	1SQ7 568-8PA10-0C.0	894	440	96.5	96.8	97.2	97.0	0.82	0.82	0.81	0.74	42726	2.05	0.55	4.6	165	3725	o.r.
4050	1SQ8 633-8PA10-0C.0	892	430	95.8	96.4	96.5	96.2	0.84	0.85	0.82	0.75	43357	1.90	0.40	4.1	216	2690	o.r.
4850	1SQ8 634-8PA10-0C.0	892	520	96.0	96.6	96.7	96.4	0.84	0.85	0.82	0.76	51922	1.90	0.40	4.1	251	2950	o.r.
5400	1SQ8 637-8PA10-0C.0	893	570	96.4	96.8	96.8	96.4	0.85	0.86	0.82	0.75	57745	2.05	0.40	4.5	292	3640	o.r.
5700	1SQ8 638-8PA10-0C.0	894	600	96.5	96.9	96.9	96.5	0.85	0.86	0.82	0.75	60885	2.15	0.50	5.0	326	4290	o.r.
6100	1SQ8 712-8PA10-0C.0	895	640	96.6	97.0	96.9	96.6	0.86	0.86	0.82	0.74	65085	2.30	0.55	5.0	422	3590	o.r.
6900	1SQ8 713-8PA10-0C.0	895	720	96.8	97.1	97.0	96.6	0.86	0.86	0.82	0.74	73620	2.40	0.55	5.1	474	4020	o.r.
7900	1SQ8 714-8PA10-0C.0	895	820	96.9	97.2	97.1	96.7	0.87	0.87	0.82	0.74	84290	2.50	0.60	5.3	542	4540	o.r.
9250	1SQ8 717-8PA10-0C.0	895	960	97.1	97.3	97.3	96.8	0.87	0.87	0.82	0.74	98694	2.45	0.55	5.3	620	4970	o.r.
10000	1SQ8 718-8PA10-0C.0	895	1040	97.2	97.4	97.3	96.9	0.87	0.87	0.83	0.74	106696	2.55	0.55	5.5	684	5590	o.r.



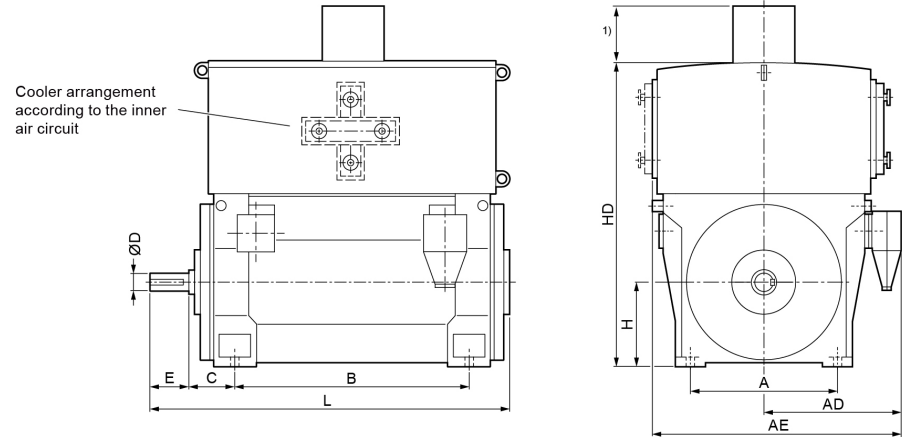
Motor type	Weight	Dimensions										
		A	AD	AE	B	C	D	E	H	HD	L	ML
	kg	mm	mm	mm	mm	mm	mm	mm	mm	mm	mm	mm
Innomotics HV M - 1SQ. IC86W 6600 V / 60 Hz B3 (IM 1001) - Dimension drawings												
2-pole												
1SQ7 452-2PA10-0CA0	4400	850	925	1545	1180	250	95	130	450	2350	1790	o.r.
1SQ7 452-2PA10-0CC0	4300	850	925	1545	1180	475	95	130	450	2350	2010	o.r.
1SQ7 453-2PA10-0AA0	4400	850	925	1545	1180	250	95	130	450	2350	1790	o.r.
1SQ7 453-2PA10-0AC0	4300	850	925	1545	1180	475	95	130	450	2350	2010	o.r.
1SQ7 453-2PA10-0CA0	4550	850	925	1545	1180	250	95	130	450	2350	1790	o.r.
1SQ7 453-2PA10-0CC0	4450	850	925	1545	1180	475	95	130	450	2350	2010	o.r.
1SQ7 454-2PA10-0AA0	4500	850	925	1545	1180	250	95	130	450	2350	1790	o.r.
1SQ7 454-2PA10-0AC0	4400	850	925	1545	1180	475	95	130	450	2350	2010	o.r.
1SQ7 454-2PA10-0CA0	4650	850	925	1545	1180	250	95	130	450	2350	1790	o.r.
1SQ7 454-2PA10-0CC0	4550	850	925	1545	1180	475	95	130	450	2350	2010	o.r.
1SQ7 457-2PA10-0AA0	4900	850	925	1545	1400	250	95	130	450	2350	2000	o.r.
1SQ7 457-2PA10-0AC0	4800	850	925	1545	1400	475	95	130	450	2350	2220	o.r.
1SQ7 457-2PA10-0CA0	5050	850	925	1545	1400	250	95	130	450	2350	2000	o.r.
1SQ7 457-2PA10-0CC0	4950	850	925	1545	1400	475	95	130	450	2350	2220	o.r.
1SQ7 458-2PA10-0AA0	5100	850	925	1545	1400	250	95	130	450	2350	2000	o.r.
1SQ7 458-2PA10-0AC0	5000	850	925	1545	1400	475	95	130	450	2350	2220	o.r.
1SQ7 458-2PA10-0CA0	5250	850	925	1545	1400	250	95	130	450	2350	2000	o.r.
1SQ7 458-2PA10-0CC0	5150	850	925	1545	1400	475	95	130	450	2350	2220	o.r.
1SQ7 503-2PA10-0CA0	6000	950	1005	1705	1320	250	110	165	500	2640	2000	o.r.
1SQ7 503-2PA10-0CC0	5950	950	1005	1705	1320	530	120	165	500	2640	2280	o.r.
1SQ7 504-2PA10-0CA0	6150	950	1005	1705	1320	250	110	165	500	2640	2000	o.r.
1SQ7 504-2PA10-0CC0	6050	950	1005	1705	1320	530	120	165	500	2640	2280	o.r.



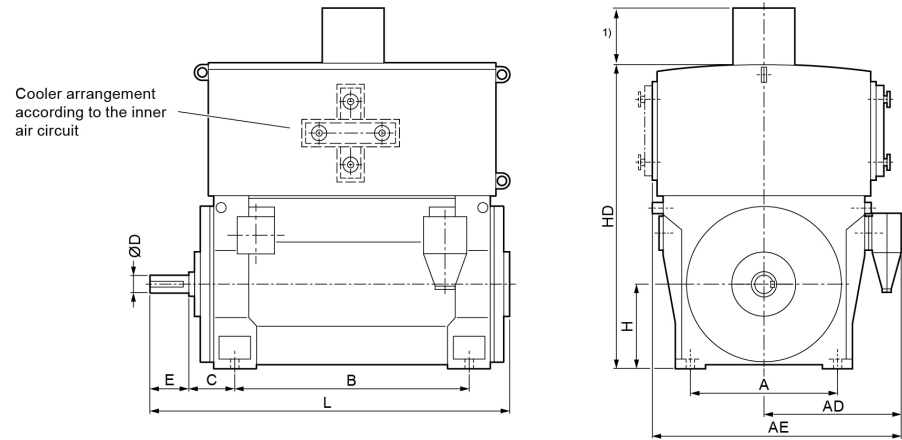
Motor type	Weight	Dimensions										
		A	AD	AE	B	C	D	E	H	HD	L	ML
	kg	mm	mm	mm	mm	mm	mm	mm	mm	mm	mm	mm
Innomotics HV M - 1SQ. IC86W 6600 V / 60 Hz B3 (IM 1001) - Dimension drawings												
1SQ7 507-2PA10-0CA0	6750	950	1005	1705	1500	250	110	165	500	2640	2210	o.r.
1SQ7 507-2PA10-0CC0	6700	950	1005	1705	1500	530	120	165	500	2640	2490	o.r.
1SQ7 508-2PA10-0CA0	7150	950	1005	1705	1500	250	110	165	500	2640	2210	o.r.
1SQ7 508-2PA10-0CC0	7050	950	1005	1705	1500	530	120	165	500	2640	2490	o.r.
1SQ7 562-2PA10-0CC0	8050	1060	1290	2060	1400	600	150	200	560	2830	2530	o.r.
1SQ7 564-2PA10-0CC0	8550	1060	1290	2060	1400	600	150	200	560	2830	2530	o.r.
1SQ7 567-2PA10-0CC0	9350	1060	1290	2060	1600	600	150	200	560	2830	2760	o.r.
1SQ7 568-2PA10-0CC0	9950	1060	1290	2060	1600	600	150	200	560	2830	2760	o.r.
1SQ8 632-2PA10-0CJ0	9650	1320	1520	2520	1600	560	160	240	630	3150	2760	o.r.
1SQ8 633-2PA10-0CJ0	10150	1320	1520	2520	1600	560	160	240	630	3150	2760	o.r.
1SQ8 634-2PA10-0CJ0	10650	1320	1520	2520	1600	560	160	240	630	3150	2760	o.r.
1SQ8 637-2PA10-0CJ0	11450	1320	1520	2520	1800	560	160	240	630	3150	2960	o.r.
1SQ8 638-2PA10-0CJ0	12150	1320	1520	2520	1800	560	160	240	630	3150	2960	o.r.
1SQ8 713-2PA10-0CJ0	14200	1500	1620	2720	2000	560	180	240	710	3410	3150	o.r.
1SQ8 714-2PA10-0CJ0	14950	1500	1620	2720	2000	560	180	240	710	3410	3150	o.r.
1SQ8 716-2PA10-0CJ0	16000	1500	1620	2720	2240	560	180	240	710	3410	3390	o.r.
1SQ8 717-2PA10-0CJ0	16700	1500	1620	2720	2240	560	180	240	710	3410	3390	o.r.
4-pole												
1SQ7 453-4PA10-0AA0	4400	850	925	1545	1180	250	130	200	450	1940	2290	o.r.
1SQ7 453-4PA10-0AC0	4400	850	925	1545	1180	500	130	200	450	1940	2540	o.r.
1SQ7 453-4PA10-0CA0	4500	850	925	1545	1180	250	130	200	450	1940	2290	o.r.
1SQ7 453-4PA10-0CC0	4550	850	925	1545	1180	500	130	200	450	1940	2540	o.r.
1SQ7 454-4PA10-0AA0	4550	850	925	1545	1180	250	130	200	450	1940	2290	o.r.



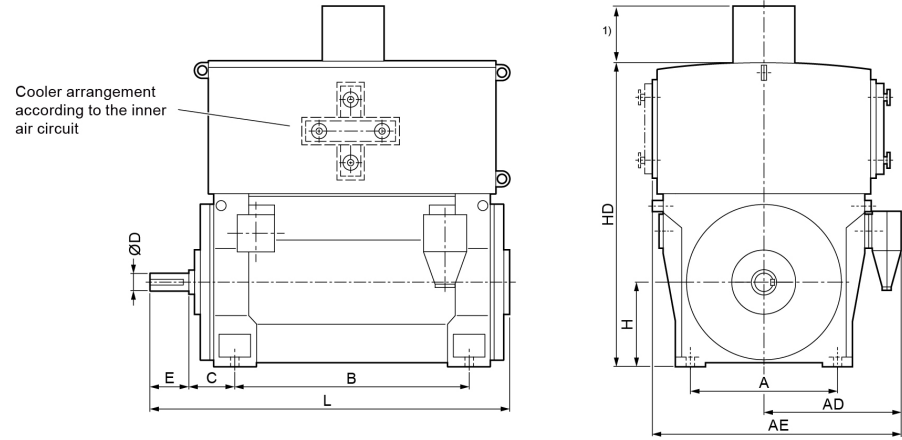
Motor type	Weight	Dimensions										
		A	AD	AE	B	C	D	E	H	HD	L	ML
	kg	mm	mm	mm	mm	mm	mm	mm	mm	mm	mm	mm
Innomotics HV M - 1SQ. IC86W 6600 V / 60 Hz B3 (IM 1001) - Dimension drawings												
1SQ7 454-4PA10-0AC0	4600	850	925	1545	1180	500	130	200	450	1940	2540	o.r.
1SQ7 454-4PA10-0CA0	4700	850	925	1545	1180	250	130	200	450	1940	2290	o.r.
1SQ7 454-4PA10-0CC0	4750	850	925	1545	1180	500	130	200	450	1940	2540	o.r.
1SQ7 457-4PA10-0AA0	5150	850	925	1545	1400	250	130	200	450	1940	2500	o.r.
1SQ7 457-4PA10-0AC0	5200	850	925	1545	1400	500	130	200	450	1940	2750	o.r.
1SQ7 457-4PA10-0CA0	5350	850	925	1545	1400	250	130	200	450	1940	2500	o.r.
1SQ7 457-4PA10-0CC0	5350	850	925	1545	1400	500	130	200	450	1940	2750	o.r.
1SQ7 458-4PA10-0AA0	5400	850	925	1545	1400	250	130	200	450	1940	2500	o.r.
1SQ7 458-4PA10-0AC0	5400	850	925	1545	1400	500	130	200	450	1940	2750	o.r.
1SQ7 458-4PA10-0CA0	5550	850	925	1545	1400	250	130	200	450	1940	2500	o.r.
1SQ7 458-4PA10-0CC0	5600	850	925	1545	1400	500	130	200	450	1940	2750	o.r.
1SQ7 503-4PA10-0AA0	6150	950	1005	1705	1320	315	160	240	500	2640	2140	o.r.
1SQ7 503-4PA10-0AC0	6250	950	1005	1705	1320	560	170	240	500	2640	2380	o.r.
1SQ7 503-4PA10-0CA0	6300	950	1005	1705	1320	315	160	240	500	2640	2140	o.r.
1SQ7 503-4PA10-0CC0	6400	950	1005	1705	1320	560	170	240	500	2640	2380	o.r.
1SQ7 504-4PA10-0AA0	6450	950	1005	1705	1320	315	160	240	500	2640	2140	o.r.
1SQ7 504-4PA10-0AC0	6500	950	1005	1705	1320	560	170	240	500	2640	2380	o.r.
1SQ7 504-4PA10-0CA0	6600	950	1005	1705	1320	315	160	240	500	2640	2140	o.r.
1SQ7 504-4PA10-0CC0	6700	950	1005	1705	1320	560	170	240	500	2640	2380	o.r.
1SQ7 507-4PA10-0AA0	7100	950	1005	1705	1500	315	160	240	500	2640	2350	o.r.
1SQ7 507-4PA10-0AC0	7150	950	1005	1705	1500	560	170	240	500	2640	2590	o.r.
1SQ7 507-4PA10-0CA0	7250	950	1005	1705	1500	315	160	240	500	2640	2350	o.r.
1SQ7 507-4PA10-0CC0	7350	950	1005	1705	1500	560	170	240	500	2640	2590	o.r.



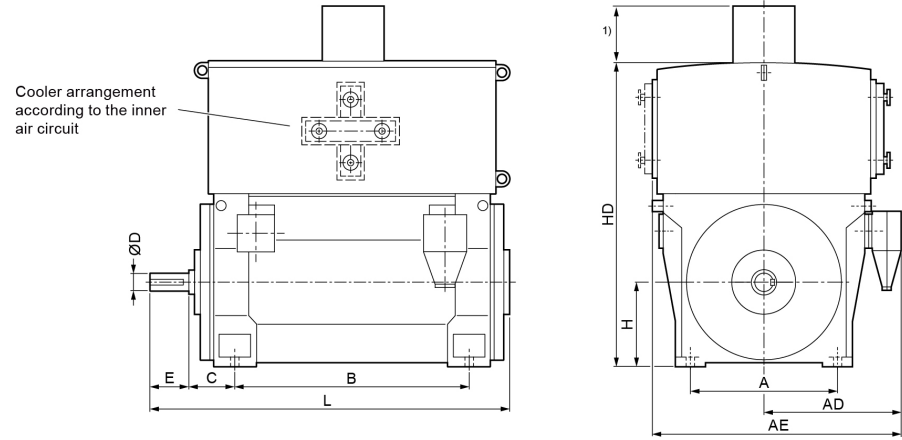
Motor type	Weight	Dimensions										
		A	AD	AE	B	C	D	E	H	HD	L	ML
	kg	mm	mm	mm	mm	mm	mm	mm	mm	mm	mm	mm
Innomotics HV M - 1SQ. IC86W 6600 V / 60 Hz B3 (IM 1001) - Dimension drawings												
1SQ7 508-4PA10-0AA0	7400	950	1005	1705	1500	315	160	240	500	2640	2350	o.r.
1SQ7 508-4PA10-0AC0	7450	950	1005	1705	1500	560	170	240	500	2640	2590	o.r.
1SQ7 508-4PA10-0CA0	7550	950	1005	1705	1500	315	160	240	500	2640	2350	o.r.
1SQ7 508-4PA10-0CC0	7650	950	1005	1705	1500	560	170	240	500	2640	2590	o.r.
1SQ7 563-4PA10-0CA0	8450	1060	1290	2060	1400	335	190	280	560	2830	2340	o.r.
1SQ7 563-4PA10-0CC0	8500	1060	1290	2060	1400	600	190	280	560	2830	2610	o.r.
1SQ7 564-4PA10-0CA0	8850	1060	1290	2060	1400	335	190	280	560	2830	2340	o.r.
1SQ7 564-4PA10-0CC0	8900	1060	1290	2060	1400	600	190	280	560	2830	2610	o.r.
1SQ7 566-4PA10-0CA0	9650	1060	1290	2060	1600	335	190	280	560	2830	2570	o.r.
1SQ7 566-4PA10-0CC0	9750	1060	1290	2060	1600	600	190	280	560	2830	2840	o.r.
1SQ7 567-4PA10-0CA0	10150	1060	1290	2060	1600	335	190	280	560	2830	2570	o.r.
1SQ7 567-4PA10-0CC0	10200	1060	1290	2060	1600	600	190	280	560	2830	2840	o.r.
1SQ7 568-4PA10-0CA0	10600	1060	1290	2060	1600	335	190	280	560	2830	2570	o.r.
1SQ7 568-4PA10-0CC0	10700	1060	1290	2060	1600	600	190	280	560	2830	2840	o.r.
1SQ8 633-4PA10-0CG0	10750	1320	1520	2520	1600	375	200	280	630	3150	2620	o.r.
1SQ8 633-4PA10-0CJ0	10850	1320	1520	2520	1600	630	200	280	630	3150	2870	o.r.
1SQ8 634-4PA10-0CG0	11350	1320	1520	2520	1600	375	200	280	630	3150	2620	o.r.
1SQ8 634-4PA10-0CJ0	11450	1320	1520	2520	1600	630	200	280	630	3150	2870	o.r.
1SQ8 637-4PA10-0CC0	12300	1320	1520	2520	1800	375	200	280	630	3150	2820	o.r.
1SQ8 637-4PA10-0CJ0	12400	1320	1520	2520	1800	630	200	280	630	3150	3070	o.r.
1SQ8 638-4PA10-0CG0	12800	1320	1520	2520	1800	375	200	280	630	3150	2820	o.r.
1SQ8 638-4PA10-0CJ0	12950	1320	1520	2520	1800	630	200	280	630	3150	3070	o.r.
1SQ8 712-4PA10-0CG0	14750	1500	1620	2720	2000	375	220	280	710	3410	3010	o.r.



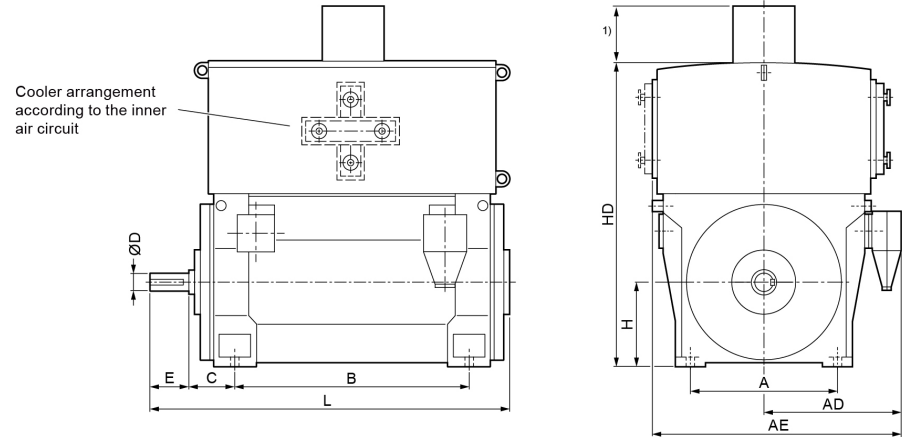
Motor type	Weight	Dimensions										
		A	AD	AE	B	C	D	E	H	HD	L	ML
	kg	mm	mm	mm	mm	mm	mm	mm	mm	mm	mm	mm
Innomotics HV M - 1SQ. IC86W 6600 V / 60 Hz B3 (IM 1001) - Dimension drawings												
1SQ8 712-4PA10-0CJ0	14900	1500	1620	2720	2000	630	220	280	710	3410	3260	o.r.
1SQ8 713-4PA10-0CG0	15500	1500	1620	2720	2000	375	220	280	710	3410	3010	o.r.
1SQ8 713-4PA10-0CJ0	15650	1500	1620	2720	2000	630	220	280	710	3410	3260	o.r.
1SQ8 714-4PA10-0CG0	16250	1500	1620	2720	2000	375	220	280	710	3410	3010	o.r.
1SQ8 714-4PA10-0CJ0	16400	1500	1620	2720	2000	630	220	280	710	3410	3260	o.r.
1SQ8 717-4PA10-0CG0	17450	1500	1620	2720	2240	375	220	280	710	3410	3250	o.r.
1SQ8 717-4PA10-0CJ0	17600	1500	1620	2720	2240	630	220	280	710	3410	3500	o.r.
1SQ8 718-4PA10-0CG0	17950	1500	1620	2720	2240	375	220	280	710	3410	3250	o.r.
1SQ8 718-4PA10-0CJ0	18100	1500	1620	2720	2240	630	220	280	710	3410	3500	o.r.
6-pole												
1SQ7 452-6PA10-0AA0	4250	850	925	1545	1180	250	130	200	450	1940	2290	o.r.
1SQ7 452-6PA10-0AC0	4300	850	925	1545	1180	500	130	200	450	1940	2540	o.r.
1SQ7 453-6PA10-0AA0	4400	850	925	1545	1180	250	130	200	450	1940	2290	o.r.
1SQ7 453-6PA10-0AC0	4450	850	925	1545	1180	500	130	200	450	1940	2540	o.r.
1SQ7 453-6PA10-0CA0	4550	850	925	1545	1180	250	130	200	450	1940	2290	o.r.
1SQ7 453-6PA10-0CC0	4600	850	925	1545	1180	500	130	200	450	1940	2540	o.r.
1SQ7 454-6PA10-0AA0	4600	850	925	1545	1180	250	130	200	450	1940	2290	o.r.
1SQ7 454-6PA10-0AC0	4600	850	925	1545	1180	500	130	200	450	1940	2540	o.r.
1SQ7 454-6PA10-0CA0	4750	850	925	1545	1180	250	130	200	450	1940	2290	o.r.
1SQ7 454-6PA10-0CC0	4800	850	925	1545	1180	500	130	200	450	1940	2540	o.r.
1SQ7 457-6PA10-0AA0	5050	850	925	1545	1400	250	130	200	450	1940	2500	o.r.
1SQ7 457-6PA10-0AC0	5100	850	925	1545	1400	500	130	200	450	1940	2750	o.r.
1SQ7 457-6PA10-0CA0	5250	850	925	1545	1400	250	130	200	450	1940	2500	o.r.



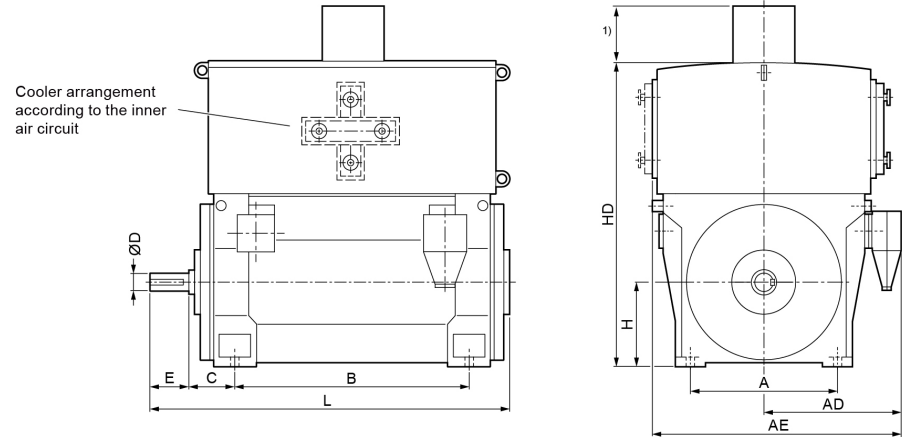
Motor type	Weight	Dimensions										
		A	AD	AE	B	C	D	E	H	HD	L	ML
	kg	mm	mm	mm	mm	mm	mm	mm	mm	mm	mm	mm
Innomotics HV M - 1SQ. IC86W 6600 V / 60 Hz B3 (IM 1001) - Dimension drawings												
1SQ7 457-6PA10-0CC0	5250	850	925	1545	1400	500	130	200	450	1940	2750	o.r.
1SQ7 458-6PA10-0AA0	5300	850	925	1545	1400	250	130	200	450	1940	2500	o.r.
1SQ7 458-6PA10-0AC0	5350	850	925	1545	1400	500	130	200	450	1940	2750	o.r.
1SQ7 458-6PA10-0CA0	5500	850	925	1545	1400	250	130	200	450	1940	2500	o.r.
1SQ7 458-6PA10-0CC0	5550	850	925	1545	1400	500	130	200	450	1940	2750	o.r.
1SQ7 503-6PA10-0AA0	6200	950	1005	1705	1320	315	160	240	500	2230	2520	o.r.
1SQ7 503-6PA10-0AC0	6250	950	1005	1705	1320	560	170	240	500	2230	2760	o.r.
1SQ7 503-6PA10-0CA0	6450	950	1005	1705	1320	315	160	240	500	2230	2520	o.r.
1SQ7 503-6PA10-0CC0	6500	950	1005	1705	1320	560	170	240	500	2230	2760	o.r.
1SQ7 504-6PA10-0AA0	6500	950	1005	1705	1320	315	160	240	500	2230	2520	o.r.
1SQ7 504-6PA10-0AC0	6550	950	1005	1705	1320	560	170	240	500	2230	2760	o.r.
1SQ7 504-6PA10-0CA0	6700	950	1005	1705	1320	315	160	240	500	2230	2520	o.r.
1SQ7 504-6PA10-0CC0	6800	950	1005	1705	1320	560	170	240	500	2230	2760	o.r.
1SQ7 507-6PA10-0AA0	7200	950	1005	1705	1500	315	160	240	500	2230	2730	o.r.
1SQ7 507-6PA10-0AC0	7250	950	1005	1705	1500	560	170	240	500	2230	2970	o.r.
1SQ7 507-6PA10-0CA0	7450	950	1005	1705	1500	315	160	240	500	2230	2730	o.r.
1SQ7 507-6PA10-0CC0	7500	950	1005	1705	1500	560	170	240	500	2230	2970	o.r.
1SQ7 508-6PA10-0CA0	7750	950	1005	1705	1500	315	160	240	500	2230	2730	o.r.
1SQ7 508-6PA10-0CC0	7800	950	1005	1705	1500	560	170	240	500	2230	2970	o.r.
1SQ7 508-6PA10-0AA0	7500	950	1005	1705	1500	315	160	240	500	2230	2730	o.r.
1SQ7 508-6PA10-0AC0	7550	950	1005	1705	1500	560	170	240	500	2230	2970	o.r.
1SQ7 562-6PA10-0CA0	8800	1060	1290	2060	1400	335	190	280	560	2680	2770	o.r.
1SQ7 562-6PA10-0CC0	8850	1060	1290	2060	1400	600	190	280	560	2680	3030	o.r.



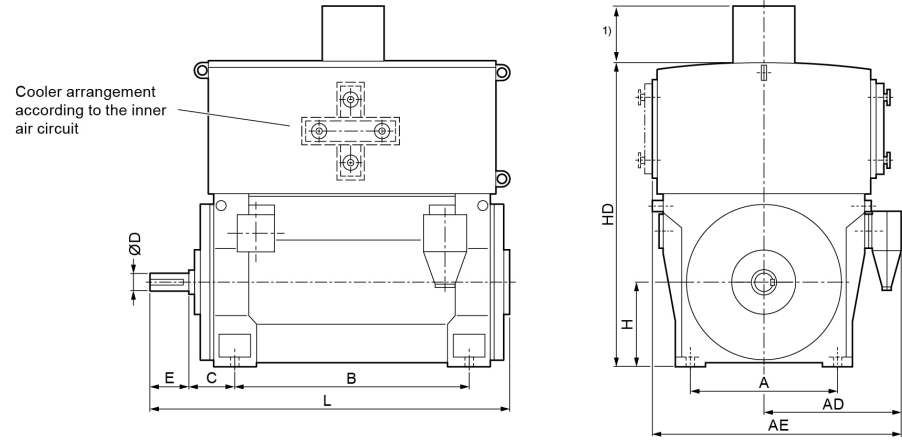
Motor type	Weight	Dimensions										
		A	AD	AE	B	C	D	E	H	HD	L	ML
	kg	mm	mm	mm	mm	mm	mm	mm	mm	mm	mm	mm
Innomotics HV M - 1SQ. IC86W 6600 V / 60 Hz B3 (IM 1001) - Dimension drawings												
1SQ7 562-6PA10-0HA0	8750	1060	1290	2060	1400	335	190	280	560	2680	2770	o.r.
1SQ7 562-6PA10-0HC0	8800	1060	1290	2060	1400	600	190	280	560	2680	3030	o.r.
1SQ7 567-6PA10-0CA0	10250	1060	1290	2060	1600	335	190	280	560	2680	3000	o.r.
1SQ7 567-6PA10-0CC0	10300	1060	1290	2060	1600	600	190	280	560	2680	3260	o.r.
1SQ7 568-6PA10-0CA0	10900	1060	1290	2060	1600	335	190	280	560	2680	3000	o.r.
1SQ7 568-6PA10-0CC0	10950	1060	1290	2060	1600	600	190	280	560	2680	3260	o.r.
1SQ8 632-6PA10-0CG0	10750	1320	1520	2520	1600	375	200	280	630	3150	2620	o.r.
1SQ8 632-6PA10-0CJ0	10850	1320	1520	2520	1600	630	200	280	630	3150	2870	o.r.
1SQ8 633-6PA10-0CG0	11250	1320	1520	2520	1600	375	200	280	630	3150	2620	o.r.
1SQ8 633-6PA10-0CJ0	11350	1320	1520	2520	1600	630	200	280	630	3150	2870	o.r.
1SQ8 634-6PA10-0CG0	11750	1320	1520	2520	1600	375	200	280	630	3150	2620	o.r.
1SQ8 634-6PA10-0CJ0	11850	1320	1520	2520	1600	630	200	280	630	3150	2870	o.r.
1SQ8 637-6PA10-0CG0	12550	1320	1520	2520	1800	375	200	280	630	3150	2820	o.r.
1SQ8 637-6PA10-0CJ0	12650	1320	1520	2520	1800	630	200	280	630	3150	3070	o.r.
1SQ8 638-6PA10-0CG0	13050	1320	1520	2520	1800	375	200	280	630	3150	2820	o.r.
1SQ8 638-6PA10-0CJ0	13150	1320	1520	2520	1800	630	200	280	630	3150	3070	o.r.
1SQ8 712-6PA10-0CG0	14700	1500	1620	2720	2000	375	220	280	710	3410	3010	o.r.
1SQ8 712-6PA10-0CJ0	14850	1500	1620	2720	2000	630	220	280	710	3410	3260	o.r.
1SQ8 713-6PA10-0CG0	15650	1500	1620	2720	2000	375	220	280	710	3410	3010	o.r.
1SQ8 713-6PA10-0CJ0	15750	1500	1620	2720	2000	630	220	280	710	3410	3260	o.r.
1SQ8 714-6PA10-0CG0	16600	1500	1620	2720	2000	375	220	280	710	3410	3010	o.r.
1SQ8 714-6PA10-0CJ0	16750	1500	1620	2720	2000	630	220	280	710	3410	3260	o.r.
1SQ8 717-6PA10-0CG0	18050	1500	1620	2720	2240	375	220	280	710	3410	3250	o.r.



Motor type	Weight	Dimensions										
		A	AD	AE	B	C	D	E	H	HD	L	ML
	kg	mm	mm	mm	mm	mm	mm	mm	mm	mm	mm	mm
Innomotics HV M - 1SQ. IC86W 6600 V / 60 Hz B3 (IM 1001) - Dimension drawings												
1SQ8 717-6PA10-0CJ0	18200	1500	1620	2720	2240	630	220	280	710	3410	3500	o.r.
1SQ8 718-6PA10-0CG0	19000	1500	1620	2720	2240	375	220	280	710	3410	3250	o.r.
1SQ8 718-6PA10-0CJ0	19150	1500	1620	2720	2240	630	220	280	710	3410	3500	o.r.
8-pole												
1SQ7 452-8PA10-0AA0	4400	850	925	1545	1180	250	130	200	450	1940	2290	o.r.
1SQ7 452-8PA10-0AC0	4450	850	925	1545	1180	500	130	200	450	1940	2540	o.r.
1SQ7 452-8PA10-0CA0	4550	850	925	1545	1180	250	130	200	450	1940	2290	o.r.
1SQ7 452-8PA10-0CC0	4600	850	925	1545	1180	500	130	200	450	1940	2540	o.r.
1SQ7 453-8PA10-0AA0	4600	850	925	1545	1180	250	130	200	450	1940	2290	o.r.
1SQ7 453-8PA10-0AC0	4650	850	925	1545	1180	500	130	200	450	1940	2540	o.r.
1SQ7 453-8PA10-0CA0	4750	850	925	1545	1180	250	130	200	450	1940	2290	o.r.
1SQ7 453-8PA10-0CC0	4800	850	925	1545	1180	500	130	200	450	1940	2540	o.r.
1SQ7 454-8PA10-0AA0	4800	850	925	1545	1180	250	130	200	450	1940	2290	o.r.
1SQ7 454-8PA10-0AC0	4850	850	925	1545	1180	500	130	200	450	1940	2540	o.r.
1SQ7 454-8PA10-0CA0	4950	850	925	1545	1180	250	130	200	450	1940	2290	o.r.
1SQ7 454-8PA10-0CC0	5000	850	925	1545	1180	500	130	200	450	1940	2540	o.r.
1SQ7 457-8PA10-0AA0	5300	850	925	1545	1400	250	130	200	450	1940	2500	o.r.
1SQ7 457-8PA10-0AC0	5350	850	925	1545	1400	500	130	200	450	1940	2750	o.r.
1SQ7 457-8PA10-0CA0	5500	850	925	1545	1400	250	130	200	450	1940	2500	o.r.
1SQ7 457-8PA10-0CC0	5550	850	925	1545	1400	500	130	200	450	1940	2750	o.r.
1SQ7 458-8PA10-0AA0	5600	850	925	1545	1400	250	130	200	450	1940	2500	o.r.
1SQ7 458-8PA10-0AC0	5600	850	925	1545	1400	500	130	200	450	1940	2750	o.r.
1SQ7 458-8PA10-0CA0	5800	850	925	1545	1400	250	130	200	450	1940	2500	o.r.



Motor type	Weight	Dimensions										
		A	AD	AE	B	C	D	E	H	HD	L	ML
	kg	mm	mm	mm	mm	mm	mm	mm	mm	mm	mm	mm
Innomotics HV M - 1SQ. IC86W 6600 V / 60 Hz B3 (IM 1001) - Dimension drawings												
1SQ7 458-8PA10-0CC0	5800	850	925	1545	1400	500	130	200	450	1940	2750	o.r.
1SQ7 502-8PA10-0CA0	6100	950	1005	1705	1320	315	160	240	500	2230	2520	o.r.
1SQ7 502-8PA10-0CC0	6150	950	1005	1705	1320	560	170	240	500	2230	2760	o.r.
1SQ7 503-8PA10-0AA0	6200	950	1005	1705	1320	315	160	240	500	2230	2520	o.r.
1SQ7 503-8PA10-0AC0	6250	950	1005	1705	1320	560	170	240	500	2230	2760	o.r.
1SQ7 503-8PA10-0CA0	6450	950	1005	1705	1320	315	160	240	500	2230	2520	o.r.
1SQ7 503-8PA10-0CC0	6500	950	1005	1705	1320	560	170	240	500	2230	2760	o.r.
1SQ7 504-8PA10-0AA0	6500	950	1005	1705	1320	315	160	240	500	2230	2520	o.r.
1SQ7 504-8PA10-0AC0	6550	950	1005	1705	1320	560	170	240	500	2230	2760	o.r.
1SQ7 504-8PA10-0CA0	6750	950	1005	1705	1320	315	160	240	500	2230	2520	o.r.
1SQ7 504-8PA10-0CC0	6800	950	1005	1705	1320	560	170	240	500	2230	2760	o.r.
1SQ7 507-8PA10-0AA0	7200	950	1005	1705	1500	315	160	240	500	2230	2730	o.r.
1SQ7 507-8PA10-0AC0	7250	950	1005	1705	1500	560	170	240	500	2230	2970	o.r.
1SQ7 507-8PA10-0CA0	7450	950	1005	1705	1500	315	160	240	500	2230	2730	o.r.
1SQ7 507-8PA10-0CC0	7500	950	1005	1705	1500	560	170	240	500	2230	2970	o.r.
1SQ7 508-8PA10-0AA0	7500	950	1005	1705	1500	315	160	240	500	2230	2730	o.r.
1SQ7 508-8PA10-0AC0	7550	950	1005	1705	1500	560	170	240	500	2230	2970	o.r.
1SQ7 508-8PA10-0CA0	7750	950	1005	1705	1500	315	160	240	500	2230	2730	o.r.
1SQ7 508-8PA10-0CC0	7850	950	1005	1705	1500	560	170	240	500	2230	2970	o.r.
1SQ7 563-8PA10-0CA0	8800	1060	1075	1845	1400	335	190	280	560	2680	2770	o.r.
1SQ7 563-8PA10-0CC0	8900	1060	1075	1845	1400	600	190	280	560	2680	3030	o.r.
1SQ7 564-8PA10-0CA0	9250	1060	1075	1845	1400	335	190	280	560	2680	2770	o.r.
1SQ7 564-8PA10-0CC0	9350	1060	1075	1845	1400	600	190	280	560	2680	3030	o.r.



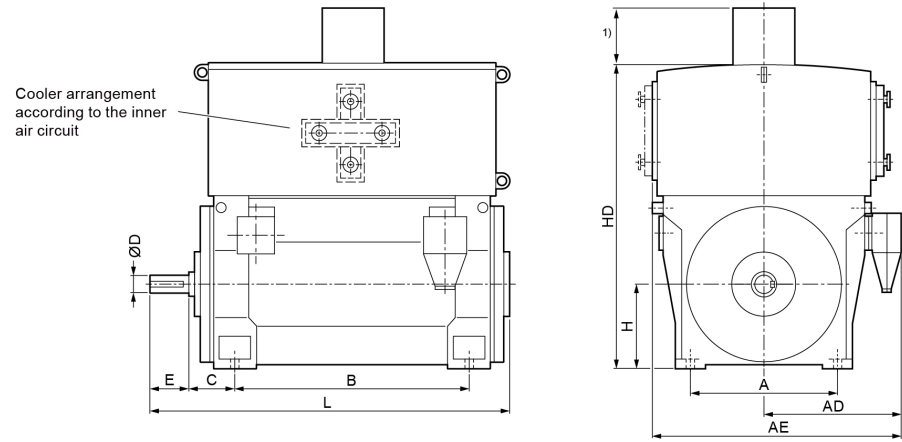
Motor type	Weight	Dimensions										
		A	AD	AE	B	C	D	E	H	HD	L	ML
	kg	mm	mm	mm	mm	mm	mm	mm	mm	mm	mm	mm
Innomotics HV M - 1SQ. IC86W 6600 V / 60 Hz B3 (IM 1001) - Dimension drawings												
1SQ7 567-8PA10-0CA0	10100	1060	1075	1845	1600	335	190	280	560	2680	3000	o.r.
1SQ7 567-8PA10-0CC0	10200	1060	1075	1845	1600	600	190	280	560	2680	3260	o.r.
1SQ7 568-8PA10-0CA0	10600	1060	1075	1845	1600	335	190	280	560	2680	3000	o.r.
1SQ7 568-8PA10-0CC0	10700	1060	1075	1845	1600	600	190	280	560	2680	3260	o.r.
1SQ8 633-8PA10-0CG0	10000	1320	1520	2520	1600	375	200	280	630	3150	2620	o.r.
1SQ8 633-8PA10-0CJ0	10100	1320	1520	2520	1600	630	200	280	630	3150	2870	o.r.
1SQ8 634-8PA10-0CG0	10800	1320	1520	2520	1600	375	200	280	630	3150	2620	o.r.
1SQ8 634-8PA10-0CJ0	10900	1320	1520	2520	1600	630	200	280	630	3150	2870	o.r.
1SQ8 637-8PA10-0CG0	11950	1320	1520	2520	1800	375	200	280	630	3150	2820	o.r.
1SQ8 637-8PA10-0CJ0	12050	1320	1520	2520	1800	630	200	280	630	3150	3070	o.r.
1SQ8 638-8PA10-0CG0	12650	1320	1520	2520	1800	375	200	280	630	3150	2820	o.r.
1SQ8 638-8PA10-0CJ0	12750	1320	1520	2520	1800	630	200	280	630	3150	3070	o.r.
1SQ8 712-8PA10-0CG0	14000	1500	1620	2720	2000	375	220	280	710	3330	3010	o.r.
1SQ8 712-8PA10-0CJ0	14150	1500	1620	2720	2000	630	220	280	710	3330	3260	o.r.
1SQ8 713-8PA10-0CG0	14800	1500	1620	2720	2000	375	220	280	710	3330	3010	o.r.
1SQ8 713-8PA10-0CJ0	15000	1500	1620	2720	2000	630	220	280	710	3330	3260	o.r.
1SQ8 714-8PA10-0CG0	16000	1500	1620	2720	2000	375	220	280	710	3330	3010	o.r.
1SQ8 714-8PA10-0CJ0	16200	1500	1620	2720	2000	630	220	280	710	3330	3260	o.r.
1SQ8 717-8PA10-0CG0	17700	1500	1620	2720	2240	375	220	280	710	3330	3250	o.r.
1SQ8 717-8PA10-0CJ0	17900	1500	1620	2720	2240	630	220	280	710	3330	3500	o.r.
1SQ8 718-8PA10-0CG0	18700	1500	1620	2720	2240	375	220	280	710	3330	3250	o.r.
1SQ8 718-8PA10-0CJ0	18900	1500	1620	2720	2240	630	220	280	710	3330	3500	o.r.

Innomotics HV M - 1SQ. IC86W 10000 V / 50 Hz B3 (IM 1001)																		
Rated power IEC kW	Article No.	Speed	Rated current	Efficiency				Power factor				Torque	Breakdown torque	Locked rotor torque	Locked rotor current	Inertia		
		rpm	I_R A	5/4 load %	4/4 load %	3/4 load %	2/4 load %	5/4 load $\cos \varphi$	4/4 load $\cos \varphi$	3/4 load $\cos \varphi$	2/4 load $\cos \varphi$	T_R Nm	T_B/ T_R [-]	T_{LR}/ T_R [-]	I_{LR}/ I_R [-]	motor kgm ²	external kgm ²	Startup max T/TR [-]
2-pole: n_{sync} = 3000 rpm at 50 Hz																		
1500	1SQ7 453-2PA80-0A.2	2976	102	95.1	96.0	96.3	96.2	0.87	0.89	0.89	0.85	4814	2.20	0.50	5.0	10	60	o.r.
1530	1SQ7 453-2PA80-0C.0	2976	102	95.1	95.9	96.4	96.3	0.87	0.90	0.89	0.87	4910	2.10	0.55	4.7	14	80	o.r.
1680	1SQ7 454-2PA80-0A.2	2977	114	95.5	96.1	96.4	96.1	0.88	0.89	0.88	0.83	5391	2.25	0.50	5.2	11	60	o.r.
1720	1SQ7 454-2PA80-0C.2	2977	114	95.5	96.1	96.4	96.2	0.88	0.90	0.89	0.86	5519	2.15	0.55	5.0	15	100	o.r.
1870	1SQ7 457-2PA80-0A.2	2977	126	95.5	96.2	96.6	96.4	0.87	0.89	0.89	0.85	6000	2.25	0.55	5.3	12	70	o.r.
1910	1SQ7 457-2PA80-0C.2	2977	128	95.5	96.2	96.6	96.4	0.88	0.90	0.90	0.87	6133	2.15	0.55	5.0	16	120	o.r.
2050	1SQ7 458-2PA80-0A.2	2978	136	95.8	96.4	96.7	96.5	0.88	0.90	0.90	0.86	6580	2.35	0.55	5.4	13	75	o.r.
2100	1SQ7 458-2PA80-0C.2	2978	140	95.8	96.4	96.8	96.6	0.89	0.90	0.90	0.88	6739	2.30	0.55	5.0	18	135	o.r.
2240	1SQ7 503-2PA80-0A.0	2965	150	95.5	96.3	96.8	97.0	0.87	0.89	0.89	0.87	7221	2.10	0.50	4.1	15	58	o.r.
2240	1SQ7 503-2PA80-0C.0	2973	150	95.8	96.4	97.0	97.1	0.87	0.89	0.90	0.88	7198	2.05	0.55	4.0	20	154	o.r.
2450	1SQ7 504-2PA80-0A.0	2968	166	95.7	96.3	96.8	96.9	0.88	0.89	0.89	0.86	7886	2.30	0.55	4.5	15	62	o.r.
2550	1SQ7 504-2PA80-0C.2	2973	172	95.8	96.5	96.9	96.9	0.88	0.89	0.90	0.87	8198	2.15	0.60	4.2	21	138	o.r.
2670	1SQ7 507-2PA80-0A.2	2973	178	96.0	96.6	96.9	96.9	0.89	0.90	0.90	0.86	8580	2.50	0.50	5.0	18	82	o.r.
2800	1SQ7 507-2PA80-0C.2	2977	186	96.2	96.7	97.0	97.0	0.89	0.90	0.90	0.87	8989	2.35	0.55	4.7	24	158	o.r.
3000	1SQ7 508-2PA80-0A.2	2974	198	96.3	96.8	97.1	97.1	0.90	0.90	0.90	0.86	9635	2.60	0.55	5.3	20	94	o.r.
3150	1SQ7 508-2PA80-0C.2	2978	205	96.4	96.9	97.2	97.2	0.90	0.91	0.91	0.87	10106	2.40	0.55	4.9	27	168	o.r.
3800	1SQ7 562-2PA80-0CC2	2981	250	96.4	96.6	96.8	96.5	0.90	0.90	0.90	0.86	12181	2.30	0.60	5.2	41	210	o.r.
4150	1SQ7 563-2PA80-0CC2	2980	275	96.4	96.7	97.0	96.8	0.88	0.90	0.90	0.87	13304	2.05	0.50	4.6	44	245	o.r.
4750	1SQ7 564-2PA80-0CC2	2982	310	96.6	96.8	97.0	96.7	0.90	0.91	0.90	0.87	15222	2.30	0.60	5.3	47	250	o.r.
5150	1SQ7 567-2PA80-0CC2	2982	335	96.8	97.0	97.2	97.0	0.90	0.91	0.91	0.88	16506	2.30	0.60	5.2	52	285	o.r.
5700	1SQ7 568-2PA80-0CC2	2984	370	97.0	97.2	97.3	97.0	0.92	0.92	0.91	0.88	18252	2.50	0.60	5.8	58	315	o.r.
6000	1SQ8 632-2PA80-0CJ0	2980	405	96.4	96.9	96.9	96.4	0.85	0.88	0.88	0.87	19227	1.90	0.50	4.5	75	250	o.r.
6750	1SQ8 633-2PA80-0CJ0	2980	455	96.5	97.1	97.1	96.7	0.85	0.88	0.89	0.88	21630	1.90	0.50	4.5	82	240	o.r.
7550	1SQ8 634-2PA80-0CJ0	2980	510	96.6	97.1	97.2	96.8	0.85	0.88	0.89	0.89	24194	1.90	0.50	4.5	90	230	o.r.
8050	1SQ8 637-2PA80-0CJ0	2983	530	96.9	97.3	97.2	96.9	0.89	0.90	0.91	0.90	25770	2.25	0.55	5.3	99	260	o.r.
8850	1SQ8 638-2PA80-0CJ0	2983	580	97.0	97.4	97.4	97.1	0.89	0.91	0.91	0.91	28331	2.25	0.55	5.3	108	260	o.r.
9050	1SQ8 712-2PA80-0CJ0	2983	610	96.5	96.9	96.9	96.5	0.83	0.88	0.89	0.89	28971	1.75	0.40	4.0	149	210	o.r.
10250	1SQ8 713-2PA80-0CJ0	2984	680	96.8	97.2	97.1	96.7	0.86	0.90	0.90	0.89	32802	1.90	0.50	4.4	160	190	o.r.
11500	1SQ8 714-2PA80-0CJ0	2984	760	97.0	97.3	97.3	96.8	0.86	0.90	0.90	0.89	36802	1.90	0.50	4.4	173	170	o.r.
12000	1SQ8 716-2PA80-0CJ0	2986	780	97.1	97.3	97.3	96.8	0.88	0.91	0.91	0.90	38376	2.10	0.45	4.8	186	200	o.r.
13600	1SQ8 717-2PA80-0CJ0	2986	880	97.2	97.5	97.4	97.0	0.89	0.91	0.91	0.90	43493	2.15	0.60	5.1	202	160	o.r.
14800	1SQ8 718-2PA80-0CJ0	2987	950	97.4	97.6	97.6	97.1	0.90	0.92	0.92	0.90	47315	2.35	0.65	5.6	219	160	o.r.
4-pole: n_{sync} = 1500 rpm at 50 Hz																		
1420	1SQ7 453-4PA80-0A.0	1482	97	94.8	95.7	96.1	96.2	0.87	0.88	0.87	0.81	9155	2.35	0.65	5.3	17	290	o.r.
1470	1SQ7 453-4PA80-0C.0	1485	100	95.0	95.9	96.3	96.5	0.87	0.88	0.87	0.83	9460	2.10	0.50	4.8	23	325	o.r.
1560	1SQ7 454-4PA80-0A.0	1482	106	95.0	95.8	96.3	96.4	0.88	0.89	0.87	0.83	10058	2.40	0.65	5.4	19	320	o.r.

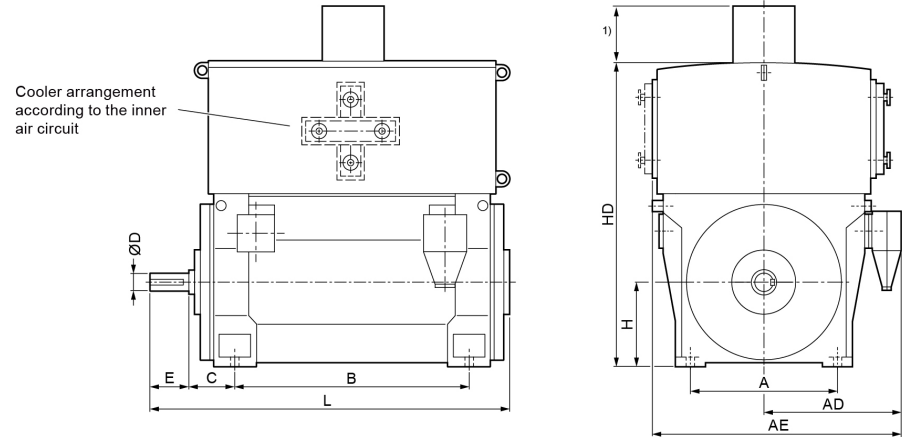
Innomotics HV M - 1SQ. IC86W 10000 V / 50 Hz B3 (IM 1001)																		
Rated power IEC	Article No.	Speed	Rated current I_R	Efficiency				Power factor				Torque T_R	Breakdown torque T_B/ T_R	Locked torque T_{LR}/ T_R	Locked rotor current I_{LR}/ I_R	Inertia		
				5/4 load	4/4 load	3/4 load	2/4 load	5/4 load	4/4 load	3/4 load	2/4 load					motor	external	Startup max T/TR
kW		rpm	A	%	%	%	%	$\cos \varphi$	$\cos \varphi$	$\cos \varphi$	$\cos \varphi$	Nm	[-]	[-]	[-]	kgm ²	kgm ²	[-]
1600	1SQ7 454-4PA80-0C.2	1486	108	95.3	96.2	96.5	96.6	0.87	0.89	0.88	0.84	10292	2.20	0.50	5.0	26	405	o.r.
1900	1SQ7 457-4PA80-0C.2	1487	128	95.7	96.4	96.7	96.7	0.88	0.89	0.88	0.83	12205	2.40	0.55	5.2	30	525	o.r.
1820	1SQ7 457-4PA80-0A.0	1483	122	95.4	96.2	96.5	96.7	0.89	0.89	0.88	0.83	11724	2.45	0.70	5.8	22	390	o.r.
1970	1SQ7 458-4PA80-0A.2	1485	132	95.7	96.3	96.6	96.6	0.89	0.89	0.87	0.81	12678	2.75	0.80	6.0	24	455	o.r.
2060	1SQ7 458-4PA80-0C.2	1488	138	95.9	96.5	96.8	96.8	0.89	0.89	0.88	0.83	13230	2.50	0.60	5.3	33	620	o.r.
2220	1SQ7 503-4PA80-0A.2	1486	150	95.8	96.5	97.0	97.1	0.88	0.89	0.88	0.85	14275	2.25	0.80	5.0	37	625	o.r.
2240	1SQ7 503-4PA80-0C.0	1487	148	95.8	96.5	97.0	97.0	0.88	0.90	0.89	0.86	14402	2.20	0.60	4.6	45	645	o.r.
2500	1SQ7 504-4PA80-0C.2	1488	168	96.0	96.6	97.1	97.0	0.88	0.89	0.88	0.85	16064	2.20	0.55	4.6	50	630	o.r.
2450	1SQ7 504-4PA80-0A.2	1486	164	95.8	96.6	97.1	97.2	0.87	0.89	0.89	0.86	15757	2.25	0.75	5.0	40	675	o.r.
2870	1SQ7 507-4PA80-0C.2	1489	192	96.3	96.8	97.1	97.0	0.88	0.89	0.87	0.82	18423	2.35	0.55	4.8	56	875	o.r.
2610	1SQ7 507-4PA80-0A.2	1486	174	95.9	96.6	97.1	97.2	0.89	0.90	0.90	0.87	16784	2.30	0.85	5.2	46	755	o.r.
3150	1SQ7 508-4PA80-0C.2	1490	210	96.5	97.0	97.3	97.1	0.89	0.90	0.88	0.84	20209	2.60	0.70	5.4	62	905	o.r.
2950	1SQ7 508-4PA80-0A.2	1486	196	96.1	96.8	97.2	97.3	0.88	0.90	0.90	0.87	18968	2.35	0.85	5.3	50	815	o.r.
3550	1SQ7 563-4PA80-0C.2	1489	238	96.3	96.9	97.3	97.3	0.87	0.89	0.88	0.85	22783	2.05	0.65	5.0	80	725	o.r.
4150	1SQ7 564-4PA80-0C.2	1490	278	96.6	97.0	97.4	97.3	0.87	0.89	0.87	0.84	26609	2.20	0.60	5.3	90	835	o.r.
4700	1SQ7 566-4PA80-0C.2	1490	314	96.8	97.2	97.5	97.4	0.88	0.89	0.88	0.84	30131	2.25	0.60	5.4	100	885	o.r.
5100	1SQ7 567-4PA80-0C.2	1491	340	96.8	97.2	97.6	97.5	0.89	0.89	0.89	0.86	32693	2.30	0.70	5.5	110	935	o.r.
5600	1SQ7 568-4PA80-0C.2	1490	369	96.9	97.3	97.7	97.7	0.89	0.90	0.90	0.87	35911	2.20	0.65	5.3	119	940	o.r.
6000	1SQ8 633-4PA80-0C.0	1490	400	96.7	97.2	97.4	97.3	0.87	0.89	0.88	0.84	38454	2.10	0.50	5.0	151	710	o.r.
6800	1SQ8 634-4PA80-0C.0	1490	455	96.8	97.3	97.6	97.5	0.87	0.89	0.89	0.86	43581	2.10	0.50	5.0	166	740	o.r.
7700	1SQ8 637-4PA80-0C.0	1490	510	97.0	97.4	97.6	97.5	0.87	0.89	0.88	0.85	49349	2.15	0.50	5.2	182	770	o.r.
8550	1SQ8 638-4PA80-0C.0	1490	570	97.1	97.5	97.7	97.6	0.88	0.89	0.89	0.85	54796	2.25	0.55	5.5	198	810	o.r.
8900	1SQ8 712-4PA80-0C.0	1491	590	97.0	97.5	97.7	97.5	0.87	0.89	0.89	0.86	57001	2.20	0.45	5.2	259	800	o.r.
9850	1SQ8 713-4PA80-0C.0	1491	660	97.1	97.5	97.7	97.6	0.87	0.89	0.89	0.86	63086	2.20	0.45	5.2	284	840	o.r.
10500	1SQ8 714-4PA80-0C.0	1492	690	97.2	97.6	97.8	97.7	0.89	0.90	0.90	0.87	67203	2.45	0.55	2.9	312	970	o.r.
11600	1SQ8 717-4PA80-0C.0	1492	750	97.3	97.7	97.9	97.7	0.90	0.91	0.90	0.87	74244	2.55	0.60	6.0	346	1070	o.r.
12500	1SQ8 718-4PA80-0C.2	1492	810	97.4	97.7	97.9	97.7	0.90	0.91	0.90	0.86	80004	2.60	0.60	6.0	365	1080	o.r.
6-pole: n_{sync} = 1000 rpm at 50 Hz																		
1000	1SQ7 452-6PA80-0A.0	990	72	94.3	95.2	95.6	95.6	0.83	0.84	0.80	0.70	9655	2.35	0.70	5.2	20	495	o.r.
1020	1SQ7 452-6PA80-0C.0	989	73	94.2	95.1	95.6	95.8	0.84	0.85	0.82	0.74	9850	2.30	0.60	4.9	27	645	o.r.
1120	1SQ7 453-6PA80-0A.0	990	81	94.4	95.3	95.7	95.8	0.84	0.84	0.80	0.71	10816	2.30	0.70	5.1	22	535	o.r.
1150	1SQ7 453-6PA80-0C.0	989	82	94.3	95.2	95.8	95.9	0.84	0.85	0.83	0.75	11108	2.25	0.60	4.8	30	680	o.r.
1250	1SQ7 454-6PA80-0A.0	990	89	94.6	95.4	95.9	96.0	0.84	0.85	0.81	0.72	12073	2.35	0.70	5.2	24	595	o.r.
1270	1SQ7 454-6PA80-0C.0	989	90	94.5	95.4	95.9	96.1	0.84	0.85	0.83	0.76	12264	2.30	0.60	4.9	33	770	o.r.
1360	1SQ7 457-6PA80-0A.0	990	97	94.8	95.6	96.0	96.1	0.85	0.85	0.82	0.73	13128	2.40	0.80	5.3	28	655	o.r.
1400	1SQ7 457-6PA80-0C.0	990	98	94.7	95.6	96.1	96.2	0.85	0.86	0.84	0.76	13520	2.30	0.65	5.0	36	840	o.r.
1480	1SQ7 458-6PA80-0A.0	991	104	95.1	95.8	96.2	96.2	0.85	0.86	0.82	0.73	14277	2.50	0.80	5.5	31	785	o.r.

Innomotics HV M - 1SQ. IC86W 10000 V / 50 Hz B3 (IM 1001)																		
Rated power IEC	Article No.	Speed	Rated current I_R	Efficiency				Power factor				Torque T_R	Breakdown torque T_B/ T_R	Locked rotor torque T_{LR}/ T_R	Locked rotor current I_{LR}/ I_R	Inertia		
				5/4 load	4/4 load	3/4 load	2/4 load	5/4 load	4/4 load	3/4 load	2/4 load					motor	external	Startup max T/TR
kW		rpm	A	%	%	%	%	$\cos \varphi$	$\cos \varphi$	$\cos \varphi$	$\cos \varphi$	Nm	[-]	[-]	[-]	kgm ²	kgm ²	[-]
1520	1SQ7 458-6PA80-0C.0	990	106	95.0	95.8	96.2	96.3	0.86	0.86	0.84	0.77	14669	2.45	0.65	5.1	41	950	o.r.
1670	1SQ7 502-6PA80-0C.2	992	112	95.4	96.2	96.6	96.7	0.84	0.86	0.84	0.78	16101	2.15	0.65	4.4	54	1290	o.r.
1600	1SQ7 502-6PA80-0A.0	991	112	95.1	96.0	96.5	96.6	0.85	0.86	0.85	0.78	15434	2.15	0.85	4.6	42	800	o.r.
1950	1SQ7 503-6PA80-0C.2	992	126	95.7	96.3	96.7	96.7	0.85	0.86	0.83	0.75	18785	2.30	0.80	4.7	60	1240	o.r.
1800	1SQ7 503-6PA80-0A.0	991	126	95.3	96.1	96.6	96.7	0.85	0.86	0.85	0.78	17362	2.15	0.90	4.7	46	840	o.r.
2130	1SQ7 504-6PA80-0C.2	992	138	95.9	96.5	96.8	96.8	0.85	0.86	0.82	0.74	20512	2.40	0.80	4.8	66	1640	o.r.
1970	1SQ7 504-6PA80-0A.2	991	138	95.5	96.2	96.7	96.7	0.86	0.86	0.84	0.76	19002	2.30	1.00	5.0	51	980	o.r.
2300	1SQ7 507-6PA80-0C.2	992	156	96.0	96.6	96.9	96.8	0.86	0.86	0.83	0.75	22136	2.45	0.80	5.0	74	1580	o.r.
2220	1SQ7 507-6PA80-0A.2	991	138	95.7	96.4	96.9	97.0	0.86	0.86	0.85	0.79	21411	2.25	0.90	4.9	58	1360	o.r.
2370	1SQ7 508-6PA80-0A.2	991	156	96.0	96.5	96.9	97.0	0.86	0.86	0.84	0.76	22847	2.45	0.95	5.4	63	1800	o.r.
2500	1SQ7 508-6PA80-0C.2	992	174	96.2	96.7	97.0	97.0	0.86	0.86	0.84	0.77	24060	2.45	0.85	5.1	81	1990	o.r.
3000	1SQ7 562-6PA80-0C.2	992	210	95.9	96.5	96.7	96.7	0.85	0.86	0.84	0.80	28896	2.00	0.60	5.2	105	1935	o.r.
3250	1SQ7 563-6PA80-0C.2	992	225	96.0	96.5	96.8	96.8	0.85	0.86	0.84	0.80	31301	2.00	0.60	5.2	113	1970	o.r.
3550	1SQ7 564-6PA80-0C.2	992	245	96.1	96.7	96.9	96.9	0.85	0.86	0.85	0.80	34188	2.00	0.60	5.5	124	1965	o.r.
3900	1SQ7 567-6PA80-0C.2	993	270	96.3	96.7	97.0	97.0	0.85	0.86	0.85	0.81	37545	2.00	0.60	5.2	137	2350	o.r.
4200	1SQ7 568-6PA80-0C.2	993	290	96.5	96.9	97.1	97.1	0.86	0.86	0.85	0.81	40414	2.00	0.60	5.5	151	3125	o.r.
4700	1SQ8 632-6PA80-0C.0	991	325	96.3	96.9	97.1	97.0	0.84	0.86	0.83	0.76	45289	2.15	0.55	4.9	193	2130	o.r.
5000	1SQ8 633-6PA80-0C.2	991	345	96.3	96.9	97.2	97.2	0.84	0.86	0.84	0.79	48180	2.05	0.50	4.7	209	2320	o.r.
5400	1SQ8 634-6PA80-0C.0	992	370	96.4	97.0	97.3	97.2	0.84	0.87	0.85	0.80	51982	2.05	0.50	4.7	227	2580	o.r.
5850	1SQ8 637-6PA80-0C.0	992	400	96.5	97.1	97.4	97.3	0.85	0.87	0.85	0.80	56314	2.10	0.50	4.7	247	2860	o.r.
6400	1SQ8 638-6PA80-0C.0	992	435	96.7	97.2	97.4	97.2	0.86	0.87	0.84	0.78	61608	2.25	0.60	5.1	265	3100	o.r.
6800	1SQ8 712-6PA80-0C.0	993	465	96.8	97.3	97.6	97.5	0.85	0.87	0.85	0.80	65393	2.15	0.50	5.1	331	2590	o.r.
7550	1SQ8 713-6PA80-0C.0	994	510	97.0	97.5	97.7	97.5	0.86	0.87	0.85	0.79	72532	2.30	0.60	5.4	374	2990	o.r.
8750	1SQ8 714-6PA80-0C.0	994	600	97.1	97.5	97.7	97.6	0.85	0.87	0.85	0.79	84061	2.25	0.50	5.4	423	3310	o.r.
9500	1SQ8 717-6PA80-0C.0	994	640	97.2	97.6	97.8	97.7	0.87	0.88	0.87	0.81	91266	2.30	0.60	5.5	478	3770	o.r.
10500	1SQ8 718-6PA80-0C.0	994	720	97.3	97.7	97.8	97.6	0.86	0.86	0.83	0.76	100873	2.35	0.50	5.5	520	4500	o.r.
8-pole: $n_{sync} = 750$ rpm at 50 Hz																		
670	1SQ7 451-8PA80-0A.0	741	51	93.5	94.6	95.0	95.0	0.80	0.80	0.73	0.61	8632	2.05	0.70	5.0	23	580	o.r.
680	1SQ7 451-8PA80-0C.0	741	51	93.6	94.6	95.0	95.1	0.82	0.81	0.75	0.63	8758	2.25	0.65	5.1	30	790	o.r.
760	1SQ7 452-8PA80-0A.0	741	57	93.7	94.8	95.3	95.4	0.81	0.81	0.76	0.64	9794	2.05	0.70	5.0	25	790	o.r.
770	1SQ7 452-8PA80-0C.0	741	57	93.8	94.9	95.3	95.5	0.82	0.82	0.77	0.66	9918	2.25	0.65	5.1	32	1060	o.r.
860	1SQ7 453-8PA80-0A.0	741	65	94.2	95.1	95.4	95.4	0.80	0.80	0.73	0.60	11076	2.25	0.75	5.0	28	1030	o.r.
890	1SQ7 453-8PA80-0C.2	742	67	94.2	95.2	95.5	95.5	0.82	0.81	0.75	0.63	11461	2.40	0.65	5.0	36	1230	o.r.
950	1SQ7 454-8PA80-0A.0	741	71	94.2	95.2	95.6	95.7	0.81	0.81	0.75	0.63	12242	2.20	0.75	5.0	31	1170	o.r.
980	1SQ7 454-8PA80-0C.2	742	72	94.3	95.3	95.7	95.7	0.83	0.82	0.77	0.66	12623	2.45	0.70	5.1	40	1430	o.r.
1030	1SQ7 457-8PA80-0A.0	741	77	94.4	95.4	95.8	95.8	0.82	0.81	0.76	0.65	13272	2.25	0.80	5.2	35	1340	o.r.
1060	1SQ7 457-8PA80-0C.0	742	77	94.5	95.4	95.8	95.8	0.83	0.83	0.78	0.67	13650	2.45	0.70	5.2	45	1680	o.r.

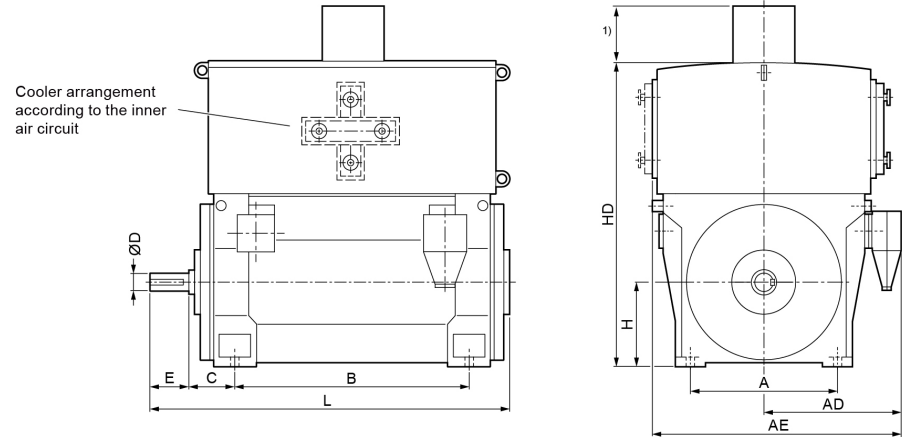
Innomotics HV M - 1SQ. IC86W 10000 V / 50 Hz B3 (IM 1001)																			
Rated power IEC	Article No.	Speed	Rated current I_R	Efficiency				Power factor				Torque T_R	Breakdown torque T_B/ T_R	Locked rotor torque T_{LR}/ T_R	Locked rotor current I_{LR}/ I_R	Inertia			
				5/4 load	4/4 load	3/4 load	2/4 load	5/4 load	4/4 load	3/4 load	2/4 load					motor	external	Startup max T/TR	
kW		rpm	A	%	%	%	%	$\cos \varphi$	$\cos \varphi$	$\cos \varphi$	$\cos \varphi$	Nm	[-]	[-]	[-]	kgm ²	kgm ²	[-]	
1120	1SQ7 458-8PA80-0A.2	742	84	94.6	95.6	95.8	95.8	0.82	0.81	0.76	0.64	14424	2.30	0.80	5.3	39	1440	o.r.	
1140	1SQ7 458-8PA80-0C.2	742	83	94.7	95.6	95.9	95.9	0.83	0.83	0.77	0.66	14669	2.55	0.75	5.5	50	1830	o.r.	
1250	1SQ7 502-8PA80-0C.2	742	91	95.1	95.9	96.3	96.5	0.81	0.83	0.80	0.73	16083	2.10	0.50	4.0	59	2570	o.r.	
1250	1SQ7 502-8PA80-0A.2	742	92	94.8	95.8	96.3	96.5	0.81	0.82	0.82	0.75	16088	1.90	0.70	3.9	46	1310	o.r.	
1380	1SQ7 503-8PA80-0A.2	743	102	95.2	95.9	96.4	96.5	0.82	0.82	0.80	0.73	17743	2.10	0.80	4.2	51	1920	o.r.	
1400	1SQ7 503-8PA80-0C.2	742	102	95.1	95.9	96.4	96.6	0.82	0.83	0.80	0.74	18017	2.05	0.55	4.0	65	2370	o.r.	
1550	1SQ7 504-8PA80-0A.2	743	112	95.3	96.1	96.5	96.6	0.82	0.83	0.80	0.73	19942	2.10	0.80	4.3	56	2870	o.r.	
1600	1SQ7 504-8PA80-0C.2	742	116	95.2	96.0	96.5	96.7	0.81	0.83	0.82	0.74	20596	2.05	0.55	3.9	72	2420	o.r.	
1720	1SQ7 507-8PA80-0A.2	743	126	95.6	96.2	96.6	96.6	0.82	0.82	0.80	0.72	22119	2.15	0.85	4.4	63	3460	o.r.	
1760	1SQ7 507-8PA80-0C.2	743	128	95.5	96.2	96.6	96.8	0.82	0.83	0.80	0.74	22637	2.15	0.55	4.1	80	3320	o.r.	
1810	1SQ7 508-8PA80-0A.2	744	134	95.8	96.3	96.5	96.4	0.82	0.81	0.77	0.67	23242	2.50	0.95	5.0	69	3350	o.r.	
1900	1SQ7 508-8PA80-0C.2	743	138	95.8	96.3	96.6	96.6	0.82	0.82	0.79	0.70	24416	2.40	0.65	4.6	88	4080	o.r.	
2050	1SQ7 562-8PA80-0C.2	744	148	95.4	96.1	96.4	96.2	0.82	0.83	0.80	0.73	26331	2.05	0.55	4.5	115	2835	o.r.	
2280	1SQ7 563-8PA80-0C.2	744	164	95.6	96.2	96.5	96.3	0.82	0.83	0.80	0.73	29302	2.10	0.60	4.5	124	2985	o.r.	
2600	1SQ7 564-8PA80-0C.2	744	188	95.8	96.4	96.7	96.5	0.82	0.83	0.80	0.74	33424	2.05	0.60	4.5	137	4255	o.r.	
2900	1SQ7 567-8PA80-0C.2	744	210	96.0	96.5	96.8	96.6	0.82	0.83	0.80	0.73	37275	2.10	0.55	4.6	150	5395	o.r.	
3150	1SQ7 568-8PA80-0C.2	744	225	96.1	96.6	96.9	96.6	0.83	0.83	0.81	0.74	40482	2.10	0.60	4.6	165	6300	o.r.	
3750	1SQ8 634-8PA80-0C.0	743	265	95.6	96.3	96.5	96.4	0.84	0.85	0.82	0.76	48196	1.90	0.40	4.2	251	4130	o.r.	
4200	1SQ8 637-8PA80-0C.0	744	290	96.0	96.5	96.6	96.3	0.85	0.86	0.81	0.73	53907	2.20	0.50	4.8	292	5610	o.r.	
4450	1SQ8 638-8PA80-0C.0	744	310	96.2	96.7	96.7	96.4	0.86	0.86	0.81	0.72	57116	2.30	0.55	5.1	326	7020	o.r.	
4750	1SQ8 712-8PA80-0C.0	745	310	96.3	96.7	96.8	96.5	0.86	0.86	0.81	0.72	60885	2.40	0.50	5.1	422	4890	o.r.	
5250	1SQ8 713-8PA80-0C.0	745	345	96.4	96.8	96.9	96.6	0.87	0.87	0.83	0.74	67294	2.45	0.60	5.3	474	4570	o.r.	
6000	1SQ8 714-8PA80-0C.0	746	390	96.6	97.0	97.0	96.6	0.86	0.86	0.81	0.72	76804	2.40	0.55	5.1	539	5540	o.r.	
6800	1SQ8 717-8PA80-0C.0	746	440	96.7	97.0	97.0	96.6	0.85	0.85	0.80	0.70	87045	2.40	0.50	5.1	614	6160	o.r.	
7400	1SQ8 718-8PA80-0C.0	746	495	96.8	97.1	97.0	96.6	0.86	0.85	0.80	0.69	94725	2.50	0.50	5.3	677	7320	o.r.	



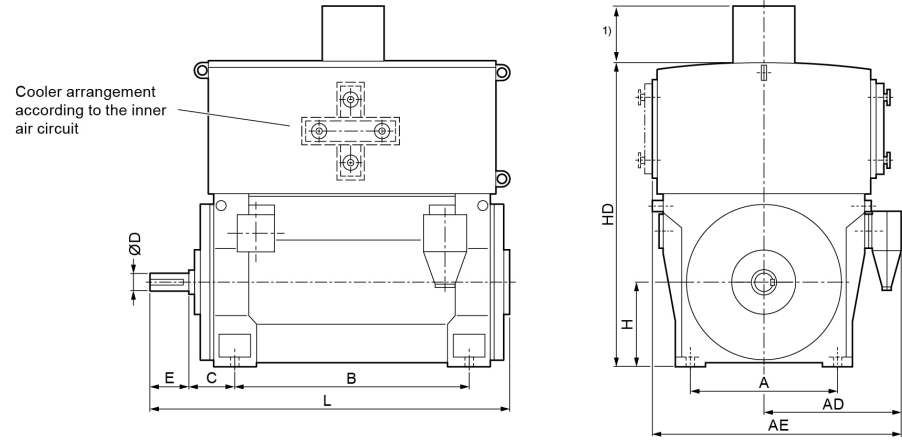
Motor type	Weight	Dimensions										
		A	AD	AE	B	C	D	E	H	HD	L	ML
	kg	mm	mm	mm	mm	mm	mm	mm	mm	mm	mm	mm
Innomotics HV M - 1SQ. IC86W 10000 V / 50 Hz B3 (IM 1001) - Dimension drawings												
2-pole												
1SQ7 453-2PA80-0AA2	4450	850	1140	1760	1180	250	95	130	450	2350	1790	o.r.
1SQ7 453-2PA80-0AC2	4350	850	1140	1760	1180	475	95	130	450	2350	2010	o.r.
1SQ7 453-2PA80-0CA0	4550	850	1140	1760	1180	250	95	130	450	2350	1790	o.r.
1SQ7 453-2PA80-0CC0	4500	850	1140	1760	1180	475	95	130	450	2350	2010	o.r.
1SQ7 454-2PA80-0AA2	4550	850	1140	1760	1180	250	95	130	450	2350	1790	o.r.
1SQ7 454-2PA80-0AC2	4450	850	1140	1760	1180	475	95	130	450	2350	2010	o.r.
1SQ7 454-2PA80-0CA2	4700	850	1140	1760	1180	250	95	130	450	2350	1790	o.r.
1SQ7 454-2PA80-0CC2	4600	850	1140	1760	1180	475	95	130	450	2350	2010	o.r.
1SQ7 457-2PA80-0AA2	4950	850	1140	1760	1400	250	95	130	450	2350	2000	o.r.
1SQ7 457-2PA80-0AC2	4850	850	1140	1760	1400	475	95	130	450	2350	2220	o.r.
1SQ7 457-2PA80-0CA2	5100	850	1140	1760	1400	250	95	130	450	2350	2000	o.r.
1SQ7 457-2PA80-0CC2	5000	850	1140	1760	1400	475	95	130	450	2350	2220	o.r.
1SQ7 458-2PA80-0AA2	5150	850	1140	1760	1400	250	95	130	450	2350	2000	o.r.
1SQ7 458-2PA80-0AC2	5050	850	1140	1760	1400	475	95	130	450	2350	2220	o.r.
1SQ7 458-2PA80-0CA2	5300	850	1140	1760	1400	250	95	130	450	2350	2000	o.r.
1SQ7 458-2PA80-0CC2	5200	850	1140	1760	1400	475	95	130	450	2350	2220	o.r.
1SQ7 503-2PA80-0AA0	5900	950	1220	1920	1320	250	110	165	500	2640	2000	o.r.
1SQ7 503-2PA80-0AC0	5850	950	1220	1920	1320	530	120	165	500	2640	2280	o.r.
1SQ7 503-2PA80-0CA0	6050	950	1220	1920	1320	250	110	165	500	2640	2000	o.r.
1SQ7 503-2PA80-0CC0	6000	950	1220	1920	1320	530	120	165	500	2640	2280	o.r.
1SQ7 504-2PA80-0AA0	6000	950	1220	1920	1320	250	110	165	500	2640	2000	o.r.
1SQ7 504-2PA80-0AC0	5900	950	1220	1920	1320	530	120	165	500	2640	2280	o.r.



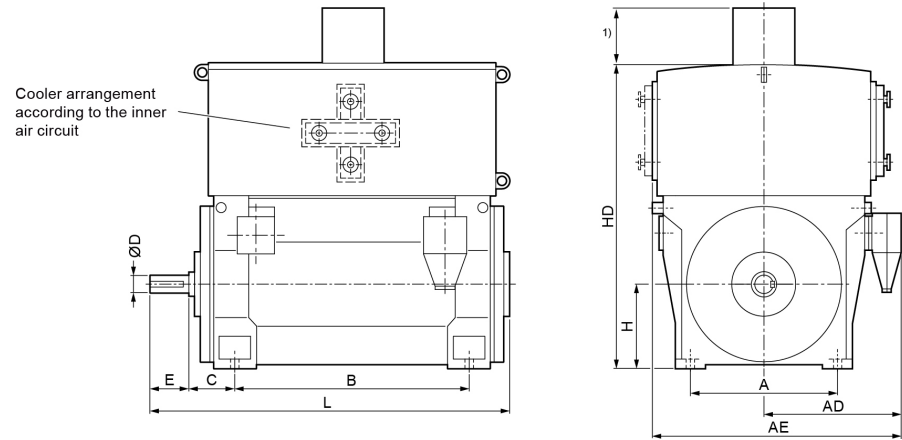
Motor type	Weight	Dimensions										
		A	AD	AE	B	C	D	E	H	HD	L	ML
	kg	mm	mm	mm	mm	mm	mm	mm	mm	mm	mm	mm
Innomotics HV M - 1SQ. IC86W 10000 V / 50 Hz B3 (IM 1001) - Dimension drawings												
1SQ7 504-2PA80-0CA2	6150	950	1220	1920	1320	250	110	165	500	2640	2000	o.r.
1SQ7 504-2PA80-0CC2	6050	950	1220	1920	1320	530	120	165	500	2640	2280	o.r.
1SQ7 507-2PA80-0AA2	6600	950	1220	1920	1500	250	110	165	500	2640	2210	o.r.
1SQ7 507-2PA80-0AC2	6550	950	1220	1920	1500	530	120	165	500	2640	2490	o.r.
1SQ7 507-2PA80-0CA2	6800	950	1220	1920	1500	250	110	165	500	2640	2210	o.r.
1SQ7 507-2PA80-0CC2	6700	950	1220	1920	1500	530	120	165	500	2640	2490	o.r.
1SQ7 508-2PA80-0AA2	7000	950	1220	1920	1500	250	110	165	500	2640	2210	o.r.
1SQ7 508-2PA80-0AC2	6900	950	1220	1920	1500	530	120	165	500	2640	2490	o.r.
1SQ7 508-2PA80-0CA2	7150	950	1220	1920	1500	250	110	165	500	2640	2210	o.r.
1SQ7 508-2PA80-0CC2	7100	950	1220	1920	1500	530	120	165	500	2640	2490	o.r.
1SQ7 562-2PA80-0CC2	7950	1060	1290	2060	1400	600	150	200	560	2830	2530	o.r.
1SQ7 563-2PA80-0CC2	8250	1060	1290	2060	1400	600	150	200	560	2830	2530	o.r.
1SQ7 564-2PA80-0CC2	8500	1060	1290	2060	1400	600	150	200	560	2830	2530	o.r.
1SQ7 567-2PA80-0CC2	9350	1060	1290	2060	1600	600	150	200	560	2830	2760	o.r.
1SQ7 568-2PA80-0CC2	9900	1060	1290	2060	1600	600	150	200	560	2830	2760	o.r.
1SQ8 632-2PA80-0CJ0	9500	1320	1520	2520	1600	560	160	240	630	3090	2760	o.r.
1SQ8 633-2PA80-0CJ0	10000	1320	1520	2520	1600	560	160	240	630	3090	2760	o.r.
1SQ8 634-2PA80-0CJ0	10500	1320	1520	2520	1600	560	160	240	630	3090	2760	o.r.
1SQ8 637-2PA80-0CJ0	11250	1320	1520	2520	1800	560	160	240	630	3090	2960	o.r.
1SQ8 638-2PA80-0CJ0	11900	1320	1520	2520	1800	560	160	240	630	3090	2960	o.r.
1SQ8 712-2PA80-0CJ0	13350	1500	1620	2720	2000	560	180	240	710	3360	3150	o.r.
1SQ8 713-2PA80-0CJ0	14000	1500	1620	2720	2000	560	180	240	710	3360	3150	o.r.
1SQ8 714-2PA80-0CJ0	14750	1500	1620	2720	2000	560	180	240	710	3360	3150	o.r.



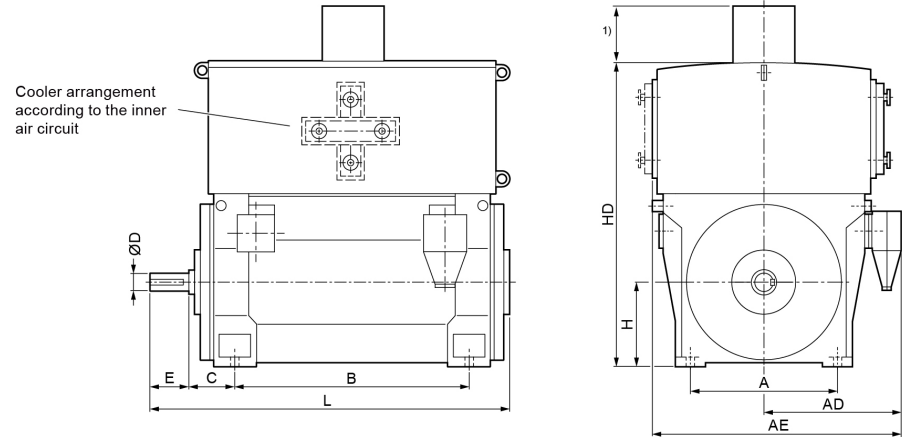
Motor type	Weight	Dimensions										
		A	AD	AE	B	C	D	E	H	HD	L	ML
	kg	mm	mm	mm	mm	mm	mm	mm	mm	mm	mm	mm
Innomotics HV M - 1SQ. IC86W 10000 V / 50 Hz B3 (IM 1001) - Dimension drawings												
1SQ8 716-2PA80-0CJ0	15600	1500	1620	2720	2240	560	180	240	710	3360	3390	o.r.
1SQ8 717-2PA80-0CJ0	16450	1500	1620	2720	2240	560	180	240	710	3360	3390	o.r.
1SQ8 718-2PA80-0CJ0	17150	1500	1620	2720	2240	560	180	240	710	3360	3390	o.r.
4-pole												
1SQ7 453-4PA80-0AA0	4450	850	1140	1760	1180	250	130	200	450	1940	2290	o.r.
1SQ7 453-4PA80-0AC0	4500	850	1140	1760	1180	500	130	200	450	1940	2540	o.r.
1SQ7 453-4PA80-0CA0	4600	850	1140	1760	1180	250	130	200	450	1940	2290	o.r.
1SQ7 453-4PA80-0CC0	4650	850	1140	1760	1180	500	130	200	450	1940	2540	o.r.
1SQ7 454-4PA80-0AA0	4650	850	1140	1760	1180	250	130	200	450	1940	2290	o.r.
1SQ7 454-4PA80-0AC0	4650	850	1140	1760	1180	500	130	200	450	1940	2540	o.r.
1SQ7 454-4PA80-0CA2	4800	850	1140	1760	1180	250	130	200	450	1940	2290	o.r.
1SQ7 454-4PA80-0CC2	4800	850	1140	1760	1180	500	130	200	450	1940	2540	o.r.
1SQ7 457-4PA80-0CA2	5400	850	1140	1760	1400	250	130	200	450	1940	2500	o.r.
1SQ7 457-4PA80-0CC2	5450	850	1140	1760	1400	500	130	200	450	1940	2750	o.r.
1SQ7 457-4PA80-0AA0	5250	850	1140	1760	1400	250	130	200	450	1940	2500	o.r.
1SQ7 457-4PA80-0AC0	5250	850	1140	1760	1400	500	130	200	450	1940	2750	o.r.
1SQ7 458-4PA80-0AA2	5450	850	1140	1760	1400	250	130	200	450	1940	2500	o.r.
1SQ7 458-4PA80-0AC2	5450	850	1140	1760	1400	500	130	200	450	1940	2750	o.r.
1SQ7 458-4PA80-0CA2	5600	850	1140	1760	1400	250	130	200	450	1940	2500	o.r.
1SQ7 458-4PA80-0CC2	5650	850	1140	1760	1400	500	130	200	450	1940	2750	o.r.
1SQ7 503-4PA80-0AA2	6200	950	1220	1920	1320	315	160	240	500	2640	2140	o.r.
1SQ7 503-4PA80-0AC2	6250	950	1220	1920	1320	560	170	240	500	2640	2380	o.r.
1SQ7 503-4PA80-0CA0	6300	950	1220	1920	1320	315	160	240	500	2640	2140	o.r.



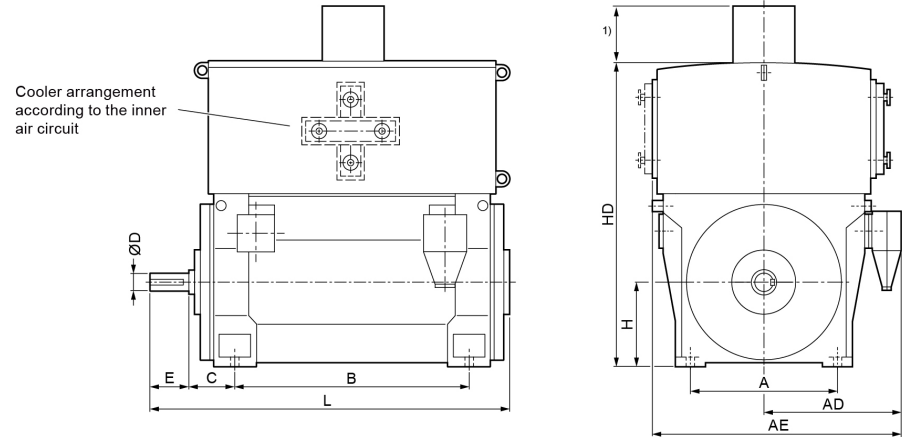
Motor type	Weight	Dimensions											
		A	AD	AE	B	C	D	E	H	HD	L	ML	
	kg	mm	mm	mm	mm	mm	mm	mm	mm	mm	mm	mm	mm
Innomotics HV M - 1SQ. IC86W 10000 V / 50 Hz B3 (IM 1001) - Dimension drawings													
1SQ7 503-4PA80-0CC0	6400	950	1220	1920	1320	560	170	240	500	2640	2380	o.r.	
1SQ7 504-4PA80-0CA2	6600	950	1220	1920	1320	315	160	240	500	2640	2140	o.r.	
1SQ7 504-4PA80-0CC2	6650	950	1220	1920	1320	560	170	240	500	2640	2380	o.r.	
1SQ7 504-4PA80-0AA2	6450	950	1220	1920	1320	315	160	240	500	2640	2140	o.r.	
1SQ7 504-4PA80-0AC2	6550	950	1220	1920	1320	560	170	240	500	2640	2380	o.r.	
1SQ7 507-4PA80-0CA2	7250	950	1220	1920	1500	315	160	240	500	2640	2350	o.r.	
1SQ7 507-4PA80-0CC2	7350	950	1220	1920	1500	560	170	240	500	2640	2590	o.r.	
1SQ7 507-4PA80-0AA2	7050	950	1220	1920	1500	315	160	240	500	2640	2350	o.r.	
1SQ7 507-4PA80-0AC2	7150	950	1220	1920	1500	560	170	240	500	2640	2590	o.r.	
1SQ7 508-4PA80-0CA2	7600	950	1220	1920	1500	315	160	240	500	2640	2350	o.r.	
1SQ7 508-4PA80-0CC2	7700	950	1220	1920	1500	560	170	240	500	2640	2590	o.r.	
1SQ7 508-4PA80-0AA2	7400	950	1220	1920	1500	315	160	240	500	2640	2350	o.r.	
1SQ7 508-4PA80-0AC2	7500	950	1220	1920	1500	560	170	240	500	2640	2590	o.r.	
1SQ7 563-4PA80-0CA2	8300	1060	1290	2060	1400	335	190	280	560	2830	2340	o.r.	
1SQ7 563-4PA80-0CC2	8350	1060	1290	2060	1400	600	190	280	560	2830	2610	o.r.	
1SQ7 564-4PA80-0CA2	8750	1060	1290	2060	1400	335	190	280	560	2830	2340	o.r.	
1SQ7 564-4PA80-0CC2	8800	1060	1290	2060	1400	600	190	280	560	2830	2610	o.r.	
1SQ7 566-4PA80-0CA2	9600	1060	1290	2060	1600	335	190	280	560	2830	2570	o.r.	
1SQ7 566-4PA80-0CC2	9650	1060	1290	2060	1600	600	190	280	560	2830	2840	o.r.	
1SQ7 567-4PA80-0CA2	10000	1060	1290	2060	1600	335	190	280	560	2830	2570	o.r.	
1SQ7 567-4PA80-0CC2	10050	1060	1290	2060	1600	600	190	280	560	2830	2840	o.r.	
1SQ7 568-4PA80-0CA2	10450	1060	1290	2060	1600	335	190	280	560	2830	2570	o.r.	
1SQ7 568-4PA80-0CC2	10550	1060	1290	2060	1600	600	190	280	560	2830	2840	o.r.	



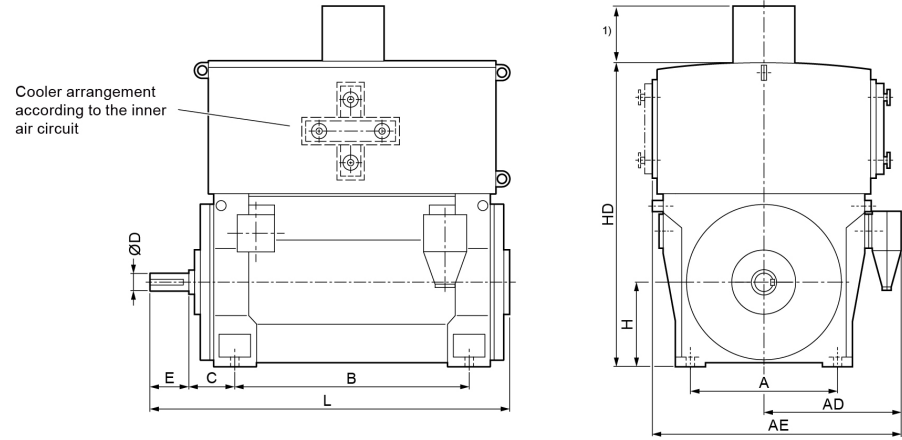
Motor type	Weight	Dimensions										
		A	AD	AE	B	C	D	E	H	HD	L	ML
	kg	mm	mm	mm	mm	mm	mm	mm	mm	mm	mm	mm
Innomotics HV M - 1SQ. IC86W 10000 V / 50 Hz B3 (IM 1001) - Dimension drawings												
1SQ8 633-4PA80-0CG0	10650	1320	1520	2520	1600	375	200	280	630	3090	2620	o.r.
1SQ8 633-4PA80-0CJ0	10750	1320	1520	2520	1600	630	200	280	630	3090	2870	o.r.
1SQ8 634-4PA80-0CG0	11200	1320	1520	2520	1600	375	200	280	630	3090	2620	o.r.
1SQ8 634-4PA80-0CJ0	11350	1320	1520	2520	1600	630	200	280	630	3090	2870	o.r.
1SQ8 637-4PA80-0CG0	12100	1320	1520	2520	1800	375	200	280	630	3090	2820	o.r.
1SQ8 637-4PA80-0CJ0	12200	1320	1520	2520	1800	630	200	280	630	3090	3070	o.r.
1SQ8 638-4PA80-0CG0	12700	1320	1520	2520	1800	375	200	280	630	3090	2820	o.r.
1SQ8 638-4PA80-0CJ0	12800	1320	1520	2520	1800	630	200	280	630	3090	3070	o.r.
1SQ8 712-4PA80-0CG0	14500	1500	1620	2720	2000	375	220	280	710	3360	3010	o.r.
1SQ8 712-4PA80-0CJ0	14650	1500	1620	2720	2000	630	220	280	710	3360	3260	o.r.
1SQ8 713-4PA80-0CG0	15200	1500	1620	2720	2000	375	220	280	710	3360	3010	o.r.
1SQ8 713-4PA80-0CJ0	15300	1500	1620	2720	2000	630	220	280	710	3360	3260	o.r.
1SQ8 714-4PA80-0CG0	15900	1500	1620	2720	2000	375	220	280	710	3360	3010	o.r.
1SQ8 714-4PA80-0CJ0	16050	1500	1620	2720	2000	630	220	280	710	3360	3260	o.r.
1SQ8 717-4PA80-0CG0	17050	1500	1620	2720	2240	375	220	280	710	3360	3250	o.r.
1SQ8 717-4PA80-0CJ0	17200	1500	1620	2720	2240	630	220	280	710	3360	3500	o.r.
1SQ8 718-4PA80-0CG2	17650	1500	1620	2720	2240	375	220	280	710	3360	3250	o.r.
1SQ8 718-4PA80-0CJ2	17800	1500	1620	2720	2240	630	220	280	710	3360	3500	o.r.
6-pole												
1SQ7 452-6PA80-0AA0	4300	850	1140	1760	1180	250	130	200	450	1940	2290	o.r.
1SQ7 452-6PA80-0AC0	4350	850	1140	1760	1180	500	130	200	450	1940	2540	o.r.
1SQ7 452-6PA80-0CA0	4450	850	1140	1760	1180	250	130	200	450	1940	2290	o.r.
1SQ7 452-6PA80-0CC0	4500	850	1140	1760	1180	500	130	200	450	1940	2540	o.r.



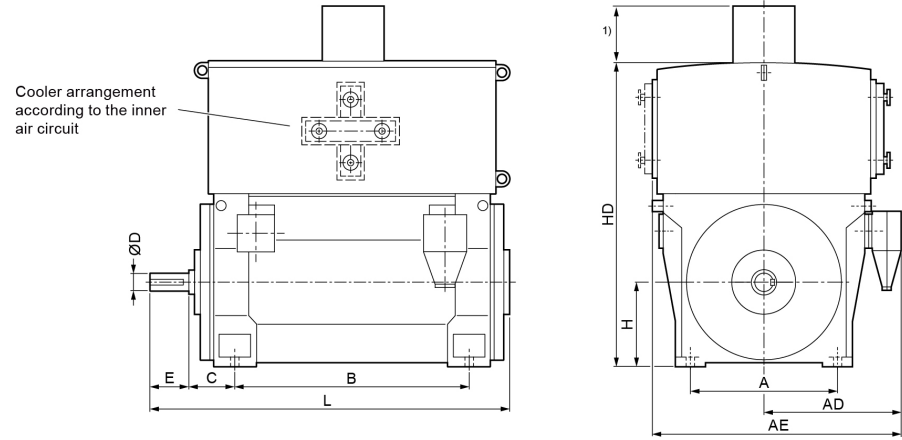
Motor type	Weight	Dimensions										
		A	AD	AE	B	C	D	E	H	HD	L	ML
	kg	mm	mm	mm	mm	mm	mm	mm	mm	mm	mm	mm
Innomotics HV M - 1SQ. IC86W 10000 V / 50 Hz B3 (IM 1001) - Dimension drawings												
1SQ7 453-6PA80-0AA0	4450	850	1140	1760	1180	250	130	200	450	1940	2290	o.r.
1SQ7 453-6PA80-0AC0	4500	850	1140	1760	1180	500	130	200	450	1940	2540	o.r.
1SQ7 453-6PA80-0CA0	4600	850	1140	1760	1180	250	130	200	450	1940	2290	o.r.
1SQ7 453-6PA80-0CC0	4650	850	1140	1760	1180	500	130	200	450	1940	2540	o.r.
1SQ7 454-6PA80-0AA0	4650	850	1140	1760	1180	250	130	200	450	1940	2290	o.r.
1SQ7 454-6PA80-0AC0	4650	850	1140	1760	1180	500	130	200	450	1940	2540	o.r.
1SQ7 454-6PA80-0CA0	4800	850	1140	1760	1180	250	130	200	450	1940	2290	o.r.
1SQ7 454-6PA80-0CC0	4850	850	1140	1760	1180	500	130	200	450	1940	2540	o.r.
1SQ7 457-6PA80-0AA0	5100	850	1140	1760	1400	250	130	200	450	1940	2500	o.r.
1SQ7 457-6PA80-0AC0	5150	850	1140	1760	1400	500	130	200	450	1940	2750	o.r.
1SQ7 457-6PA80-0CA0	5300	850	1140	1760	1400	250	130	200	450	1940	2500	o.r.
1SQ7 457-6PA80-0CC0	5300	850	1140	1760	1400	500	130	200	450	1940	2750	o.r.
1SQ7 458-6PA80-0AA0	5400	850	1140	1760	1400	250	130	200	450	1940	2500	o.r.
1SQ7 458-6PA80-0AC0	5400	850	1140	1760	1400	500	130	200	450	1940	2750	o.r.
1SQ7 458-6PA80-0CA0	5600	850	1140	1760	1400	250	130	200	450	1940	2500	o.r.
1SQ7 458-6PA80-0CC0	5600	850	1140	1760	1400	500	130	200	450	1940	2750	o.r.
1SQ7 502-6PA80-0CA2	6250	950	1220	1920	1320	315	160	240	500	2230	2520	o.r.
1SQ7 502-6PA80-0CC2	6300	950	1220	1920	1320	560	170	240	500	2230	2760	o.r.
1SQ7 502-6PA80-0AA0	6000	950	1220	1920	1320	315	160	240	500	2230	2520	o.r.
1SQ7 502-6PA80-0AC0	6050	950	1220	1920	1320	560	170	240	500	2230	2760	o.r.
1SQ7 503-6PA80-0CA2	6500	950	1220	1920	1320	315	160	240	500	2230	2520	o.r.
1SQ7 503-6PA80-0CC2	6550	950	1220	1920	1320	560	170	240	500	2230	2760	o.r.
1SQ7 503-6PA80-0AA0	6250	950	1220	1920	1320	315	160	240	500	2230	2520	o.r.



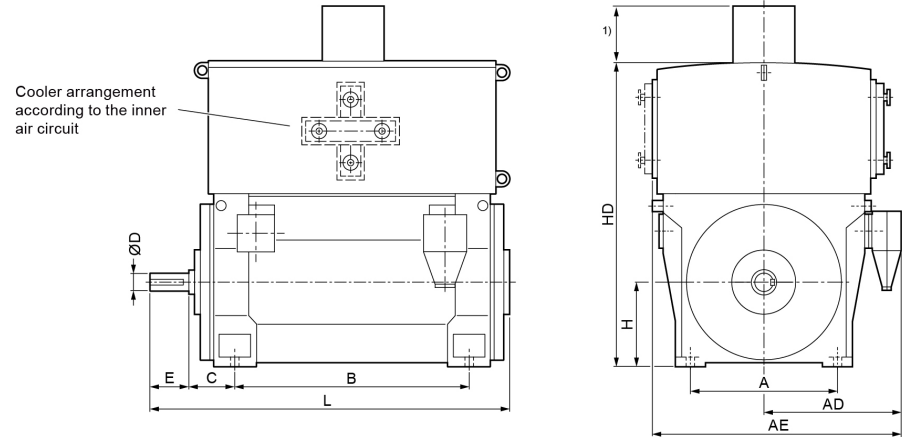
Motor type	Weight	Dimensions											
		A	AD	AE	B	C	D	E	H	HD	L	ML	
	kg	mm	mm	mm	mm	mm	mm	mm	mm	mm	mm	mm	
Innomotics HV M - 1SQ. IC86W 10000 V / 50 Hz B3 (IM 1001) - Dimension drawings													
1SQ7 503-6PA80-0AC0	6300	950	1220	1920	1320	560	170	240	500	2230	2760	o.r.	
1SQ7 504-6PA80-0CA2	6750	950	1220	1920	1320	315	160	240	500	2230	2520	o.r.	
1SQ7 504-6PA80-0CC2	6800	950	1220	1920	1320	560	170	240	500	2230	2760	o.r.	
1SQ7 504-6PA80-0AA2	6500	950	1220	1920	1320	315	160	240	500	2230	2520	o.r.	
1SQ7 504-6PA80-0AC2	6550	950	1220	1920	1320	560	170	240	500	2230	2760	o.r.	
1SQ7 507-6PA80-0CA2	7400	950	1220	1920	1500	315	160	240	500	2230	2730	o.r.	
1SQ7 507-6PA80-0CC2	7500	950	1220	1920	1500	560	170	240	500	2230	2970	o.r.	
1SQ7 507-6PA80-0AA2	7200	950	1220	1920	1500	315	160	240	500	2230	2730	o.r.	
1SQ7 507-6PA80-0AC2	7250	950	1220	1920	1500	560	170	240	500	2230	2970	o.r.	
1SQ7 508-6PA80-0AA2	7500	950	1220	1920	1500	315	160	240	500	2230	2730	o.r.	
1SQ7 508-6PA80-0AC2	7550	950	1220	1920	1500	560	170	240	500	2230	2970	o.r.	
1SQ7 508-6PA80-0CA2	7800	950	1220	1920	1500	315	160	240	500	2230	2730	o.r.	
1SQ7 508-6PA80-0CC2	7850	950	1220	1920	1500	560	170	240	500	2230	2970	o.r.	
1SQ7 562-6PA80-0CA2	8700	1060	1290	2060	1400	335	190	280	560	2680	2770	o.r.	
1SQ7 562-6PA80-0CC2	8750	1060	1290	2060	1400	600	190	280	560	2680	3030	o.r.	
1SQ7 563-6PA80-0CA2	8950	1060	1290	2060	1400	335	190	280	560	2680	2770	o.r.	
1SQ7 563-6PA80-0CC2	9050	1060	1290	2060	1400	600	190	280	560	2680	3030	o.r.	
1SQ7 564-6PA80-0CA2	9350	1060	1290	2060	1400	335	190	280	560	2680	2770	o.r.	
1SQ7 564-6PA80-0CC2	9450	1060	1290	2060	1400	600	190	280	560	2680	3030	o.r.	
1SQ7 567-6PA80-0CA2	10150	1060	1290	2060	1600	335	190	280	560	2680	3000	o.r.	
1SQ7 567-6PA80-0CC2	10250	1060	1290	2060	1600	600	190	280	560	2680	3260	o.r.	
1SQ7 568-6PA80-0CA2	10800	1060	1290	2060	1600	335	190	280	560	2680	3000	o.r.	
1SQ7 568-6PA80-0CC2	10850	1060	1290	2060	1600	600	190	280	560	2680	3260	o.r.	



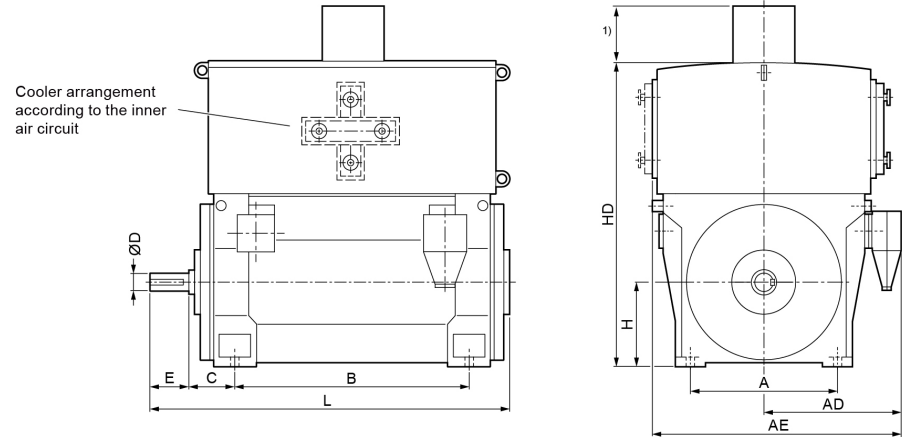
Motor type	Weight	Dimensions										
		A	AD	AE	B	C	D	E	H	HD	L	ML
	kg	mm	mm	mm	mm	mm	mm	mm	mm	mm	mm	mm
Innomotics HV M - 1SQ. IC86W 10000 V / 50 Hz B3 (IM 1001) - Dimension drawings												
1SQ8 632-6PA80-0CG0	10650	1320	1520	2520	1600	375	200	280	630	3090	2620	o.r.
1SQ8 632-6PA80-0CJ0	10750	1320	1520	2520	1600	630	200	280	630	3090	2870	o.r.
1SQ8 633-6PA80-0CG2	11100	1320	1520	2520	1600	375	200	280	630	3090	2620	o.r.
1SQ8 633-6PA80-0CJ2	11200	1320	1520	2520	1600	630	200	280	630	3090	2870	o.r.
1SQ8 634-6PA80-0CG0	11650	1320	1520	2520	1600	375	200	280	630	3090	2620	o.r.
1SQ8 634-6PA80-0CJ0	11750	1320	1520	2520	1600	630	200	280	630	3090	2870	o.r.
1SQ8 637-6PA80-0CG0	12400	1320	1520	2520	1800	375	200	280	630	3090	2820	o.r.
1SQ8 637-6PA80-0CJ0	12500	1320	1520	2520	1800	630	200	280	630	3090	3070	o.r.
1SQ8 638-6PA80-0CG0	12900	1320	1520	2520	1800	375	200	280	630	3090	2820	o.r.
1SQ8 638-6PA80-0CJ0	13000	1320	1520	2520	1800	630	200	280	630	3090	3070	o.r.
1SQ8 712-6PA80-0CG0	14450	1500	1620	2720	2000	375	220	280	710	3360	3010	o.r.
1SQ8 712-6PA80-0CJ0	14600	1500	1620	2720	2000	630	220	280	710	3360	3260	o.r.
1SQ8 713-6PA80-0CG0	15350	1500	1620	2720	2000	375	220	280	710	3360	3010	o.r.
1SQ8 713-6PA80-0CJ0	15500	1500	1620	2720	2000	630	220	280	710	3360	3260	o.r.
1SQ8 714-6PA80-0CG0	16400	1500	1620	2720	2000	375	220	280	710	3360	3010	o.r.
1SQ8 714-6PA80-0CJ0	16550	1500	1620	2720	2000	630	220	280	710	3360	3260	o.r.
1SQ8 717-6PA80-0CG0	17750	1500	1620	2720	2240	375	220	280	710	3360	3250	o.r.
1SQ8 717-6PA80-0CJ0	17900	1500	1620	2720	2240	630	220	280	710	3360	3500	o.r.
1SQ8 718-6PA80-0CG0	18800	1500	1620	2720	2240	375	220	280	710	3360	3250	o.r.
1SQ8 718-6PA80-0CJ0	18950	1500	1620	2720	2240	630	220	280	710	3360	3500	o.r.
8-pole												
1SQ7 451-8PA80-0AA0	4300	850	1140	1760	1180	250	130	200	450	1940	2290	o.r.
1SQ7 451-8PA80-0AC0	4300	850	1140	1760	1180	500	130	200	450	1940	2540	o.r.



Motor type	Weight	Dimensions										
		A	AD	AE	B	C	D	E	H	HD	L	ML
	kg	mm	mm	mm	mm	mm	mm	mm	mm	mm	mm	mm
Innomotics HV M - 1SQ. IC86W 10000 V / 50 Hz B3 (IM 1001) - Dimension drawings												
1SQ7 451-8PA80-0CA0	4400	850	1140	1760	1180	250	130	200	450	1940	2290	o.r.
1SQ7 451-8PA80-0CC0	4450	850	1140	1760	1180	500	130	200	450	1940	2540	o.r.
1SQ7 452-8PA80-0AA0	4450	850	1140	1760	1180	250	130	200	450	1940	2290	o.r.
1SQ7 452-8PA80-0AC0	4500	850	1140	1760	1180	500	130	200	450	1940	2540	o.r.
1SQ7 452-8PA80-0CA0	4600	850	1140	1760	1180	250	130	200	450	1940	2290	o.r.
1SQ7 452-8PA80-0CC0	4600	850	1140	1760	1180	500	130	200	450	1940	2540	o.r.
1SQ7 453-8PA80-0AA0	4650	850	1140	1760	1180	250	130	200	450	1940	2290	o.r.
1SQ7 453-8PA80-0AC0	4700	850	1140	1760	1180	500	130	200	450	1940	2540	o.r.
1SQ7 453-8PA80-0CA2	4800	850	1140	1760	1180	250	130	200	450	1940	2290	o.r.
1SQ7 453-8PA80-0CC2	4850	850	1140	1760	1180	500	130	200	450	1940	2540	o.r.
1SQ7 454-8PA80-0AA0	4900	850	1140	1760	1180	250	130	200	450	1940	2290	o.r.
1SQ7 454-8PA80-0AC0	4900	850	1140	1760	1180	500	130	200	450	1940	2540	o.r.
1SQ7 454-8PA80-0CA2	5050	850	1140	1760	1180	250	130	200	450	1940	2290	o.r.
1SQ7 454-8PA80-0CC2	5100	850	1140	1760	1180	500	130	200	450	1940	2540	o.r.
1SQ7 457-8PA80-0AA0	5350	850	1140	1760	1400	250	130	200	450	1940	2500	o.r.
1SQ7 457-8PA80-0AC0	5400	850	1140	1760	1400	500	130	200	450	1940	2750	o.r.
1SQ7 457-8PA80-0CA0	5550	850	1140	1760	1400	250	130	200	450	1940	2500	o.r.
1SQ7 457-8PA80-0CC0	5600	850	1140	1760	1400	500	130	200	450	1940	2750	o.r.
1SQ7 458-8PA80-0AA2	5600	850	1140	1760	1400	250	130	200	450	1940	2500	o.r.
1SQ7 458-8PA80-0AC2	5650	850	1140	1760	1400	500	130	200	450	1940	2750	o.r.
1SQ7 458-8PA80-0CA2	5800	850	1140	1760	1400	250	130	200	450	1940	2500	o.r.
1SQ7 458-8PA80-0CC2	5850	850	1140	1760	1400	500	130	200	450	1940	2750	o.r.
1SQ7 502-8PA80-0CA2	6250	950	1220	1920	1320	315	160	240	500	2230	2520	o.r.



Motor type	Weight	Dimensions												
		A	AD	AE	B	C	D	E	H	HD	L	ML		
	kg	mm	mm	mm	mm	mm	mm	mm	mm	mm	mm	mm	mm	
Innomotics HV M - 1SQ. IC86W 10000 V / 50 Hz B3 (IM 1001) - Dimension drawings														
1SQ7 502-8PA80-0CC2	6300	950	1220	1920	1320	560	170	240	500	2230	2760	o.r.		
1SQ7 502-8PA80-0AA2	6000	950	1220	1920	1320	315	160	240	500	2230	2520	o.r.		
1SQ7 502-8PA80-0AC2	6050	950	1220	1920	1320	560	170	240	500	2230	2760	o.r.		
1SQ7 503-8PA80-0AA2	6250	950	1220	1920	1320	315	160	240	500	2230	2520	o.r.		
1SQ7 503-8PA80-0AC2	6300	950	1220	1920	1320	560	170	240	500	2230	2760	o.r.		
1SQ7 503-8PA80-0CA2	6500	950	1220	1920	1320	315	160	240	500	2230	2520	o.r.		
1SQ7 503-8PA80-0CC2	6550	950	1220	1920	1320	560	170	240	500	2230	2760	o.r.		
1SQ7 504-8PA80-0AA2	6550	950	1220	1920	1320	315	160	240	500	2230	2520	o.r.		
1SQ7 504-8PA80-0AC2	6600	950	1220	1920	1320	560	170	240	500	2230	2760	o.r.		
1SQ7 504-8PA80-0CA2	6800	950	1220	1920	1320	315	160	240	500	2230	2520	o.r.		
1SQ7 504-8PA80-0CC2	6850	950	1220	1920	1320	560	170	240	500	2230	2760	o.r.		
1SQ7 507-8PA80-0AA2	7250	950	1220	1920	1500	315	160	240	500	2230	2730	o.r.		
1SQ7 507-8PA80-0AC2	7300	950	1220	1920	1500	560	170	240	500	2230	2970	o.r.		
1SQ7 507-8PA80-0CA2	7500	950	1220	1920	1500	315	160	240	500	2230	2730	o.r.		
1SQ7 507-8PA80-0CC2	7550	950	1220	1920	1500	560	170	240	500	2230	2970	o.r.		
1SQ7 508-8PA80-0AA2	7550	950	1220	1920	1500	315	160	240	500	2230	2730	o.r.		
1SQ7 508-8PA80-0AC2	7600	950	1220	1920	1500	560	170	240	500	2230	2970	o.r.		
1SQ7 508-8PA80-0CA2	7800	950	1220	1920	1500	315	160	240	500	2230	2730	o.r.		
1SQ7 508-8PA80-0CC2	7850	950	1220	1920	1500	560	170	240	500	2230	2970	o.r.		
1SQ7 562-8PA80-0CA2	8550	1060	1290	2060	1400	335	190	280	560	2680	2770	o.r.		
1SQ7 562-8PA80-0CC2	8650	1060	1290	2060	1400	600	190	280	560	2680	3030	o.r.		
1SQ7 563-8PA80-0CA2	8850	1060	1290	2060	1400	335	190	280	560	2680	2770	o.r.		
1SQ7 563-8PA80-0CC2	8950	1060	1290	2060	1400	600	190	280	560	2680	3030	o.r.		



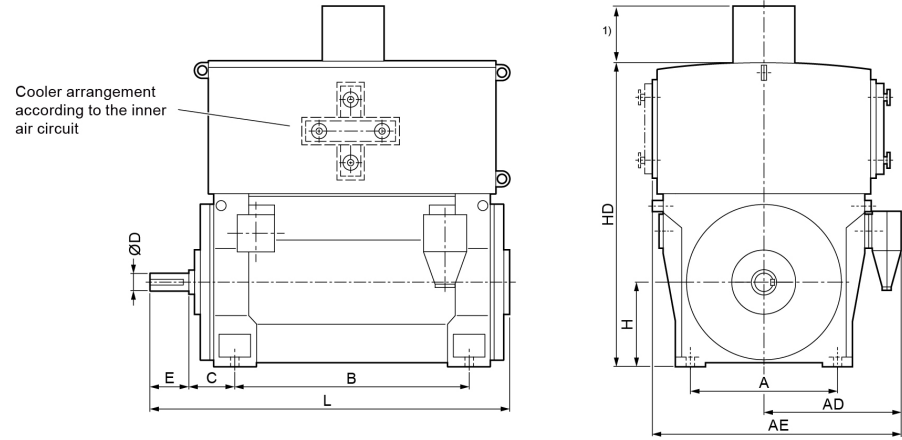
Motor type	Weight	Dimensions											
		A	AD	AE	B	C	D	E	H	HD	L	ML	
	kg	mm	mm	mm	mm	mm	mm	mm	mm	mm	mm	mm	mm
Innomotics HV M - 1SQ. IC86W 10000 V / 50 Hz B3 (IM 1001) - Dimension drawings													
1SQ7 564-8PA80-0CA2	9350	1060	1290	2060	1400	335	190	280	560	2680	2770	o.r.	
1SQ7 564-8PA80-0CC2	9450	1060	1290	2060	1400	600	190	280	560	2680	3030	o.r.	
1SQ7 567-8PA80-0CA2	10200	1060	1290	2060	1600	335	190	280	560	2680	3000	o.r.	
1SQ7 567-8PA80-0CC2	10300	1060	1290	2060	1600	600	190	280	560	2680	3260	o.r.	
1SQ7 568-8PA80-0CA2	10700	1060	1290	2060	1600	335	190	280	560	2680	3000	o.r.	
1SQ7 568-8PA80-0CC2	10750	1060	1290	2060	1600	600	190	280	560	2680	3260	o.r.	
1SQ8 634-8PA80-0CG0	10750	1320	1520	2520	1600	375	200	280	630	3090	2620	o.r.	
1SQ8 634-8PA80-0CJ0	10850	1320	1520	2520	1600	630	200	280	630	3090	2870	o.r.	
1SQ8 637-8PA80-0CG0	11850	1320	1520	2520	1800	375	200	280	630	3090	2820	o.r.	
1SQ8 637-8PA80-0CJ0	11950	1320	1520	2520	1800	630	200	280	630	3090	3070	o.r.	
1SQ8 638-8PA80-0CG0	12550	1320	1520	2520	1800	375	200	280	630	3090	2820	o.r.	
1SQ8 638-8PA80-0CJ0	12650	1320	1520	2520	1800	630	200	280	630	3090	3070	o.r.	
1SQ8 712-8PA80-0CG0	13900	1500	1620	2720	2000	375	220	280	710	3270	3010	o.r.	
1SQ8 712-8PA80-0CJ0	14100	1500	1620	2720	2000	630	220	280	710	3270	3260	o.r.	
1SQ8 713-8PA80-0CG0	14700	1500	1620	2720	2000	375	220	280	710	3270	3010	o.r.	
1SQ8 713-8PA80-0CJ0	14900	1500	1620	2720	2000	630	220	280	710	3270	3260	o.r.	
1SQ8 714-8PA80-0CG0	15800	1500	1620	2720	2000	375	220	280	710	3270	3010	o.r.	
1SQ8 714-8PA80-0CJ0	16000	1500	1620	2720	2000	630	220	280	710	3270	3260	o.r.	
1SQ8 717-8PA80-0CG0	17400	1500	1620	2720	2240	375	220	280	710	3270	3250	o.r.	
1SQ8 717-8PA80-0CJ0	17600	1500	1620	2720	2240	630	220	280	710	3270	3500	o.r.	
1SQ8 718-8PA80-0CG0	18450	1500	1620	2720	2240	375	220	280	710	3270	3250	o.r.	
1SQ8 718-8PA80-0CJ0	18650	1500	1620	2720	2240	630	220	280	710	3270	3500	o.r.	

Innomotics HV M - 1SQ. IC86W 11000 V / 50 Hz B3 (IM 1001)																		
Rated power IEC	Article No.	Speed	Rated current I_R	Efficiency				Power factor				Torque T_R	Breakdown torque T_B/ T_R	Locked rotor torque T_{LR}/ T_R	Locked rotor current I_{LR}/ I_R	Inertia		
				5/4 load	4/4 load	3/4 load	2/4 load	5/4 load	4/4 load	3/4 load	2/4 load					motor	external	Startup max T/TR
kW		rpm	A	%	%	%	%	$\cos \varphi$	$\cos \varphi$	$\cos \varphi$	$\cos \varphi$	Nm	[-]	[-]	[-]	kgm ²	kgm ²	[-]
2-pole: $n_{sync} = 3000$ rpm at 50 Hz																		
1260	1SQ7 452-2PA90-0A.0	2978	79	94.8	95.6	95.9	95.7	0.87	0.88	0.87	0.83	4040	2.20	0.50	5.2	9	45	o.r.
1400	1SQ7 453-2PA90-0A.0	2978	87	95.1	95.8	96.1	95.9	0.87	0.88	0.87	0.83	4489	2.20	0.50	5.2	10	55	o.r.
1400	1SQ7 453-2PA90-0C.0	2977	85	95.1	95.8	96.1	95.9	0.88	0.90	0.89	0.87	4491	2.20	0.55	5.2	14	75	o.r.
1500	1SQ7 454-2PA90-0A.0	2980	93	95.3	95.9	96.1	95.7	0.87	0.88	0.86	0.80	4807	2.50	0.55	6.0	11	55	o.r.
1500	1SQ7 454-2PA90-0C.0	2978	91	95.2	96.0	96.2	96.0	0.89	0.90	0.90	0.87	4810	2.30	0.60	5.4	15	75	o.r.
1700	1SQ7 457-2PA90-0A.0	2980	106	95.5	96.1	96.2	95.9	0.88	0.88	0.86	0.80	5448	2.50	0.55	6.0	12	75	o.r.
1700	1SQ7 457-2PA90-0C.0	2979	104	95.5	96.1	96.2	95.9	0.89	0.90	0.89	0.86	5449	2.50	0.60	5.6	16	100	o.r.
1900	1SQ7 458-2PA90-0A.0	2980	116	95.7	96.3	96.5	96.2	0.88	0.89	0.87	0.82	6088	2.55	0.60	6.0	13	80	o.r.
1900	1SQ7 458-2PA90-0C.0	2980	114	95.7	96.3	96.5	96.2	0.90	0.91	0.90	0.87	6088	2.50	0.60	5.8	17	110	o.r.
2200	1SQ7 503-2PA90-0C.0	2976	134	95.7	96.3	96.7	96.6	0.88	0.89	0.89	0.86	7059	2.25	0.55	4.4	20	134	o.r.
2150	1SQ7 503-2PA90-0A.0	2971	134	95.5	96.1	96.6	96.8	0.86	0.88	0.88	0.86	6910	2.00	0.45	5.0	15	28	o.r.
2500	1SQ7 504-2PA90-0C.0	2977	152	96.0	96.5	96.7	96.6	0.88	0.89	0.89	0.84	8019	2.45	0.70	4.8	21	126	o.r.
2300	1SQ7 504-2PA90-0A.0	2972	142	95.5	96.2	96.7	96.8	0.86	0.88	0.88	0.86	7390	2.00	0.45	5.0	15	28	o.r.
2750	1SQ7 507-2PA90-0C.0	2979	166	96.3	96.7	97.0	96.9	0.89	0.90	0.90	0.86	8815	2.50	0.70	5.1	24	140	o.r.
2600	1SQ7 507-2PA90-0A.0	2973	158	95.9	96.5	96.9	97.0	0.88	0.89	0.90	0.87	8351	2.30	0.50	5.4	18	36	o.r.
3100	1SQ7 508-2PA90-0C.0	2980	184	96.5	96.9	97.1	97.0	0.90	0.91	0.91	0.87	9934	2.60	0.75	5.4	27	148	o.r.
2850	1SQ7 508-2PA90-0A.0	2976	174	96.2	96.7	97.0	97.0	0.88	0.89	0.90	0.86	9145	2.50	0.45	5.9	20	44	o.r.
3670	1SQ7 562-2PA90-0CC0	2982	225	96.3	96.6	96.8	96.5	0.88	0.89	0.88	0.85	11752	2.25	0.60	5.1	41	235	o.r.
3920	1SQ7 563-2PA90-0CC0	2981	235	96.4	96.7	96.9	96.7	0.88	0.90	0.89	0.86	12557	2.25	0.55	5.1	44	240	o.r.
4430	1SQ7 564-2PA90-0CC0	2983	270	96.5	96.7	96.9	96.5	0.88	0.89	0.87	0.83	14181	2.50	0.65	5.7	47	220	o.r.
5000	1SQ7 567-2PA90-0CC0	2982	300	96.7	97.0	97.2	96.9	0.89	0.90	0.90	0.87	16012	2.35	0.60	5.4	52	270	o.r.
5170	1SQ7 568-2PA90-0CC0	2985	305	96.9	97.1	97.2	96.9	0.91	0.91	0.90	0.86	16539	2.70	0.65	6.2	58	260	o.r.
5800	1SQ8 632-2PA90-0CJ0	2982	355	96.3	96.9	96.8	96.4	0.86	0.88	0.89	0.87	18573	2.00	0.50	4.6	75	270	o.r.
6550	1SQ8 633-2PA90-0CJ0	2982	400	96.5	97.0	97.0	96.6	0.87	0.89	0.89	0.88	20975	2.05	0.50	4.8	82	270	o.r.
7050	1SQ8 634-2PA90-0CJ0	2982	430	96.6	97.1	97.1	96.7	0.87	0.89	0.90	0.89	22576	2.10	0.55	5.0	90	270	o.r.
8050	1SQ8 637-2PA90-0CJ0	2983	480	96.8	97.3	97.2	96.9	0.88	0.90	0.91	0.89	25770	2.20	0.60	5.3	99	270	o.r.
8850	1SQ8 638-2PA90-0CJ0	2984	520	97.0	97.4	97.4	97.0	0.89	0.91	0.91	0.89	28321	2.35	0.65	5.6	108	270	o.r.
9150	1SQ8 712-2PA90-0CJ0	2984	560	96.7	97.0	97.0	96.5	0.85	0.88	0.89	0.88	29282	1.75	0.50	4.1	149	220	o.r.
9900	1SQ8 713-2PA90-0CJ0	2985	600	96.8	97.1	97.1	96.6	0.86	0.89	0.89	0.89	31671	1.90	0.50	4.0	160	210	o.r.
10600	1SQ8 714-2PA90-0CJ0	2986	630	97.0	97.2	97.1	96.6	0.88	0.91	0.90	0.89	33899	2.10	0.55	4.4	173	210	o.r.
12000	1SQ8 716-2PA90-0CJ0	2986	720	97.1	97.3	97.3	96.8	0.88	0.90	0.90	0.89	38376	2.10	0.60	5.0	186	190	o.r.
13200	1SQ8 717-2PA90-0CJ0	2987	780	97.3	97.4	97.4	96.9	0.89	0.91	0.91	0.90	42200	2.20	0.60	5.2	202	170	o.r.
13850	1SQ8 718-2PA90-0CJ0	2988	820	97.2	97.4	97.4	97.0	0.89	0.91	0.91	0.90	44263	2.20	0.60	5.3	220	220	o.r.
4-pole: $n_{sync} = 1500$ rpm at 50 Hz																		
1380	1SQ7 453-4PA90-0C.0	1486	87	95.0	95.8	96.2	96.1	0.87	0.87	0.84	0.77	8868	2.35	0.55	5.2	23	290	o.r.
1350	1SQ7 453-4PA90-0A.0	1483	85	94.8	95.6	96.1	96.1	0.87	0.87	0.85	0.78	8693	2.30	0.65	5.5	17	310	o.r.

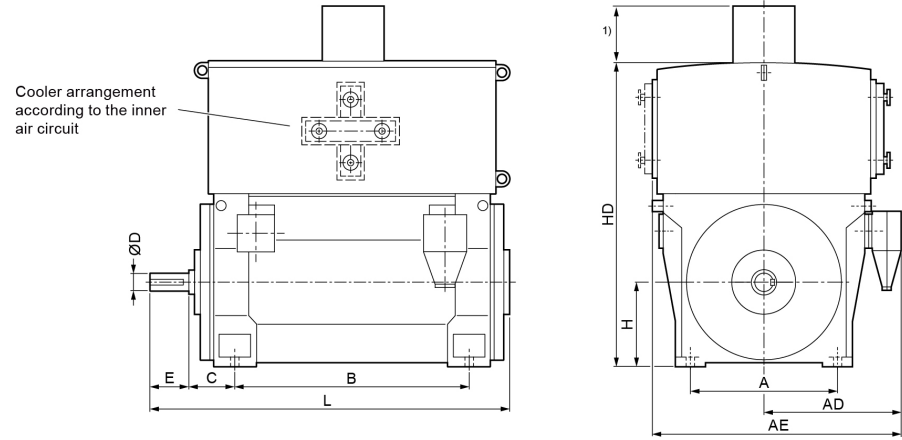
Innomotics HV M - 1SQ. IC86W 11000 V / 50 Hz B3 (IM 1001)																		
Rated power IEC	Article No.	Speed	Rated current I_R	Efficiency				Power factor				Torque T_R	Breakdown torque T_B/ T_R	Locked rotor torque T_{LR}/ T_R	Locked rotor current I_{LR}/ I_R	Inertia		
				5/4 load	4/4 load	3/4 load	2/4 load	5/4 load	4/4 load	3/4 load	2/4 load					motor	external	Startup max T/TR
kW		rpm	A	%	%	%	%	cos φ	cos φ	cos φ	cos φ	Nm	[-]	[-]	[-]	kgm ²	kgm ²	[-]
1430	1SQ7 454-4PA90-0A.0	1485	89	95.0	95.8	96.1	96.1	0.88	0.88	0.84	0.76	9196	2.60	0.80	6.0	19	315	o.r.
1480	1SQ7 454-4PA90-0C.0	1486	92	95.2	95.9	96.3	96.3	0.88	0.88	0.86	0.79	9511	2.35	0.55	5.3	25	300	o.r.
1650	1SQ7 457-4PA90-0A.0	1486	102	95.5	96.1	96.4	96.3	0.88	0.88	0.84	0.76	10603	2.85	0.90	6.5	22	430	o.r.
1750	1SQ7 457-4PA90-0C.0	1488	108	95.6	96.3	96.5	96.5	0.88	0.89	0.86	0.80	11231	2.55	0.60	5.8	30	380	o.r.
1830	1SQ7 458-4PA90-0A.0	1486	114	95.6	96.2	96.5	96.3	0.88	0.88	0.83	0.74	11760	2.95	0.95	6.5	24	450	o.r.
1900	1SQ7 458-4PA90-0C.0	1489	116	95.8	96.4	96.6	96.5	0.88	0.89	0.85	0.78	12185	2.70	0.65	6.0	32	430	o.r.
2100	1SQ7 503-4PA90-0A.0	1486	128	95.7	96.4	96.9	97.0	0.88	0.90	0.88	0.85	13495	2.30	0.80	5.2	37	450	o.r.
2150	1SQ7 503-4PA90-0C.0	1487	132	95.8	96.5	97.0	97.0	0.88	0.89	0.89	0.86	13807	2.25	0.60	4.7	45	565	o.r.
2450	1SQ7 504-4PA90-0A.0	1488	152	96.1	96.6	96.9	96.8	0.88	0.88	0.85	0.77	15723	2.70	0.95	6.0	40	605	o.r.
2450	1SQ7 504-4PA90-0C.0	1489	152	96.2	96.7	97.0	96.7	0.86	0.87	0.84	0.77	15712	2.40	0.55	4.9	49	695	o.r.
2600	1SQ7 507-4PA90-0A.0	1485	156	95.9	96.6	97.1	97.2	0.89	0.90	0.89	0.87	16719	2.25	0.80	5.2	46	505	o.r.
2630	1SQ7 507-4PA90-0C.0	1488	158	96.1	96.8	97.2	97.2	0.88	0.90	0.90	0.87	16878	2.30	0.60	4.8	56	770	o.r.
2850	1SQ7 508-4PA90-0A.0	1487	172	96.2	96.7	97.2	97.2	0.89	0.90	0.89	0.85	18302	2.50	0.90	5.7	50	615	o.r.
2850	1SQ7 508-4PA90-0C.0	1489	172	96.3	96.9	97.2	97.2	0.89	0.90	0.89	0.86	18278	2.40	0.65	5.2	62	740	o.r.
3180	1SQ7 562-4PA90-0C.0	1496	196	96.2	96.7	97.2	97.2	0.86	0.88	0.87	0.84	20299	2.00	0.60	4.8	74	815	o.r.
3500	1SQ7 563-4PA90-0C.0	1489	216	96.2	96.8	97.2	97.3	0.86	0.88	0.88	0.85	22446	2.00	0.60	4.9	80	840	o.r.
3900	1SQ7 564-4PA90-0C.0	1490	237	96.4	96.9	97.4	97.4	0.87	0.89	0.89	0.87	24995	2.10	0.60	5.0	90	935	o.r.
4400	1SQ7 566-4PA90-0C.0	1489	268	96.5	97.0	97.5	97.6	0.88	0.89	0.90	0.88	28218	2.05	0.60	4.9	100	1020	o.r.
4800	1SQ7 567-4PA90-0C.0	1490	288	96.6	97.1	97.6	97.6	0.88	0.90	0.90	0.88	30763	2.10	0.65	5.1	110	1115	o.r.
5200	1SQ7 568-4PA90-0C.0	1491	312	96.8	97.3	97.6	97.7	0.89	0.90	0.90	0.88	33304	2.25	0.70	5.5	119	1185	o.r.
5900	1SQ8 633-4PA90-0C.0	1490	360	96.8	97.3	97.5	97.4	0.87	0.89	0.88	0.85	37813	2.15	0.50	5.2	151	740	o.r.
6400	1SQ8 634-4PA90-0C.0	1491	390	96.8	97.3	97.5	97.3	0.88	0.89	0.88	0.85	40990	2.25	0.50	5.5	166	860	o.r.
7200	1SQ8 637-4PA90-0C.0	1491	430	97.0	97.4	97.6	97.5	0.88	0.90	0.89	0.85	46113	2.35	0.60	5.6	182	860	o.r.
8200	1SQ8 638-4PA90-0C.0	1491	495	97.1	97.5	97.7	97.5	0.88	0.89	0.88	0.85	52518	2.35	0.60	5.6	198	900	o.r.
8600	1SQ8 712-4PA90-0C.0	1491	520	97.0	97.4	97.6	97.4	0.88	0.89	0.88	0.85	55080	2.35	0.50	5.6	259	870	o.r.
9300	1SQ8 713-4PA90-0C.0	1492	560	97.1	97.5	97.7	97.5	0.89	0.90	0.89	0.86	59523	2.40	0.50	5.7	284	960	o.r.
10000	1SQ8 714-4PA90-0C.0	1492	600	97.2	97.6	97.7	97.6	0.89	0.90	0.89	0.85	64003	2.55	0.55	6.0	312	1080	o.r.
11500	1SQ8 717-4PA90-0C.0	1492	690	97.3	97.7	97.8	97.6	0.90	0.90	0.89	0.85	73604	2.60	0.55	6.0	346	1100	o.r.
11900	1SQ8 718-4PA90-0C.0	1493	710	97.4	97.7	97.8	97.6	0.89	0.90	0.89	0.85	76113	2.60	0.55	6.0	364	1240	o.r.
6-pole: n_{sync} = 1000 rpm at 50 Hz																		
930	1SQ7 452-6PA90-0A.0	990	62	94.1	95.1	95.5	95.6	0.83	0.83	0.79	0.68	8971	2.35	0.85	5.5	20	325	o.r.
1050	1SQ7 453-6PA90-0A.0	991	70	94.4	95.2	95.6	95.5	0.83	0.83	0.76	0.64	10118	2.50	0.85	5.5	22	410	o.r.
1100	1SQ7 453-6PA90-0C.0	990	71	94.3	95.2	95.7	95.8	0.84	0.85	0.81	0.73	10610	2.35	0.70	5.5	30	510	o.r.
1160	1SQ7 454-6PA90-0A.0	991	77	94.6	95.4	95.8	95.7	0.84	0.83	0.77	0.66	11178	2.50	0.85	5.5	24	465	o.r.
1200	1SQ7 454-6PA90-0C.0	990	78	94.5	95.4	95.9	96.0	0.85	0.85	0.82	0.74	11575	2.35	0.70	5.4	33	600	o.r.
1290	1SQ7 457-6PA90-0A.0	991	84	94.8	95.6	96.0	96.0	0.84	0.84	0.80	0.70	12430	2.50	0.85	5.5	28	535	o.r.
1300	1SQ7 457-6PA90-0C.0	990	83	94.8	95.6	96.1	96.2	0.86	0.86	0.83	0.76	12539	2.40	0.70	5.5	36	745	o.r.

Innomotics HV M - 1SQ. IC86W 11000 V / 50 Hz B3 (IM 1001)																		
Rated power IEC	Article No.	Speed	Rated current I_R	Efficiency				Power factor				Torque T_R	Breakdown torque T_B/ T_R	Locked rotor torque T_{LR}/ T_R	Locked rotor current I_{LR}/ I_R	Inertia		
				5/4 load	4/4 load	3/4 load	2/4 load	5/4 load	4/4 load	3/4 load	2/4 load					motor	external	Startup max T/TR
kW		rpm	A	%	%	%	%	cos φ	cos φ	cos φ	cos φ	Nm	[-]	[-]	[-]	kgm ²	kgm ²	[-]
1400	1SQ7 458-6PA90-0A.0	991	89	95.0	95.8	96.2	96.2	0.85	0.86	0.81	0.72	13490	2.50	0.90	5.7	31	610	o.r.
1420	1SQ7 458-6PA90-0C.0	991	89	95.0	95.8	96.2	96.3	0.86	0.87	0.84	0.77	13683	2.45	0.70	5.5	41	805	o.r.
1650	1SQ7 502-6PA90-0C.0	992	106	95.4	96.2	96.6	96.6	0.84	0.85	0.83	0.76	15883	2.25	0.70	4.6	54	930	o.r.
1550	1SQ7 502-6PA90-0A.0	991	99	95.1	95.9	96.4	96.5	0.85	0.86	0.83	0.75	14936	2.20	0.90	4.7	42	630	o.r.
1850	1SQ7 503-6PA90-0C.0	992	118	95.6	96.3	96.7	96.7	0.84	0.86	0.83	0.76	17809	2.30	0.75	4.7	60	1100	o.r.
1700	1SQ7 503-6PA90-0A.0	991	108	95.2	96.0	96.5	96.7	0.85	0.86	0.84	0.77	16381	2.25	0.90	4.8	46	730	o.r.
1850	1SQ7 504-6PA90-0A.0	991	118	95.5	96.2	96.6	96.7	0.85	0.86	0.83	0.75	17827	2.35	0.95	5.0	51	850	o.r.
2000	1SQ7 504-6PA90-0C.0	992	126	95.8	96.4	96.8	96.8	0.85	0.86	0.83	0.76	19253	2.35	0.70	4.8	66	1300	o.r.
2240	1SQ7 507-6PA90-0C.0	993	144	96.0	96.6	96.9	96.9	0.84	0.85	0.82	0.74	21541	2.40	0.70	4.8	74	1550	o.r.
2000	1SQ7 507-6PA90-0A.0	992	126	95.7	96.4	96.7	96.8	0.86	0.86	0.83	0.74	19253	2.50	1.05	5.3	58	1000	o.r.
2240	1SQ7 508-6PA90-0A.0	992	144	95.9	96.5	96.8	96.7	0.85	0.85	0.80	0.69	21563	2.70	1.10	5.7	63	1180	o.r.
2500	1SQ7 561-6PA90-0C.0	992	160	95.7	96.3	96.6	96.5	0.84	0.85	0.84	0.78	24066	2.30	0.60	5.1	96	1060	o.r.
2900	1SQ7 562-6PA90-0C.0	993	188	96.0	96.6	96.7	96.6	0.84	0.84	0.82	0.75	27888	2.40	0.65	5.3	105	1370	o.r.
3150	1SQ7 563-6PA90-0C.0	993	200	96.1	96.6	96.8	96.7	0.84	0.85	0.83	0.75	30292	2.45	0.65	5.3	112	1280	o.r.
3550	1SQ7 567-6PA90-0C.0	994	225	96.4	96.8	96.9	96.8	0.85	0.86	0.83	0.76	34105	2.60	0.70	5.7	134	1630	o.r.
3850	1SQ7 568-6PA90-0C.0	994	240	96.5	97.0	97.1	96.9	0.86	0.86	0.84	0.78	36987	2.60	0.70	5.8	150	1890	o.r.
4450	1SQ8 632-6PA90-0C.0	992	280	96.3	96.8	97.1	96.9	0.85	0.86	0.83	0.75	42837	2.30	0.60	5.2	193	2370	o.r.
4650	1SQ8 633-6PA90-0C.0	992	295	96.4	96.9	97.2	96.9	0.85	0.86	0.83	0.75	44762	2.30	0.55	5.3	209	2660	o.r.
5200	1SQ8 634-6PA90-0C.0	992	325	96.5	97.0	97.3	97.1	0.85	0.87	0.84	0.78	50057	2.20	0.55	5.1	227	2800	o.r.
5600	1SQ8 637-6PA90-0C.0	992	350	96.5	97.0	97.3	97.2	0.85	0.87	0.85	0.78	53907	2.20	0.56	5.2	247	3110	o.r.
6100	1SQ8 638-6PA90-0C.0	992	380	96.6	97.1	97.4	97.2	0.86	0.87	0.85	0.78	58720	2.25	0.55	5.2	265	3300	o.r.
6600	1SQ8 712-6PA90-0C.0	993	410	96.8	97.3	97.5	97.4	0.85	0.87	0.85	0.79	63470	2.20	0.55	5.2	331	2710	o.r.
7250	1SQ8 713-6PA90-0C.0	994	450	97.0	97.4	97.6	97.5	0.86	0.87	0.85	0.79	69650	2.35	0.60	5.5	374	3180	o.r.
8250	1SQ8 714-6PA90-0C.0	994	500	97.1	97.5	97.7	97.5	0.87	0.88	0.85	0.79	79257	2.40	0.60	5.5	424	3530	o.r.
9350	1SQ8 717-6PA90-0C.0	994	570	97.1	97.6	97.8	97.6	0.87	0.88	0.86	0.80	89825	2.35	0.55	5.5	478	3930	o.r.
10400	1SQ8 718-6PA90-0C.0	995	640	97.3	97.6	97.8	97.6	0.86	0.87	0.84	0.76	99812	2.45	0.55	5.5	522	4410	o.r.
8-pole: n _{sync} = 750 rpm at 50 Hz																		
580	1SQ7 451-8PA90-0A.0	743	43	93.5	94.4	94.5	94.0	0.78	0.75	0.66	0.49	7454	2.50	0.80	5.5	23	500	o.r.
620	1SQ7 451-8PA90-0C.0	743	44	93.5	94.5	94.8	94.4	0.81	0.79	0.71	0.56	7968	2.70	0.75	5.5	30	560	o.r.
680	1SQ7 452-8PA90-0A.0	743	48	93.5	94.6	94.9	94.7	0.80	0.78	0.71	0.56	8740	2.50	0.80	5.5	25	510	o.r.
700	1SQ7 452-8PA90-0C.0	743	48	93.6	94.7	95.1	94.9	0.82	0.80	0.74	0.60	8997	2.60	0.70	5.5	32	630	o.r.
800	1SQ7 453-8PA90-0A.0	743	57	94.0	94.9	95.2	94.9	0.79	0.78	0.69	0.53	10282	2.50	0.85	5.5	28	730	o.r.
800	1SQ7 453-8PA90-0C.0	743	55	94.2	95.1	95.4	95.1	0.81	0.80	0.72	0.57	10282	2.70	0.75	5.5	36	1000	o.r.
860	1SQ7 454-8PA90-0A.0	743	60	94.2	95.1	95.4	95.2	0.81	0.79	0.72	0.57	11053	2.45	0.85	5.5	31	800	o.r.
880	1SQ7 454-8PA90-0C.0	743	60	94.3	95.2	95.5	95.4	0.82	0.81	0.75	0.61	11310	2.70	0.75	5.5	40	1000	o.r.
940	1SQ7 457-8PA90-0A.0	743	65	94.3	95.2	95.6	95.5	0.82	0.80	0.74	0.61	12081	2.40	0.85	5.5	35	920	o.r.
950	1SQ7 457-8PA90-0C.0	743	64	94.4	95.3	95.7	95.5	0.83	0.82	0.76	0.63	12210	2.70	0.75	5.5	45	1200	o.r.

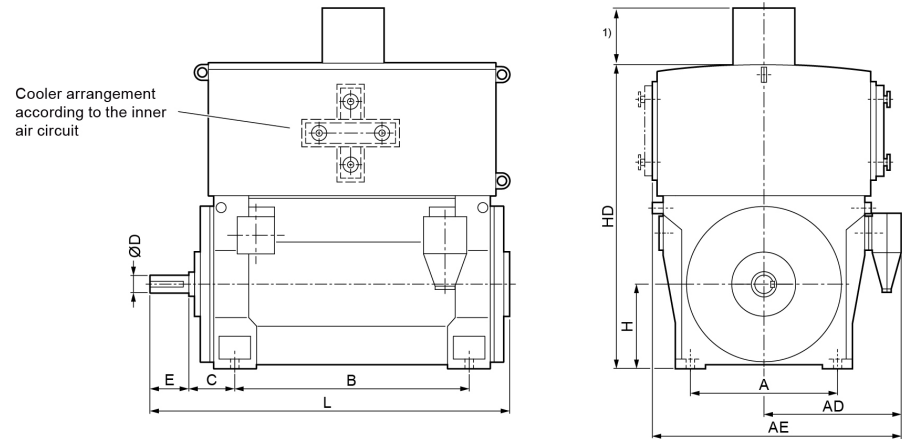
Innomotics HV M - 1SQ. IC86W 11000 V / 50 Hz B3 (IM 1001)																		
Rated power IEC	Article No.	Speed	Rated current I_R	Efficiency				Power factor				Torque T_R	Breakdown torque T_B/ T_R	Locked rotor torque T_{LR}/ T_R	Locked rotor current I_{LR}/ I_R	Inertia		
				5/4 load	4/4 load	3/4 load	2/4 load	5/4 load	4/4 load	3/4 load	2/4 load					motor	external	Startup max T/TR
kW		rpm	A	%	%	%	%	$\cos \varphi$	$\cos \varphi$	$\cos \varphi$	$\cos \varphi$	Nm	[-]	[-]	[-]	kgm ²	kgm ²	[-]
1020	1SQ7 458-8PA90-0A.0	743	69	94.4	95.4	95.7	95.6	0.82	0.81	0.75	0.61	13109	2.40	0.85	5.5	39	1050	o.r.
1030	1SQ7 458-8PA90-0C.0	743	69	94.6	95.5	95.8	95.6	0.83	0.82	0.76	0.64	13238	2.75	0.80	5.6	50	1350	o.r.
1120	1SQ7 502-8PA90-0A.0	744	77	95.1	95.7	96.2	96.2	0.81	0.80	0.78	0.69	14375	2.25	0.80	4.5	46	1370	o.r.
1200	1SQ7 502-8PA90-0C.0	743	81	95.0	95.7	96.2	96.2	0.82	0.81	0.78	0.70	15423	2.25	0.60	4.2	59	2010	o.r.
1220	1SQ7 503-8PA90-0A.0	743	81	95.1	95.8	96.3	96.4	0.82	0.83	0.79	0.71	15680	2.15	0.75	4.4	51	1440	o.r.
1360	1SQ7 503-8PA90-0C.0	743	90	95.0	95.8	96.3	96.4	0.82	0.83	0.80	0.72	17479	2.15	0.55	4.0	65	1910	o.r.
1480	1SQ7 504-8PA90-0A.0	743	99	95.2	96.0	96.4	96.5	0.82	0.82	0.79	0.70	19021	2.15	0.80	4.3	56	1760	o.r.
1500	1SQ7 504-8PA90-0C.0	743	99	95.2	96.0	96.5	96.6	0.82	0.83	0.80	0.73	19279	2.15	0.55	4.1	72	2190	o.r.
1640	1SQ7 507-8PA90-0A.0	743	108	95.4	96.1	96.5	96.6	0.82	0.83	0.79	0.71	21078	2.15	0.80	4.4	63	2030	o.r.
1700	1SQ7 507-8PA90-0C.0	743	110	95.3	96.1	96.6	96.7	0.82	0.84	0.81	0.73	21849	2.15	0.60	4.1	80	2360	o.r.
1780	1SQ7 508-8PA90-0A.0	744	118	95.6	96.2	96.5	96.5	0.82	0.82	0.77	0.68	22846	2.30	0.90	4.7	69	2270	o.r.
1820	1SQ7 508-8PA90-0C.0	743	120	95.6	96.2	96.6	96.6	0.83	0.83	0.80	0.71	23391	2.35	0.65	4.4	88	2710	o.r.
2000	1SQ7 563-8PA90-0C.0	744	134	95.5	96.0	96.5	96.3	0.82	0.82	0.80	0.73	25670	2.10	0.60	4.6	124	2685	o.r.
2240	1SQ7 564-8PA90-0C.0	744	150	95.6	96.1	96.5	96.3	0.82	0.82	0.80	0.72	28751	2.20	0.60	4.8	137	2725	o.r.
2500	1SQ7 567-8PA90-0C.0	744	164	95.8	96.3	96.8	96.6	0.82	0.83	0.81	0.75	32088	2.05	0.60	4.5	150	3865	o.r.
2800	1SQ7 568-8PA90-0C.0	744	184	95.9	96.4	96.9	96.7	0.82	0.83	0.81	0.75	35938	2.05	0.55	4.5	165	5105	o.r.
3100	1SQ8 633-8PA90-0C.0	743	200	95.4	96.1	96.3	96.1	0.84	0.85	0.81	0.74	39842	2.00	0.45	4.5	216	2690	o.r.
3500	1SQ8 634-8PA90-0C.0	744	225	95.6	96.2	96.4	96.1	0.85	0.85	0.81	0.73	44923	2.10	0.50	4.5	251	2830	o.r.
4000	1SQ8 637-8PA90-0C.0	744	255	96.0	96.5	96.5	96.2	0.85	0.85	0.81	0.72	51340	2.30	0.50	5.0	292	5000	o.r.
4250	1SQ8 638-8PA90-0C.0	744	270	96.2	96.6	96.7	96.3	0.86	0.86	0.81	0.72	54549	2.40	0.55	5.2	326	6200	o.r.
4300	1SQ8 712-8PA90-0C.0	746	275	96.2	96.6	96.6	96.2	0.86	0.85	0.80	0.69	55043	2.60	0.60	5.5	422	2890	o.r.
4850	1SQ8 713-8PA90-0C.0	746	310	96.4	96.7	96.7	96.2	0.86	0.85	0.79	0.68	62083	2.55	0.60	5.4	471	3510	o.r.
5550	1SQ8 714-8PA90-0C.0	746	355	96.5	96.8	96.8	96.3	0.86	0.85	0.79	0.68	71044	2.60	0.60	5.5	538	3900	o.r.
6500	1SQ8 717-8PA90-0C.0	746	415	96.7	97.0	96.9	96.5	0.86	0.85	0.79	0.69	83204	2.60	0.50	5.5	615	5400	o.r.
6700	1SQ8 718-8PA90-0C.0	746	430	96.8	97.1	96.9	96.4	0.85	0.84	0.78	0.67	85764	2.60	0.50	5.4	674	6570	o.r.



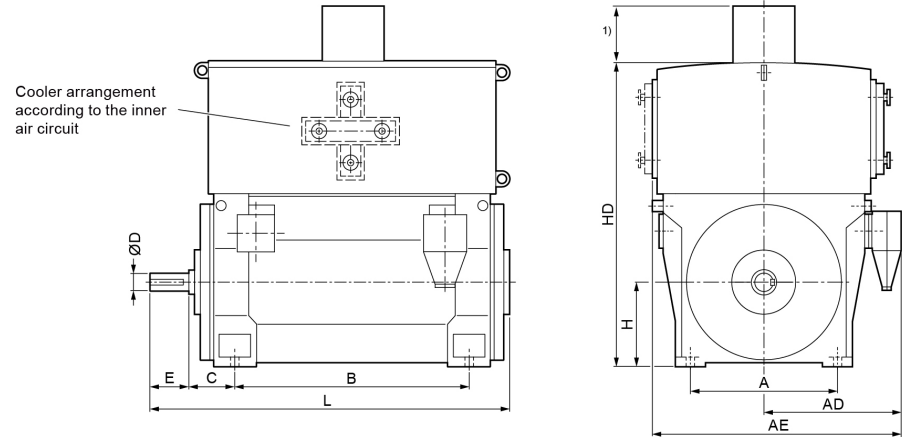
Motor type	Weight	Dimensions										
		A	AD	AE	B	C	D	E	H	HD	L	ML
	kg	mm	mm	mm	mm	mm	mm	mm	mm	mm	mm	mm
Innomotics HV M - 1SQ. IC86W 11000 V / 50 Hz B3 (IM 1001) - Dimension drawings												
2-pole												
1SQ7 452-2PA90-0AA0	4300	850	1140	1760	1180	250	95	130	450	2350	1790	o.r.
1SQ7 452-2PA90-0AC0	4150	850	1140	1760	1180	475	95	130	450	2350	2010	o.r.
1SQ7 453-2PA90-0AA0	4400	850	1140	1760	1180	250	95	130	450	2350	1790	o.r.
1SQ7 453-2PA90-0AC0	4300	850	1140	1760	1180	475	95	130	450	2350	2010	o.r.
1SQ7 453-2PA90-0CA0	4550	850	1140	1760	1180	250	95	130	450	2350	1790	o.r.
1SQ7 453-2PA90-0CC0	4450	850	1140	1760	1180	475	95	130	450	2350	2010	o.r.
1SQ7 454-2PA90-0AA0	4500	850	1140	1760	1180	250	95	130	450	2350	1790	o.r.
1SQ7 454-2PA90-0AC0	4400	850	1140	1760	1180	475	95	130	450	2350	2010	o.r.
1SQ7 454-2PA90-0CA0	4650	850	1140	1760	1180	250	95	130	450	2350	1790	o.r.
1SQ7 454-2PA90-0CC0	4550	850	1140	1760	1180	475	95	130	450	2350	2010	o.r.
1SQ7 457-2PA90-0AA0	4900	850	1140	1760	1400	250	95	130	450	2350	2000	o.r.
1SQ7 457-2PA90-0AC0	4800	850	1140	1760	1400	475	95	130	450	2350	2220	o.r.
1SQ7 457-2PA90-0CA0	5050	850	1140	1760	1400	250	95	130	450	2350	2000	o.r.
1SQ7 457-2PA90-0CC0	4950	850	1140	1760	1400	475	95	130	450	2350	2220	o.r.
1SQ7 458-2PA90-0AA0	5100	850	1140	1760	1400	250	95	130	450	2350	2000	o.r.
1SQ7 458-2PA90-0AC0	5000	850	1140	1760	1400	475	95	130	450	2350	2220	o.r.
1SQ7 458-2PA90-0CA0	5250	850	1140	1760	1400	250	95	130	450	2350	2000	o.r.
1SQ7 458-2PA90-0CC0	5150	850	1140	1760	1400	475	95	130	450	2350	2220	o.r.
1SQ7 503-2PA90-0CA0	6000	950	1220	1920	1320	250	110	165	500	2640	2000	o.r.
1SQ7 503-2PA90-0CC0	5950	950	1220	1920	1320	530	120	165	500	2640	2280	o.r.
1SQ7 503-2PA90-0AA0	5850	950	1220	1920	1320	250	110	165	500	2640	2000	o.r.
1SQ7 503-2PA90-0AC0	5800	950	1220	1920	1320	530	120	165	500	2640	2280	o.r.



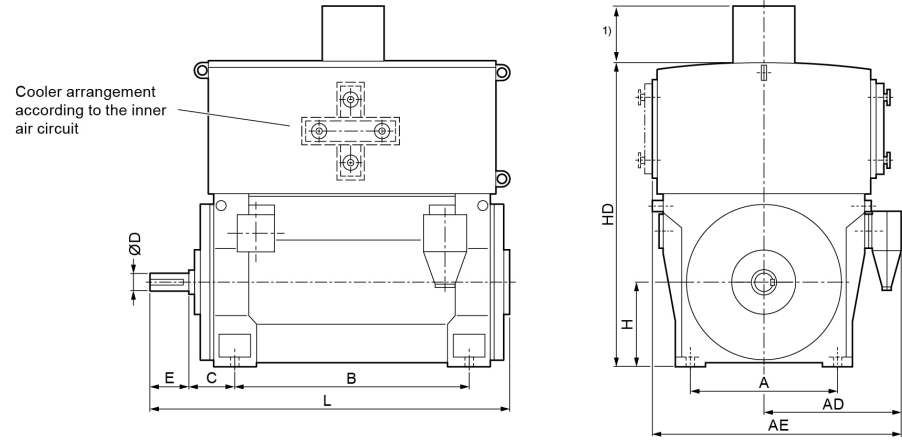
Motor type	Weight	Dimensions											
		A	AD	AE	B	C	D	E	H	HD	L	ML	
	kg	mm	mm	mm	mm	mm	mm	mm	mm	mm	mm	mm	mm
Innomotics HV M - 1SQ. IC86W 11000 V / 50 Hz B3 (IM 1001) - Dimension drawings													
1SQ7 504-2PA90-0CA0	6100	950	1220	1920	1320	250	110	165	500	2640	2000	o.r.	
1SQ7 504-2PA90-0CC0	6050	950	1220	1920	1320	530	120	165	500	2640	2280	o.r.	
1SQ7 504-2PA90-0AA0	5950	950	1220	1920	1320	250	110	165	500	2640	2000	o.r.	
1SQ7 504-2PA90-0AC0	5900	950	1220	1920	1320	530	120	165	500	2640	2280	o.r.	
1SQ7 507-2PA90-0CA0	6800	950	1220	1920	1500	250	110	165	500	2640	2210	o.r.	
1SQ7 507-2PA90-0CC0	6700	950	1220	1920	1500	530	120	165	500	2640	2490	o.r.	
1SQ7 507-2PA90-0AA0	6600	950	1220	1920	1500	250	110	165	500	2640	2210	o.r.	
1SQ7 507-2PA90-0AC0	6550	950	1220	1920	1500	530	120	165	500	2640	2490	o.r.	
1SQ7 508-2PA90-0CA0	7150	950	1220	1920	1500	250	110	165	500	2640	2210	o.r.	
1SQ7 508-2PA90-0CC0	7050	950	1220	1920	1500	530	120	165	500	2640	2490	o.r.	
1SQ7 508-2PA90-0AA0	6950	950	1220	1920	1500	250	110	165	500	2640	2210	o.r.	
1SQ7 508-2PA90-0AC0	6850	950	1220	1920	1500	530	120	165	500	2640	2490	o.r.	
1SQ7 562-2PA90-0CC0	7950	1060	1290	2060	1400	600	150	200	560	2830	2530	o.r.	
1SQ7 563-2PA90-0CC0	8200	1060	1290	2060	1400	600	150	200	560	2830	2530	o.r.	
1SQ7 564-2PA90-0CC0	8400	1060	1290	2060	1400	600	150	200	560	2830	2530	o.r.	
1SQ7 567-2PA90-0CC0	9250	1060	1290	2060	1600	600	150	200	560	2830	2760	o.r.	
1SQ7 568-2PA90-0CC0	9750	1060	1290	2060	1600	600	150	200	560	2830	2760	o.r.	
1SQ8 632-2PA90-0CJ0	9450	1320	1520	2520	1600	560	160	240	630	3090	2760	o.r.	
1SQ8 633-2PA90-0CJ0	9950	1320	1520	2520	1600	560	160	240	630	3090	2760	o.r.	
1SQ8 634-2PA90-0CJ0	10350	1320	1520	2520	1600	560	160	240	630	3090	2760	o.r.	
1SQ8 637-2PA90-0CJ0	11250	1320	1520	2520	1800	560	160	240	630	3090	2960	o.r.	
1SQ8 638-2PA90-0CJ0	11850	1320	1520	2520	1800	560	160	240	630	3090	2960	o.r.	
1SQ8 712-2PA90-0CJ0	13400	1500	1620	2720	2000	560	180	240	710	3360	3150	o.r.	



Motor type	Weight	Dimensions										
		A	AD	AE	B	C	D	E	H	HD	L	ML
	kg	mm	mm	mm	mm	mm	mm	mm	mm	mm	mm	mm
Innomotics HV M - 1SQ. IC86W 11000 V / 50 Hz B3 (IM 1001) - Dimension drawings												
1SQ8 713-2PA90-0CJ0	13900	1500	1620	2720	2000	560	180	240	710	3360	3150	o.r.
1SQ8 714-2PA90-0CJ0	14550	1500	1620	2720	2000	560	180	240	710	3360	3150	o.r.
1SQ8 716-2PA90-0CJ0	15550	1500	1620	2720	2240	560	180	240	710	3360	3390	o.r.
1SQ8 717-2PA90-0CJ0	16350	1500	1620	2720	2240	560	180	240	710	3360	3390	o.r.
1SQ8 718-2PA90-0CJ0	17650	1500	1620	2720	2240	560	180	240	710	3360	3390	o.r.
4-pole												
1SQ7 453-4PA90-0CA0	4550	850	1140	1760	1180	250	130	200	450	1940	2290	o.r.
1SQ7 453-4PA90-0CC0	4600	850	1140	1760	1180	500	130	200	450	1940	2540	o.r.
1SQ7 453-4PA90-0AA0	4450	850	1140	1760	1180	250	130	200	450	1940	2290	o.r.
1SQ7 453-4PA90-0AC0	4450	850	1140	1760	1180	500	130	200	450	1940	2540	o.r.
1SQ7 454-4PA90-0AA0	4600	850	1140	1760	1180	250	130	200	450	1940	2290	o.r.
1SQ7 454-4PA90-0AC0	4600	850	1140	1760	1180	500	130	200	450	1940	2540	o.r.
1SQ7 454-4PA90-0CA0	4750	850	1140	1760	1180	250	130	200	450	1940	2290	o.r.
1SQ7 454-4PA90-0CC0	4750	850	1140	1760	1180	500	130	200	450	1940	2540	o.r.
1SQ7 457-4PA90-0AA0	5150	850	1140	1760	1400	250	130	200	450	1940	2500	o.r.
1SQ7 457-4PA90-0AC0	5200	850	1140	1760	1400	500	130	200	450	1940	2750	o.r.
1SQ7 457-4PA90-0CA0	5350	850	1140	1760	1400	250	130	200	450	1940	2500	o.r.
1SQ7 457-4PA90-0CC0	5350	850	1140	1760	1400	500	130	200	450	1940	2750	o.r.
1SQ7 458-4PA90-0AA0	5350	850	1140	1760	1400	250	130	200	450	1940	2500	o.r.
1SQ7 458-4PA90-0AC0	5400	850	1140	1760	1400	500	130	200	450	1940	2750	o.r.
1SQ7 458-4PA90-0CA0	5550	850	1140	1760	1400	250	130	200	450	1940	2500	o.r.
1SQ7 458-4PA90-0CC0	5600	850	1140	1760	1400	500	130	200	450	1940	2750	o.r.
1SQ7 503-4PA90-0AA0	6150	950	1220	1920	1320	315	160	240	500	2640	2140	o.r.

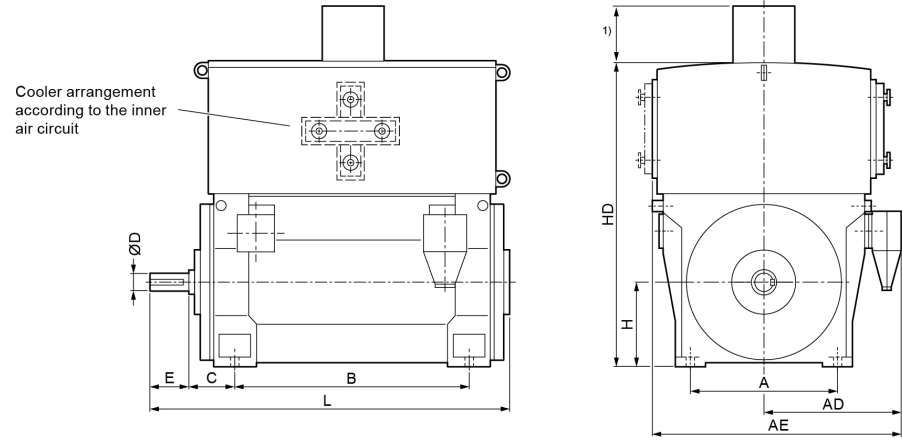


Motor type	Weight	Dimensions										
		A	AD	AE	B	C	D	E	H	HD	L	ML
	kg	mm	mm	mm	mm	mm	mm	mm	mm	mm	mm	mm
Innomotics HV M - 1SQ. IC86W 11000 V / 50 Hz B3 (IM 1001) - Dimension drawings												
1SQ7 503-4PA90-0AC0	6200	950	1220	1920	1320	560	170	240	500	2640	2380	o.r.
1SQ7 503-4PA90-0CA0	6300	950	1220	1920	1320	315	160	240	500	2640	2140	o.r.
1SQ7 503-4PA90-0CC0	6350	950	1220	1920	1320	560	170	240	500	2640	2380	o.r.
1SQ7 504-4PA90-0AA0	6450	950	1220	1920	1320	315	160	240	500	2640	2140	o.r.
1SQ7 504-4PA90-0AC0	6500	950	1220	1920	1320	560	170	240	500	2640	2380	o.r.
1SQ7 504-4PA90-0CA0	6550	950	1220	1920	1320	315	160	240	500	2640	2140	o.r.
1SQ7 504-4PA90-0CC0	6650	950	1220	1920	1320	560	170	240	500	2640	2380	o.r.
1SQ7 507-4PA90-0AA0	7050	950	1220	1920	1500	315	160	240	500	2640	2350	o.r.
1SQ7 507-4PA90-0AC0	7150	950	1220	1920	1500	560	170	240	500	2640	2590	o.r.
1SQ7 507-4PA90-0CA0	7250	950	1220	1920	1500	315	160	240	500	2640	2350	o.r.
1SQ7 507-4PA90-0CC0	7300	950	1220	1920	1500	560	170	240	500	2640	2590	o.r.
1SQ7 508-4PA90-0AA0	7350	950	1220	1920	1500	315	160	240	500	2640	2350	o.r.
1SQ7 508-4PA90-0AC0	7450	950	1220	1920	1500	560	170	240	500	2640	2590	o.r.
1SQ7 508-4PA90-0CA0	7550	950	1220	1920	1500	315	160	240	500	2640	2350	o.r.
1SQ7 508-4PA90-0CC0	7650	950	1220	1920	1500	560	170	240	500	2640	2590	o.r.
1SQ7 562-4PA90-0CA0	8050	1060	1290	2060	1400	335	190	280	560	2830	2340	o.r.
1SQ7 562-4PA90-0CC0	8100	1060	1290	2060	1400	600	190	280	560	2830	2610	o.r.
1SQ7 563-4PA90-0CA0	8250	1060	1290	2060	1400	335	190	280	560	2830	2340	o.r.
1SQ7 563-4PA90-0CC0	8300	1060	1290	2060	1400	600	190	280	560	2830	2610	o.r.
1SQ7 564-4PA90-0CA0	8700	1060	1290	2060	1400	335	190	280	560	2830	2340	o.r.
1SQ7 564-4PA90-0CC0	8750	1060	1290	2060	1400	600	190	280	560	2830	2610	o.r.
1SQ7 566-4PA90-0CA0	9500	1060	1290	2060	1600	335	190	280	560	2830	2570	o.r.
1SQ7 566-4PA90-0CC0	9600	1060	1290	2060	1600	600	190	280	560	2830	2840	o.r.

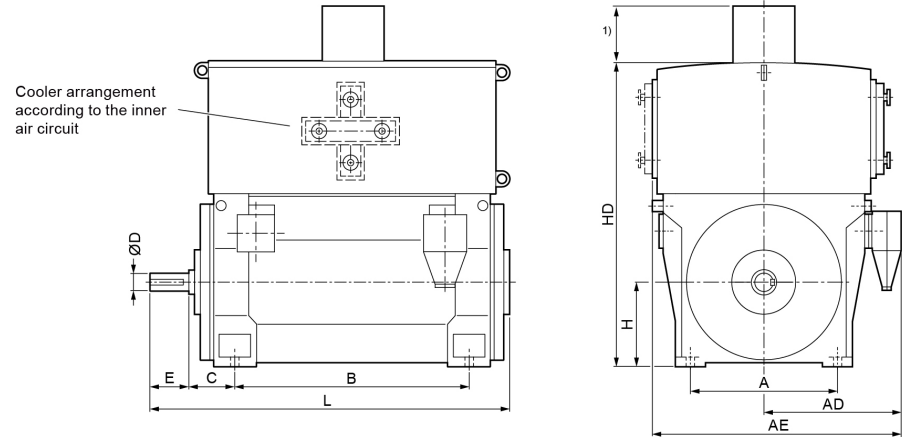


Motor type	Weight	Dimensions										
		A	AD	AE	B	C	D	E	H	HD	L	ML
	kg	mm	mm	mm	mm	mm	mm	mm	mm	mm	mm	mm
Innomotics HV M - 1SQ. IC86W 11000 V / 50 Hz B3 (IM 1001) - Dimension drawings												
1SQ7 567-4PA90-0CA0	9950	1060	1290	2060	1600	335	190	280	560	2830	2570	o.r.
1SQ7 567-4PA90-0CC0	10000	1060	1290	2060	1600	600	190	280	560	2830	2840	o.r.
1SQ7 568-4PA90-0CA0	10400	1060	1290	2060	1600	335	190	280	560	2830	2570	o.r.
1SQ7 568-4PA90-0CC0	10450	1060	1290	2060	1600	600	190	280	560	2830	2840	o.r.
1SQ8 633-4PA90-0CG0	10700	1320	1520	2520	1600	375	200	280	630	3090	2620	o.r.
1SQ8 633-4PA90-0CJ0	10800	1320	1520	2520	1600	630	200	280	630	3090	2870	o.r.
1SQ8 634-4PA90-0CG0	11100	1320	1520	2520	1600	375	200	280	630	3090	2620	o.r.
1SQ8 634-4PA90-0CJ0	11200	1320	1520	2520	1600	630	200	280	630	3090	2870	o.r.
1SQ8 637-4PA90-0CG0	11950	1320	1520	2520	1800	375	200	280	630	3090	2820	o.r.
1SQ8 637-4PA90-0CJ0	12050	1320	1520	2520	1800	630	200	280	630	3090	3070	o.r.
1SQ8 638-4PA90-0CG0	12600	1320	1520	2520	1800	375	200	280	630	3090	2820	o.r.
1SQ8 638-4PA90-0CJ0	12700	1320	1520	2520	1800	630	200	280	630	3090	3070	o.r.
1SQ8 712-4PA90-0CG0	14400	1500	1620	2720	2000	375	220	280	710	3360	3010	o.r.
1SQ8 712-4PA90-0CJ0	14550	1500	1620	2720	2000	630	220	280	710	3360	3260	o.r.
1SQ8 713-4PA90-0CG0	15100	1500	1620	2720	2000	375	220	280	710	3360	3010	o.r.
1SQ8 713-4PA90-0CJ0	15250	1500	1620	2720	2000	630	220	280	710	3360	3260	o.r.
1SQ8 714-4PA90-0CG0	15800	1500	1620	2720	2000	375	220	280	710	3360	3010	o.r.
1SQ8 714-4PA90-0CJ0	15950	1500	1620	2720	2000	630	220	280	710	3360	3260	o.r.
1SQ8 717-4PA90-0CG0	17050	1500	1620	2720	2240	375	220	280	710	3360	3250	o.r.
1SQ8 717-4PA90-0CJ0	17150	1500	1620	2720	2240	630	220	280	710	3360	3500	o.r.
1SQ8 718-4PA90-0CG0	17550	1500	1620	2720	2240	375	220	280	710	3360	3250	o.r.
1SQ8 718-4PA90-0CJ0	17700	1500	1620	2720	2240	630	220	280	710	3360	3500	o.r.

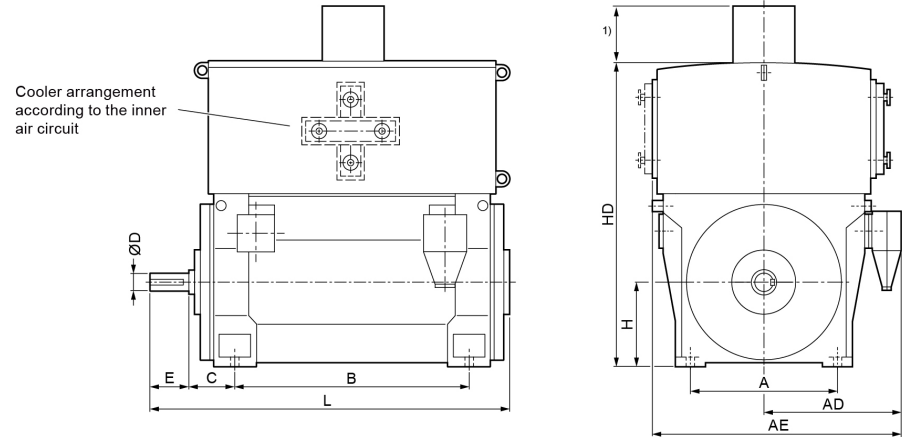
6-pole



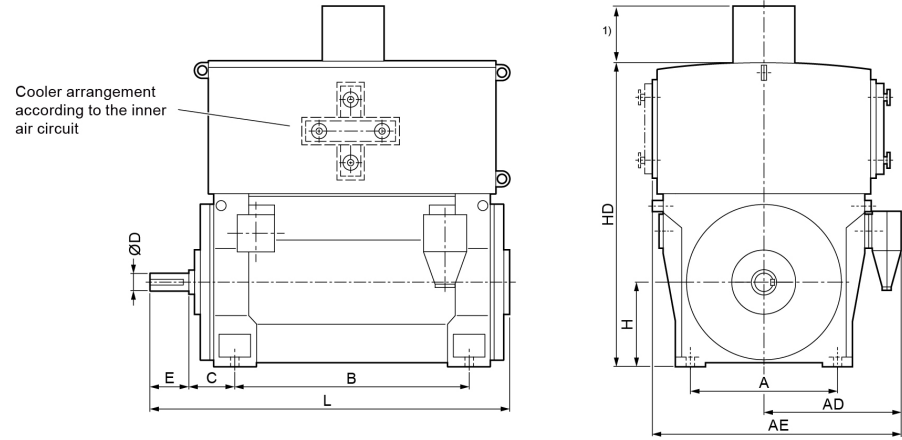
Motor type	Weight	Dimensions										
		A	AD	AE	B	C	D	E	H	HD	L	ML
	kg	mm	mm	mm	mm	mm	mm	mm	mm	mm	mm	mm
Innomotics HV M - 1SQ. IC86W 11000 V / 50 Hz B3 (IM 1001) - Dimension drawings												
1SQ7 452-6PA90-0AA0	4300	850	1140	1760	1180	250	130	200	450	1940	2290	o.r.
1SQ7 452-6PA90-0AC0	4300	850	1140	1760	1180	500	130	200	450	1940	2540	o.r.
1SQ7 453-6PA90-0AA0	4450	850	1140	1760	1180	250	130	200	450	1940	2290	o.r.
1SQ7 453-6PA90-0AC0	4450	850	1140	1760	1180	500	130	200	450	1940	2540	o.r.
1SQ7 453-6PA90-0CA0	4600	850	1140	1760	1180	250	130	200	450	1940	2290	o.r.
1SQ7 453-6PA90-0CC0	4650	850	1140	1760	1180	500	130	200	450	1940	2540	o.r.
1SQ7 454-6PA90-0AA0	4600	850	1140	1760	1180	250	130	200	450	1940	2290	o.r.
1SQ7 454-6PA90-0AC0	4650	850	1140	1760	1180	500	130	200	450	1940	2540	o.r.
1SQ7 454-6PA90-0CA0	4800	850	1140	1760	1180	250	130	200	450	1940	2290	o.r.
1SQ7 454-6PA90-0CC0	4800	850	1140	1760	1180	500	130	200	450	1940	2540	o.r.
1SQ7 457-6PA90-0AA0	5050	850	1140	1760	1400	250	130	200	450	1940	2500	o.r.
1SQ7 457-6PA90-0AC0	5100	850	1140	1760	1400	500	130	200	450	1940	2750	o.r.
1SQ7 457-6PA90-0CA0	5250	850	1140	1760	1400	250	130	200	450	1940	2500	o.r.
1SQ7 457-6PA90-0CC0	5300	850	1140	1760	1400	500	130	200	450	1940	2750	o.r.
1SQ7 458-6PA90-0AA0	5350	850	1140	1760	1400	250	130	200	450	1940	2500	o.r.
1SQ7 458-6PA90-0AC0	5400	850	1140	1760	1400	500	130	200	450	1940	2750	o.r.
1SQ7 458-6PA90-0CA0	5550	850	1140	1760	1400	250	130	200	450	1940	2500	o.r.
1SQ7 458-6PA90-0CC0	5600	850	1140	1760	1400	500	130	200	450	1940	2750	o.r.
1SQ7 502-6PA90-0CA0	6200	950	1220	1920	1320	315	160	240	500	2230	2520	o.r.
1SQ7 502-6PA90-0CC0	6250	950	1220	1920	1320	560	170	240	500	2230	2760	o.r.
1SQ7 502-6PA90-0AA0	5950	950	1220	1920	1320	315	160	240	500	2230	2520	o.r.
1SQ7 502-6PA90-0AC0	6050	950	1220	1920	1320	560	170	240	500	2230	2760	o.r.
1SQ7 503-6PA90-0CA0	6450	950	1220	1920	1320	315	160	240	500	2230	2520	o.r.



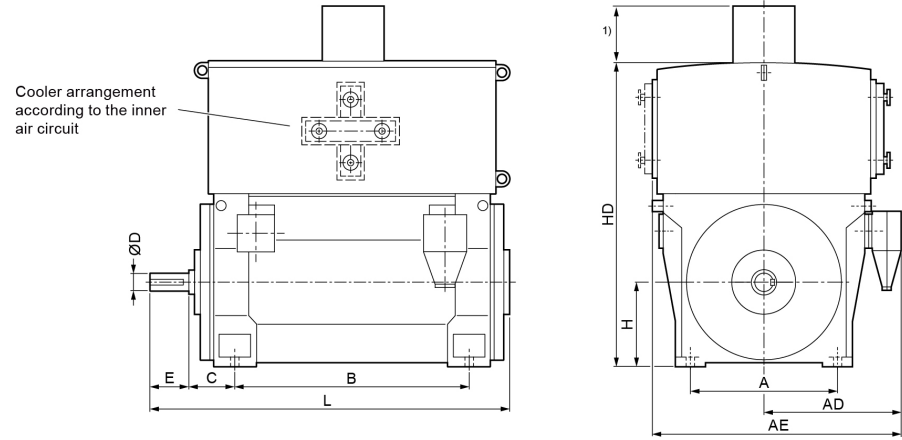
Motor type	Weight	Dimensions											
		A	AD	AE	B	C	D	E	H	HD	L	ML	
	kg	mm	mm	mm	mm	mm	mm	mm	mm	mm	mm	mm	mm
Innomotics HV M - 1SQ. IC86W 11000 V / 50 Hz B3 (IM 1001) - Dimension drawings													
1SQ7 503-6PA90-0CC0	6500	950	1220	1920	1320	560	170	240	500	2230	2760	o.r.	
1SQ7 503-6PA90-0AA0	6200	950	1220	1920	1320	315	160	240	500	2230	2520	o.r.	
1SQ7 503-6PA90-0AC0	6300	950	1220	1920	1320	560	170	240	500	2230	2760	o.r.	
1SQ7 504-6PA90-0AA0	6450	950	1220	1920	1320	315	160	240	500	2230	2520	o.r.	
1SQ7 504-6PA90-0AC0	6500	950	1220	1920	1320	560	170	240	500	2230	2760	o.r.	
1SQ7 504-6PA90-0CA0	6700	950	1220	1920	1320	315	160	240	500	2230	2520	o.r.	
1SQ7 504-6PA90-0CC0	6800	950	1220	1920	1320	560	170	240	500	2230	2760	o.r.	
1SQ7 507-6PA90-0CA0	7450	950	1220	1920	1500	315	160	240	500	2230	2730	o.r.	
1SQ7 507-6PA90-0CC0	7500	950	1220	1920	1500	560	170	240	500	2230	2970	o.r.	
1SQ7 507-6PA90-0AA0	7150	950	1220	1920	1500	315	160	240	500	2230	2730	o.r.	
1SQ7 507-6PA90-0AC0	7200	950	1220	1920	1500	560	170	240	500	2230	2970	o.r.	
1SQ7 508-6PA90-0AA0	7450	950	1220	1920	1500	315	160	240	500	2230	2730	o.r.	
1SQ7 508-6PA90-0AC0	7500	950	1220	1920	1500	560	170	240	500	2230	2970	o.r.	
1SQ7 561-6PA90-0CA0	8300	1060	1290	2060	1400	335	190	280	560	2680	2770	o.r.	
1SQ7 561-6PA90-0CC0	8350	1060	1290	2060	1400	600	190	280	560	2680	3030	o.r.	
1SQ7 562-6PA90-0CA0	8650	1060	1290	2060	1400	335	190	280	560	2680	2770	o.r.	
1SQ7 562-6PA90-0CC0	8700	1060	1290	2060	1400	600	190	280	560	2680	3030	o.r.	
1SQ7 563-6PA90-0CA0	8950	1060	1290	2060	1400	335	190	280	560	2680	2770	o.r.	
1SQ7 563-6PA90-0CC0	9000	1060	1290	2060	1400	600	190	280	560	2680	3030	o.r.	
1SQ7 567-6PA90-0CA0	10100	1060	1290	2060	1600	335	190	280	560	2680	3000	o.r.	
1SQ7 567-6PA90-0CC0	10150	1060	1290	2060	1600	600	190	280	560	2680	3260	o.r.	
1SQ7 568-6PA90-0CA0	10700	1060	1290	2060	1600	335	190	280	560	2680	3000	o.r.	
1SQ7 568-6PA90-0CC0	10750	1060	1290	2060	1600	600	190	280	560	2680	3260	o.r.	



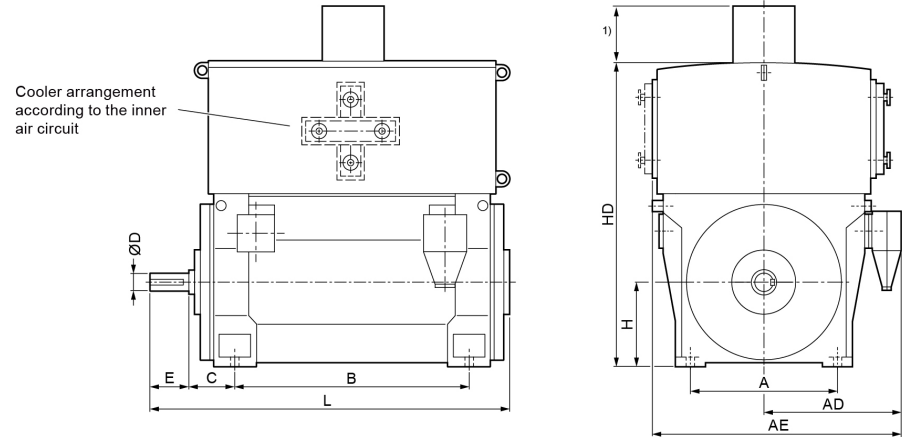
Motor type	Weight	Dimensions										
		A	AD	AE	B	C	D	E	H	HD	L	ML
	kg	mm	mm	mm	mm	mm	mm	mm	mm	mm	mm	mm
Innomotics HV M - 1SQ. IC86W 11000 V / 50 Hz B3 (IM 1001) - Dimension drawings												
1SQ8 632-6PA90-0CG0	10600	1320	1520	2520	1600	375	200	280	630	3090	2620	o.r.
1SQ8 632-6PA90-0CJ0	10700	1320	1520	2520	1600	630	200	280	630	3090	2870	o.r.
1SQ8 633-6PA90-0CG0	11050	1320	1520	2520	1600	375	200	280	630	3090	2620	o.r.
1SQ8 633-6PA90-0CJ0	11150	1320	1520	2520	1600	630	200	280	630	3090	2870	o.r.
1SQ8 634-6PA90-0CG0	11550	1320	1520	2520	1600	375	200	280	630	3090	2620	o.r.
1SQ8 634-6PA90-0CJ0	11700	1320	1520	2520	1600	630	200	280	630	3090	2870	o.r.
1SQ8 637-6PA90-0CG0	12300	1320	1520	2520	1800	375	200	280	630	3090	2820	o.r.
1SQ8 637-6PA90-0CJ0	12400	1320	1520	2520	1800	630	200	280	630	3090	3070	o.r.
1SQ8 638-6PA90-0CG0	12850	1320	1520	2520	1800	375	200	280	630	3090	2820	o.r.
1SQ8 638-6PA90-0CJ0	12950	1320	1520	2520	1800	630	200	280	630	3090	3070	o.r.
1SQ8 712-6PA90-0CG0	14350	1500	1620	2720	2000	375	220	280	710	3360	3010	o.r.
1SQ8 712-6PA90-0CJ0	14500	1500	1620	2720	2000	630	220	280	710	3360	3260	o.r.
1SQ8 713-6PA90-0CG0	15300	1500	1620	2720	2000	375	220	280	710	3360	3010	o.r.
1SQ8 713-6PA90-0CJ0	15400	1500	1620	2720	2000	630	220	280	710	3360	3260	o.r.
1SQ8 714-6PA90-0CG0	16300	1500	1620	2720	2000	375	220	280	710	3360	3010	o.r.
1SQ8 714-6PA90-0CJ0	16400	1500	1620	2720	2000	630	220	280	710	3360	3260	o.r.
1SQ8 717-6PA90-0CG0	17750	1500	1620	2720	2240	375	220	280	710	3360	3250	o.r.
1SQ8 717-6PA90-0CJ0	17900	1500	1620	2720	2240	630	220	280	710	3360	3500	o.r.
1SQ8 718-6PA90-0CG0	18750	1500	1620	2720	2240	375	220	280	710	3360	3250	o.r.
1SQ8 718-6PA90-0CJ0	18900	1500	1620	2720	2240	630	220	280	710	3360	3500	o.r.
8-pole												
1SQ7 451-8PA90-0AA0	4250	850	1140	1760	1180	250	130	200	450	1940	2290	o.r.
1SQ7 451-8PA90-0AC0	4300	850	1140	1760	1180	500	130	200	450	1940	2540	o.r.



Motor type	Weight	Dimensions										
		A	AD	AE	B	C	D	E	H	HD	L	ML
	kg	mm	mm	mm	mm	mm	mm	mm	mm	mm	mm	mm
Innomotics HV M - 1SQ. IC86W 11000 V / 50 Hz B3 (IM 1001) - Dimension drawings												
1SQ7 451-8PA90-0CA0	4400	850	1140	1760	1180	250	130	200	450	1940	2290	o.r.
1SQ7 451-8PA90-0CC0	4450	850	1140	1760	1180	500	130	200	450	1940	2540	o.r.
1SQ7 452-8PA90-0AA0	4400	850	1140	1760	1180	250	130	200	450	1940	2290	o.r.
1SQ7 452-8PA90-0AC0	4450	850	1140	1760	1180	500	130	200	450	1940	2540	o.r.
1SQ7 452-8PA90-0CA0	4550	850	1140	1760	1180	250	130	200	450	1940	2290	o.r.
1SQ7 452-8PA90-0CC0	4600	850	1140	1760	1180	500	130	200	450	1940	2540	o.r.
1SQ7 453-8PA90-0AA0	4600	850	1140	1760	1180	250	130	200	450	1940	2290	o.r.
1SQ7 453-8PA90-0AC0	4650	850	1140	1760	1180	500	130	200	450	1940	2540	o.r.
1SQ7 453-8PA90-0CA0	4800	850	1140	1760	1180	250	130	200	450	1940	2290	o.r.
1SQ7 453-8PA90-0CC0	4800	850	1140	1760	1180	500	130	200	450	1940	2540	o.r.
1SQ7 454-8PA90-0AA0	4850	850	1140	1760	1180	250	130	200	450	1940	2290	o.r.
1SQ7 454-8PA90-0AC0	4850	850	1140	1760	1180	500	130	200	450	1940	2540	o.r.
1SQ7 454-8PA90-0CA0	5000	850	1140	1760	1180	250	130	200	450	1940	2290	o.r.
1SQ7 454-8PA90-0CC0	5050	850	1140	1760	1180	500	130	200	450	1940	2540	o.r.
1SQ7 457-8PA90-0AA0	5350	850	1140	1760	1400	250	130	200	450	1940	2500	o.r.
1SQ7 457-8PA90-0AC0	5350	850	1140	1760	1400	500	130	200	450	1940	2750	o.r.
1SQ7 457-8PA90-0CA0	5500	850	1140	1760	1400	250	130	200	450	1940	2500	o.r.
1SQ7 457-8PA90-0CC0	5550	850	1140	1760	1400	500	130	200	450	1940	2750	o.r.
1SQ7 458-8PA90-0AA0	5600	850	1140	1760	1400	250	130	200	450	1940	2500	o.r.
1SQ7 458-8PA90-0AC0	5600	850	1140	1760	1400	500	130	200	450	1940	2750	o.r.
1SQ7 458-8PA90-0CA0	5800	850	1140	1760	1400	250	130	200	450	1940	2500	o.r.
1SQ7 458-8PA90-0CC0	5800	850	1140	1760	1400	500	130	200	450	1940	2750	o.r.
1SQ7 502-8PA90-0AA0	5900	950	1220	1920	1320	315	160	240	500	2230	2520	o.r.

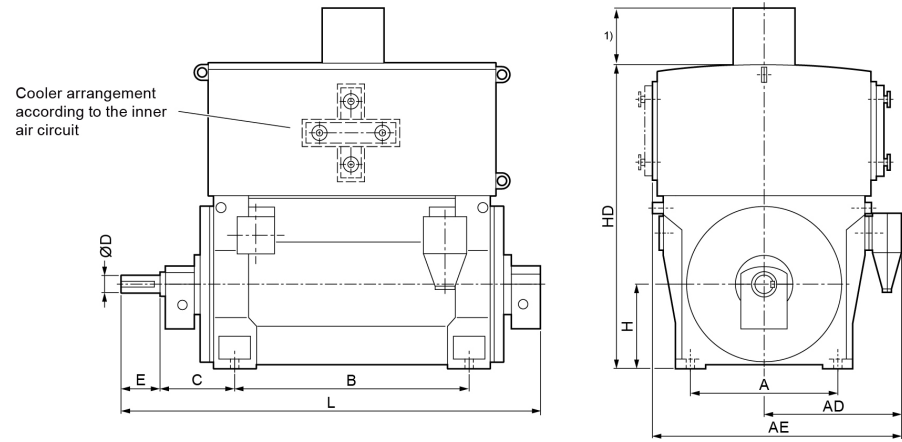


Motor type	Weight	Dimensions											
		A	AD	AE	B	C	D	E	H	HD	L	ML	
	kg	mm	mm	mm	mm	mm	mm	mm	mm	mm	mm	mm	mm
Innomotics HV M - 1SQ. IC86W 11000 V / 50 Hz B3 (IM 1001) - Dimension drawings													
1SQ7 502-8PA90-0AC0	5950	950	1220	1920	1320	560	170	240	500	2230	2760	o.r.	
1SQ7 502-8PA90-0CA0	6100	950	1220	1920	1320	315	160	240	500	2230	2520	o.r.	
1SQ7 502-8PA90-0CC0	6150	950	1220	1920	1320	560	170	240	500	2230	2760	o.r.	
1SQ7 503-8PA90-0AA0	6200	950	1220	1920	1320	315	160	240	500	2230	2520	o.r.	
1SQ7 503-8PA90-0AC0	6250	950	1220	1920	1320	560	170	240	500	2230	2760	o.r.	
1SQ7 503-8PA90-0CA0	6450	950	1220	1920	1320	315	160	240	500	2230	2520	o.r.	
1SQ7 503-8PA90-0CC0	6500	950	1220	1920	1320	560	170	240	500	2230	2760	o.r.	
1SQ7 504-8PA90-0AA0	6500	950	1220	1920	1320	315	160	240	500	2230	2520	o.r.	
1SQ7 504-8PA90-0AC0	6600	950	1220	1920	1320	560	170	240	500	2230	2760	o.r.	
1SQ7 504-8PA90-0CA0	6750	950	1220	1920	1320	315	160	240	500	2230	2520	o.r.	
1SQ7 504-8PA90-0CC0	6800	950	1220	1920	1320	560	170	240	500	2230	2760	o.r.	
1SQ7 507-8PA90-0AA0	7200	950	1220	1920	1500	315	160	240	500	2230	2730	o.r.	
1SQ7 507-8PA90-0AC0	7250	950	1220	1920	1500	560	170	240	500	2230	2970	o.r.	
1SQ7 507-8PA90-0CA0	7450	950	1220	1920	1500	315	160	240	500	2230	2730	o.r.	
1SQ7 507-8PA90-0CC0	7500	950	1220	1920	1500	560	170	240	500	2230	2970	o.r.	
1SQ7 508-8PA90-0AA0	7500	950	1220	1920	1500	315	160	240	500	2230	2730	o.r.	
1SQ7 508-8PA90-0AC0	7550	950	1220	1920	1500	560	170	240	500	2230	2970	o.r.	
1SQ7 508-8PA90-0CA0	7750	950	1220	1920	1500	315	160	240	500	2230	2730	o.r.	
1SQ7 508-8PA90-0CC0	7850	950	1220	1920	1500	560	170	240	500	2230	2970	o.r.	
1SQ7 563-8PA90-0CA0	8800	1060	1290	2060	1400	335	190	280	560	2680	2770	o.r.	
1SQ7 563-8PA90-0CC0	8900	1060	1290	2060	1400	600	190	280	560	2680	3030	o.r.	
1SQ7 564-8PA90-0CA0	9250	1060	1290	2060	1400	335	190	280	560	2680	2770	o.r.	
1SQ7 564-8PA90-0CC0	9300	1060	1290	2060	1400	600	190	280	560	2680	3030	o.r.	



Motor type	Weight	Dimensions											
		A	AD	AE	B	C	D	E	H	HD	L	ML	
	kg	mm	mm	mm	mm	mm	mm	mm	mm	mm	mm	mm	mm
Innomotics HV M - 1SQ. IC86W 11000 V / 50 Hz B3 (IM 1001) - Dimension drawings													
1SQ7 567-8PA90-0CA0	10100	1060	1290	2060	1600	335	190	280	560	2680	3000	o.r.	
1SQ7 567-8PA90-0CC0	10200	1060	1290	2060	1600	600	190	280	560	2680	3260	o.r.	
1SQ7 568-8PA90-0CA0	10600	1060	1290	2060	1600	335	190	280	560	2680	3000	o.r.	
1SQ7 568-8PA90-0CC0	10700	1060	1290	2060	1600	600	190	280	560	2680	3260	o.r.	
1SQ8 633-8PA90-0CG0	9900	1320	1520	2520	1600	375	200	280	630	3090	2620	o.r.	
1SQ8 633-8PA90-0CJ0	10000	1320	1520	2520	1600	630	200	280	630	3090	2870	o.r.	
1SQ8 634-8PA90-0CG0	10600	1320	1520	2520	1600	375	200	280	630	3090	2620	o.r.	
1SQ8 634-8PA90-0CJ0	10700	1320	1520	2520	1600	630	200	280	630	3090	2870	o.r.	
1SQ8 637-8PA90-0CG0	11800	1320	1520	2520	1800	375	200	280	630	3090	2820	o.r.	
1SQ8 637-8PA90-0CJ0	11900	1320	1520	2520	1800	630	200	280	630	3090	3070	o.r.	
1SQ8 638-8PA90-0CG0	12500	1320	1520	2520	1800	375	200	280	630	3090	2820	o.r.	
1SQ8 638-8PA90-0CJ0	12600	1320	1520	2520	1800	630	200	280	630	3090	3070	o.r.	
1SQ8 712-8PA90-0CG0	13750	1500	1620	2720	2000	375	220	280	710	3270	3010	o.r.	
1SQ8 712-8PA90-0CJ0	13950	1500	1620	2720	2000	630	220	280	710	3270	3260	o.r.	
1SQ8 713-8PA90-0CG0	14600	1500	1620	2720	2000	375	220	280	710	3270	3010	o.r.	
1SQ8 713-8PA90-0CJ0	14800	1500	1620	2720	2000	630	220	280	710	3270	3260	o.r.	
1SQ8 714-8PA90-0CG0	15700	1500	1620	2720	2000	375	220	280	710	3270	3010	o.r.	
1SQ8 714-8PA90-0CJ0	15900	1500	1620	2720	2000	630	220	280	710	3270	3260	o.r.	
1SQ8 717-8PA90-0CG0	17350	1500	1620	2720	2240	375	220	280	710	3270	3250	o.r.	
1SQ8 717-8PA90-0CJ0	17550	1500	1620	2720	2240	630	220	280	710	3270	3500	o.r.	
1SQ8 718-8PA90-0CG0	18350	1500	1620	2720	2240	375	220	280	710	3270	3250	o.r.	
1SQ8 718-8PA90-0CJ0	18550	1500	1620	2720	2240	630	220	280	710	3270	3500	o.r.	

Innomotics HV M - 1SQ. IC86W 13800 V / 60 Hz B3 (IM 1001)																		
Rated power IEC	Article No.	Speed	Rated current I_R	Efficiency				Power factor				Torque T_R	Breakdown torque T_B/ T_R	Locked torque T_{LR}/ T_R	rotor Locked current I_{LR}/ I_R	Inertia		
				5/4 load	4/4 load	3/4 load	2/4 load	5/4 load	4/4 load	3/4 load	2/4 load					T_R	T_B/ T_R	T_{LR}/ T_R
kW		rpm	A	%	%	%	%	$\cos \varphi$	$\cos \varphi$	$\cos \varphi$	$\cos \varphi$	Nm	[-]	[-]	[-]	kgm ²	kgm ²	[-]
2-pole: $n_{sync} = 3600$ rpm at 60 Hz																		
6600	1SQ8 633-2PA20-0CJ0	3585	315	96.6	96.8	96.5	95.6	0.88	0.90	0.89	0.87	17580	2.20	0.55	5.4	82	200	o.r.
8050	1SQ8 637-2PA20-0CJ0	3587	380	96.9	97.1	96.7	95.8	0.90	0.91	0.90	0.87	21431	2.60	0.65	6.0	98	200	o.r.
10750	1SQ8 714-2PA20-0CJ0	3588	520	96.9	96.9	96.5	95.5	0.89	0.90	0.90	0.88	28611	2.30	0.60	5.8	173	110	o.r.
12550	1SQ8 717-2PA20-0CJ0	3589	590	97.1	97.1	96.8	95.9	0.90	0.91	0.91	0.89	33392	2.45	0.60	6.0	202	110	o.r.
4-pole: $n_{sync} = 1800$ rpm at 60 Hz																		
5850	1SQ8 633-4PA20-0C.0	1792	280	96.8	97.2	97.3	96.9	0.89	0.90	0.89	0.85	31174	2.40	0.55	5.9	151	550	o.r.
7200	1SQ8 637-4PA20-0C.0	1793	345	97.1	97.4	97.4	97.0	0.89	0.90	0.88	0.84	38346	2.55	0.60	6.0	181	660	o.r.
9250	1SQ8 713-4PA20-0C.0	1793	440	97.1	97.4	97.4	97.0	0.89	0.90	0.89	0.84	49264	2.60	0.50	6.0	282	690	o.r.
11050	1SQ8 717-4PA20-0C.0	1793	530	97.3	97.5	97.6	97.2	0.89	0.90	0.90	0.86	58851	2.55	0.45	6.0	342	780	o.r.
6-pole: $n_{sync} = 1200$ rpm at 60 Hz																		
4950	1SQ8 633-6PA20-0C.0	1193	245	96.5	97.0	97.1	96.8	0.85	0.87	0.84	0.77	39622	2.30	0.55	5.5	209	1400	o.r.
6050	1SQ8 637-6PA20-0C.0	1194	300	96.8	97.1	97.2	96.8	0.86	0.87	0.83	0.76	48386	2.50	0.60	5.5	246	1900	o.r.
8650	1SQ8 714-6PA20-0C.0	1195	425	97.2	97.5	97.6	97.3	0.86	0.87	0.85	0.78	69123	2.40	0.50	5.5	422	1910	o.r.
9550	1SQ8 717-6PA20-0C.0	1195	470	97.3	97.5	97.6	97.2	0.86	0.87	0.84	0.77	76314	2.45	0.50	5.5	474	2060	o.r.



Motor type	Weight	Dimensions										
		A	AD	AE	B	C	D	E	H	HD	L	ML
	kg	mm	mm	mm	mm	mm	mm	mm	mm	mm	mm	mm
Innomotics HV M - 1SQ. IC86W 13800 V / 60 Hz B3 (IM 1001) - Dimension drawings												
2-pole												
1SQ8 633-2PA20-0CJ0	9750	1320	1647	2647	1600	560	160	240	630	3150	2760	o.r.
1SQ8 637-2PA20-0CJ0	11050	1320	1647	2647	1800	560	160	240	630	3150	2960	o.r.
1SQ8 714-2PA20-0CJ0	14450	1500	1747	2847	2000	560	180	240	710	3410	3150	o.r.
1SQ8 717-2PA20-0CJ0	16150	1500	1747	2847	2240	560	180	240	710	3410	3390	o.r.
4-pole												
1SQ8 633-4PA20-0CG0	10450	1320	1647	2647	1600	375	200	280	630	3150	2620	o.r.
1SQ8 633-4PA20-0CJ0	10550	1320	1647	2647	1600	630	200	280	630	3150	2870	o.r.
1SQ8 637-4PA20-0CG0	11800	1320	1647	2647	1800	375	200	280	630	3150	2820	o.r.
1SQ8 637-4PA20-0CJ0	11900	1320	1647	2647	1800	630	200	280	630	3150	3070	o.r.
1SQ8 713-4PA20-0CG0	14900	1500	1747	2847	2000	375	220	280	710	3410	3010	o.r.
1SQ8 713-4PA20-0CJ0	15050	1500	1747	2847	2000	630	220	280	710	3410	3260	o.r.
1SQ8 717-4PA20-0CG0	16800	1500	1747	2847	2240	375	220	280	710	3410	3250	o.r.
1SQ8 717-4PA20-0CJ0	16950	1500	1747	2847	2240	630	220	280	710	3410	3500	o.r.
6-pole												
1SQ8 633-6PA20-0CG0	10900	1320	1647	2647	1600	375	200	280	630	3150	2620	o.r.
1SQ8 633-6PA20-0CJ0	11000	1320	1647	2647	1600	630	200	280	630	3150	2870	o.r.
1SQ8 637-6PA20-0CG0	12150	1320	1647	2647	1800	375	200	280	630	3150	2820	o.r.
1SQ8 637-6PA20-0CJ0	12300	1320	1647	2647	1800	630	200	280	630	3150	3070	o.r.
1SQ8 714-6PA20-0CG0	16200	1500	1747	2847	2000	375	220	280	710	3410	3010	o.r.
1SQ8 714-6PA20-0CJ0	16350	1500	1747	2847	2000	630	220	280	710	3410	3260	o.r.
1SQ8 717-6PA20-0CG0	17500	1500	1747	2847	2240	375	220	280	710	3410	3250	o.r.
1SQ8 717-6PA20-0CJ0	17650	1500	1747	2847	2240	630	220	280	710	3410	3500	o.r.

INNOMOTICS

Published by
Innomotics GmbH

Innomotics GmbH
Vogelweiherstr. 1-15
90441 Nuremberg
Germany

Innomotics High Voltage Motors:
[innomotics.com/high-voltage-motors](https://www.innomotics.com/high-voltage-motors)

Innomotics Customer Services:
[innomotics.com/services](https://www.innomotics.com/services)

Produced in Germany
© Innomotics 2024

Subject to changes and errors. The information given in this document only contains general descriptions and/or performance features which may not always specifically reflect those described, or which may undergo modification in the course of further development of the products. The requested performance features are binding only when they are expressly agreed upon in the concluded contract.

All product designations may be trademarks or product names of Innomotics GmbH or other companies whose use by third parties for their own purposes could violate the rights of the owners.

Security information

Innomotics provides products and solutions with industrial security functions that support the secure operation of plants, systems, machines and networks. In order to protect plants, systems, machines and networks against cyber threats, it is necessary to implement – and continuously maintain – a holistic, state-of-the-art industrial security concept. Innomotics' products and solutions constitute one element of such a concept. Customers are responsible for preventing unauthorized access to their plants, systems, machines and networks. Such systems, machines and components should only be connected to an enterprise network or the internet if and to the extent such a connection is necessary and only when appropriate security measures (e.g. firewalls and/or network segmentation) are in place. For additional information on industrial security measures that may be implemented, please visit

www.innomotics.com/cybersecurity

Innomotics' products and solutions undergo continuous development to make them more secure. Innomotics strongly recommends that product updates are applied as soon as they are available and that the latest product versions are used. Use of product versions that are no longer supported, and failure to apply the latest updates may increase customer's exposure to cyber threats.